



**Count on it.**

**Parts Catalog**

**TimeCutter® SW 4200**

**Riding Mower**

Model No. 74785—Serial No. 40000000 and Up



# Ordering Replacement Parts

To order replacement parts, please supply the part number, the quantity, and the description of each part desired.

## Understanding Reference Numbers

Each identified part in an illustration has a reference number. The reference number for a part also appears in the parts list, along with other information about the part.

This catalog uses two special reference number formats, one to indicate parts in a service assembly and another to indicate the quantity of a given part in an illustration.

## Service Assembly Reference Numbers

Parts in service assemblies have reference numbers in the form a:b. The a represents the reference number of the entire service assembly and the b represents a sequential number unique to each part within the service assembly.

For example, a wheel assembly might be identified by reference number 6, the tire by 6:1, the valve by 6:2, and the wheel by 6:3. When you order the assembly identified by reference number 6, you receive all parts identified by reference numbers 6:1, 6:2, and 6:3. However, you may also order any part individually. Reference numbers of this type appear in illustration and in parts lists.

## Reference Numbers Indicating Quantity

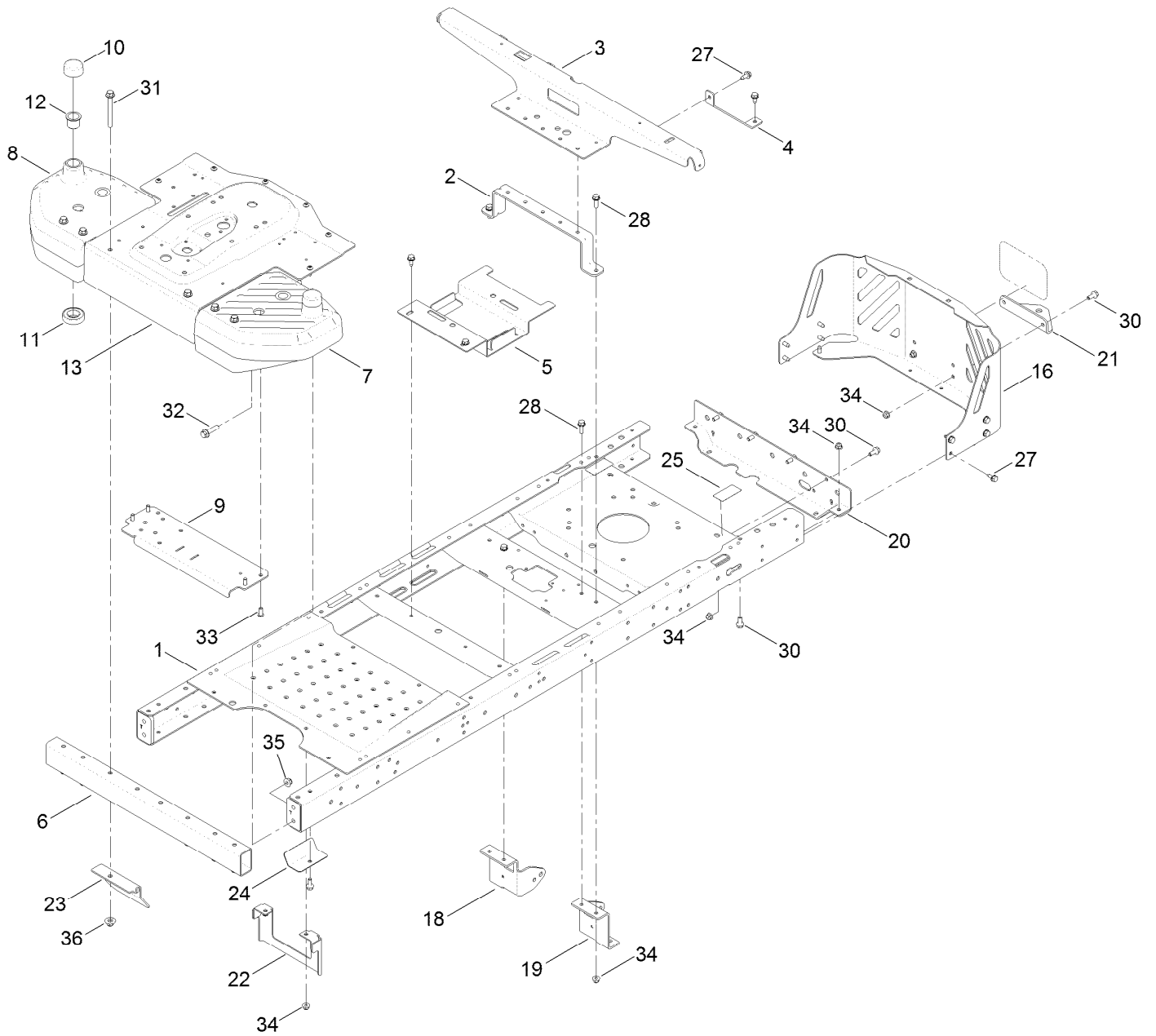
In an illustration, if a reference number indicates more than one part, the reference number has the form nX y. The n represents the quantity of the part, the X is the multiplication symbol, and the y represents the reference number.

For example, in an illustration, the reference number 2X 37 means that two of the parts identified by reference number 37 are indicated.

# Contents

Frame Assembly . . . . .	4
Deck Lift Assembly . . . . .	6
Caster Wheel Assembly . . . . .	8
Traction Drive Assembly . . . . .	10
Left Hand Hydro Transaxle Assembly No. 119-3330 . . . . .	12
Right Hand Hydro Transaxle Assembly No. 119-3331 . . . . .	14
Brake Assembly . . . . .	16
Tire Assembly No. 131-3671 . . . . .	18
Seat Assembly . . . . .	20
Motion Control Assembly . . . . .	22
Engine and Muffler Assembly . . . . .	24
Body Styling and Fuel Tank Assembly . . . . .	26
Battery and Electrical Assembly . . . . .	28
42 Inch Deck Assembly . . . . .	30
42 Inch Deck Decal Assembly No. 131-3604 . . . . .	32
Model Specific Decal Assembly . . . . .	34
Steering Column Assembly . . . . .	36
Steering Gear and Cable Assembly . . . . .	38
Speed Control, HOC and Service Decal Assembly . . . . .	40
Clutch Assembly . . . . .	42
Attachments and Accessories . . . . .	44

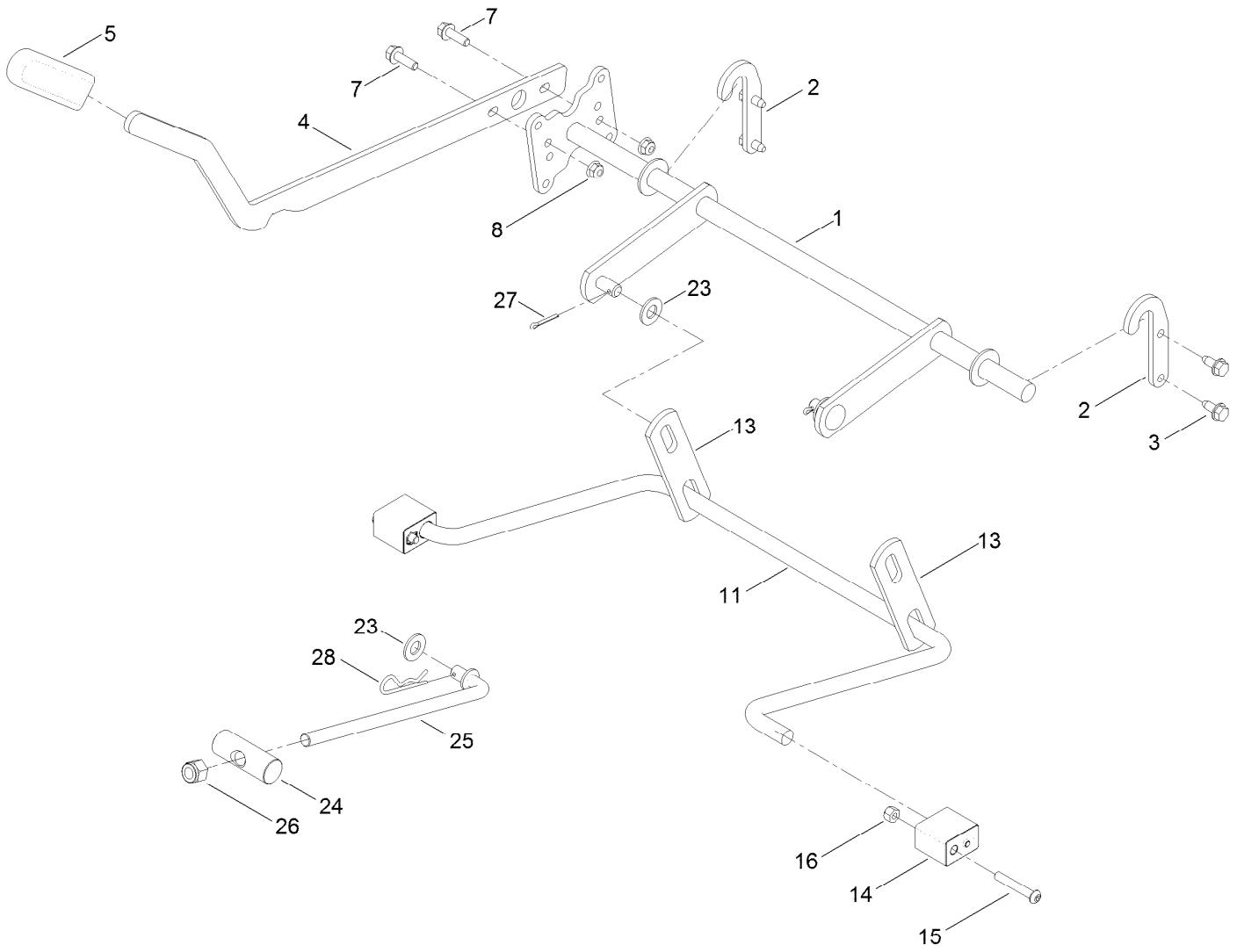
# Frame Assembly



## Frame Assembly (continued)

<i>Ref.</i>	<i>Part Number</i>	<i>Qty.</i>	<i>Description</i>	<i>Ref.</i>	<i>Part Number</i>	<i>Qty.</i>	<i>Description</i>
1	130-0804-01	1	Frame ASM	20	130-6950-01	1	Crossmember-Rear, Narrow
2	119-3435-03	1	Brace-Seat, Rear (Narrow)	21	117-1232-03	1	Bracket-Hitch
3	131-1040-03	1	Support-Pod	22	132-0941-03	1	Bracket-Upstop
4	119-3431-03	2	Support-Tank, Rear	23	132-0868-03	1	Guard-Front
5	131-0914-03	1	Bracket-Battery	24	132-0901-03	1	Plate-Guard
6	130-6902-03	1	Tube-Front, Narrow	25	121-2989	2	Decal-Bypass
7	130-0748-05	1	Housing-Spindle, LH	27	32144-70	16	Screw-HWHTF
8	130-0746-05	1	Housing-Spindle, RH	28	3234-29	4	Screw-HHF
9	130-6983-03	1	Plate-Bridge, Narrow	30	3234-47	9	Screw-HHF
10	130-7015	2	Cap-Caster	31	115-7660	6	Screw-HHF
11	109-3678	2	Bearing-Ball	32	114-4681	4	Screw-HHF
12	126-1963	2	Bushing-Pivot	33	3274-55	10	Screw-HSBH
13	132-9345-05	1	Pan-Steer, Front	34	104-8300	19	Nut-HF, NI
16	127-3353-03	1	Guard-Engine, Narrow	35	104-8301	4	Nut-HF, NI
18	131-0901-01	1	Mount-Hydro, Front (RH)	36	109-6658	6	Nut-Flange, NI
19	131-0902-01	1	Mount-Hydro, Front (LH)				

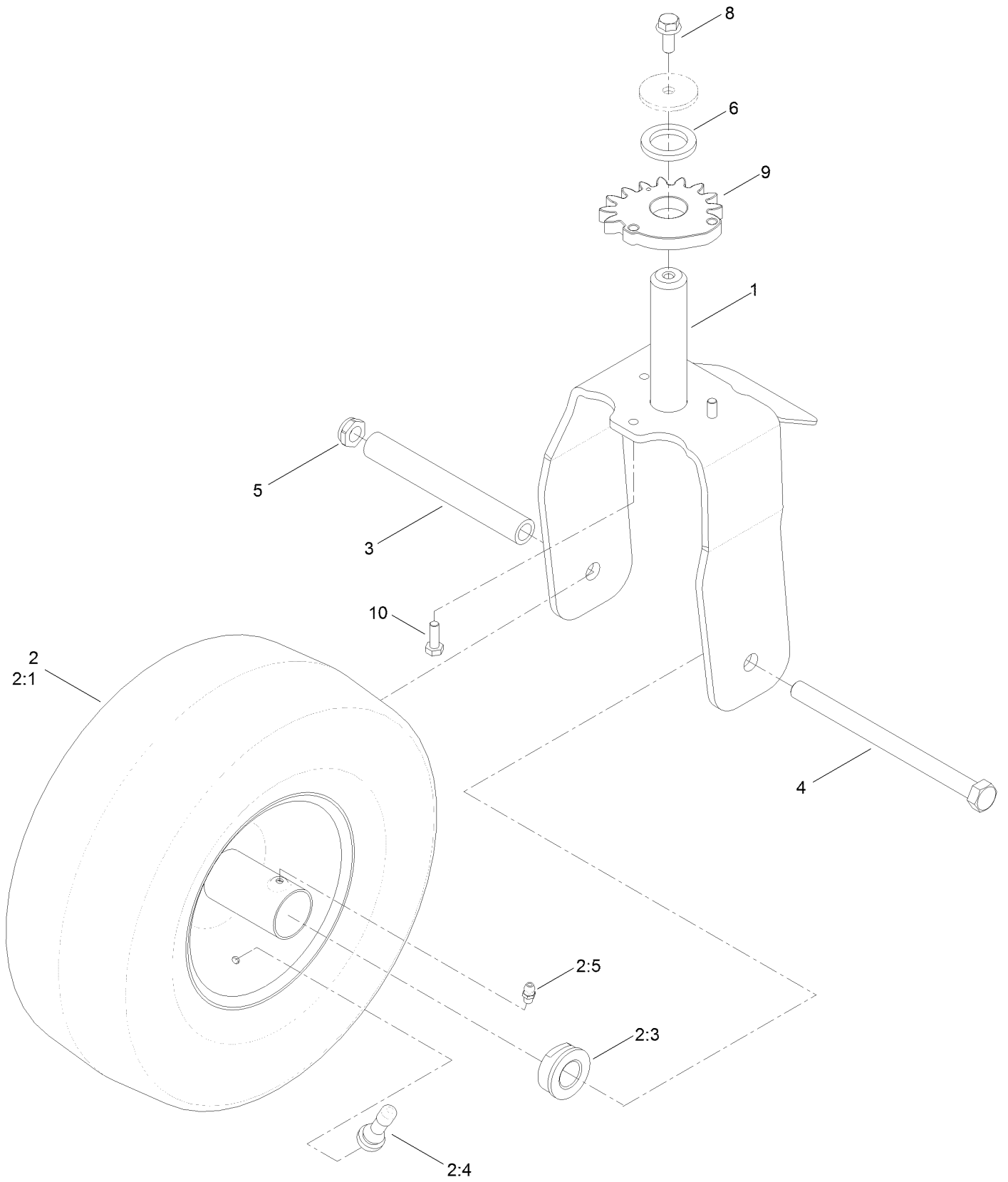
# Deck Lift Assembly



## Deck Lift Assembly (continued)

<i>Ref.</i>	<i>Part Number</i>	<i>Qty.</i>	<i>Description</i>	<i>Ref.</i>	<i>Part Number</i>	<i>Qty.</i>	<i>Description</i>
1	132-6872-03	1	Lift-Deck, Narrow	14	108-7845	2	Block-Pivot
2	119-8875	2	Bracket-Lift	15	120-5499	2	Screw-HSBH
3	32144-70	4	Screw-HWHTF	16	3296-29	2	Nut-Lock, NI
4	119-3427-03	1	Lever-Lift	23	3256-26	3	Washer-Flat
5	1-633268	1	Grip-Lever	24	119-8810	1	Pin-Pivot
7	3234-29	2	Screw-HHF	25	133-4319	1	Rod-Mount, Deck
8	104-8300	2	Nut-HF, NI	26	3296-19	1	Nut-Hex
11	108-7839	1	Arm-Lift, Rear	27	3272-11	2	Pin-Cotter
13	108-7840	2	Link-Lift	28	1-806005	1	Pin-Cotter

# Caster Wheel Assembly



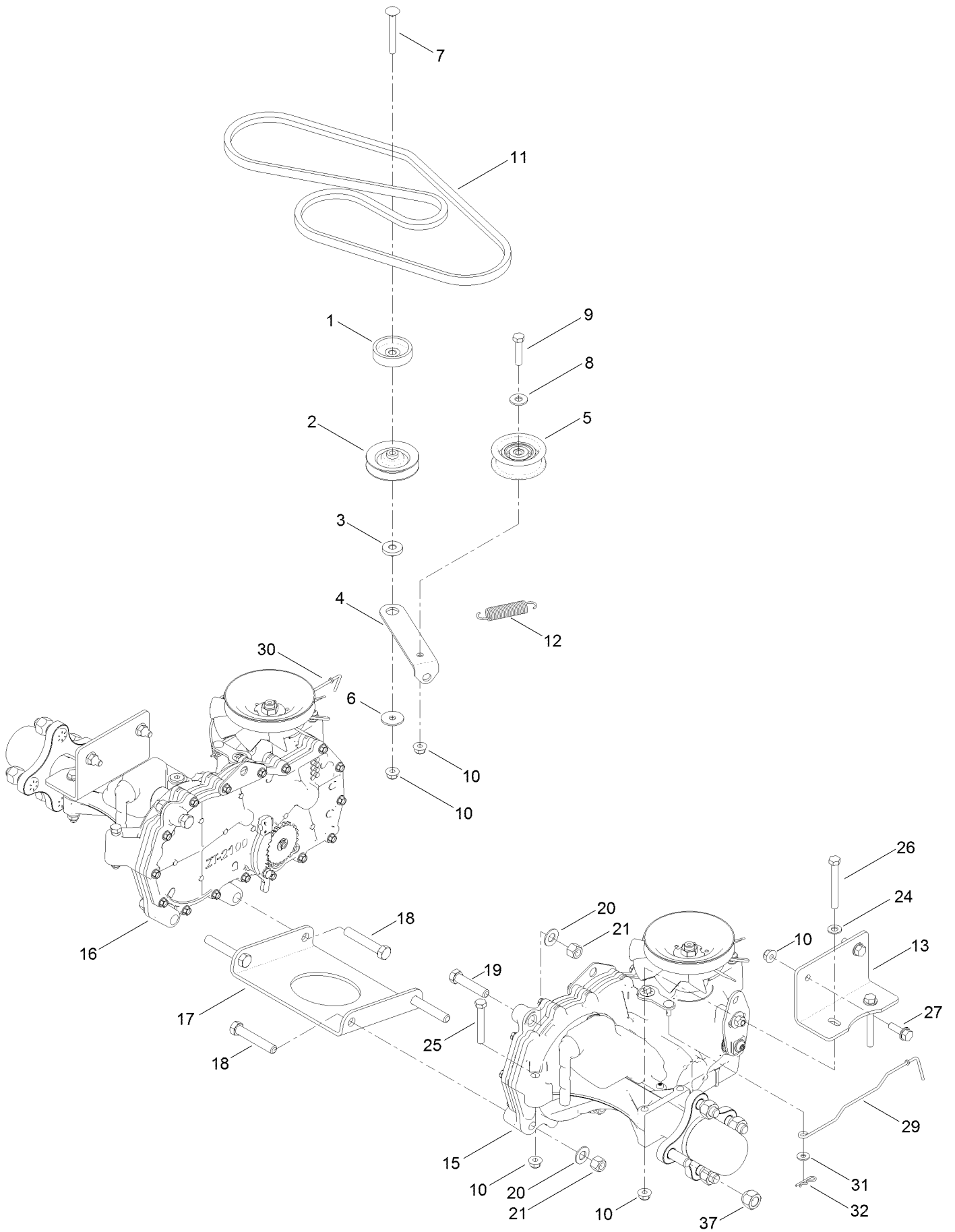


## Caster Wheel Assembly (continued)

<i>Ref.</i>	<i>Part Number</i>	<i>Qty.</i>	<i>Description</i>	<i>Ref.</i>	<i>Part Number</i>	<i>Qty.</i>	<i>Description</i>
1	130-0670-03	2	Caster Fork ASM	3	119-3475	2	Spanner
2	119-3473	2	13 Inch Wheel And Tire ASM	4	325-37	2	Screw-HH
2:1	119-3471	1	Tire-13 Inch	5	3296-45	2	Nut-Lock, NI
2:3	114-1640	2	Bushing-Flange	6	117-7394	2	Washer-Thrust
2:4	232-27	1	Stem-Valve	8	3234-47	2	Screw-HHF
2:5	302-5	1	Fitting-Grease	9	130-0689	2	Gear-Wheel, 15 Tooth
2:99	232-46	1	Tube-Inner ●	10	321-4	4	Screw-HH

● Not illustrated

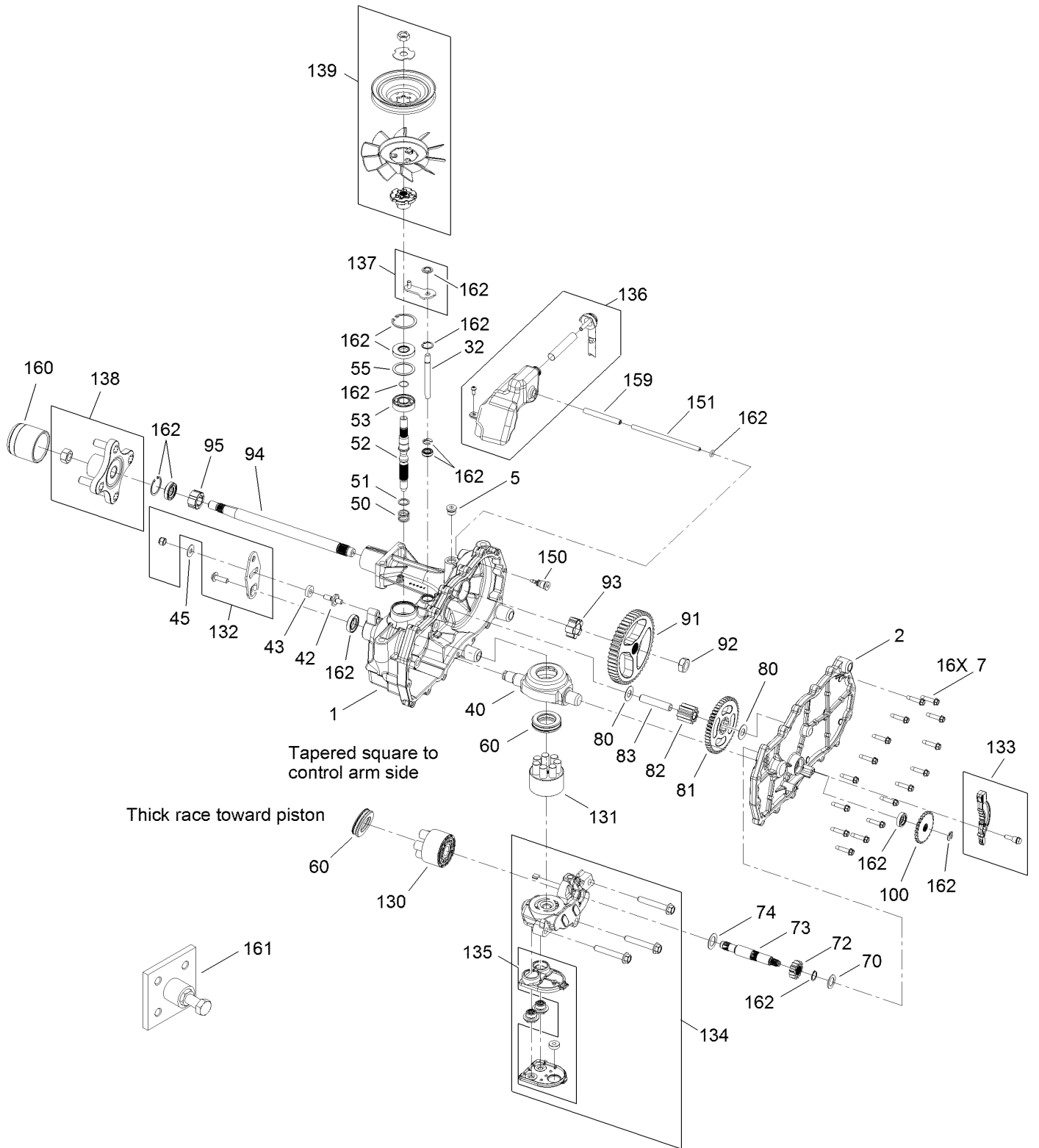
# Traction Drive Assembly



## Traction Drive Assembly (continued)

<i>Ref.</i>	<i>Part Number</i>	<i>Qty.</i>	<i>Description</i>	<i>Ref.</i>	<i>Part Number</i>	<i>Qty.</i>	<i>Description</i>
1	119-3353	1	Spacer	17	119-3339-03	1	Plate-Cross, Hydro
2	119-8822	1	Pulley-Idler	18	324-10	4	Screw-HH
3	119-3327	1	Spacer-Arm, Idler	19	324-8	2	Screw-HH
4	119-3326	1	Arm-Idler	20	3256-25	6	Washer-Flat
5	106-2176	1	Pulley-Idler	21	3296-48	6	Nut-Lock, NI
6	5-4460	1	Washer-Pivot	24	3256-23	6	Washer-Plain
7	3230-8	1	Screw-CARR	25	322-11	4	Screw-HH
8	3256-3	1	Washer-Flat	26	322-13	4	Screw-HH
9	322-7	1	Screw-HH	27	3234-29	4	Screw-HHF
10	104-8300	14	Nut-HF, NI	29	131-0900	1	Rod-Bypass, LH
11	130-6975	1	V-Belt	30	130-7049	1	Rod-Bypass, RH
12	104-6415	1	Spring-Return, Pedal	31	119-8952	2	Washer
13	117-7264-03	2	Mount-Hydro	32	3290-307	2	Pin-Cotter
15	119-3330	1	LH Hydro Transaxle ASM	37	242-50	8	Nut-Lug
16	119-3331	1	RH Hydro Transaxle ASM				

# Left Hand Hydro Transaxle Assembly No. 119-3330

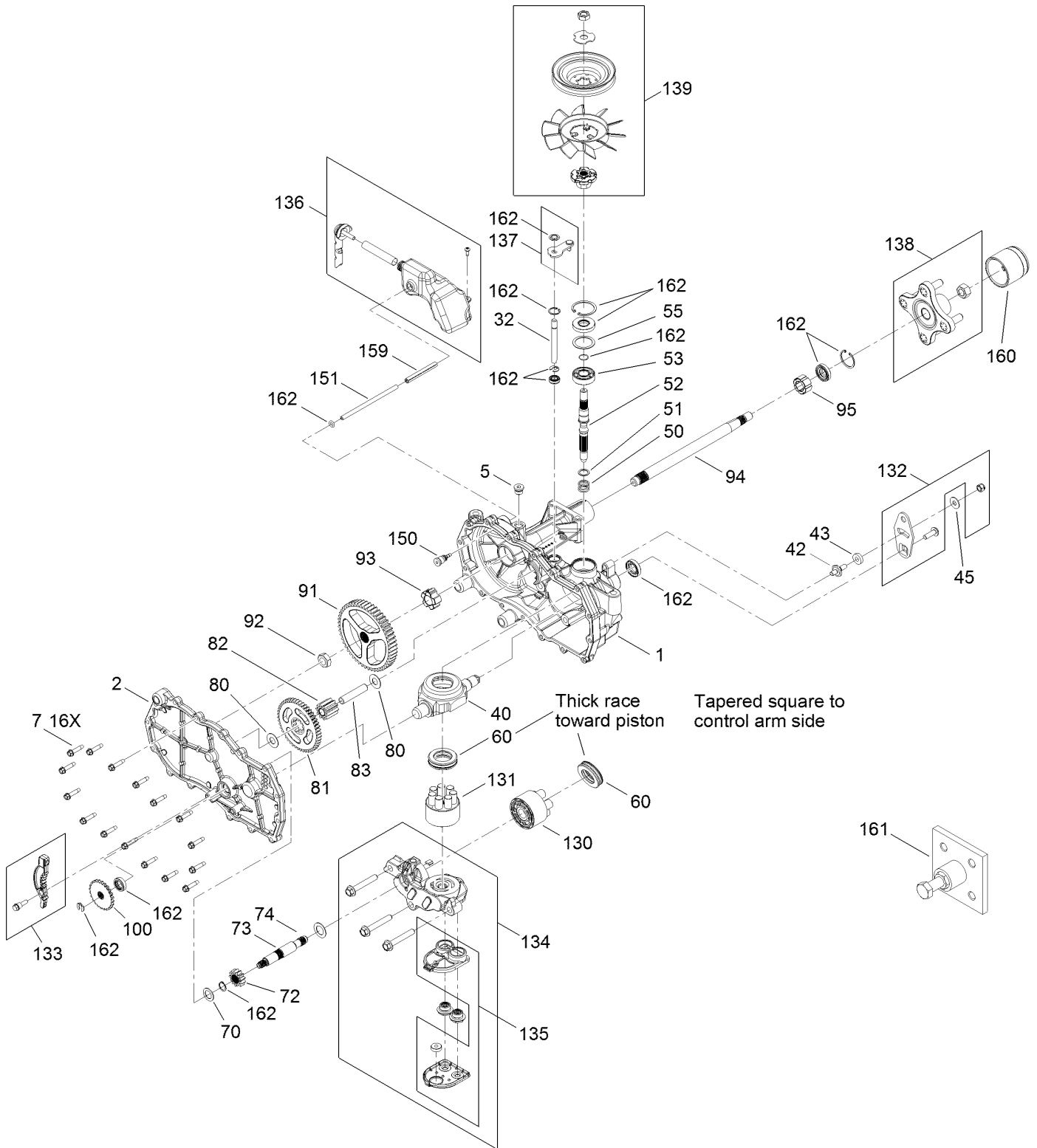


# Left Hand Hydro Transaxle Assembly No. 119-3330 (continued)

<i>Ref.</i>	<i>Part Number</i>	<i>Qty.</i>	<i>Description</i>	<i>Ref.</i>	<i>Part Number</i>	<i>Qty.</i>	<i>Description</i>
1	120-5532	1	Main Housing ASM	83	104-5329	1	Pin-Jackshaft
2	120-5534	1	Housing Side Kit	91	120-5539	1	Gear-Bull
5	104-2189	1	Plug-Thread, Straight	92	104-2142	1	Nut-HJ
7	117-5359	16	Screw-HHF	93	115-8314	1	Bushing-Inboard
13	104-2147	1	Sealant ●	94	120-5540	1	Shaft-Axle
32	106-8678	2	Rod-Bypass	95	120-5541	1	Bearing-Sleeve
40	104-5304	1	Swashplate-Trunnion	100	106-8694	1	Disc-Brake, Cog
42	104-2116	1	Stud	130	103-2666	1	Cylinder Block Kit
43	112-9853	1	Puck-Friction	131	110-8561	1	Pump Block ASM
45	114-8491	1	Washer	132	117-5362	1	Control Arm Kit
50	120-5537	1	Spring-Compression	133	106-8688	1	Brake Arm Kit
51	120-5538	1	Washer	134	112-9861	1	Center Section Filter Kit
52	104-5306	1	Shaft-Input	135	114-1634	1	Filter Kit
53	104-5311	1	Bearing-Ball	136	121-5730	1	RH Expansion Tank Kit
55	104-5308	1	Spacer	137	120-5549	1	Bypass Kit
60	94-6922	1	Bearing-Thrust	138	121-5731	1	Hub Kit
70	104-5339	1	Washer-Flat	139	121-5729	1	Fan Pulley Kit
72	104-5316	1	Gear-Pinion, 13T	150	104-5349	1	Fitting-SAE
73	106-8683	1	Shaft-Motor	151	115-8302	1	Hose
74	104-5360	1	Washer	159	121-5728	1	Case-Tube
80	119-5541	2	Washer	160	125-0041	1	Cap-Axle
81	104-5317	1	Gear-10T/48T	161	114-8467	1	Puller-Hub, 4 Bolt
82	104-5318	1	Gear-Jackshaft, 10T	162	120-7103	1	Seal And Ring Kit

● Not illustrated

# Right Hand Hydro Transaxle Assembly No. 119-3331

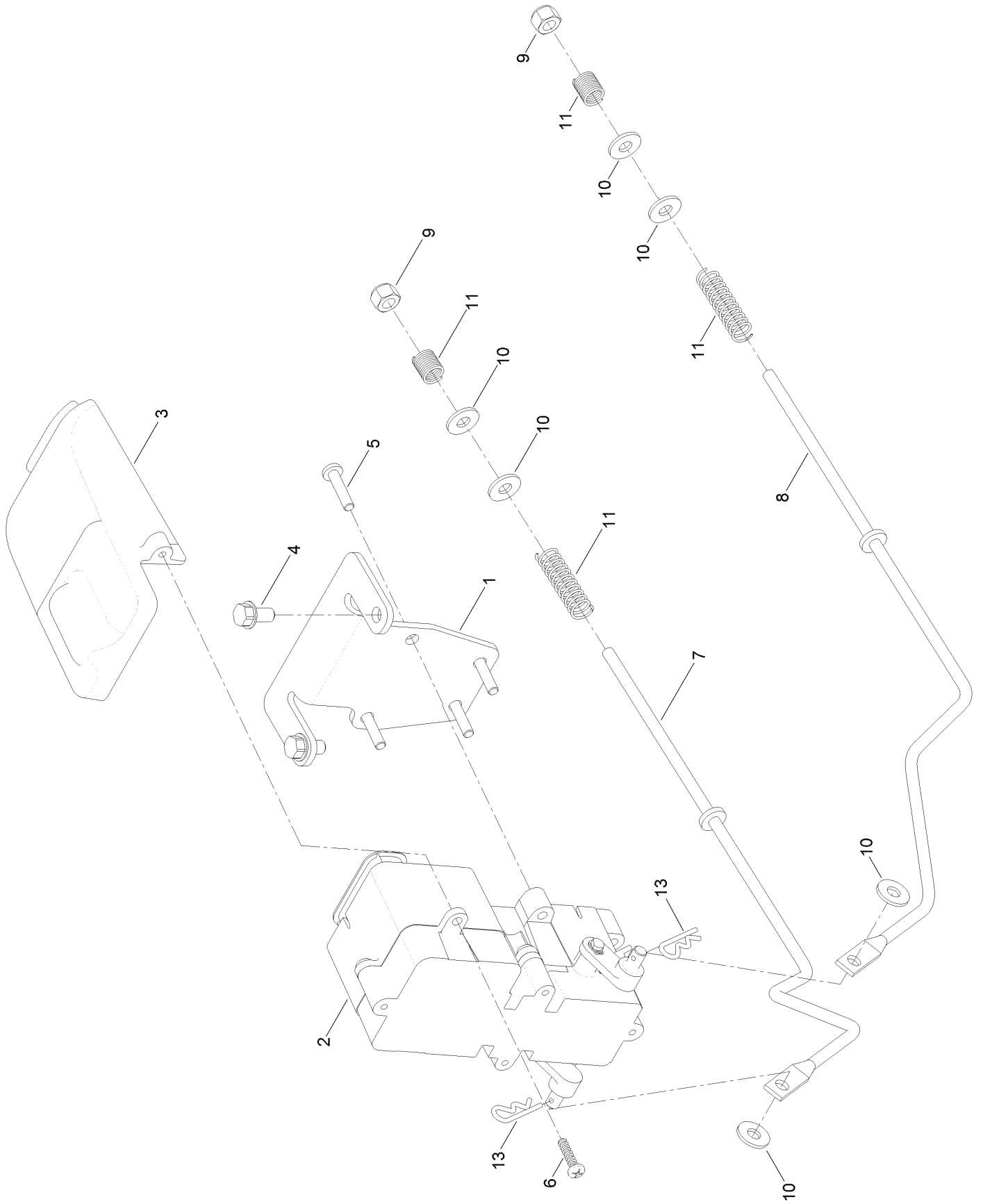


# Right Hand Hydro Transaxle Assembly No. 119-3331 (continued)

<i>Ref.</i>	<i>Part Number</i>	<i>Qty.</i>	<i>Description</i>	<i>Ref.</i>	<i>Part Number</i>	<i>Qty.</i>	<i>Description</i>
1	120-5531	1	Main Housing ASM	83	104-5329	1	Pin-Jackshaft
2	120-5533	1	Housing Side Kit	91	120-5539	1	Gear-Bull
5	104-2189	1	Plug-Thread, Straight	92	104-2142	1	Nut-HJ
7	117-5359	16	Screw-HHF	93	115-8314	1	Bushing-Inboard
13	104-2147	1	Sealant ●	94	120-5540	1	Shaft-Axle
32	106-8678	2	Rod-Bypass	95	120-5541	1	Bearing-Sleeve
40	104-5304	1	Swashplate-Trunnion	100	106-8694	1	Disc-Brake, Cog
42	104-2116	1	Stud	130	103-2666	1	Cylinder Block Kit
43	112-9853	1	Puck-Friction	131	110-8561	1	Pump Block ASM
45	114-8491	1	Washer	132	117-5362	1	Control Arm Kit
50	120-5537	1	Spring-Compression	133	106-8688	1	Brake Arm Kit
51	120-5538	1	Washer	134	112-9862	1	Center Section Filter Kit
52	104-5306	1	Shaft-Input	135	114-1634	1	Filter Kit
53	104-5311	1	Bearing-Ball	136	121-5735	1	LH Expansion Tank Kit
55	104-5308	1	Spacer	137	107-2489	1	Bypass Arm Kit
60	94-6922	1	Bearing-Thrust	138	121-5731	1	Hub Kit
70	104-5339	1	Washer-Flat	139	121-5729	1	Fan Pulley Kit
72	104-5316	1	Gear-Pinion, 13T	150	104-5349	1	Fitting-SAE
73	106-8683	1	Shaft-Motor	151	115-8302	1	Hose
74	104-5360	1	Washer	159	121-5728	1	Case-Tube
80	119-5541	2	Washer	160	125-0041	1	Cap-Axle
81	104-5317	1	Gear-10T/48T	161	114-8467	1	Puller-Hub, 4 Bolt
82	104-5318	1	Gear-Jackshaft, 10T	162	120-7103	1	Seal And Ring Kit

● Not illustrated

# Brake Assembly

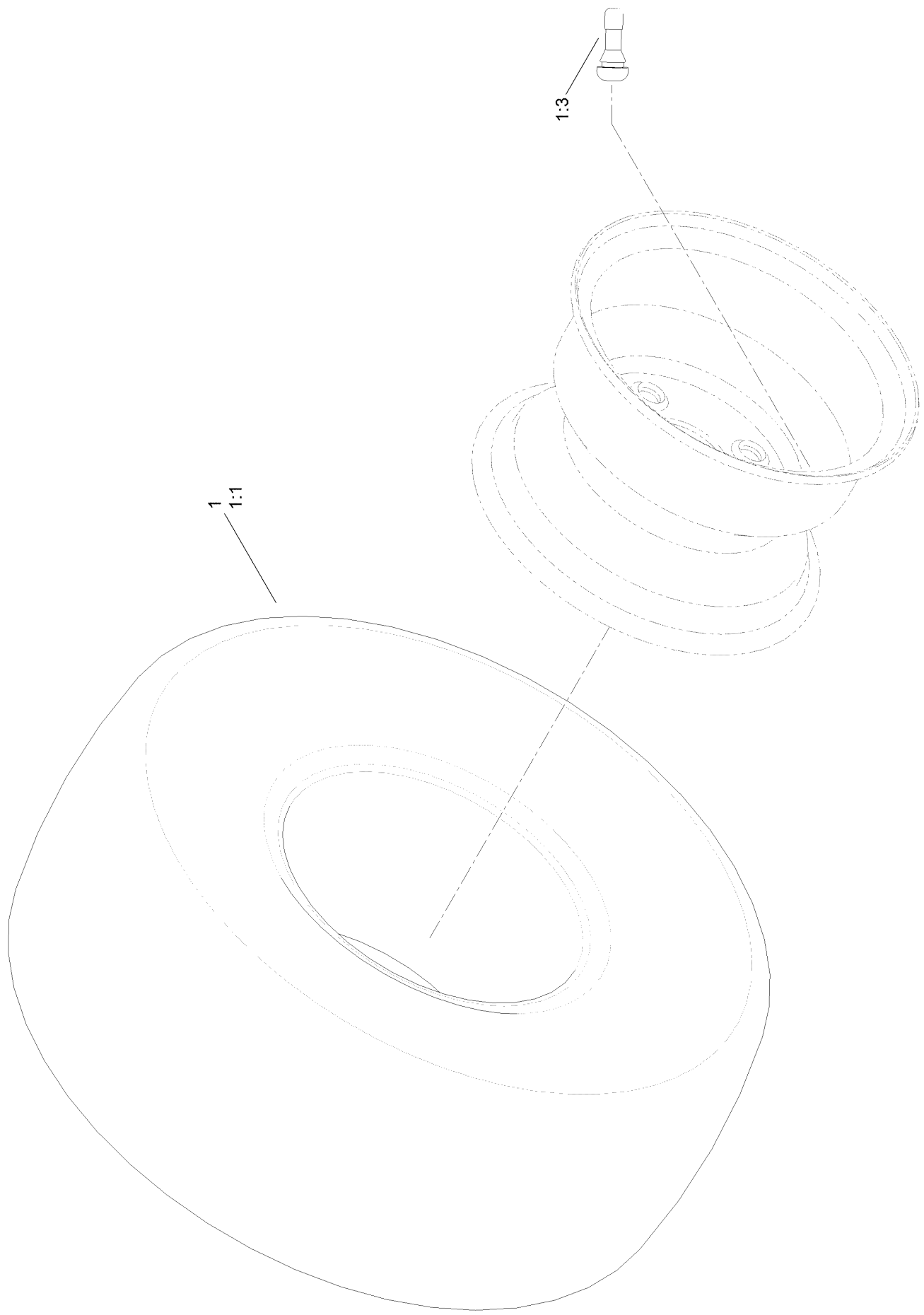




## Brake Assembly (continued)

<i>Ref.</i>	<i>Part Number</i>	<i>Qty.</i>	<i>Description</i>	<i>Ref.</i>	<i>Part Number</i>	<i>Qty.</i>	<i>Description</i>
1	130-0790-03	1	Bracket-Mount, Brake	7	121-2974	1	Rod-Brake, RH
2	130-0795	1	Brake Box ASM	8	121-2975	1	Rod-Brake, LH
3	132-6949	1	Cover-Connector	9	3296-42	2	Nut-Lock, NI
4	32144-4	2	Screw-HWH	10	119-8952	6	Washer
5	32144-36	4	Screw-PPH	11	117-1169	4	Spring-Compression
6	94-4496	2	Screw-PPH	13	3290-307	2	Pin-Cotter

# Tire Assembly No. 131-3671

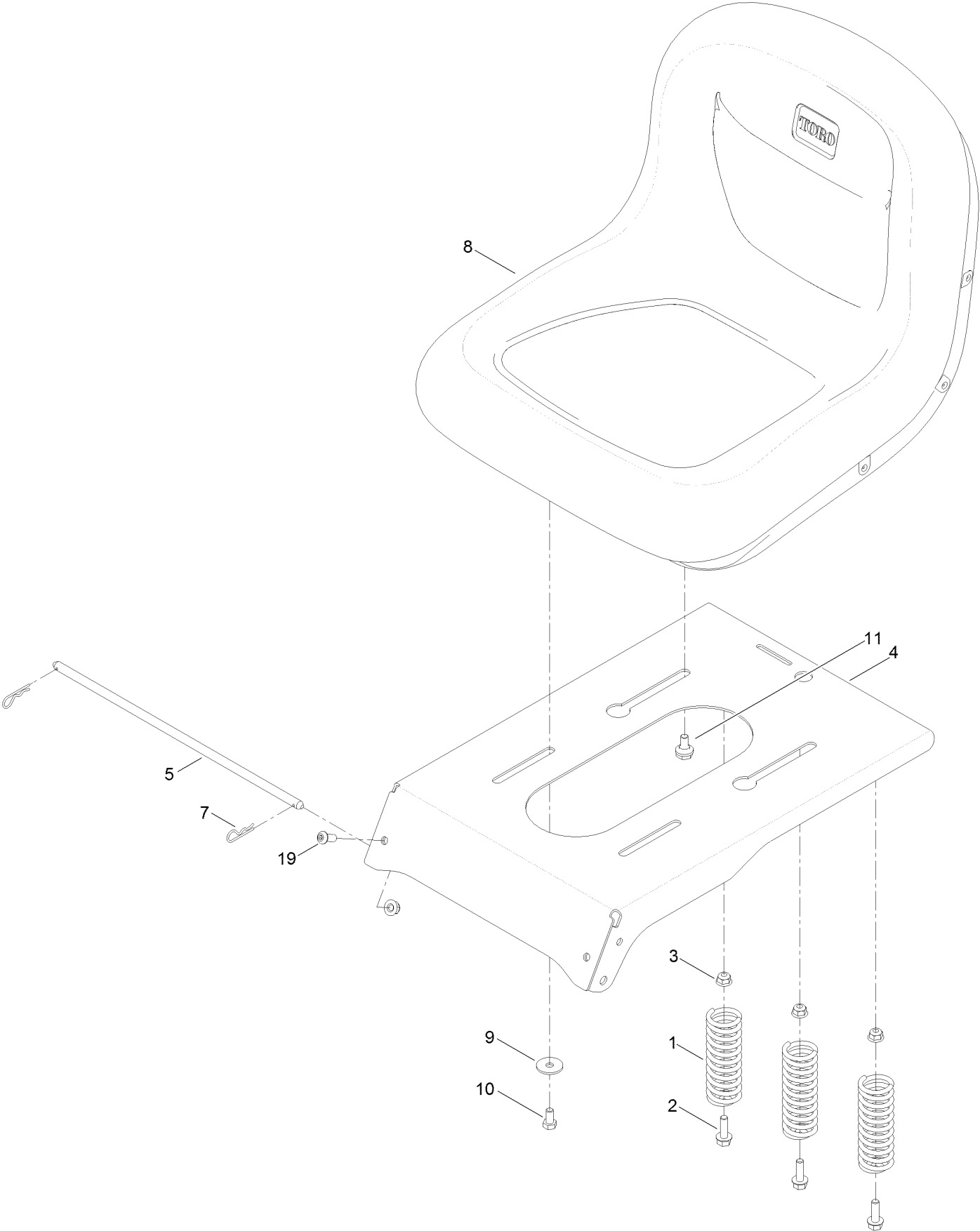


## Tire Assembly No. 131-3671 (continued)

<i>Ref.</i>	<i>Part Number</i>	<i>Qty.</i>	<i>Description</i>	<i>Ref.</i>	<i>Part Number</i>	<i>Qty.</i>	<i>Description</i>
1	131-3671	2	2 Ply Wheel And Tire ASM	1:3	232-27	1	Stem-Valve
1:1	131-3678	1	Tire-2 Ply	1:99	107-2491	1	Tube-Tire ●

● Not illustrated

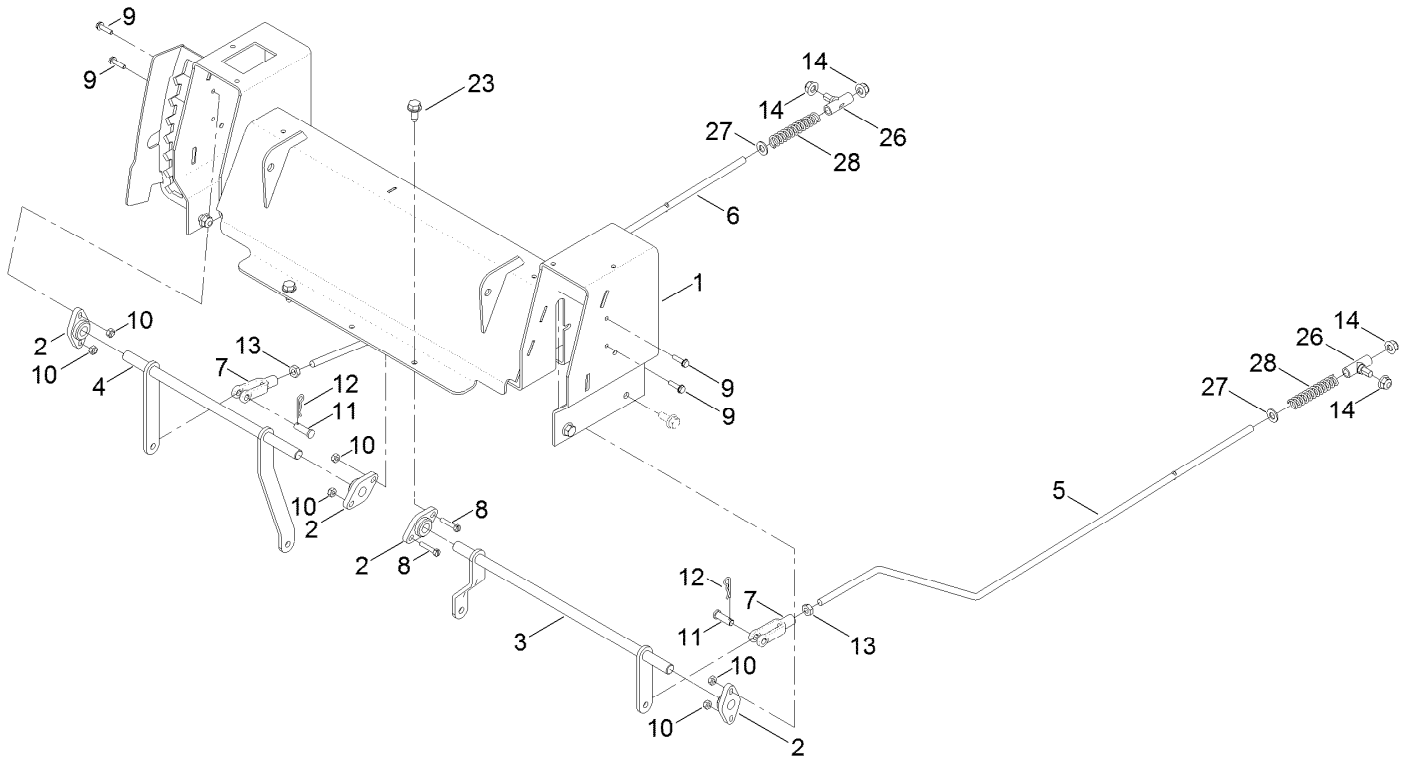
# Seat Assembly



## Seat Assembly (continued)

<i>Ref.</i>	<i>Part Number</i>	<i>Qty.</i>	<i>Description</i>	<i>Ref.</i>	<i>Part Number</i>	<i>Qty.</i>	<i>Description</i>
1	92-7054	3	Spring-Compression	8	119-8828	1	Seat-15 Inch
2	3234-29	3	Screw-HHF	9	5-4460	2	Washer-Pivot
3	104-8300	5	Nut-HF, NI	10	322-2	2	Screw-HH
4	131-4037-01	1	Pan-Seat	11	37-8771	2	Bolt-Shoulder
5	119-3433	1	Rod-Pivot, Narrow	19	3274-55	2	Screw-HSBH
7	3290-250	2	Pin-Cotter				

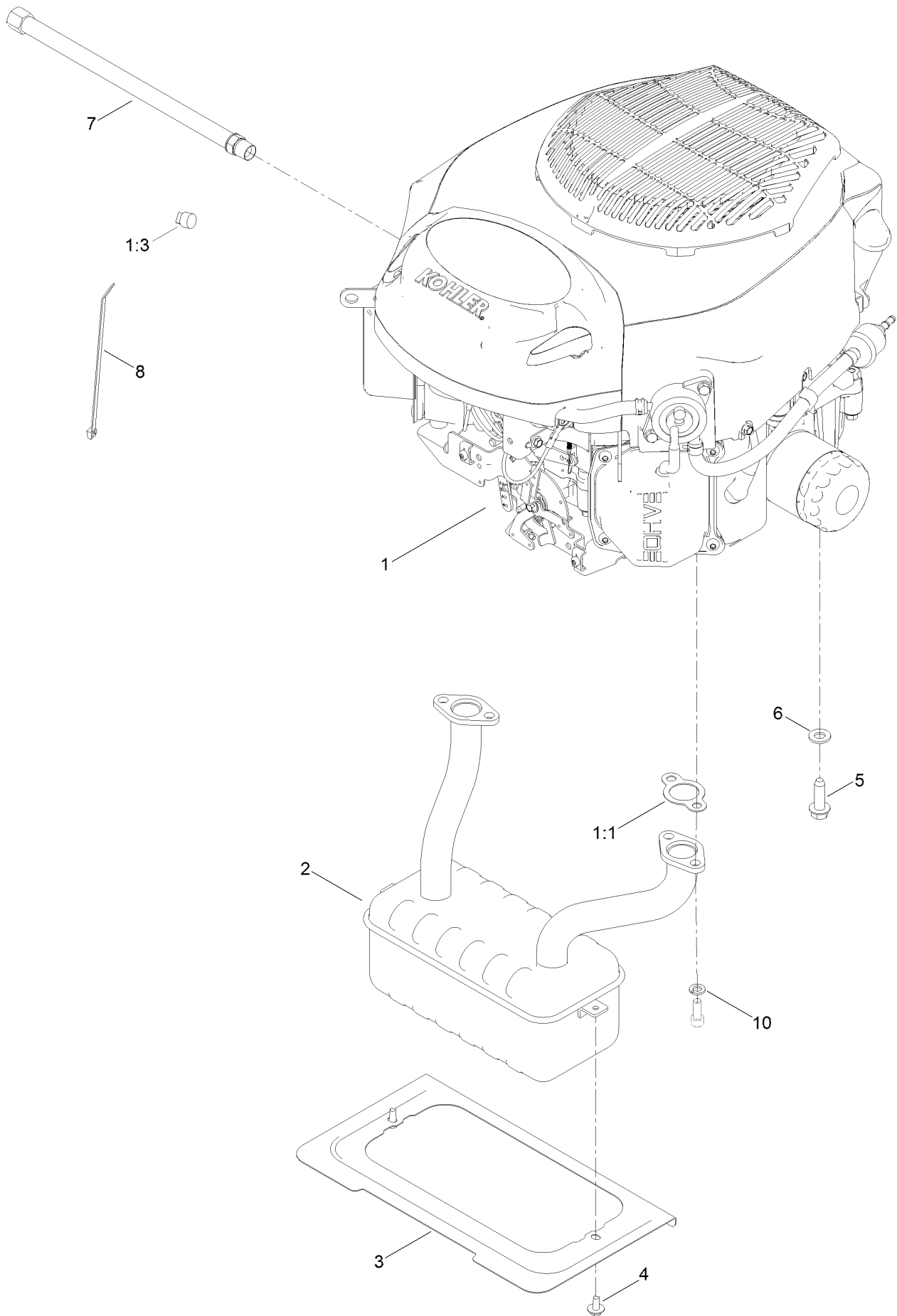
# Motion Control Assembly



## Motion Control Assembly (continued)

<i>Ref.</i>	<i>Part Number</i>	<i>Qty.</i>	<i>Description</i>	<i>Ref.</i>	<i>Part Number</i>	<i>Qty.</i>	<i>Description</i>
1	130-6898-03	1	Control Box ASM	11	1-808280	2	Pin-Clevis
2	127-0146	4	Bearing-Flange	12	1-806003	2	Pin-Cotter
3	132-6884	1	Bellcrank-LH	13	3220-2	2	Nut-Jam
4	132-6890	1	Bellcrank-RH	13	3234-47	6	Screw-HHF
5	125-1812	1	Rod-Hydro, LH	14	104-8300	10	Nut-HF, NI
6	127-3378	1	Rod-Hydro, RH	23	32144-70	2	Screw-HWHTF
7	1-303105	2	Yoke-Adjustable	26	119-8842	2	Mount-Rod, Hydro
8	32105-12	2	Screw	27	3256-23	2	Washer-Plain
9	3290-126	4	Screw-HWH	28	1-603807	2	Spring-Return, Neutral
10	3296-2	6	Nut-Lock, NI				

# Engine and Muffler Assembly





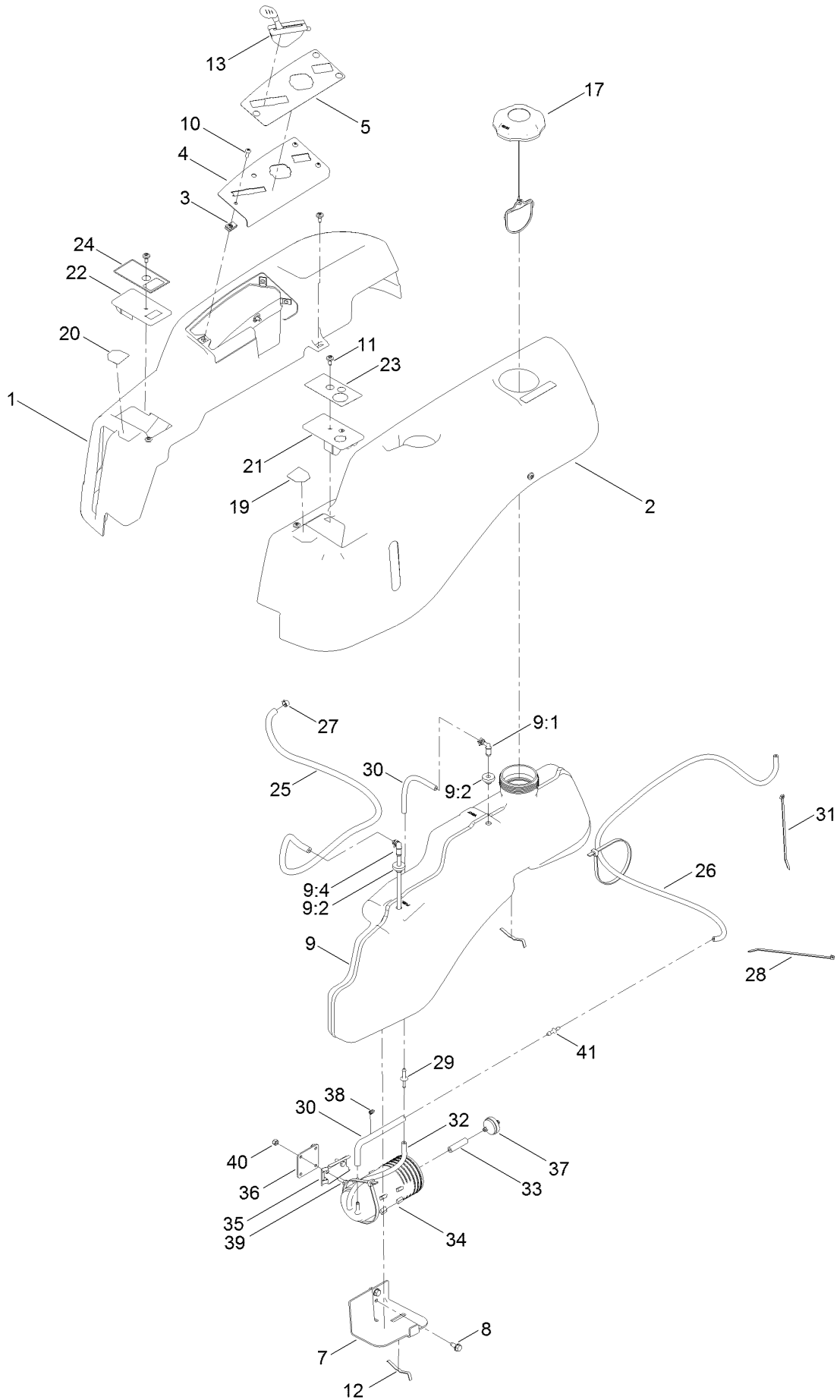
## Engine and Muffler Assembly (continued)

<i>Ref.</i>	<i>Part Number</i>	<i>Qty.</i>	<i>Description</i>	<i>Ref.</i>	<i>Part Number</i>	<i>Qty.</i>	<i>Description</i>
1		1	Engine-Kohler 22 HP 7000 Series Carb ●■	4	46-8560	2	Screw-HHFTF
1:1	110-6697	2	Gasket-Exhaust	5	32144-109	4	Screw-Taptite
1:3	281-2	1	Plug-Pipe, SQH	6	3256-24	3	Washer-Flat
2	130-0676	1	Muffler	7	117-1261	1	Hose-Drain, Oil
3	131-1071-03	1	Shield-Heat	8	614249	1	Tie-Cable
				10	3253-4	4	Washer-Lock

● Not serviced separately

■ Obtain parts from [www.kohlerplus.com](http://www.kohlerplus.com)

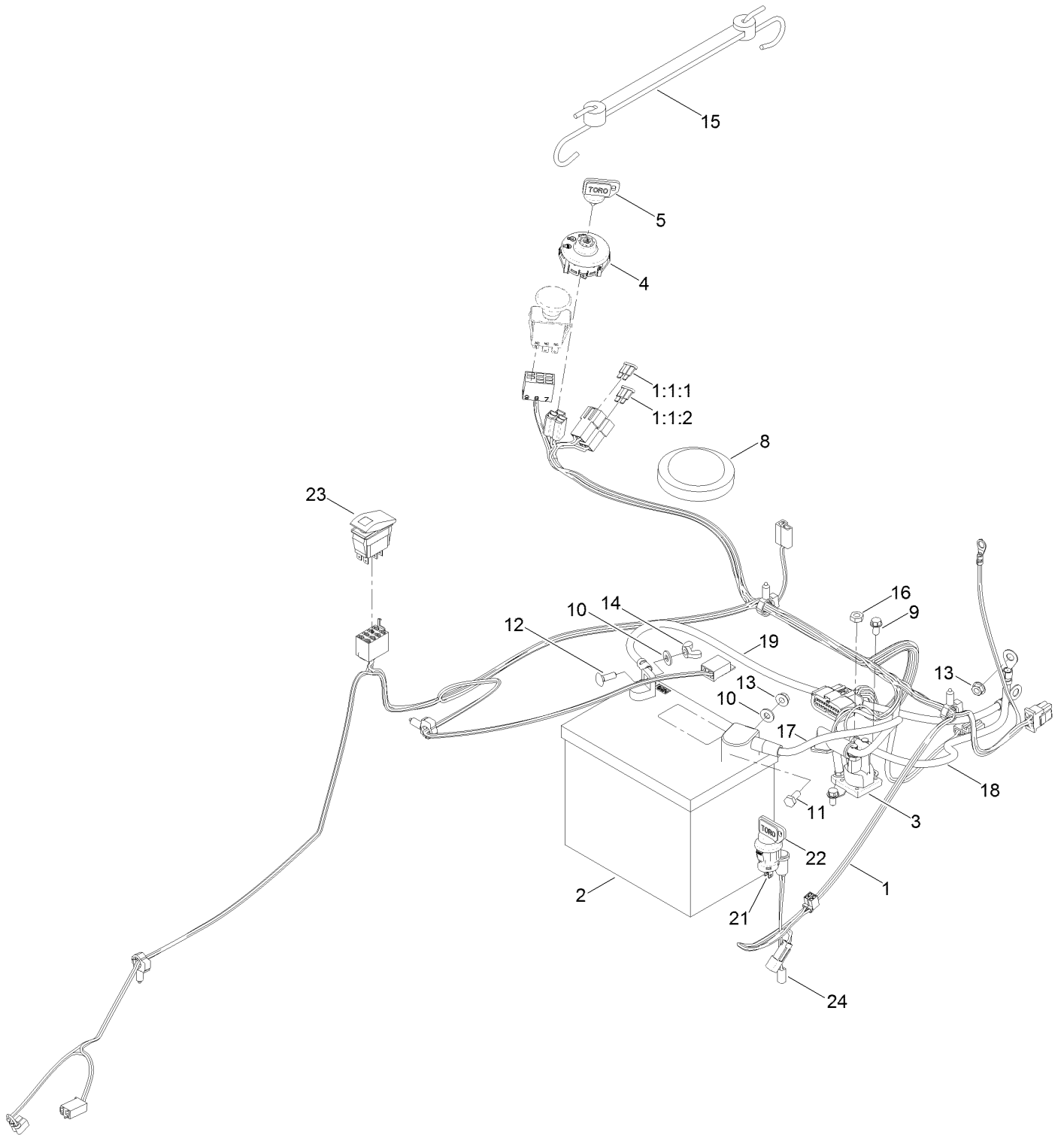
# Body Styling and Fuel Tank Assembly



## Body Styling and Fuel Tank Assembly (continued)

<i>Ref.</i>	<i>Part Number</i>	<i>Qty.</i>	<i>Description</i>	<i>Ref.</i>	<i>Part Number</i>	<i>Qty.</i>	<i>Description</i>
1	119-3335	1	Pod-RH	23	131-3665	1	Decal-Keychoice
2	119-3334	1	Pod-LH	24	131-3955	1	Decal-Brake, Parking
3	107069	3	Clip	25	109-0273	1	Hose-Fuel
4	119-3378-03	1	Plate-Control	26	132-0918	1	Hose-Fuel
5	131-4161	1	Decal-Panel, Control	27	2412-98	3	Clamp-Hose
7	119-3476-03	1	Support-Tank, Front	28	614249	2	Tie-Cable
8	32144-70	2	Screw-HWHTF	29	117-5399	1	Adaptor-Orifice
9	119-3324	1	Fuel Tank ASM	30	110-1876	2	Hose-Fuel
9:1	121-0793	1	Connector-Elbow, 90 DEG	31	3334-945	3	Tie-Cable
9:2	46-6560	2	Bushing	32	121-3003	1	Hose-Fuel
9:4	117-7400	1	Fitting-Plastic	33	99-9415	1	Hose-Fuel
10	3258-166	3	Screw-PRH	34	117-1221	1	Canister-Carbon, 800Cc
11	120-7950	8	Screw-Shoulder	35	114-0292	1	Bracket-Canister, Carbon
12	609830	2	Spring	36	119-8992-03	1	Plate-Adapter
13	121-5674	1	Cable-Throttle (45.0 In)	37	115-7854	1	Filter-Fuel, Inline
17	120-5461	1	Cap-Fuel, Ratcheting	38	120-2038	1	Cartridge-Valve, Check
19	131-3621	1	Decal-Nmir	39	321-4	2	Screw-HH
20	131-3620	1	Decal-Control, Pedal	40	3296-42	2	Nut-Lock, NI
21	130-7042	1	Cover-LH	41	106-8150	1	Fitting-Straight
22	130-7041	1	Cover-RH				

# Battery and Electrical Assembly



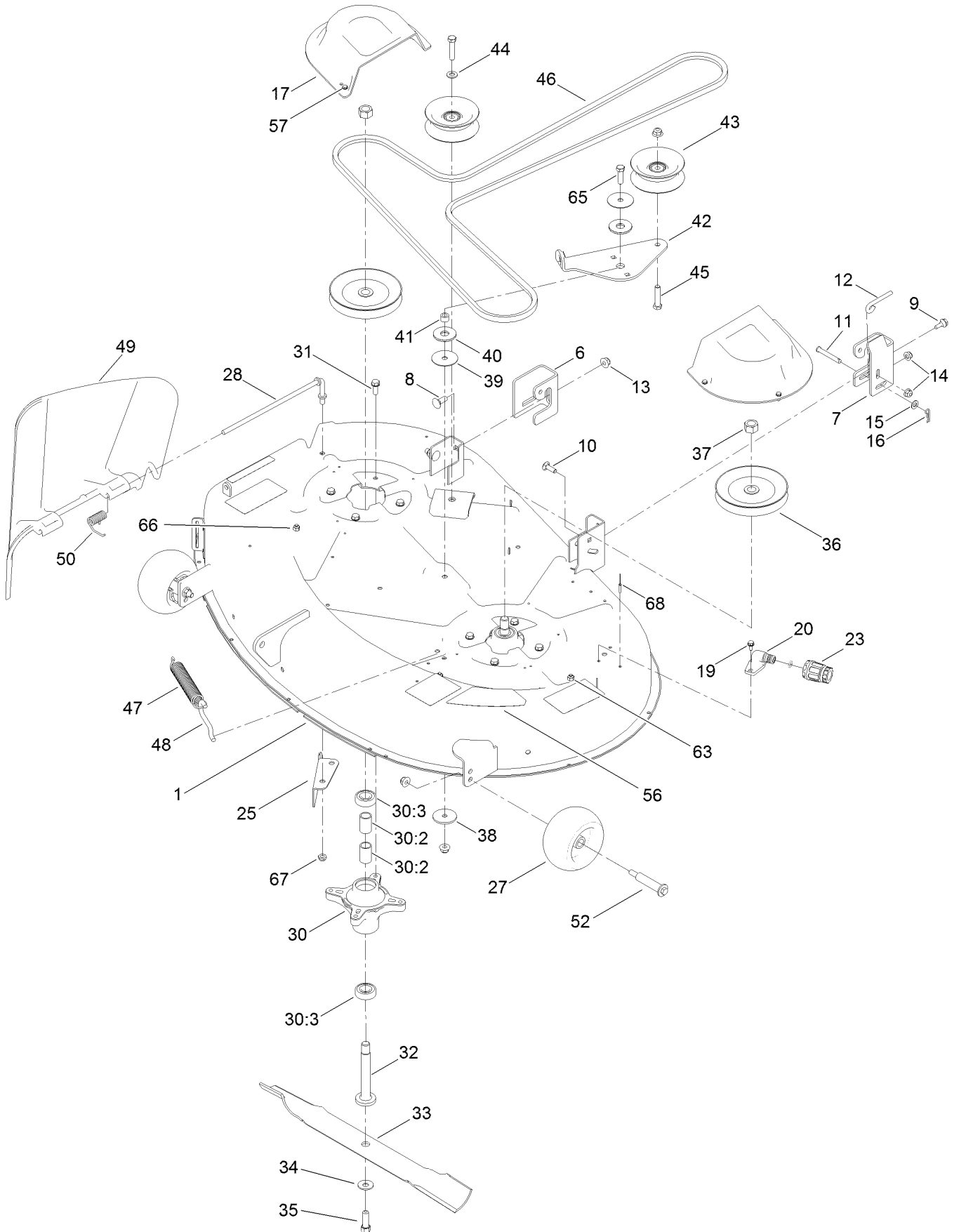
## Battery and Electrical Assembly (continued)

<i>Ref.</i>	<i>Part Number</i>	<i>Qty.</i>	<i>Description</i>	<i>Ref.</i>	<i>Part Number</i>	<i>Qty.</i>	<i>Description</i>
1	136-7483	1	Harness-Wire	13	32128-33	2	Nut-HF
1:1		1	Harness-Wire ●■	14	32103-22	1	Nut-Wing
1:1:1	109103	1	Fuse-Blade, 30 Amp	15	104-2466	1	Holddown-Battery
1:1:2	109102	1	Fuse-Blade, 25 Amp	16	3220-2	2	Nut-Jam
2	105-1692	1	Battery	17	119-8897	1	Cable-Battery, Red
3	117-1197	1	Solenoid	18	121-0711	1	Cable-Battery, Positive
4	117-2221	1	Switch-Ignition	19	121-5726	1	Cable-Battery, Black
5	63-8360	1	Key-Ignition	21	119-3068	1	Switch-Momentary, N.O.
8	100-3524	1	Switch-Seat	22	131-3639	1	Key-Toro
9	32144-4	2	Screw-HWH	23	132-9302	1	Switch-Rocker, (On)-Off-(On)
10	3256-22	2	Washer-Flat	24	131-4136	1	Light-Indicator
11	321-3	1	Screw-HH				
12	3229-1	1	Bolt-CARR				

● Not illustrated

■ Not serviced separately

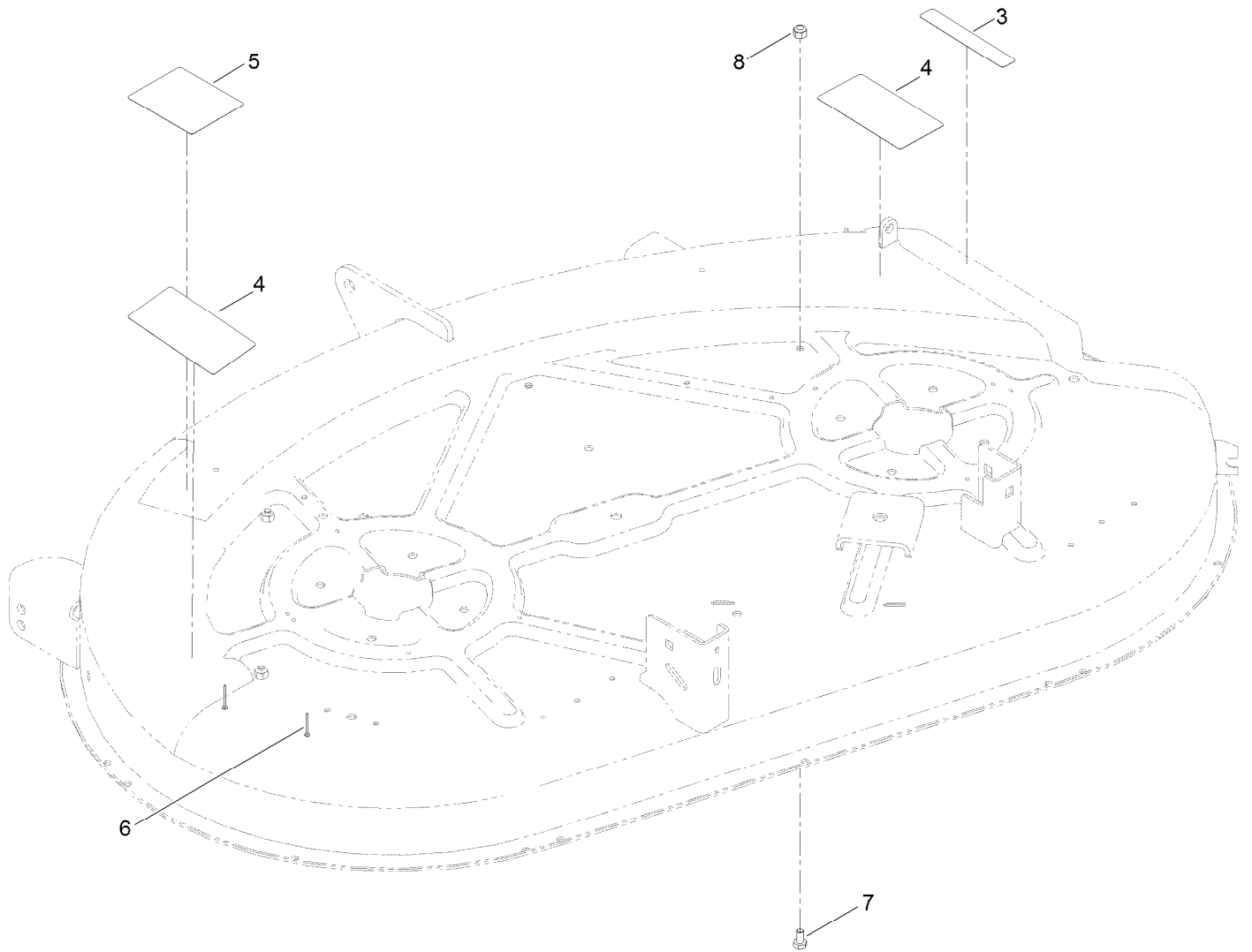
# 42 Inch Deck Assembly



## 42 Inch Deck Assembly (continued)

<i>Ref.</i>	<i>Part Number</i>	<i>Qty.</i>	<i>Description</i>	<i>Ref.</i>	<i>Part Number</i>	<i>Qty.</i>	<i>Description</i>
1	131-3604	1	42 Inch Deck And Decal ASM	34	3290-465	2	Washer-Belleville
6	131-4138	1	Bracket-Hanger, RH	35	26-0671	2	Screw-HH
7	131-1091	1	Bracket-Hanger, LH	36	125-5574	2	Pulley
8	3231-2	2	Bolt-CARR	37	3219-6	2	Nut-Hex
9	120-7024	1	Screw-Shoulder, HHF	38	63-7400	1	Washer-Rebound
10	3230-22	1	Screw-CARR	39	120-2229	2	Washer
11	110-0618	1	Pin-Clevis	40	114-0463	2	Washer-Friction, Composite
12	131-0955	1	Rod-Level, Deck	41	115-4986	1	Spacer
13	104-8301	6	Nut-HF, NI	42	114-8540	1	Arm-Idler
14	104-8300	2	Nut-HF, NI	43	106-2175	2	Pulley-Idler, Flat
15	3256-23	1	Washer-Plain	44	3256-24	1	Washer-Flat
16	1-806003	1	Pin-Cotter	45	323-9	2	Screw-HH
17	108-7889	2	Cover-Belt	46	119-8819	1	V-Belt
19	32144-4	2	Screw-HWH	47	106-2177	1	Spring-Extension
20	133-9289	1	Fitting-Washout	48	88-5970	1	Hook-Return, Spring
23	95-3270	1	Connector-Hose	49	112-3951	1	Deflector
25	112-3983-03	1	Baffle-Cutoff	50	110-6694	1	Spring-Torsion
27	1-603299	2	Roller-Scalp, Anti	52	112-3977	2	Bolt-Shoulder
28	112-4026	1	Rod-Pivot	56	117-1222	1	Decal
30	121-0751	2	Spindle ASM	57	32144-1	6	Screw-Taptite
30:2	120-7935	2	Spacer	63	3296-42	3	Nut-Lock, NI
30:3	38-7820	2	Bearing-Ball	65	323-7	1	Screw-HH
31	32144-41	8	Screw-Taptite	66	321-2	3	Screw-HH
32	117-7268	2	Shaft-Spindle	67	3296-59	1	Nut-Lock, NI
33	131-3939-03	2	Blade-High Lift	68	3290-282	2	Rivet-Blind

# 42 Inch Deck Decal Assembly No. 131-3604

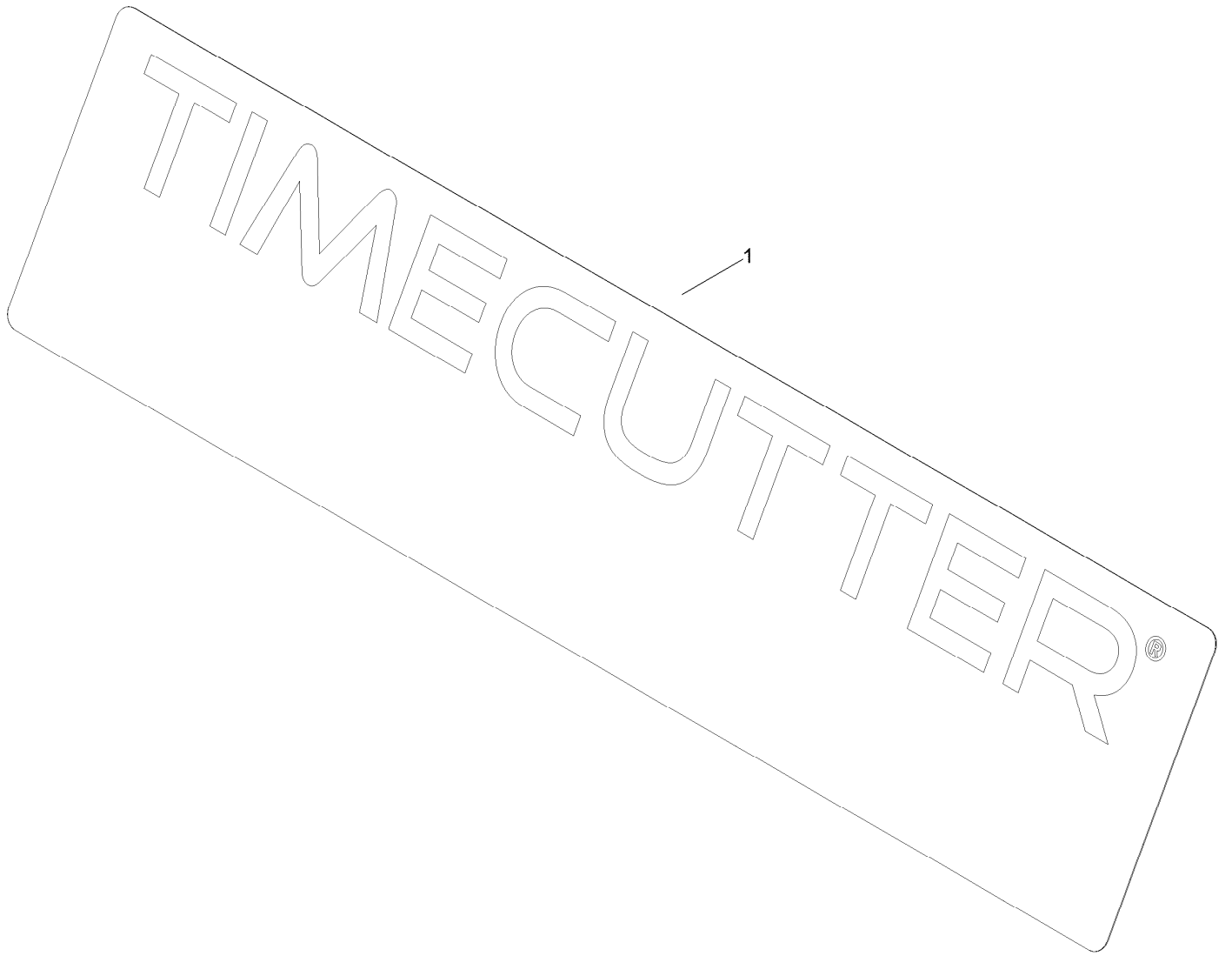




## 42 Inch Deck Decal Assembly No. 131-3604 (continued)

<i>Ref.</i>	<i>Part Number</i>	<i>Qty.</i>	<i>Description</i>	<i>Ref.</i>	<i>Part Number</i>	<i>Qty.</i>	<i>Description</i>
3	93-7009	1	Decal-Danger	6	3290-282	2	Rivet-Blind
4	132-0872	2	Decal-Danger, Deck	7	321-2	3	Screw-HH
5	105-7015	1	Decal-Routing, Belt	8	3296-42	3	Nut-Lock, NI

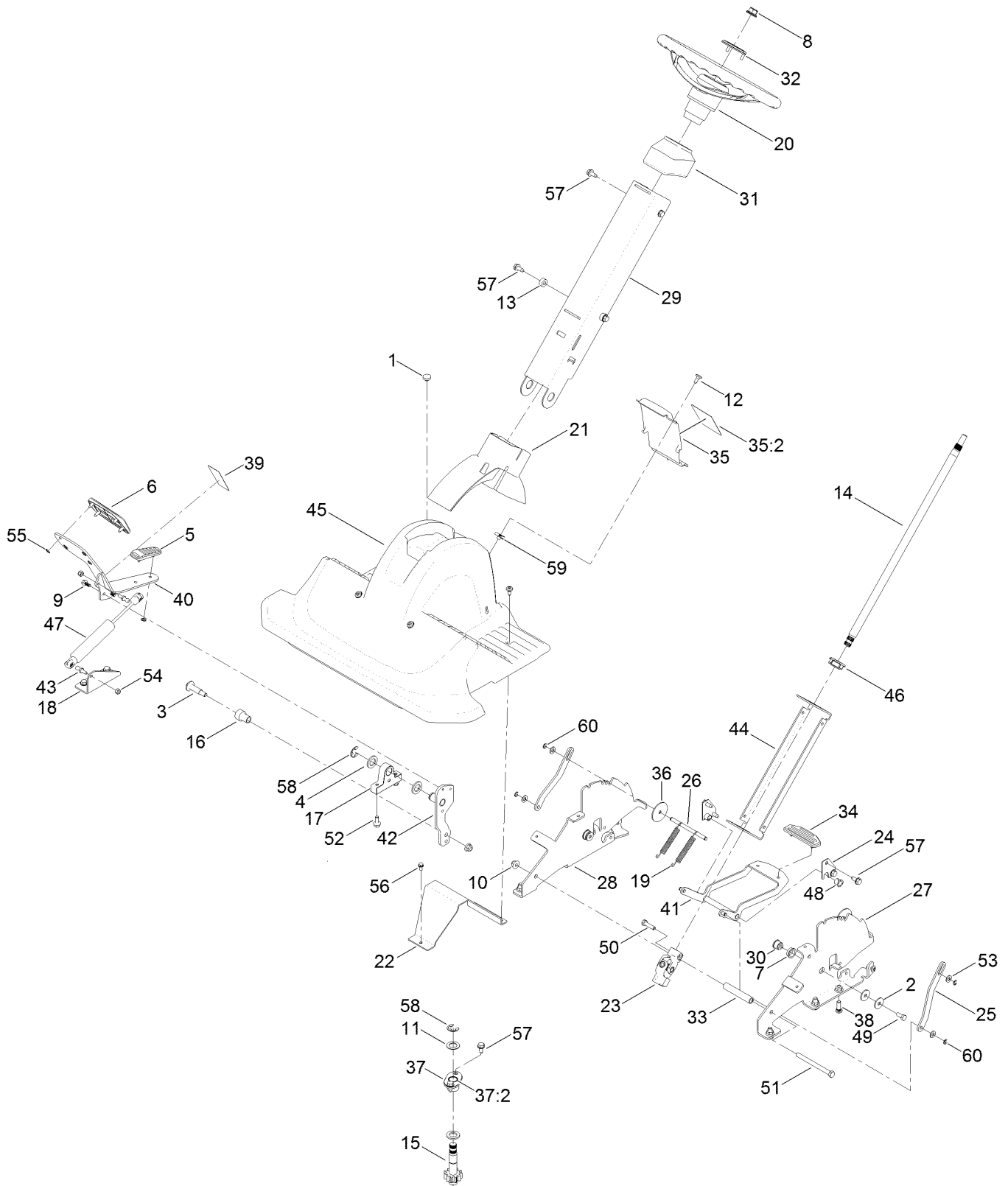
# Model Specific Decal Assembly



## Model Specific Decal Assembly (continued)

<i>Ref.</i>	<i>Part Number</i>	<i>Qty.</i>	<i>Description</i>
1	131-3657	1	Decal-Timecutter

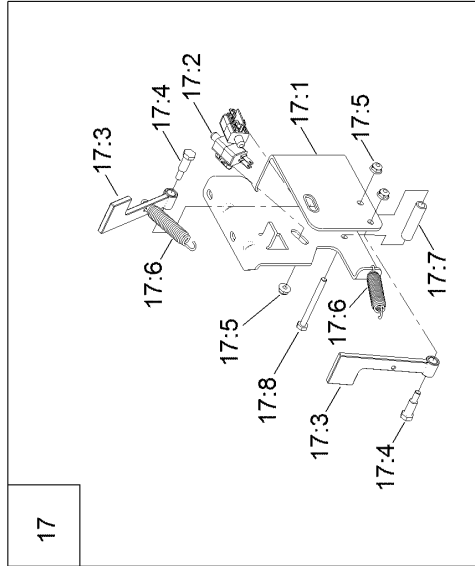
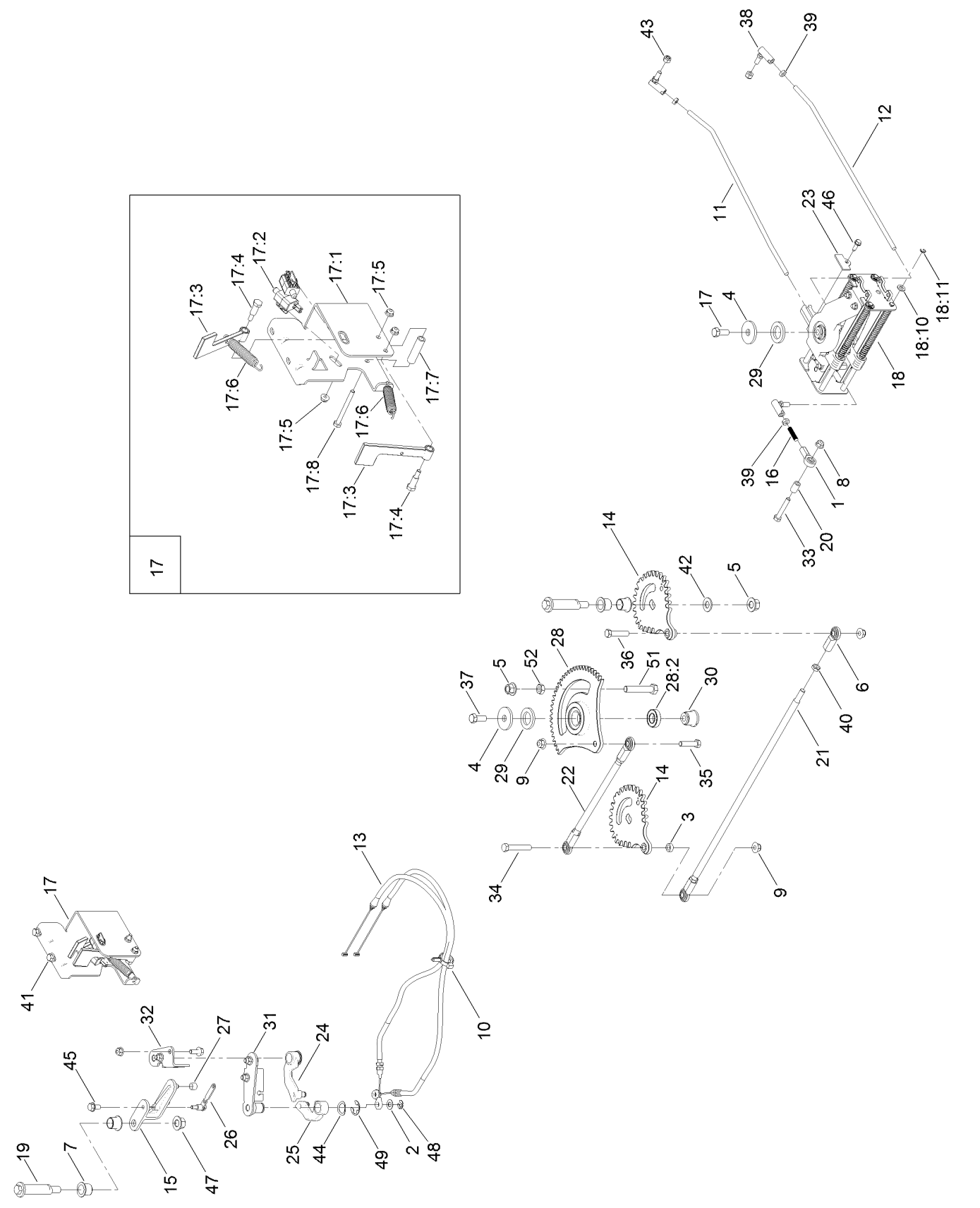
# Steering Column Assembly



## Steering Column Assembly (continued)

<i>Ref.</i>	<i>Part Number</i>	<i>Qty.</i>	<i>Description</i>	<i>Ref.</i>	<i>Part Number</i>	<i>Qty.</i>	<i>Description</i>
1	1-513658	1	Bumper	32	131-3630	1	Cap-Wheel, Steering
2	5-4460	5	Washer-Pivot	33	131-3697	1	Spacer
3	56-6590	1	Bolt-Wheel	34	131-4096	1	Pad-Tilt Pedal
4	70-1160	3	Washer	35	131-4099	1	Rear Cover And Decal ASM
5	98-9039	1	Pad-Heel, Hydro Pedal	35:2	132-0870	1	Decal-Danger
6	98-9040	1	Pad-Toe, Hydro Pedal	36	131-8729	2	Washer-Shaft, Tilt
7	99-4243	2	Bushing-Flange	37	131-8733	1	Flange Bearing ASM
8	99-5107	2	Nut-Lock	37:2	115-7019	1	Bushing-Straight
9	99-6810	2	Screw-HHF	38	132-0921	6	Stud-Push-In
10	104-8301	8	Nut-HF, NI	39	132-6863	1	Decal-Release, Break
11	119-7640	1	Washer-Thrust	40	132-6865-01	1	Pedal-Traction
12	120-7950	9	Screw-Shoulder	41	132-6868	1	Release Pedal ASM
13	121-1759	2	Spacer	42	132-6907	1	Pivot Lever ASM
14	125-5507	1	Shaft-Steering, Upper	43	132-6917	2	Ball Stud
15	125-5508	1	Lower Steering Shaft ASM	44	132-9315-01	1	Column-Back
16	127-3397	1	Roller	45	133-1152	1	Shroud-Styling, Front
17	130-6887	1	Mount-Pedal Pivot	46	133-1160	1	Bearing-Spherical
18	130-6910-03	1	Bracket-Damper	47	133-1171	1	Damper-Non Cavitating
19	130-6998	2	Spring-Extension	48	256-257	2	Bushing-Nyliner
20	131-0957	1	Wheel-Steering	49	322-3	2	Screw-HH
21	131-1028	1	Cover-Pivot, Column	50	322-6	2	Screw-HH
22	131-1029-03	1	Support-Footrest	51	323-23	1	Screw-HH
23	131-1030	1	U-Joint ASM	52	3234-47	2	Screw-HHF
24	131-1043	2	Plate-Retainer	53	3256-23	4	Washer-Plain
25	131-1049	2	Plate-Plunger	54	3296-42	2	Nut-Lock, NI
26	131-1050	1	Rod-Plunger	55	32112-6	8	Nut-Push
27	131-1052-03	1	Bracket-Pivot, Column (LH)	56	32144-4	3	Screw-HWH
28	131-1053-03	1	Bracket-Pivot, Column (RH)	57	32144-70	12	Screw-HWHTF
29	131-1054-01	1	Column-Front	58	32151-48	2	E-Ring
30	131-1056	2	Spacer-Pivot, Column	59	107069	2	Clip
31	131-1066	1	Cap-Column	60	701197	4	E-Ring

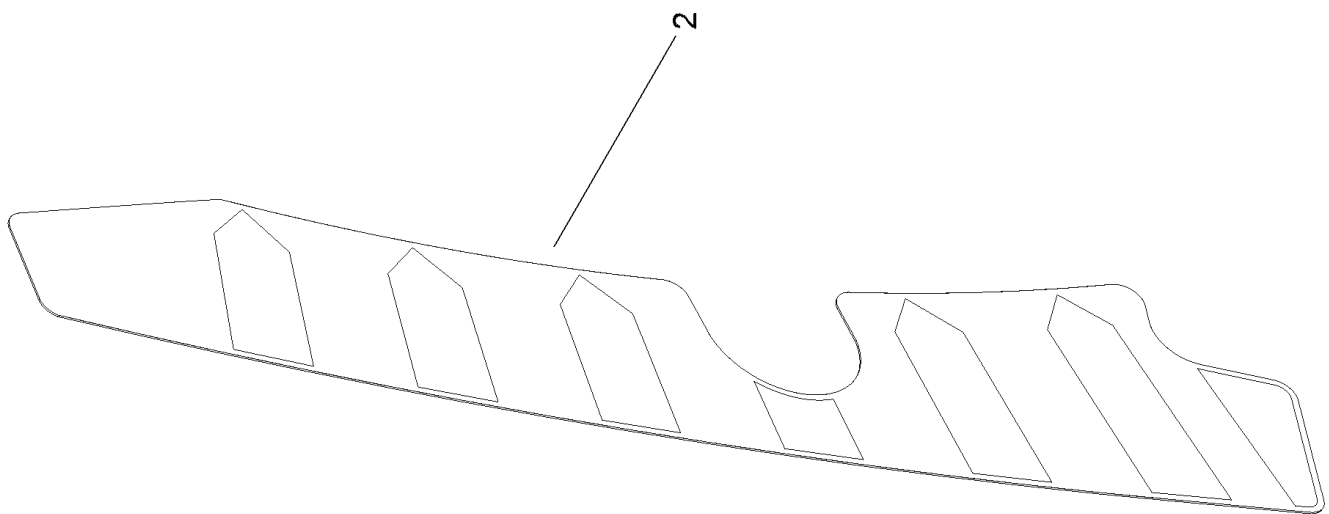
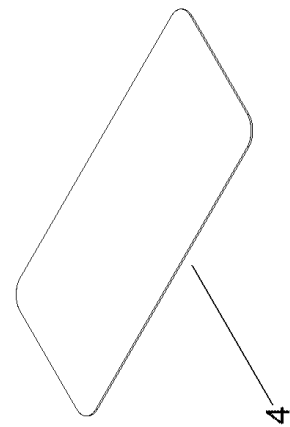
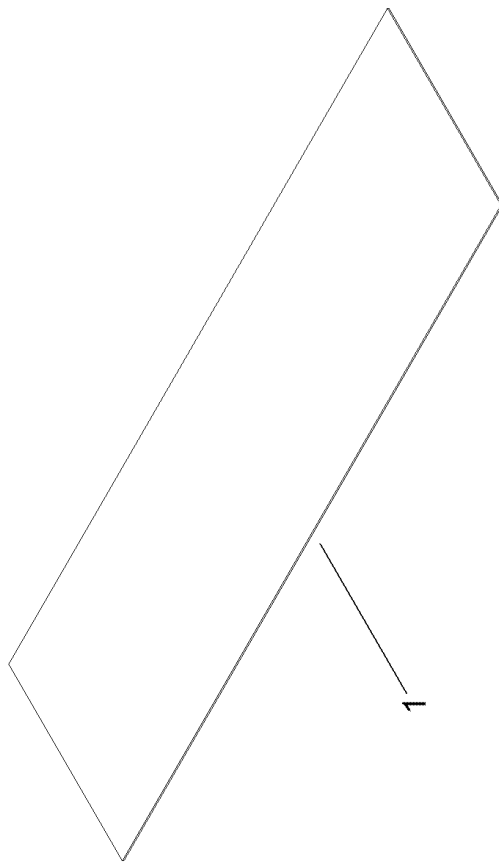
# Steering Gear and Cable Assembly



## Steering Gear and Cable Assembly (continued)

<i>Ref.</i>	<i>Part Number</i>	<i>Qty.</i>	<i>Description</i>	<i>Ref.</i>	<i>Part Number</i>	<i>Qty.</i>	<i>Description</i>
1	1-543017	1	Balljoint-RH	22	131-1036	1	Rod-Steering, Narrow
2	37-8080	2	Washer-Thrust	23	131-1041	2	Cover-End Rod
3	83-1050	3	Spacer	24	131-3623	1	Arm-Cable, RH
4	84-1560	2	Washer-Thrust	25	131-3647	1	Arm-Cable, LH
5	99-5107	3	Nut-Lock	26	131-3950	1	Strap-Roller
6	103-0608	4	Joint-Ball, End	27	131-3951	2	Bushing
7	103-4398	4	Bearing-Flange, Iglide	28	131-8731	1	Sector Gear ASM
8	104-8300	7	Nut-HF, NI	28:2	109-3678	1	Bearing-Ball
9	104-8301	3	Nut-HF, NI	29	131-8736	2	Spacer-Bearing
10	105-1853	1	Clamp-Hose	30	131-8737	1	Pivot-Bearing
11	127-0115	1	Rod-Hydro, RH	31	132-6943	1	Cable Bracket ASM
12	127-0116	1	Rod-Hydro, LH	32	132-6944	1	Cable Bracket ASM
13	127-0118	2	Cable-Steering	33	322-10	1	Screw-HH
14	130-0830	2	Gear-Wheel, 30 Tooth	34	323-11	1	Screw-HH
15	130-6878	1	Lever-Cable	35	323-8	1	Screw-HH
16	130-6906	1	Rod-Threaded	36	323-9	1	Screw-HH
17	131-0903	1	Neutral Return ASM	37	324-4	2	Screw-HH
17:1	132-0909-03	1	Bracket-Switch	38	2411-33	3	Balljoint-RH (W/Grommet)
17:2	110-6765	2	Switch	39	3220-2	8	Nut-Jam
17:3	130-0782	2	Arm-Switch	40	3220-3	4	Nut-HJ
17:4	119-2309	2	Bolt-Shoulder	41	3234-47	6	Screw-HHF
17:5	104-7201	3	Nut-HF	42	3256-26	1	Washer-Flat
17:6	132-6915	2	Spring-Extension	43	3296-4	3	Nut-Lock
17:7	131-3976	1	Spacer	44	7896	2	Washer-Bowed
17:8	321-14	1	Screw-HH	45	32144-14	1	Screw-HWHTF
18	131-0904	1	Speed Control ASM	46	32144-44	2	Screw-HWH, Thread Roll
18:10	131-8667	12	Washer-Thrust	47	32144-86	1	Screw-HWHTF
18:11	32120-18	8	E-Ring	48	32151-47	2	Ring-Retaining
19	131-1031	2	Bolt-Shoulder	49	32151-48	2	E-Ring
20	131-1034	1	Spacer	51	325-11	1	Screw-HH
21	131-1035	1	Rod-Cross, Narrow	52	3218-5	1	Nut-Jam

# Speed Control, HOC and Service Decal Assembly

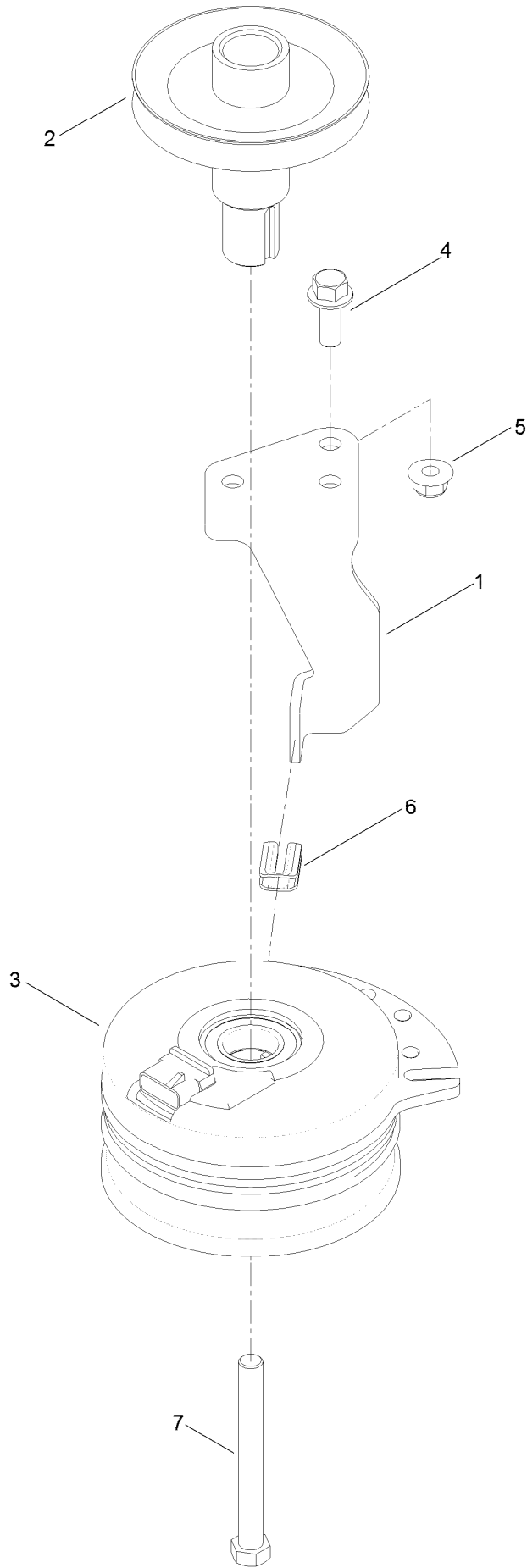




## Speed Control, HOC and Service Decal Assembly (continued)

<i>Ref.</i>	<i>Part Number</i>	<i>Qty.</i>	<i>Description</i>
1	106-8717	1	Decal-Service, CE
2	119-8871	1	Decal-HOC
4	121-5684	1	Decal-Location, Service Dealer

# Clutch Assembly



## Clutch Assembly (continued)

<i>Ref.</i>	<i>Part Number</i>	<i>Qty.</i>	<i>Description</i>	<i>Ref.</i>	<i>Part Number</i>	<i>Qty.</i>	<i>Description</i>
1	119-8884	1	Stop-Clutch (Narrow)	5	104-8301	1	Nut-HF, NI
2	130-6854	1	Pulley-Engine	6	120-2217	1	Isolator-Clutch
3	117-7468	1	Clutch-Electric	7	3212-16	1	Screw-HH
4	3234-42	1	Screw-HHF				

# Attachments and Accessories

## For 74785 TimeCutter SW 4200 Riding Mower

<b>Product Name</b>	<b>Model/Part</b>
Hourmeter Kit .....	116-5461
All Season Synthetic Oil.....	117-0066
Seat With Armrests-18in.....	119-8830
Jack Mount Kit .....	126-5251
Jack Kit .....	127-6666
Fuel Stabilizer .05 oz .....	130-2393
4-Cycle Fuel, Snow And Lawn 32oz Can .....	131-3823
Attachment Mount Kit .....	131-3966
Toro Premium Fuel Treatment 12 Oz Bottle .....	131-6572
Deluxe Seat Kit.....	131-7699
Floor Mat Kit .....	132-6920
Replacement Blade Kit .....	137-1999-03P
Striping Kit .....	137-5030
42in Recycler Kit.....	137-7042
Bagging Enhancement Kit .....	137-7048
Weight Kit, Zero-Turn-Radius Riding Mower.....	138-2452
10w30 4-cycle Engine Oil (32oz Bottle) .....	38280
Toro 4-cycle SAE 30 Oil (32oz Bottle) .....	38903
Storage Cover .....	490-7516
Sunshade Kit .....	79011
42in Bagger Timecutter Ss (2017 And Up).....	79397

**Notes:**

**Notes:**

**Notes:**



**Count on it.**