



**Count on it.**

**Parts Catalog**

**TimeCutter® MX 5050**

**Riding Mower**

Model No. 74770—Serial No. 40000000 and Up



# Ordering Replacement Parts

To order replacement parts, please supply the part number, the quantity, and the description of each part desired.

## Understanding Reference Numbers

Each identified part in an illustration has a reference number. The reference number for a part also appears in the parts list, along with other information about the part.

This catalog uses two special reference number formats, one to indicate parts in a service assembly and another to indicate the quantity of a given part in an illustration.

## Service Assembly Reference Numbers

Parts in service assemblies have reference numbers in the form a:b. The a represents the reference number of the entire service assembly and the b represents a sequential number unique to each part within the service assembly.

For example, a wheel assembly might be identified by reference number 6, the tire by 6:1, the valve by 6:2, and the wheel by 6:3. When you order the assembly identified by reference number 6, you receive all parts identified by reference numbers 6:1, 6:2, and 6:3. However, you may also order any part individually. Reference numbers of this type appear in illustration and in parts lists.

## Reference Numbers Indicating Quantity

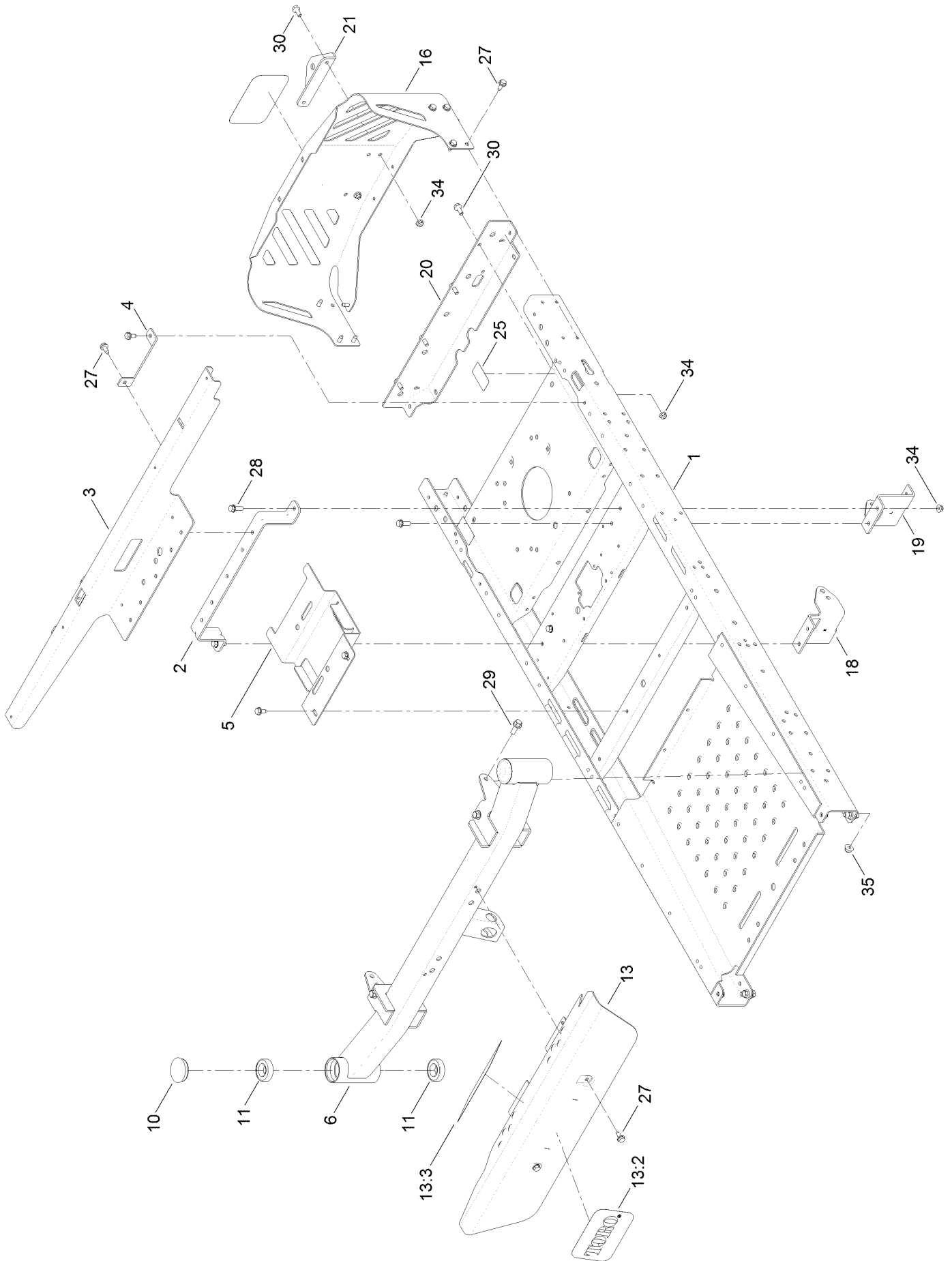
In an illustration, if a reference number indicates more than one part, the reference number has the form nX y. The n represents the quantity of the part, the X is the multiplication symbol, and the y represents the reference number.

For example, in an illustration, the reference number 2X 37 means that two of the parts identified by reference number 37 are indicated.

# Contents

Frame Assembly . . . . .	4
Deck Lift Assembly . . . . .	6
Caster, Wheel and Tire Assembly . . . . .	8
Traction Drive Assembly . . . . .	10
LH Transaxle Assembly No. 130-6960 . . . . .	12
RH Transaxle Assembly No. 130-6961 . . . . .	14
Brake Assembly . . . . .	16
Tire Assembly . . . . .	18
Seat Assembly . . . . .	20
Seat Assembly No. 131-4147 . . . . .	22
Motion Control Assembly . . . . .	24
Engine and Muffler Assembly . . . . .	26
Body Styling and Fuel Assembly . . . . .	28
Battery and Electrical Assembly . . . . .	30
50 Inch Deck Assembly . . . . .	32
50 Inch Deck and Decal Assembly No. 131-3614 . . . . .	34
Decal and Floor Mat Assembly . . . . .	36
Frame Decal Assembly . . . . .	38
Clutch Assembly . . . . .	40
Attachments and Accessories . . . . .	42

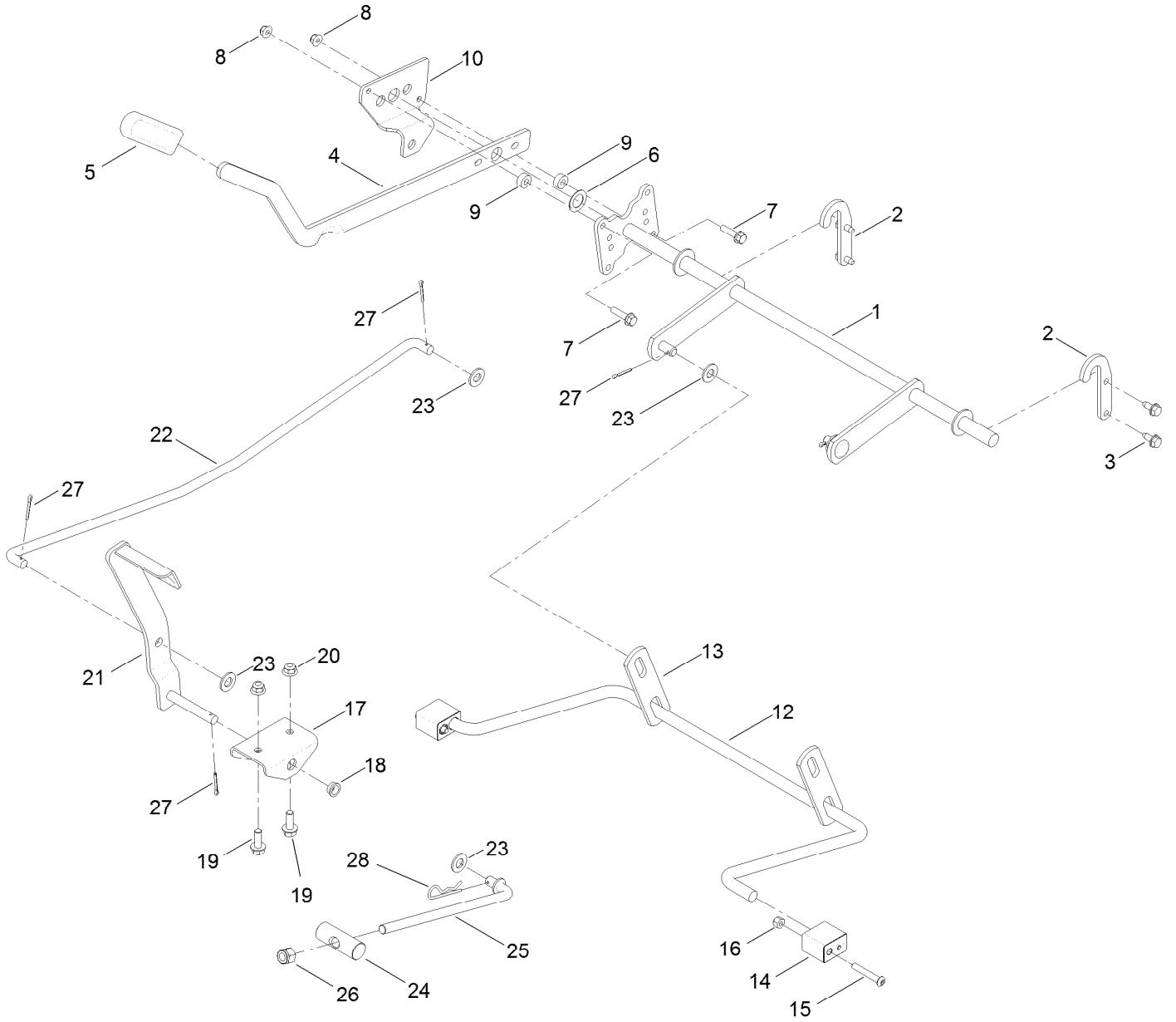
# Frame Assembly



## Frame Assembly (continued)

<i>Ref.</i>	<i>Part Number</i>	<i>Qty.</i>	<i>Description</i>	<i>Ref.</i>	<i>Part Number</i>	<i>Qty.</i>	<i>Description</i>
1	130-0699-01	1	Frame ASM	18	131-0901-01	1	Mount-Hydro, Front (RH)
2	117-7337-03	1	Brace-Seat, Rear	19	131-0902-01	1	Mount-Hydro, Front (LH)
3	131-1039-03	1	Support-Pod, Wide	20	130-6946-01	1	Crossmember-Rear, Wide
4	119-3431-03	2	Support-Tank, Rear	21	117-1232-03	1	Bracket-Hitch
5	131-0914-03	1	Bracket-Battery	25	121-2989	2	Decal-Bypass
6	125-1726-01	1	Axle ASM	27	32144-70	18	Screw-Thd Roll, HWH
10	116-4348	2	Cap-Grease	28	3234-29	4	Screw-HHF
11	109-3678	4	Bearing-Ball	29	3234-42	6	Screw-HHF
13	132-0892	1	Footrest ASM	30	3234-47	8	Screw-HHF
13:2	99-4693	1	Decal	34	104-8300	12	Nut-HF, NI
13:3	132-0869	1	Decal-Danger	35	104-8301	6	Nut-HF, NI
16	130-0701-03	1	Guard-Engine, Wide				

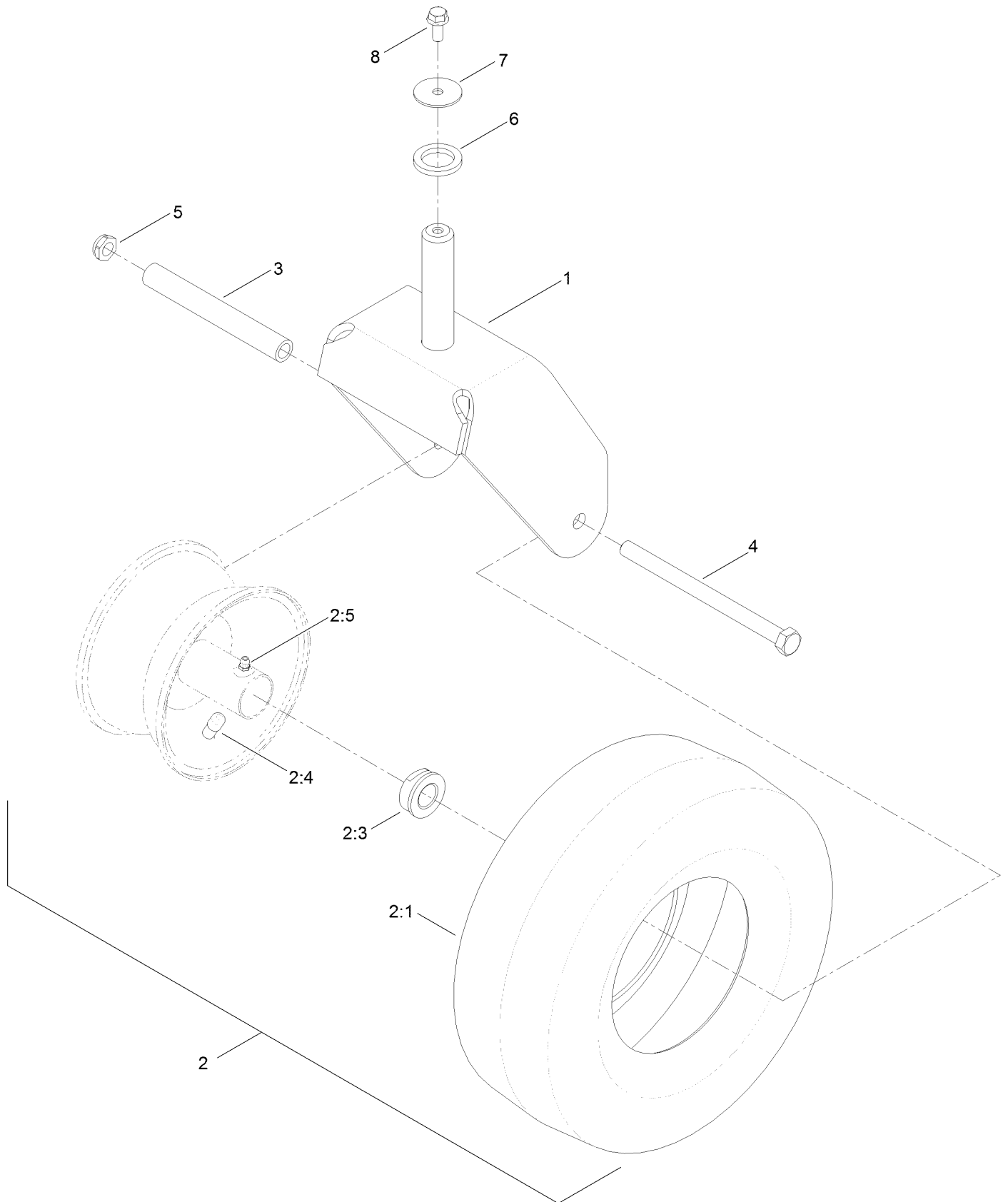
# Deck Lift Assembly



## Deck Lift Assembly (continued)

<i>Ref.</i>	<i>Part Number</i>	<i>Qty.</i>	<i>Description</i>	<i>Ref.</i>	<i>Part Number</i>	<i>Qty.</i>	<i>Description</i>
1	132-6878-03	1	Lift-Deck, Wide	16	3296-29	2	Nut-Lock, NI
2	119-8875	2	Bracket-Lift	17	120-2294-03	1	Bracket-Footlift
3	32144-70	4	Screw-Thd Roll, HWH	18	256-156	2	Bushing-Flange
4	119-3427-03	1	Lever-Lift	19	3234-42	2	Screw-HHF
5	1-633268	1	Grip-Lever	20	104-8301	2	Nut-HF, NI
6	3-6498	2	Washer-Thrust	21	132-6939-03	1	Pedal ASM
7	3234-36	2	Screw-HHF	22	120-2242	1	Rod-Footlift
8	104-8300	2	Nut-HF, NI	23	3256-26	5	Washer-Flat
9	121-1759	2	Spacer	24	119-8810	1	Pin-Pivot
10	131-3933	1	Plate-Footlift	25	133-4319	1	Rod-Mount, Deck
12	119-3347	1	Arm-Lift, Rear (Wide)	26	3296-19	1	Nut-Hex
13	108-7840	2	Link-Lift	27	3272-11	5	Pin-Cotter
14	108-7845	2	Block-Pivot	28	1-806005	1	Pin-Cotter
15	120-5499	2	Screw-HSBH				

# Caster, Wheel and Tire Assembly



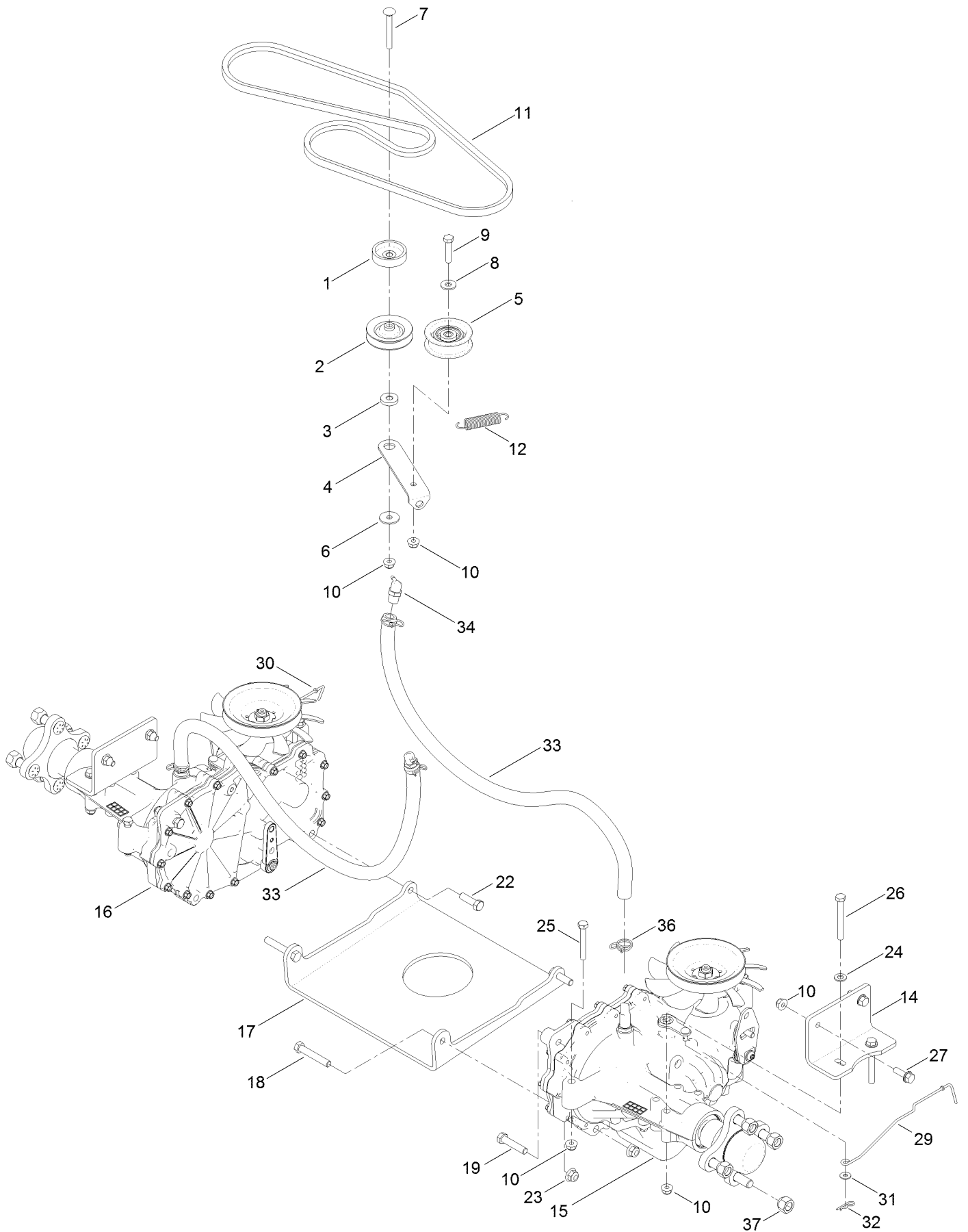


## Caster, Wheel and Tire Assembly (continued)

<i>Ref.</i>	<i>Part Number</i>	<i>Qty.</i>	<i>Description</i>	<i>Ref.</i>	<i>Part Number</i>	<i>Qty.</i>	<i>Description</i>
1	119-3349-01	2	Fork-Caster	2:99	232-46	1	Tube-Inner ●
2	119-3473	2	13 Inch Wheel And Tire ASM	3	119-3475	2	Spanner
2:1	119-3471	1	Tire-13 Inch	4	325-37	2	Screw-HH
2:3	114-1640	2	Bushing-Flange	5	3296-45	2	Nut-Lock, NI
2:4	232-27	1	Stem-Valve	6	117-7394	2	Washer-Thrust
2:5	302-5	1	Fitting-Grease	7	3256-68	2	Washer-Flat
				8	3234-47	2	Screw-HHF

● Not illustrated

# Traction Drive Assembly

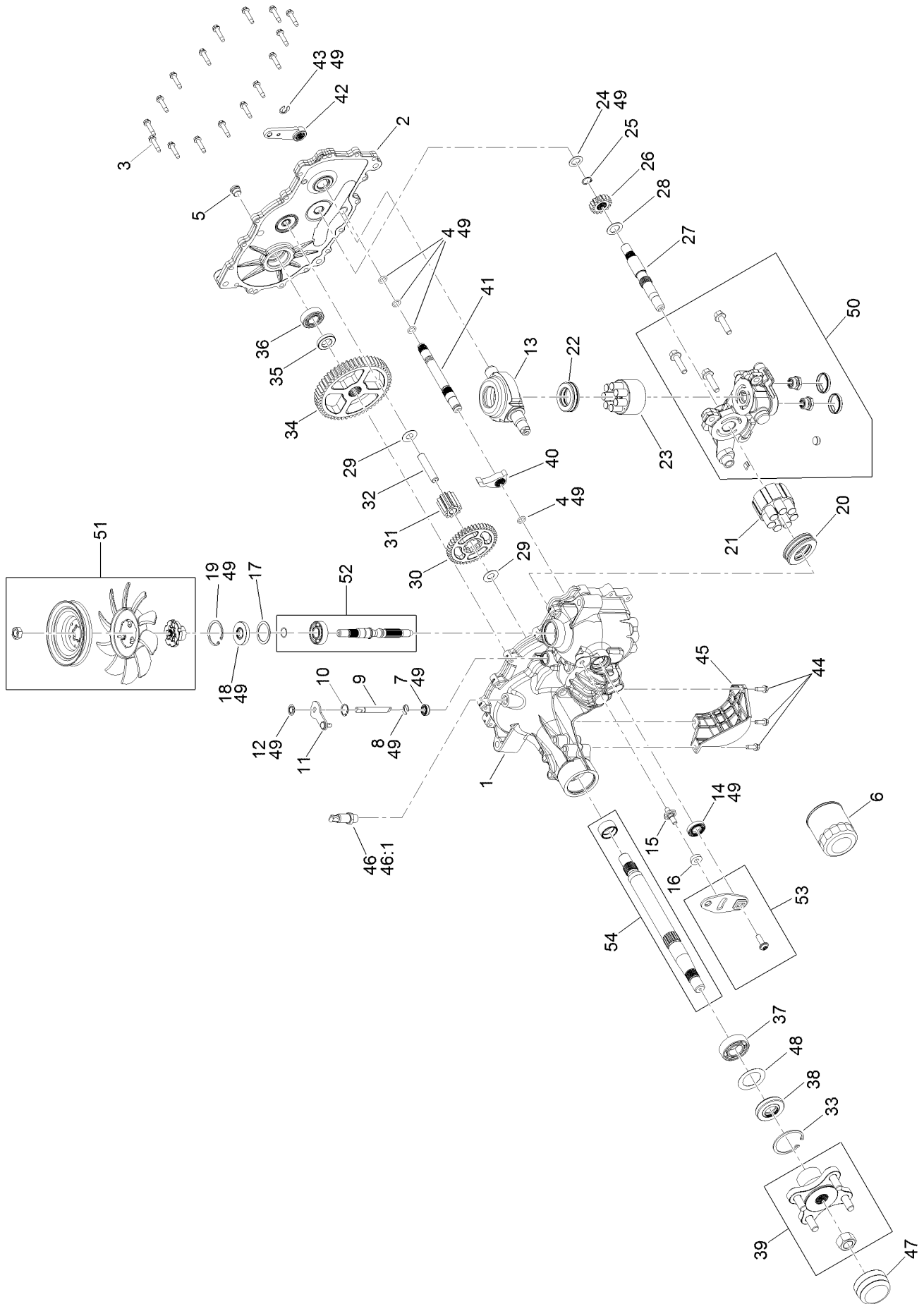


## Traction Drive Assembly (continued)

<i>Ref.</i>	<i>Part Number</i>	<i>Qty.</i>	<i>Description</i>	<i>Ref.</i>	<i>Part Number</i>	<i>Qty.</i>	<i>Description</i>
1	119-3353	1	Spacer	18	323-11	2	Screw-HH
2	119-8822	1	Pulley-Idler	19	323-9	2	Screw-HH
3	119-3327	1	Spacer-Arm, Idler	22	323-7	2	Screw-HH
4	119-3326	1	Arm-Idler	23	104-8301	6	Nut-HF, NI
5	106-2176	1	Pulley-Idler	24	3256-23	6	Washer-Plain
6	5-4460	1	Washer-Pivot	25	322-11	4	Screw-HH
7	3230-8	1	Screw-CARR	26	322-13	4	Screw-HH
8	3256-3	1	Washer-Flat	27	3234-29	4	Screw-HHF
9	322-7	1	Screw-HH	29	130-7048	1	Rod-Bypass, LH
10	104-8300	14	Nut-HF, NI	30	130-7047	1	Rod-Bypass, RH
11	130-6976	1	V-Belt	31	119-8952	2	Washer
12	104-6415	1	Spring-Return, Pedal	32	3290-307	2	Pin-Cotter
14	121-0745-01	2	Mount-Hydro	33	136-4182	2	Hose-Hydro
15	130-6960	1	LH Hydro Transmission ASM	34	136-4183	2	Breather Kit
16	130-6961	1	RH Hydro Transmission ASM	35	614249	2	Tie-Cable ●
17	130-0718-01	1	Plate-Cross, Hydro	36	117-1193	4	Clamp-Hose
				37	242-50	8	Nut-Lug

● Not illustrated

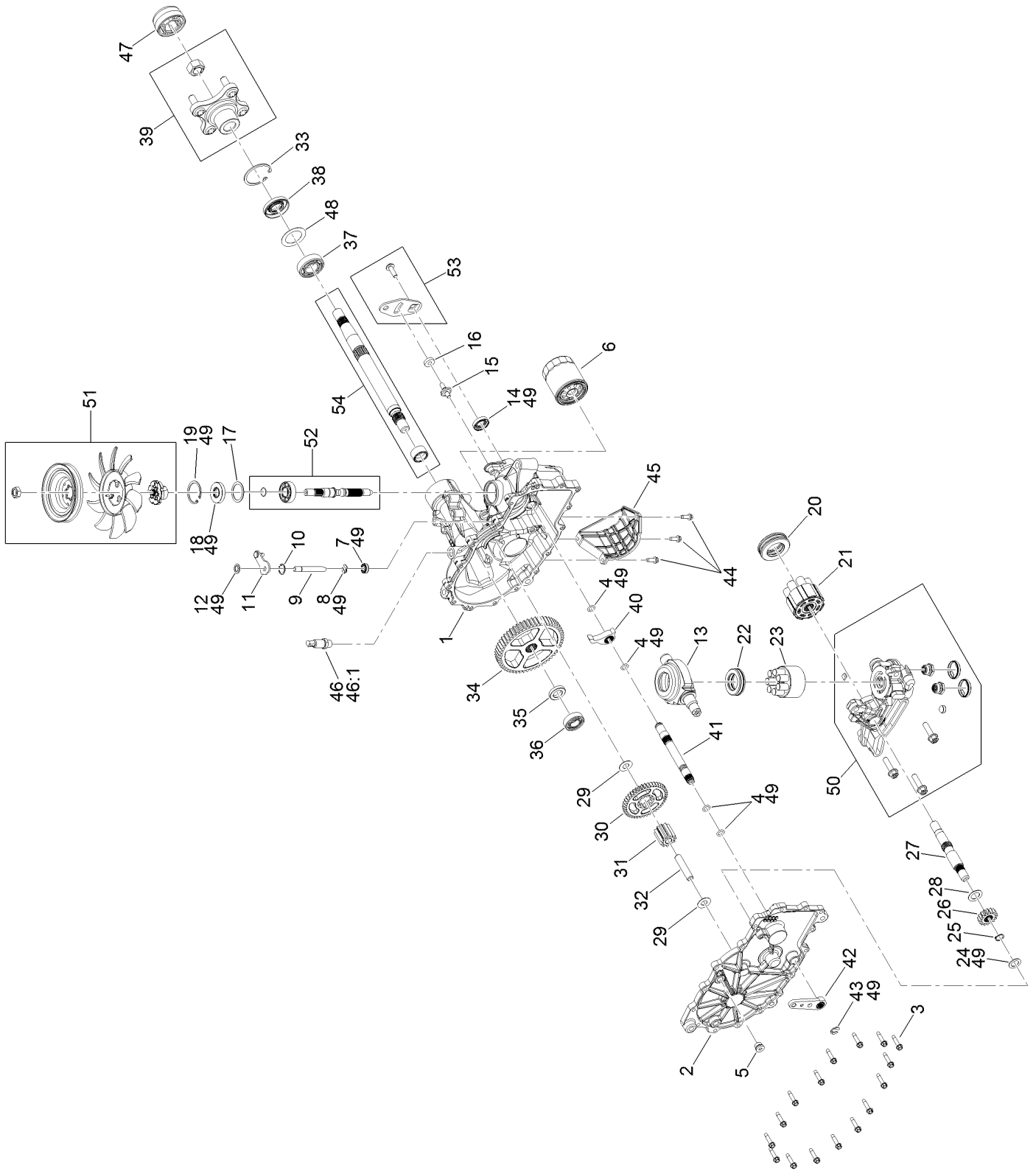
# LH Transaxle Assembly No. 130-6960



## LH Transaxle Assembly No. 130-6960 (continued)

<i>Ref.</i>	<i>Part Number</i>	<i>Qty.</i>	<i>Description</i>	<i>Ref.</i>	<i>Part Number</i>	<i>Qty.</i>	<i>Description</i>
1	125-0037	1	Main Housing Kit	29	94-1933	2	Washer
2	132-0939	1	RH Side Cover Kit	30	125-0000	1	Gear-43T
3	117-5359	16	Screw-HHF	31	114-1693	1	Gear-11T
4	114-1678	4	O-Ring	32	104-5329	1	Pin-Jackshaft
5	104-2189	1	Plug-Thread, Straight	33	104-2169	1	Ring-Retaining
6	109-3321	1	Element-Oil Filter, HYD	34	114-1694	1	Gear-54T
7	106-8676	1	Seal-Lip	35	120-7975	1	Spacer
8	106-8677	1	Ring-Retaining, External	36	126-0789	1	Bearing-Ball
9	114-1685	1	Rod-Bypass	37	120-7976	1	Bearing-Ball
10	106-8679	1	Ring-Retaining, Internal	38	104-2144	1	Seal
11	112-9852	1	Arm-Bypass	39	109-5939	1	Hub Kit
12	106-8681	1	Ring-Retaining, External	40	114-1697	1	Pawl-Brake
13	104-5304	1	Swashplate-Trunnion	41	114-1698	1	Shaft-Brake, Inboard
14	104-5313	1	Seal-Lip	42	125-0021	1	Handle-Brake
15	104-2116	1	Stud	43	131-0906	1	Ring-Retaining, EXT
16	112-9853	1	Puck-Friction	44	104-2120	3	Screw
17	104-5308	1	Spacer	45	120-7981	1	Guard-Filter, RH
18	104-5310	1	Seal-Lip	46	109-3278	1	Adapter-Straight
19	104-5309	1	Ring-Retaining	46:1	237-42	1	O-Ring
20	112-4154	1	Bearing-Thrust	47	115-5057	1	Cover-Nut, Axle
21	114-1689	1	Motor Cylinder Block Kit	48	121-5745	1	Spacer
22	94-6922	1	Bearing-Thrust	49	109-3537	1	Seal Kit
23	110-8561	1	Pump Block ASM	50	132-0940	1	RH Center Section Kit
24	104-5339	1	Washer-Flat	51	121-5746	1	Fan Pulley Kit
25	104-5340	1	Ring-Retaining	52	114-8468	1	Input Shaft Kit
26	121-5749	1	Gear-16T	53	117-5362	1	Control Arm Kit
27	114-1691	1	Shaft-Motor	54	114-8470	1	Axle Shaft Kit
28	104-5360	1	Washer				

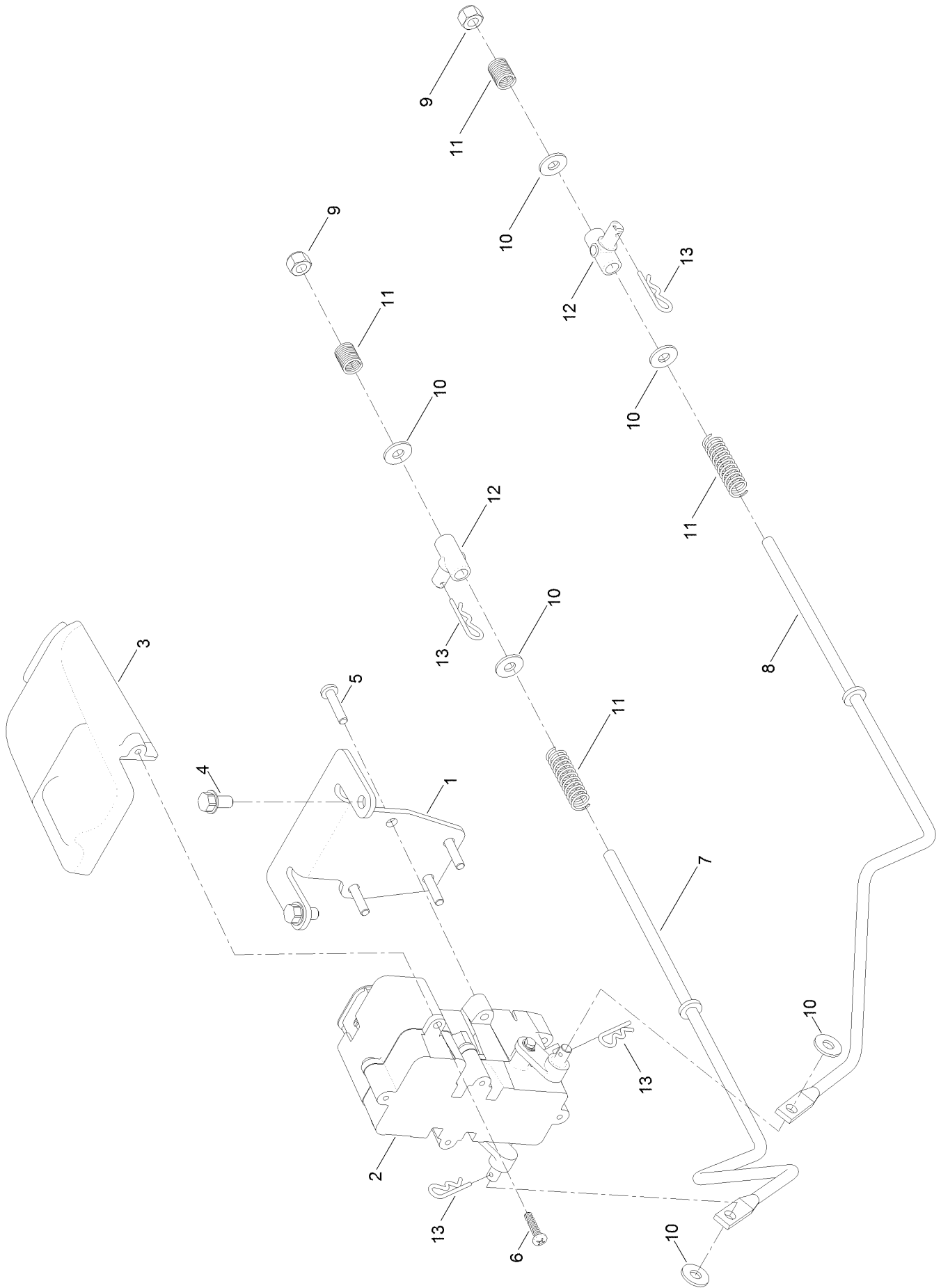
# RH Transaxle Assembly No. 130-6961



## RH Transaxle Assembly No. 130-6961 (continued)

<i>Ref.</i>	<i>Part Number</i>	<i>Qty.</i>	<i>Description</i>	<i>Ref.</i>	<i>Part Number</i>	<i>Qty.</i>	<i>Description</i>
1	121-5748	1	Main Housing Kit	29	94-1933	2	Washer
2	132-0938	1	LH Side Cover Kit	30	125-0000	1	Gear-43T
3	117-5359	16	Screw-HHF	31	114-1693	1	Gear-11T
4	114-1678	4	O-Ring	32	104-5329	1	Pin-Jackshaft
5	104-2189	1	Plug-Thread, Straight	33	104-2169	1	Ring-Retaining
6	109-3321	1	Element-Oil Filter, HYD	34	114-1694	1	Gear-54T
7	106-8676	1	Seal-Lip	35	120-7975	1	Spacer
8	106-8677	1	Ring-Retaining, External	36	126-0789	1	Bearing-Ball
9	114-1685	1	Rod-Bypass	37	120-7976	1	Bearing-Ball
10	106-8679	1	Ring-Retaining, Internal	38	104-2144	1	Seal
11	107-2490	1	Arm-Bypass	39	109-5939	1	Hub Kit
12	106-8681	1	Ring-Retaining, External	40	114-1697	1	Pawl-Brake
13	104-5304	1	Swashplate-Trunnion	41	114-1698	1	Shaft-Brake, Inboard
14	104-5313	1	Seal-Lip	42	125-0021	1	Handle-Brake
15	104-2116	1	Stud	43	131-0906	1	Ring-Retaining, EXT
16	112-9853	1	Puck-Friction	44	104-2120	3	Screw
17	104-5308	1	Spacer	45	120-7979	1	Guard-Filter, LH
18	104-5310	1	Seal-Lip	46	109-3278	1	Adapter-Straight
19	104-5309	1	Ring-Retaining	46:1	237-42	1	O-Ring
20	112-4154	1	Bearing-Thrust	47	115-5057	1	Cover-Nut, Axle
21	114-1689	1	Motor Cylinder Block Kit	48	121-5745	1	Spacer
22	94-6922	1	Bearing-Thrust	49	109-3537	1	Seal Kit
23	110-8561	1	Pump Block ASM	50	125-0036	1	Center Section Kit
24	104-5339	1	Washer-Flat	51	121-5746	1	Fan Pulley Kit
25	104-5340	1	Ring-Retaining	52	114-8468	1	Input Shaft Kit
26	121-5749	1	Gear-16T	53	117-5362	1	Control Arm Kit
27	114-1691	1	Shaft-Motor	54	114-8470	1	Axle Shaft Kit
28	104-5360	1	Washer				

# Brake Assembly

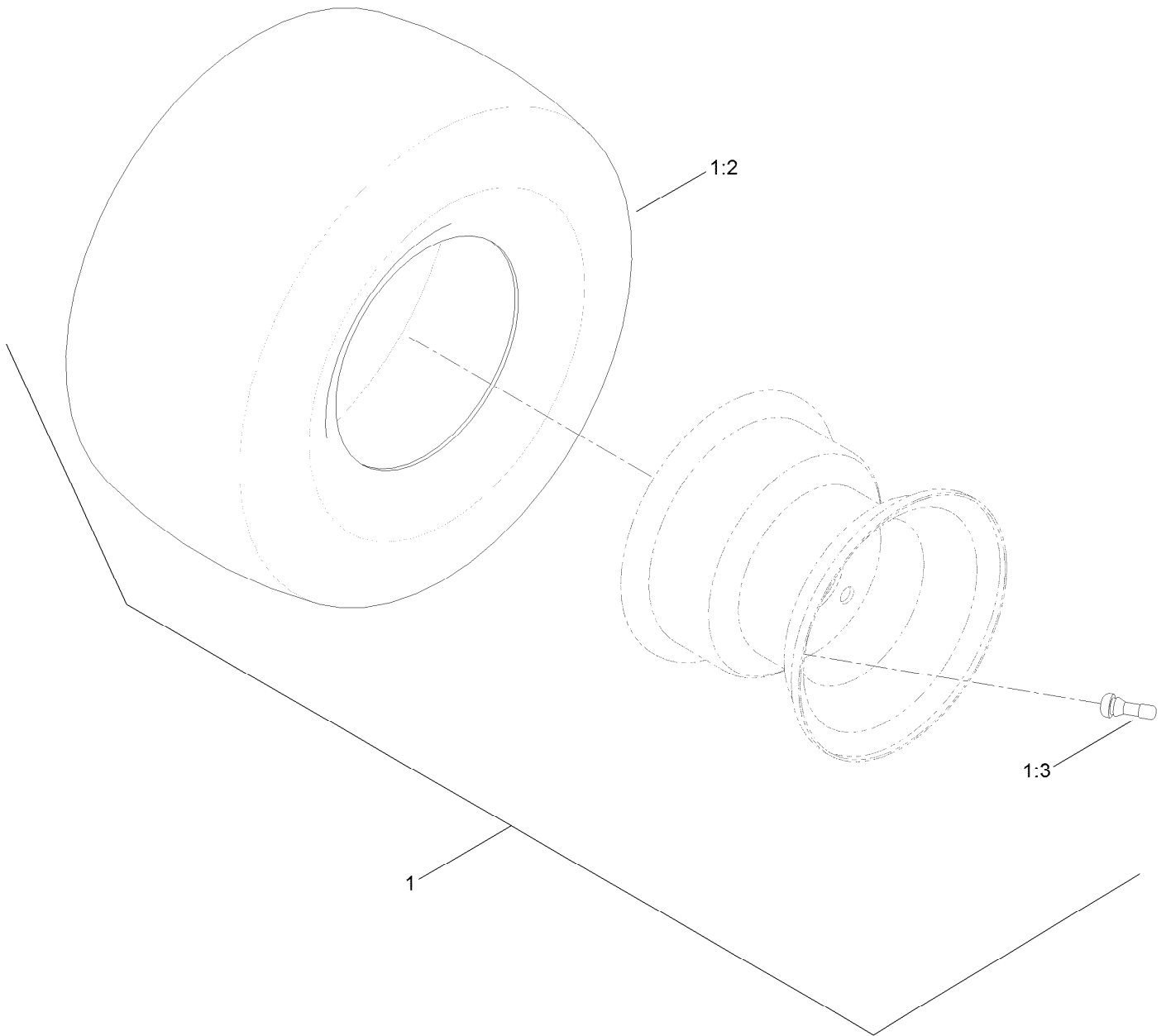




## Brake Assembly (continued)

<i>Ref.</i>	<i>Part Number</i>	<i>Qty.</i>	<i>Description</i>	<i>Ref.</i>	<i>Part Number</i>	<i>Qty.</i>	<i>Description</i>
1	130-0790-03	1	Bracket-Mount, Brake	8	119-8812	1	Rod-Brake, LH
2	132-0935	1	Brake Box ASM	9	3296-42	2	Nut-Lock, NI
3	132-6949	1	Cover-Connector	10	119-8952	6	Washer
4	32144-4	2	Screw-HWH	11	121-5654	4	Spring-Compression
5	32144-36	4	Screw-PPH	12	119-8857	2	Mount-Pivot
6	94-4496	2	Screw-PPH	13	3290-307	4	Pin-Cotter
7	119-8811	1	Rod-Brake, RH				

# Tire Assembly

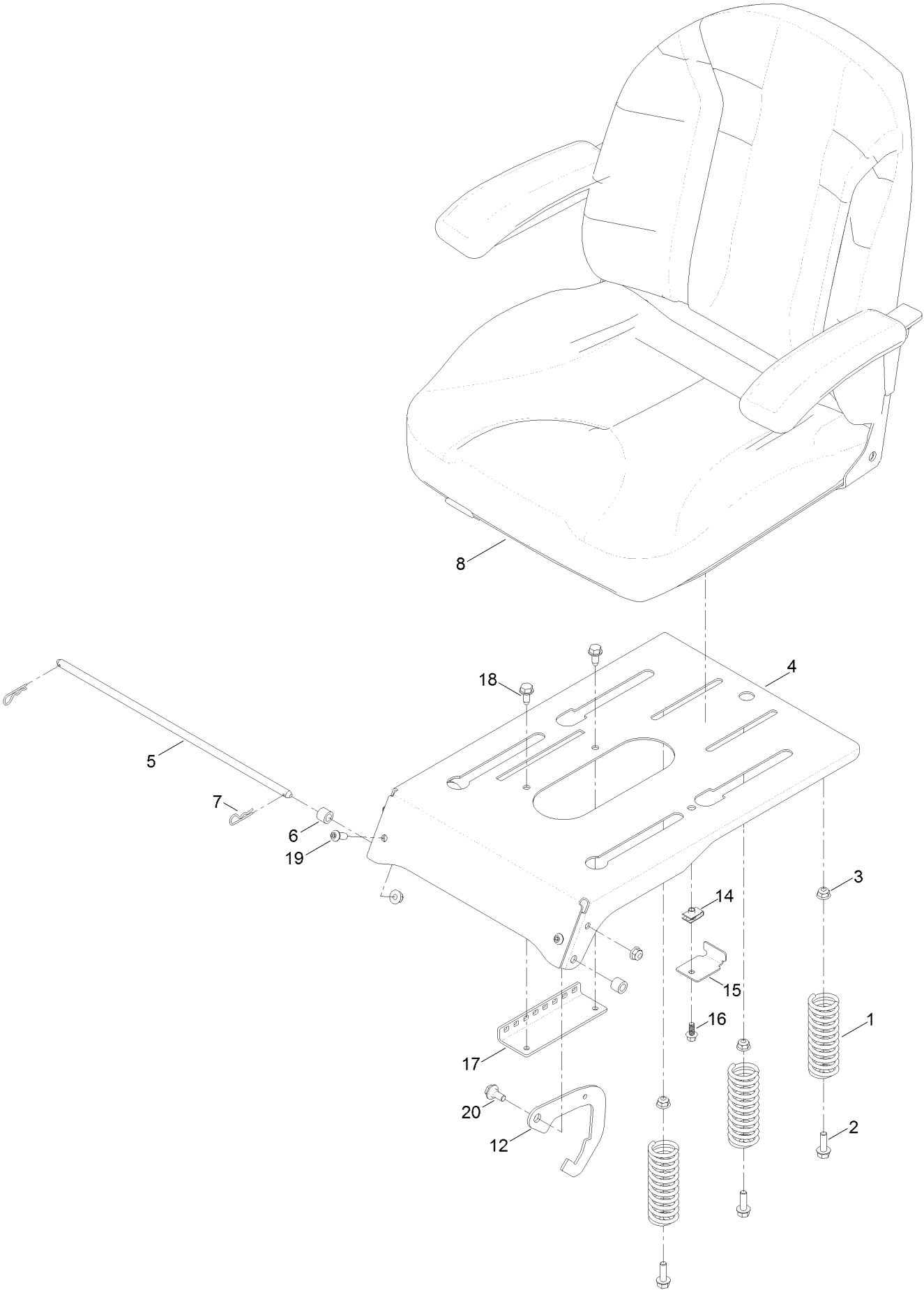


## Tire Assembly (continued)

<i>Ref.</i>	<i>Part Number</i>	<i>Qty.</i>	<i>Description</i>	<i>Ref.</i>	<i>Part Number</i>	<i>Qty.</i>	<i>Description</i>
1	131-3673	2	2 Ply Tire And Wheel ASM	1:3	232-27	1	Stem-Valve
1:2	131-3680	1	Tire-2 Ply	1:4	93-3893	1	Tube-Inner ●

● Not illustrated

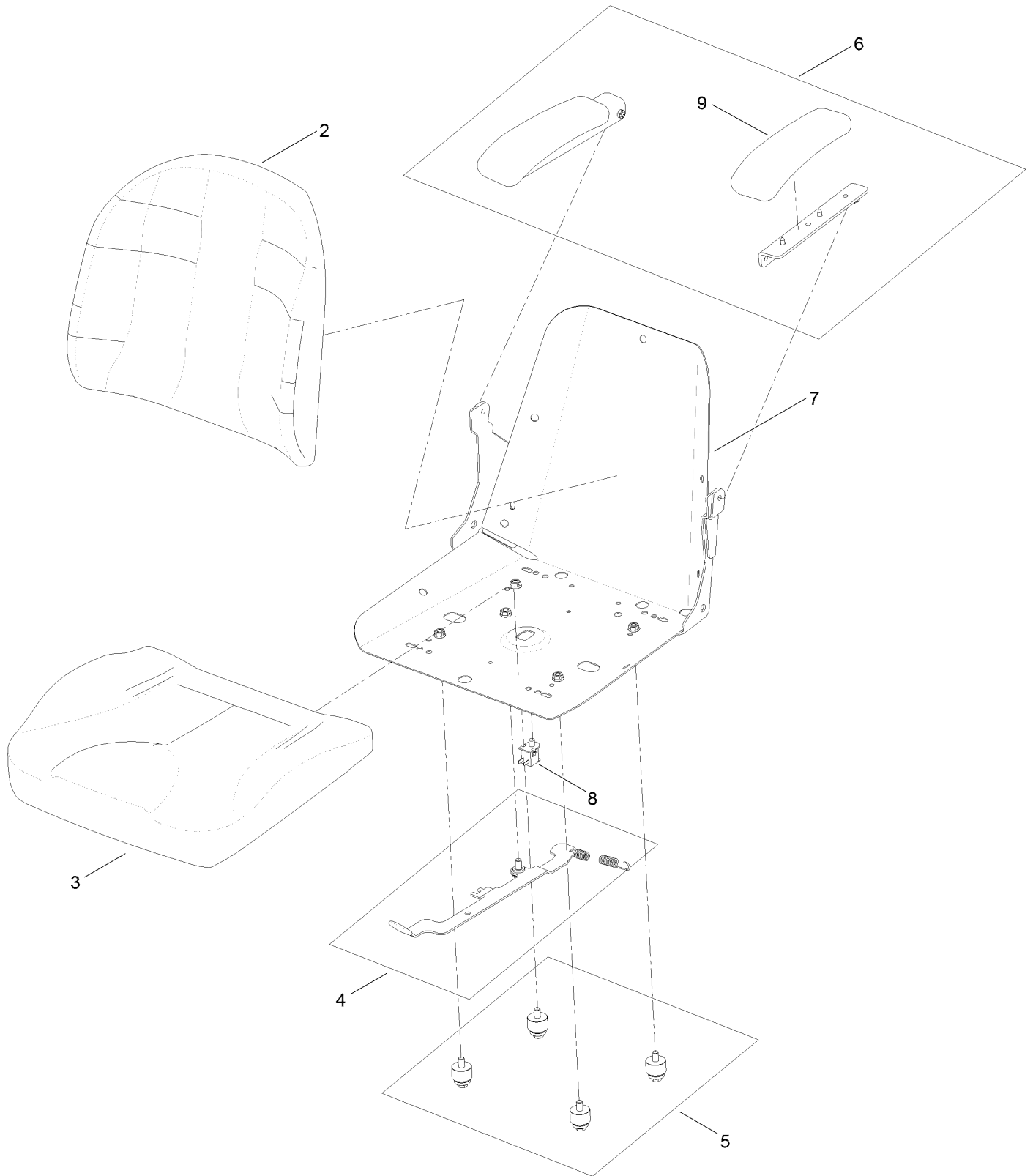
# Seat Assembly



## Seat Assembly (continued)

<i>Ref.</i>	<i>Part Number</i>	<i>Qty.</i>	<i>Description</i>	<i>Ref.</i>	<i>Part Number</i>	<i>Qty.</i>	<i>Description</i>
1	92-7054	3	Spring-Compression	12	132-9353	2	Latch-Seat
2	3234-29	3	Screw-HHF	14	107069	1	Clip
3	104-8300	7	Nut-HF, NI	15	131-1038	1	Bracket-Stop, Seat
4	136-5571-03	1	Pan-Seat, Deluxe	16	99-6810	1	Screw-HHF
5	115-4966	1	Rod-Stop	17	131-4008-03	1	Bracket-Latch, Seat
6	1-413088	2	Bushing-Lever, Lift	18	32144-70	2	Screw-Thd Roll, HWH
7	3290-250	2	Pin-Cotter	19	3274-55	2	Screw-HSBH
8	131-4147	1	Seat ASM	20	19-1470	2	Screw-Shoulder

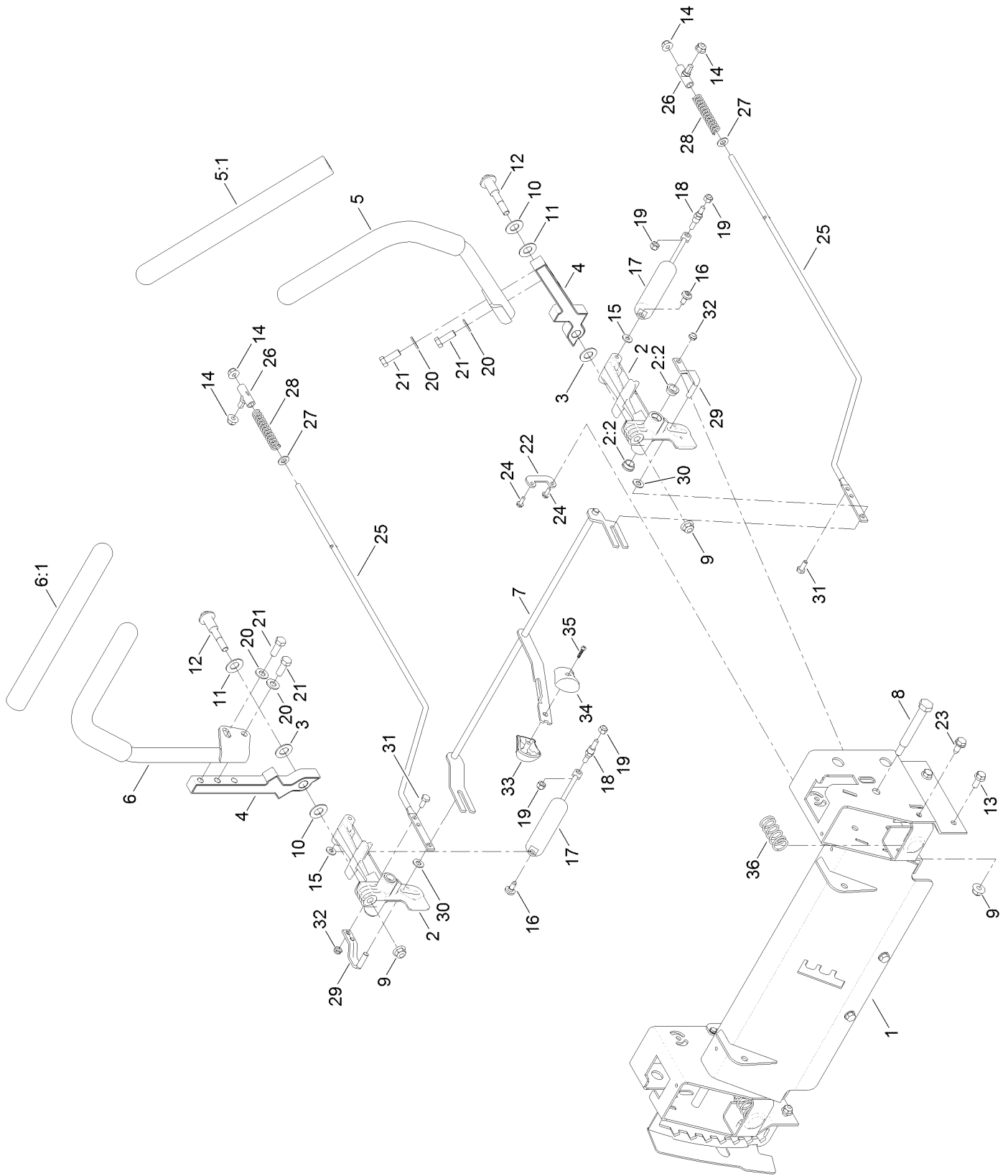
# Seat Assembly No. 131-4147



## Seat Assembly No. 131-4147 (continued)

<i>Ref.</i>	<i>Part Number</i>	<i>Qty.</i>	<i>Description</i>	<i>Ref.</i>	<i>Part Number</i>	<i>Qty.</i>	<i>Description</i>
2	131-4149	1	Cushion-Seat, Back	6	131-4155	1	Armrest Kit
3	131-4151	1	Cushion-Seat, Bottom	7	131-4156	1	Shell
4	131-4153	1	Track ASM	8	82-2190	1	Switch-Bail
5	131-4154	1	Bushing ASM	9	110-4163	2	Cushion-Rest, Arm

# Motion Control Assembly

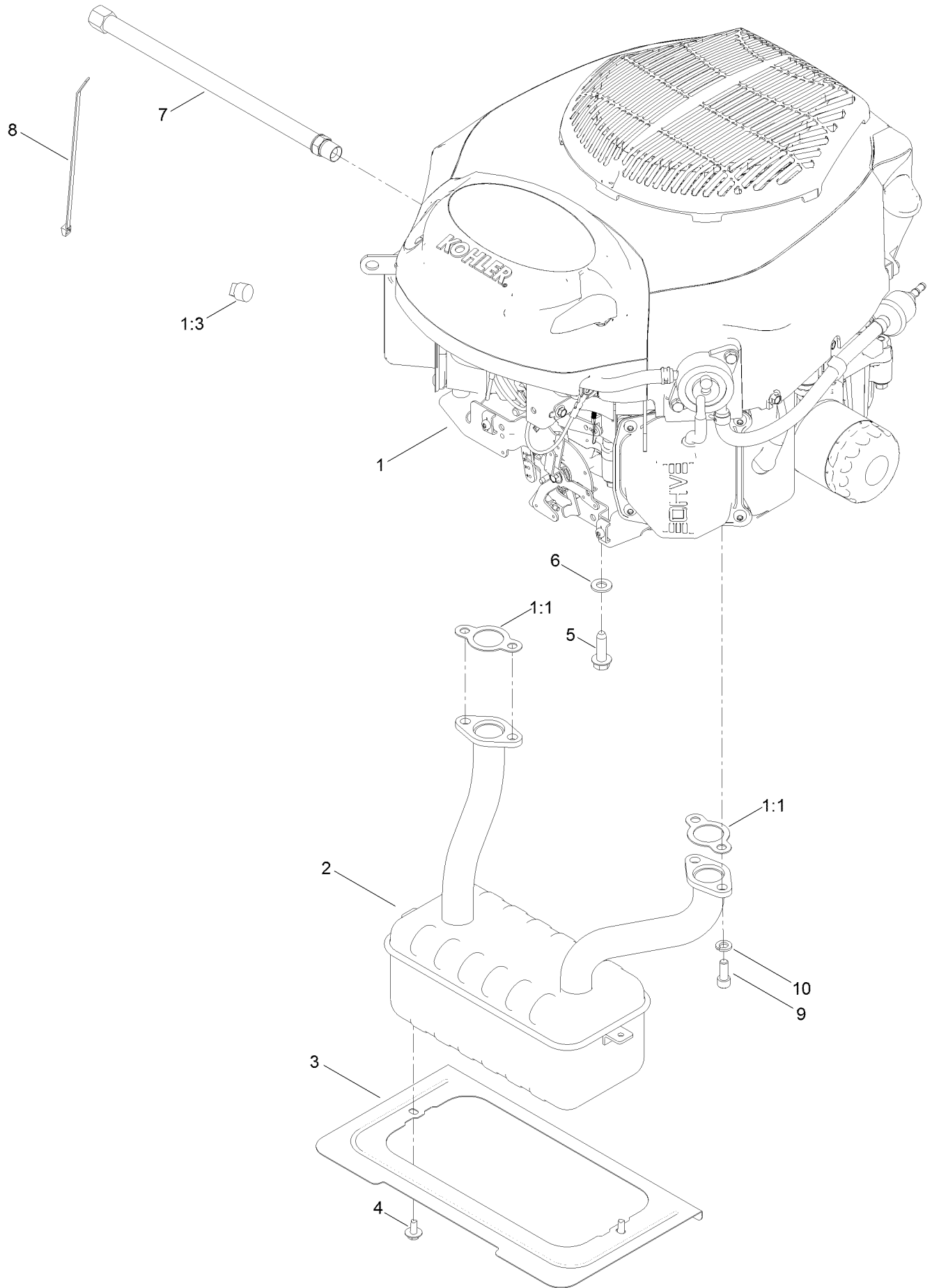




## Motion Control Assembly (continued)

<i>Ref.</i>	<i>Part Number</i>	<i>Qty.</i>	<i>Description</i>	<i>Ref.</i>	<i>Part Number</i>	<i>Qty.</i>	<i>Description</i>
1	136-4155-03	1	Control Box ASM	18	110-6810	2	Stud-Damper
2	119-3470	2	Actuator Arm ASM	19	3296-42	4	Nut-Lock, NI
2:2	256-156	2	Bushing-Flange	20	3256-24	4	Washer-Flat
3	120-2273	2	Washer-Nylon	21	323-6	4	Screw-HH
4	115-5098-05	2	Lever-Control	22	117-5385	2	Retainer
5	121-0730	1	Handle-Control, LH	23	32144-70	4	Screw-Thd Roll, HWH
5:1	121-0726	1	Grip	24	32144-1	4	Screw-Taptite
6	121-0731	1	Handle-Control, RH	25	117-5388	2	Rod-Hydro
6:1	121-0726	1	Grip	26	119-8842	2	Mount-Rod, Hydro
7	131-1062	1	Speed Control ASM	27	3256-23	2	Washer-Plain
8	115-5099	2	Bolt-Pivot	28	1-603807	2	Spring-Return, Neutral
9	104-8301	4	Nut-HF, NI	29	119-3303	2	Pin-Rod, Hydro
10	117-1240	2	Washer	30	93-6079	2	Spacer-Nylon
11	119-8925	2	Washer-Belleville	31	321-3	2	Screw-HH
12	117-1198	2	Bolt-Pivot	32	3296-56	2	Nut-Lock, NI
13	3234-47	6	Screw-HHF	33	119-8935	1	Knob-RH
14	104-8300	10	Nut-HF, NI	34	119-8936	1	Knob-LH
15	119-8952	2	Washer	35	94-4496	1	Screw-PPH
16	120-7950	2	Screw-Shoulder	36	119-8876	2	Spring-Return
17	131-0964	2	Damper				

# Engine and Muffler Assembly



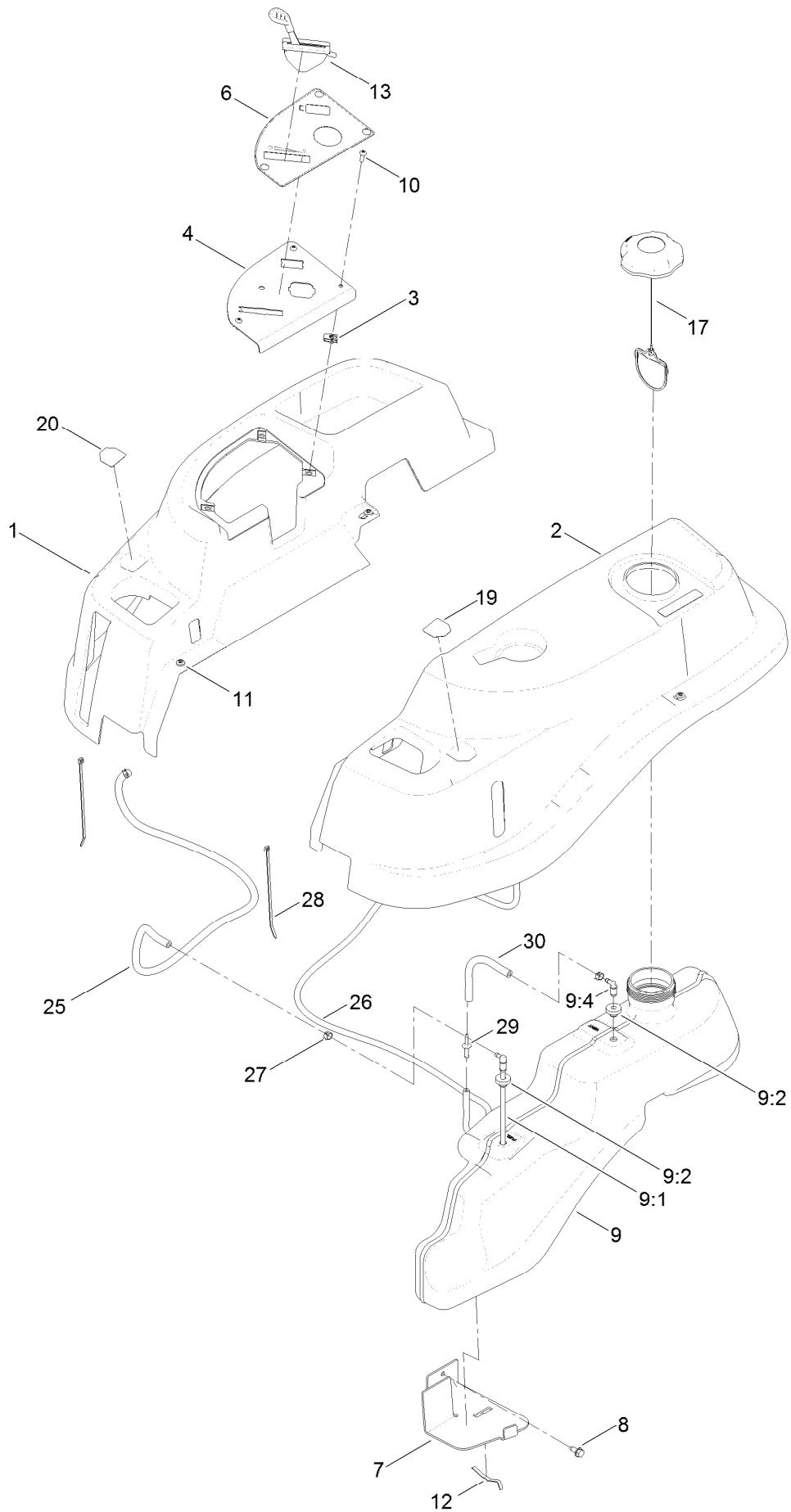
## Engine and Muffler Assembly (continued)

<i>Ref.</i>	<i>Part Number</i>	<i>Qty.</i>	<i>Description</i>	<i>Ref.</i>	<i>Part Number</i>	<i>Qty.</i>	<i>Description</i>
1		1	Engine-Kohler 24HP 7000 Series Autochoke ●■	5	32144-109	4	Screw-Taptite
1:1	110-6697	2	Gasket-Exhaust	6	3256-24	3	Washer-Flat
1:3	281-2	1	Plug-Pipe, SQH	7	117-1261	1	Hose-Drain, Oil
2	130-0676	1	Muffler	8	614249	1	Tie-Cable
3	131-1071-03	1	Shield-Heat	9	3274-10	4	Screw-HSH
4	46-8560	2	Screw-HHFTF	10	3253-4	4	Washer-Lock

● Not serviced separately

■ Obtain parts from [www.kohlerplus.com](http://www.kohlerplus.com)

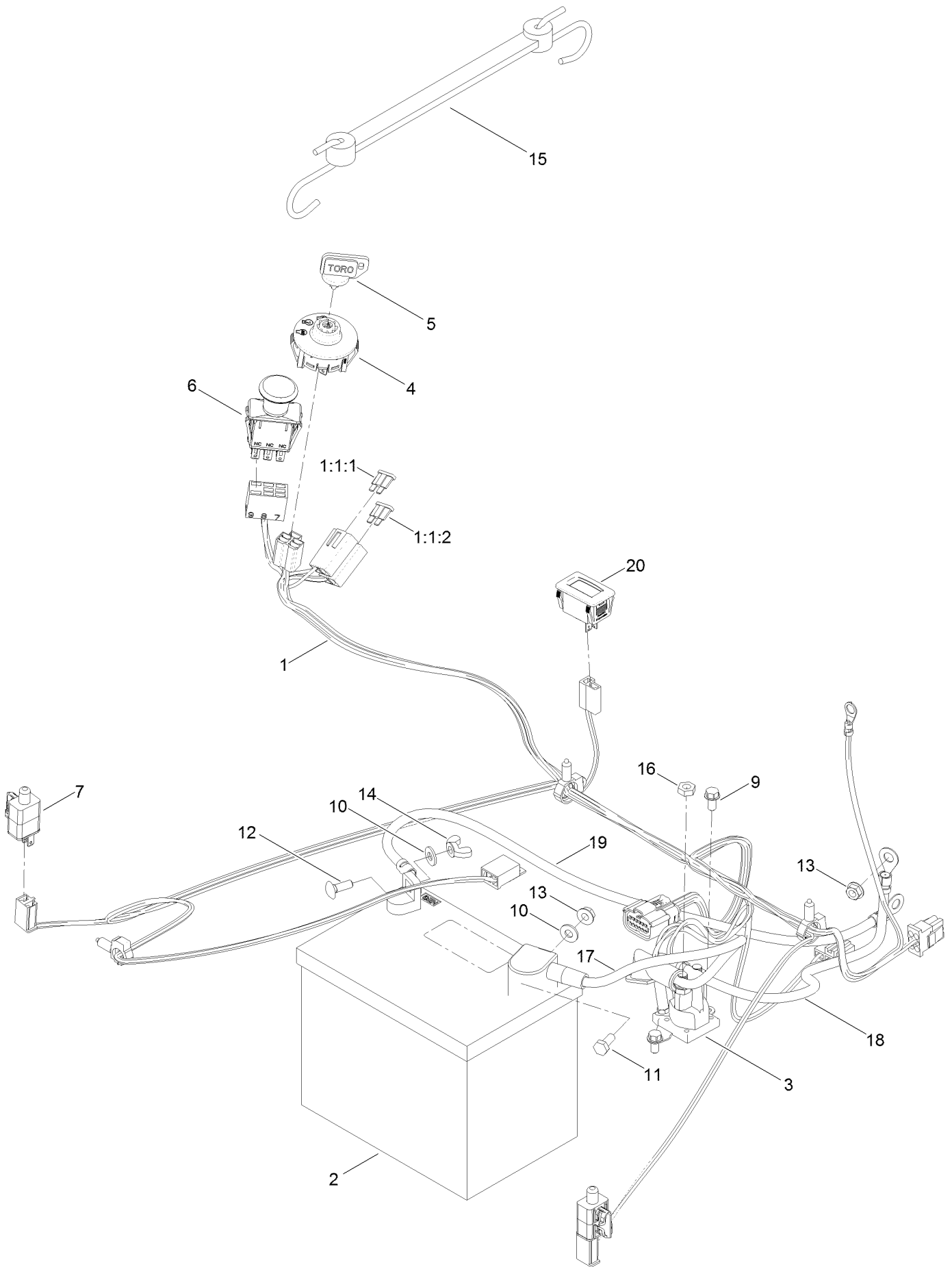
# Body Styling and Fuel Assembly



## Body Styling and Fuel Assembly (continued)

<i>Ref.</i>	<i>Part Number</i>	<i>Qty.</i>	<i>Description</i>	<i>Ref.</i>	<i>Part Number</i>	<i>Qty.</i>	<i>Description</i>
1	119-3338	1	Pod-RH	11	120-7950	6	Screw-Shoulder
2	119-3337	1	Pod-LH	12	609830	2	Spring
3	107069	3	Clip	13	131-1006	1	Cable-Throttle
4	119-3377-03	1	Plate-Control	17	120-5461	1	Cap-Fuel, Ratcheting
6	131-4162	1	Decal-Panel, Control	19	119-8814	1	Decal-Lever, Control (LH)
7	119-3395-03	1	Support-Tank, Front	20	119-8815	1	Decal-Lever, Control (RH)
8	32144-70	2	Screw-Thd Roll, HWH	25	109-0273	1	Hose-Fuel
9	119-3324	1	Fuel Tank ASM	26	108-9698	1	Hose-Fuel
9:1	121-0793	1	Connector-Elbow, 90 DEG	27	2412-98	3	Clamp-Hose
9:2	46-6560	2	Bushing	28	614249	3	Tie-Cable
9:4	117-7400	1	Fitting-Plastic	29	117-5399	1	Adaptor-Orifice
10	3258-166	3	Screw-PRH	30	110-1876	1	Hose-Fuel

# Battery and Electrical Assembly

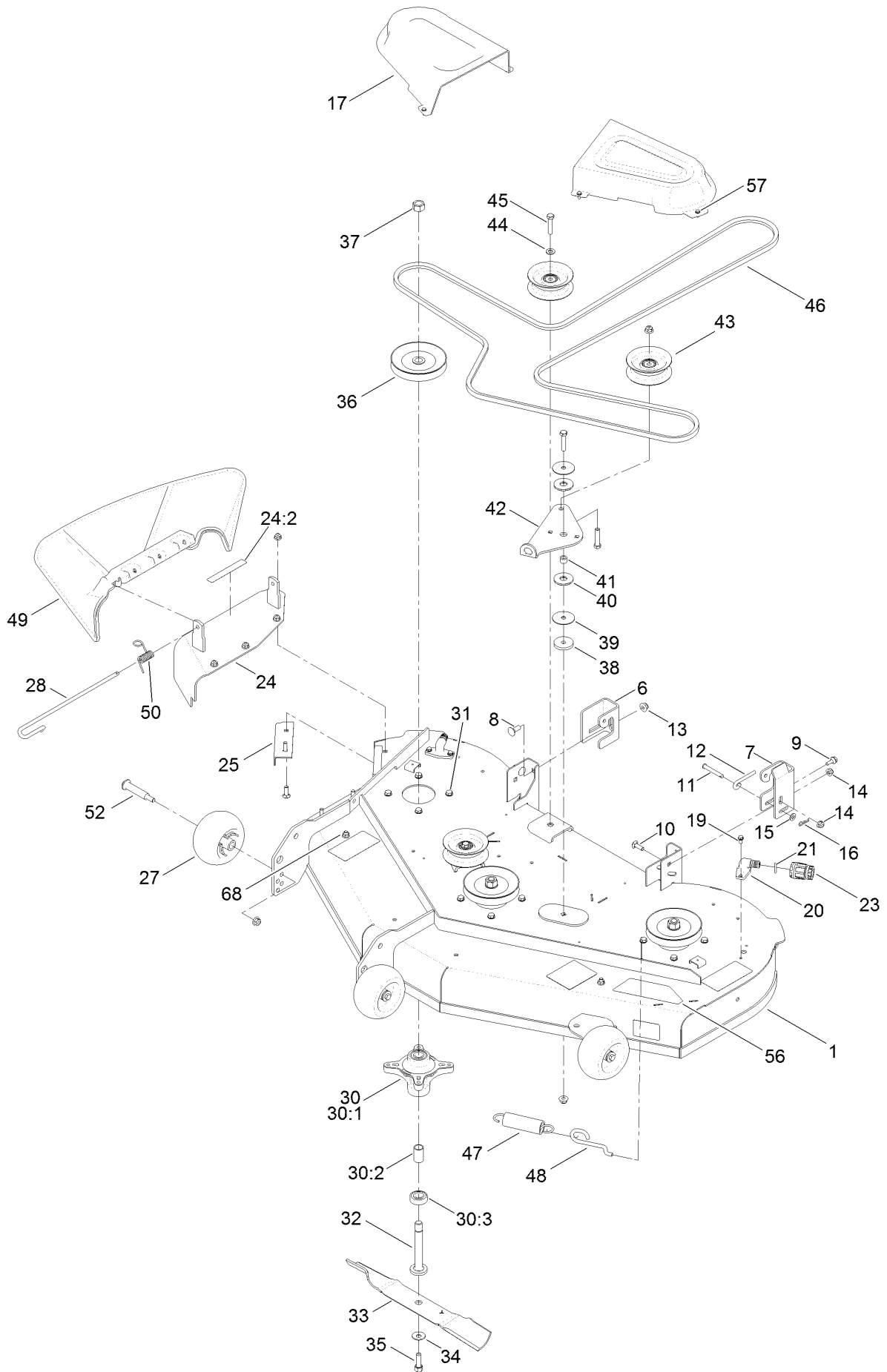


## Battery and Electrical Assembly (continued)

<i>Ref.</i>	<i>Part Number</i>	<i>Qty.</i>	<i>Description</i>	<i>Ref.</i>	<i>Part Number</i>	<i>Qty.</i>	<i>Description</i>
1	136-7482	1	Harness-Wire	11	321-3	1	Screw-HH
1:1:1	109103	1	Fuse-Blade, 30 Amp	12	3229-1	1	Bolt-CARR
1:1:2	109102	1	Fuse-Blade, 25 Amp	13	32128-33	1	Nut-HF
2	105-1692	1	Battery	14	32103-22	1	Nut-Wing
3	117-1197	1	Solenoid	15	104-2466	1	Holddown-Battery
4	117-2221	1	Switch-Ignition	16	3220-2	2	Nut-Jam
5	63-8360	1	Key-Ignition	17	119-8897	1	Cable-Battery, Red
6	103-5221	1	Switch-PTO	18	121-0711	1	Cable-Battery, Positive
7	110-6765	2	Switch	19	121-5726	1	Cable-Battery, Black
9	32144-4	2	Screw-HWH	20	120-2244	1	Hourmeter
10	3256-22	2	Washer-Flat	25	32128-33	1	Nut-HF ●

● Not illustrated

# 50 Inch Deck Assembly

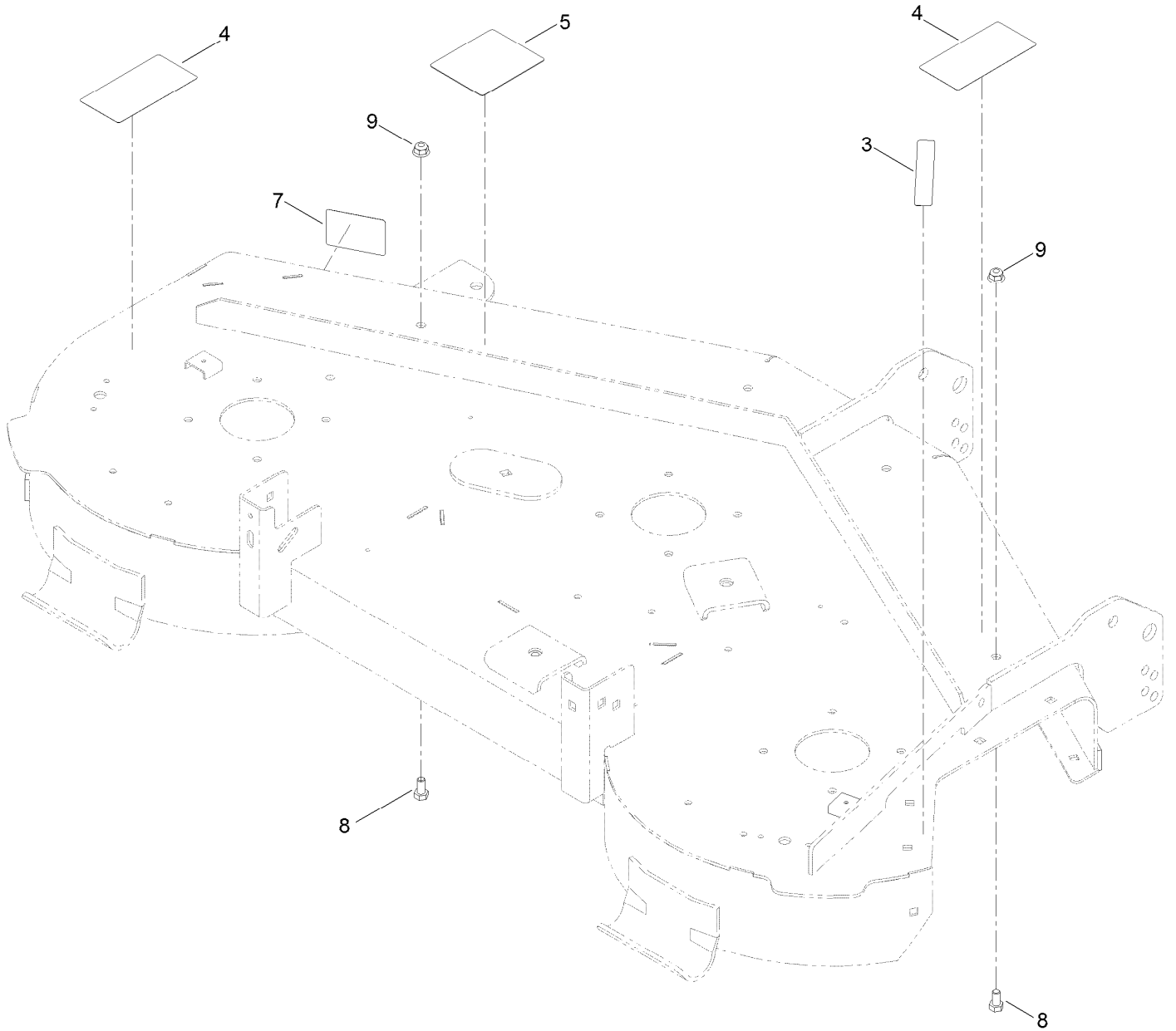




## 50 Inch Deck Assembly (continued)

<i>Ref.</i>	<i>Part Number</i>	<i>Qty.</i>	<i>Description</i>	<i>Ref.</i>	<i>Part Number</i>	<i>Qty.</i>	<i>Description</i>
1	131-3614	1	Deck And Decal ASM	30:3	38-7820	2	Bearing-Ball
6	131-4138	1	Bracket-Hanger, RH	31	32144-41	12	Screw-Taptite
7	131-3935	1	Bracket-Hanger, LH	32	117-7268	3	Shaft-Spindle
8	3231-2	2	Bolt-CARR	33	115-5059-03	3	Blade-Hi Lift
9	120-7024	1	Screw-Shoulder, HHF	34	3290-465	3	Washer-Belleville
10	3230-22	5	Screw-CARR	35	26-0671	3	Screw-HH
11	110-0618	1	Pin-Clevis	36	125-5575	3	Pulley
12	131-0955	1	Rod-Level, Deck	37	3219-6	3	Nut-Hex
13	104-8301	7	Nut-HF, NI	38	110-9981	1	Washer-Plain
14	104-8300	8	Nut-HF, NI	39	120-2229	2	Washer
15	3256-23	1	Washer-Plain	40	114-0463	2	Washer-Friction, Composite
16	1-806003	1	Pin-Cotter	41	115-4986	1	Spacer
17	108-7890	2	Cover-Belt	42	114-8540	1	Arm-Idler
19	32144-4	4	Screw-HWH	43	106-2175	3	Pulley-Idler, Flat
20	95-2747	2	Fitting-Washout	44	3256-24	2	Washer-Flat
21	46-6290	2	O-Ring	45	323-9	4	Screw-HH
23	95-3270	1	Connector-Hose	46	119-8820	1	V-Belt
24	131-3962	1	Cover ASM W/Decal	47	1-603414	1	Spring-Extension
24:2	93-7009	1	Decal-Danger	48	112-3973	1	Hook-Return, Spring
25	120-7951-03	1	Baffle-Cutoff	49	121-0739	1	Deflector-Discharge
27	1-603299	3	Roller-Scalp, Anti	50	121-2983	1	Spring-Torsion
28	109-8854	1	Pin-Chute	52	112-3977	3	Bolt-Shoulder
30	121-0751	3	Spindle ASM	56	121-0792	1	Decal-Deck
30:1	117-7267	1	Spindle	57	32144-1	6	Screw-Taptite
30:2	120-7935	2	Spacer	68	322-2	2	Screw-HH

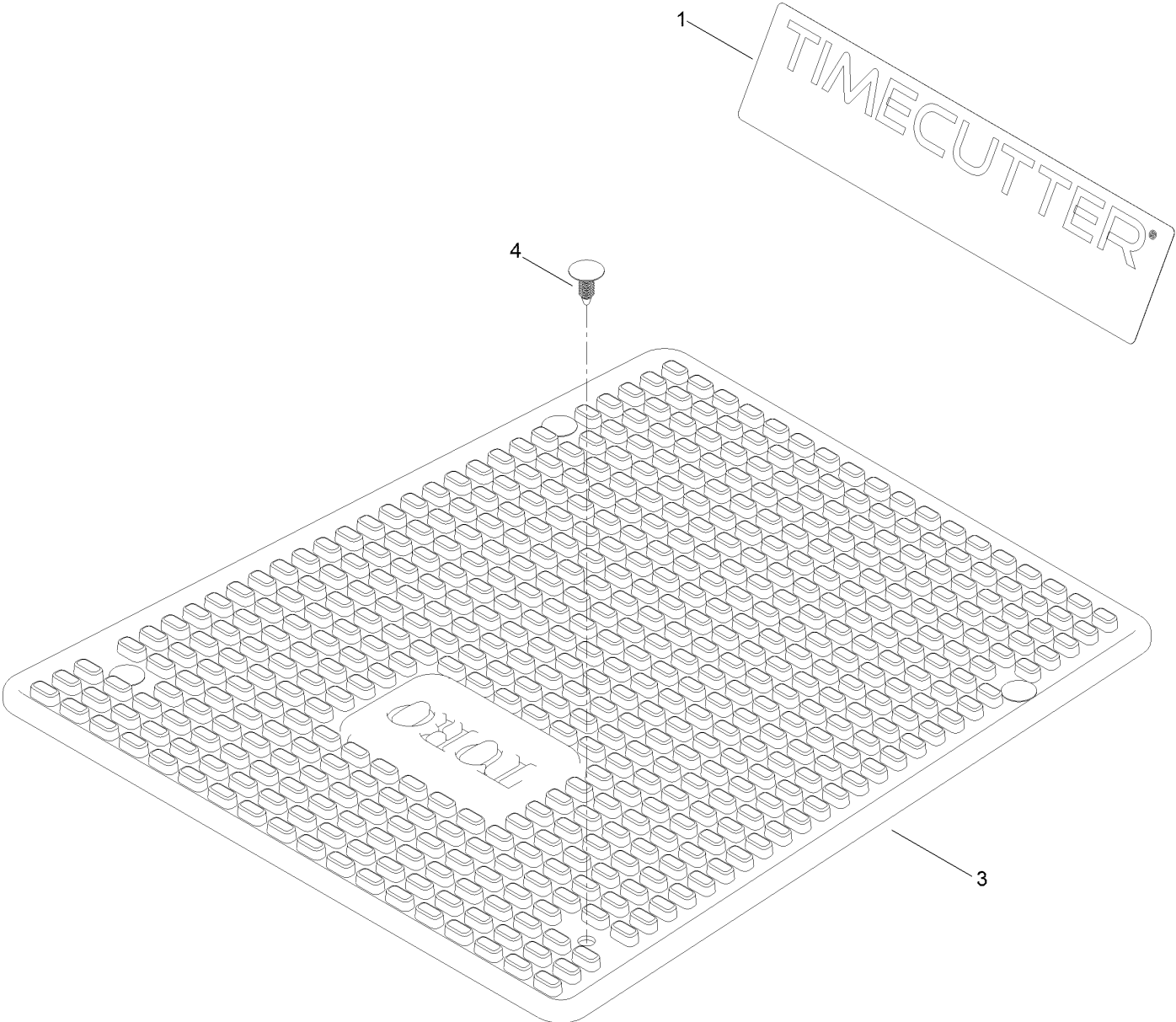
# 50 Inch Deck and Decal Assembly No. 131-3614



# 50 Inch Deck and Decal Assembly No. 131-3614 (continued)

<i>Ref.</i>	<i>Part Number</i>	<i>Qty.</i>	<i>Description</i>	<i>Ref.</i>	<i>Part Number</i>	<i>Qty.</i>	<i>Description</i>
3	93-7009	1	Decal-Danger	7	112-9840	1	Decal-Scalp, Anti
4	132-0872	2	Decal-Danger, Deck	8	322-2	2	Screw-HH
5	99-3943	1	Decal-Routing, Belt	9	104-8300	2	Nut-HF, NI

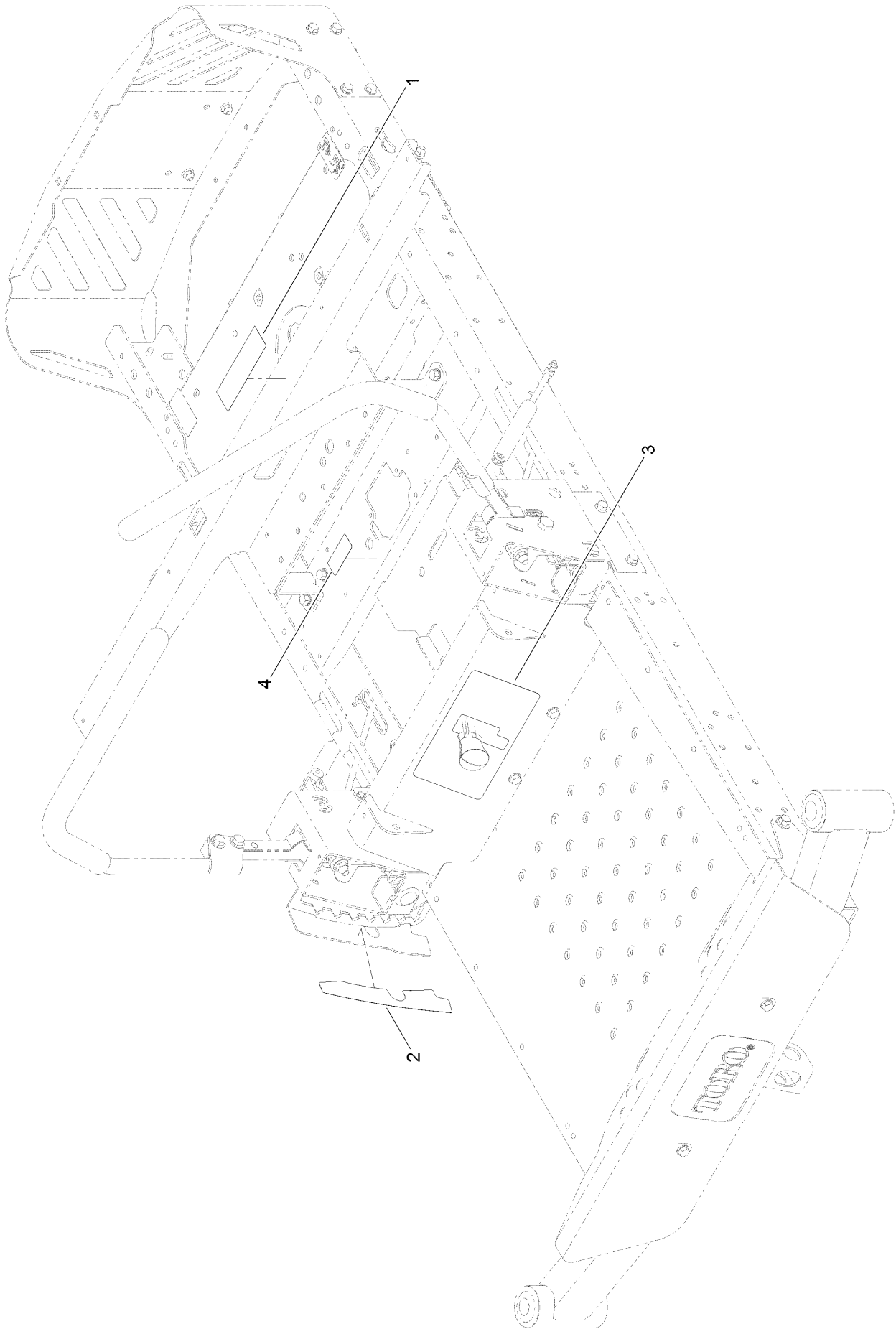
# Decal and Floor Mat Assembly



## Decal and Floor Mat Assembly (continued)

<i>Ref.</i>	<i>Part Number</i>	<i>Qty.</i>	<i>Description</i>
1	131-3655	1	Decal-Timecutter
3	132-6895	1	Mat-Floor
4	117-2382	4	Plug-Plastic

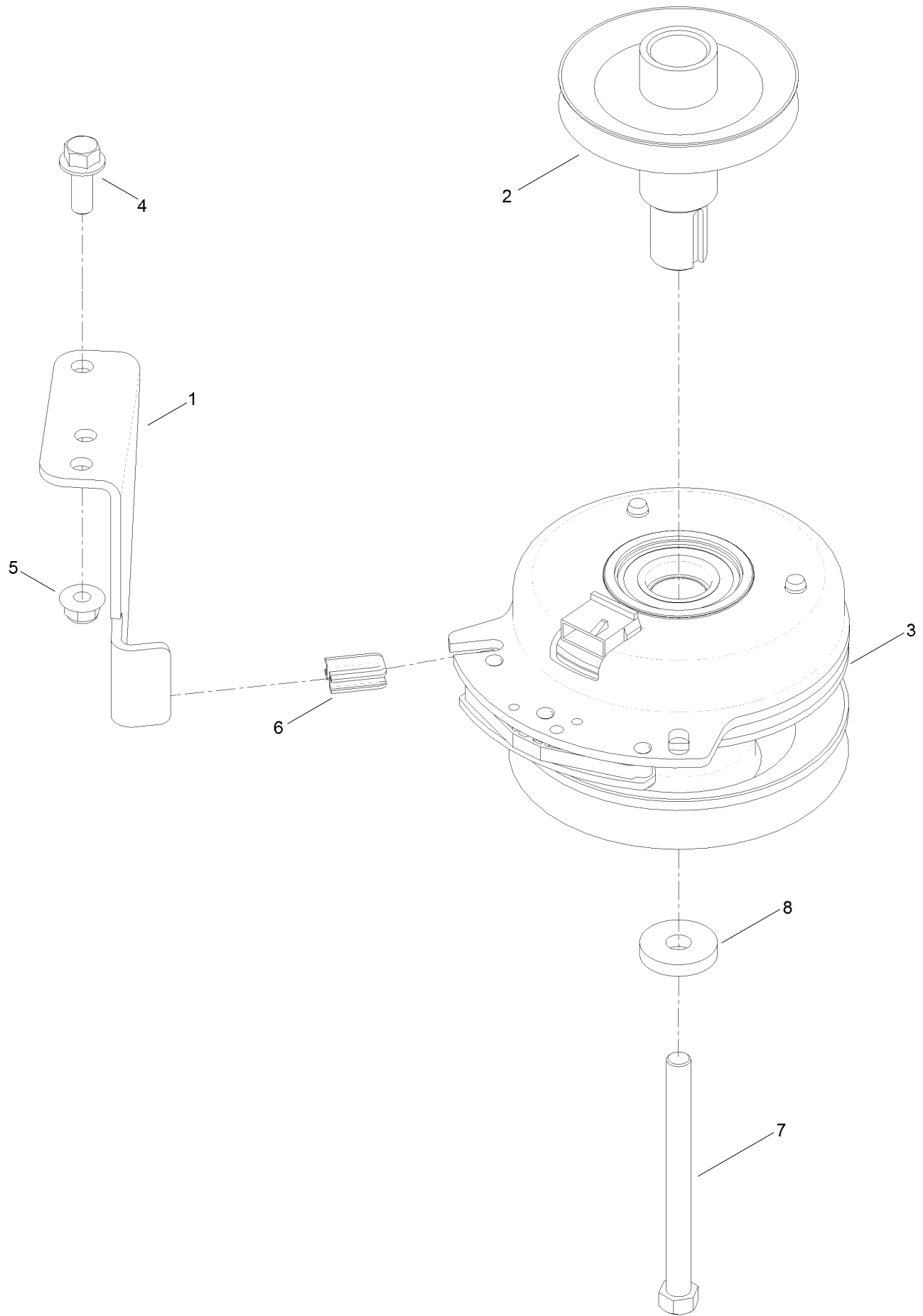
# Frame Decal Assembly



## Frame Decal Assembly (continued)

<i>Ref.</i>	<i>Part Number</i>	<i>Qty.</i>	<i>Description</i>	<i>Ref.</i>	<i>Part Number</i>	<i>Qty.</i>	<i>Description</i>
1	106-8717	1	Decal-Service, CE	3	131-3947	1	Decal-Control, Speed
2	119-8870	1	Decal-HOC	4	121-5684	1	Decal-Location, Service Dealer

# Clutch Assembly





## Clutch Assembly (continued)

<i>Ref.</i>	<i>Part Number</i>	<i>Qty.</i>	<i>Description</i>	<i>Ref.</i>	<i>Part Number</i>	<i>Qty.</i>	<i>Description</i>
1	119-8885	1	Stop-Clutch	5	104-8301	1	Nut-HF, NI
2	130-6854	1	Pulley-Engine	6	120-2217	1	Isolator-Clutch
3	127-3410	1	Clutch-PTO	7	3212-19	1	Screw-HH
4	3234-42	1	Screw-HHF	8	112843	1	Washer

# Attachments and Accessories

## For 74770 TimeCutter MX 5050 Riding Mower

<b>Product Name</b>	<b>Model/Part</b>
All Season Synthetic Oil.....	117-0066
Bagging Enhancement Kit .....	121-5692
Striping Kit .....	121-5706
Jack Mount Kit .....	126-5251
Jack Kit .....	127-6666
Fuel Stabilizer .05 oz .....	130-2393
4-Cycle Fuel, Snow And Lawn 32oz Can .....	131-3823
Attachment Mount Kit .....	131-3966
Toro Premium Fuel Treatment 12 Oz Bottle .....	131-6572
Weight Kit .....	131-7658
Seat ASM .....	136-5598
10w30 4-cycle Engine Oil (32oz Bottle) .....	38280
Toro 4-cycle Sae 30 Oil (32oz Bottle).....	38903
Storage Cover .....	490-7516
Blade Kit .....	79016P
50in Recycler Kit.....	79024
Assist Handle and Step Kit .....	79339
50in Bagger .....	79395

**Notes:**



**Count on it.**