



Count on it.

Parts Catalog

Power Clear® 621 E Snowthrower

Model No. 38452—Serial No. 313000001 and Up



Ordering Replacement Parts

To order replacement parts, please supply the part number, the quantity, and the description of each part desired.

Understanding Reference Numbers

Each identified part in an illustration has a reference number. The reference number for a part also appears in the parts list, along with other information about the part.

This catalog uses two special reference number formats, one to indicate parts in a service assembly and another to indicate the quantity of a given part in an illustration.

Service Assembly Reference Numbers

Parts in service assemblies have reference numbers in the form a:b. The a represents the reference number of the entire service assembly and the b represents a sequential number unique to each part within the service assembly.

For example, a wheel assembly might be identified by reference number 6, the tire by 6:1, the valve by 6:2, and the wheel by 6:3. When you order the assembly identified by reference number 6, you receive all parts identified by reference numbers 6:1, 6:2, and 6:3. However, you may also order any part individually. Reference numbers of this type appear in illustration and in parts lists.

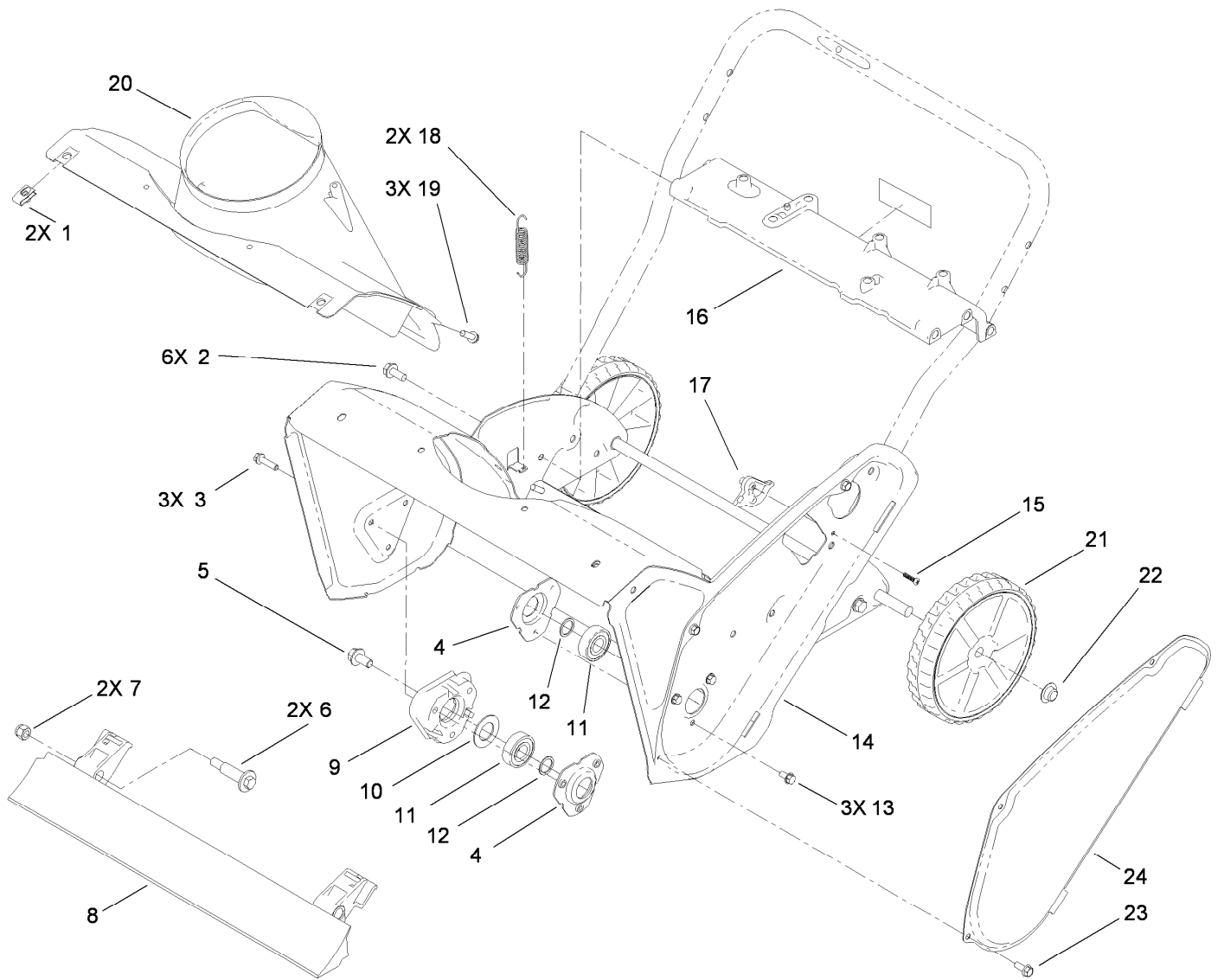
Reference Numbers Indicating Quantity

In an illustration, if a reference number indicates more than one part, the reference number has the form nX y. The n represents the quantity of the part, the X is the multiplication symbol, and the y represents the reference number.

For example, in an illustration, the reference number 2X 37 means that two of the parts identified by reference number 37 are indicated.

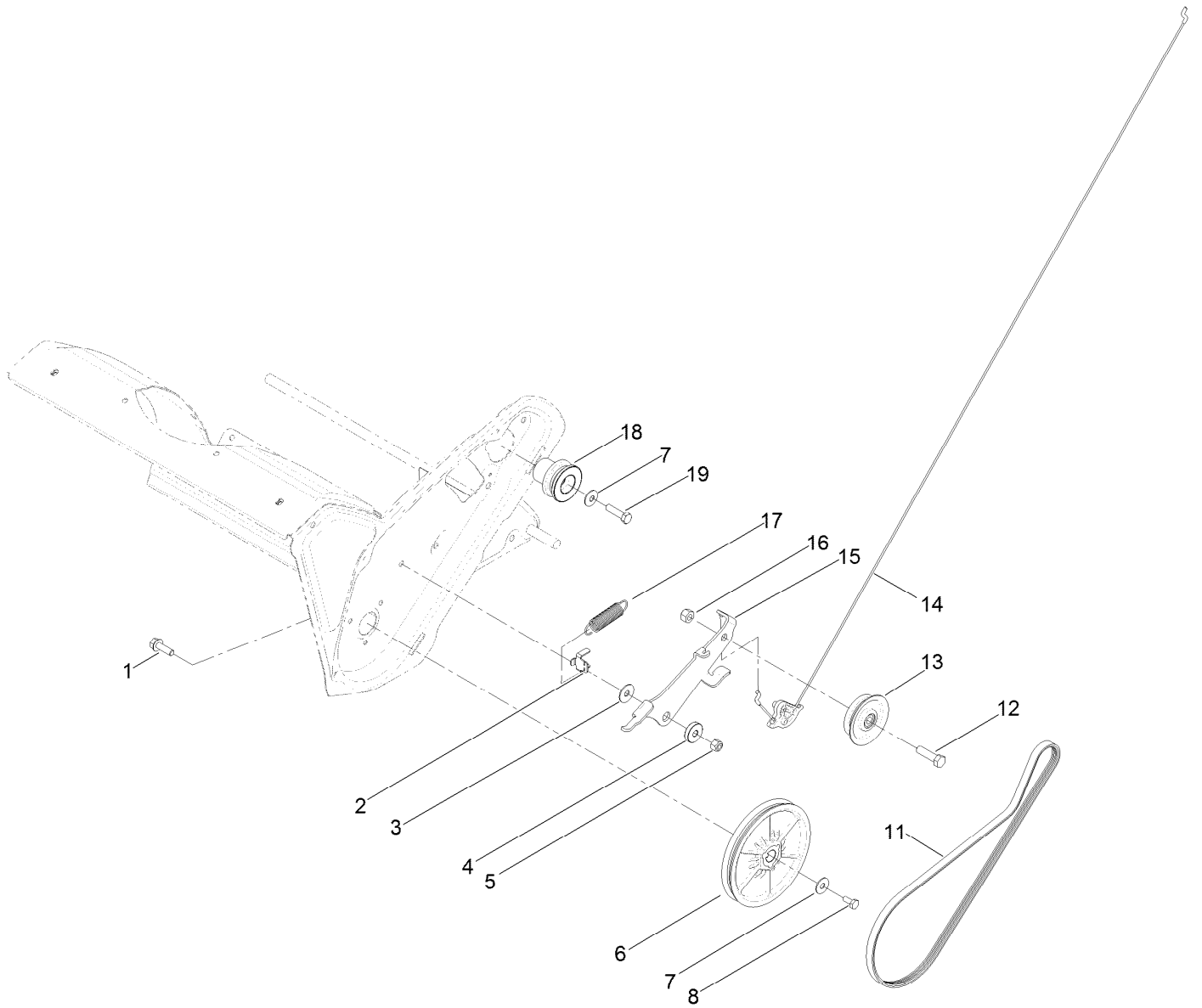
Contents

Main Frame Assembly	4
Clutch Cable Assembly	5
Rotor Assembly	6
Engine Assembly	7
Engine Assembly No. 1.....	8
Engine Assembly No. 2.....	10
Engine Assembly No. 3.....	12
Shroud and Gas Tank Assembly	13
Chute Control Assembly	14
Discharge Chute Control Assembly.....	15
Upper Handle Assembly	16
Attachments and Accessories	17



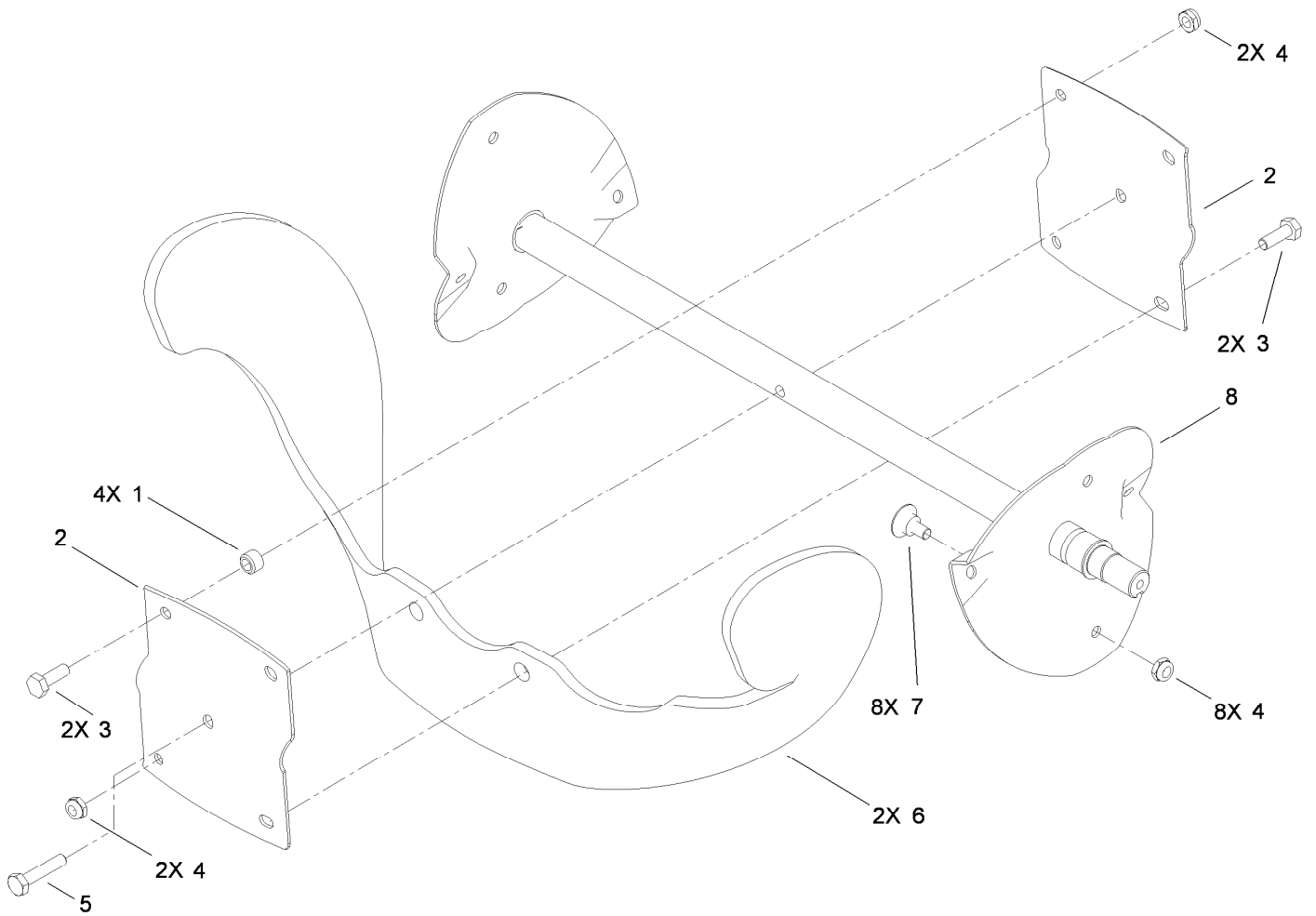
Main Frame Assembly

<i>Ref.</i>	<i>Part Number</i>	<i>Qty.</i>	<i>Description</i>	<i>Ref.</i>	<i>Part Number</i>	<i>Qty.</i>	<i>Description</i>
1	107069	2	Clip	13	32144-4	3	Screw-HWH
2	32144-11	6	Screw-HWHTF	14	108-4868-03	1	Housing-Auger
3	32144-86	3	Screw-HWHTF	15	94-4496	1	Screw-PPH
4	108-4943	2	Flange-Bearing	16	108-4905	1	Brace-Frame
5	110-9380	1	Screw-HWH	17	108-4919	1	Guide-Cable, Clutch
6	56-6590	2	Bolt-Wheel	18	108-4906	2	Spring-Extension
7	3296-39	2	Nut-Lock, NI	19	46-8091	3	Screw-HWH
8	108-4884	1	Blade-Scraper	20	108-4871	1	Chute-Lower
9	114-3781	1	Spacer-Bearing, RH	21	117-2309	2	Wheel ASM
10	110-9353	1	Washer-Rubber	22	32112-14	2	Nut-Push
11	100-1048	2	Bearing-Ball	23	32144-85	3	Screw-HWH
12	52-7280	2	Washer-Thrust	24	108-4893-03	1	Cover-Belt



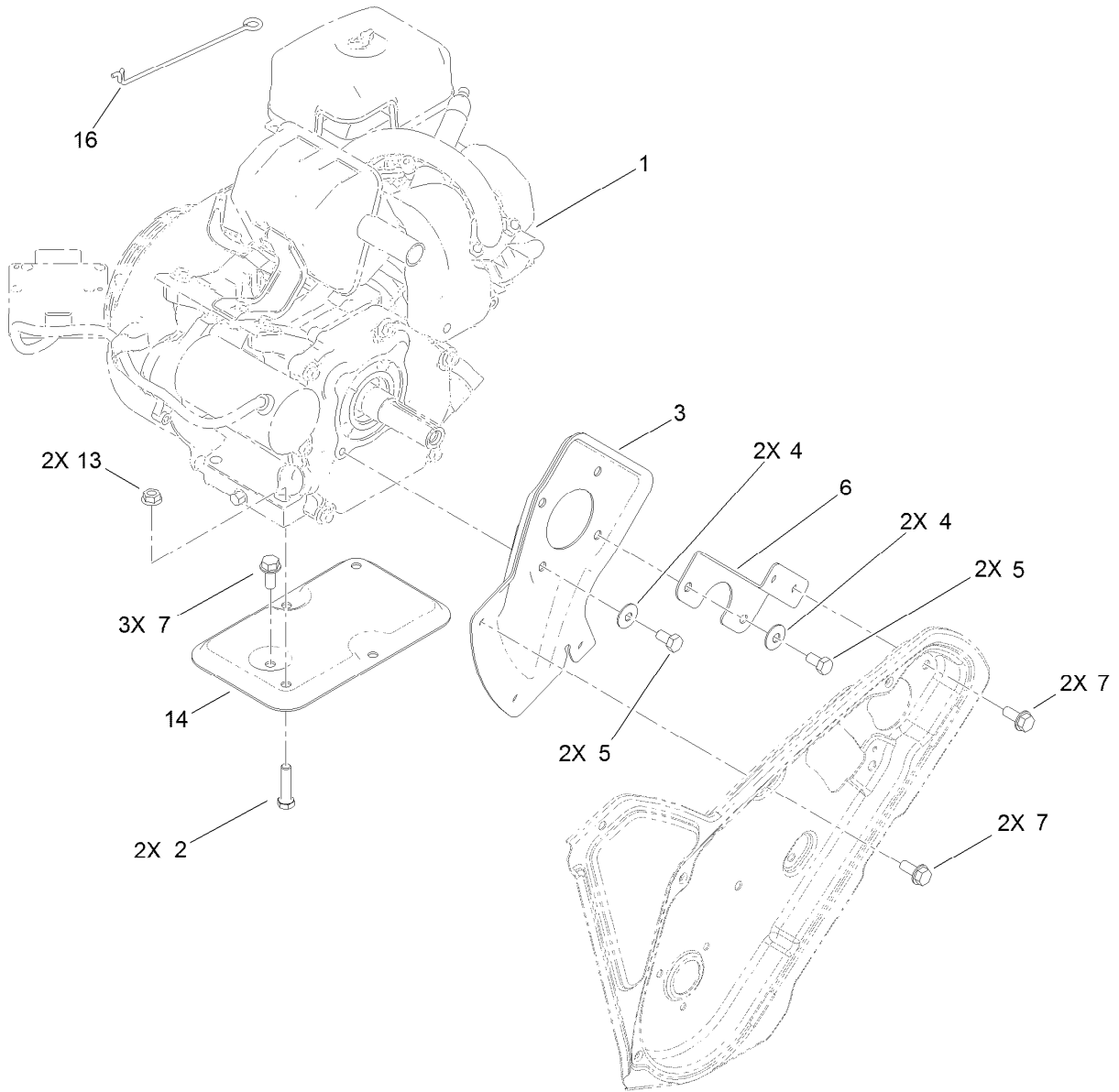
Clutch Cable Assembly

<i>Ref.</i>	<i>Part Number</i>	<i>Qty.</i>	<i>Description</i>	<i>Ref.</i>	<i>Part Number</i>	<i>Qty.</i>	<i>Description</i>
1	3234-29	1	Screw-HHF	12	323-29	1	Screw-HH
2	108-4938	1	Clip-Spring, Brake	13	114-3785	1	Pulley-Idler
3	108-4925	1	Washer	14	117-9145	1	Cable-Clutch
4	108-4916	1	Bushing-Pivot	15	114-3782	1	Arm-Idler
5	3296-29	1	Nut-Lock, NI	16	32152-2	1	Nut-Lock, Cone
6	107-9287	1	Rotor Pulley ASM	17	121-6630	1	Spring-Extension
7	3290-456	2	Washer-Belleville	18	121-6605	1	Pulley-Engine
8	110-9381	1	Screw-HH	19	121-6646	1	Screw-HH
11	108-4921	1	Belt-Drive				



Rotor Assembly

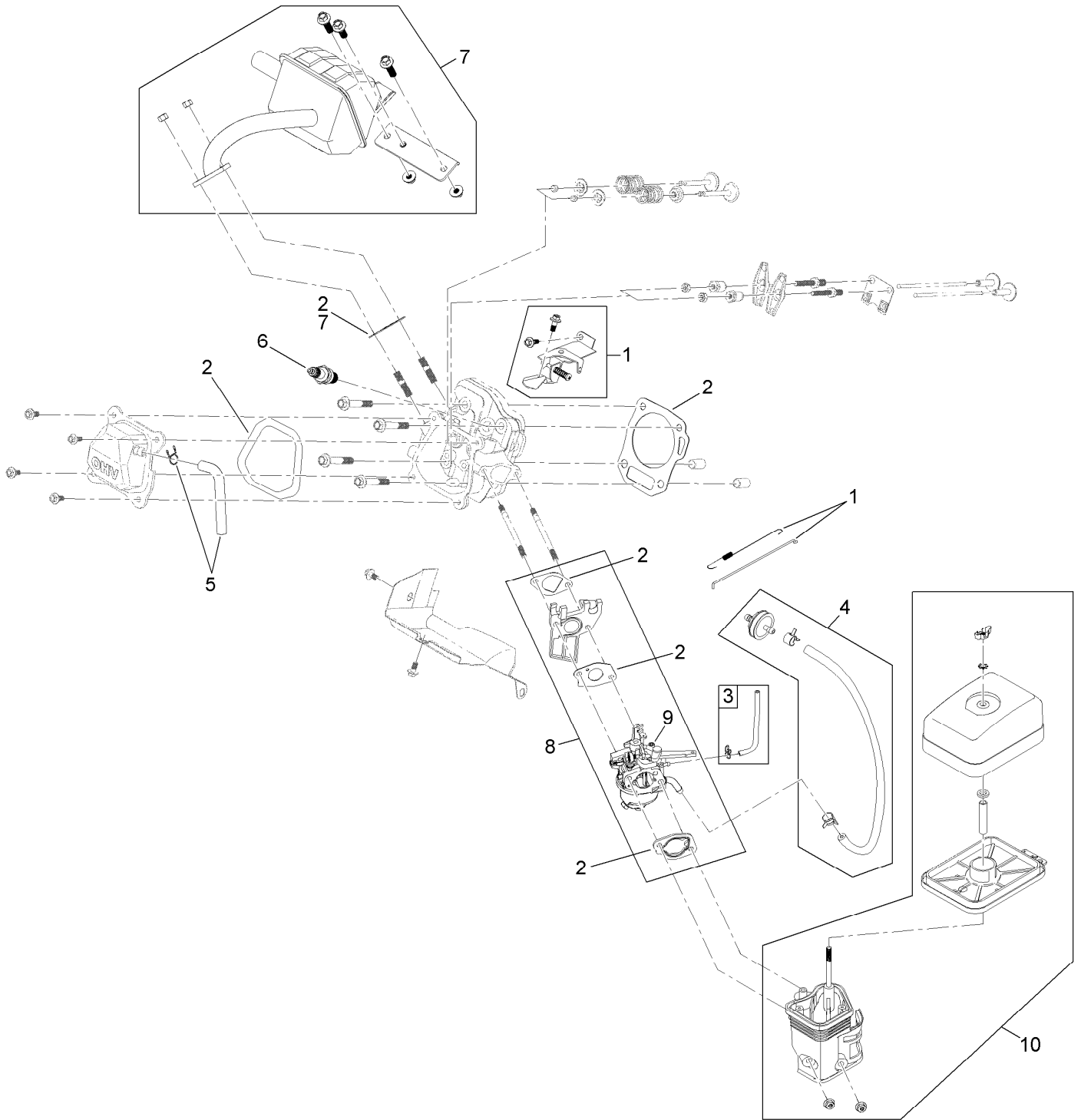
Ref.	Part Number	Qty.	Description
1	55-9370	4	Spacer-Blade, Rotor
2	66-6600-03	2	Half-Rotor
3	321-4	4	Screw-HH
4	3296-56	13	Nut-Lock, NI
5	321-8	1	Screw-HH
6	99-9313	2	Blade-Rotor
7	84-1971	8	Screw
8	108-4894-03	1	Rotor



Engine Assembly

<i>Ref.</i>	<i>Part Number</i>	<i>Qty.</i>	<i>Description</i>
1	121-0427	1	Engine-Lc168Fds-1
2	322-17	2	Screw-HH
3	108-4892-03	1	Plate-Engine, PTO
4	3290-456	4	Washer-Belleville
5	33114-016	4	Screw-HH
6	110-9354-03	1	Support-Engine, Side
7	32144-11	7	Screw-HWHTF
13	32128-20	2	Nut-HF
14	117-6037-03	1	Support-Engine
16	117-6040	1	Link-Knob, Choke

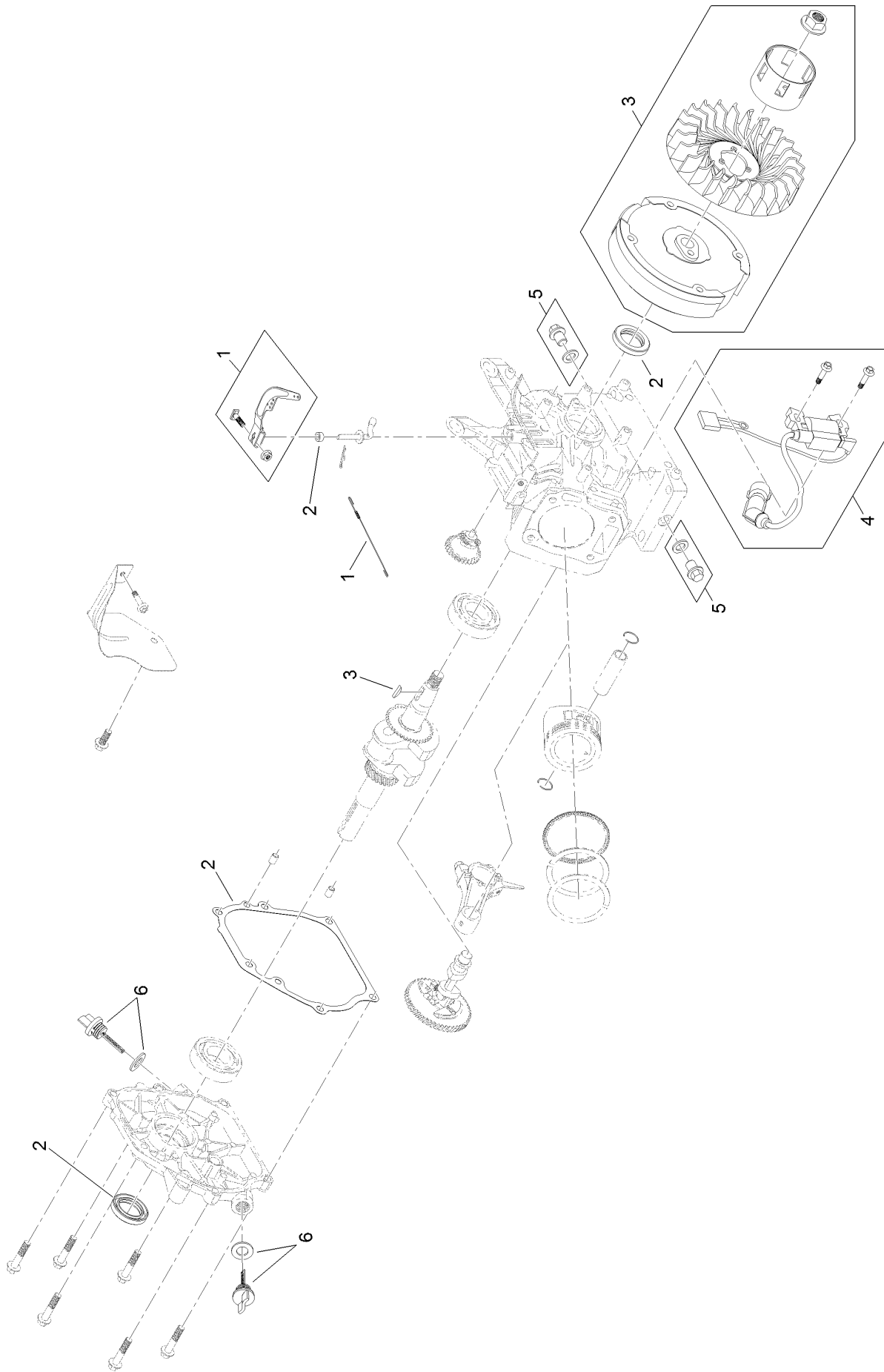
Engine Assembly No. 1



Engine Assembly No. 1 (continued)

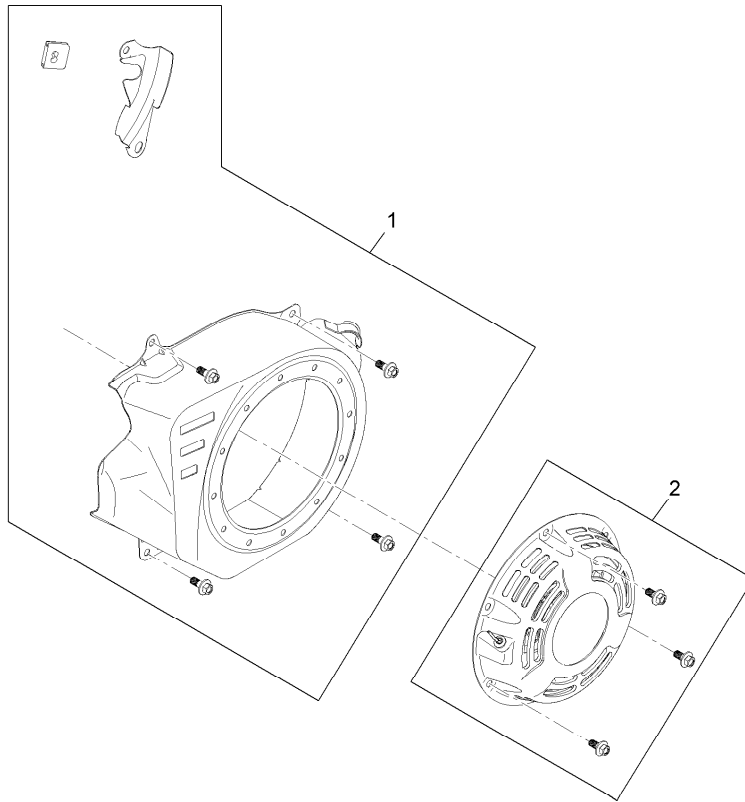
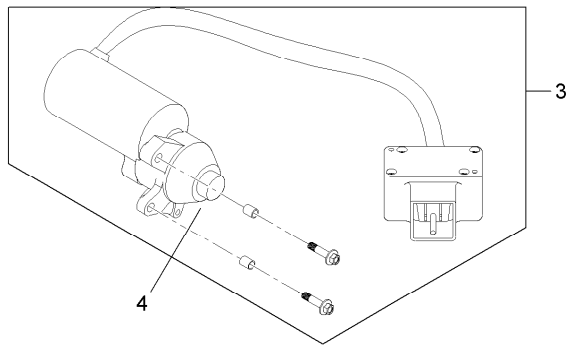
<i>Ref.</i>	<i>Part Number</i>	<i>Qty.</i>	<i>Description</i>	<i>Ref.</i>	<i>Part Number</i>	<i>Qty.</i>	<i>Description</i>
1	119-1957	1	Governor Kit	7	119-1954	1	Muffler Kit
2	119-1955	1	Gasket And Seal Kit	8	120-4418	1	Complete Carburetor Service Kit
3	119-1949	1	Primer Line Kit	9	120-4416	1	Carb Float, Valve And Gasket Kit
4	120-4402	1	Fuel Line Kit	10	119-1950	1	Heater Box Kit
5	119-1921	1	Breather Tube Kit				
6	119-1901	1	Plug-Spark				

Engine Assembly No. 2



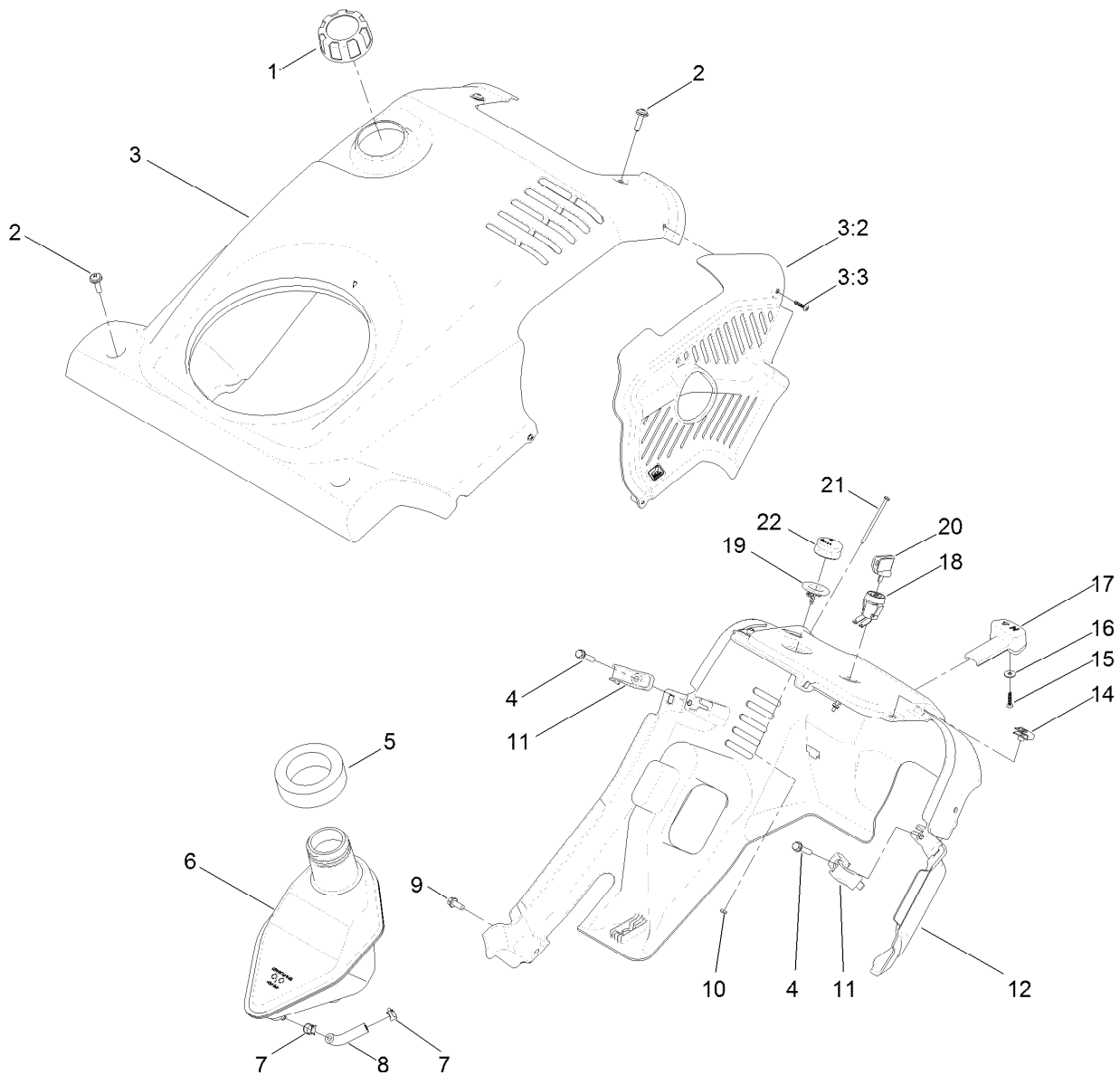
Engine Assembly No. 2 (continued)

<i>Ref.</i>	<i>Part Number</i>	<i>Qty.</i>	<i>Description</i>	<i>Ref.</i>	<i>Part Number</i>	<i>Qty.</i>	<i>Description</i>
1	119-1957	1	Governor Kit	5	119-1923	2	Drain Plug Kit
2	119-1955	1	Gasket And Seal Kit	6	119-1944	2	*obs* Dipstick And O-Ring
3	119-1958	1	Flywheel Kit				Kit
4	119-1959	1	Ignition Kit				



Engine Assembly No. 3

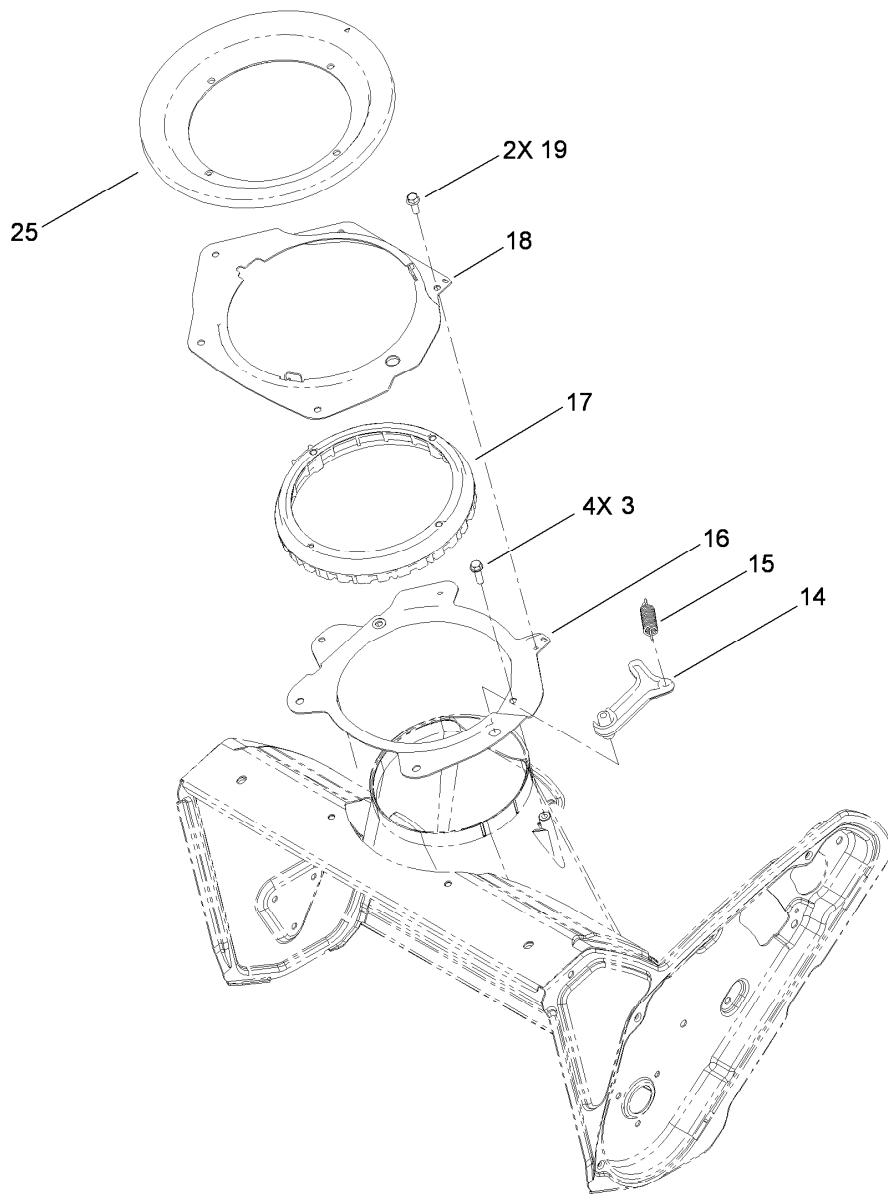
<i>Ref.</i>	<i>Part Number</i>	<i>Qty.</i>	<i>Description</i>
1	119-1946	1	Blower Shroud Kit
2	119-1945	1	Recoil Kit
3	119-1952	1	Electric Starter Kit
4	119-1956	1	Pinion Kit



Shroud and Gas Tank Assembly

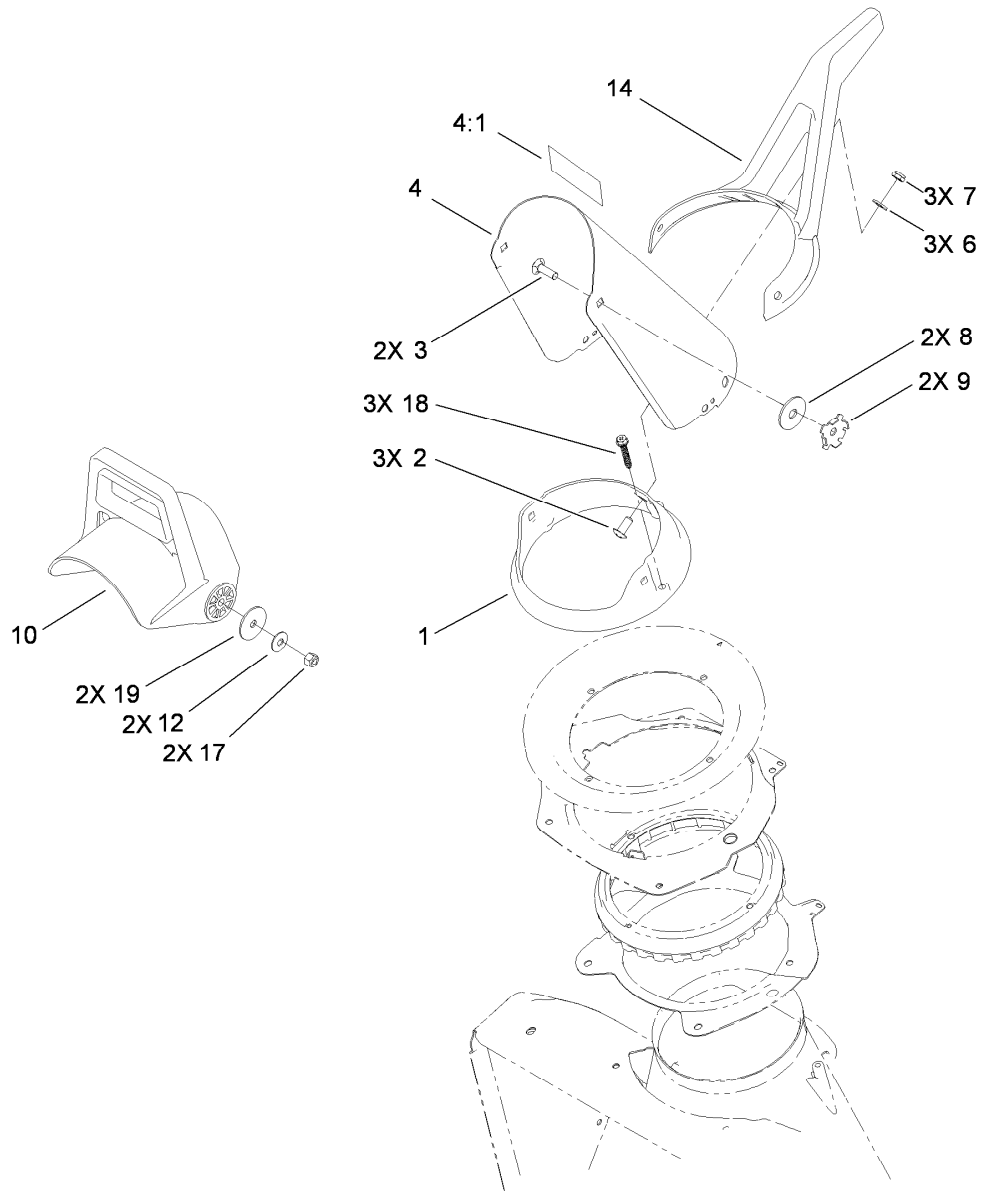
Ref.	Part Number	Qty.	Description
1	125-1117	1	Fuel Cap ASM
2	110-9361	4	Screw-PPH
3	120-7744	1	Shroud ASM
3:2	117-6035	1	Baffle-Exhaust
3:3	94-4496	2	Screw-PPH
4	46-8092	2	Screw-Plastite
5	114-3773	1	Seal-Tank
6	120-9848	1	Tank-Fuel, Gas
7	2412-98	2	Clamp-Hose
8	114-3765	1	Hose-Fuel
9	32144-85	1	Screw-HWH
10	3296-9	2	Nut-Hex

Ref.	Part Number	Qty.	Description
11	108-4947	2	Clip-Shroud
12	117-6046	1	Shroud-Lower
14	107069	2	Clip
15	94-4496	1	Screw-PPH
16	3256-49	1	Washer-Plain
17	117-9100	1	Knob-Choke
18	40-5940	1	Switch
19	44-2750	1	Body-Primer
20	63-8360	1	Key-Ignition
21	117-9106	2	Screw-HWH
22	66-7460	1	Bulb-Primer



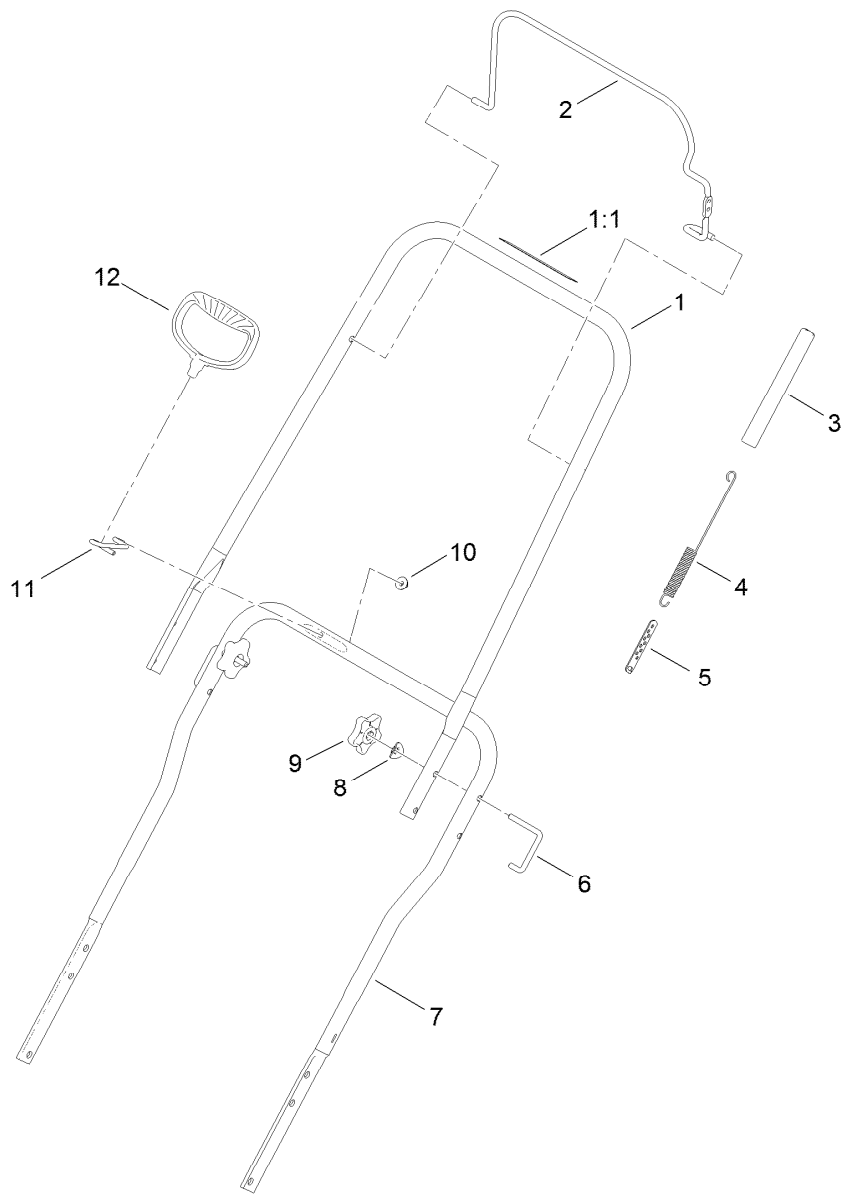
Chute Control Assembly

<i>Ref.</i>	<i>Part Number</i>	<i>Qty.</i>	<i>Description</i>
3	46-8091	4	Screw-HWH
14	108-4926	1	Pawl-Detent
15	80-4600	1	Spring-Extension
16	108-4883-03	1	Ring-Support, Chute
17	108-4922	1	Ring-Chute, Detent
18	108-4874-03	1	Retainer-Ring, Chute
19	32144-85	2	Screw-HWH
25	114-3772	1	Seal-Ring, Chute



Discharge Chute Control Assembly

Ref.	Part Number	Qty.	Description
1	112-1546	1	Ring-Chute
2	100-5487	3	Screw-PTH
3	3230-22	2	Screw-CARR
4	120-0131	1	Discharge Chute ASM
4:1	115-5660	1	Decal-Danger, CE
6	3256-70	3	Washer-Flat
7	3296-47	3	Nut-Lock, NI
8	20-4320	2	Washer-Rubber
9	55-8950	2	Plate-Friction
10	56-2680	1	Chute-Deflector
12	3290-456	2	Washer-Belleville
14	94-9914	1	Handle-Control, Chute
17	3296-29	2	Nut-Lock, NI
18	108-4946	3	Screw-Plastite
19	3256-68	2	Washer-Flat



Upper Handle Assembly

Ref.	Part Number	Qty.	Description
1	117-9139	1	Upper Handle ASM
1:1	94-2577	1	Decal-Drive, Rotor
2	117-9136-03	1	Bail-Clutch
3	114-3796	1	Cover-Spring
4	117-9146	1	Spring-Extension, Clutch
5	71-5330	1	Adjuster-Cable, Clutch
6	108-4887	2	Lock-Handle
7	108-4944-03	1	Handle-Lower
8	107-3844	2	Washer
9	114-3779	2	Knob-Handle
10	114-3778	1	Nut-HF
11	108-4949	1	Guide-Rope
12	117-9104	1	Handle-Recoil

Attachments and Accessories

For 38452 Power Clear 621 E Snowthrower

Product Name	Model/Part
Engine Maintenance Kit.....	138-0699
Case of 24 20-Ounce Bottles 5W30 Winter Oil	38908
Toro Single Stage Cover	490-7464
Plain Single Stage Cover	490-7465
Snow Cab	88-0600

Notes:

Notes:



Count on it.