



Count on it.

Parts Catalog

**Power Clear® 418 ZE
Snowthrower**

Model No. 38282—Serial No. 314000001 and Up



Ordering Replacement Parts

To order replacement parts, please supply the part number, the quantity, and the description of each part desired.

Understanding Reference Numbers

Each identified part in an illustration has a reference number. The reference number for a part also appears in the parts list, along with other information about the part.

This catalog uses two special reference number formats, one to indicate parts in a service assembly and another to indicate the quantity of a given part in an illustration.

Service Assembly Reference Numbers

Parts in service assemblies have reference numbers in the form a:b. The a represents the reference number of the entire service assembly and the b represents a sequential number unique to each part within the service assembly.

For example, a wheel assembly might be identified by reference number 6, the tire by 6:1, the valve by 6:2, and the wheel by 6:3. When you order the assembly identified by reference number 6, you receive all parts identified by reference numbers 6:1, 6:2, and 6:3. However, you may also order any part individually. Reference numbers of this type appear in illustration and in parts lists.

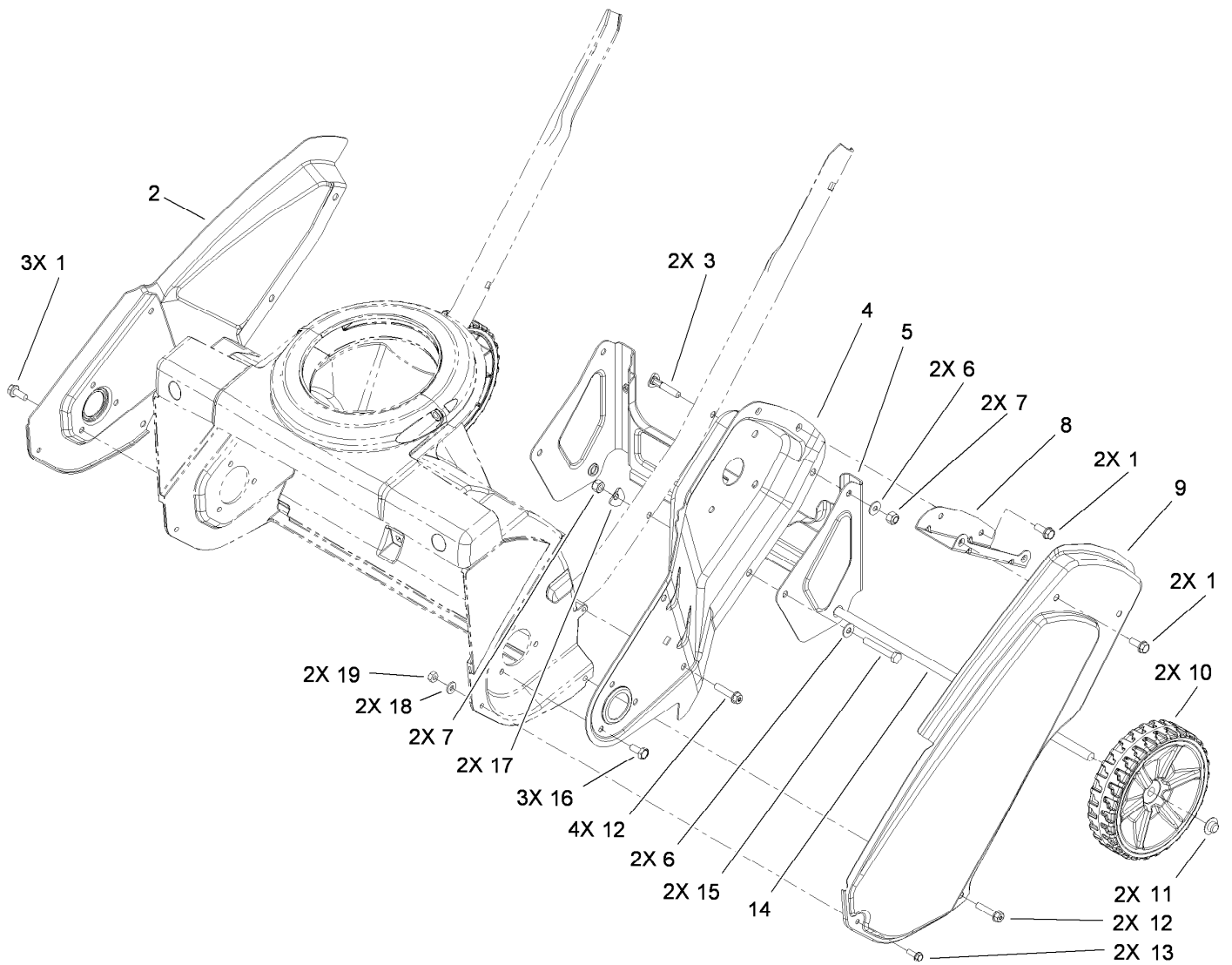
Reference Numbers Indicating Quantity

In an illustration, if a reference number indicates more than one part, the reference number has the form nX y. The n represents the quantity of the part, the X is the multiplication symbol, and the y represents the reference number.

For example, in an illustration, the reference number 2X 37 means that two of the parts identified by reference number 37 are indicated.

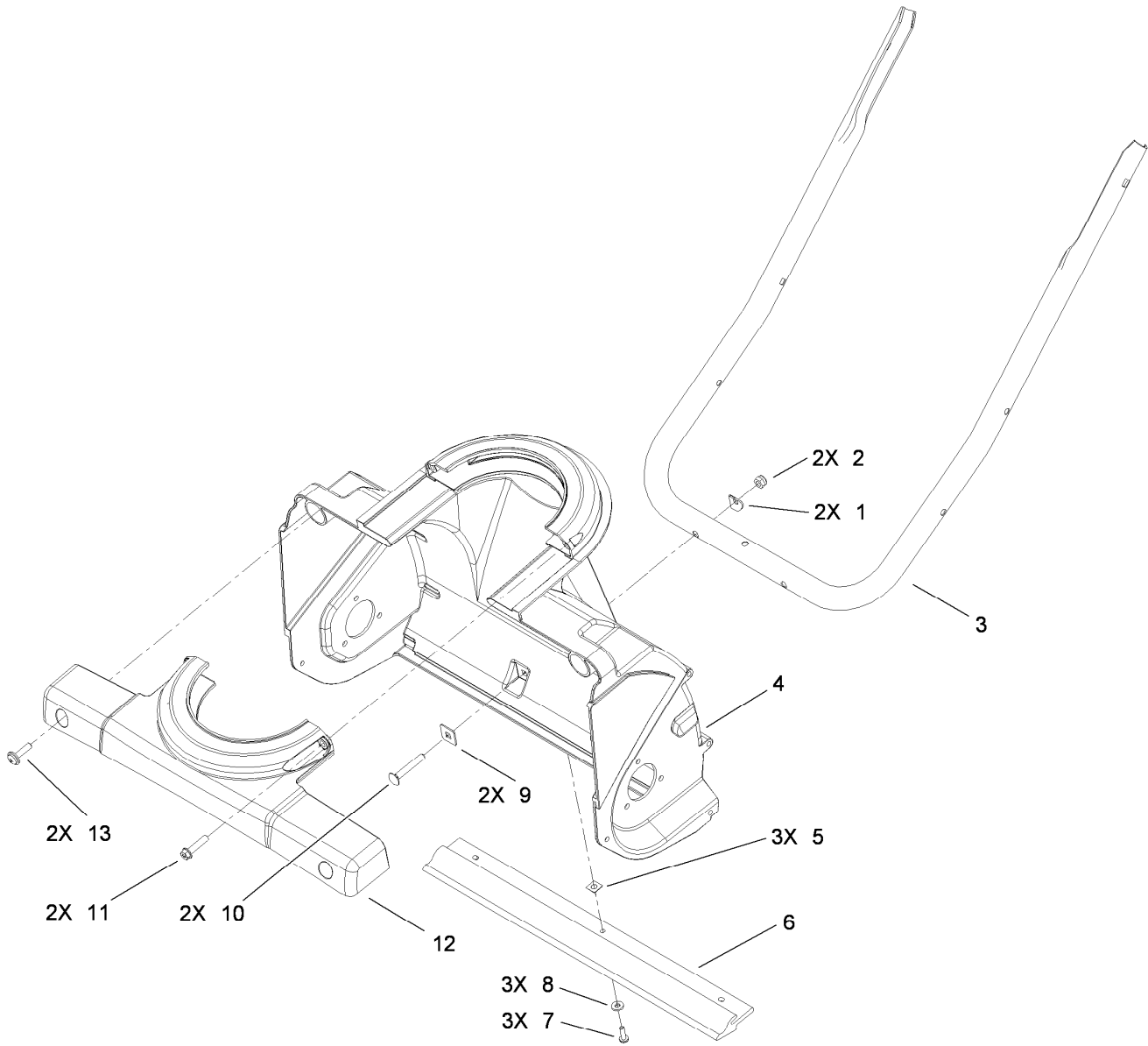
Contents

Main Frame and Wheel Assembly	4
Auger Housing Assembly	5
Rotor Drive Assembly	6
Belt and Drive Assembly	7
Engine and Mounting Assembly	8
Engine Assembly No. 1	9
Engine Assembly No. 2	10
Engine Assembly No. 3	11
Shroud Assembly	12
Handle Assembly	13
Deflector Chute Control Assembly	14
Attachments and Accessories	15



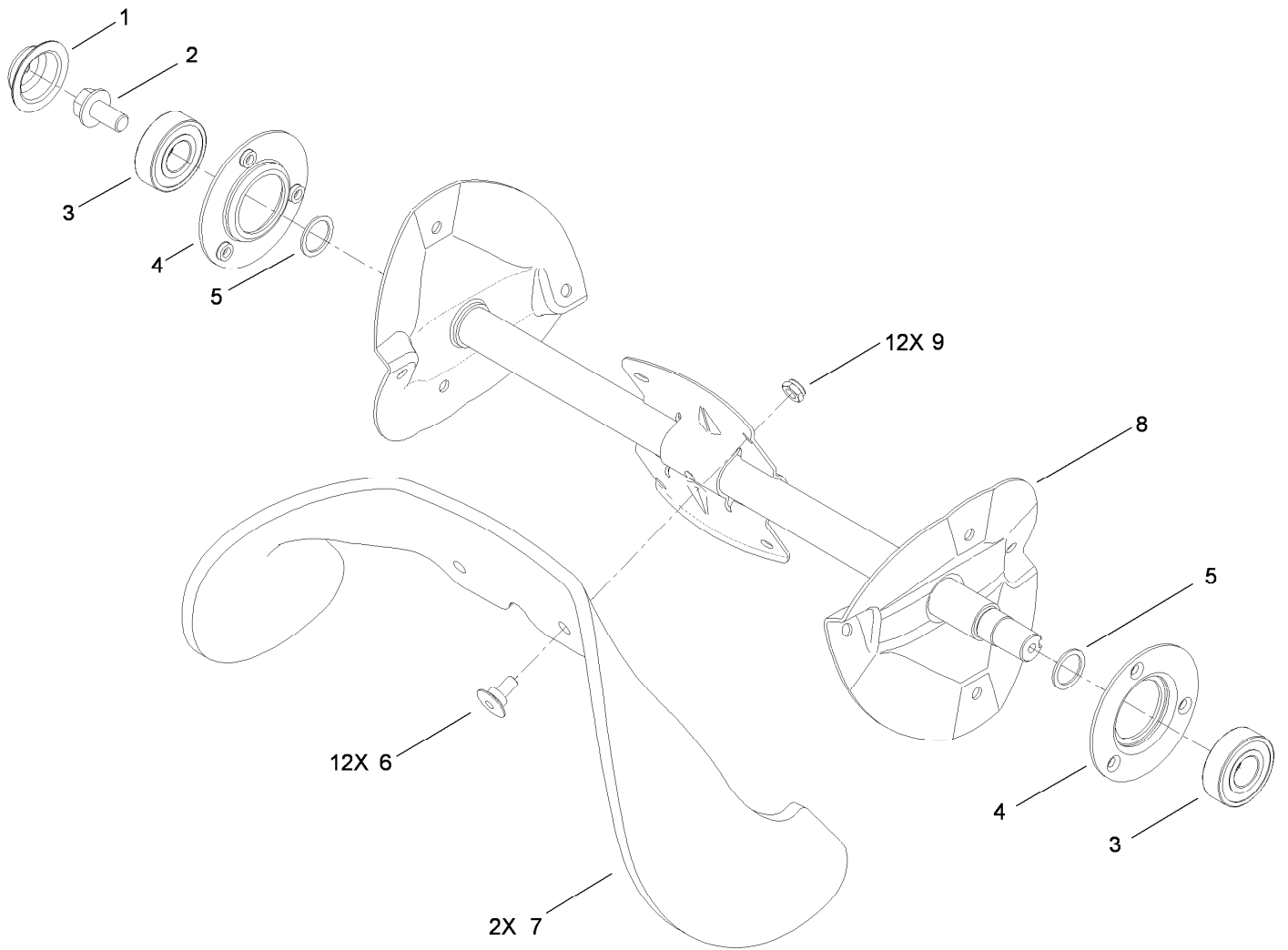
Main Frame and Wheel Assembly

Ref.	Part Number	Qty.	Description	Ref.	Part Number	Qty.	Description
1	32144-85	7	Screw-HWH	11	3290-320	2	Nut-Push
2	117-7704-03	1	Sideplate-RH	12	46-8094	6	Screw-Plastic
3	117-7737	2	Screw-Handle	13	32105-23	2	Screw
4	117-2349-03	1	Sideplate-LH	14	117-2339	1	Axle
5	117-7702-03	1	Bracket-Wheel	15	321-53	2	Screw-HH
6	3256-1	4	Washer-Flat	16	114-9291	3	Screw-HH, Taptite
7	3296-73	4	Nut-Lock, NI	17	3-7501	2	Washer
8	117-2334-03	1	Bracket-Cover, Belt	18	3256-14	2	Washer-Flat
9	117-7703-03	1	Cover-Belt	19	3296-2	2	Nut-Lock, NI
10	117-2306	2	Wheel ASM				



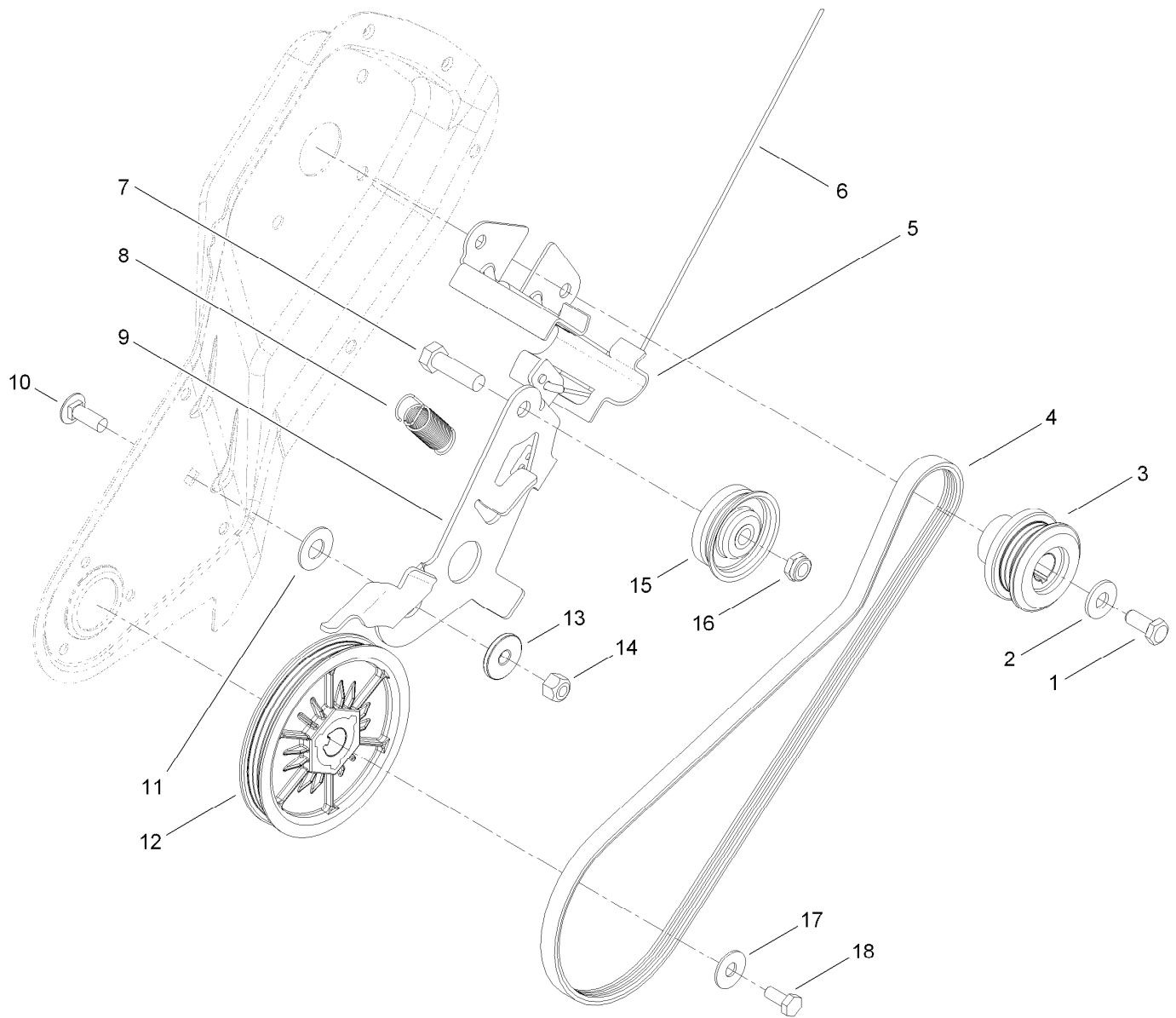
Auger Housing Assembly

<i>Ref.</i>	<i>Part Number</i>	<i>Qty.</i>	<i>Description</i>
1	3-7501	2	Washer
2	3296-73	2	Nut-Lock, NI
3	117-2348-03	1	Handle-Lower
4	117-2331	1	Housing-Lower
5	32115-19	3	Nut-Clip, U
6	117-7717	1	Scraper
7	32144-34	3	Screw-HWHTF
8	3256-14	3	Washer-Flat
9	75-9040	2	Washer-Square
10	3229-5	2	Screw-CARR
11	46-8094	2	Screw-Plastic
12	117-2332	1	Retainer-Chute
13	110-9361	2	Screw-PPH



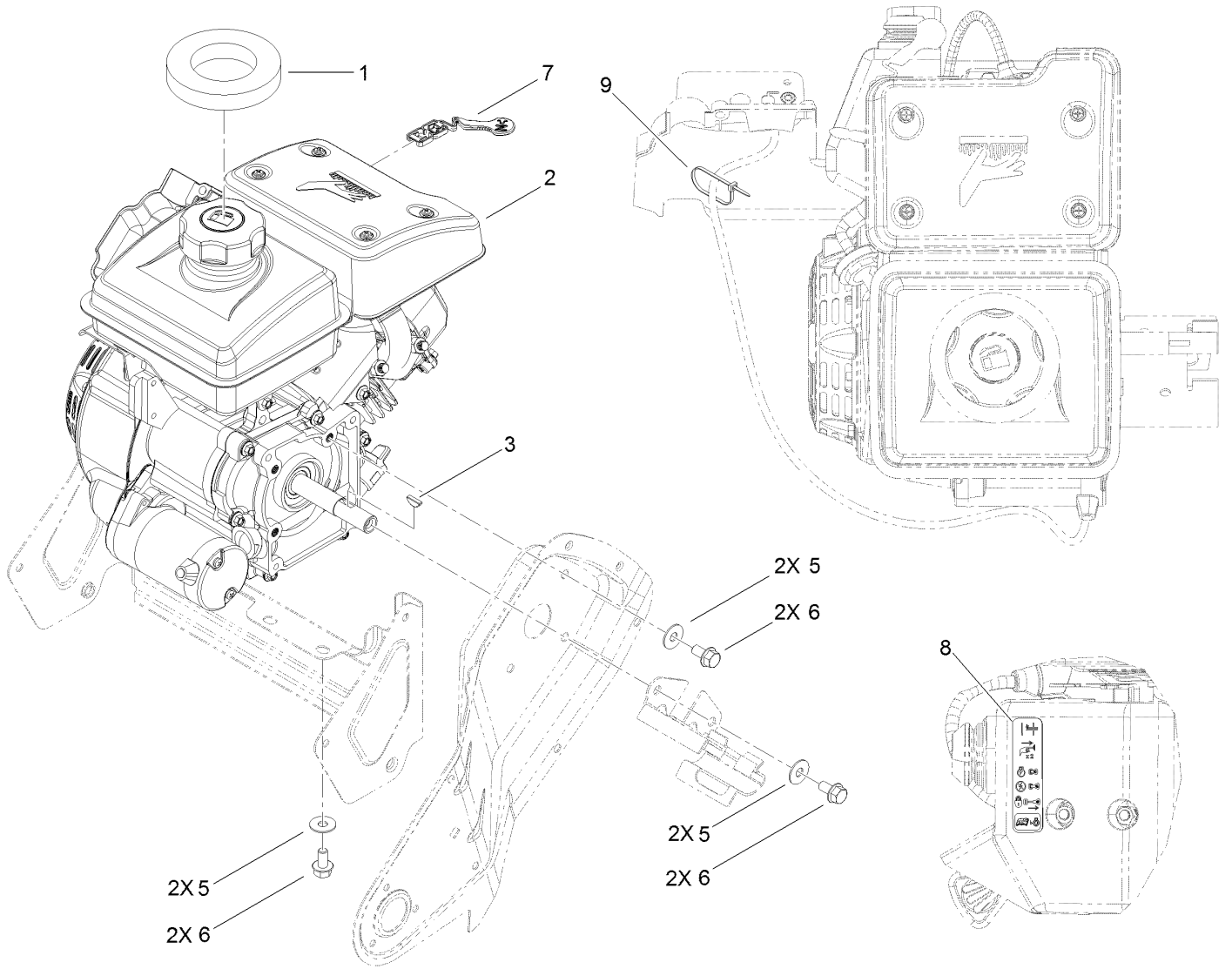
Rotor Drive Assembly

<i>Ref.</i>	<i>Part Number</i>	<i>Qty.</i>	<i>Description</i>
1	117-7720	1	Cap-Sideplate, RH
2	110-9380	1	Screw-HWH
3	100-1048	2	Bearing-Ball
4	112-8105	2	Flange-Bearing
5	52-7280	2	Washer-Thrust
6	84-1970	12	Screw
7	117-7700	2	Blade-Rotor
8	117-2315-03	1	Rotor ASM
9	3296-56	12	Nut-Lock, NI



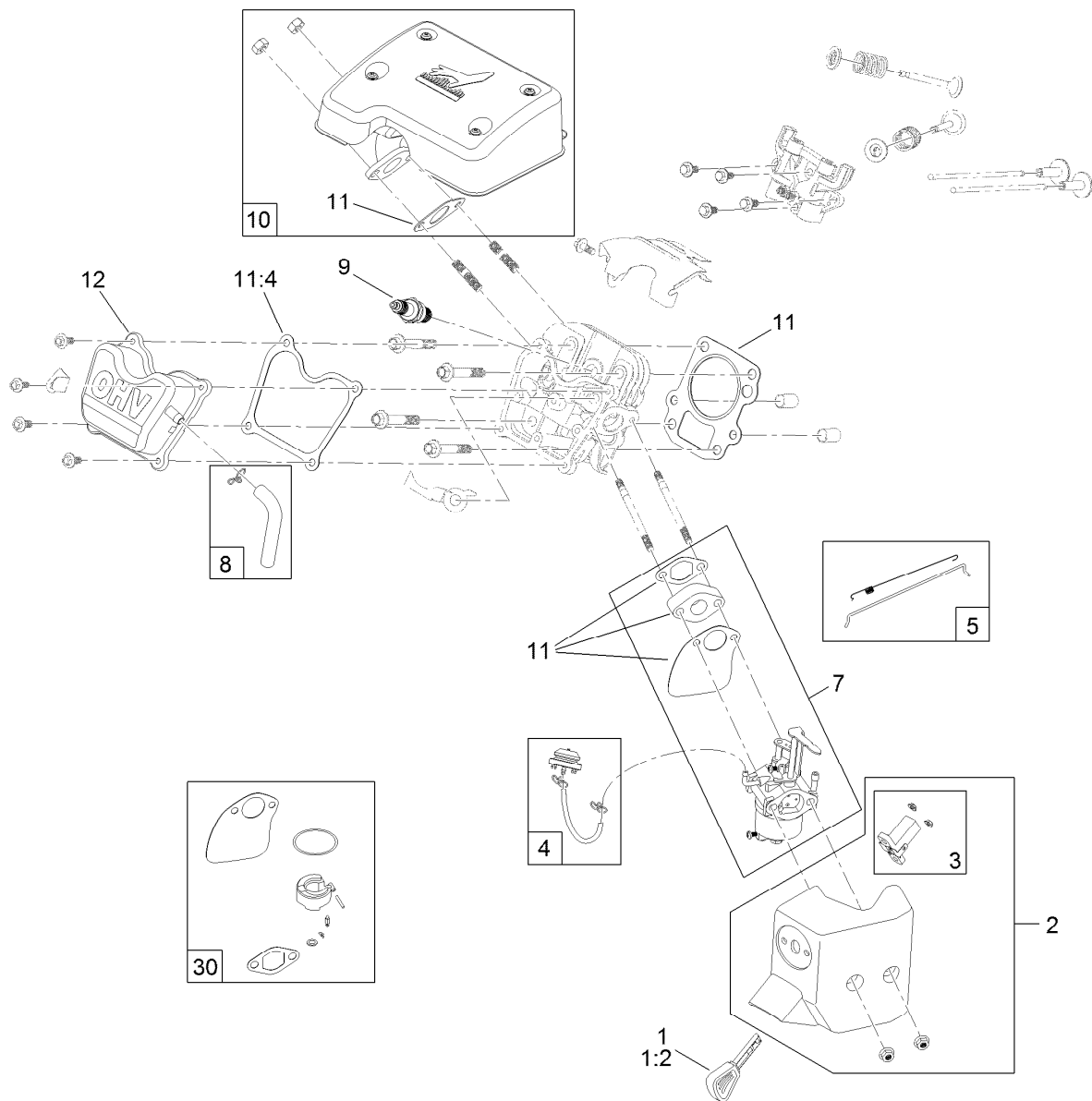
Belt and Drive Assembly

<i>Ref.</i>	<i>Part Number</i>	<i>Qty.</i>	<i>Description</i>	<i>Ref.</i>	<i>Part Number</i>	<i>Qty.</i>	<i>Description</i>
1	3235-6	1	Screw-HH	10	3230-10	1	Bolt-CARR
2	3256-71	1	Washer-Flat	11	25-5640	1	Washer
3	117-7734	1	Pulley-Engine	12	117-7732	1	Rotor Pulley ASM
4	117-7733	1	Belt-V, Ribbed	13	117-7711	1	Bushing-Idler
5	119-2907	1	Guide-Belt	14	3296-29	1	Nut-Lock, NI
6	117-7721	1	Cable-Clutch	15	117-9105	1	Pulley-Idler
7	323-44	1	Screw-HH	16	3296-59	1	Nut-Lock, NI
8	117-7715	1	Spring-Brake	17	3290-456	1	Washer-Belleville
9	117-7735	1	Arm-Idler	18	110-9381	1	Screw-HH



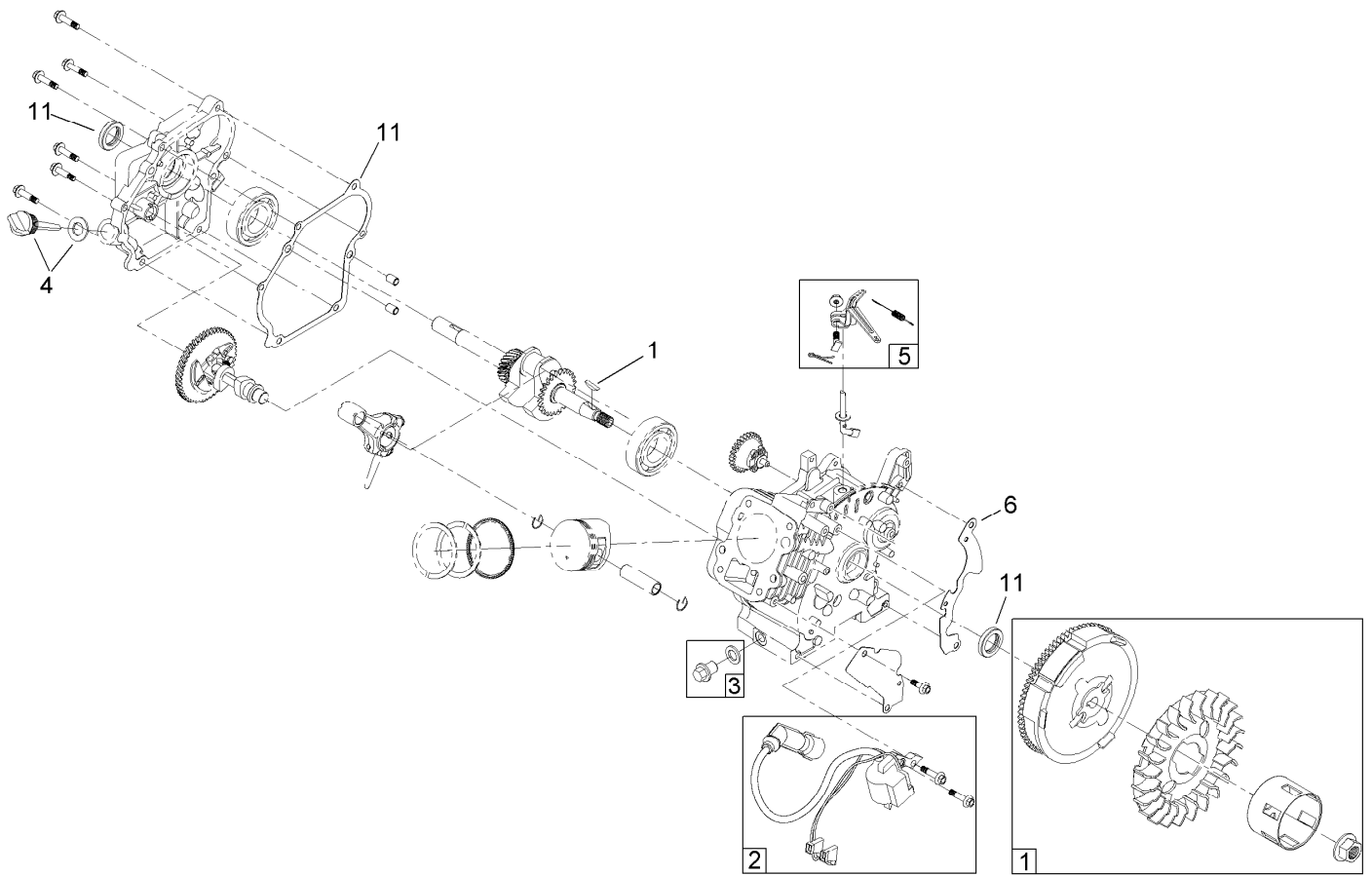
Engine and Mounting Assembly

Ref.	Part Number	Qty.	Description
1	117-7723	1	Seal-Tank
2	119-1975	1	Engine-Lc154Fds-1
3	3257-3	1	Key-Woodruff
5	3290-456	6	Washer-Belleville
6	33104-016	6	Screw-HHF
7	117-7727	1	Lever-Choke
8	120-0149	1	Decal-Controls, Engine
9	614249	1	Tie-Cable



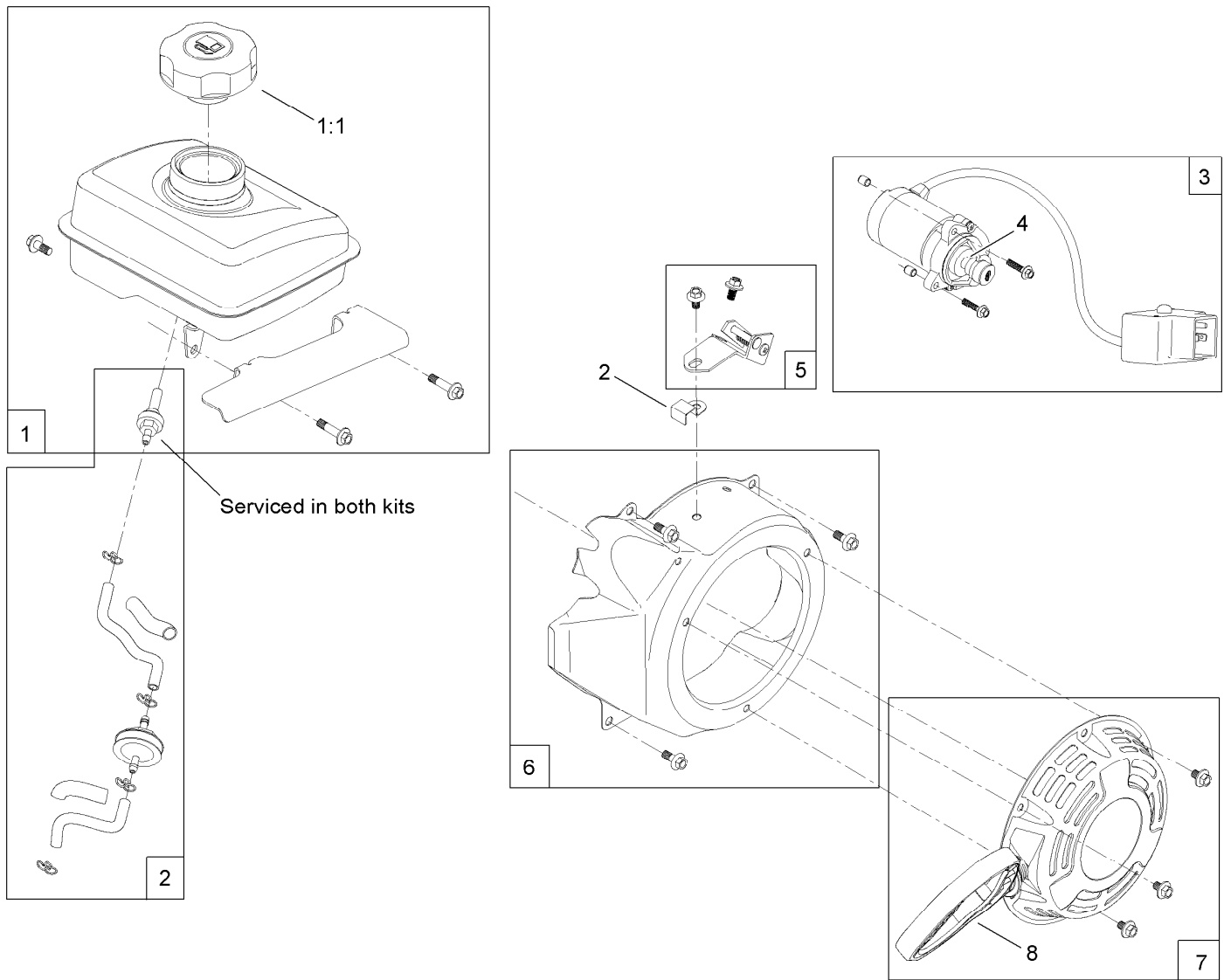
Engine Assembly No. 1

Ref.	Part Number	Qty.	Description
1	119-1929	1	Key And Lanyard Kit
1:2	117-7728	2	Key
2	119-1982	1	Heater Box Kit
3	119-1932	1	Switch Kit
4	119-1981	1	Primer Bulb Kit
5	121-0489	1	Governor Kit
7	119-1980	1	Complete Carb Service Kit
8	119-1921	1	Breather Tube Kit
9	119-1961	1	Spark Plug
10	119-1938	1	Muffer Kit
11	119-1939	1	Gasket, Seal And O-Ring Kit
11:4	121-0110	1	Gasket-Cover, Valve
12	121-0466	1	Valve Cover ASM
30	119-1988	1	Carb Float And Needle Kit



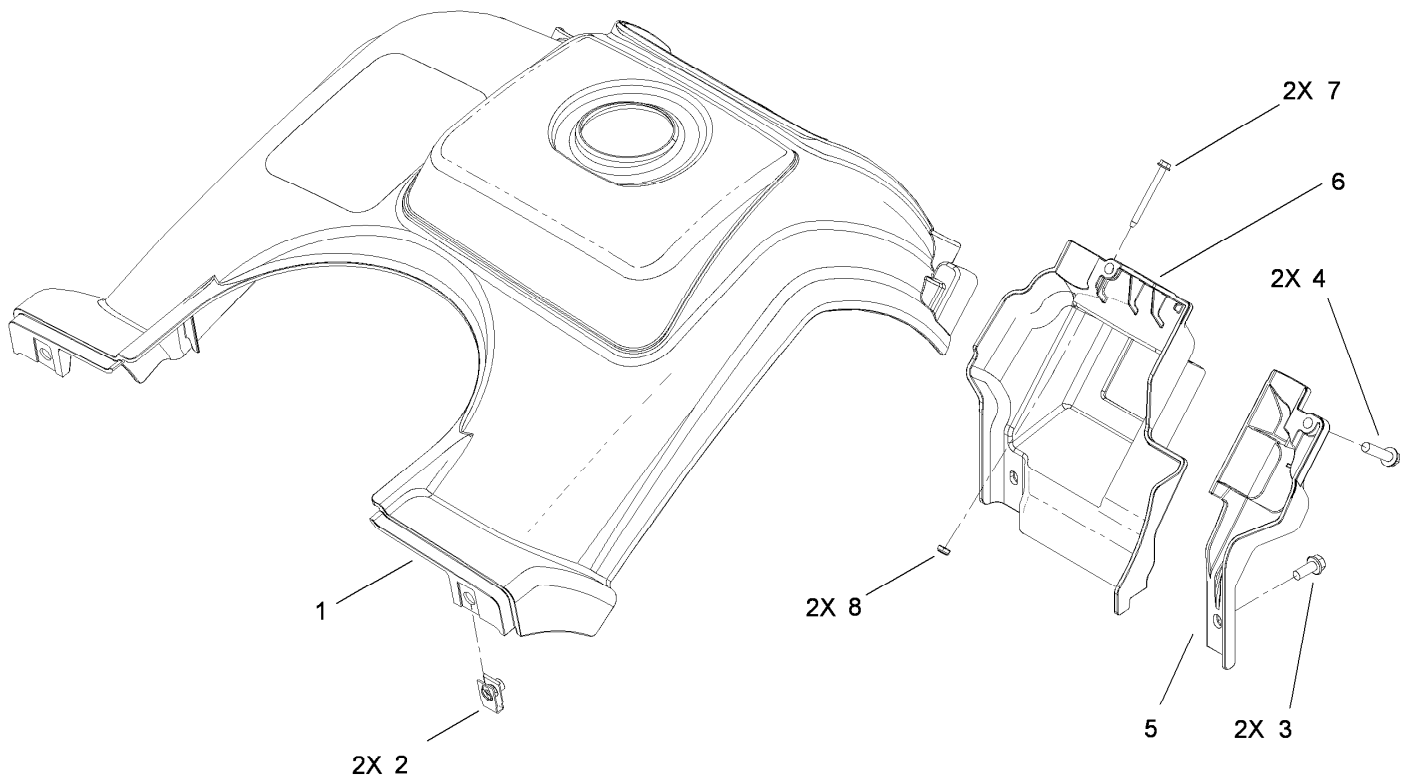
Engine Assembly No. 2

<i>Ref.</i>	<i>Part Number</i>	<i>Qty.</i>	<i>Description</i>
1	119-1933	1	Flywheel Kit
2	119-1960	1	Ignition Kit
3	119-1923	1	Drain Plug Kit
4	119-1922	1	Dipstick And O-Ring Kit
5	121-0489	1	Governor Kit
6	119-1926	1	Blower Shroud Kit
11	119-1939	1	Gasket, Seal And O-Ring Kit



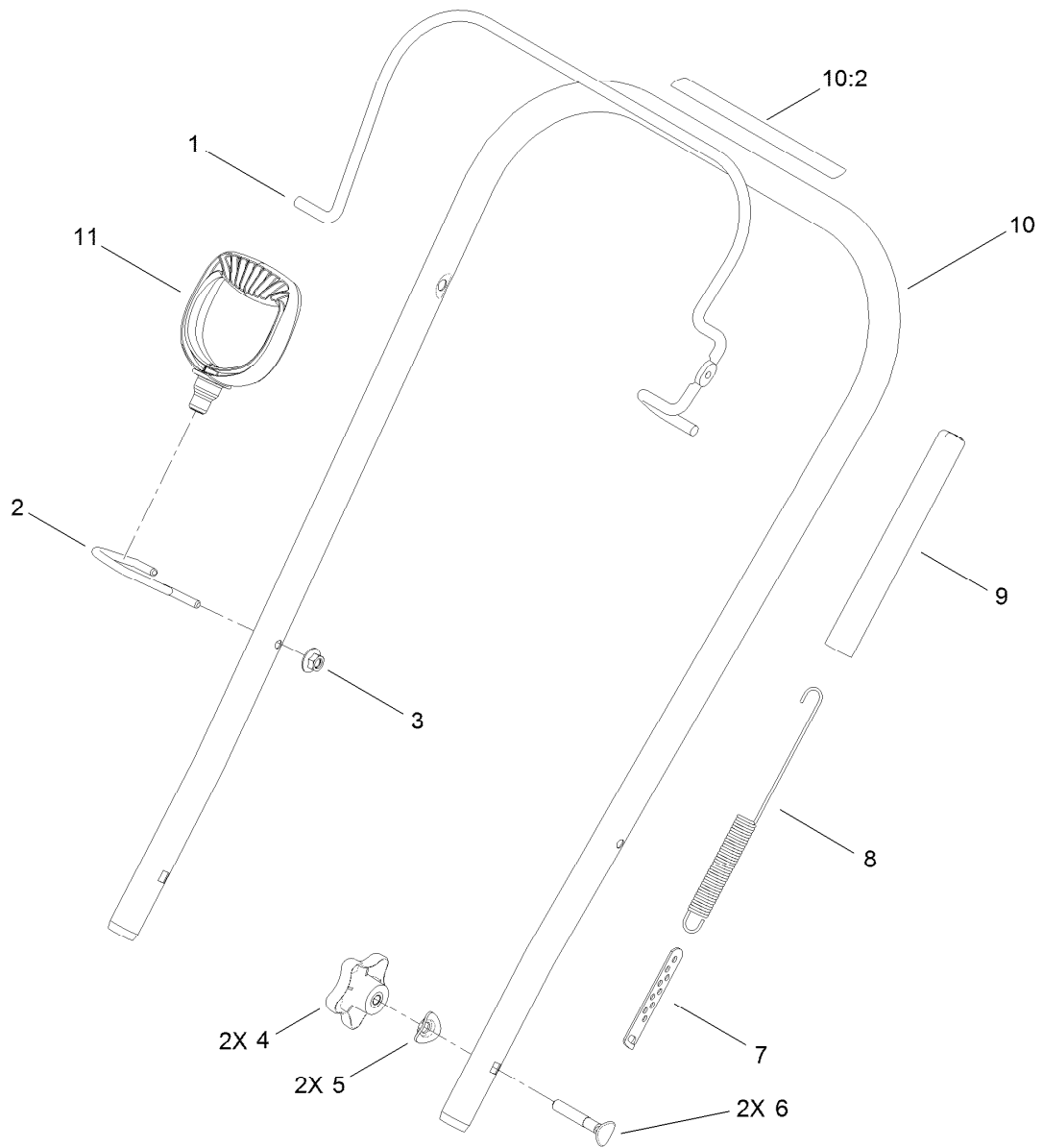
Engine Assembly No. 3

<i>Ref.</i>	<i>Part Number</i>	<i>Qty.</i>	<i>Description</i>
1	121-0486	1	Fuel Tank And Cap Kit
1:1	121-0257	1	Cap-Fuel
2	121-0487	1	Fuel Line Kit
3	119-1983	1	Electric Starter Kit
4	119-1940	1	Pinion Kit
5	121-0489	1	Governor Kit
6	119-1926	1	Blower Shroud Kit
7	119-1925	1	Recoil ASM Kit
8	119-1924	1	Mitten Grip Kit



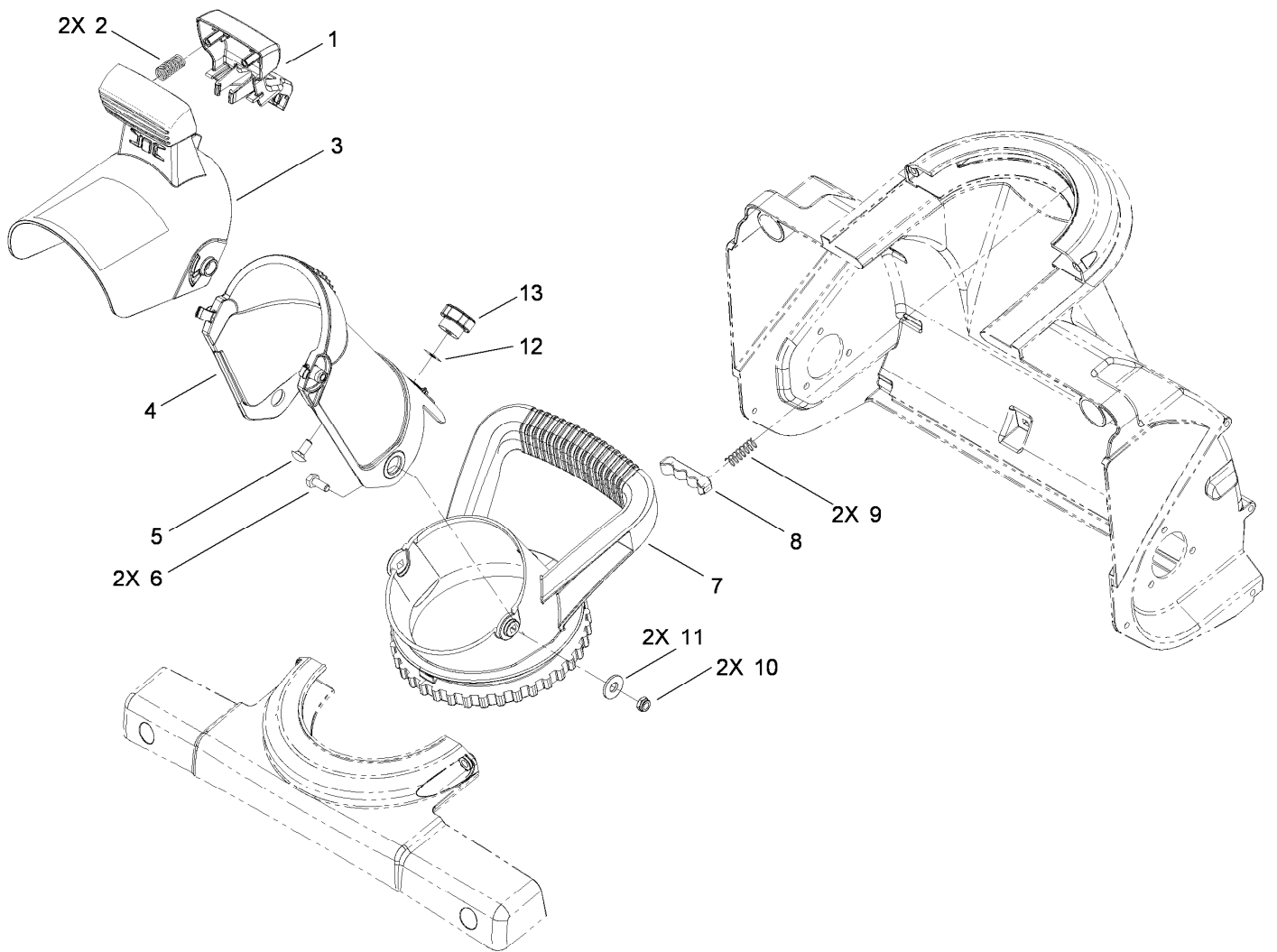
Shroud Assembly

Ref.	Part Number	Qty.	Description
1	120-7739	1	Shroud ASM
2	107069	2	Clip
3	32144-85	2	Screw-HWH
4	46-8094	2	Screw-Plastic
5	117-7719	1	Shroud-Lower, LH
6	117-7707	1	Shroud-Lower, RH
7	117-9106	2	Screw-HWH
8	3296-9	2	Nut-Hex



Handle Assembly

Ref.	Part Number	Qty.	Description
1	117-7718-03	1	Bail-Clutch
2	120-9804	1	Guide-Rope
3	114-3778	1	Nut-HF
4	106-4161	2	Knob-Handle
5	107-3844	2	Washer
6	92-2260	2	Screw-Handle
7	71-5330	1	Adjuster-Cable, Clutch
8	119-2913	1	Spring-Clutch
9	114-3796	1	Cover-Spring
10	117-7743	1	Upper Handle ASM
10:2	117-7713	1	Decal-Safety
11	117-9104	1	Handle-Recoil



Deflector Chute Control Assembly

Ref.	Part Number	Qty.	Description
1	117-2314	1	Trigger-Deflector
2	110-9360	2	Spring-Compression
3	117-7742	1	Chute Deflector ASM
4	117-2312	1	Chute-Discharge
5	3229-11	1	Screw-CARR
6	321-3	2	Screw-HH
7	117-2345	1	Handle-Chute
8	75-9160	1	Detent-Chute
9	75-9170	2	Spring-Compression
10	3296-56	2	Nut-Lock, NI
11	3256-81	2	Washer-Flat
12	32115-15	1	Pushnut-Retainer, Bolt
13	233-67	1	Knob-Chute

Attachments and Accessories

For 38282 Power Clear 418 ZE Snowthrower

Product Name	Model/Part
High-Altitude Kit.....	121-4239
Engine Maintenance Kit.....	138-0698
Paddle Replacement Kit.....	38266
Case of 24 12-Ounce Bottles 5W30 Winter Oil	38907
Toro Snow Oil 0W30 Synthetic 20-Ounce Bottle	38913



Count on it.