



Count on it.

Form No. 3415-818 Rev B

**EN Power Plex™ 13in 40V MAX
String Trimmer**

51481, 51481T

**ES Desbrozadora Power Plex™
33 cm (13") 40V MAX**

51481, 51481T

**FR Débroussailleuse à fil Power
Plex™ 33 cm (13 po) 40 V MAX**

51481, 51481T





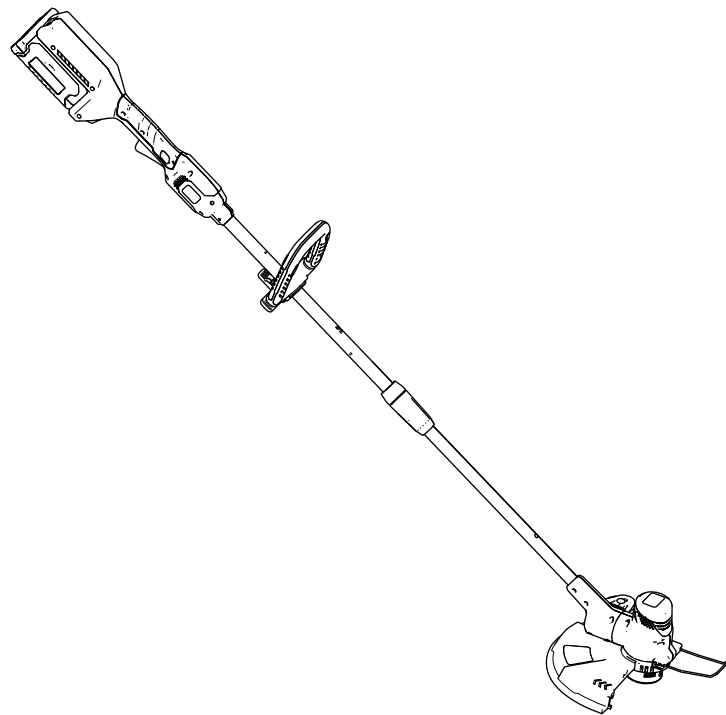
Count on it.

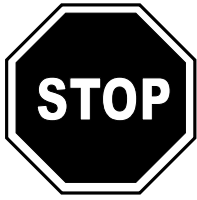
Operator's Manual

Power Plex™ 13in 40V MAX String Trimmer/Edger

Model No. 51481—Serial No. 317000001 and Up

Model No. 51481T—Serial No. 317000001 and Up





If you have questions or problems, call toll free 1-800-237-2654 (US) or 1-800-248-3258 (Canada) before returning this product.

⚠ WARNING

CALIFORNIA Proposition 65 Warning

This product contains a chemical or chemicals known to the State of California to cause cancer, birth defects, or reproductive harm.

Introduction

This trimmer is intended to be used by residential homeowners to trim grass as needed outdoors. It is designed primarily to use battery pack Model 88540 (provided with Model 51481) or 88541.

Read this information carefully to learn how to operate and maintain your product properly and to avoid injury and product damage. You are responsible for operating the product properly and safely.

You may contact Toro directly at www.Toro.com for product and accessory information, help finding a dealer, or to register your product.

Model 51481T does not include a battery or a charger.

Safety

WARNING: When using electric gardening appliances, always follow basic safety precautions to reduce the risk of fire, electric shock, and personal injury, including the following:

⚠ WARNING

Failure to follow all warnings and instructions may result in electric shock, fire and/or serious injury.

Read all safety warnings and all instructions.

Save all warnings and instructions for future reference.

The term “power tool” in all of the warnings refers to your mains-operated (corded) power tool or battery-operated (cordless) power tool.

1. Work area safety

- A. **Keep the work area clean and well lit.** *Cluttered or dark areas invite accidents.*
- B. **Do not operate power tools in explosive atmospheres, such as in the presence of flammable liquids, gasses, or dust.** *Power tools create sparks, which may ignite the dust or fumes.*
- C. **Keep children and bystanders away while operating a power tool.** *Distractions can cause you to lose control.*
- D. **Avoid dangerous environments.** *Do not use appliances in damp or wet locations.*

2. Personal safety

- A. **Stay alert; watch what you are doing and use common sense when operating a power tool. Do not use a power tool while you are tired or under the influence of drugs, alcohol, or medication.** *A moment of inattention while operating power tools may result in serious personal injury.*
- B. **Use personal protective equipment. Always wear eye protection.** *Protective equipment such as a dust mask, non-skid safety shoes, a hard hat, or hearing protection used for appropriate conditions will reduce personal injuries.*
- C. **Prevent unintentional starting. Ensure the switch is in the OFF position before connecting to power source and/or battery pack and picking up or carrying the tool.** *Carrying power tools with your finger on the switch or energizing power tools that have the switch on invites accidents.*

- D. **Do not overreach. Keep proper footing and balance at all times.** *This enables better control of the power tool in unexpected situations.*
 - E. **Dress properly. Do not wear loose clothing or jewelry. Keep your hair, clothing, and gloves away from moving parts.** *Loose clothes, jewelry, or long hair can be caught in moving parts.*
 - F. **Keep your hands and feet away from the cutting area.**
3. **Power tool use and care**
- A. **Do not force the power tool. Use the correct power tool for your application.** *The correct power tool will do the job better and safer at the rate for which it was designed.*
 - B. **Do not use the power tool if the switch does not turn it on and off.** *Any power tool that cannot be controlled with the switch is dangerous and must be repaired.*
 - C. **Remove the battery pack from the power tool before making any adjustments, changing accessories, or storing power tools.** *Such preventive safety measures reduce the risk of starting the power tool accidentally.*
 - D. **Store idle power tools out of the reach of children and do not allow persons unfamiliar with the power tool or these instructions to operate the power tool.** *Power tools are dangerous in the hands of untrained users.*
 - E. **Store idle appliances indoors.** *When not in use, appliances should be stored indoors in a dry and high or locked-up place, out of the reach of children.*
 - F. **Maintain power tools. Check for misalignment or binding of moving parts, breakage of parts, and any other condition that may affect the operation of power tools. If damaged, have the power tool repaired before use.** *Many accidents are caused by poorly maintained power tools.*
 - G. **Maintain appliance with care.** *Keep cutting edge sharp and clean for best performance and to reduce the risk of injury. Follow instructions for lubricating and changing accessories. Keep handles dry, clean, and free from oil and grease.*
 - H. **Keep cutting tools sharp and clean.** *Properly maintained cutting tools with sharp cutting edges are less likely to bind and are easier to control.*
 - I. **Use the power tool in accordance with these instructions and in the manner intended for the particular type of power tool, taking into account the working conditions and the work to be performed.** *Using the power tool for operations different from those intended could result in a hazardous situation.*
 - J. **Keep guards in place and in working order.**
 - K. **Check for damaged parts.** *Before using the appliance, carefully check a guard or other part that is damaged to determine that it will operate properly and perform its intended function. Check for alignment of moving parts, binding of moving parts, breakage of parts, mounting, and any other condition that may affect its operation. A guard or other part that is damaged should be properly repaired or replaced by an authorized service center unless indicated elsewhere in this manual.*
4. **Service**
- Have your power tool serviced by a qualified repair person using only identical replacement parts.** *This will ensure that the safety of the power tool is maintained.*
5. **Battery Safety**
- A. *Do not charge appliance in rain or in wet locations.*
 - B. *Do not use battery-operated appliance in the rain.*
 - C. *Use only the following type and size battery(ies): Toro battery Model 88540 or 88541.*
 - D. *Remove or disconnect the battery before servicing, cleaning, or removing material from the gardening appliance.*
 - E. *Do not dispose of the battery(ies) in a fire. The cell may explode. Check with local codes for possible special disposal instructions.*
 - F. *Do not open or mutilate the battery(ies). Released electrolyte is corrosive and may cause damage to the eyes or skin. It may be toxic if swallowed.*
 - G. *Exercise care in handling batteries in order not to short the battery with conducting materials such as rings, bracelets, and keys. The battery or conductor may overheat and cause burns.*
- SAVE THESE INSTRUCTIONS**

Safety and Instructional Decals



Safety decals and instructions are easily visible to the operator and are located near any area of potential danger. Replace any decal that is damaged or missing.

40V MAX* DC 0.080" ligne / 2.0mm ligne
 *Battery manufacturer rating = 40V maximum & 36V nominal. Actual voltage varies with load.
 *Tension indiquée par le fabricant de la batterie = 40 V max., 36 V nominale. La tension réelle varie en fonction de la charge.
 Country of Origin: PRC THE TORO COMPANY
 / Pays d'origine : PRC 8111 Lyndale Avenue South
 Bloomington, MN 55420-1196 USA
 Conforms to UL STD 82
 Certified to CSA STD C22.2 #147 PATENT: www.ttcopats.com

 Model: 51481
 Serial Number:
 Numéro de série:
 Date Code:
 Code de date:
 Intertek
 3131666

decal136-2463

136-2463
 Model 51481

40V MAX* DC 0.080" ligne / 2.0mm ligne
 *Battery manufacturer rating = 40V maximum & 36V nominal. Actual voltage varies with load.
 *Tension indiquée par le fabricant de la batterie = 40 V max., 36 V nominale. La tension réelle varie en fonction de la charge.
 Country of Origin: PRC THE TORO COMPANY
 / Pays d'origine : PRC 8111 Lyndale Avenue South
 Bloomington, MN 55420-1196 USA
 Conforms to UL STD 82
 Certified to CSA STD C22.2 #147 PATENT: www.ttcopats.com

 Model: 51481T
 Serial Number:
 Numéro de série:
 Date Code:
 Code de date:
 Intertek
 3131666

decal136-2464

136-2464
 Model 51481T

TORO
 LITHIUM-ION BATTERY CHARGER
 CHARGEUR DE BATTERIE LITHIUM-ION
 Input: 100-120V AC 50/60Hz Max 3.0A
 Output: 41.8V MAX* DC 2.5A
 *Battery manufacturer rating = 40V maximum & 36V nominal. Actual voltage varies with load.
 *Tension indiquée par le fabricant de la batterie = 40 V max., 36 V nominale. La tension réelle varie en fonction de la charge.
 Backfeed Protection / Protection contre le retour d'énergie
CAUTION To reduce the risk of injury, user must read the instruction manual. Charge only TORO PowerPlex type rechargeable battery. Other types of batteries may burst causing personal injury and damage. Risk of electric shock. Do not expose to liquid, vapor, or rain. Do not interconnect output terminal. For indoor use only.
ATTENTION Pour réduire le risque de blessures, l'utilisateur doit lire le manuel d'utilisation. Utilisez uniquement pour les batteries rechargeables type TORO PowerPlex. D'autres types de batteries pourraient exploser et causer des blessures ou des dommages. Risque de décharge électrique. Ne pas exposer à des liquides, à la vapeur ou à la pluie. Ne pas interconnecter la borne de sortie. Pour usage intérieur uniquement.
 Country of Origin: PRC / Pays d'origine : PRC
 THE TORO COMPANY Conforms to UL STD 1012
 8111 Lyndale Avenue South Certified to CSA
 Bloomington, MN 55420-1196 USA STD C22.2 No. 107.2-91 Intertek
 PATENT: www.ttcopats.com 3131666

 Model: 88542 SL
 Serial Number:
 Numéro de série:
 Date Code:
 Code de date:

decal136-2473

136-2473

WARNING To reduce the risk of injury, user must read the instruction manual. Use only with TORO PowerPlex battery charger. Wear eye protection. Do not short terminals. Do not throw into fire. Risk of fire, explosion and burns. Do not disassemble, crush, expose to heat or incinerate. Keep battery out of reach of children. To reduce risk of injury to persons, remove battery pack when not in use.
AVERTISSEMENT Pour réduire le risque de blessures, l'utilisateur doit lire le manuel d'utilisation. Utilisez uniquement avec chargeur de batterie TORO PowerPlex. Portez des lunettes de protection. Ne pas court-circuiter. Ne jetez pas au feu. Risque d'incendie, d'explosion et des brûlures. Ne pas démonter, écraser, exposer à une température anormale ou incinérer. Conservez la batterie hors de portée des enfants. Pour réduire les risques de blessures corporelles, retirez l'ensemble batterie quand la machine ne sert pas.
TORO 40V MAX* DC 90 Wh Li-Ion Battery / Batterie au lithium-ion
 *Battery manufacturer rating = 40V maximum & 36V nominal. Actual voltage varies with load.
 *Tension indiquée par le fabricant de la batterie = 40 V max., 36 V nominale. La tension réelle varie en fonction de la charge.
 THE TORO COMPANY Country of Origin: PRC / Pays d'origine : PRC
 8111 Lyndale Avenue South Bloomington, MN 55420-1196 USA PATENT: www.ttcopats.com
 Model: 88540
 Serial Number:
 Numéro de série:
 Date Code:
 Code de date:

decal136-2471

136-2471

WARNING TO REDUCE THE RISK OF INJURY, USER MUST READ INSTRUCTION MANUAL. To reduce risk of electric shock, do not expose unit to water or operate unit on wet ground. Risk of eye injury. Use safety glasses or similar eye protection. To reduce the risk of injury to persons do not operate without guards in place. To reduce risk of injury to persons, remove battery pack when not in use. For use with TORO PowerPlex battery model: 88540 & 88541. For use with TORO PowerPlex charger model: 88542. Use 2.0-mm diameter round nylon line only.
AVERTISSEMENT POUR RÉDUIRE LES RISQUES DE BLESSURE, L'UTILISATEUR DOIT LIRE ET COMPRENDRE LE MODE D'EMPLOI. Pour réduire les risques d'électrocution, évitez tout contact de la machine avec l'eau et ne l'utilisez pas sur sol mouillé. Risque de blessure oculaire. Utilisez des lunettes de sécurité ou autre protection oculaire semblable. Pour réduire les risques de blessures corporelles, n'utilisez pas la machine si les dispositifs de protection ne sont pas en place. Pour réduire les risques de blessures corporelles, retirez la batterie quand vous ne l'utilisez pas. À utiliser avec la batterie TORO PowerPlex, modèle : 88540 & 88541. À utiliser avec le chargeur TORO PowerPlex, modèle : 88542. Utilisez uniquement du fil en nylon rond de 2,0 mm de diamètre.

decal136-2474

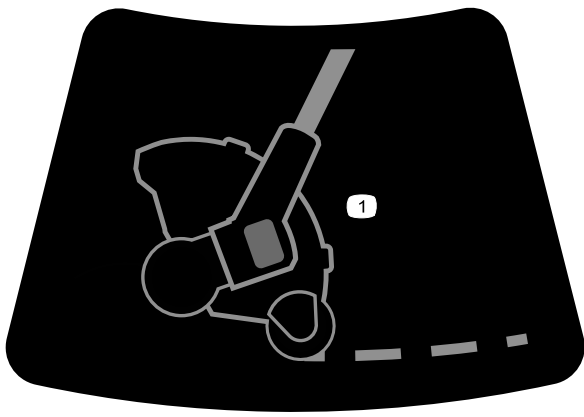
136-2474

POWERPLEXTM 40V^{MAX} LITHIUM
 CHARGING PROCEDURE (LED INDICATOR) / PROCEDURE DE CHARGEMENT (VOYANT DEL)
 DO NOT REMOVE THIS DECAL / NE PAS RETIRER CET AUTOCOLLANT

decal136-2476

136-2476

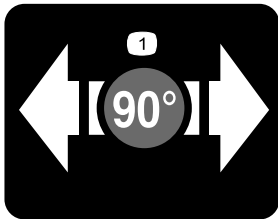
1. The battery pack is charging.
2. The battery pack is fully charged.
3. The battery pack is too warm.
4. Replace the battery pack.



136-2482

decal136-2482

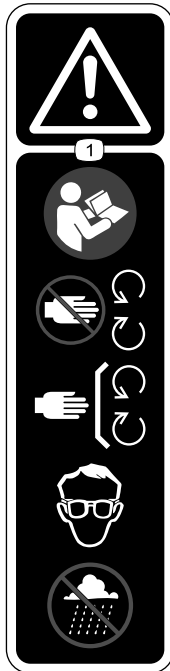
1. String trimmer edger



136-2484

decal136-2484

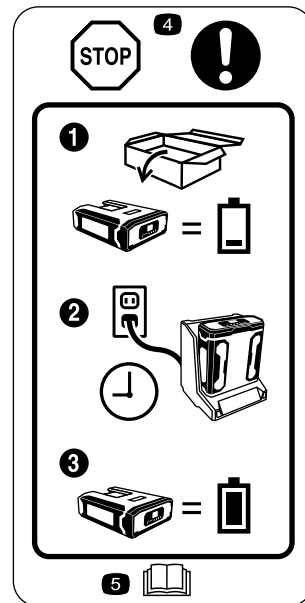
1. Press to rotate.



136-2533

decal136-2533

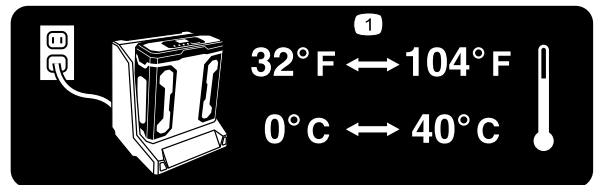
1. Warning—read the *Operator's Manual*; keep away from moving parts; keep all guards and covers in place; wear eye protection; do not operate in wet conditions.



136-2534

decal136-2534

1. The battery does not come out of the box fully charged.
2. Place the battery in the battery charger.
3. Wait until the battery is fully charged before the first use.
4. Stop—follow these instructions before first use.
5. Read the *Operator's Manual*.



136-2539

decal136-2539

1. Charge the battery where the temperature is between 0°C and 40°C (32°F and 104°F).

Setup

Loose Parts

Use the chart below to verify that all parts have been shipped.

Procedure	Description	Qty.	Use
1	No parts required	–	Mount the battery charger (optional).
2	No parts required	–	Unfold the handle.
3	Auxiliary handle	1	Install the auxiliary handle.
4	Guard Phillips head screw	1 2	Install the guard.
5	Wire edge guard	1	Install the edge guard.

Note: The battery pack is not fully charged when you purchase it. Before using the tool for the first time, refer to [Charging the Battery Pack \(page 11\)](#).

1

Mounting the Battery Charger (Optional)

No Parts Required

Procedure

If desired, mount the battery charger securely on a wall using the wall-mount key holes on the back of the charger.

Mount it indoors (such as a garage or other dry place), near a power outlet, and out of the reach of children.

Refer to [Figure 1](#) for assistance in mounting the charger.

Note: Slide and twist the charger over the appropriately positioned hardware to secure the charger in place (hardware not included).

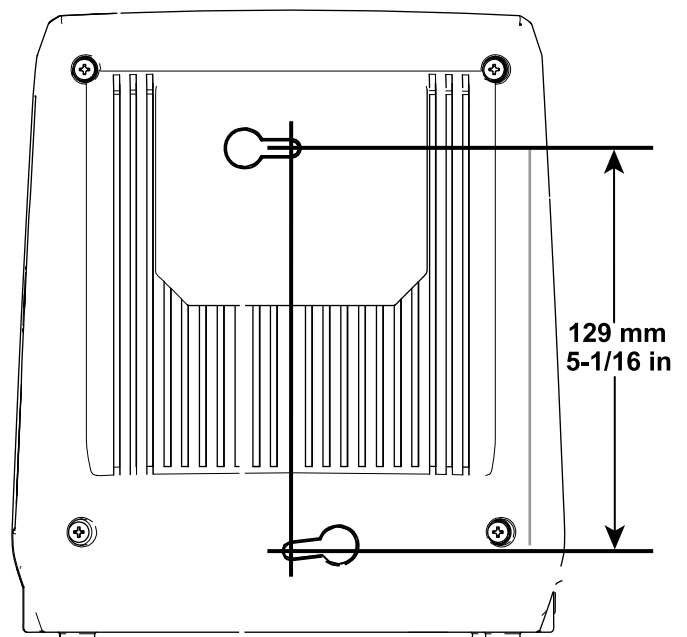


Figure 1

g194202

2

Unfolding the Handle

No Parts Required

Procedure

1. Unfold the handle (A of [Figure 2](#)).
2. Press and hold the locking button on the upper shaft, align the locking button with the slotted hole on the lower shaft, and slide the 2 shafts together. Once the slotted hole on the lower shaft is past the locking button, release the locking button, and slide the lower shaft into the upper shaft until the trimmer is at the desired height (B of [Figure 2](#)).

Note: Use the locking button only for assembly and disassembly. You do not need to use the button to adjust the handle.

3. Tighten the lower shaft connector to secure the handle at the desired height (C of [Figure 2](#)).

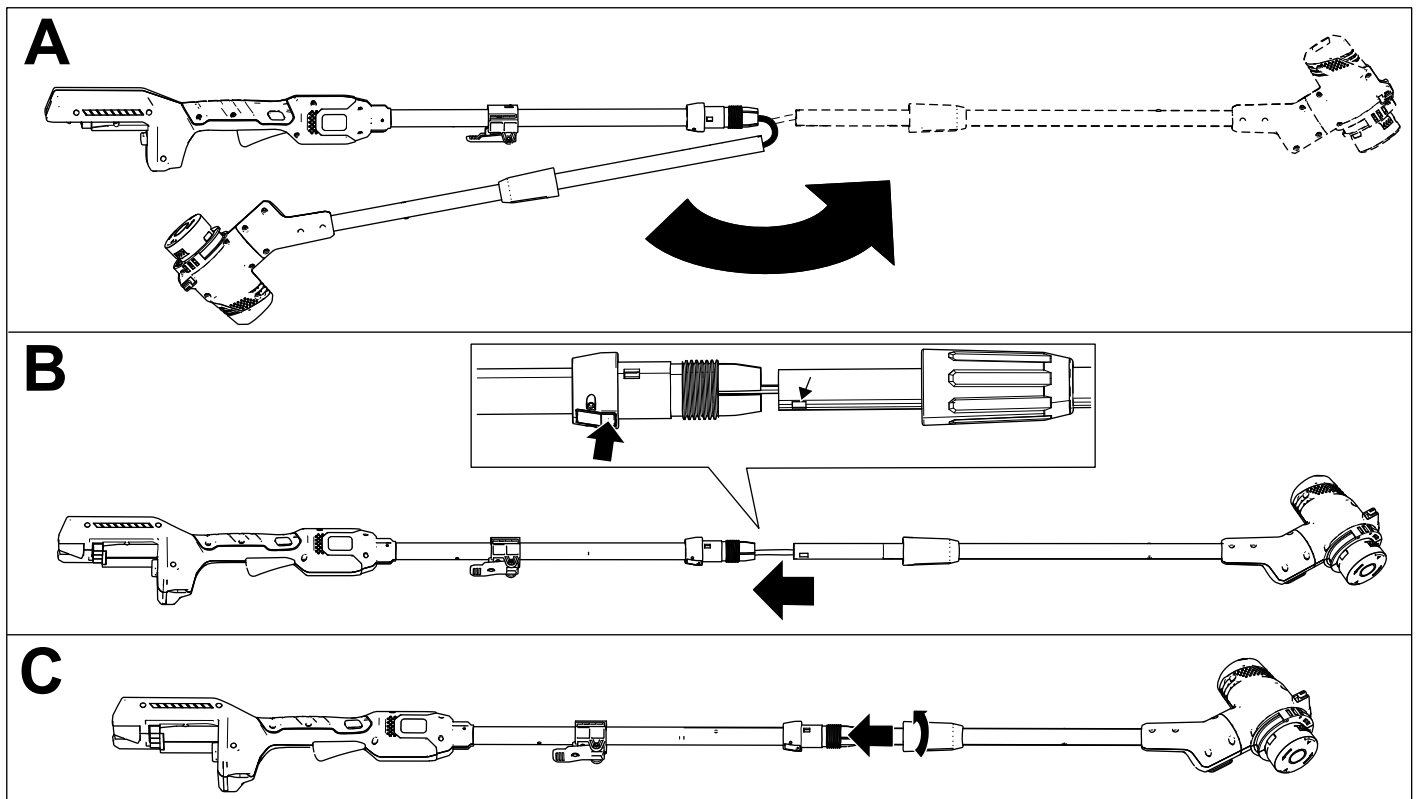


Figure 2

g195351

3

Installing the Auxiliary Handle

Parts needed for this procedure:

1	Auxiliary handle
---	------------------

Procedure

1. Line up the groove along the handle with the groove on the auxiliary handle and slide the auxiliary handle toward the trimmer handle (A of [Figure 3](#)).
2. Snap the handle securely into place (B of [Figure 3](#)).

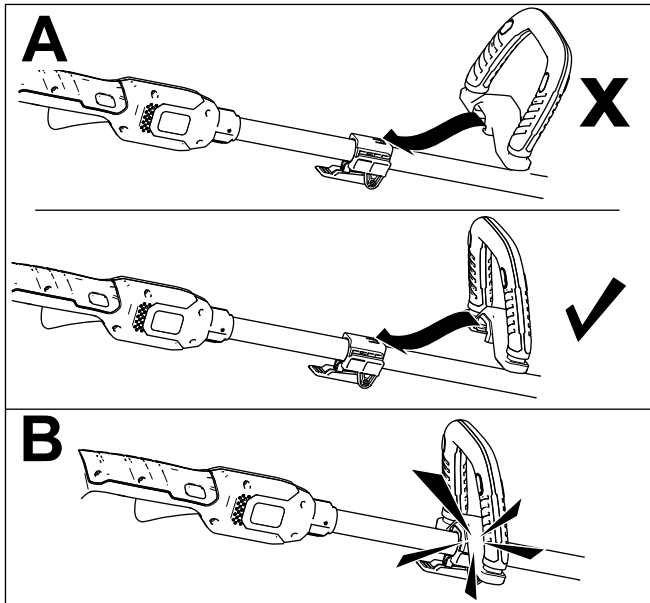


Figure 3

g195362

4

Installing the Guard

Parts needed for this procedure:

1	Guard
2	Phillips head screw

Procedure

1. Remove the 2 Phillips screws that are taped to the guard and slide the guard onto the trimmer base (A of [Figure 4](#)).
2. Secure the guard onto the base of the trimmer with the 2 Phillips screws (B of [Figure 4](#)).

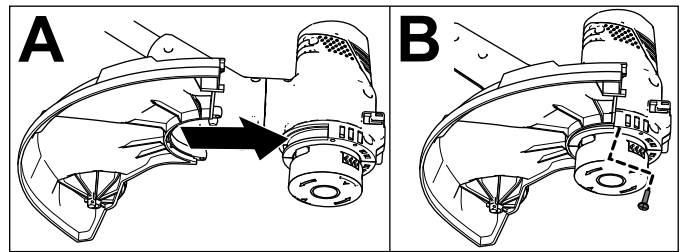


Figure 4

g203804

5

Installing the Edge Guard

Parts needed for this procedure:

1	Wire edge guard
---	-----------------

Procedure

Slightly spread the ends of the wire edge guard apart and insert the ends into the holes in the trimmer housing as shown in [Figure 5](#).

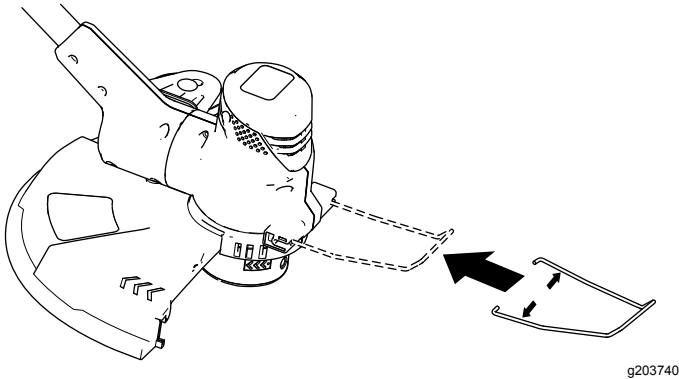


Figure 5

g203740

Product Overview

Specifications

Appropriate Temperature Ranges

Charge the battery at	0°C (32°F) to 40°C (104°F)*
Use products at	-15°C (5°F) to 60°C (140°F)
Store products at	-15°C (5°F) to 60°C (140°F)
Unplug the charger if	Below 0°C (32°F) or above 40°C (104°F)

*Charging time will increase if you do not charge the battery within this range.

Store the tool, battery pack, and battery charger in an enclosed clean, dry area.

Operation

Starting the Trimmer

1. Make sure that the vents on the trimmer are clear of any dust and debris.

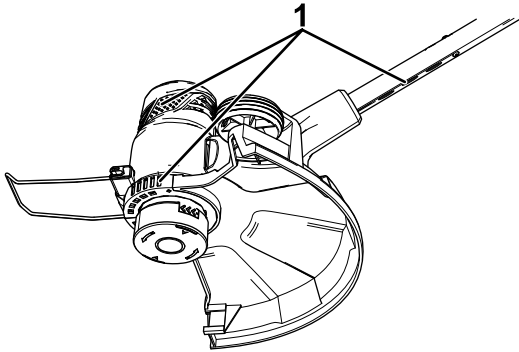


Figure 6

g194612

1. Trimmer venting areas
-

2. Align the cavity in the battery pack with the tongue on the handle housing (Figure 7).
3. Push the battery pack into the handle until the battery locks into the latch (Figure 7).

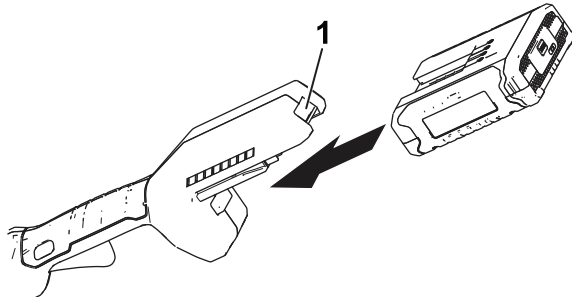


Figure 7

g189881

1. Battery latch
-

4. To start the trimmer, press the lockout button, then squeeze the variable-speed trigger (Figure 8).

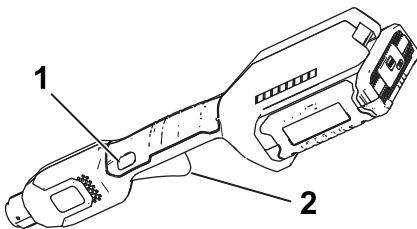


Figure 8

g189886

1. Lockout button
 2. Variable-speed trigger
-

Stopping the Trimmer

To stop the trimmer, release the trigger.

Removing the Battery Pack from the Trimmer

Press the battery latch on the machine to release the battery pack and slide the battery pack out of the machine (Figure 9).

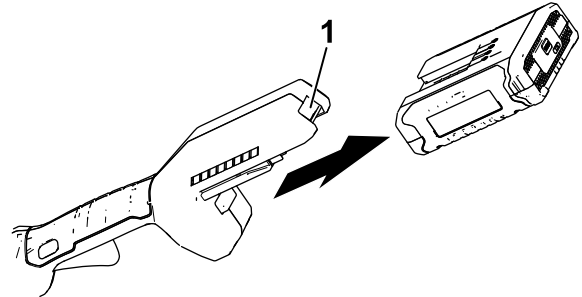


Figure 9

g192774

1. Battery latch
-

Charging the Battery Pack

Important: Read all safety precautions.

Important: Charge the battery pack only in temperatures that are within the appropriate range; refer to [Specifications \(page 9\)](#).

Note: At any time, press the battery-charge-indicator button on the battery pack to display the current charge (LED indicators).

1. Make sure that the vents on the battery pack are clear of any dust and debris.
2. Line up the cavity in the battery pack ([Figure 10](#)) with the tongue on the charger.

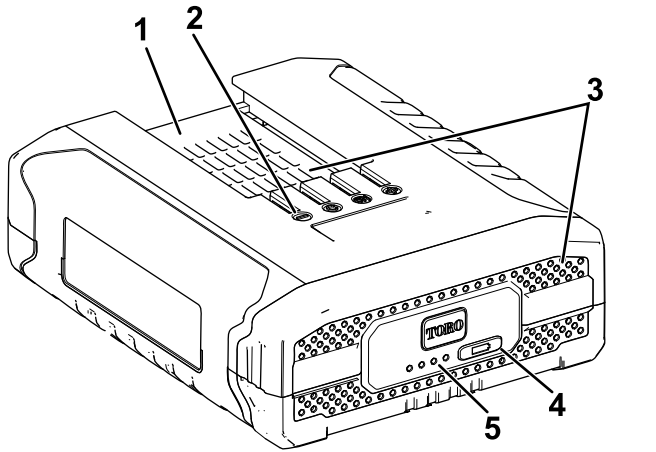


Figure 10

g192748

1. Battery pack cavity
2. Battery pack terminals
3. Battery pack venting areas
4. Battery-charge-indicator button
5. LED indicators (current charge)

3. Make sure that the vents on the battery charger are clear of any dust and debris.
4. Slide the battery pack into the charger until it is fully seated ([Figure 11](#)).

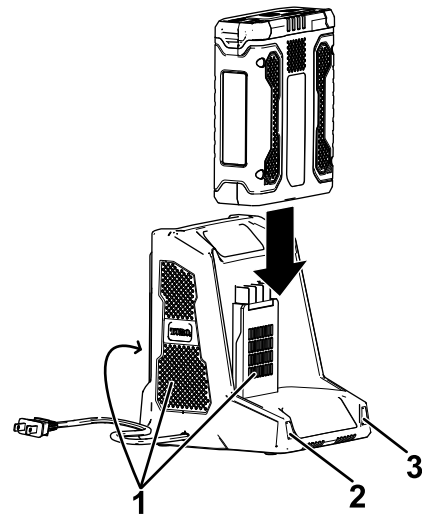


Figure 11

g194423

1. Charger venting areas
2. Left indicator light
3. Right indicator light

5. To remove the battery pack, slide the battery backward out of the charger.
6. Refer to the following table to interpret the LED indicators on the battery charger.

Left Light	Right Light	Indicates:
Off	Red	Charger is on; no battery pack inserted
Red	Red	Battery pack is charging
Green	Red	Battery pack is charged
Orange	Red	Battery pack is too warm
Red Blinking	Red	Replace the battery pack

Advancing the Line

Note: The trimmer is equipped with an auto-feed head.

1. With the trimmer running, release the switch trigger.
2. Wait a few seconds, then press the lockout button and squeeze the trigger.

Note: The line extends approximately 6 mm (1/4 inch) with each stop and start of the trimmer until the line reaches the length of the grass deflector blade.

3. Resume trimming.

Advancing the Line Manually

Remove the battery from the trimmer, then push the button at the base of the spool retainer while pulling on the trimmer line to manually advance the line.

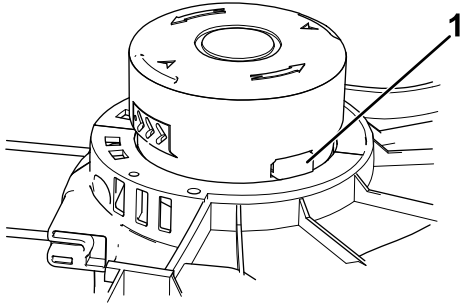


Figure 12

g203810

1. Button

Adjusting the Handle Height

1. Loosen the lower shaft connector (A of Figure 13).
2. Slide the telescoping shaft to your desired position (B of Figure 13).

Important: Do not slide the upper shaft over the vents on the lower shaft and do not remove the rubber bumper.

3. Tighten the handle connector to secure the handle (C of Figure 13).

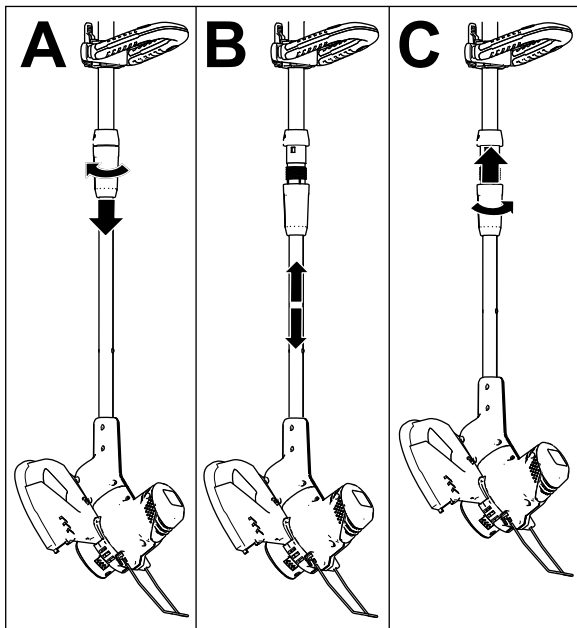


Figure 13

g203805

Adjusting the Auxiliary Handle

1. Release the auxiliary-handle latch (A of Figure 14).
2. Slide the auxiliary handle up or down to your desired height (B of Figure 14).

Important: Do not remove the rubber bumper.

3. Close the auxiliary-handle latch to secure the auxiliary handle in place (C of Figure 14).

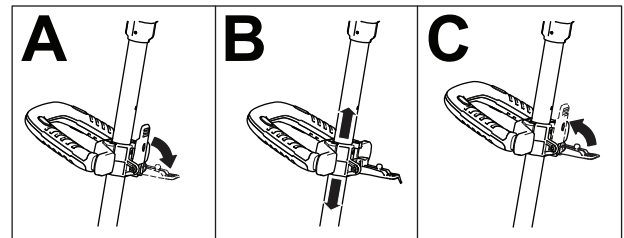


Figure 14

g189875

Trimming



Figure 15

g203806

Edging

To use the trimmer as an edger, refer to the following steps:

1. Press the rotator button, rotate the head 90°, and make sure that it locks into place (A of Figure 15).
2. Stand the trimmer on the wheel and begin edging (B of Figure 15).

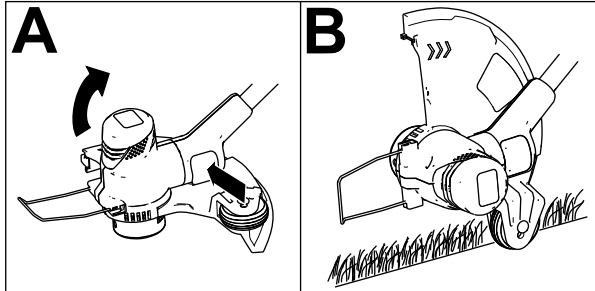


Figure 16

g203808

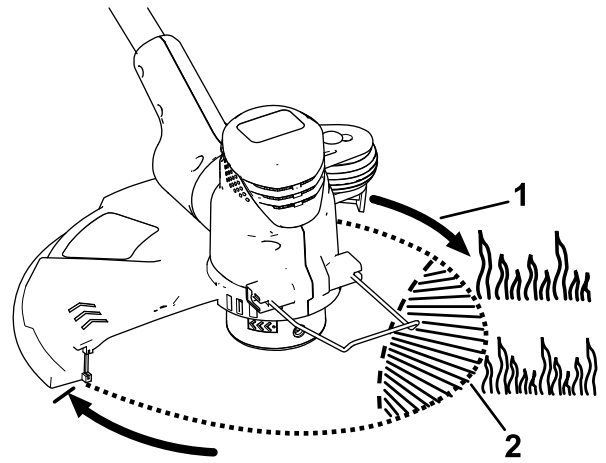


Figure 17

g203809

1. Direction of rotation
2. String path

Operating Tips

- Keep the trimmer tilted toward the area being cut; this is the best cutting area.
- The string trimmer cuts when you move it from left to right. This prevents the trimmer from throwing debris at you.
- Use the tip of the string to do the cutting; do not force the string head into uncut grass.
- Wire and picket fences can cause the string to wear rapidly and even break. Stone and brick walls, curbs, and wood can also cause the string to wear rapidly.
- Avoid trees and shrubs. The string can easily damage tree bark, wood moldings, siding, and fence posts.

Maintenance

After each use of the trimmer, complete the following:

1. Remove the battery from the trimmer.
2. Wipe the trimmer clean with a damp cloth. Do not hose the trimmer down or submerge it in water.

⚠ CAUTION

The line cutoff blade on the deflector is sharp and can cut you.

Do not use your hands to clean the deflector shield and blade.

3. Wipe or scrape clean the cutting head area any time there is an accumulation of debris.
4. Check and tighten all fasteners. If any part is damaged or lost, repair or replace it.
5. Brush debris away from air intake vents and exhaust on motor housing to prevent the motor from overheating.

Replacing the Spool

Use only 2 mm (0.080 inch) diameter monofilament string. Use Toro Part No. 88545 replacement string for best performance.

Important: Using a larger diameter string causes the motor to overheat and fail.

1. Remove the battery.
2. Push in the tabs on the side of the spool retaining cover (Figure 17).

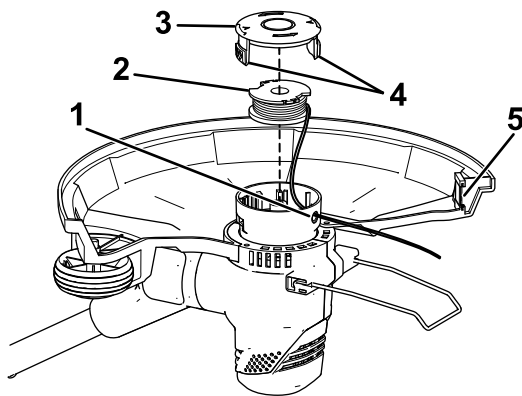


Figure 18

g203832

1. Eyelet
2. Spool
3. Spool retaining cover
4. Tabs
5. Line cutoff blade

3. Pull the spool retaining cover up to remove it and remove the spool.

4. Install the new spool so that the string aligns with the eyelet in the string head. Thread the string into the eyelet.
5. Verify that the end of the string extends approximately 152 mm (6 inches) beyond the slot.
6. Pull the string extending from the string head so that the string releases from the slot in the spool.
7. Install the spool retainer by pressing the tabs into the slots and pushing down until the spool retainer clicks into place.

Replacing the String

1. Remove the battery.
2. Remove the spool; refer to [Replacing the Spool \(page 14\)](#).

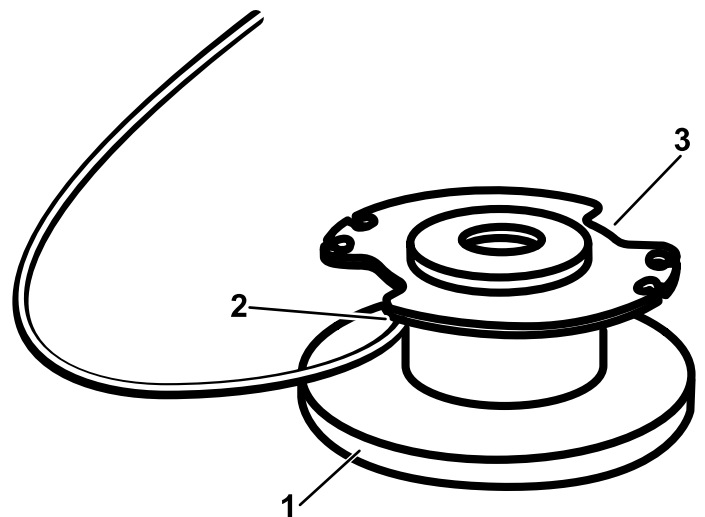


Figure 19

g203833

1. Spool
2. Anchor hole
3. Upper part of spool

Note: Remove any old string remaining on the spool.

3. The spool accepts approximately 3.9 m (13 ft) of string. **Use only 2 mm (0.080 inch) diameter monofilament string.**

Note: Do not use any other gauge or type of string, as this could damage the trimmer.

4. Insert the string into the anchor hole (Figure 19). Wind the string onto the spool in the direction shown by the arrows on the spool.
5. Place the string in the slot on the upper spool flange, leaving about 152 mm (6 inches) extended beyond the slot.

Note: Do not overfill. After winding the string, there should be at least 6 mm (1/4 inch) between

the wound string and the outside edge of the spool.

6. Replace the spool and the spool retainer; refer to [Replacing the Spool \(page 14\)](#).

Storage

Important: Store the tool, battery pack, and charger only in temperatures that are within the appropriate range; refer to [Specifications \(page 9\)](#).

Important: If you are storing the tool for a year or longer, remove the battery pack from the tool and charge the battery pack until 2 or 3 LED indicators turn blue on the battery. Do not store a fully charged or fully depleted battery. When ready to use again, charge the battery pack until the left indicator light turns green on the charger or all 4 LED indicators turn blue on the battery.

- Disconnect the product from the power supply (i.e., remove the plug from the power supply or the battery pack) and check for damage after use.
- Clean all foreign material from the product.
- When not in use, store the tool, battery pack, and battery charger out of the reach of children.
- Keep the tool, battery pack, and battery charger away from corrosive agents, such as garden chemicals and de-icing salts.
- To reduce the risk of serious personal injury, do not store the battery pack outside or in vehicles.
- Store the tool, battery pack, and battery charger in an enclosed clean, dry area.

Preparing the Battery Pack for Recycling

Important: Upon removal, cover the terminals of the battery pack with heavy-duty adhesive tape. Do not attempt to destroy or disassemble the battery pack or remove any of its components. Recycle or properly dispose of lithium-ion battery packs at a battery recycling facility.



For more information on recycling lithium-ion battery packs and to locate the battery recycling facility closest to you, visit www.Call2Recycle.org (US and Canada only). If you are located outside of the US and Canada, please contact your authorized Toro distributor.

Troubleshooting

Perform only the steps described in these instructions. All further inspection, maintenance, and repair work must be performed by an authorized service center or a similarly qualified specialist if you cannot solve the problem yourself.

Problem	Possible Cause	Corrective Action
The tool does not start.	<ol style="list-style-type: none"> The battery is not fully installed in the tool. The battery pack is not charged. The battery pack is damaged. There is another electrical problem with the tool. 	<ol style="list-style-type: none"> Remove and then replace the battery into the tool, making sure that it is fully installed and latched. Remove the battery pack from the tool and charge it. Replace the battery pack. Contact an Authorized Service Dealer.
The tool does not reach full power.	<ol style="list-style-type: none"> The battery pack charge capacity is too low. The air vents are blocked. 	<ol style="list-style-type: none"> Remove the battery pack from the tool and fully charge the battery pack. Clean the air vents.
The tool is producing excessive vibration or noise.	<ol style="list-style-type: none"> There is debris on the drum area on the trimmer. The spool is not properly wound. 	<ol style="list-style-type: none"> Clean any debris off of the drum area. Advance the line using the trigger switch and/or remove the line on the spool and wind the spool again.
The battery pack loses charge quickly.	<ol style="list-style-type: none"> The battery pack is over or under the appropriate temperature range. 	<ol style="list-style-type: none"> Move the battery pack to a place where it is dry and the temperature is between 0°C (32°F) and 40°C (104°F).
The battery charger is not working.	<ol style="list-style-type: none"> The battery charger is over or under the appropriate temperature range. The outlet that the battery charger is plugged into does not have power. 	<ol style="list-style-type: none"> Unplug the battery charger and move it to a place where it is dry and the temperature is between 0°C (32°F) and 40°C (104°F). Contact your licensed electrician to repair the outlet.
The battery pack shows only 3 LED indicators after only a few seconds of using a fully charged battery.	<ol style="list-style-type: none"> This is a normal occurrence. 	<ol style="list-style-type: none"> Stop the tool and press battery-charge-indicator button or the remove the battery from the tool to display the actual battery charge.
All 4 LED indicators are blinking on the battery pack after you press the battery-charge-indicator button on the battery pack and the current charge displays (when the battery pack is not in use).	<ol style="list-style-type: none"> The battery pack is over or under the appropriate temperature range. 	<ol style="list-style-type: none"> Move the battery pack to a place where it is dry and the temperature is between 0°C (32°F) and 40°C (104°F).
All 4 LED indicators are blinking on the battery pack after releasing the trigger (when the battery pack is in use).	<ol style="list-style-type: none"> The battery pack is over or under the appropriate temperature range. 	<ol style="list-style-type: none"> Move the battery pack to a place where it is dry and the temperature is between 0°C (32°F) and 40°C (104°F).
2 LED indicators are blinking on the battery pack after you press the battery-charge-indicator button on the battery pack and the current charge displays (when the battery pack is not in use).	<ol style="list-style-type: none"> There is a difference in voltage between cells in the battery pack. 	<ol style="list-style-type: none"> Place the battery on the charger until it is fully charged.
2 LED indicators are blinking on the battery pack after releasing the trigger (when the battery pack is in use).	<ol style="list-style-type: none"> There is a difference in voltage between cells in the battery pack. 	<ol style="list-style-type: none"> Place the battery on the charger until it is fully charged.

Problem	Possible Cause	Corrective Action
1 LED indicator is blinking on the battery pack.	1. The battery pack voltage is low.	1. Place the battery pack on the charger.
It is difficult to remove the battery pack from the tool.	1. The battery pack/tool is new or there is corrosion in the battery terminals and/or the terminals on the tool.	1. Clean the terminals on the battery pack and the tool. Then apply dielectric grease to the battery terminals; do not use any other type of lubricant as it can damage the terminals.

The Toro Promise - Electric Products

A Three-Year¹ Full Warranty for Residential Use for the United States and Canada

The Toro Company and its affiliate, Toro Warranty Company, pursuant to an agreement between them, jointly warrant this product for three years against defects in material or workmanship when used for normal residential purposes.*

¹ Does not include the battery. 1 Year Battery Warranty for Residential Use.

If you think your Toro Product contains a defect in materials or workmanship, if you have questions or problems, and before returning this product call toll free:

Trimmers:

1-800-237-2654 (US)

1-800-248-3258 (Canada)

Chainsaw:

1-855-340-7689 (US and Canada)

Blowers:

1-888-367-6631 (US)

1-888-430-1687 (Canada)

Snowthrowers:

1-800-808-2963 (US)

1-800-808-3072 (Canada)

To receive a replacement or repair, at our option, return the complete unit to the seller. United States and Canada customers may return their product, with proof of purchase, to any Authorized Service Dealer. United States customers may also return their product, with proof of purchase, postage prepaid, to the Toro Service Center, 5500 SE Delaware, Ankeny, IA 50021.

This warranty covers product defects only. **Neither The Toro Company nor Toro Warranty Company is liable for indirect, incidental, or consequential damages in connection with the use of the Toro Products covered by this warranty, including any cost or expense of providing substitute equipment or service during reasonable periods of malfunction or non-use pending completion of repairs under this warranty. Some states do not allow exclusions of incidental or consequential damages, so the above exclusions may not apply to you.** This warranty gives you specific legal rights, and you may also have other rights which vary from state to state.

Countries Other than the United States and Canada

This warranty is not valid in Mexico. Customers who have purchased Toro products exported from the United States or Canada should contact their Toro Distributor (Dealer) to obtain guarantee policies for your country, province, or state. If for any reason you are dissatisfied with your Distributor's service or have difficulty obtaining guarantee information, contact the Toro importer. If all other remedies fail, you may contact us at Toro Warranty Company.

Australian Consumer Law

Australian customers will find details relating to the Australian Consumer Law either inside the box or at your local Toro Dealer.

* Residential use means use of the product on the same lot as your home.

Part Number 374-0262 Rev. G



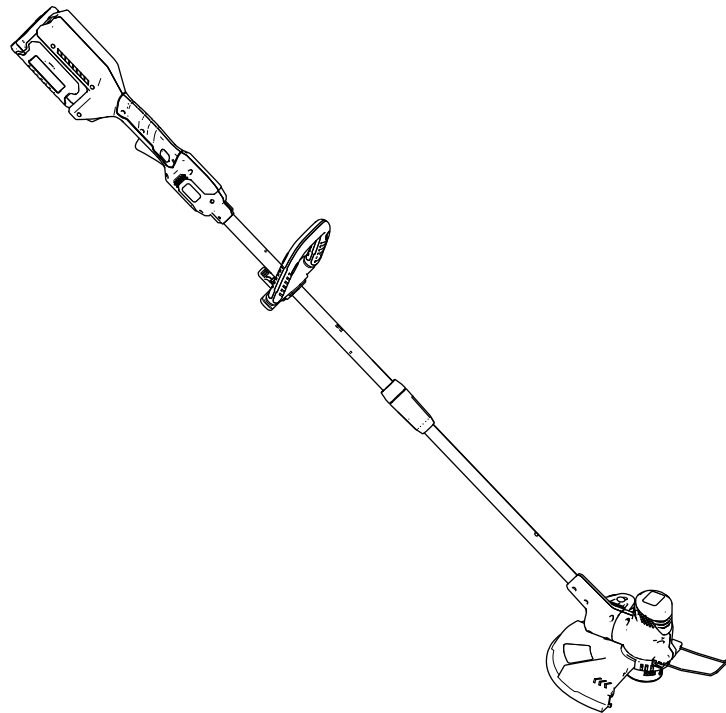
Count on it.

Manual del operador

**Desbrozadora/cortabordes
PowerPlex™ 40 V MAX de 33 cm
(13")**

Nº de modelo 51481—Nº de serie 317000001 y superiores

Nº de modelo 51481T—Nº de serie 317000001 y superiores





Si usted tiene alguna pregunta o algún problema, llame al teléfono gratuito 1-800-237-2654 (EE.UU.) o 1-800-248-3258 (Canadá) antes de devolver este producto.

⚠ ADVERTENCIA

CALIFORNIA

Advertencia de la Propuesta 65

Este producto contiene una o más sustancias químicas que el Estado de California considera causantes de cáncer, defectos congénitos o trastornos del sistema reproductor.

Introducción

Esta desbrozadora está diseñada para ser usada por usuarios domésticos para cortar la hierba en espacios exteriores. Está diseñada principalmente para usar baterías modelo 88540 (suministrada con el modelo 51481) o 88541.

Lea este manual detenidamente para aprender a utilizar y mantener correctamente su producto, y para evitar lesiones y daños al producto. Usted es responsable de utilizar el producto de forma correcta y segura.

Usted puede ponerse en contacto directamente con Toro en www.Toro.com si desea información sobre productos y accesorios, o si necesita localizar un distribuidor o registrar su producto.

El Modelo 51481T no incluye batería ni cargador.

Seguridad

ADVERTENCIA: Cuando se utilizan aparatos de jardinería eléctricos, es necesario observar unas normas básicas de seguridad, incluyendo las siguientes, a fin de reducir el riesgo de incendio, descarga eléctrica y lesiones personales:

⚠ ADVERTENCIA

El hacer caso omiso de todas las advertencias e instrucciones puede dar lugar a descargas eléctricas, incendios y/o lesiones graves.

Lea todas las advertencias e instrucciones de seguridad.

Guarde todas las advertencias e instrucciones para su referencia futura.

El término "herramienta eléctrica" que aparece en las advertencias se refiere siempre a una herramienta accionada por el suministro eléctrico de la red (con cable) o una herramienta eléctrica accionada por batería (sin cable).

1. Seguridad de la zona de trabajo

- A. **Mantenga la zona de trabajo limpia y bien iluminada.** *Las zonas desordenadas u oscuras son una invitación al accidente.*
- B. **No utilice herramientas eléctricas en atmósferas explosivas, como por ejemplo en presencia de líquidos inflamables, gases o polvo.** *Las herramientas eléctricas crean chispas que pueden inflamar el polvo o los vapores.*
- C. **Mantenga alejados a niños y otras personas mientras utiliza una herramienta eléctrica.** *Las distracciones pueden hacer que pierda el control.*
- D. **Evite entornos peligrosos.** *No utilice los aparatos en lugares húmedos o mojados.*

2. Seguridad personal

- A. **Manténgase alerta, esté atento a lo que está haciendo y utilice el sentido común mientras utiliza una herramienta eléctrica. No utilice una herramienta eléctrica si está cansado o bajo la influencia de drogas, alcohol o medicamentos.** *Una breve falta de atención mientras utiliza una herramienta eléctrica podría provocar lesiones personales graves.*
- B. **Utilice equipos de protección personal. Lleve siempre protección ocular.** *El uso de equipos de protección personal como mascarillas, calzado de seguridad antideslizante, casco y protección auditiva*

en condiciones apropiadas reducirá el riesgo de lesiones personales.

- C. **Evite el encendido accidental.**
Asegúrese de que el interruptor está en la posición de APAGADO antes de conectar la herramienta a la toma de corriente y/o a la batería, y antes de levantar o transportar la herramienta.
Transportar las herramientas eléctricas con el dedo sobre el interruptor o enchufar herramientas eléctricas con el interruptor en la posición de encendido es una invitación al accidente.
 - D. **No intente alcanzar zonas demasiado alejadas. Pise firme y mantenga el equilibrio en todo momento.** *Esto permite un mayor control de la herramienta en situaciones imprevistas.*
 - E. **Utilice la ropa adecuada. No lleve ropas o joyas sueltas. Mantenga el pelo, la ropa y los guantes alejados de las piezas móviles.** *La ropa suelta, las joyas y el pelo largo pueden quedar atrapados en las piezas móviles.*
 - F. **Mantenga las manos y los pies alejados de la zona de corte.**
3. **Uso y cuidado de las herramientas eléctricas**
- A. **No fuerce la herramienta eléctrica.**
Utilice la herramienta eléctrica adecuada para el trabajo a realizar. *La herramienta eléctrica correcta realizará el trabajo mejor y con mayor seguridad a la velocidad para la que fue diseñada.*
 - B. **No utilice la herramienta eléctrica si el interruptor no la enciende y apaga.**
Cualquier herramienta eléctrica que no pueda ser controlada con el interruptor es peligrosa y debe ser reparada.
 - C. **Retire la batería de la herramienta eléctrica antes de realizar cualquier ajuste, cambiar de accesorio o almacenar la herramienta.** *Estas medidas de seguridad preventivas reducen el riesgo de un arranque accidental de la herramienta eléctrica.*
 - D. **Si no la está usando, guarde la herramienta eléctrica fuera del alcance de los niños, y no permita que la utilicen personas no familiarizadas con la herramienta eléctrica o con estas instrucciones de uso.** *Las herramientas eléctricas son peligrosas en manos de usuarios inexpertos.*
 - E. **Guarde bajo techo los aparatos que no se están utilizando.** *Cuando no se están*

utilizando, los aparatos deben guardarse en un lugar seco, en alto o bajo llave, y fuera del alcance de los niños.

- F. **Mantenimiento de las herramientas eléctricas.** **Compruebe que las piezas móviles están correctamente alineadas y que se mueven libremente sin agarrotarse, que no hay piezas rotas, y que no hay otras circunstancias que podrían afectar al uso de las herramientas eléctricas.** **Si existen daños, haga reparar la herramienta eléctrica antes de usarla.** *Muchos accidentes se deben a un mantenimiento deficiente de las herramientas eléctricas.*
- G. **Mantenga debidamente el aparato.**
Mantenga afilado y limpio el filo de corte para obtener el mejor rendimiento y para reducir el riesgo de lesiones. Siga las instrucciones para lubricar y cambiar de accesorio. Mantenga las empuñaduras secas, limpias y libres de aceite y grasa.
- H. **Mantenga las herramientas de corte afiladas y limpias.** *Una herramienta de corte bien mantenida con filos bien afilados es más fácil de controlar y hay menos probabilidades de que se agarrote.*
- I. **Utilice la herramienta eléctrica según lo indicado en estas instrucciones y de la manera prevista para cada tipo de herramienta eléctrica, teniendo en cuenta las condiciones de trabajo y el trabajo a realizar.** *Usar la herramienta eléctrica para operaciones diferentes de las previstas podría dar lugar a una situación de peligro.*
- J. **Mantenga los protectores colocados y en buen estado de funcionamiento.**
- K. **Compruebe si hay piezas dañadas.** *Antes de seguir utilizando el aparato, si hay un protector u otro componente dañado, es necesario comprobarlo detenidamente para determinar si puede funcionar correctamente y cumplir su cometido. Compruebe que las piezas móviles están correctamente alineadas y que se mueven libremente sin agarrotarse, que están correctamente montadas, que no hay piezas rotas, y que no hay otras circunstancias que podrían afectar a su uso. Si hay un protector u otro componente dañado, debe ser debidamente reparado o sustituido por un servicio técnico autorizado a menos que se indique lo contrario en este manual.*

4. **Mantenimiento**

El mantenimiento de su herramienta eléctrica debe ser realizado por un técnico de reparaciones debidamente cualificado, utilizando únicamente piezas de repuesto idénticas. Sólo de esta manera se garantiza el mantenimiento de la seguridad de la herramienta eléctrica.

5. Seguridad de las baterías

- A. No cargue el aparato bajo la lluvia o en lugares húmedos.
- B. No utilice aparatos alimentados por batería bajo la lluvia.
- C. Utilice únicamente baterías del siguiente tipo y tamaño: batería Toro modelo 88540 o 88541.
- D. Retire o desconecte la batería antes de realizar tareas de mantenimiento o limpieza,

y antes de retirar materiales del aparato de jardinería.

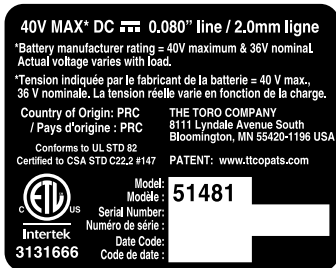
- E. No tire la(s) batería(s) al fuego. Las celdas pueden explotar. Compruebe si la normativa local contiene alguna instrucción especial sobre la eliminación de las baterías.
- F. No abra ni mutile la(s) batería(s). El electrolito liberado es corrosivo y puede causar daños en los ojos o la piel. Puede ser tóxico si es ingerido.
- G. Al manipular las baterías, tenga cuidado para evitar cortocircuitos con materiales conductores, tales como anillos, pulseras o llaves. La batería o el conductor pueden sobrecalentarse y causar quemaduras.

GUARDE ESTAS INSTRUCCIONES

Pegatinas de seguridad e instrucciones



Las pegatinas de seguridad e instrucciones están a la vista del operador y están ubicadas cerca de cualquier zona de peligro potencial. Sustituya cualquier pegatina que esté dañada o que falte.



decal136-2463

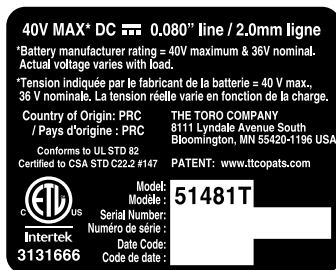
136-2463

Modelo 51481



decal136-2471

136-2471



decal136-2464

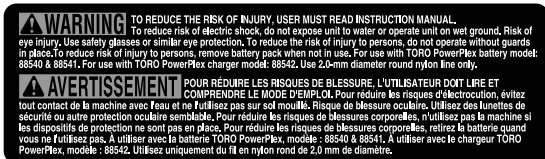
136-2464

Modelo 51481T



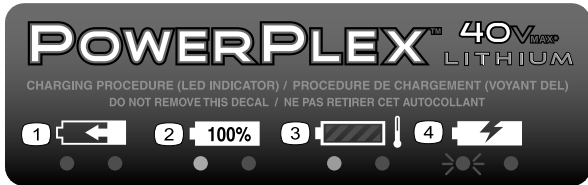
136-2473

decal136-2473



136-2474

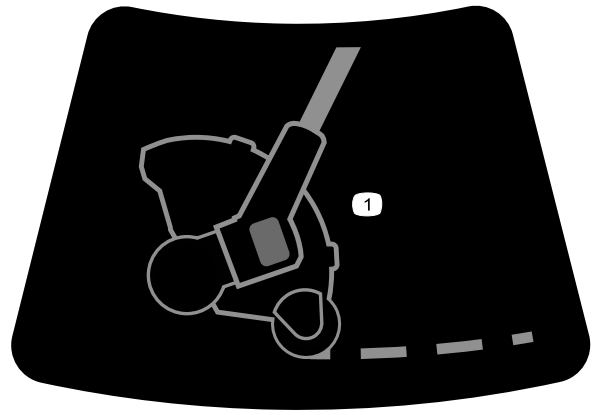
decal136-2474



136-2476

decal136-2476

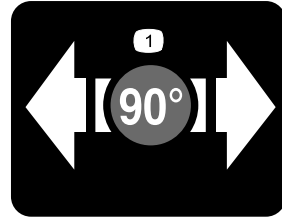
1. La batería se está cargando.
2. La batería está completamente cargada.
3. La batería está demasiado caliente.
4. Sustituya la batería.



136-2482

decal136-2482

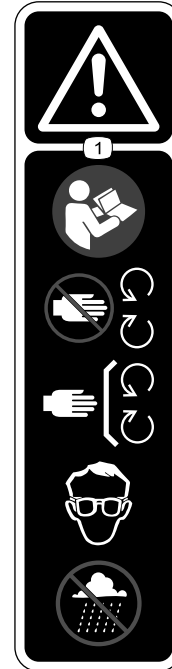
1. Desbrozadora/cortabordes de hilo



136-2484

decal136-2484

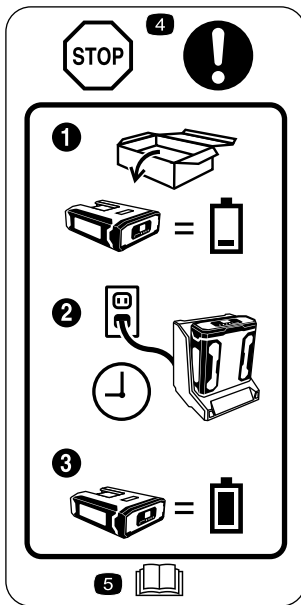
1. Presionar para girar.



136-2533

decal136-2533

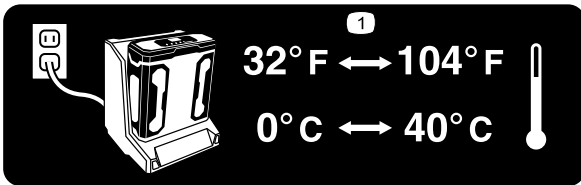
1. Advertencia: lea el *Manual del operador*; manténgase alejado de las piezas móviles; mantenga colocados todos los protectores y cubiertas; utilice protección ocular; no utilice en condiciones húmedas.



decal136-2534

136-2534

1. La batería no se suministra totalmente cargada.
2. Coloque la batería en el cargador.
3. Espere a que la batería este totalmente cargada antes del primer uso.
4. Pare: siga estas instrucciones antes del primer uso.
5. Lea el *Manual del operador*.



decal136-2539

136-2539

1. Cargue la batería a una temperatura de entre 0 °C y 40 °C (32 °F y 104 °F).

Montaje

Piezas sueltas

Utilice la tabla siguiente para verificar que no falta ninguna pieza.

Procedimiento	Descripción	Cant.	Uso
1	No se necesitan piezas	–	Monte el cargador de la batería (opcional)
2	No se necesitan piezas	–	Despliegue el mango.
3	Empuñadura auxiliar	1	Instale la empuñadura auxiliar.
4	Protector Tornillo Phillips	1 2	Instale el protector.
5	Protector de bordes de alambre	1	Instale el protector de bordes.

Nota: En el momento de la compra la batería no está totalmente cargada. Antes de usar la herramienta por primera vez, consulte [Carga de la batería \(página 12\)](#).

1

Cómo montar el cargador de la batería (opcional)

No se necesitan piezas

Procedimiento

Si lo desea, monte el cargador de la batería firmemente en la pared utilizando los orificios de montaje en pared en la parte trasera del cargador.

Móntelo en un espacio interior (tal como un garaje u otro lugar seco), cerca de una toma de corriente y fuera del alcance de los niños.

Consulte la [Figura 1](#) para obtener asistencia sobre el montaje del cargador.

Nota: Coloque el cargador sobre las fijaciones correctamente posicionadas y gírelo para fijarlo en su lugar (fijaciones no incluidas).

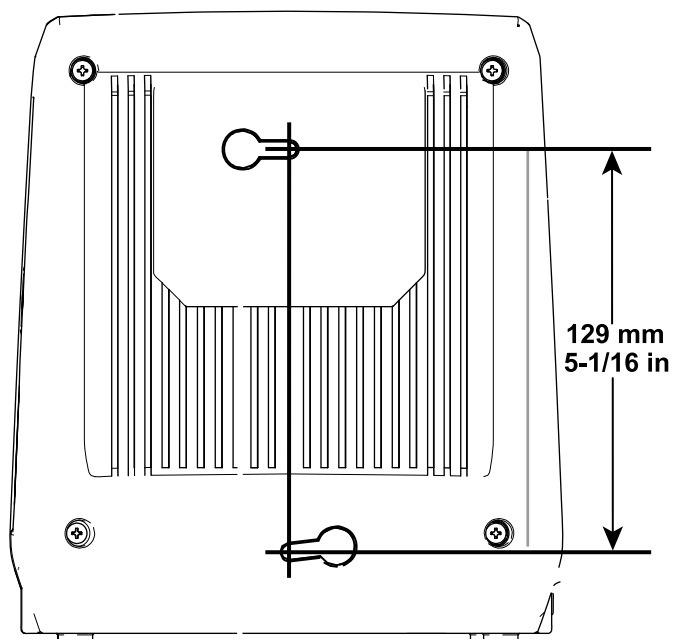


Figura 1

g194202

2

Cómo desplegar el mango

No se necesitan piezas

Procedimiento

1. Despliegue el mango (Figura 2, A).
2. Mantenga presionado el botón de bloqueo del eje superior, alinee el botón de bloqueo con el orificio longitudinal del eje inferior y junte los 2 ejes. Cuando el orificio longitudinal del eje inferior sobrepase el botón de bloqueo, libere el botón de bloqueo y deslice el eje inferior en el eje superior hasta que la desbrozadora esté a la altura deseada (Figura 2, B).

Nota: Use el botón de bloqueo únicamente para el montaje y desmontaje. No es necesario usar el botón para ajustar el mango.

3. Ajuste el conector del eje inferior para fijar el mango a la altura deseada (Figura 2, C).

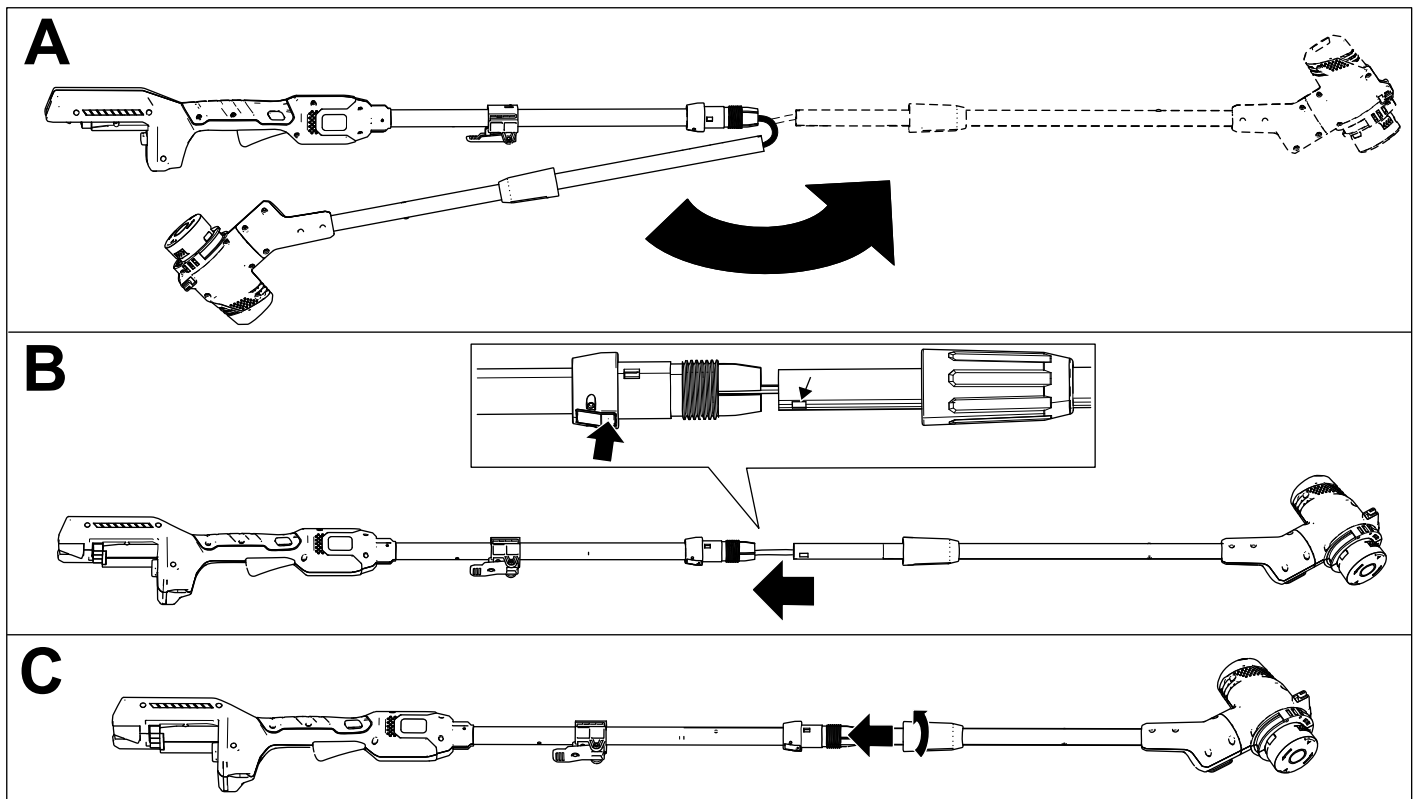


Figura 2

g195351

3

Instalación de la empuñadura auxiliar

Piezas necesarias en este paso:

1	Empuñadura auxiliar
---	---------------------

Procedimiento

1. Alinee la ranura del mango con la ranura de la empuñadura auxiliar y deslice la empuñadura auxiliar hacia el mango de la desbrozadora (Figura 3, A).
2. Encaje firmemente la empuñadura en su sitio (Figura 3, B).

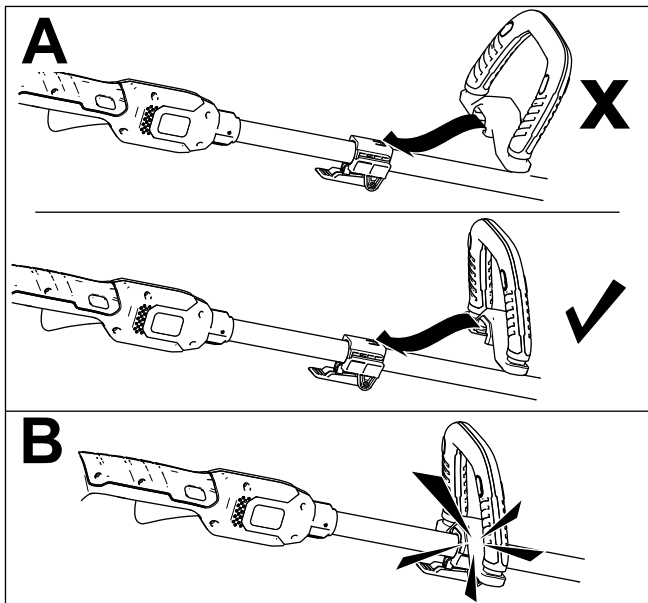


Figura 3

g195362

4

Instalación del protector

Piezas necesarias en este paso:

1	Protector
2	Tornillo Phillips

Procedimiento

1. Retire los 2 tornillos Phillips que están sujetos con cinta al protector y coloque el protector en la base de la desbrozadora (Figura 4, A).
2. Sujete el protector en la base de la desbrozadora con los 2 tornillos Phillips (Figura 4, B).

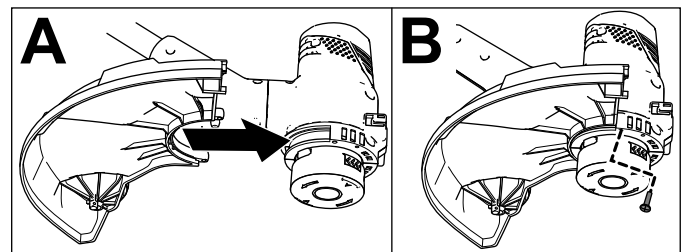


Figura 4

g203804

5

Instalación del protector de bordes

Piezas necesarias en este paso:

1	Protector de bordes de alambre
---	--------------------------------

Procedimiento

Separe un poco los extremos del protector de bordes de alambre, e inserte los extremos en los orificios de la carcasa de la desbrozadora, como se muestra en la [Figura 5](#).

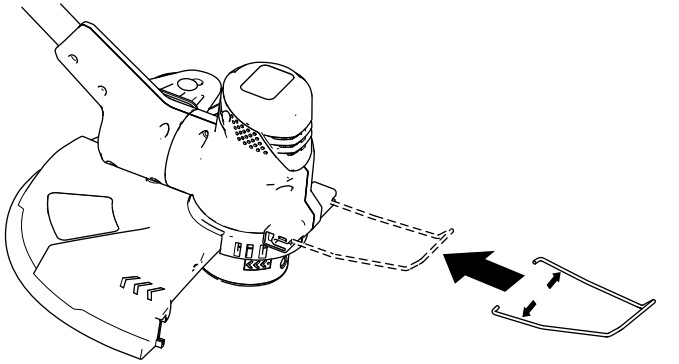


Figura 5

g203740

El producto

Especificaciones

Intervalos de temperatura adecuados

Cargue la batería a	Entre 0 °C y 40 °C (32 °F y 104 °F)*
Utilice el producto a	Entre -15 °C y 60 °C (5 °F y 140 °F)
Almacene el producto a	Entre -15 °C y 60 °C (5 °F y 140 °F)
Desenchufe el cargador a	Menos de 0 °C (32 °F) o más de 40 °C (104 °F)

* El tiempo de carga será mayor si la temperatura no está en este intervalo durante la carga.

Guarde la herramienta, la batería y el cargador en un lugar cerrado, limpio y seco.

Operación

Cómo arrancar la desbrozadora

1. Compruebe que los orificios de ventilación de la desbrozadora están libres de polvo y residuos.

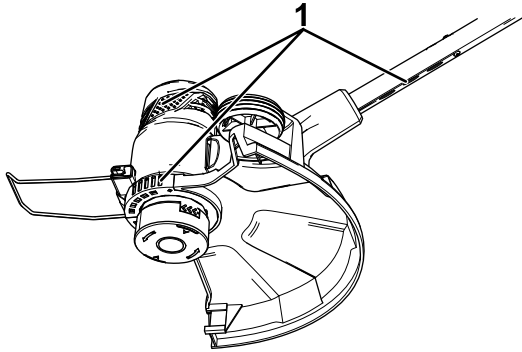


Figura 6

g194612

1. Zonas de ventilación de la desbrozadora

2. Alinee el hueco de la batería con la lengüeta del alojamiento del mango (Figura 7).
3. Introduzca la batería en el mango hasta la batería encaje en el cierre (Figura 7).

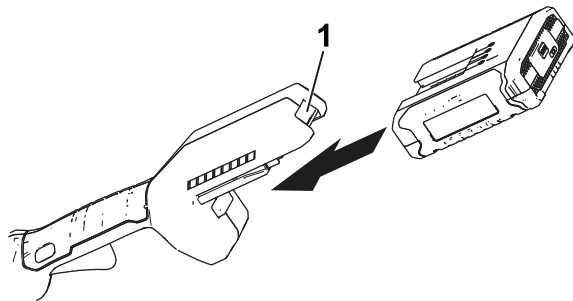


Figura 7

g189881

1. Cierre de la batería

4. Para arrancar la desbrozadora, presione el botón de bloqueo y apriete el gatillo de velocidad variable (Figura 8).

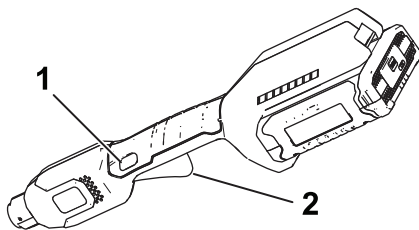


Figura 8

g189886

1. Botón de bloqueo
2. Gatillo de velocidad variable

Cómo parar la desbrozadora

Para parar la desbrozadora, suelte el gatillo.

Cómo retirar la batería de la desbrozadora

Presione el cierre de la batería en la máquina para liberar la batería, y retire la batería de la máquina (Figura 9).

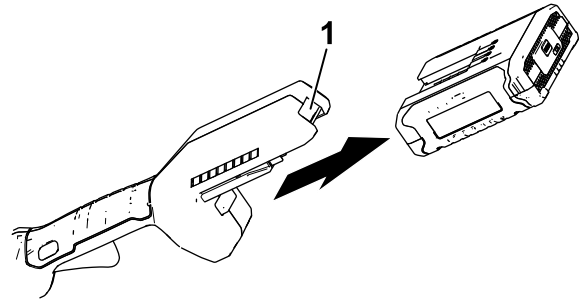


Figura 9

g192774

1. Cierre de la batería

Carga de la batería

Importante: Lea todas las precauciones de seguridad.

Importante: Cargue la batería solo a temperaturas que estén dentro del intervalo apropiado; consulte [Especificaciones \(página 10\)](#).

Nota: En cualquier momento, presione el botón del indicador de carga de la batería de la batería para mostrar la carga actual (indicadores LED).

1. Compruebe que los orificios de ventilación de la batería están libres de polvo y residuos.
2. Alinee el hueco de la batería (Figura 10) con la lengüeta del cargador.

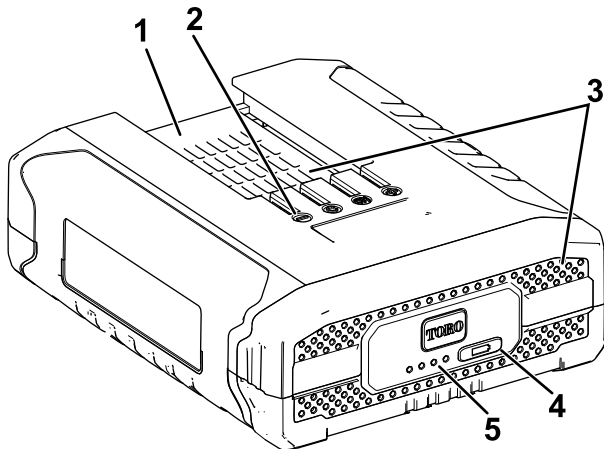


Figura 10

g192748

1. Hueco de la batería
2. Terminales de la batería
3. Zonas de ventilación de la batería
4. Botón del indicador de carga de la batería
5. Indicadores LED (carga actual)

3. Compruebe que los orificios de ventilación del cargador de la batería están libres de polvo y residuos.
4. Introduzca la batería en el cargador hasta que esté completamente asentada (Figura 11).

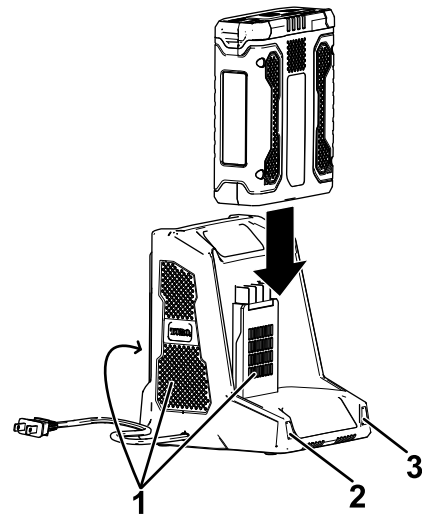


Figura 11

g194423

1. Zonas de ventilación del cargador
2. Indicador izquierdo
3. Indicador derecho cargador

5. Para retirar la batería, deslice la batería hacia atrás para sacarla del cargador.
6. Consulte la tabla siguiente para interpretar los indicadores LED del cargador de la batería.

Indicador izquierdo	Indicador derecho	Indica:
Apagado	Rojo	Cargador encendido, sin batería
Rojo	Rojo	La batería se está cargando
Verde	Rojo	La batería está cargada
Naranja	Rojo	La batería está demasiado caliente
Rojo intermitente	Rojo	Sustituya la batería

Avance del hilo

Nota: La desbrozadora incorpora un cabezal de avance automático.

1. Con la desbrozadora en marcha, suelte el interruptor del gatillo.
2. Espere unos segundos, luego presione el botón de bloqueo y apriete el gatillo.

Nota: El hilo avanza 6 mm (¼") aproximadamente cada vez que apague y encienda la desbrozadora, hasta que el hilo alcanza la longitud de la cuchilla del deflector de hierba.

3. Siga usando la desbrozadora.

Avance manual del hilo

Retire la batería de la desbrozadora, luego pulse el botón situado en la base del retén del carrete mientras tira del hilo de la desbrozadora para avanzar el hilo manualmente.

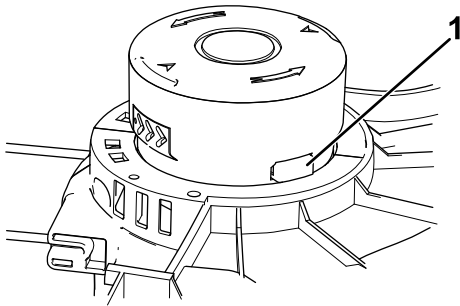


Figura 12

g203810

1. Botón

Ajuste de la altura del mango

1. Afloje el conector del eje inferior (Figura 13, A).
2. Mueva el eje telescópico hasta la posición deseada (Figura 13, B).

Importante: No mueva el eje superior sobre los orificios de ventilación del eje inferior, y no retire el protector de goma.

3. Apriete el conector para fijar el mango (Figura 13, C).

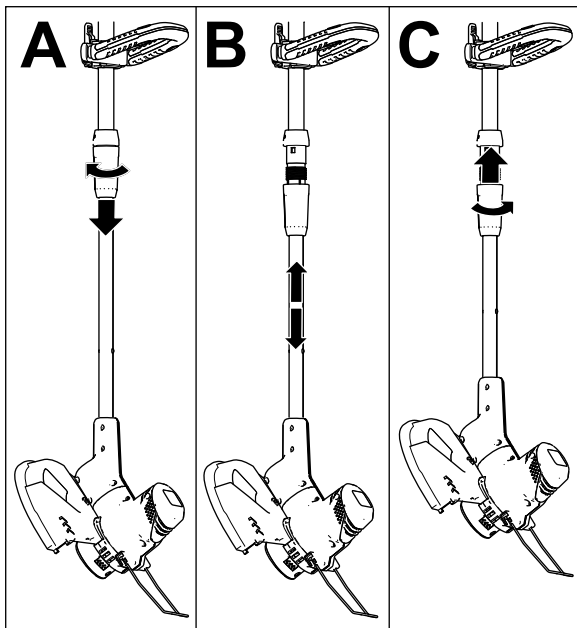


Figura 13

g203805

Cómo ajustar la empuñadura auxiliar

1. Abra el pestillo de la empuñadura auxiliar (Figura 14, A).
2. Deslice la empuñadura auxiliar hacia arriba o abajo hasta la posición deseada (Figura 14, B).

Importante: No desmonte el paragolpes de goma.

3. Cierre el pestillo de la empuñadura auxiliar para fijarla en su lugar (Figura 14, C).

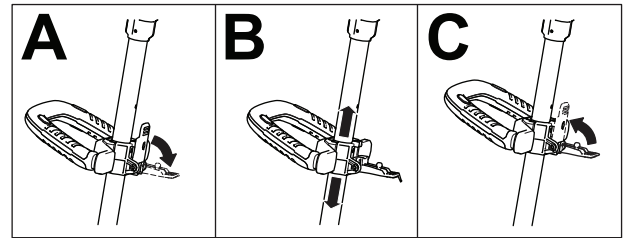


Figura 14

g189875

Uso de la desbrozadora



Figura 15

g203806

Arreglo de bordes

Para usar la desbrozadora como cortabordes, consulte los siguientes pasos:

1. Presione el botón de giro, rote el cabezal 90° y asegúrese de que se bloquea en su sitio (Figura 15, A).
2. Apoye la desbrozadora sobre la rueda y comience a arreglar los bordes (Figura 15, B).

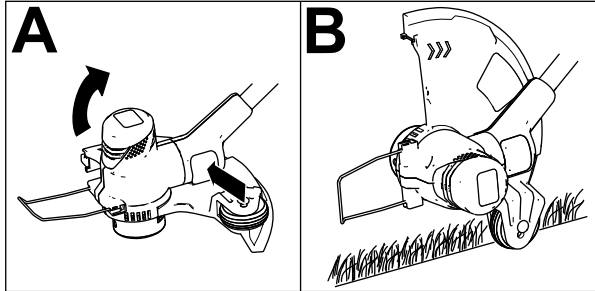


Figura 16

g203808

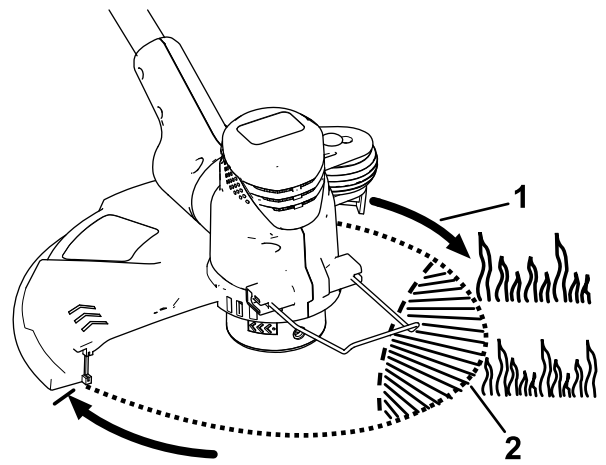


Figura 17

g203809

1. Sentido de rotación
2. Camino del hilo

Consejos de operación

- Mantenga la desbrozadora inclinada hacia la zona que está cortando; ésta es la mejor zona de corte.
- La desbrozadora de hilo corta al moverla de izquierda a derecha. Esto evita que la desbrozadora arroje residuos hacia usted.
- Utilice el extremo del hilo para cortar; no introduzca la base entera a la fuerza en la hierba sin cortar.
- Las vallas de alambre o madera pueden provocar que el hilo se desgaste rápidamente, e incluso pueden romperlo. Los muros de piedra o ladrillo, los bordillos y la madera también pueden desgastar el hilo rápidamente.
- Evite los árboles y los arbustos. El hilo puede dañar fácilmente la corteza de los árboles, las molduras de madera, los revestimientos, y los postes de las vallas.

Mantenimiento

Después de cada uso de la desbrozadora, complete los procedimientos siguientes:

1. Retire la batería de la desbrozadora.
2. Limpie la desbrozadora pasando un paño húmedo. No lave la desbrozadora con una manguera ni la sumerja en agua.

⚠ CUIDADO

La cuchilla de corte del hilo, situada en el deflector, está muy afilada y puede cortarle.

No utilice las manos para limpiar el deflector o la cuchilla.

3. Limpie el cabezal de corte con un paño, rascando si es necesario, si observa una acumulación de residuos.
4. Compruebe y apriete todas las fijaciones. Repare o sustituya cualquier pieza dañada o que falte.
5. Con un cepillo, elimine cualquier residuo de las entradas y salidas de aire de la carcasa del motor para evitar que se sobrecaliente el motor.

Cambio del carrete

Utilice solamente hilo monofilamento de 2 mm (0.080") de diámetro. Para obtener el mejor rendimiento, utilice hilo de recambio de Toro, Pieza N° 88545.

Importante: El uso de un hilo de diámetro mayor puede hacer que el motor se sobrecaliente y se averíe.

1. Retire la batería.
2. Presione las pestañas laterales de la tapa de retención del carrete ([Figura 17](#)).

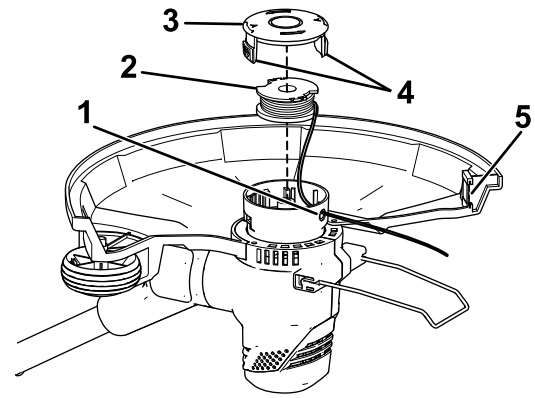


Figura 18

g203832

- | | |
|----------------------------------|-------------------------------|
| 1. Ojal | 4. Pestañas |
| 2. Carrete | 5. Cuchilla de corte del hilo |
| 3. Tapa de retención del carrete | |

3. Tire hacia arriba de la tapa de retención del carrete para retirarlo, y retire el carrete.
4. Instale el carrete nuevo con el hilo alineado con el ojal del cabezal. Pase el hilo por el ojal.
5. Asegúrese de que el extremo del hilo sobresale unos 152 mm (6") de la ranura.
6. Tire del hilo que sale del cabezal hasta que el hilo se desenganche de la ranura del carrete.
7. Instale el retén del carrete introduciendo las pestañas en las ranuras y presionando hacia abajo hasta que el retén del carrete se enganche en su sitio.

Cambio del hilo

1. Retire la batería.
2. Retire el carrete; consulte [Cambio del carrete \(página 15\)](#).

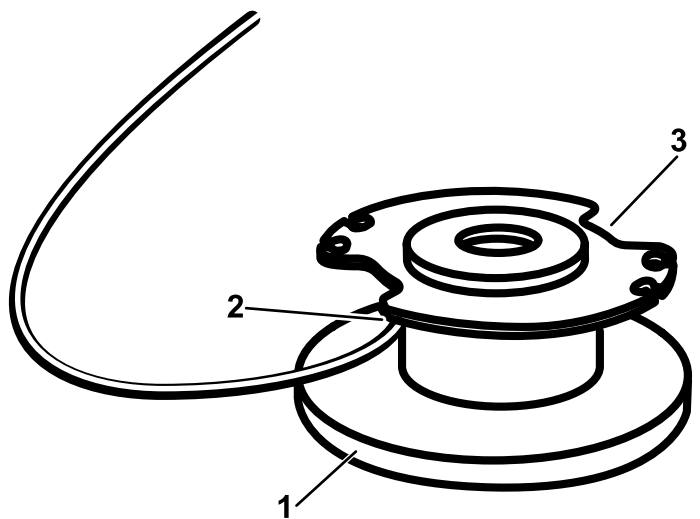


Figura 19

g203833

1. Carrete
2. Orificio de anclaje
3. Parte superior del carrete

Nota: Retire cualquier hilo que quede en el carrete.

3. Cada lado del carrete admite aproximadamente 3.9 m (13 pies) de hilo. **Utilice solamente hilo monofilamento de 2 mm (0.080") de diámetro.**

Nota: No utilice ningún otro tipo o grosor de hilo, porque podría dañar la desbrozadora.

4. Inserte el hilo por el orificio de anclaje (Figura 19). Enrolle el hilo en el carrete en el sentido indicado por las flechas marcadas en el carrete.
5. Coloque el hilo en la ranura de la brida superior del carrete, dejando unos 152 mm (6") de hilo libre.

Nota: No llene demasiado. Después de enrollar el hilo, debe quedar al menos 6 mm (1/4") entre el hilo enrollado y el borde exterior del carrete.

6. Vuelva a colocar el carrete y el retén; consulte [Cambio del carrete \(página 15\)](#).

encienda la luz indicadora izquierda verde en el cargador o todos los indicadores LED se vuelven azules en la batería.

- Desconecte el producto del suministro de energía (es decir, retire el enchufe del suministro de energía o la batería) y compruebe si hay daños después del uso.
- Limpie cualquier material extraño del producto.
- Cuando no se estén utilizando, almacene la herramienta, la batería y el cargador de la batería fuera del alcance de los niños.
- Mantenga la herramienta, la batería y el cargador de la batería alejados de agentes corrosivos como productos químicos de jardín o sal para deshielo.
- Para reducir el riesgo de lesiones personales graves, no almacene la batería en el exterior o en un vehículo.
- Guarde la herramienta, la batería y el cargador en un lugar cerrado, limpio y seco.

Preparación de la batería para el reciclado

Importante: Al retirarla, cubra los terminales de la batería con cinta adhesiva de servicio pesado. No intente destruir o desmontar la batería ni intente retirar cualquiera de los componentes de la misma. Recicle o elimine adecuadamente las baterías de iones de litio en un centro de reciclaje de baterías.



Si desea obtener más información sobre el reciclaje de las baterías de iones de litio o localizar las instalaciones de reciclaje de baterías más próximas, visite www.Call2Recycle.org (EE.UU. y Canadá únicamente). Si se encuentra fuera de EE.UU. o Canadá, póngase en contacto con su distribuidor Toro autorizado.

Almacenamiento

Importante: Almacene la herramienta, la batería y el cargador solo a temperaturas que estén dentro del intervalo apropiado; consulte [Especificaciones \(página 10\)](#).

Importante: Si va a almacenar la herramienta durante un año o más, retire la batería de la herramienta y cargue la batería hasta que 2 o 3 de los indicadores LED de la batería cambien a azul. No almacene la batería completamente cargada ni completamente descargada. Cuando vaya a usarla nuevamente, cargue la batería hasta que se

Solución de problemas

Realice solo los pasos descritos en estas instrucciones. Cualquier otro trabajo de inspección, mantenimiento o reparación debe ser realizado por un Servicio Técnico Autorizado o por un especialista autorizado si no puede solucionar el problema usted mismo.

Problema	Posible causa	Acción correctora
La herramienta no arranca.	<ol style="list-style-type: none"> 1. La batería no está correctamente instalada en la herramienta. 2. La batería no está cargada. 3. La batería está dañada. 4. Hay otro problema eléctrico con la herramienta. 	<ol style="list-style-type: none"> 1. Retire y luego vuelva a colocar la batería en la herramienta, asegurándose de que está completamente instalada y bloqueada. 2. Retire la batería de la herramienta y cárguela. 3. Sustituya la batería. 4. Póngase en contacto con el Servicio Técnico Autorizado.
La herramienta no alcanza la potencia completa.	<ol style="list-style-type: none"> 1. La batería está casi descargada. 2. Los orificios de ventilación están obstruidos. 	<ol style="list-style-type: none"> 1. Retire la batería de la herramienta y cargue la batería completamente. 2. Limpie los orificios de ventilación.
La herramienta produce vibraciones o ruidos excesivos.	<ol style="list-style-type: none"> 1. Hay residuos en el área del tambor de la desbrozadora. 2. El carrete no está bien enrollado. 	<ol style="list-style-type: none"> 1. Limpie los residuos del área del tambor. 2. Haga avanzar el hilo usando el interruptor del gatillo y/o retire el hilo del carrete y vuelva a enrollarlo en el carrete.
La batería se descarga rápidamente.	<ol style="list-style-type: none"> 1. La temperatura de la batería está por encima o por debajo del intervalo de temperatura adecuado. 	<ol style="list-style-type: none"> 1. Traslade la batería a un lugar seco cuya temperatura sea de entre 0 °C y 40 °C (32 °F y 104 °F).
El cargador de la batería no funciona.	<ol style="list-style-type: none"> 1. La temperatura del cargador de la batería está por encima o por debajo del intervalo de temperatura adecuado. 2. La toma de corriente en la que está enchufado el cargador de la batería no tiene corriente. 	<ol style="list-style-type: none"> 1. Desenchufe el cargador de la batería y trasládalo a un lugar seco cuya temperatura sea de entre 0 °C y 40 °C (32 °F y 104 °F). 2. Póngase en contacto con un electricista autorizado para que repare la toma de corriente.
La batería muestra solo 3 indicadores LED después de pocos segundos de uso de una batería completamente cargada.	<ol style="list-style-type: none"> 1. Esto es normal. 	<ol style="list-style-type: none"> 1. Pare la herramienta y presione el botón indicador de carga de la batería o retire la batería de la herramienta para mostrar la carga real de la batería.
Los 4 indicadores LED de la batería parpadean después de presionar el botón del indicador de carga de la batería, y se muestra la carga actual (cuando la batería no se está usando).	<ol style="list-style-type: none"> 1. La temperatura de la batería está por encima o por debajo del intervalo de temperatura adecuado. 	<ol style="list-style-type: none"> 1. Traslade la batería a un lugar seco cuya temperatura sea de entre 0 °C y 40 °C (32 °F y 104 °F).
Los 4 indicadores LED de la batería parpadean después de liberar el gatillo (cuando la batería se está usando).	<ol style="list-style-type: none"> 1. La temperatura de la batería está por encima o por debajo del intervalo de temperatura adecuado. 	<ol style="list-style-type: none"> 1. Traslade la batería a un lugar seco cuya temperatura sea de entre 0 °C y 40 °C (32 °F y 104 °F).
2 indicadores LED de la batería parpadean después de presionar el botón del indicador de carga de la batería, y se muestra la carga actual (cuando la batería no se está usando).	<ol style="list-style-type: none"> 1. Existe una diferencia de voltaje entre las celdas de la batería. 	<ol style="list-style-type: none"> 1. Coloque la batería en el cargador hasta que esté completamente cargada.
2 indicadores LED de la batería parpadean después de liberar el gatillo (cuando la batería se está usando).	<ol style="list-style-type: none"> 1. Existe una diferencia de voltaje entre las celdas de la batería. 	<ol style="list-style-type: none"> 1. Coloque la batería en el cargador hasta que esté completamente cargada.

Problema	Posible causa	Acción correctora
1 indicador LED de la batería parpadea.	1. El voltaje de la batería es bajo.	1. Coloque la batería en el cargador.
Es difícil retirar la batería de la herramienta.	1. La batería/herramienta es nueva o hay corrosión en los terminales de la batería o los terminales de la herramienta.	1. Limpie los terminales de la batería y de la herramienta. Aplique grasa dieléctrica en los terminales de la batería; no utilice otro tipo de lubricante porque podría dañar los terminales.

La Promesa Toro – Productos eléctricos

Garantía completa de tres años¹ para el uso residencial en Estados Unidos y Canadá

The Toro Company y su afiliado, Toro Warranty Company, bajo un acuerdo entre sí, garantizan conjuntamente este producto durante tres años contra defectos de materiales o mano de obra cuando se utiliza con propósitos residenciales normales.*

¹ No incluye la batería. 1 año de garantía de la batería para el uso residencial.

Si usted cree que su producto Toro tiene un defecto de materiales o de mano de obra, si tiene alguna pregunta o algún problema, y antes de devolver este producto, llame al teléfono gratuito:

Cortasetos / Desbrozadores:

1-800-237-2654 (EE. UU.)

1-800-248-3258 (Canadá)

Motosierra:

1-855-340-7689 (EE. UU. y Canadá)

Sopladores:

1-888-367-6631 (EE. UU.)

1-888-430-1687 (Canadá)

Lanzanieves:

1-800-808-2963 (EE. UU.)

1-800-808-3072 (Canadá)

Para sustituir o reparar el producto, a nuestra discreción, devuelva la unidad completa al vendedor. Los clientes de Estados Unidos y Canadá pueden devolver su producto, con prueba de compra, a cualquier Servicio Técnico Autorizado. Los clientes de Estados Unidos también pueden devolver su producto, con prueba de compra y con portes pagados, al Toro Service Center, 5500 SE Delaware, Ankeny, IA 50021, Estados Unidos.

Esta garantía cubre defectos del producto solamente. **Ni The Toro Company ni Toro Warranty Company son responsables de daños indirectos, incidentales o consecuentes en conexión con el uso de los productos Toro cubiertos por esta garantía, incluyendo cualquier coste o gasto por la provisión de equipos de sustitución o servicio durante periodos razonables de mal funcionamiento o no utilización hasta la terminación de las reparaciones bajo esta garantía. Algunos estados no permiten exclusiones de daños incidentales o consecuentes, de manera que las exclusiones arriba citadas pueden no ser aplicables a usted.** Esta garantía le otorga a usted derechos legales específicos; es posible que usted tenga otros derechos que varían de un estado a otro.

Países fuera de Estados Unidos y Canadá

Esta garantía no es válida en México. Los clientes que compraron productos Toro exportados de los Estados Unidos o Canadá deben ponerse en contacto con su Distribuidor (Concesionario) Toro para obtener pólizas de garantía para su país, provincia o estado. Si por cualquier razón usted no está satisfecho con el servicio ofrecido por su Distribuidor, o si tiene dificultad en obtener información sobre la garantía, póngase en contacto con el importador Toro. Si fallan todos los demás recursos, puede ponerse en contacto con nosotros en la Toro Warranty Company.

Ley de Consumo de Australia

Los clientes australianos encontrarán información sobre la Ley de Consumo de Australia dentro de la caja o a través de su concesionario Toro local.

* "Uso residencial" significa el uso del producto en la misma parcela en que se encuentra su vivienda.

Número de pieza 374-0262
Rev. G



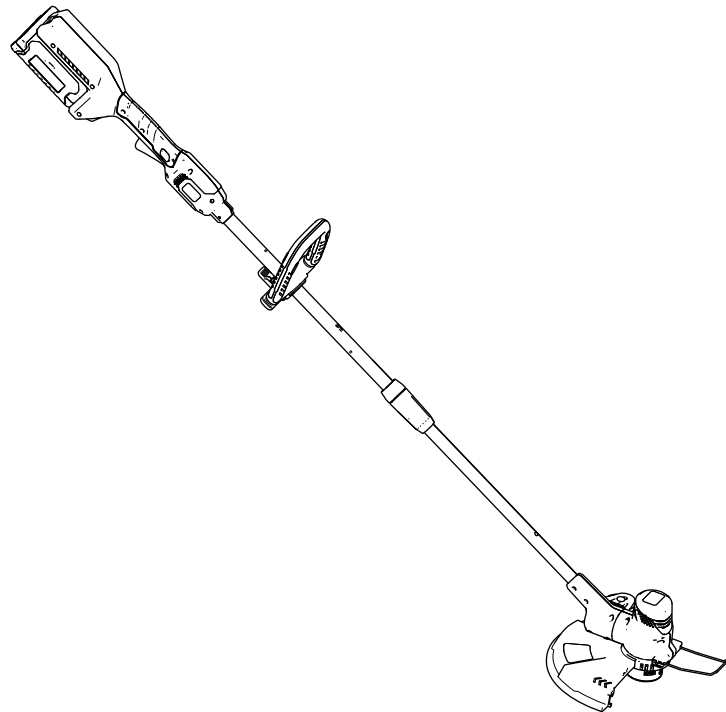
Count on it.

Manuel de l'utilisateur

**Débroussailleuse/coupe-
bordures à fil PowerPlex™
de 33 cm (13 po) 40 V MAX**

N° de modèle 51481—N° de série 317000001 et suivants

N° de modèle 51481T—N° de série 317000001 et suivants





Pour tout conseil
ou renseignement,
appelez notre numéro
vert 1-800-237-2654
(États-Unis) ou
1-800-248-3258 (Canada)
avant de renvoyer ce
produit.

▲ ATTENTION

CALIFORNIE

Proposition 65 - Avertissement

Ce produit contient une ou des substances chimiques considérées par l'état de Californie comme capables de provoquer des cancers, des anomalies congénitales ou d'autres troubles de la reproduction.

Introduction

Cette débroussailleuse est destinée au grand public, pour couper l'herbe en extérieur, selon les besoins. Elle est conçue principalement pour fonctionner avec la batterie modèle 88540 (fournie avec le modèle 51481) ou 88541.

Lisez attentivement cette notice pour apprendre comment utiliser et entretenir correctement votre produit, et éviter de l'endommager ou de vous blesser. Vous êtes responsable de l'utilisation sûre et correcte du produit.

Vous pouvez contacter Toro directement sur www.Toro.com pour tout renseignement concernant un produit ou un accessoire, pour obtenir l'adresse des dépositaires ou pour enregistrer votre produit.

Le modèle 51481T ne comprend pas de batterie ni de chargeur.

Sécurité

ATTENTION : Quand vous utilisez des outils de jardinage électriques, respectez toujours les précautions élémentaires pour réduire le risque d'incendie, de choc électrique et de blessure, y compris ce qui suit :

▲ ATTENTION

Le non respect de tous les avertissements et toutes les consignes peut entraîner des chocs électriques, un incendie et/ou des blessures graves.

Lisez toutes les mises en garde et consignes de sécurité.

Conservez précieusement toutes les mises en garde et consignes de sécurité pour référence ultérieure.

Le terme « outil électrique » utilisé dans toutes les mises en garde renvoie à votre outil électrique branché sur le secteur (câblé) ou alimenté par batterie (sans fil).

1. Sécurité sur la zone de travail

- A. **La zone de travail doit être propre et bien éclairée.** *Les endroits sombres et encombrés sont propices aux accidents.*
- B. **N'utilisez jamais d'outils électriques dans des atmosphères explosives, en présence de liquides, gaz ou poussière inflammables par exemple.** *Les outils électriques produisent des étincelles qui peuvent enflammer la poussière ou les vapeurs/émanations.*
- C. **Tenez enfants et spectateurs à distance pendant l'utilisation d'un outil électrique.** *Les distractions peuvent entraîner la perte de contrôle de l'outil.*
- D. **Évitez les environnements dangereux.** *N'utilisez pas les appareils dans des endroits humides ou mouillés.*

2. Sécurité personnelle

- A. **Restez vigilant; regardez où vous allez et faites preuve de bon sens lorsque vous utilisez un outil électrique. N'utilisez jamais un outil électrique si vous êtes fatigué ou sous l'emprise de l'alcool, de drogues ou de médicaments.** *Un seul moment d'inattention pendant l'utilisation peut entraîner de graves blessures.*
- B. **Utilisez des équipements de protection individuelle. Portez toujours une protection oculaire.** *Les équipements de protection comme les masques*

antipoussière, les chaussures de sécurité à semelle antidérapante, les casques et les protections antibruit utilisés de manière pertinente réduisent les risques de blessures.

- C. **Évitez tout démarrage accidentel. Assurez-vous que l'interrupteur marche/arrêt est en position ARRÊT avant de connecter l'outil à une source d'alimentation et/ou à la batterie, de le prendre en main ou de le transporter.** *Des accidents peuvent se produire si vous transportez un outil électrique en gardant le doigt sur l'interrupteur d'alimentation ou si vous le mettez sous tension sans avoir placé l'interrupteur en position arrêt.*
 - D. **Ne travaillez pas trop loin devant vous. Gardez toujours les pieds bien posés à terre et faites en sorte de ne pas perdre l'équilibre.** *Vous pourrez ainsi garder le contrôle de l'outil en cas d'événement inattendu.*
 - E. **Portez des vêtements adéquats. Ne portez pas de vêtements amples ni de bijoux pendants. N'approchez pas les cheveux, les vêtements et les gants des pièces en mouvement.** *Les vêtements amples, les bijoux pendants ou les cheveux longs peuvent se prendre dans les pièces mobiles.*
 - F. **N'approchez pas les pieds et les mains de la zone de coupe.**
3. **Utilisation et entretien des outils électriques**
- A. **Ne faites pas forcer l'outil électrique. Utilisez l'outil électrique correct pour la tâche à accomplir.** *Un outil électrique adapté donnera de meilleurs résultats et sera moins dangereux s'il est utilisé dans les limites prévues.*
 - B. **Ne vous servez pas de l'outil électrique si l'interrupteur marche/arrêt ne permet pas de le mettre en marche et de l'arrêter correctement.** *Un outil électrique qui ne peut pas être commandé par l'interrupteur marche/arrêt est dangereux et doit être réparé.*
 - C. **Retirez la batterie de l'outil électrique avant d'effectuer des réglages, de changer d'accessoire ou de ranger l'outil électrique.** *Ces mesures de sécurité préventives réduisent le risque de démarrage accidentel de l'outil.*
 - D. **Rangez les outils électriques non utilisés hors de portée des enfants et ne confiez leur utilisation qu'à des personnes**
- connaissant leur maniement et ayant lu ces instructions.** *Les outils électriques sont dangereux s'ils sont mis entre les mains d'utilisateurs novices.*
 - E. **Rangez les outils électriques à l'intérieur lorsqu'ils ne servent pas.** *Lorsque les outils ne sont pas utilisés, rangez-les dans un local sec en hauteur ou sous clé, hors de la portée des enfants.*
 - F. **Maintenez les outils électriques en état de marche. Vérifiez si des pièces sont mal alignées, grippées, cassées ou présentent tout autre défaut susceptible d'affecter le bon fonctionnement de l'outil électrique. S'il est endommagé, faites réparer l'outil électrique avant de l'utiliser.** *De nombreux accidents sont causés par des outils électriques en mauvais état.*
 - G. **Gardez l'appareil en bon état.** *Pour des performances optimales et afin de réduire le risque de blessure, conservez le tranchant bien affûté et propre. Suivez les instructions de graissage et de remplacement des accessoires. Gardez les poignées sèches et propres, et exemptes d'huile et de graisse.*
 - H. **Gardez les outils de coupe propres et bien affûtés.** *Des outils de coupe entretenus correctement et bien affûtés sont moins susceptibles de coincer et sont plus faciles à contrôler.*
 - I. **Utilisez l'outil électrique conformément aux instructions de cette notice et de la manière prévue pour ce type d'outil spécifique, en tenant compte des conditions de travail et de la tâche à réaliser.** *L'utilisation de l'outil électrique pour des opérations autres que celles prévues peut engendrer une situation dangereuse.*
 - J. **Les déflecteurs doivent toujours être en place et en bon état.**
 - K. **Vérifiez qu'aucune pièce n'est endommagée.** *Avant d'utiliser l'appareil, examinez soigneusement toute protection ou pièce endommagée pour déterminer si elle pourra fonctionner correctement et assurer sa fonction comme prévu. Vérifiez si des pièces mobiles sont mal alignées ou grippées, si des pièces sont cassées, mal fixées ou présentent tout autre défaut susceptible d'affecter son fonctionnement. Toute protection ou autre pièce endommagée doit être correctement réparée ou remplacée par un centre de*

service agréé, sauf indication contraire dans le présent manuel.

4. Entretien

Confiez l'entretien de votre outil électrique à un réparateur qualifié utilisant exclusivement des pièces de rechange identiques. La sécurité de votre outil électrique sera ainsi maintenue.

5. Consignes de sécurité relatives à la batterie

- A. Ne chargez pas l'outil sous la pluie ou dans un lieu humide.
- B. N'utilisez pas un outil alimenté par batterie sous la pluie.
- C. Utilisez uniquement le type et la taille de batterie(s) suivants : batterie Toro modèle 88540 ou 88541.
- D. Retirez ou débranchez la batterie avant d'effectuer un entretien, de nettoyer ou de retirer des débris de l'outil de jardinage.

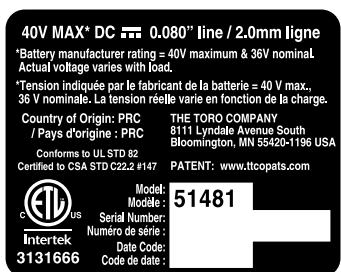
- E. Ne jetez pas les batteries au feu. L'élément pourrait exploser. Vérifiez si la réglementation locale impose des procédures de mise au rebut spéciales.
- F. N'ouvrez pas et n'endommagez pas les batteries. L'électrolyte est corrosif et peut causer des lésions oculaires et cutanées. Son ingestion peut être toxique.
- G. Manipulez les batteries avec précaution pour ne pas provoquer de court-circuit en cas de contact avec un conducteur comme des bagues, des bracelets et des clés. La batterie ou le conducteur peut surchauffer et causer des brûlures.

CONSERVEZ CES INSTRUCTIONS

Autocollants de sécurité et d'instruction



Des autocollants de sécurité et des instructions bien visibles par l'opérateur sont placés près de tous les endroits potentiellement dangereux. Remplacez tout autocollant endommagé ou manquant.



decal136-2463

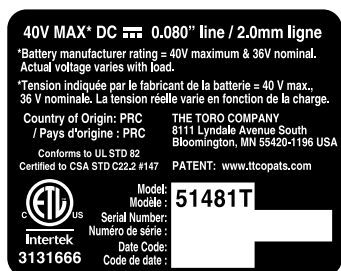
136-2463

Modèle 51481



decal136-2471

136-2471



decal136-2464

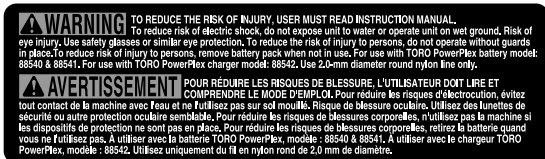
136-2464

Modèle 51481T



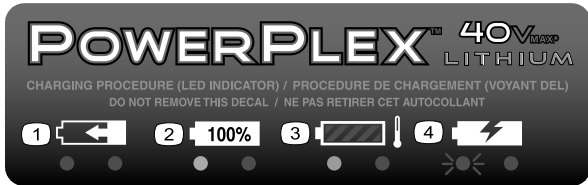
136-2473

decal136-2473



136-2474

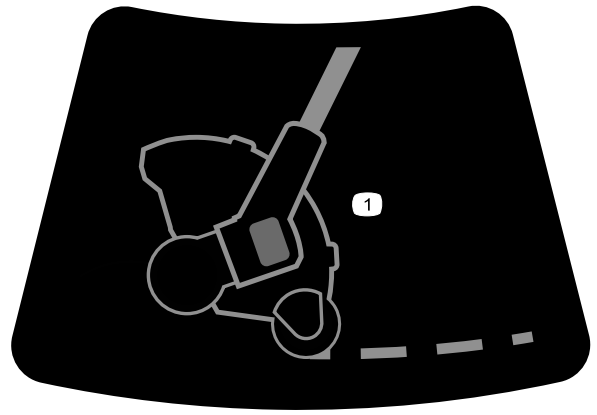
decal136-2474



136-2476

decal136-2476

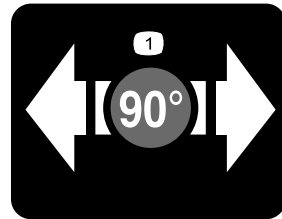
1. La batterie est en charge.
2. La batterie est complètement chargée.
3. La batterie est trop chaude.
4. Remplacez la batterie.



136-2482

decal136-2482

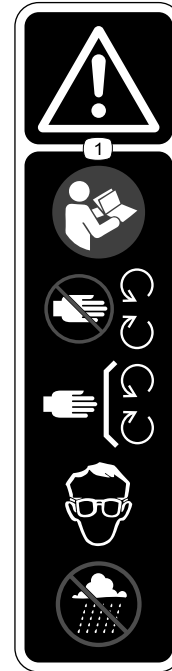
1. Débroussailleuse/coupe-bordures à fil



136-2484

decal136-2484

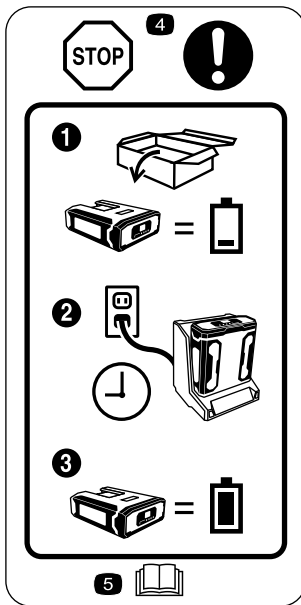
1. Appuyez pour faire pivoter.



136-2533

decal136-2533

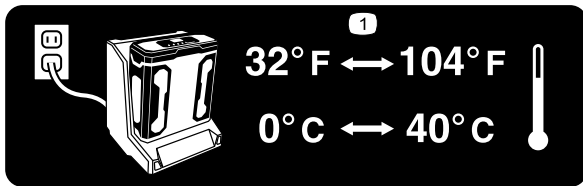
1. Attention – lisez le *manuel de l'utilisateur*; n'approchez pas des pièces en mouvement; laissez toutes les protections et capots en place; protégez-vous les yeux; n'utilisez pas l'appareil par temps humide.



decal136-2534

136-2534

1. La batterie n'est pas chargée au départ.
2. Placez la batterie dans le chargeur de batterie.
3. Attendez que la batterie soit complètement chargée avant la première utilisation.
4. Stop – suivez ces instructions avant la première utilisation.
5. Lisez le *Manuel de l'utilisateur*.



decal136-2539

136-2539

1. Chargez la batterie à une température ambiante comprise entre 0 °C et 40 °C (32 °F et 104 °F).

Mise en service

Pièces détachées

Reportez-vous au tableau ci-dessous pour vérifier si toutes les pièces ont été expédiées.

Procédure	Description	Qté	Utilisation
1	Aucune pièce requise	–	Montage du chargeur de batterie (option).
2	Aucune pièce requise	–	Dépliage du manche.
3	Poignée auxiliaire	1	Montage de la poignée auxiliaire.
4	Défecteur Vis cruciforme	1 2	Montage du déflecteur.
5	Protège-bordure métallique	1	Montage du protège-bordure.

Remarque: Quand vous l'achetez, la batterie n'est pas complètement chargée. Avant la toute première utilisation de l'outil, voir [Charge de la batterie \(page 12\)](#).

1

Montage du chargeur de batterie (option)

Aucune pièce requise

Procédure

Si vous le souhaitez, fixez le chargeur de batterie solidement à un mur à l'aide des fentes de fixation murale situées au dos.

Montez-le à l'intérieur (par exemple dans un garage ou tout autre endroit à l'abri de l'humidité), à proximité d'une prise de courant et hors de la portée des enfants.

Pour vous aider à monter le chargeur, reportez-vous à la [Figure 1](#).

Remarque: Pour fixer le chargeur en place, insérez-le et faites-le pivoter sur les fixations correctement installées (fixations non incluses).

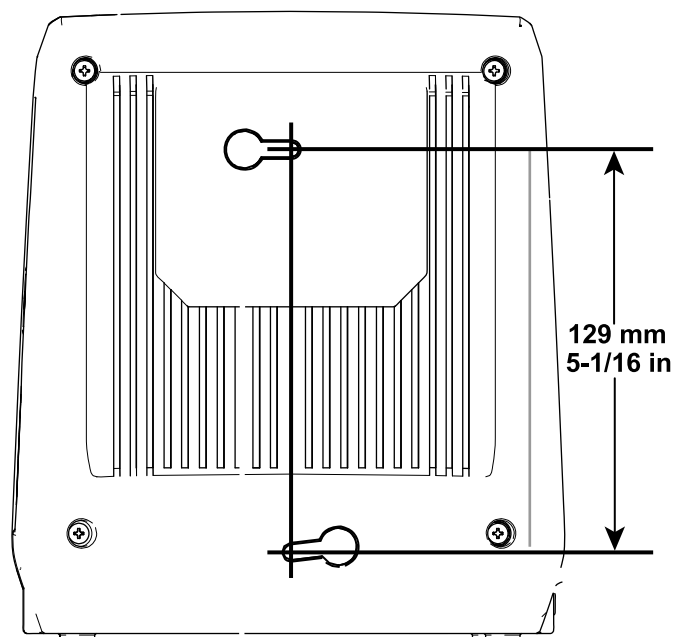


Figure 1

g194202

2

Dépliage du manche

Aucune pièce requise

Procédure

1. Dépliez le manche (encadré A de la [Figure 2](#)).
2. Enfoncez sans relâcher le bouton de verrouillage de la partie supérieure de la tige, puis placez le bouton de verrouillage en face du trou ovale sur la partie inférieure de la tige, et faites coulisser les 2 parties de la tige l'une sur l'autre. Une fois que le trou ovale sur la partie inférieure est passé par-dessus le bouton de verrouillage, relâchez le bouton et faites coulisser la partie inférieure dans la partie supérieure de la tige, jusqu'à ce que la débroussailleuse soit à la hauteur voulue (encadré B de la [Figure 2](#)).

Remarque: N'utilisez le bouton de verrouillage que pour le montage et le démontage. Vous n'avez pas besoin de vous servir du bouton pour régler le manche.

3. Serrez l'accouplement sur la partie inférieure de la tige pour bloquer le manche à la hauteur souhaitée (encadré C de la [Figure 2](#)).

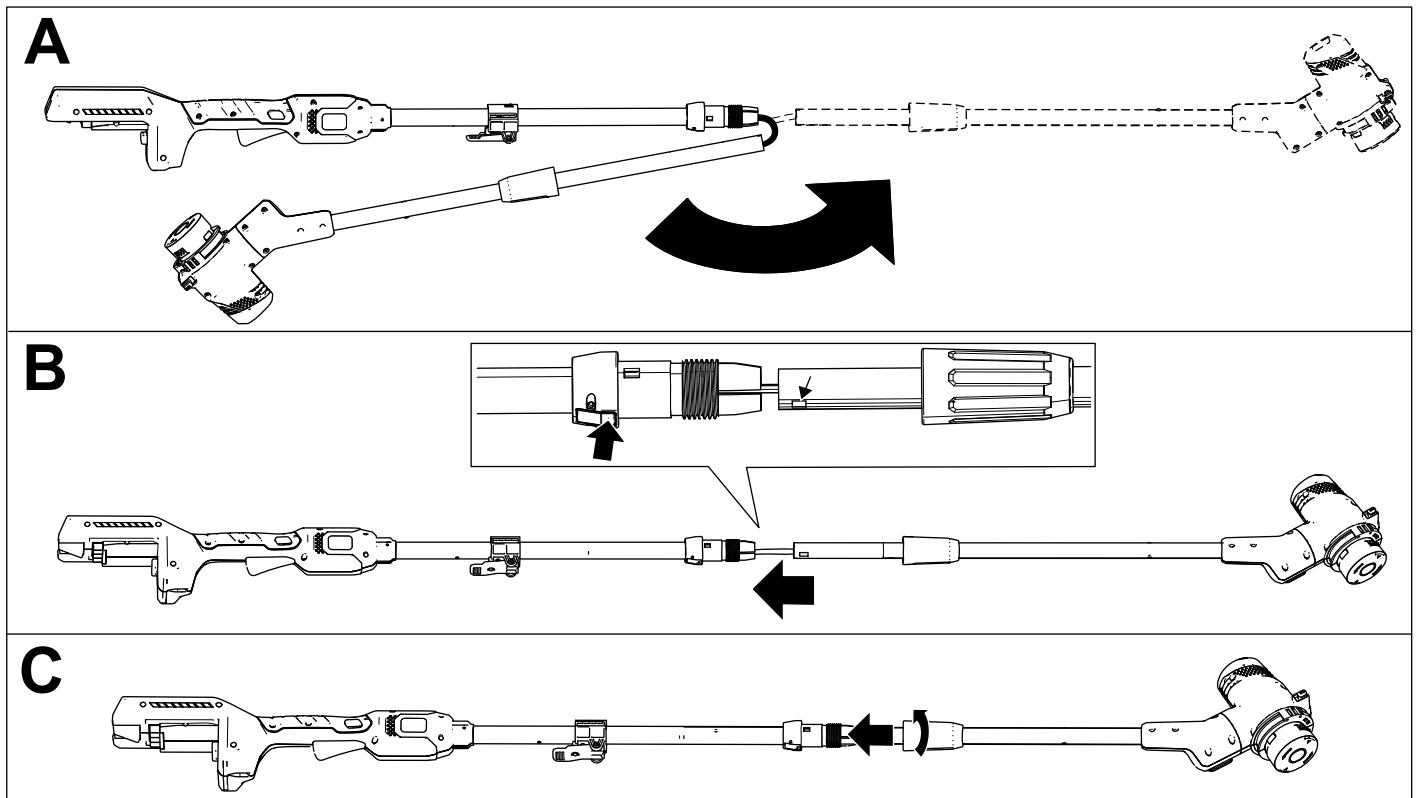


Figure 2

g195351

3

Montage de la poignée auxiliaire

Pièces nécessaires pour cette opération:

1	Poignée auxiliaire
---	--------------------

Procédure

1. Alignez le creux le long du manche sur le creux de la poignée auxiliaire et faites glisser la poignée auxiliaire vers le manche de la débroussailleuse (encadré A de la [Figure 3](#)).
2. Enclenchez la poignée fermement en place (encadré B de la [Figure 3](#)).

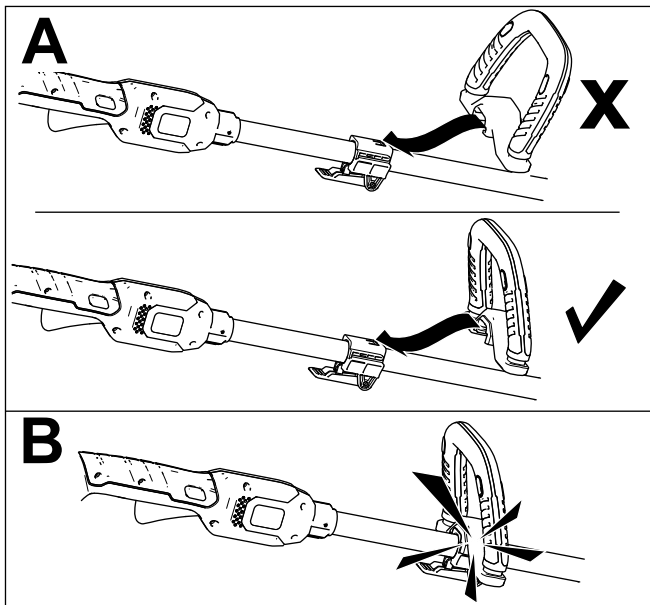


Figure 3

g195362

4

Montage du déflecteur

Pièces nécessaires pour cette opération:

1	Déflecteur
2	Vis cruciforme

Procédure

1. Retirez les 2 vis cruciformes scotchées au déflecteur et glissez le déflecteur sur la base de la débroussailleuse (encadré A de la [Figure 4](#)).
2. Fixez le déflecteur sur la base de la débroussailleuse à l'aide des 2 vis cruciformes (encadré B de la [Figure 4](#)).

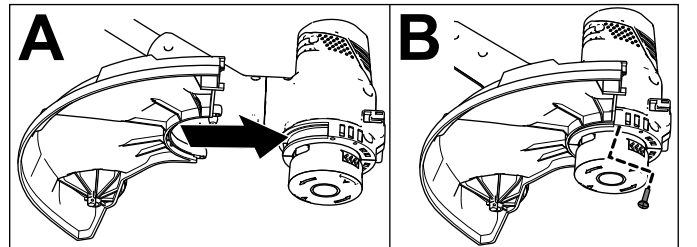


Figure 4

g203804

5

Montage du protège-bordure

Pièces nécessaires pour cette opération:

1	Protège-bordure métallique
---	----------------------------

Procédure

Écartez légèrement les extrémités du protège-bordure et insérez-les dans les trous du carter de la débroussailleuse, comme montré à la [Figure 5](#).

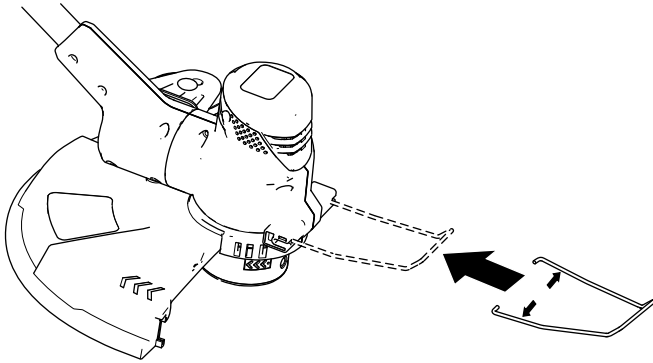


Figure 5

g203740

Vue d'ensemble du produit

Caractéristiques techniques

Plages de température adéquates

Charger la batterie entre	0 °C (32 °F) et 40 °C (104 °F)*
Utiliser les produits entre	-15 °C (5 °F) et 60 °C (140 °F)
Remiser les produits entre	-15 °C (5 °F) et 60 °C (140 °F)
Débrancher le chargeur	au-dessous de 0 °C (-32 °F) ou au-dessus de 40 °C (104 °F)

*Le temps de charge sera plus long en dehors de cette plage de température.

Rangez l'outil, la batterie et le chargeur dans un lieu fermé, propre et sec.

Utilisation

Démarrage de la débroussailleuse

1. Assurez-vous que les prises d'air de la débroussailleuse sont exemptes de toute poussière et tout débris.

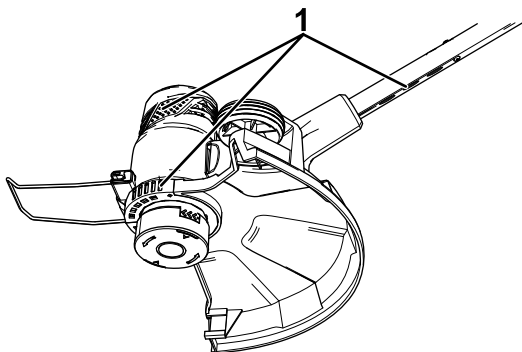


Figure 6

g194612

1. Prises d'air de la débroussailleuse

2. Alignez le creux de la batterie sur la languette du corps du manche (Figure 7).
3. Poussez la batterie dans le manche jusqu'à ce qu'elle s'enclenche dans le verrou (Figure 7).

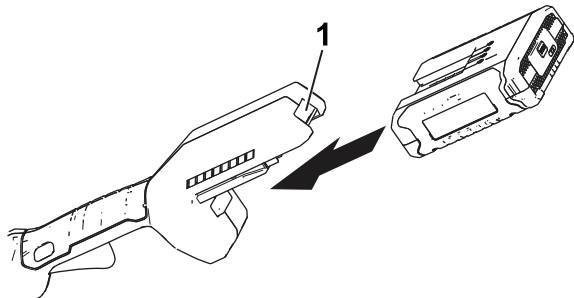


Figure 7

g189881

1. Verrou de batterie

4. Pour mettre la débroussailleuse en marche, appuyez sur le bouton de verrouillage, puis serrez la gâchette de vitesse variable (Figure 8).

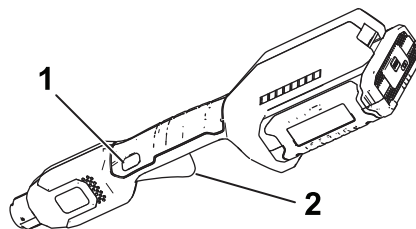


Figure 8

g189886

1. Bouton de verrouillage
2. Gâchette de vitesse variable

Arrêt de la débroussailleuse

Pour arrêter la débroussailleuse, relâchez la gâchette.

Retrait de la batterie de la débroussailleuse

Appuyez sur le verrou de batterie sur la machine afin de débloquer la batterie, et faites glisser cette dernière hors de la machine (Figure 9).

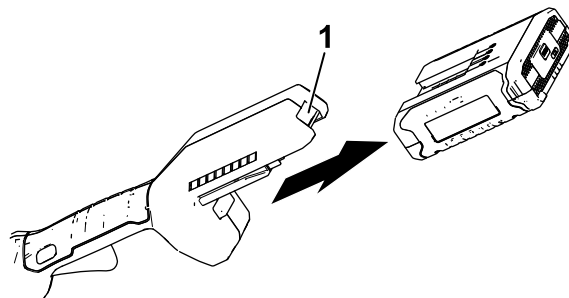


Figure 9

g192774

1. Verrou de batterie

Charge de la batterie

Important: Lisez toutes les consignes de sécurité.

Important: Chargez la batterie uniquement à des températures comprises dans la plage adéquate; voir [Caractéristiques techniques \(page 10\)](#).

Remarque: À tout moment, appuyez sur le bouton indicateur de charge de la batterie pour afficher la charge actuelle (diodes).

1. Assurez-vous que les événements de la batterie sont exempts de toute poussière et tout débris.
2. Alignez le creux de la batterie (Figure 10) sur la languette du chargeur.

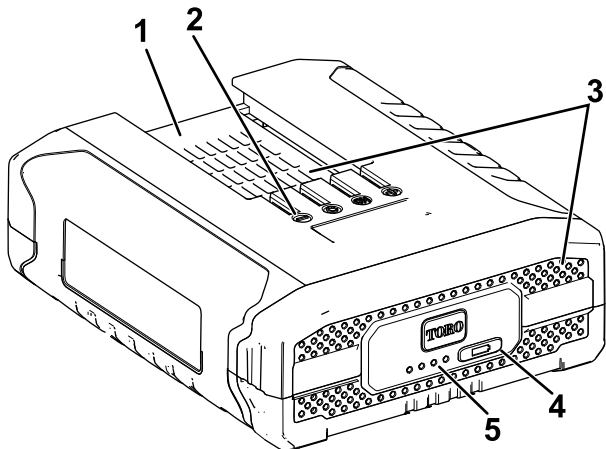


Figure 10

g192748

1. Creux de la batterie
2. Bornes de la batterie
3. Événements de la batterie
4. Bouton indicateur de charge
5. Diodes (charge actuelle)

3. Assurez-vous que les événements sur le chargeur de batterie sont exempts de toute poussière et tout débris.
4. Glissez la batterie dans le chargeur jusqu'à ce qu'elle soit bien enclenchée (Figure 11).

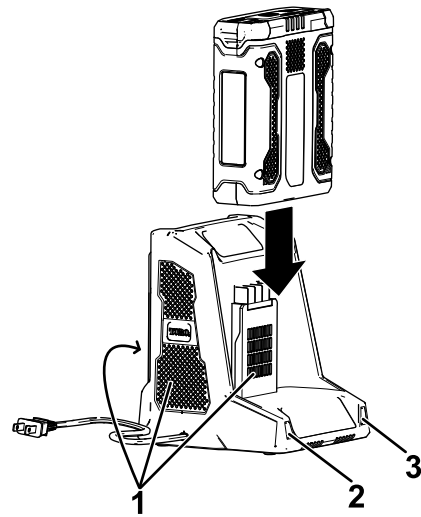


Figure 11

g194423

1. Événements du chargeur
2. Voyant gauche
3. Voyant droit

5. Pour retirer la batterie, faites-la glisser hors du chargeur.
6. Reportez-vous au tableau ci-dessous pour interpréter les indications des diodes sur le chargeur de batterie.

Voyant gauche	Voyant droit	Indique :
Éteint	Rouge	Le chargeur est en marche; aucune batterie n'est insérée
Rouge	Rouge	La batterie est en charge
Vert	Rouge	La batterie est chargée
Orange	Rouge	La batterie est trop chaude
Rouge clignotant	Rouge	Remplacez la batterie

Avance du fil

Remarque: La débroussailleuse est équipée d'une tête à avance automatique.

1. Lorsque la débroussailleuse est en marche, relâchez la poignée d'actionnement.
2. Attendez quelques secondes, puis appuyez sur le bouton de verrouillage et serrez la gâchette.

Remarque: Le fil s'allonge d'environ 6 mm (¼ po) à chaque arrêt et démarrage de la débroussailleuse, jusqu'à atteindre la longueur de la lame du déflecteur.

3. Reprenez le débroussaillage.

Avance manuelle du fil

Retirez la batterie de la débroussailleuse à fil, puis appuyez sur le bouton à la base du chapeau de fixation de la bobine tout en tirant le fil à la main pour le faire sortir.

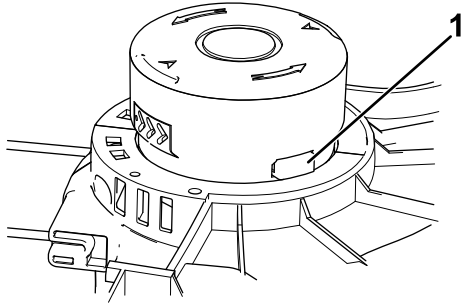


Figure 12

g203810

1. Bouton

Réglage de la hauteur du manche

1. Desserrez l'accouplement sur la partie inférieure de la tige (encadré A de la Figure 13).
2. Faites coulisser la tige télescopique jusqu'à la hauteur voulue (encadré B de la Figure 13).

Important: Ne faites pas glisser la partie supérieure de la tige sur les événements de la partie inférieure, et n'enlevez pas le tampon en caoutchouc.

3. Serrez l'accouplement pour bloquer le manche en place (encadré C de la Figure 13).

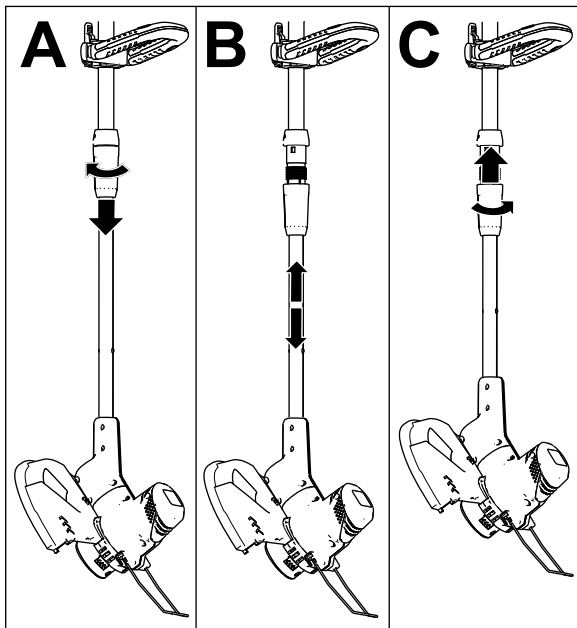


Figure 13

g203805

Réglage de la poignée auxiliaire

1. Déverrouillez le verrou de la poignée auxiliaire (encadré A de la Figure 14).
2. Élevez ou abaissez la poignée auxiliaire à la hauteur voulue (encadré B de la Figure 14).

Important: N'enlevez pas la butée en caoutchouc.

3. Refermez le verrou de la poignée auxiliaire pour la fixer en place (encadré C de la Figure 14).

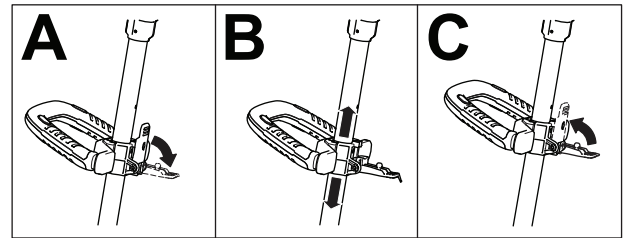


Figure 14

g189875

Tonte des bordures



Figure 15

g203806

Tonte des bordures

Pour utiliser la débroussailleuse comme coupe-bordures, procédez comme suit :

1. Appuyez sur le bouton de rotation, faites pivoter la tête à 90°, et veillez à ce qu'elle s'enclenche en position (encadré A de la [Figure 15](#)).
2. Laissez la débroussailleuse reposer sur la roue et commencez à couper les bordures (encadré B de la [Figure 15](#)).

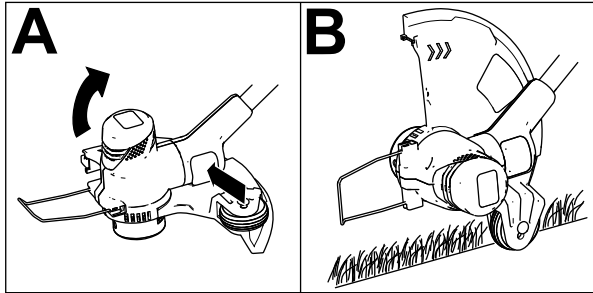


Figure 16

g203808

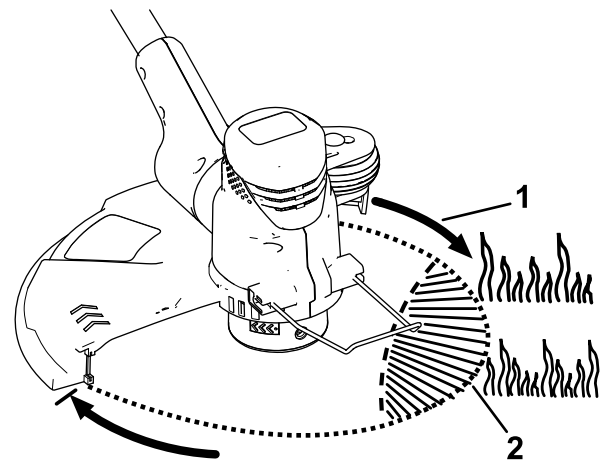


Figure 17

g203809

1. Sens de rotation

2. Trajet du fil

Conseils d'utilisation

- Gardez la débroussailleuse inclinée vers la zone à couper, la meilleure zone de coupe.
- Pour couper, déplacez la débroussailleuse à fil de gauche à droite. Cela évite la projection de débris dans votre direction.
- Utilisez l'extrémité du fil pour couper; ne forcez pas la tête de coupe dans l'herbe non coupée.
- Les câbles et clôtures peuvent accélérer l'usure du fil, voire même le casser. Les murs en pierre et en briques, les trottoirs et le bois peuvent également causer l'usure rapide du fil.
- Évitez de vous approcher des arbres et des buissons. Le fil peut facilement endommager l'écorce des arbres, les moulures en bois, les parements et les piquets.

Entretien

Après chaque utilisation de la débroussailleuse, suivez les procédures ci-après :

1. Enlevez la batterie de la débroussailleuse.
2. Essuyez la débroussailleuse avec un chiffon humide. Ne lavez pas la débroussailleuse au jet d'eau et ne la trempez pas dans l'eau.

⚠ PRUDENCE

La lame de coupe du fil sur le déflecteur est tranchante et peut vous couper.

Ne nettoyez pas le déflecteur et la lame avec les mains.

3. Essuyez ou raclez la tête de coupe si des débris se sont accumulés dessus.
4. Contrôlez et resserrez toutes les fixations. Réparez ou remplacez les pièces éventuellement endommagées ou manquantes.
5. Enlevez à la brosse les débris accumulés sur les prises d'air et l'échappement du carter du moteur pour empêcher le moteur de surchauffer.

Remplacement de la bobine

Utilisez uniquement du fil à un filament de 2 mm (0,080 po) de diamètre. Pour garantir des performances optimales, utilisez le fil de rechange Toro réf. 88545.

Important: Un fil de plus gros diamètre peut faire surchauffer le moteur et provoquer une panne.

1. Retirez la batterie.
2. Appuyez sur les languettes de chaque côté du chapeau de fixation de la bobine (Figure 17).

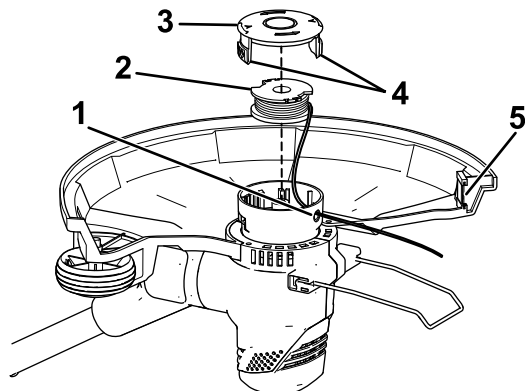


Figure 18

g203832

1. Œillet
2. Bobine
3. Chapeau de fixation de la bobine
4. Languettes
5. lame de coupe du fil

3. Tirez le chapeau de fixation de la bobine vers le haut pour le retirer et enlever la bobine.
4. Montez la bobine neuve en alignant le fil sur l'œillet de la tête de coupe. Passez le fil dans l'œillet.
5. Assurez-vous que le fil dépasse de la fente d'environ 152 mm (6 po).
6. Tirez le fil qui dépasse de la tête de coupe pour le dégager de la fente dans la bobine.
7. Remettez le chapeau de fixation en place en poussant les languettes dans les fentes et en appuyant jusqu'à ce que le chapeau s'enclenche en position.

Remplacement du fil

1. Retirez la batterie.
2. Déposez la bobine; voir [Remplacement de la bobine \(page 15\)](#).

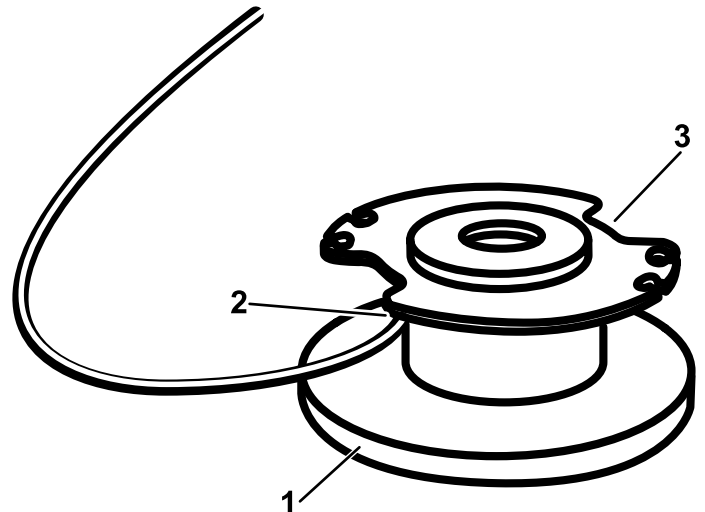


Figure 19

g203833

1. Bobine
2. Trou d'ancrage
3. Partie supérieure de la bobine

Remarque: Retirez l'ancien fil encore présent sur la bobine.

3. La bobine peut contenir environ 3,9 m (13 pi) de fil. **Utilisez uniquement du fil monofilament de 2 mm (0,080 po) de diamètre.**

Remarque: N'utilisez jamais de fil d'autre diamètre ou type car cela pourrait endommager la débroussailleuse.

4. Insérez le fil dans le trou d'ancrage (Figure 19). Enroulez le fil sur la bobine dans la direction indiquée par les flèches sur la bobine.

- Placez le fil dans la fente sur le bord supérieur de la bobine en le laissant dépasser de 152 mm (6 po).

Remarque: N'enroulez pas une longueur de fil excessive. Lorsque le fil est enroulé, un espace d'au moins 6 mm (0,25 po) doit subsister entre le fil enroulé et le bord extérieur de la bobine.

- Remettez en place la bobine et le chapeau de fixation; voir [Remplacement de la bobine \(page 15\)](#).



Pour plus de renseignements sur le recyclage des batteries lithium-ion et pour trouver le centre de recyclage de batteries le plus proche, rendez-vous sur www.Call2Recycle.org (États-Unis et Canada seulement). Hors des États-Unis et du Canada, veuillez contacter votre dépositaire Toro agréé.

Remisage

Important: Remisez l'outil, la batterie et le chargeur uniquement à des températures comprises dans la plage adéquate; voir [Caractéristiques techniques \(page 10\)](#).

Important: Si vous remisez l'outil pendant un an ou plus, retirez la batterie et chargez-la jusqu'à ce que 2 ou 3 de ses diodes deviennent bleues. Ne remisez pas une batterie à pleine charge ou complètement déchargée. Avant de réutiliser l'outil, rechargez la batterie jusqu'à ce que le voyant gauche devienne vert sur le chargeur, ou jusqu'à ce que les 4 diodes de la batterie deviennent bleues.

- Débranchez le produit de l'alimentation (autrement dit, retirez la prise de l'alimentation ou la batterie) et recherchez tout dommage éventuel après utilisation.
- Débarrassez l'appareil de tout corps étranger.
- Lorsqu'ils ne sont pas utilisés, rangez l'outil, la batterie et le chargeur de batterie hors de la portée des enfants.
- N'approchez pas l'outil, la batterie et le chargeur des agents corrosifs, tels les produits chimiques de jardinage et les sels de dégivrage.
- Pour réduire les risques de blessures graves, ne rangez pas la batterie à l'extérieur ou dans un véhicule.
- Rangez l'outil, la batterie et le chargeur dans un lieu fermé, propre et sec.

Préparation de la batterie pour le recyclage

Important: Après avoir retiré la batterie, recouvrez les bornes de ruban adhésif épais. N'essayez pas de détruire ou de démonter la batterie ni de déposer aucun de ses composants. Recyclez ou débarrassez-vous correctement des batteries au lithium-ion dans un centre de recyclage.

Dépistage des défauts

Effectuez uniquement les opérations décrites dans cette notice. Tout autre travail d'inspection, d'entretien ou de réparation doit être réalisé par un centre d'entretien agréé ou autre spécialiste qualifié si vous n'arrivez pas à résoudre le problème vous-même.

Problème	Cause possible	Mesure corrective
L'outil ne démarre pas.	<ol style="list-style-type: none"> 1. La batterie n'est pas complètement installée dans l'outil. 2. La batterie n'est pas chargée. 3. La batterie est endommagée. 4. L'outil a un problème de nature électrique. 	<ol style="list-style-type: none"> 1. Retirez et remettez la batterie en place dans l'outil, en vérifiant qu'elle est complètement insérée et enclenchée. 2. Retirez la batterie de l'outil et chargez-la. 3. Remplacez la batterie. 4. Contactez un dépositaire-réparateur agréé.
L'outil n'atteint pas sa pleine puissance.	<ol style="list-style-type: none"> 1. La capacité de charge de la batterie est trop faible. 2. Les événements sont obstrués. 	<ol style="list-style-type: none"> 1. Retirez la batterie de l'outil et chargez-la complètement. 2. Nettoyez les événements.
L'outil produit des vibrations ou des bruits excessifs.	<ol style="list-style-type: none"> 1. Des débris sont déposés sur la partie tambour de la débroussailleuse. 2. La bobine n'est pas correctement enroulée. 	<ol style="list-style-type: none"> 1. Nettoyez les débris éventuellement présents sur la partie tambour. 2. Faites avancer le fil à l'aide de la gâchette d'actionnement et/ou retirez le fil de la bobine et enroulez de nouveau la bobine.
La batterie se décharge rapidement.	<ol style="list-style-type: none"> 1. La batterie est à une température supérieure ou inférieure à la plage de températures appropriée. 	<ol style="list-style-type: none"> 1. Placez la batterie dans un endroit sec, à une température comprise entre 0 °C (32 °F) et 40 °C (104 °F).
Le chargeur de batterie est défectueux.	<ol style="list-style-type: none"> 1. Le chargeur de batterie est à une température supérieure ou inférieure à la plage de températures appropriée. 2. La prise sur laquelle le chargeur est branché n'est pas alimentée. 	<ol style="list-style-type: none"> 1. Débranchez le chargeur de batterie et placez-le dans un endroit sec, à une température comprise entre 0 °C (32 °F) et 40 °C (104 °F). 2. Adressez-vous à un électricien qualifié pour réparer la prise.
Trois diodes seulement sont allumées sur la batterie au bout de quelques secondes seulement d'utilisation, alors qu'elle est complètement chargée.	<ol style="list-style-type: none"> 1. Cela est parfaitement normal. 	<ol style="list-style-type: none"> 1. Arrêtez l'outil et appuyez sur le bouton indicateur de charge de la batterie, ou retirez la batterie de l'outil pour afficher la charge réelle.
Les 4 diodes clignotent sur la batterie après avoir appuyé sur le bouton indicateur de charge, et la charge actuelle s'affiche (quand la batterie n'est pas utilisée).	<ol style="list-style-type: none"> 1. La batterie est à une température supérieure ou inférieure à la plage de températures appropriée. 	<ol style="list-style-type: none"> 1. Placez la batterie dans un endroit sec, à une température comprise entre 0 °C (32 °F) et 40 °C (104 °F).
Les 4 diodes clignotent sur la batterie après avoir relâché la gâchette (quand la batterie est utilisée).	<ol style="list-style-type: none"> 1. La batterie est à une température supérieure ou inférieure à la plage de températures appropriée. 	<ol style="list-style-type: none"> 1. Placez la batterie dans un endroit sec, à une température comprise entre 0 °C (32 °F) et 40 °C (104 °F).
Deux diodes clignotent sur la batterie après avoir appuyé sur le bouton indicateur de charge, et la charge actuelle s'affiche (quand la batterie n'est pas utilisée).	<ol style="list-style-type: none"> 1. Il y a une différence de tension entre les éléments de la batterie. 	<ol style="list-style-type: none"> 1. Placez la batterie sur le chargeur jusqu'à ce qu'elle soit complètement chargée.
Deux diodes clignotent sur la batterie après avoir relâché la gâchette (quand la batterie est utilisée).	<ol style="list-style-type: none"> 1. Il y a une différence de tension entre les éléments de la batterie. 	<ol style="list-style-type: none"> 1. Placez la batterie sur le chargeur jusqu'à ce qu'elle soit complètement chargée.

Problème	Cause possible	Mesure corrective
Une diode clignote sur la batterie.	1. La tension de la batterie est faible.	1. Placez la batterie sur le chargeur.
Il est difficile de retirer la batterie de l'outil.	1. La batterie/l'outil sont neufs, ou les bornes de la batterie et/ou les bornes de l'outil sont corrodées.	1. Nettoyez les bornes de la batterie et de l'outil. Appliquez ensuite de la graisse diélectrique sur les bornes de la batterie; n'utilisez aucun autre type de lubrifiant au risque d'endommager les bornes.

Remarques:

La promesse de Toro – Produits électriques

Une garantie intégrale de trois ans¹ pour usage domestique valable aux États-Unis et au Canada.

The Toro Company et sa filiale, Toro Warranty Company, en vertu d'un accord mutuel, s'engagent conjointement à réparer le produit utilisé à des fins résidentielles normales s'il présente un défaut de fabrication, pendant une période de trois ans à dater de l'achat.*

¹ Ne comprend pas la batterie. 1 an de garantie sur la batterie pour usage résidentiel.

Si vous pensez que votre produit Toro présente un vice de matériau ou de fabrication, si vous avez besoins de conseils ou de renseignements, et avant de renvoyer ce produit, appelez gratuitement le numéro suivant :

Taille-haies/débrous-sailleuses :	Tronçonneuse :	Souffleurs :	Souffleuses à neige :
1-800-237-2654 (États-Unis)	1-855-340-7689 (États-Unis et Canada)	1-888-367-6631 (États-Unis)	1-800-808-2963 (États-Unis)
1-800-248-3258 (Canada)		1-888-430-1687 (Canada)	1-800-808-3072 (Canada)

Pour recevoir un appareil de rechange ou réparé, suivant notre choix, renvoyez l'appareil au complet au vendeur. Aux États-Unis et au Canada, le produit peut être renvoyé, accompagné d'une preuve d'achat, à n'importe quel dépositaire-réparateur agréé. Les clients américains peuvent aussi renvoyer leur produit, accompagné d'une preuve d'achat, port payé, à : Toro Service Center, 5500 SE Delaware, Ankeny, IA 50021, États-Unis.

Cette garantie couvre les défauts de produit uniquement. **The Toro Company et Toro Warranty Company déclinent toute responsabilité en cas de dommages secondaires ou indirects liés à l'utilisation des produits Toro couverts par cette garantie, notamment quant aux coûts et dépenses encourus pour se procurer un équipement ou un service de substitution durant une période raisonnable pour cause de défaillance ou d'indisponibilité en attendant la réparation sous garantie. L'exclusion de la garantie des dommages secondaires ou indirects n'est pas autorisée dans certains états ou pays, et peut donc ne pas s'appliquer dans votre cas.** Cette garantie vous accorde des droits spécifiques, auxquels peuvent s'ajouter d'autres droits qui varient selon les états.

Autres pays que les États-Unis et le Canada

Cette garantie n'est pas valide au Mexique. Pour les produits Toro exportés des États-Unis ou du Canada, demandez à votre distributeur (dépositaire) Toro la police de garantie applicable dans votre pays, région ou état. Si, pour une raison quelconque, vous n'êtes pas satisfait des services de votre distributeur, ou si vous avez du mal à vous procurer des renseignements concernant la garantie, adressez-vous à l'importateur Toro. En dernier recours, adressez-vous à Toro Warranty Company.

Droits des consommateurs australiens

Les clients australiens trouveront les détails relatifs aux droits des consommateurs australiens à l'intérieur du carton ou auprès de leur dépositaire Toro local.

* L'usage résidentiel désigne l'utilisation du produit sur le terrain où se trouve votre domicile.

Réf. 374-0262 Rév. G