



**Count on it.**

**Parts Catalog**

**Workman® GTX**

**Electric Utility Vehicle with Bench Seat**

Model No. 07153—Serial No. 402590001 and Up



# Ordering Replacement Parts

To order replacement parts, please supply the part number, the quantity, and the description of each part desired.

## Understanding Reference Numbers

Each identified part in an illustration has a reference number. The reference number for a part also appears in the parts list, along with other information about the part.

This catalog uses two special reference number formats, one to indicate parts in a service assembly and another to indicate the quantity of a given part in an illustration.

## Service Assembly Reference Numbers

Parts in service assemblies have reference numbers in the form a:b. The a represents the reference number of the entire service assembly and the b represents a sequential number unique to each part within the service assembly.

For example, a wheel assembly might be identified by reference number 6, the tire by 6:1, the valve by 6:2, and the wheel by 6:3. When you order the assembly identified by reference number 6, you receive all parts identified by reference numbers 6:1, 6:2, and 6:3. However, you may also order any part individually. Reference numbers of this type appear in illustration and in parts lists.

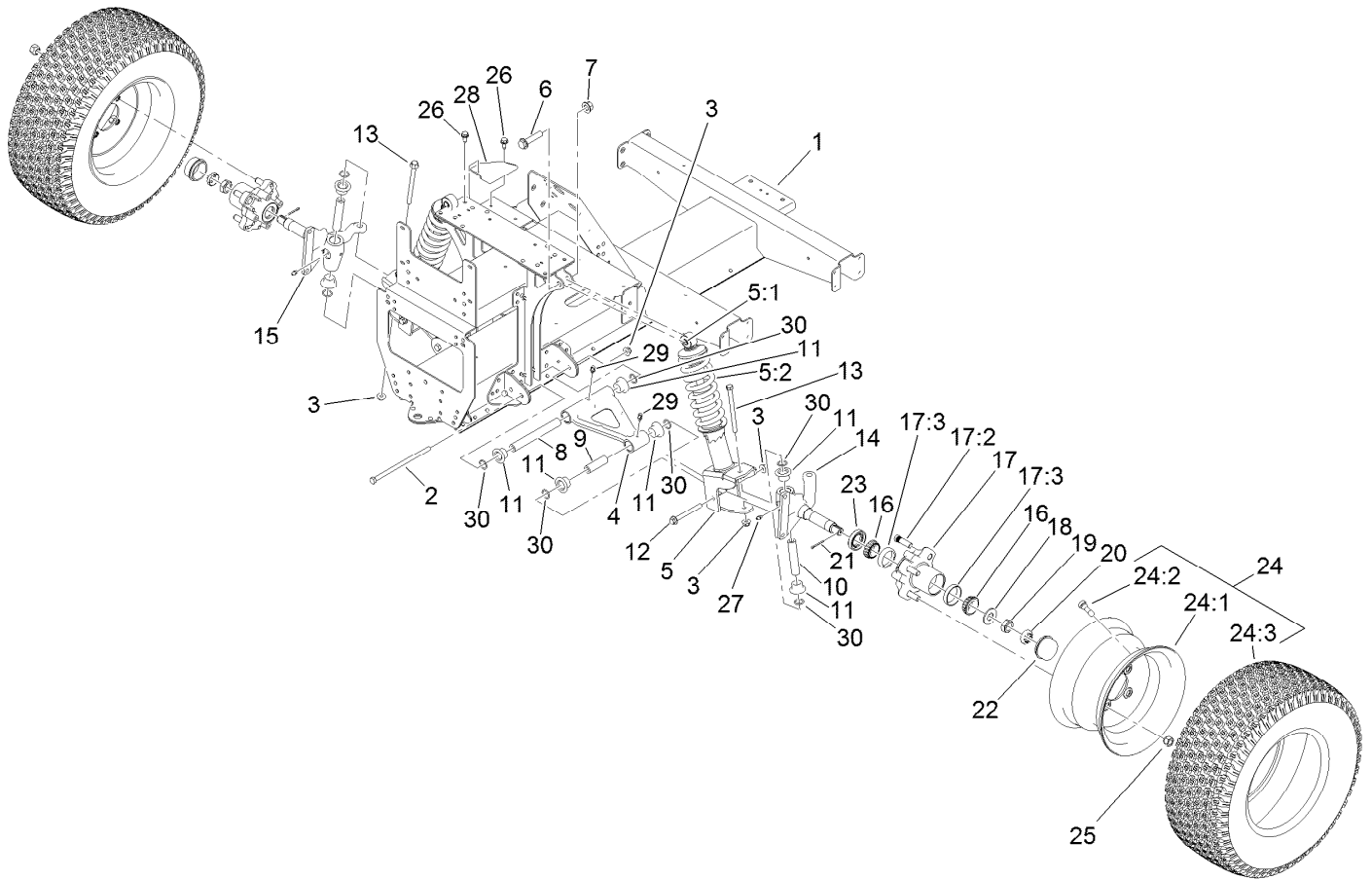
## Reference Numbers Indicating Quantity

In an illustration, if a reference number indicates more than one part, the reference number has the form nX y. The n represents the quantity of the part, the X is the multiplication symbol, and the y represents the reference number.

For example, in an illustration, the reference number 2X 37 means that two of the parts identified by reference number 37 are indicated.

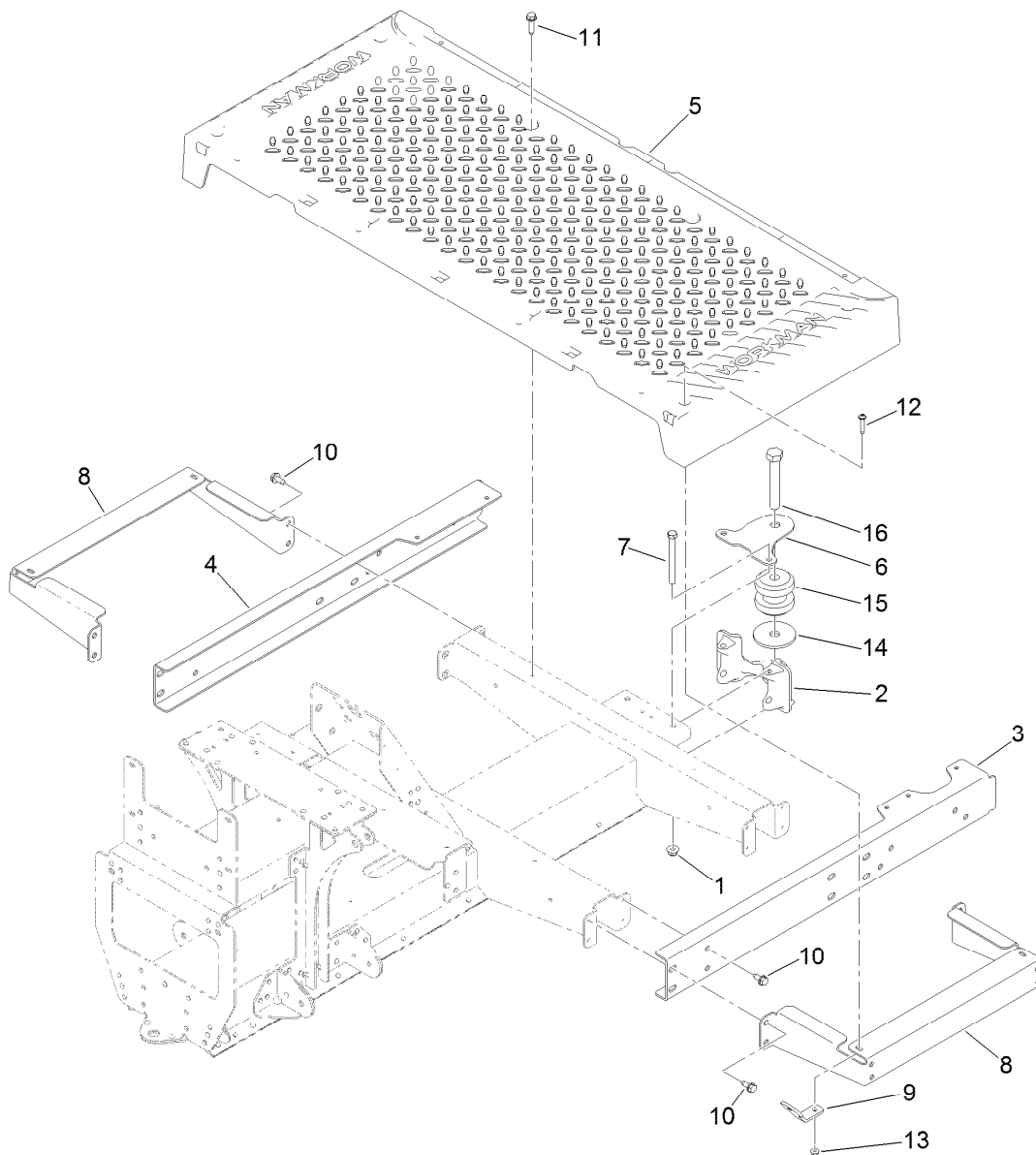
# Contents

Front Frame and Suspension Assembly . . . . .	4
Floor Plate and Rear Suspension Mount Assembly . . . . .	5
Rear Frame and Suspension Assembly . . . . .	6
Frame Mount and Rear Shock/Spring Assembly . . . . .	7
Brake Assembly . . . . .	8
Master Cylinder Assembly No. 104-6782 . . . . .	9
Brake Caliper Assembly No. 127-7424 . . . . .	10
Steering Assembly . . . . .	11
Pedal and Control Assembly . . . . .	12
Hood and Fender Assembly . . . . .	13
Dash Assembly . . . . .	14
Seatbase Assembly . . . . .	15
Cargo Bed Assembly . . . . .	16
Cargo Bed and Tailgate Assembly No. 131-8592 . . . . .	17
Battery Assembly . . . . .	18
Rear Axle and Motor Assembly . . . . .	19
Transaxle Assembly No. 136-6340 . . . . .	20
Electric Motor Assembly No. 137-6936 . . . . .	21
Controller Assembly . . . . .	22
Sevcon Controller Assembly No. 137-9898 . . . . .	24
Onboard Charger Assembly No. 131-8490 . . . . .	25
Accelerator Pedal and Key Switch Assembly . . . . .	26
Attachments and Accessories . . . . .	27



## Front Frame and Suspension Assembly

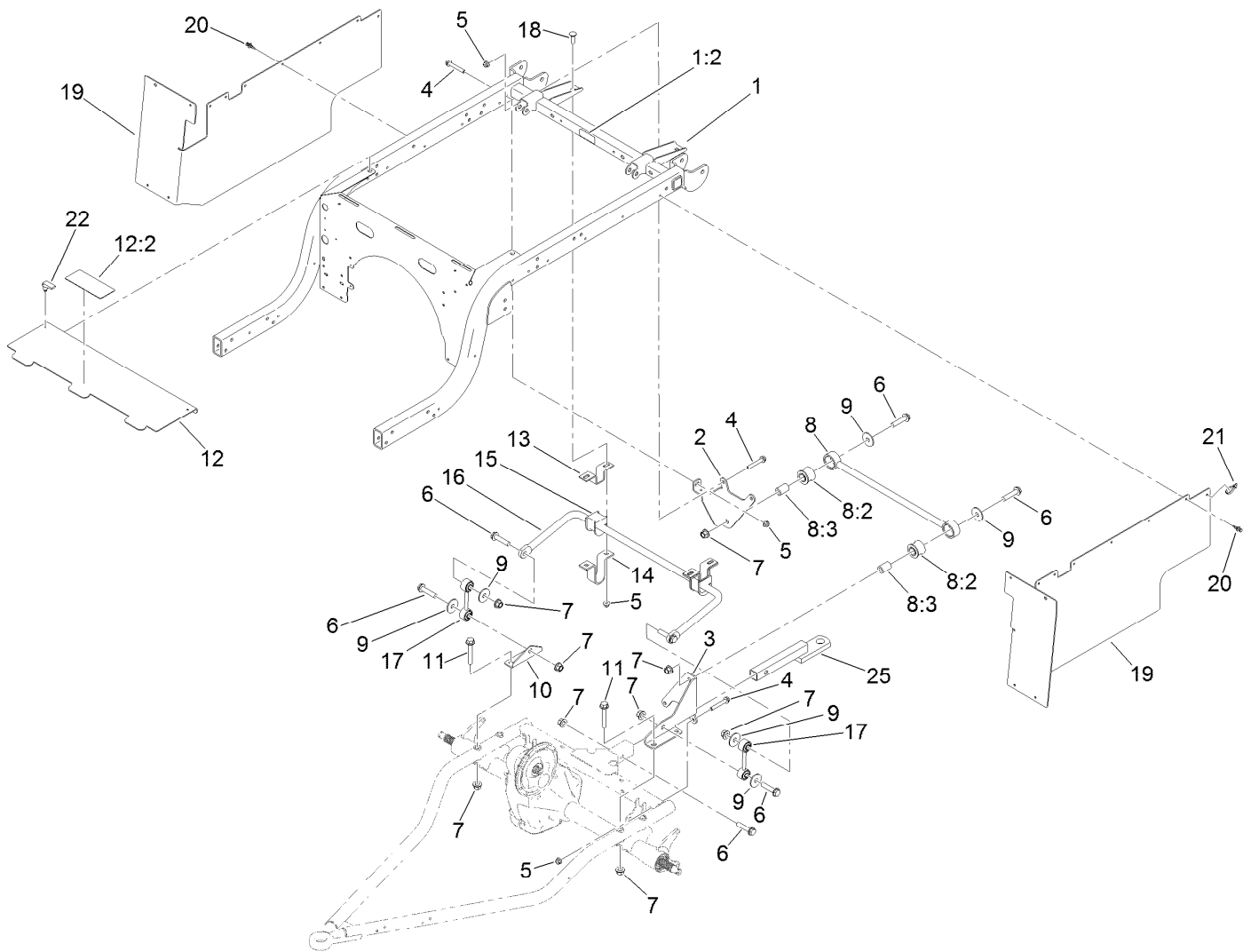
Ref.	Part Number	Qty.	Description	Ref.	Part Number	Qty.	Description
1	127-7718-03	1	Frame-Front	17:2	10-6830	4	Stud-Type, Drive
2	131-8572	2	Screw-HF	17:3	254-72	2	Bearing-Cup, Tapered
3	104-8301	6	Nut-HF, NI	18	93-0309	2	Washer-Tab
4	131-8345	2	A-Arm	19	3220-7	2	Nut-Jam
5	137-6716	2	Strut ASM (250 Lb)	20	93-0307	2	Nut-Lock, Retainer
5:1	131-8574	1	Isolator-Shock	21	3272-12	2	Pin-Cotter
5:2	137-6719	1	Spring-Compression, 250Lb	22	241-119	2	Cap-Dust
6	3234-46	2	Screw-HHF	23	112-1690	2	Seal-Oil
7	99-5107	2	Nut-Lock	24	139-4495	2	Wheel And Tire ASM
8	131-8581	2	Sleeve-Control Arm, Inner	24:1	131-8317	1	Wheel
9	131-8583	2	Sleeve-Control Arm, Outer	24:2	232-27	1	Stem-Valve
10	131-8582	2	Sleeve-Kingpin	24:3	139-4475	1	Tire-20 X 8.00-10
11	133-0643	12	Bushing-Flange, O-Ring	25	242-50	8	Nut-Lug
12	116-4701	2	Screw-HHF	26	32144-70	2	Screw-HWHTF
13	131-8571	2	Screw-HF	27	302-5	2	Fitting-Grease
14	127-8825-03	1	Spindle-LH	28	131-8339-03	1	Reinforcement-Tower
15	127-8826-03	1	Spindle-RH	29	302-40	4	Fitting-Grease, 90 DEG
16	254-94	4	Bearing-Cone, Tapered	30	237-54	12	O-Ring
17	127-8851	2	Front Hub ASM				



## Floor Plate and Rear Suspension Mount Assembly

Ref.	Part Number	Qty.	Description
1	104-8301	2	Nut-HF, NI
2	131-8466	1	Mount-Suspension, Rear
3	127-7820-03	1	Channel-Frame, Front (LH)
4	127-7821-03	1	Channel-Frame, Front (RH)
5	127-7829	1	Plate-Floor
6	131-8597	1	Plate-Gimbal, Upper
7	323-42	2	Screw-HH
8	127-7837-03	2	Bracket-Support, Floor Plate

Ref.	Part Number	Qty.	Description
9	127-7832	2	Bracket-Angle
10	32144-70	16	Screw-HWHTF
11	32144-49	4	Screw-HWHTF
12	132-6777	4	Screw-TTH
13	104-7201	4	Nut-HF
14	110-4549	1	Washer-Snubbing
15	131-8480	1	Isolator
16	104-5877	1	Screw-HH



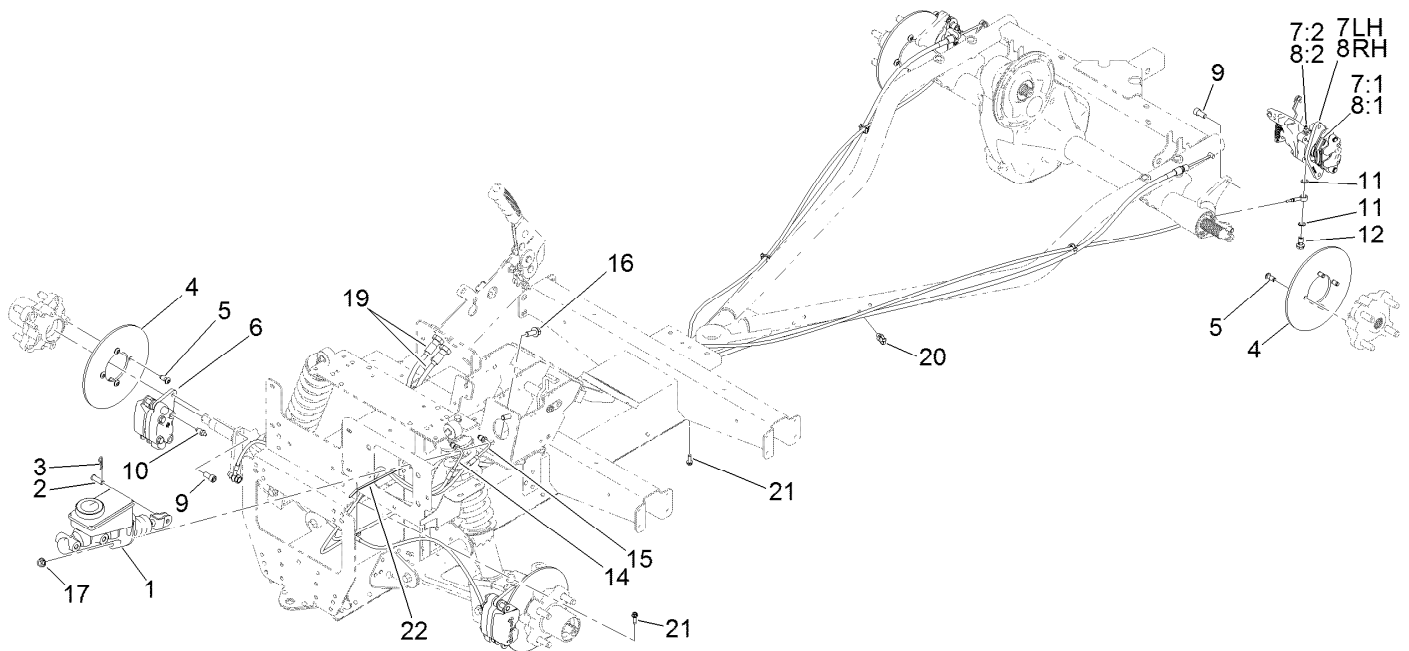
## Rear Frame and Suspension Assembly

<i>Ref.</i>	<i>Part Number</i>	<i>Qty.</i>	<i>Description</i>	<i>Ref.</i>	<i>Part Number</i>	<i>Qty.</i>	<i>Description</i>
1	131-8594	1	Rear Frame ASM	11	3234-40	4	Screw-HF
1:2	115-2047	1	Decal-Surface, Hot	12	131-8595	1	Panel-Cover
2	127-7412-03	1	Bracket-Bar, Stabilizer	12:2	99-7345	1	Decal-Warning
3	127-7411-03	1	Bracket-Bar, Stabilizer	13	87-3890-03	2	Bracket-Bar, Sway
4	3234-39	5	Screw-HHF	14	87-4010-03	2	Clamp-Bar, Sway
5	104-8301	9	Nut-HF, NI	15	87-3910	2	Bushing-Rubber
6	3234-46	7	Screw-HHF	16	131-8310-03	1	Bar-Sway, Anti
7	99-5107	11	Nut-Lock	17	131-8394	2	Link-Bar, Sway
8	109-5013	1	Panhard Rod ASM	18	3231-25	4	Bolt-CARR
8:2	109-5009	2	Bushing-Suspension, Rubber	19	131-8346	2	Panel-Side
8:3	109-5010	2	Spacer	20	125-9622	20	Rivet-Blind
9	86-1990	6	Washer-Thrust	21	3290-378	2	Tie-Cable
10	131-8315	1	Bracket-Link, Sway Bar	22	74-5950	2	Latch-Swell
				25	137-6741	1	Ball Mount ASM



## Frame Mount and Rear Shock/Spring Assembly

<i>Ref.</i>	<i>Part Number</i>	<i>Qty.</i>	<i>Description</i>
1	3234-39	8	Screw-HHF
2	104-8301	8	Nut-HF, NI
3	3234-46	4	Screw-HHF
4	99-5107	4	Nut-Lock
5	131-3455	2	Shock/Spring ASM
5:1	131-8574	2	Isolator-Shock



## Brake Assembly

Ref.	Part Number	Qty.	Description	Ref.	Part Number	Qty.	Description
1	104-6782	1	Master Cylinder ASM	8:3	136-6328	2	Spring-Rattle, Anti ●
2	283-2	1	Pin-Clevis	9	131-8573	8	Screw-HSH
3	1-806003	1	Pin-Cotter	10	119-9509	2	Screw-Bleed
4	136-6295	4	Rotor-Brake	11	115-2341	8	Washer-Banjo
5	121-9671	16	Screw-HSBH	12	120-4875	4	Bolt-Flange, Banjo
6	127-7424	2	Brake Caliper ASM	14	127-7781	1	Brake Line-Front
7	131-8313	1	Caliper-Rear, LH	15	127-7782	1	Brake Line-Rear
7:1	131-8518	1	Pad Kit (Set Of 4)	16	3234-11	2	Screw-HHF
7:2	119-9509	1	Screw-Bleed	17	3290-357	2	Nut-HHF, Whiz
7:3	136-6328	2	Spring-Rattle, Anti ●	19	131-8406	2	Cable-Park Brake
8	131-8314	1	Caliper-Rear, RH	20	32180-030	4	Clip-Tie
8:1	131-8518	1	Pad Kit (Set Of 4)	21	49-2040	2	Screw-HWHTF
8:2	119-9509	1	Screw-Bleed	22	3290-378	1	Tie-Cable

● Not illustrated





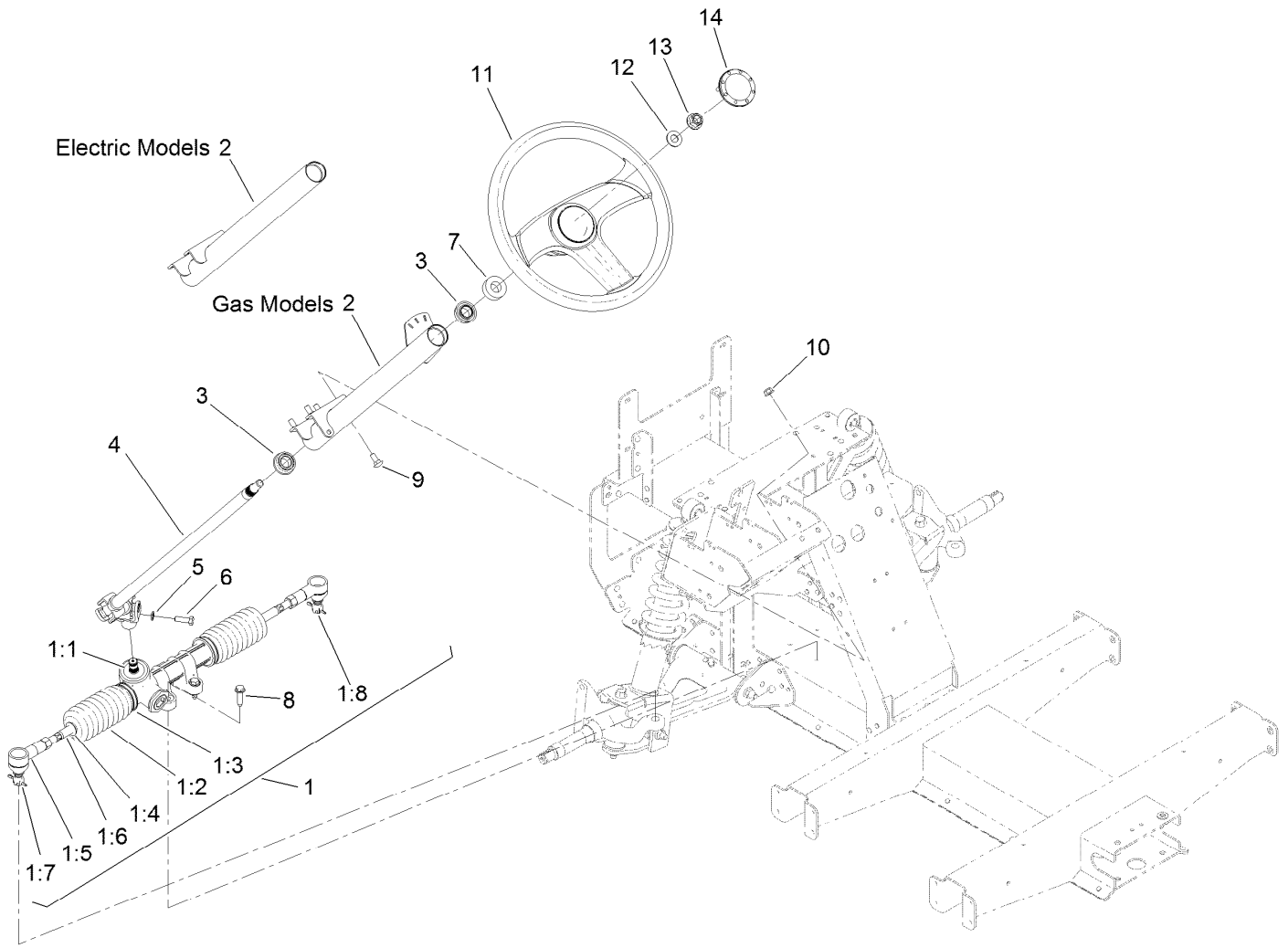
## Master Cylinder Assembly No. 104-6782

Ref.	Part Number	Qty.	Description
1	104-6845	1	Reservoir ASM
1:1	92-4112	1	Cap ASM
2	93-8971	2	Seal-Port, Flange
3	92-4103	1	Pin-Stop
4	92-4102	1	Secondary Piston ASM
5	92-4110	1	Clevis
6	21-0360	1	Nut-Hex
7	94-5209	1	Cover-Dust
8	94-5210	1	Rod-Push
9	92-4109	1	Ring-Snap
10	92-4108	1	Retainer-Washer
11	92-4101	1	Primary Piston ASM



## Brake Caliper Assembly No. 127-7424

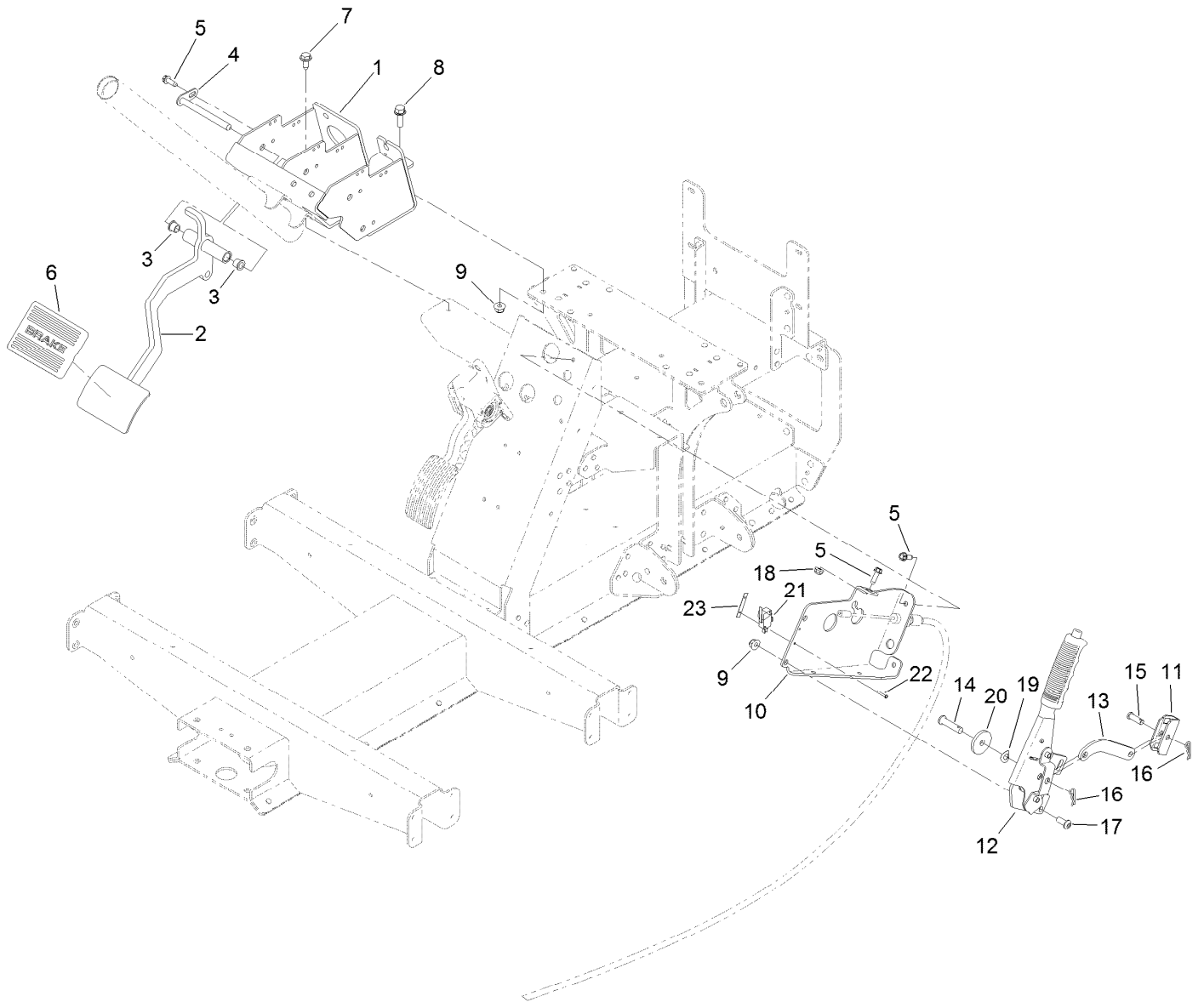
<i>Ref.</i>	<i>Part Number</i>	<i>Qty.</i>	<i>Description</i>
1	119-9510	1	Pads-Brake
2	119-9511	1	Bracket Kit
3	133-0614	1	Piston Kit



## Steering Assembly

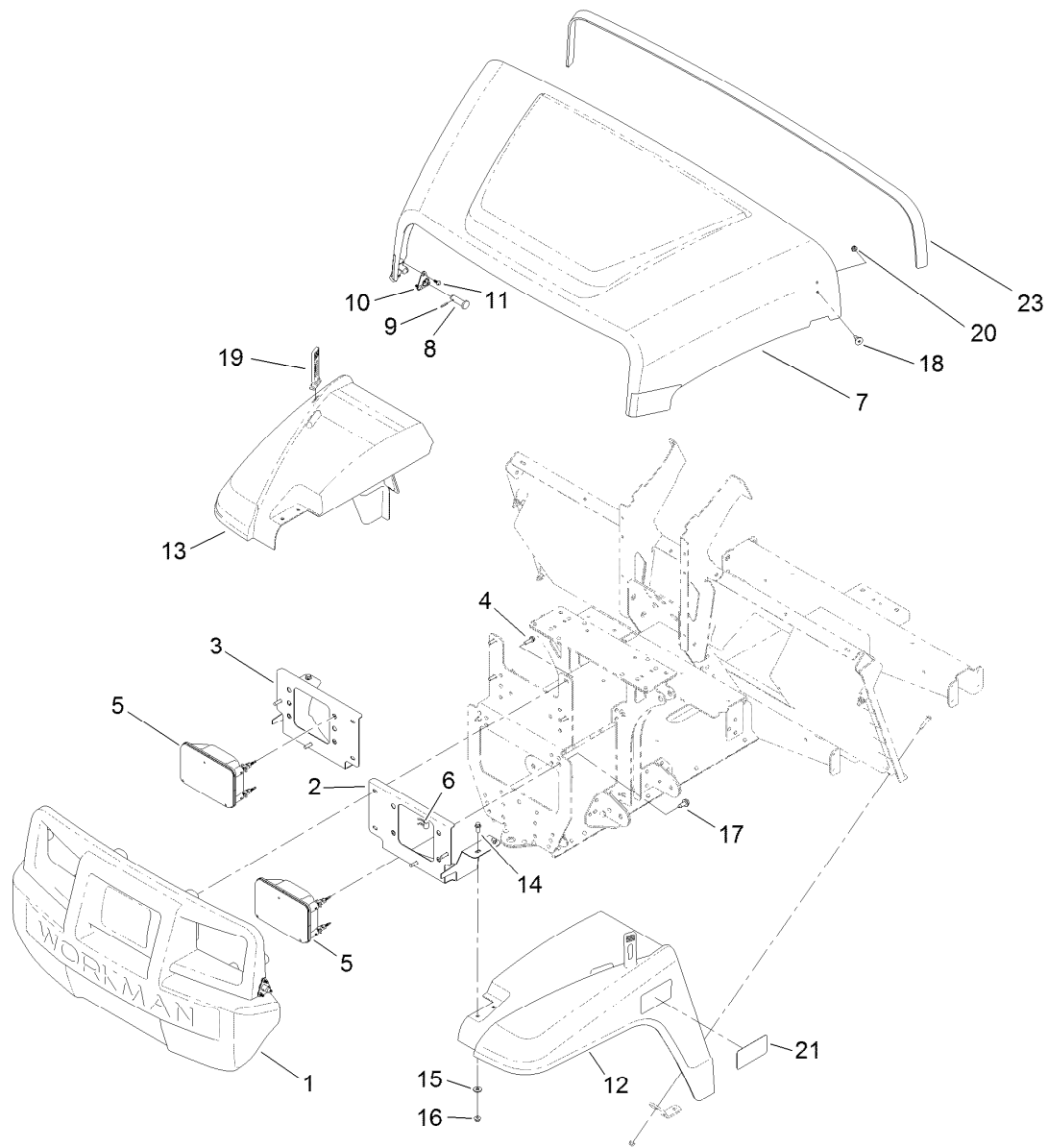
<i>Ref.</i>	<i>Part Number</i>	<i>Qty.</i>	<i>Description</i>
1	127-8797	1	Steering Rack ASM
1:1	133-0607	1	Seal-Shaft
1:2	133-0606	2	Bellows
1:3	133-0605	2	Clamp-Bellows, Inner
1:4	133-0604	2	Clamp-Bellows, Outer
1:5	133-0602	2	End-Rod, Track
1:6	133-0601	2	Rod-Tie, Track
1:7	3272-42	2	Pin-Cotter
1:8	137-9891	2	Nut-Slotted, Ball Joint
2	131-8513-03	1	Steering Column ASM
3	112-3262	2	Bearing

<i>Ref.</i>	<i>Part Number</i>	<i>Qty.</i>	<i>Description</i>
4	127-8804	1	Shaft-Steering
5	3253-4	1	Washer-Lock
6	116-3515	1	Screw-HH, Special
7	21-9260	1	Cover-Dust
8	32144-49	4	Screw-HWHTF
9	3230-1	4	Bolt-CARR
10	104-8300	4	Nut-HF, NI
11	131-0957	1	Wheel-Steering
12	3256-26	1	Washer-Flat
13	99-5107	1	Nut-Lock
14	131-3630	1	Cap-Wheel, Steering



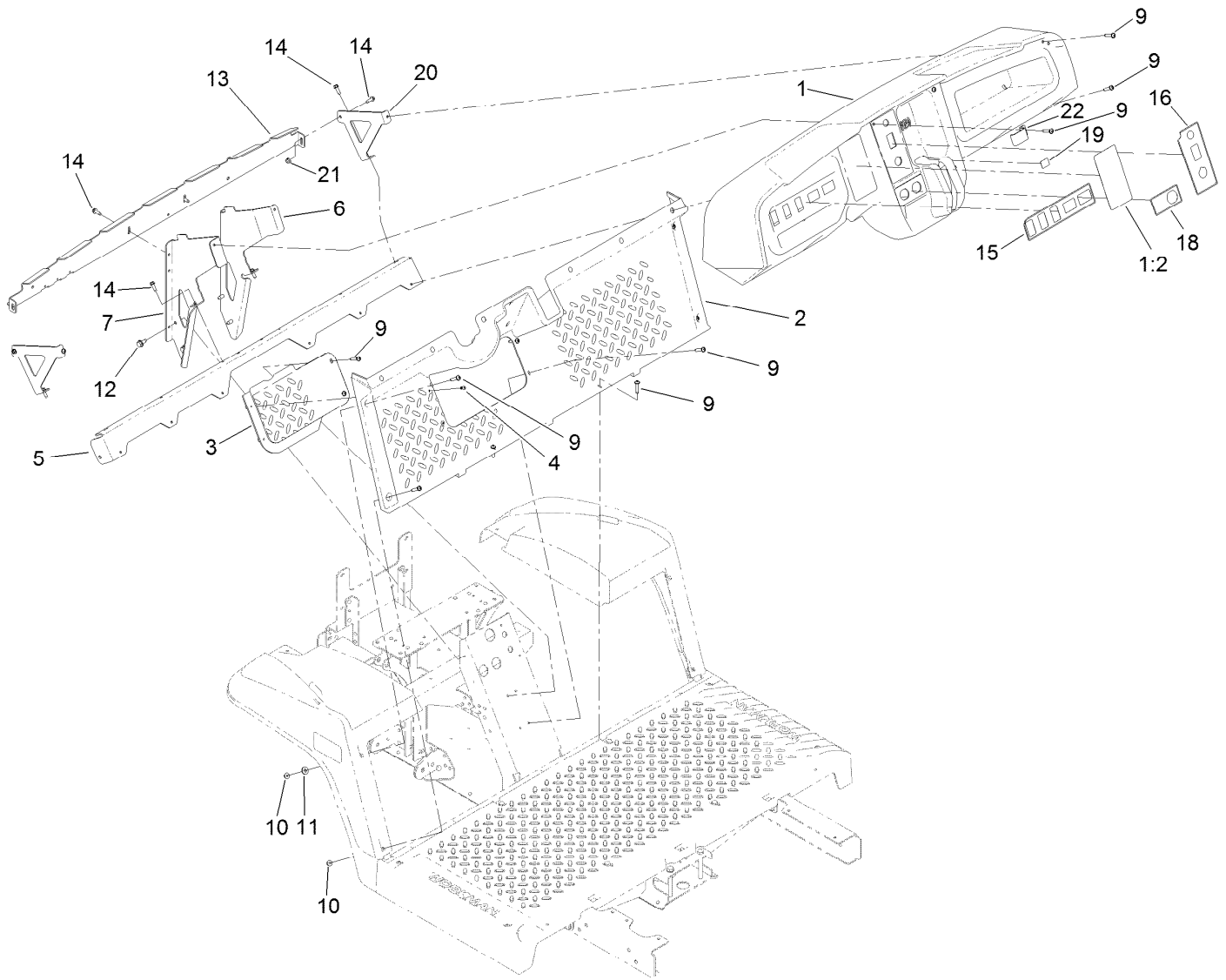
## Pedal and Control Assembly

<i>Ref.</i>	<i>Part Number</i>	<i>Qty.</i>	<i>Description</i>	<i>Ref.</i>	<i>Part Number</i>	<i>Qty.</i>	<i>Description</i>
1	127-8817-03	1	Mount-Pedal	13	127-8836-03	1	Link-Brake, Park
2	127-8818-03	1	Pedal-Brake	14	283-10	1	Pin-Clevis
3	256-116	2	Bushing-Flange	15	1-808280	1	Pin-Clevis
4	131-8459	1	Shaft-Pivot	16	1-806003	2	Pin-Cotter
5	49-2040	4	Screw-HWHTF	17	3274-55	2	Screw-HSBH
6	7-3900	1	Pad-Brake	18	104-7201	1	Nut-HF
7	32144-70	2	Screw-HWHTF	19	121-4605	1	Washer-Spring
8	3234-29	1	Screw-HHF	20	131-8496	1	Washer-Plain
9	104-8300	3	Nut-HF, NI	21	108-6496	1	Switch (W/Boot)
10	127-8834-03	1	Mount-Brake, Park	22	3290-313	2	Screw-SPH
11	87-3480	1	Bracket-Equalizer, Cable	23	3290-354	1	Nut-Speed
12	131-8320	1	Lever-Brake, Park				



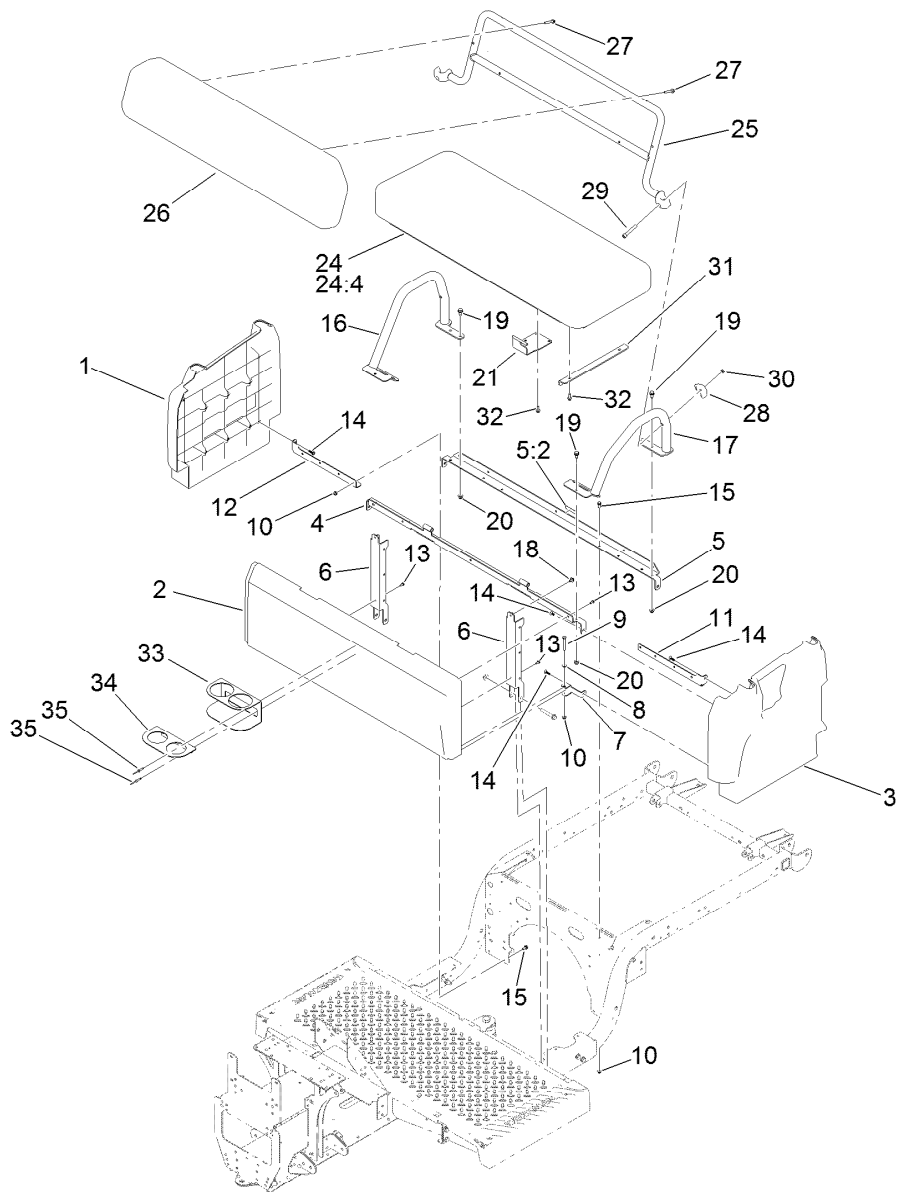
## Hood and Fender Assembly

<i>Ref.</i>	<i>Part Number</i>	<i>Qty.</i>	<i>Description</i>	<i>Ref.</i>	<i>Part Number</i>	<i>Qty.</i>	<i>Description</i>
1	132-8530	1	Bumper	12	127-7771	1	Fender-Front, LH
2	131-8455-03	1	Bracket-Headlight, LH	13	127-7772	1	Fender-Front, RH
3	131-8456-03	1	Bracket-Headlight, RH	14	3234-33	4	Screw-HHF
4	46-8091	8	Screw-HWH	15	3256-2	4	Washer-Flat
5	138-9260	2	Headlight ASM	16	104-7201	4	Nut-HF
6	115-2408	6	Clip-Speed	17	32144-70	2	Screw-HWHTF
7	136-6281	1	Hood	18	125-1122	2	Screw
8	117-5094	2	Pin-Clevis	19	131-8402	2	Strap-Hold Down
9	32121-50	2	Pin-Spring	20	3296-56	2	Nut-Lock, NI
10	112-3308	2	Retainer-Pin	21	131-8516	2	Decal-Fender
11	121-9605	6	Screw-HWH	23	133-7210	1	Seal-Trim, Hood



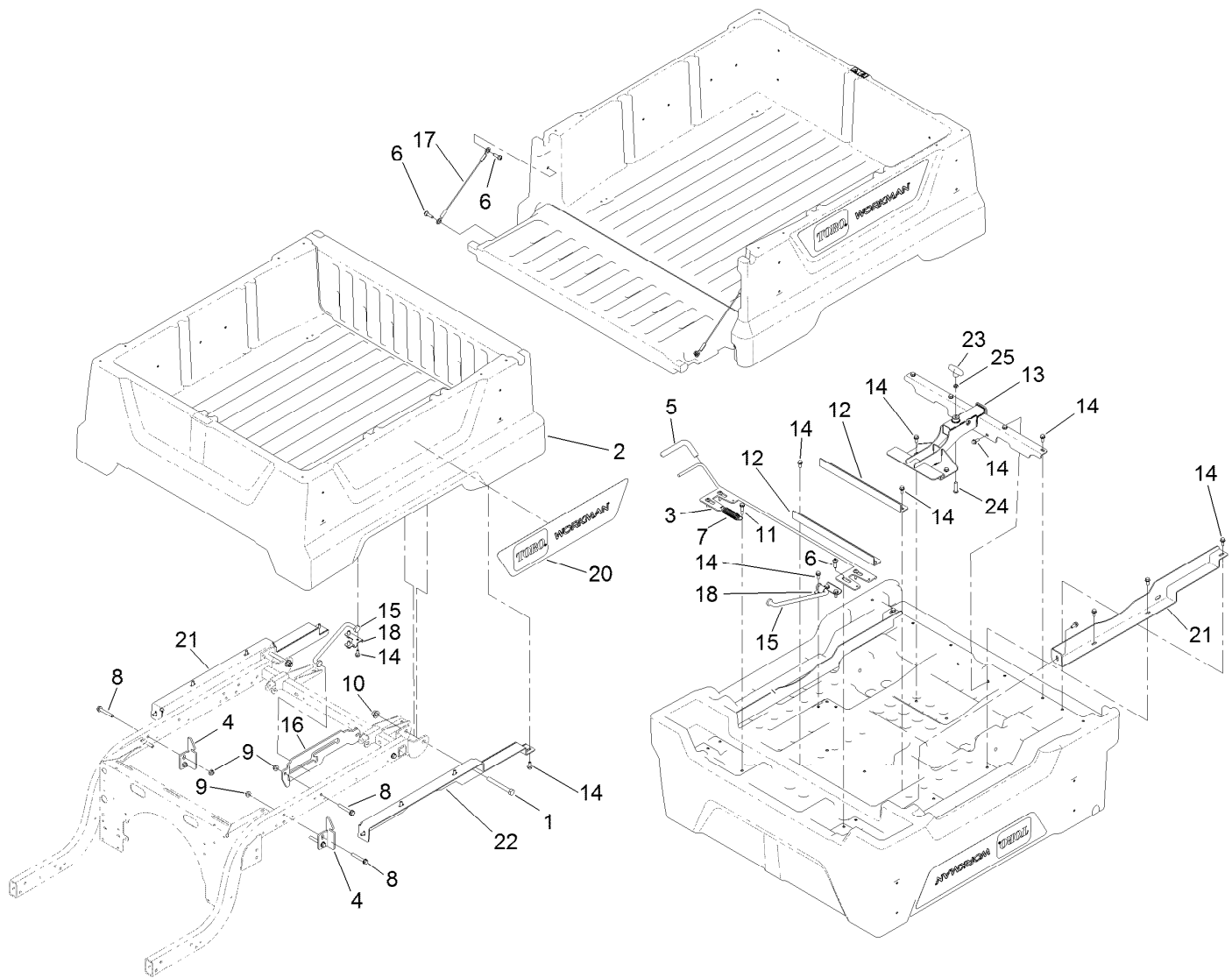
## Dash Assembly

Ref.	Part Number	Qty.	Description	Ref.	Part Number	Qty.	Description
1	131-8593	1	Dash	12	32144-70	4	Screw-HWHTF
1:2	131-8414	1	Decal-Danger	13	131-8568-03	1	Reinforcement-Dash
2	127-7846	1	Footboard	14	49-2040	8	Screw-HWHTF
3	127-7847	1	Cover-Footboard	15	138-3525	1	Decal-Dashboard
4	107-7461	2	Screw-Plastite	16	131-8412	1	Decal-Control Panel, Electric
5	127-7831-03	1	Angle	18	131-8493	1	Decal-USB
6	131-8336-03	1	Bracket-Dash, RH	19	131-8506	1	Decal-Status, Machine
7	131-8335-03	1	Bracket-Dash, LH	20	131-8569-03	2	Bracket-Dash, Side
9	132-6777	20	Screw-TTH	21	104-7201	2	Nut-HF
10	104-7201	4	Nut-HF	22	133-7111-03	1	Bracket-Mount, Radio
11	3256-2	2	Washer-Flat				



## Seatbase Assembly

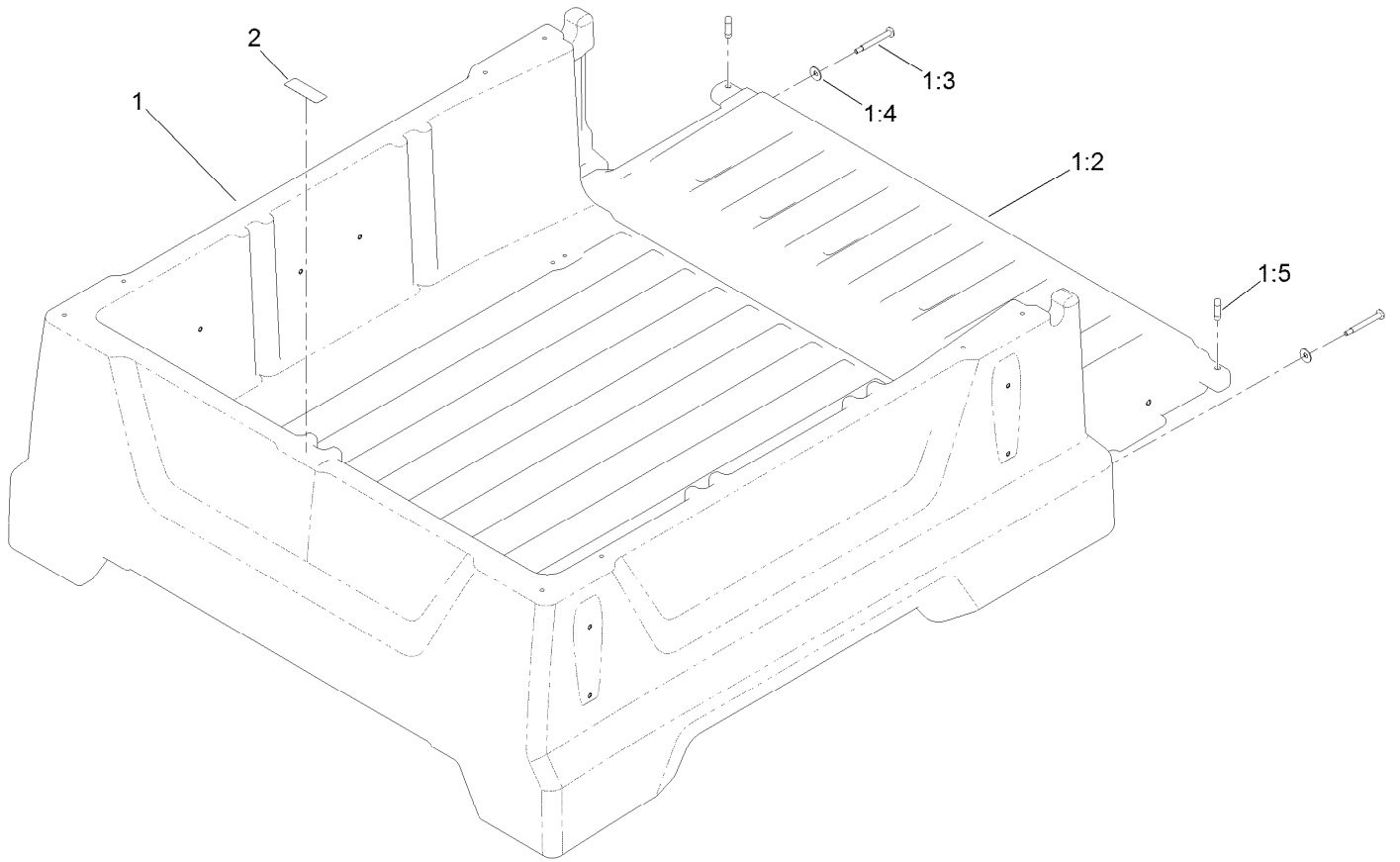
Ref.	Part Number	Qty.	Description	Ref.	Part Number	Qty.	Description
1	127-7805	1	Side-Base, Seat (RH)	19	32144-70	6	Screw-HWHTF
2	133-7188	1	Panel-Base, Seat	20	104-8300	6	Nut-HF, NI
3	127-7807	1	Side-Base, Seat (LH)	21	133-7167-03	2	Bracket-Hinge, Seat
4	133-7345-03	1	Support-Seat	24	138-0055	1	Bench Seat Bottom ASM
5	137-6991	1	Seat Support ASM	24:4	133-7121	1	Cover-Cushion, Bottom
5:2	120-9570	1	Decal-Warning	25	133-3079-05	1	Back Rest
6	127-7841-03	2	Channel-Support, Seat	26	138-0053	1	Bench Seat Back Rest ASM
7	127-7844-03	2	Clamp-Plate, Floor	27	32105-18	6	Screw-HHF
8	3256-22	2	Washer-Flat	28	132-8586-05	2	Casting-Mount, Bench Seat (Back)
9	321-18	2	Screw-HH	29	131-8591	2	Screw-HSH
10	104-7201	8	Nut-HF	30	3296-59	2	Nut-Lock, NI
11	127-7842-03	1	Bracket-Support, Side (LH)	31	133-7186-03	2	Bracket-Support, Bench Seat
12	127-7843-03	1	Bracket-Support, Side (RH)	32	3234-4	8	Screw-HHF
13	112-6349	5	Screw-HWH	33	133-7122-05	1	Bracket-Holder, Cup
14	120-2349	8	Screw	34	133-7133-05	1	Bracket-Divider, Cup Holder
15	3234-33	6	Screw-HHF	35	133-7130	4	Rivet-Pop
16	131-8352-05	1	Restraint-Hip, RH				
17	131-8353-05	1	Restraint-Hip, LH				
18	46-6810	2	Screw And Washer ASM				



## Cargo Bed Assembly

Ref.	Part Number	Qty.	Description	Ref.	Part Number	Qty.	Description
1	325-18	2	Screw-HH	13	132-8523-03	1	Attachment-Quick, Class 1
2	131-8592	1	Cargo Bed And Tailgate ASM	14	3234-5	25	Screw-HHF
3	132-8524	1	Latch	15	132-8517	1	Rod-Prop
4	127-7428-03	2	Striker-Latch, Bed	16	132-8518	1	Bracket-Rod, Prop
5	132-8515	1	Grip-Handle	17	121-6343	2	Lanyard-Tailgate
6	119-2267	8	Screw-Shoulder, BHTF	18	132-0839	1	Bracket-U, Prop Rod
7	106-5598	1	Spring-Extension	20	132-8538	2	Decal-Workman
8	3234-39	6	Screw-HHF	21	133-3042-03	1	Support-Cargo Bed, RH
9	104-8301	6	Nut-HF, NI	22	133-3043-03	1	Support-Cargo Bed, LH
10	99-5107	2	Nut-Lock	23	133-3056	1	Handle-T
11	116-8607	1	Screw-Shoulder	24	95-3857	1	Screw-HSBH
12	132-8526-03	2	Brace-Middle, Bed	25	3218-3	1	Nut-Jam

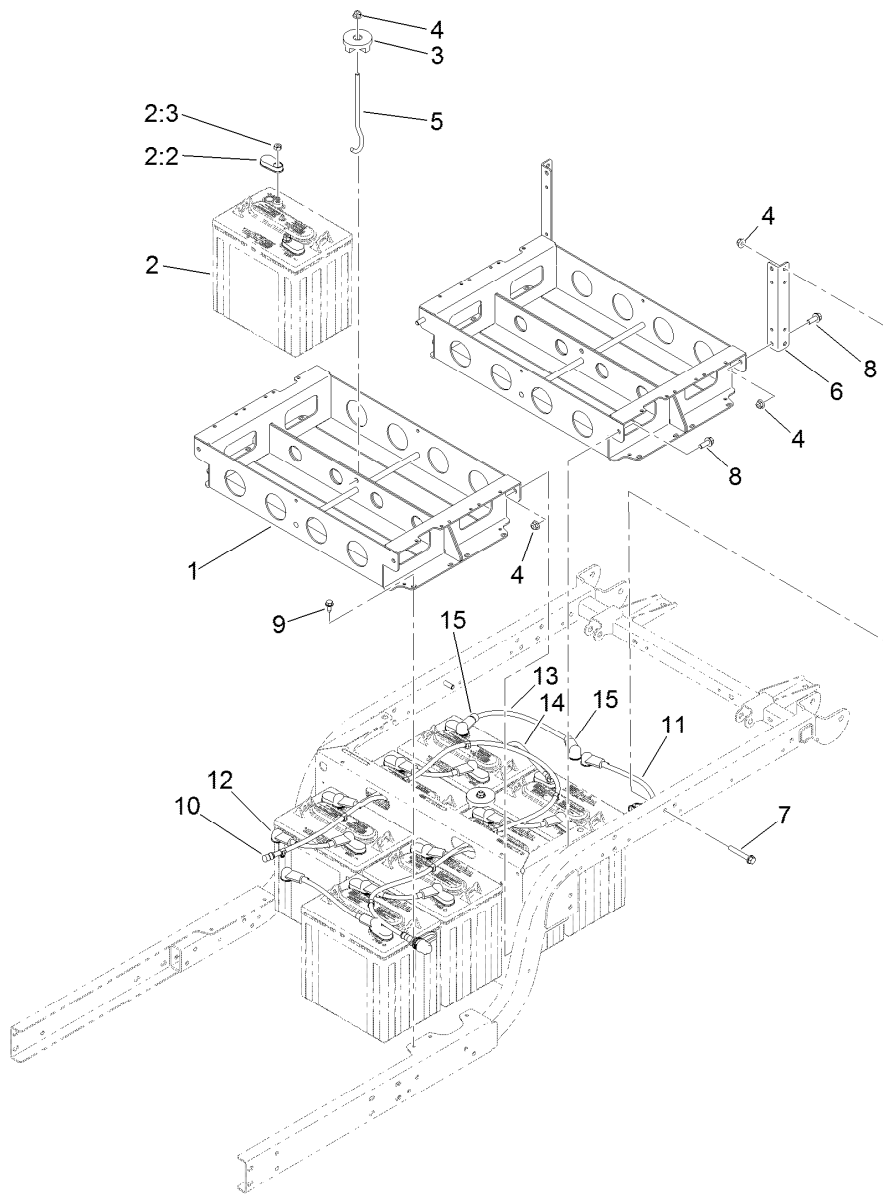




## Cargo Bed and Tailgate Assembly No. 131-8592

<i>Ref.</i>	<i>Part Number</i>	<i>Qty.</i>	<i>Description</i>
1		1	Cargo Bed And Tailgate ASM ●
1:2	132-0841	1	Tailgate
1:3	133-7100	2	Screw-Shoulder, Bh (Torx)
1:4	3290-456	2	Washer-Belleville
1:5	133-7146	2	Plug-Tailgate, Anti-Rattle
2	115-7739	1	Decal-No Riders

● Not serviced separately

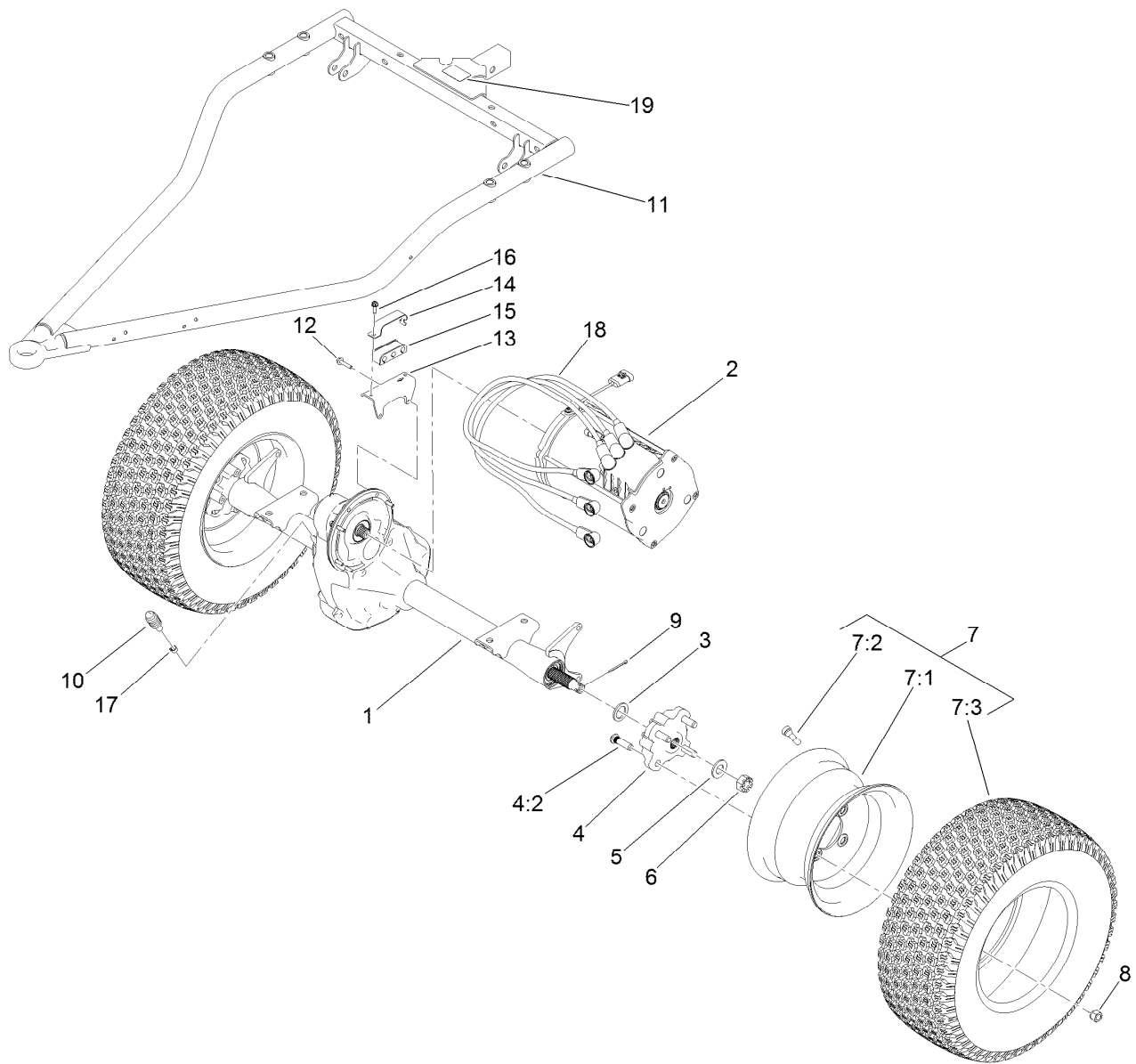


## Battery Assembly

Ref.	Part Number	Qty.	Description	Ref.	Part Number	Qty.	Description
1	131-8300-03	2	Tray-Battery	9	32144-70	4	Screw-HWHTF
2		8	Battery-Lead Acid, Wet ■	10	131-8491	1	Watering Hose ASM
2:2	107-0289	2	Cover-Terminal, Battery	11	107-0739	2	Cable-Battery, Positive
2:3	107-0388	2	Nut	12	107-0738	6	Cable-Battery, Positive
3	104-7149	2	Hold Down ASM	13	122-0750	1	Cable-Battery, Positive
4	104-8301	8	Nut-HF, NI	14	94-6168	1	Wire-Ground, Battery
5	131-8387	2	Rod-Battery Hold Down	15	32180-009	2	Insulator-Lug, Red
6	131-8302-03	2	Bracket-Box, Battery	99	107-0392	1	Protection-Terminal, Aerosol ●
7	3234-39	2	Screw-HHF				
8	3234-42	4	Screw-HHF				

● Not illustrated

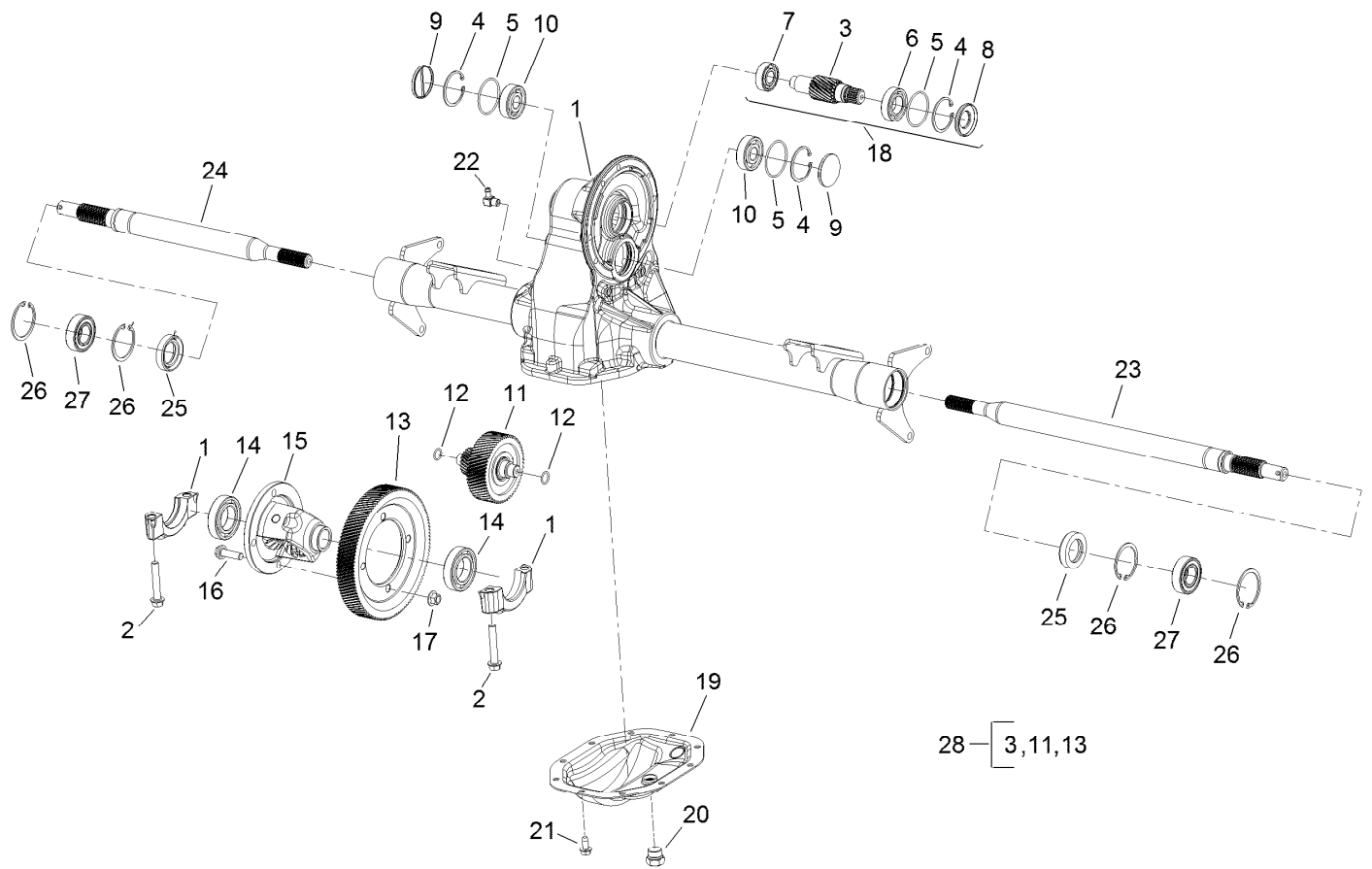
■ Not serviced separately



## Rear Axle and Motor Assembly

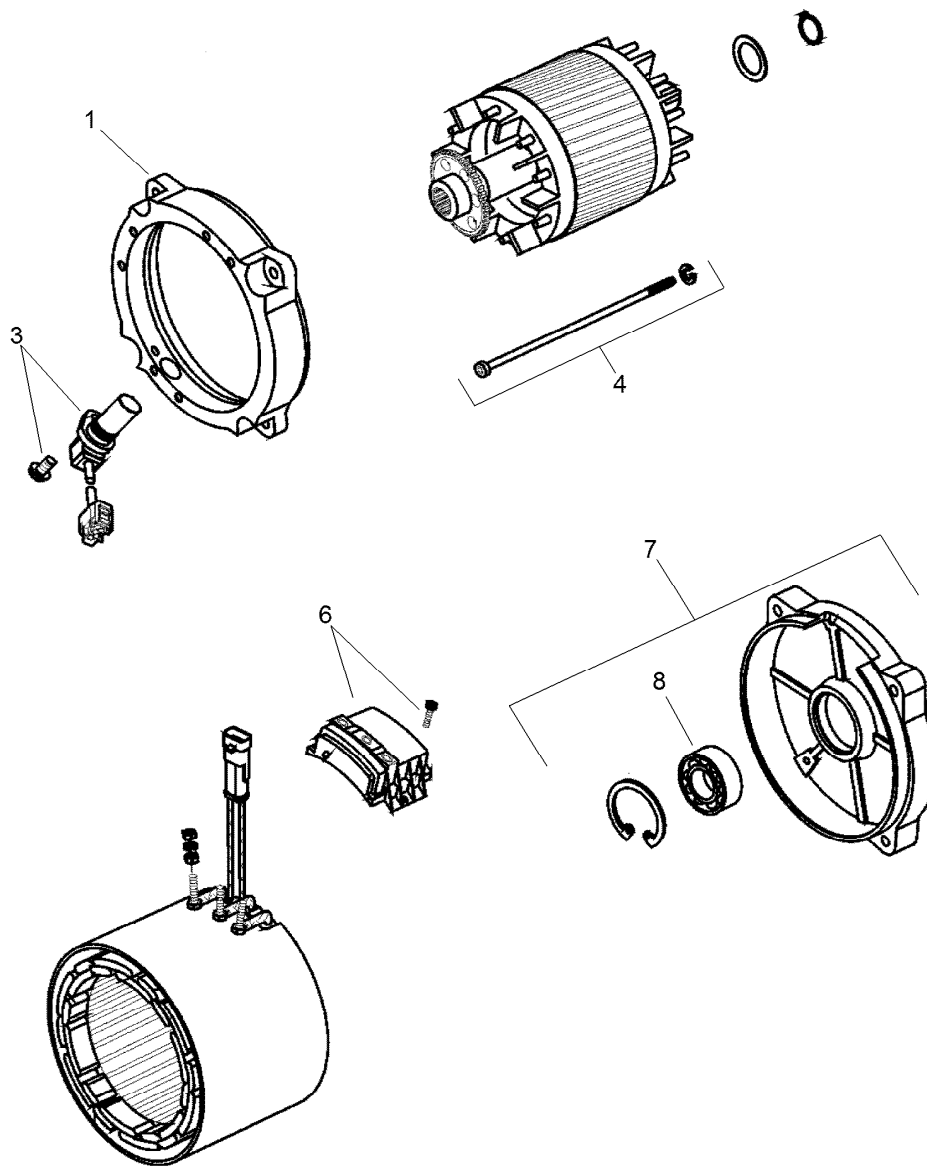
Ref.	Part Number	Qty.	Description	Ref.	Part Number	Qty.	Description
1	136-6340	1	Transaxle ASM	10	127-8859	1	Bellows-Breather
2	137-6936	1	Motor-AC	11	131-8340-03	1	Arm-Swing
3	131-8570	2	Spacer-Hardened	12	33103-030	6	Screw-HHF
4	127-8848	2	Rear Hub ASM	13	131-8416	1	Bracket-Cable
4:2	10-6830	4	Stud-Type, Drive	14	131-8482	1	Retainer-Isolator
5	92-5836	2	Washer	15	131-8420	1	Isolator-Clamp
6	32136-5	2	Nut-Hex, Slotted	16	49-2040	1	Screw-HWHTF
7	139-4495	2	Wheel And Tire ASM	17	2412-146	1	Clamp-Hose
7:1	131-8317	1	Wheel	18	122-0743	3	Cable-Battery, Positive
7:2	232-27	1	Stem-Valve	19	137-9984	1	Decal-Load, Towing
7:3	139-4475	1	Tire-20 X 8.00-10	99	107-0392	1	Protection-Terminal, Aerosol
8	242-50	8	Nut-Lug				●
9	1-806800	2	Pin-Cotter				

● Not illustrated



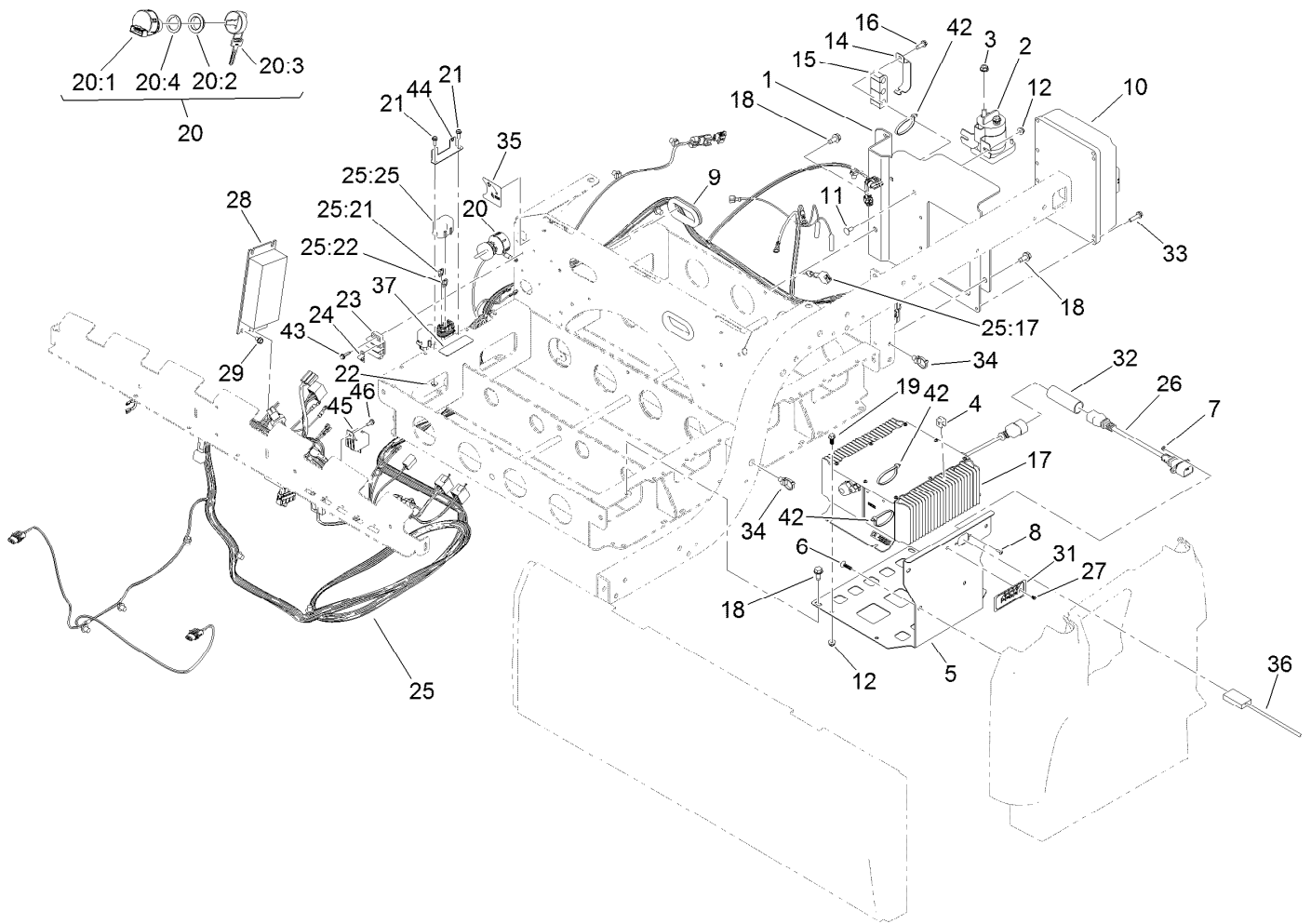
## Transaxle Assembly No. 136-6340

Ref.	Part Number	Qty.	Description	Ref.	Part Number	Qty.	Description
1	133-2447	1	Housing-Axle	15	133-2461	1	Differential ASM
2	133-2448	4	Bolt-Cap, Bearing	16	133-2462	4	Bolt-HHF
3	133-2485	1	Gear-Input	17	133-2463	4	Nut-Lock
4	133-2450	3	Ring-Retaining	18	133-2487	1	Input Gear Kit
5	133-2451	3	O-Ring	19	136-6341	1	Plate-Cover
6	133-2452	1	Bearing-Ball	20	133-2466	1	Plug-HH
7	133-2453	1	Bearing-Ball	21	133-2467	10	Screw-Tapping
8	133-2454	1	Seal-Oil	22	133-2468	1	Elbow-Hose
9	133-2455	2	Plug-Cap, End	23	133-2469	1	Shaft-Axle, LH
10	133-2456	2	Bearing-Ball	24	133-2470	1	Shaft-Axle, RH
11	133-2486	1	Intermediate Gear ASM	25	133-2471	2	Seal-Oil
12	133-2458	2	O-Ring	26	133-2472	4	Ring-Retaining
13	133-2459	1	Gear-Drive, Final	27	108-2425	2	Bearing-Ball
14	133-2460	2	Bearing-Ball	28	108-2409	1	Internal Gear Kit



## Electric Motor Assembly No. 137-6936

Ref.	Part Number	Qty.	Description
1	132-4924	1	Bracket-End, Drive
3	132-4925	1	Sensor
4	132-4926	1	Screw
6	132-4927	1	Plate-Connection
7	132-4928	1	Bracket-End, Rear
8	132-4929	1	Bearing

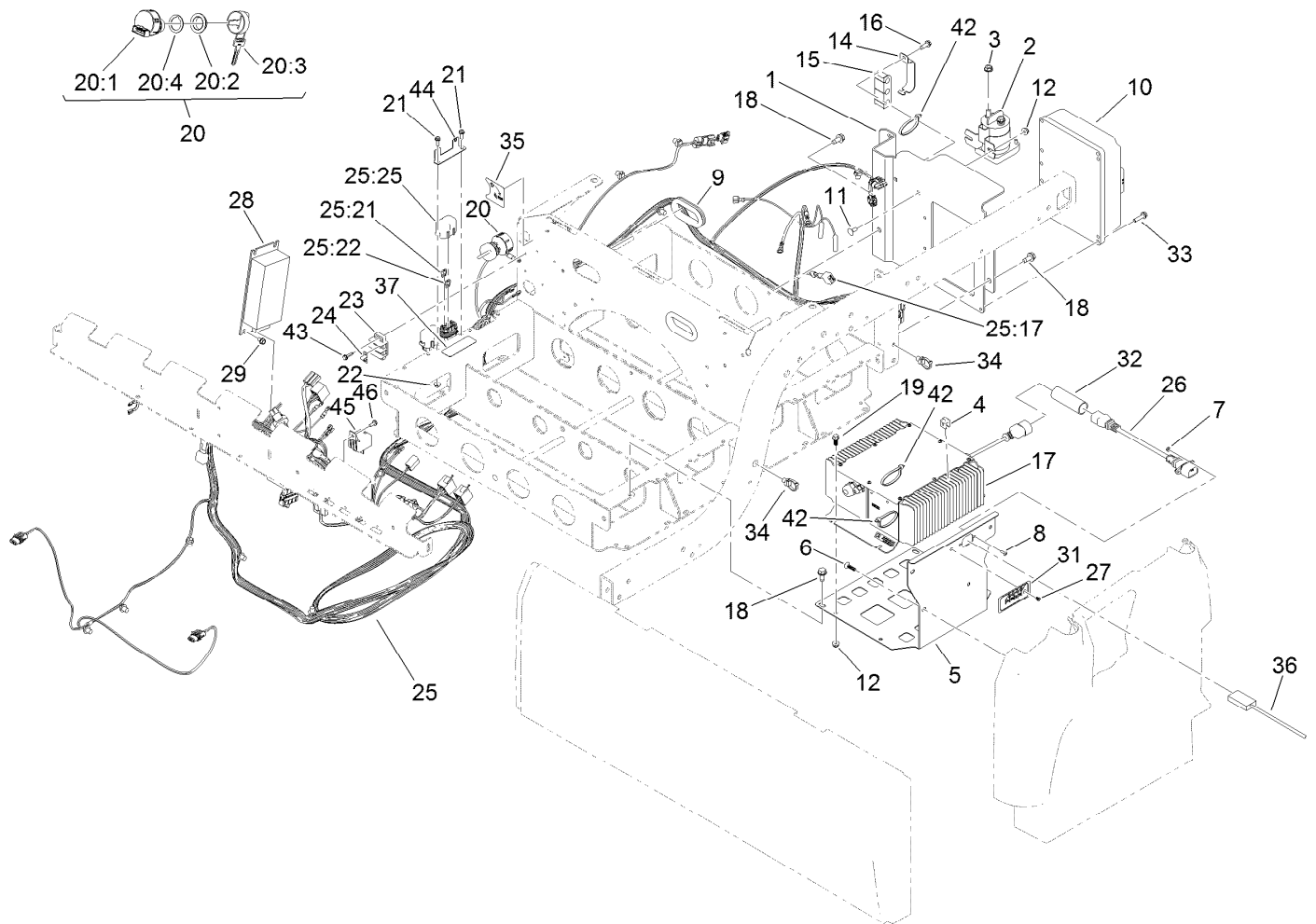


## Controller Assembly

Ref.	Part Number	Qty.	Description	Ref.	Part Number	Qty.	Description
1	131-8415-03	1	Bracket-Controller	19	99-6810	4	Screw-HHF
2	104-7136	1	Contactora-48V	20	110-2580	1	Switch-Key, Supervisor
3	107-0380	2	Nut-HHF	20:1		1	Switch-Key ■
4	32180-082	1	Clip-Edge W/Tie, Perpendicular	20:2	108-8660	1	Nut-Mounting
5	131-8483-03	1	Bracket-Charger	20:3	110-5221	1	Set-Key, Supervisor
6	120-2349	4	Screw	20:4	108-8659	1	Washer-Backup
7	3296-9	2	Nut-Hex	21	32105-23	2	Screw
8	3249-3	2	Screw-PRH	22	3290-148	2	Nut-HF
9	240-12	2	Grommet	23	42862	1	Block-Terminal, Ground
10	137-9898	1	Controller-Sevcon	24	42863	1	Strip-Jumper
11	3229-11	2	Screw-CARR	25	122-1475	1	Harness-Wire, Main
12	104-7201	6	Nut-HF	25:17	100-4918	2	Diode
14	131-8482	1	Retainer-Isolator	25:18	32160-092	1	Connector-Mp280, 2F ●
15	131-8420	1	Isolator-Clamp	25:21	121-8880	1	Fuse-Mini Blade, 10 Amp
16	49-2040	1	Screw-HWHTF	25:22	121-8882	1	Fuse-Mini Blade, 20 Amp
17	131-8490	1	Charger-48V Onboard	25:23	121-8864	1	Fuse-Mini Blade, 5 Amp ●
18	32144-70	5	Screw-HWHTF	25:24	121-8866	1	Fuse-Mini Blade, 10 Amp ●

● Not illustrated

■ Not serviced separately

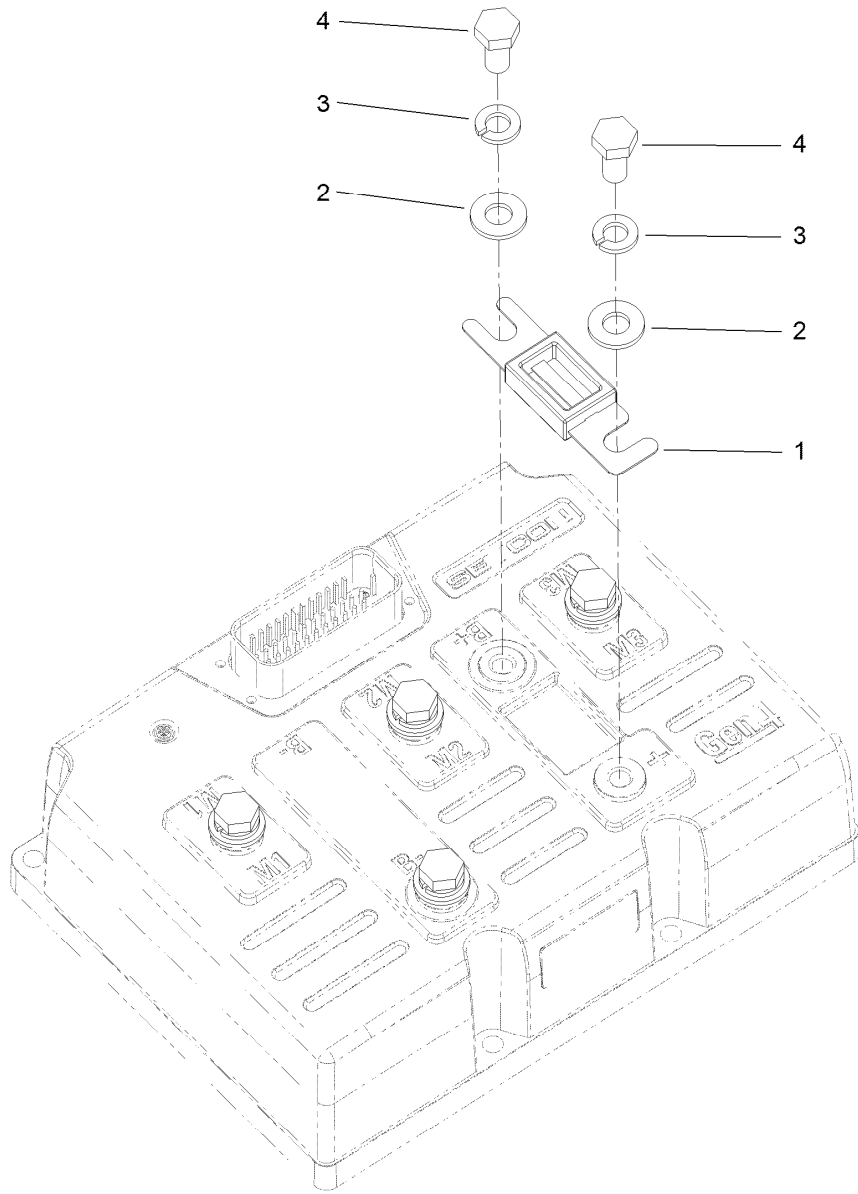


## Controller Assembly (continued)

<i>Ref.</i>	<i>Part Number</i>	<i>Qty.</i>	<i>Description</i>	<i>Ref.</i>	<i>Part Number</i>	<i>Qty.</i>	<i>Description</i>
25:25	32180-195	2	Cover-Cooper-Bussmann, Cfh (Short)	35	131-8527	1	Decal-Mode
26	131-8497	1	Cordset	36	107-0382	1	Powercord-AC, Europe
27	131-8499	1	Holder-LED	36	107-0383	1	Powercord-AC, U.K.
28	137-7952	1	Converter-DC-DC	36	107-0384	1	Powercord-AC
29	99-8445	2	Screw-HWH	37	139-3338	1	Decal-Fuse Block, 48V
31	131-8495	1	Decal-Function, Charger	42	3290-378	3	Tie-Cable
32	107-0341	1	Tube-Shrink, Heat	43	100-4351	2	Screw-HWH
33	32144-86	4	Screw-HWHTF	44	138-9299	1	Bracket-Fuse Block
34	32180-030	3	Clip-Tie	45	122-1488	1	Relay
				46	32144-1	1	Screw-Taptite

● Not illustrated

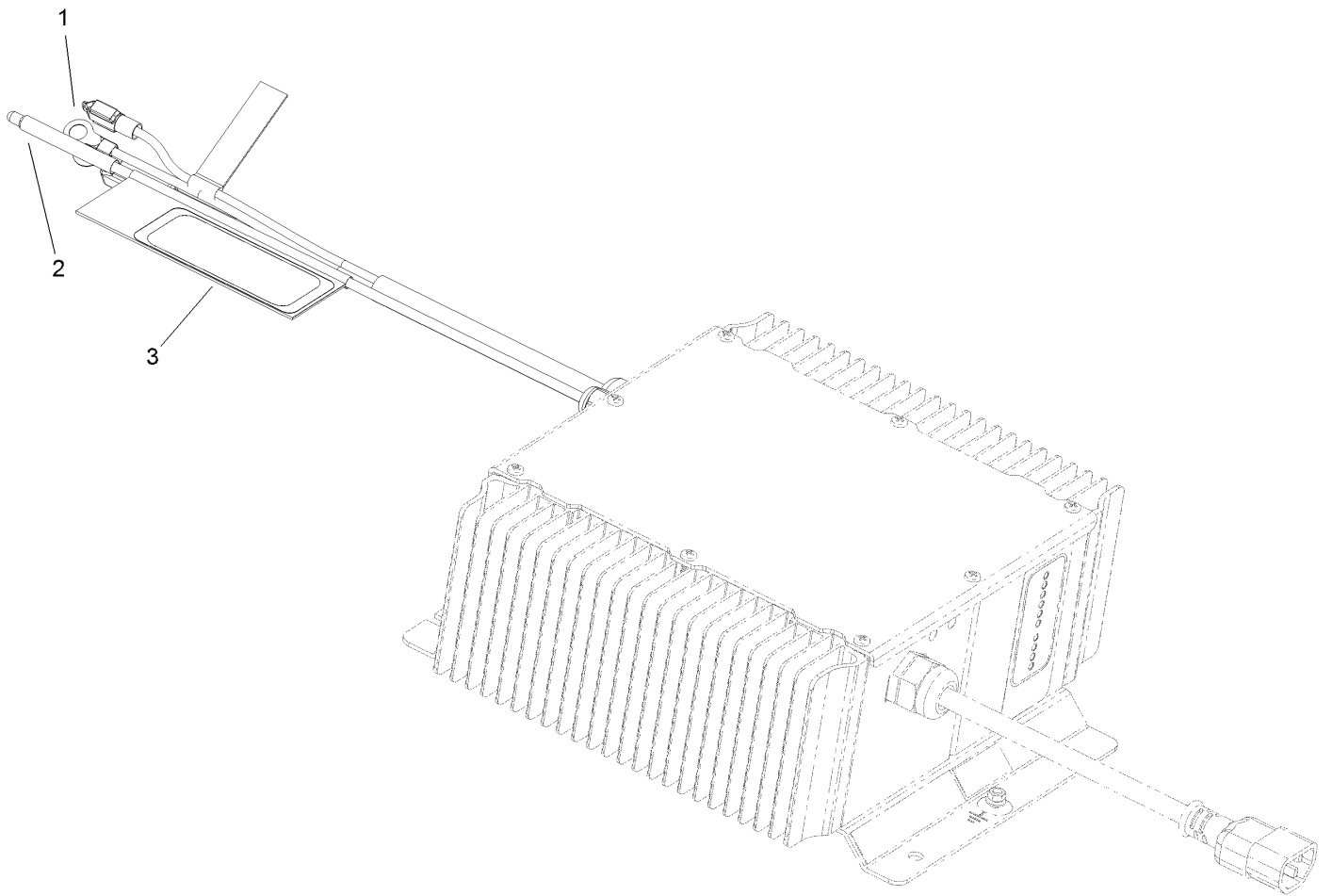
■ Not serviced separately



## Sevcon Controller Assembly No. 137-9898

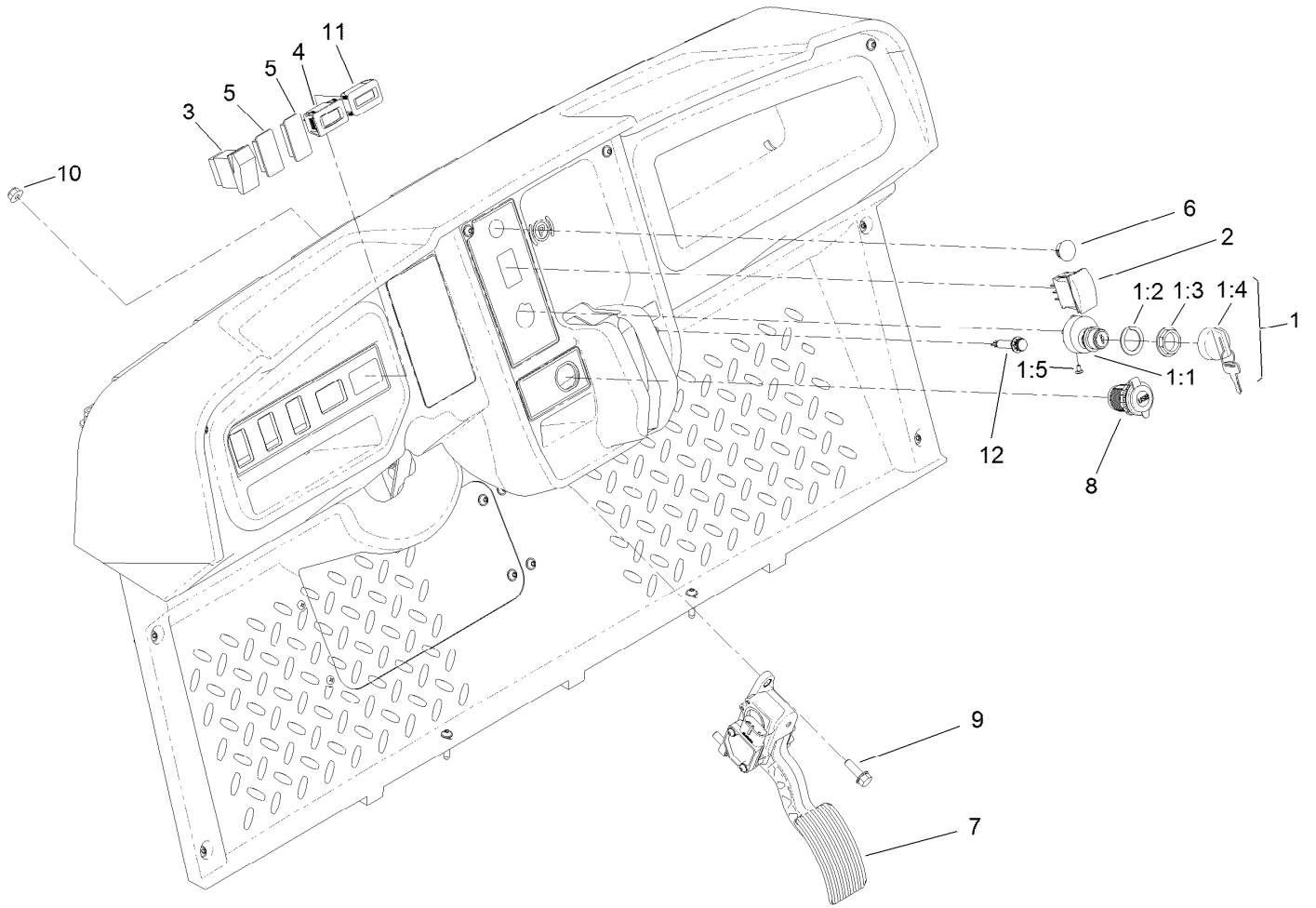
<i>Ref.</i>	<i>Part Number</i>	<i>Qty.</i>	<i>Description</i>
1	131-8494	1	Fuse-425 Amp
2	33094-00	6	Washer-Plain
3	3253-4	6	Washer-Lock
4	33114-016	6	Screw-HH





## Onboard Charger Assembly No. 131-8490

<i>Ref.</i>	<i>Part Number</i>	<i>Qty.</i>	<i>Description</i>
1	131-8511	1	Thermister Repair Kit
2	131-8512	1	Remote LED
3	131-8495	1	Decal-Function, Charger



## Accelerator Pedal and Key Switch Assembly

Ref.	Part Number	Qty.	Description
1	120-4815	1	48V Key Switch ASM
1:1		1	Switch-Key ●
1:2	108-8659	1	Washer-Backup
1:3	108-8660	1	Nut-Mounting
1:4	106-5270	1	Ignition Key Set
1:5	3250-28	3	Screw
2	122-0784	1	Switch-Rocker, On-Off-On
3	95-8999	1	Switch
4	120-2244	1	Hourmeter

Ref.	Part Number	Qty.	Description
5	99-7420	2	Plug-Hole
6	94-5627	1	Plug
7	121-9675	1	Pedal-Accelerator
8	131-8388	1	Socket-USB
9	3234-29	3	Screw-HHF
10	104-8300	3	Nut-HF, NI
11	131-8381	1	Gauge-Battery
12	131-8383	1	Light-Indicator

● Not serviced separately

# Attachments and Accessories

## For 07153 Workman GTX Electric Utility Vehicle with Bench Seat

<b>Product Name</b>	<b>Model/Part</b>
Multi-passenger Kit.....	07133
Bucket Seat Base Kit (2016).....	07134
Bench Seat Base Kit (2016).....	07135
48V Electric Lift Kit.....	07143
Brush Guard Kit.....	07145
Front Hitch Kit, Workman GTX Series Utility Vehicles with Brush Guard.....	07146
Front Hitch Kit, Workman GTX or MDX Series Utility Vehicles without Brush Guard.....	07147
Steel Flat Bed Kit.....	07148
Storage Box Kit.....	07156
Ball Picker Mounting Bracket Kit.....	07157
Walk Spreader Mounting Kit.....	07029
6in L-Track Kit.....	07158
2in L-Track Kit.....	07159
Hose Reel Mounting Kit.....	07027
Class 1 Draw Bar Kit.....	133-3095
Aggressive Tire Kit.....	07423
Hand Pump Hose Asm.....	131-8522
Horn Kit.....	133-3017
Reverse Alarm Kit.....	131-8549
Power Point Kit.....	131-8550
Power Converter Kit.....	133-0959
Trash Can Mounting Kit.....	07028
Bed Rack Kit.....	07031
Cab Kit.....	07142
Canopy Kit.....	07140
Mount-Ball.....	133-7116
Brake and Signal Light Kit.....	133-7127
Road Light and Homologation Kit.....	133-7128
48V 6 Foot Bed Electric Lift Kit.....	07168
Front Spring Kit.....	133-7145
Canopy Mount Kit, Workman GTX Utility Vehicle with Extended Flatbed.....	133-7160
Tire-20 8.00-10.....	116-7333
MVP Kit 400 Hour.....	136-6280
Cab Mount Kit, Workman GTX Utility Vehicle with Extended Flatbed.....	133-7198
Service Hood ASM.....	133-7209
ROPS Kit.....	07032
Crated Finishing Kit.....	07045
Cargo Bed Kit.....	07046
Bench Seat Base Kit.....	07047
Bucket Seat Base Kit.....	07048
Extension Kit.....	07049
Small Bedrack Mount Grip Kit.....	136-6311
Large Bedrack Mount Grip Kit.....	136-6312
Wireless Hourmeter Kit.....	136-6324
Optional Rear Tire GTX-K500.....	137-2785
Deionizer-Water.....	137-2884

## Attachments and Accessories (continued)

Plate-Skid .....	137-2887-03
Seat Hinge Kit.....	133-7346
Ignition Switch ASM (Key1) .....	138-3505
Ignition Switch ASM (Key2) .....	138-3506
Ignition Switch ASM (Key3) .....	138-3507
Ignition Switch ASM (Key4) .....	138-3508
Ignition Switch ASM (Key5) .....	138-3509
Glove Box Cover Kit .....	137-2883
Fold-Down Rear Facing Seat.....	07123
Door Mount Mirror Kit.....	136-1997

**Notes:**

**Notes:**

**Notes:**



**Count on it.**