



Z-Master™

Compact Series
Z150
with 52" SFS Side
Discharge Mower

Model No. 74172-990001

PROTOTYPE

Operator's Manual

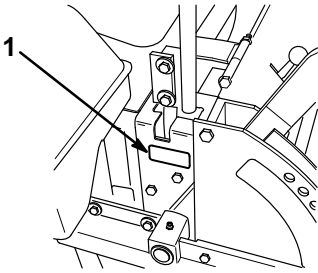
IMPORTANT: Read this manual carefully. It contains information about your safety and the safety of others. Also become familiar with the controls and their proper use before you operate the product.

Introduction

Thank you for purchasing a Toro product.

All of us at Toro want you to be completely satisfied with your new product, so feel free to contact your local Authorized Service Dealer for help with service, genuine replacement parts, or other information you may require.

Whenever you contact your Authorized Service Dealer or the factory, always know the model and serial numbers of your product. These numbers will help the Service Dealer or Service Representative provide exact information about your specific product. You will find the model and serial number plate located in a unique place on the product as shown below.



m-3648

1. Model and Serial Number Plate

For your convenience, write the product model and serial numbers in the space below.

Model No. _____
Serial No. _____

Read this manual carefully to learn how to operate and maintain your product correctly. Reading this manual will help you and others avoid personal injury and damage to the product. Although we design, produce and market safe, state-of-the-art products, you are responsible for using the product properly and safely. You are also responsible for training persons, who you allow to use the product, about safe operation.

The warning system in this manual identifies potential hazards and has special safety messages that help you and others avoid personal injury, even death. DANGER, WARNING and CAUTION are signal words used to identify the level of hazard. However, regardless of the hazard, be extremely careful.

DANGER signals an extreme hazard that will cause serious injury or death if the recommended precautions are not followed.

WARNING signals a hazard that may cause serious injury or death if the recommended precautions are not followed.

CAUTION signals a hazard that may cause minor or moderate injury if the recommended precautions are not followed.

Two other words are also used to highlight information. “Important” calls attention to special mechanical information and “Note” emphasizes general information worthy of special attention.

The left and right side of the machine is determined from the normal operator’s position.

! WARNING: !
The engine exhaust from this product contains chemicals known to the State of California to cause cancer, birth defects, or other reproductive harm.

IMPORTANT: This engine is not equipped with a spark arrester muffler. It is a violation of California Public Resource Code Section 4442 to use or operate this engine on any forest-covered, brush-covered or grass-covered land. Other states or federal areas may have similar laws.

Contents


	Page		Page
Safety	2	Fuel Tanks	24
Safe Operating Practices	2	Adjusting Height-of-Cut	25
Slope Chart	6	Adjusting Anti-Scalp Rollers	25
Safety and Instruction Decals	8	Positioning the Seat	27
Gasoline and Oil	11	Pushing the Machine by Hand	27
Recommended Gasoline	11	Side Discharge	28
Stabilizer/Conditioner	12	Tips for Mowing Grass	29
Filling the Fuel Tank	12	Maintenance	30
Check Engine Oil Level	12	Service Interval Chart	30
Assembly	13	Cutting Blades	31
Loose Parts	13	Greasing the Bearings	35
Install Drive Wheels	14	Replacing the Grass Deflector	36
Tire Pressure	14	Replacing the Deck Belt	37
Install Seat Retaining Rod	14	Air Cleaner	38
Install Motion Control Levers	15	Engine Oil	39
Activate the Battery	16	Spark Plug	41
Install Battery	17	Greasing and Lubrication	42
Hydraulic System	18	Tire Pressure	43
Operation	19	Fuel Filter	43
Think Safety First	19	Fuel Tank	44
Controls	19	Hydraulic System	45
Parking Brake	19	Adjusting Motion Controls	48
Starting and Stopping the Engine	20	Replacing the Pump Drive Belt	50
Operating the Power Take Off (PTO)	21	Adjustment Parking Brake	50
The Safety Interlock System	22	Fuse	51
Testing the Safety Interlock System	22	Battery	52
Driving Forward or Backward	23	Wiring Diagram	53
Stopping the Machine	23	Cleaning and Storage	54
Instruments	24	Troubleshooting	55
		Warranty	Back Cover

THE ENCLOSED ENGINE OWNER'S MANUAL IS SUPPLIED FOR CALIFORNIA EMISSION CONTROL REGULATION INFORMATION ON EMISSION SYSTEMS, MAINTENANCE AND WARRANTY.

KEEP THIS ENGINE OWNER'S MANUAL WITH YOUR UNIT. SHOULD THIS ENGINE OWNER'S MANUAL BECOME DAMAGED OR ILLEGIBLE, REPLACE IMMEDIATELY. REPLACEMENTS MAY BE ORDERED THROUGH THE ENGINE MANUFACTURER.

Safety

This machine meets or exceeds CPSC blade safety requirements for rotary mowers and the B71.4 1990 specifications of the American National Standards Institute, in effect at time of production.

Improper use or maintenance by the operator or owner can result in injury. To reduce the potential for injury, comply with these safety instructions and always pay attention to the safety alert  symbol, which means CAUTION, WARNING, or DANGER—“personal safety instruction.” Failure to comply with the instruction may result in personal injury or death.

Safe Operating Practices

This product is capable of amputating hands and feet and throwing objects. Always follow all safety instructions to avoid serious injury or death.

WARNING

POTENTIAL HAZARD

- Engine exhaust contains carbon monoxide, which is an odorless, deadly poison.

WHAT CAN HAPPEN

- Carbon monoxide can kill you and is also known to the State of California to cause birth defects.

HOW TO AVOID THE HAZARD

- Do not run engine indoors or in an enclosed area.

This product is designed for cutting and recycling grass or, when equipped with a grass bagger, for catching cut grass. Any use for purposes other than these could prove dangerous to user and bystanders.

Note: This engine is NOT equipped with a spark arrestor muffler. Use or operation of this mower in the State of California on any forest-covered or unimproved grass-covered land, without an approved spark arrestor muffler, is a violation of the law. Other states may have similar laws.

PROTOTYPE

General Operation

1. Read, understand, and follow all instructions in the operator's manual and on the machine before starting.
2. Allow only responsible adults who are familiar with the instructions to operate the machine.
3. Clear the area of objects such as rocks, toys, wire, etc., which could be picked up and thrown by the blade.
4. Be sure the area is clear of other people before mowing. Stop the machine if anyone enters the area.
5. Never carry passengers.
6. Do not mow in reverse unless absolutely necessary. Always look down and behind before and while backing.
7. Be aware of the mower discharge direction and do not point it at anyone. Do not operate the mower without either the entire grass catcher or the guard in place.
8. Slow down before turning. Sharp turns on any terrain may cause loss of control.
9. Never leave a running machine unattended. Always turn off blades, set parking brake, stop engine, and remove key before dismounting.
10. Turn off blades when not mowing.
11. Keep hands, feet, hair and loose clothing away from attachment discharge area, underside of mower and any moving parts while engine is running.
12. Stop the engine before removing the grass catcher or unclogging the chute.
13. Mow only in daylight or good artificial light.
14. Do not operate the machine while under the influence of alcohol or drugs.
15. Watch for traffic when operating near or crossing roadways.
16. Use extra care when loading or unloading the machine onto a trailer or truck.
17. Do not touch equipment or attachment parts which may be hot from operation. Allow to cool before attempting to maintain, adjust or service.
18. Before operating a machine with ROPS (roll over protection) be certain the seat belt retainers are attached to prevent the seat from pivoting forward.

Slope Operation

Slopes are a major factor related to loss-of-control and tip-over accidents, which can result in severe injury or death. All slopes require extra caution. If you cannot back up the slope or if you feel uneasy on it, do not mow it.

DO

- Mow up and down slopes greater than 5°, not across.
- Mow downhill only on slopes above 10°, never mow uphill. If a steep slope must be ascended, back up the hill, and drive forward down the hill, keeping the machine in gear.
- Remove obstacles such as rocks, tree limbs, etc. from the mowing area. Watch for holes, ruts or bumps, as uneven terrain could overturn the machine. Tall grass can hide obstacles.
- Use slow speed so that you will not have to stop while on the slope.
- Follow the manufacturer's recommendations for wheel weights or counterweights to improve stability.
- Use extra care with grass catchers or other attachments. These can change the stability of the machine.
- Keep all movement on slopes slow and gradual. Do not make sudden changes in speed or direction.
- Avoid starting or stopping on a slope. If tires lose traction, disengage the blades and proceed slowly straight down the slope.
- When operating machine on slopes, banks or near drop offs, always have ROPS (roll over protection) installed.
- When operating a machine with ROPS (roll over protection) always use seat belt.
- Be certain that the seat belt can be released quickly if the machine is driven or rolls into ponds or water.

- Check carefully for overhead clearances (i.e. branches, doorways, electrical wires) before driving under any objects and do not contact them.

DO NOT

- Do not operate machine on hillsides or slopes exceeding 15°.
- Avoid turning on slopes. If you must turn, turn slowly and gradually downhill, if possible.
- Do not mow near drop-offs, ditches, or embankments. The machine could suddenly turn over if a wheel goes over the edge of a cliff or ditch, or if an edge caves in.
- Do not mow on wet grass. Reduced traction could cause sliding.
- Do not try to stabilize the machine by putting your foot on the ground.
- Do not use a grass catcher on steep slopes. Heavy grass bags could cause loss of control or overturn the machine.

PROTOTYPE

Children

Tragic accidents can occur if the operator is not alert to the presence of children. Children are often attracted to the machine and the mowing activity. Never assume that children will remain where you last saw them. The following requirements must be followed to prevent injury to children.

1. Keep children out of the mowing area and under the watchful care of another responsible adult.
2. Be alert and turn the machine off if children enter the area.
3. Before and while backing, look behind and down for small children.
4. Never carry children. They may fall off and be seriously injured or interfere with safe machine operation.
5. Never allow children to operate the machine.
6. Use extra care when approaching blind corners, shrubs, trees, the end of a fence or other objects that may obscure vision.

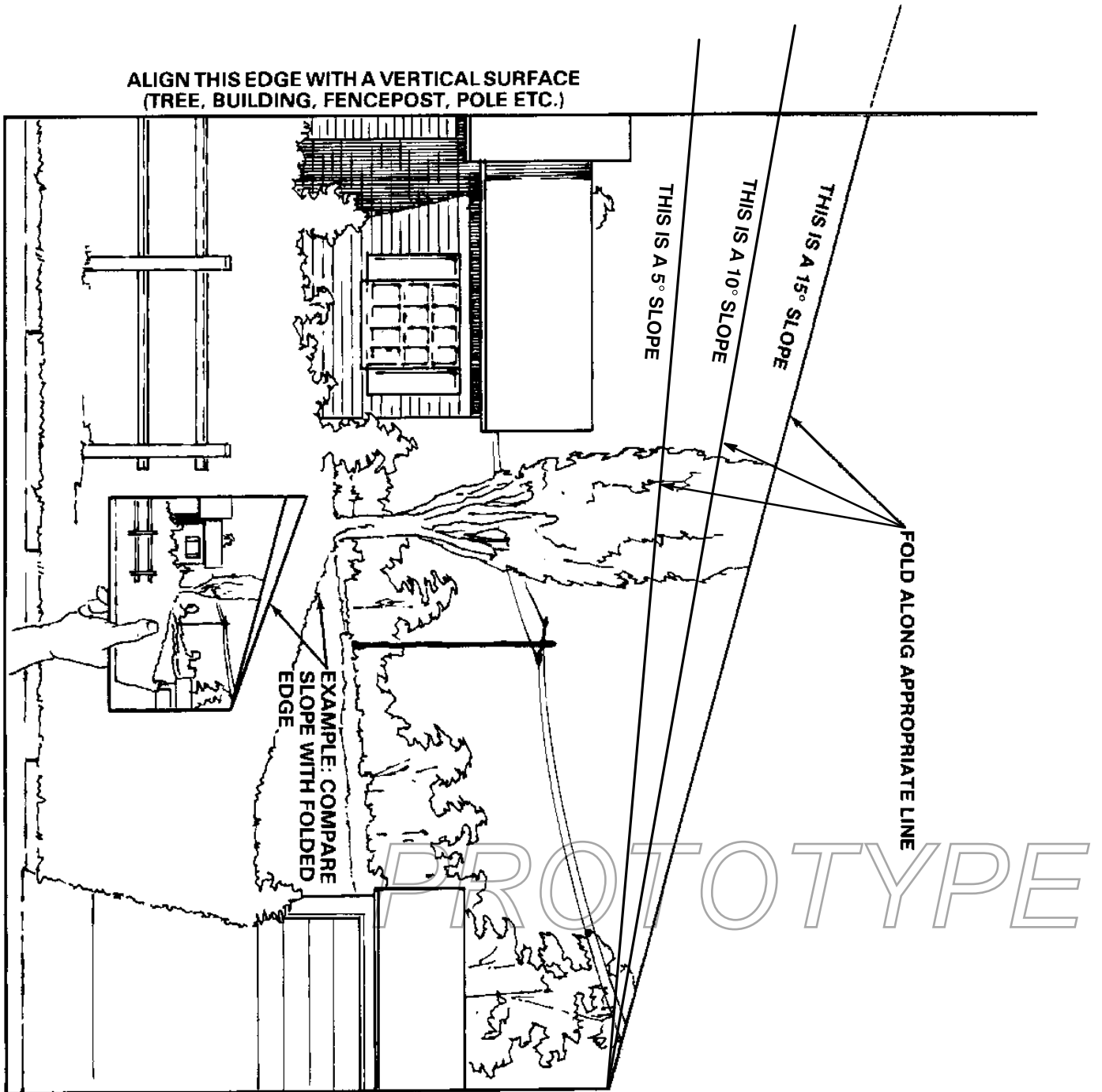
Service

1. Stop the engine and disconnect spark plug wire(s) before performing any service, repairs, maintenance or adjustments.
2. Use extra care when handling gasoline and other fuels. They are flammable and vapors are explosive.
 - A. Use only an approved container.
 - B. Never remove the gas cap or add fuel when the engine is running. Allow the engine to cool before refueling. Do not smoke.
 - C. Never refuel the machine indoors.
 - D. Never store the machine or fuel container inside where there is an open flame, such as near a water heater or furnace.
3. Never run a machine inside a closed area.

4. Keep nuts and bolts tight, especially the blade attachment bolts. Keep equipment in good condition.
5. Never tamper with safety devices. Check safety systems for proper operation before each use.
6. Keep the machine free of grass, leaves, or other debris build-up. Clean up oil or fuel spillage. Allow the machine to cool before storing.
7. Stop and inspect the equipment if you strike an object. Repair, if necessary, before restarting.
8. Grass catcher components are subject to wear, damage and deterioration, which could expose moving parts or allow objects to be thrown. Frequently check components and replace with manufacturer's recommended parts, when necessary.
9. Mower blades are sharp and can cut. Wrap the blade(s) or wear gloves, and use extra caution when servicing them.
10. Use only genuine replacement parts to ensure that original standards are maintained.
11. Check brake operation frequently. Adjust and service as required.
12. Battery acid is poisonous and can cause burns. Avoid contact with skin, eyes and clothing. Protect your face, eyes and clothing when working with a battery.
13. Battery gases can explode. Keep cigarettes, sparks and flames away from battery.
14. Hydraulic fluid escaping under pressure can penetrate the skin and cause injury. Use cardboard or paper to find hydraulic leaks.
15. Never modify ROPS (roll over protection) frames or structures because they are specifically designed, sized, located and tested for injury reduction. If a rollover occurs, a modified ROPS will not provide adequate protection.

Slope Chart

Read all safety instructions on pages 3-5.



PROTOTYPE

Safety and Instruction Decals



Safety decals and instructions are easily visible to the operator and are located near any area of potential danger. Replace any decal that is damaged or lost.

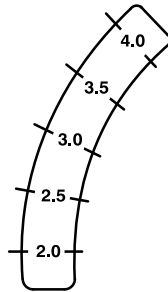
TOP OF CONSOLE UNDER SEAT (Part No. E513747)

			WARNING	513747
BATTERY CONTAINS SULFURIC ACID, AVOID CONTACT AND ALWAYS SHIELD EYES, FACE, SKIN AND CLOTHING FROM BATTERY. CIGARETTES, FLAMES OR SPARKS COULD CAUSE BATTERY TO EXPLODE. DO NOT CHARGE			OR USE BOOSTER CABLES OR ADJUST POST CONNECTIONS WITHOUT PROPER TRAINING. IN EVENT OF AN ACCIDENT FLUSH WITH WATER AND CALL A PHYSICIAN IMMEDIATELY. KEEP OUT OF REACH OF CHILDREN.	

ON RIGHT SIDE OF HEIGHT OF CUT PLATE (Part No E653140)



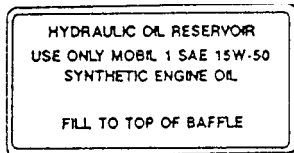
ON LEFT SIDE OF HEIGHT-OF-CUT PLATE (Part No E653147)



ON TOP OF CONSOLE LEFT AND RIGHT SIDES (Part No. E633354)

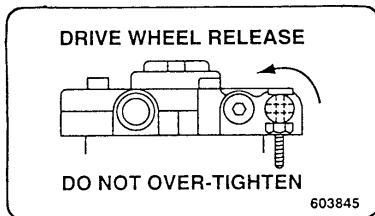


ON TOP OF HYDRAULIC RESERVOIR (Part No. E513890)

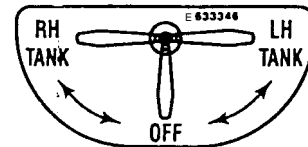


PROTOTYPE

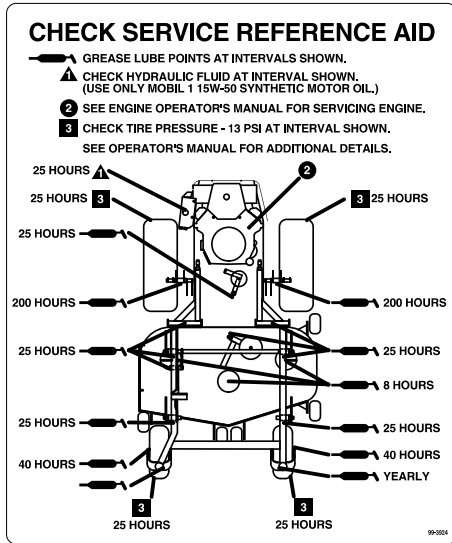
ON FRAME UNDER SEAT (Part No. E603845)



BELOW CENTER OF CONSOLE (Part No. E633346)



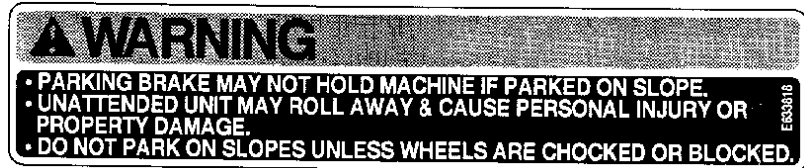
**UNDER FOOTREST
(Part No. 99-3924)**



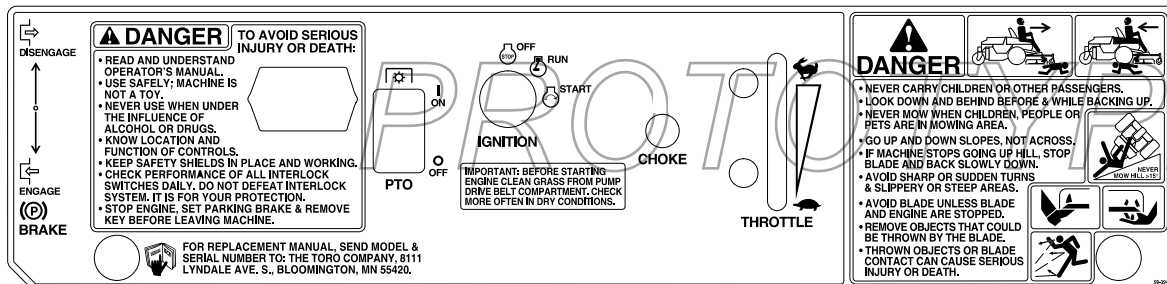
**ON HYDRAULIC TANK
ON FRAME NEAR MUFFLER
(Part No. 65-2690)**



**ON TOP LEFT SIDE OF FRAME
(Part No. E633818)**



**ON CONTROL PANEL
(Part No. 99-3942)**



**ON RIGHT SIDE OF MOWER
(Part No. 66-1340)**



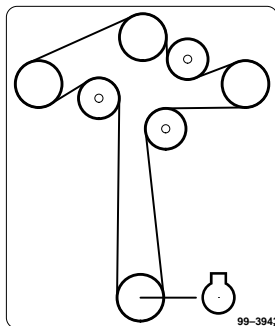
**ON LEFT SIDE OF MOWER
(Part No. 43-8480)**



**(2) ON BELT COVERS
(Part No. 67-5360)**



**ON TOP CENTER OF MOWER
(Part No. 99-3943)**



**UNDER DEFLECTOR
(Part No. 66-6380)**



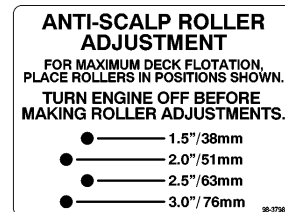
**ON DEFLECTOR
(Part No. 54-9220)**



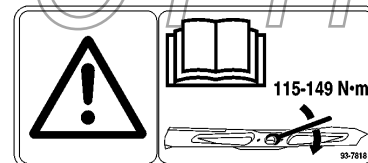
**UNDER BELT COVER (3)
UNDER FOOT REST (1)
(Part No. 98-5954)**



**ON TOP OF MOWER IN CENTER
(Part No. 98-3798)**



**ON LEFT FRONT OF MOWER
(Part No. 93-7818)**



PROTOTYPE

Gasoline and Oil

Recommended Gasoline

Use UNLEADED Regular Gasoline suitable for automotive use (85 pump octane minimum). Leaded regular gasoline may be used if unleaded regular is not available.

IMPORTANT: Never use methanol, gasoline containing methanol, or gasohol containing more than 10% ethanol because the fuel system could be damaged. Do not mix oil with gasoline.

DANGER

POTENTIAL HAZARD

- In certain conditions gasoline is extremely flammable and highly explosive.

WHAT CAN HAPPEN

- A fire or explosion from gasoline can burn you, others, and cause property damage.

HOW TO AVOID THE HAZARD

- Use a funnel and fill the fuel tank outdoors, in an open area, when the engine is cold. Wipe up any gasoline that spills.
- Do not fill the fuel tank completely full. Add gasoline to the fuel tank until the level is 1/4" to 1/2" (6 mm to 13 mm) below the bottom of the filler neck. This empty space in the tank allows gasoline to expand.
- Never smoke when handling gasoline, and stay away from an open flame or where gasoline fumes may be ignited by a spark.
- Store gasoline in an approved container and keep it out of the reach of children. Never buy more than a 30-day supply of gasoline.

DANGER

POTENTIAL HAZARD

- In certain conditions gasoline is extremely flammable and highly explosive.

WHAT CAN HAPPEN

- A fire or explosion from gasoline can burn you, others, and cause property damage.

HOW TO AVOID THE HAZARD

- Always place gasoline containers on the ground away from your vehicle before filling.
- Do not fill gasoline containers inside a vehicle or on a truck or trailer bed because interior carpets or plastic truck bed liners may insulate the container and slow the loss of any static charge.
- When practical, remove gas-powered equipment from the truck or trailer and refuel the equipment with its wheels on the ground.
- If this is not possible, then refuel such equipment on a truck or trailer from a portable container, rather than from a gasoline dispenser nozzle.
- If a gasoline dispenser nozzle must be used, keep the nozzle in contact with the rim of the fuel tank or container opening at all times until fueling is complete.

Stabilizer/Conditioner

Add the correct amount of gas stabilizer/conditioner to the gas. Using a stabilizer/conditioner in the machine:

- Keeps gasoline fresh during storage
- Cleans the engine while it runs
- Eliminates gum-like buildup in the fuel system, which causes hard starting

IMPORTANT: Never use fuel additives containing methanol or ethanol.

Filling the Fuel Tank

1. Shut the engine off and set the parking brake.
2. Clean around each fuel tank cap and remove the cap. Add unleaded regular gasoline to both fuel tanks, until the level is 1/4 to 1/2 inch (6 mm to 13 mm) below the bottom of the filler neck. This space in the tank allows gasoline to expand. Do not fill the fuel tanks completely full.
3. Install fuel tank caps securely. Wipe up any gasoline that may have spilled.

Check Engine Oil Level

Before you start the engine and use the machine, check the oil level in the engine crankcase; refer to Checking Oil Level, page 40.

PROTOTYPE

Assembly

Loose Parts

Note: Use the chart below to verify all parts have been shipped.

DESCRIPTION	QTY.	USE
Rear Wheels	2	Install wheels to traction unit
Retaining rod	1	Install seat rod
Bolt 5/16–18 x 1" (26 mm)	1	
Locknut 5/16"	1	
Control lever–right	1	Install motion control levers
Control lever–left	1	
Bolt 3/8–1 x 1" (26 mm)	4	
Spring washer 3/8"	4	
Key	2	Read before operating machine
Operator's Manual	1	
Engine Operator's Manual	1	
Parts Catalog	1	
Registration card	1	
		Fill out and return to Toro

PROTOTYPE

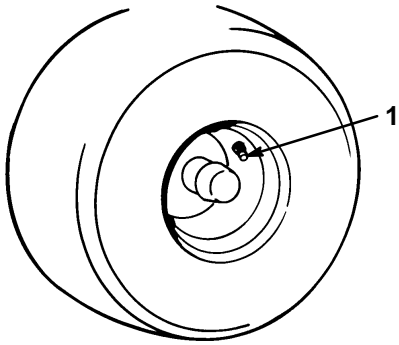
Install Drive Wheels

1. Uncrate mower.
1. Remove wheel bolts or nuts from rear wheel hubs.
2. Align holes. Mount drive wheels with the valve stem to the outside of the traction unit.
3. Secure using wheel bolts or nuts provided. Torque to 95ft-lbs (128 N•M).

Tire Pressure

Check the air pressure in the front and rear tires (Fig. 1).

Pressure: 13 psi (90 kPa)



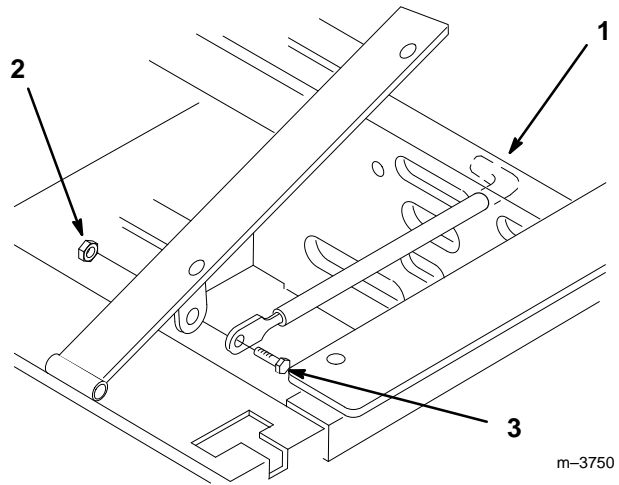
m-1872

Figure 1

1. Valve stem

Install Seat Retaining Rod

4. Tilt seat up. Remove 5/16" (8mm) locknut from bolt attaching seat retaining rod to seat frame (Fig. 2).
5. Remove retaining rod from seat and insert the "L" shaped end of the rod into the hole directly above the left-side hydraulic pump mounting hardware (the "L" must be positioned to the right) (Fig. 2).
6. Place the seat retaining rod to the outside of the mounting tab of the seat frame and secure with 5/16-18 x 1" (26 mm) bolt and 5/16" (8mm) locknut (Fig. 2).
7. Tighten until snug, then loosen so the rod pivots freely.



m-3750

Figure 2

1. L end of retaining rod
2. Locknut 5/16"
3. Bolt 5/16-18 x 1" (26 mm)

PROTOTYPE

Install Motion Control Levers

8. Remove the (4) 3/8–16 x 1” (26 mm) bolts and (4) 3/8” spring washers which attach the motion control levers to the control arm shafts for shipping (Fig. 3).
9. Place the levers (with the mounting plate towards the rear) on the outside of the control arm shaft and secure with (4) 3/8–16 x 1” (26 mm) bolts and (4) 3/8” spring washers (Fig. 3).
10. Position the lever so the bolts are in the center of the slots on the lever mounting plate and tighten until snug.
11. Align the front/rear position of the levers, with each other, in the neutral position. Loosen hardware and adjustment by sliding/tilting the lever(s) forward or backward until properly aligned(Fig. 3).

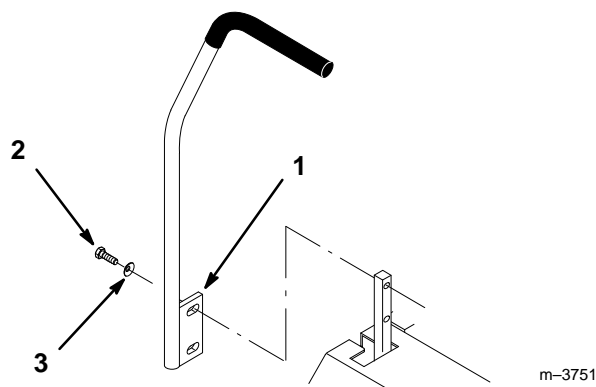


Figure 3

1. Mounting plate
2. Bolt 3/8–18 x 1” (26 mm)

3. Spring washer 3/8”

12. If the ends of the levers hit against each other, while in the drive position (Fig 4) (levers rotated in as far as possible) make adjustments by moving the levers outwards to the neutral lock position and carefully bend them outward. Move them back to the drive position and check for clearance. Repeat if necessary.

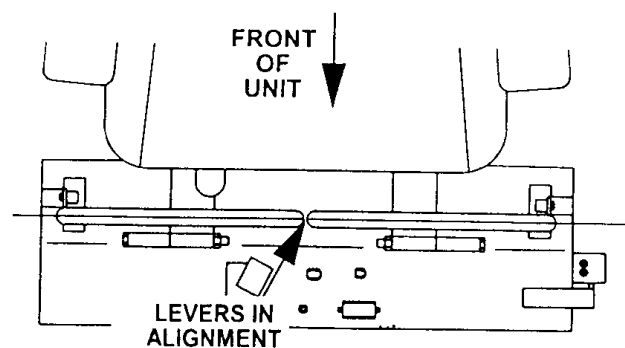


Figure 4

PROTOTYPE

Activate the Battery

Bulk electrolyte with 1.260 specific gravity must be purchased from a local battery supply outlet.

1. Remove the battery from the machine.

IMPORTANT: Be careful not to damage the long vent tube when removing the battery box.

DANGER

POTENTIAL HAZARD

- Battery electrolyte contains sulfuric acid which is a deadly poison and it causes severe burns.

WHAT CAN HAPPEN

- If you carelessly drink electrolyte you could die or if it gets onto your skin you will be burned.

HOW TO AVOID THE HAZARD

- Do not drink electrolyte and avoid contact with skin, eyes or clothing. Wear safety glasses to shield your eyes and rubber gloves to protect your hands.
- Fill the battery where clean water is always available for flushing the skin.
- Follow all instructions and comply with all safety messages on the electrolyte container.

2. Remove filler caps from the battery. Slowly pour electrolyte into each cell until the electrolyte level is up to the lower part of the tube (Fig. 5).

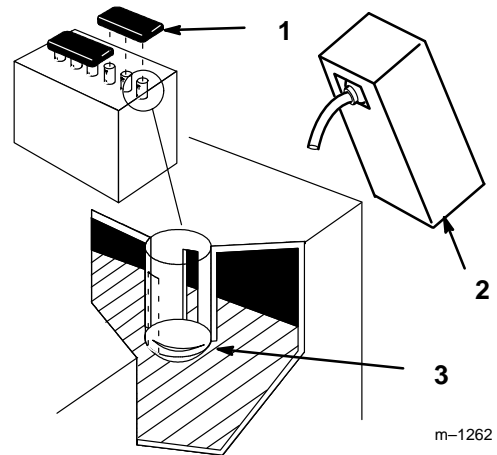


Figure 5

1. Filler caps
2. Electrolyte
3. Lower part of the tube

3. Leave the covers off and connect a 3 to 4 amp battery charger to the battery posts (Fig. 6). Charge the battery at a rate of 4 amperes or less for 4 hours (12 volts).

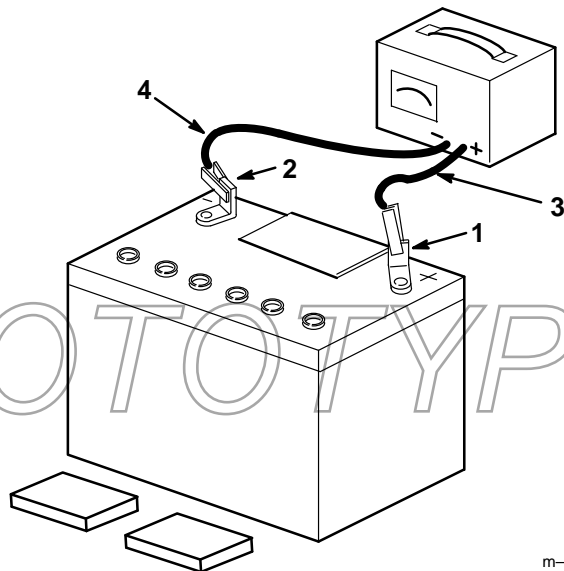


Figure 6

1. Positive post
2. Negative post
3. Charger red (+) wire
4. Charger black (-) wire

! WARNING

POTENTIAL HAZARD

- Charging battery produces gasses.

WHAT CAN HAPPEN

- Battery gasses can explode.

HOW TO AVOID THE HAZARD

- Keep cigarettes, sparks and flames away from battery.

4. When the battery is fully charged, disconnect the charger from the electrical outlet then from the negative and positive battery posts (Fig. 6).
5. Slowly pour electrolyte into each cell until the level is once again up to the “UPPER” line on the battery case (Fig. 5) and install covers.

Install Battery

6. Position battery in tray with terminal posts toward the engine (Fig. 7).
7. Slide the red terminal boot onto the positive (red) battery cable.
8. Install the positive (red) battery cable to positive (+) battery terminal then negative battery cable and ground wire to the negative (-) battery terminal.
9. Secure cables with (2) 1/4 x 3/4” (19 mm) bolts 1/4” washers and 1/4” locknuts (Fig. 7).
10. Secure battery with J-bolts, hold down clamp and (2) 1/4” washers and (2) 1/4” wing nuts (Fig. 7).
11. Position drain tube away from belts and other parts to prevent corrosion.

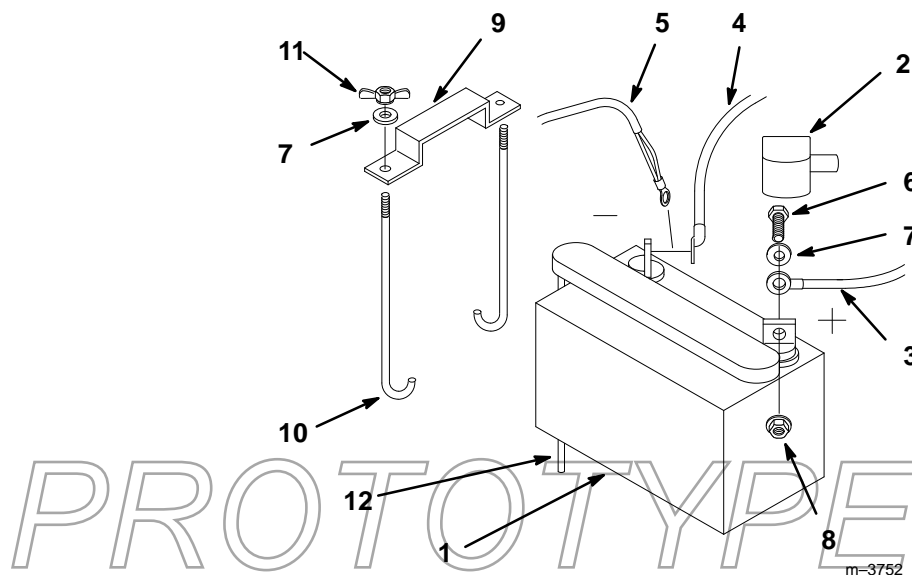


Figure 7

- | | |
|-------------------------------|-------------------|
| 1. Battery | 7. Washer 1/4” |
| 2. Terminal boot | 8. Locknut 1/4” |
| 3. Positive battery cable | 9. Battery clamp |
| 4. Negative battery cable | 10. J-bolts |
| 5. Ground wire | 11. Wing nut 1/4” |
| 6. Bolt 1/4–20 x 3/4” (19 mm) | 12. Drain Tube |

Hydraulic System

Checking the Hydraulic Fluid

Check the hydraulic fluid level before engine is first started.

Fluid Type: Mobil 1 15W-50 synthetic motor oil.

IMPORTANT: Use only oil specified. Other fluids could cause system damage.

Hydraulic System Oil Capacity: 2.1 qt. (2.0 l)

1. Position machine on a level surface and stop the engine and set the parking brake.
2. Clean area around filler neck of hydraulic tank (Fig. 8).
3. Remove cap from filler neck and look inside to check fluid level. Fluid level should be to the top of baffle inside the tank (Fig. 8).
4. If level is low, add fluid to raise level to full.
5. Install cap on filler neck.

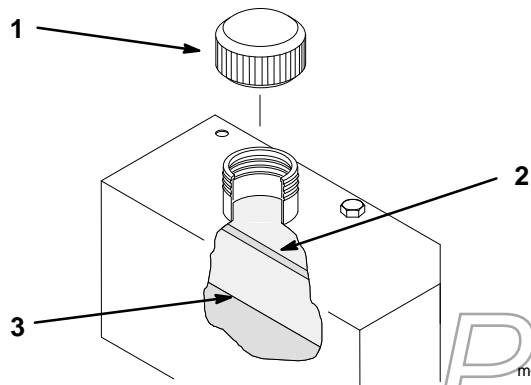


Figure 8

1. Cap
2. Baffle
3. Fluid level-Full

PROTOTYPE

Operation

Think Safety First

Please carefully read all the safety instructions on pages 2–10. Knowing this information could help you, your family, pets or bystanders avoid injury.

Controls

Become familiar with all the controls (Fig. 1) before you start the engine and operate the machine.

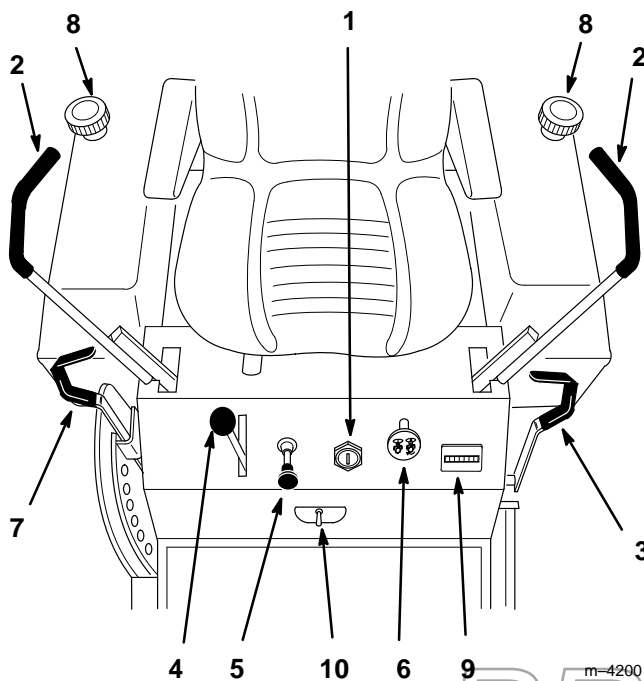


Figure 1

- | | |
|-------------------------|-------------------------|
| 1. Ignition switch | 6. Power take off (PTO) |
| 2. Motion control lever | 7. Height-of-Cut lever |
| 3. Parking brake lever | 8. Fuel cap |
| 4. Throttle | 9. Hourmeter |
| 5. Choke | 10. Fuel shut-off valve |

Parking Brake

Always set the parking brake when you stop the machine or leave it unattended.

IMPORTANT: Do not park on slopes unless wheels are chocked or blocked.

Setting the Parking Brake

1. Move the motion control levers (Fig. 1) out to the neutral lock position.
2. Pull back and up on the parking brake lever to set the parking brake (Fig. 2). The parking brake lever should stay firmly in the “ENGAGED” position.

Releasing the Parking Brake

1. Push forward and down on the parking brake lever to release the parking brake (Fig. 2). The parking brake is “DISENGAGED”.

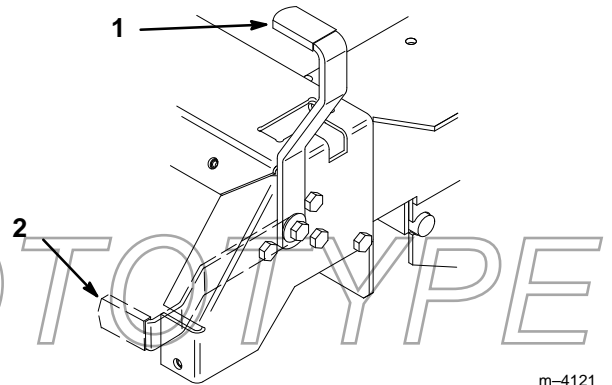


Figure 2

1. Parking brake-ON
2. Parking brake-OFF

Starting and Stopping the Engine

Starting

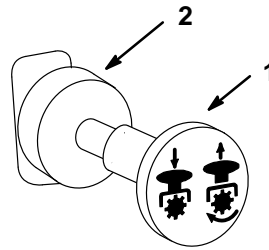
1. Sit down on the seat and move the motion controls to neutral locked position.
2. Set the parking brake; refer to Setting the Parking Brake, page 19.
3. Move the PTO (power take off) to “OFF” (Fig. 3).
4. Move the choke control to “ON” position before starting a cold engine.

Note: A warm or hot engine may require choking. After engine starts, move choke control to “OFF” position.

5. Move the throttle control to the “FAST” position before starting a cold engine.
6. Turn ignition key to “START” to energize starter. When engine starts, release key.

IMPORTANT: Do not engage starter for more than 10 seconds at a time. If engine fails to start allow 30 second cool-down period between attempts. Failure to follow these instructions can burn out starter motor.

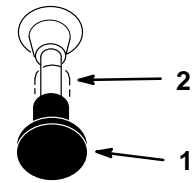
7. After the engine starts, move the choke to “OFF” (Fig. 4). If the engine stalls or hesitates, move the choke back to “ON” for a few seconds. Then move the throttle lever to desired setting. Repeat this as required.



m-4201

Figure 3

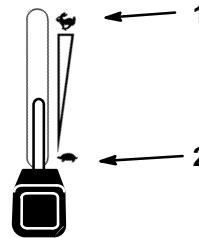
1. PTO-On
2. PTO-Off



m-2719

Figure 4

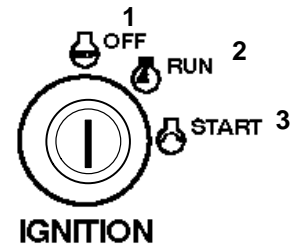
1. Choke-On
2. Choke-Off



m-2720

Figure 5

1. Fast
2. Slow



IGNITION

Figure 6

1. Off
2. Run
3. Start

PROTOTYPE

Stopping

1. Move the throttle lever to “SLOW” (Fig. 5).
2. Move the PTO (power take off) to “OFF” (Fig. 3).
3. Turn the ignition key to “OFF” (Fig. 6).

Note: If the engine has been working hard or is hot, let it idle for a minute before turning the ignition key “OFF.” This helps cool the engine before it is stopped. In an emergency, the engine may be stopped by turning the ignition key to “OFF.”

4. Pull wire off spark plug(s) to prevent possibility of someone accidentally starting the machine before transporting or storing machine.
5. Close fuel shut off valve, on front panel before transporting or storing machine.

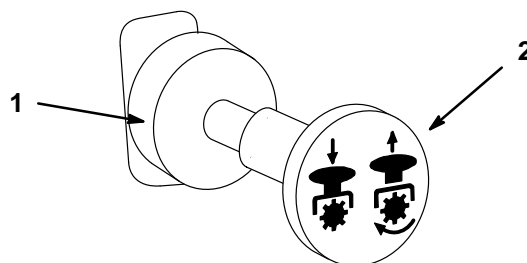
IMPORTANT: Make sure fuel shut off valve is closed before transporting or storing machine, as fuel leakage may occur.

Operating the Power Take Off (PTO)

The power take off (PTO) switch engages and disengages power to the electric clutch.

Engaging the PTO

1. Release pressure on the traction control levers and place in neutral.
2. Release the parking brake, page 19.
3. Pull out on the power take off (PTO) switch to engage (Fig. 7).



m-4201

Figure 7

1. PTO – Off
2. PTO – On

Disengaging the PTO

1. To disengage push the PTO switch to the “OFF” position (Fig. 7).

PROTOTYPE

The Safety Interlock System

Understanding the Safety Interlock System

The safety interlock system is designed to prevent the engine from starting unless:

- You are sitting on the seat
- The parking brake is on “ENGAGED”
- The power take off (PTO) is disengaged “OFF”
- The motion control levers are in neutral

The safety interlock system also is designed to stop the engine when the traction controls are moved with the parking brake on “ENGAGED” or if you rise from the seat when the PTO is “ON” engaged.

Testing the Safety Interlock System

Test the safety interlock system before you use the machine each time. If the safety system does not operate as described below, have an Authorized Service Dealer repair the safety system immediately.

1. Sitting on the seat, “ENGAGE” parking brake and move PTO “ON”. Try starting the engine; the engine should not crank.
2. Sitting on the seat, “ENGAGE” parking brake and move PTO “OFF”. Move either motion control lever (forward or reverse). Try starting the engine; the engine should not crank. Repeat with other motion control lever.
3. Sitting on the seat, “ENGAGE” parking brake, move PTO “OFF” and lock the motion control levers in neutral. Now start the engine. While the engine is running, release the parking brake, engage the PTO and rise slightly from the seat; the engine should stop.
4. Sitting on the seat, “ENGAGE” parking brake, PTO “OFF” and lock the motion control levers in neutral. Now start the engine. While the engine is running, center the motion controls and move (forward or reverse); the engine should stop.

PROTOTYPE

Driving Forward or Backward

The throttle control regulates the engine speed as measured in rpm (revolutions per minute). Place the throttle control in the “FAST” position for best performance. Always operate in the full throttle position

Forward

1. Release the parking brake; refer to Setting the Parking Brake, page 19.
2. Move levers to the center, un-locked position.
3. To go forward, slowly push the motion control levers forward (Fig. 8).

Note: Engine will kill if traction control levers are moved with parking brake engaged.

To go straight, apply equal pressure to both motion control levers (Fig. 8).

To turn, release pressure on the motion control lever toward the direction you want to turn (Fig. 8).

The farther you move the traction control levers in either direction, the faster the machine will move in that direction.

To stop pull the motion control levers to neutral.

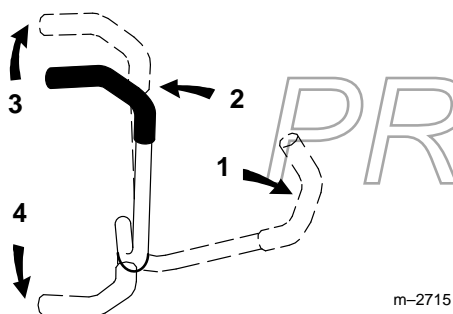


Figure 8

- | | |
|---|-------------|
| 1. Motion control lever-neutral lock position | 3. Forward |
| 2. Center un-lock position | 4. Backward |

Backward

1. Move levers to the center, un-locked position.
2. To go backward, slowly pull the motion control levers rearward (Fig. 8).

To go straight, apply equal pressure to both motion control levers (Fig. 8).

To turn, release pressure on the motion control lever toward the direction you want to turn (Fig. 8).

To stop push the motion control levers to neutral.

Stopping the Machine

To stop the machine, move the traction control levers to neutral and separate to lock, disengage the power take off (PTO), and turn the ignition key to “OFF” to stop the engine. Also set the parking brake when you leave the machine; refer to Setting the Parking Brake, page 19. Remember to remove the key from the ignition switch.

CAUTION

POTENTIAL HAZARD

- Someone could move or attempt to operate the tractor while it is unattended.

WHAT CAN HAPPEN

- Children or bystanders may be injured if they use the tractor.

HOW TO AVOID THE HAZARD

- Always remove the ignition key and set the parking brake when leaving the machine, even if just for a few minutes.

Instruments

Hour Meter

The hour meter records the number of hours the engine has operated. It operates when the engine is running. Use these times for scheduling regular maintenance.

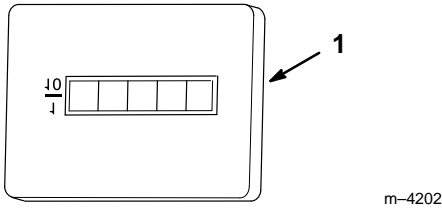


Figure 9

1. Hour meter
-

Fuel Tanks

The unit has two fuel tanks, located on the left and right sides. Each tank connects to the fuel shut off valve in the control panel. From there a common fuel line leads to the engine (Fig. 10).

To use the right side fuel tank rotate the fuel shut off valve 1/4 turn to the right from the off location. This uses fuel from the right side tank only. When the right fuel tank is empty, move the fuel shut off valve 1/4 turn to the left from the off position.

Close fuel shut off valve, on front panel before transporting or storing machine.

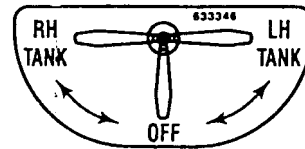


Figure 10

1. Shut off valve
-

PROTOTYPE

Adjusting Height-of-Cut

The height-of-cut is adjusted from 1-1/2" to 5" (38 to 127 mm) in 1/4" (6 mm) increments by relocating clevis pin in different hole locations.

1. Raise the height-of-cut lever to the transport position (also the 5" (127 mm) cutting height position) (Fig. 11).
2. To adjust, remove hairpin cotter and clevis pin from height-of-cut bracket (Fig. 11).
3. Select hole in height-of-cut bracket corresponding to the height-of-cut desired. Lift handle to transport position, insert clevis pin (Fig. 11).
4. Secure clevis pin with hairpin cotter (Fig. 11).

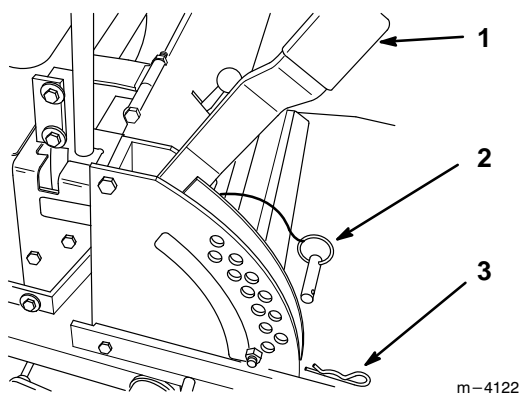


Figure 11

1. Height of cut lever
2. Clevis Pin
3. Hairpin Cotter

Adjusting Anti-Scalp Rollers

Whenever you change the height-of-cut it is recommended to adjust the height of the anti-scalp rollers.

Note: There are two different ways that the rollers are fastened. Check which type you have. You tell by identifying the fastener (Fig. 12 and 13).

Bolt Method

1. Disengage the power take off (PTO) and turn the ignition key to "OFF". Move controllers to neutral locked position and apply parking brake.
2. After adjusting height-of-cut remove roller from deck mount (Fig. 12).
3. Select hole so gage wheel is positioned to the nearest corresponding height-of-cut desired (Fig. 12).

Note: Do not adjust rollers to support the deck.

4. Reinstall the bolt, roller, nut and washers (Fig. 12). Be sure bolt is tightened securely or loss of anti-scalp roller may result.
5. Repeat adjustment on other gage wheels.

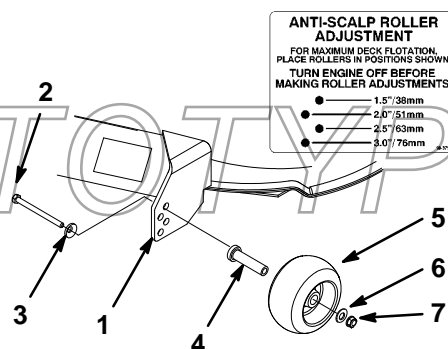


Figure 12

1. Mounting Bracket
2. Bolt 3/8-16 x 4" (102 mm)
3. Spring washer 3/8"
4. Bushing
5. Roller
6. Washer 3/8"
7. Flange nut 3/8-16

Stud Method

1. Disengage the power take off (PTO) and turn the ignition key to “OFF” to stop the engine. Move controllers to neutral locked position and apply parking brake. Remove the key.
2. After adjusting height-of-cut remove nut and washer while holding stud with wrench (Fig. 13).

Note: Do not remove the wheel nut and washer (Fig. 13).

3. Select hole so gage wheel is positioned to the nearest corresponding height-of-cut desired (Fig. 12).
4. Reinstall the stud nut and washer (Fig. 13).
5. Repeat adjustment on other gage wheels.

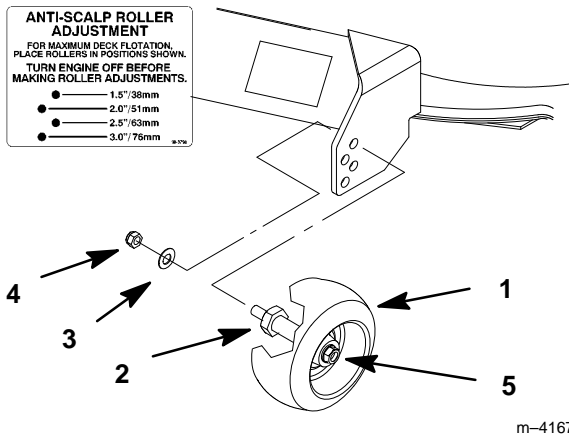


Figure 13

- | | |
|---------------|--|
| 1. Gage Wheel | 4. Nut |
| 2. Stud | 5. Wheel nut and washer.
Do Not Remove. |
| 3. Washer | |

Center Rollers

1. Disengage the power take off (PTO) and turn the ignition key to “OFF”. Move controllers to neutral locked position and apply parking brake.

1. After adjusting height-of-cut, remove bolt and nut (Fig. 14).
2. Select hole so gage wheel is positioned to the nearest corresponding height-of-cut desired (Fig. 14).

Note: Do not adjust rollers to support the deck.

3. Reinstall the bolt, center rollers and nut (Fig. 14).

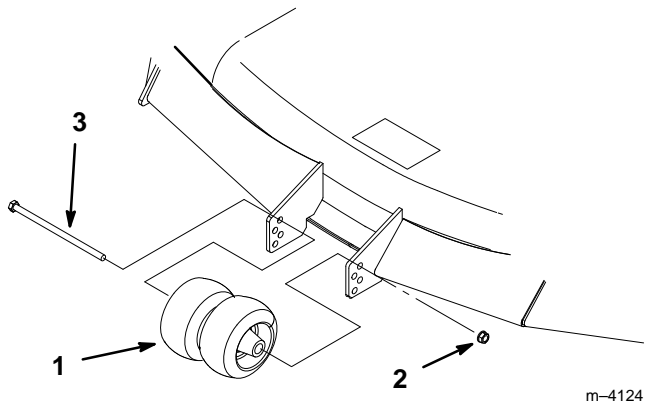


Figure 14

- | | |
|------------------------------|---------|
| 1. Center Rollers and Spacer | 3. Bolt |
| 2. Nut | |

PROTOTYPE

Positioning the Seat

The seat can move forward and backward. Position the seat where you have the best control of the machine and are most comfortable.

1. To adjust, move the lever sideways to unlock seat (Fig. 15).
2. Slide the seat to the desired position and release lever to lock in position.

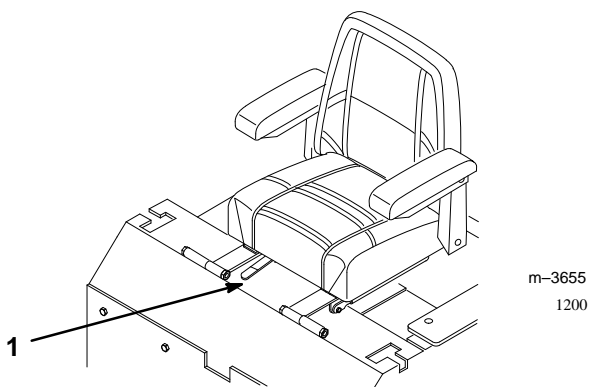


Figure 15

1. Adjustment knob

Pushing the Machine by Hand

IMPORTANT: Always push the machine by hand. Never tow the machine because hydraulic damage may occur.

To Push the Machine

1. Disengage the power take off (PTO) and turn the ignition key to “OFF” to stop the engine.
2. Rotate the by-pass valves counterclockwise 1 turn to push. This allows hydraulic fluid to by-pass the pump enabling the wheels to turn (Fig. 16).

IMPORTANT: Never rotate by-pass valve more than 2 turns so the valve does not come out of the body causing fluid to run out.

To Operate the Machine

1. Turn the by-pass valves in to operate (Fig. 16).

Note: The machine will not drive unless by-pass valves are turned in.

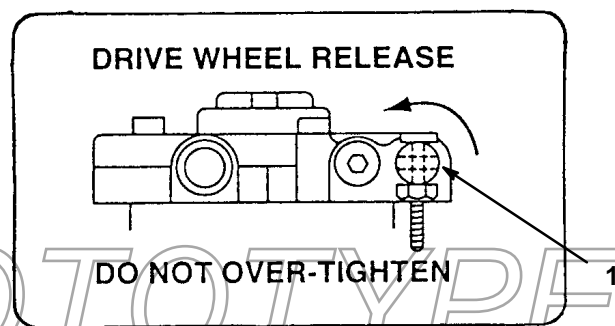


Figure 16

1. By-pass valve

Side Discharge

The mower has a hinged grass deflector that disperses clippings to the side and down toward the turf.

DANGER

POTENTIAL HAZARD

- **Without the grass deflector or complete grass catcher assembly mounted in place, you and others are exposed to blade contact and thrown debris.**

WHAT CAN HAPPEN

- **Contact with rotating mower blade(s) and thrown debris will cause injury or death.**

HOW TO AVOID THE HAZARD

- **NEVER remove the grass deflector from the mower because the grass deflector routes material down toward the turf. If the grass deflector is ever damaged, replace it immediately.**
- **Never put your hands or feet under the mower.**
- **Never try to clear discharge area or mower blades unless you move the power take off (PTO) to “OFF” and rotate the ignition key to “OFF.” Also remove the key and pull the wire(s) off the spark plug(s).**

PROTOTYPE

Tips for Mowing Grass

Fast Throttle Setting

For best mowing and maximum air circulation, operate the engine at “FAST.” Air is required to thoroughly cut grass clippings, so do not set the height-of-cut so low as to totally surround the mower by uncut grass. Always try to have one side of the mower free from uncut grass, which allows air to be drawn into the mower.

Cutting a Lawn for the First Time

Cut grass slightly longer than normal to ensure the cutting height of the mower does not scalp any uneven ground. However, the cutting height used in the past is generally the best one to use. When cutting grass longer than six inches tall, you may want to cut the lawn twice to ensure an acceptable quality of cut.

Cut 1/3 of the Grass Blade

It is best to cut only about 1/3 of the grass blade. Cutting more than that is not recommended unless grass is sparse, or it is late fall when grass grows more slowly.

Mowing Direction

Alternate mowing direction to keep the grass standing straight. This also helps disperse clippings which enhances decomposition and fertilization.

Mow at Correct Intervals

Normally, mow every four days. But remember, grass grows at different rates at different times. So to maintain the same cutting height, which is a good practice, mow more often in early spring. As the grass growth rate slows in mid summer, mow less frequently. If you cannot mow for an extended period, first mow at a high cutting height; then mow again two days later at a lower height setting.

Cutting Speed

To improve cut quality, use a slower ground speed.

Avoid Cutting Too Low

If the cutting width of the mower is wider than the mower you previously used, raise the cutting height to ensure that uneven turf is not cut too short.

Long Grass

If the grass is ever allowed to grow slightly longer than normal, or if it contains a high degree of moisture, raise the cutting height higher than usual and cut the grass at this setting. Then cut the grass again using the lower, normal setting.

When Stopping

If the machine’s forward motion must be stopped while mowing, a clump of grass clippings may drop onto your lawn. To avoid this, move onto a previously cut area with the blades “ENGAGED”.

Keep the Underside of the Mower Clean

Clean clippings and dirt from the underside of the mower after each use. If grass and dirt build up inside the mower, cutting quality will eventually become unsatisfactory.

Blade Maintenance

Maintain a sharp blade throughout the cutting season because a sharp blade cuts cleanly without tearing or shredding the grass blades. Tearing and shredding turns grass brown at the edges, which slows growth and increases the chance of disease. Check the cutter blades daily for sharpness, and for any wear or damage. File down any nicks and sharpen the blades as necessary. If a blade is damaged or worn, replace it immediately with a genuine TORO replacement blade.

Maintenance

Service Interval Chart

Service Operation	Each Use	8 Hours	25 Hours	50 Hours	100 Hours	200 Hours	Storage Service
Hydraulic fluid—check level	Initial	Initial	X				X
Oil—check level	X						X
Oil—change*		Initial			X		X
Oil Filter—change (200 hours or every other oil change)						X	X
Hydraulic filter—change		Initial				X	X
Safety System—check	X						X
Chassis—grease*			X				X
Linkage bushings—oil*			X				X
Foam Air Cleaner—service*			X				X
Paper Air Cleaner—service*			X				X
Paper Air Cleaner—replace*					X		X
Spark Plug(s)—check					X		X
Belts—check for wear/cracks			X				X
Gasoline—drain							X
Cooling systems—clean	X			X			X
Hydraulic lines—check					X		X
Battery—check electrolyte			X				X
Battery—charge, Disconnect cables							X
Fuel Filter—replace						X	X
Tires—check pressure			X				X
Chipped Surfaces—paint							X
Cutting Blades – check		X					X
Blade Spindle Bearings – grease		X					X
Mower Housing – clean	X						X
* More often in dusty, dirty conditions							

 **CAUTION**
POTENTIAL HAZARD

- If you leave the key in the ignition switch, someone could start the engine.

WHAT CAN HAPPEN

- Accidental starting of the engine could seriously injure you or other bystanders.

HOW TO AVOID THE HAZARD

- Remove the key from the ignition switch and pull the wire(s) off the spark plug(s) before you do any maintenance. Also push the wire(s) aside so it does not accidentally contact the spark plug(s).

Cutting Blades

Maintain a sharp blade throughout the cutting season because a sharp blade cuts cleanly without tearing or shredding the grass blades. Tearing and shredding turns grass brown at the edges, which slows growth and increases the chance of disease.

Check the cutter blades daily for sharpness, and for any wear or damage. File down any nicks and sharpen the blades as necessary. If a blade is damaged or worn, replace it immediately with a genuine TORO replacement blade. For convenient sharpening and replacement, you may want to keep extra blades on hand.

Before Inspecting or Servicing the Blades

Park the machine on a level surface, disengage the blade control (PTO) and set the parking brake. Turn the ignition key to “OFF” to stop the engine. Remove the key and disconnect the spark plug wire(s) from the spark plug(s).

 **WARNING**
POTENTIAL HAZARD

- A blade that is worn or damaged could break apart and pieces could be thrown at bystanders or at you as you use the mower.

WHAT CAN HAPPEN

- Pieces of blade that may be thrown could seriously injure or kill you or bystanders.

HOW TO AVOID THE HAZARD

- Periodically inspect the blade for wear and damage. Immediately install a new blade if it is worn or damaged.

PROTOTYPE

Inspecting the Blades

1. Inspect the cutting edges (Fig 17). If the edges are not sharp or have nicks, remove and sharpen the blades. Refer to Sharpening the Blades on page 33.
2. Inspect the blades, especially the curved area (Fig. 17). If you notice any damage, wear, or a slot forming in this area (item 3 in Fig. 17), immediately install a new blade.

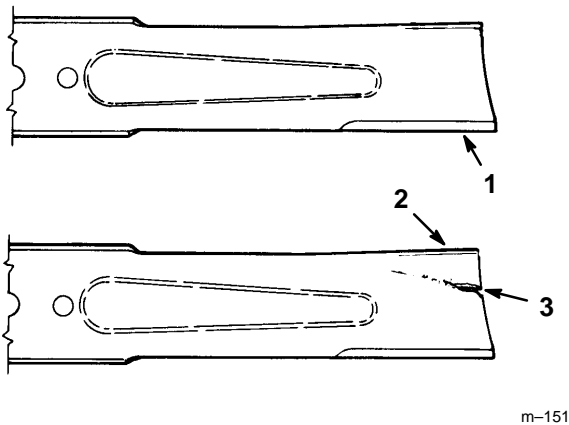


Figure 17

1. Cutting Edge
2. Curved Area
3. Wear/slot Forming

Checking for Bent Blades

1. Stop the engine, set the parking brake, remove the key and disconnect the spark plug wire(s) from the spark plug(s).
2. Rotate the blades until the ends face forward and backward (Fig. 18). Measure from a level surface to the cutting edge of the blades (Fig. 19). Note this dimension.

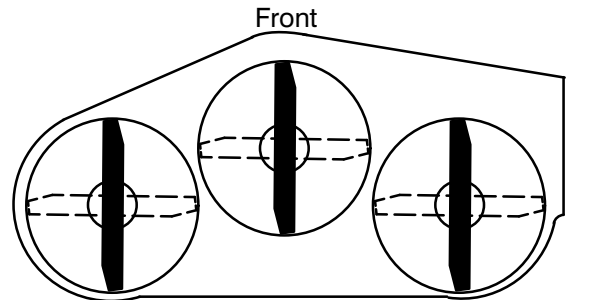
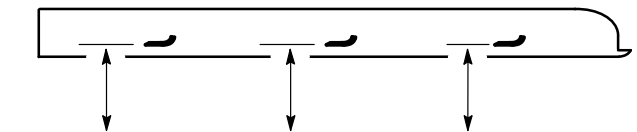


Figure 18

m-1078



MEASURE FROM
CUTTING EDGE TO A
LEVEL SURFACE

Figure 19

m-2539

3. Rotate the opposite ends of the blades forward. Measure from a level surface to the cutting edge of the blades at the same position as in step 1 above. The difference between the dimensions obtained in steps 1 and 2 must not exceed 1/8" (3 mm). If this dimension exceeds 1/8" (3 mm), the blade is bent and must be replaced. Refer to Removing the Blades, and Installing the Blades on page 33.

! WARNING

POTENTIAL HAZARD

- A blade that is bent or damaged could break apart and pieces could be thrown at bystanders or at you as you use the mower.

WHAT CAN HAPPEN

- Pieces of blade that may be thrown could seriously injure or kill you or bystanders.

HOW TO AVOID THE HAZARD

- Always replace bent or damaged blade with a new blade.
- Never file or create sharp notches in the edges or surfaces of blade.

Removing the Blades

Blades must be replaced if a solid object is hit, if the blade is out of balance or is bent. To ensure optimum performance and continued safety conformance of the machine, use genuine TORO replacement blades. Replacement blades made by other manufacturers may result in non-conformance with safety standards.

Hold the blade end using a rag or thickly-padded glove. Remove the blade bolt, lock washer, flat washer and blade from the spindle shaft (Fig. 20).

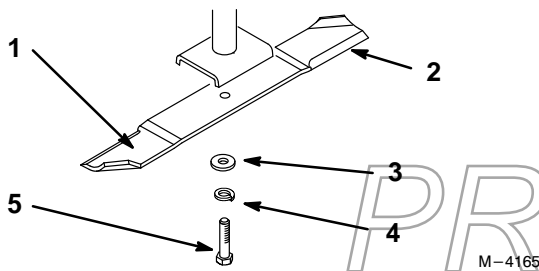


Figure 20

- | | |
|-----------------------|----------------|
| 1. Sail Area of Blade | 4. Lock Washer |
| 2. Blade | 5. Blade Bolt |
| 3. Flat Washer | |

Sharpening the Blades

1. Use a file to sharpen the cutting edge at both ends of the blade (Fig. 21). Maintain the original angle. The blade retains its balance if the same amount of material is removed from both cutting edges.



Figure 21

1. Sharpen at original angle

2. Check the balance of the blade by putting it on a blade balancer (Fig. 22). If the blade stays in a horizontal position, the blade is balanced and can be used. If the blade is not balanced, file some metal off the end of the sail area only (Fig. 20). Repeat this procedure until the blade is balanced.

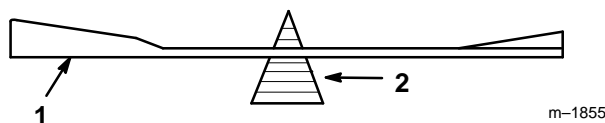


Figure 22

1. Blade
2. Balancer

Installing the Blades

1. Install the blade onto the spindle shaft (Fig. 20).
IMPORTANT: The curved part of the blade must be pointing upward toward the inside of the mower to ensure proper cutting.
2. Install the flat washer, lock washer and blade bolt (Fig. 20). Torque the blade bolt to 85–110 ft-lb (115–150 N•m).

Mower Leveling

1. Position mower on a flat surface. Stop the engine, set the parking brake, remove the key and disconnect the spark plug wire(s) from the spark plug(s).
2. Check tire pressure of all four (4) tires. If needed, adjust to 13 psi (90 kPa)
3. Set anti-scalp rollers to top holes or remove them completely for this adjustment.
4. Raise the deck to the transport position (Fig. 23). Take force off of the two large deck lift springs by loosening jam nut and front spring nut, in front of each spring, as far as possible (Fig. 24).
5. Place two 1-3/8" (35 mm) thick blocks under rear left and right lower edge of mower. Place one 1-3/4" (44 mm) block under front center lower edge of mower. Not under anti-scalp roller brackets. Lower mower to the 1-1/2" (38 mm) height-of-cut position (Fig. 23).

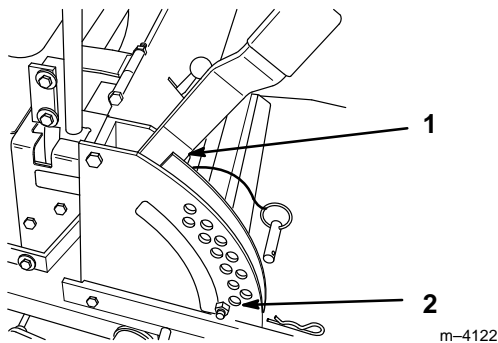


Figure 23

1. Transport position
 2. 1-1/2" (38 mm) height-of-cut
6. Loosen bottom chain bolt in slot at rear of deck. Repeat for opposite side. (Fig. 24).
Note: Do not loosen front chain hardware.
 7. Loosen front and rear locking nut on either side of front swivel. Loosen until front chains are loose and deck is supported by blocks. Repeat for opposite side. (Fig. 24).

Note: When hardware is loose, deck will rotate the lift handle up out of position.

8. When hardware is loosened, remaining tension in the large support springs will tend to rotate the deck lift handle up, out of the 1-1/2" position. Press down on the rear deck support arm to firmly return the deck lift handle to the 1-1/2" position (Fig. 24).

Note: Do not push on deck lift handle.

9. While continuing to press down on rear deck support arm, take the slack out of the rear chain and tighten hardware at the bottom (Fig. 24). Downward pressure may now be released. Repeat for opposite side.
10. Adjust front swivel using rear locking nut until the front chain is tight and front of deck is still touching block. Tighten front locking nut. Repeat for opposite side.

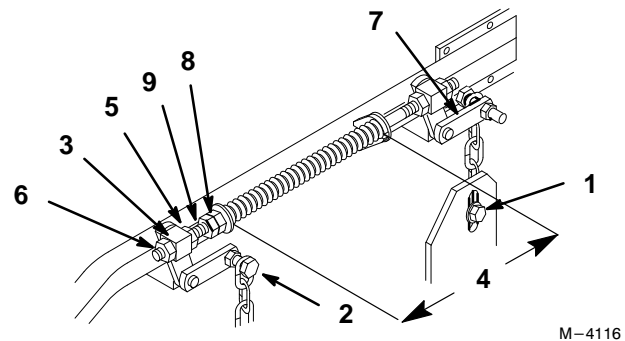


Figure 24

1. Bottom chain bolt
2. Spring tension bolts
3. Front swivel
4. 10-1/4" (260 mm) spring compressed
5. Rear Locking Nut
6. Front Locking Nut
7. Rear Deck Support Arm
8. Front Spring Nut
9. Jam Nut

11. Recheck that blocks fit just snugly under the mower and that tension on all four chains are approximately equal.

12. Raise deck to 3 inch height of cut and measure actual height from blade tips to ground. Height of cut for the front blade tips should be $3.00 \pm .125$ (76mm \pm 3mm). Height of cut for rear blade tips should be $3.25 \pm .125$ (83mm \pm 3mm). Readjust if needed.

Note: When checking blade tip heights make sure blades are not bent and check blade pointing front to rear.

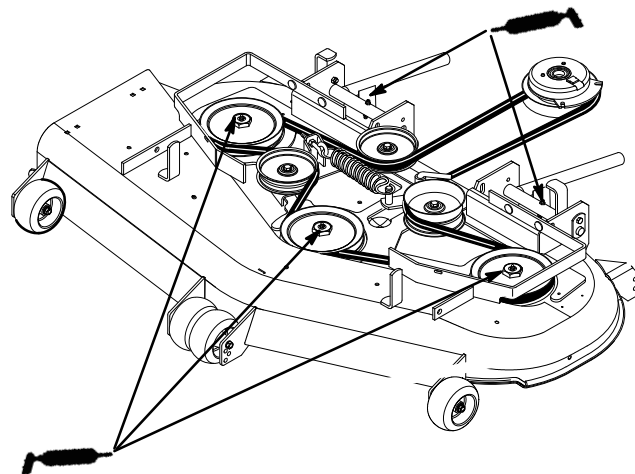
13. Install anti-scalp rollers for proper height-of-cut and tighten securely. See Adjusting Anti Scalp Rollers on page 25.
14. Raise deck lift lever to the transport position, (Fig. 23).
15. Adjust compression springs by turning the front spring nuts so the distance between the two large washers is 10-1/4" (260 mm). Then tighten jam nut (Fig. 24).

Note: Make sure all hardware is tight.

Greasing the Bearings

The cutting unit must be lubricated regularly. Refer to the Service Interval Chart on page 30. Grease with No. 2 general purpose lithium base or molybdenum base grease.

1. Stop the engine, set the parking brake, remove the key and disconnect the spark plug wire(s) from the spark plug(s).
2. Grease the fittings on the three spindle bearings (Fig. 25).
3. Grease the fittings on the push arms (Fig. 25).



M-4159

Figure 25

PROTOTYPE

Replacing the Grass Deflector

1. Stop the engine, set the parking brake, remove the key and disconnect the spark plug wire(s) from the spark plug(s).
2. Remove the locknuts, bolts and springs holding the deflector mounts to the pivot brackets (Fig. 26).
3. If the pivot brackets need to be replaced, remove the carriage bolts and cone locknuts holding the old brackets to the top of the discharge opening, then install the replacement pivot brackets. Make sure the carriage bolt heads are on the inside of the cutting unit (Fig. 26).
4. Install the deflector mounts onto the pivot brackets with the bolts, springs and locknuts. Make sure the straight ends of the springs are positioned between the deflector mounts and the grass deflector (Fig. 26).
5. Tighten the locknuts until they contact the pivot brackets (Fig. 26).

IMPORTANT: The grass deflector must be spring-loaded in the down position. Lift the deflector up to test that it snaps to the full down position.

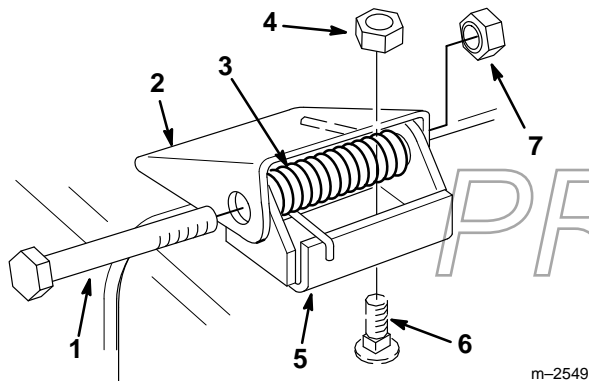


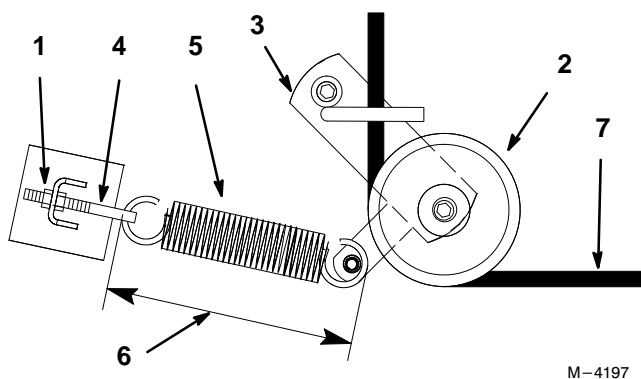
Figure 26

- | | |
|--------------------|------------------|
| 1. Bolt | 5. Pivot Bracket |
| 2. Deflector Mount | 6. Carriage Bolt |
| 3. Spring | 7. Locknut |
| 4. Cone Locknut | |

Replacing the Deck Belt

Squealing when the belt is rotating, blades slipping when cutting grass, frayed belt edges, burn marks and cracks are signs of a worn deck belt. Replace the deck belt if any of these conditions are evident.

1. Stop the engine, set the parking brake, remove the key and disconnect the spark plug wire(s) from the spark plug(s).
2. Remove belt covers over outside spindles.
3. Loosen outer nut on spring eye bolt (Fig. 27).



M-4197

Figure 27

Top View

- | | |
|--------------------|----------------------------------|
| 1. Outer Nut | 5. Spring |
| 2. Idler Pulley | 6. 9.375 ± .125 (238 mm ± .3 mm) |
| 3. Idler Arm | 7. Deck Belt |
| 4. Spring Eye Bolt | |

4. Remove belt. Start at outside pulley and rotate off (Fig. 28).

Note: Do not remove spring.

⚠ CAUTION

POTENTIAL HAZARD

- Spring is under tension when installed.

WHAT CAN HAPPEN

- Stored spring energy can cause personal injury.

HOW TO AVOID THE HAZARD

- Do not remove spring from spring eye bolt.

5. Remove spring loaded idler pulley (Fig. 27).
6. Route new belt through idler arm (Fig. 27).
7. Reinstall idler pulley and route belt onto other pulleys (Fig. 28).
8. Retighten outer nut on spring eye bolt (Fig. 27).

Note: Check spring length. The spring should measure 9.375" ± .125" (238 mm ± .3 mm) when installed. Adjust if it does not (Fig. 27).

9. Install belt covers over outside spindles.

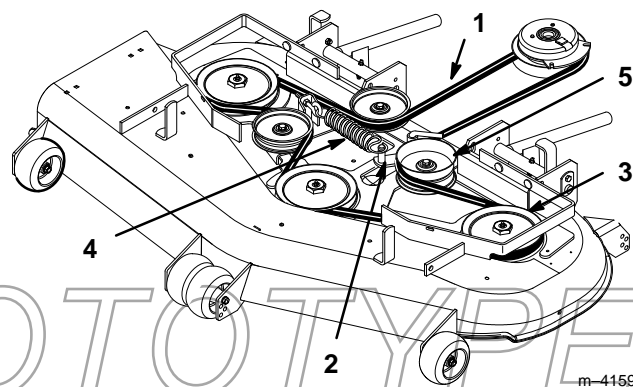


Figure 28

Top View

- | | |
|-------------------|-----------------|
| 1. Deck Belt | 4. Spring |
| 2. Idler Arm | 5. Idler Pulley |
| 3. Outside Pulley | |

Air Cleaner

Foam Element: Clean and re-oil after every 25 operating hours.

Paper Element: Replace after every 100 operating hours.

Note: Service the air cleaner more frequently (every few hours) if operating conditions are extremely dusty or sandy.

Removing the Foam and Paper Elements

1. Disengage the power take off (PTO), set the parking brake, and turn the ignition key to "OFF" to stop the engine. Remove the key.
2. Clean around the air cleaner to prevent dirt from getting into the engine and causing damage. Unscrew the knob and remove the air cleaner cover (Fig. 29).

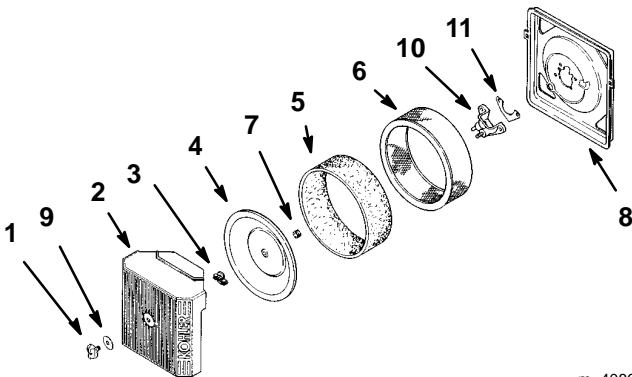


Figure 29

- | | |
|----------------------|---------------------|
| 1. Knob | 7. Rubber seal |
| 2. Air cleaner cover | 8. Air cleaner base |
| 3. Cover nut | 9. Knob Gasket |
| 4. Cover | 10. Spitback Cup |
| 5. Foam element | 11. Spitback Gasket |
| 6. Paper element | |

3. Carefully slide the foam element off the paper element (Fig. 29).
4. Unscrew the cover nut and remove the cover and paper element (Fig. 29).

Cleaning the Foam and Paper Elements

1. Foam Element
 - A. Wash the foam element in liquid soap and warm water. When the element is clean, rinse it thoroughly.
 - B. Dry the element by squeezing it in a clean cloth (do not wring).
 - C. Put one or two ounces of oil on the element (Fig. 30). Squeeze the element to distribute the oil.

IMPORTANT: Replace the foam element if it is torn or worn.

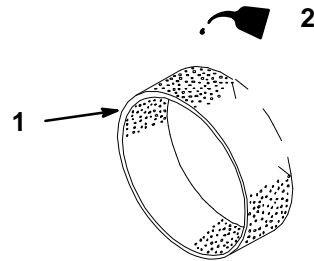


Figure 30

- | | |
|-----------------|--------|
| 1. Foam element | 2. Oil |
|-----------------|--------|

m-1213

m-4086

PROTOTYPE

2. Paper Element

- A. Lightly tap the element on a flat surface to remove dust and dirt (Fig. 31).
- B. Inspect the element for tears, an oily film, and damage to the rubber seal.

IMPORTANT: Never clean the paper element with pressurized air or liquids, such as solvent, gas, or kerosene. Replace the paper element if it is damaged or cannot be cleaned thoroughly.

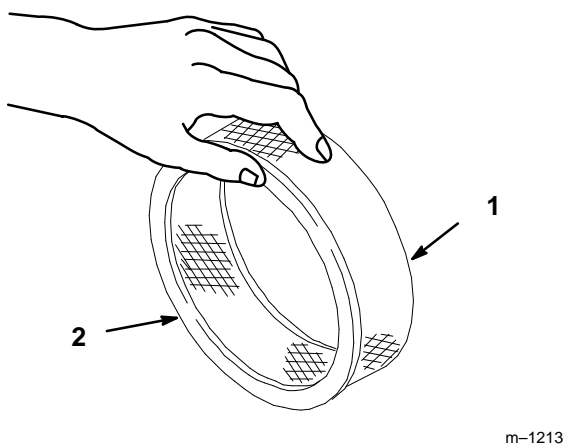


Figure 31

1. Paper element
2. Rubber seal

Engine Oil

Change oil:

- After the first 5 operating hours.
- After every 100 operating hours.

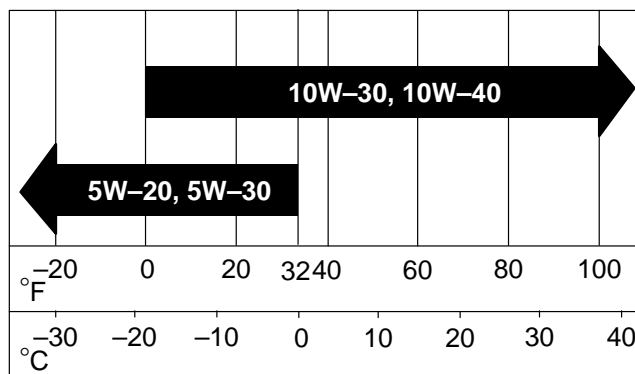
Note: Change oil more frequently when operating conditions are extremely dusty or sandy.

Oil Type: Detergent oil (API service SG or SH)

Crankcase Capacity: w/filter, 2.1 qt. (2 l)

Viscosity: See table below

USE THESE SAE VISCOSITY OILS



Installing the Foam and Paper Elements

IMPORTANT: To prevent engine damage, always operate the engine with the complete foam and paper air cleaner assembly installed.

1. Carefully slide the foam element onto the paper air cleaner element (Fig. 29).
2. Place the air cleaner assembly onto the air cleaner base (Fig. 29).
3. Install the air cleaner cover and secure with cover nut (Fig. 29).

PROTOTYPE

Checking Oil Level

1. Park the machine on a level surface, disengage the power take off (PTO) and turn the ignition key to “OFF” to stop the engine. Remove the key.
2. Clean around the oil dipstick (Fig. 32) so dirt cannot fall into the filler hole and damage the engine.
3. Unscrew the oil dipstick and wipe the metal end clean (Fig. 32).
4. Slide the oil dipstick fully into the filler tube, do not thread onto tube (Fig. 32). Pull the dipstick out and look at the metal end. If oil level is low, slowly pour only enough oil into the filler tube to raise the level to the “FULL” mark.

IMPORTANT: Do not overfill the crankcase with oil because the engine may be damaged.

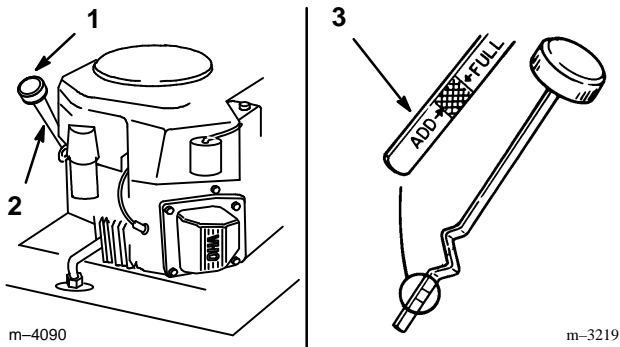


Figure 32

1. Oil dipstick
2. Filler tube

3. Metal end

Changing/Draining Oil

1. Start the engine and let it run five minutes. This warms the oil so it drains better.
2. Park the machine so that the drain side is slightly lower than the opposite side to assure the oil drains completely. Then disengage the power take off (PTO), set the parking brake, and turn the ignition key to “OFF” to stop the engine. Remove the key.
3. Place a pan below the oil drain. Remove the oil drain cap (Fig. 33).
4. When oil has drained completely, install the drain cap.

Note: Dispose of the used oil at a certified recycling center.

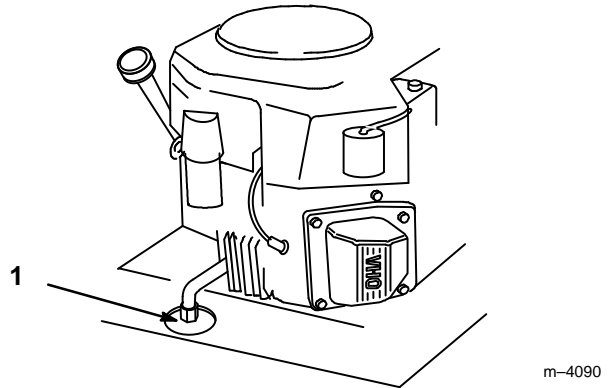


Figure 33

1. Oil drain cap

5. Slowly pour approximately 80% of the specified amount of oil specified, page 39, into the filler tube (Fig. 32). Now check the oil level; refer to Checking Oil Level, page 40. Slowly add additional oil to bring to “FULL” mark on dipstick.

Change Oil Filter

Replace the oil filter every 200 hours or every other oil change.

Note: Change oil filter more frequently when operating conditions are extremely dusty or sandy.

1. Drain the oil from the engine; refer to Changing/Draining Oil, page 40.
2. Remove the old filter and wipe the filter adapter (Fig. 34) gasket surface.
3. Pour new oil of the proper type in through the center hole. Stop pouring when the oil reaches the bottom of the threads. Allow a minute or two for the oil to be absorbed by filter material.
4. Apply a thin coat of new oil to the rubber gasket on the replacement filter (Fig. 34).

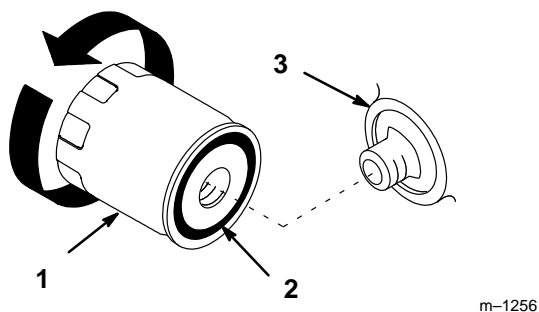


Figure 34

1. Oil filter
2. Gasket
3. Adapter

5. Install the replacement oil filter to the filter adapter. Turn the oil filter clockwise until the rubber gasket contacts the filter adapter, then tighten the filter an additional 1/2 turn (Fig. 34).
6. Fill the crankcase with the proper type of new oil; refer to Changing/Draining Oil, page 40.

Spark Plug

Check the spark plug(s) after every 200 operating hours. Make sure the air gap between the center and side electrodes is correct before installing the spark plug. Use a spark plug wrench for removing and installing the spark plug(s) and a gapping tool/feeler gauge to check and adjust the air gap. Install a new spark plug(s) if necessary.

Type: Champion RC12YC (or equivalent) Air Gap: 0.030 in. (0.76 mm)

Removing the Spark Plug(s)

1. Disengage the power take off (PTO), set the parking brake, and turn the ignition key to "OFF" to stop the engine. Remove the key.
2. Pull the wire(s) off the spark plug(s) (Fig. 35). Now clean around the spark plug(s) to prevent dirt from falling into the engine and potentially causing damage.
3. Remove the spark plug(s) and metal washer.

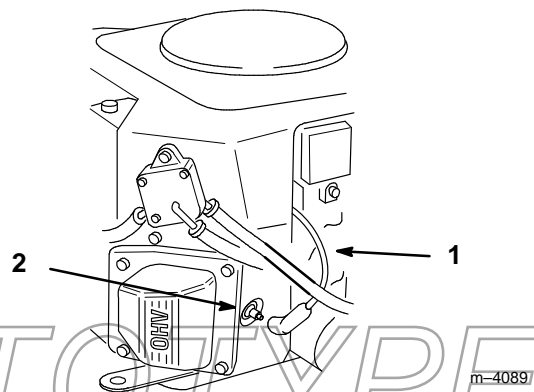


Figure 35

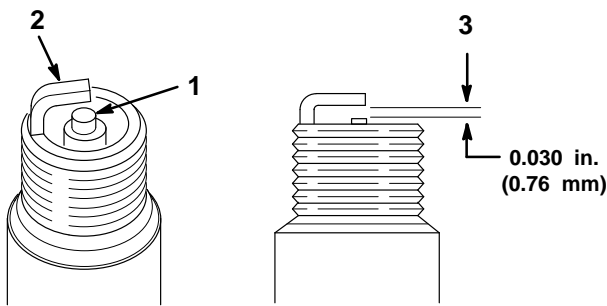
1. Spark plug wire
2. Spark plug

Checking the Spark Plug

1. Look at the center of the spark plug(s) (Fig. 36). If you see light brown or gray on the insulator, the engine is operating properly. A black coating on the insulator usually means the air cleaner is dirty.

IMPORTANT: Never clean the spark plug(s). Always replace the spark plug(s) when it has a black coating, worn electrodes, an oily film, or cracks.

2. Check the gap between the center and side electrodes (Fig. 36). Bend the side electrode (Fig. 36) if the gap is not correct.



m-3215

Figure 36

1. Center electrode insulator
2. Side electrode
3. Air gap (not to scale)

Installing the Spark Plug(s)

1. Install the spark plug(s). Make sure the air gap is set correctly.
2. Tighten the spark plug(s) to 20 ft-lb (27 N.m).
3. Push the wire(s) onto the spark plug(s) (Fig. 35).

Greasing and Lubrication

Lubricate the machine when shown on the CHECK SERVICE REFERENCE AID decal (Fig. 37). Grease more frequently when operating conditions are extremely dusty or sandy.

Grease Type: General-purpose grease.

How to Grease

1. Disengage the power take off (PTO) and turn the ignition key to "OFF" to stop the engine. Remove the key.
2. Clean the grease fittings with a rag. Make sure to scrape any paint off the front of the fitting(s).
3. Connect a grease gun to the fitting. Pump grease into the fittings until grease begins to ooze out of the bearings.
4. Wipe up any excess grease.

Where to Add Grease

Lubricate the grease fittings as shown on the CHECK SERVICE REFERENCE AID decal (Fig. 37).

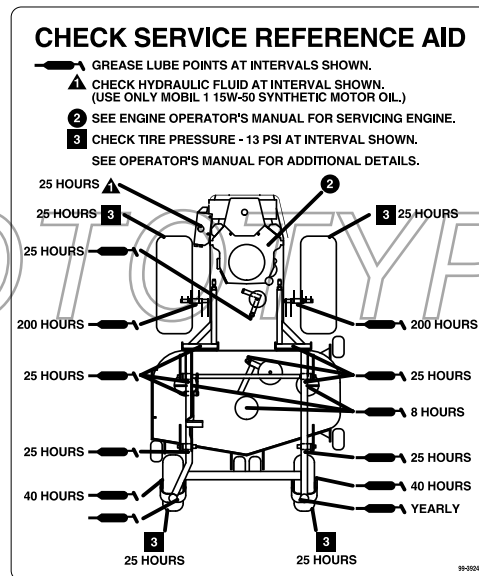
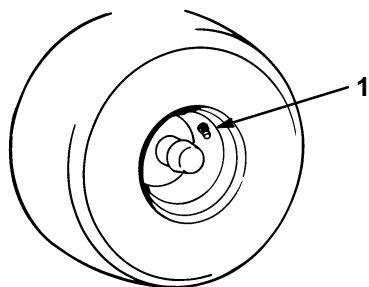


Figure 37

Tire Pressure

Maintain the air pressure in the front and rear tires as specified. Uneven tire pressure can cause uneven cut. Check the pressure at the valve stem after every 50 operating hours or monthly, whichever occurs first (Fig. 38). Check the tires when they are cold to get the most accurate pressure reading.

Pressure: 13 psi (90 kPa) drive wheels and castor wheels.



m-1872

Figure 38

1. Valve stem

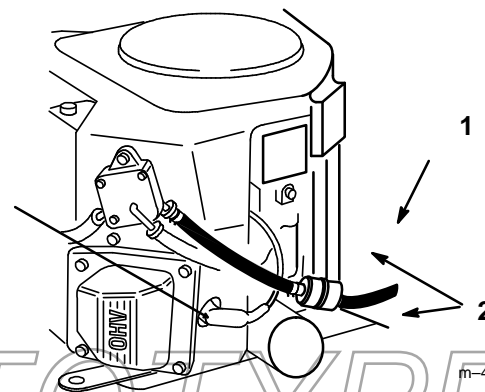
Fuel Filter

Replace the fuel filter after every 200 operating hours or yearly, whichever occurs first.

Replacing the Fuel Filter

Never install a dirty filter if it is removed from the fuel line.

1. Disengage the power take off (PTO), set the parking brake, and turn the ignition key to "OFF" to stop the engine. Remove the key.
2. Close fuel shut-off valve on console.
3. Squeeze the ends of the hose clamps together and slide them away from the filter (Fig. 39).
4. Remove the filter from the fuel lines.
5. Install a new filter and move the hose clamps close to the filter (Fig. 40).
6. Open fuel shut-off valve on console.



m-4088

Figure 39

1. Filter

2. Hose clamp

Fuel Tank

Draining The Fuel Tank

DANGER

POTENTIAL HAZARD

- In certain conditions gasoline is extremely flammable and highly explosive.

WHAT CAN HAPPEN

- A fire or explosion from gasoline can burn you, others, and cause property damage.

HOW TO AVOID THE HAZARD

- Drain gasoline from the fuel tank when the engine is cold. Do this outdoors in an open area. Wipe up any gasoline that spills.
- Never drain gasoline near an open flame or where gasoline fumes may be ignited by a spark.
- Never smoke a cigarette, cigar or pipe.

1. Park the machine on a level surface, to assure fuel tanks drain completely. Then disengage the power take off (PTO), set the parking brake, and turn the ignition key to “OFF” to stop the engine. Remove the key.
2. Close fuel shut-off valve (Fig. 40).
3. Loosen the hose clamp at the fuel filter and slide it up the fuel line away from the fuel filter (Fig. 40).

4. Pull the fuel line off fuel filter (Fig. 40).
5. Open fuel shut-off valve for left and right tanks. Allow gasoline to drain into a gas can or drain pan. (Fig. 40).

Note: Now is the best time to install a new fuel filter because the fuel tank is empty.

6. Install the fuel line onto the fuel filter. Slide the hose clamp close to the fuel filter to secure the fuel line (Fig. 40).

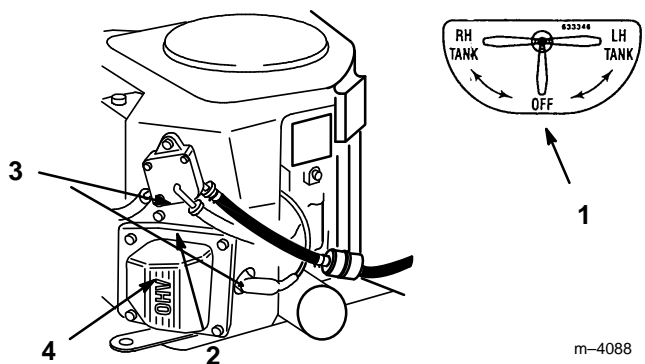


Figure 40

- | | |
|------------------------|---------------|
| 1. Fuel shut-off valve | 3. Hose clamp |
| 2. Fuel filter | 4. Fuel line |

PROTOTYPE

Hydraulic System

Checking the Hydraulic Fluid

Check the hydraulic fluid level:

- Before engine is first started.
- After first 8 operating hours.
- After 25 operating hours.

Fluid Type: Mobil 1 15W-50 synthetic motor oil.

IMPORTANT: Use only oil specified. Other fluids could cause system damage.

System Capacity: 2.1 qt. (2.0 l)

1. Position machine on a level surface and stop the engine and set the parking brake.
2. Clean area around filler neck of hydraulic tank (Fig. 41).
3. Remove cap from filler neck and look inside to check fluid level. Fluid level should be above the baffle inside the tank (Fig. 41).
4. If level is low, add fluid to raise level to above the baffle (Fig. 41).
5. Install cap on filler neck.

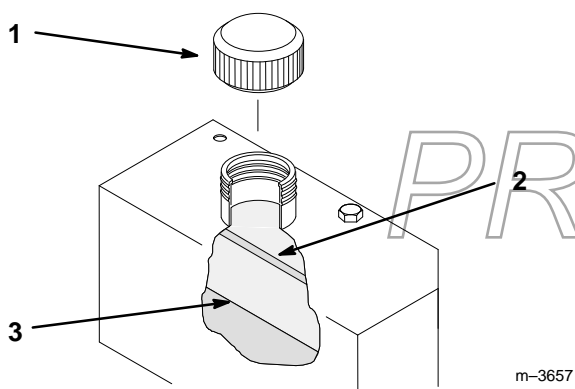


Figure 41

1. Cap
2. Baffle
3. Fluid level-Full

! WARNING

POTENTIAL HAZARD

- Hydraulic fluid escaping under pressure can penetrate skin and cause injury.

WHAT CAN HAPPEN

- Fluid accidentally injected into the skin must be surgically removed within a few hours by a doctor familiar with this form of injury or gangrene may result.

HOW TO AVOID THE HAZARD

- Keep body and hands away from pin hole leaks or nozzles that eject high pressure hydraulic fluid.
- Use cardboard or paper to find hydraulic leaks.

PROTOTYPE

Replacing the Hydraulic Filter

Change the hydraulic filter:

- After the first 8 operating hours.
 - After every 200 operating hours.
1. Position machine on a level surface, stop the engine, and remove key from ignition switch.

IMPORTANT: Do not substitute automotive oil filter or severe hydraulic system damage may result.

2. Remove hydro cap and temporarily cover opening with a plastic bag and rubber band to prevent all hydro fluid from draining out.
 - A. Place drain pan under filter, remove the old filter and wipe the filter adapter gasket surface clean (Fig. 42).

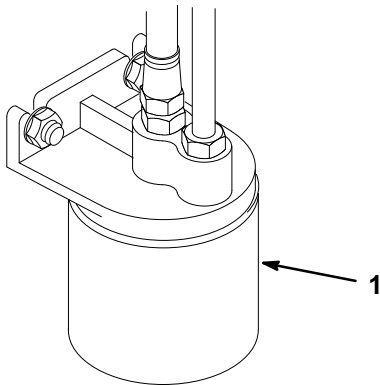


Figure 42

1. Hydraulic filter

3. Apply a thin coat hydro fluid to the rubber gasket on the replacement filter (Fig. 43).
4. Install replacement hydraulic filter onto the filter adapter. Do not tighten.
5. Remove plastic bag from tank opening and allow filter to fill with hydro fluid.
6. When fluid overflows filter turn the oil filter clockwise until the rubber gasket contacts the filter adapter, then tighten the filter an additional 1/2 turn (Fig. 43).

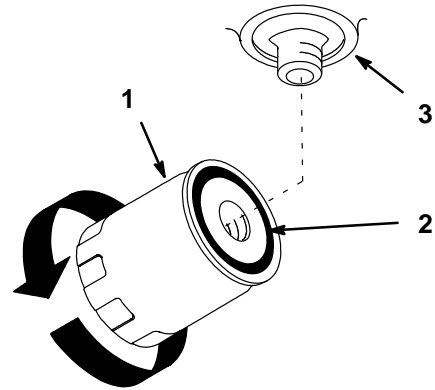


Figure 43

1. Hydraulic filter
2. Gasket
3. Adapter

7. Clean up any spilled fluid.
8. Start engine and let run for about two minutes to purge air from the system. Stop the engine and check for leaks. If one or both wheels will not drive, refer Bleeding Hydraulic System, page 47.
9. Check fluid level in hydraulic tank and add to raise level to cover bottom of baffle. **DO NOT OVER FILL.**

PROTOTYPE

Bleeding Hydraulic System

The traction system is self bleeding, however, it may be necessary to bleed the system if fluid is changed or after work is performed on the system.

1. Raise rear of the machine so wheels are off the ground and support with jack stands.
2. Start the engine and run at idle speed. Engage traction on one side and spin the wheel by hand.
3. When the wheel begins to spin on its own, keep it engaged until wheel drives smoothly. (minimum 2 minute)
4. Check hydraulic fluid level as it drops and add as required to maintain proper level.
5. Repeat procedure on opposite wheel.

Check Hydraulic Lines

After every 100 operating hours, check hydraulic lines and hoses for leaks, loose fittings, kinked lines, loose mounting supports, wear, weather and chemical deterioration. Make necessary repairs before operating.

WARNING

POTENTIAL HAZARD

- **Hydraulic fluid escaping under pressure can penetrate skin and cause injury.**

WHAT CAN HAPPEN

- **Fluid accidentally injected into the skin must be surgically removed within a few hours by a doctor familiar with this form of injury or gangrene may result.**

HOW TO AVOID THE HAZARD

- **Keep body and hands away from pin hole leaks or nozzles that eject high pressure hydraulic fluid.**
- **Use cardboard or paper to find hydraulic leaks.**

PROTOTYPE

Adjusting Motion Controls

Adjusting Handle Neutral

If motion control levers do not align, or move easily into the console notch, adjustment is required. Adjust each lever, spring and rod separately.

Note: Motion control levers must be installed correctly. See Install Motion Control Levers on page 15.

1. Stop engine, remove ignition key and tilt seat forward.
2. Begin with either the left or right motion control lever. Move lever to the neutral (but not locked) position and pull lever back until the clevis pin (on arm below pivot shaft) contacts the end of the slot (just beginning to put pressure on spring) (Fig. 45).
3. Check where lever is relative to notch in console (should be centered allowing lever to pivot outward to the neutral lock position (Fig. 44).

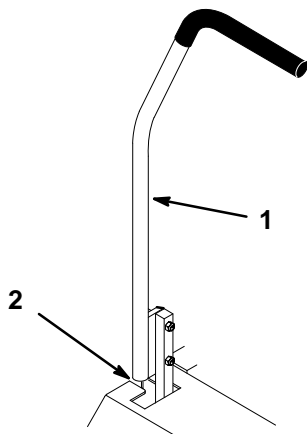


Figure 44

1. Right hand Motion Control Lever (shown)
2. Neutral Lockout Position

5. Apply slight rearward pressure on the motion control lever, turn the head of the adjustment bolt in the appropriate direction until lever is centered in neutral lock position (keeping rearward pressure on the lever will keep the pin at the end of the slot and allow the adjustment bolt to move the lever to the appropriate position (Fig. 45).
6. Tighten nut and jam nut.
7. Repeat on opposite side of unit.

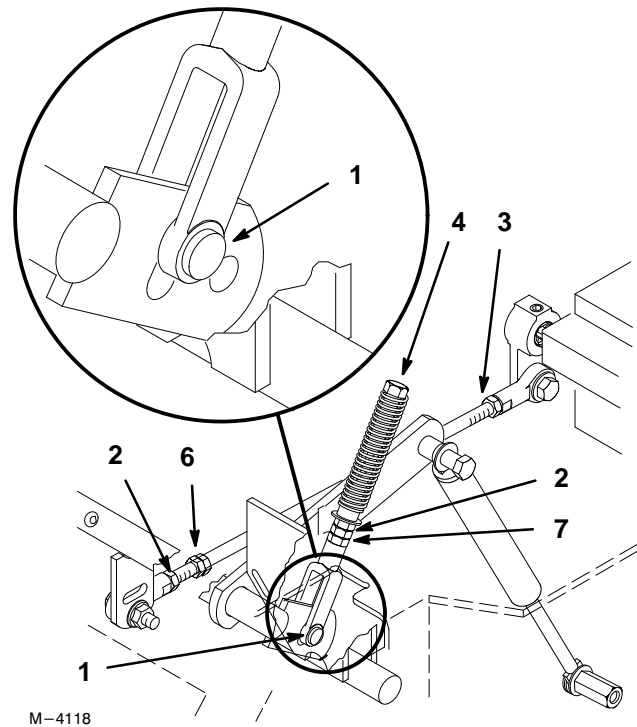


Figure 45

- | | |
|-------------------------|----------------|
| 1. Clevis pin in slot | 5. Pump rod |
| 2. Nut | 6. Double nuts |
| 3. Nut-Left hand Thread | 7. Jam Nut |
| 4. Bolt | |

4. If adjustment is needed, loosen the nut against the yoke (Fig. 45).

Adjusting Hydraulic Pump Neutral

Note: Adjust handle neutral first. That has to be correct before the following adjustment can be made.

8. This adjustment must be made with drive wheels turning. First raise the frame and block up so drive wheels can rotate freely.

WARNING

POTENTIAL HAZARD

- Engine must be running so motion control adjustment can be performed.

WHAT CAN HAPPEN

- Contact with moving parts or hot surfaces may cause personal injury.

HOW TO AVOID THE HAZARD

- Keep hands, feet, face, clothing and other body parts away from rotating parts, muffler and other hot surfaces.

9. Start engine, open throttle 1/2 way and release parking brake. Refer to Starting and Stopping the Engine, page 20.
10. Slide seat forward, disconnect prop rod and tilt seat fully forward.
11. Disconnect electrical connector from the seat safety switch. *Temporarily* install a jumper wire across terminals in the wiring harness connector.
12. Loosen locknut at ball joint on pump control rod (Fig. 45).

Note: The front nut of each rod has left-hand threads.
13. Adjust pump rod length by rotating double nuts on rod, in the appropriate direction, until wheel is still or slightly creeps in reverse (Fig. 45).
14. Move motion control lever forward and reverse, then back to neutral. Wheel must stop turning or slightly creep in reverse.

Note: Motion control lever must be in neutral while making any adjustments.

15. Open throttle to fast. Make sure wheel remains stopped or slightly creeps in reverse, re-adjust if necessary.
16. Repeat on opposite side of unit. Tighten locknuts against ball joints.

WARNING

POTENTIAL HAZARD

- Electrical system will not perform proper safety shut off with jumper wire installed.

WHAT CAN HAPPEN

- Contact with moving parts may cause personal injury.

HOW TO AVOID THE HAZARD

- Remove jumper wire from wire harness connector and plug connector into seat switch when adjustment is completed.
- Never operate this unit with jumper install and seat switch by passed.

17. Shut off unit. Remove jumper wire from wire harness connector and plug connector into seat switch.
18. Reinstall prop rod and lower seat.

PROTOTYPE

Replacing the Pump Drive Belt

Check pump drive belt for wear after every 50 hours of operation.

1. Remove bolt from clutch strap and unplug clutch electrical wire. (Fig. 46).
2. Pull spring loaded idler to side. Remove traction belt from the engine and hydro pump pulleys (Fig. 46).
3. Install new belt around engine and hydro pump pulleys (Fig. 46).
4. Pull spring loaded idler to side and align belt. Release pressure on spring loaded idler (Fig. 46).

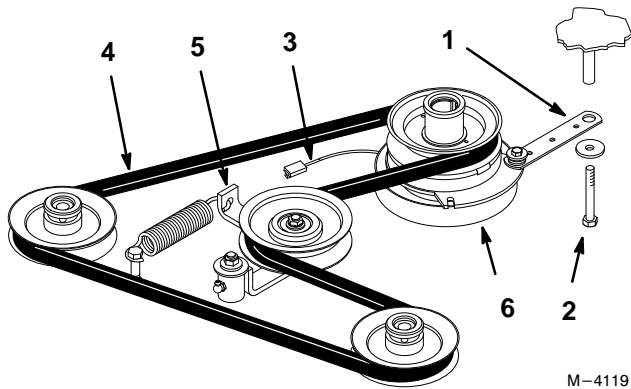


Figure 46

- | | |
|---------------------------|-----------|
| 1. Clutch Strap | 4. Belt |
| 2. Bolt | 5. Idler |
| 3. Clutch Electrical Wire | 6. Clutch |

Adjustment Parking Brake

Check parking brake for proper adjustment.

1. Disengage brake lever (lever down).
2. Measure the length of the spring. Measurement should be 2.75" (74 mm) between washers (Fig. 47).
3. If adjustment is necessary, loosen the jam nut below the spring and tighten the nut directly below the yoke (Fig. 47). Turn the nut until the correct measurement is obtained. Tighten the two nuts together and repeat on opposite side of unit.
4. Turn nuts clockwise to shorten spring length and turn counter-clockwise to lengthen the spring.
5. Engage parking brake, lever up.
6. Measure the distance between the trunnion roller and the collar on brake rod. Measurement should be 3/16"–1/4" (5–7 mm) (Fig. 47).
7. If adjustment is necessary, loosen the jam nut directly below the yoke. Turn the bottom adjusting nuts until the correct measurement is obtained (Fig. 47). Tighten jam nut at yoke

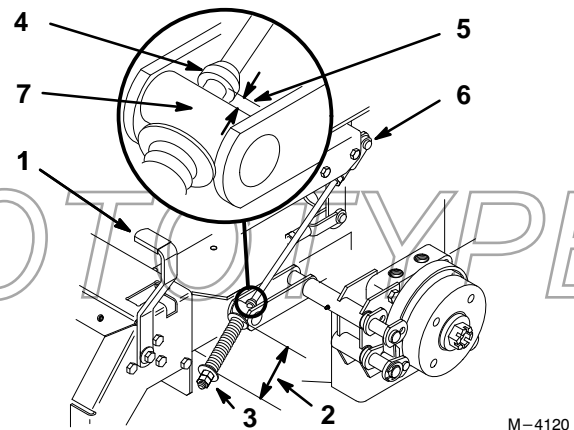


Figure 47

- | | |
|-------------------------|------------------------|
| 1. Brake lever | 5. 3/16"–1/4" (5–7 mm) |
| 2. Spring 2.75" (74 mm) | 6. Jam nut and yoke |
| 3. Adjusting nuts | 7. Trunnion |
| 4. Collar on brake rod | |

Fuse

Service Interval/Specification

The electrical system is protected by fuses. It requires no maintenance: however, if a fuse blows check component/circuit for malfunction or short.

Fuse: Main F1–20 amp, blade-type
Alternator F2–20 amp, blade-type

1. Raise the seat to gain access to fuse holder (Fig. 48).
2. To replace fuses pull out on the fuse to remove it (Fig. 48).

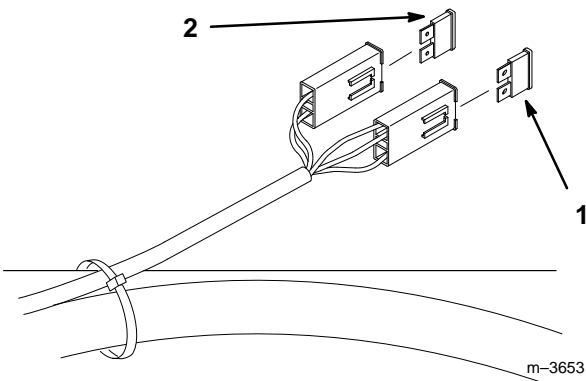


Figure 48

1. Main-30 amp

2. Alternator-25 amp

PROTOTYPE

Battery

Check the electrolyte level in the battery every 25 hours. Always keep the battery clean and fully charged. Use a paper towel to clean the battery case. If the battery terminals are corroded, clean them with a solution of four parts water and one part baking soda. Apply a light coating of grease to the battery terminals to prevent corrosion.

Voltage: 12 v

Checking Electrolyte Level

1. Open covers to see into the cells. The electrolyte must be up to the lower part of the tube (Fig. 49). Do not allow the electrolyte to get below the plates. (Fig. 49).
2. If the electrolyte is low, add the required amount of distilled water; refer to Adding Water to the Battery.

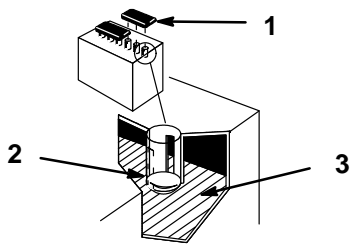


Figure 49

1. Filler caps
2. Lower part of tube
3. Plates

1262

Adding Water to the Battery

The best time to add distilled water to the battery is just before you operate the machine. This lets the water mix thoroughly with the electrolyte solution.

1. Clean the top of the battery with a paper towel.
2. Lift off the filler caps (Fig. 49).
3. Slowly pour distilled water into each battery cell until the level is up to the lower part of the tube (Fig. 49).

IMPORTANT: Do not overfill the battery because electrolyte (sulfuric acid) can cause severe corrosion and damage to the chassis.

4. Press the filler caps onto the battery.

Charging the Battery

IMPORTANT: Always keep the battery fully charged (1.260 specific gravity). This is especially important to prevent battery damage when the temperature is below 32°F (0°C).

1. Check the electrolyte level; refer to Checking Electrolyte Level, page 52.
2. Remove the filler caps from the battery and connect a 3 to 4 amp battery charger to the battery posts. Charge the battery at a rate of 4 amperes or less for 4 hours (12 volts). Do not overcharge the battery. Install the filler caps after the battery is fully charged.

! WARNING

POTENTIAL HAZARD

- Charging the battery produces gasses.

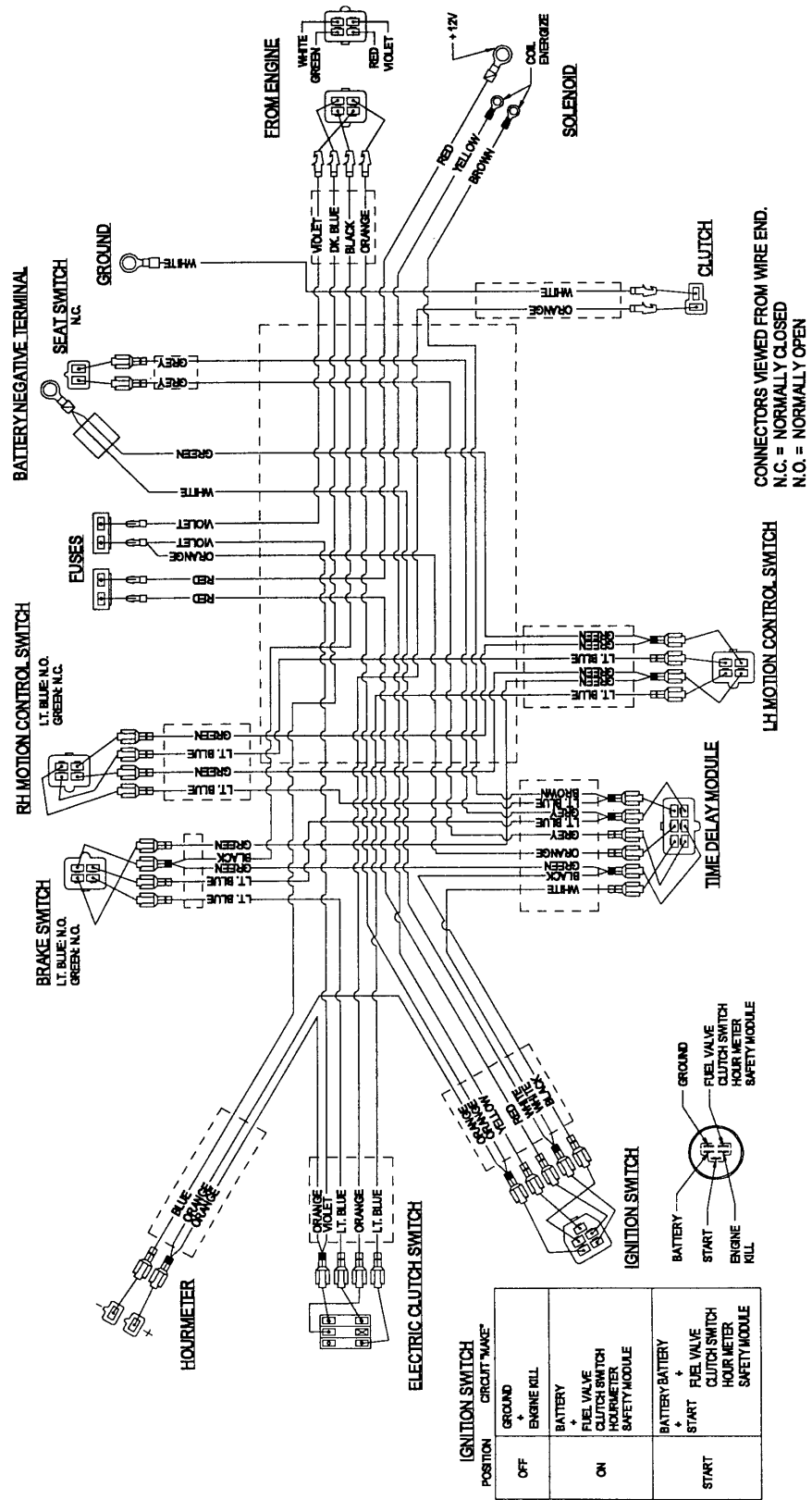
WHAT CAN HAPPEN

- Battery gasses can explode.

HOW TO AVOID THE HAZARD

- Keep cigarettes, sparks and flames away from battery.

Wiring Diagram



Cleaning and Storage

1. Disengage the power take off (PTO), set the parking brake and turn the ignition key to “OFF” to stop the engine. Remove the key.
2. Remove grass clippings, dirt, and grime from the external parts of the entire machine, especially the engine. Clean dirt and chaff from the outside of the engine’s cylinder head fins and blower housing.

IMPORTANT: You can wash the machine with mild detergent and water. Do not pressure wash the machine. Avoid excessive use of water, especially near the control panel, engine, hydraulic pumps and motors.

3. Service the air cleaner; refer to Air Cleaner, page 38.
4. Grease and oil the machine; refer to Greasing and Lubrication, page 42.
5. Change the crankcase oil; refer to Engine Oil, page 39.
6. Change the hydraulic fluid; refer to Hydraulic System, page 45.
7. Remove the spark plug(s) and check its condition; refer to Spark Plug, page 41. With the spark plug(s) removed from the engine, pour two tablespoons of engine oil into the spark plug hole. Now use the starter to crank the engine and distribute the oil inside the cylinder. Install the spark plug(s). Do not install the wire on the spark plug(s).
8. Check the tire pressure; refer to Tire Pressure, page 43.
9. Charge the battery; refer to Battery page 52.

10. For long-term storage (more than 90 days) add stabilizer/conditioner additive to fuel in the tank (1 oz. per gallon).
 - A. Run engine to distribute conditioned fuel through the fuel system (5 minutes).
 - B. Stop engine, allow to cool and drain the fuel tank; refer to Fuel Tank, page 44.
 - C. Restart engine and run until it stops. Repeat, on “CHOKE” until engine will not restart.
 - D. Dispose of fuel properly. Recycle as per local codes.

Note: Do not store stabilizer/conditioned gasoline over 90 days.

11. Check and tighten all bolts, nuts, and screws. Repair or replace any part that is damaged or defective.
12. Paint all scratched or bare metal surfaces. Paint is available from your Authorized Service Dealer.
13. Store the machine in a clean, dry garage or storage area. Remove the key from the ignition switch and keep it in a memorable place. Cover the machine to protect it and keep it clean.
14. Clean any dirt and chaff from the top of the mower.
15. Scrape any heavy buildup of grass and dirt from the underside of the mower, then wash the mower with a garden hose.
16. Check the condition of the blades. Refer to Cutting Blades on page 31.
17. Check the condition of the drive and deck belts.
18. Check and tighten all bolts, nuts and screws. Repair or replace any part that is damaged or defective.
19. Paint all scratched or bare metal surfaces. Paint is available from your Authorized Service Dealer.

Troubleshooting

PROBLEM	POSSIBLE CAUSES	CORRECTIVE ACTION
Starter does not crank	<ol style="list-style-type: none"> 1. Blade control (PTO) is ENGAGED. 2. Parking brake is not on. 3. Operator is not seated. 4. Battery is dead. 5. Electrical connections are corroded or loose. 6. Fuse is blown. 7. Relay or switch is defective. 	<ol style="list-style-type: none"> 1. Move blade control (PTO) to DISENGAGED. 2. Set parking brake. 3. Sit on the seat. 4. Charge the battery. 5. Check electrical connections for good contact. 6. Replace fuse. 7. Contact Authorized Service Dealer.
Engine will not start, starts hard, or fails to keep running.	<ol style="list-style-type: none"> 1. Fuel tank is empty. 2. Fuel valve turned off. 3. Choke is not ON. 4. Air cleaner is dirty. 5. Spark plug wires are loose or disconnected. 6. Spark plugs are pitted, fouled, or gap is incorrect. 7. Dirt in fuel filter. 8. Dirt, water, or stale fuel is in fuel system. 	<ol style="list-style-type: none"> 1. Fill fuel tank with gasoline. 2. Open fuel valve. 3. Move choke lever to ON. 4. Clean or replace air cleaner element. 5. Install wires on spark plug. 6. Install new, correctly gapped spark plugs. 7. Replace fuel filter. 8. Contact Authorized Service Dealer.
Engine loses power.	<ol style="list-style-type: none"> 1. Engine load is excessive. 2. Air cleaner is dirty. 3. Oil level in crankcase is low. 4. Cooling fins and air passages under engine blower housing are plugged. 5. Spark plugs are pitted, fouled, or gap is incorrect. 6. Vent in fuel cap is closed. 7. Dirt in fuel filter. 8. Dirt, water, or stale fuel is in fuel system. 	<ol style="list-style-type: none"> 1. Reduce ground speed. 2. Clean air cleaner element. 3. Add oil to crankcase. 4. Remove obstruction from cooling fins and air passages. 5. Install new, correctly gapped spark plugs. 6. Open vent in fuel cap. 7. Replace fuel filter. 8. Contact Authorized Service Dealer.

PROBLEM	POSSIBLE CAUSES	CORRECTIVE ACTION
Engine overheats.	<ol style="list-style-type: none"> 1. Engine load is excessive. 2. Oil level in crankcase is low. 3. Cooling fins and air passages under engine blower housing are plugged. 	<ol style="list-style-type: none"> 1. Reduce ground speed. 2. Add oil to crankcase. 3. Remove obstruction from cooling fins and air passages.
Abnormal vibration.	<ol style="list-style-type: none"> 1. Engine mounting bolts are loose. 2. Loose engine pulley, idler pulley, or blade pulley. 3. Engine pulley is damaged. 	<ol style="list-style-type: none"> 1. Tighten engine mounting bolts. 2. Tighten the appropriate pulley. 3. Contact Authorized Service Dealer.
Machine does not drive.	<ol style="list-style-type: none"> 1. Traction belt is worn, loose or broken. 2. Traction belt is off pulley. 3. Hydro fluid level low. 	<ol style="list-style-type: none"> 1. Contact Authorized Service Dealer. 2. Contact Authorized Service Dealer. 3. Add hydro fluid to reservoir.
Abnormal vibration.	<ol style="list-style-type: none"> 1. Cutting blade(s) is/are bent or unbalanced. 2. Blade mounting bolt is loose. 3. Engine mounting bolts are loose. 4. Loose engine pulley, idler pulley, or blade pulley. 5. Engine pulley is damaged. 6. Blade spindle bent. 	<ol style="list-style-type: none"> 1. Install new cutting blade(s). 2. Tighten blade mounting bolt. 3. Tighten engine mounting bolts. 4. Tighten the appropriate pulley. 5. Contact Authorized Service Dealer. 6. Contact Authorized Service Dealer.
Uneven cutting height.	<ol style="list-style-type: none"> 1. Blade(s) not sharp. 2. Cutting blade(s) is/are bent. 3. Mower is not level. 4. Gage wheel not set correctly. 5. Underside of mower is dirty. 6. Tire pressure is incorrect. 7. Blade spindle bent. 	<ol style="list-style-type: none"> 1. Sharpen blade(s). 2. Install new cutting blade(s). 3. Level mower from side-to-side and front-to-rear. 4. Adjust gage wheel height. 5. Clean the underside of the mower. 6. Adjust tire pressure. 7. Contact Authorized Service Dealer.

PROBLEM	POSSIBLE CAUSES	CORRECTIVE ACTION
Blades do not rotate.	<ol style="list-style-type: none"> 1. Drive belt is worn, loose or broken. 2. Drive belt is off pulley. 3. Deck belt is worn, loose or broken. 4. Deck belt is off pulley. 	<ol style="list-style-type: none"> 1. Install new drive belt. 2. Install drive belt and check adjusting shafts and belt guides for correct position. 3. Install new deck belt. 4. Install deck pulley and check the idler pulley, idler arm and spring for correct position and function.

PROTOTYPE



THE TORO TOTAL COVERAGE GUARANTEE

A One-Year Limited Warranty (A Two-Year Full Warranty for Residential Use)

What Is Covered By This Express Warranty?

The Toro Company promises to repair any TORO Product used for commercial, institutional, or rental purposes if defective in materials or workmanship. The following time frames apply from the date of purchase:

<u>Product</u>	<u>Warranty Period</u>
All Products	1 year
All Spindles	2 years parts & labor, 3rd year parts only
Engines on the following:	2 years
Out Front and MidMount Zero Radius Tractors	
ProLine Mid-size Mowers	
Groundsmaster Riding Mowers	
ProLine Hand Held Gas Products (AE & LE engines only)	
Backpack Blowers	

The cost of parts and labor are included, but the customer pays the transportation cost. Transportation within a 15-mile radius of a TORO ProLine Service Dealer is covered under this warranty for Riding Products, Midsized Mowers and Turf Maintenance Equipment.

What Products Are Covered By This Warranty?

- Z-Master Zero Radius Tractors
- ProLine Mid-size Mowers
- Groundsmaster Riding Mowers
- ProLine Hand-held Gas Products
- Backpack Blowers
- Turf Maintenance Equipment
- Debris Management Equipment

How About Residential Use?

TORO Products used for residential use are covered by a full two-year warranty.

How Do You Get Warranty Service?

Should you feel your TORO Product contains a defect in materials or workmanship, contact the dealer who sold you the product or any TORO ProLine Service Dealer. The Yellow Pages of your telephone directory is a good reference source; look under TORO Commercial Service Dealers. The Service Dealer will either arrange service at his/her dealership or recommend another authorized Service Dealer who may be more convenient. You may need proof of purchase (copy of registration card, sales receipt, etc.) for warranty validation.

If for any reason you are dissatisfied with a Service Dealer's analysis of the defect in materials or workmanship or if you need a referral to a TORO ProLine Service Dealer, please feel free to contact us at the following address:

Toro Customer Service Department
8111 Lyndale Avenue South
Bloomington, MN 55420-1196
612-888-8801 or 800-348-2424

What Must You Do To Keep The Warranty In Effect?

You must maintain your TORO Product by following the maintenance procedures described in the operator's manual. Such routine maintenance, whether performed by a dealer or by you, is at your expense.

What Does This Warranty Not Cover? and How Does Your State Law Relate To This Warranty?

There is no other express warranty except for special emission system coverage on some products and as described above. This express warranty does not cover:

- Cost of regular maintenance service or parts, such as filters, fuel, lubricants, tune-up parts, blade sharpening, brake and clutch adjustments.
- Any product or part which has been altered or misused or required replacement or repair due to normal wear, accidents, or lack of proper maintenance.
- Repairs necessary due to improper fuel, contaminants in the fuel system, or failure to properly prepare the fuel system prior to any period of non-use over three months.
- Pickup and delivery charges for distances beyond a 15-mile radius from a TORO ProLine Service Dealer.

All repairs covered by this warranty must be performed by a TORO Service Dealer using Toro approved replacement parts.

The Toro Company is not liable for indirect or consequential damages in connection with the use of the TORO Products covered by this warranty, including any cost or expense of providing substitute equipment or service during reasonable periods of malfunction or non-use pending completion of repairs under this warranty. Some states do not allow exclusions of incidental or consequential damages, so the above exclusion may not apply to you.

This warranty gives you specific legal rights, and you may also have other rights which vary from state to state.

COUNTRIES OTHER THAN THE UNITED STATES OR CANADA

Customers who have purchased TORO products exported from the United States or Canada should contact their TORO Distributor (Dealer) to obtain guarantee policies for your country, province, or state. If for any reason you are dissatisfied with your Distributor's service or have difficulty obtaining guarantee information, contact the TORO importer. If all other remedies fail, you may contact us at The Toro Company.