



**Count on it.**

**Parts Catalog**

**TimeCutter® MX 4250**

**Riding Mower**

Model No. 74760—Serial No. 315000001 and Up



# Ordering Replacement Parts

To order replacement parts, please supply the part number, the quantity, and the description of each part desired.

## Understanding Reference Numbers

Each identified part in an illustration has a reference number. The reference number for a part also appears in the parts list, along with other information about the part.

This catalog uses two special reference number formats, one to indicate parts in a service assembly and another to indicate the quantity of a given part in an illustration.

## Service Assembly Reference Numbers

Parts in service assemblies have reference numbers in the form a:b. The a represents the reference number of the entire service assembly and the b represents a sequential number unique to each part within the service assembly.

For example, a wheel assembly might be identified by reference number 6, the tire by 6:1, the valve by 6:2, and the wheel by 6:3. When you order the assembly identified by reference number 6, you receive all parts identified by reference numbers 6:1, 6:2, and 6:3. However, you may also order any part individually. Reference numbers of this type appear in illustration and in parts lists.

## Reference Numbers Indicating Quantity

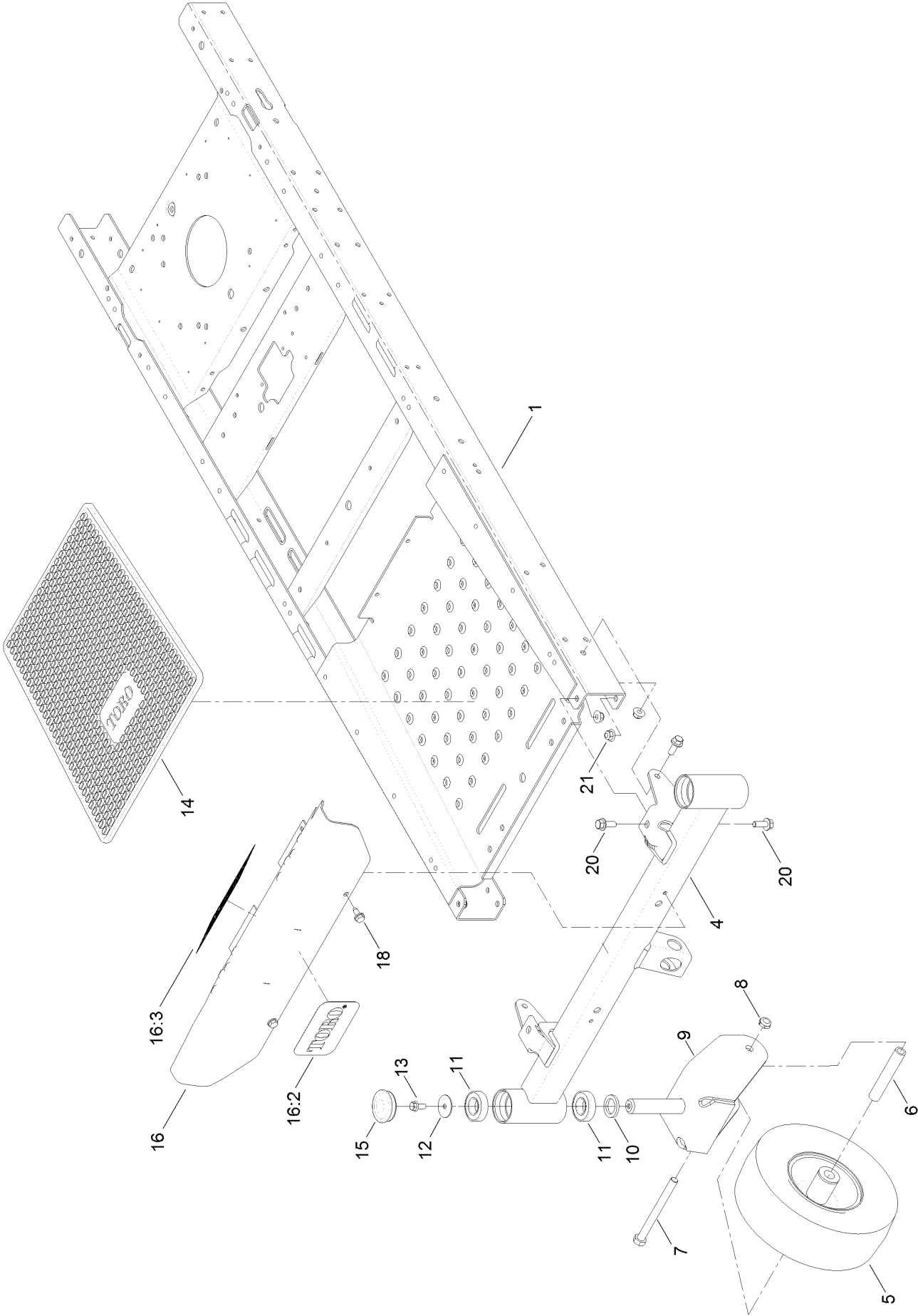
In an illustration, if a reference number indicates more than one part, the reference number has the form nX y. The n represents the quantity of the part, the X is the multiplication symbol, and the y represents the reference number.

For example, in an illustration, the reference number 2X 37 means that two of the parts identified by reference number 37 are indicated.

# Contents

Frame, Front Axle and Caster Wheel Assembly .....	4
Caster Wheel Assembly No. 130-0736.....	6
Deck Lift Assembly.....	8
Motion Control Assembly .....	10
Brake Assembly .....	12
Seat Assembly .....	14
Seat Assembly No. 131-4147 .....	16
Belt and Idler Assembly.....	18
Hydro Transaxle Assembly .....	20
4 Ply Wheel and Tire Assembly No. 120-5523 .....	22
2 Ply Wheel and Tire Assembly No. 131-3671 .....	24
Left Hand Hydro Transaxle Assembly No. 119-3340 .....	26
Right Hand Hydro Transaxle Assembly No. 119-3341 .....	28
Clutch Assembly.....	30
Engine and Muffler Assembly.....	32
Fuel System Assembly with Non-Canister Style Air Filter .....	34
Carburetor Assembly with Non-Canister Style Air Filter .....	36
Air Intake and Filtration Assembly with Non-Canister Style Air Filter .....	38
Ignition and Electrical Assembly .....	40
Crankcase and Crankshaft Assembly.....	42
Governor Control Assembly .....	44
Piston and Cylinder Head Assembly .....	46
Blower Housing Assembly .....	48
Gasket and Seal Kit Assembly.....	50
Body Styling and Fuel Tank Assembly .....	52
Fuel Delivery Assembly.....	54
Battery and Electrical Assembly.....	56
Fuse and Wire Harness Assembly.....	58
42 Inch Deck Assembly.....	60
42 Inch Deck and Decal Assembly No. 131-3608.....	62
42 Inch Belt, Blade, and Spindle Assembly .....	64
Attachments and Accessories .....	66

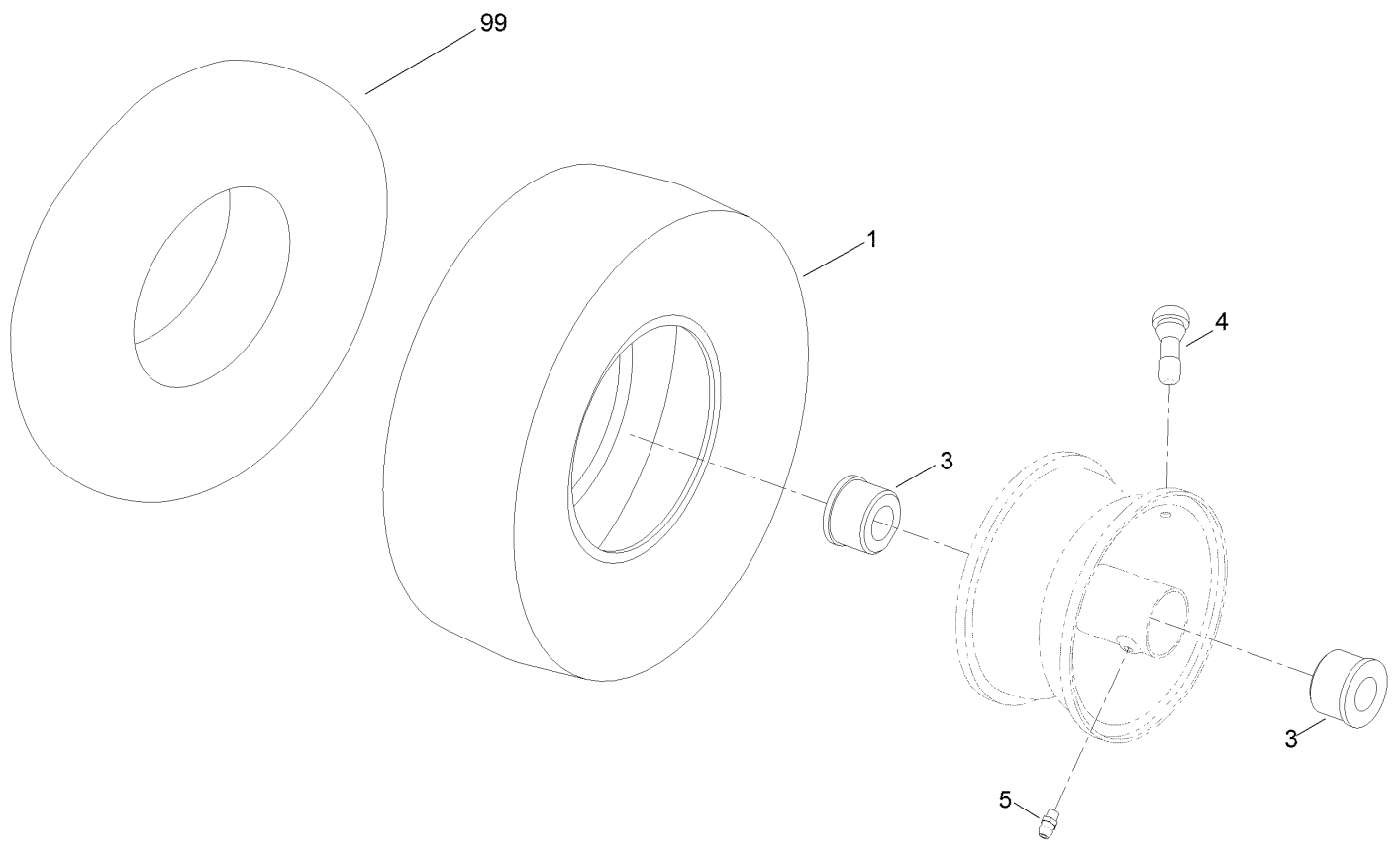
# Frame, Front Axle and Caster Wheel Assembly



## Frame, Front Axle and Caster Wheel Assembly (continued)

<i>Ref.</i>	<i>Part Number</i>	<i>Qty.</i>	<i>Description</i>	<i>Ref.</i>	<i>Part Number</i>	<i>Qty.</i>	<i>Description</i>
1	127-3444-01	1	Frame ASM	13	3234-47	2	Screw-HHF
4	125-1742-01	1	Axle-Front, Narrow	14	120-5455	1	Mat-Floor
5	130-0736	2	Caster Wheel ASM	15	116-4348	2	Cap-Grease
6	104-3667	2	Bushing-Spanner	16	132-0890	1	Footrest ASM
7	325-22	2	Screw-HH	16:2	105-8278	1	Decal
8	3296-45	2	Nut-Lock, NI	16:3	132-0869	1	Decal-Danger
9	120-2266-01	2	Fork-Caster	18	32144-70	2	Screw-HWHTF
10	117-7394	2	Washer-Thrust	20	3234-42	6	Screw-HHF
11	109-3678	4	Bearing-Ball	21	104-8301	6	Nut-HF, NI
12	3256-68	2	Washer-Flat				

# Caster Wheel Assembly No. 130-0736

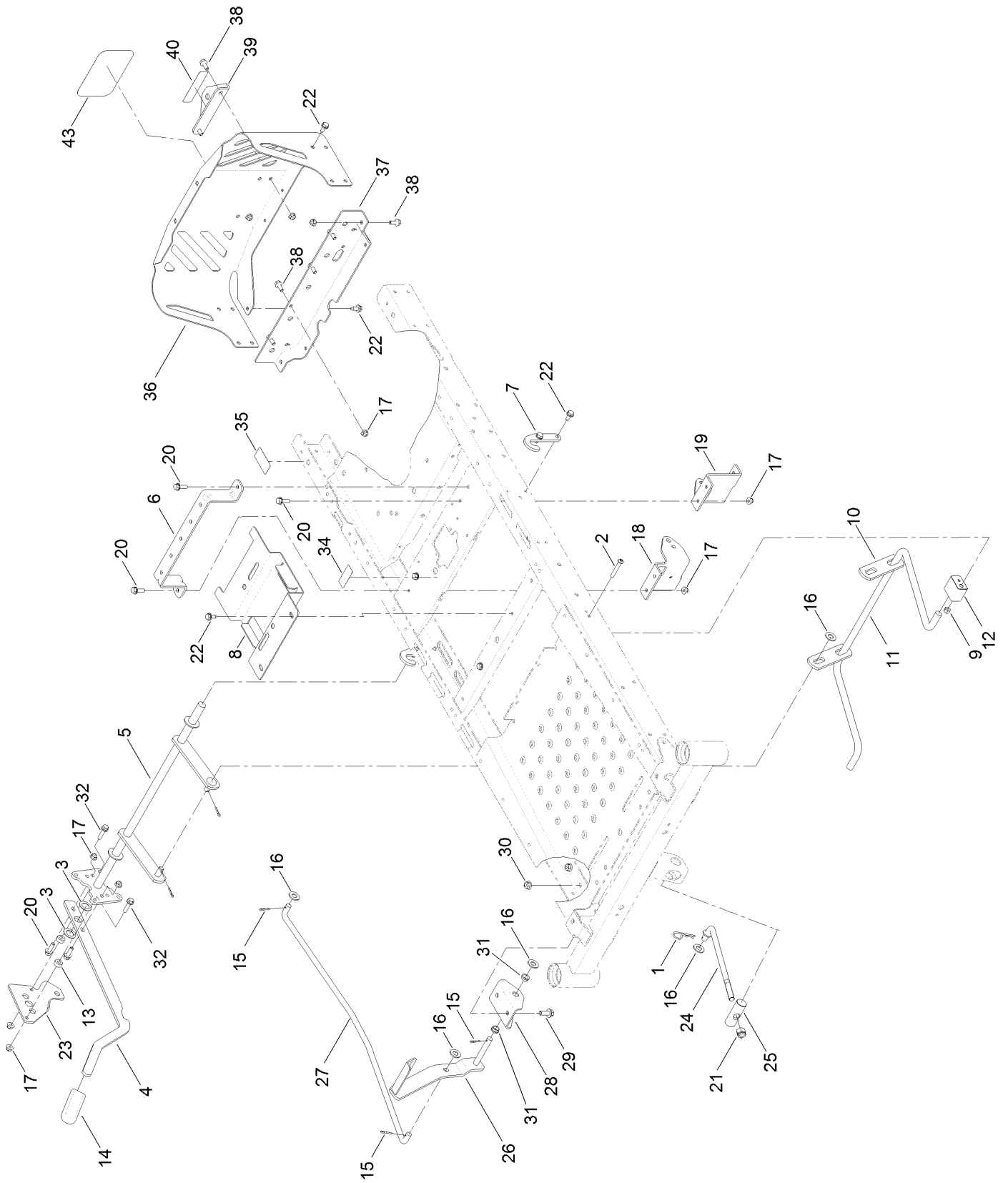


# Caster Wheel Assembly No. 130-0736 (continued)

<i>Ref.</i>	<i>Part Number</i>	<i>Qty.</i>	<i>Description</i>
1	130-0735	1	Tire
3	114-1640	2	Bushing-Flange
4	232-27	1	Stem-Valve

<i>Ref.</i>	<i>Part Number</i>	<i>Qty.</i>	<i>Description</i>
5	302-5	1	Fitting-Grease
99	105-0844	1	Tube-Inner

# Deck Lift Assembly

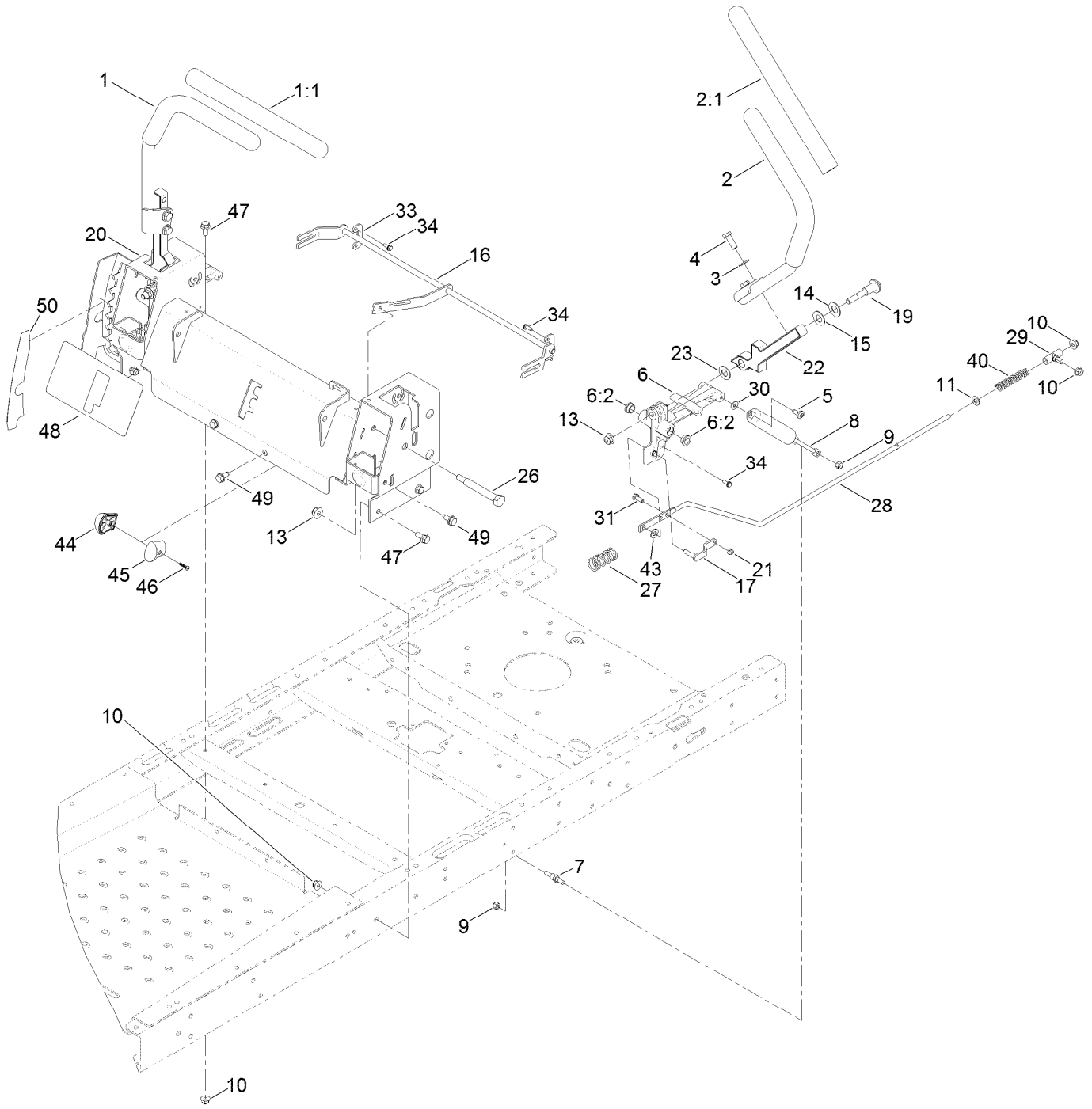




## Deck Lift Assembly (continued)

<i>Ref.</i>	<i>Part Number</i>	<i>Qty.</i>	<i>Description</i>	<i>Ref.</i>	<i>Part Number</i>	<i>Qty.</i>	<i>Description</i>
1	1-806005	1	Pin-Cotter	22	32144-70	16	Screw-HWHTF
2	120-5499	2	Screw-HSBH	23	131-3933	1	Plate-Footlift
3	3-6498	2	Washer-Thrust	24	131-3945	1	Rod-Mount, Deck
4	119-3427-03	1	Lever-Lift	25	119-8810	1	Pin-Pivot
5	117-7346-03	1	Lift-Deck, Narrow	26	120-2276-03	1	Pedal
6	119-3435-03	1	Brace-Seat, Rear (Narrow)	27	120-2242	1	Rod-Footlift
7	119-8875	2	Bracket-Lift	28	120-2294-03	1	Bracket-Footlift
8	131-0914-03	1	Bracket-Battery	29	3234-42	2	Screw-HHF
9	3296-29	2	Nut-Lock, NI	30	104-8301	2	Nut-HF, NI
10	108-7840	2	Link-Lift	31	256-156	2	Bushing-Flange
11	108-7839	1	Arm-Lift, Rear	32	3234-36	2	Screw-HHF
12	108-7845	2	Block-Pivot	34	121-5684	1	Decal-Location, Service Dealer
13	121-1759	2	Spacer	35	121-2989	2	Decal-Bypass
14	1-633268	1	Grip-Lever	36	127-3353-03	1	Guard-Engine, Narrow
15	3272-11	5	Pin-Cotter	37	130-6950-01	1	Crossmember-Rear, Narrow
16	3256-26	6	Washer-Flat	38	3234-47	8	Screw-HHF
17	104-8300	14	Nut-HF, NI	39	117-1232-03	1	Bracket-Hitch
18	131-0901-01	1	Mount-Hydro, Front (RH)	40	131-4036	1	Decal
19	131-0902-01	1	Mount-Hydro, Front (LH)	43	99-4693	1	Decal
20	3234-29	4	Screw-HHF				
21	3296-19	1	Nut-Hex				

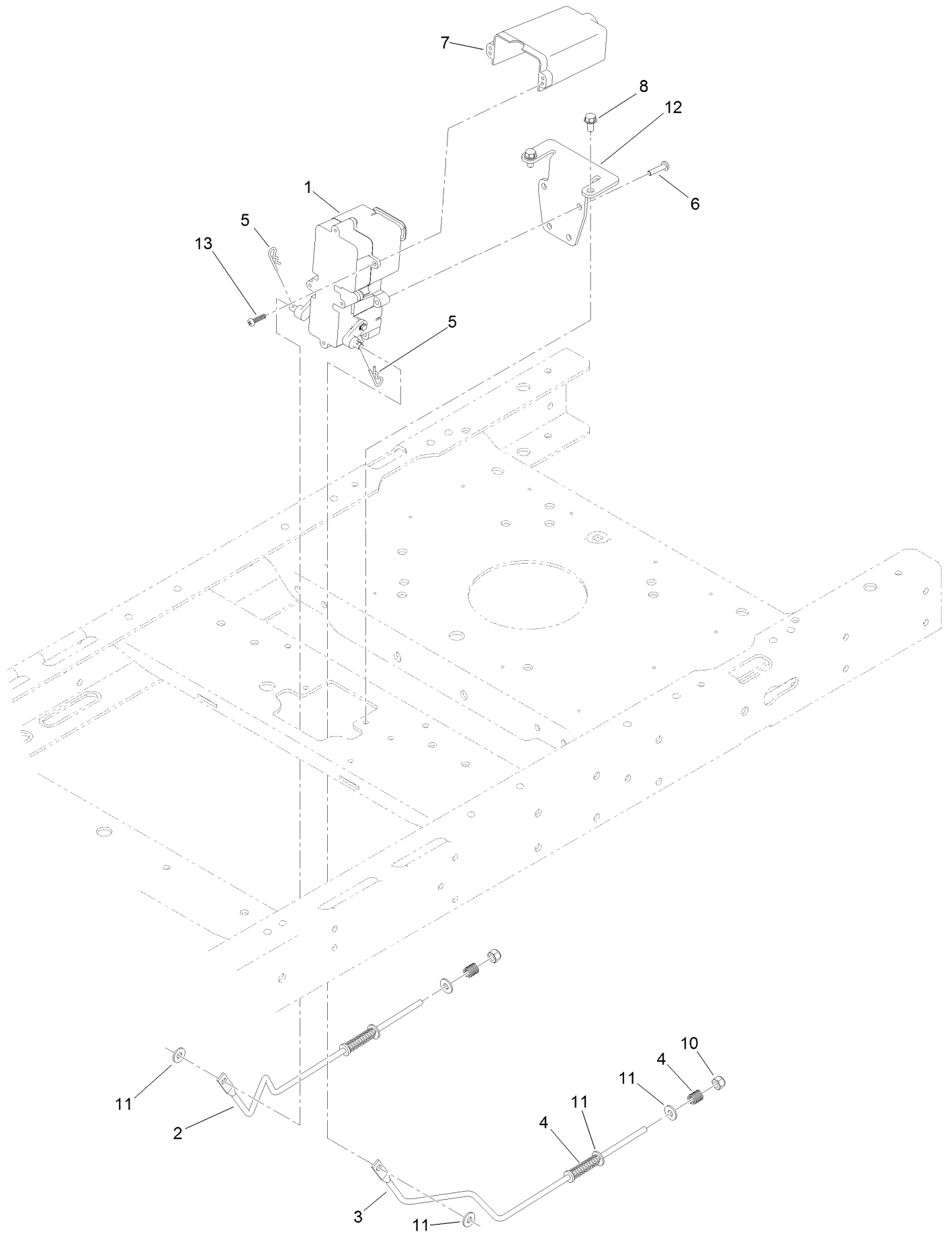
# Motion Control Assembly



## Motion Control Assembly (continued)

<i>Ref.</i>	<i>Part Number</i>	<i>Qty.</i>	<i>Description</i>	<i>Ref.</i>	<i>Part Number</i>	<i>Qty.</i>	<i>Description</i>
1	121-0731	1	Handle-Control, RH	21	3296-56	2	Nut-Lock, NI
1:1	121-0726	1	Grip	22	115-5098-05	2	Lever-Control
2	121-0730	1	Handle-Control, LH	23	120-2273	2	Washer-Nylon
2:1	121-0726	1	Grip	26	115-5099	2	Bolt-Pivot
3	3256-24	4	Washer-Flat	27	119-8876	2	Spring-Return
4	323-6	4	Screw-HH	28	117-5388	2	Rod-Hydro
5	120-7950	2	Screw-Shoulder	29	119-8842	2	Mount-Rod, Hydro
6	119-3470	2	Actuator Arm ASM	30	119-8952	2	Washer
6:2	256-156	2	Bushing-Flange	31	321-3	2	Screw-HH
7	110-6810	2	Stud-Damper	33	117-5385	2	Retainer
8	131-0964	2	Damper	34	32144-1	4	Screw-Taptite
9	3296-42	4	Nut-Lock, NI	40	1-603807	2	Spring-Return, Neutral
10	104-8300	10	Nut-HF, NI	43	93-6079	2	Spacer-Nylon
11	3256-23	2	Washer-Plain	44	119-8935	1	Knob-RH
13	104-8301	4	Nut-HF, NI	45	119-8936	1	Knob-LH
14	119-8925	2	Washer-Belleville	46	94-4496	1	Screw-PPH
15	117-1240	2	Washer	47	3234-47	6	Screw-HHF
16	131-1094	1	Speed Control ASM	48	131-3947	1	Decal-Control, Speed
17	119-3303	2	Pin-Rod, Hydro	49	32144-70	4	Screw-HWHTF
19	117-1198	2	Bolt-Pivot	50	119-8871	1	Decal-HOC
20	131-1093-03	1	Control Box ASM				

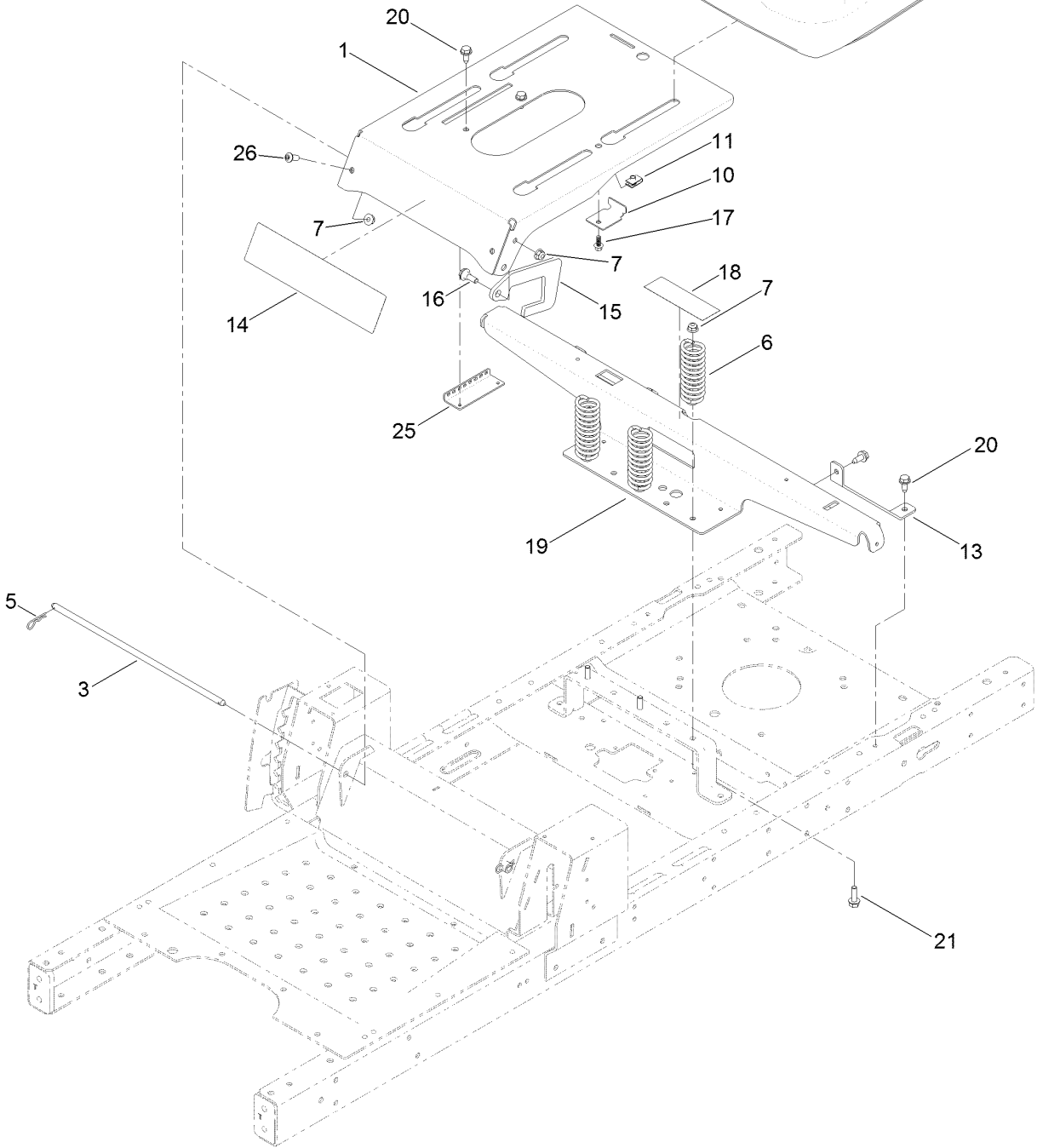
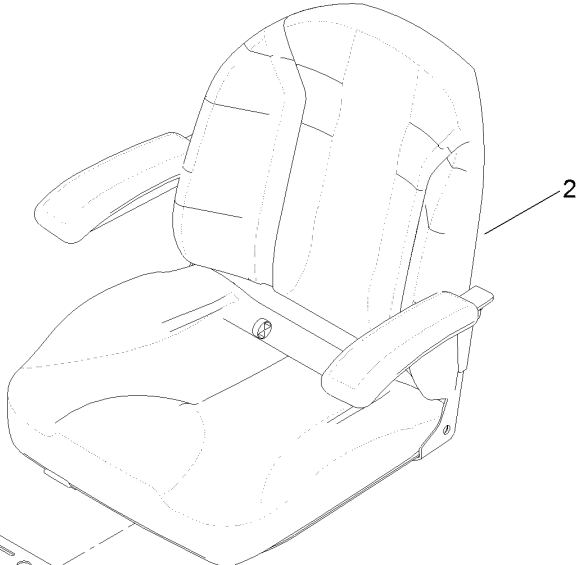
# Brake Assembly



## Brake Assembly (continued)

<i>Ref.</i>	<i>Part Number</i>	<i>Qty.</i>	<i>Description</i>	<i>Ref.</i>	<i>Part Number</i>	<i>Qty.</i>	<i>Description</i>
1	130-6892	1	Brake Box ASM	7	130-6974	1	Cover-Connector
2	121-2974	1	Rod-Brake, RH	8	32144-4	2	Screw-HWH
3	121-2975	1	Rod-Brake, LH	10	3296-42	2	Nut-Lock, NI
4	117-1169	4	Spring-Compression	11	119-8952	6	Washer
5	3290-307	2	Pin-Cotter	12	130-0790-03	1	Bracket-Mount, Brake
6	32144-36	4	Screw-PPH	13	94-4496	2	Screw-PPH

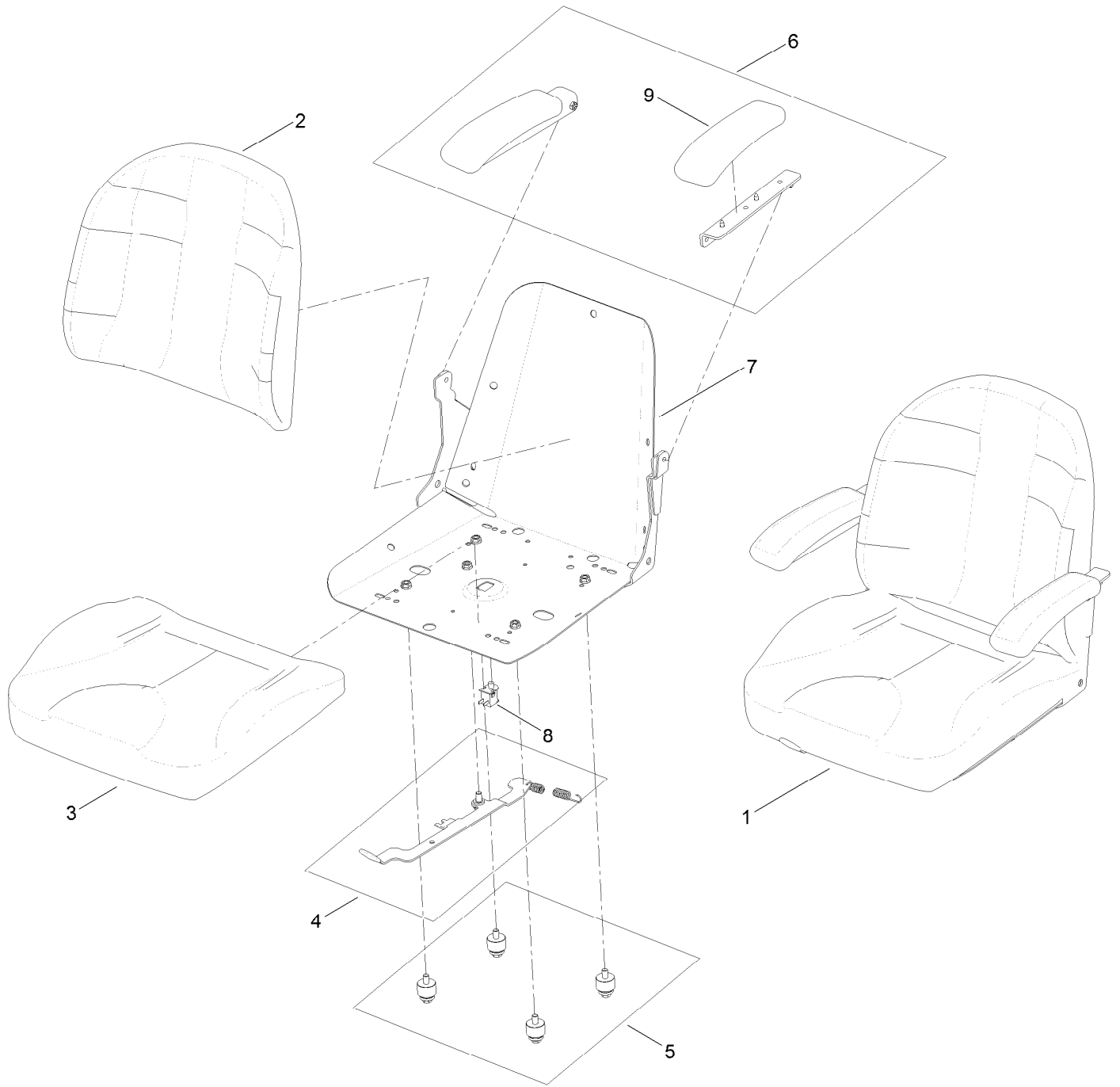
# Seat Assembly



## Seat Assembly (continued)

<i>Ref.</i>	<i>Part Number</i>	<i>Qty.</i>	<i>Description</i>	<i>Ref.</i>	<i>Part Number</i>	<i>Qty.</i>	<i>Description</i>
1	130-7035-03	1	Pan-Seat	15	131-3994	1	Plate-Stop
2	131-4147	1	Seat ASM	16	116-2670	1	Screw-Shoulder
3	119-3433	1	Rod-Pivot, Narrow	17	99-6810	1	Screw-HHF
5	3290-250	2	Pin-Cotter	18	106-8717	1	Decal-Service, CE
6	92-7054	3	Spring-Compression	19	131-1040-03	1	Support-Pod
7	104-8300	6	Nut-HF, NI	20	32144-70	6	Screw-HWHTF
10	131-1038	1	Bracket-Stop, Seat	21	3234-29	3	Screw-HHF
11	107069	1	Clip	25	131-4008-03	1	Bracket-Latch, Seat
13	119-3431-03	2	Support-Tank, Rear	26	131-4080	1	Screw-HSBH
14	131-3654	1	Decal-Timecutter				

# Seat Assembly No. 131-4147



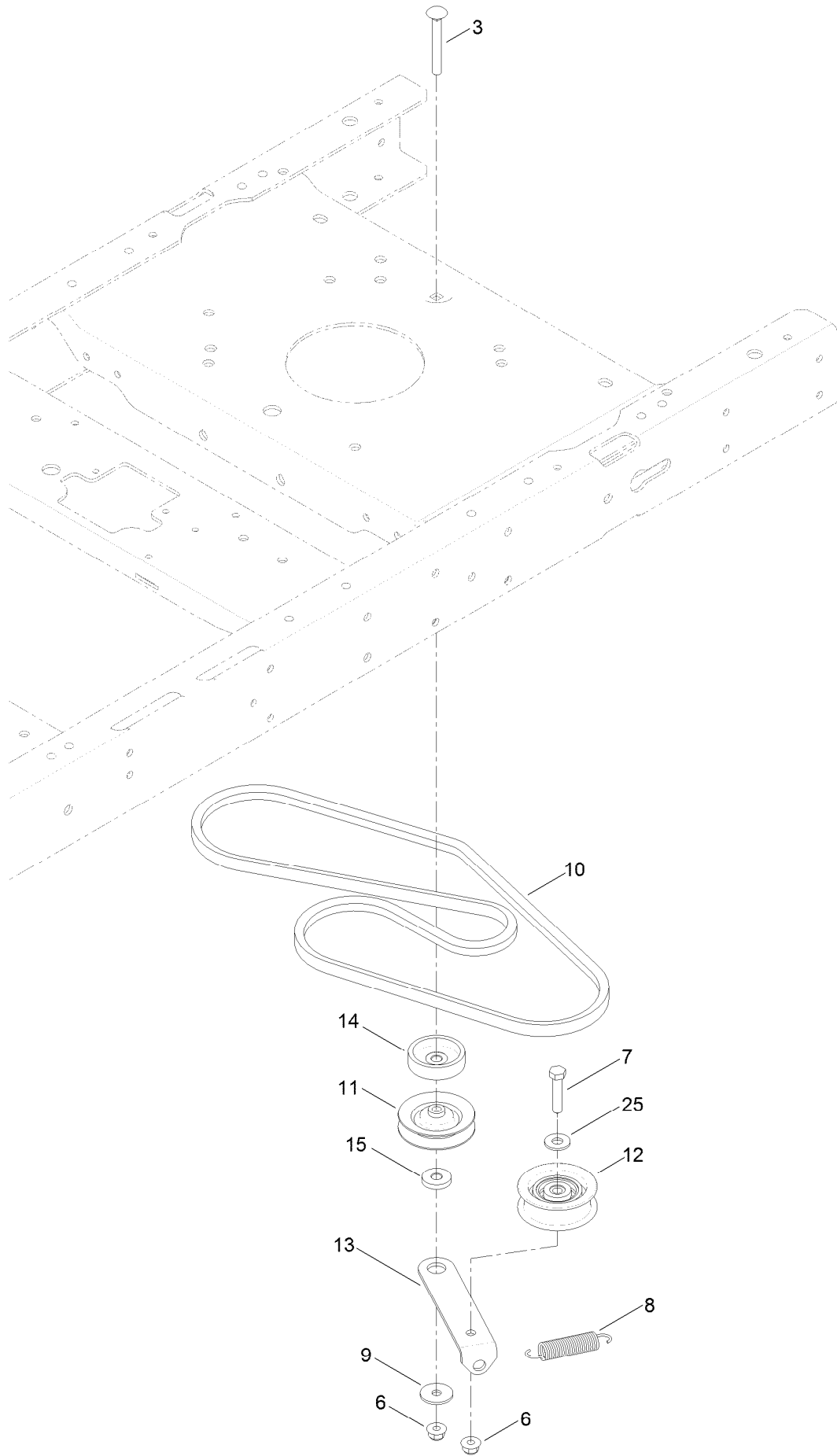


## Seat Assembly No. 131-4147 (continued)

<i>Ref.</i>	<i>Part Number</i>	<i>Qty.</i>	<i>Description</i>
1	130-6920	1	Seat ASM
2	131-4149	1	Cushion-Seat, Back
3	131-4151	1	Cushion-Seat, Bottom
4	131-4153	1	Track ASM
5	131-4154	1	Bushing ASM

<i>Ref.</i>	<i>Part Number</i>	<i>Qty.</i>	<i>Description</i>
6	131-4155	1	Armrest Kit
7	131-4156	1	Shell
8	82-2190	1	Switch-Bail
9	110-4163	2	Cushion-Rest, Arm

# Belt and Idler Assembly



## Belt and Idler Assembly (continued)

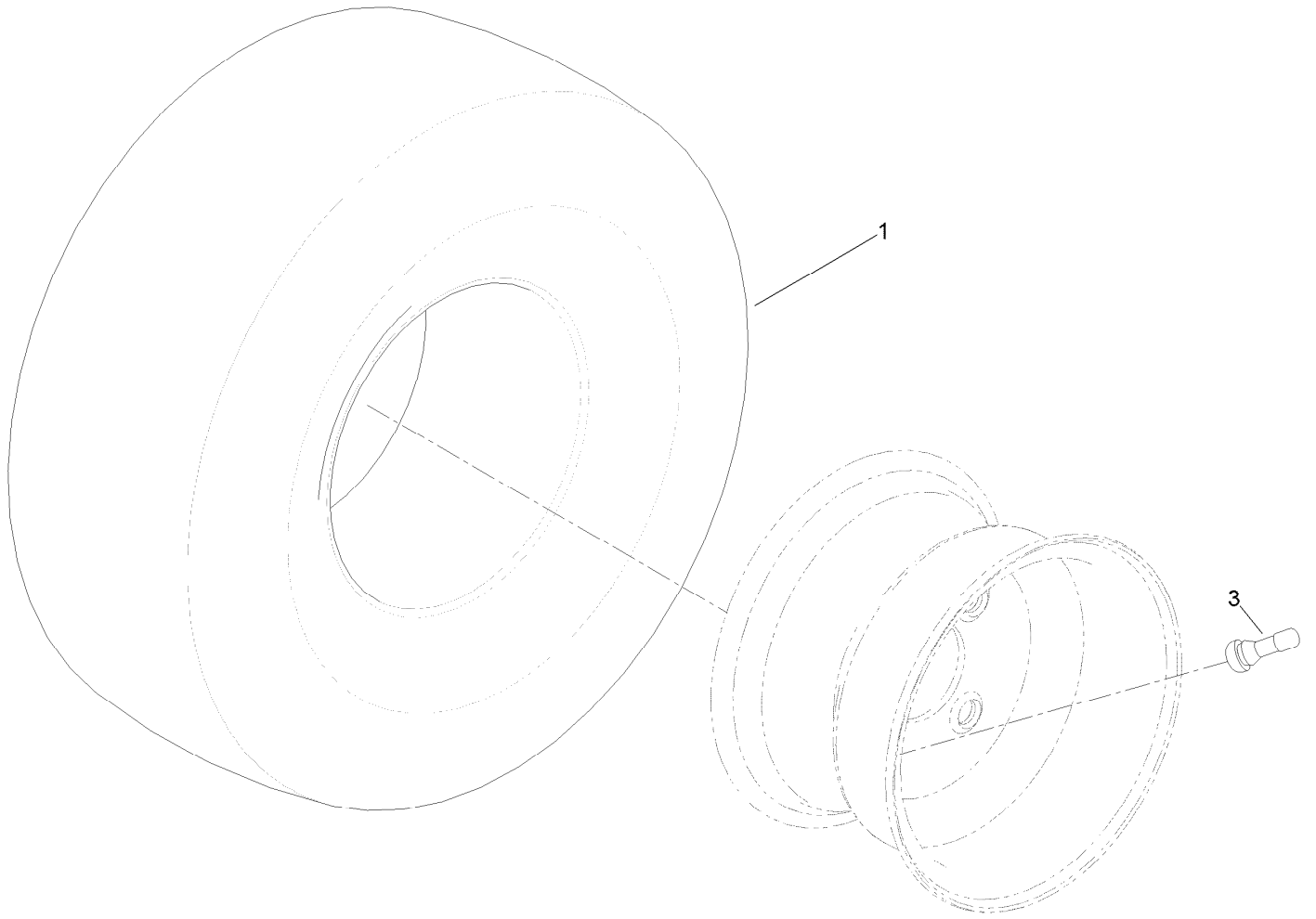
<i>Ref.</i>	<i>Part Number</i>	<i>Qty.</i>	<i>Description</i>	<i>Ref.</i>	<i>Part Number</i>	<i>Qty.</i>	<i>Description</i>
3	3230-8	1	Screw-CARR	11	119-8822	1	Pulley-Idler
6	104-8300	2	Nut-HF, NI	12	106-2176	1	Pulley-Idler
7	322-7	1	Screw-HH	13	119-3326	1	Arm-Idler
8	104-6415	1	Spring-Return, Pedal	14	119-3353	1	Spacer
9	5-4460	1	Washer-Pivot	15	119-3327	1	Spacer-Arm, Idler
10	130-6975	1	V-Belt	25	3256-3	1	Washer-Flat



## Hydro Transaxle Assembly (continued)

<i>Ref.</i>	<i>Part Number</i>	<i>Qty.</i>	<i>Description</i>	<i>Ref.</i>	<i>Part Number</i>	<i>Qty.</i>	<i>Description</i>
1	119-3341	1	RH Hydro Transaxle ASM	20	324-10	4	Screw-HH
2	119-3340	1	LH Hydro Transaxle ASM	21	119-3339-03	1	Plate-Cross, Hydro
4	322-11	4	Screw-HH	22	3234-29	4	Screw-HHF
5	322-13	4	Screw-HH	23	3290-307	2	Pin-Cotter
6	104-8300	12	Nut-HF, NI	24	130-7049	1	Rod-Bypass, RH
16	120-5523	2	4 Ply Wheel And Tire ASM	26	3296-48	6	Nut-Lock, NI
16	131-3671	2	2 Ply Wheel And Tire ASM	27	3256-25	6	Washer-Flat
17	242-50	8	Nut-Lug	28	324-8	2	Screw-HH
18	117-7264-03	2	Mount-Hydro	29	119-8952	2	Washer
19	131-0900	1	Rod-Bypass, LH	30	3256-23	6	Washer-Plain

# 4 Ply Wheel and Tire Assembly No. 120-5523

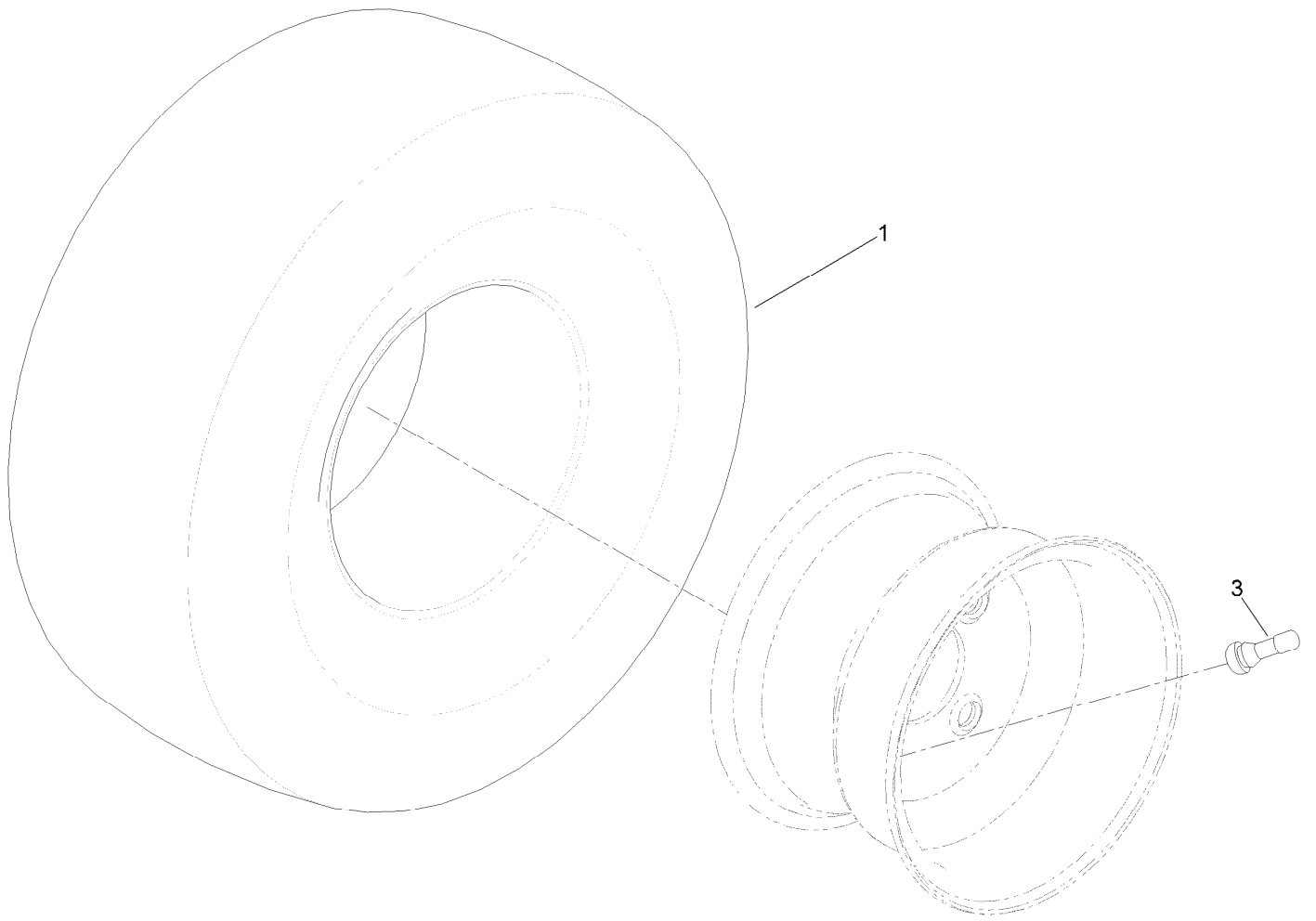


## 4 Ply Wheel and Tire Assembly No. 120-5523 (continued)

<i>Ref.</i>	<i>Part Number</i>	<i>Qty.</i>	<i>Description</i>
1	119-8907	1	Tire-4 Ply
3	232-27	1	Stem-Valve
99	107-2491	1	Tube-Tire ●

● Not illustrated

# 2 Ply Wheel and Tire Assembly No. 131-3671





## 2 Ply Wheel and Tire Assembly No. 131-3671 (continued)

<i>Ref.</i>	<i>Part Number</i>	<i>Qty.</i>	<i>Description</i>
1	131-3678	1	Tire-2 Ply
3	232-27	1	Stem-Valve
99	107-2491	1	Tube-Tire ●

● Not illustrated

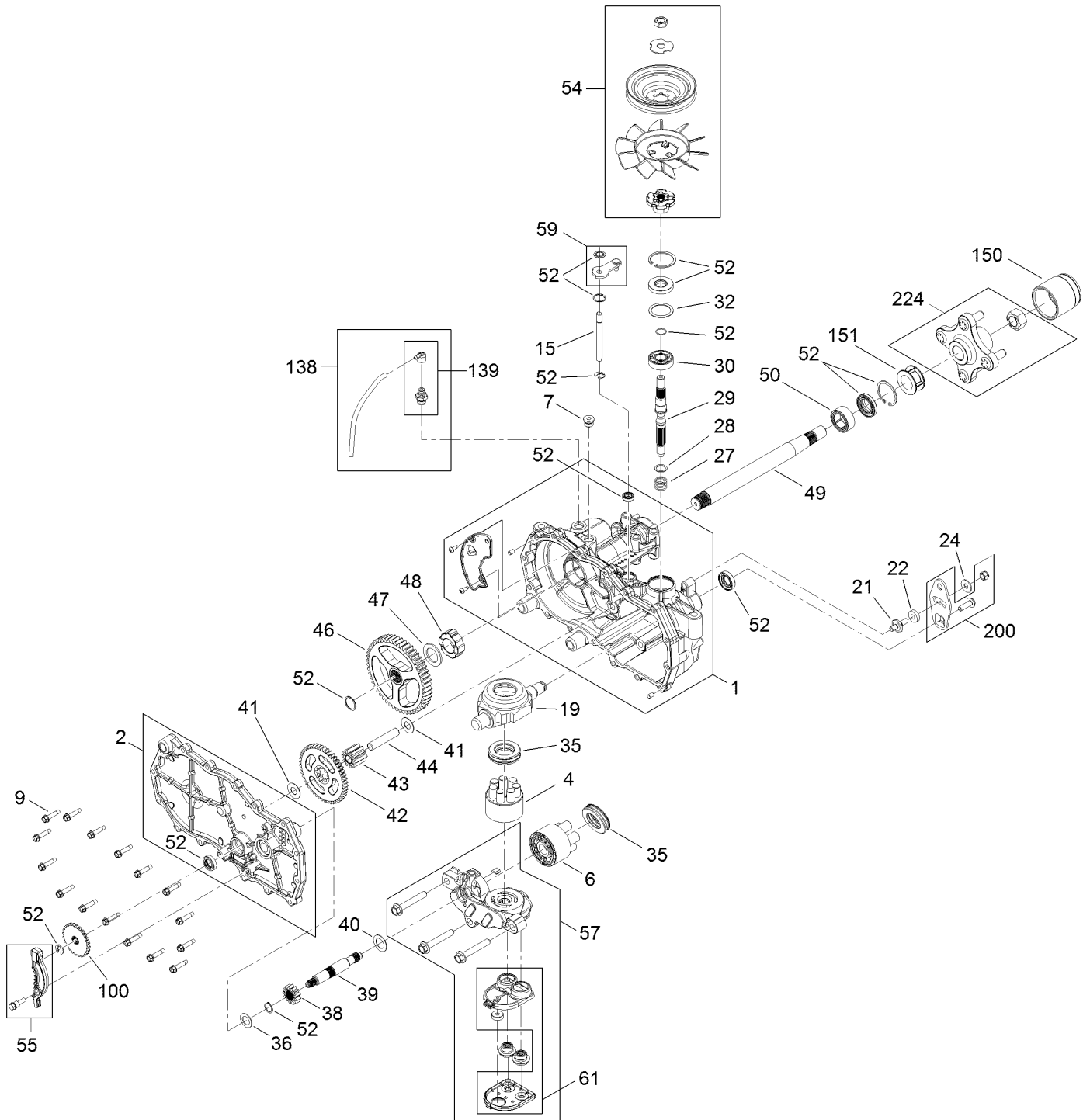


# Left Hand Hydro Transaxle Assembly No. 119-3340 (continued)

<i>Ref.</i>	<i>Part Number</i>	<i>Qty.</i>	<i>Description</i>	<i>Ref.</i>	<i>Part Number</i>	<i>Qty.</i>	<i>Description</i>
1	106-8695	1	Main Housing ASM	42	104-5317	1	Gear-10T/48T
2	106-8696	1	Side ASM	43	104-5318	1	Gear-Jackshaft, 10T
4	110-8561	1	Pump Block ASM	44	104-5329	1	Pin-Jackshaft
6	103-2666	1	Cylinder Block Kit	46	112-9855	1	Gear-52T, Bull
7	104-2189	1	Plug-Thread, Straight	47	112-9856	1	Washer
9	104-5305	16	Screw-HHF	48	112-9857	1	Bearing-Sleeve
15	106-8678	1	Rod-Bypass	49	121-5732	1	Shaft-Axle
19	104-5304	1	Swashplate-Trunnion	50	112-9859	1	Bushing-Axle
21	104-2116	1	Stud	52	106-8686	1	Seal Kit
22	112-9853	1	Puck-Friction	54	121-5729	1	Fan Pulley Kit
24	114-8491	1	Washer	55	106-8688	1	Brake Arm Kit
27	120-5537	1	Spring-Compression	57	112-9861	1	Center Section Filter Kit
28	120-5538	1	Washer	58	104-2147	1	Sealant ●
29	104-5306	1	Shaft-Input	59	120-5549	1	Bypass Kit
30	104-5311	1	Bearing-Ball	61	114-1634	1	Filter Kit
32	104-5308	1	Spacer	100	106-8694	1	Disc-Brake, Cog
35	94-6922	2	Bearing-Thrust	138	112-9866	1	Breather Kit
36	104-5339	1	Washer-Flat	139	114-1635	1	Breather ASM
38	104-5316	1	Gear-Pinion, 13T	150	116-6214	1	Cap-Axle, Long
39	106-8683	1	Shaft-Motor	151	121-5734	1	Tube-Axle
40	104-5360	1	Washer	200	117-5362	1	Control Arm Kit
41	119-5541	2	Washer	224	109-3538	1	Hub Kit

● Not illustrated

# Right Hand Hydro Transaxle Assembly No. 119-3341

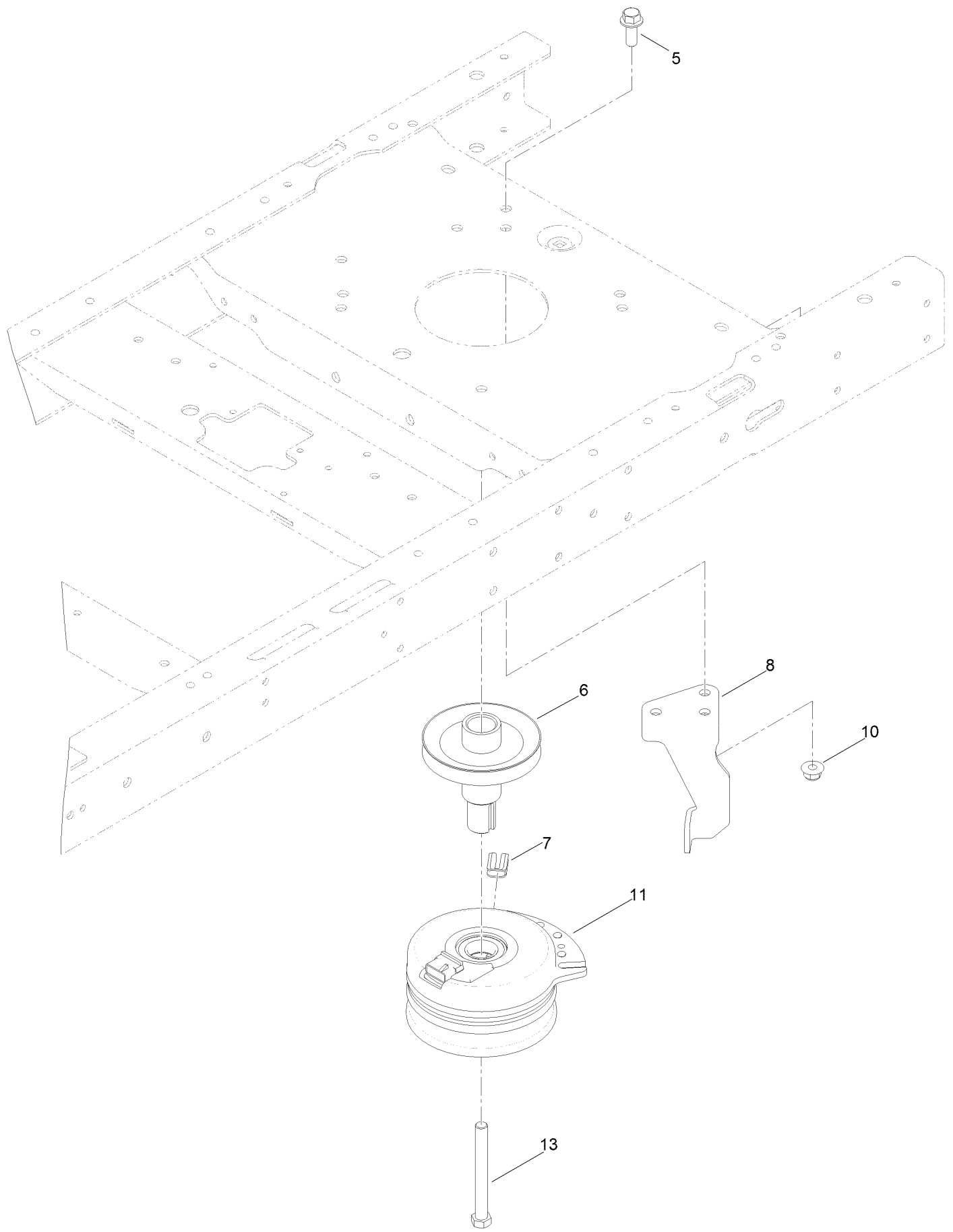


# Right Hand Hydro Transaxle Assembly No. 119-3341 (continued)

<i>Ref.</i>	<i>Part Number</i>	<i>Qty.</i>	<i>Description</i>	<i>Ref.</i>	<i>Part Number</i>	<i>Qty.</i>	<i>Description</i>
1	106-8674	1	Main Housing ASM	42	104-5317	1	Gear-10T/48T
2	106-8675	1	Side ASM	43	104-5318	1	Gear-Jackshaft, 10T
4	110-8561	1	Pump Block ASM	44	104-5329	1	Pin-Jackshaft
6	103-2666	1	Cylinder Block Kit	46	112-9855	1	Gear-52T, Bull
7	104-2189	1	Plug-Thread, Straight	47	112-9856	1	Washer
9	104-5305	16	Screw-HHF	48	112-9857	1	Bearing-Sleeve
15	106-8678	2	Rod-Bypass	49	121-5732	1	Shaft-Axle
19	104-5304	1	Swashplate-Trunnion	50	112-9859	1	Bushing-Axle
21	104-2116	1	Stud	52	106-8686	1	Seal Kit
22	112-9853	1	Puck-Friction	54	121-5729	1	Fan Pulley Kit
24	114-8491	1	Washer	55	106-8688	1	Brake Arm Kit
27	120-5537	1	Spring-Compression	57	112-9862	1	Center Section Filter Kit
28	120-5538	1	Washer	58	104-2147	1	Sealant ●
29	104-5306	1	Shaft-Input	59	107-2489	1	Bypass Arm Kit
30	104-5311	1	Bearing-Ball	61	114-1634	1	Filter Kit
32	104-5308	1	Spacer	100	106-8694	1	Disc-Brake, Cog
35	94-6922	2	Bearing-Thrust	138	112-9866	1	Breather Kit
36	104-5339	1	Washer-Flat	139	114-1635	1	Breather ASM
38	104-5316	1	Gear-Pinion, 13T	150	116-6214	1	Cap-Axle, Long
39	106-8683	1	Shaft-Motor	151	121-5734	1	Tube-Axle
40	104-5360	1	Washer	200	117-5362	1	Control Arm Kit
41	119-5541	2	Washer	224	109-3538	1	Hub Kit

● Not illustrated

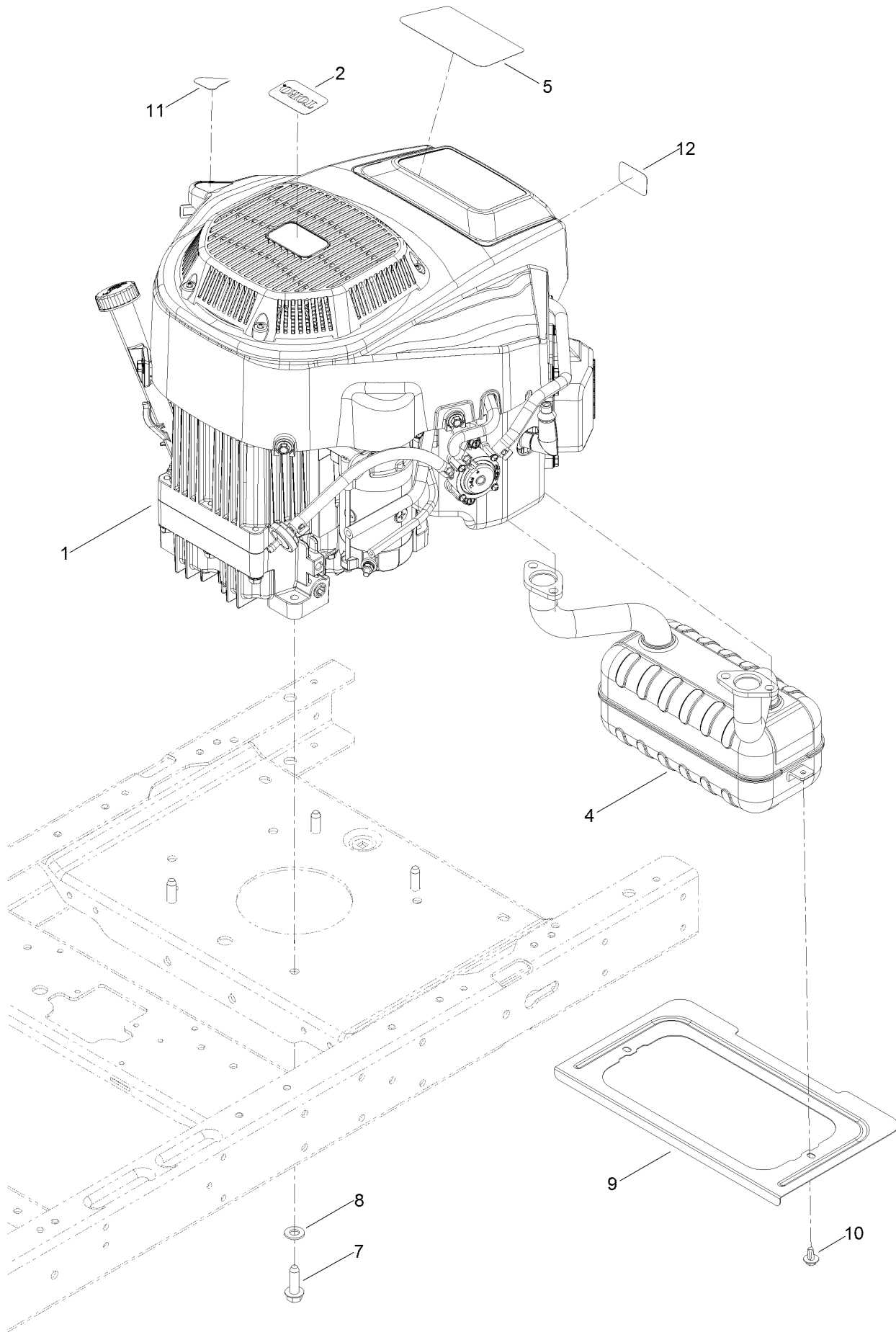
# Clutch Assembly



## Clutch Assembly (continued)

<i>Ref.</i>	<i>Part Number</i>	<i>Qty.</i>	<i>Description</i>	<i>Ref.</i>	<i>Part Number</i>	<i>Qty.</i>	<i>Description</i>
5	3234-42	1	Screw-HHF	10	104-8301	1	Nut-HF, NI
6	130-6854	1	Pulley-Engine	11	117-7468	1	Clutch-Electric
7	120-2217	1	Isolator-Clutch	13	3212-16	1	Screw-HH
8	119-8884	1	Stop-Clutch (Narrow)				

# Engine and Muffler Assembly



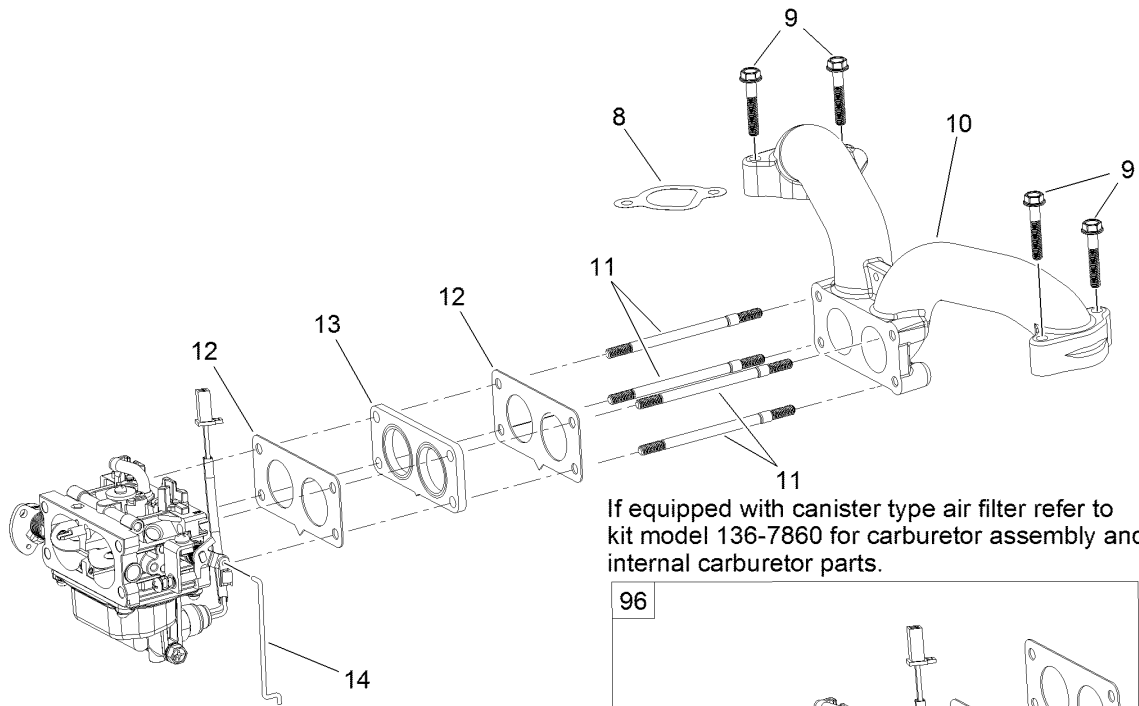
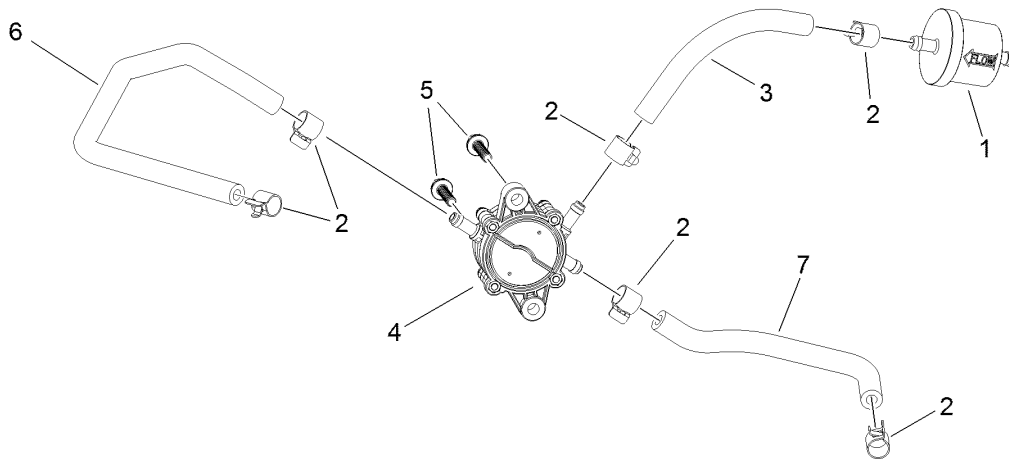


## Engine and Muffler Assembly (continued)

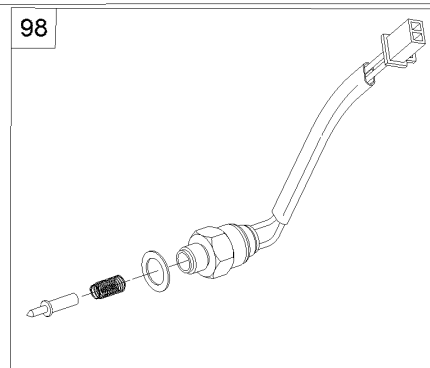
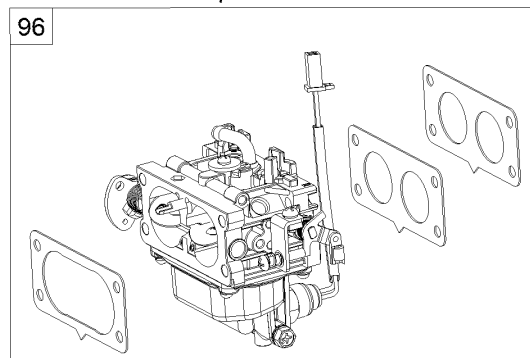
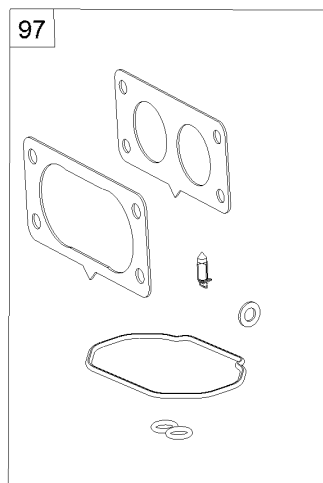
<i>Ref.</i>	<i>Part Number</i>	<i>Qty.</i>	<i>Description</i>	<i>Ref.</i>	<i>Part Number</i>	<i>Qty.</i>	<i>Description</i>
1	127-9041	1	Engine-2P77F	9	131-1071-03	1	Shield-Heat
2	131-4157	1	Decal	10	46-8560	2	Screw-HHFTF
4	131-4188	1	Muffler	11	131-1097	1	Decal-Drain, Oil
5	130-6917	1	Decal-Engine HP	12	127-9076	1	Placard-Intake
7	32144-109	4	Screw-Taptite	99	505-18	1	Anti-Seize, Saf-T-Eze ●
8	3256-24	3	Washer-Flat	99	505-33	1	Loctite-243 ●

● Not illustrated

# Fuel System Assembly with Non-Canister Style Air Filter



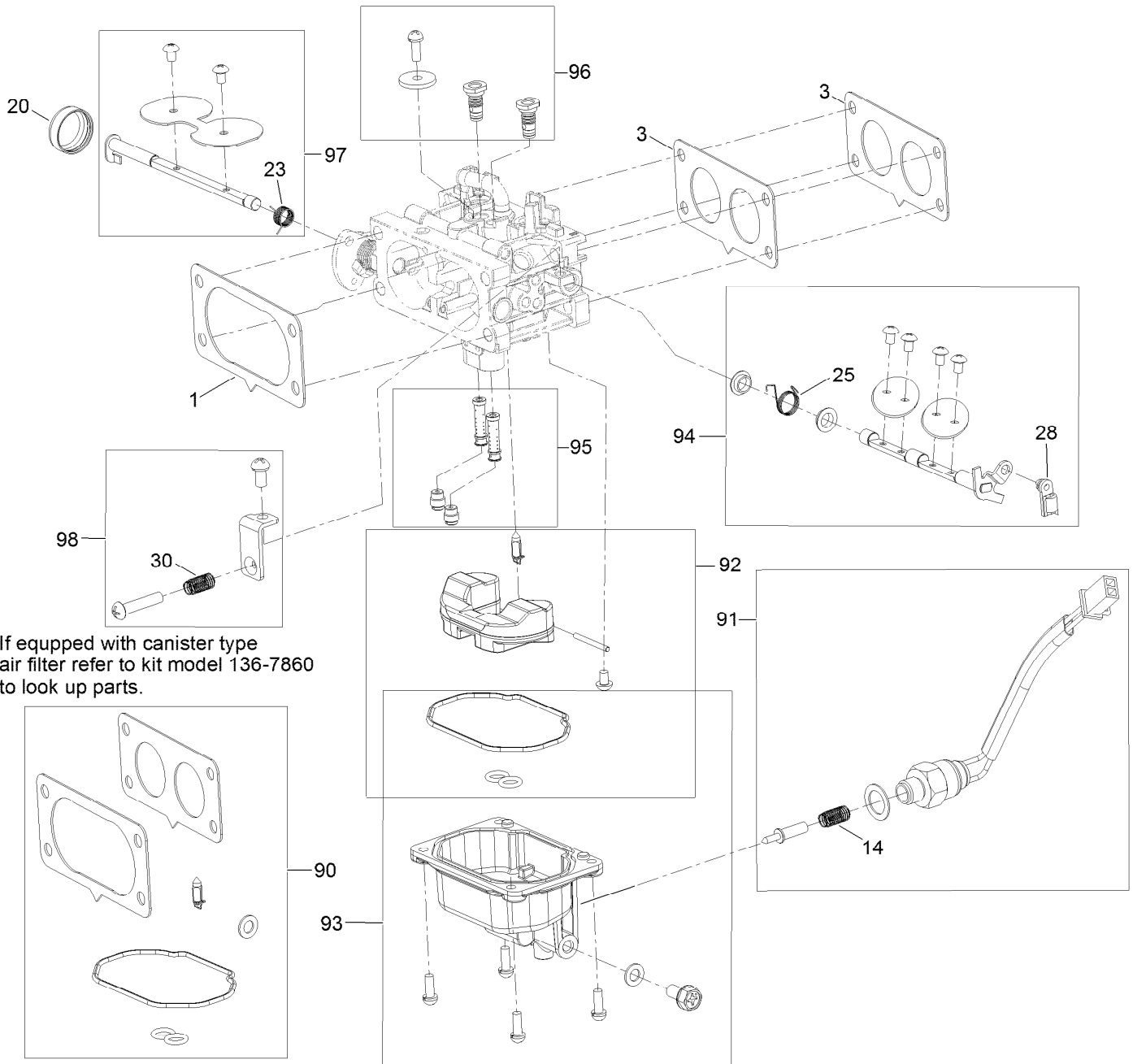
If equipped with canister type air filter refer to kit model 136-7860 for carburetor assembly and internal carburetor parts.



## Fuel System Assembly with Non-Canister Style Air Filter (continued)

<i>Ref.</i>	<i>Part Number</i>	<i>Qty.</i>	<i>Description</i>	<i>Ref.</i>	<i>Part Number</i>	<i>Qty.</i>	<i>Description</i>
1	127-9204	1	Filter-Fuel	10	127-9244	1	Manifold-Intake
2	120-4251	6	Clamp-Fuel Line	11	127-9245	4	Stud
3	120-4371	1	Line-Fuel	12	127-9246	2	Gasket-Carburetor
4	127-9206	1	Pump-Fuel	13	127-9247	1	Insulator-Carburetor
5	120-4225	2	Screw-HHF	14	127-9248	1	Linkage-Throttle
6	127-9205	1	Hose-Fuel	96	127-9289	1	Carburetor Replacement Kit
7	127-9207	1	Hose-Fuel	97	127-9290	1	Carburetor Repair Kit
8	127-9230	2	Gasket-Intake	98	127-9292	1	Solenoid Kit
9	120-4284	4	Screw-HHF				

# Carburetor Assembly with Non-Canister Style Air Filter

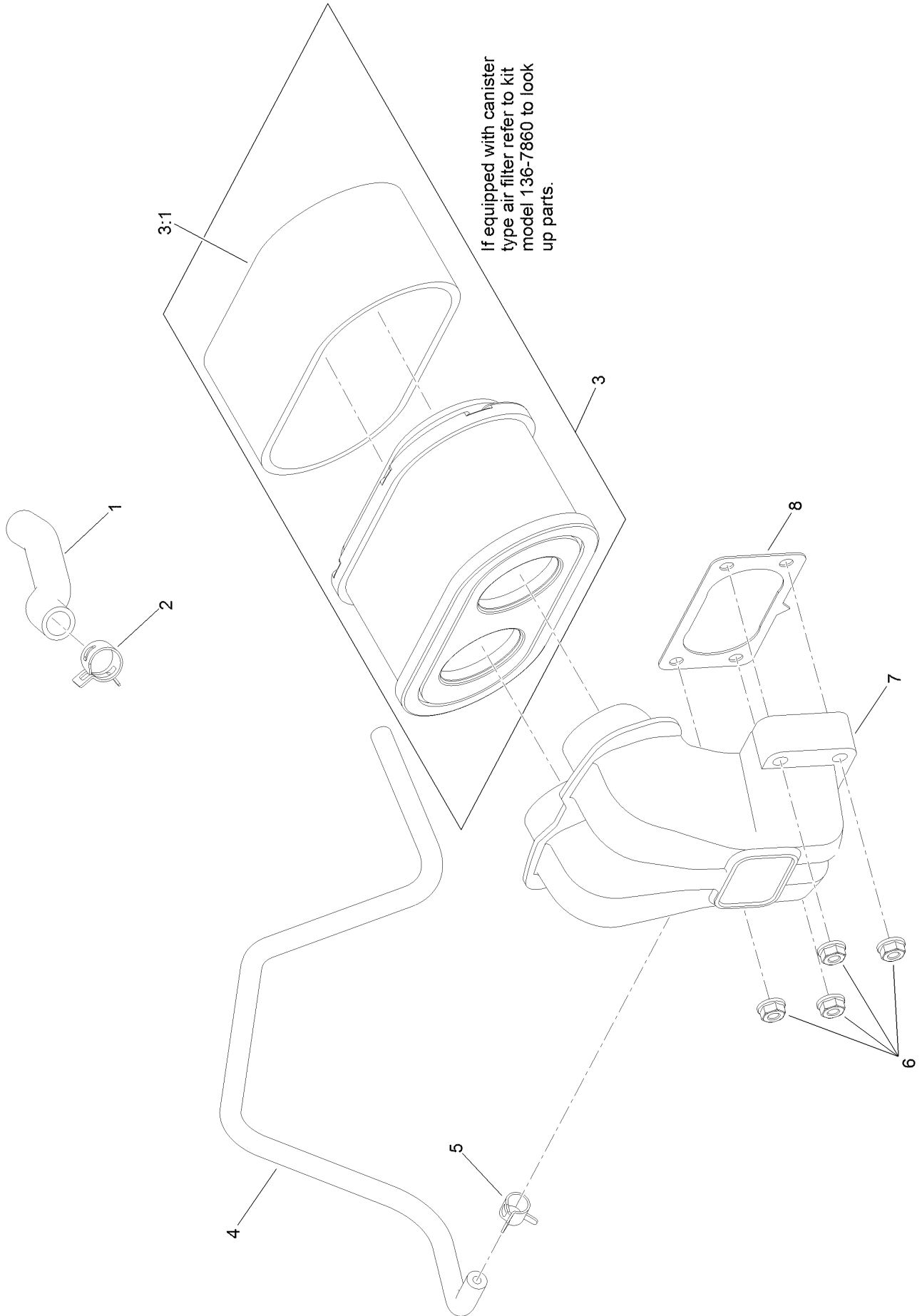


If equipped with canister type  
air filter refer to kit model 136-7860  
to look up parts.

## Carburetor Assembly with Non-Canister Style Air Filter (continued)

<i>Ref.</i>	<i>Part Number</i>	<i>Qty.</i>	<i>Description</i>	<i>Ref.</i>	<i>Part Number</i>	<i>Qty.</i>	<i>Description</i>
1	127-9249	1	Carburetor	90	127-9290	1	Carburetor Repair Kit
1	127-9251	1	Gasket-Carburetor	91	127-9292	1	Solenoid Kit
3	127-9246	2	Gasket-Carburetor	92	127-9340	1	Float Kit
14	127-9319	1	Spring	93	127-9341	1	Bowl Kit
20	127-9325	1	Cover-Shaft, Choke	94	127-9342	1	Throttle Shaft Kit
23	127-9328	1	Spring	95	127-9343	1	Nozzle And Jet Kit
25	127-9330	1	Spring	96	127-9344	1	Air Jet Kit
28	127-9333	1	Clamp-Lock	97	127-9345	1	Choke Shaft Kit
30	127-9335	1	Spring	98	127-9347	1	Idlestop Kit

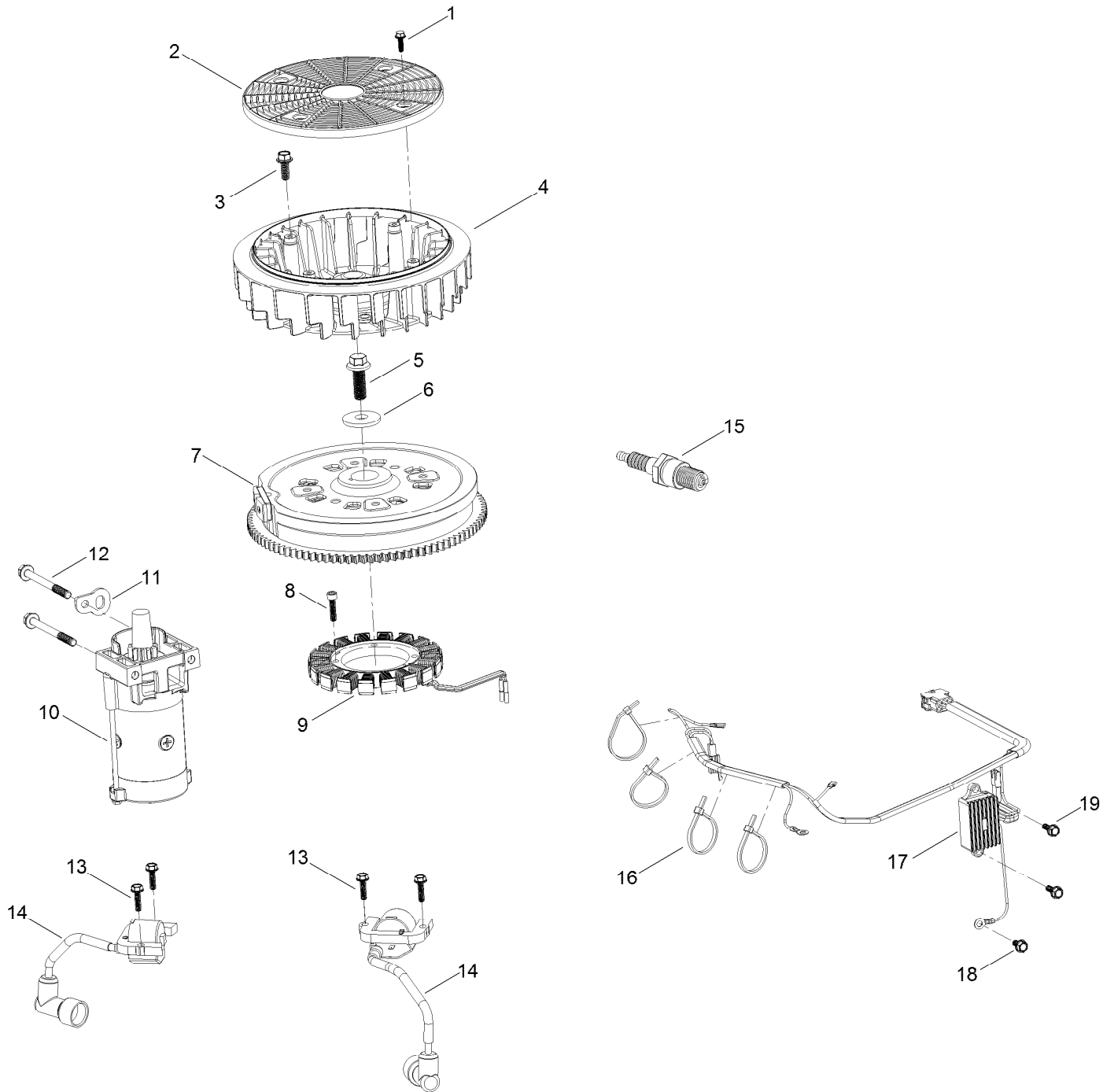
# Air Intake and Filtration Assembly with Non-Canister Style Air Filter



## Air Intake and Filtration Assembly with Non-Canister Style Air Filter (continued)

<i>Ref.</i>	<i>Part Number</i>	<i>Qty.</i>	<i>Description</i>	<i>Ref.</i>	<i>Part Number</i>	<i>Qty.</i>	<i>Description</i>
1	127-9235	1	Tube-Breather	5	127-9187	1	Clamp-Hose
2	127-9234	2	Clamp-Hose	6	120-4236	4	Nut-Flange
3	127-9252	1	Filter-Air, Complete	7	127-9047	1	Manifold-Filter, Air
3:1	127-9288	1	Filter-Pre, Foam	8	127-9251	1	Gasket-Carburetor
4	127-9253	1	Hose-Fuel				

# Ignition and Electrical Assembly

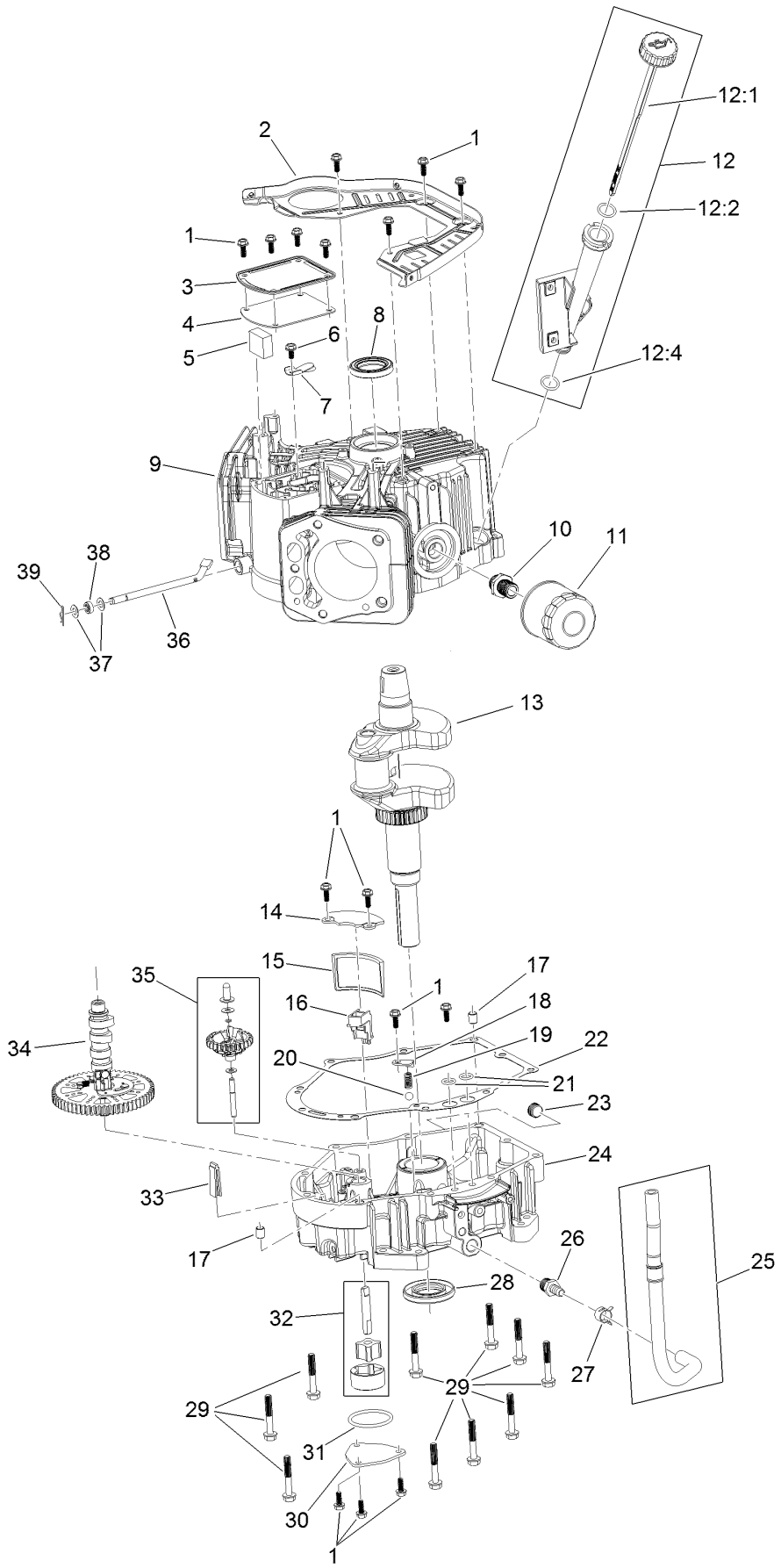




## Ignition and Electrical Assembly (continued)

<i>Ref.</i>	<i>Part Number</i>	<i>Qty.</i>	<i>Description</i>	<i>Ref.</i>	<i>Part Number</i>	<i>Qty.</i>	<i>Description</i>
1	127-9197	4	Screw-HWH	11	127-9208	1	Bracket-Lift
2	127-9198	1	Screen-Rotating	12	120-4231	2	Screw-HHF
3	127-9199	4	Screw-HWH	13	121-0007	4	Bolt-Flange
4	127-9200	1	Fan-Cooling	14	127-9216	2	Ignition Coil ASM
5	127-9201	1	Screw-HWH	15	81-3250	2	Spark Plug
6	127-9202	1	Washer-Flat	16	127-9220	4	Tie-Zip
7	127-9306	1	Flywheel	17	127-9219	1	Regulator-Voltage W/Harness
8	127-9210	4	Screw-HSH	18	120-4216	1	Screw-HHF
9	127-9211	1	Alternator	19	120-4232	2	Screw-HHF
10	127-9209	1	Motor-Starter				

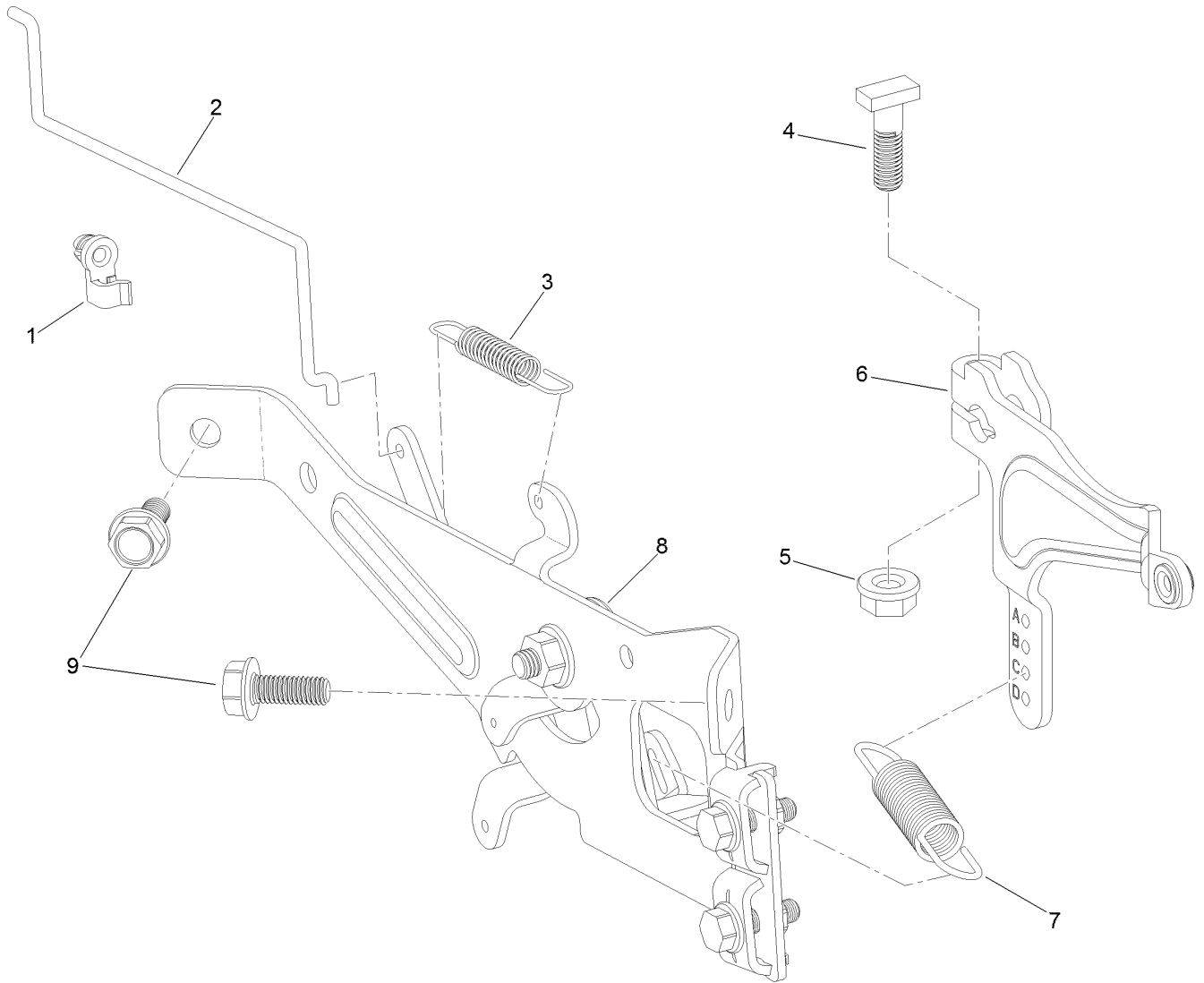
# Crankcase and Crankshaft Assembly



## Crankcase and Crankshaft Assembly (continued)

<i>Ref.</i>	<i>Part Number</i>	<i>Qty.</i>	<i>Description</i>	<i>Ref.</i>	<i>Part Number</i>	<i>Qty.</i>	<i>Description</i>
1	120-4232	14	Screw-HHF	19	127-9265	1	Spring
2	127-9212	1	Baffle	20	127-9266	1	Valve-Ball
3	127-9213	1	Cover-Breather	21	120-4262	2	O-Ring
4	127-9214	1	Gasket-Breather	22	127-9267	1	Gasket-Cover, Crankcase
5	127-9215	1	Filter-Breather	23	120-4285	1	Plug-Drain
6	120-4216	1	Screw-HHF	24	127-9268	1	Cover-Crankcase
7	127-9217	1	Valve-Breather	25	127-9293	1	Oil Drain Hose ASM
8	120-4267	1	Seal-Oil	26	127-9275	1	Fitting-Hose
9	127-9223	1	Crankcase	27	127-9276	1	Clamp-Hose
10	127-9221	1	Fitting-Threaded, Oil Filter	28	127-9271	1	Seal
11	127-9222	1	Filter-Oil	29	121-0473	10	Screw-HHF
12	127-9218	1	Oil Tube ASM	30	127-9274	1	Cover-Oil Pump
12:1	127-9283	1	Dipstick	31	127-9273	1	O-Ring
12:2	127-9284	1	O-Ring	32	127-9272	1	Oil Pump ASM
12:4	127-9286	1	O-Ring	33	120-4275	1	Deflector-Oil, Rubber
13	127-9255	1	Crankshaft	34	127-9269	1	Camshaft
14	127-9261	1	Cover-Screen, Oil	35	127-9270	1	Governor ASM
15	127-9262	1	Screen-Oil	36	127-9238	1	Rod-Governor
16	127-9263	1	Retainer-Screen	37	120-4258	2	Washer-Plain
17	120-4274	2	Pin-Dowel	38	120-4257	1	Seal-Oil
18	127-9264	1	Plate-Retainer	39	120-4256	1	Pin-Hair

# Governor Control Assembly



## Governor Control Assembly (continued)

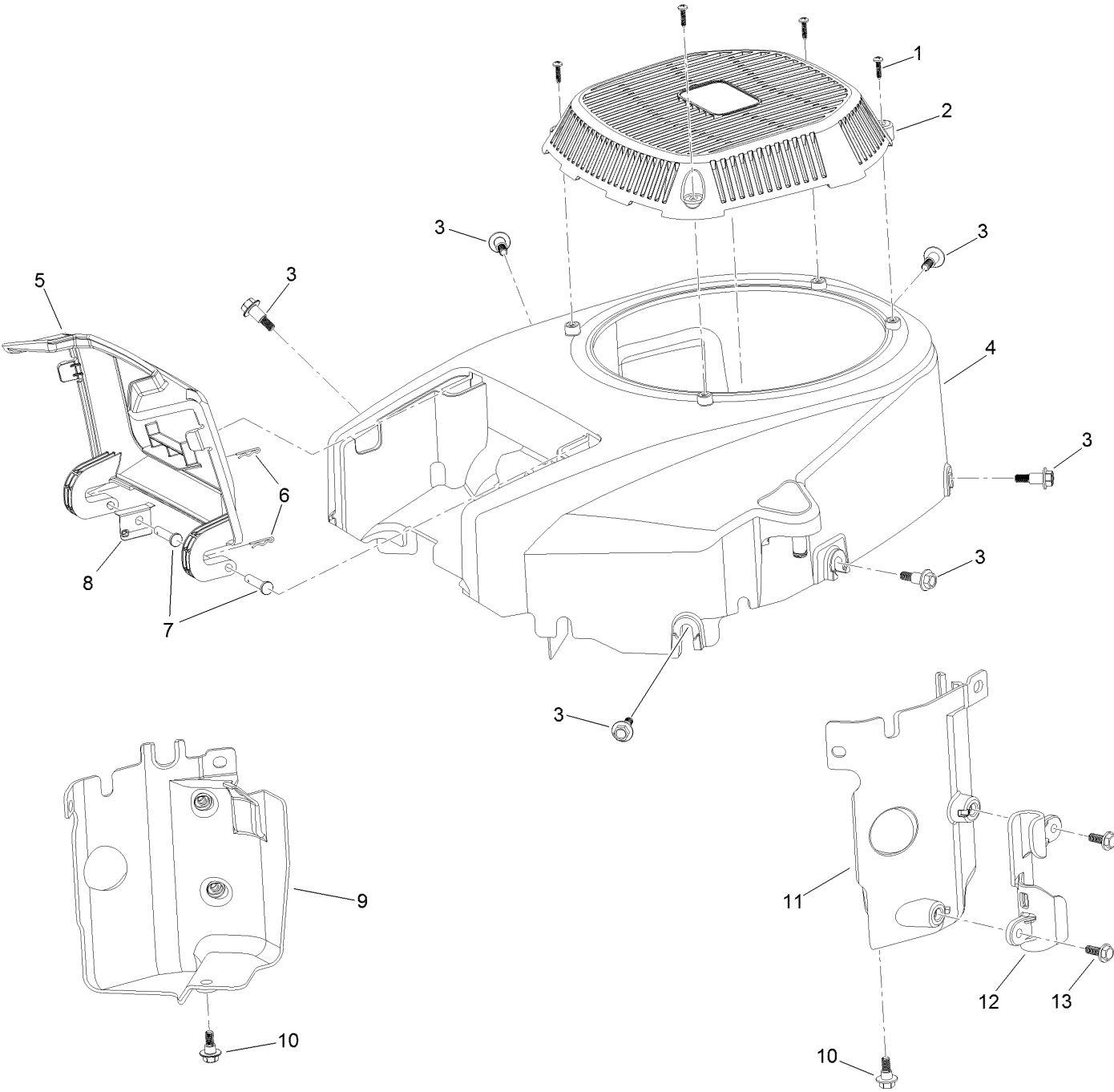
<i>Ref.</i>	<i>Part Number</i>	<i>Qty.</i>	<i>Description</i>	<i>Ref.</i>	<i>Part Number</i>	<i>Qty.</i>	<i>Description</i>
1	127-9250	1	Clip-Linkage	6	127-9239	1	Arm-Governor
2	127-9242	1	Linkage-Choke	7	127-9240	1	Spring-Governor
3	127-9241	1	Spring-Governor	8	127-9243	1	Plate-Control
4	120-4238	1	Bolt-Arm, Governor	9	120-4232	2	Screw-HHF
5	120-4236	1	Nut-Flange				



## Piston and Cylinder Head Assembly (continued)

<i>Ref.</i>	<i>Part Number</i>	<i>Qty.</i>	<i>Description</i>	<i>Ref.</i>	<i>Part Number</i>	<i>Qty.</i>	<i>Description</i>
1	127-9256	2	Connecting Rod ASM	16	121-0199	4	Nut-HH
2	127-9258	4	Clip-Pin, Piston	17	81-3250	2	Spark Plug
3	127-9257	2	Pin-Piston	18	127-9231	6	Screw-HWH
4	127-9259	2	Piston	19	127-9232	4	Screw-HWH
5	127-9260	2	Piston Ring Set	20	120-4303	4	Seat-Spring, Valve
6	127-9224	4	Lifter-Valve	21	120-4304	4	Seal-Stem, Valve
7	127-9225	4	Rod-Push	22	120-4305	4	Spring-Valve
8	127-9226	2	Gasket-Head, Cylinder	23	120-4306	4	Retainer-Spring, Valve
9	127-9227	4	Pin-Dowel	24	120-4307	4	Keeper-Valve
10	127-9228	2	Valve Set	25	127-9233	2	Plate-Guide, Push Rod
11	127-9229	1	Head-Cylinder	26	127-9294	4	Rocker Arm ASM
12	127-9254	1	Head-Cylinder	27	127-9295	2	Gasket-Valve Cover
13	127-9236	4	Stud	28	127-9050	2	Cover-Valve
14	120-4317	2	Gasket-Exhaust	29	120-4225	8	Screw-HHF
15	127-9279	4	Washer-Lock, Split	30	120-4214	1	Screw-Shoulder, HH

# Blower Housing Assembly

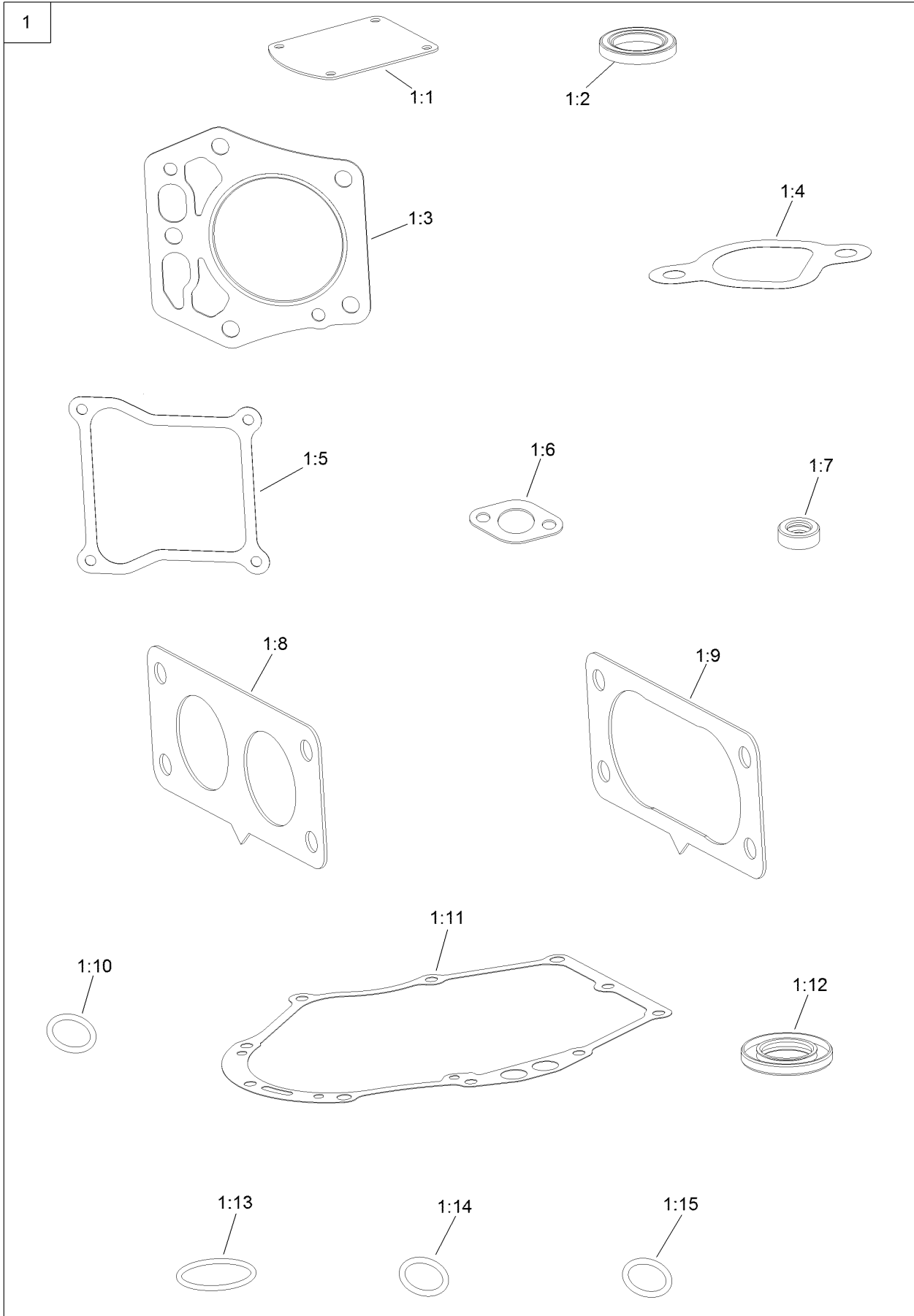




## Blower Housing Assembly (continued)

<i>Ref.</i>	<i>Part Number</i>	<i>Qty.</i>	<i>Description</i>	<i>Ref.</i>	<i>Part Number</i>	<i>Qty.</i>	<i>Description</i>
1	127-9195	4	Screw-Plastic, PPH	8	127-9281	1	Plate-Spring
2	127-9045	1	Cover-Fan	9	127-9049	1	Baffle-Air, Left
3	127-9196	6	Screw-Shoulder, HWH	10	120-4210	2	Screw-Shoulder, HHF
4	127-9044	1	Shroud-Engine	11	127-9048	1	Baffle-Air, Right
5	127-9046	1	Door-Filter, Air	12	127-9287	1	Cleat-Hose
6	127-9280	2	Pin-Hair	13	120-4232	2	Screw-HHF
7	127-9282	2	Pin				

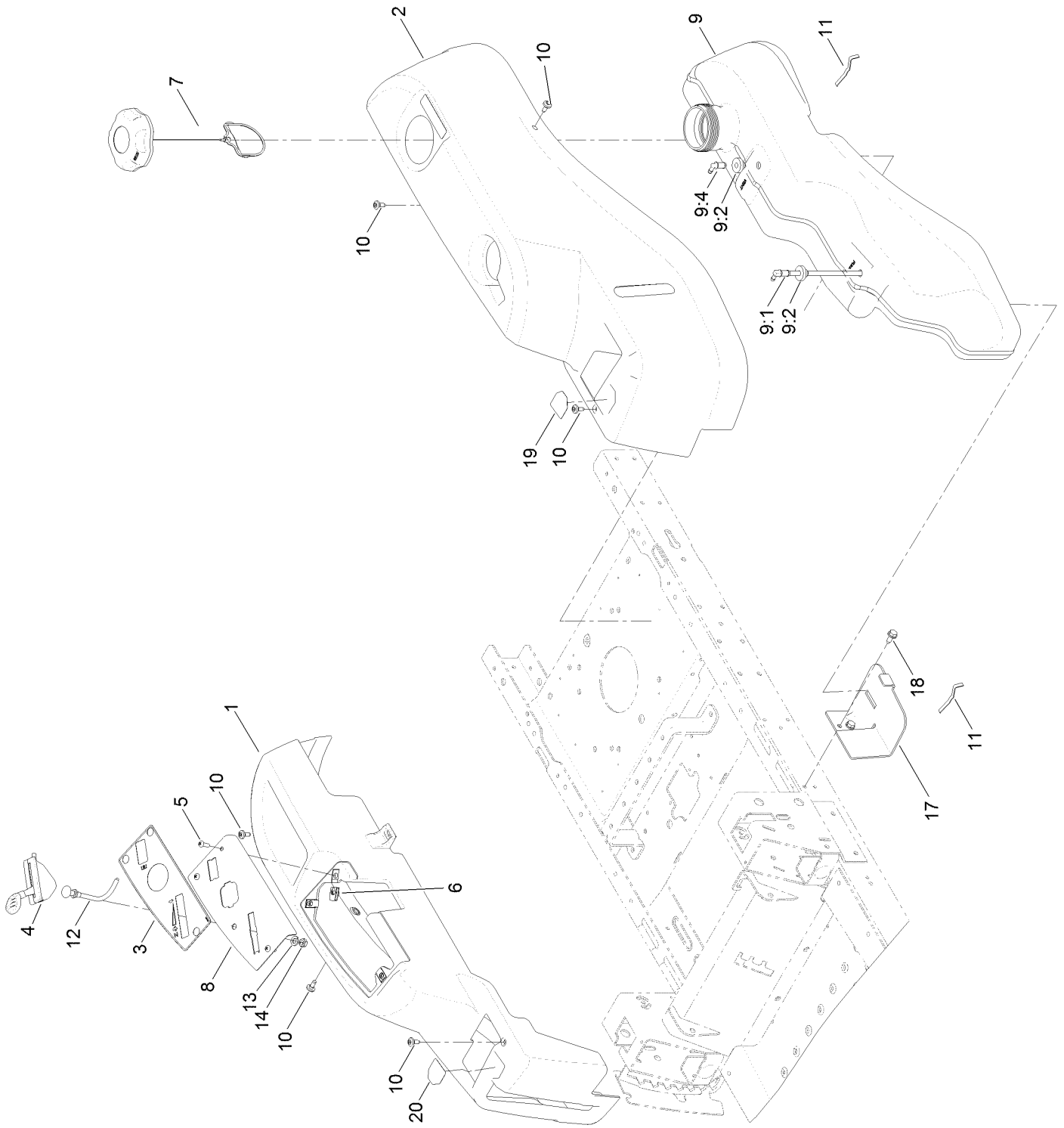
# Gasket and Seal Kit Assembly



## Gasket and Seal Kit Assembly (continued)

<i>Ref.</i>	<i>Part Number</i>	<i>Qty.</i>	<i>Description</i>	<i>Ref.</i>	<i>Part Number</i>	<i>Qty.</i>	<i>Description</i>
1	127-9296	1	Gasket And Seal Kit	1:8	127-9246	2	Gasket-Carburetor
1:1	127-9214	1	Gasket-Breather	1:9	127-9251	1	Gasket-Carburetor
1:2	120-4267	1	Seal-Oil	1:10	120-4262	2	O-Ring
1:3	127-9226	2	Gasket-Head, Cylinder	1:11	127-9267	1	Gasket-Cover, Crankcase
1:4	127-9230	2	Gasket-Intake	1:12	127-9271	1	Seal
1:5	127-9295	2	Gasket-Valve Cover	1:13	127-9273	1	O-Ring
1:6	120-4317	2	Gasket-Exhaust	1:14	127-9284	1	O-Ring
1:7	120-4257	1	Seal-Oil	1:15	127-9286	1	O-Ring

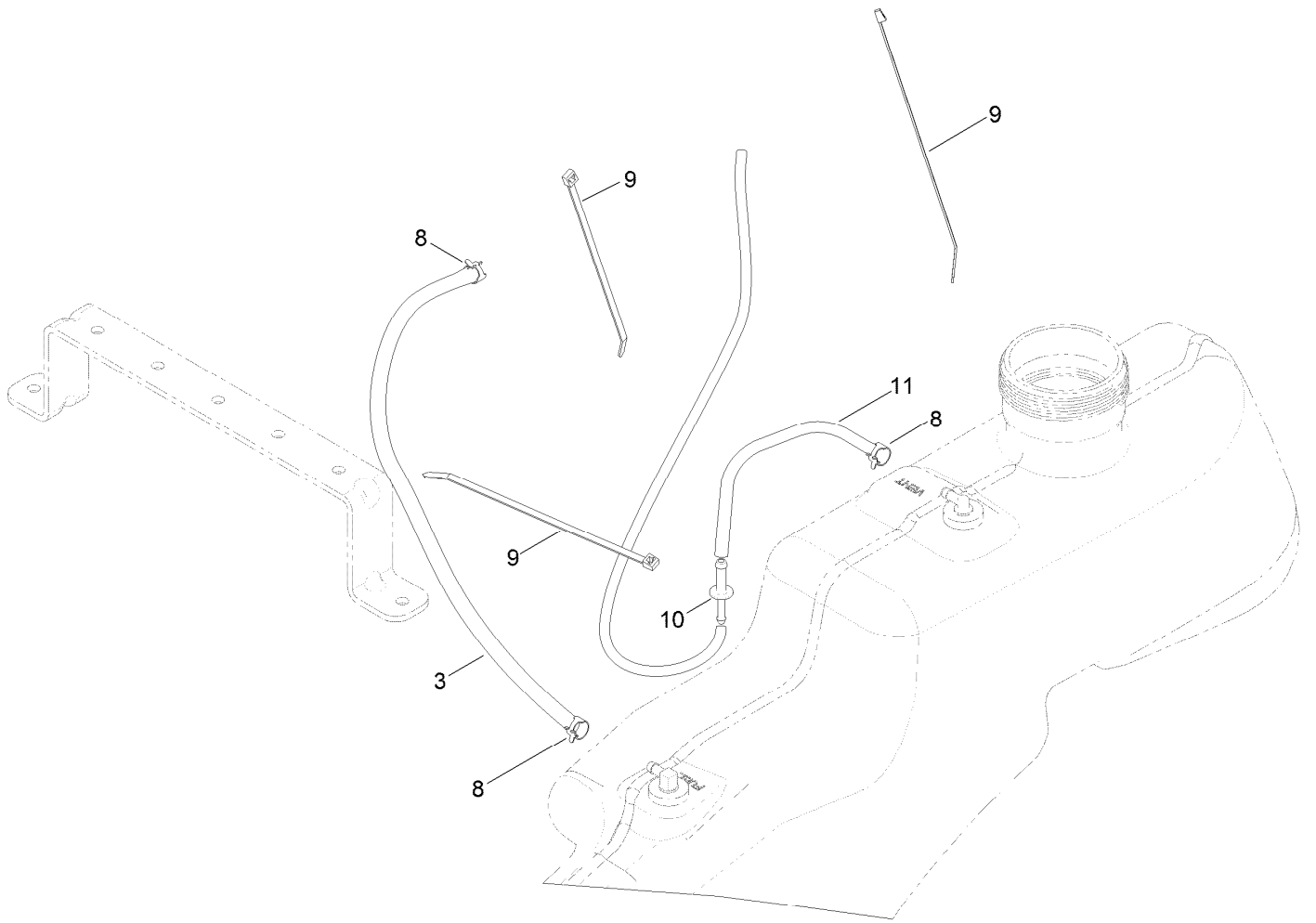
# Body Styling and Fuel Tank Assembly



## Body Styling and Fuel Tank Assembly (continued)

<i>Ref.</i>	<i>Part Number</i>	<i>Qty.</i>	<i>Description</i>	<i>Ref.</i>	<i>Part Number</i>	<i>Qty.</i>	<i>Description</i>
1	119-3335	1	Pod-RH	9:4	117-7400	1	Fitting-Plastic
2	119-3334	1	Pod-LH	10	120-7950	6	Screw-Shoulder
3	121-0772	1	Decal-Panel, Control	11	609830	2	Spring
4	121-0769	1	Cable-Throttle	12	112-9753	1	Cable-Choke
5	3258-166	3	Screw-PRH	13	3253-21	1	Washer-Lock
6	107069	3	Clip	14	3220-3	1	Nut-HJ
7	120-5461	1	Cap-Fuel, Ratcheting	17	119-3476-03	1	Support-Tank, Front
8	119-3378-03	1	Plate-Control	18	32144-70	2	Screw-HWHTF
9	119-3324	1	Fuel Tank ASM	19	119-8814	1	Decal-Lever, Control (LH)
9:1	121-0793	1	Connector-Elbow, 90 DEG	20	119-8815	1	Decal-Lever, Control (RH)
9:2	46-6560	2	Bushing				

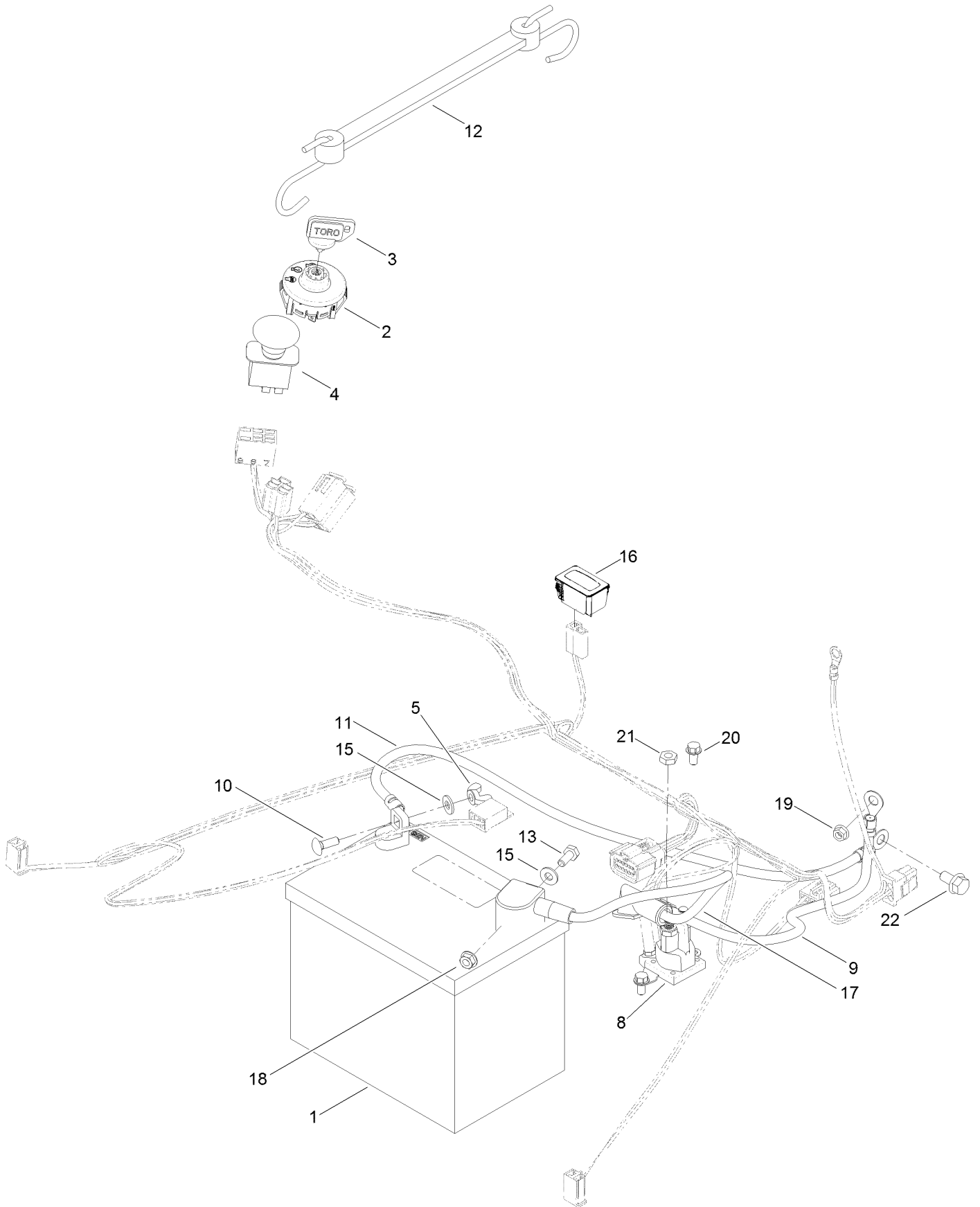
# Fuel Delivery Assembly



## Fuel Delivery Assembly (continued)

<i>Ref.</i>	<i>Part Number</i>	<i>Qty.</i>	<i>Description</i>	<i>Ref.</i>	<i>Part Number</i>	<i>Qty.</i>	<i>Description</i>
3	109-0281	1	Hose-Fuel	10	117-5399	1	Adaptor-Orifice
8	2412-98	3	Clamp-Hose	11	110-1876	1	Hose-Fuel
9	614249	3	Tie-Cable				

# Battery and Electrical Assembly

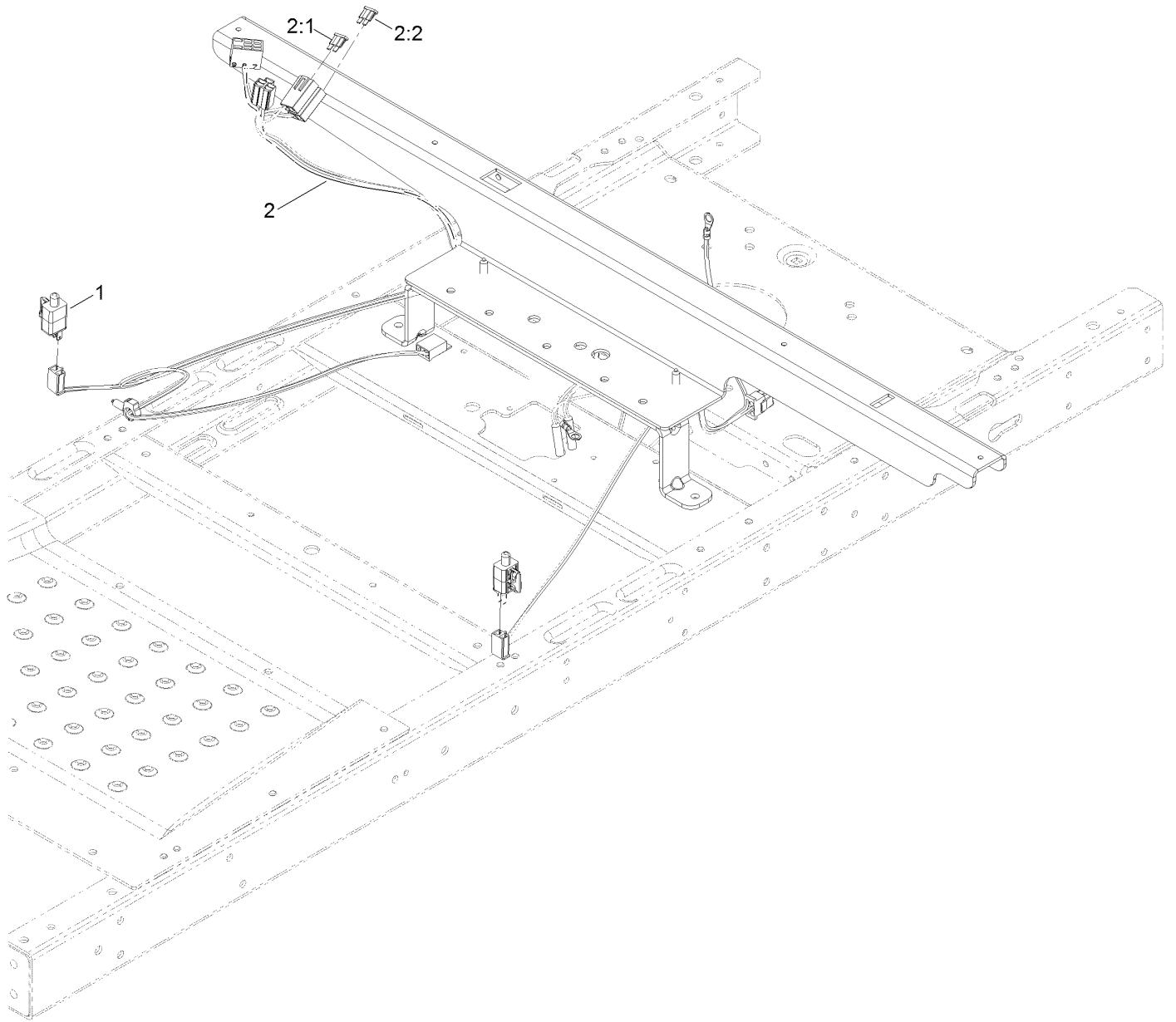




## Battery and Electrical Assembly (continued)

<i>Ref.</i>	<i>Part Number</i>	<i>Qty.</i>	<i>Description</i>	<i>Ref.</i>	<i>Part Number</i>	<i>Qty.</i>	<i>Description</i>
1	105-1692	1	Battery	13	321-3	1	Screw-HH
2	117-2221	1	Switch-Ignition	15	3256-22	2	Washer-Flat
3	63-8360	1	Key-Ignition	16	120-2244	1	Hourmeter
4	103-5221	1	Switch-PTO	17	119-8897	1	Cable-Battery, Red
5	32103-22	1	Nut-Wing	18	32128-33	1	Nut-HF
8	117-1197	1	Solenoid	19	33003-00	1	Nut-HF
9	121-0711	1	Cable-Battery, Positive	20	32144-4	2	Screw-HWH
10	3229-1	1	Bolt-CARR	21	3220-2	2	Nut-Jam
11	119-8899	1	Cable-Battery, Black	22	3234-14	1	Screw-HHF
12	104-2466	1	Holddown-Battery				

# Fuse and Wire Harness Assembly

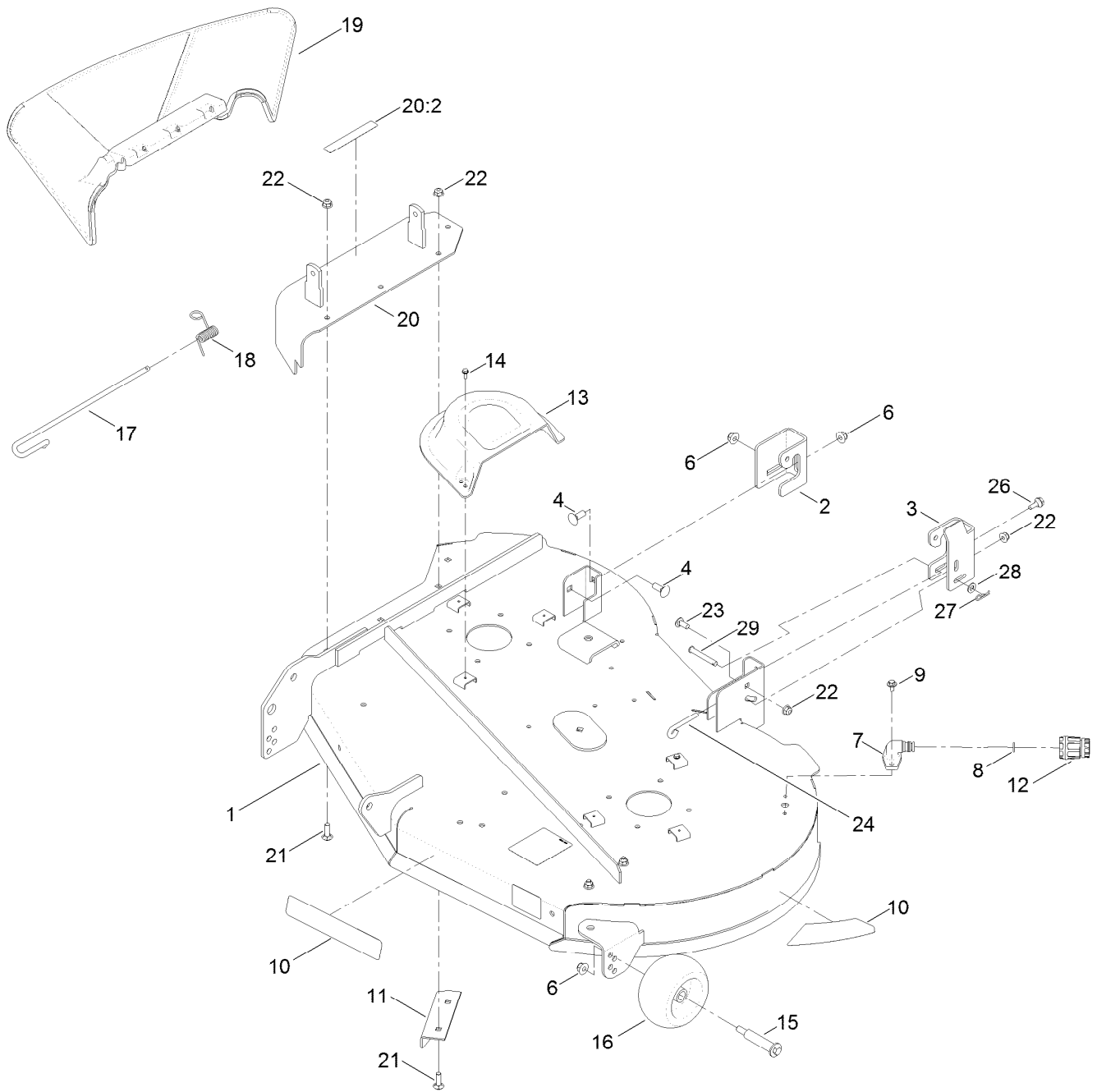


## Fuse and Wire Harness Assembly (continued)

<i>Ref.</i>	<i>Part Number</i>	<i>Qty.</i>	<i>Description</i>
1	110-6765	2	Switch
2	130-7013	1	Harness-Wire

<i>Ref.</i>	<i>Part Number</i>	<i>Qty.</i>	<i>Description</i>
2:1	109103	1	Fuse-Blade, 30 Amp
2:2	109102	1	Fuse-Blade, 25 Amp

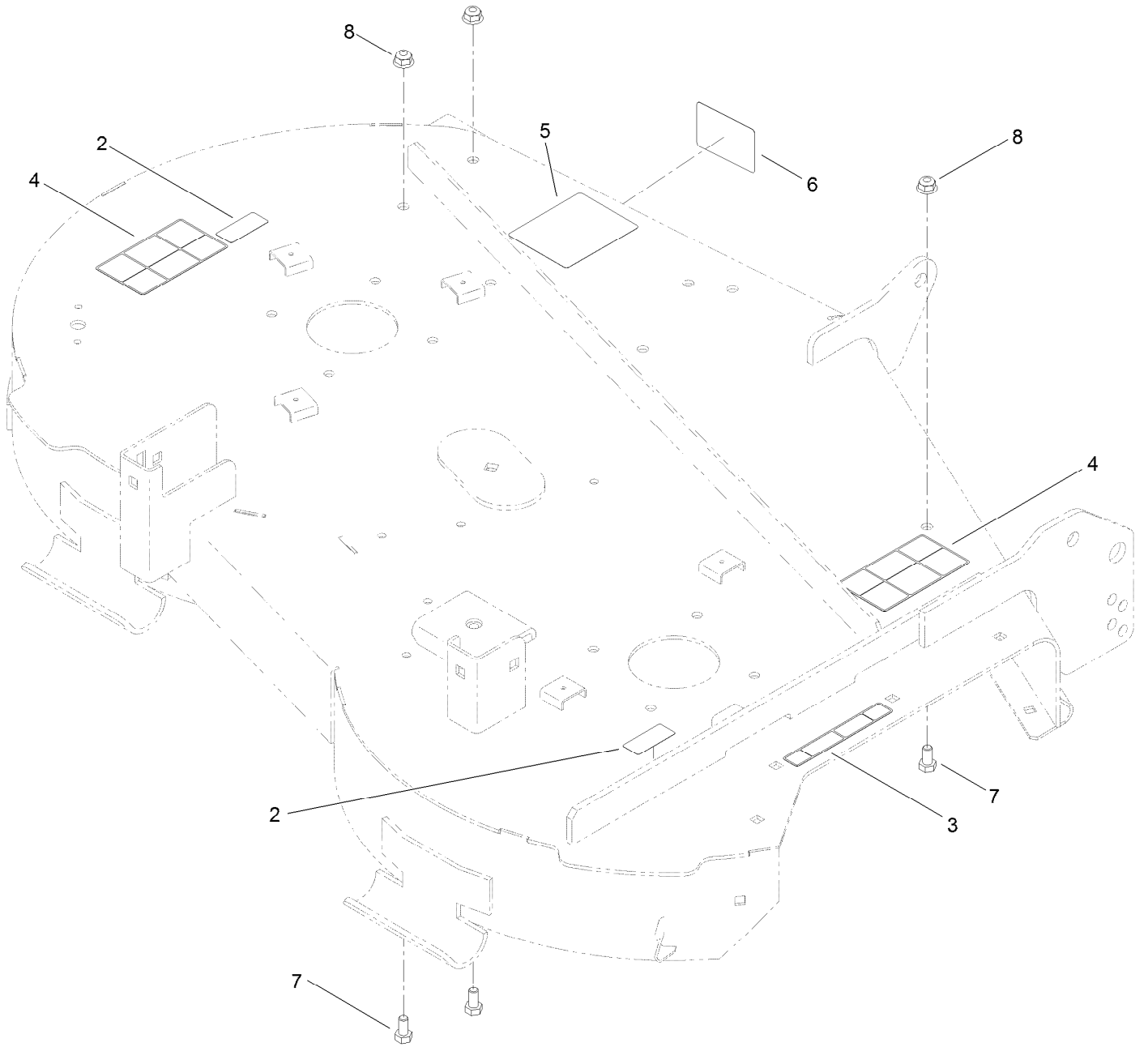
# 42 Inch Deck Assembly



## 42 Inch Deck Assembly (continued)

<i>Ref.</i>	<i>Part Number</i>	<i>Qty.</i>	<i>Description</i>	<i>Ref.</i>	<i>Part Number</i>	<i>Qty.</i>	<i>Description</i>
1	131-3608	1	42 In Deck And Decal ASM	16	1-603299	2	Roller-Scalp, Anti
2	131-4138	1	Bracket-Hanger, RH	17	109-8854	1	Pin-Chute
3	131-1091	1	Bracket-Hanger, LH	18	121-2983	1	Spring-Torsion
4	3231-2	2	Bolt-CARR	19	121-0739	1	Deflector-Discharge
6	104-8301	4	Nut-HF, NI	20	131-3961	1	Cover ASM W/Decal
7	95-2747	1	Fitting-Washout	20:2	93-7009	1	Decal-Danger
8	46-6290	1	O-Ring	21	3230-22	4	Screw-CARR
9	46-8560	2	Screw-HHFTF	22	104-8300	6	Nut-HF, NI
10	121-0791	1	Decal-Deck	23	3230-23	1	Screw-CARR
11	120-7951-03	1	Baffle-Cutoff	24	131-0955	1	Rod-Level, Deck
12	95-3270	1	Connector-Hose	26	120-7024	1	Screw-Shoulder, HHF
13	108-7889	2	Cover-Belt	27	1-806003	1	Pin-Cotter
14	32144-1	6	Screw-Taptite	28	3256-23	1	Washer-Plain
15	112-3977	2	Bolt-Shoulder	29	110-0618	1	Pin-Clevis

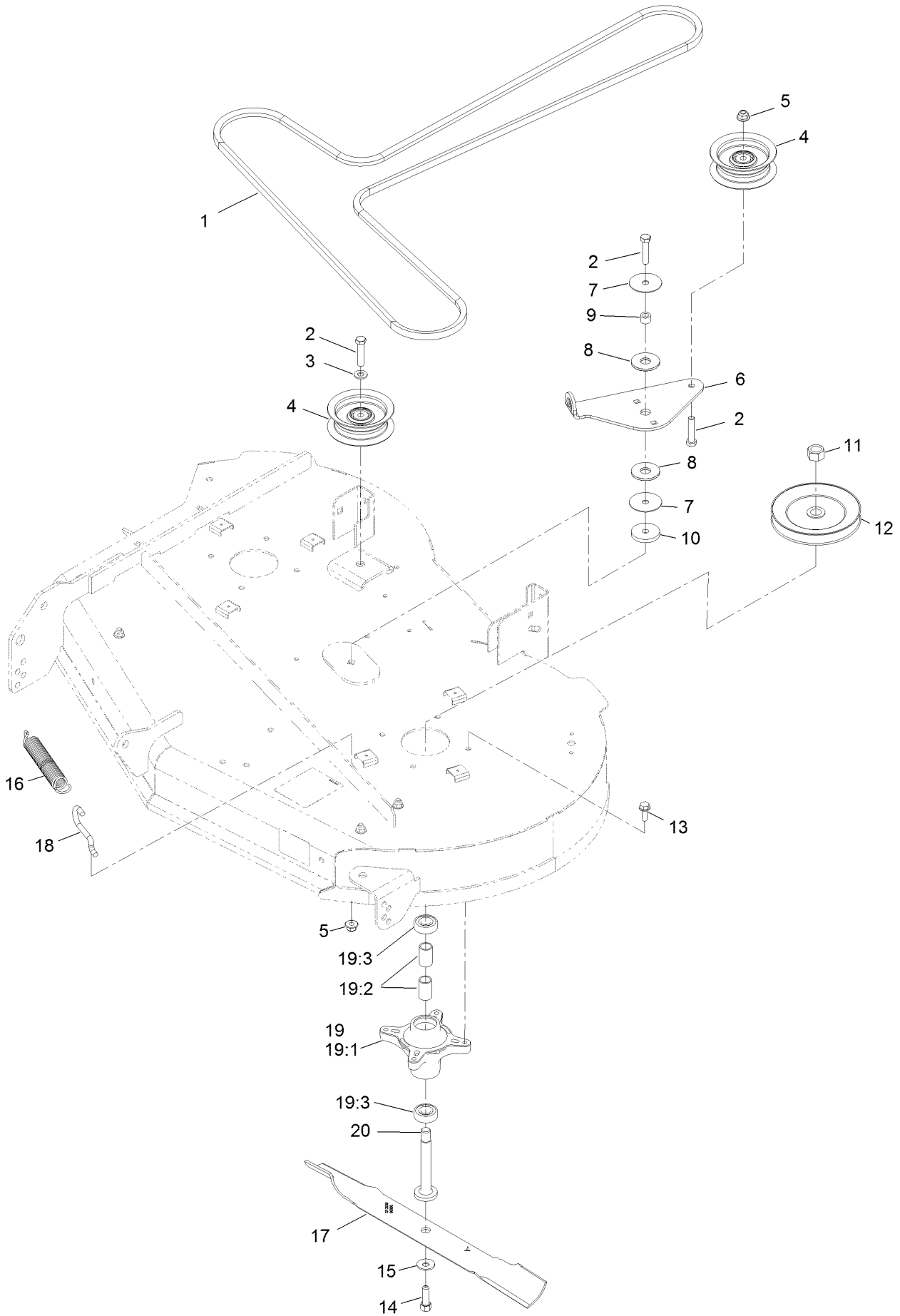
# 42 Inch Deck and Decal Assembly No. 131-3608



## 42 Inch Deck and Decal Assembly No. 131-3608 (continued)

<i>Ref.</i>	<i>Part Number</i>	<i>Qty.</i>	<i>Description</i>	<i>Ref.</i>	<i>Part Number</i>	<i>Qty.</i>	<i>Description</i>
2	114-1606	2	Decal-Danger	6	112-9840	1	Decal-Scalp, Anti
3	93-7009	1	Decal-Danger	7	322-2	3	Screw-HH
4	110-6691	2	Decal-Danger	8	104-8300	3	Nut-HF, NI
5	105-7015	1	Decal-Routing, Belt				

# 42 Inch Belt, Blade, and Spindle Assembly





## 42 Inch Belt, Blade, and Spindle Assembly (continued)

<i>Ref.</i>	<i>Part Number</i>	<i>Qty.</i>	<i>Description</i>	<i>Ref.</i>	<i>Part Number</i>	<i>Qty.</i>	<i>Description</i>
1	119-8819	1	V-Belt	13	32144-41	8	Screw-Taptite
2	323-9	3	Screw-HH	14	26-0671	2	Screw-HH
3	3256-24	1	Washer-Flat	15	3290-465	2	Washer-Belleville
4	106-2175	2	Pulley-Idler, Flat	16	106-2177	1	Spring-Extension
5	104-8301	2	Nut-HF, NI	17	131-3939-03	2	Blade-High Lift
6	114-8540	1	Arm-Idler	18	88-5970	1	Hook-Return, Spring
7	120-2229	2	Washer	19	121-0751	2	Spindle ASM
8	114-0463	2	Washer-Friction, Composite	19:1	117-7267	1	Spindle
9	115-4986	1	Spacer	19:2	120-7935	2	Spacer
10	110-9981	1	Washer-Plain	19:3	100-1048	2	Bearing-Ball
11	3219-6	2	Nut-Hex	20	117-7268	2	Shaft-Spindle
12	125-5574	2	Pulley				

# Attachments and Accessories

## For 74760 TimeCutter MX 4250 Riding Mower

<b>Product Name</b>	<b>Model/Part</b>
All Season Synthetic Oil.....	117-0066
Fuel Stabilizer (4oz).....	117-0089
Fuel Stabilizer (16oz).....	117-0090
Seat Cover w/Arm Rest .....	117-0097
Bagging Enhancement Kit .....	121-5698
Striping Kit .....	121-5702
Jack Mount Kit .....	126-5251
Jack Kit.....	127-6666
Replacement Blade Kit .....	131-3939-03P
Attachment Mount Kit .....	131-3966
42in Recycler Kit.....	131-4183
Weight Kit .....	131-7658
HD Air Cleaner Kit .....	136-7860
10w30 4-cycle Engine Oil (32oz Bottle) .....	38280
Toro 4-cycle SAE 30 Oil (32oz Bottle) .....	38903
Storage Cover .....	490-7516
Sunshade Kit .....	79011
Cargo Carrier.....	79040
Assist Handle and Step Kit .....	79339
42in Bagger .....	79385

**Notes:**



**Count on it.**