



Count on it.

Parts Catalog

Workman® GTX EFI

Utility Vehicle with Bench Seat

Model No. 07060—Serial No. 402700001 and Up



Ordering Replacement Parts

To order replacement parts, please supply the part number, the quantity, and the description of each part desired.

Understanding Reference Numbers

Each identified part in an illustration has a reference number. The reference number for a part also appears in the parts list, along with other information about the part.

This catalog uses two special reference number formats, one to indicate parts in a service assembly and another to indicate the quantity of a given part in an illustration.

Service Assembly Reference Numbers

Parts in service assemblies have reference numbers in the form a:b. The a represents the reference number of the entire service assembly and the b represents a sequential number unique to each part within the service assembly.

For example, a wheel assembly might be identified by reference number 6, the tire by 6:1, the valve by 6:2, and the wheel by 6:3. When you order the assembly identified by reference number 6, you receive all parts identified by reference numbers 6:1, 6:2, and 6:3. However, you may also order any part individually. Reference numbers of this type appear in illustration and in parts lists.

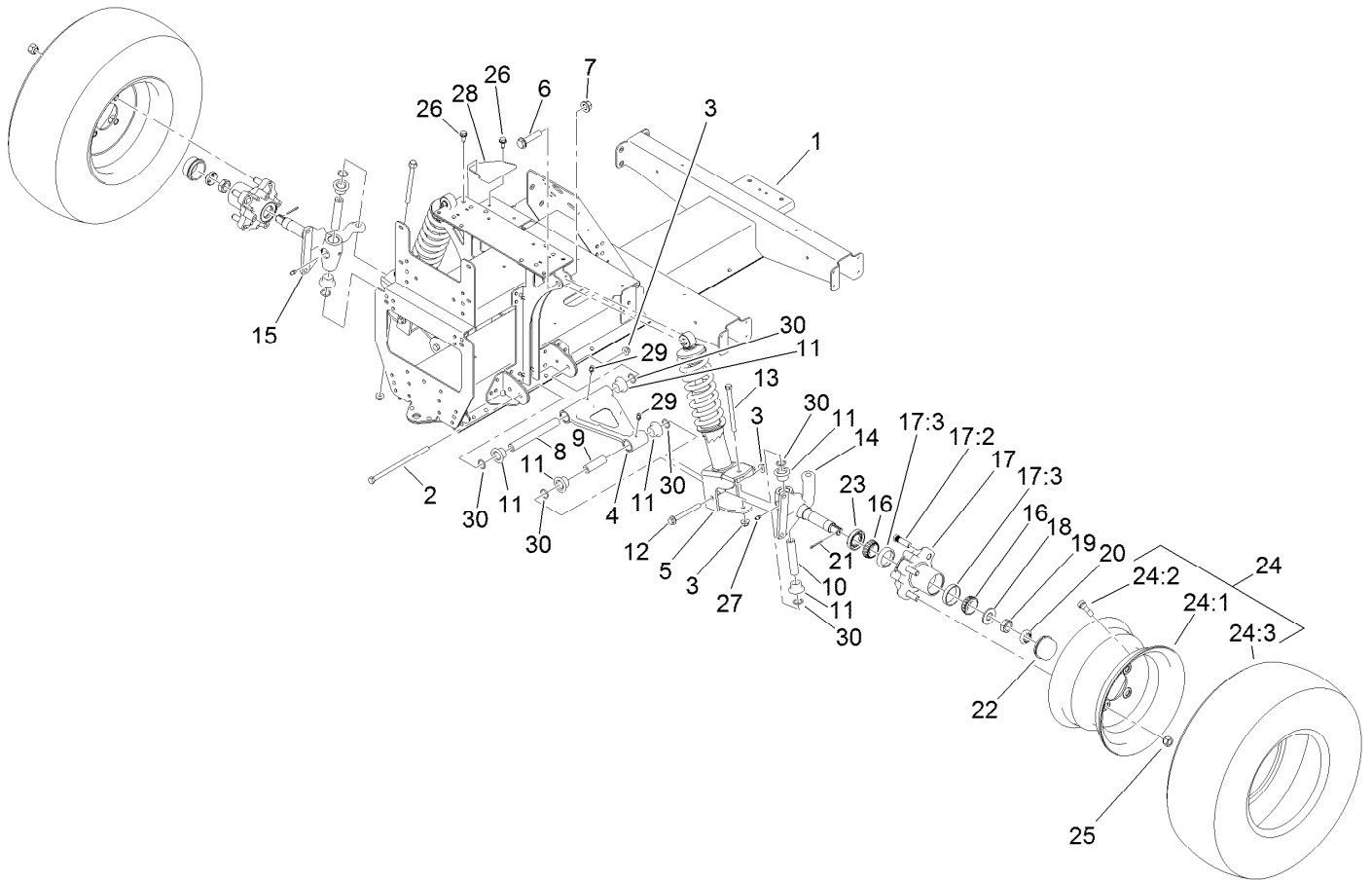
Reference Numbers Indicating Quantity

In an illustration, if a reference number indicates more than one part, the reference number has the form nX y. The n represents the quantity of the part, the X is the multiplication symbol, and the y represents the reference number.

For example, in an illustration, the reference number 2X 37 means that two of the parts identified by reference number 37 are indicated.

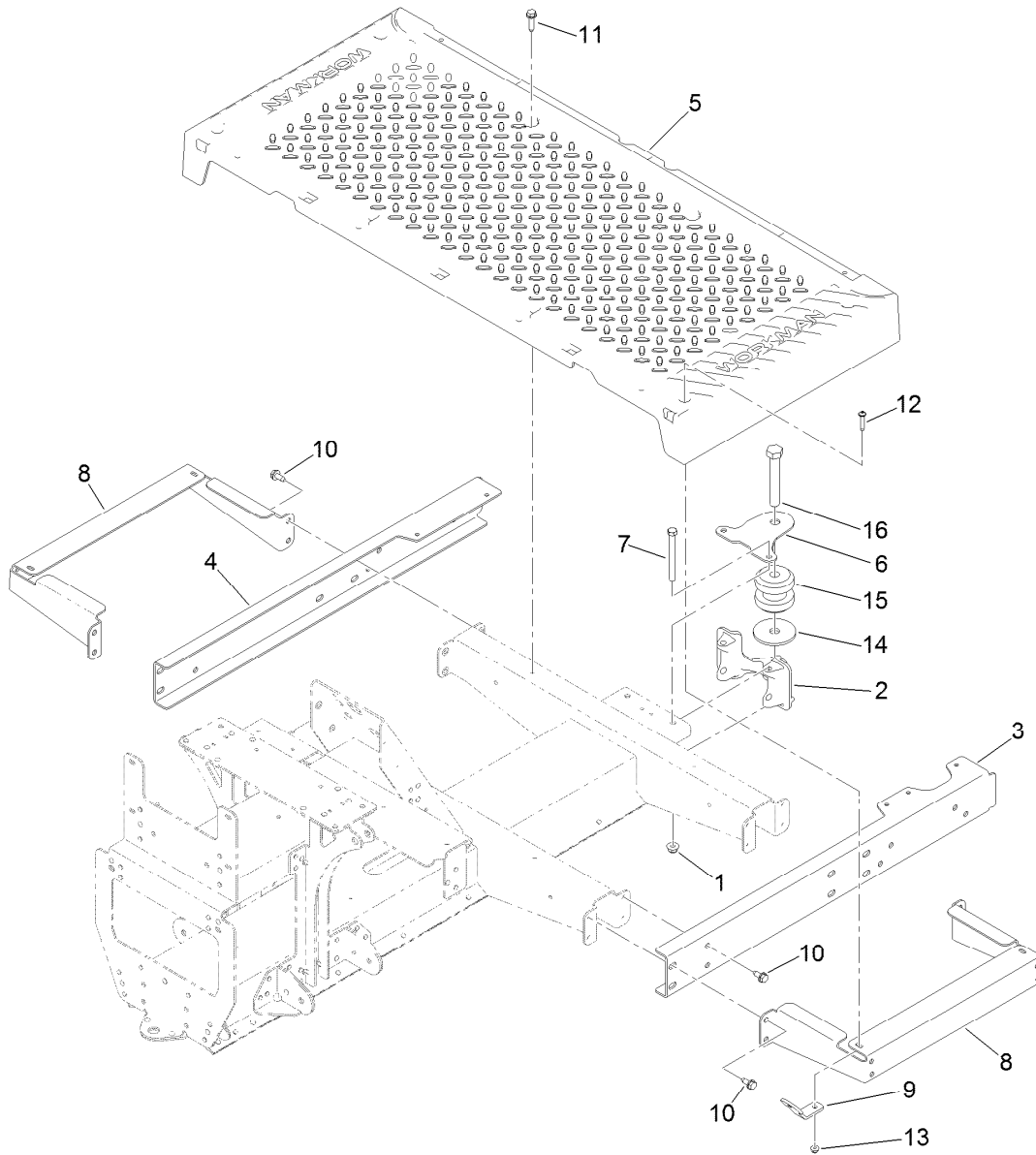
Contents

Front Frame and Suspension Assembly	4
Floor Plate and Rear Suspension Mount Assembly	5
Rear Frame and Suspension Assembly	6
Frame Mount and Rear Shock/Spring Assembly	7
Brake Assembly	8
Master Cylinder Assembly No. 104-6782	9
Brake Caliper Assembly No. 127-7424	10
Steering Assembly	11
Pedal and Control Assembly	12
Hood and Fender Assembly	13
Dash Assembly	14
Seatbase Assembly	15
Cargo Bed Assembly	16
Cargo Bed and Tailgate Assembly No. 131-8592	17
Engine Assembly	18
Starter Generator Assembly No. 131-8444	20
Secondary Clutch Assembly No. 119-6011	21
Air Cleaner Assembly No. 99-7120	22
Primary Clutch Assembly No. 131-8500	23
Rear Wheel and Transaxle Assembly	24
Transaxle Assembly No. 131-3486	26
Battery and Cable Assembly	28
Electrical Assembly	29
Fuel System Assembly	30
Attachments and Accessories	32



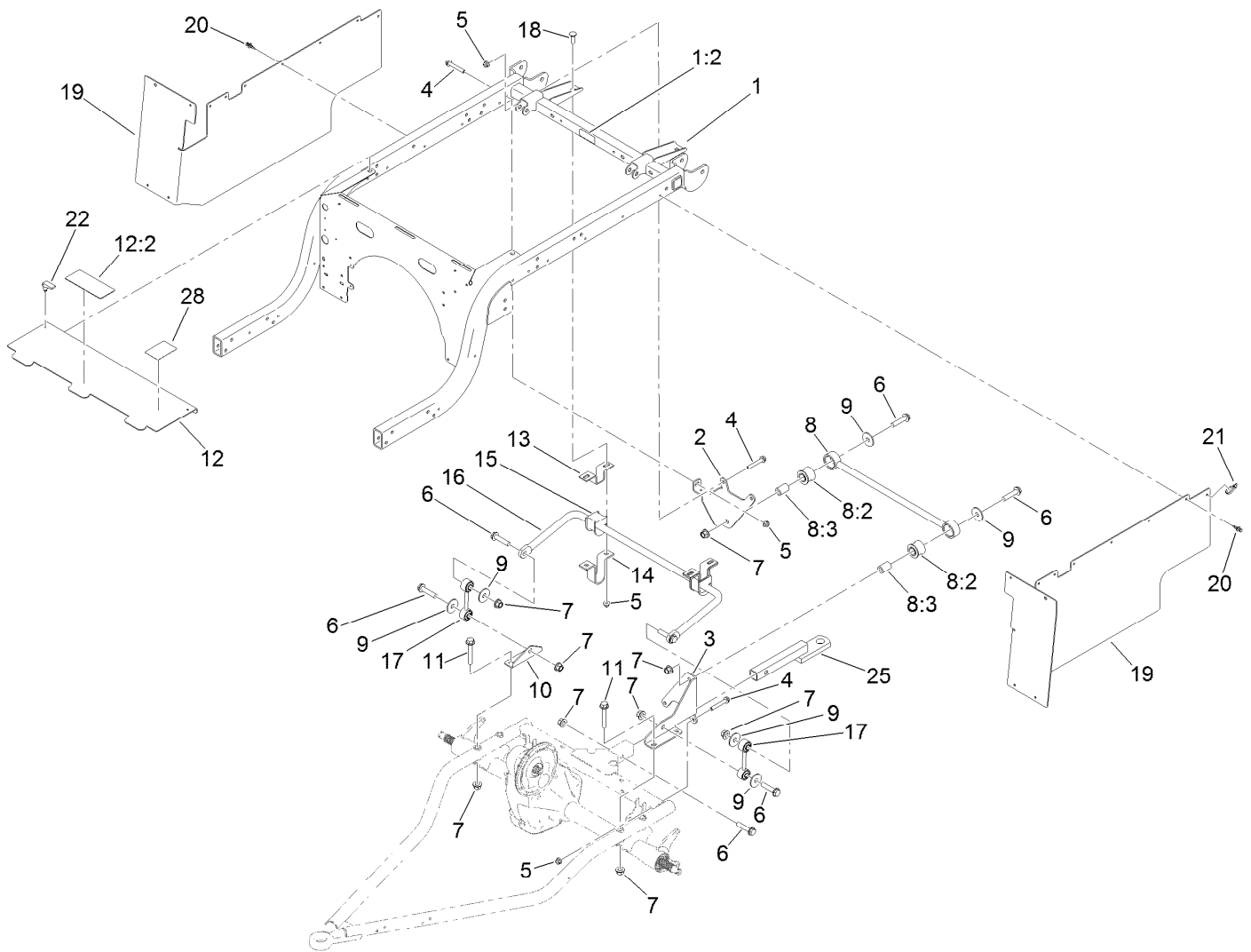
Front Frame and Suspension Assembly

Ref.	Part Number	Qty.	Description	Ref.	Part Number	Qty.	Description
1	127-7718-03	1	Frame-Front	17:3	254-72	2	Bearing-Cup, Tapered
2	131-8572	2	Screw-HF	18	93-0309	2	Washer-Tab
3	104-8301	6	Nut-HF, NI	19	3220-7	2	Nut-Jam
4	131-8345	2	A-Arm	20	93-0307	2	Nut-Lock, Retainer
5	127-8776	2	Strut ASM	21	3272-12	2	Pin-Cotter
6	3234-46	2	Screw-HHF	22	241-119	2	Cap-Dust
7	99-5107	2	Nut-Lock	23	112-1690	2	Seal-Oil
8	131-8581	2	Sleeve-Control Arm, Inner	24	131-8319	2	Tire/Wheel ASM
9	131-8583	2	Sleeve-Control Arm, Outer	24:1	131-8317	1	Wheel
10	131-8582	2	Sleeve-Kingpin	24:2	232-27	1	Stem-Valve
11	133-0643	12	Bushing-Flange, O-Ring	24:3	131-8318	1	Tire
12	116-4701	2	Screw-HHF	25	242-50	8	Nut-Lug
13	131-8571	2	Screw-HF	26	32144-70	2	Screw-HWHTF
14	127-8825-03	1	Spindle-LH	27	302-5	2	Fitting-Grease
15	127-8826-03	1	Spindle-RH	28	131-8339-03	1	Reinforcement-Tower
16	254-94	4	Bearing-Cone, Tapered	29	302-40	4	Fitting-Grease, 90 DEG
17	127-8851	2	Front Hub ASM	30	237-54	12	O-Ring
17:2	10-6830	4	Stud-Type, Drive				



Floor Plate and Rear Suspension Mount Assembly

<i>Ref.</i>	<i>Part Number</i>	<i>Qty.</i>	<i>Description</i>	<i>Ref.</i>	<i>Part Number</i>	<i>Qty.</i>	<i>Description</i>
1	104-8301	2	Nut-HF, NI	9	127-7832	2	Bracket-Angle
2	131-8466	1	Mount-Suspension, Rear	10	32144-70	16	Screw-HWHTF
3	127-7820-03	1	Channel-Frame, Front (LH)	11	32144-49	4	Screw-HWHTF
4	127-7821-03	1	Channel-Frame, Front (RH)	12	132-6777	4	Screw-TTH
5	127-7829	1	Plate-Floor	13	104-7201	4	Nut-HF
6	131-8597	1	Plate-Gimbal, Upper	14	110-4549	1	Washer-Snubbing
7	323-42	2	Screw-HH	15	131-8480	1	Isolator
8	127-7837-03	2	Bracket-Support, Floor Plate	16	104-5877	1	Screw-HH



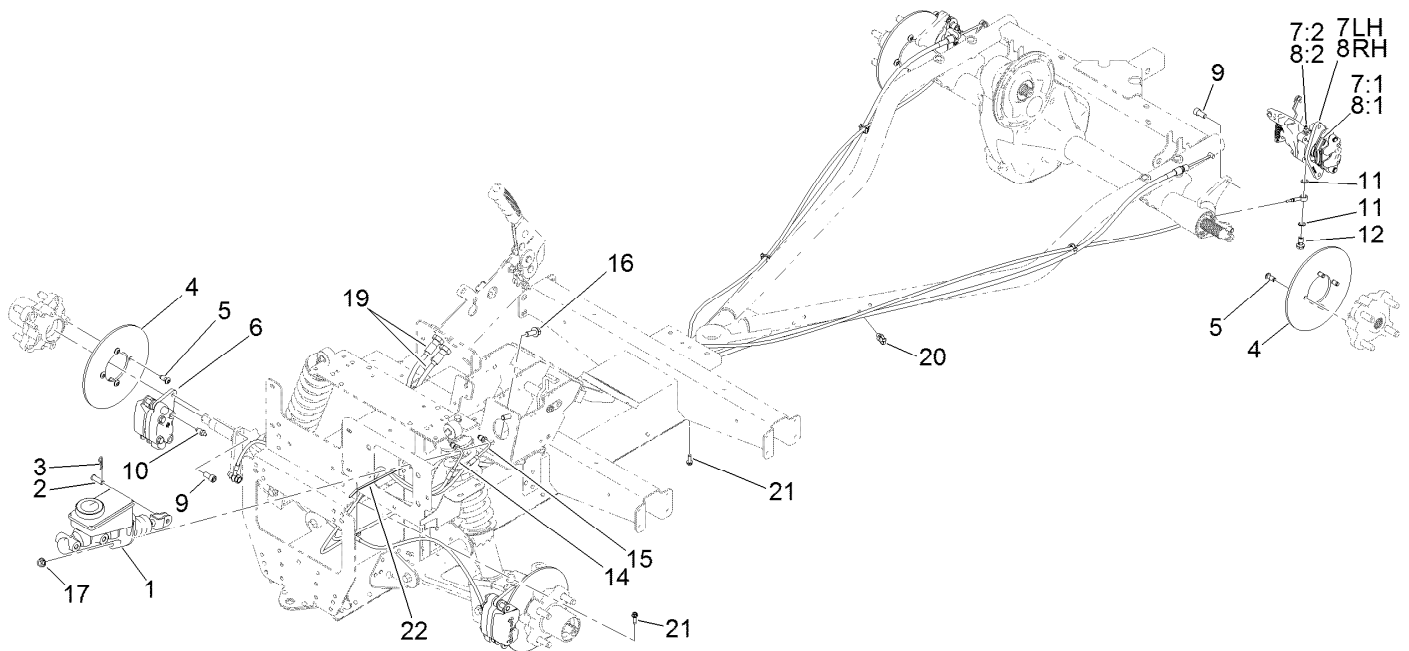
Rear Frame and Suspension Assembly

<i>Ref.</i>	<i>Part Number</i>	<i>Qty.</i>	<i>Description</i>	<i>Ref.</i>	<i>Part Number</i>	<i>Qty.</i>	<i>Description</i>
1	131-8594	1	Rear Frame ASM	12	131-8595	1	Panel-Cover
1:2	115-2047	1	Decal-Surface, Hot	12:2	99-7345	1	Decal-Warning
2	127-7412-03	1	Bracket-Bar, Stabilizer	13	87-3890-03	2	Bracket-Bar, Sway
3	127-7411-03	1	Bracket-Bar, Stabilizer	14	87-4010-03	2	Clamp-Bar, Sway
4	3234-39	5	Screw-HHF	15	87-3910	2	Bushing-Rubber
5	104-8301	9	Nut-HF, NI	16	131-8310-03	1	Bar-Sway, Anti
6	3234-46	7	Screw-HHF	17	131-8394	2	Link-Bar, Sway
7	99-5107	11	Nut-Lock	18	3231-25	4	Bolt-CARR
8	109-5013	1	Panhard Rod ASM	19	131-8346	2	Panel-Side
8:2	109-5009	2	Bushing-Suspension, Rubber	20	125-9622	20	Rivet-Blind
8:3	109-5010	2	Spacer	21	3290-378	2	Tie-Cable
9	86-1990	6	Washer-Thrust	22	74-5950	2	Latch-Swell
10	131-8315	1	Bracket-Link, Sway Bar	25	137-6741	1	Ball Mount ASM
11	3234-40	4	Screw-HF	28	138-3528	1	Decal-Service



Frame Mount and Rear Shock/Spring Assembly

<i>Ref.</i>	<i>Part Number</i>	<i>Qty.</i>	<i>Description</i>
1	3234-39	8	Screw-HHF
2	104-8301	8	Nut-HF, NI
3	3234-46	4	Screw-HHF
4	99-5107	4	Nut-Lock
5	131-3455	2	Shock/Spring ASM
5:1	131-8574	2	Isolator-Shock



Brake Assembly

Ref.	Part Number	Qty.	Description	Ref.	Part Number	Qty.	Description
1	104-6782	1	Master Cylinder ASM	8:3	136-6328	2	Spring-Rattle, Anti ●
2	283-2	1	Pin-Clevis	9	131-8573	8	Screw-HSH
3	1-806003	1	Pin-Cotter	10	119-9509	2	Screw-Bleed
4	136-6295	4	Rotor-Brake	11	115-2341	8	Washer-Banjo
5	121-9671	16	Screw-HSBH	12	120-4875	4	Bolt-Flange, Banjo
6	127-7424	2	Brake Caliper ASM	14	127-7781	1	Brake Line-Front
7	131-8313	1	Caliper-Rear, LH	15	127-7782	1	Brake Line-Rear
7:1	131-8518	1	Pad Kit (Set Of 4)	16	3234-11	2	Screw-HHF
7:2	119-9509	1	Screw-Bleed	17	3290-357	2	Nut-HHF, Whiz
7:3	136-6328	2	Spring-Rattle, Anti ●	19	131-8406	2	Cable-Park Brake
8	131-8314	1	Caliper-Rear, RH	20	32180-030	4	Clip-Tie
8:1	131-8518	1	Pad Kit (Set Of 4)	21	49-2040	2	Screw-HWHTF
8:2	119-9509	1	Screw-Bleed	22	3290-378	1	Tie-Cable

● Not illustrated



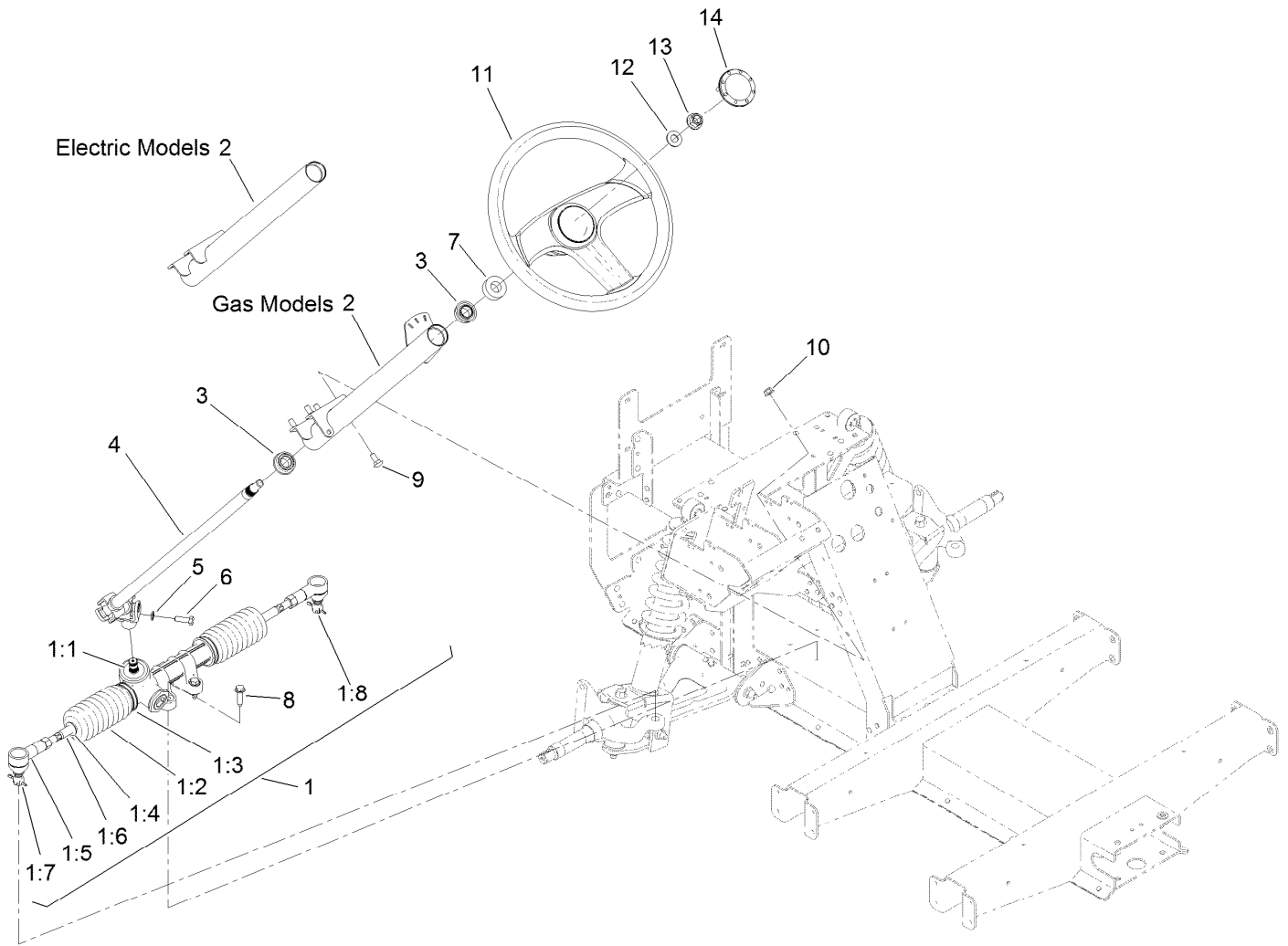
Master Cylinder Assembly No. 104-6782

Ref.	Part Number	Qty.	Description
1	104-6845	1	Reservoir ASM
1:1	92-4112	1	Cap ASM
2	93-8971	2	Seal-Port, Flange
3	92-4103	1	Pin-Stop
4	92-4102	1	Secondary Piston ASM
5	92-4110	1	Clevis
6	21-0360	1	Nut-Hex
7	94-5209	1	Cover-Dust
8	94-5210	1	Rod-Push
9	92-4109	1	Ring-Snap
10	92-4108	1	Retainer-Washer
11	92-4101	1	Primary Piston ASM



Brake Caliper Assembly No. 127-7424

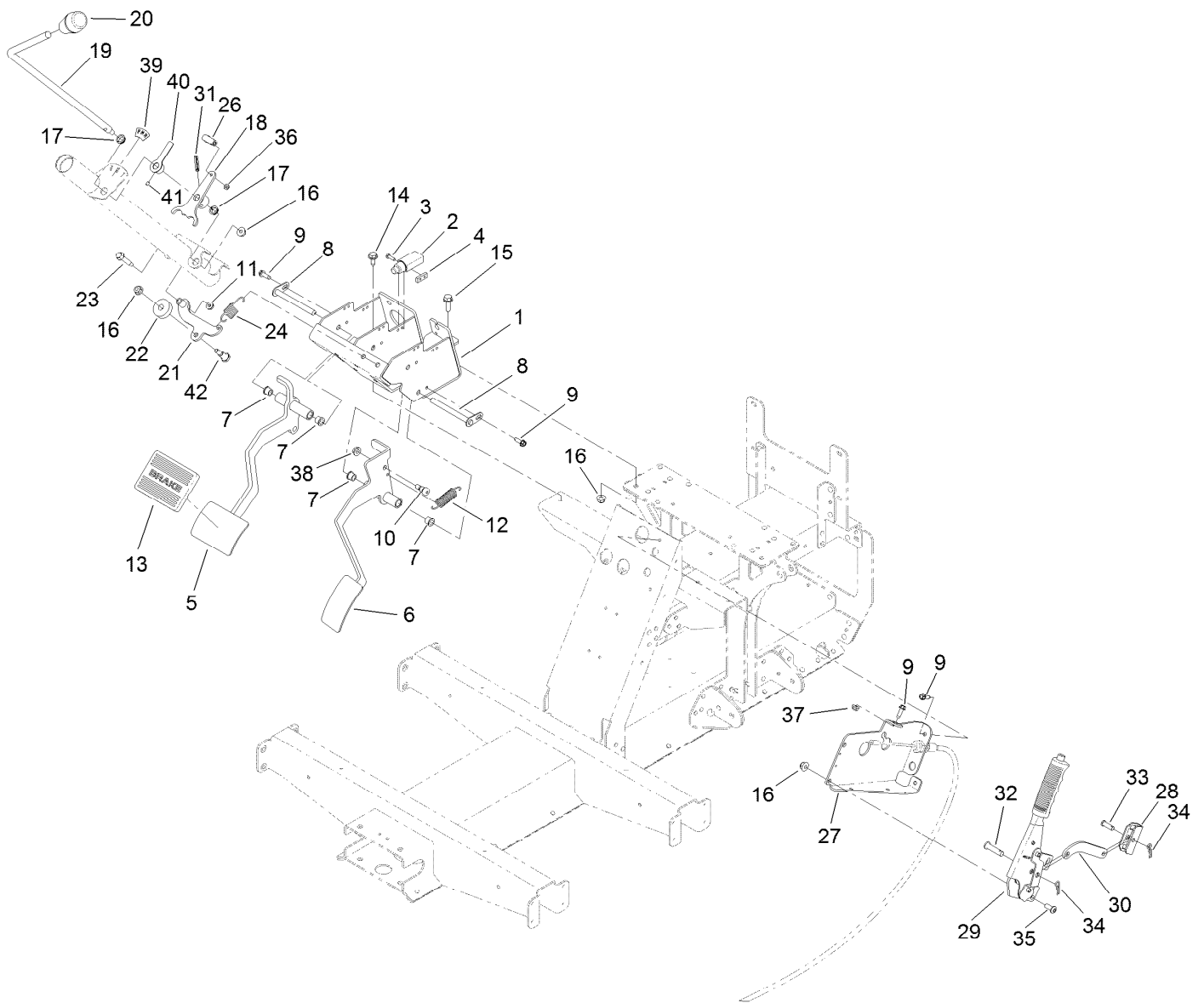
<i>Ref.</i>	<i>Part Number</i>	<i>Qty.</i>	<i>Description</i>
1	119-9510	1	Pads-Brake
2	119-9511	1	Bracket Kit
3	133-0614	1	Piston Kit



Steering Assembly

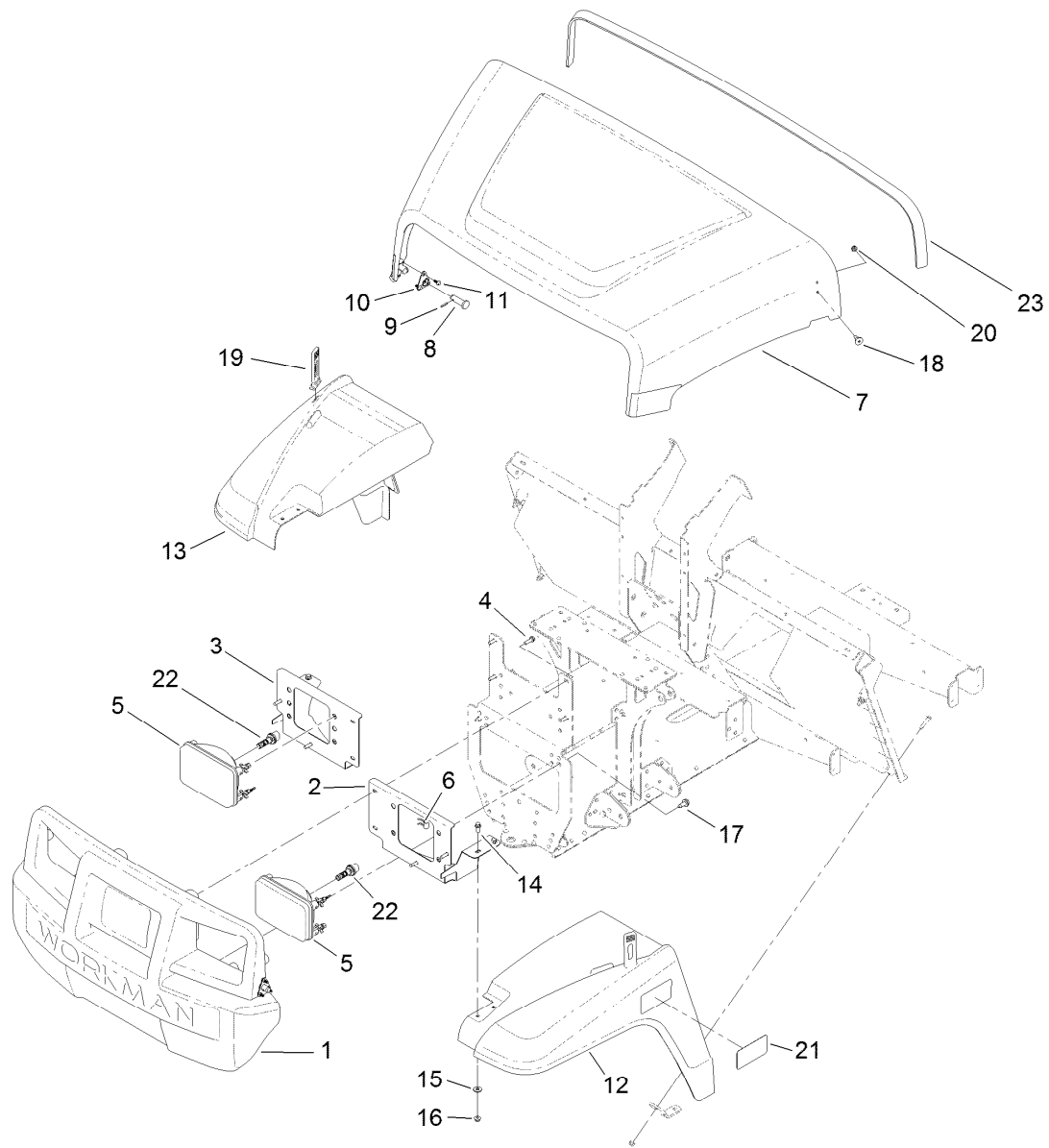
Ref.	Part Number	Qty.	Description
1	127-8797	1	Steering Rack ASM
1:1	133-0607	1	Seal-Shaft
1:2	133-0606	2	Bellows
1:3	133-0605	2	Clamp-Bellows, Inner
1:4	133-0604	2	Clamp-Bellows, Outer
1:5	133-0602	2	End-Rod, Track
1:6	133-0601	2	Rod-Tie, Track
1:7	3272-42	2	Pin-Cotter
1:8	137-9891	2	Nut-Slotted, Ball Joint
2	127-8799-03	1	Steering Column ASM
3	112-3262	2	Bearing

Ref.	Part Number	Qty.	Description
4	127-8804	1	Shaft-Steering
5	3253-4	1	Washer-Lock
6	116-3515	1	Screw-HH, Special
7	21-9260	1	Cover-Dust
8	32144-49	4	Screw-HWHTF
9	3230-1	4	Bolt-CARR
10	104-8300	4	Nut-HF, NI
11	131-0957	1	Wheel-Steering
12	3256-26	1	Washer-Flat
13	99-5107	1	Nut-Lock
14	131-3630	1	Cap-Wheel, Steering



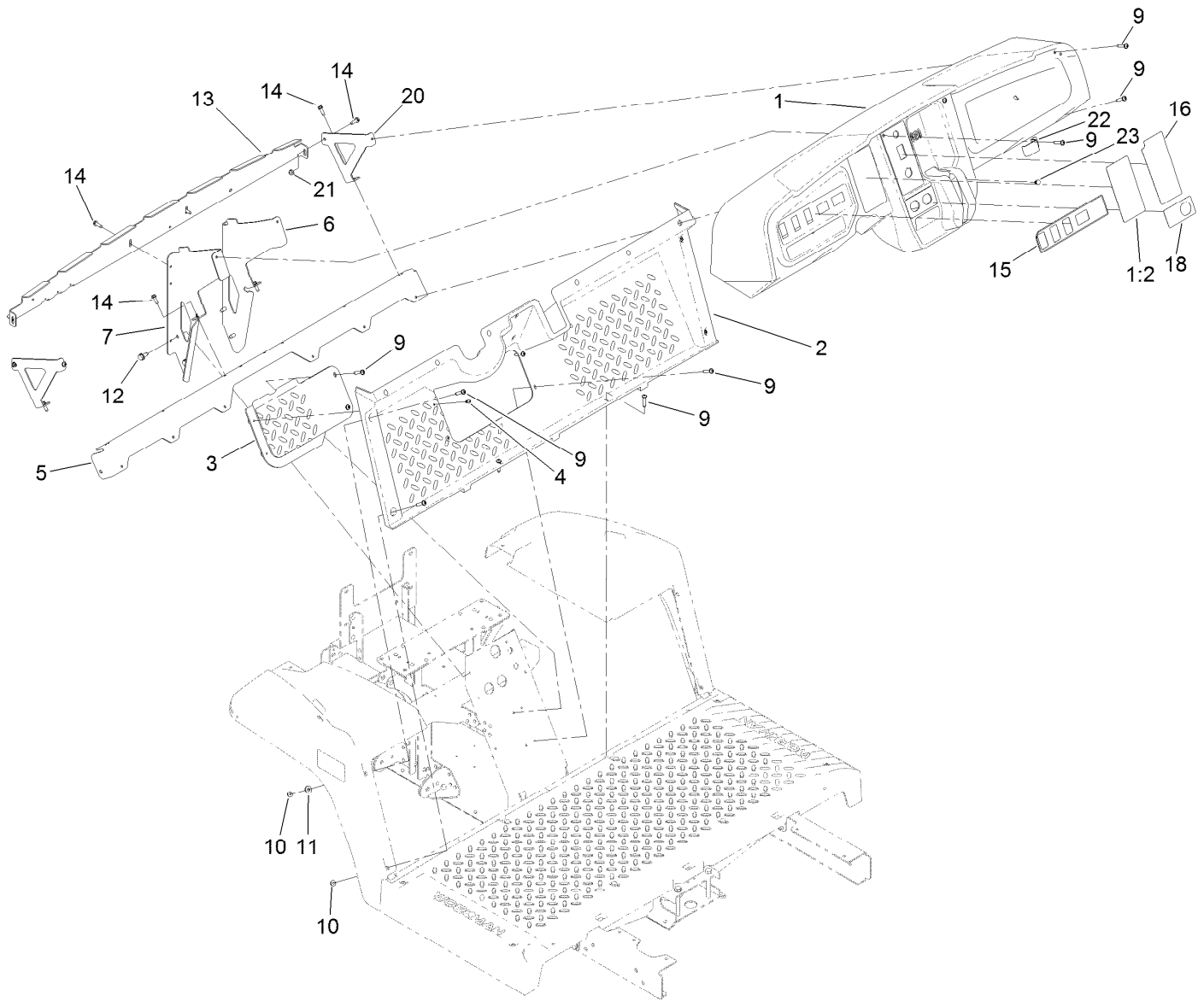
Pedal and Control Assembly

Ref.	Part Number	Qty.	Description	Ref.	Part Number	Qty.	Description
1	127-8817-03	1	Mount-Pedal	22	133-7212	1	Bushing-Detent, Shift
2	99-7407	1	Switch	23	116-6876	1	Screw-Shoulder
3	3290-134	2	Screw	24	131-8419	1	Spring-Extension
4	1-633181	1	Plate-Tapped	26	2411-38	1	Joint-Ball
5	127-8818-03	1	Pedal-Brake	27	127-8834-03	1	Mount-Brake, Park
6	127-8819-03	1	Pedal-Accelerator	28	87-3480	1	Bracket-Equalizer, Cable
7	256-116	4	Bushing-Flange	29	131-8320	1	Lever-Brake, Park
8	131-8459	2	Shaft-Pivot	30	127-8836-03	1	Link-Brake, Park
9	49-2040	5	Screw-HWHTF	31	32121-9	1	Pin-Roll, Slotted
10	1-809056	1	Screw-HSH	32	283-10	1	Pin-Clevis
11	32128-33	1	Nut-HF	33	1-808280	1	Pin-Clevis
12	67-1450	1	Spring-Idler	34	1-806003	2	Pin-Cotter
13	7-3900	1	Pad-Brake	35	3274-55	2	Screw-HSBH
14	32144-70	2	Screw-HWHTF	36	3296-27	1	Nut-Lock, NI
15	3234-29	1	Screw-HHF	37	104-7201	1	Nut-HF
16	104-8300	5	Nut-HF, NI	38	32128-20	1	Nut-HF
17	110-3318	2	Bushing-Snap	39	131-8463	1	Decal-Shift
18	127-8833	1	Arm-Shift	40	131-8462-01	1	Indicator-Shift
19	127-8830	1	Shaft-Shifter	41	3245-20	1	Screw-HSH
20	131-8473	1	Knob-Tapered	42	613529	1	Screw-Shoulder
21	133-7214	1	Arm-Detent				



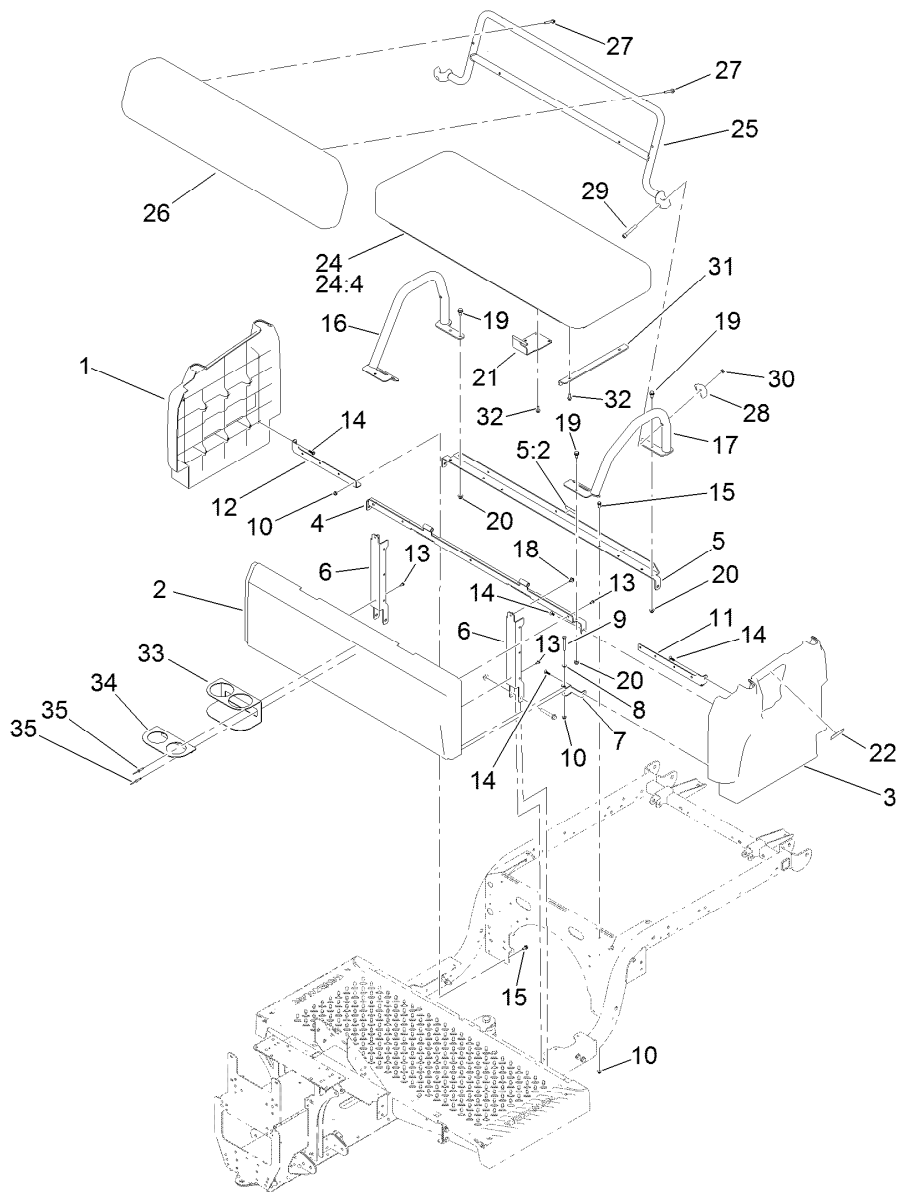
Hood and Fender Assembly

<i>Ref.</i>	<i>Part Number</i>	<i>Qty.</i>	<i>Description</i>	<i>Ref.</i>	<i>Part Number</i>	<i>Qty.</i>	<i>Description</i>
1	132-8530	1	Bumper	13	127-7772	1	Fender-Front, RH
2	131-8455-03	1	Bracket-Headlight, LH	14	3234-33	4	Screw-HHF
3	131-8456-03	1	Bracket-Headlight, RH	15	3256-2	4	Washer-Flat
4	46-8091	8	Screw-HWH	16	104-7201	4	Nut-HF
5	136-6318	2	Housing-Headlight, 12V	17	32144-70	2	Screw-HWHTF
6	115-2408	6	Clip-Speed	18	125-1122	2	Screw
7	136-6281	1	Hood	19	131-8402	2	Strap-Hold Down
8	117-5094	2	Pin-Clevis	20	3296-56	2	Nut-Lock, NI
9	32121-50	2	Pin-Spring	21	138-3527	2	Decal-Fender
10	112-3308	2	Retainer-Pin	22	133-0574	2	Bulb-LED
11	121-9605	6	Screw-HWH	23	133-7210	1	Seal-Trim, Hood
12	127-7771	1	Fender-Front, LH				



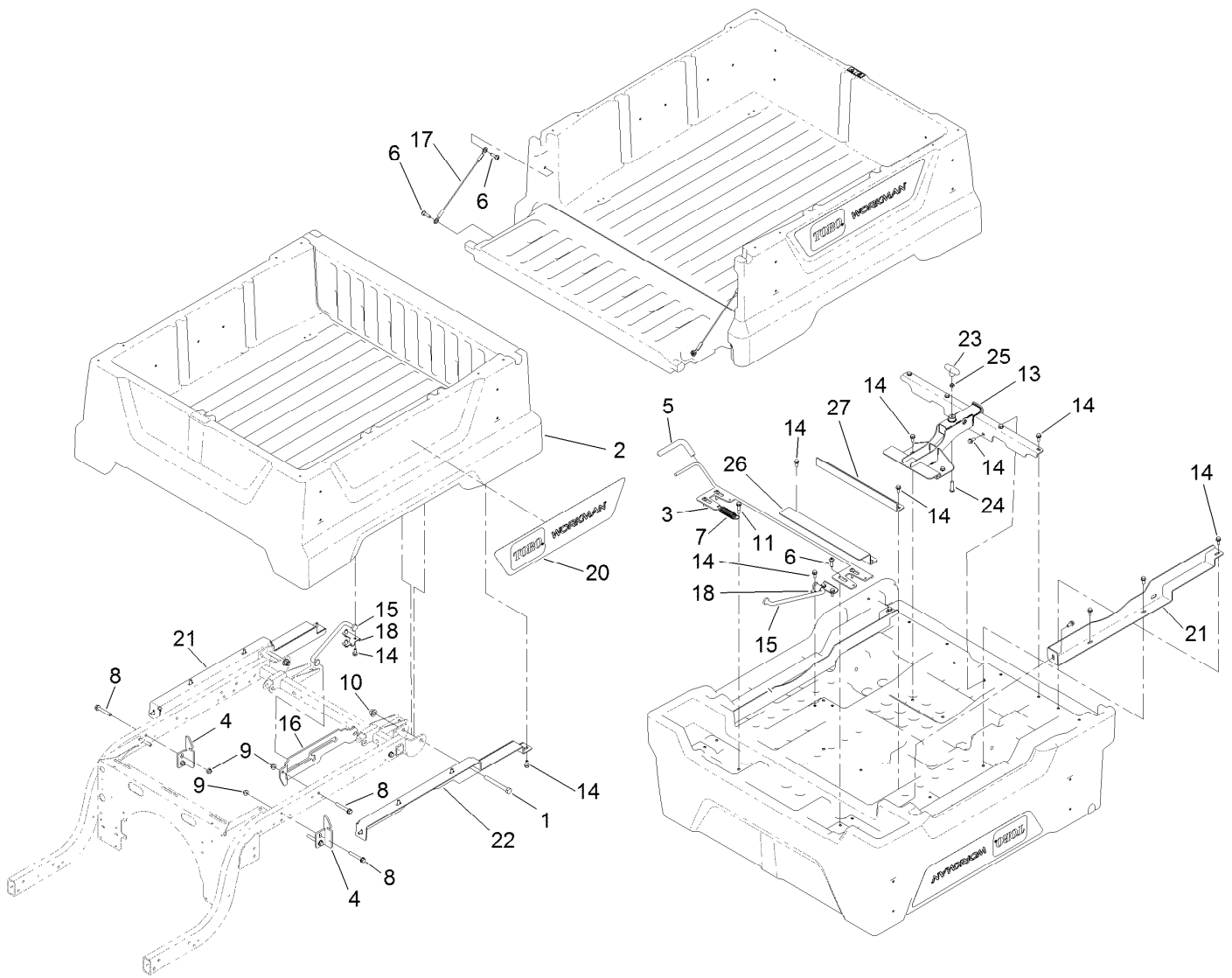
Dash Assembly

<i>Ref.</i>	<i>Part Number</i>	<i>Qty.</i>	<i>Description</i>	<i>Ref.</i>	<i>Part Number</i>	<i>Qty.</i>	<i>Description</i>
1	131-8593	1	Dash	12	32144-70	4	Screw-HWHTF
1:2	131-8414	1	Decal-Danger	13	131-8568-03	1	Reinforcement-Dash
2	127-7846	1	Footboard	14	49-2040	8	Screw-HWHTF
3	127-7847	1	Cover-Footboard	15	138-3524	1	Decal-Dashboard, Gtx
4	107-7461	2	Screw-Plastite	16	138-3397	1	Decal-Control Panel, Efi
5	127-7831-03	1	Angle	18	131-8493	1	Decal-USB
6	131-8336-03	1	Bracket-Dash, RH	20	131-8569-03	2	Bracket-Dash, Side
7	131-8335-03	1	Bracket-Dash, LH	21	104-7201	2	Nut-HF
9	132-6777	20	Screw-TTH	22	133-7111-03	1	Bracket-Mount, Radio
10	104-7201	4	Nut-HF	23	104-9368	1	Plug-Dome
11	3256-2	2	Washer-Flat				



Seatbase Assembly

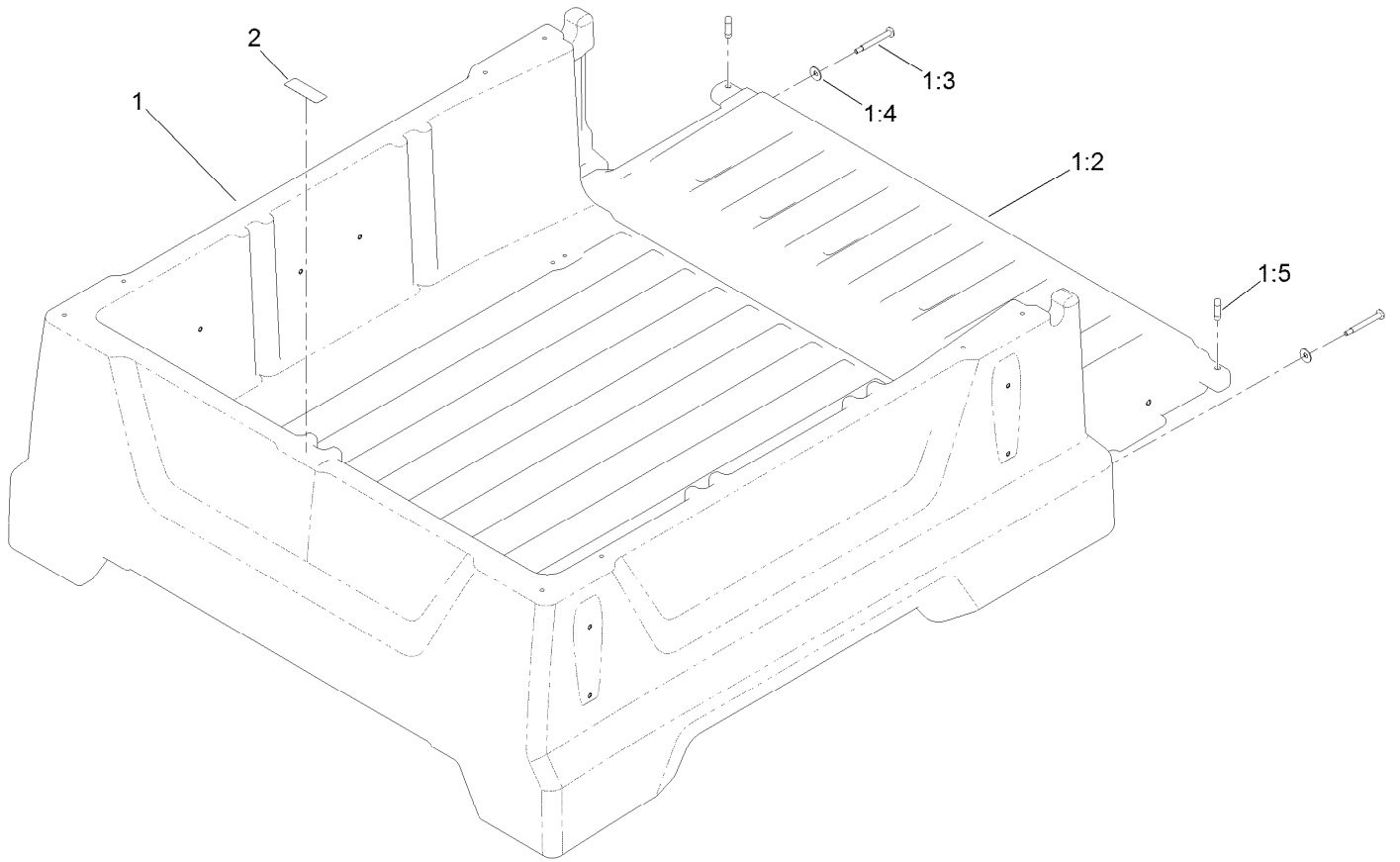
Ref.	Part Number	Qty.	Description	Ref.	Part Number	Qty.	Description
1	127-7805	1	Side-Base, Seat (RH)	19	32144-70	6	Screw-HWHTF
2	133-7188	1	Panel-Seat Base	20	104-8300	6	Nut-HF, NI
3	127-7807	1	Side-Base, Seat (LH)	21	133-7167-03	2	Bracket-Hinge, Seat
4	133-7345-03	1	Support-Seat	22	131-8410	1	Decal-Danger, Fuel
5	137-6991	1	Seat Support ASM	24	138-0055	1	Bench Seat Bottom ASM
5:2	120-9570	1	Decal-Warning	24:4	133-7121	1	Cover-Cushion, Bottom
6	127-7841-03	2	Channel-Support, Seat	25	133-3079-05	1	Back Rest ASM
7	127-7844-03	2	Clamp-Plate, Floor	26	138-0053	1	Bench Seat Back Rest ASM
8	3256-22	2	Washer-Flat	27	32105-18	6	Screw-HHF
9	321-18	2	Screw-HH	28	132-8586-05	2	Casting-Mount, Bench Seat (Back)
10	104-7201	8	Nut-HF	29	131-8591	2	Screw-HSH
11	127-7842-03	1	Bracket-Support, Side (LH)	30	3296-59	2	Nut-Lock, NI
12	127-7843-03	1	Bracket-Support, Side (RH)	31	133-7186-03	2	Bracket-Support, Bench Seat
13	112-6349	5	Screw-HWH	32	3234-4	8	Screw-HHF
14	120-2349	8	Screw	33	133-7122-05	1	Bracket-Holder, Cup
15	3234-33	6	Screw-HHF	34	133-7133-05	1	Bracket-Divider, Cup Holder
16	131-8352-05	1	Restraint-Hip, RH	35	133-7130	4	Rivet-Pop
17	131-8353-05	1	Restraint-Hip, LH				
18	46-6810	2	Screw And Washer ASM				



Cargo Bed Assembly

Ref.	Part Number	Qty.	Description
1	325-18	2	Screw-HH
2	131-8592	1	Cargo Bed And Tailgate ASM
3	132-8524	1	Latch
4	127-7428-03	2	Striker-Latch, Bed
5	132-8515	1	Grip-Handle
6	119-2267	8	Screw-Shoulder, BHTF
7	106-5598	1	Spring-Extension
8	3234-39	6	Screw-HHF
9	104-8301	6	Nut-HF, NI
10	99-5107	2	Nut-Lock
11	116-8607	1	Screw-Shoulder
13	132-8523-03	1	Attachment-Quick, Class 1

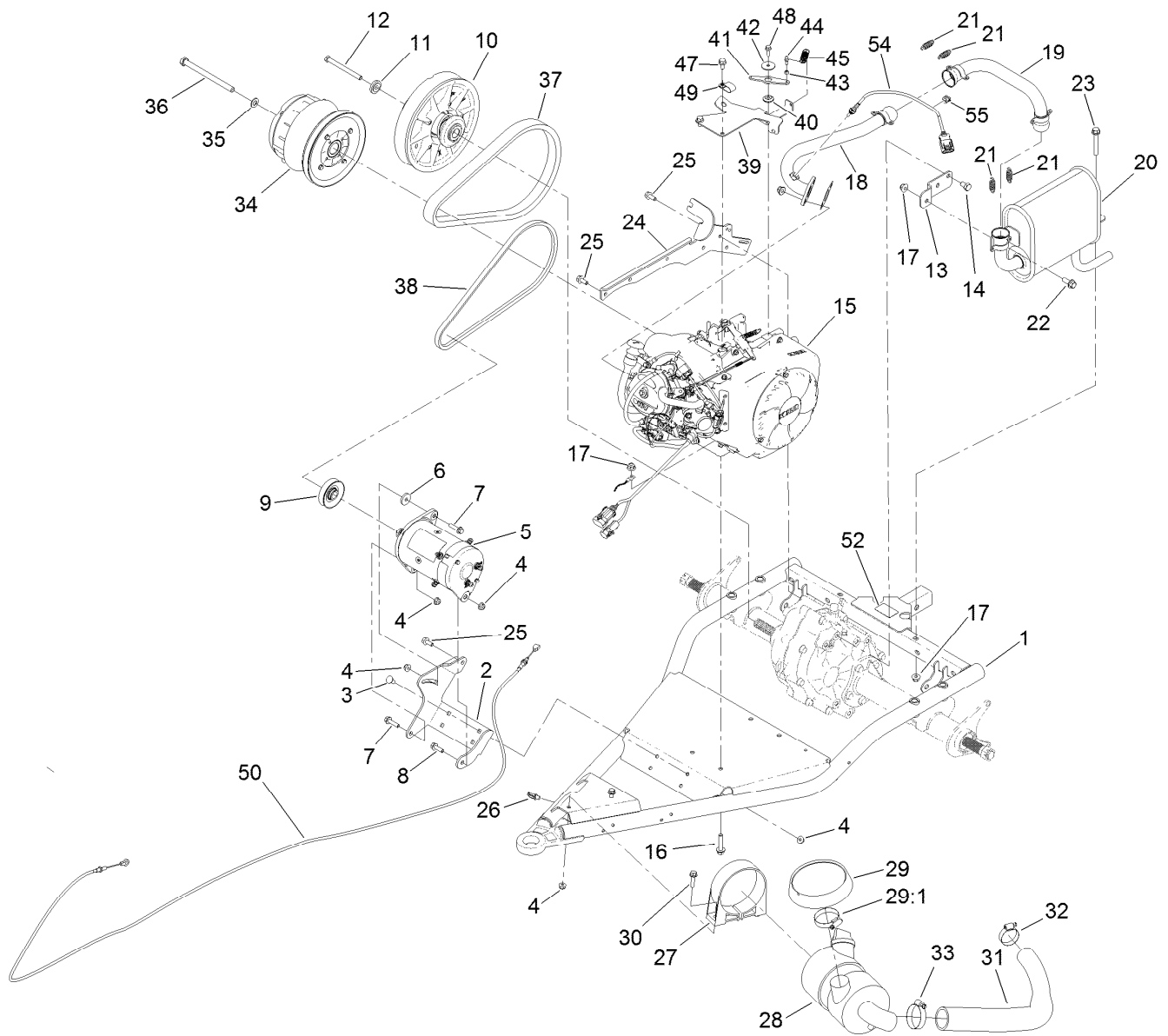
Ref.	Part Number	Qty.	Description
14	3234-5	25	Screw-HHF
15	132-8517	1	Rod-Prop
16	132-8518	1	Bracket-Rod, Prop
17	121-6343	2	Lanyard-Tailgate
18	132-0839	1	Bracket-U, Prop Rod
20	132-8538	2	Decal-Workman
21	133-3042-03	1	Support-Cargo Bed, RH
22	133-3043-03	1	Support-Cargo Bed, LH
23	133-3056	1	Handle-T
24	95-3857	1	Screw-HSBH
25	3218-3	1	Nut-Jam
26	133-3099-03	1	Brace-Bed, Extended
27	132-8526-03	1	Brace-Middle, Bed



Cargo Bed and Tailgate Assembly No. 131-8592

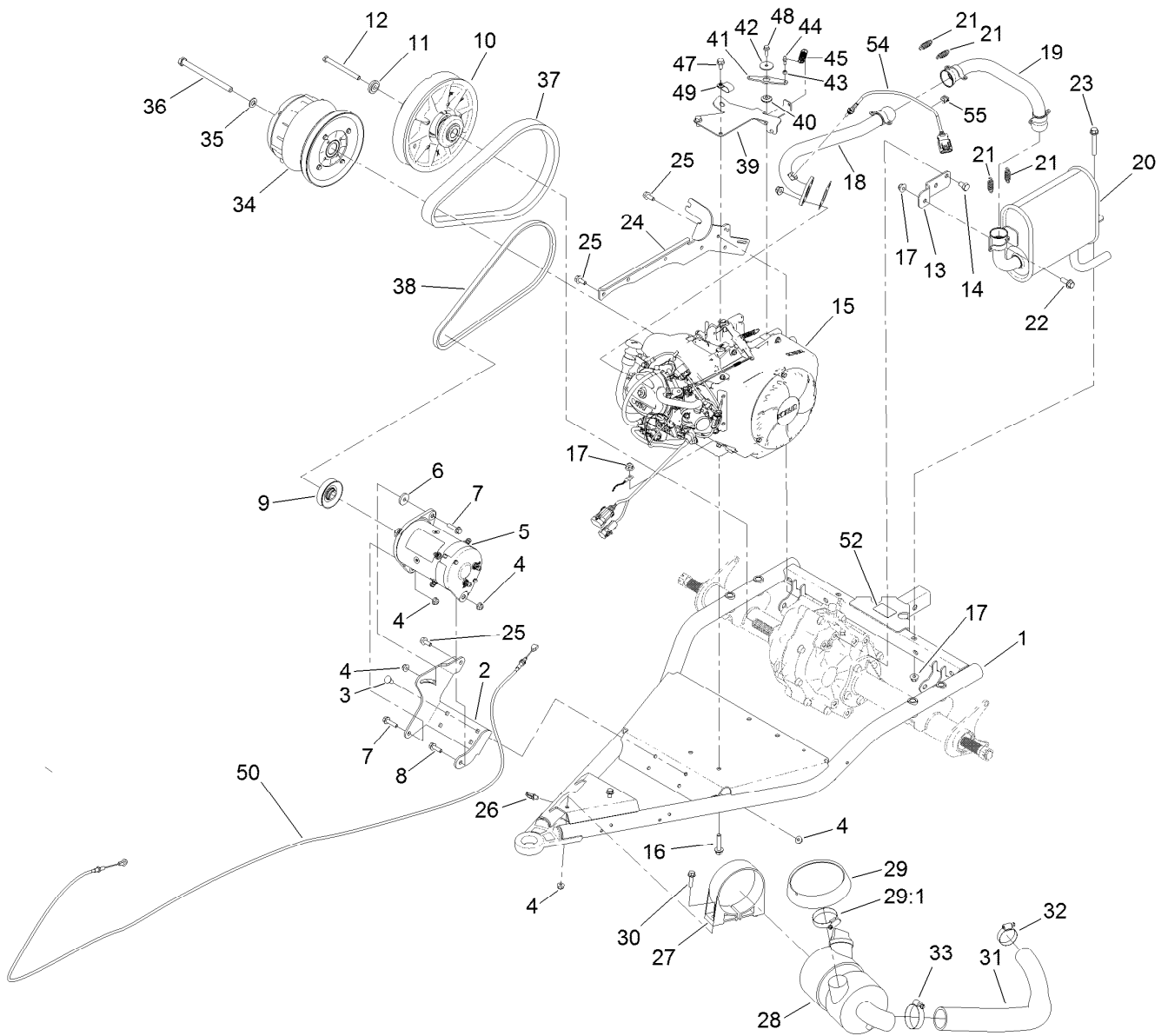
<i>Ref.</i>	<i>Part Number</i>	<i>Qty.</i>	<i>Description</i>
1		1	Cargo Bed And Tailgate ASM ●
1:2	132-0841	1	Tailgate
1:3	133-7100	2	Screw-Shoulder, Bh (Torx)
1:4	3290-456	2	Washer-Belleville
1:5	133-7146	2	Plug-Tailgate, Anti-Rattle
2	115-7739	1	Decal-No Riders

● Not serviced separately



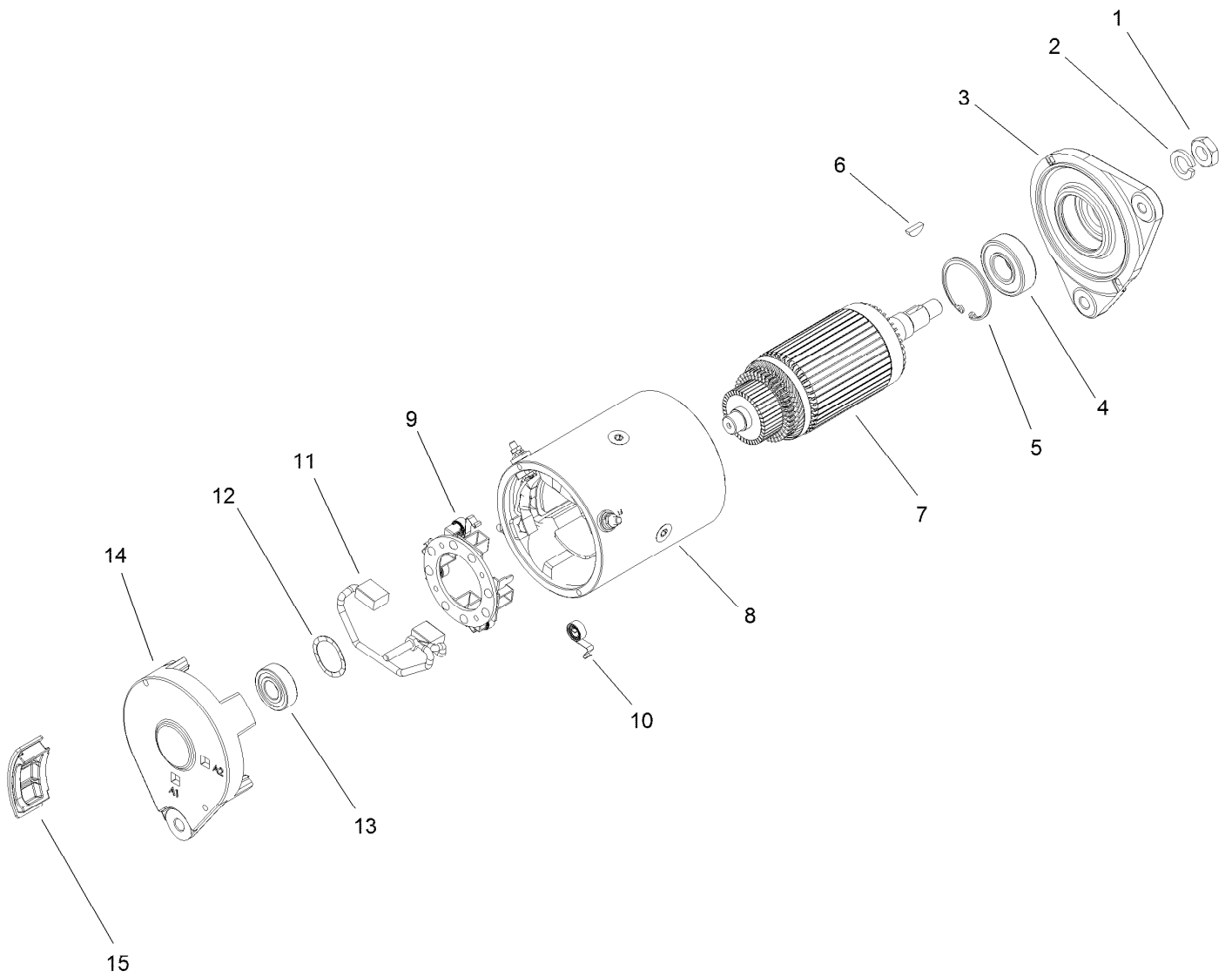
Engine Assembly

Ref.	Part Number	Qty.	Description	Ref.	Part Number	Qty.	Description
1	131-8520-03	1	Arm-Swing	22	3234-42	1	Screw-HHF
2	131-8503-03	1	Bracket-Starter/Generator	23	3234-39	1	Screw-HHF
3	3230-23	4	Screw-CARR	24	131-8501-03	1	Bar-Spanner
4	104-8300	9	Nut-HF, NI	25	95-4184	6	Screw-HHF
5	131-8444	1	Starter/Generator ASM	26	32180-030	1	Clip-Tie
6	65-8270	1	Washer	27	95-5806	1	Bracket-Mounting
7	119-4036	2	Screw-HHF	28	99-7120	1	Air Cleaner ASM
8	3234-29	1	Screw-HHF	29	136-7859	1	Rain Cap Kit
9	121-6277	1	Pulley-Drive	29:1	1-643009	1	Clamp-Hose
10	119-6011	1	Secondary Clutch ASM	30	3234-36	2	Screw-HHF
11	104-6563	1	Washer-Stepped	31	131-8489	1	Hose-Intake, Air
12	119-0723	1	Screw-HH, Lock	32	2412-111	1	Clamp
13	131-8329	1	Bracket-Muffler	33	2412-92	1	Clamp-Hose
14	70-8470	2	Screw-HH	34	131-8500	1	Primary Clutch ASM
15	137-9893	1	Engine-Kohler, Ech440	35	3256-25	1	Washer-Flat
16	3234-19	4	Screw-HHF	36	131-8521	1	Screw-HH
17	104-8301	6	Nut-HF, NI	37	131-8567	1	Belt-Variable
18	136-6304	1	Manifold-Exhaust	38	94-8803	1	V-Belt, Impeller
19	131-8332	1	Pipe-Intermediate	39	131-8505	1	Bracket-Throttle
20	131-8334	1	Muffler	40	131-8524	1	Bushing-Flange
21	104-6478	4	Spring-Extension	41	131-8504	1	Lever-Throttle



Engine Assembly (continued)

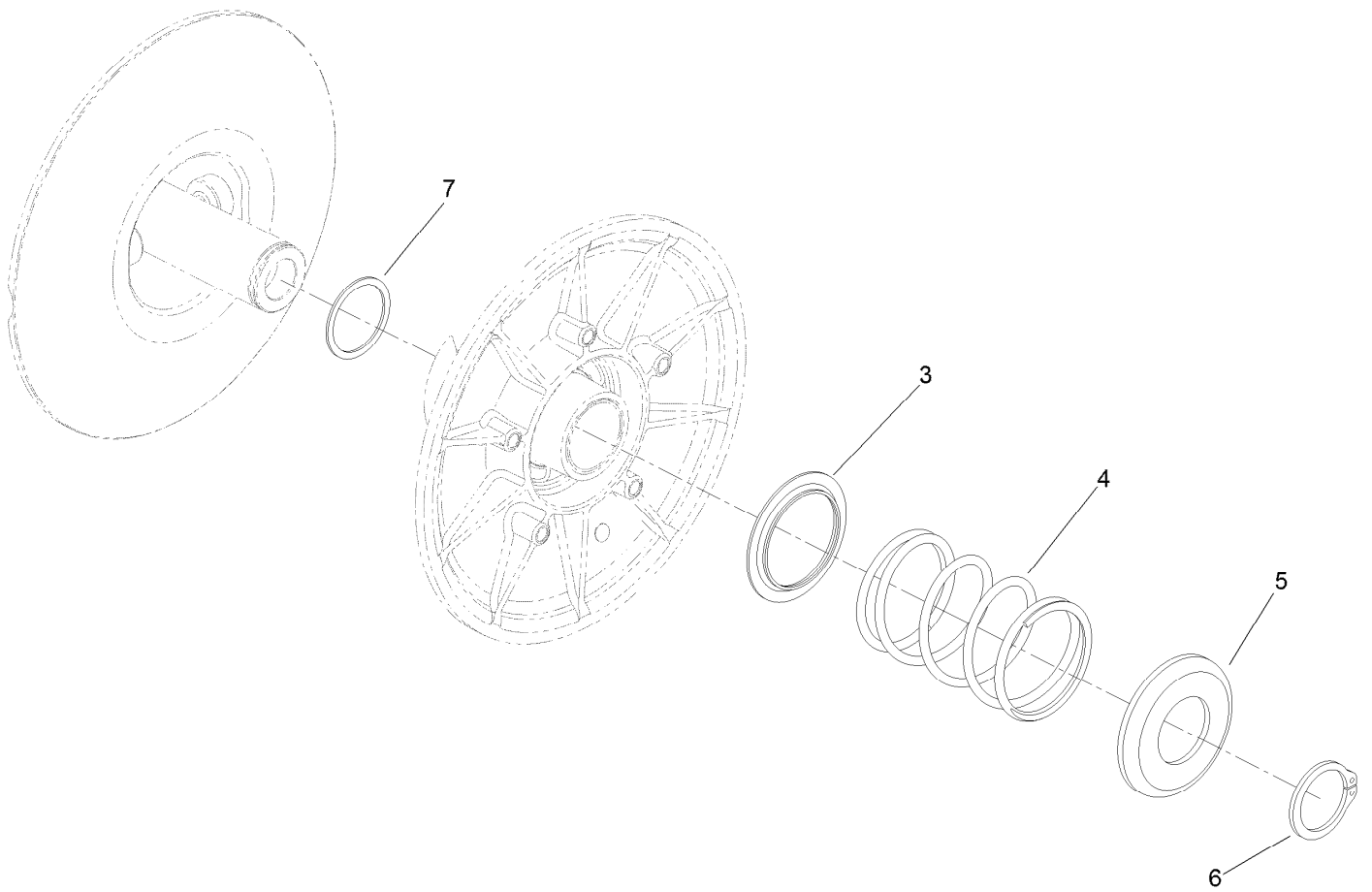
<i>Ref.</i>	<i>Part Number</i>	<i>Qty.</i>	<i>Description</i>	<i>Ref.</i>	<i>Part Number</i>	<i>Qty.</i>	<i>Description</i>
42	3256-55	1	Washer-Flat	49	2412-105	1	Clamp-Tube, Double
43	110-2619	1	Keeper-Spring	50	127-8860	1	Cable-Accelerator
44	99-7847	1	Ball-Stud	52	137-9984	1	Decal-Load, Towing
45	71-5470	1	Spring-Brake	54	136-6348	1	Sensor-O2
47	33104-016	2	Screw-HHF	55	32180-226	1	Clip-Edge, Parallel W/Tie
48	33103-020	1	Screw-HHF				



Starter Generator Assembly No. 131-8444

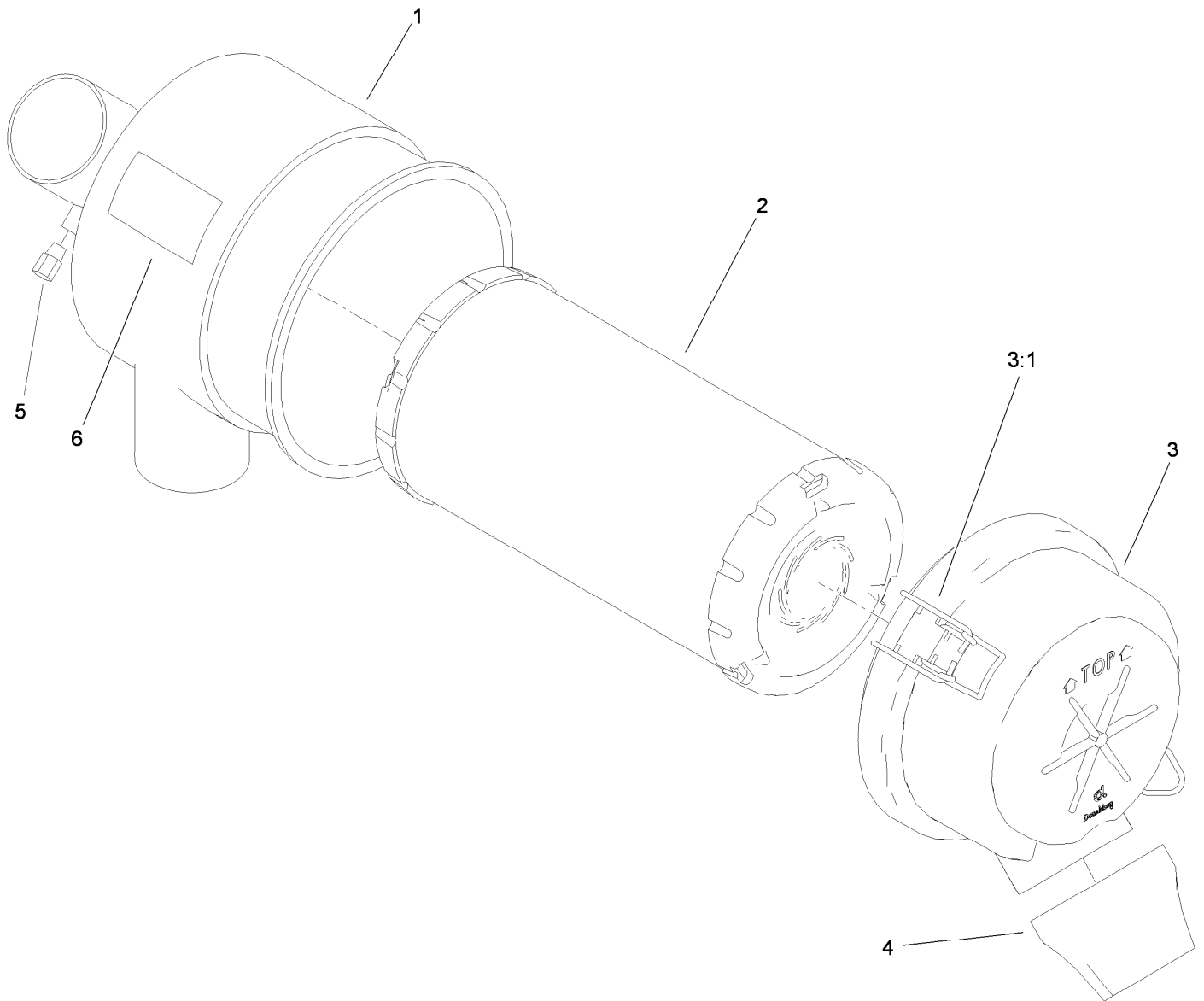
Ref.	Part Number	Qty.	Description
1	119-9651	1	Nut
2	119-9652	1	Washer-Lock
3	133-0599	1	Head-Drive End
4	119-9655	1	Bearing
5	119-9656	1	Ring-Retaining
6	119-9657	1	Key-Woodruff
7	119-9658	1	Armature ASM
8		1	Frame And Field Assembly ●
9	119-9661	1	Brush Box ASM
10	119-9660	4	Spring-Brush
11	119-9659	1	Brush Lead And Terminal Service Kit
12	119-9662	1	Washer-Wave
13	119-9663	1	Bearing
14		1	Head-End, Cummutator ●
15	133-0600	4	Plug-Rubber

● Not serviced separately



Secondary Clutch Assembly No. 119-6011

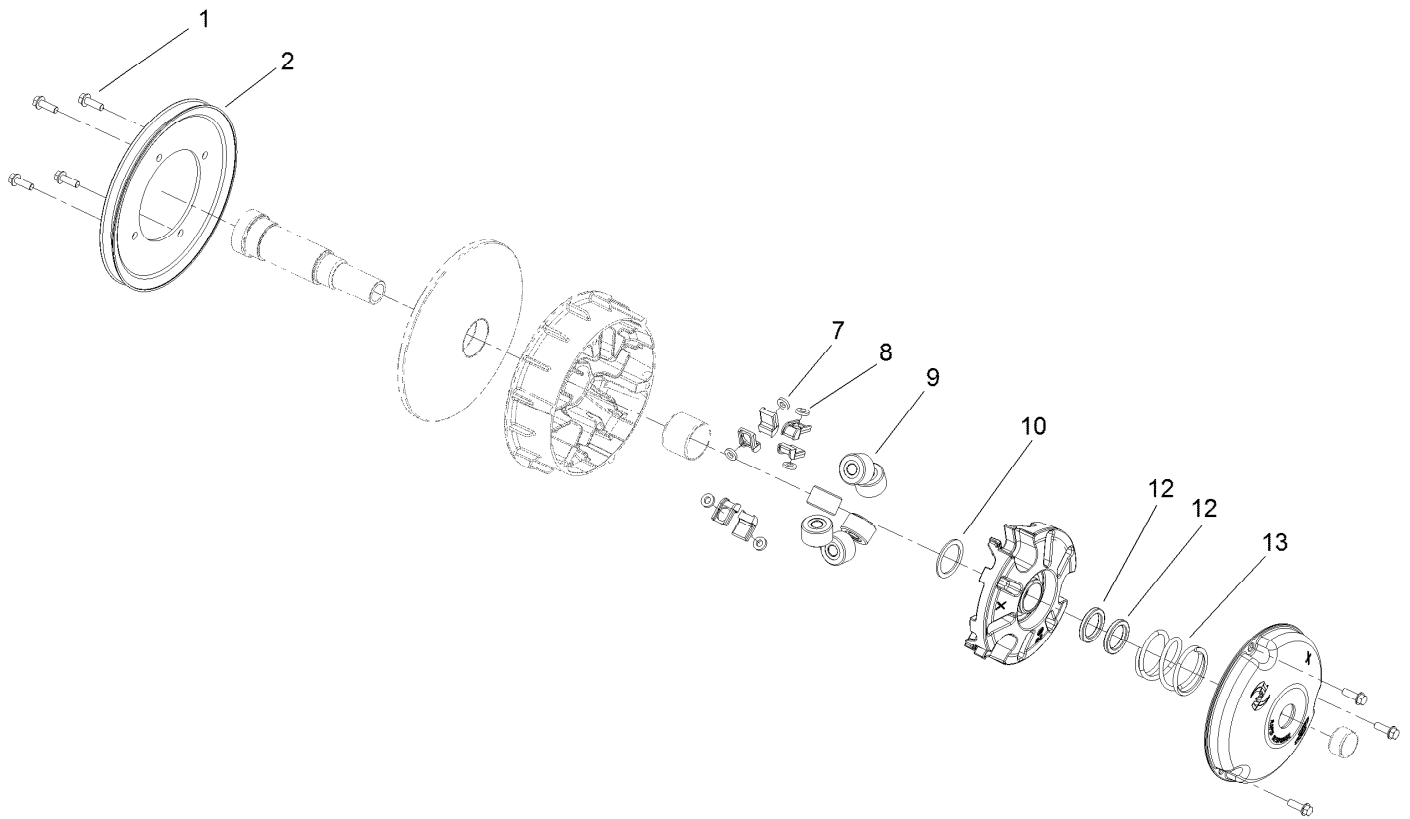
<i>Ref.</i>	<i>Part Number</i>	<i>Qty.</i>	<i>Description</i>
3	119-0809	1	Cup-Spring Retainer, Inner
4	119-9360	1	Spring-Compression, Black/Almond
5	119-0810	1	Cup-Spring Retainer, Outer
6	119-0811	1	Ring-Retaining
7	119-6018	1	Shim-Thrust



Air Cleaner Assembly No. 99-7120

Ref.	Part Number	Qty.	Description
1		1	Body ●
2	108-3811	1	Filter-Air
3	94-3652	1	Cover ASM
3:1	1-643283	2	Latch-Cleaner, Air
4	87-9400	1	Valve-Vacuator
5		1	Plug ●
6		1	Marking ●

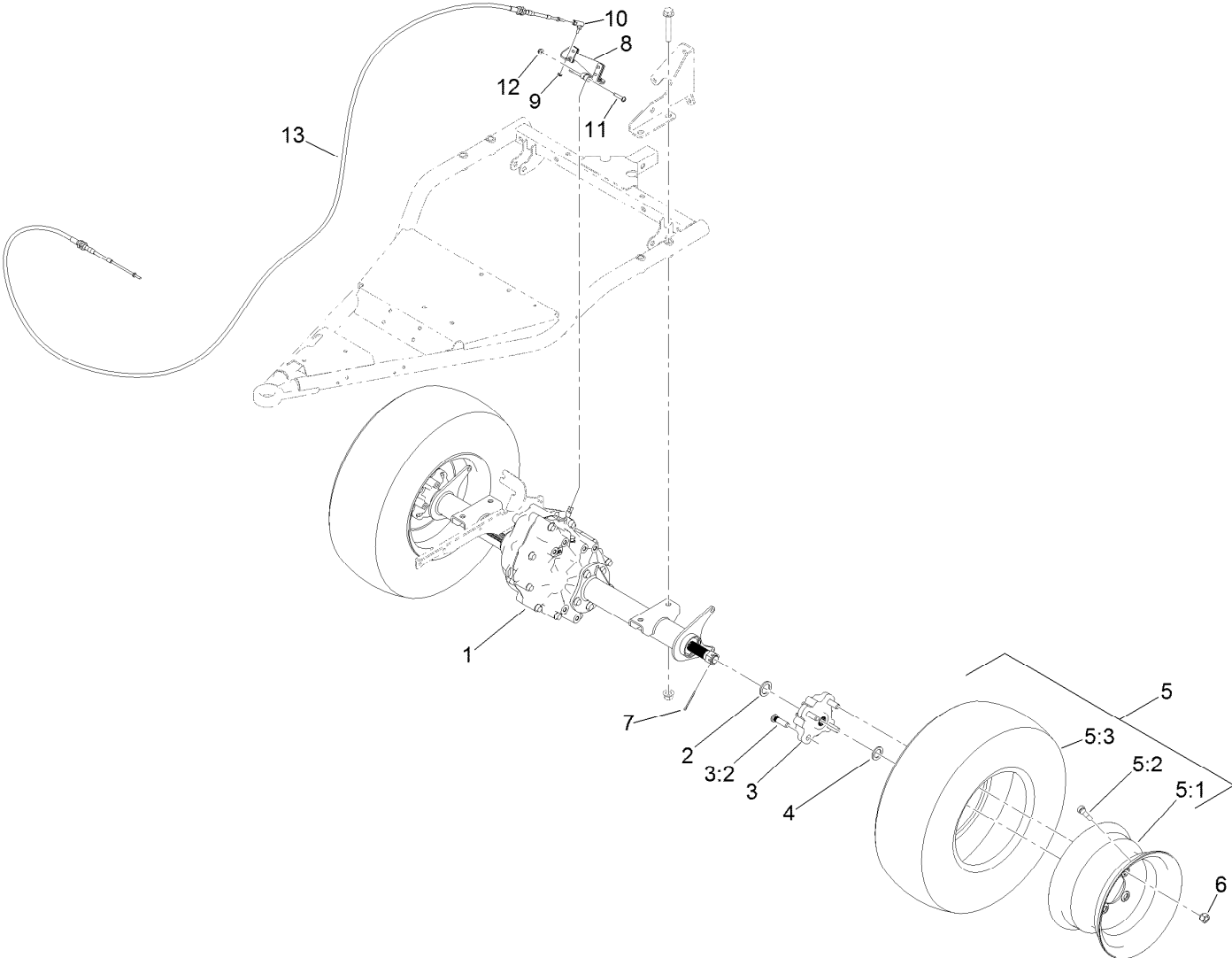
● Not serviced separately



Primary Clutch Assembly No. 131-8500

<i>Ref.</i>	<i>Part Number</i>	<i>Qty.</i>	<i>Description</i>
1	49-2040	7	Screw-HWHTF
2	119-0813	1	Pulley-Primary
7	127-8689	6	Button-Primary, Torque
8	127-8690	6	Plug-Button, Torque
9	119-0804	6	Weight-Roller
10	119-0812	1	Shim-Spider
12	119-0807	2	Shim-Limiter
13	119-9532	1	Spring-Red/White

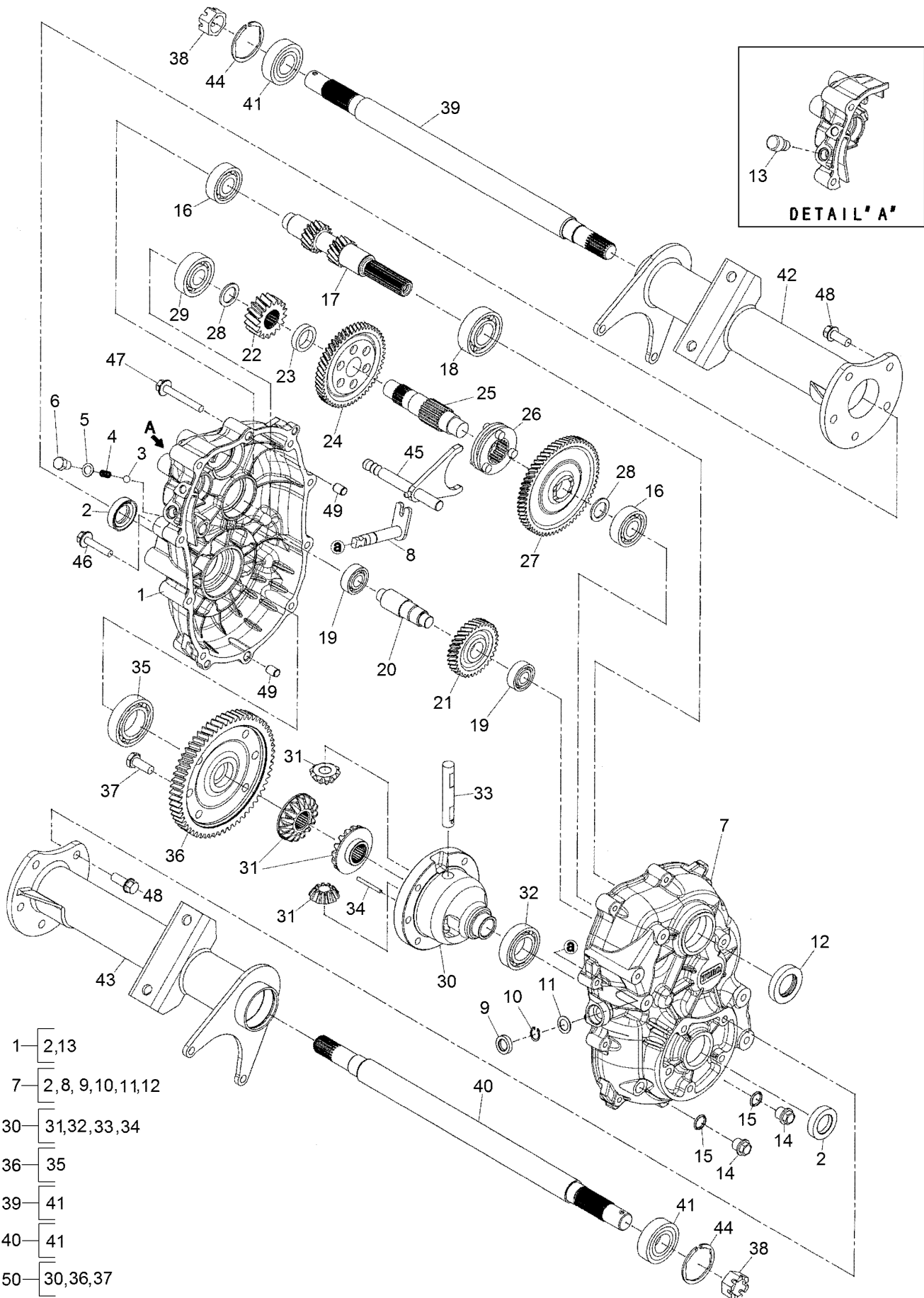
Rear Wheel and Transaxle Assembly



Rear Wheel and Transaxle Assembly (continued)

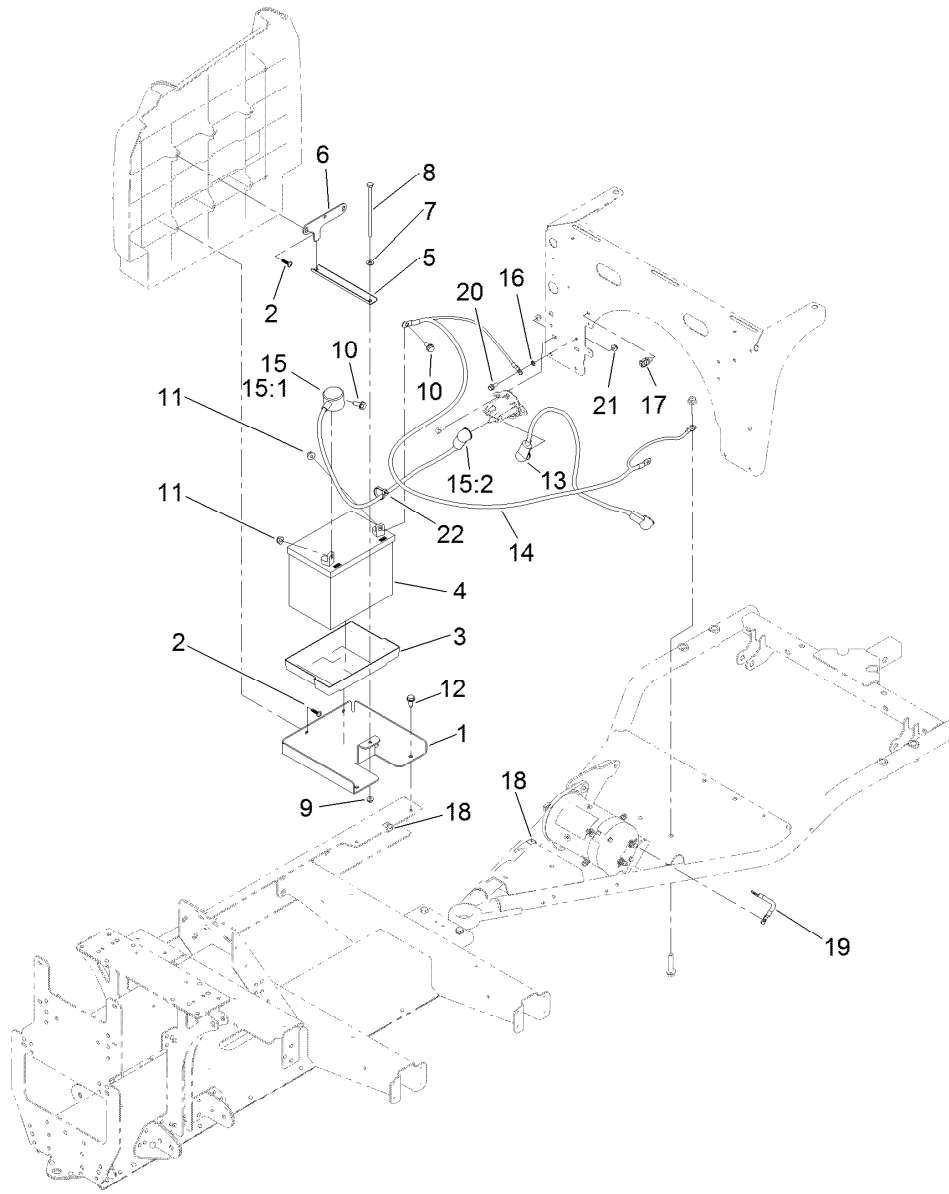
<i>Ref.</i>	<i>Part Number</i>	<i>Qty.</i>	<i>Description</i>	<i>Ref.</i>	<i>Part Number</i>	<i>Qty.</i>	<i>Description</i>
1	131-3486	1	Transaxle	6	242-50	8	Nut-Lug
2	131-8570	2	Spacer-Hardened	7	1-806800	2	Pin-Cotter
3	127-8848	2	Rear Hub ASM	8	133-7260-03	1	Arm-Shift
3:2	10-6830	4	Stud-Type, Drive	9	3296-27	1	Nut-Lock, NI
4	3-7898	2	Washer-Thrust	10	2411-38	1	Joint-Ball
5	131-8319	2	Tire/Wheel ASM	11	132-6777	1	Screw-TTH
5:1	131-8317	1	Wheel	12	104-7201	1	Nut-HF
5:2	232-27	1	Stem-Valve	13	127-8897	1	Cable-Shift
5:3	131-8318	1	Tire				

Transaxle Assembly No. 131-3486



Transaxle Assembly No. 131-3486 (continued)

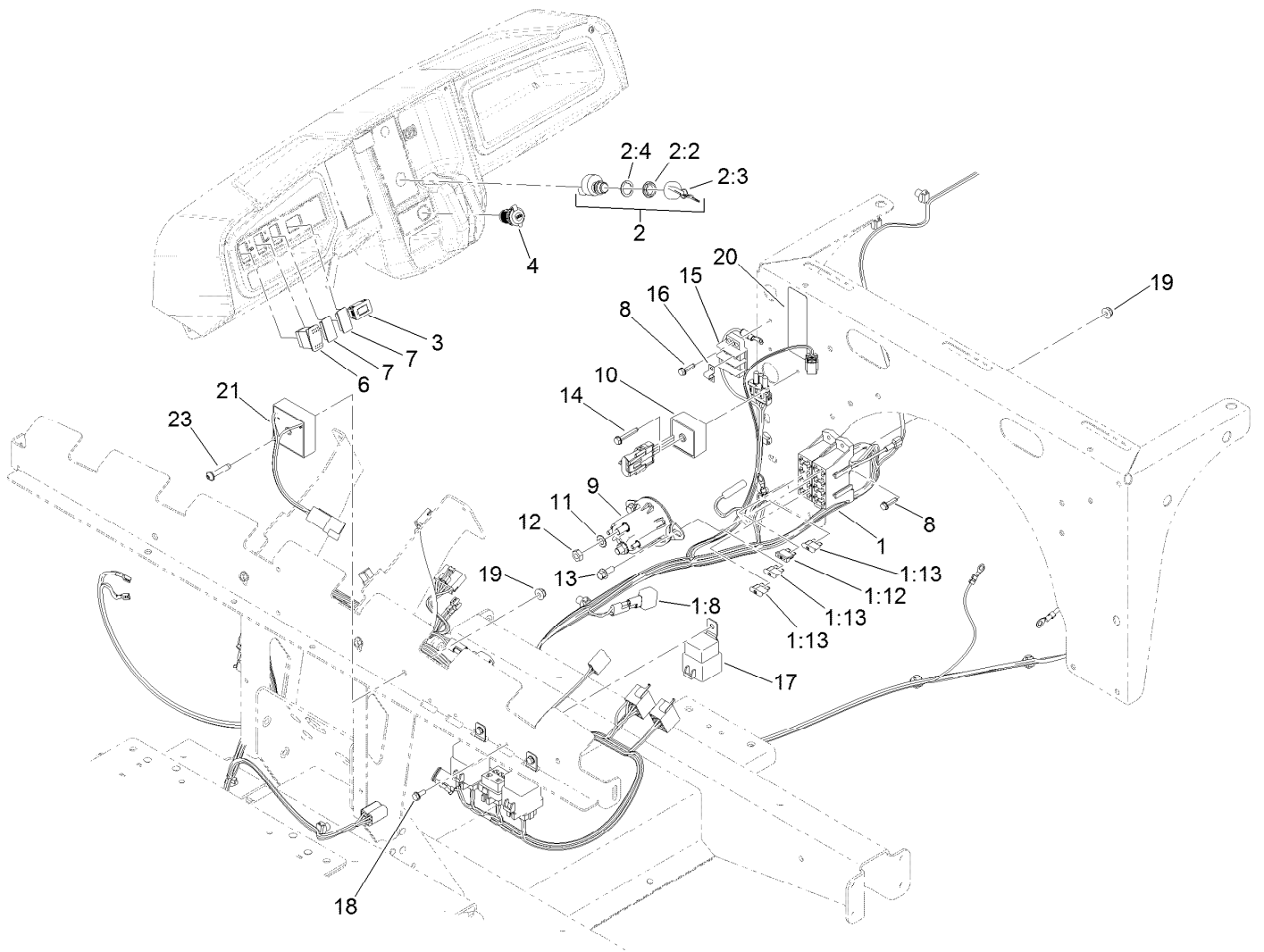
<i>Ref.</i>	<i>Part Number</i>	<i>Qty.</i>	<i>Description</i>	<i>Ref.</i>	<i>Part Number</i>	<i>Qty.</i>	<i>Description</i>
1	133-2400	1	Case-LH	26	133-2419	1	Clutch-Pin
2	133-2401	2	Seal-Oil	27	133-2420	1	Gear
3	104-1660	1	Ball-Steel	28	133-2421	2	Spacer
4	104-1661	1	Spring	29	133-2422	1	Bearing-Ball
5	104-1662	1	Gasket	30	133-2423	1	Case-Differential
6	104-1663	1	Bolt	31	133-2424	1	Set-Gear, Differential
7	133-2402	1	Case-RH	32	133-2425	1	Bearing-Ball
8	133-2403	1	Shaft-Select	33	104-1644	1	Shaft-Differential
9	133-2446	1	Seal-Oil	34	104-1645	1	Pin
10	133-2404	1	Ring-Snap	35	133-2426	1	Bearing-Ball
11	133-2405	1	Spacer	36	133-2427	1	Gear
12	104-1607	1	Seal-Oil	37	104-1649	6	Bolt
13	133-2406	1	Breather-Air	38	133-2428	2	Nut-Castle
14	133-2407	2	Plug-Drain, Oil	39	133-2429	1	Shaft-Axle, LH
15	133-2408	2	Gasket	40	133-2430	1	Shaft-Axle, RH
16	133-2409	2	Bearing-Ball	41	133-2431	2	Bearing-Ball
17	133-2410	1	Shaft-Input	42	133-2432	1	Case-Axle, LH
18	133-2411	1	Bearing-Ball	43	133-2433	1	Case-Axle, RH
19	133-2412	2	Bearing-Ball	44	133-2434	2	Ring-Snap
20	133-2413	1	Shaft-Counter	45	133-2435	1	Shaft-Shift
21	133-2414	1	Gear	46	133-2436	1	Bolt-Flange
22	133-2415	1	Gear	47	133-2437	9	Bolt-Flange
23	133-2416	1	Collar	48	133-2438	10	Bolt-Flange
24	133-2417	1	Gear	49	133-2439	2	Pipe-Knock
25	133-2418	1	Shaft-Center	50	133-2440	1	Differential ASM



Battery and Cable Assembly

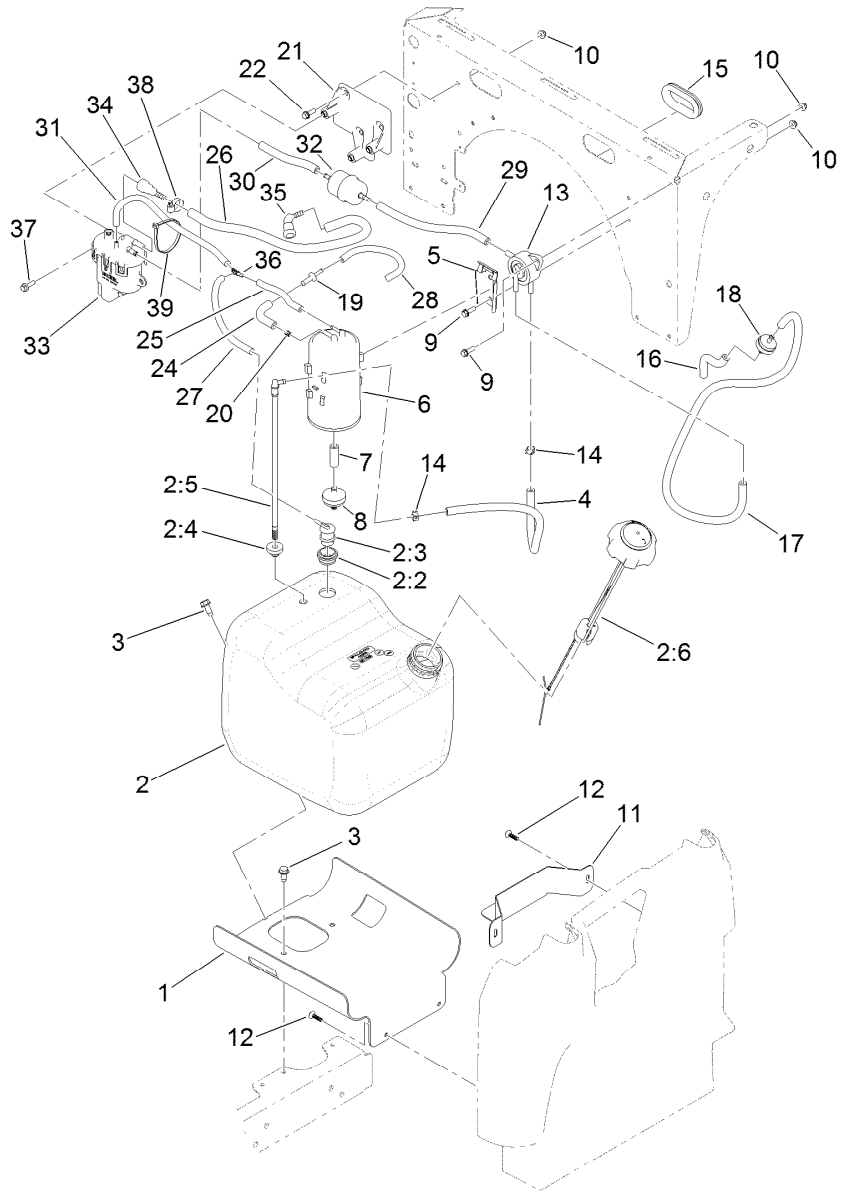
<i>Ref.</i>	<i>Part Number</i>	<i>Qty.</i>	<i>Description</i>	<i>Ref.</i>	<i>Part Number</i>	<i>Qty.</i>	<i>Description</i>
1	127-7810-03	1	Base-Battery	15	109-7621	1	Positive Battery Cable ASM
2	120-2349	4	Screw	15:1	1-543393	1	Insulator-Solenoid
3	106948	1	Tray-Battery	15:2	109-2407	1	Insulator-Battery
4	104-8162	1	Battery-Dry	16	3255-7	1	Washer-Lock/EXT
5	127-7816-03	1	Channel-Clamp, Battery	17	32180-030	1	Clip-Tie
6	127-7814-03	1	Plate-Clamp, Battery	18	32180-082	3	Clip-Edge W/Tie, Perpendicular
7	3256-22	1	Washer-Flat	19	122-1176	1	Cable-Battery, Negative
8	321-47	1	Screw-HH	20	3234-33	1	Screw-HHF
9	104-7201	1	Nut-HF	21	104-7201	1	Nut-HF
10	3234-5	2	Screw-HHF	22	3290-378	1	Tie-Cable
11	104-8300	2	Nut-HF, NI	99	107-0392	1	Protection-Terminal, Aerosol ●
12	32144-70	2	Screw-HWHTF				
13	122-0639	1	Cable-Battery, Positive				
14	122-0638	1	Cable-Battery, Negative				

● Not illustrated



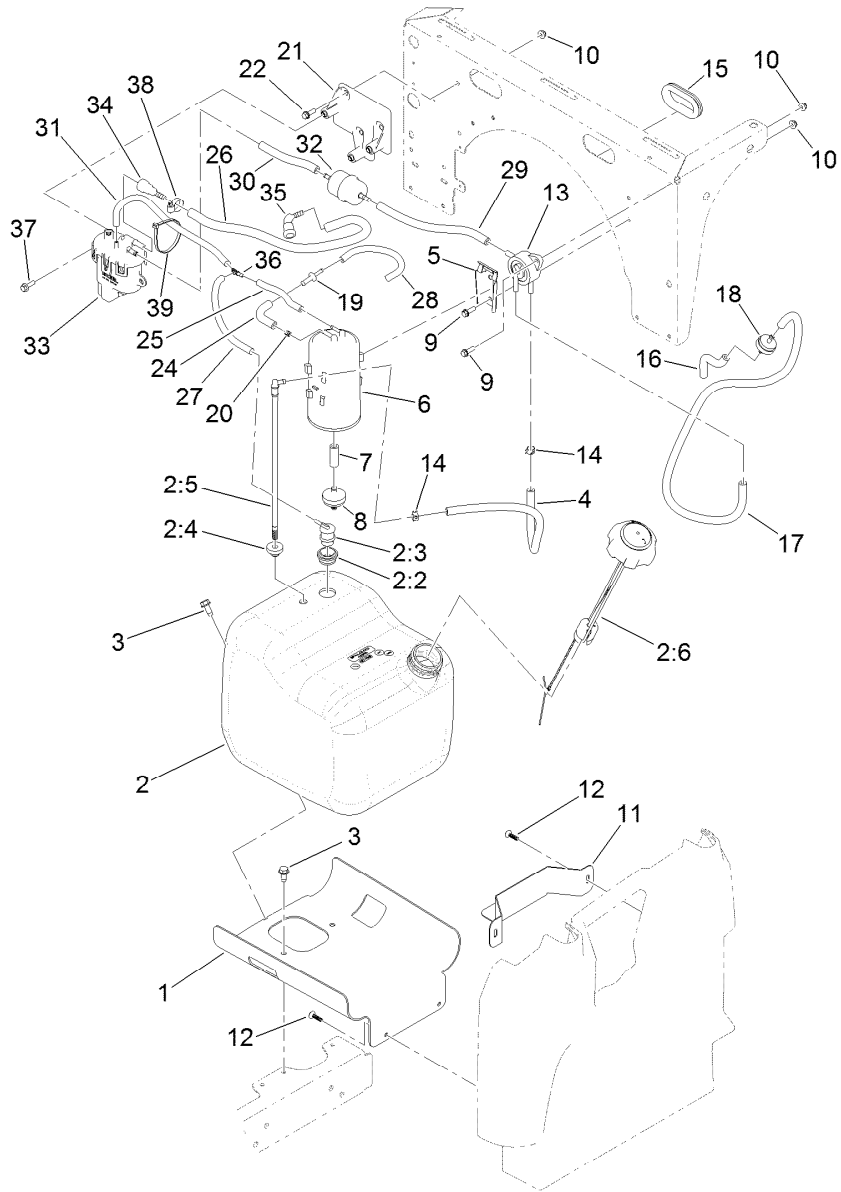
Electrical Assembly

<i>Ref.</i>	<i>Part Number</i>	<i>Qty.</i>	<i>Description</i>	<i>Ref.</i>	<i>Part Number</i>	<i>Qty.</i>	<i>Description</i>
1	122-1030	1	Harness-Wire	10	119-9492	1	Regulator-Voltage
1:8	100-4918	3	Diode	11	3255-8	2	Washer-Lock
1:12	109355	1	Fuse-Blade, 15 Amp	12	3220-2	2	Nut-Jam
1:13	218-578	3	Fuse-Blade, 10 Amp	13	3234-33	2	Screw-HHF
2	122-1145	1	Ignition Switch ASM	14	100-4352	1	Screw-HWH
2:2	108-8660	1	Nut-Mounting	15	42862	1	Block-Terminal, Ground
2:3	106-5270	1	Ignition Key Set	16	42863	1	Strip-Jumper
2:4	108-8659	1	Washer-Backup	17	99-7430	3	Relay
3	120-2244	1	Hourmeter	18	32144-1	3	Screw-Taptite
4	131-8388	1	Socket-USB	19	104-7201	4	Nut-HF
6	95-8999	1	Switch	20	138-5599	1	Decal-Fuse Block, Efi
7	99-7420	2	Plug-Hole	21	138-0085	1	Timer-Delay, 30 Sec (1 Amp)
8	100-4351	4	Screw-HWH	23	132-6777	1	Screw-TTH
9	114-3315	1	Solenoid				



Fuel System Assembly

Ref.	Part Number	Qty.	Description	Ref.	Part Number	Qty.	Description
1	127-7739-03	1	Mount-Tank, Fuel	17	110-3254	1	Hose-Fuel
2	127-7849	1	Fuel Tank ASM	18	56-6360	1	Filter-Fuel
2:2	114-0284	1	Grommet	19	117-5399	1	Adaptor-Orifice
2:3	114-0285	1	Valve-Rollover	20	120-2038	1	Cartridge-Valve, Check
2:4	46-6560	1	Bushing	21	136-6346	1	Bracket-Pump, Fuel
2:5	115-9044	1	Pipe-Stand	22	115-5103	3	Screw-HHF
2:6	131-8357	1	Cap-Gauge	24	114-3765	1	Hose-Fuel
3	32144-70	3	Screw-HWHTF	25	68-3632	1	Hose-Fuel
4	114-4428	1	Hose-Fuel	26	136-6343	1	Hose-Fuel
5	114-0292	1	Bracket-Canister, Carbon	27	136-6345	1	Hose-Fuel
6	127-8685	1	Canister-Carbon	28	115-7871	1	Hose-Fuel
7	106-5317	1	Hose-Fuel	29	109-0282	1	Hose-Fuel
8	115-7854	1	Filter-Fuel, Inline	30	109-0650	1	Hose-Fuel
9	32105-15	4	Screw-HWH	31	136-6344	1	Hose-Fuel
10	104-7201	7	Nut-HF	32	138-3526	1	Filter-Fuel, Kohler
11	127-7845-03	1	Bracket-Tank, Fuel	33	136-6347	1	Pump-Fuel
12	120-2349	4	Screw	34	125-2921	1	Fitting-Fuel
13	131-8526	1	Pump-Fuel	35	121-5585	1	Fitting-Fuel
14	2412-98	7	Clamp-Hose	36	136-6339	1	Fitting-Fuel, Wye
15	240-12	1	Grommet	37	33103-020	3	Screw-HHF
16	109-0678	1	Hose-Fuel				



Fuel System Assembly (continued)

<i>Ref.</i>	<i>Part Number</i>	<i>Qty.</i>	<i>Description</i>
38	2412-36	2	Clamp-Hose
39	3290-378	1	Tie-Cable

Attachments and Accessories

For 07060 Workman GTX EFI Utility Vehicle with Bench Seat

Product Name	Model/Part
Multi-passenger Kit.....	07133
Bucket Seat Base Kit (2016).....	07134
Bench Seat Base Kit (2016).....	07135
12V Electric Lift Kit.....	07144
Brush Guard Kit.....	07145
Front Hitch Kit, Workman GTX Series Utility Vehicles with Brush Guard.....	07146
Front Hitch Kit, Workman GTX or MDX Series Utility Vehicles without Brush Guard.....	07147
Steel Flat Bed Kit.....	07148
Extended Bed Kit.....	07149
Storage Box Kit.....	07156
Ball Picker Mounting Bracket Kit.....	07157
Brake and Signal Light Kit.....	132-8579
Walk Spreader Mounting Kit.....	07029
6in L-Track Kit.....	07158
2in L-Track Kit.....	07159
Hose Reel Mounting Kit.....	07027
Class 1 Draw Bar Kit.....	133-3095
Aggressive Tire Kit.....	07423
Horn Kit.....	133-3016
Reverse Alarm Kit.....	133-3018
Power Point Kit.....	131-8550
Parking Brake Alarm Kit.....	133-3019
Trash Can Mounting Kit.....	07028
Spark Arrestor Screen Kit.....	133-7109
Bed Rack Kit.....	07031
Cab Kit.....	07142
Canopy Kit.....	07140
Canopy Kit, Multi-passenger Workman GTX Utility Vehicle.....	07141
Mount-Ball.....	133-7116
Road Light and Homologation Kit.....	133-7128
12V Electric Bed Lift Kit.....	07167
Front Spring Kit.....	133-7145
Canopy Mount Kit, Workman GTX Utility Vehicle with Extended Flatbed.....	133-7160
Tire-20 8.00-10.....	116-7333
MVP Kit 400 Hour.....	136-6280
Cab Mount Kit, Workman GTX Utility Vehicle with Extended Flatbed.....	133-7198
Service Hood ASM.....	133-7209
ROPS Kit.....	07032
Crated Finishing Kit.....	07045
Cargo Bed Kit.....	07046
Bench Seat Base Kit.....	07047
Bucket Seat Base Kit.....	07048
Extension Kit.....	07049
Small Bedrack Mount Grip Kit.....	136-6311
Large Bedrack Mount Grip Kit.....	136-6312
Wireless Hourmeter Kit.....	136-6323

Attachments and Accessories (continued)

Optional Rear Tire GTX-K500..... 137-2785
Plate-Skid 137-2886-03
Seat Hinge Kit..... 133-7346

Notes:

Notes:



Count on it.