



ProLine

**12.5 HP / 36" Mid Size Fixed
Deck Kawasaki**

Model No. 30193 – 990251 & Up

Parts Catalog

ORDERING REPLACEMENT PARTS

To order replacement parts, please supply: the part number, the quantity, and the description of each part desired.

Contents

Description	Page	Description	Page
Engine & Fuel Tank	1	Engine Kawasaki Model	
Transmission, Pulleys And Drive Belt	2-3	FB460V Type MS14	9-20
Wheel, Brakes And Traction Belts	4	Peerless Transmission Model 700-070A ..	21-22
Handle Asm	5	Toro Part Number Index	23-26
Deck, Cover and Deck Drive Belts	6	Maintenance	27-28
Deck, Drive Pulleys & Caster Wheels	7		
Spindles And Blades	8		

Note:

Accessories

Description	Model / Parts No.	Description	Model / Parts No.
Recycler Kit	Model No. 30142		
Bagging Kit	Model No. 30198		
Low Sail Blade	Part No. E633485		

Part Description Abbreviations

Part descriptions in this catalog may include the following abbreviations.

Abbreviation	Meaning	Abbreviation	Meaning
AR	as required	HWHTF	hex washer head thread forming
ASM	assembly	INC	incorporated
CARR	carriage	LH	left hand
DEG	degrees	PH	pan head
FH	flat head	PPH	Phillips pan head
GA	gauge	PTO	power take off
HF	hex flange	RH	right hand
HFW	hex flange washer	SFH	slotted fillister head
HH	hex head	SH	square head
HHF	hex head flange	SHWH	slotted hex washer head
HHST	hex head self tapping	SPH	slotted pan head
HJ	hex jam	STD	standard
HOC	height-of-cut	TAP	self tapping
HS	hex socket	TH	truss head
HSBH	hex socket button head	TTH	Torx truss head
HSFH	hex socket flat head	WH	wing head
HSH	hex socket head		
HWH	hex washer head		

Important Format Explanations

This catalog uses special formats to convey information in illustrations and parts lists. Specifically, one format is used in conjunction with service assemblies and another with quantities associated with reference numbers.

Service Assemblies

Parts within service assemblies have reference numbers in the form $X:Y$. X is the reference number of the service assembly and Y is a sequential number unique to each part within the service assembly.

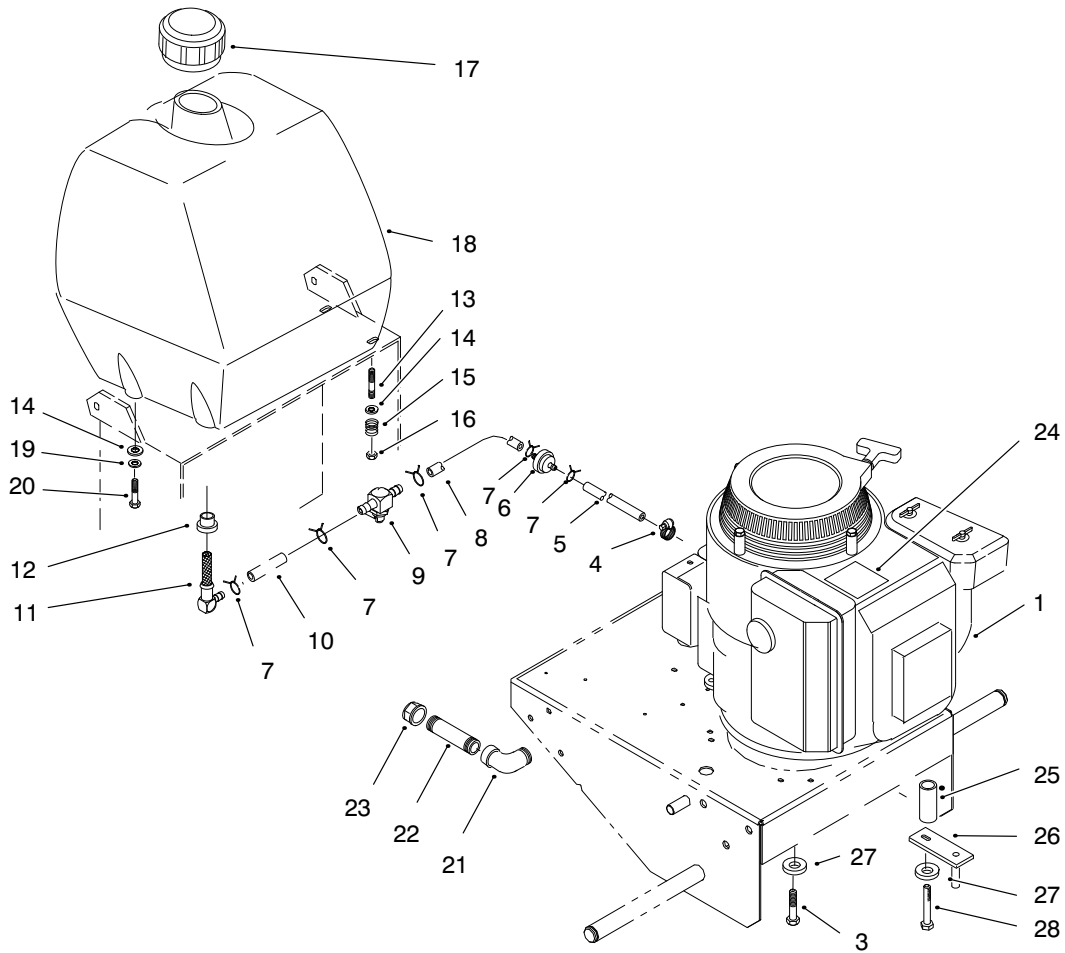
For example, a wheel assembly might be identified by reference number 6, the tire by 6:1, the valve by 6:2, and the wheel by 6:3. When you order the assembly identified by reference number 6, you receive all parts identified by reference numbers 6:1, 6:2, and 6:3. However, you may also order any part individually.

Reference numbers of this type appear in part lists and as callouts in illustrations.

Reference Numbers with Quantities

Illustrations may have a quantity in parentheses next to a reference number, in the form $X (Y)$. X is the reference number. Y in parentheses is the quantity of the part identified by the reference number.

For example, the illustration callout 4 (2) indicates that two parts are used in that instance.

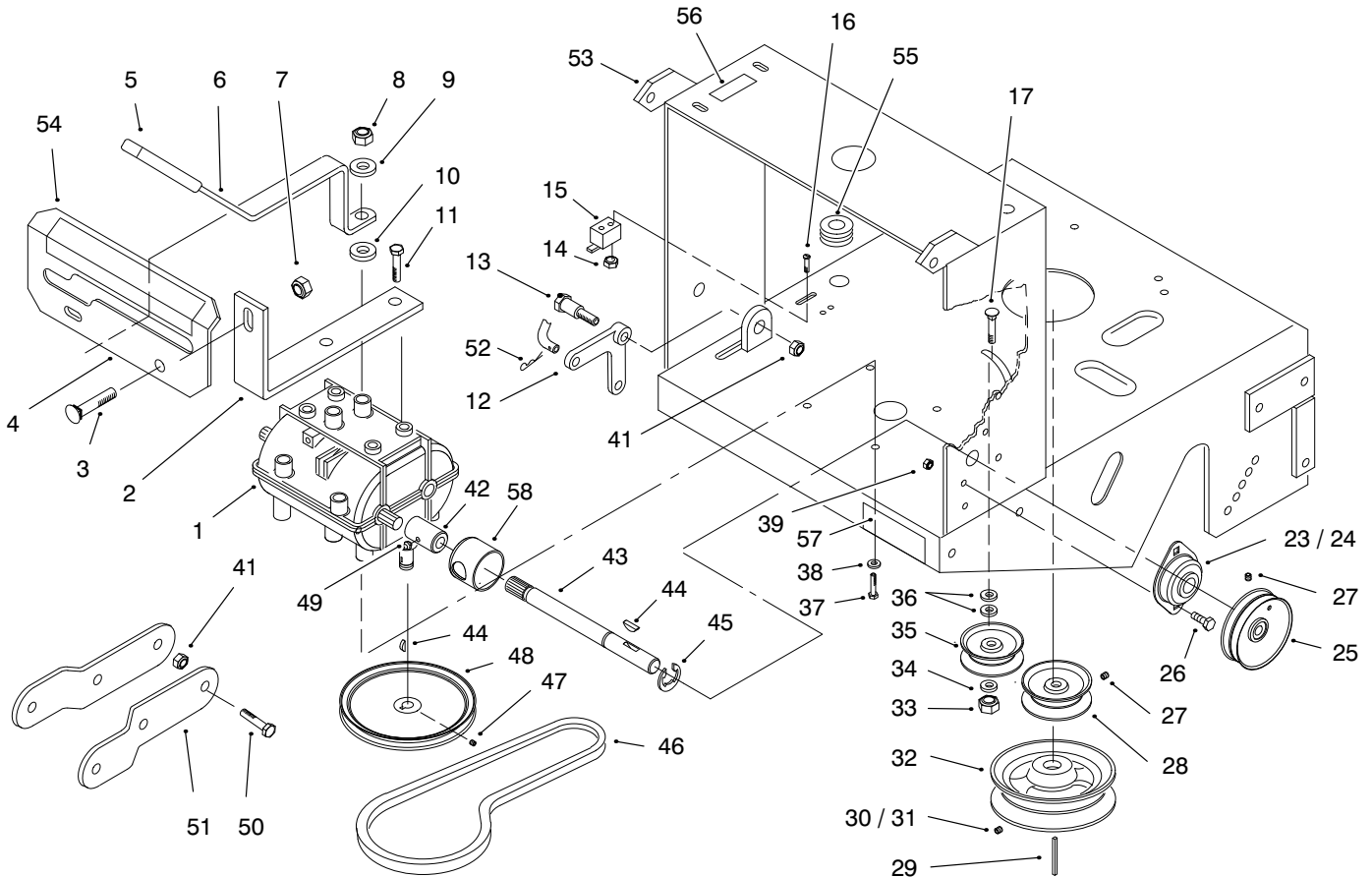


Sheet No.: 2

Engine & Fuel Tank

Ref. No.	Part No.	Qty.	Description
1	E303476	1	Engine
3	33114-025	2	Screw-HH
4	E303308	1	Clamp
5	E303022	1	Fuel Line-8.5 Inch
6	E303197	1	Filter
7	E303077	5	Clamp
8	E603776	1	Fuel-Line
9	E603770	1	Valve-Gas
10	E603955	1	Fuel-Line
11	E543277	1	Elbow
12	E513645	1	Bushing
13	E633023	2	Stud
14	3256-2	4	Washer-Flat
15	E633349	2	Spring-Fuel Tank
16	3296-29	2	Nut-Lock
17	E513508	1	Cap-Fuel Tank
18	E323551	1	Tank
19	3253-4	2	Washer-Lock
20	322-3	2	Screw-HH
21	E303431	1	Elbow
22	E323326	1	Nipple
23	E543233	1	Cap
24	63-8440	1	Decal-Hot Surface
25	E323228	2	Spacer
26	E322110	2	Guide-Belt

Ref. No.	Part No.	Qty.	Description
27	E303334	4	Washer-Lock
28	E809065	2	Screw-HH

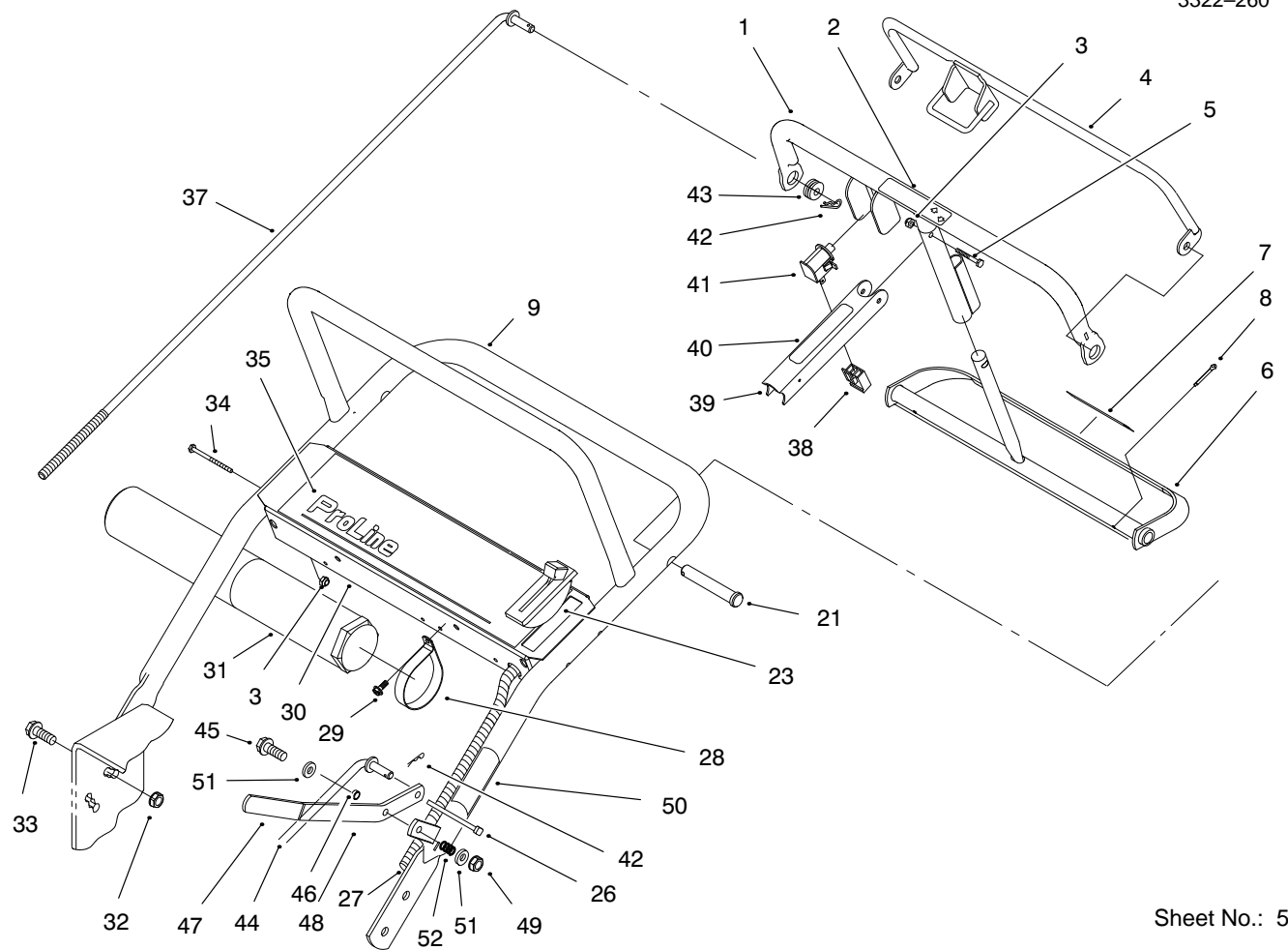


Sheet No.: 3

Transmission, Pulleys And Drive Belt

Ref. No.	Part No.	Qty.	Description
1		1	Transmission—Peerless Obtain Parts From Peerless
2	E323389	2	Leg—Shifter Lever
3	3230-1	21	Bolt—CARR
4	E323387	1	Shifter Plate
5	E303020	1	Grip
6	E323570	1	Lever—Shift
7	32128-20	2	Nut—Lock
8	3296-6	1	Nut—Lock
9	E303327	1	Washer—Lock
10	E323379	1	Washer
11	32104-32	4	Screw—HH
12	E303186	1	Bell Crank
13	E603403	1	Bolt—Shoulder
14	32146-18	2	Nut—Lock
15	E513152	1	Switch—Seat
16	E803028	2	Screw
17	E807511	1	Bolt—CARR
23	E323252	2	Bearing
24	E323254	2	Flange
25	E323257	2	Sheave
26	321-3	4	Screw—HH
27	E803310	3	Screw—Set
28	E323256	1	Sheave
29	E807264	1	Key
30	3242-4	1	Screw—Set

Ref. No.	Part No.	Qty.	Description
31	3242-6	1	Screw—Sqh Set
32	E303498	1	Pulley
33	32146-2	1	Nut—Hex Lock
34	3256-24	1	Washer—Flat
35	E323285	1	Idler Pulley
36	3256-25	1	Washer—Flat
37	322-3	4	Screw—HH
38	3253-4	4	Washer—Lock
39	32146-17	4	Nut—Lock
41	32128-43	5	Nut—Flange
42	E323680	2	Coupling
43	E323502	2	Output Shaft
44	E807009	3	Key
45	E808523	2	Ring—Retaining
46	E323630	1	Belt—Trans Drive
47	E803293	2	Screw—Set
48	E323278	1	Sheave
49	302-58	2	Fitting—Grease
50	323-6	4	Screw—HH
51	E323318	2	Hitch Bracket
52	3290-307	1	Pin—Cotter
53	E322201	1	Deck—Engine
54	E323560	1	Decal—Ground Speed
55	E543296	1	Grommet—Fuel Line
56	95-2814	1	Decal—Fuel Shut—Off

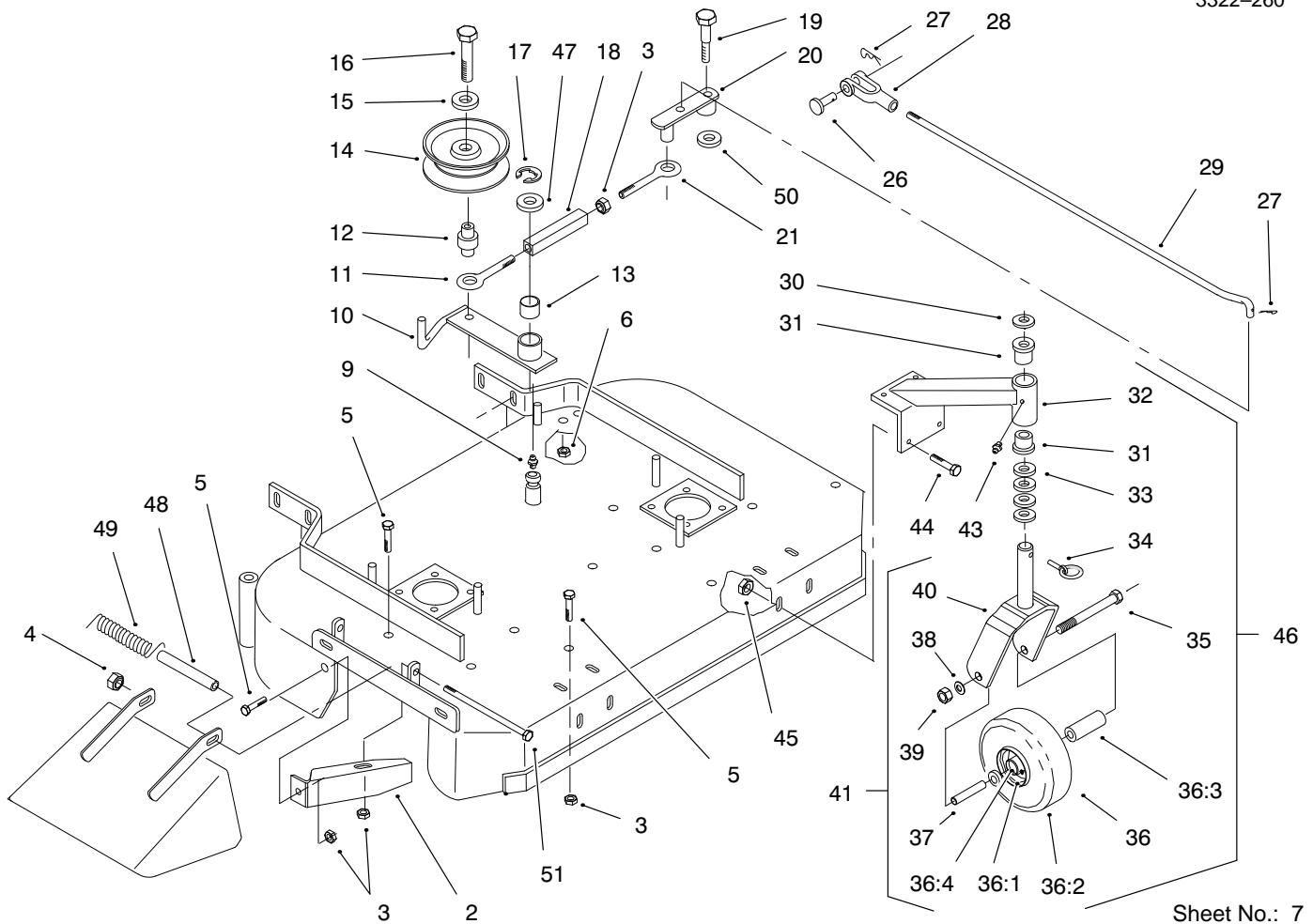


Sheet No.: 5

Handle Asm

Ref. No.	Part No.	Qty.	Description
1	E322215	1	Control Bar
2	82-2290	1	Decal-Control Bar
3	3296-2	5	Nut-Lock
4	E322208	1	Bail ASM
5	32105-1	1	Screw-HH
6	99-8501	1	Pivot-Control
7	82-2280	1	Decal-Reverse
8	3272-11	2	Pin-Cotter
9	E322216	1	Upper Handle ASM
21	283-55	2	Pin-Clevis
23	E323637	1	Throttle Control
26	3290-378	2	Tie-Cable
27	E323567	1	Wire Harness-Kawasaki
28	2412-120	2	Clamp-R
29	32104-76	2	Screw-Self TAP
30	E304259	1	Control Panel ASM
31	74-0720	1	Tube-Manual
32	32128-21	4	Nut-HF
33	3234-11	4	Screw-HHF
34	32105-14	4	Screw-HH
35	E323564	1	Decal-Panel
37	E323569	2	Rod-Control
38	218-595	1	Connector-Body
39	E323614	1	Lever-Parking Brake
40	E323558	1	Decal-Parking Brake

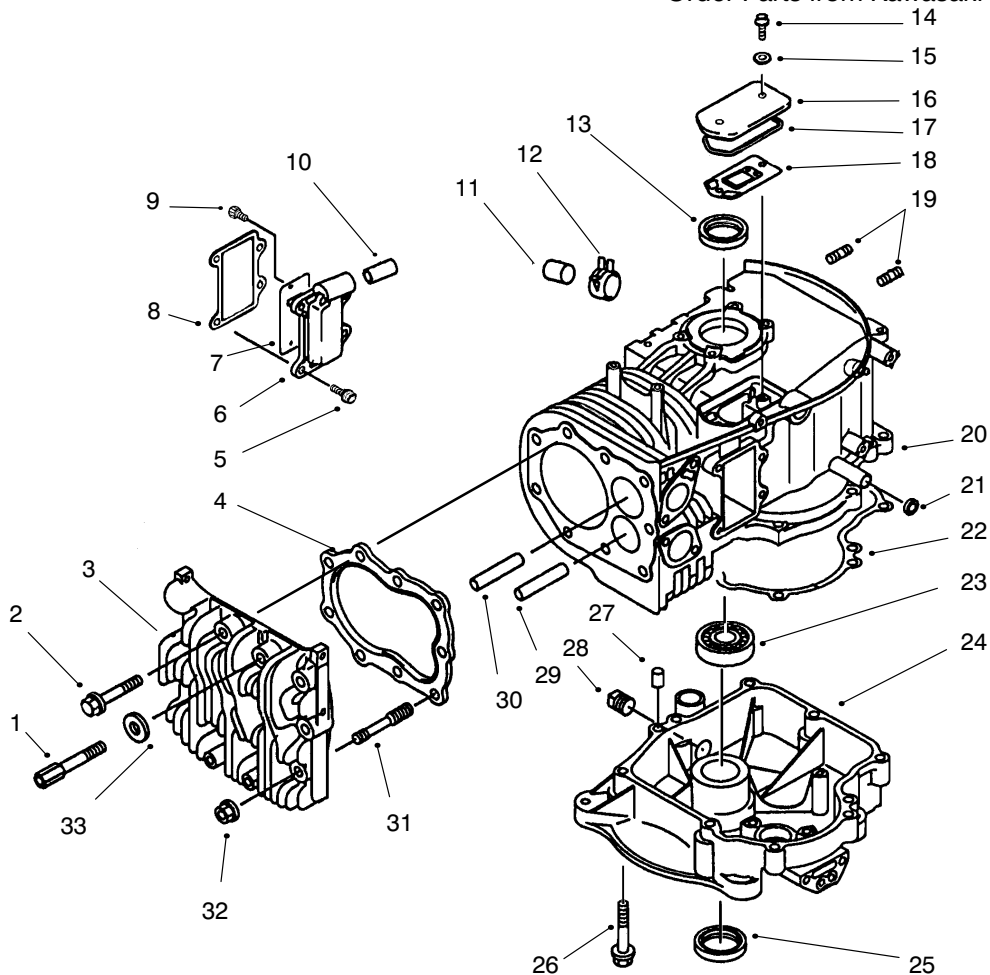
Ref. No.	Part No.	Qty.	Description
41	740275	1	Switch-Bail
42	3290-307	3	Pin-Cotter
43	237-141	2	Grommet
44	E323576	1	Linkage-Blade Drive
45	323-10	1	Screw-HH
46	99-8509	1	Spacer
47	E303020	1	Grip
48	E323573	1	Lever-Blade Engagement
49	32146-2	1	Nut-Hex Lock
50	E323563	1	Decal-Blade Engagement
51	3256-24	2	Washer-Flat
52	E303160	1	Spring-Compression



Deck, Drive Pulleys & Caster Wheels

Ref. No.	Part No.	Qty.	Description
2	E302189	1	Baffle
3	32128-20	9	Nut-Lock
4	3296-29	1	Nut-Lock
5	E800270	8	Screw-HH
6	32128-20	1	Nut-Lock
9	302-58	1	Fitting-Grease
10	E302129	1	Engagement Arm w/Bushing
11	E303348	1	Eye Bolt
12	E303434	1	Bushing
13	E303144	1	Bearing
14	E603843	1	Pulley-Idler
15	3256-24	1	Washer-Flat
16	E803003	1	Bolt-Whizlock
17	E808505	1	Ring-Retaining
18	E303236	1	Turnbuckle Body
19	E809084	1	Bolt-Shoulder
20	E322211	1	Assist Arm ASM
21	E303238	1	Eye Bolt
26	E808280	1	Pin-Clevis
27	3290-307	2	Pin-Cotter
28	E303105	1	Yoke
29	E323303	1	Linkage-Assist Arm
30	E513338	2	Washer
31	E303514	4	Bearing-Flanged
32	E302194	2	Support-Caster

Ref. No.	Part No.	Qty.	Description
33	E303314	8	Spacer
34	E809020	2	Pin
35	325-20	2	Screw-HH
36		2	Tire/Wheel ASM
36:1	E513807	2	Wheel Hub ASM
36:2	E513808	2	Tire
36:3	E513809	2	Bearing-Roller
36:4	E513810	4	Bushing
37	E513547	2	Spacer
38	3253-7	2	Washer-Lock
39	3217-9	2	Nut-HH
40	E322145	2	Fork
41	E322154	2	Caster Wheel ASM
43	E811001	2	Zerk
44	323-4	8	Screw-HH
45	32128-43	8	Nut-Flange
46	E322153	2	Caster/Mount ASM
47	E303352	1	Washer-Spindle
48	E323572	1	Spacer
49	E323575	1	Spring-Deflector
50	80-4980	1	Washer
51	E800289	1	Screw-HH

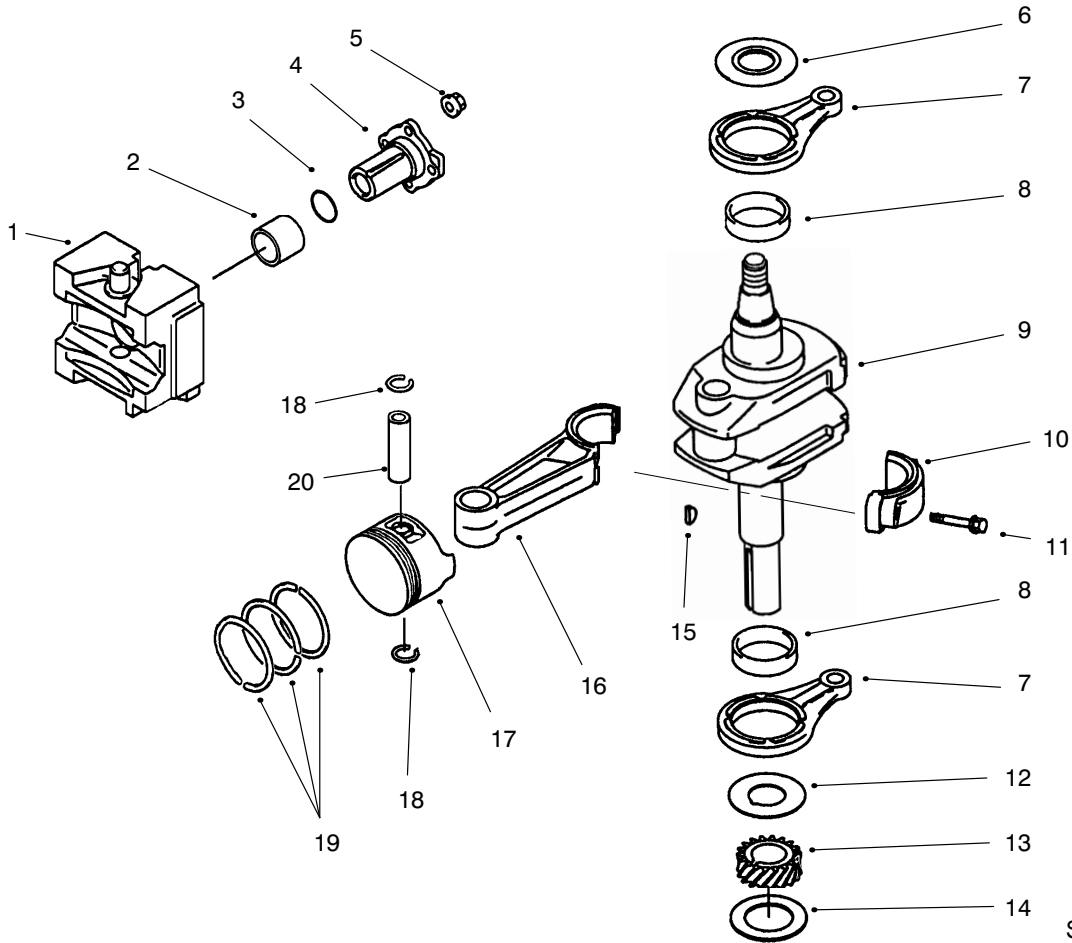


Sheet No.: 201

Crankcase

Ref. No.	Part No.	Qty.	Description
1	92002-2258	2	Bolt
2	130g1055	4	Bolt-Flange
3	11001-2151	1	Head-Cylinder
4	11004-2091	1	Gasket-Head
5	130g0616	4	Bolt-Flange
6	49108-2011	1	Cover-Valve Chamber
7	14025-2143	1	Cover
8	11060-2375	1	Gasket
9	92009-2307	2	Screw
10	92059-2142	1	Tube
11	92066-2096	1	Plug
12	92170-2088	1	Clamp
13	92049-2096	1	Seal-Oil
14	92002-2087	2	Bolt
15	11060-2323	2	Gasket
16	14025-2040	1	Cover-Breather
17	11009-2339	1	Gasket-Cover
18	14069-2062	1	Breather
19	92004-2083	4	Stud-6 X 14
20	49120-6108	1	Crankcase-Complete
21	92049-2097	1	Seal-Oil
22	11060-2015	1	Gasket-Crankcase
23	601a6207	1	Bearing-Ball
24	49015-6176	1	Cover-Crankcase
25	92049-2227	1	Seal-Oil
26	130g0845	8	Bolt-Flange

Ref. No.	Part No.	Qty.	Description
27	92043-1263	2	Pin
28	92066-2097	1	Plug
29	49002-2071	1	Guide-Valve Exhaust
30	49002-2070	1	Guide-Valve Intake
31	92004-2082	3	Stud
32	92015-2115	3	Nut
33	410b1000	2	Washer-Plain

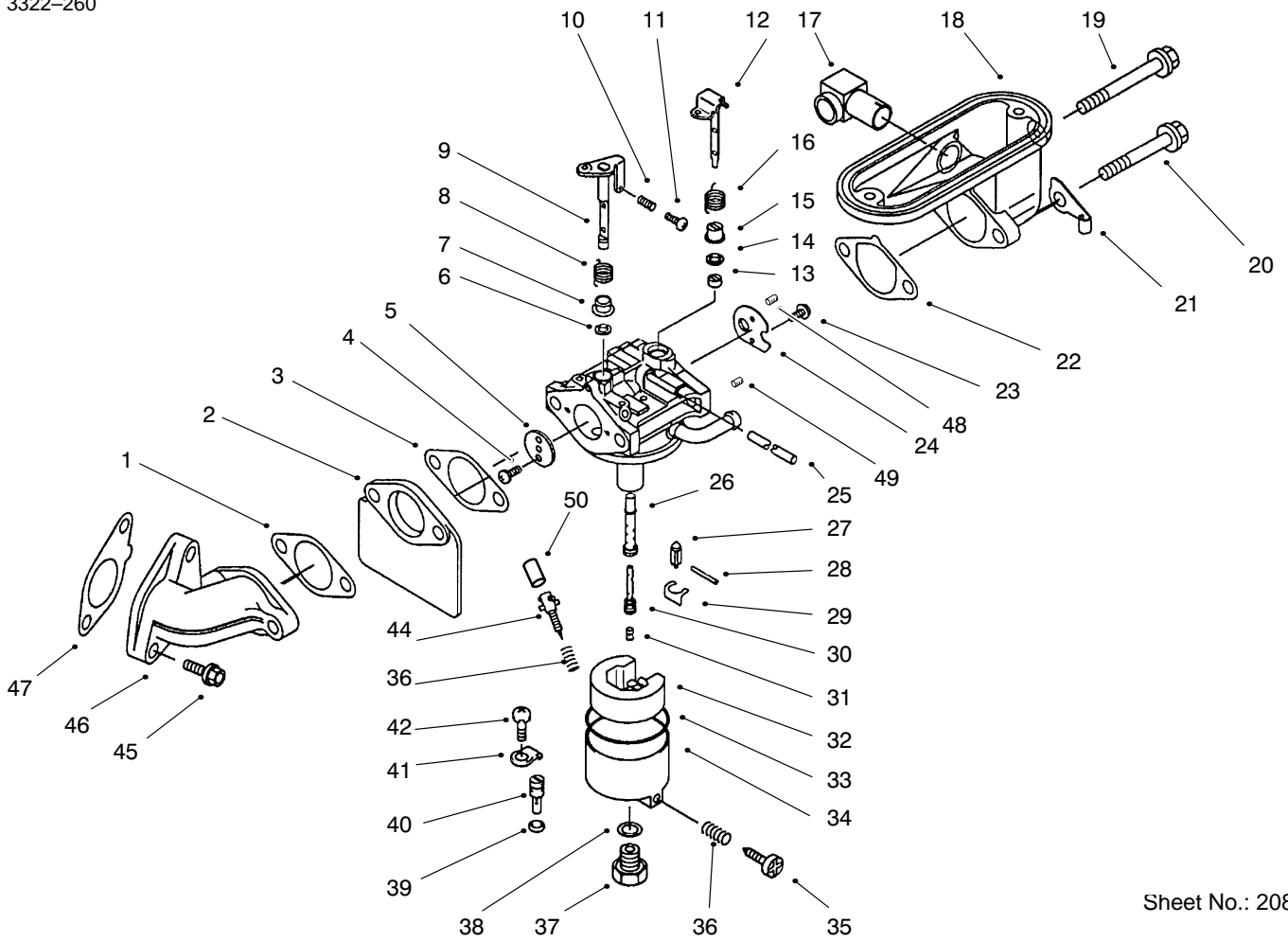


Sheet No.: 202

Piston / Crankshaft

Ref. No.	Part No.	Qty.	Description
1	13042-6006	1	Weight Incl #2
2	92141-2097	1	Bearing-Plane
3	92055-2072	1	O-Ring
4	13107-2253	1	Shaft
5	92015-1193	4	Nut
6	92026-2164	1	Spacer
7	46102-6007	2	Rod Incl #8
8	92141-2108	2	Bearing-Plane
9	49119-2177	1	Crankshaft ASM
11	92150-2193	2	Bolt
12	92026-2156	1	Spacer
13	59056-2105	1	Gear-Helical
14	92025-2145	A/R	Shim T=1.18
14	92025-2146	A/R	Shim T=1.25
14	92025-2147	A/R	Shim T=1.32
14	92025-2148	A/R	Shim T=1.39
14	92025-2149	A/R	Shim T=1.46
14	92025-2150	A/R	Shim T=1.53
14	92025-2151	A/R	Shim T=1.60
14	92025-2152	A/R	Shim T=1.67
14	92025-2153	A/R	Shim T=1.74
14	92180-2015	A/R	Shim T=1.11
14	92180-2016	A/R	Shim T=1.81
15	92038-2094	1	Key
16	13251-6005	1	Rod ASM Incl #10 11

Ref. No.	Part No.	Qty.	Description
16	13251-6007	A/R	Rod ASM Incl #10 11 0.50
17	13001-2096	1	Piston
17	13029-2084	A/R	Piston 0.25
17	13029-2085	A/R	Piston 0.50
18	92033-2176	2	Ring-Snap
19	13008-6009	1	Set-Ring Piston
19	13008-6010	A/R	Set-Ring Piston 0.25
19	13008-6011	A/R	Set-Ring Piston 0.50
20	13002-2066	1	Pin-Piston

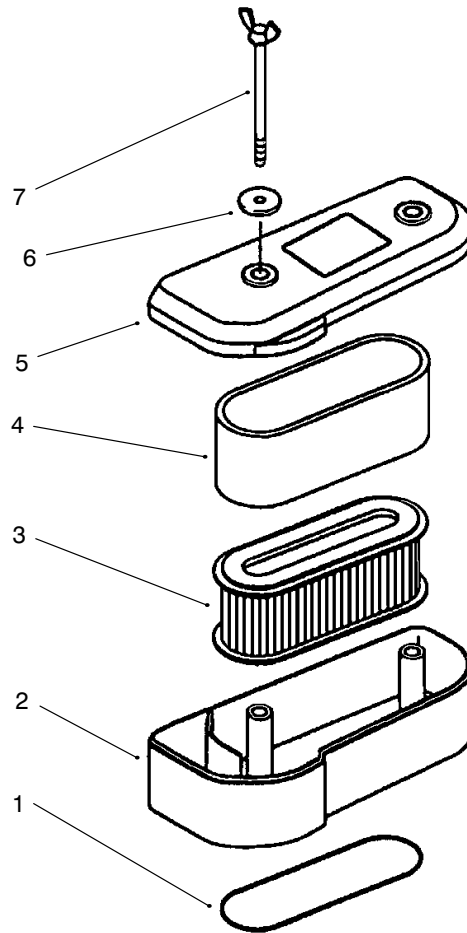


Sheet No.: 208

Carburetor

Ref. No.	Part No.	Qty.	Description
0	15003-2467	1	Carburetor ASM
1	11060-2338	1	Gasket-Intake Pipe
2	16073-2091	1	Insulator
3	11060-2339	2	Gasket-Carburetor
4	92009-2080	2	Screw
5	16025-2141	1	Valve-Throttle #110
6	92093-2082	1	Seal
7	92027-2025	1	Collar
8	92081-2077	1	Spring
9	16041-2009	1	Shaft-Throttle
10	92081-2046	1	Spring
11	92009-2079	1	Screw
12	16041-2010	1	Shaft-Choke
13	92027-2003	1	Collar
14	92093-2069	1	Seal
15	92143-2142	1	Collar
16	92144-2160	1	Spring
17	59071-2062	1	Joint
18	16060-2108	1	Pipe-Intake
19	92002-2254	1	Bolt
20	92002-2253	1	Bolt
21	92170-2019	1	Clamp
22	11060-2338	1	Gasket
23	92009-2081	2	Screw
24	16126-2206	1	Valve-Choke
25	92059-2266	1	Tube

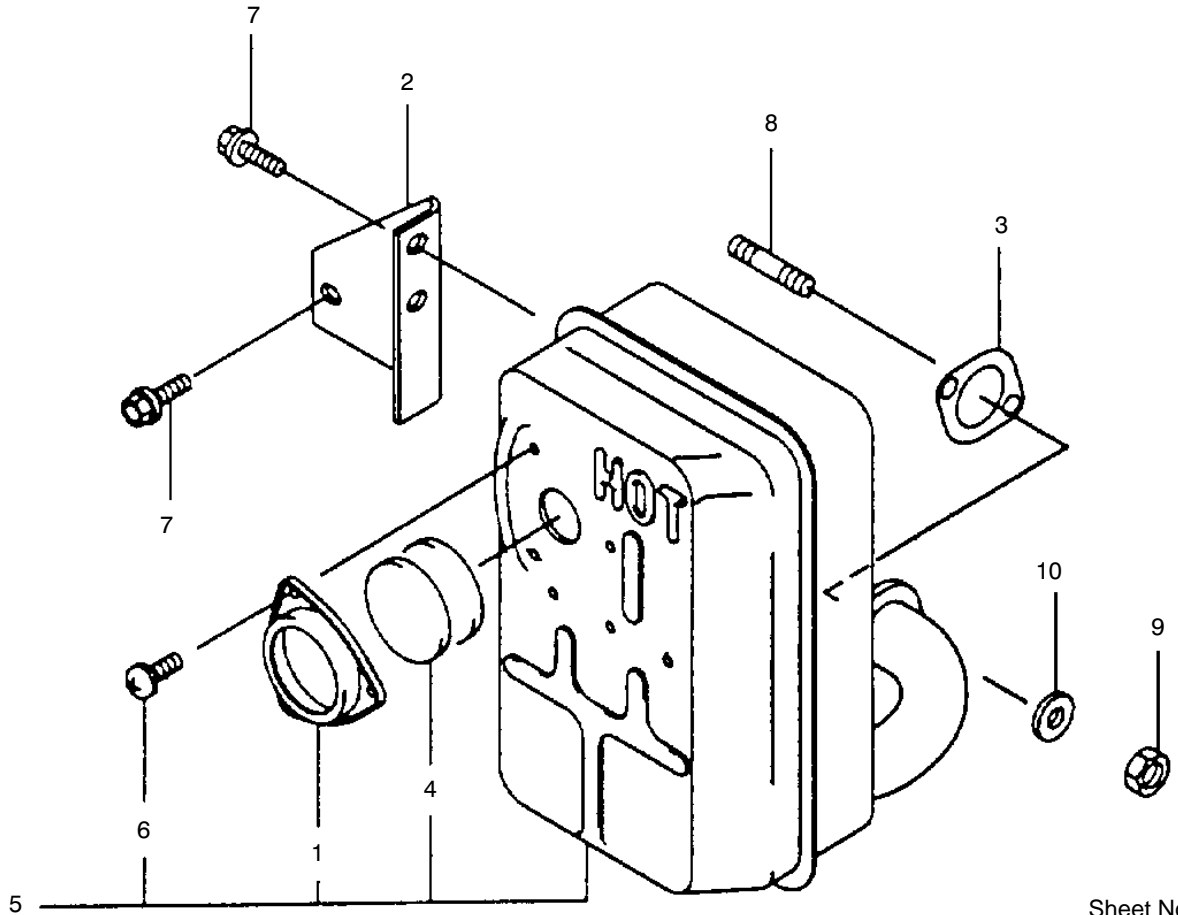
Ref. No.	Part No.	Qty.	Description
26	49121-2207	1	Nozzle-Main #98A
27	16030-2073	1	Valve-Float
28	92043-2006	1	Pin
29	92033-2067	1	Ring-Snap
30	49123-2078	1	Holder-Main Jet
31	92063-2294	1	Jet-Main
32	16031-2066	1	Float
33	11009-2024	1	Gasket
34	16020-2109	1	Chamber-Float Incl 35 36
35	92009-2015	1	Screw
36	92081-2009	2	Spring
37	92150-2146	1	Bolt
38	11009-2025	1	Gasket
39	16038-024	1	Gasket
40	92064-2108	1	Jet-Pilot
41	13183-2252	1	Plate
42	92009-2244	1	Screw
44	16014-2076	1	Screw-Pilot Air
45	130g0825	2	Bolt-Flange
46	16060-2109	1	Pipe-Intake
47	11060-2337	1	Gasket-Intake Pipe
48	16035-2063	1	Jet-Air #0.9
49	16035-2051	1	Jet-Air #1.4
50	39076-2053	1	Limiter



Sheet No.: 210

Air Filter

Ref. No.	Part No.	Qty.	Description	Ref. No.	Part No.	Qty.	Description
1	11009-2443	1	Gasket-Air Filter				
2	11011-2174	1	Case-Air Filter				
3	11013-2021	1	Element-Air Filter				
4	11013-2020	1	Element-Air Filter				
5	11012-2192	1	Cap-Air Filter				
6	92022-2220	2	Washer				
7	92002-2230	2	Bolt				
	11010-2291	1	Filter ASM				



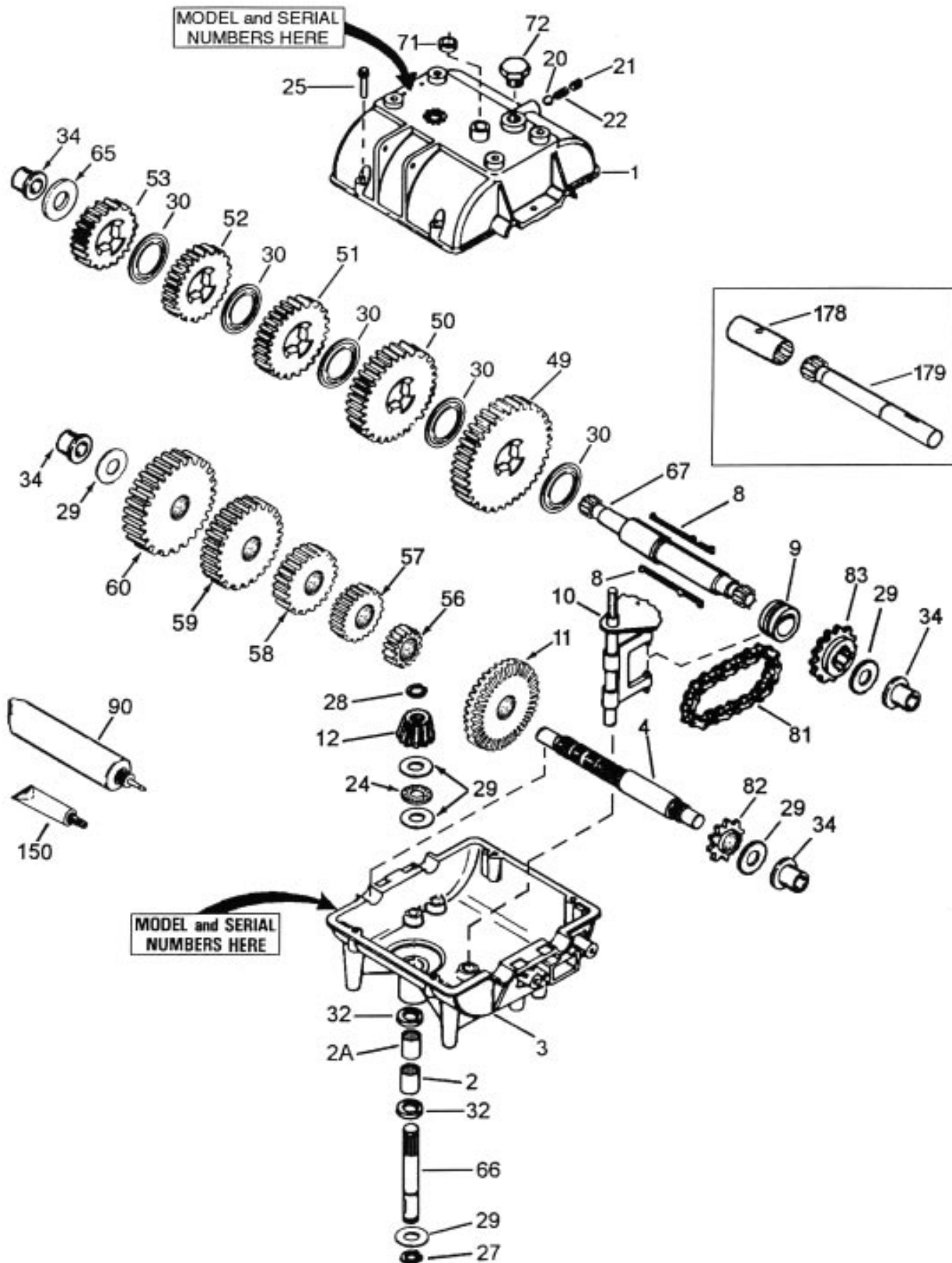
Sheet No.: 211

Muffler

Ref. No.	Part No.	Qty.	Description
1	11012-2251-9Y	1	Cap-Spark Arrester
2	11046-2163-9Y	1	Bracket
3	11060-2379	1	Gasket
4	18077-2052	2	Arrester-Spark
5	49069-2210-9Y	1	Muffler Assembly
6	92009-2166	3	Screw
7	130G0812	4	Bolt-Flanged
8	171G0818	2	Bolt-Stud
9	317R0800	2	Nut-Hex Small
10	461F0800	2	Washer-Spring

Ref. No.	Part No.	Qty.	Description

PEERLESS TRANSMISSION MODEL 700-070A



PEERLESS TRANSMISSION MODEL 700-070A

Ref. No.	Part No.	Description	No. Used	Ref. No.	Part No.	Description	No. Used
1	772083A	Transmission Cover	1	52	778124A	Spur Gear (30 Teeth)	1
2	780086A	Needle Bearing	1	53	778123A	Spur Gear (25 Teeth)	1
2A	780142	Needle Bearing	1	56	778145	Spur Gear	
3	770061A	Transmission Case	1			(12 Teeth-Steel)	1
4	776134	Countershaft	1	57	778151	Spur Gear (15 Teeth)	1
8	792089A	Shift Key	4	58	778240	Spur Gear	
9	784266	Shift Collar	1			(18 Teeth-Steel)	1
10	784376	Shift Rod & Fork	1	59	778126A	Spur Gear (20 Teeth)	1
11	778154	Bevel Gear (42 Teeth)	1	60	778127A	Spur Gear (25 Teeth)	1
12	778176	Bevel Pinion		65	780139	Washer	1
		(14 Teeth-Steel)	1	66	776135	Input Shaft (3-11/16" long)	1
20	792077A	Ball 5/16" Dia.	1	67	776402	Shifter & Brake Shaft	1
21	792078	Set Screw	1	71	788069	Square Cut Ring	1
22	792079	Spring	1	72	792074	Threaded Plug	1
24	780071	Thrust Bearing	1	81	786081	Roller Chain	
25	792073A	Screw	6			(No. 41 Chain, 24 Links)	1
27	792035	Retaining Ring	1	82	786082	Sprocket (9 Teeth)	1
28	788040	Retaining Ring	1	83	786083	Sprocket (18 Teeth)	1
29	780072	Washer	6	90	788067B	Grease (32 oz. Bottle	
30	780108	Washer	5			Bentonite Grease)	1
32	792001	O-Ring	2	150	510334	Gasket Eliminator	
34	780105A	Flanged Bushing	4			(Loctite #515)	1
49	778146A	Spur Gear (37 Teeth)	1	178	786176	Coupling (Optional)	1
50	778125	Spur Gear (35 Teeth)	1	179	776401	Connector Shaft (Optional)	1
51	778239A	Spur Gear					
		(32 Teeth-Steel)	1				

Toro Part Number Index

Part No.	Page No.	Ref. No.	Qty.	Description
740275	5	41	1	Switch-Bail
E302129	7	10	1	Engagement Arm w/Bushing
E302189	7	2	1	Baffle
E302194	7	32	2	Support-Caster
E303020	2	5	1	Grip
E303020	5	47	1	Grip
E303022	1	5	1	Fuel Line-8.5 Inch
E303077	1	7	5	Clamp
E303105	7	28	1	Yoke
E303125	4	31	2	Tire
E303144	7	13	1	Bearing
E303160	5	52	1	Spring-Compression
E303186	2	12	1	Bell Crank
E303197	1	6	1	Filter
E303236	7	18	1	Turnbuckle Body
E303238	7	21	1	Eye Bolt
E303308	1	4	1	Clamp
E303314	7	33	8	Spacer
E303327	2	9	1	Washer-Lock
E303327	4	2	4	Washer-Lock
E303327	6	9	6	Washer-Lock
E303334	1	27	4	Washer-Lock
E303334	8	18	8	Washer-Lock
E303348	7	11	1	Eye Bolt
E303352	7	47	1	Washer-Spindle
E303431	1	21	1	Elbow
E303434	7	12	1	Bushing
E303476	1	1	1	Engine
E303498	2	32	1	Pulley
E303514	7	31	4	Bearing-Flanged
E303536	6	7	2	Stud-Belt Shield(Long)
E303537	6	6	2	Stud-Belt Shield(Short)
E303558	8	21	2	Pulley
E304254	6	21	1	Deck / Decal ASM
E304256	6	1	1	Discharge Chute w/Decal
E304258	6	4	1	Belt Cover w/Decal
E304259	5	30	1	Control Panel ASM
E322110	1	26	2	Guide-Belt
E322125	4	13	2	Swivel
E322145	7	40	2	Fork
E322153	7	46	2	Caster/Mount ASM
E322154	7	41	2	Caster Wheel ASM
E322201	2	53	1	Deck-Engine
E322205	4	8	1	Idler Arm ASM LH
E322206	4	9	1	Idler Arm ASM RH
E322208	5	4	1	Bail ASM
E322209	4	24	2	Brake Arm ASM
E322211	7	20	1	Assist Arm ASM
E322212	4	41	1	Axle ASM
E322215	5	1	1	Control Bar
E322216	5	9	1	Upper Handle ASM
E323228	1	25	2	Spacer
E323252	2	23	2	Bearing
E323253	4	29	4	Sheave
E323254	2	24	2	Flange
E323256	2	28	1	Sheave
E323257	2	25	2	Sheave
E323260	4	37	8	Spacer
E323261	4	38	2	Drum-Brake
E323278	2	48	1	Sheave
E323285	2	35	1	Idler Pulley
E323296	4	12	2	Brake Rod

*Not Illustrated

Toro Part Number Index (cont.)

Part No.	Page No.	Ref. No.	Qty.	Description
E323303	7	29	1	Linkage—Assist Arm
E323307	4	26	4	Pin
E323318	2	51	2	Hitch Bracket
E323326	1	22	1	Nipple
E323329	4	35	4	Bearing
E323360	4	32	2	Wheel ASM w/Bearings
E323379	2	10	1	Washer
E323385	6	3	4	Knob
E323387	2	4	1	Shifter Plate
E323389	2	2	2	Leg—Shifter Lever
E323399	8	23	2	Spacer
E323417	6	5	4	Washer
E323502	2	43	2	Output Shaft
E323528	8	15	2	Spacer
E323529	8	5	2	Tube Spindle Short
E323532	8	25	2	Housing
E323533	8	7	2	Spacer
E323539	8	4	8	Spacer
E323551	1	18	1	Tank
E323555	6	16	1	Decal—Belt Routing
E323558	5	40	1	Decal—Parking Brake
E323560	2	54	1	Decal—Ground Speed
E323562	3	57	1	Decal—Caution
E323563	5	50	1	Decal—Blade Engagement
E323564	5	35	1	Decal—Panel
E323566	6	20	1	Decal—Proline 36
E323567	5	27	1	Wire Harness—Kawasaki
E323569	5	37	2	Rod—Control
E323570	2	6	1	Lever—Shift
E323572	7	48	1	Spacer
E323573	5	48	1	Lever—Blade Engagement
E323574	4	22	2	Spring—Extension
E323575	7	49	1	Spring—Deflector
E323576	5	44	1	Linkage—Blade Drive
E323595	4	23	2	Band—Brake
E323607	4	46	1	Shield—Trailing
E323614	5	39	1	Lever—Parking Brake
E323629	6	2	1	Belt—Blade Drive
E323630	2	46	1	Belt—Trans Drive
E323631	4	43	2	Belt—Drive
E323632	4	19	2	Shield
E323634	4	14	2	Idler—Wheel Drive
E323637	5	23	1	Throttle Control
E323659	6	19	1	Decal—Torque
E323680	2	42	2	Coupling
E323694	4	18	4	Spacer
E412358	4	42	2	Scraper
E513016	8	11	4	Bearing
E513152	2	15	1	Switch—Seat
E513208	8	2	2	Washer—Lock
E513338	7	30	2	Washer
E513508	1	17	1	Cap—Fuel Tank
E513547	7	37	2	Spacer
E513645	1	12	1	Bushing
E513807	7	36:1	2	Wheel Hub ASM
E513808	7	36:2	2	Tire
E513809	7	36:3	2	Bearing—Roller
E513810	7	36:4	4	Bushing
E513959	4	11	2	Wingnut
E523157	4	33	A/R	Spacer—14 GA
E543233	1	23	1	Cap
E543277	1	11	1	Elbow

*Not Illustrated

Toro Part Number Index (cont.)

Part No.	Page No.	Ref. No.	Qty.	Description
E543296	2	55	1	Grommet-Fuel Line
E543436	4	33	A/R	Spacer-18 GA
E603403	2	13	1	Bolt-Shoulder
E603770	1	9	1	Valve-Gas
E603776	1	8	1	Fuel-Line
E603843	7	14	1	Pulley-Idler
E603955	1	10	1	Fuel-Line
E633023	1	13	2	Stud
E633349	1	15	2	Spring-Fuel Tank
E633482	8	3	2	Blade
E633485	8	3	2	Blade-Low Lift
E633573	8	16	2	Guard
E634619	8	13	2	Housing-Spindle
E800270	7	5	8	Screw-HH
E800289	7	51	1	Screw-HH
E800861	8	1	2	Screw-HH
E803003	7	16	1	Bolt-Whizlock
E803028	2	16	2	Screw
E803051	4	28	4	Nut
E803293	2	47	2	Screw-Set
E803310	2	27	3	Screw-Set
E803310	8	22	2	Screw-Set
E807009	2	44	3	Key
E807264	2	29	1	Key
E807267	8	6	2	Key
E807511	2	17	1	Bolt-CARR
E808280	7	26	1	Pin-Clevis
E808501	4	27	2	Ring-Retaining
E808502	8	20	2	Ring-Retaining
E808505	7	17	1	Ring-Retaining
E808519	4	34	2	Ring-Retaining
E808522	4	6	2	Ring
E808523	2	45	2	Ring-Retaining
E809020	7	34	2	Pin
E809065	1	28	2	Screw-HH
E809084	7	19	1	Bolt-Shoulder
E811001	7	43	2	Zerk
43-8480	6	18	1	Decal-Danger
51-4220	3	58	2	Guard-Coupler
63-8440	1	24	1	Decal-Hot Surface
66-1340	6	17	1	Decal-Discharge
67-5360	6	15	1	Decal-Danger
74-0521	4	10	2	Rod-Fitting
74-0720	5	31	1	Tube-Manual
80-4980	7	50	1	Washer
82-2280	5	7	1	Decal-Reverse
82-2290	5	2	1	Decal-Control Bar
93-1122	6	14	1	Decal-Danger
95-2814	2	56	1	Decal-Fuel Shut-Off
98-3269	6	13	1	Decal-Made In USA
99-8501	5	6	1	Pivot-Control
99-8509	5	46	1	Spacer
218-595	5	38	1	Connector-Body
237-141	5	43	2	Grommet
2412-104	4	47	2	Clamp
2412-120	5	28	2	Clamp-R
283-6	4	49	2	Pin-Clevis
283-55	5	21	2	Pin-Clevis
302-58	2	49	2	Fitting-Grease
302-58	4	4	2	Fitting-Grease
302-58	7	9	1	Fitting-Grease
321-3	2	26	4	Screw-HH

*Not Illustrated

Toro Part Number Index (cont.)

Part No.	Page No.	Ref. No.	Qty.	Description
322-3	1	20	2	Screw-HH
322-3	2	37	4	Screw-HH
322-6	4	40	8	Screw-HH
322-6	8	9	8	Screw-HH
323-4	7	44	8	Screw-HH
323-6	2	50	4	Screw-HH
323-6	4	3	4	Screw-HH
323-7	6	10	6	Screw-HH
323-10	5	45	1	Screw-HH
323-11	4	5	2	Screw
323-16	4	20	4	Screw-HH
325-20	7	35	2	Screw-HH
3210-3	4	45	2	Screw-HH
3217-9	7	39	2	Nut-HH
3219-6	8	24	2	Nut-Hex
3230-1	2	3	21	Bolt-CARR
3234-11	5	33	4	Screw-HHF
3242-4	2	30	1	Screw-Set
3242-6	2	31	1	Screw-Sqh Set
3253-4	1	19	2	Washer-Lock
3253-4	2	38	4	Washer-Lock
3253-4	4	39	8	Washer-Lock
3253-7	7	38	2	Washer-Lock
3256-2	1	14	4	Washer-Flat
3256-23	4	51	2	Washer-Flat
3256-24	2	34	1	Washer-Flat
3256-24	5	51	2	Washer-Flat
3256-24	7	15	1	Washer-Flat
3256-25	2	36	1	Washer-Flat
3272-11	5	8	2	Pin-Cotter
3290-307	2	52	1	Pin-Cotter
3290-307	4	25	2	Pin-Cotter
3290-307	4	50	2	Pin-Cotter
3290-307	5	42	3	Pin-Cotter
3290-307	7	27	2	Pin-Cotter
3290-378	5	26	2	Tie-Cable
3296-2	5	3	5	Nut-Lock
3296-6	2	8	1	Nut-Lock
3296-29	1	16	2	Nut-Lock
3296-29	7	4	1	Nut-Lock
32104-32	2	11	4	Screw-HH
32104-76	5	29	2	Screw-Self TAP
32105-1	5	5	1	Screw-HH
32105-14	5	34	4	Screw-HH
32128-20	2	7	2	Nut-Lock
32128-20	6	8	4	Nut-Lock
32128-20	7	3	9	Nut-Lock
32128-20	7	6	1	Nut-Lock
32128-20	8	14	8	Nut-Lock
32128-21	5	32	4	Nut-HF
32128-43	2	41	5	Nut-Flange
32128-43	4	1	14	Nut-Flange
32128-43	6	11	6	Nut-Flange
32128-43	7	45	8	Nut-Flange
32146-2	2	33	1	Nut-Hex Lock
32146-2	5	49	1	Nut-Hex Lock
32146-4	4	48	2	Nut-Lock
32146-17	2	39	4	Nut-Lock
32146-18	2	14	2	Nut-Lock
33114-025	1	3	2	Screw-HH

*Not Illustrated

