



# ProLine 21" Recycler® II

## Walk-behind Power Mower

Model No. 22043 — 9900001 & Up

### Operator's Manual

Para obtener una versión gratis de este manual en español, escriba a la dirección indicada más abajo. Asegúrese de indicar el modelo y el número de serie de su producto.  
The Toro Company, Attn: Parts Dept., 8111 Lyndale Ave S, Bloomington, MN 55420-1196

# Contents

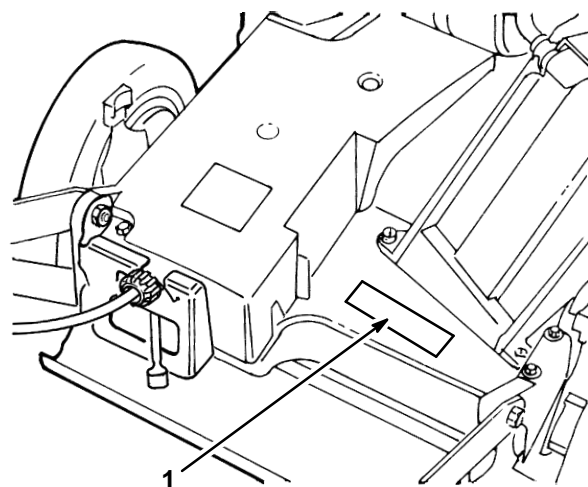
	Page
Introduction .....	2
Safety .....	3
Safe Operating Practices .....	3
General Operation .....	3
While Operating .....	3
Maintenance and Storage .....	4
Safety and Instruction Decals .....	4
Assembly .....	5
Handle (Fig. 2) .....	5
Gas Tank and Fuel Line .....	5
Air Cleaner Cover .....	6
Discharge Tunnel Plug .....	6
Before Starting .....	7
Mix Gasoline and Oil—50:1 Ratio .....	7
Recycling Tips .....	8
General Tips .....	8
Operation .....	9
Operating Tips .....	9
Starting, Stopping, and Self-propelling .....	9
Using Discharge Tunnel Plug .....	10
Using Grass Bag .....	10
Adjusting Height-of-cut .....	11
Maintenance .....	12
Servicing Air Cleaner .....	12
Replacing Spark Plug .....	12
Draining Gasoline .....	12
Adjusting Throttle .....	13
Cleaning Cooling System .....	13
Cleaning Muffler and Exhaust Port .....	13
Adjusting Wheel Drive .....	14
Inspecting/Removing/Sharpening Blade .....	14
Lubrication .....	16
Lubricating Gear Case .....	16
Adjusting Blade Brake Cable .....	16
Cleaning Mower .....	17
Cleaning Blade Brake Clutch Shield .....	18
Servicing Wheels (Fig. 31) .....	18
Storage .....	19
Accessories .....	19
Federal Emission Control Warranty Statement .....	21
Warranty .....	23

# Introduction

Thank you for purchasing a Toro product.

All of us at Toro want you to be completely satisfied with your new product, so feel free to contact your local Authorized Service Dealer for help with service, genuine Toro parts, or other information you may require.

Whenever you contact your Authorized Service Dealer or the factory, always know the model and serial numbers of your product. These numbers will help the Service Dealer or Service Representative provide exact information about your specific product. You will find the model and serial number decal located in a unique place on the product (Fig. 1).



m-3822

**Figure 1**

1. Model and serial number decal

For your convenience, write the product model and serial numbers in the space below.

<p><b>Model No:</b> _____</p> <p><b>Serial No.</b> _____</p>
--

Read this manual carefully to learn how to operate and maintain your product correctly. Reading this manual will help you and others avoid personal injury and damage to the product. Although Toro designs, produces and markets safe, state-of-the-art products, you are responsible for using the product properly and safely. You are also responsible for training persons who you allow to use the product about safe operation.

The Toro warning system in this manual identifies potential hazards and has special safety messages that help you and others avoid personal injury, even death.

DANGER, WARNING and CAUTION are signal words used to identify the level of hazard. However, regardless of the hazard, be extremely careful.

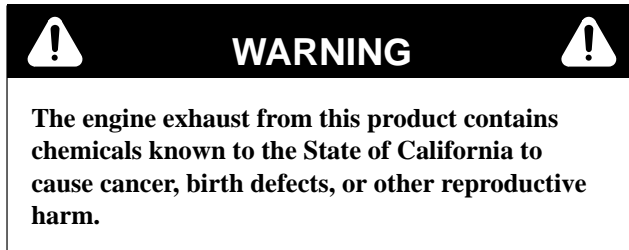
**DANGER** signals an extreme hazard that will cause serious injury or death if the recommended precautions are not followed.

**WARNING** signals a hazard that may cause serious injury or death if the recommended precautions are not followed.


**CAUTION** signals a hazard that may cause minor or moderate injury if the recommended precautions are not followed.

Two other words are also used to highlight information. “Important” calls attention to special mechanical information and “Note” emphasizes general information worthy of special attention.

The left and right side of the machine is determined by standing behind the handle in the normal operator’s position.



## Safety

This mower meets or exceeds CPSC blade safety requirements for walk behind rotary mowers and the B71.4–1990 specifications of the American National Standards Institute. However, improper use or maintenance by the operator or owner can result in injury. To reduce the potential for injury, comply with these safety instructions and always pay attention to the safety alert symbol  which means CAUTION, WARNING and DANGER. Failure to comply with these instructions may result in personal injury.

## Safe Operating Practices

This product is capable of amputating hands and feet and throwing objects. Always follow all safety instructions to avoid serious injury or death.

This mower is designed for cutting and recutting grass or, when equipped with a grass bag, for catching cut grass. Any use for purposes other than these could prove dangerous to user or bystanders.

## General Operation

1. Read this manual carefully before operating the mower. Become familiar with the controls and proper use of the mower. Never allow children to operate the mower or adults to operate it without proper instructions.
2. Keep everyone, especially children and pets, away from area of operation. Thoroughly inspect area where mower will be used and remove sticks, stones, wire, and debris.
3. Wear long pants and substantial shoes. Do not operate mower while wearing open-toed shoes, jewelry, loose clothing or when barefoot.
4. Always wear safety glasses or eye shields during operation to protect eyes from foreign objects that may be thrown from the machine. Wearing of hearing protection, protective gloves and a safety helmet is advisable and may be required by local regulations.
5. Check fuel level before starting engine. Because fuel is highly flammable, handle it carefully.
  - A. Use an approved container.
  - B. Fill fuel tank outdoors, not indoors. **NEVER ADD FUEL TO AN ENGINE THAT IS RUNNING OR HOT.**
  - C. Install gas cap on fuel container and gas tank, and wipe up any spilled gasoline before starting engine.
6. Keep all guards, shields, safety devices, grass catcher, discharge tunnel plug or optional discharge chute in place. Repair or replace damaged or missing parts, including decals. Check all safety devices before each use.
7. Blade and traction drive are designed to stop when the control bar is released. Ensure control bar functions properly before and during each use of mower.

## While Operating

1. Do not run engine indoors.
2. Always maintain secure footing. Keep a firm grip on the handle and walk; never run. Never operate mower in wet grass. Mow only in daylight or in good artificial light.
3. Mow across the face of slopes; never up and down. Use extreme caution when changing direction on slopes. Do not mow excessively steep slopes.
4. Keep face, hands, and feet away from the mower housing and cutter blade when the engine is running. Stay behind the handle until the engine stops and keep clear of discharge opening at all times.

5. When bagging grass, stop engine and ensure discharge door is closed before removing and emptying bag.
6. Stop the engine and wait for all moving parts to stop before unclogging discharge tunnel, removing grass bag or discharge tunnel plug. Use a stick, not your hand, to unclog discharge tunnel. Never attempt to unclog the tunnel with the engine running.
7. Since the blade rotates for a few seconds after releasing the blade control bar, stay behind the handle until all moving parts stop.
8. After striking a foreign object or if mower vibrates abnormally, stop engine and remove wire from spark plug. Check mower for damage and make all repairs before using mower again.
9. Stop the engine and wait for all moving parts to stop before adjusting the height-of-cut.
10. Stop the blade when crossing a gravel driveway, road or sidewalk.
11. Stop engine before leaving the operator's position—behind the handle. Disconnect wire from spark plug if mower will be unattended or not used.
12. Do not touch engine while it is running or shortly after it is stopped because engine will be hot enough to cause a burn.
13. Refuel only when engine is cool.

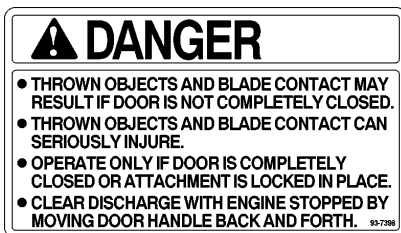
## Maintenance and Storage

1. Perform only those maintenance instructions described in this manual. If major repairs are ever needed or if assistance is desired, contact your local Authorized TORO Service Dealer.
2. Before mower is cleaned, inspected, serviced, or adjusted, stop engine and disconnect wire from spark plug. Keep wire away from plug to prevent accidental starting.
3. To ensure the mower is in safe operating condition, frequently check and keep all nuts, bolts, and screws tight. Ensure blade nuts are tightened to 15–27 ft–lb (20–37 N·m).
4. To reduce fire hazard, keep engine free of excessive grease, grass, leaves, and accumulation of dirt.
5. Check grass catcher bag frequently for wear or deterioration. Replace with a new bag for your protection. Check that replacement bags comply with original TORO recommendations or specifications.
6. Allow engine to cool before storing mower in any enclosure. Do not store mower near any open flame or where gasoline fumes may be ignited by a spark.
7. Do not overspeed the engine by changing governor settings.
8. At the time of manufacture, the mower conformed to the safety standards in effect for rotary mowers. To ensure best performance and continued safety certification of the mower, use genuine TORO replacement parts and accessories. Replacement parts and accessories made by other manufacturers may result in non-conformance with the safety standards, and that could be dangerous.

## Safety and Instruction Decals



Safety decals and instructions are easily visible to the operator and are located near any area of potential danger. Replace any decal that is damaged or lost.



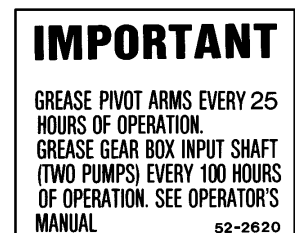
ON DISCHARGE TUNNEL



ON ENGINE  
(Part No. 62–7600)



ON MOWER HOUSING  
(Part No. 43–8480)



ON BELT COVER  
(Part No. 52–2620)

CHOKE 



OFF 

**WARNING**

READ YOUR OPERATOR'S MANUAL FOR OPERATING AND SAFETY INSTRUCTIONS. TO GET A REPLACEMENT MANUAL, SEND MODEL AND SERIAL NUMBERS TO: THE TORO CO., 8111 LYNDALE AVE. S., BLOOMINGTON, MN. 55420-1195

**OPERATING INSTRUCTIONS**

TO START: MOVE THROTTLE TO CHOKE, PULL ROPE.  
 WHEN ENGINE STARTS, MOVE THROTTLE TO FAST.  
 TO ENGAGE BLADE: MOVE CONTROL BAR TO RIGHT AND LIFT TO MIDDLE POSITION.  
 TO DRIVE MOWER: SQUEEZE CONTROL BAR FORWARD.  
 TO STOP BLADE OR STOP DRIVE: RELEASE CONTROL BAR.  
 TO STOP ENGINE: MOVE THROTTLE TO OFF.



③ DRIVE  
MIDDLE POSITION  
② BLADE  
①

**ON CONTROL PANEL**  
(Part No. 85-6730)

  
**DANGER**













KEEP BYSTANDERS FROM AREA BEING MOWED.  
 STOP ENGINE BEFORE LEAVING OPERATOR POSITION.  
 KEEP ALL GUARDS IN PLACE.

63-9060

**ON REAR OF CONTROL PANEL**  
(Part No. 63-9060)

# Assembly

## Handle (Fig. 2)

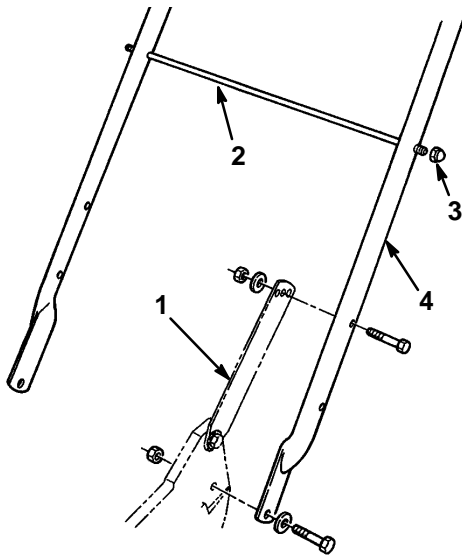
1. Mount handle to outside of mower housing, using bottom hole, with (2) 5/16-18 x 1-1/4" lg. capscrews, washers, and thin nylon insert locknuts.
2. Secure handle latches to handle with (2) 5/16-18 x 1-1/2" lg. capscrews, washers and nylon insert locknuts. Position locknuts and washers on inside of handle.

**Note:** Handle height is adjustable for operator comfort. Stand behind mower handle to gauge height. To adjust handle height, reposition capscrews and locknuts securing handle latches to handle into other mounting holes in latches.

3. Slide bag support rod thru **top** mounting holes in handle and secure each end with a cap locknut.
4. Use a cable tie to secure the control cables to left handle below the bag support rod.

## Gas Tank and Fuel Line

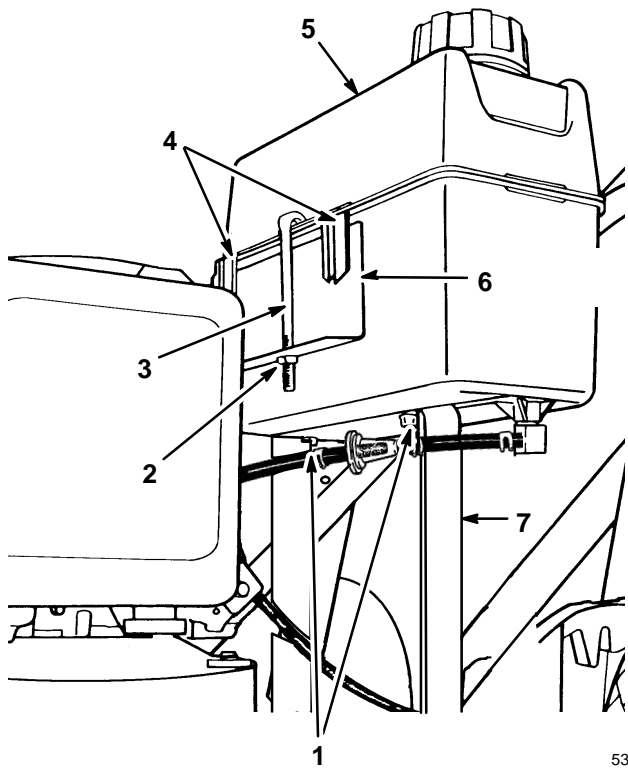
1. Start self-tapping screws into bottom of gas tank and then remove screws.
2. Hook plastic clips on front of gas tank onto gas tank bracket (Fig. 3).
3. Secure gas tank to tank base with the (2) self-tapping screws (Fig. 3). Do not overtighten screws.



**Figure 2**

- |                    |                |
|--------------------|----------------|
| 1. Handle latch    | 3. Cap locknut |
| 2. Bag support rod | 4. Handle      |

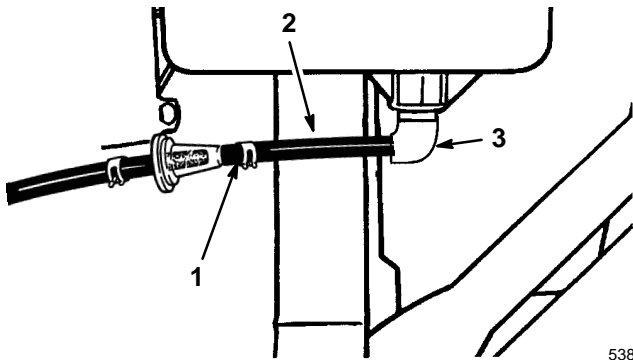
534



**Figure 3**

- |                        |                     |
|------------------------|---------------------|
| 1. Self-tapping screws | 5. Gas tank         |
| 2. Locknut             | 6. Gas tank bracket |
| 3. Gas tank retainer   | 7. Tank base        |
| 4. Plastic clips       |                     |

- Hook gas tank retainer onto rear of gas tank and slide end of retainer into hole in tank bracket. Secure retainer to tank bracket with locknut (Fig. 3). Do not overtighten locknut.
- Remove red cap from end of fuel line and from end of elbow fitting on gas tank. Slide end of fuel line onto elbow fitting (Fig. 4). Secure fuel line in place with fuel line clamp.

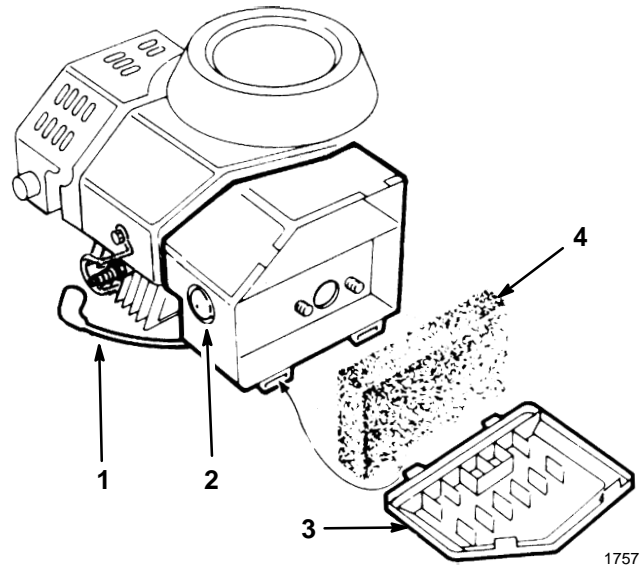


**Figure 4**

- |                    |                  |
|--------------------|------------------|
| 1. Fuel line clamp | 3. Elbow fitting |
| 2. Fuel line       |                  |

## Air Cleaner Cover

- Insert bottom tabs of air cleaner cover into slots. Rotate cover upwards and snap into place (Fig. 5).

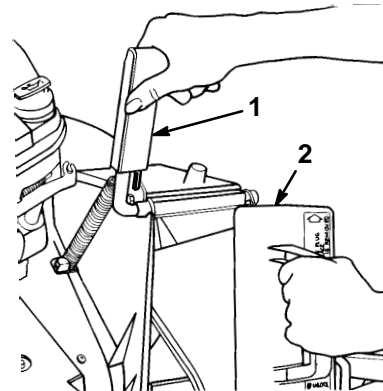


**Figure 5**

- |                    |                 |
|--------------------|-----------------|
| 1. Spark plug wire | 3. cover        |
| 2. Primer          | 4. Foam element |

## Discharge Tunnel Plug

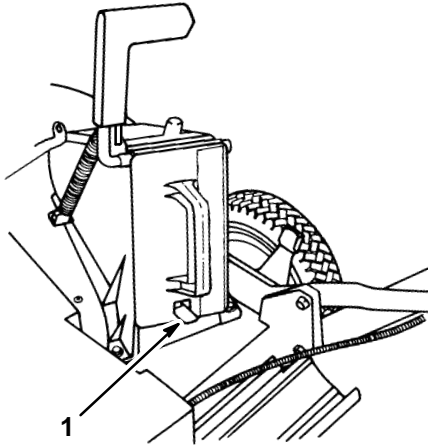
- Open the discharge door by pulling forward on the handle and moving it rearwards (Fig. 6). Hold the discharge door handle to prevent the spring-loaded door from closing while inserting the plug.
- Since the plug is slightly wider than the discharge tunnel opening, rotate the plug clockwise slightly while inserting it (Fig. 6). Make sure the arrow on the plug decal is pointing upwards.



**Figure 6**

- |                          |                           |
|--------------------------|---------------------------|
| 1. Discharge door handle | 2. Plug rotated clockwise |
|--------------------------|---------------------------|

3. Push the plug all the way in until the spring clip on the bottom of the plug clicks into place, locking the plug securely into the discharge tunnel (Fig. 7). Release discharge door handle to lock top of plug.



m-1915

Figure 7

1. Spring clip

## Before Starting

! **DANGER** !

**POTENTIAL HAZARD**

- In certain conditions gasoline is extremely flammable and highly explosive.

**WHAT CAN HAPPEN**

- A fire or explosion from gasoline can burn you, others, and cause property damage.

**HOW TO AVOID THE HAZARD**

- Use a funnel and fill the fuel tank outdoors, in an open area, when the engine is cold. Wipe up any gasoline that spills.
- Do not fill the fuel tank completely full. Add gasoline to the fuel tank until the level is 1/4" to 1/2" (6 mm to 13 mm) below the bottom of the filler neck. This empty space in the tank allows gasoline to expand.
- Never smoke when handling gasoline, and stay away from an open flame or where gasoline fumes may be ignited by a spark.
- Store gasoline in an approved container and keep it out of the reach of children.
- Never buy more than a 30-day supply of gasoline.

! **DANGER** !

**POTENTIAL HAZARD**

- When fueling, under certain circumstances, a static charge can develop, igniting the gasoline.

**WHAT CAN HAPPEN**

- A fire or explosion from gasoline can burn you and others and cause property damage.

**HOW TO AVOID THE HAZARD**

- Always place gasoline containers on the ground away from your vehicle before filling.
- Do not fill gasoline containers inside a vehicle or on a truck or trailer bed because interior carpets or plastic truck bed liners may insulate the container and slow the loss of any static charge.
- When practical, remove gas-powered equipment from the truck or trailer and refuel the equipment with its wheels on the ground.
- If this is not possible, then refuel such equipment on a truck or trailer from a portable container, rather than from a gasoline dispenser nozzle.
- If a gasoline dispenser nozzle must be used, keep the nozzle in contact with the rim of the fuel tank or container opening at all times until fueling is complete.

## Mix Gasoline and Oil—50:1 Ratio

**APPROVED OIL**—For simplicity and best engine performance, mix the contents of one bottle of Toro 50:1 Two-Cycle Oil with two gallons of fresh, unleaded regular gasoline. Leaded regular gasoline may be used if unleaded regular is not available.

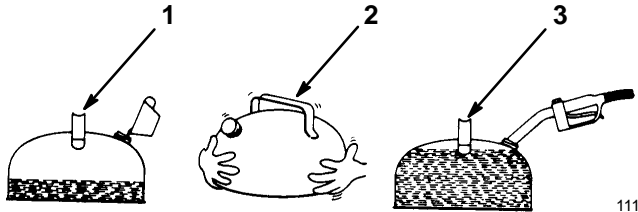
Toro Two-Cycle Oil is specially formulated to provide superior lubrication, make starting easy, and prolong engine life. If Toro Two-Cycle Oil is not available, mix two gallons of gasoline and 5.2 ounces of another high grade two-cycle oil that has the NMMA or BIA-TCW certification printed on the label.

**IMPORTANT: YOU CAN ALSO USE TORO "EASY-MIX" TWO-CYCLE OIL (3.2 OUNCE BOTTLE MIXED ONE PER GALLON OF GASOLINE: this is a 40:1 ratio) IN THIS TORO TWO-CYCLE ENGINE.**

**NEVER USE AUTOMOTIVE OIL (i.e. SAE 30, 10W30 etc.), TWO-CYCLE OIL THAT IS NOT CERTIFIED NMMA/BIA-TCW, OR THE WRONG MIX RATIO BECAUSE THE ENGINE CAN BE DAMAGED, AND IT WOULD NOT BE COVERED BY THE TORO WARRANTY.**

Toro also recommends that Toro Stabilizer/Conditioner be used regularly in all Toro gasoline powered products during operation and storage seasons. Toro Stabilizer/Conditioner cleans the engine during operation and prevents gum-like varnish deposits from forming in the engine during periods of storage.

1. **Mixing Gasoline and Oil (Fig. 8)**—Pour correct amount of two-cycle oil into an approved gasoline container and add a half gallon of gasoline. Install cap on gasoline container and shake the container to mix oil and gas thoroughly. Remove cap and add remaining amount of gasoline.



**Figure 8**

1. Add oil to small amount of gasoline
2. Install cap and shake can to mix
3. Add remaining amount of gasoline

**IMPORTANT: NEVER USE METHANOL, GASOLINE CONTAINING METHANOL, GASOHOL CONTAINING MORE THAN 10% ETHANOL, PREMIUM GASOLINE, OR WHITE GAS BECAUSE ENGINE FUEL SYSTEM DAMAGE COULD RESULT.**

**DO NOT USE FUEL ADDITIVES OTHER THAN THOSE MANUFACTURED FOR FUEL STABILIZATION DURING STORAGE SUCH AS TORO'S STABILIZER/CONDITIONER OR A SIMILAR PRODUCT. TORO'S STABILIZER/CONDITIONER IS A PETROLEUM DISTILLATE BASED CONDITIONER/STABILIZER. TORO DOES NOT RECOMMEND STABILIZERS WITH AN ALCOHOL BASE SUCH AS ETHANOL, METHANOL OR ISOPROPYL. ADDITIVES SHOULD NOT BE USED TO TRY TO ENHANCE THE POWER OR PERFORMANCE OF MACHINE.**

**Note:** Do not mix gasoline and oil in the product fuel tank. Oil that is at room temperature mixes easier and more thoroughly than cold oil.

#### 50:1 Gas/Oil Mixing Chart

U.S. GALLON	
Gasoline	Oil
1 gallon	2.6 oz.
2 gallons	5.2 oz.

# Recycling Tips

## General Tips

Follow these instructions whether cutting grass or leaves for the best cutting results and lawn appearance:

- Maintain a **sharp blade** throughout the cutting season. Periodically file down nicks on blade.
- **Only mow dry grass or leaves.** Wet grass and leaves tend to clump on yard and may cause mower to plug or engine to stall. They also may be slippery to walk on and could cause you to slip and fall.

! **WARNING** !

**POTENTIAL HAZARD**

- **Wet grass or leaves can cause you to slip and contact blade.**

**WHAT CAN HAPPEN**

- **Blade contact can seriously injure you.**

**HOW TO AVOID THE HAZARD**

- **Mow only in dry conditions.**

- Set engine speed to fastest position. Maximum horsepower provides best cutting results.
- Clean clippings or leaves from underside of mower deck after each mowing.
- Keep engine in good running condition. Cutting and recutting requires more horsepower.
- Clean air filter more frequently. Cutting and recutting stirs up more clippings and dust which clogs the air filter and reduces engine performance.

## Cutting Grass

- Grass grows at different rates at different times of the year. In the heat of the summer, it is generally best to cut grass at the 1-3/4", 2-1/4" or 2-3/4" height-of-cut settings (Fig. 9). Only about 1/3 of the grass blade should be cut off. Cutting below the 1-3/4" setting is not recommended unless grass is sparse or it is late fall when grass growth begins to slow down.
- When cutting grass over six inches tall, you may want to first mow using the highest height-of-cut setting and a slower walking speed; then mow again at a lower setting for best lawn appearance. If grass is too long and leaves clumps on top of lawn, mower may plug and cause engine to stall.
- Alternate mowing direction. This helps disperse clippings over lawn for even fertilization.

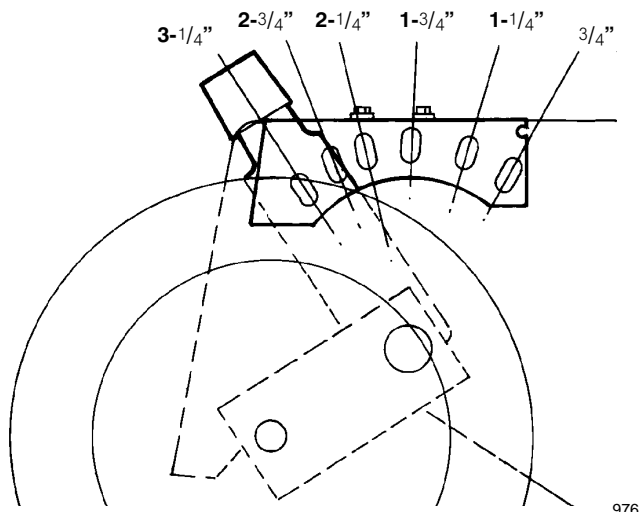


Figure 9

976

If the finished cut lawn appearance is unsatisfactory, try one or more of the following:

- Sharpen the blade.
- Walk at a slower pace while mowing.
- Raise the height-of-cut setting on your mower.
- Cut grass more frequently.
- Overlap cutting swaths instead of cutting a full swath with each pass.
- Mow across the marginal areas a second time.
- Set height-of-cut on front wheels one notch lower than rear wheels. (example: set front wheels at 1-3/4" setting and rear wheels at 2-1/4" setting)

## Cutting Leaves

- When cutting is complete, always be sure that 50% of the lawn shows through the cut leaf cover. This may require one or more passes over the leaves.
- For light leaf coverage, position all wheels at the same height-of-cut setting.
- If there are more than five inches of leaves on lawn, set the front wheels one or two notches higher than the rear wheels. This makes it easier to feed leaves under mower deck.
- Walk at a slower mowing speed if leaves are not being cut up finely enough to be hidden down in the grass.
- If you cut up a lot of oak leaves, you might want to add lime to your grass in the spring. Lime reduces the acidity of oak leaves.

# Operation

## Operating Tips

1. **BEFORE EACH MOWING**—Be sure blade brake, self-propelled drive, and control bar function properly. When control bar is released, blade and self-propelled drive are designed to stop. If controls are not functioning properly, do not use mower until controls are repaired.
2. **SHARP BLADE**—Begin each cutting season with a sharp blade. Periodically file down nicks.

## Starting, Stopping, and Self-propelling

1. **CONTROLS**—Throttle control and blade/self-propelled control bar are on upper handle (Fig. 10). Ground speed control is located at rear of belt cover (Fig. 11).

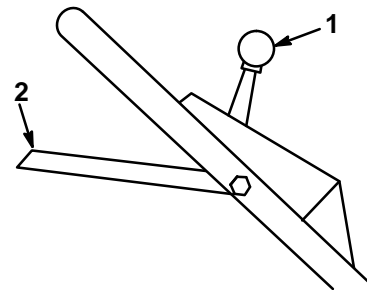


Figure 10

512

1. Throttle control
2. Blade/self-propelled control bar

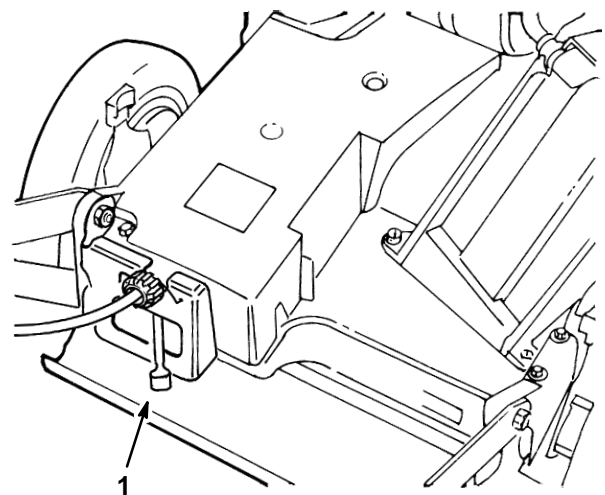




Figure 11

224

1. Ground speed control

2. Push spark plug wire onto spark plug.
3. **STARTING**—Move ground speed control to neutral and throttle to  (CHOKE). Cover hole in center of primer with thumb and push once. With your foot on the mower housing, pull the recoil starter out until resistance is felt; then pull vigorously to start the engine. Regulate throttle as desired when engine starts.

**Note:** When starting a warm engine,  (CHOKE) may not be necessary.

4. **BLADE AND TRACTION OPERATION** (Fig. 12)—When control bar is in position “A”, slide control bar to right and raise to position “B” to engage blade. Squeeze control bar against handle to position “C” to drive. To disengage traction drive but keep blade engaged, gradually release control bar to position “B”. To self-propel with blade disengaged, simply squeeze control bar against handle to position “C”, without sliding control bar to right.

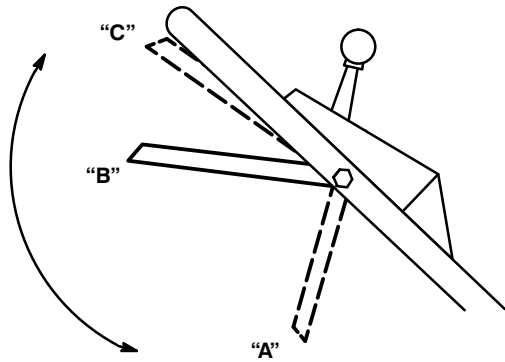



Figure 12

512

5. **STOPPING**—To stop engine, release control bar and move throttle to  (OFF). Pull wire off spark plug if mower will be unattended or not used.

## Using Discharge Tunnel Plug

1. Make sure engine is off. Open the discharge door by pulling forward on the handle and moving it rearwards (Fig. 6). Hold the discharge door handle to prevent the spring-loaded door from closing while inserting the plug.
2. Since the plug is slightly wider than the discharge tunnel opening, you must rotate the plug clockwise slightly while inserting it (Fig. 6). Make sure the arrow on the plug decal is pointing upwards.

3. Push the plug all the way in until the spring clip on the bottom of the plug clicks into place, locking the plug securely into the discharge tunnel (Fig. 7). Release the discharge door handle to lock the top of the plug.
4. To remove the plug, move the discharge door handle rearwards while at the same time lift up the spring clip on the bottom of the plug. When the plug is unlocked, pull it out of the discharge tunnel.

**Note:** When grass is thick and lush, clippings may collect on and around the discharge tunnel plug. This may make plug removal difficult. Clean plug thoroughly after each use. Refer to Cleaning Mower Housing, Discharge Tunnel, Belt Cover, and Discharge Tunnel Plug, page 17.

## Using Grass Bag

Occasionally you may wish to use the grass bag for bagging extra long grass, lush grass or leaves.

1. Stop engine and wait for all moving parts to stop.
2. Ensure chute door handle is fully forward and pin is engaged in catch (Fig. 13).
3. **INSTALLING BAG**—Slide hole in bag frame onto retaining post on discharge tunnel (Fig. 13). Set rear of bag frame onto support rod.

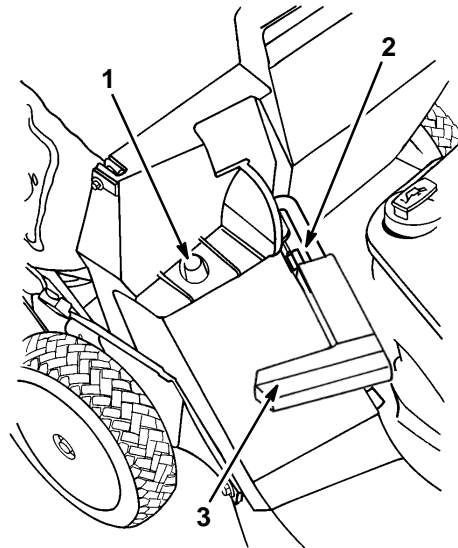
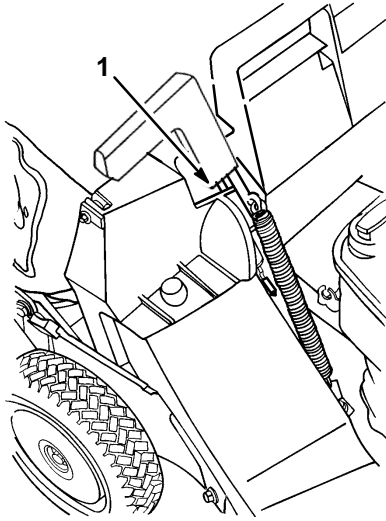


Figure 13

m-1912

1. Bag frame on retaining post
2. Pin engaged in catch
3. Handle fully forward. Discharge door closed.

4. Pull discharge door handle forward until pin clears catch and move handle rearward until pin locks in bag notch (Fig. 14). Discharge door in mower housing is now open.



m-1913

**Figure 14**

1. Pin locked in bag notch

! **DANGER** !

**POTENTIAL HAZARD**

- Grass clippings and other objects can be thrown from an open discharge tunnel.

**WHAT CAN HAPPEN**

- Objects thrown with enough force could cause serious personal injury or death to operator or bystander.

**HOW TO AVOID THE HAZARD**

- Never open door on discharge tunnel when engine is running unless the grass bag, optional side discharge attachment or discharge tunnel plug is securely installed.

! **DANGER** !

**POTENTIAL HAZARD**

- A worn grass bag could allow small stones and other similar debris to be thrown in operator's or bystander's direction.

**WHAT CAN HAPPEN**

- Thrown objects can cause serious personal injury or death to operator or bystanders.

**HOW TO AVOID THE HAZARD**

- Check the grass bag frequently. If it is damaged, install a new genuine TORO replacement bag.

! **DANGER** !

**POTENTIAL HAZARD**

- Thrown objects may result if discharge door does not close completely.

**WHAT CAN HAPPEN**

- Thrown objects can cause serious personal injury or death.

**HOW TO AVOID THE HAZARD**

- If discharge door cannot be closed because grass clippings clog discharge area, stop engine and gently move discharge door handle back and forth until door can be closed completely. If door still cannot be closed, remove obstruction with a stick, not your hand.

5. EMPTYING BAG—Stop engine and wait for all moving parts to stop. Raise discharge door handle and move it forward to engage the locking pin with the catch (Fig. 13). Grasp handles at front and rear of bag and lift bag off mower. Gradually tip bag forward to empty clippings.
6. To reinstall bag, repeat steps 3-4.

## Adjusting Height-of-cut

The height-of-cut is adjustable from approximately  $\frac{3}{4}$  to  $3\text{-}\frac{1}{4}$  inches (19 mm to 83 mm), in  $\frac{1}{2}$  inch (12.7 mm) increments (Fig. 9). Moving height-of-cut adjuster forward raises height-of-cut.

! **DANGER** !

**POTENTIAL HAZARD**

- Adjusting height-of-cut levers could bring hands into contact with moving blade.

**WHAT CAN HAPPEN**

- Contact with blade could cause serious personal injury.

**HOW TO AVOID THE HAZARD**

- Stop engine and wait for all moving parts to stop before changing height-of-cut.
- Do not put fingers under housing to lift mower when adjusting height-of-cut levers.

1. Stop the engine and wait for all moving parts to stop.
2. For easier adjustment, lift housing up so wheel is off ground. **Do not place hands under deck to lift housing.** Squeeze adjusting lever toward wheel (Fig. 15) and move it to the desired setting. Assure pin on adjusting lever engages notch in mower housing wear plate. Adjust all wheels to the same setting.

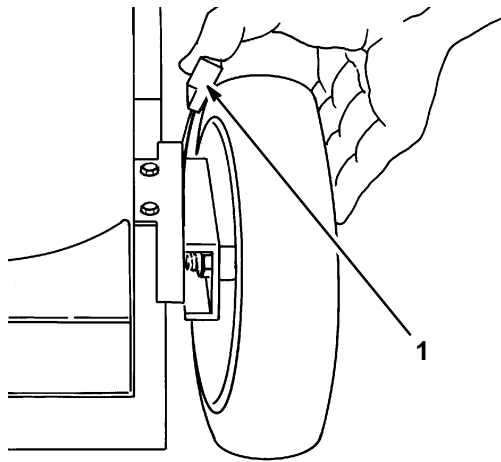


Figure 15

1. Height-of-cut adjuster

225

## Maintenance

**NOTICE:** Maintenance, replacement or repair of the emission control devices and systems may be performed by any nonroad engine repair establishment or individual. However, to obtain no charge repairs under the terms and provisions of the Toro warranty statement, any service or emission control part repair or replacement must be performed by an Authorized Toro Service Dealer.

	WARNING	
<b>POTENTIAL HAZARD</b>		
<ul style="list-style-type: none"> <li>• When wire is on spark plug, someone could accidentally start the engine.</li> </ul>		
<b>WHAT CAN HAPPEN</b>		
<ul style="list-style-type: none"> <li>• Accidental starting of engine could cause serious injury to operator or bystanders.</li> </ul>		
<b>HOW TO AVOID THE HAZARD</b>		
<ul style="list-style-type: none"> <li>• Pull wire off spark plug before performing any maintenance or adjustments.</li> </ul>		

## Servicing Air Cleaner

Normally, clean air cleaner after every 25 operating hours. More frequent cleaning is required when mower is operated in dusty or dirty conditions.

1. Stop engine and pull wire off spark plug (Fig. 5).
2. Lift tabs at top of air cleaner cover and pivot cover down. Clean cover thoroughly.

3. If outside of foam element is dirty, remove it from air cleaner body. Clean thoroughly.
  - A. WASH foam element in a solution of liquid soap and warm water. Squeeze to remove dirt, but do not twist because foam may tear. Rinse thoroughly in clear water.
  - B. DRY by wrapping in a clean rag. Squeeze rag and foam element to dry.
  - C. SATURATE element with engine oil. Squeeze element to remove excess oil and to distribute oil thoroughly. A damp element is desirable.
4. Reinstall foam element and air cleaner cover.

**IMPORTANT:** Do not operate engine without air cleaner element because extreme engine wear and damage will likely result.

## Replacing Spark Plug

Use an NGK BPMR4A spark plug or equivalent. Correct air gap is 0.032" (0.81 mm). Remove plug after every 25 operating hours and check its condition.

1. Stop engine and pull wire off spark plug (Fig. 5).
2. Clean around spark plug and remove plug from cylinder head.

**IMPORTANT:** Replace a cracked, fouled, or dirty spark plug. Do not sand blast, scrape, or clean electrodes because engine damage could result from grit entering cylinder.

3. Set air gap at 0.032" (0.81 mm) (Fig. 16). Install correctly gapped spark plug and gasket seal. Tighten plug firmly to 10 ft-lb (13.6 N-m).

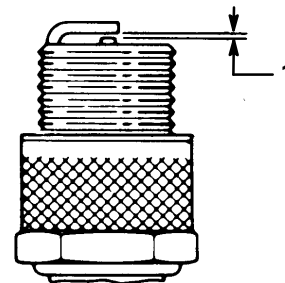


Figure 16

1. .032 in. (.813 mm)

110

## Draining Gasoline

1. Stop engine and pull wire off spark plug (Fig. 5).


**Note:** Drain gasoline from a cold engine only.

- Remove cap from fuel tank and use pump-type syphon to drain fuel into clean gas can.

**Note:** This is the only procedure recommended for draining fuel.

## Adjusting Throttle

Throttle control adjustment may be required if engine does not start. Whenever a new throttle control cable is installed, throttle must be adjusted.

- Stop engine and pull wire off spark plug (Fig. 5).
- Move throttle control to  (FAST) position.
- Loosen cable clamp screw until throttle cable slides (Fig. 17).
- Check to see if holes in throttle bracket and choke lever are aligned (Fig. 17). If not, follow adjustment procedure in step 5.
- ADJUSTMENT**—A small diameter pin may be inserted into aligned holes to hold adjustment. Push throttle cable until throttle lever contacts choke lever (Fig. 17). Tighten cable clamp screw. Remove pin if used.

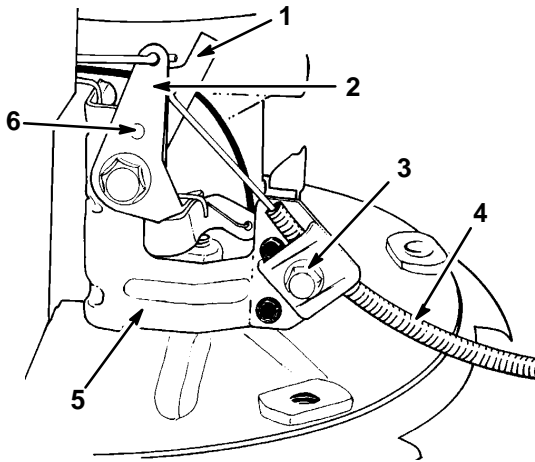


Figure 17

- |                      |                     |
|----------------------|---------------------|
| 1. Throttle lever    | 4. Throttle cable   |
| 2. Choke lever       | 5. Throttle bracket |
| 3. Cable clamp screw | 6. Aligned holes    |

## Cleaning Cooling System

After every 75 operating hours, clean dirt and chaff from cylinder, cylinder head fins and from around carburetor and linkage. Also remove debris from air intake slots on recoil housing. This will assure proper cooling and optimum engine performance.

## Cleaning Muffler and Exhaust Port

Clean end of muffler pipe and exhaust port after every 75 hours of operation.

! **CAUTION** !

**POTENTIAL HAZARD**

- Muffler and engine surface become hot when mower is in operation.

**WHAT CAN HAPPEN**

- Contact with hot muffler surface could cause a burn.

**HOW TO AVOID THE HAZARD**

- Clean muffler and exhaust port only after engine and muffler are cool.

- Stop engine and remove wire from spark plug.
- Use hard wood scraper and remove carbon from end of muffler pipe (Fig. 18).
- Remove screw, two nuts, and lock washers (Fig. 18). Slide muffler off mounting pins.

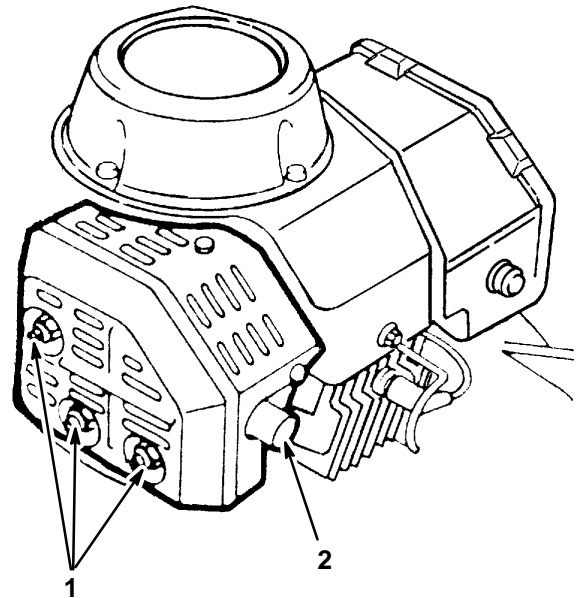


Figure 18

- |                             |                 |
|-----------------------------|-----------------|
| 1. Screw, nuts, lockwashers | 2. Muffler pipe |
|-----------------------------|-----------------|

- Slowly pull recoil starter so piston covers exhaust port (Fig. 19).
- Clean carbon from exhaust port (Fig. 19) with flat, hard wood scraper.

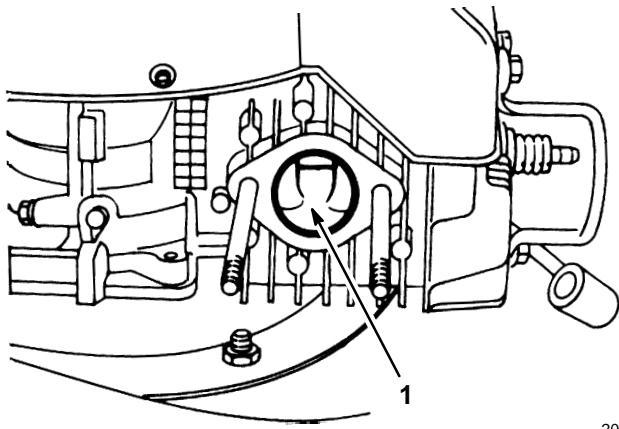


Figure 19

203

1. Exhaust port

**IMPORTANT:** Do not use a metal scraper or similar object to clean exhaust port because accidental damage to the piston or cylinder could easily occur.

6. Reinstall muffler with screw, (2) nuts and lock washers (Fig. 18). After cleaning exhaust port, make sure muffler gasket is still usable.

## Adjusting Wheel Drive

If mower does not self-propel or self-propels when control bar is **more** than 1 1/2 inches from the handle, adjust wheel drive control knob on rear of gear box.

1. Close door in mower housing and remove bag.
2. ADJUSTMENT (Fig. 20)—Rotate control knob clockwise 1/2 turn if mower does not self-propel. If mower creeps forward, rotate knob 1/2 turn counterclockwise to loosen belt.

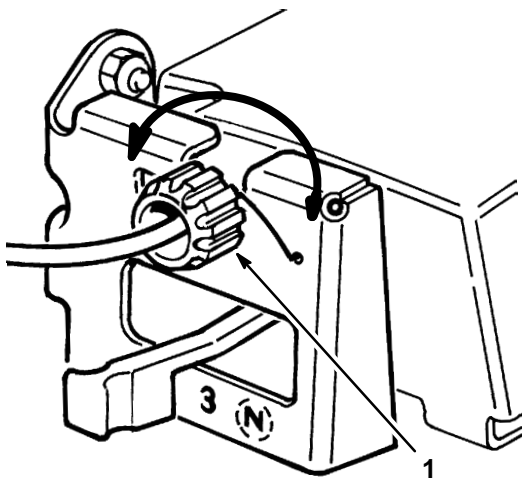


Figure 20

228

1. Control knob

3. CHECK ADJUSTMENT—Slowly pull mower backward while control bar is gradually moved toward handle. Adjustment is correct when rear wheels stop turning and control bar is about 1-inch from handle (Fig. 21).

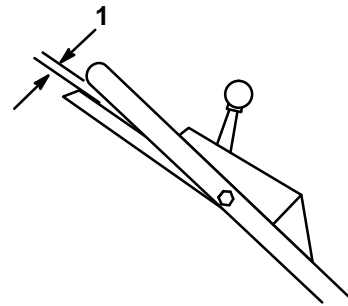


Figure 21

513

1. One inch

## Inspecting/Removing/Sharpening Blade

Always mow with a sharp blade. A sharp blade cuts cleanly and without tearing or shredding the grass blades like a dull blade.

1. Stop engine and wait for all moving parts to stop. Pull wire off spark plug (Fig. 5).
2. Drain gasoline from fuel tank; refer to Draining Gasoline, page 12.
3. Tip mower on its right side (Fig. 22).

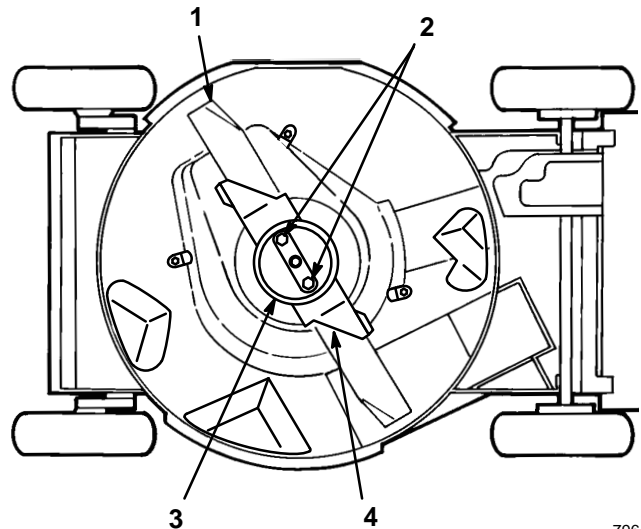


Figure 22

796

- |               |                   |
|---------------|-------------------|
| 1. Blade      | 3. Anti-scalp cup |
| 2. Blade nuts | 4. Accelerator    |

**CAUTION**

**POTENTIAL HAZARD**

- Engine could start accidentally.

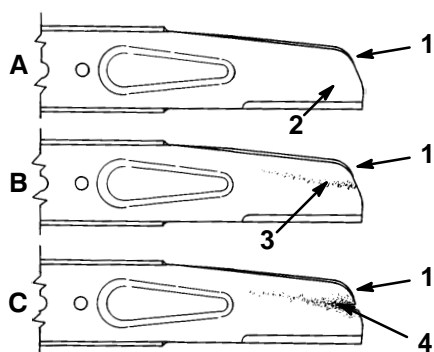
**WHAT CAN HAPPEN**

- Accidental starting of engine could cause serious injury to operator or bystanders.

**HOW TO AVOID THE HAZARD**

- Do not attempt to inspect, remove or replace blade without first removing the spark plug wire from spark plug and fastening it away from accidental contact with spark plug.

4. **INSPECTING BLADE**—Carefully examine blade for sharpness and wear, especially where flat and curved parts meet (Fig. 23A). Since sand and abrasive material can wear away the metal that connects the flat and curved parts of the blade, check blade before using the mower. If a slot or wear is noticed, (Fig. 23B & C), replace blade. Refer to step 5.



**Figure 23**

- |                       |                |
|-----------------------|----------------|
| 1. Sail               | 3. Wear        |
| 2. Flat part of blade | 4. Slot formed |

**Note:** For best performance, install new blade before cutting season begins. During the year, file down small nicks to maintain the cutting edge.

**DANGER**

**POTENTIAL HAZARD**

- A worn or damaged blade could break and a piece of blade could be thrown into operator's or bystander's area.

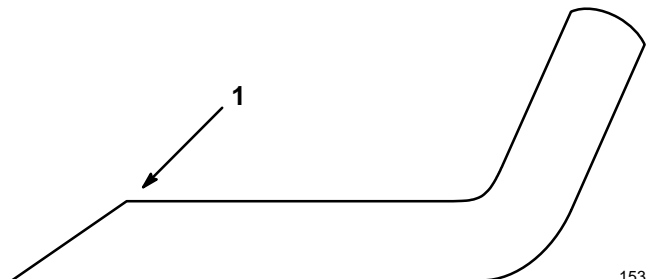
**WHAT CAN HAPPEN**

- A thrown piece of blade could cause serious personal injury or death to operator or bystanders.

**HOW TO AVOID THE HAZARD**

- Inspect blade periodically for wear or damage.
- Replace a worn or damaged blade.

5. **REMOVING BLADE**—Grasp end of blade using a rag or thickly padded glove. Remove blade nuts, anti-scalp cup, accelerator, and blade (Fig. 22).
6. **SHARPENING BLADE**—Using a file, sharpen top side of blade and maintain original cutting angle (Fig. 24). The blade will remain balanced if same amount of material is removed from both cutting edges.



**Figure 24**

1. Sharpen at this angle only

**IMPORTANT:** Check balance of blade by putting it on a blade balancer. An inexpensive balancer can be purchased at a hardware store. A balanced blade stays in a horizontal position and an unbalanced blade settles to the heavy side. If blade is not balanced, file more metal off cutting edge on heavy end of blade.

7. Reinstall sharp, balanced blade, accelerator, anti-scalp cup, and blade nuts. Sail part of blade must point toward top of mower housing to ensure correct installation. Tighten blade nuts to 15–27 ft-lb (20–37 N·m).

**WARNING**

**POTENTIAL HAZARD**

- Operating mower without accelerator in place could cause blade to flex, bend or break.

**WHAT CAN HAPPEN**

- A broken blade could cause serious injury or death to operator or bystanders.

**HOW TO AVOID THE HAZARD**

- Do not operate mower without accelerator.

## Lubrication

After every 25 operating hours or when season ends, pivot arms must be lubricated.

1. Move rear wheel height-of-cut levers to center setting. Wipe grease fittings with clean rag (Fig. 25). Install grease gun onto fitting and gently apply 2 or 3 pumps of #2 Multi-Purpose Lithium Base Grease. Excessive grease pressure may damage seals.

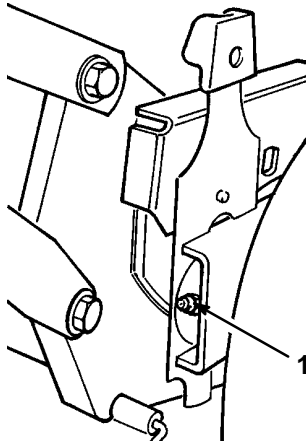


Figure 25

1. Grease fitting

232

## Adjusting Blade Brake Cable

Whenever a new blade brake cable assembly is installed or the blade brake belt is replaced, the blade brake cable should be adjusted.

1. Stop engine and wait for all moving parts to stop. Pull wire off spark plug (Fig. 5).
2. Loosen cable clamp screw until brake cable conduit slides (Fig. 27). Pull cable to remove slack, but do not put tension on spring. Tighten screw to lock adjustment in place.

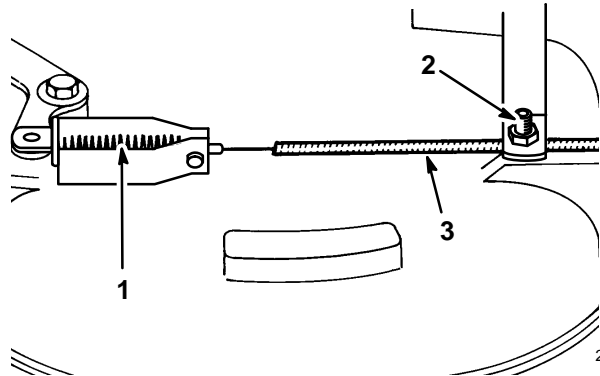


Figure 27

1. Spring
2. Cable clamp screw
3. Cable conduit

278

## Lubricating Gear Case

After every 100 operating hours, grease the gear case with #2 Multi-Purpose Lithium Base Grease.

1. Remove bag.
2. Install grease gun onto fitting thru belt cover opening (Fig. 26). Gently apply 1–2 pumps of grease.
3. Reinstall bag.

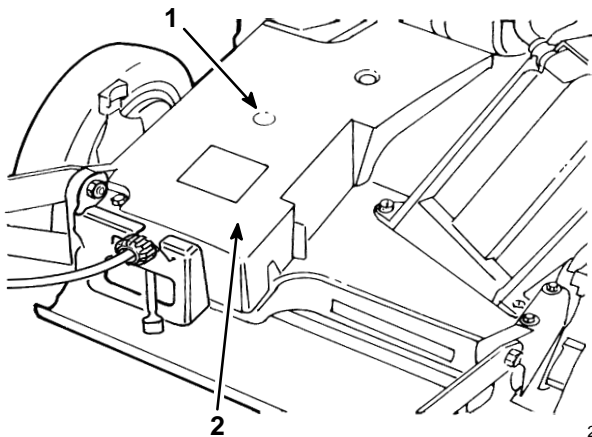




Figure 26

1. Grease fitting
2. Belt cover

224

**WARNING**

**POTENTIAL HAZARD**

- Do not over-tighten blade brake cable. Over-tightening could cause blade brake to be pulled off brake drum. If brake does not contact drum, blade will not stop rotating when control bar is released.

**WHAT CAN HAPPEN**

- A rotating blade could cause serious personal injury.

**HOW TO AVOID THE HAZARD**

- Each time brake cable is adjusted, ensure that the brake is stopping the blade in 3 seconds or less.
- If blade does not stop rotating in 3 seconds or less, bring unit to your local Authorized Toro Service Dealer for inspection and repair.

# Cleaning Mower

## Plug

To ensure best performance, the discharge tunnel plug must be cleaned after each use. When grass is thick and lush, clippings may collect on and around the plug; this may make plug removal difficult. After each use, remove plug from discharge tunnel and clean off all debris.

## Discharge Tunnel

Always be sure that discharge tunnel door closes securely when handle is released. If debris prevents discharge door from closing securely, clean inside of discharge tunnel and door thoroughly.

! **WARNING** !

**POTENTIAL HAZARD**

- Grass clippings and other objects can be thrown from an open discharge tunnel.

**WHAT CAN HAPPEN**

- Thrown objects can cause serious injury or kill operator or bystanders.

**HOW TO AVOID THE HAZARD**

- Never start or operate the mower unless one of the following is true:
  1. The discharge tunnel plug is locked securely in discharge tunnel.
  2. The grass bag is locked in place.
  3. The optional side discharge chute is locked in place.
  4. The discharge tunnel door is locked closed.

## Underside of Mower Housing

Keep underside of mower housing clean. Be especially careful to keep kickers free of debris (Fig. 28).

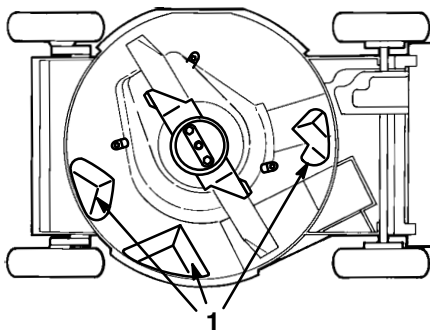


Figure 28

1. Kicker plates

## Washing Method

After every use, follow this procedure for washing debris out from the underside of the mower housing.

1. Position mower on a flat surface near a garden hose.
2. Start the engine.
3. Engage the blade.
4. Hold the running garden hose at handle level and direct water to flow on ground just in front of right rear tire (Fig. 29). The rotating blade will draw water under the housing and wash out clippings. Let the water run for a few minutes or until you no longer see clippings being washed out from under housing.

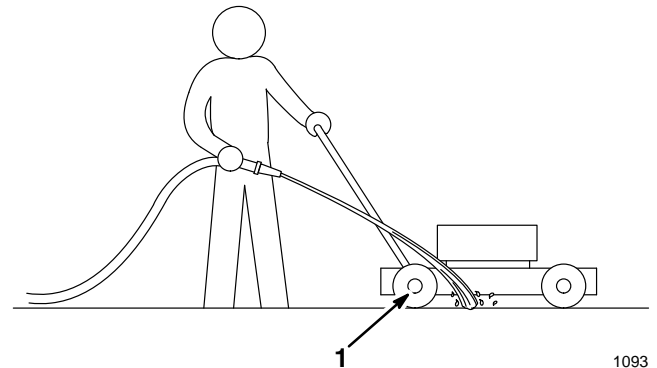


Figure 29

1. Right rear wheel
5. Disengage the blade.
6. Turn off the garden hose.
7. Restart mower and let it run for a few minutes to dry out moisture on the mower and its components. While the engine is running, engage and disengage the safety system and traction drive several times to dry them out.

## Scraping Method

If washing does not remove all debris from under deck, tip mower and scrape it clean.

1. Pull wire off spark plug. Remove key from switch on electric start models.
2. Drain gasoline from fuel tank: refer to Draining Gasoline, page 12.
3. Tip mower on its right side (Fig. 28).
4. Remove dirt and grass clippings with a hardwood scraper. Avoid burrs and sharp edges.
5. Turn mower upright.
6. Refill gas tank.
7. Reconnect spark plug wire.

## Belt Cover

Keep area under belt cover free of debris.

1. Remove bolts securing belt cover (Fig. 26) to mower housing. Lift off cover and brush out all debris from belt area. Reinstall belt cover.

## Cleaning Blade Brake Clutch Shield

The BBC (Blade Brake Clutch) shield should be cleaned periodically during the mowing season and at the end of each mowing season to ensure best performance and to prevent parts degradation. It is convenient to clean the BBC shield at the same time the blade is being sharpened because the blade needs to be removed in order to remove the BBC shield.

2. Stop engine and wait for all moving parts to stop. Pull wire off spark plug (Fig. 5).
3. Drain gasoline from fuel tank; refer to Draining Gasoline, page 12.
4. Tip mower on its right side.
5. Remove (2) blade nuts, anti-scalp cup, accelerator, and blade (Fig. 22).
6. Loosen tabs securing BBC shield to deck by loosening nuts or bolts on tabs (Fig. 30). Rotate tabs 180° to move them out of the way.

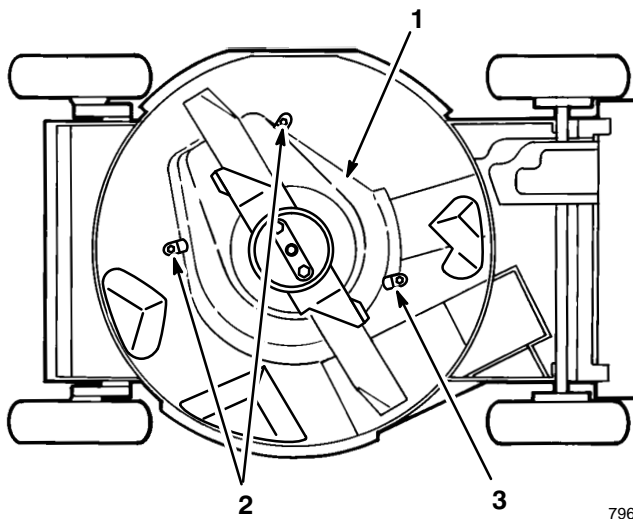


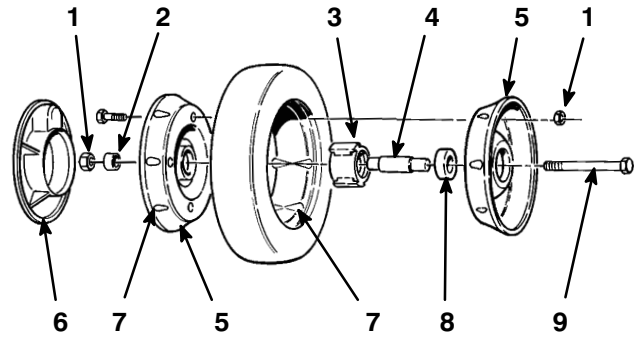
Figure 30

1. BBC shield
2. Tabs and nuts
3. Tab and bolt

7. Remove BBC shield and brush or blow all debris from under shield and around BBC system.

8. Reinstall BBC shield. Rotate tabs 180° back into position. Tighten nuts or bolts on tabs to secure BBC shield to deck.
9. Reinstall blade, accelerator, anti-scalp cup, and (2) blade nuts.
10. Turn mower upright.
11. Reinstall spark plug wire on spark plug.

## Servicing Wheels (Fig. 31)



296

Figure 31

- |                         |                                     |
|-------------------------|-------------------------------------|
| 1. Locknuts             | 6. Plastic cover (rear wheels only) |
| 2. Wheel spacer         | 7. Lug                              |
| 3. Bearing/hub assembly | 8. Bearing (2)                      |
| 4. Bearing spacer       | 9. Capscrew                         |
| 5. Wheel half           |                                     |

## Removal

1. Stop engine and wait for all moving parts to stop. Pull wire off spark plug (Fig. 5).
2. Remove capscrew, wheel spacer, and locknut mounting wheel to pivot arm.
3. Separate wheel halves from tire by removing (4) capscrews and locknuts.

**Note:** If bearings are to be removed from bearing/hub assembly, remove by pressing on bearing spacer.

## Assembly

1. Position tire onto (1) wheel half aligning lugs on each.
2. Place bearing/hub assembly into center hole of wheel half. Make sure legs of hub are positioned over flange of hole.
3. Place other wheel half onto bearing/hub assembly, aligning wheel and tire lugs and mounting holes.

4. Using (2) 1/4-20 x 1.50" lg. fully threaded screws or bolts and non-locking nuts, loosely secure wheel halves together. Mount screws or bolts in opposing holes.
5. Check alignment of all parts and tighten screws, alternating from side to side for a uniform fit, until wheel halves are drawn together.
6. Install (2) capscrews and locknuts, previously removed, in remaining holes in wheel halves and tighten. Remove (2) long screws or bolts and replace with (2) capscrews and locknuts.
7. Reinstall wheel to pivot arm with capscrews, spacer, and locknut. Make sure spacer is positioned between wheel hub and pivot arm.

## Storage

1. For long term storage, either drain gasoline from fuel tank or add a fuel stabilizer to the gasoline. To drain gasoline, refer to Draining Gasoline, page 12. After fuel is drained, start engine and let it idle until all fuel is consumed and engine stops. Repeat the starting procedure two more times to assure all gas is removed from the engine. If gasoline is not drained, gum-like varnish deposits will form and cause poor engine operation, even starting problems.

Fuel can be left in gas tank only if a fuel additive, such as Toro's Stabilizer/Conditioner, is added to gasoline and run through engine before storing. Toro's Stabilizer/Conditioner is a petroleum distillate based conditioner/stabilizer. Toro does not recommend stabilizers with an alcohol base, such as ethanol, methanol or isopropyl. Use fuel additive in recommended quantities as specified on container.

Under normal conditions, fuel additives remain effective in fuel for 6–8 months.

2. Remove spark plug and pour 2 teaspoons of Toro Two-Cycle oil into hole in cylinder. Pull starter rope slowly to coat inside of cylinder. Install spark plug and tighten to 10 ft–lb (13.6 N·m). **DO NOT INSTALL WIRE ON SPARK PLUG.**
3. Clean underside of housing: refer to Cleaning Mower, page 17.
4. Check condition of blade: refer to Inspecting/Removing/Sharpening Blade, page 14.
5. Tighten all nuts, bolts, and screws.
6. Clean dirt and chaff from cylinder, cylinder head fins, and blower housing. Also remove grass clippings, dirt, and grime from external parts of the engine, shrouding, and top of mower housing.
7. Clean BBC shield: refer to Cleaning Blade Brake Clutch Shield, page 18.

8. Clean air cleaner: refer to Servicing Air Cleaner, page 12.
9. Lubricate the pivot arms: refer to Lubrication, page 16.
10. Touch up all rusted or chipped paint surfaces. Toro Re-Kote paint is available from an Authorized TORO Service Dealer.
11. Store mower in a clean, dry place, out of the reach of children. Cover mower to keep it clean and protected.

## Accessories

For special conditions, the following accessories may be purchased at your local Authorized Toro Service Dealer.

1. **Side Discharge Kit, Model No. 59199**—Installs in seconds. Rear mounted in place of the grass bag or discharge tunnel plug. Disperses clippings while trimming on both sides (Fig. 32).

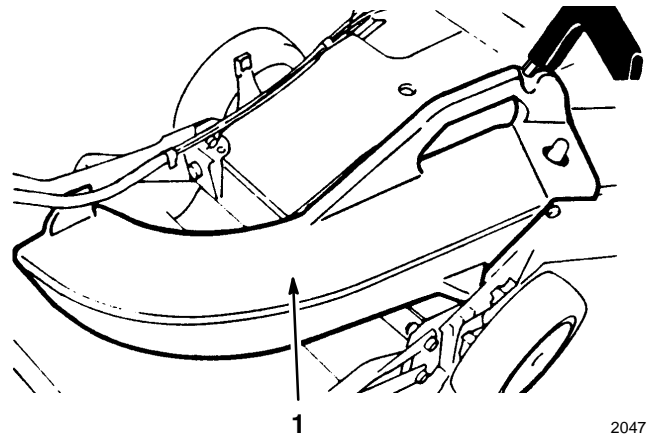


Figure 32

1. Side discharge chute

2. **Spark Arrestor (Part No. 81-0200)**—If a spark arrestor is required because of local, state, or federal regulations, it may be purchased at your local Authorized TORO Service Dealer. Clean screen after every 75 hours of operation. If mower is operated on any California forest, brush, or grass covered land without a properly operating spark arrestor, the operator is violating state law, Section 4442 Public Resources Code.



# Federal Emission Control Warranty Statement

A Two Year Limited Warranty

Your Warranty Rights and Obligations

The U.S. Environmental Protection Agency (EPA) and Toro are pleased to explain the emission control system warranty on your 1997 and later utility/lawn/garden equipment engine. 1997 and later model year utility/lawn/garden equipment engines must be designed, built and equipped, at the time of sale, to meet the U.S. EPA regulations for small nonroad engines. The equipment engine must be free from defects in materials and workmanship which cause it to fail to conform with U.S. EPA standards for the first two years of engine use from the date of sale to the ultimate purchaser. Toro must warrant the emission control system on your utility/lawn/garden equipment engine for the period of time listed above provided there has been no abuse, neglect or improper maintenance of your utility/lawn/garden equipment engine.

Your emission control system may include parts such as the carburetor or fuel injection system, the ignition system, and catalytic converter. Also included may be hoses, belts, and connectors and other emission related assemblies.

Where a warrantable condition exists, Toro will repair your engine at no cost to you including diagnosis, parts and labor.

## Manufacturer's Warranty Coverage:

The 1997 and later utility/lawn/garden equipment engines are warranted for two years from the date of delivery. If any emission-related part on your engine is defective in materials or workmanship, the part will be repaired or replaced by Toro free of charge.

## Owner's Warranty Responsibilities:

- As the engine owner, you are responsible for the performance of the required maintenance listed in your owner's manual. Toro recommends that you retain all receipts covering maintenance on your equipment, but Toro cannot deny warranty solely for the lack of receipts or for your failure to ensure the performance of all scheduled maintenance.
- Any replacement part or service that is equivalent in performance and durability may be used in non-warranty maintenance or repairs, and shall not reduce the warranty obligations of the engine manufacturer.
- As the engine owner, you should, however, be aware that Toro may deny you warranty coverage if your engine or a part has failed due to abuse, neglect, improper maintenance or unapproved modifications or parts.
- You are responsible for presenting your equipment engine to a Toro Service Dealer as soon as a problem exists. The warranty repairs should be completed in a reasonable amount of time, not to exceed 30 days.
- If you have any questions regarding your warranty rights and responsibilities or if you need a referral to a Toro Service Dealer, please feel free to contact us at the following address:

Toro Customer Service Department  
8111 Lyndale Avenue South  
Bloomington, MN 55420-1196  
612-888-8801  
800-348-2424

## Warranted Parts:

The warranty period begins on the date the engine or equipment is delivered to a retail purchaser. The manufacturer warrants to the initial owner and each subsequent purchaser that the engine is free from defects in materials and workmanship which cause the engine to fail to conform with applicable regulations for a period of two years.

Failures caused by abuse, neglect, or improper maintenance are not covered. The use of add-on or modified parts can be grounds for disallowing a warranty claim. The manufacturer is not liable to cover failures of warranted parts caused by the use of add-on or modified parts. Toro is liable for damages to other engine components caused by the failure of a warranted part still under warranty. The owner is responsible for the performance of the required maintenance, as defined by the manufacturer in the written instructions.

Any warranted part which is not scheduled for replacement as required maintenance, or which is scheduled only for regular inspection to the effect of "repair or replace as necessary" shall be warranted for the warranty period. Any warranted part which is scheduled for replacement as required maintenance shall be warranted for the period of time up to the first scheduled replacement point for that part. Coverage under this warranty extends only to the parts listed below (the emissions system parts) to the extent that these parts were present on the engine when purchased.

- Fuel Metering System
  - Cold start enrichment system including the choke mechanism or priming system
  - Fuel pump
  - Air fuel ratio feed back system
  - Carburetor and internal parts
  - Fuel injection system
- Air Induction System
  - Air cleaner
  - Reed intake system
  - Intake manifold
  - Controlled hot air intake system
- Ignition System
  - Spark plug(s)
  - Ignition coils and electronics
  - Advance/retard mechanisms
- Catalytic Converter/Thermal Reactor System
  - Catalytic converter
  - Thermal reactor
  - Exhaust manifold
- Air Injection System
  - Air injection system or pulse valve
  - Valves affecting distribution of air
- Exhaust Gas Recirculation (EGR) System
  - EGR valve body and piping system connecting to the intake side of the engine
  - EGR control system
- Particulate Controls
  - Traps filters, precipitators and any other device used to capture particulate emissions
- Miscellaneous Items Used in the Above Systems
  - Vacuum, temperature, and time sensitive valves and switches
  - Electronic controls
  - Hoses, connectors, and assemblies of same

### **How to Get Warranty Service:**

Should you feel your Toro Product requires warranty service, contact the dealer who sold you the product or any Authorized Toro Service Dealer or Toro Master Service Dealer. The Yellow Pages of your telephone directory is a good reference source. The dealer will either arrange service at his/her dealership or recommend another Authorized Service Dealer who may be more convenient. You may need proof of purchase (copy of registration card, sales receipt, etc.) for warranty validation. The owner shall not be charged for diagnostic labor which leads to the determination that a warranted part is defective, if the diagnostic work is performed at a warranty station.

**The Toro Company is not liable for indirect, incidental or consequential damages in connection with the use of the Toro Products covered by this warranty, except for damages to other engine components caused by the failure of a warranted part still under warranty. Some states do not allow exclusions of incidental or consequential damages, so the above exclusion may not apply to you.**

**This warranty gives you specific legal rights, and you may also have other rights which vary from state to state.**



Gas, Cordless, Electric,  
and 21" Commercial Duty  
Walk Mowers

## THE TORO PERFORMANCE WARRANTY

A Full Warranty  
(Limited Warranty for Commercial Use)

### What Is Covered By This Express Warranty?

From the date of purchase, for the period listed below, the Toro Company promises to repair any Toro Product used for normal residential purposes\* if defective in materials or workmanship or if it stops functioning due to the failure of a component. The following time periods apply from the date of purchase:

- Super Recycler® Walk Mowers . 5 year full warranty
- VacuPower™ Walk Mowers . . . . 5 year full warranty
- All Others . . . . . 2 year full warranty

The cost of parts and labor is included, but the customer pays the transportation costs.

### What Products Are Covered By This Warranty?

This warranty applies to all gas, cordless, and electric consumer walk power mowers.

### How About Commercial Use?

Toro Walk Power Mowers used for commercial, institutional or rental use are warranted against defects in material or workmanship. Components failing due to normal wear are not covered by this warranty. The following time periods apply from the date of purchase:

Products	Warranty Period	
	Engine	Entire Unit
• 21" Commercial Duty Walk Mowers . . . . .	2 year limited	1 year limited
• All Others . . . . .	45 day limited	45 day limited

### How Do You Get Warranty Service?

Should you feel your Toro Product requires warranty service, contact the dealer who sold you the product or any Authorized Toro Service Dealer or Toro Master Service Dealer. The Yellow Pages of your telephone directory is a good reference source. The dealer will either arrange service at his/her dealership or recommend another Authorized Service Dealer who may be more convenient. You may need proof of purchase (copy of registration card, sales receipt, etc.) for warranty validation.

If for any reason you are dissatisfied with the Service Dealer's analysis of the defect in materials or workmanship or if you need a referral to a Toro Service Dealer, please feel free to contact us at the following address:

Toro Customer Service Department  
8111 Lyndale Avenue South  
Bloomington, MN 55420-1196  
612-888-8801  
800-348-2424

### What Must You Do To Keep The Warranty In Effect?

You must maintain your Toro Product by following the maintenance procedures described in the operator's manual. Such routine maintenance, whether performed by a dealer or by you, is at your expense.

### What Does This Warranty Not Cover? and

### How Does Your State Law Relate To This Warranty?

There is no other express warranty except for special emission system coverage on some products and the Toro Starting Guarantee on GTS Engines. This express warranty does not cover:

- Cost of regular maintenance service or parts, such as filters, fuel, lubricants, oil changes, spark plugs, blade sharpening, blade worn out, cable/linkage adjustments or brake and clutch adjustments.
- Any product or part which has been altered or misused or required replacement or repair due to accidents or lack of proper maintenance.
- Repairs necessary due to improper fuel, contaminants in the fuel system, or failure to properly prepare the fuel system prior to any period of non-use over three months.
- Repairs necessary due to improper battery care, electrical supply irregularities, or failure to properly prepare the mower prior to any period of non-use.
- Pickup and delivery charges.

All repairs covered by this warranty must be performed by an Authorized Toro Service Dealer using Toro approved replacement parts.

Repair by an Authorized Toro Service Dealer is your sole remedy under this warranty.

**The Toro Company is not liable for indirect, incidental or consequential damages in connection with the use of the Toro Products covered by this warranty, including any cost or expense of providing substitute equipment or service during reasonable periods of malfunction or non-use pending completion of repairs under this warranty. Some states do not allow exclusions of incidental or consequential damages, so the above exclusion may not apply to you.**

**This warranty gives you specific legal rights, and you may also have other rights which vary from state to state.**

\* Normal residential purposes means mowing the lawn on the same lot as your home. Use at more than one location is considered commercial use and the commercial use warranty would apply.

### COUNTRIES OTHER THAN THE UNITED STATES OR CANADA

Customers who have purchased Toro products exported from the United States or Canada should contact their Toro Distributor (Dealer) to obtain guarantee policies for your country, province, or state. If for any reason you are dissatisfied with your Distributor's service or have difficulty obtaining guarantee information, contact the Toro importer. If all other remedies fail, you may contact us at The Toro Company.

