



Count on it.

Parts Catalog

**21in 14-Blade Cutting Unit
Greensmaster® Flex™/eFlex® 2120 Traction
Unit**

Model No. 04292—Serial No. 40000000 and Up



Ordering Replacement Parts

To order replacement parts, please supply the part number, the quantity, and the description of each part desired.

Understanding Reference Numbers

Each identified part in an illustration has a reference number. The reference number for a part also appears in the parts list, along with other information about the part.

This catalog uses two special reference number formats, one to indicate parts in a service assembly and another to indicate the quantity of a given part in an illustration.

Service Assembly Reference Numbers

Parts in service assemblies have reference numbers in the form a:b. The a represents the reference number of the entire service assembly and the b represents a sequential number unique to each part within the service assembly.

For example, a wheel assembly might be identified by reference number 6, the tire by 6:1, the valve by 6:2, and the wheel by 6:3. When you order the assembly identified by reference number 6, you receive all parts identified by reference numbers 6:1, 6:2, and 6:3. However, you may also order any part individually. Reference numbers of this type appear in illustration and in parts lists.

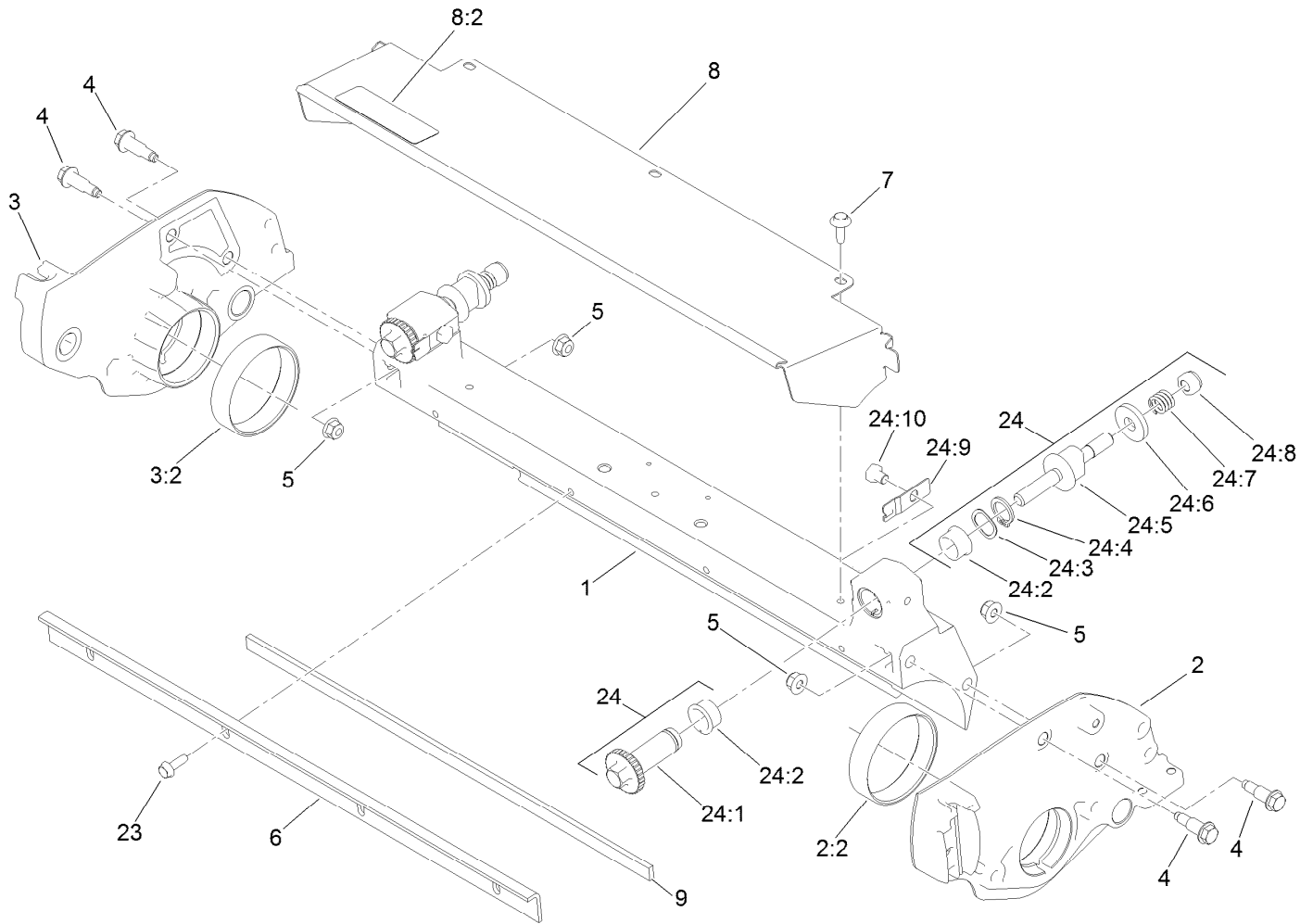
Reference Numbers Indicating Quantity

In an illustration, if a reference number indicates more than one part, the reference number has the form nX y. The n represents the quantity of the part, the X is the multiplication symbol, and the y represents the reference number.

For example, in an illustration, the reference number 2X 37 means that two of the parts identified by reference number 37 are indicated.

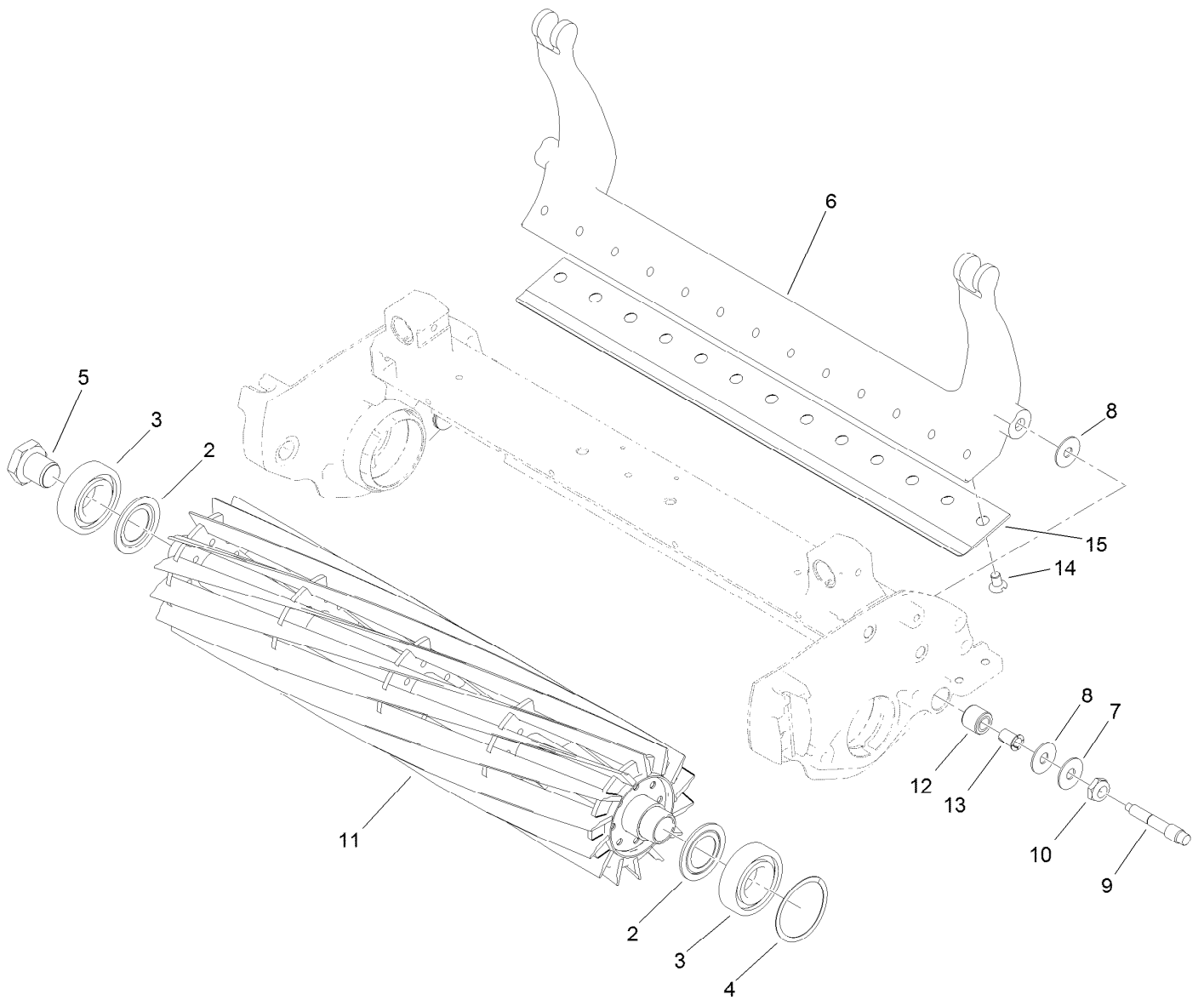
Contents

| | |
|--|----|
| Frame Assembly..... | 4 |
| Reel Assembly..... | 5 |
| Roller Assembly..... | 6 |
| Aluminum Rear Full Roller Assembly No. 115-7356..... | 7 |
| Roller Seal Rebuild Kit Assembly No. 107-1594..... | 8 |
| Drive Assembly..... | 9 |
| Pitch Arm and Weight Assembly..... | 10 |
| Attachments and Accessories..... | 11 |



Frame Assembly

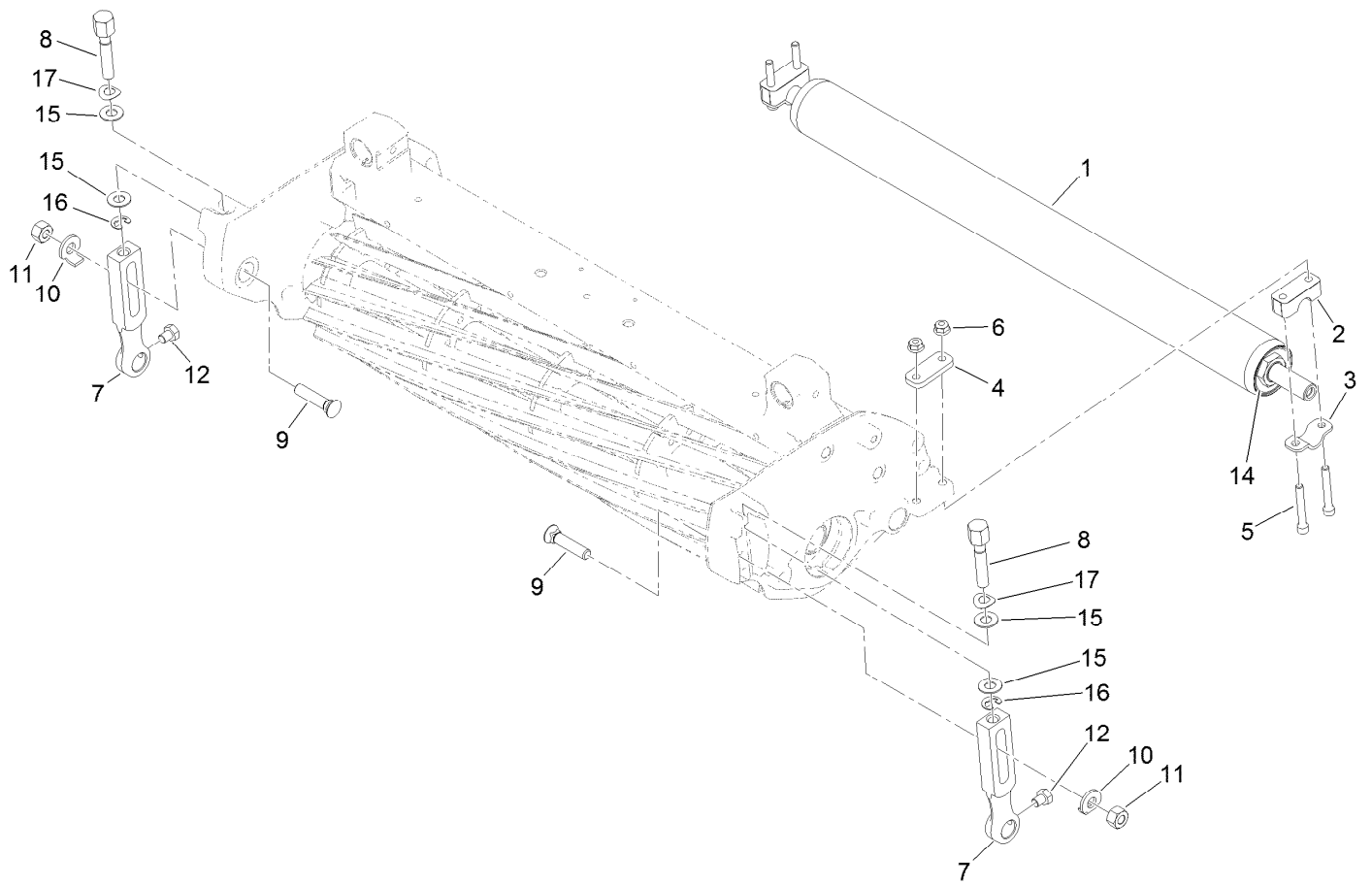
| <i>Ref.</i> | <i>Part Number</i> | <i>Qty.</i> | <i>Description</i> | <i>Ref.</i> | <i>Part Number</i> | <i>Qty.</i> | <i>Description</i> |
|-------------|--------------------|-------------|-----------------------|-------------|--------------------|-------------|------------------------|
| 1 | 119-9303 | 1 | Crossmember | 23 | 131-6150 | 4 | Screw-HWHTF |
| 2 | 119-4005 | 1 | LH Sideplate ASM | 24 | 121-2637 | 1 | DPA Adjusters MVP Kit |
| 2:2 | 117-6619 | 1 | Bushing | 24:1 | 106-5363 | 2 | Shaft-Adjuster |
| 3 | 119-4007 | 1 | RH Sideplate ASM | 24:2 | 106-5344 | 4 | Bushing-Flange, Keyed |
| 3:2 | 117-6619 | 1 | Bushing | 24:3 | 119-4164 | 2 | Washer-Wave |
| 4 | 115-7042 | 4 | Bolt-Shoulder, Flange | 24:4 | 32120-93 | 2 | Ring-Retaining |
| 5 | 119-4041 | 4 | Nut-HF | 24:5 | 115-7039 | 2 | Screw-Adjuster, Bedbar |
| 6 | 115-3303-03 | 1 | Bar-Cutoff | 24:6 | 119-4155 | 2 | Washer-Hardened |
| 7 | 119-4012 | 3 | Screw-HWHTF | 24:7 | 119-4156 | 2 | Spring-Compression |
| 8 | 120-9588 | 1 | Grass Shield ASM | 24:8 | 119-4039 | 2 | Nut-Hex, NI |
| 8:2 | 104-7729 | 1 | Decal-Danger, CE | 24:9 | 99-2097 | 2 | Detent |
| 9 | 106-2619 | 1 | Strip-Seal | 24:10 | 119-4067 | 2 | Screw-HH |



Reel Assembly

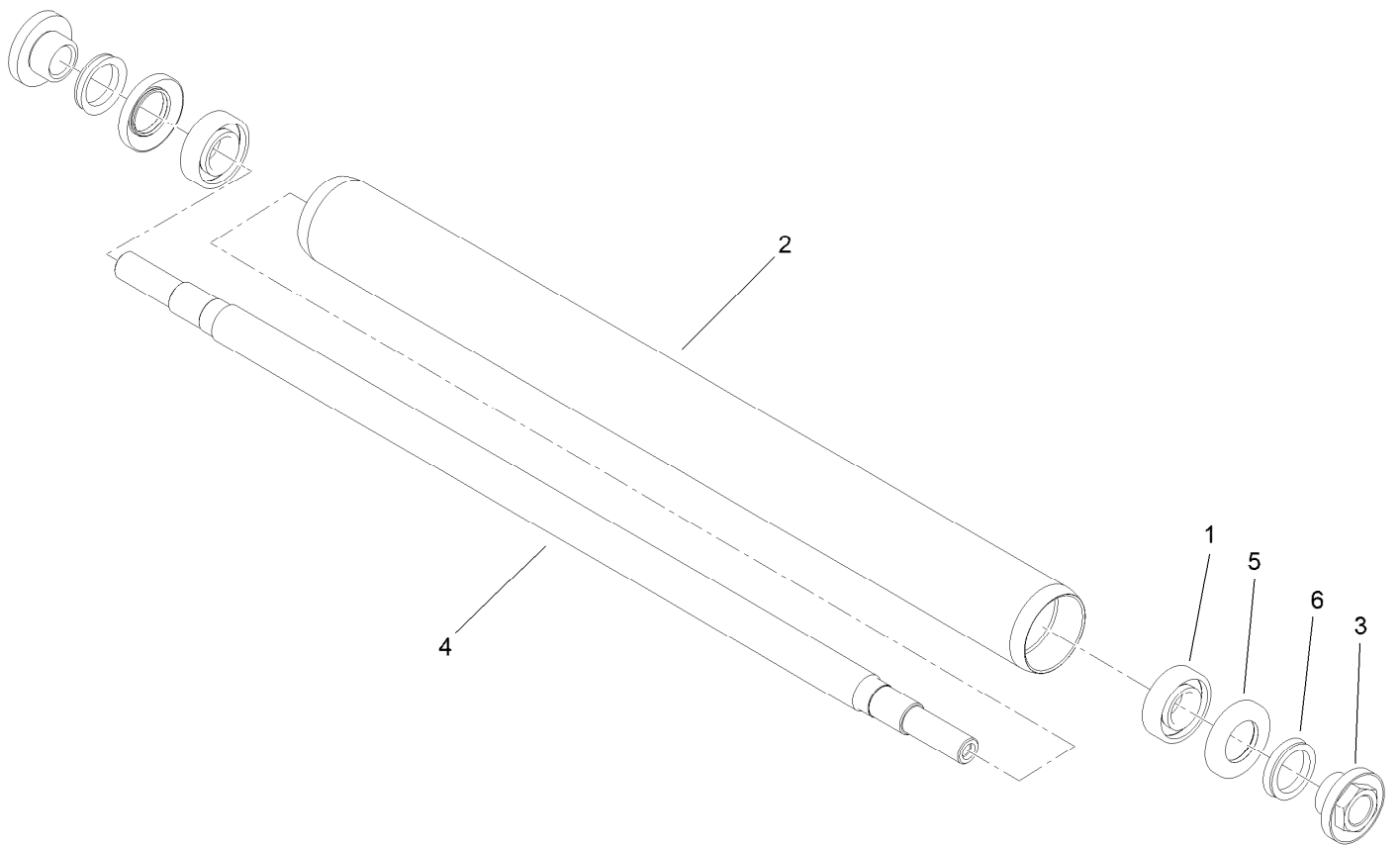
| Ref. | Part Number | Qty. | Description | Ref. | Part Number | Qty. | Description |
|------|-------------|------|--------------------------------------|------|-------------|------|---------------------------------|
| 2 | 115-3299 | 2 | Seal-Flocked | 12 | 119-4153 | 2 | Rubber Bushing ASM |
| 3 | 115-3296 | 2 | Bearing-Sealed | 13 | 52-2890 | 2 | Bushing-Nylon |
| 4 | 115-5258 | 1 | Spring-Wire, Flat | 14 | 119-4151 | 13 | Screw-Bedknife |
| 5 | 115-7263 | 1 | Screw-Lock, Bearing | 15 | 108-4302 | 1 | Bedknife-Tournament, Extended ● |
| 6 | 106-2648-01 | 1 | Bedbar | 15 | 108-4303 | 1 | Bedknife-Microcut, Extended ● |
| 6 | 99-3794-03 | 1 | Bedbar-Aggressive ● | 15 | 115-1880 | 1 | Bedknife-Edgemax, Microcut |
| 7 | 119-4150 | 2 | Washer-Flat | 15 | 115-1881 | 1 | Bedknife-Edgemax, Tournament ● |
| 8 | 52-2900 | 4 | Washer-Plastic | 15 | 93-4262 | 1 | Bedknife-Microcut ● |
| 9 | 117-9493 | 2 | Bolt-Bedbar | 15 | 93-4263 | 1 | Bedknife-Tournament Cut ● |
| 10 | 119-4154 | 2 | Nut-Lock, NI | 15 | 93-4264 | 1 | Bedknife-Low Cut ● |
| 11 | 132-7340 | 1 | 21 Inch 8 Blade Low Drag Reel ASM ● | | | | |
| 11 | 132-7341 | 1 | 21 Inch 11 Blade Low Drag Reel ASM ● | | | | |
| 11 | 132-7342 | 1 | 21 Inch 14 Blade Low Drag Reel ASM | | | | |

● Optional Equipment



Roller Assembly

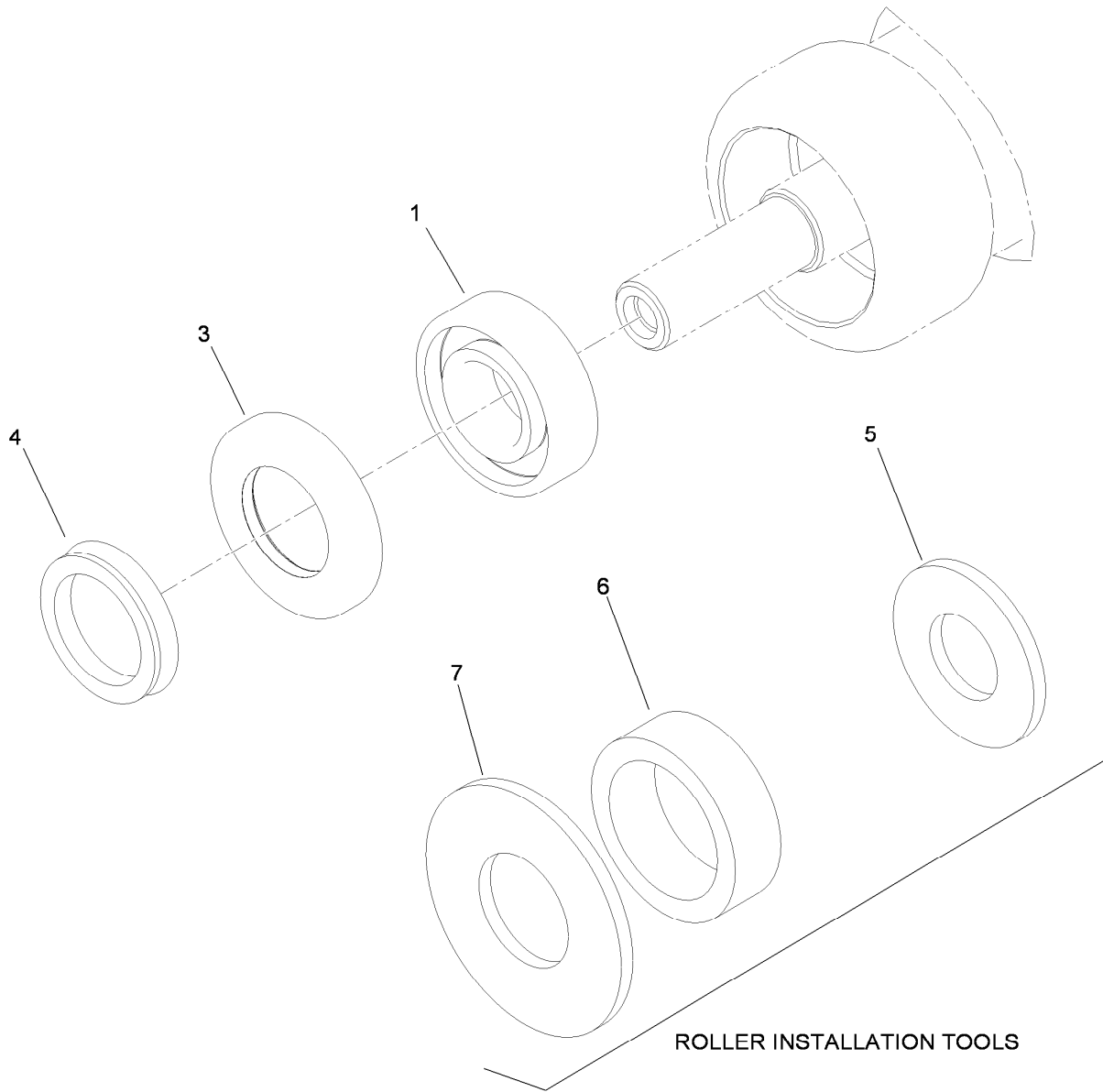
| <i>Ref.</i> | <i>Part Number</i> | <i>Qty.</i> | <i>Description</i> | <i>Ref.</i> | <i>Part Number</i> | <i>Qty.</i> | <i>Description</i> |
|-------------|--------------------|-------------|-----------------------------|-------------|--------------------|-------------|-------------------------|
| 1 | 115-7356 | 1 | Rear Full Roller (Aluminum) | 9 | 99-3773 | 2 | Bolt-Plow |
| 2 | 119-4166 | 2 | Spacer-Height, Roller | 10 | 119-4158 | 2 | Washer-HOC |
| 3 | 119-4157 | 2 | Retainer-Shaft | 11 | 115-7193 | 2 | Nut-HOC |
| 4 | 119-4165 | 2 | Shim-Height, Roller | 12 | 119-4067 | 2 | Screw-HH |
| 5 | 119-4035 | 4 | Screw-HSH | 14 | 107-1594 | 1 | Roller Seal Rebuild Kit |
| 6 | 119-4040 | 4 | Nut-Flange, NI | 15 | 132-4593 | 4 | Washer |
| 7 | 115-7041 | 2 | Arm-HOC | 16 | 1891 | 2 | E-Ring |
| 8 | 132-4586 | 2 | Screw-HOC | 17 | 121-4605 | 2 | Washer-Spring |



Aluminum Rear Full Roller Assembly No. 115-7356

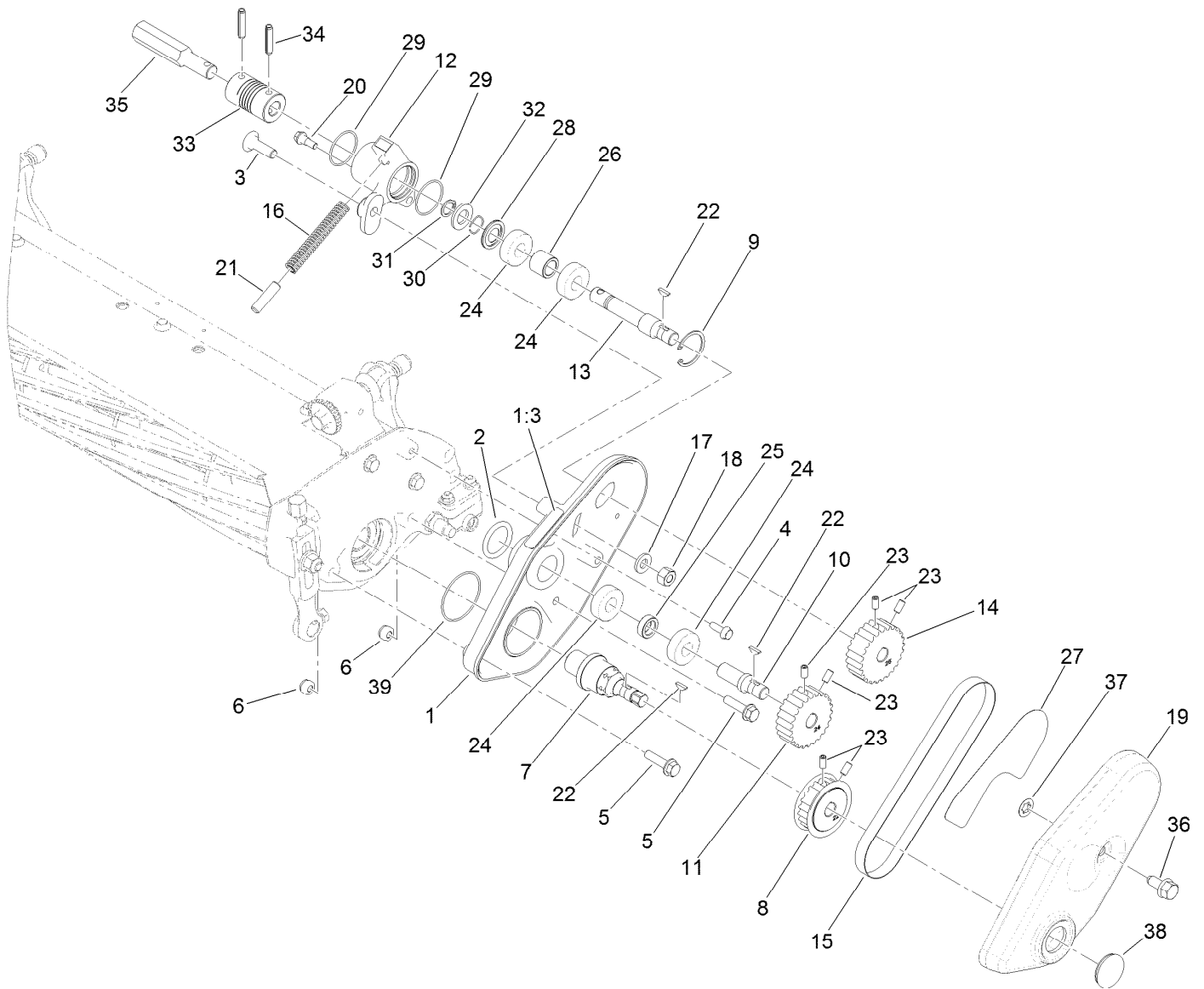
| <i>Ref.</i> | <i>Part Number</i> | <i>Qty.</i> | <i>Description</i> |
|-------------|--------------------|-------------|-------------------------|
| 1 | 251-347 | 2 | Bearing-Ball |
| 2 | 99-3841 | 1 | Roller-Full, Aluminum ● |
| 3 | 108-3151 | 2 | Nut-Lock, Bearing |
| 4 | 119-4090 | 1 | Shaft-Roller |
| 5 | 106-6941 | 2 | Seal |
| 6 | 106-6942 | 2 | V-Ring |

● Roller Rebuild Kit 107-1594 available for this roller.



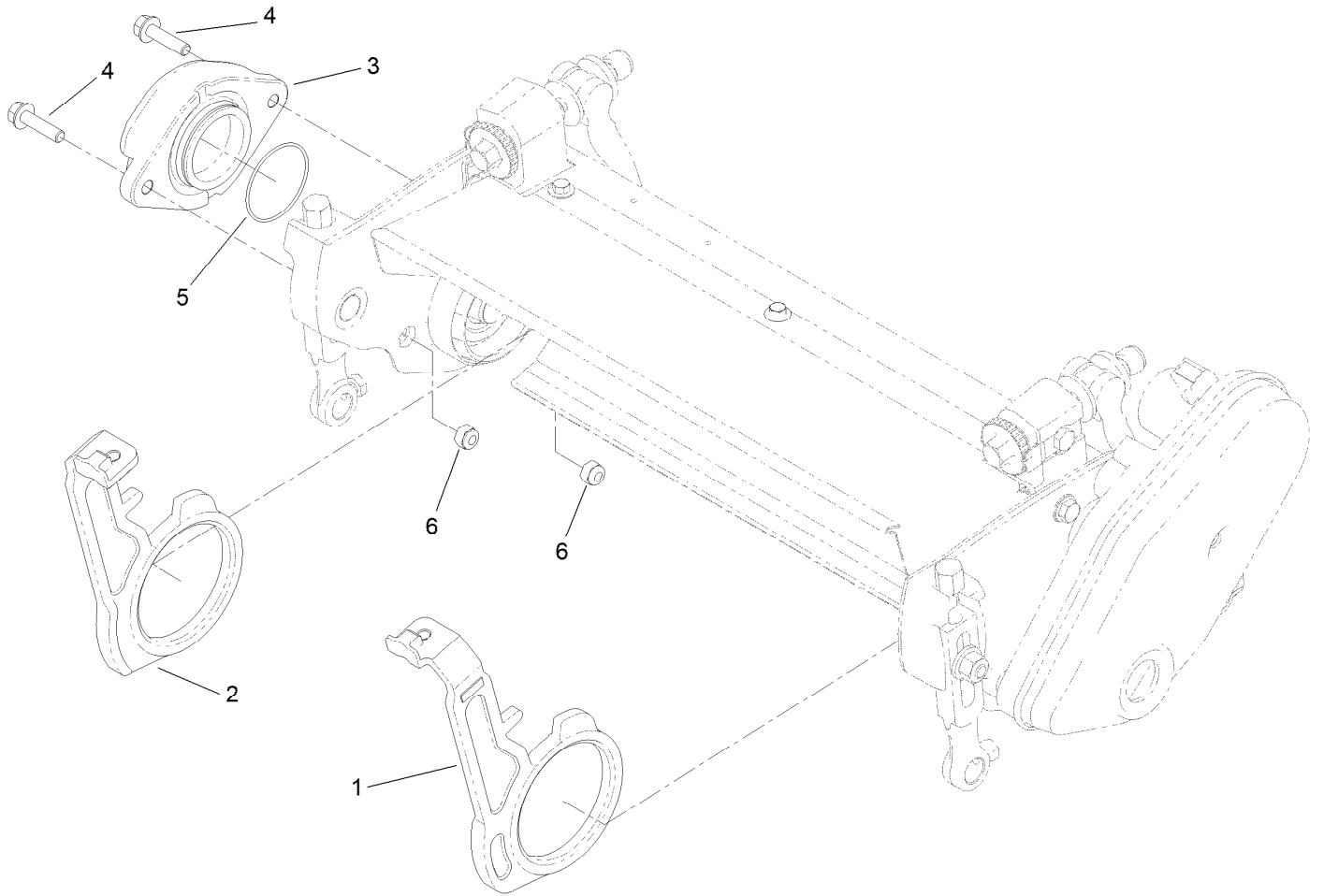
Roller Seal Rebuild Kit Assembly No. 107-1594

| <i>Ref.</i> | <i>Part Number</i> | <i>Qty.</i> | <i>Description</i> |
|-------------|--------------------|-------------|---------------------|
| 1 | 251-347 | 2 | Bearing-Ball |
| 3 | 106-6941 | 2 | Seal |
| 4 | 106-6942 | 2 | V-Ring |
| 5 | 107-8133 | 2 | Washer-Flat |
| 6 | 107-3505 | 2 | Spacer-Tool, Roller |
| 7 | 104-6126 | 2 | Washer-Flat |



Drive Assembly

| Ref. | Part Number | Qty. | Description | Ref. | Part Number | Qty. | Description |
|------|-------------|------|-----------------------|------|-------------|------|-------------------------|
| 1 | 119-4032 | 1 | Reel Housing ASM | 20 | 119-4161 | 1 | Bolt-Shoulder |
| 1:3 | 120-9570 | 1 | Decal-Warning | 21 | 115-7279 | 1 | Pin-Guide, Spring |
| 2 | 119-4077 | 1 | O-Ring | 22 | 937218 | 3 | Key-Hipro |
| 3 | 119-4162 | 1 | Screw-CARR | 23 | 3245-9 | 6 | Screw-Set, HSH |
| 4 | 131-6150 | 1 | Screw-HWHTF | 24 | 115-6869 | 4 | Bearing-Ball, Stainless |
| 5 | 119-4036 | 2 | Screw-HHF | 25 | 121-4658 | 1 | Spacer |
| 6 | 119-4038 | 2 | Nut-Hex | 26 | 119-4076 | 1 | Spacer-Bearing |
| 7 | 120-9707 | 1 | Shaft-Drive, Reel | 27 | 131-1820 | 1 | Decal-Clip |
| 8 | 121-4722 | 1 | Pulley-Reel, 22 Tooth | 28 | 115-6923 | 1 | Shield-Bearing, Flocked |
| 9 | 32151-34 | 1 | Ring-Retaining | 29 | 107-9455 | 2 | O-Ring |
| 10 | 120-9706 | 1 | Shaft-Idler, Reel | 30 | 115-7143 | 1 | Spring-Wave |
| 11 | 121-4724 | 1 | Pulley-Reel, 24 Tooth | 31 | 115-6755 | 1 | Ring-Retaining |
| 12 | 132-6998 | 1 | Housing-Bearing | 32 | 115-7144 | 1 | Washer-Flat |
| 13 | 131-3173 | 1 | Shaft-Input, Reel | 33 | 133-2341 | 1 | Coupling-Helical |
| 14 | 121-4725 | 1 | Pulley-Reel, 25 Tooth | 34 | 32121-9 | 2 | Pin-Roll, Slotted |
| 15 | 99-2022 | 1 | Belt | 35 | 131-3168 | 1 | Shaft-Hex, Reel |
| 16 | 115-6881 | 1 | Spring-Compression | 36 | 115-7108 | 1 | Screw-HHF |
| 17 | 115-7293 | 1 | Washer-Hardened | 37 | 107-3154 | 1 | Nut-Push |
| 18 | 115-7193 | 1 | Nut-HOC | 38 | 115-7288 | 1 | Plug |
| 19 | 119-4163 | 1 | Cover-Reel | 39 | 360-0398 | 1 | O-Ring |



Pitch Arm and Weight Assembly

| <i>Ref.</i> | <i>Part Number</i> | <i>Qty.</i> | <i>Description</i> |
|-------------|--------------------|-------------|----------------------|
| 1 | 133-8750-01 | 1 | Arm-Pitch, LH |
| 2 | 133-8751-01 | 1 | Arm-Pitch, RH |
| 3 | 119-4052-03 | 1 | Weight-Unit, Cutting |
| 4 | 119-4036 | 2 | Screw-HHF |
| 5 | 360-0398 | 1 | O-Ring |
| 6 | 119-4038 | 2 | Nut-Hex |

Attachments and Accessories

For 04292 21in 14-Blade Cutting Unit Greensmaster Flex/eFlex 2120 Traction Unit

| Product Name | Model/Part |
|---|------------|
| 21in Twin Tip Groomer Reel | 04802 |
| Blade-Groomer..... | 132-4626 |
| Split Full Front Roller | 04249 |
| Split Narrow Wiehle Roller | 04250 |
| Narrow Wiehle Roller (Qty 1) | 04255 |
| Wide Wiehle Roller (Qty 1) | 04256 |
| Front Full Smooth Roller (Qty 1) | 04257 |
| Extended Narrow Wiehle Roller (Qty 1) | 04258 |
| Paspalum Wiehle Roller (Qty 1)..... | 04267 |
| Narrow Wiehle Steel Roller Asm..... | 107-3510 |
| Wide Wiehle Steel Roller Asm | 107-3514 |
| Narrow Wiehle Roller Kit..... | 115-7360 |
| Wide Wiehle Roller Kit | 115-7386 |
| Front Full Smooth Roller Kit..... | 115-7388 |
| Extended Wiehle Roller Kit | 121-4675 |
| Paspalum Wiehle Roller | 121-9535 |
| Cast Iron Wiehle Roller (Qty 1) | 71-1550 |
| Front Brush for Narrow Wiehle Roller (Qty 1)..... | 115-7377 |
| Front Brush for Wide Wiehle Roller (Qty 1) | 115-7378 |
| Front Brush for Full Roller (Qty 1) | 115-7379 |
| Front Comb for Narrow Wiehle Roller (Qty 1)..... | 115-7380 |
| Front Comb for Wide Wiehle Roller (Qty 1) | 115-7381 |
| Front Comb for Full Roller (Qty 1) | 115-7382 |
| Front Scraper for Narrow Wiehle Roller (Qty 1)..... | 125-3503 |
| Front Scraper for Wide Wiehle Roller (Qty 1) | 125-3504 |
| Front Scraper for Full Roller (Qty 1) | 125-3505 |
| Steel Roller Asm | 107-3509 |
| Rear Full Roller Kit (Aluminum)..... | 115-7356 |
| Steel Rear Full Roller (Qty 1) | 120-9595 |
| Rear Roller Scraper Kit with Roller..... | 115-7383 |
| Rear Roller Scraper (Qty 1) | 121-2260 |
| Steel Roller (Qty 1) | 04628 |
| RRB Adapter Kit | 132-0723 |
| Flex Groomer Drive, Forward Rotating | 04259 |
| Flex Groomer Drive, Counter Rotating..... | 04260 |
| Universal Groomer Drive Kit | 04648 |
| 21in Soft Grooming Brush..... | 04270 |
| 21in Stiff Grooming Brush..... | 04271 |
| 21in Soft Grooming Brush, DPA..... | 04274 |
| 21in Stiff Grooming Brush, DPA..... | 04275 |
| 21in Spring Steel Groomer Reel | 04283 |
| 21in Carbide Groomer Reel | 04284 |
| 21in Brush Groomer Reel | 04285 |
| Left-Hand Carbide Grooming Reel | 04708 |
| Carbide Grooming Reel | 04711 |

Attachments and Accessories (continued)

| | |
|--|-------------|
| Steel Grooming Reel | 04712 |
| Groomer Brush | 04713 |
| 21in Thin Blade Groomer Reel | 04741 |
| 21in Spring Steel Thin Blade Groomer Reel | 04744 |
| 21in Soft Grooming Brush Kit..... | 127-1547 |
| 21in Stiff Grooming Brush Kit..... | 127-1548 |
| Toro Reel Paper (10 Pack)..... | 125-5610 |
| Toro Reel Shim (0.002in) | 125-5611 |
| Roller Extension Kit | 115-7361 |
| High Height-of-Cut Arms (Qty 1)..... | 120-9600 |
| Rear Roller Adjustment (Qty 1)..... | 120-9602 |
| Groomer Quick Up Kit..... | 127-6119 |
| Angle Indicator..... | 131-6828 |
| Angle Indicator Mount..... | 131-6829 |
| Bedbar | 106-2648-01 |
| Bedbar-Aggressive | 99-3794-03 |
| Bedknife-Tournament, Extended | 108-4302 |
| Bedknife-Microcut, Extended..... | 108-4303 |
| Bedknife-Edgemax, Microcut..... | 115-1880 |
| Bedknife-Edgemax, Tournament Cut..... | 115-1881 |
| Bedknife-Microcut..... | 93-4262 |
| Bedknife-Tournament Cut..... | 93-4263 |
| Bedknife-Low Cut | 93-4264 |
| 21 Inch 8 Blade Low Drag Reel ASM | 132-7340 |
| 21 Inch 11 Blade Low Drag Reel ASM | 132-7341 |
| 21 Inch 14 Blade Low Drag Reel ASM | 132-7342 |
| Blade-Groomer, Helix | 110-2333 |
| Blade-Groomer, Thin (Carbide) | 121-9531 |
| Out-Front Brush Kit..... | 04266 |
| Roller Seal Replacement (Qty 1) | 107-1594 |
| MVP Kit, Cutting Unit Re-Build..... | 121-2637 |
| MVP Kit, Forward Rotating Groomer Re-Build | 121-9517 |
| Turf Evaluator | 04399 |
| Height-of-Cut Bar..... | 94-9010 |

Notes:

Notes:

Notes:



Count on it.