



Count on it.

Parts Catalog

**21in 11-Blade Cutting Unit
Greensmaster® Flex™/eFlex® 2120 Traction
Unit**

Model No. 04290—Serial No. 400527133 and Up



Ordering Replacement Parts

To order replacement parts, please supply the part number, the quantity, and the description of each part desired.

Understanding Reference Numbers

Each identified part in an illustration has a reference number. The reference number for a part also appears in the parts list, along with other information about the part.

This catalog uses two special reference number formats, one to indicate parts in a service assembly and another to indicate the quantity of a given part in an illustration.

Service Assembly Reference Numbers

Parts in service assemblies have reference numbers in the form a:b. The a represents the reference number of the entire service assembly and the b represents a sequential number unique to each part within the service assembly.

For example, a wheel assembly might be identified by reference number 6, the tire by 6:1, the valve by 6:2, and the wheel by 6:3. When you order the assembly identified by reference number 6, you receive all parts identified by reference numbers 6:1, 6:2, and 6:3. However, you may also order any part individually. Reference numbers of this type appear in illustration and in parts lists.

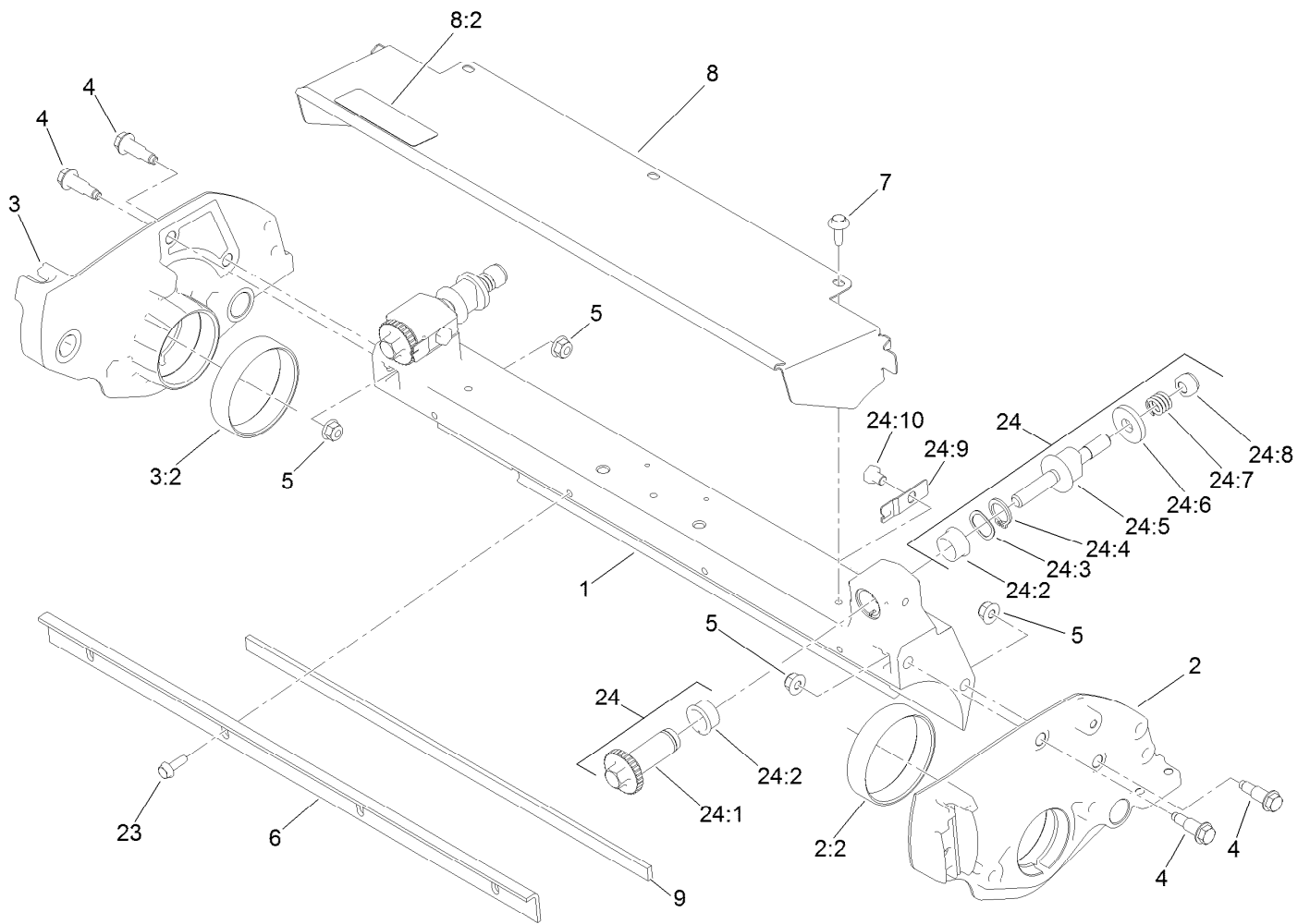
Reference Numbers Indicating Quantity

In an illustration, if a reference number indicates more than one part, the reference number has the form nX y. The n represents the quantity of the part, the X is the multiplication symbol, and the y represents the reference number.

For example, in an illustration, the reference number 2X 37 means that two of the parts identified by reference number 37 are indicated.

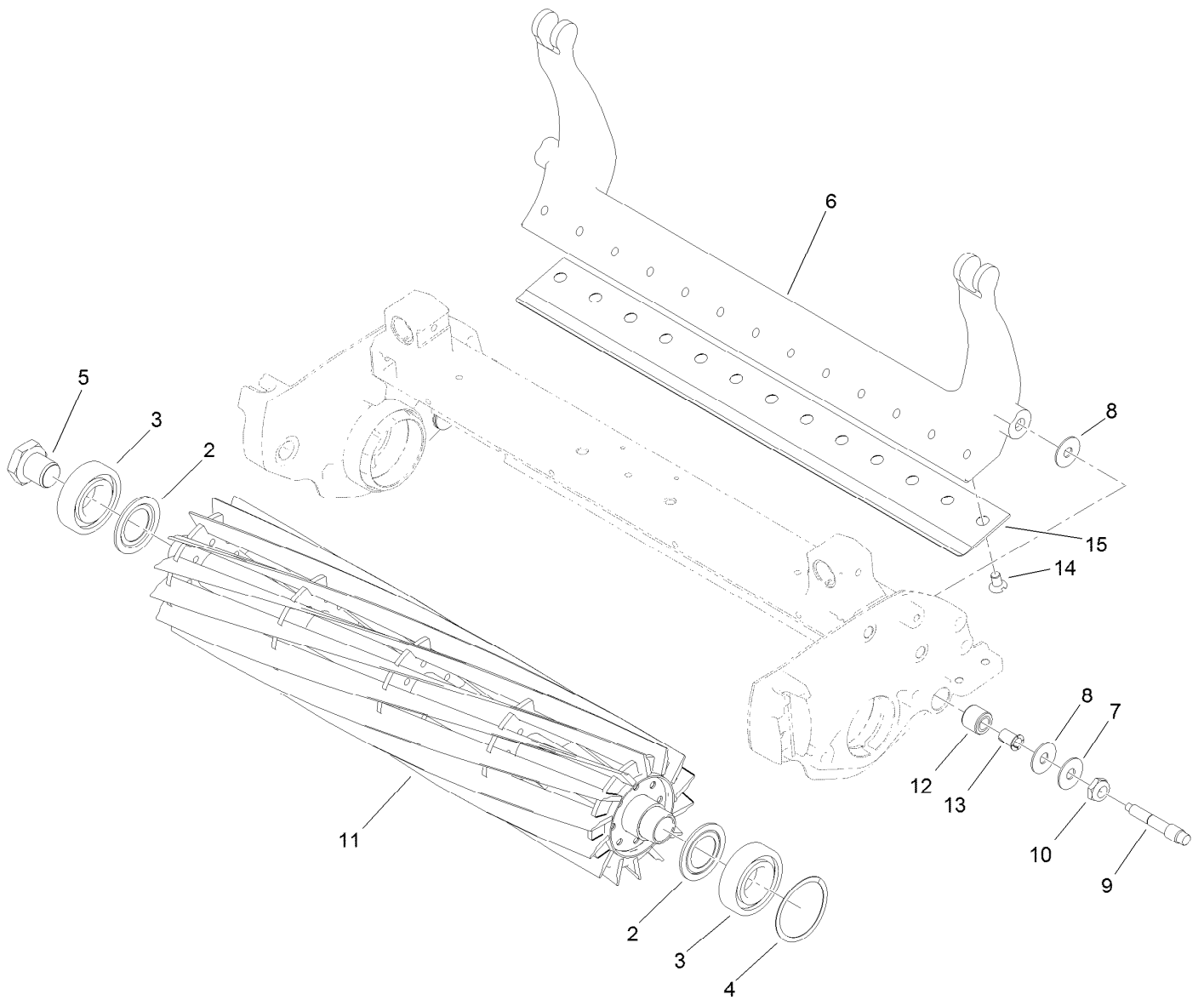
Contents

Frame Assembly.....	4
Reel Assembly	5
Roller Assembly	6
Aluminum Rear Full Roller Assembly No. 115-7356.....	7
Roller Seal Rebuild Kit Assembly No. 107-1594	8
Drive Assembly.....	9
Pitch Arm and Weight Assembly	10
Attachments and Accessories	11



Frame Assembly

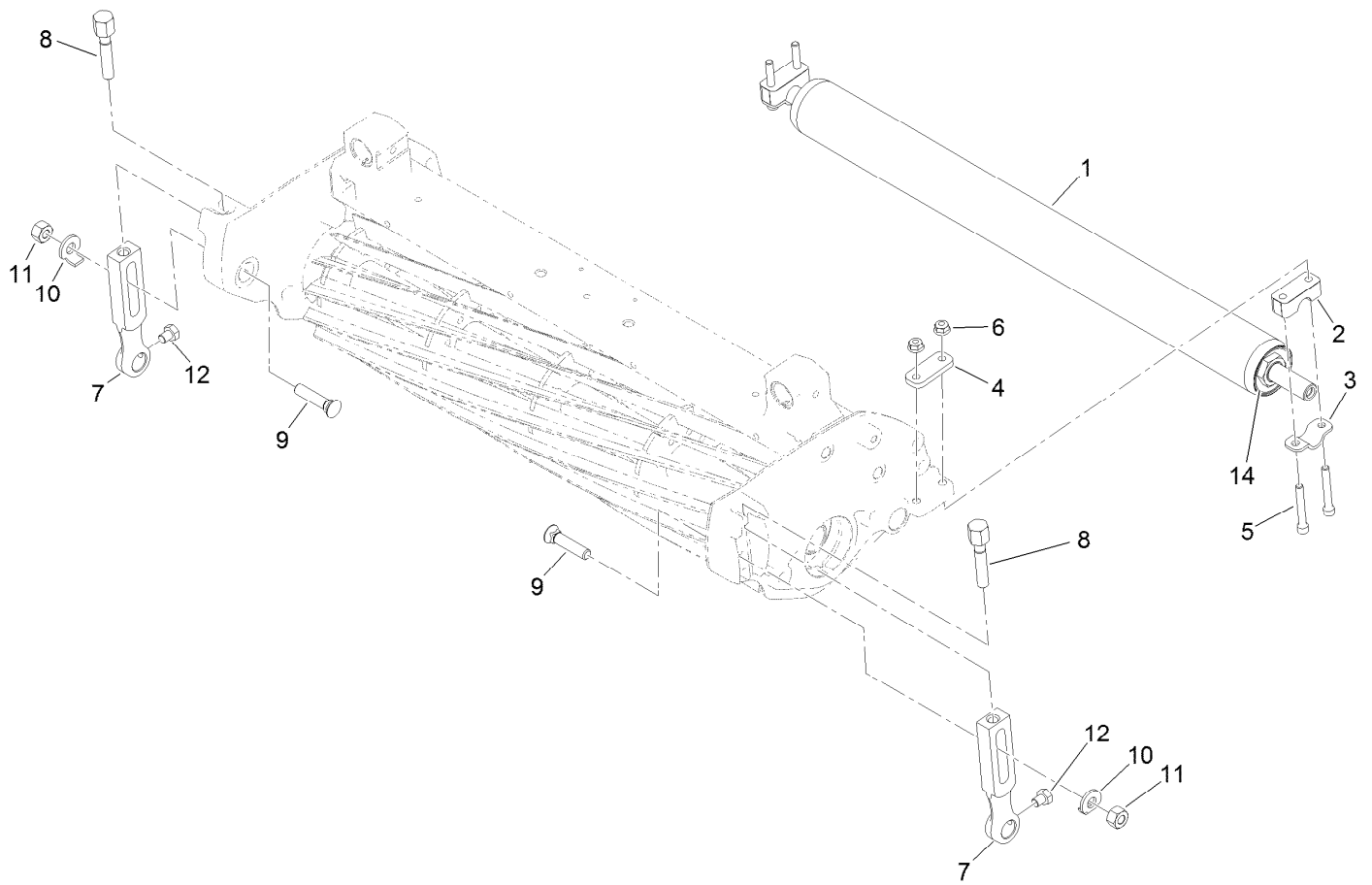
Ref.	Part Number	Qty.	Description	Ref.	Part Number	Qty.	Description
1	119-9303	1	Crossmember	23	131-6150	4	Screw-HWHTF
2	119-4005	1	LH Sideplate ASM	24	121-2637	1	DPA Adjusters MVP Kit
2:2	117-6619	1	Bushing	24:1	106-5363	2	Shaft-Adjuster
3	119-4007	1	RH Sideplate ASM	24:2	106-5344	4	Bushing-Flange, Keyed
3:2	117-6619	1	Bushing	24:3	119-4164	2	Washer-Wave
4	115-7042	4	Bolt-Shoulder, Flange	24:4	32120-93	2	Ring-Retaining
5	119-4041	4	Nut-HF	24:5	115-7039	2	Screw-Adjuster, Bedbar
6	115-3303-03	1	Bar-Cutoff	24:6	119-4155	2	Washer-Hardened
7	119-4012	3	Screw-HWHTF	24:7	119-4156	2	Spring-Compression
8	120-9588	1	Grass Shield ASM	24:8	119-4039	2	Nut-Hex, NI
8:2	104-7729	1	Decal-Danger, CE	24:9	99-2097	2	Detent
9	106-2619	1	Strip-Seal	24:10	119-4067	2	Screw-HH



Reel Assembly

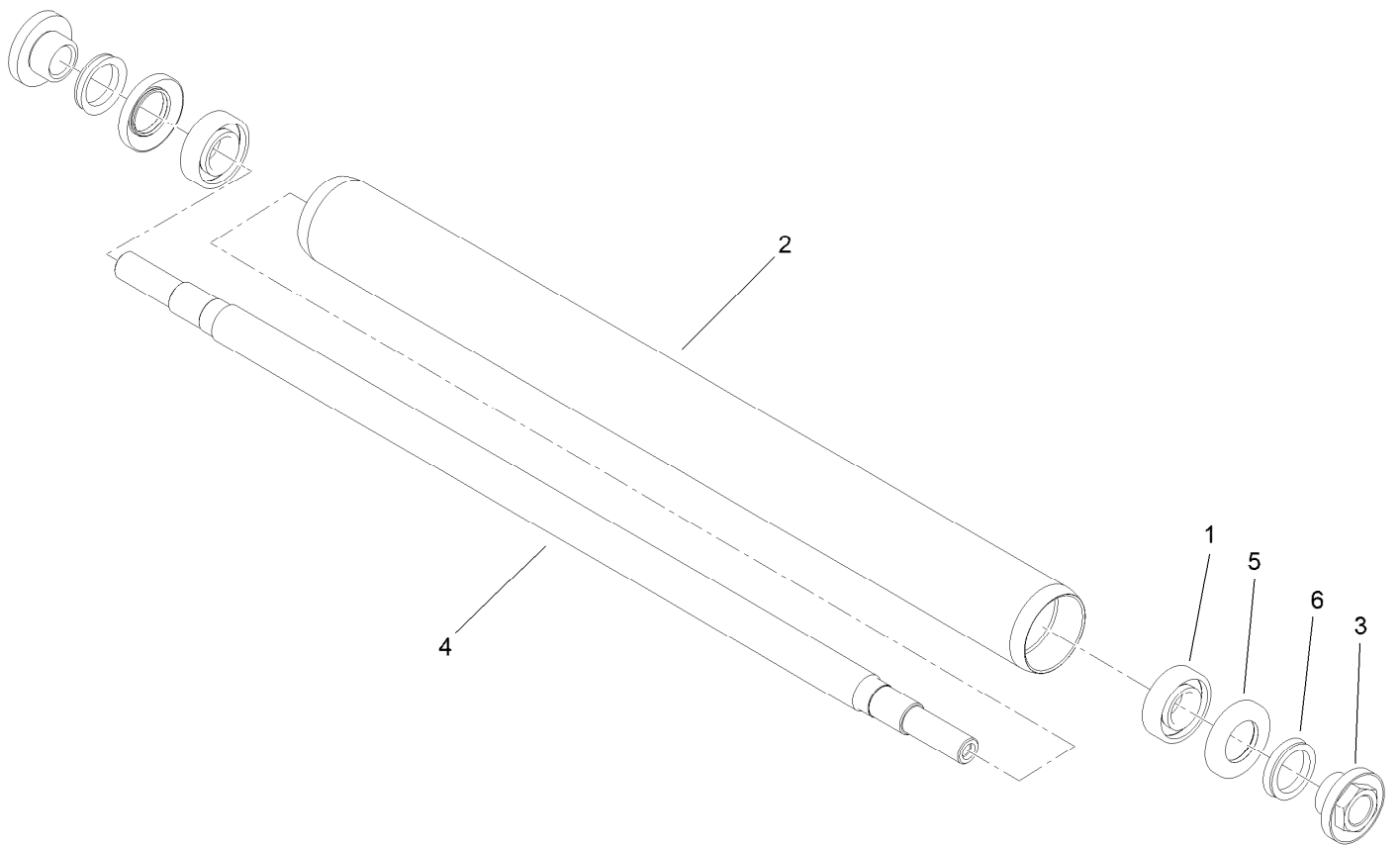
Ref.	Part Number	Qty.	Description	Ref.	Part Number	Qty.	Description
2	115-3299	2	Seal-Flocked	12	119-4153	2	Rubber Bushing ASM
3	115-3296	2	Bearing-Sealed	13	52-2890	2	Bushing-Nylon
4	115-5258	1	Spring-Wire, Flat	14	119-4151	13	Screw-Bedknife
5	115-7263	1	Screw-Lock, Bearing	15	108-4302	1	Bedknife-Tournament, Extended ●
6	106-2648-01	1	Bedbar	15	108-4303	1	Bedknife-Microcut, Extended ●
6	99-3794-03	1	Bedbar-Aggressive ●	15	115-1880	1	Bedknife-Edgemax, Microcut
7	119-4150	2	Washer-Flat	15	115-1881	1	Bedknife-Edgemax, Tournament ●
8	52-2900	4	Washer-Plastic	15	93-4262	1	Bedknife-Microcut ●
9	117-9493	2	Bolt-Bedbar	15	93-4263	1	Bedknife-Tournament Cut ●
10	119-4154	2	Nut-Lock, NI	15	93-4264	1	Bedknife-Low Cut ●
11	132-7340	1	21 Inch 8 Blade Low Drag Reel ASM ●				
11	132-7341	1	21 Inch 11 Blade Low Drag Reel ASM				
11	132-7342	1	21 Inch 14 Blade Low Drag Reel ASM ●				

● Optional Equipment



Roller Assembly

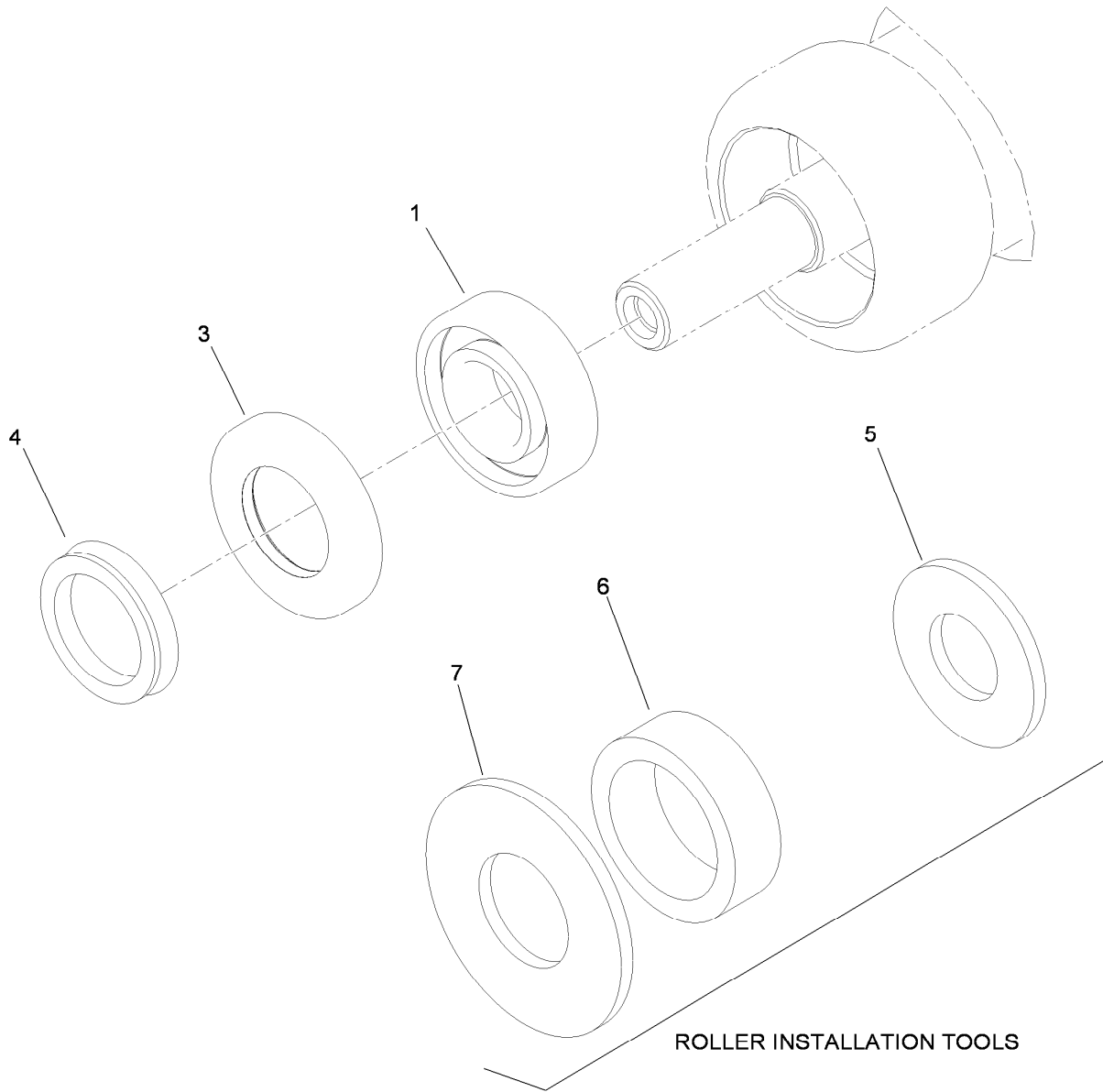
<i>Ref.</i>	<i>Part Number</i>	<i>Qty.</i>	<i>Description</i>
1	115-7356	1	Rear Full Roller (Aluminum)
2	119-4166	2	Spacer-Height, Roller
3	119-4157	2	Retainer-Shaft
4	119-4165	2	Shim-Height, Roller
5	119-4035	4	Screw-HSH
6	119-4040	4	Nut-Flange, NI
7	115-7041	2	Arm-HOC
8	110-7352	2	Screw-HOC
9	99-3773	2	Bolt-Plow
10	119-4158	2	Washer-HOC
11	115-7193	2	Nut-HOC
12	119-4067	2	Screw-HH
14	107-1594	1	Roller Seal Rebuild Kit



Aluminum Rear Full Roller Assembly No. 115-7356

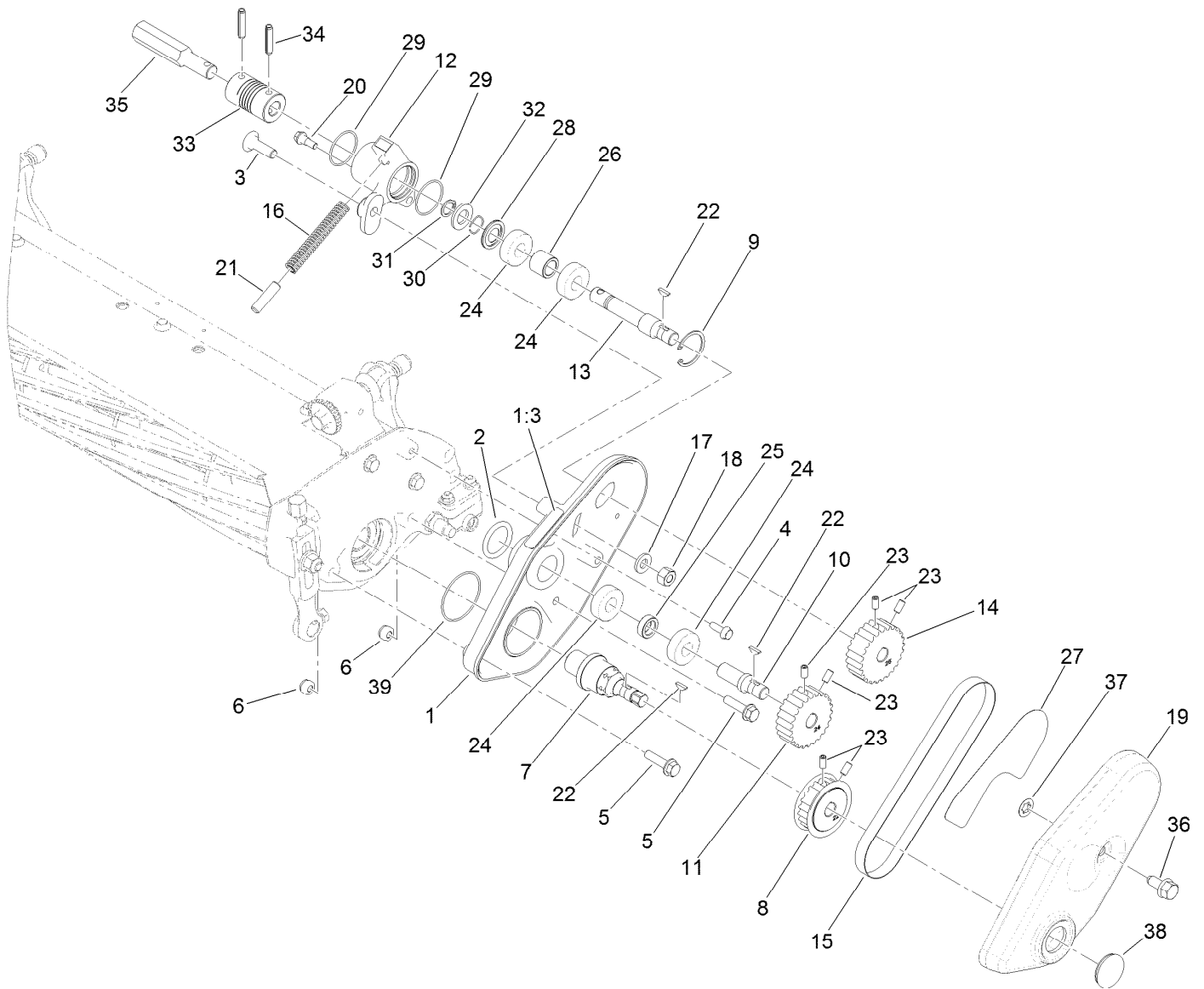
<i>Ref.</i>	<i>Part Number</i>	<i>Qty.</i>	<i>Description</i>
1	251-347	2	Bearing-Ball
2	99-3841	1	Roller-Full, Aluminum ●
3	108-3151	2	Nut-Lock, Bearing
4	119-4090	1	Shaft-Roller
5	106-6941	2	Seal
6	106-6942	2	V-Ring

● Roller Rebuild Kit 107-1594 available for this roller.



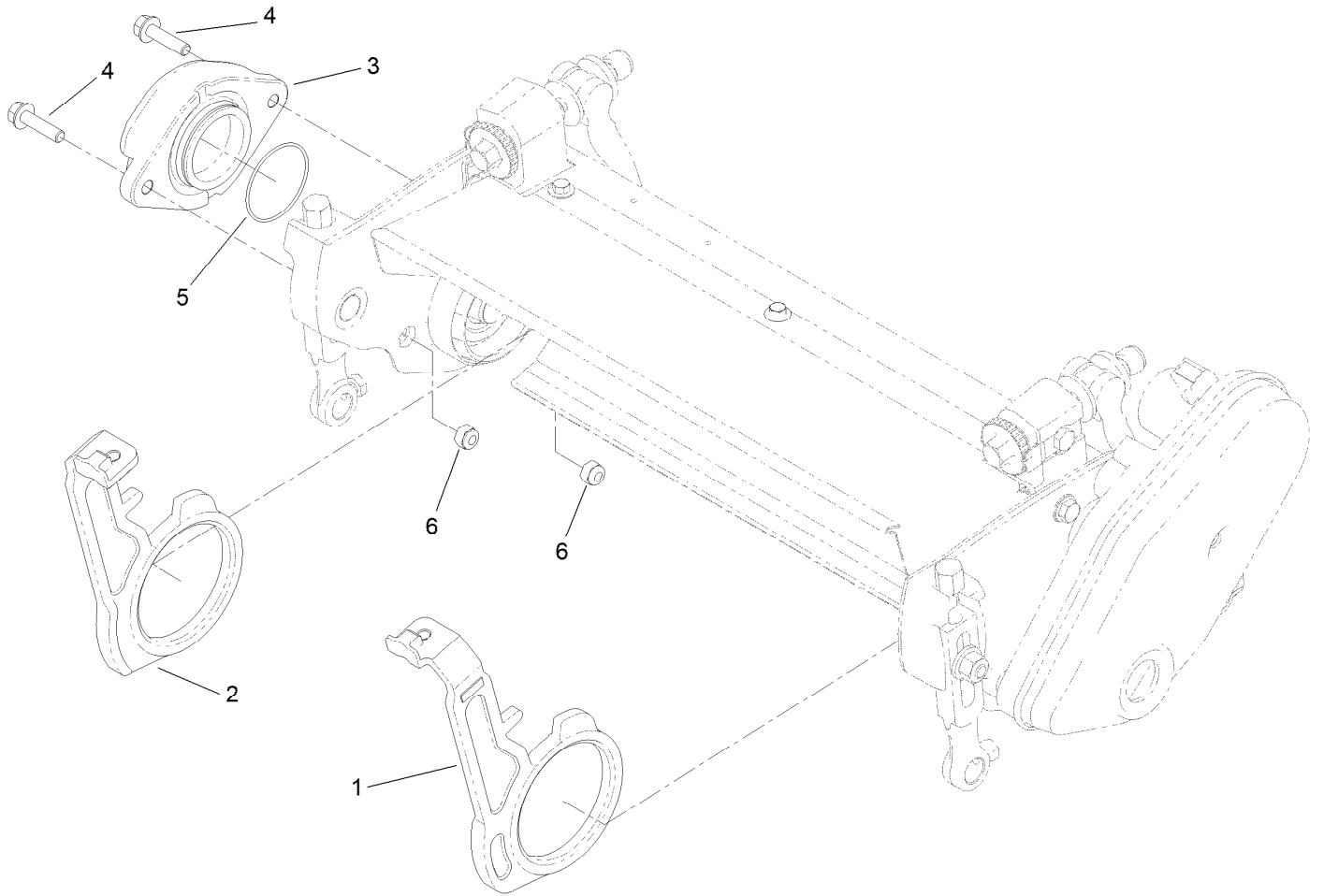
Roller Seal Rebuild Kit Assembly No. 107-1594

<i>Ref.</i>	<i>Part Number</i>	<i>Qty.</i>	<i>Description</i>
1	251-347	2	Bearing-Ball
3	106-6941	2	Seal
4	106-6942	2	V-Ring
5	107-8133	2	Washer-Flat
6	107-3505	2	Spacer-Tool, Roller
7	104-6126	2	Washer-Flat



Drive Assembly

Ref.	Part Number	Qty.	Description	Ref.	Part Number	Qty.	Description
1	119-4032	1	Reel Housing ASM	20	119-4161	1	Bolt-Shoulder
1:3	120-9570	1	Decal-Warning	21	115-7279	1	Pin-Guide, Spring
2	119-4077	1	O-Ring	22	937218	3	Key-Hipro
3	119-4162	1	Screw-CARR	23	3245-9	6	Screw-Set, HSH
4	131-6150	1	Screw-HWHTF	24	115-6869	4	Bearing-Ball, Stainless
5	119-4036	2	Screw-HHF	25	121-4658	1	Spacer
6	119-4038	2	Nut-Hex	26	119-4076	1	Spacer-Bearing
7	120-9707	1	Shaft-Drive, Reel	27	131-1820	1	Decal-Clip
8	121-4722	1	Pulley-Reel, 22 Tooth	28	115-6923	1	Shield-Bearing, Flocked
9	32151-34	1	Ring-Retaining	29	107-9455	2	O-Ring
10	120-9706	1	Shaft-Idler, Reel	30	115-7143	1	Spring-Wave
11	121-4724	1	Pulley-Reel, 24 Tooth	31	115-6755	1	Ring-Retaining
12	132-6998	1	Housing-Bearing	32	115-7144	1	Washer-Flat
13	131-3173	1	Shaft-Input, Reel	33	133-2341	1	Coupling-Helical
14	121-4725	1	Pulley-Reel, 25 Tooth	34	32121-9	2	Pin-Roll, Slotted
15	99-2022	1	Belt	35	131-3168	1	Shaft-Hex, Reel
16	115-6881	1	Spring-Compression	36	115-7108	1	Screw-HHF
17	115-7293	1	Washer-Hardened	37	107-3154	1	Nut-Push
18	115-7193	1	Nut-HOC	38	115-7288	1	Plug
19	119-4163	1	Cover-Reel	39	360-0398	1	O-Ring



Pitch Arm and Weight Assembly

<i>Ref.</i>	<i>Part Number</i>	<i>Qty.</i>	<i>Description</i>
1	133-8750-01	1	Arm-Pitch, LH
2	133-8751-01	1	Arm-Pitch, RH
3	119-4052-03	1	Weight-Unit, Cutting
4	119-4036	2	Screw-HHF
5	360-0398	1	O-Ring
6	119-4038	2	Nut-Hex

Attachments and Accessories

For 04290 21in 11-Blade Cutting Unit Greensmaster Flex/eFlex 2120 Traction Unit

Product Name	Model/Part
21in Twin Tip Groomer Reel	04802
Blade-Groomer.....	132-4626
Split Full Front Roller	04249
Split Narrow Wiehle Roller	04250
Narrow Wiehle Roller (Qty 1)	04255
Wide Wiehle Roller (Qty 1)	04256
Front Full Smooth Roller (Qty 1)	04257
Extended Narrow Wiehle Roller (Qty 1)	04258
Paspalum Wiehle Roller (Qty 1).....	04267
Narrow Wiehle Steel Roller Asm.....	107-3510
Wide Wiehle Steel Roller Asm	107-3514
Narrow Wiehle Roller Kit.....	115-7360
Wide Wiehle Roller Kit	115-7386
Front Full Smooth Roller Kit.....	115-7388
Extended Wiehle Roller Kit	121-4675
Paspalum Wiehle Roller	121-9535
Cast Iron Wiehle Roller (Qty 1)	71-1550
Front Brush for Narrow Wiehle Roller (Qty 1).....	115-7377
Front Brush for Wide Wiehle Roller (Qty 1)	115-7378
Front Brush for Full Roller (Qty 1)	115-7379
Front Comb for Narrow Wiehle Roller (Qty 1).....	115-7380
Front Comb for Wide Wiehle Roller (Qty 1)	115-7381
Front Comb for Full Roller (Qty 1)	115-7382
Front Scraper for Narrow Wiehle Roller (Qty 1).....	125-3503
Front Scraper for Wide Wiehle Roller (Qty 1)	125-3504
Front Scraper for Full Roller (Qty 1)	125-3505
Steel Roller Asm	107-3509
Rear Full Roller Kit (Aluminum).....	115-7356
Steel Rear Full Roller (Qty 1)	120-9595
Rear Roller Scraper Kit with Roller.....	115-7383
Rear Roller Scraper (Qty 1)	121-2260
Steel Roller (Qty 1)	04628
RRB Adapter Kit	132-0723
Flex Groomer Drive, Forward Rotating	04259
Flex Groomer Drive, Counter Rotating.....	04260
Universal Groomer Drive Kit	04648
21in Soft Grooming Brush.....	04270
21in Stiff Grooming Brush.....	04271
21in Soft Grooming Brush, DPA.....	04274
21in Stiff Grooming Brush, DPA.....	04275
21in Spring Steel Groomer Reel	04283
21in Carbide Groomer Reel	04284
21in Brush Groomer Reel	04285
Left-Hand Carbide Grooming Reel	04708
Carbide Grooming Reel	04711

Attachments and Accessories (continued)

Steel Grooming Reel	04712
Groomer Brush	04713
21in Thin Blade Groomer Reel	04741
21in Spring Steel Thin Blade Groomer Reel	04744
21in Soft Grooming Brush Kit.....	127-1547
21in Stiff Grooming Brush Kit.....	127-1548
Toro Reel Paper (10 Pack).....	125-5610
Toro Reel Shim (0.002in)	125-5611
Roller Extension Kit	115-7361
High Height-of-Cut Arms (Qty 1).....	120-9600
Rear Roller Adjustment (Qty 1).....	120-9602
Groomer Quick Up Kit.....	127-6119
Angle Indicator.....	131-6828
Angle Indicator Mount.....	131-6829
Bedbar	106-2648-01
Bedbar-Aggressive	99-3794-03
Bedknife-Tournament, Extended	108-4302
Bedknife-Microcut, Extended.....	108-4303
Bedknife-Edgemax, Microcut.....	115-1880
Bedknife-Edgemax, Tournament Cut.....	115-1881
Bedknife-Microcut.....	93-4262
Bedknife-Tournament Cut.....	93-4263
Bedknife-Low Cut	93-4264
21 Inch 8 Blade Low Drag Reel ASM	132-7340
21 Inch 11 Blade Low Drag Reel ASM	132-7341
21 Inch 14 Blade Low Drag Reel ASM	132-7342
Blade-Groomer, Helix	110-2333
Blade-Groomer, Thin (Carbide)	121-9531
Out-Front Brush Kit.....	04266
Roller Seal Replacement (Qty 1)	107-1594
MVP Kit, Cutting Unit Re-Build.....	121-2637
MVP Kit, Forward Rotating Groomer Re-Build	121-9517
Turf Evaluator	04399
Height-of-Cut Bar.....	94-9010

Notes:

Notes:

Notes:



Count on it.