



**Count on it.**

**Parts Catalog**

**Sentinel Controller Series**

Model No. SENTINEL V3 SERIES



# Ordering Replacement Parts

To order replacement parts, please supply the part number, the quantity, and the description of each part desired.

## Understanding Reference Numbers

Each identified part in an illustration has a reference number. The reference number for a part also appears in the parts list, along with other information about the part.

This catalog uses two special reference number formats, one to indicate parts in a service assembly and another to indicate the quantity of a given part in an illustration.

## Service Assembly Reference Numbers

Parts in service assemblies have reference numbers in the form a:b. The a represents the reference number of the entire service assembly and the b represents a sequential number unique to each part within the service assembly.

For example, a wheel assembly might be identified by reference number 6, the tire by 6:1, the valve by 6:2, and the wheel by 6:3. When you order the assembly identified by reference number 6, you receive all parts identified by reference numbers 6:1, 6:2, and 6:3. However, you may also order any part individually. Reference numbers of this type appear in illustration and in parts lists.

## Reference Numbers Indicating Quantity

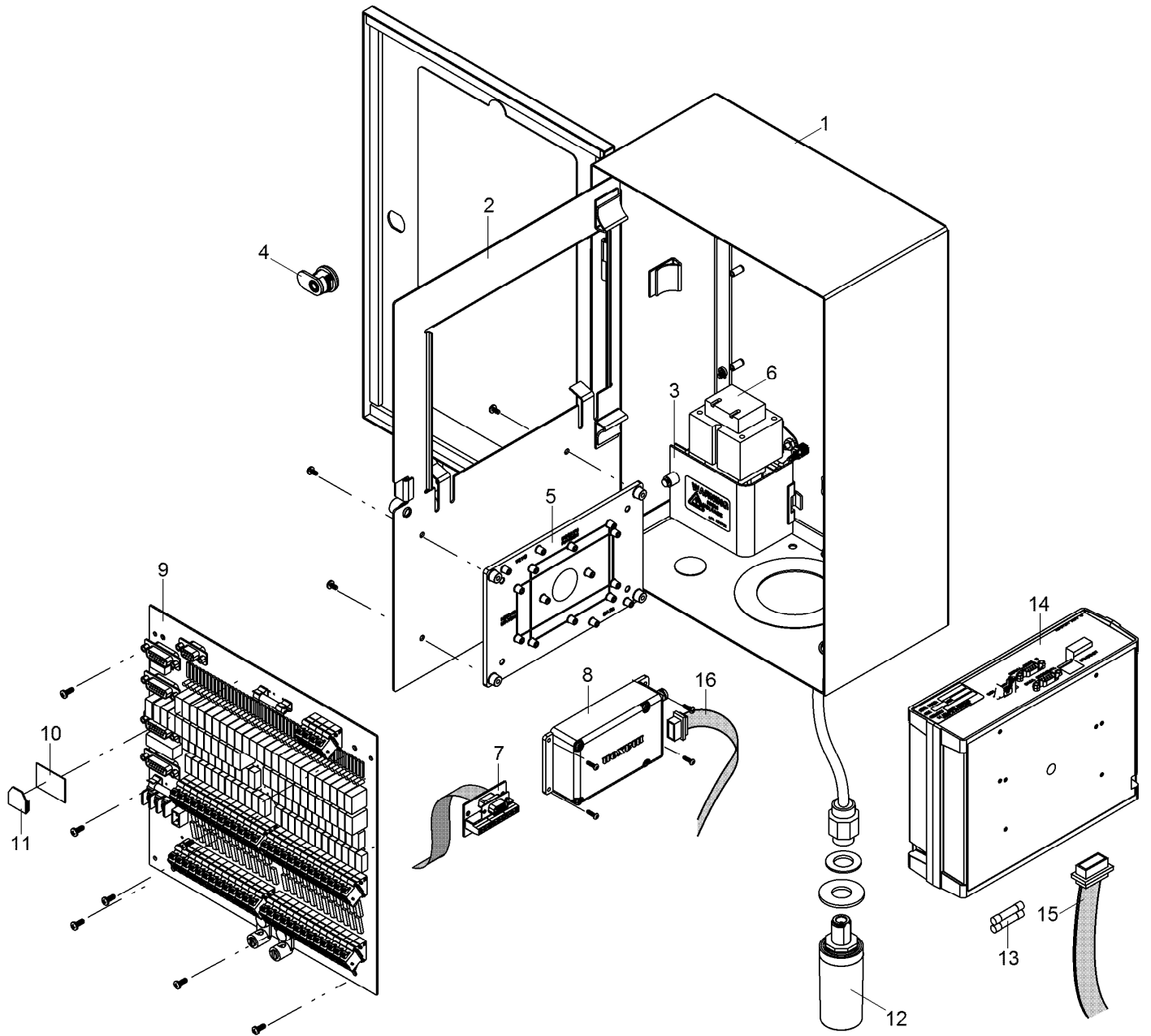
In an illustration, if a reference number indicates more than one part, the reference number has the form nX y. The n represents the quantity of the part, the X is the multiplication symbol, and the y represents the reference number.

For example, in an illustration, the reference number 2X 37 means that two of the parts identified by reference number 37 are indicated.

# Contents

Sentinel WS1, Conventional and Wireless Models .....	4
Sentinel WS3, Conventional and No Keypad Models .....	6
Sentinel WS5, Conventional and Wireless Models .....	8
Sentinel PS1, Conventional and Wireless Models .....	10
Sentinel PP1, PP2 and PP3 .....	12
Sentinel V3 Control Module .....	14
Sentinel 2-Wire Decoder .....	16

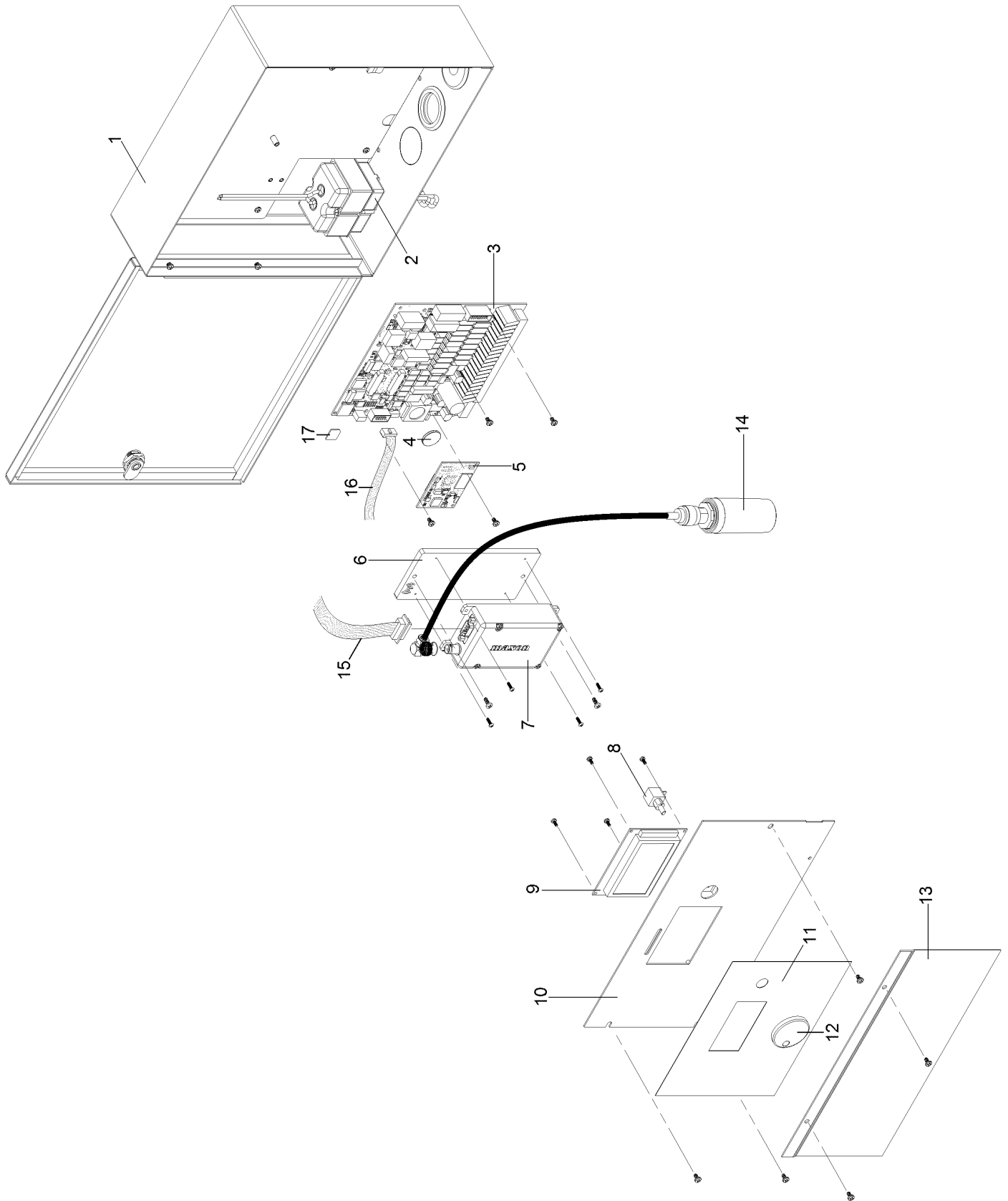
# Sentinel WS1, Conventional and Wireless Models



# Sentinel WS1, Conventional and Wireless Models (continued)

<i>Ref.</i>	<i>Part Number</i>	<i>Qty.</i>	<i>Description</i>	<i>Ref.</i>	<i>Part Number</i>	<i>Qty.</i>	<i>Description</i>
1	118-6025	1	Cabinet Assembly	10	118-3109	1	Sentinel Wob Module, Slave (Wireless Models Only)
2	118-6030	1	Inner Door	11	364-1790	1	Mod, Xbee (Wireless Models Only)
3	118-6026	1	Transformer Cover	12	SB-ANT-ATX4	1	450-470 Mhz High Profile, Omnidirectional Uhf Antenna
4	363-1414	1	Lock	13	363-9987	2	Small Fuse, 2 Amp, Slow-Blow
5	118-3066	1	Universal Radio Mounting Plate	14	118-2724SK	1	Sentinel Control Module Kit, 12-Station
6	102-3534	1	Transformer, 120 V A.C.	14	118-2725SK	1	Sentinel Control Module Kit, 24-Station
7	SB-DRCA	1	Data Retrieval Assembly W/ Terminal Block (Includes 118-3767)	14	118-2726SK	1	Sentinel Control Module Kit, 36-Station
8	SB-RAD-MAX125	1	Maxon 125 Uhf, (Includes Data Cable, Universal Mounting Plate And Screws)	14	118-2727SK	1	Sentinel Control Module Kit, 48-Station
9	S-121	1	Large 12-Station Conventional Output Board	14	118-3105SK	1	Sentinel Control Module Kit, Wireless (Xbee)
9	S-241	1	Large 24-Station Conventional Output Board	14	118-5303	1	Sentinel Control Module Kit, No Keypad, 12-Station
9	S-361	1	Large 36-Station Conventional Output Board	14	118-5304	1	Sentinel Control Module Kit, No Keypad, 24-Station
9	S-481	1	Large 48-Station Conventional Output Board	14	118-5305	1	Sentinel Control Module Kit, No Keypad, 36-Station
9	W121-XB	1	Large 12-Station Short-Range (Xbee) Wireless Output Board	14	118-5306	1	Sentinel Control Module Kit, No Keypad, 48-Station
9	W241-XB	1	Large 24-Station Short-Range (Xbee) Wireless Output Board	15	102-5865	4	Station Cable Assy., 17 Inch
9	W361-XB	1	Large 36-Station Short-Range (Xbee) Wireless Output Board	16	102-5868	1	Data Retrieval Cable Assy.
9	W481-XB	1	Large 48-Station Short-Range (Xbee) Wireless Output Board				

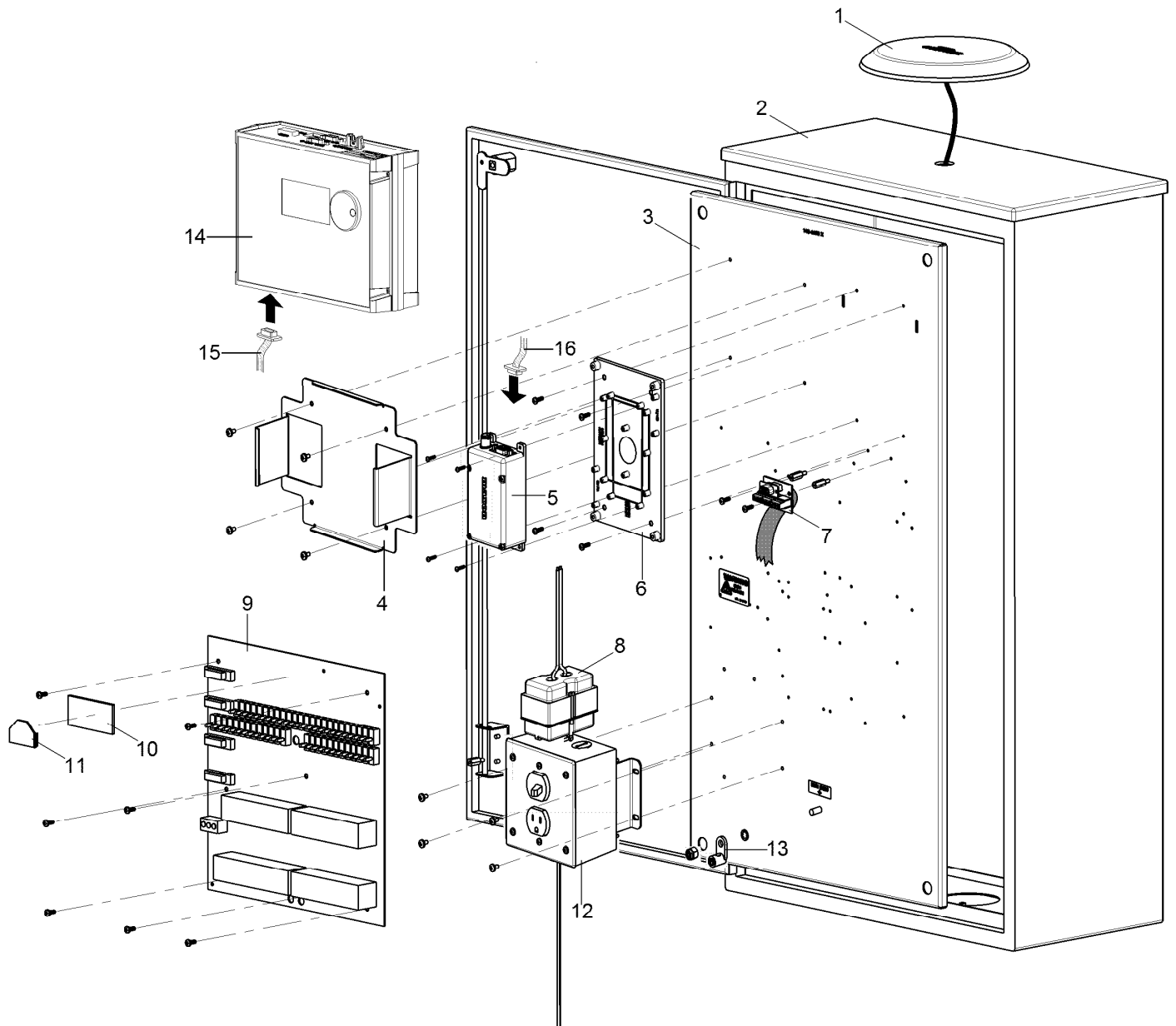
# Sentinel WS3, Conventional and No Keypad Models



# Sentinel WS3, Conventional and No Keypad Models (continued)

<i>Ref.</i>	<i>Part Number</i>	<i>Qty.</i>	<i>Description</i>	<i>Ref.</i>	<i>Part Number</i>	<i>Qty.</i>	<i>Description</i>
1	118-3785	1	Cabinet Assembly	8	364-0341	1	Encoder, Rotary, Optical
2	615901-H	1	Transformer, 120 V A.C.	9	118-1724	1	Sentinel Display Adapter
3	118-2853SK	1	Sentinel 9-Station Control Module Board	10	118-5211	1	Upper Panel
3	118-2854SK	1	Sentinel 12-Station Control Module Board	11	118-2735	1	Keypad Overlay
3	118-2855SK	1	Sentinel 18-Station Control Module Board	12	364-1771	1	Plastic Knob
4	363-8154	1	Lithium Coin Battery, 2032	13	118-5212	1	Lower Panel
5	118-3674	1	Micro Board Assy.	14	SB-ANT-ATX4	1	450-470 Mhz High Profile, Omnidirectional Uhf Antenna
6	118-4353	1	Universal Radio Mounting Plate	15	102-5868	1	Data Retrieval Cable Assy.
7	SB-RAD-MAX125	1	Maxon 125 Uhf, (Includes Data Cable, Universal Mounting Plate And Screws)	16	102-5865	1	Station Cable Assy., 17 Inch
				17	363-6624	1	1 Gb Sd Card

# Sentinel WS5, Conventional and Wireless Models

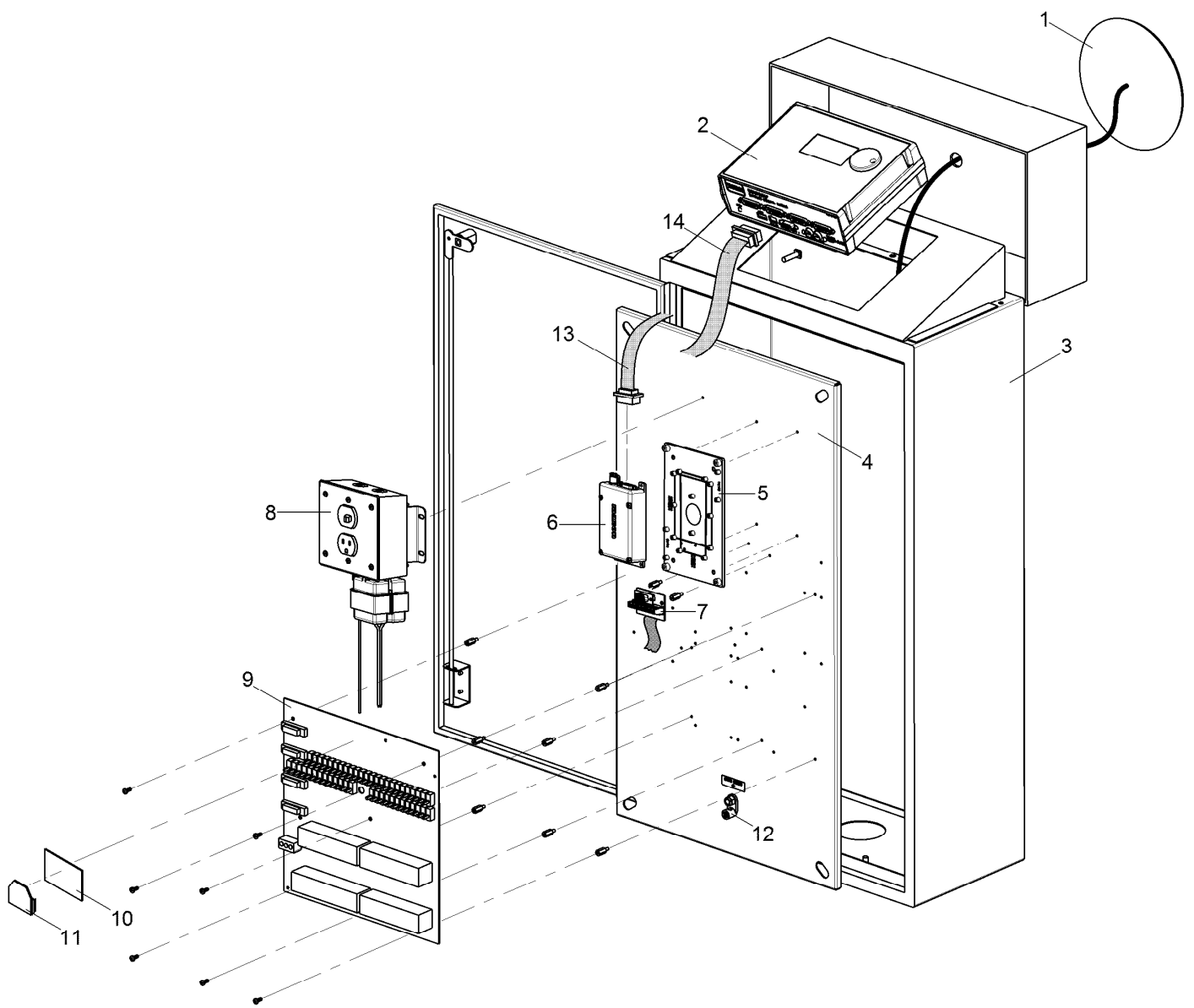




# Sentinel WS5, Conventional and Wireless Models (continued)

<i>Ref.</i>	<i>Part Number</i>	<i>Qty.</i>	<i>Description</i>	<i>Ref.</i>	<i>Part Number</i>	<i>Qty.</i>	<i>Description</i>
1	SB-ANT-VRA4	1	450-470 Mhz Low Profile, Omnidirectional Uhf Antenna	9	W241-XB	1	Large 24-Station Short-Range (Xbee) Wireless Output Board
2	363-6193	1	Ws5 Enclosure	9	W361-XB	1	Large 36-Station Short-Range (Xbee) Wireless Output Board
3	118-4170	1	Back Plate, Ws5	9	W481-XB	1	Large 48-Station Short-Range (Xbee) Wireless Output Board
4	118-4198	1	Mounting Bracket, Timing Mechanism	10	118-3109	1	Sentinel Wob Module, Slave (Wireless Models Only)
5	SB-RAD-MAX125	1	Maxon 125 Uhf, (Includes Data Cable, Universal Mounting Plate And Screws)	11	364-1790	1	Mod, Xbee (Wireless Models Only)
6	118-3066	1	Universal Radio Mounting Plate	12	118-4291	1	Junction Box Assembly
7	SB-DRCA	1	Data Retrieval Assembly W/ Terminal Block (Includes 118-3767)	13	363-8639	1	Ground Lug
8	102-2369	1	Power Transformer, 115/24 V A.C., 50 Va	14	118-2712SK	1	Control Module, 12-Station
9	S-121	1	Large 12-Station Conventional Output Board	14	118-2724SK	1	Control Module, 24-Station
9	S-241	1	Large 24-Station Conventional Output Board	14	118-2736SK	1	Control Module, 36-Station
9	S-361	1	Large 36-Station Conventional Output Board	14	118-2748SK	1	Control Module, 48-Station
9	S-481	1	Large 48-Station Conventional Output Board	14	118-3105SK	1	Sentinel Control Module Kit, Wireless (Xbee)
9	W121-XB	1	Large 12-Station Short-Range (Xbee) Wireless Output Board	15	102-5865	4	Station Cable Assy., 17 Inch
				16	102-5868	1	Data Retrieval Cable Assy.

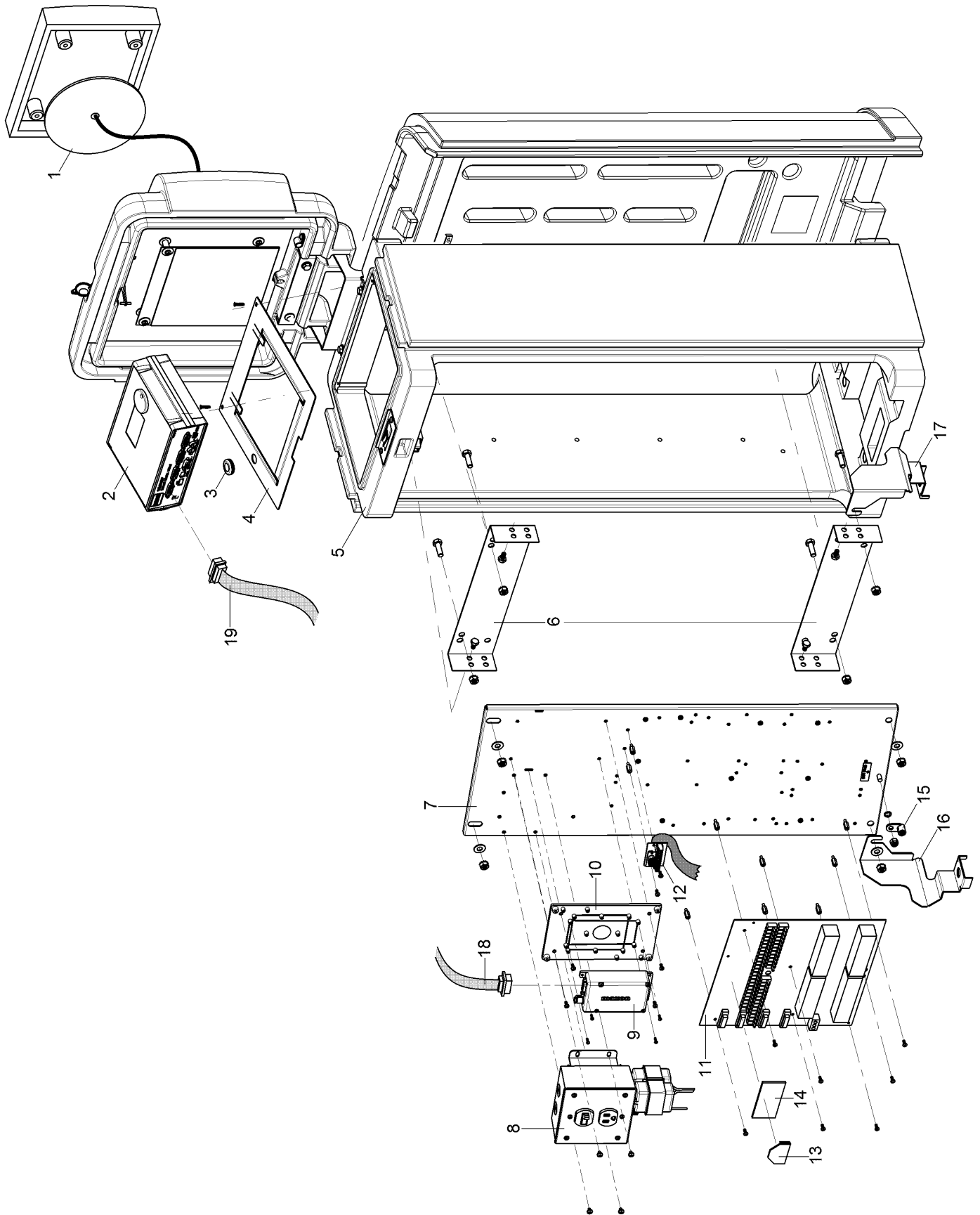
# Sentinel PS1, Conventional and Wireless Models



# Sentinel PS1, Conventional and Wireless Models (continued)

<i>Ref.</i>	<i>Part Number</i>	<i>Qty.</i>	<i>Description</i>	<i>Ref.</i>	<i>Part Number</i>	<i>Qty.</i>	<i>Description</i>
1	SB-ANT-VRA4	1	450-470 Mhz Low Profile, Omnidirectional Uhf Antenna	9	S-241	1	Large 24-Station Conventional Output Board
2	118-2724SK	1	Sentinel Control Module Kit, 12-Station	9	S-361	1	Large 36-Station Conventional Output Board
2	118-2725SK	1	Sentinel Control Module Kit, 24-Station	9	S-481	1	Large 48-Station Conventional Output Board
2	118-2726SK	1	Sentinel Control Module Kit, 36-Station	9	W121-XB	1	Large 12-Station Short-Range (Xbee) Wireless Output Board
2	118-2727SK	1	Sentinel Control Module Kit, 48-Station	9	W241-XB	1	Large 24-Station Short-Range (Xbee) Wireless Output Board
2	118-3105SK	1	Sentinel Control Module Kit, Wireless (Xbee)	9	W361-XB	1	Large 36-Station Short-Range (Xbee) Wireless Output Board
3	363-6194	1	Ps1 Enclosure	9	W481-XB	1	Large 48-Station Short-Range (Xbee) Wireless Output Board
4	118-4516	1	Back Plate, Ps1	10	118-3109	1	Sentinel Wob Module, Slave (Wireless Models Only)
5	118-3066	1	Universal Radio Mounting Plate	11	364-1790	1	Mod, Xbee (Wireless Models Only)
6	SB-RAD-MAX125	1	Maxon 125 Uhf, (Includes Data Cable, Universal Mounting Plate And Screws)	12	363-8639	1	Ground Lug
7	SB-DRCA	1	Data Retrieval Assembly W/ Terminal Block (Includes 118-3767)	13	102-5868	1	Data Retrieval Cable Assy.
8	118-4320	1	Power Supply Junction Box Assy.	14	102-5865	4	Station Cable, 17 Inch
9	S-121	1	Large 12-Station Conventional Output Board				

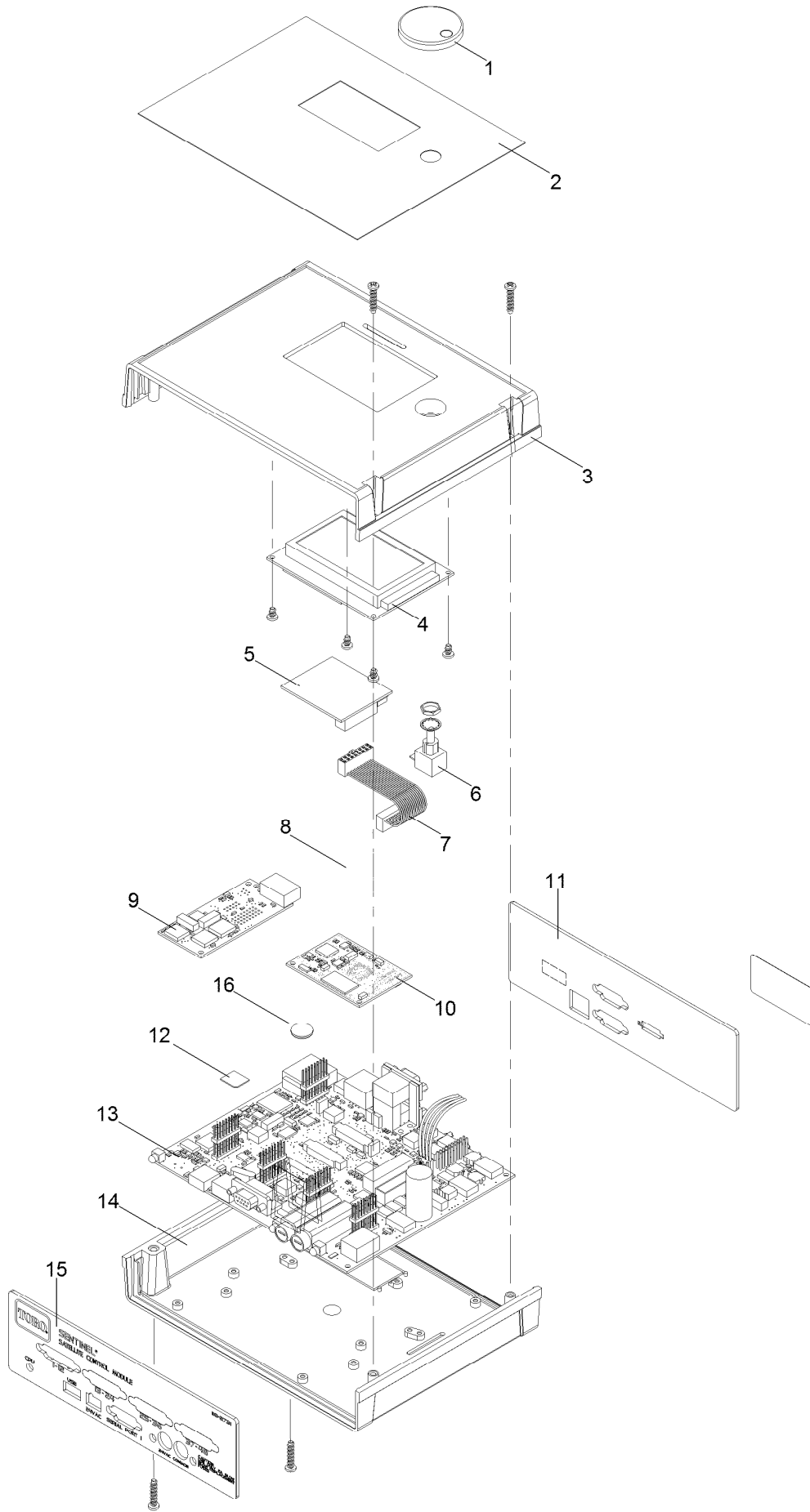
# Sentinel PP1, PP2 and PP3



## Sentinel PP1, PP2 and PP3 (continued)

<i>Ref.</i>	<i>Part Number</i>	<i>Qty.</i>	<i>Description</i>	<i>Ref.</i>	<i>Part Number</i>	<i>Qty.</i>	<i>Description</i>
1	SB-ANT-VRA4	1	450-470 Mhz Low Profile, Omnidirectional Uhf Antenna	11	S-241	1	Large 24-Station Conventional Output Board
2	118-2724SK	1	Sentinel Control Module Kit, 12-Station	11	S-361	1	Large 36-Station Conventional Output Board
2	118-2725SK	1	Sentinel Control Module Kit, 24-Station	11	S-481	1	Large 48-Station Conventional Output Board
2	118-2726SK	1	Sentinel Control Module Kit, 36-Station	11	W121-XB	1	Large 12-Station Short-Range (Xbee) Wireless Output Board
2	118-2727SK	1	Sentinel Control Module Kit, 48-Station	11	W241-XB	1	Large 24-Station Short-Range (Xbee) Wireless Output Board
2	118-3105SK	1	Sentinel Control Module Kit, Wireless (Xbee)	11	W361-XB	1	Large 36-Station Short-Range (Xbee) Wireless Output Board
3	363-4419	1	Rubber Grommit	11	W481-XB	1	Large 48-Station Short-Range (Xbee) Wireless Output Board
4	118-4337	1	Top Tray	12	SB-DRCA	1	Data Retrieval Assembly W/ Terminal Block (Includes 118-3767)
5	118-0828	1	Plastic Pedestal Assembly (See Plastic Pedestal Parts Breakout)	13	364-1790	1	Mod, Xbee (Wireless Models Only)
6	118-1015	2	Bracket	14	118-3109	1	Sentinel Wob Module, Slave (Wireless Models Only)
7	118-3086	1	Backplate, Bare	15	363-8639	1	Ground Lug
8	118-4320	1	Power Supply Junction Box Assy.	16	102-3073	1	Foot Support Bracket
8	118-4403	1	Power Supply Junction Box Assy., 100Va	17	102-3072	1	Foot Mount Bracket
9		1	Maxon 125 Uhf, (Includes Data Cable, Universal Mounting Plate And Screws)	18	102-5868	1	Data Retrieval Cable Assy.
	SB-RAD-MAX125			19	102-5865	4	Station Cable, 17 Inch
10	118-3066	1	Universal Radio Mounting Plate				
11	S-121	1	Large 12-Station Conventional Output Board				

# Sentinel V3 Control Module

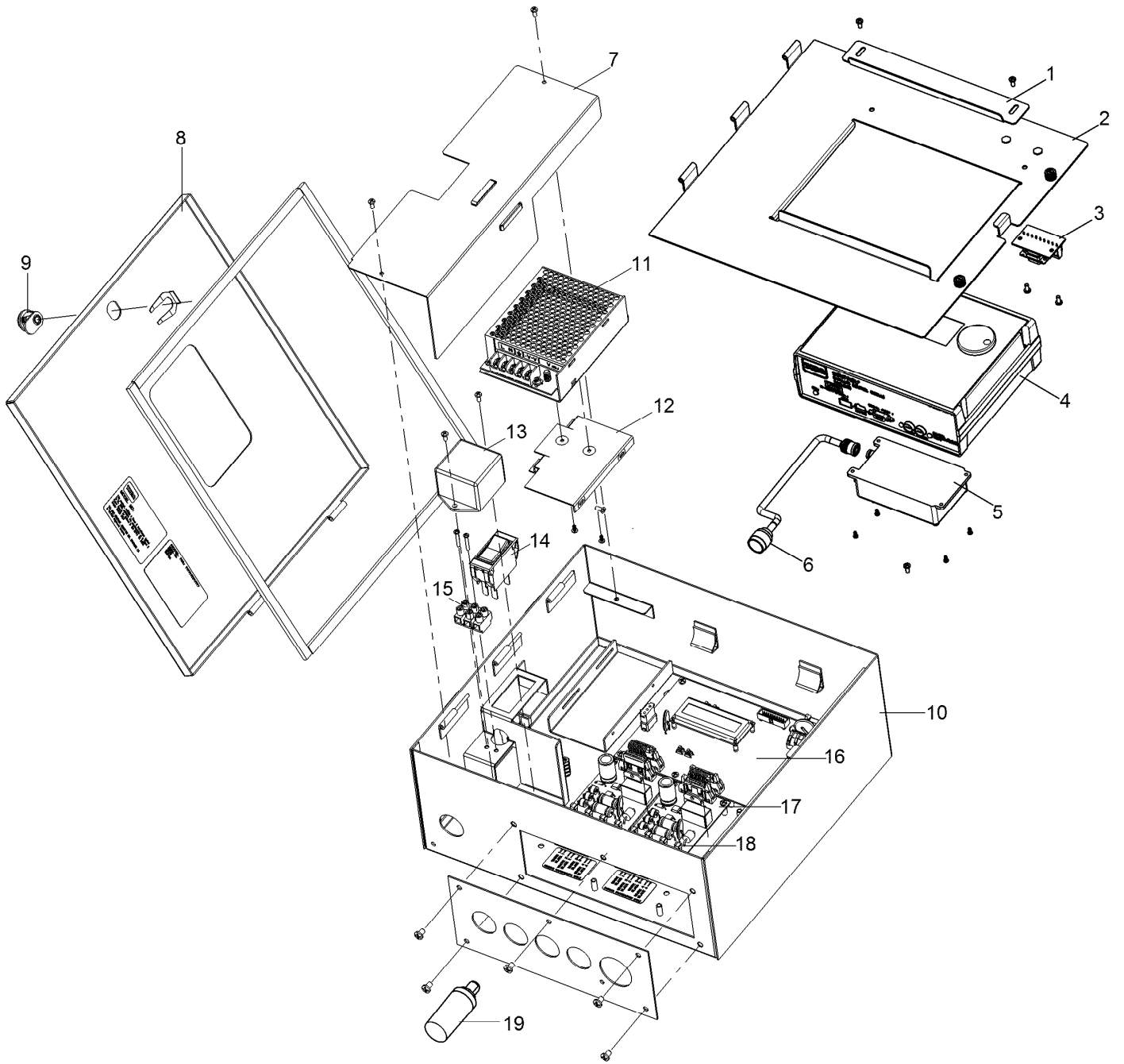


## Sentinel V3 Control Module (continued)

<i>Ref.</i>	<i>Part Number</i>	<i>Qty.</i>	<i>Description</i>	<i>Ref.</i>	<i>Part Number</i>	<i>Qty.</i>	<i>Description</i>
1	364-1771	1	Plastic Knob	8	118-0938	1	Station Output Board
2	118-2735	1	Keypad Overlay	9	118-1726	1	Radio Adapter
3	118-2733	1	Top Case	10	118-3674	1	Micro Board Assy.
4	118-1724	1	Sentinel Display Adapter (Includes Item 5)	11	118-2734	1	Rear Panel
5		1	Display Adapter Board (Included With Item 4)●	12	363-6624	1	1 Gb Sd Card
6	364-0341	1	Encoder, Rotary, Optical	13	118-1431	1	Control Module Main Board
7	364-1135	1	Station Cable	14	118-2732	1	Bottom Case
				15	118-2731	1	Front Panel
				16	363-8154	1	Lithium Coin Battery, 2032

● Not serviced separately

# Sentinel 2-Wire Decoder





## Sentinel 2-Wire Decoder (continued)

<i>Ref.</i>	<i>Part Number</i>	<i>Qty.</i>	<i>Description</i>	<i>Ref.</i>	<i>Part Number</i>	<i>Qty.</i>	<i>Description</i>
1	102-3424	1	Upper Bracket, Tm	11	118-0540	1	Power Supply, AC/Dc, Gateway, Decoder
2	102-5049	1	Panel, Gateway, Decoder (Stand-Alone Models Only)	12	118-0475	1	Power Supply Bracket, Upper
3	SB-DRCA	1	Data Retrieval Assembly W/ Terminal Block (Includes 118-3767)	13	102-9741	1	Ttf, Filter Assembly
4	118-3106SK	1	Sentinel 2-Wire Timing Mechanism	14	363-3361	1	Switch, Circuit Breaker, 1.5A
5	SB-RAD-MAX125	1	Maxon 125 Uhf, (Includes Data Cable, Universal Mounting Plate And Screws)	15	363-8650	1	Terminal Block, 3-Position
6	102-5739	1	Antenna Wire	16	118-0582	1	Motherboard Assembly With Tricomm, Gateway, Decoder
7	118-0496	1	Power Supply Cover, Gateway, Decoder	17	102-7693SK	1	Pcb Assy., Gateway Daughterboard
8	102-5048SK	1	Door, Gateway Decoder	18	363-8506	1	Fuse, 5 X 20Mm, Fast, 3.15A, 250V
9	363-3785	1	Lock Assy. W/Keys	19	SB-ANT-ATX4	1	450-470 Mhz High Profile, Omnidirectional Uhf Antenna
10	102-5047SK	1	Cabinet, Gateway Decoder				

**Notes:**

**Notes:**



**Count on it.**