



Count on it.

Parts Catalog

**CT2240 Compact Triple 4-Wheel
Drive Turf Mower**

Model No. 30654—Serial No. 316000001 and Up



Ordering Replacement Parts

To order replacement parts, please supply the part number, the quantity, and the description of each part desired.

Understanding Reference Numbers

Each identified part in an illustration has a reference number. The reference number for a part also appears in the parts list, along with other information about the part.

This catalog uses two special reference number formats, one to indicate parts in a service assembly and another to indicate the quantity of a given part in an illustration.

Service Assembly Reference Numbers

Parts in service assemblies have reference numbers in the form a:b. The a represents the reference number of the entire service assembly and the b represents a sequential number unique to each part within the service assembly.

For example, a wheel assembly might be identified by reference number 6, the tire by 6:1, the valve by 6:2, and the wheel by 6:3. When you order the assembly identified by reference number 6, you receive all parts identified by reference numbers 6:1, 6:2, and 6:3. However, you may also order any part individually. Reference numbers of this type appear in illustration and in parts lists.

Reference Numbers Indicating Quantity

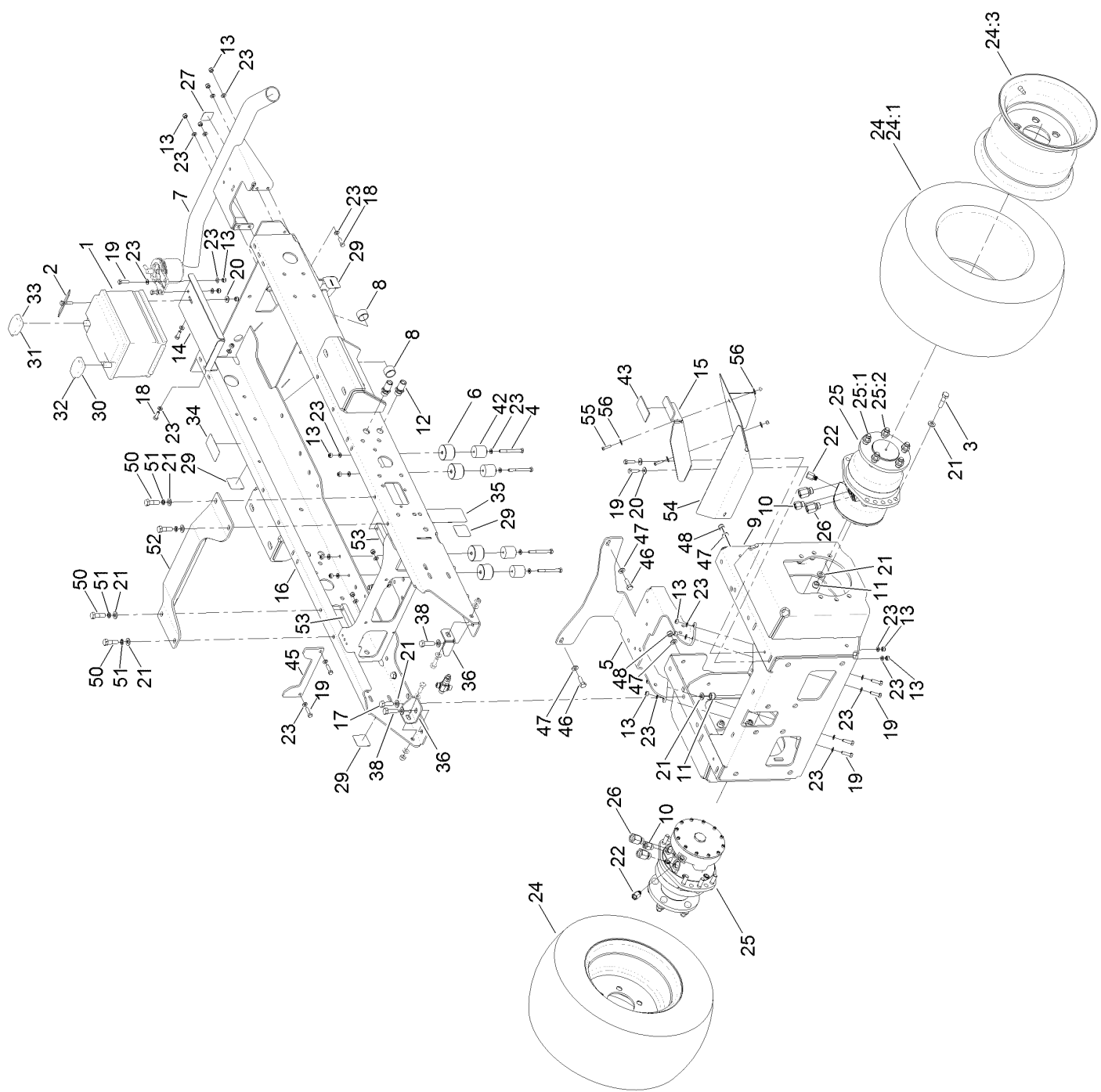
In an illustration, if a reference number indicates more than one part, the reference number has the form nX y. The n represents the quantity of the part, the X is the multiplication symbol, and the y represents the reference number.

For example, in an illustration, the reference number 2X 37 means that two of the parts identified by reference number 37 are indicated.

Contents

Main Frame, Chassis, Front Wheel and Battery Assembly	4
Engine and Mounting Assembly	6
Radiator and Shroud Assembly	8
Rear Axle Assembly	10
Steering Column, Seat and Platform Assembly	12
Pedal Control Assembly	14
Fuel Tank and Storage Pod Assembly	16
Hood Assembly	18
Front Lift Arm Assembly	20
Center Arm Assembly	22
Roll-Over Protection System Assembly	24
Hydraulic Oil Tank Assembly	26
Hydraulic Transimission Manifold Assembly	28
Transmission and Tandem Pump Assembly	30
Rear Transmission Block Assembly	32
Filter Assembly	34
Cutter Component Assembly	36
Loom Kit	38
Electrical Assembly	40
Cutter Control Manifold Assembly	42
Transmission Hydraulic Circuit Assembly	44
Lift/Steer Hydraulic Circuit Assembly	46
Crankcase Assembly	48
Oil Pan, Pump and Dipstick Assembly	49
Cylinder Head Assembly	50
Gear Case and Oil Filter Cartridge Assembly	51
Cylinder Head Cover Assembly	52
Main Bearing Case Assembly	53
Camshaft and Idle Gear Shaft Assembly	54
Piston and Crankshaft Assembly	55
Flywheel Assembly	56
Fuel Camshaft and Governor Shaft Assembly	57
Idle Apparatus and Stop Solenoid Assembly	58
Injection Pump and Fuel Pump Assembly	59
Governor Assembly	60
Speed Control Plate Assembly	61
Nozzle Holder and Glow Plug Assembly	62
Nozzle Holder Assembly	63
Alternator and Pulley Assembly	64
Alternator Components Assembly	65
Starter Assembly	66
Starter Component Assembly	67
Water Flange and Thermostat Assembly	68
Water Pump and Water Pipe Assembly	69
Valve and Rocker Arm Assembly	70
Inlet and Exhaust Manifold Assembly	71
Miscellaneous Engine Parts	72
Muffler Assembly	73
Fuel Filter Assembly	74
Attachments and Accessories	75

Main Frame, Chassis, Front Wheel and Battery Assembly



Main Frame, Chassis, Front Wheel and Battery Assembly (continued)

<i>Ref.</i>	<i>Part Number</i>	<i>Qty.</i>	<i>Description</i>	<i>Ref.</i>	<i>Part Number</i>	<i>Qty.</i>	<i>Description</i>
1	70-09-015	1	Battery	25:1	111-7059	5	Stud-Wheel
2	70-01-340	1	Retainer-Battery	25:2	74-07-016	5	Nut
3	09552	12	Screw-HH	26	111-3529	4	Adaptor
4	ZBH1H080U	4	Bolt	27	70-13-072	1	Decal
5	111-6791-03	1	Bracket-Manifold, Cutter	29	950832	4	Decal
6	111-5305	4	Bump-Stop	30	70-09-171	1	Terminal-Positive
7	111-3110-03	1	Bumper-Rear	31	70-09-172	1	Terminal-Negative
8	65-07-051	2	Bushing	32	111-3690	1	Cable-Battery, Positive
9	111-7284-03	1	Chassis-Front	33	70-09-170	1	Cable-Battery, Negative
10	111-3509	2	Adaptor	34	950889	1	Decal-Warning
11	ZNN1L000U	18	Nut-Nyloc	35	111-3901	1	Decal-Transmission, Oil
12	09-06-216	2	Adaptor-Bulkhead	36	111-9529	2	Plate-Securing
13	09441	21	Nut-Hex, NI	38	ZDH1L040U	2	Screw-HH
14	111-2599-03	1	Plate-Mount, Battery	42	61-07-003	4	Buffer-Rubber
15	111-3217-03	1	Support-Platform, Front (LH)	43	HY910808	1	Strip-Neoprene
16	111-2100-03	1	Chassis-Rear	45	111-5538-03	1	Location-Plate
17	ZDH1L035U	4	Screw-HH	46	09392	2	Screw-HH
18	03162	6	Screw-HH	47	09479	4	Washer-Plain
19	09369	10	Screw-HH	48	ZNN1J000U	2	Nut-Hex, NI
20	09267	3	Washer	50	63-11-010	4	Bolt-HH
21	HY09485	38	Washer-Plain	51	09599	4	Washer-Lock
22	111-3538	2	Adaptor	52	111-7065-03	1	Brace
23	ZWP1H000U	36	Washer-Plain	53	111-7094	2	Brace-Chassis
24	111-6881	2	Wheel ASM	54	111-7335-03	1	Plate, Grass-Deflector
24:1	65-07-109	1	Tire	55	09364	1	Screw-HH
24:2	65-07-110	1	Tube-Inner ●	56	09262	1	Washer
24:3	111-6882	1	Wheel Rim	63	09472	2	Washer-Plain ●
25	111-6761	2	HYD Motor ASM	64	09438	1	Nut-Nyloc ●
				65	56-7974	1	Clamp-Tube ●

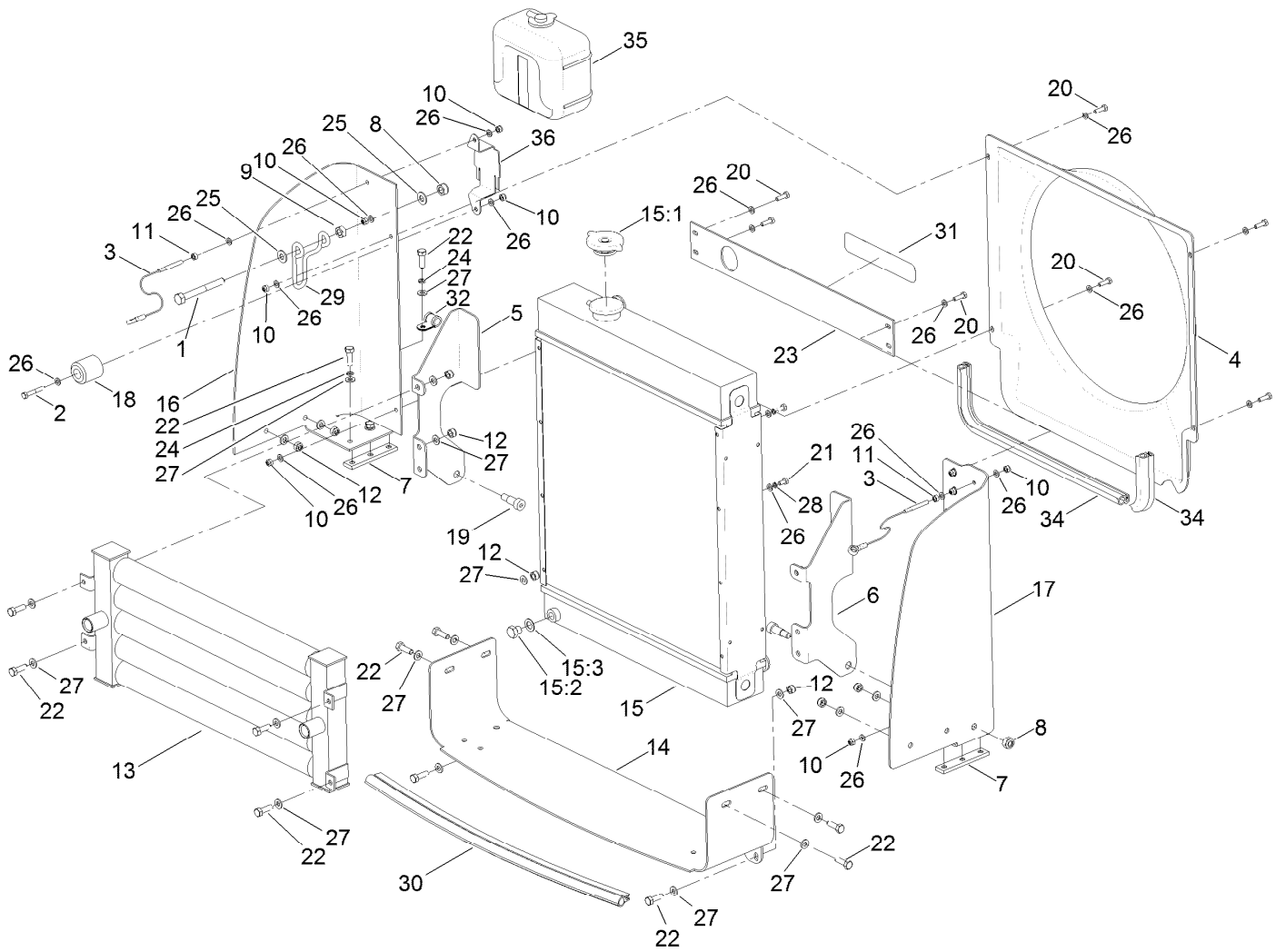
● Not illustrated

Engine and Mounting Assembly (continued)

<i>Ref.</i>	<i>Part Number</i>	<i>Qty.</i>	<i>Description</i>	<i>Ref.</i>	<i>Part Number</i>	<i>Qty.</i>	<i>Description</i>
1	111-3805	1	Air Filter ASM	22	09437	2	Nut
1:1	111-3808	1	Filter-Element, Main	23	09441	2	Nut-Hex, NI
1:2	111-3809	1	Filter-Element, Safety	24	ZNH1H000U	5	Nut-Hex
2	111-3554	1	Intake-Hose, Air	25	09231	8	Nut-Hex
3	910816	4	Isomount-Engine	26	70-11-005	1	Pin-Split
4	922851	1	Housing-Bell	27	940213	1	Tail Pipe-Exhaust ●
5	09547	1	Screw-HH	28	111-3806	3	Screw-HSH
6	09371	1	Bolt	29	111-3555	1	Seal-Air Intake
7	111-3298	1	Pivot-Throttle, Boss	30	50-11-005	10	Screw-HH
8	74-01-327	2	Bracket-Loom, Tie	31	111-0597	2	Screw-HH
9	111-3036-03	1	Bracket-Air Cleaner	32	03162	10	Screw-HH
10	111-3043-03	2	Bracket-Mount, Engine	33	09369	4	Screw-HH
11	111-3238-03	1	Bracket-Engine Mount, Front (LH)	34	ZDH1H035U	8	Screw-HH
12	111-3239-03	1	Bracket-Engine Mount, Front (RH)	35	09283	8	Washer
13	111-3299-03	1	Bracket-Throttle	36	09267	1	Washer
14	111-2556	1	Coupling	37	03469	19	Washer-Spring
15	111-2376	1	Engine-Kubota, D1105 E2B	38	ZWQ1J000U	12	Washer-Plain
16	111-3045-03	1	Stay-Exhaust	39	ZWP1F000U	2	Washer-Plain
17	111-3038	1	Flange-Exhaust	40	ZWP1H000U	24	Washer-Plain
18	65-07-042	2	Clip-Hose	41	09480	15	Washer-Lock
19	924438	4	Clamp-Hose	42	09474	1	Washer-Spring
20	111-2567	1	Hose-Radiator, Bottom	43	70-09-023	1	Cable-Earth
21	910921	1	Hose-Top	44	111-3807	1	Bracket-Mounting, Air Filter
				45	953870	1	Indicator-Filter Blockage
				49	111-6937-03	1	Washer-Pad, Intake Air

● Not illustrated

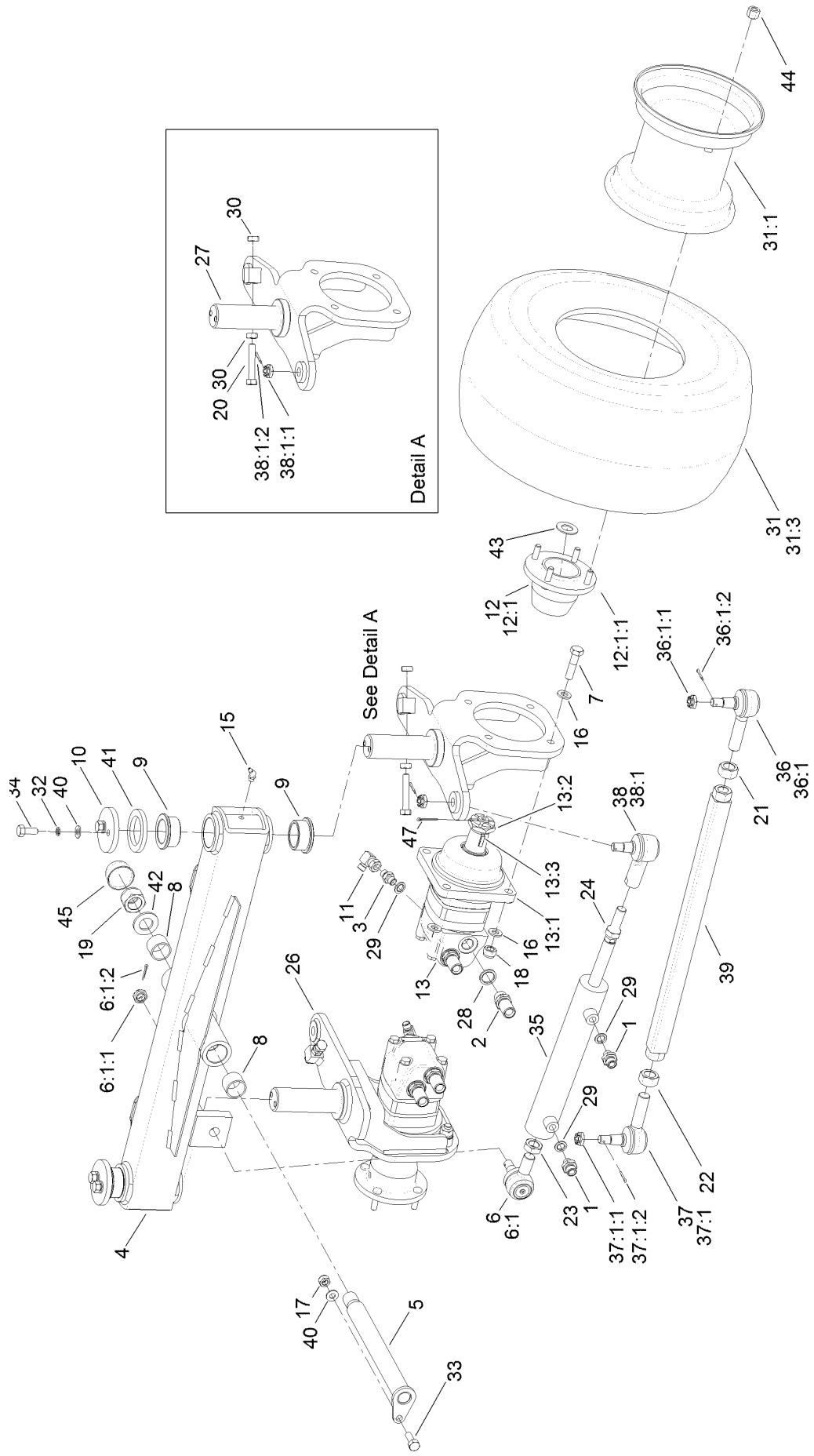
Radiator and Shroud Assembly



Radiator and Shroud Assembly (continued)

<i>Ref.</i>	<i>Part Number</i>	<i>Qty.</i>	<i>Description</i>	<i>Ref.</i>	<i>Part Number</i>	<i>Qty.</i>	<i>Description</i>
1	ZBH1J090U	1	Screw-HH	17	111-3007-03	1	Bracket-Radiator, RH
2	ZBH1F040U	2	Screw-HH	18	61-07-003	2	Buffer-Rubber
3	924825	2	Cable-Stay, Cover	19	ZIS1J020S	2	Bolt-Shoulder, Socket Head
4	111-3301	1	Cowl-Fan	20	09363	8	Screw-HH
5	111-3010-03	1	Hinge-Oil Cooler, LH	21	09361	6	Screw-HH
6	111-3011-03	1	Hinge-Oil Cooler, RH	22	03162	16	Screw-HH
7	111-3281	2	Bar-Nut	23	111-3008-03	1	Seal-Top
8	ZNN1J000U	3	Nut-Hex, NI	24	03469	6	Washer-Spring
9	09449	1	Nut	25	ZWQ1J000U	2	Washer-Plain
10	09438	12	Nut-Nyloc	26	09472	30	Washer-Plain
11	09437	2	Nut	27	ZWP1H000U	24	Washer-Plain
12	09441	10	Nut-Hex, NI	28	09474	6	Washer-Spring
13	70-06-171	1	Cooler-Oil	29	104-5429	1	Clamp-Form, Wire
14	111-3009-03	1	Plate-Seal, Lower	30	994808	3	Excluder-Draught
15	111-5193	1	Radiator ASM	31	111-3902	1	Decal-Engine, Fan/Radiator
15:1	111-0698	1	Cap-Radiator	32	111-6082	1	Clamp-Cable
15:2	30-06-200	1	Plug-HYD	34	111-7053	1	Seal-Bubble, Side
15:3	200134	1	Washer	35	111-7452	1	Tank-Reserve, Coolant
16	111-3006-03	1	Bracket-Radiator, LH	36	108-9930-03	1	Bracket-Bottle

Rear Axle Assembly



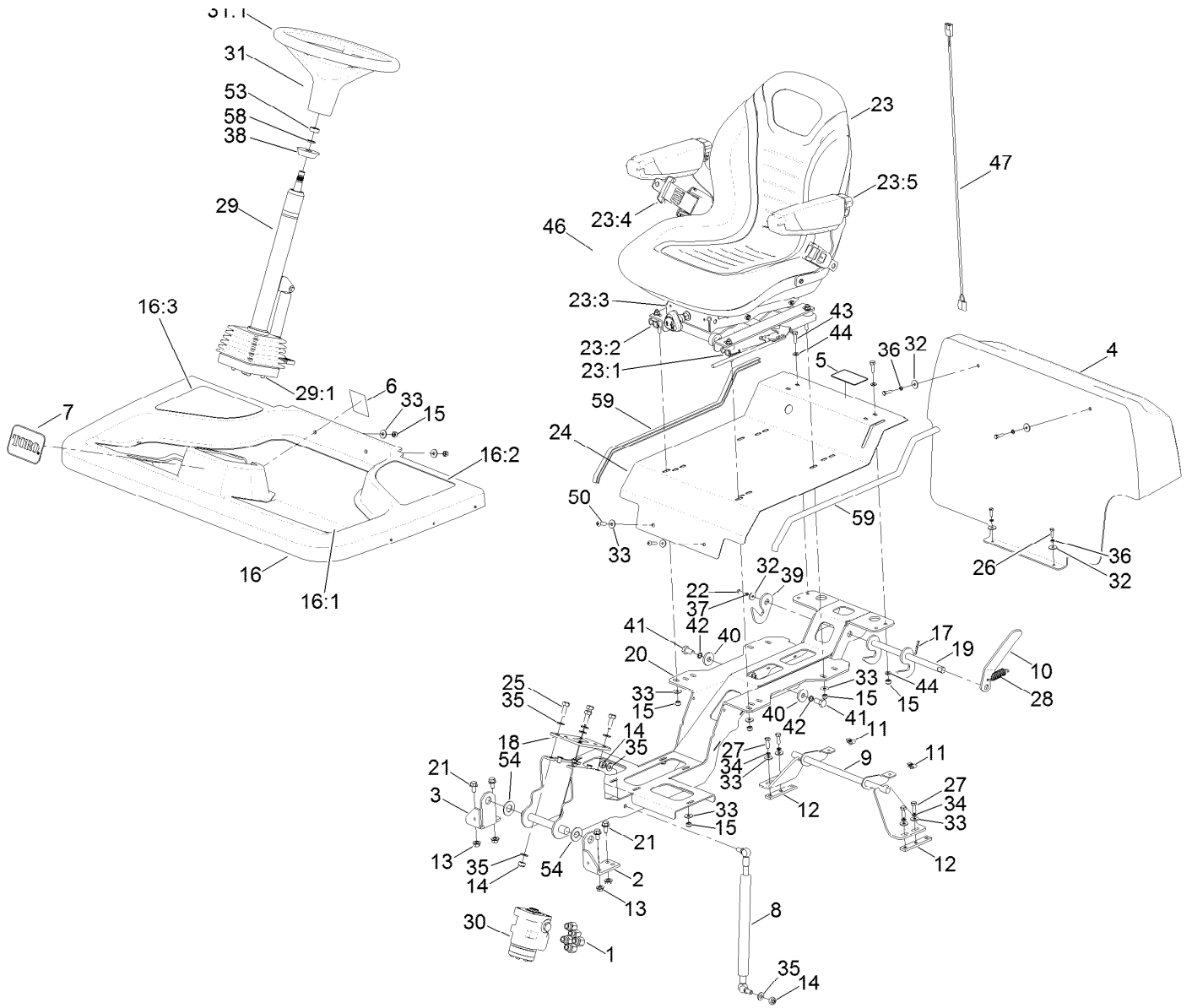
Rear Axle Assembly (continued)

<i>Ref.</i>	<i>Part Number</i>	<i>Qty.</i>	<i>Description</i>	<i>Ref.</i>	<i>Part Number</i>	<i>Qty.</i>	<i>Description</i>
1	50-06-009	2	Adaptor-BSP	28	10-06-032	4	Seal-Dowty
2	09-06-216	4	Adaptor-Bulkhead	29	10-06-030	4	Seal-Dowty
3	10-06-085	2	Adaptor	30	09449	4	Nut
4	111-4995-03	1	Axle-Rear	31	111-6880	2	Wheel ASM
5	111-3265	1	Pin-Axle	31:1	111-6877	1	Rim-Wheel
6	111-6578-03	1	Joint-Ball	31:2	72-07-068	1	Tube-Inner ●
6:1		1	Ball Joint ■	31:3	922804	1	Tyre, 18X9.50-8 (6 Ply)
6:1:1	111-5116	1	Nut-Castle	32	09480	4	Washer-Lock
6:1:2	09306	1	Pin-Split	33	09392	1	Screw-HH
7	09552	8	Screw-HH	34	09395	4	Screw-HH
8	70-05-031	2	Bushing	35	924724	1	HYD Steering Cylinder ASM
9	111-3681	4	Bushing-Flanged, Oilite	35:1	111-4872	1	Seal Kit ●
10	70-01-197	2	Cap-Washer	36	111-6065-03	1	Rod End-Track, RH
11	31-06-004	2	Elbow-Compact	36:1		1	Rod End-RH ■
12	111-5176-03	2	Wheel Hub ASM	36:1:1	111-5116	1	Nut-Castle
12:1		1	Hub-Wheel ■	36:1:2	09306	1	Pin-Split
12:1:1	65-07-019	4	Stud-Wheel ●	37	111-6066-03	1	Rod End-Track, LH
13	111-2260	2	HYD Motor ASM	37:1		1	Rod End-LH ■
13:1	111-3421	1	Seal Kit ●	37:1:1	111-5116	1	Nut-Castle
13:2	70-06-081	1	Castle-Nut	37:1:2	09306	1	Pin-Split
13:3	70-06-089	1	Key	38	111-5087-03	1	Joint-Ball
15	63-07-027	3	Zerk-Grease, BSP (90 DEG)	38:1		1	Joint-Ball ■
16	HY09485	16	Washer-Plain	38:1:1	111-5116	1	Nut-Castle
17	ZNN1J000U	1	Nut-Hex, NI	38:1:2	09306	1	Pin-Split
18	09650	8	Nut-Hex, Nyloc	39	111-2560-03	1	Rod-Track
19	ZNN1X000U	1	Nut-Hex, Nyloc	40	ZWQ1J000U	5	Washer-Plain
20	ZDH1J060U	2	Setscrew-HH	41	70-07-149	2	Washer-Felt
21	70-11-002	1	Nut	42	09555	1	Washer
22	70-11-001	1	Nut	43	ZWP1T000U	2	Washer-Plain
23	09828	1	Nut	44	65-07-009	8	Nut-Wheel, Dome
24	09827	1	Nut	45	10-11-100	1	Cap-Nut
26	111-4982-03	1	RH Rear Yoke ASM	47	70-11-004	2	Pin-Split
27	111-4983-03	1	LH Rear Yoke ASM				

● Not illustrated

■ Not serviced separately

Steering Column, Seat and Platform Assembly

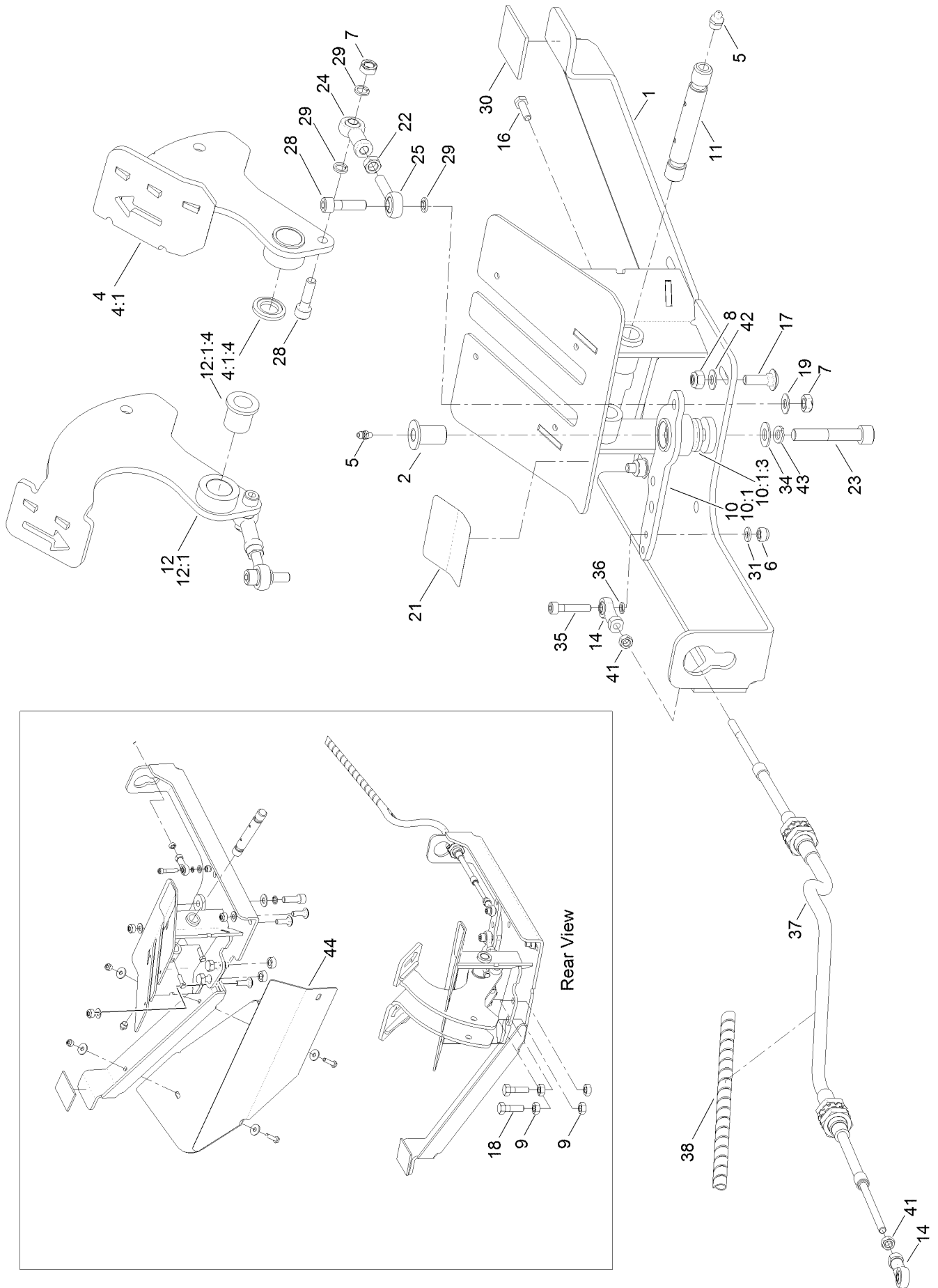


Steering Column, Seat and Platform Assembly (continued)

<i>Ref.</i>	<i>Part Number</i>	<i>Qty.</i>	<i>Description</i>	<i>Ref.</i>	<i>Part Number</i>	<i>Qty.</i>	<i>Description</i>
1	111-3509	5	Adaptor	24	111-3069-03	1	Pan-Seat
2	111-3243-03	1	Bracket-Platform Pivot, LH	25	09392	4	Screw-HH
3	111-2665-03	1	Bracket-Platform Pivot, RH	26	09363	2	Screw-HH
4	111-3293	1	Bulkhead	27	03162	4	Screw-HH
5	111-3566	1	Decal-Latch, Platform	28	70-07-063	1	Spring-Extension
6	111-3562	1	Decal	29	111-6756	1	Steering Column ASM
7	67-1300	1	Decal	29:1	110-6462	1	Bellows-Rubber
8	111-3510	1	Spring-Gas	30	111-7464	1	Valve-Control, Steering
9	111-3140-03	1	Bar-Latch	30:99	130-8358	1	Seal Kit ●
10	111-3269-03	1	Lever-Latch, Platform	30:99	94-4095	1	Centering Spring Kit ●
11	410076	2	Nut	31	98-1471	1	Wheel-Steering
12	111-3281	2	Bar-Nut	31:1	98-1468	1	Cover-Wheel, Steering
13	63-11-015	4	Nut-Flanged	32	09263	5	Washer
14	ZNN1J000U	6	Nut-Hex, NI	33	09267	20	Washer
15	09441	16	Nut-Hex, NI	34	03469	4	Washer-Spring
16	111-3296	1	Operator Platform ASM	35	ZWQ1J000U	10	Washer-Plain
16:1	111-3506	1	Mat-Floor	36	09264	4	Washer-Spring
16:2	111-3507	1	Mat-Side, LH	37	09474	1	Washer-Spring
16:3	111-3508	1	Mat-Side, RH	38	93-5429	1	Collar-Foam
17	70-11-004	1	Pin-Split	39	111-3268	1	Latch-Plate, Platform
18	111-2899-03	1	Plate-Mount, Pump (Steering)	40	63-01-115	2	Washer
19	111-3266	1	Latch-Platform	41	09571	2	Screw-HH
20	111-2640-03	1	Support-Platform	42	09599	2	Washer-Lock
21	63-11-018	4	Screw-Durloc	43	03162	2	Screw-HH
22	09362	1	Screw-HH	44	ZWP1H000U	4	Washer-Plain
23	111-3500	1	Seat ASM (W/Seat Belt)	46	98-1459	1	Decal
23:1	111-3498	1	Adjuster-Rail, Seat	47	111-6186	1	Cable-Seat, Beacon
23:2	111-3499	1	Rail-Adjuster, Slave	50	ZHS1H025U	2	Screw-HSBH
23:3	111-3501	1	Suspension-Seat	53	09827	1	Nut
23:4	111-3502	1	Seat Belt ASM	54	09499	2	Washer
23:5	111-3511	1	Arm Rest Kit	58	HY4200	1	Washer-Spring
23:6	111-3674	1	Switch-Seat ●	59	50-08-001	2	Edging-Rubber
				99	994808	1	Excluder-Draught ●

● Not illustrated

Pedal Control Assembly



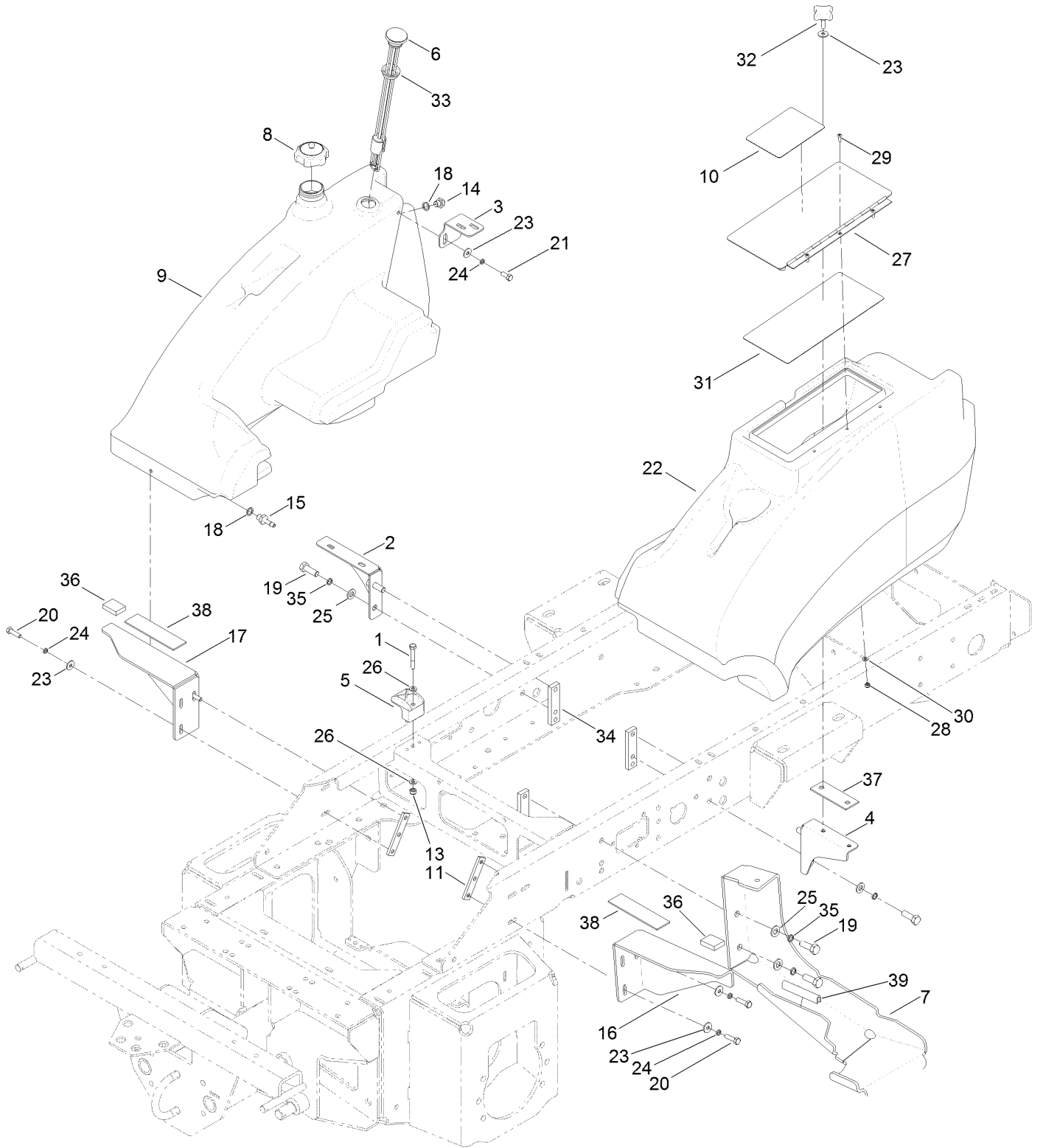
Pedal Control Assembly (continued)

<i>Ref.</i>	<i>Part Number</i>	<i>Qty.</i>	<i>Description</i>	<i>Ref.</i>	<i>Part Number</i>	<i>Qty.</i>	<i>Description</i>
1	111-7175-03	1	Pedal-Mounting	18	09392	2	Screw-HH
2	111-7122	1	Boss-Pedal, Link	19	09475	2	Washer
4	111-7170-03	1	Forward Pedal ASM	21	111-3567	1	Decal-Pedal, Operation
4:1		1	Pedal-Traction, Forward ●■	22	ZNH1H000U	2	Nut-Hex
4:1:4	953868	1	Bushing-Flange, Oilite	23	ZCS1J030U	1	Screw-Soc
5	10-11-017	2	Fitting-Straight	24	111-2896	2	Rod-End, Female
6	09544	1	Nut-Nyloc	25	111-6147	2	Rod End
7	ZNB1H000U	4	Nut	28	ZCS1H030U	4	Screw-Cap
8	09441	3	Nut-Hex, NI	29	111-6948	6	Washer-Spring
9	09449	2	Nut	30	HY910808	1	Strip-Neoprene
10	111-7068-03	1	Pedal Link ASM	31	09472	1	Washer-Plain
10:1		1	Link-Pedal ●■	34	09479	1	Washer-Plain
10:1:3	953868	1	Bushing-Flange, Oilite	35	111-4586	1	Screw-HSH
11	111-1310	1	Pin-Control, Pedal	36	09474	1	Washer-Spring
12	111-7171-03	1	Reverse Pedal ASM	37	111-7267	1	Cable-Transmission
12:1		1	Pedal-Traction, Reverse ●■	38	111-6133	1	Guard-Spiral
12:1:4	953868	1	Bushing-Flange, Oilite	41	09437	2	Nut
14	111-4579	2	Rod End-Female/Female	42	09267	3	Washer
16	09363	2	Screw-HH	43	09480	1	Washer-Lock
17	09373	3	Bolt-Coach	44	111-7336-03	1	Plate-Grass, Deflector (RH)

● Not illustrated

■ Not serviced separately

Fuel Tank and Storage Pod Assembly

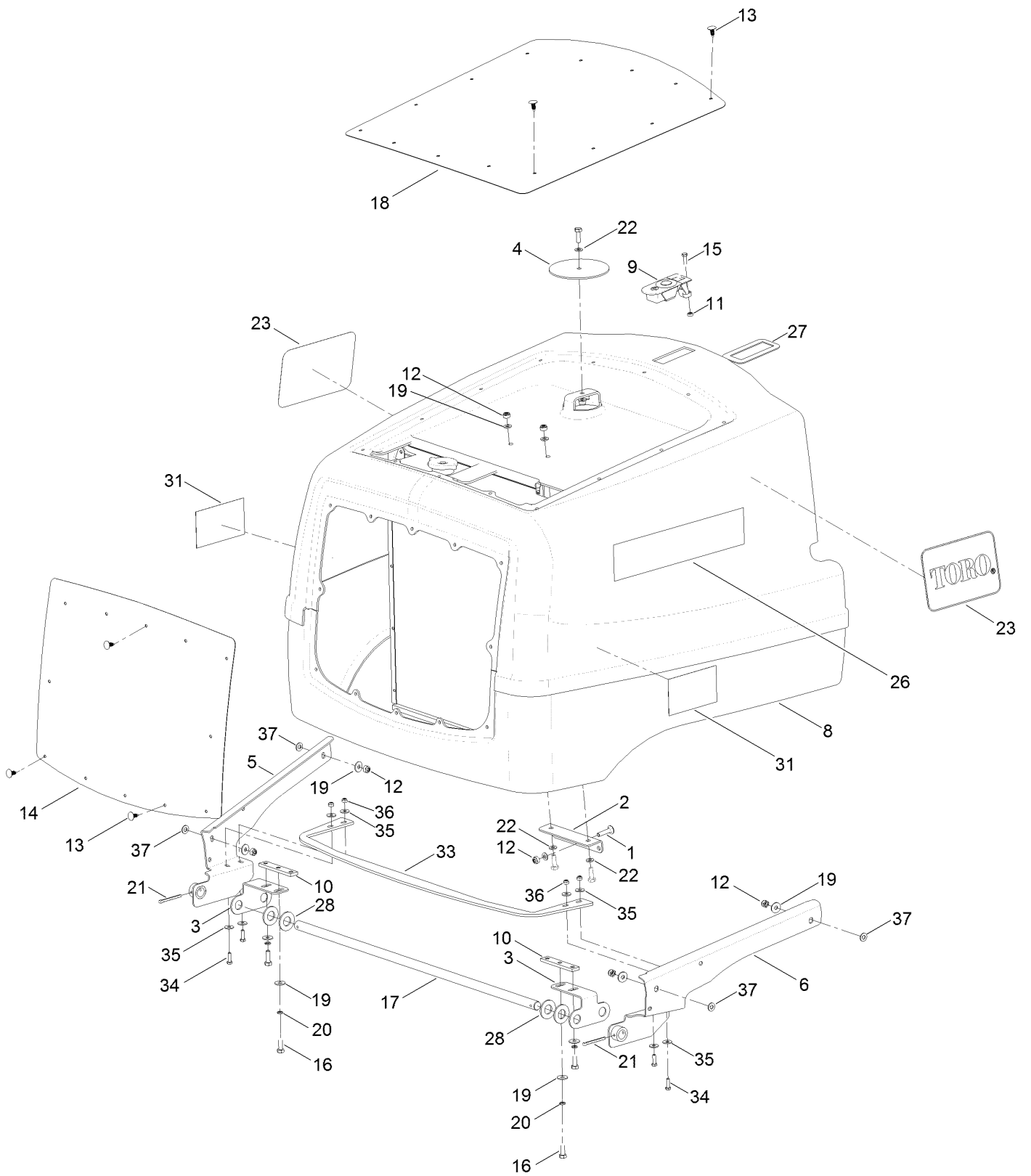


Fuel Tank and Storage Pod Assembly (continued)

<i>Ref.</i>	<i>Part Number</i>	<i>Qty.</i>	<i>Description</i>	<i>Ref.</i>	<i>Part Number</i>	<i>Qty.</i>	<i>Description</i>
1	09565	1	Screw-HH	22	111-3295	1	Pod-Storage
2	111-3452-03	1	Bracket-Fuel Tank	23	09267	9	Washer
3	111-3453-03	1	Bracket-Fuel Tank, Upper	24	03469	6	Washer-Spring
4	111-3424-03	1	Bracket-Pod, Storage	25	HY09485	6	Washer-Plain
5	107-4543	1	Clamp	26	ZWP1H000U	2	Washer-Plain
6	104-5603	1	Gauge-Level, Fuel	27	111-7242-03	1	Cover-Storage
7	111-5364-01	1	Bracket-Step	28	09430	3	Nut-Nyloc
8	111-3531	1	Cap-Fuel	29	111-3381	3	Screw-HSBH
9	111-3294	1	Tank-Fuel	30	09470	3	Washer
10	111-8098	1	Decal-Warning, Inclines	31	111-7249	1	Decal-Maintenance
11	111-3281	2	Bar-Nut	32	111-3666	3	Handwheel
13	09441	1	Nut-Hex, NI	33	95-8972	1	Grommet
14	910352	1	Pipe-Return, Fuel	34	111-4490	3	Bar-Nut
15	910351	1	Pipe-Suction, Fuel	35	09599	6	Washer-Lock
16	111-3454-03	1	Support-Platform, LH	36	111-5386	2	Pad-Rubber
17	111-3455-03	1	Support-Platform, RH	37	111-5388	1	Pad-Rubber, Storage Pod
18	111-3925	2	Washer-Fiber	38	HY910808	1	Strip-Neoprene
19	ZDH1L035U	6	Screw-HH	39	50-08-001	1	Edging-Rubber
20	09369	4	Screw-HH	99	70-07-067	1	Tape-Slip, Anti ●
21	09368	2	Screw-HH				

● Not illustrated

Hood Assembly

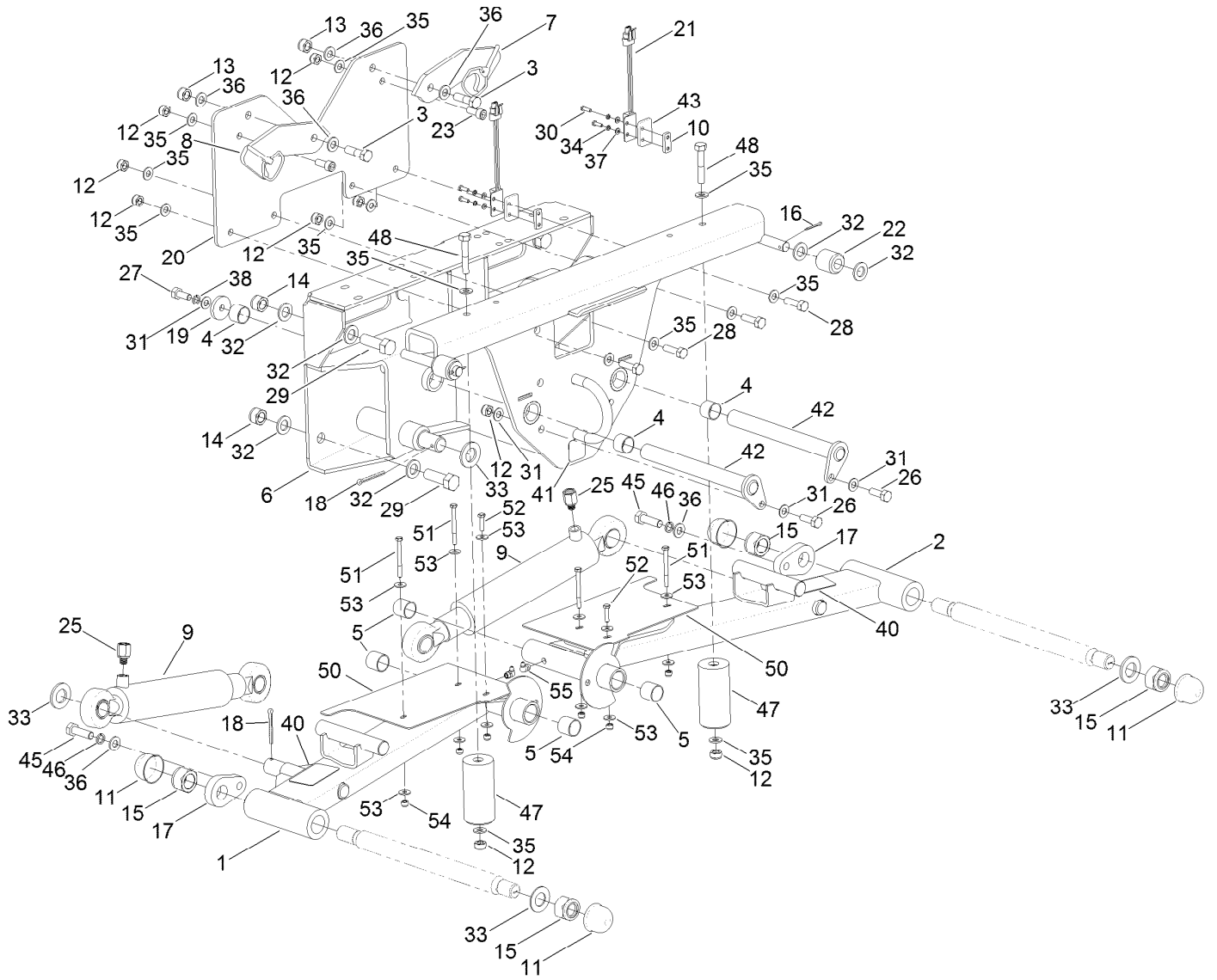


Hood Assembly (continued)

<i>Ref.</i>	<i>Part Number</i>	<i>Qty.</i>	<i>Description</i>	<i>Ref.</i>	<i>Part Number</i>	<i>Qty.</i>	<i>Description</i>
1	09369	1	Screw-HH	18	111-6918-03	1	Screen-Top
2	111-2111-03	1	Bracket-Engine, Cover	19	09267	11	Washer
3	111-7483-03	2	Bracket, Hinge-Shaft	20	03469	4	Washer-Spring
4	111-3557-03	1	Cover-Air, Intake	21	74-11-003	2	Pin-Split
5	111-3490-03	1	Hinge-Cover, Engine (LH)	22	ZWP1H000U	4	Washer-Plain
6	111-3491-03	1	Hinge-Cover, Engine (RH)	23	111-3728	2	Decal
8	111-6920	1	Cover-Engine	26	111-7311	2	Decal
9	950831	1	Latch-Sealed, Lever	27	111-4158-03	1	Plate-Support, Latch
10	111-3281	2	Bar-Nut	28	09499	4	Washer
11	09437	1	Nut	31	94-8099	2	Decal
12	09441	8	Nut-Hex, NI	33	111-8236-03	1	Plate-Tie, Cover
13	117-2382	26	Plug-Plastic	34	09363	4	Screw-HH
14	111-6919-03	1	Screen-Rear	35	09262	8	Washer
15	09364	1	Screw-HH	36	09438	4	Nut-Nyloc
16	03162	4	Screw-HH	37	09475	4	Washer
17	111-7482	1	Shaft-Hinge, Cover	99	111-7488	5	Seal-Cover, Screen ●

● Not illustrated

Front Lift Arm Assembly

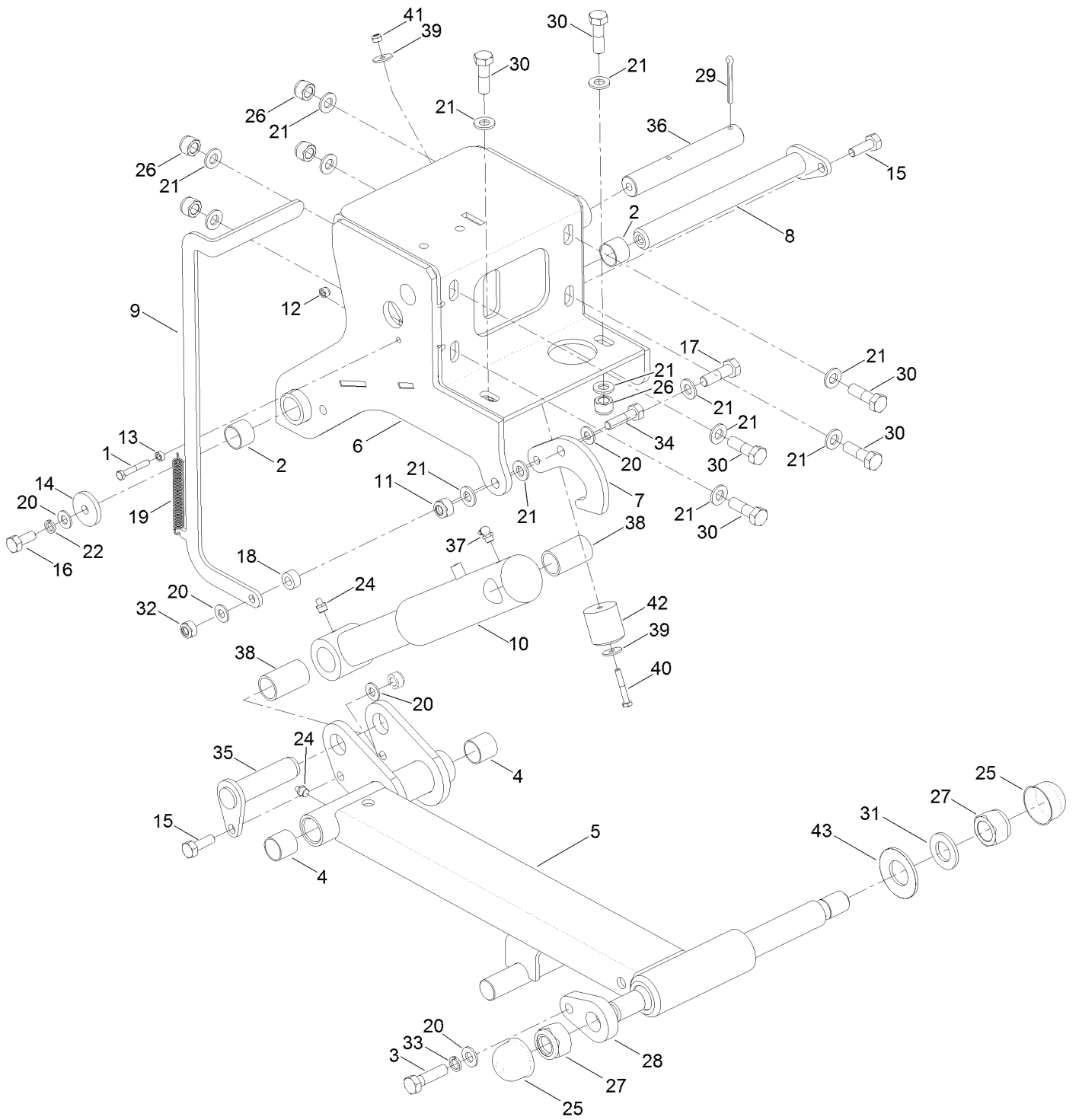


Front Lift Arm Assembly (continued)

<i>Ref.</i>	<i>Part Number</i>	<i>Qty.</i>	<i>Description</i>	<i>Ref.</i>	<i>Part Number</i>	<i>Qty.</i>	<i>Description</i>
1	111-1390-03	1	Arm-Front, RH	27	09395	2	Screw-HH
2	111-4100-03	1	Arm-Front, LH	28	ZDH1J035U	4	Screw-HH
3	63-11-010	2	Bolt-HH	29	ZDH1P050U	8	Screw-HH
4	74-07-028	4	Bushing	30	ZDH1E016U	4	Screw-HH
5	876066	4	Bushing	31	09479	6	Washer-Plain
6	111-8096-03	1	Frame-Pivot, Arm	32	09491	20	Washer-Plain
7	111-7922-01	1	Plate-Latch, LH	33	09555	6	Washer
8	111-7921-01	1	Plate-Latch, RH	34	09644	4	Washer-Spring
9	111-1998	2	HYD Lift Cylinder ASM	35	ZWQ1J000U	14	Washer-Plain
9:1	111-3471	1	Seal Kit ●	36	HY09485	6	Washer-Plain
10	111-3336	2	Bar-Switch, Proximity	37	09470	4	Washer
11	10-11-100	4	Cap-Nut	38	09480	2	Washer-Lock
12	ZNN1J000U	10	Nut-Hex, NI	40	70-13-077	2	Decal-Danger
13	09650	2	Nut-Hex, Nyloc	41	70-13-072	1	Decal
14	09456	8	Nut	42	111-3248	2	Pin-Pivot, Front Arm
15	ZNN1X000U	4	Nut-Hex, Nyloc	43	111-3676	2	Spacer-Switch, Proximity
16	70-11-005	2	Pin-Split	45	ZDH1L040U	2	Screw-HH
17	63-01-185W	2	Retainer-Pin	46	09599	2	Washer-Lock
18	74-11-003	4	Pin-Split	47	111-4157	2	Stop-Bump
19	111-3366	2	Plate-Retaining, Bush	48	09397	2	Bolt
20	111-7240-03	1	Plate-Mount, Latch	50	111-6822-03	2	Deflector-Arm, Mounted
21	105-0023	2	Switch-Proximity	51	09703	4	Bolt-HH
22	922112	2	Roller	52	09364	2	Screw-HH
23	ZCS1J025U	2	Screw-HSH	53	09262	12	Washer
25	111-3538	2	Adaptor	54	09544	6	Nut-Nyloc
26	09392	2	Screw-HH	55	63-07-027	2	Zerk-Grease, BSP (90 DEG)

● Not illustrated

Center Arm Assembly

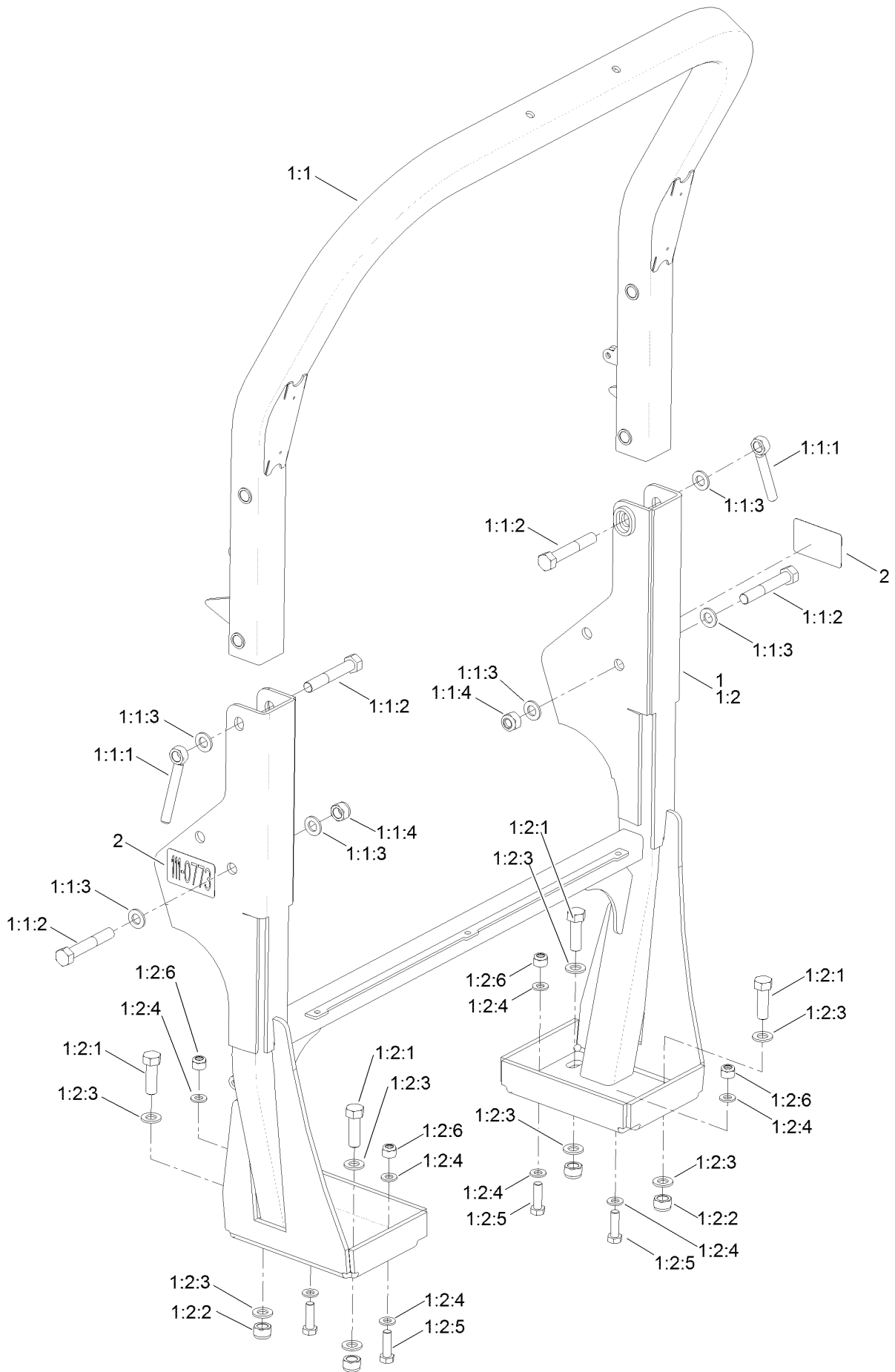


Center Arm Assembly (continued)

<i>Ref.</i>	<i>Part Number</i>	<i>Qty.</i>	<i>Description</i>	<i>Ref.</i>	<i>Part Number</i>	<i>Qty.</i>	<i>Description</i>
1	ZBH1F040U	1	Screw-HH	22	09480	1	Washer-Lock
2	74-07-028	2	Bushing	24	10-11-017	1	Fitting-Straight
3	ZBH1L045U	1	Screw-HH	25	10-11-100	2	Cap-Nut
4	876066	2	Bushing	26	ZNN1L000U	6	Nut-Nyloc
5	111-5158-03	1	Center Arm ASM	27	ZNN1X000U	2	Nut-Hex, Nyloc
6	111-5190-03	1	Center Arm Mount ASM	28	63-01-185W	1	Retainer-Pin
7	111-3099-01	1	Latch-Head, Center	29	74-11-003	2	Pin-Split
8	111-3248	1	Pin-Pivot, Front Arm	30	09415	6	Screw-HH
9	111-3122-01	1	Handle-Head, Center	31	09555	3	Washer
10	910109W	1	Cylinder-Lift	32	ZNN1J000U	3	Nut-Hex, NI
10:99	50-06-013	1	Seal Kit ●	33	09599	1	Washer-Lock
11	09650	1	Nut-Hex, Nyloc	34	09611	1	Bolt-HH
12	09544	1	Nut-Nyloc	35	74-05-108	1	Pin-Wing, Arm
13	09437	1	Nut	36	111-5212	1	Pin-Plain
14	111-3366	1	Plate-Retaining, Bush	37	63-07-027	2	Zerk-Grease, BSP (90 DEG)
15	09392	2	Screw-HH	38	25-07-007	2	Bushing-Tension
16	09395	1	Screw-HH	39	09263	2	Washer
17	ZDH1L035U	1	Screw-HH	40	ZBH1F040U	1	Screw-HH
18	111-3457	1	Spacer-Latch, Center Head	41	09438	1	Nut-Nyloc
19	111-3329	1	Spring-Latch, Center Head	42	61-07-003	1	Buffer-Rubber
20	ZWQ1J000U	7	Washer-Plain	43	767815	1	Washer-Belleville
21	HY09485	17	Washer-Plain				

● Not illustrated

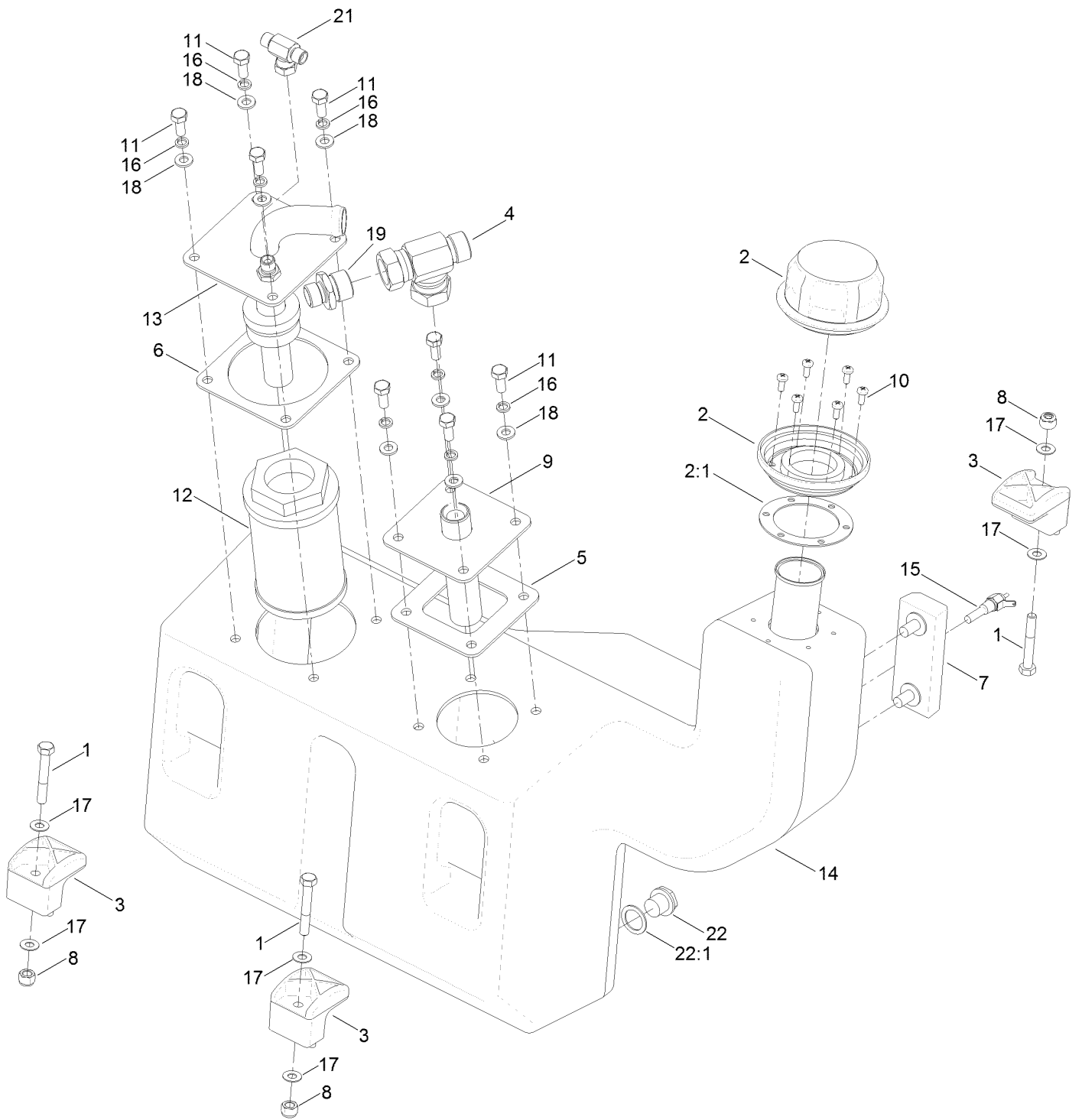
Roll-Over Protection System Assembly



Roll-Over Protection System Assembly (continued)

<i>Ref.</i>	<i>Part Number</i>	<i>Qty.</i>	<i>Description</i>	<i>Ref.</i>	<i>Part Number</i>	<i>Qty.</i>	<i>Description</i>
1	111-7250	1	ROPS ASM	1:2:1	111-3484	4	Screw-HH
1:1	111-7236	1	Hoop-Upper, ROPS	1:2:2	09456	4	Nut
1:1:1	956016	2	Nut-Hand	1:2:3	09491	8	Washer-Plain
1:1:2	ZBH1P100U	4	Bolt	1:2:4	HY09485	8	Washer-Plain
1:1:3	09491	6	Washer-Plain	1:2:5	ZDH1L040U	4	Screw-HH
1:1:4	09456	2	Nut	1:2:6	ZNN1L000U	4	Nut-Nyloc
1:2	111-7238	1	ROPS-Lower	2	111-0773	2	Decal

Hydraulic Oil Tank Assembly

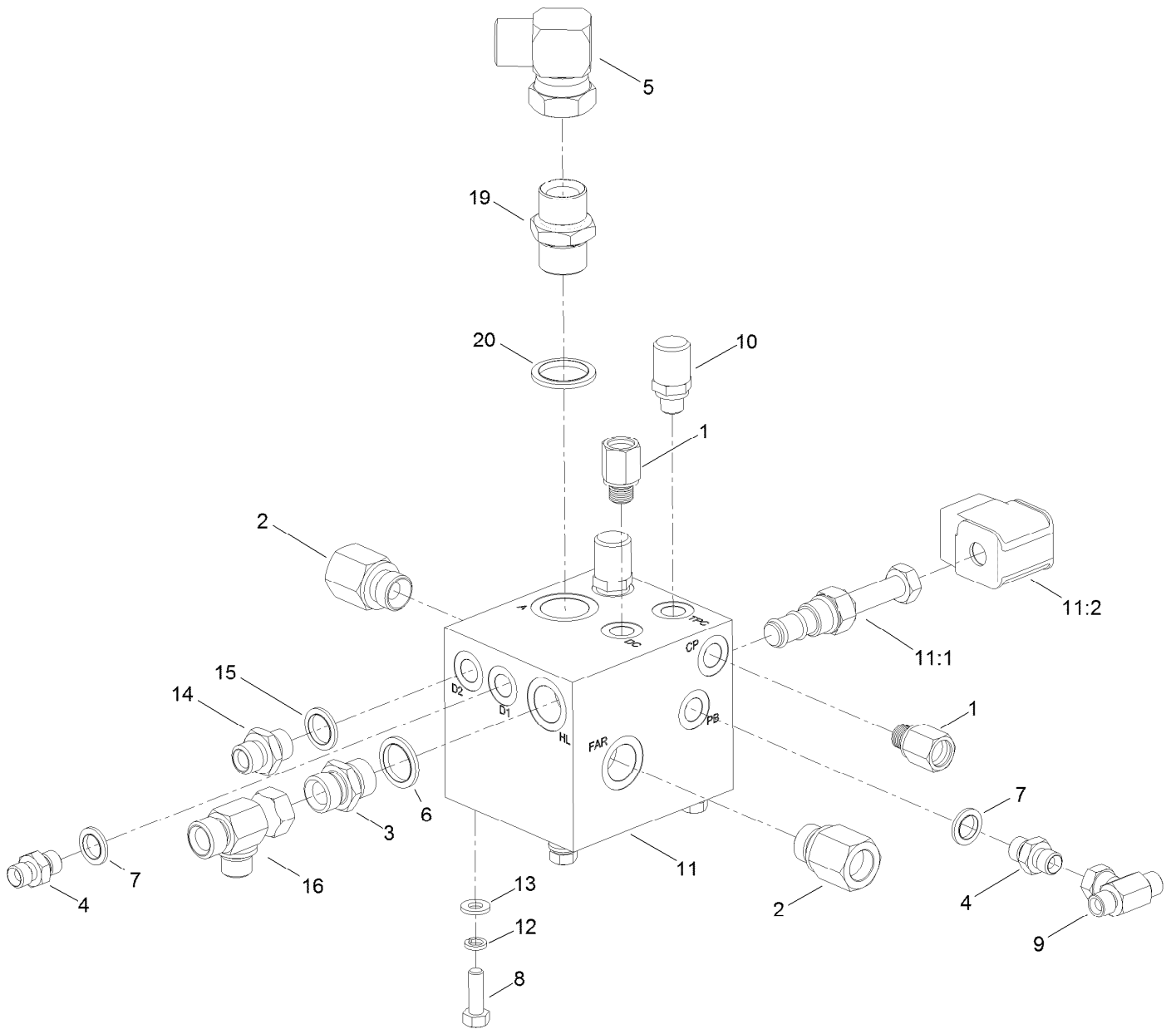


Hydraulic Oil Tank Assembly (continued)

<i>Ref.</i>	<i>Part Number</i>	<i>Qty.</i>	<i>Description</i>	<i>Ref.</i>	<i>Part Number</i>	<i>Qty.</i>	<i>Description</i>
1	09565	3	Screw-HH	12	10-06-025	1	Filter-Suction
2	HY910601	1	Cap-Breather, Filler	13	111-5155-03	1	Suction Flange ASM
2:1	910648	1	Cap-Gasket, Filler	14	111-3034	1	Tank-Oil, HYD
3	107-4543	3	Clamp	15	940852	1	Switch-Temperature
4	60-06-009	1	Adaptor-Tee	16	03469	8	Washer-Spring
5	111-3387	1	Gasket-Flange, Return	17	09475	6	Washer
6	111-3386	1	Gasket-Flange, Suction	18	ZWP1H000U	8	Washer-Plain
7	65-06-018	1	Gauge-Level, Oil	19	09-06-201	1	Adaptor
8	09442	3	Nut	21	60-06-011	1	Tee-BSP
9	111-3230-03	1	Flange-Return	22	20-06-207	1	Plug-Magnetic
10	09634	6	Screw-PPH, HD	22:1	111-7925	1	Washer-Fiber
11	09368	8	Screw-HH	99	10-11-033	2	Clamp-Hose, Hi-Torque ●

● Not illustrated

Hydraulic Transmission Manifold Assembly

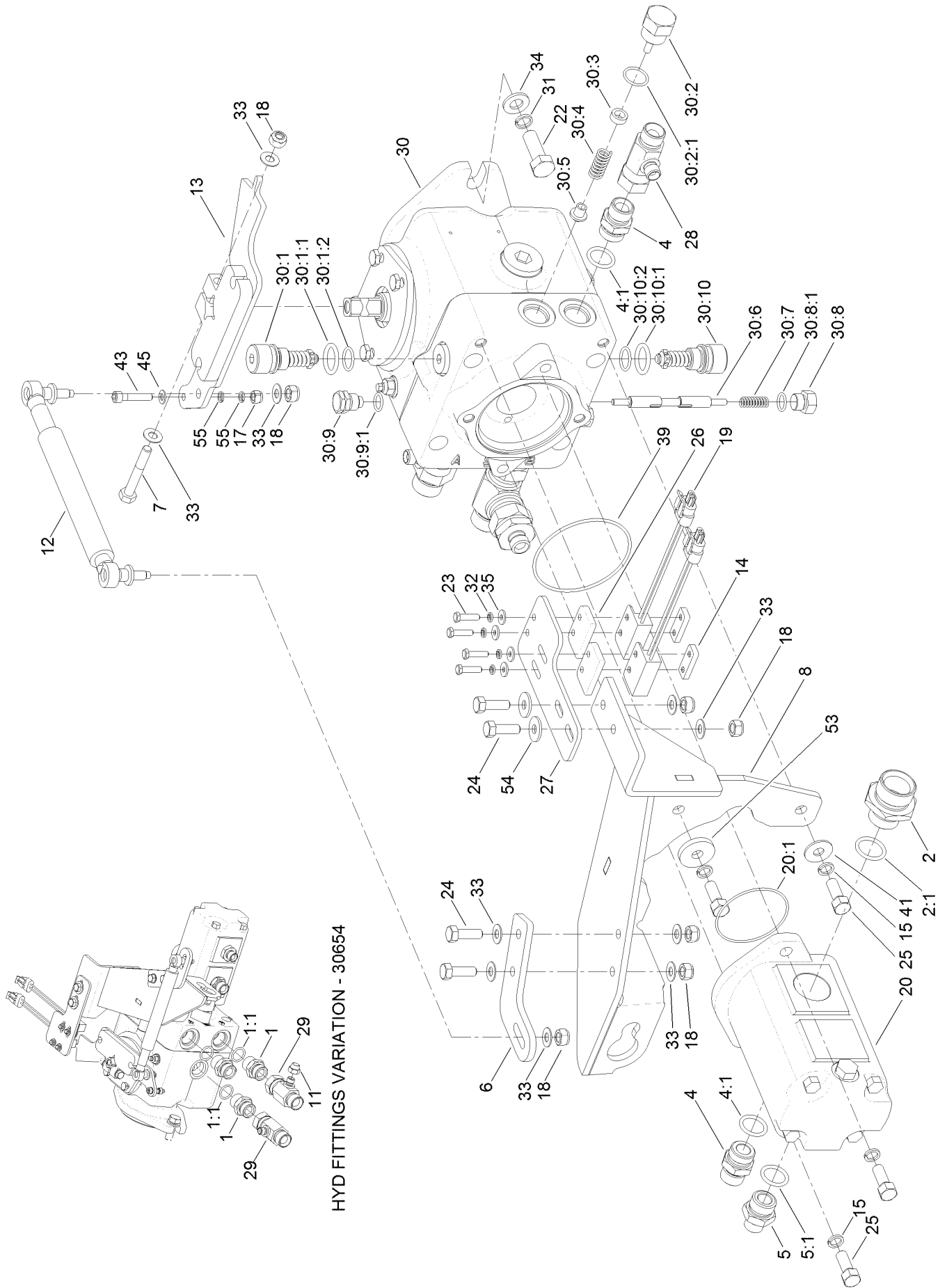


Hydraulic Transimission Manifold Assembly (continued)

<i>Ref.</i>	<i>Part Number</i>	<i>Qty.</i>	<i>Description</i>	<i>Ref.</i>	<i>Part Number</i>	<i>Qty.</i>	<i>Description</i>
1	111-3538	2	Adaptor	11:1	111-3533	1	Valve-Solenoid
2	111-3529	2	Adaptor	11:1:1	910633	1	Seal Kit ●
3	10-06-078	1	Adaptor-BSPP	11:2	910627	1	Coil-Solenoid
4	10-06-085	2	Adaptor	12	03469	4	Washer-Spring
5	111-4443	1	Elbow-BSP	13	ZWP1H000U	4	Washer-Plain
6	10-06-032	1	Seal-Dowty	14	10-06-042	1	Adaptor-BSPP
7	10-06-030	2	Seal-Dowty	15	10-06-031	1	Seal-Dowty
8	03162	4	Screw-HH	16	953732	1	Tee-BSP
9	60-06-011	1	Tee-BSP	19	10-06-044	1	Adaptor-BSP
10	910615	2	Point-BSPP	20	10-06-033	1	Seal-Dowty
11	111-2555	1	Manifold-Transmission				

● Not illustrated

Transmission and Tandem Pump Assembly

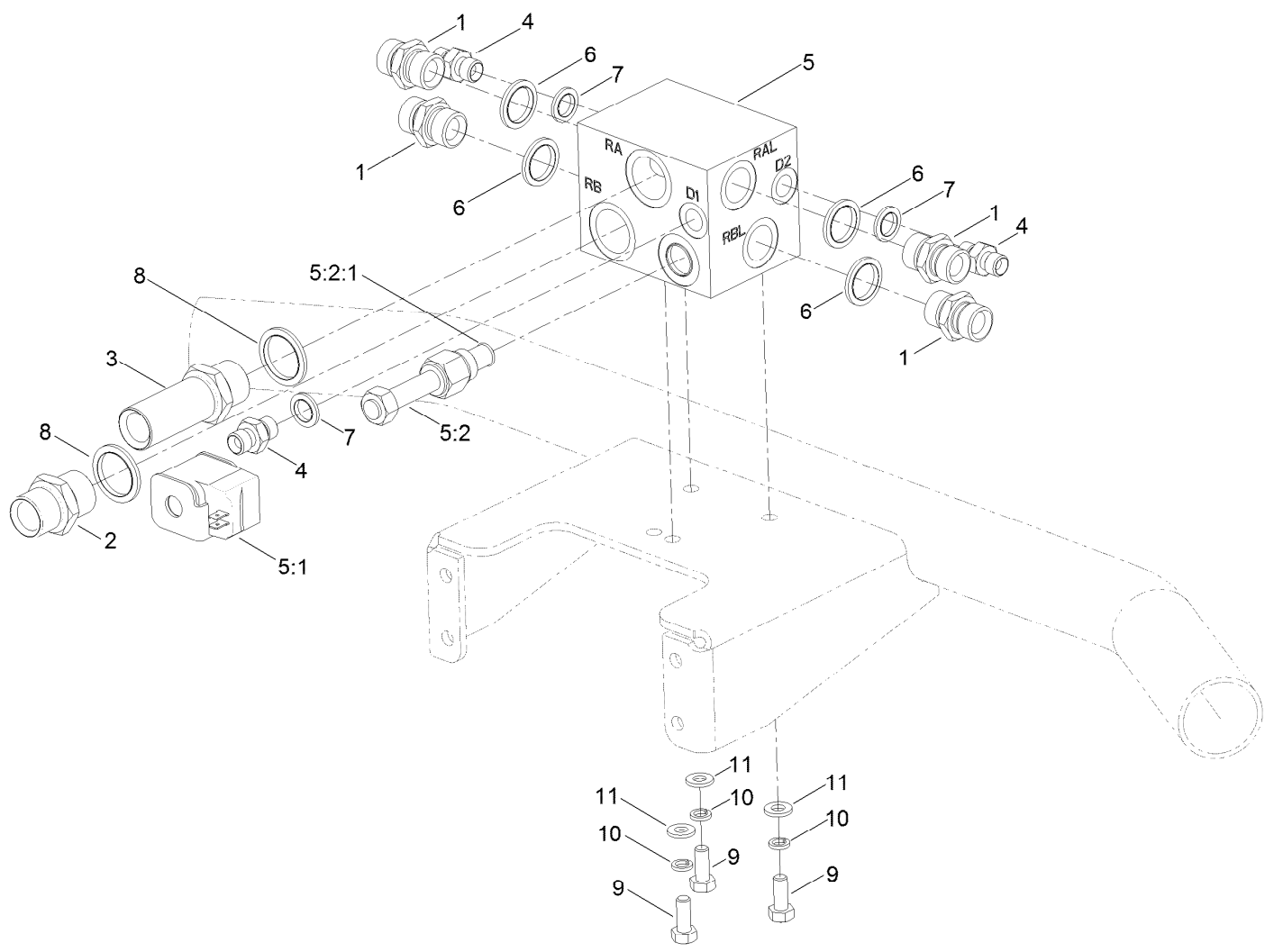


Transmission and Tandem Pump Assembly (continued)

<i>Ref.</i>	<i>Part Number</i>	<i>Qty.</i>	<i>Description</i>	<i>Ref.</i>	<i>Part Number</i>	<i>Qty.</i>	<i>Description</i>
1	70-06-050	3	Adaptor-Boss	30:1:1	111-4906	1	O-Ring
1:1	70-06-168	1	Seal-O Ring	30:1:2	111-4925	1	O-Ring
2	70-06-236	1	Adaptor-BSPP, 1 Inch	30:2	111-3378	1	Plug-Charge Pressure Relief
2:1	70-06-168	1	Seal-O Ring	30:2:1	111-4920	1	O-Ring, Charge Relief Plug
4	63-06-104	2	Adaptor-BSP	30:3	111-4908	1	Shim Kit ASM
4:1	63-06-111	1	Seal-O Ring	30:4	111-4918	1	Spring-Charge, Prv
5	70-06-053	1	Adaptor-Boss	30:5	111-4919	1	Poppet-Charge, Prv
5:1	63-06-111	1	Seal-O Ring	30:6	111-3380	1	Valve-Flushing, Loop
6	111-6853-03	1	Adjuster-Damper	30:7	111-4917	1	Spring-Valve, Loop (Flushing)
7	09565	1	Screw-HH	30:8	111-4916	1	Plug-Loop Flushing Valve
8	111-6456-03	1	Bracket-Control, Pump	30:8:1	111-4928	1	O-Ring
11	66-06-003	1	Cap-BSP	30:9	111-6776	1	Plug-Flush
12	111-7130	1	*obs* Damper	30:9:1	111-4928	1	O-Ring
13	111-6814	1	Lever-Control, Pump	30:10	111-6775	1	Valve-Pressure Relief, 300 Bar
14	111-3336	2	Bar-Switch, Proximity	30:10:1	111-4906	1	O-Ring
15	09273	4	Washer-Spring	30:10:2	111-4925	1	O-Ring
17	09544	1	Nut-Nyloc	31	09599	2	Washer-Lock
18	09441	7	Nut-Hex, NI	32	09644	4	Washer-Spring
19	105-0023	2	Switch-Proximity	33	09475	10	Washer
20	111-3553	1	*obs* Tandem Pump ASM	34	HY09485	2	Washer-Plain
20:1	70-06-028	1	O-Ring	35	09257	4	Washer
20:99	70-06-153	1	Seal Kit ●	39	70-06-028	1	O-Ring
22	ZDH1L035U	2	Screw-HH	41	HY03355	1	Washer-Plated
23	ZDH1E020U	4	Screw-HH	43	111-4586	1	Screw-HSH
24	03162	4	Screw-HH	45	ZWP1F000U	1	Washer-Plain
25	HY103653	4	Screw-HH	53	65-01-559	1	Washer-Space
26	111-3676	2	Spacer-Switch, Proximity	54	09267	2	Washer
27	111-3260-03	1	Adjuster-Switches	55	09474	2	Washer-Spring
28	74-06-019	1	Adaptor-Tee				
29	111-3639	2	Tee-BSP				
30	111-6774	1	Pump-Transmission				
30:1	111-3379	1	Valve-Pressure Relief, 345 Bar				

● Not illustrated

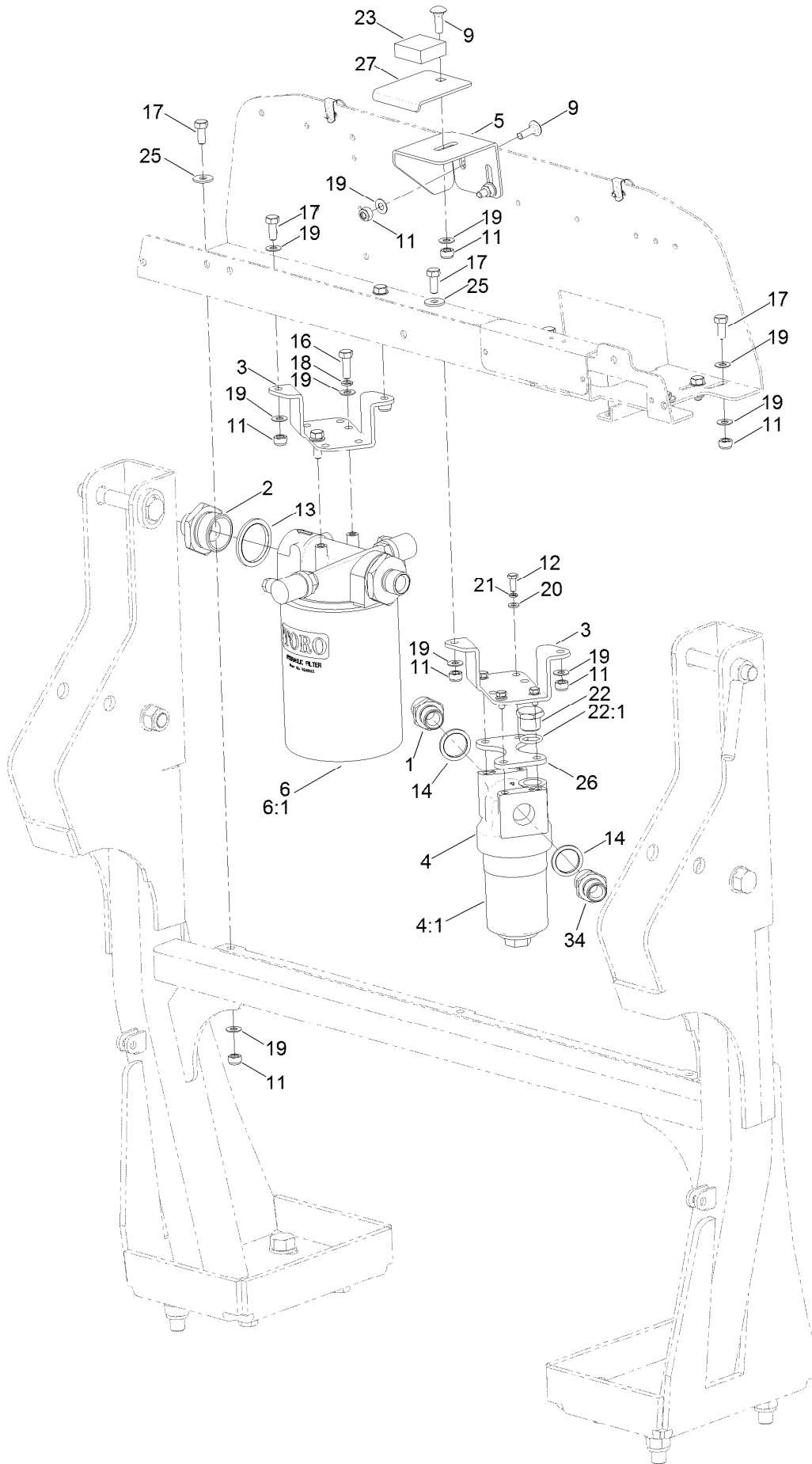
Rear Transmission Block Assembly



Rear Transmission Block Assembly (continued)

<i>Ref.</i>	<i>Part Number</i>	<i>Qty.</i>	<i>Description</i>	<i>Ref.</i>	<i>Part Number</i>	<i>Qty.</i>	<i>Description</i>
1	10-06-078	4	Adaptor-BSPP	5:2:1	910642	1	Seal Kit
2	10-06-044	1	Adaptor-BSP	6	10-06-032	4	Seal-Dowty
3	111-7494	1	Adaptor-BSP	7	10-06-030	3	Seal-Dowty
4	10-06-085	3	Adaptor	8	10-06-033	2	Seal-Dowty
5	924687	1	Manifold-Transmission, Rear	9	09368	3	Screw-HH
5:1	910627	1	Coil-Solenoid	10	03469	3	Washer-Spring
5:2	924688	1	Valve-Solenoid	11	ZWP1H000U	3	Washer-Plain

Filter Assembly

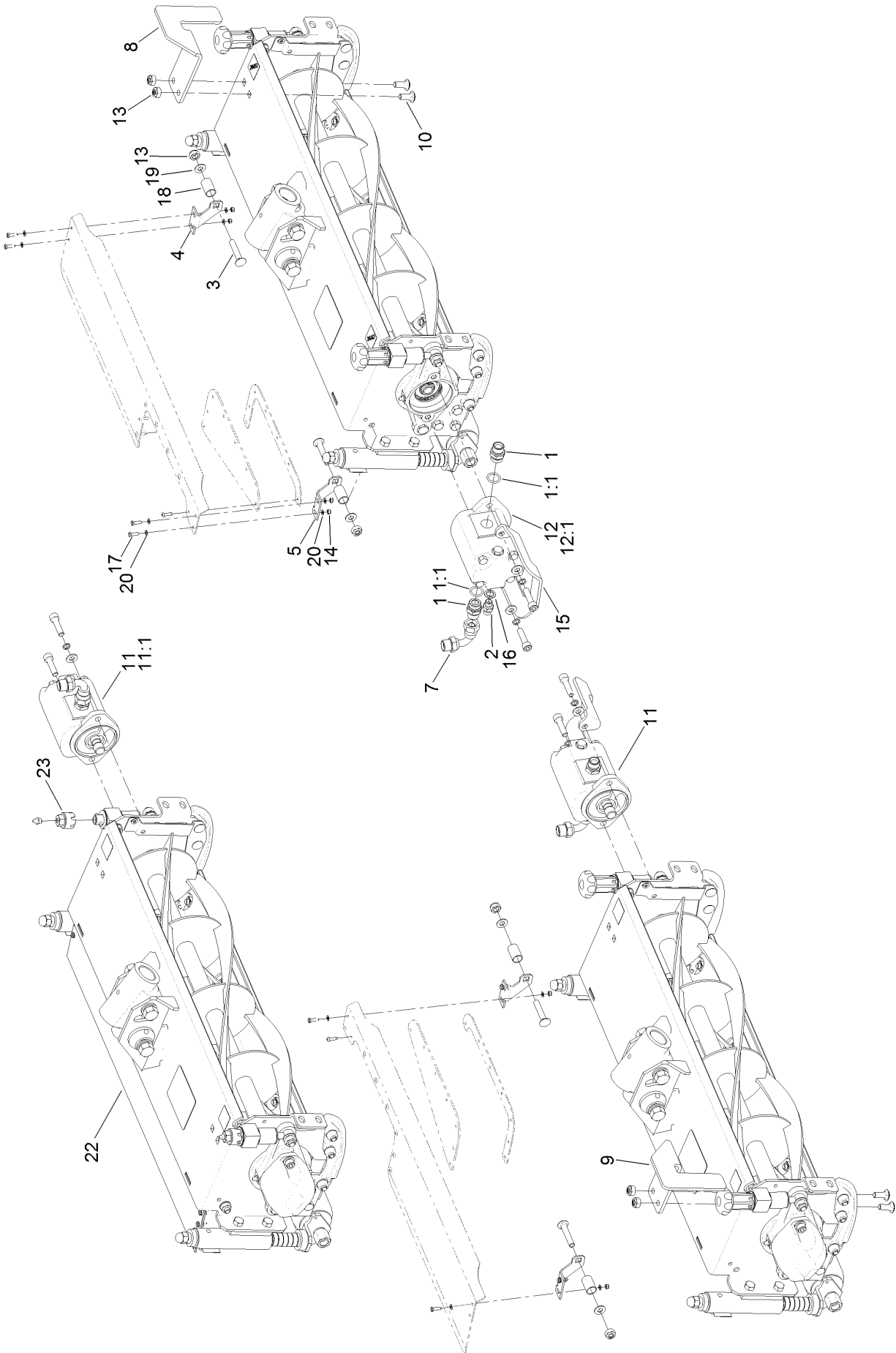


Filter Assembly (continued)

<i>Ref.</i>	<i>Part Number</i>	<i>Qty.</i>	<i>Description</i>	<i>Ref.</i>	<i>Part Number</i>	<i>Qty.</i>	<i>Description</i>
1	09-06-201	1	Adaptor	16	03162	2	Screw-HH
2	25-06-050	2	Adaptor	17	09368	7	Screw-HH
3	111-3485-03	2	Bracket-Filter, Oil	18	03469	2	Washer-Spring
4	924708	1	Pressure Filter ASM	19	09475	18	Washer
4:1	924709	1	Element-Filter, Pressure	20	09472	4	Washer-Plain
4:2	924710	1	Indicator-Filter, Pressure ●	21	09474	4	Washer-Spring
5	111-6095-03	1	Plate-Latch, Bulkhead	22	111-3926	1	Plug
6	111-7508	1	Return Filter ASM	22:1	63-06-111	1	Seal-O Ring
6:1	924692	1	Element-Filter	23	488023	1	Pad-Foam, Short
9	09373	3	Bolt-Coach	25	09267	3	Washer
11	09441	12	Nut-Hex, NI	26	111-4843-03	1	Spacer-Oil Filter
12	09362	4	Screw-HH	27	111-6096-03	1	Plate-Latch, Bonnet
13	10-06-035	2	Seal-Dowty	34	994626	1	Adaptor-BSPP
14	10-06-033	2	Seal-Dowty				

● Not illustrated

Cutter Component Assembly

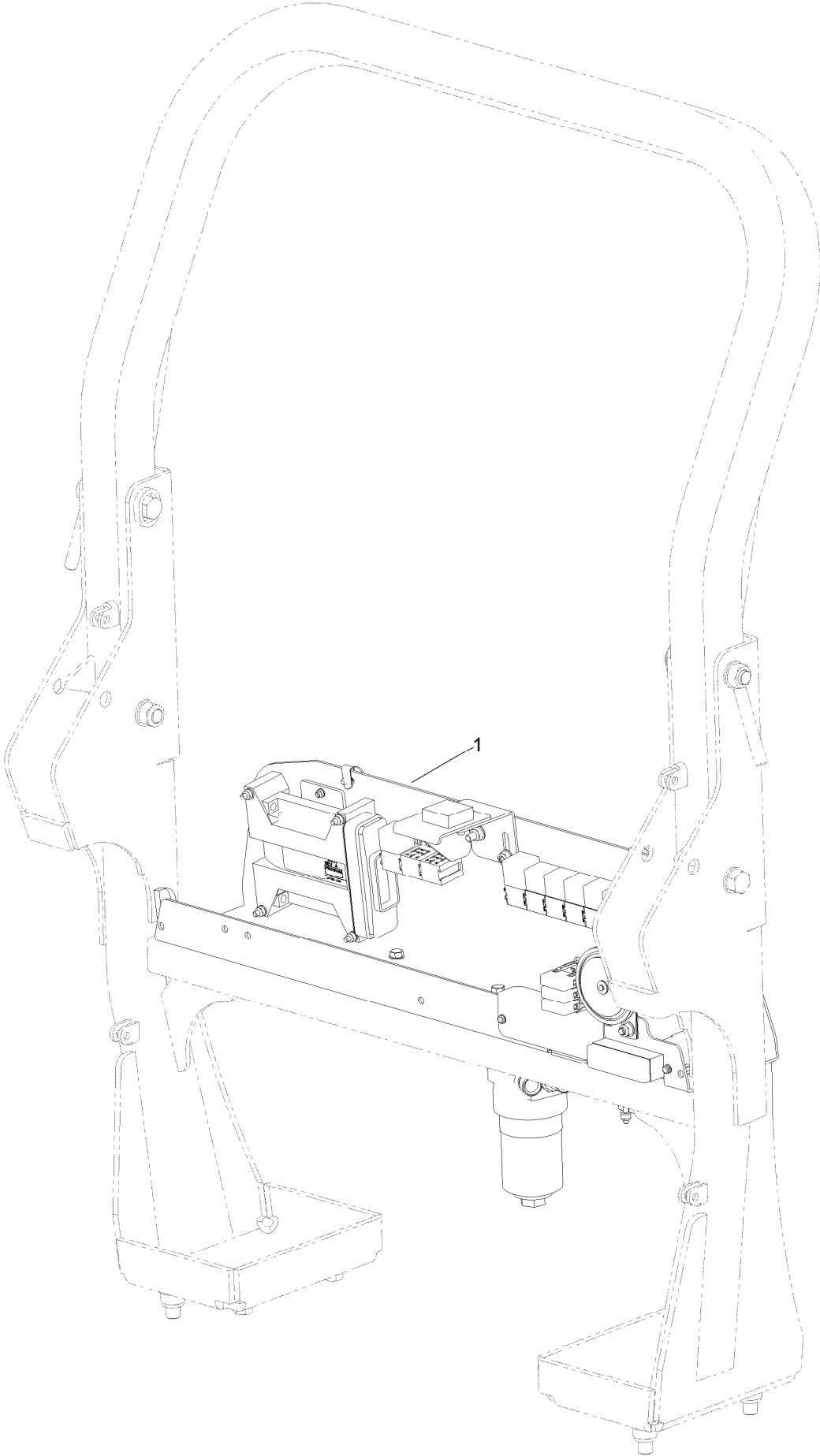


Cutter Component Assembly (continued)

<i>Ref.</i>	<i>Part Number</i>	<i>Qty.</i>	<i>Description</i>	<i>Ref.</i>	<i>Part Number</i>	<i>Qty.</i>	<i>Description</i>
1	63-06-104	6	Adaptor-BSP	12:1	111-8146	1	Seal Kit
1:1	63-06-111	1	Seal-O Ring	12:2	107-7821	1	Valve-Anticavitation ●
2	10-06-085	3	Adaptor	13	ZNN1J000U	10	Nut-Hex, NI
3	ZBK1J055U	6	Bolt-CARR	14	09430	12	Nut-Nyloc
4	876041	3	Bracket-Deflector, LH	15	111-7462-03	2	Guard-Motor
5	876042	3	Bracket-Deflector, RH	16	10-06-030	3	Seal-Dowty
7	25-06-066	3	Elbow-BSP	17	ZDH1E016U	12	Screw-HH
8	876086W	1	Guard-HOC, LH	18	876049	6	Spacer-Deflector
9	876087W	1	Guard-HOC, RH	19	09479	30	Washer-Plain
10	15-11-003	4	Bolt-CARR	20	09470	24	Washer
11	111-7445	2	HYD CW Motor ASM	21	HY922101	1	Spanner-Adjuster, Cutterhead ●
11:1	111-8146	1	Seal Kit	22	111-0177	3	Deflector Cab ASM Kit
11:2	107-7821	1	Valve-Anticavitation ●	23	111-3927	2	Boss-Adjuster
12	111-7446	1	HYD CCW Motor ASM				

● Not illustrated

Loom Kit

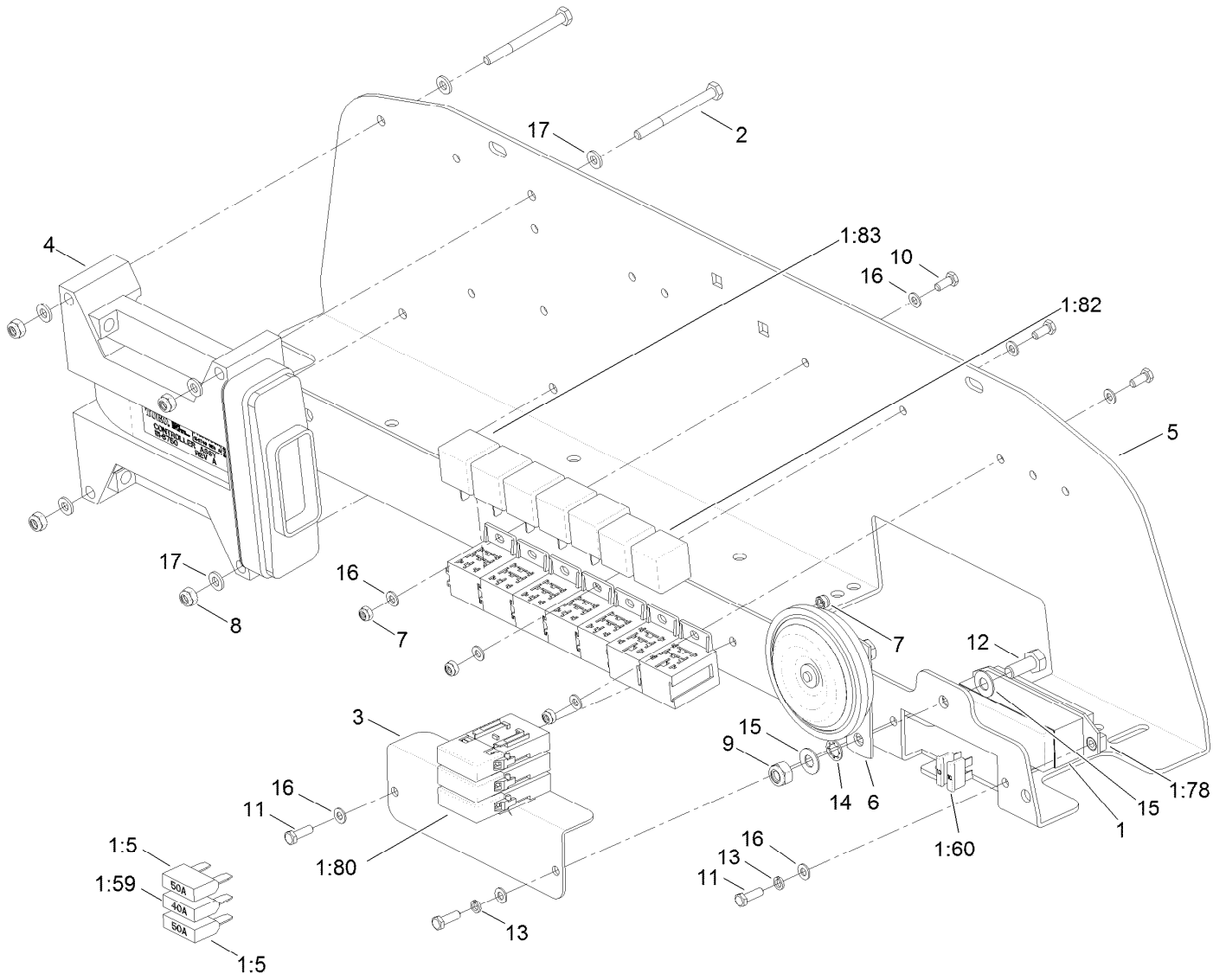


Loom Kit (continued)

<i>Ref.</i>	<i>Part Number</i>	<i>Qty.</i>	<i>Description</i>
1	111-7282	1	Kit-Loom
99	HY3966	30	Tie-Cable ●

● Not illustrated

Electrical Assembly

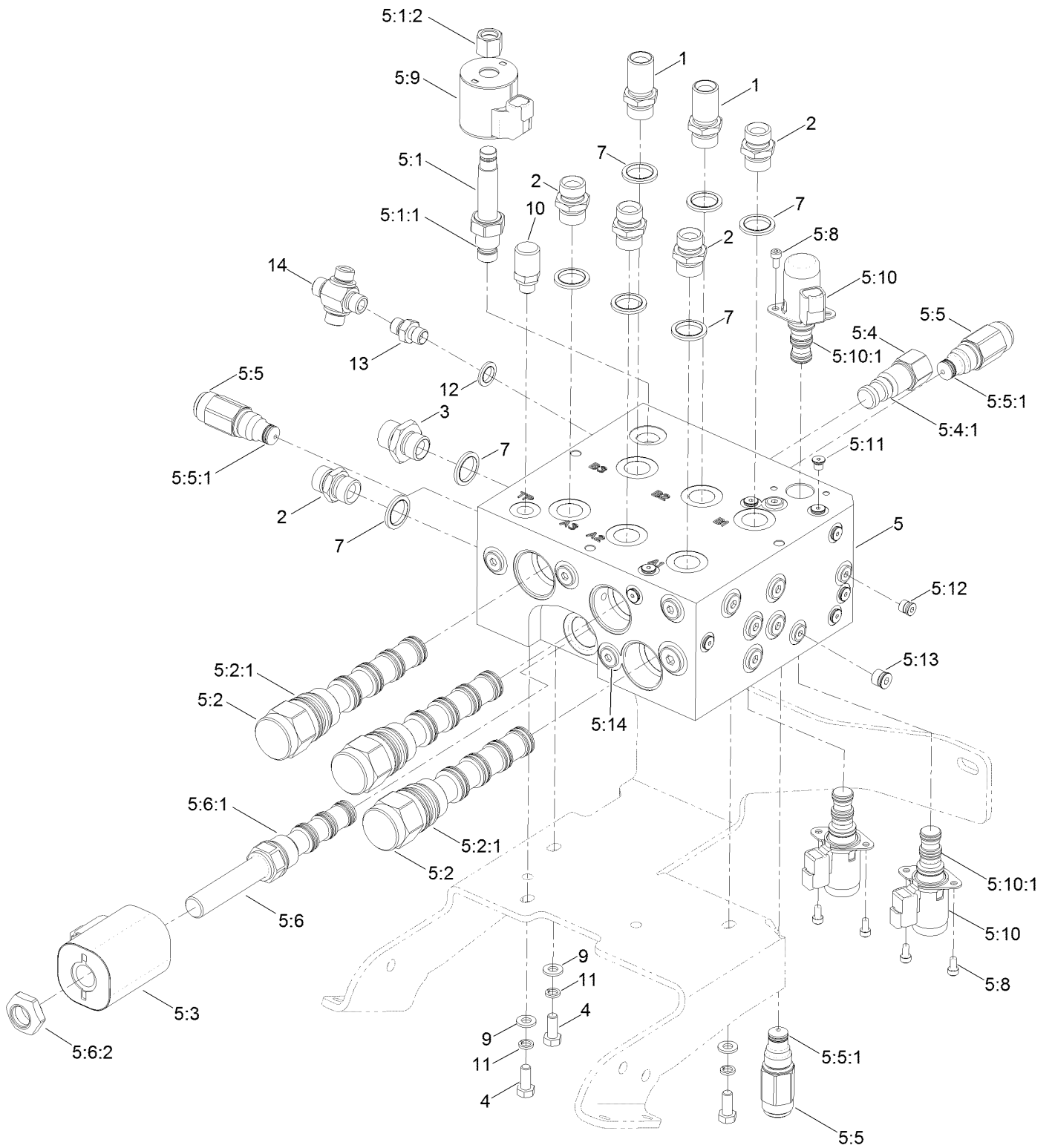


Electrical Assembly (continued)

<i>Ref.</i>	<i>Part Number</i>	<i>Qty.</i>	<i>Description</i>	<i>Ref.</i>	<i>Part Number</i>	<i>Qty.</i>	<i>Description</i>
1	111-9115	1	Harness-Main	7	09430	4	Nut-Nyloc
1:5	995714	2	Fuse-50A	8	09438	4	Nut-Nyloc
1:59	111-2898	1	Fuse-40A	9	09441	1	Nut-Hex, NI
1:60	70-09-026	3	Fuse-10A	10	ZDH1E012U	3	Screw-HH
1:78	70-09-096	1	Box-Fuse	11	ZDH1E016U	3	Screw-HH
1:80	111-0302	3	Cover	12	09368	1	Screw-HH
1:82	924625	2	Relay-70A	13	09644	2	Washer-Spring
1:83	111-0336	5	Relay-30A	14	09476	2	Washer-Shakeproof
2	09703	4	Bolt-HH	15	09475	2	Washer
3	111-4842-03	1	Bracket-Fuse	16	09470	10	Washer
4	111-8006	1	Controller ASM	17	09472	8	Washer-Plain
5	111-3037-03	1	Plate-Base, Electrical	99	111-6745	1	Harness-Manifold, Cutters ●
6	70-09-108	1	Horn ASM				

● Not illustrated

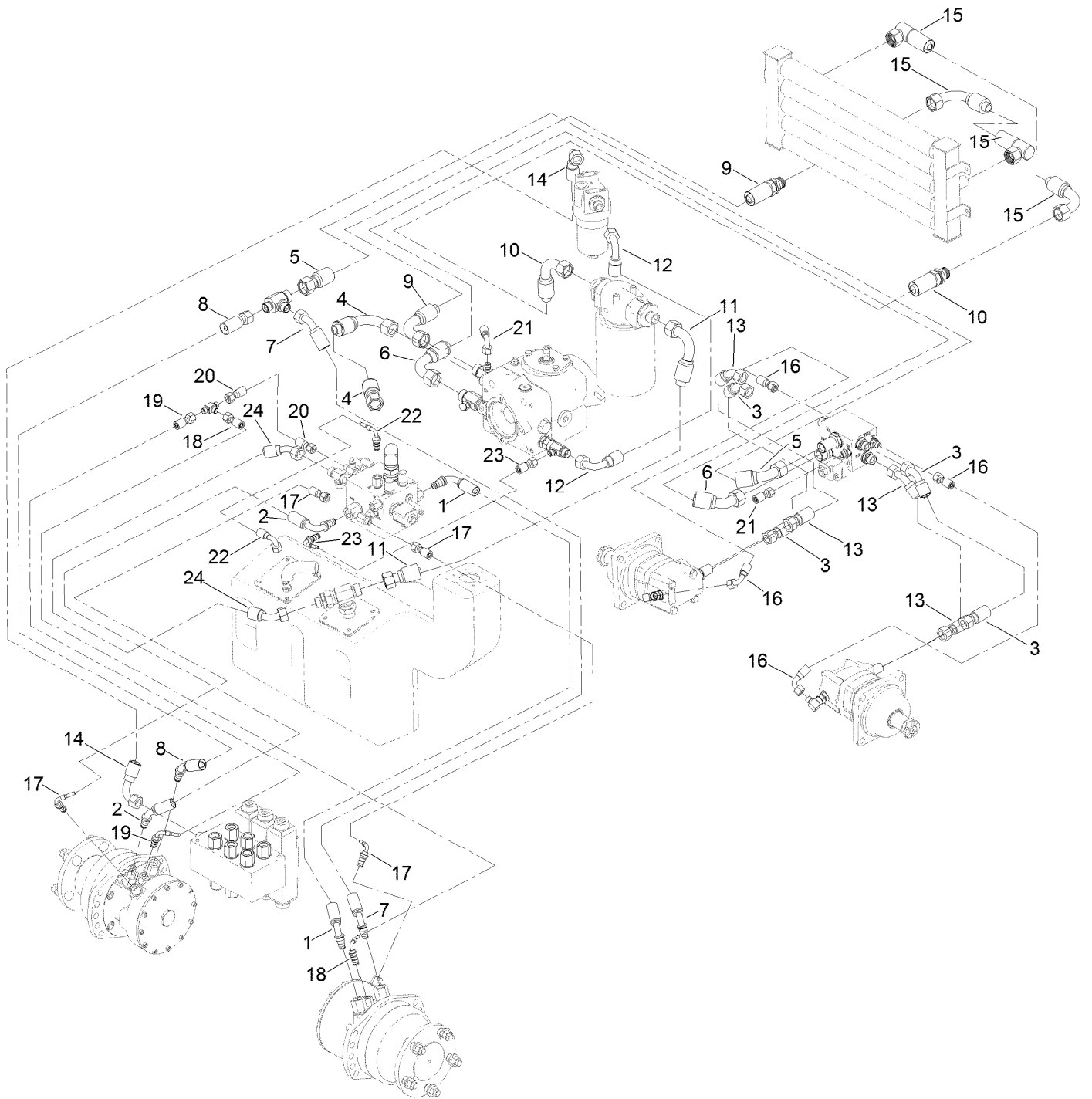
Cutter Control Manifold Assembly



Cutter Control Manifold Assembly (continued)

<i>Ref.</i>	<i>Part Number</i>	<i>Qty.</i>	<i>Description</i>	<i>Ref.</i>	<i>Part Number</i>	<i>Qty.</i>	<i>Description</i>
1	09-06-216	2	Adaptor-Bulkhead	5:6:1	111-6836	1	Seal Kit
2	10-06-078	5	Adaptor-BSPP	5:6:2	111-6840	1	Coil-Nut
3	950726	1	Adaptor-BSP	5:8	115-8733	6	Screw-HSH
4	09368	3	Screw-HH	5:9	119-4619	1	Coil-Solenoid
5	111-6597	1	Cutters Manifold ASM	5:10	125-7554	3	Valve-Solenoid
5:1	111-6825	1	Pressure-Proportional, Relief Valve	5:10:1	125-7561	1	Seal Kit
5:1:1	111-6826	1	Seal Kit	5:11	106-1024	14	Plug-Leak, Zero
5:1:2	119-2160	1	Nut-Coil	5:12	106-1025	5	Plug-HYD
5:2	111-6829	3	Valve-Spool, Piloted	5:13	106-1026	14	Plug-HYD
5:2:1	111-6830	1	Seal Kit	5:14	106-1027	2	Plug-HYD
5:3	111-6831	1	Coil-12V	7	10-06-032	8	Seal-Dowty
5:4	111-6832	1	Logic Element-Vented	9	ZWP1H000U	3	Washer-Plain
5:4:1	111-6827	1	Seal Kit	10	910615	1	Point-BSPP
5:5	111-6833	3	Relief Valve	11	03469	3	Washer-Spring
5:5:1	111-6828	1	Seal Kit	12	10-06-030	1	Seal-Dowty
5:6	111-6835	1	Valve-Solenoid	13	950733	1	Adaptor 1/4" M/Sf BSPP
				14	65-06-013	1	Cross

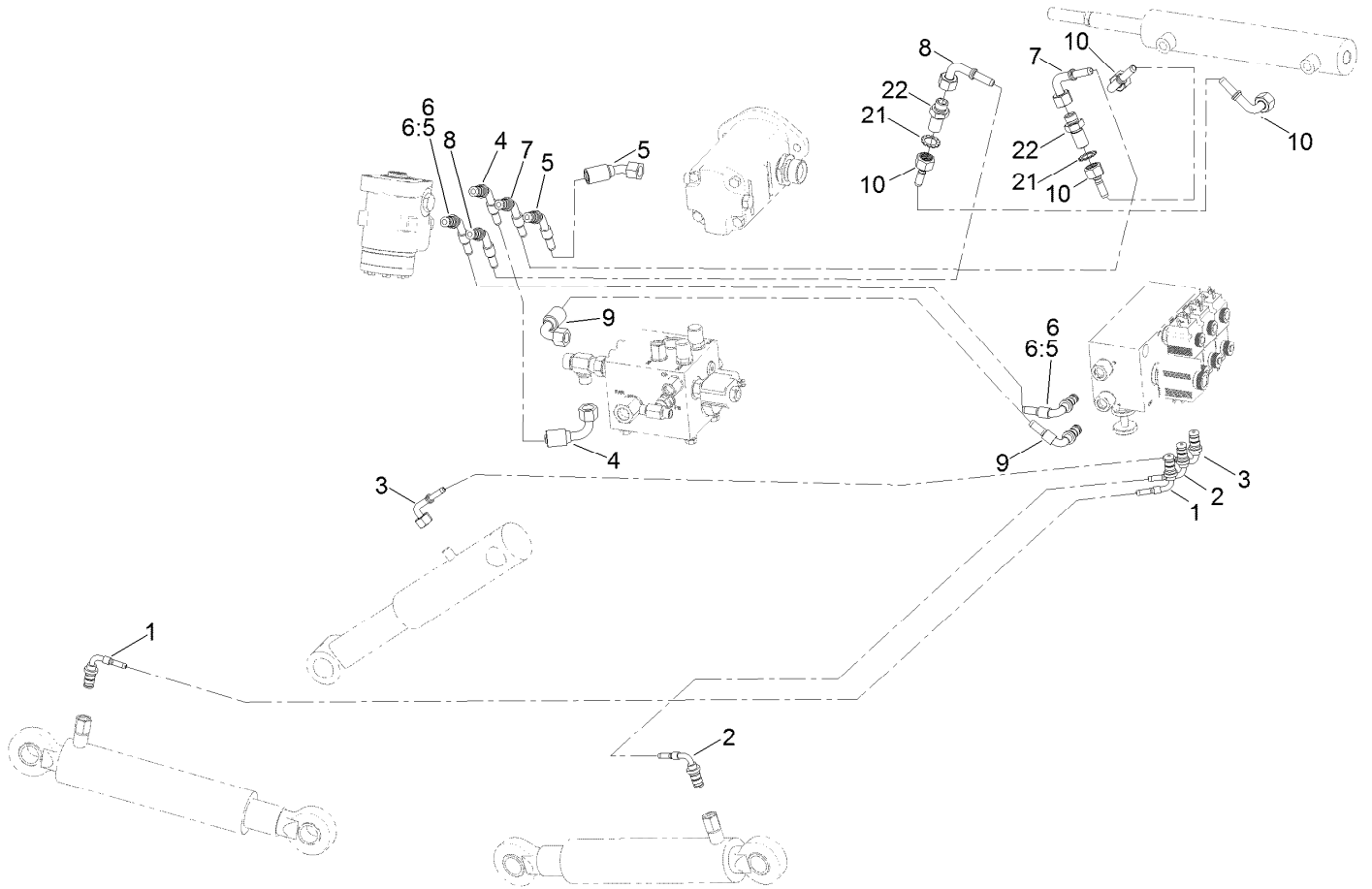
Transmission Hydraulic Circuit Assembly



Transmission Hydraulic Circuit Assembly (continued)

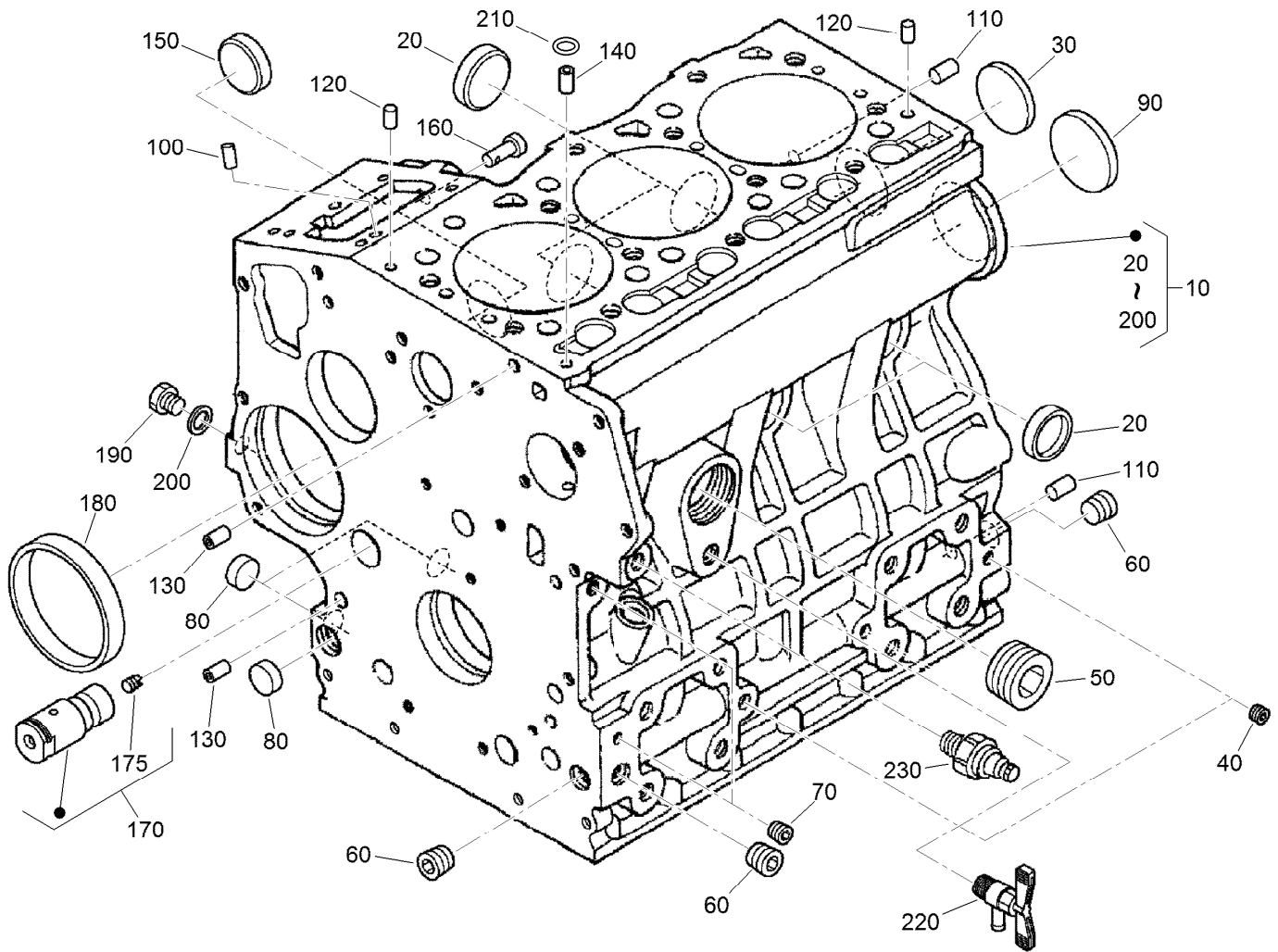
<i>Ref.</i>	<i>Part Number</i>	<i>Qty.</i>	<i>Description</i>	<i>Ref.</i>	<i>Part Number</i>	<i>Qty.</i>	<i>Description</i>
1	111-4473	1	Hose	13	111-3595	2	Hose
2	111-5521	1	Hose	14	111-6950	1	Hose
3	111-3576	2	Hose	15	111-3599	2	Hose
4	111-3577	1	Hose	16	111-3604	2	Hose
5	111-3578	1	Hose	17	111-5523	2	Hose
6	111-3579	1	Hose	18	111-3606	1	Hose
7	111-5524	1	Hose	19	111-3607	1	Hose
8	111-4477	1	Hose	20	111-3608	1	Hose
9	111-3586	1	Hose	21	111-3610	1	Hose
10	111-3587	1	Hose	22	111-3619	1	Hose
11	111-3588	1	Hose	23	111-3621	1	Hose
12	111-3593	1	Hose	24	111-3622	1	Hose

Lift/Steer Hydraulic Circuit Assembly



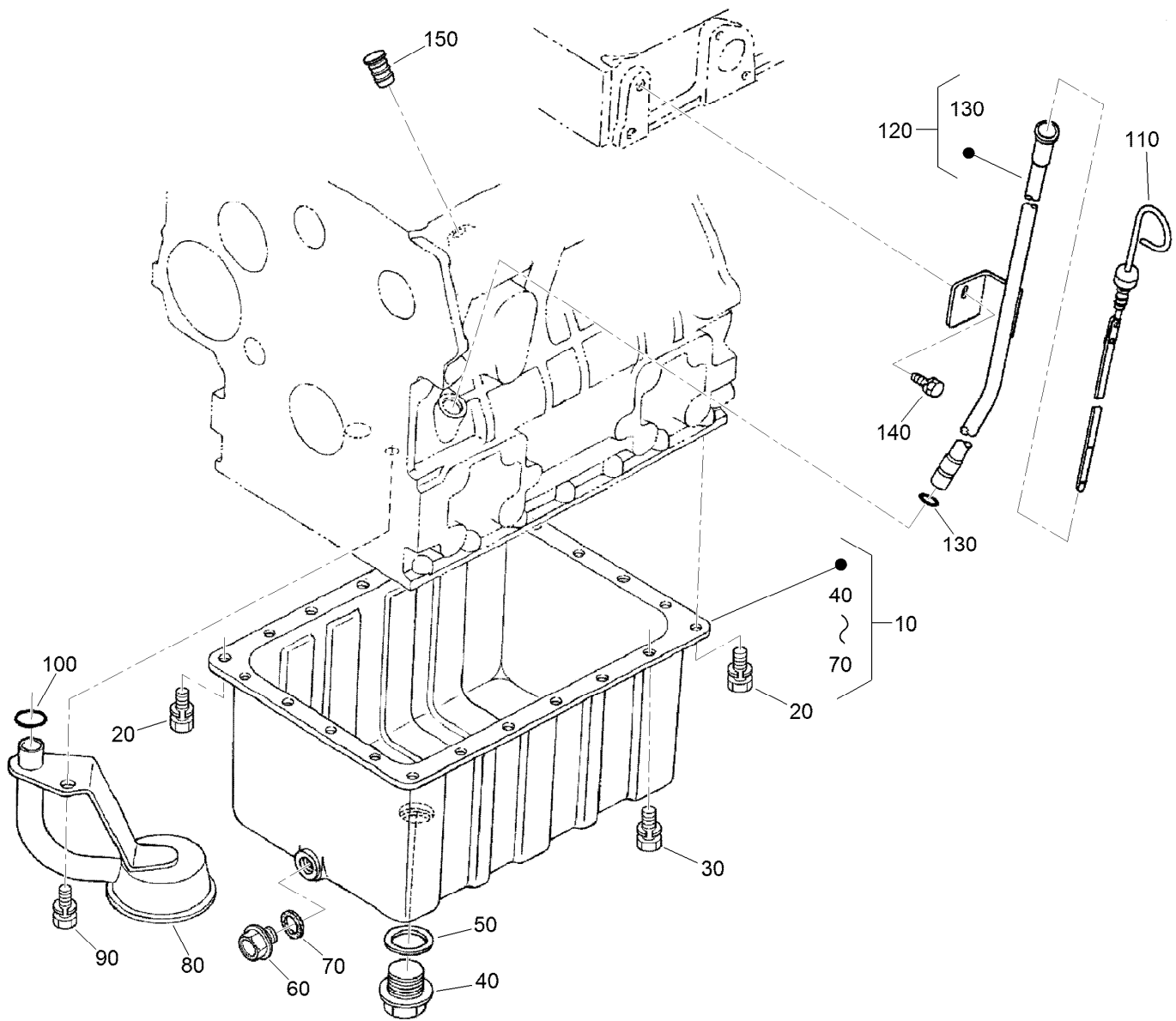
Lift/Steer Hydraulic Circuit Assembly (continued)

<i>Ref.</i>	<i>Part Number</i>	<i>Qty.</i>	<i>Description</i>	<i>Ref.</i>	<i>Part Number</i>	<i>Qty.</i>	<i>Description</i>
1	111-3602	1	Hose	6:5	111-3509	2	Adaptor
2	111-3603	1	Hose	7	111-7538	1	Hose
3	111-3611	1	Hose	8	111-7539	1	Hose
4	111-3613	1	Hose	9	111-3618	1	Hose
5	111-3614	1	Hose	10	111-7537	2	Hose
6	111-3615	1	Hose				



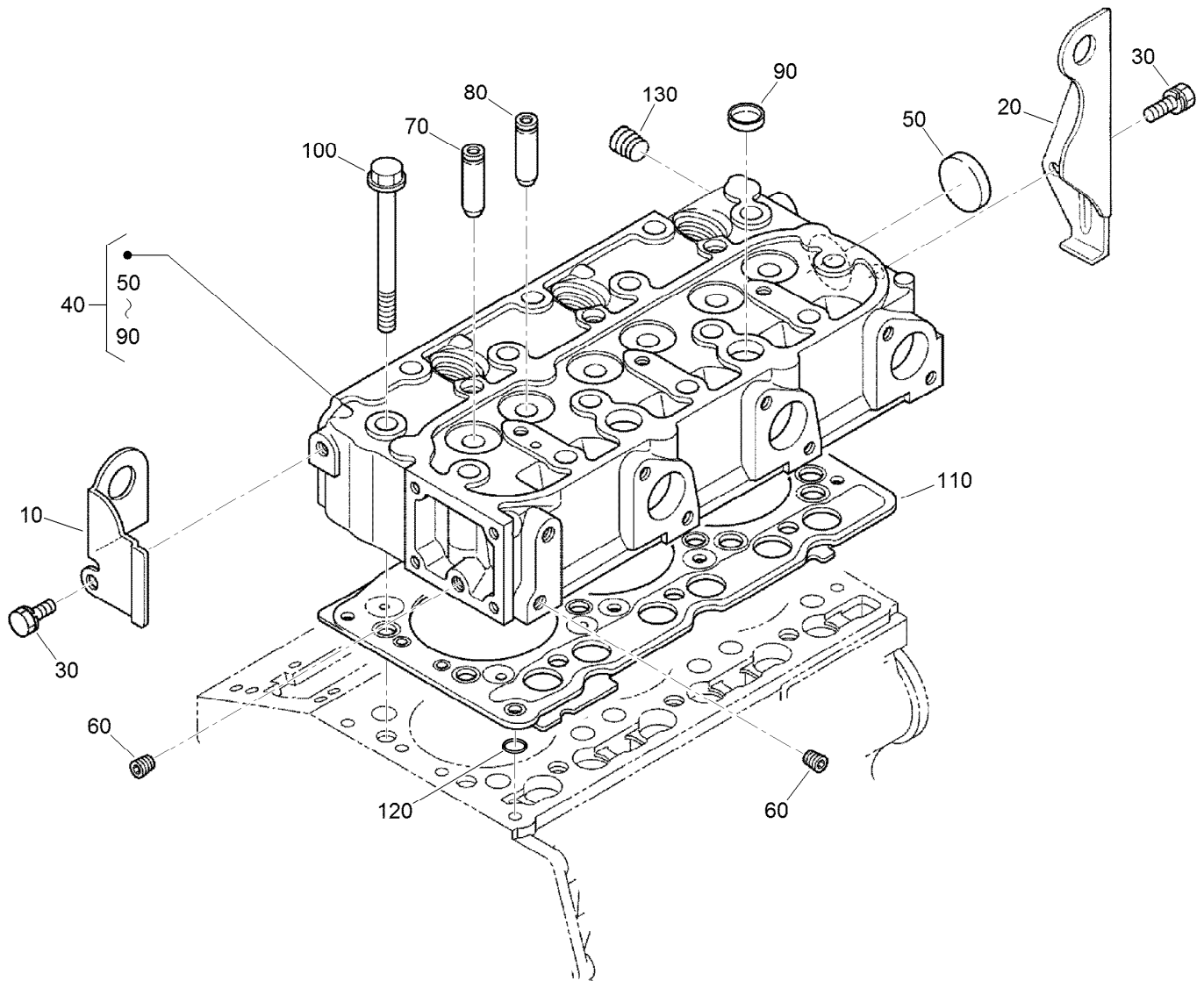
Crankcase Assembly

<i>Ref.</i>	<i>Part Number</i>	<i>Qty.</i>	<i>Description</i>	<i>Ref.</i>	<i>Part Number</i>	<i>Qty.</i>	<i>Description</i>
10	130-1566	1	Crankcase ASM	130	98-9387	2	Pin-Pipe
20	98-9398	4	Cap-Sealing	140	98-9539	1	Pin-Pipe
30	98-7539	1	Cap-Sealing	150	98-9599	1	Plug
40	98-9687	3	Plug	160	98-9630	1	Pin-Spring, Start
50	105-3779	1	Plug	170	130-1237	1	Idler Shaft ASM
60	98-9597	3	Plug	175	98-7449	1	Screw-Set
70	98-7487	2	Plug	180	98-9656	1	Bushing-Governor, Gear
80	98-9379	3	Plug-Expansion	190	98-7507	1	Plug
90	98-9668	1	Plug-Expansion	200	98-7428	1	Gasket
100	98-9375	2	Pin-Straight	210	98-7509	1	O-Ring
110	98-9377	2	Pin-Straight	220	98-9436	1	Drain Cock ASM
120	98-9376	2	Pin-Straight	230	98-7764	1	Switch-Oil



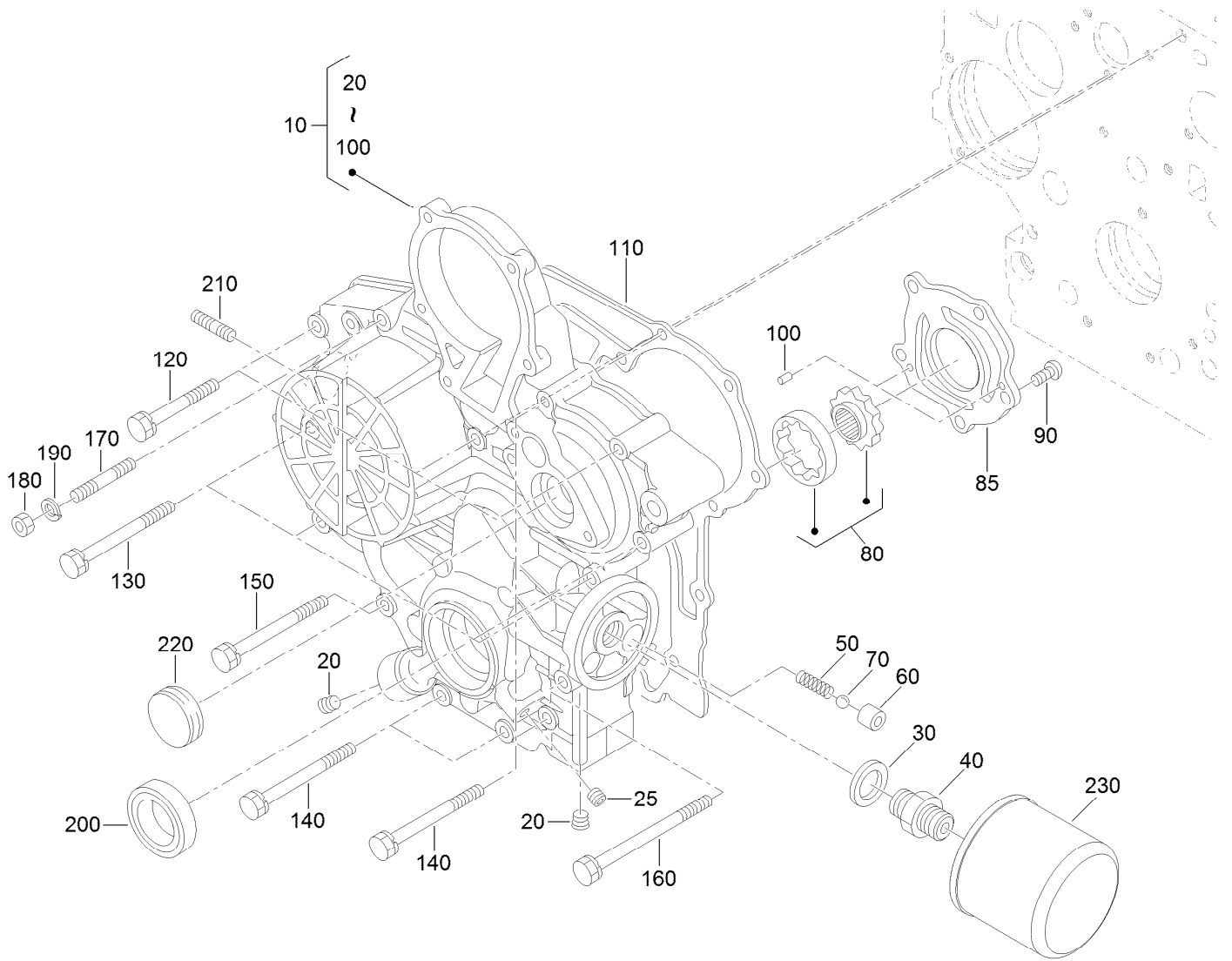
Oil Pan, Pump and Dipstick Assembly

Ref.	Part Number	Qty.	Description
10	130-1282	1	Oil Pan Kit
20	98-9351	2	Bolt
30	98-9351	22	Bolt
40	98-9686	1	Plug-Drain
50	110-9715	1	Gasket-Pan, Oil
60	114-8151	1	Plug-Drain
70	98-7524	1	Gasket
80	115-4116	1	Filter-Oil
90	98-7526	1	Bolt
100	105-3776	1	O-Ring
110	120-3124	1	Gauge-Oil
120	98-9672	1	Oil Gauge Guide ASM
130	98-9722	1	O-Ring
140	100-9195	1	Bolt
150	110-3720	1	Plug-Gauge, Oil



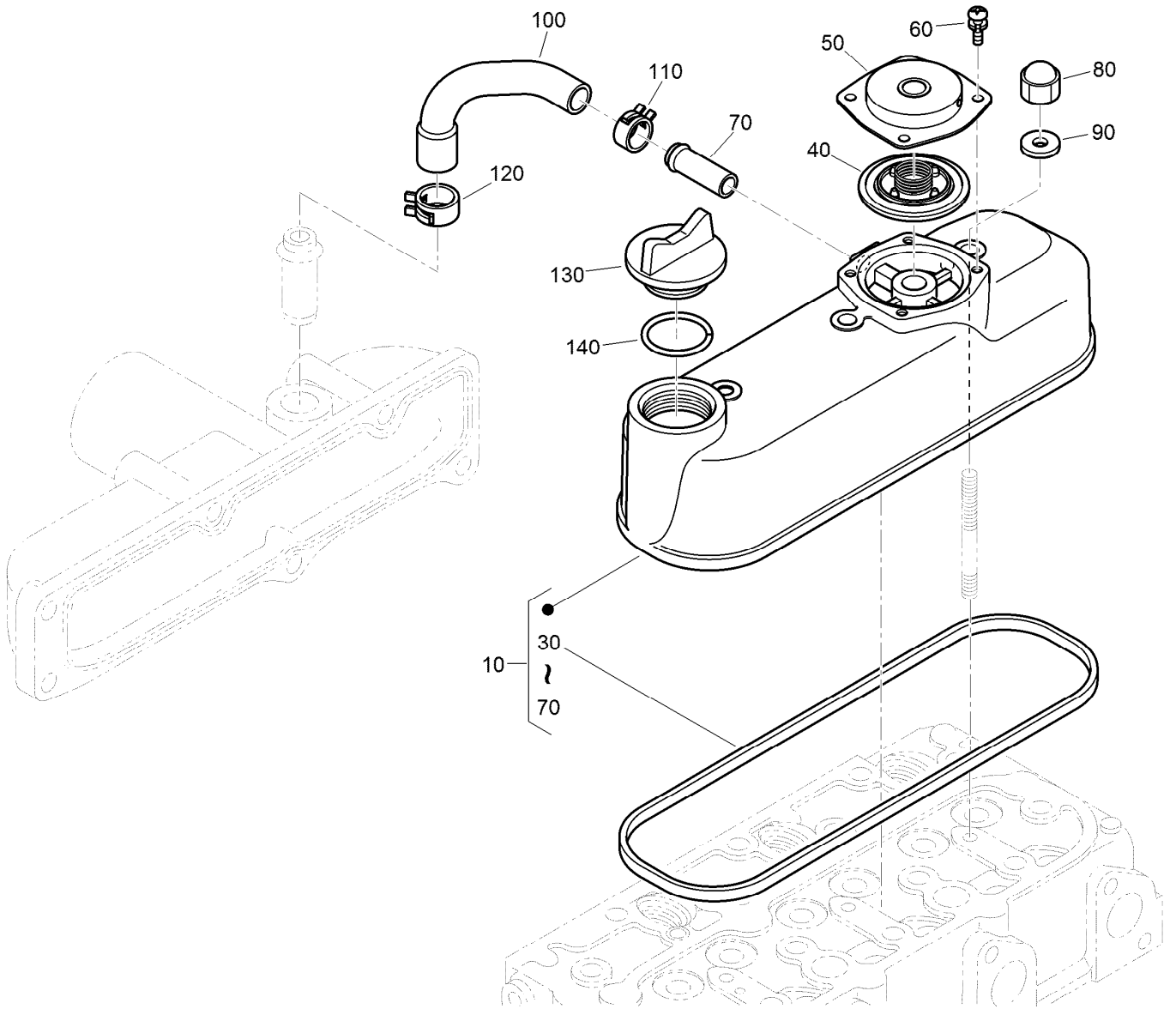
Cylinder Head Assembly

<i>Ref.</i>	<i>Part Number</i>	<i>Qty.</i>	<i>Description</i>
10	130-1231	1	Hook-Engine
20	98-9478	1	Hook-Engine
30	100-9195	2	Bolt
40	115-3445	1	Cylinder Head ASM
50	105-3705	1	Cap-Sealing
60	98-9687	2	Plug
70	107-9066	3	Guide-Valve, Inlet
80	107-9067	3	Guide-Valve, Exhaust
90	98-9389	2	Cap-Sealing
100	98-9479	14	Bolt-Head, Cylinder
110	98-9613	1	Gasket-Head, Cylinder
110	108-6573	1	Gasket-Head, Cylinder
120	98-7509	1	O-Ring
130	98-9444	1	Plug



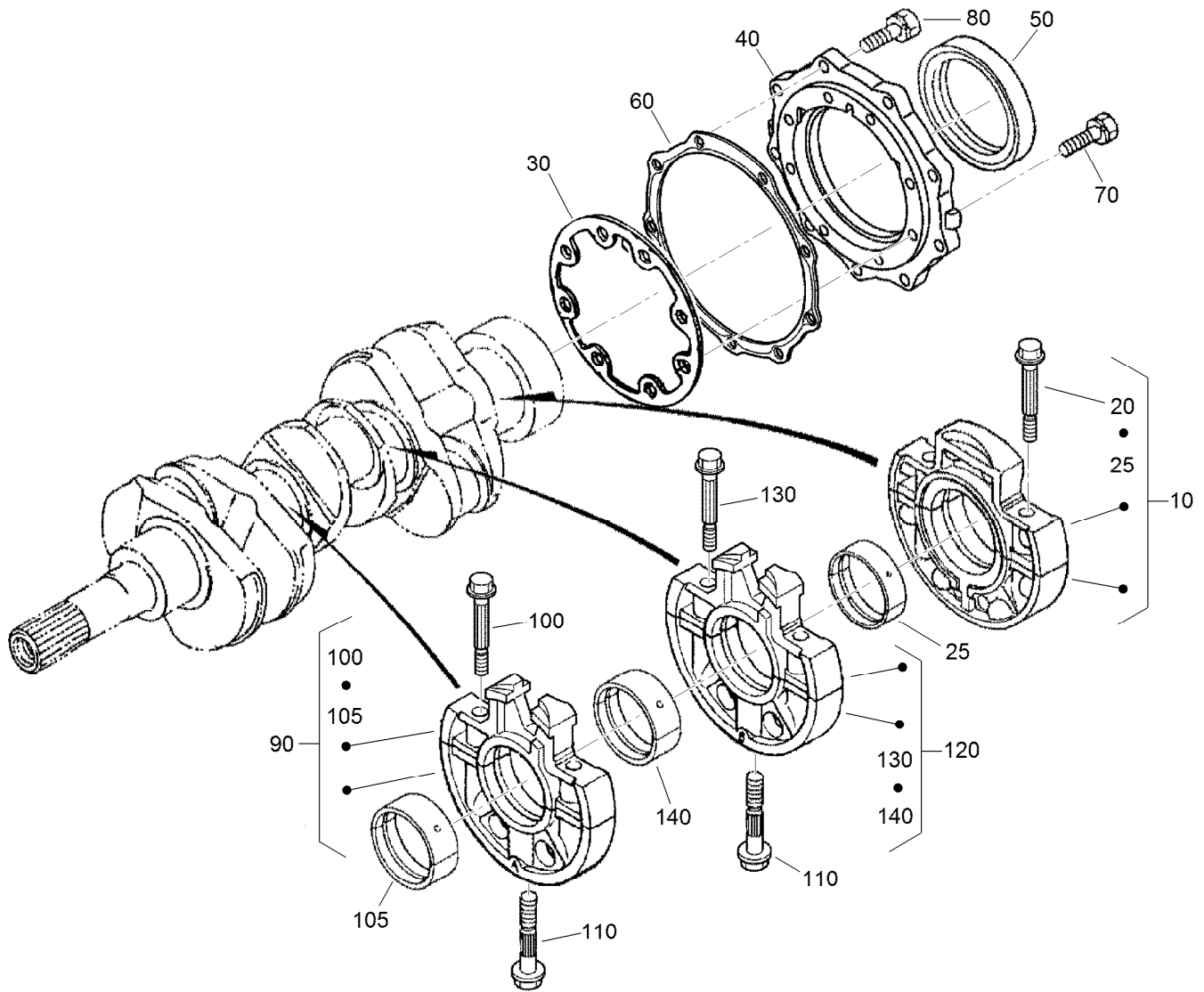
Gear Case and Oil Filter Cartridge Assembly

<i>Ref.</i>	<i>Part Number</i>	<i>Qty.</i>	<i>Description</i>	<i>Ref.</i>	<i>Part Number</i>	<i>Qty.</i>	<i>Description</i>
10	115-4105	1	Gear Case ASM	120	100-1765	3	Bolt
20	98-9598	2	Plug	130	125-9063	4	Bolt-Sems
25	98-7487	1	Plug	140	98-9356	4	Bolt
30	98-7562	1	Washer-Plain	150	107-9074	1	Bolt
40	98-9388	1	Joint-Pipe	160	98-9586	1	Bolt
50	98-9544	1	Spring	170	105-3709	1	Stud
60	98-9543	1	Seat-Valve	180	100-2203	1	Nut-Flange
70	98-9380	1	Ball	190	98-7699	1	Washer-Spring
80	98-9540	1	Oil Pump Rotor ASM	200	119-8038	1	Seal-Oil
85	107-9069	1	Cover-Pump, Oil	210	105-3710	2	Stud
90	107-9071	5	Screw	220	98-9641	1	Cover-Case, Gear
100	107-9072	2	Pin-Straight	230	108-3841	1	Filter-Oil
110	98-9633	1	Gasket-Case, Gear				



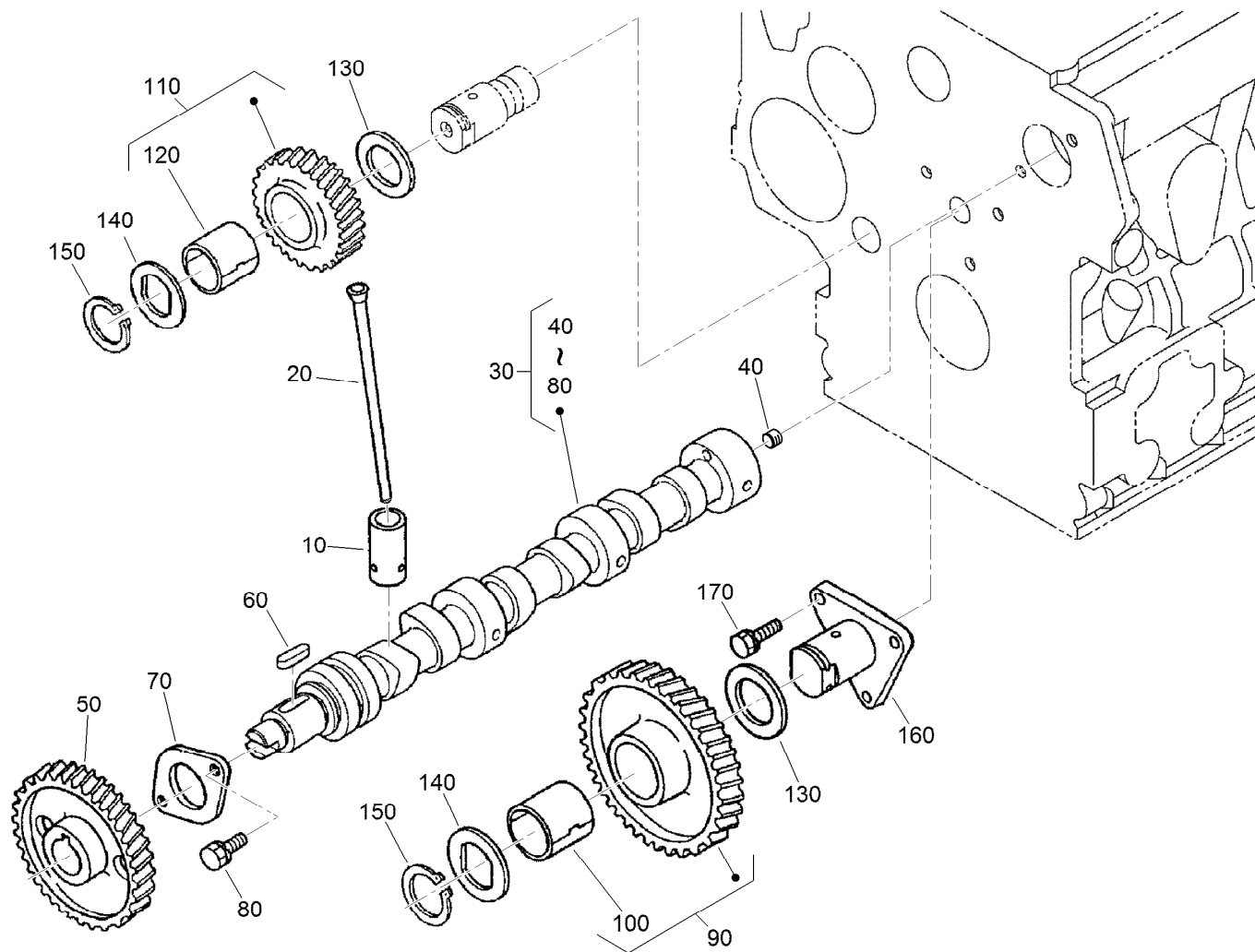
Cylinder Head Cover Assembly

Ref.	Part Number	Qty.	Description
10	130-1372	1	Cylinder Head Cover ASM
30	130-1249	1	Gasket-Head Cover
40	110-3715	1	Valve-Breather
50	110-3714	1	Cover-Breather
60	98-9364	4	Screw (With Washer)
70	98-7766	1	Pipe-Return, Water
80	98-9455	3	Nut-Cap
90	98-9454	3	Gasket
100	108-2858	1	Tube-Breather
110	108-2859	1	Clamp-Hose
120	108-2860	1	Clamp-Hose
130	107-9075	1	Plug-Filler, Oil
140	99-3446	1	O-Ring



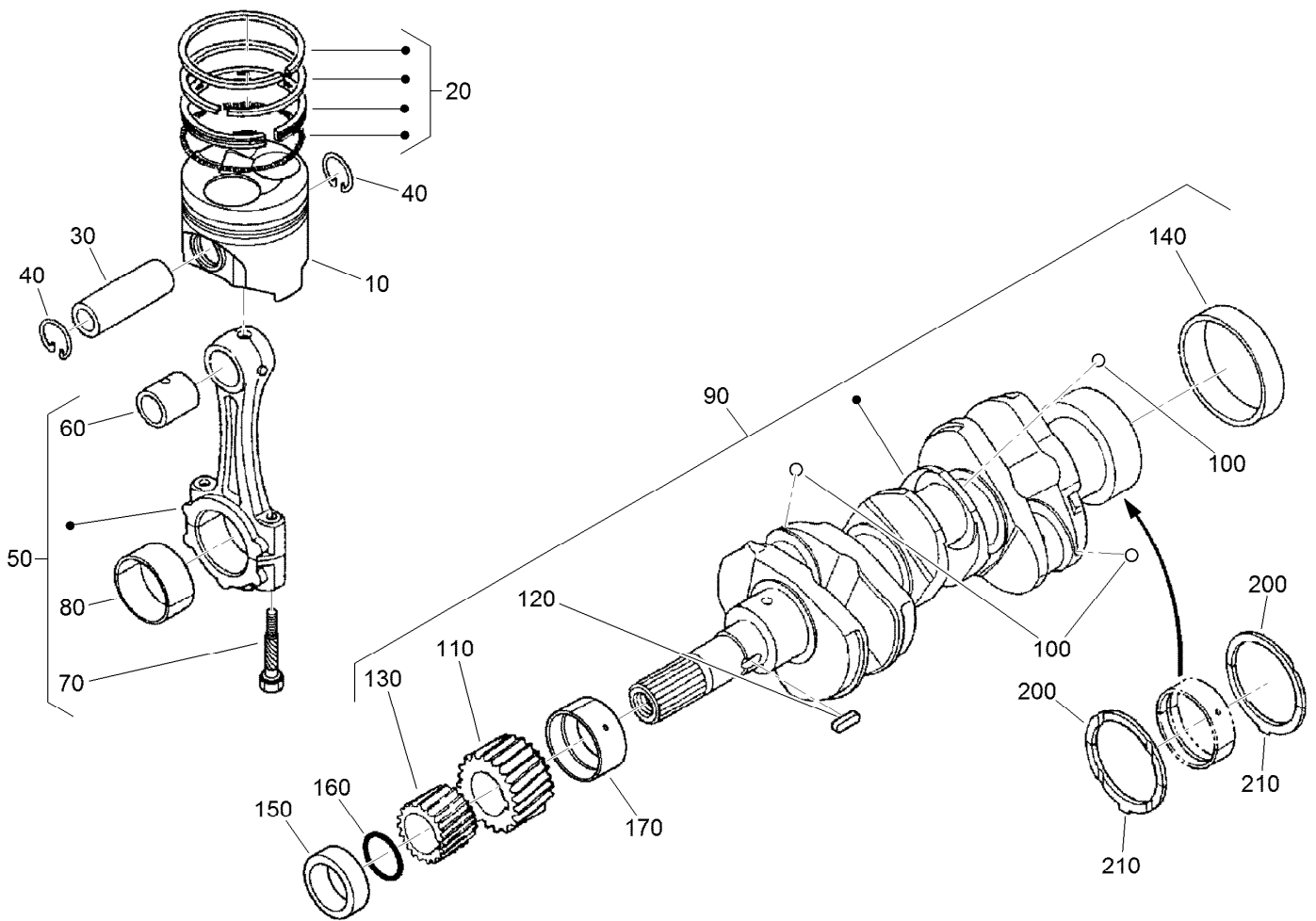
Main Bearing Case Assembly

<i>Ref.</i>	<i>Part Number</i>	<i>Qty.</i>	<i>Description</i>	<i>Ref.</i>	<i>Part Number</i>	<i>Qty.</i>	<i>Description</i>
10	112-7026	1	Wheel Bearing Case ASM	90	115-4106	1	Main Bearing Case ASM
20	98-9484	2	Bolt-Case, Bearing	100	98-9484	2	Bolt-Case, Bearing
25	115-4121	1	Metal-Crankshaft (STD)	105	98-9524	1	Metal-Crankshaft (STD Set)
25	112-7039	1	Metal-Crankshaft (0.2Mm)	105	127-0433	1	Metal-Crankshaft (-0.2Mm)
25	112-7040	1	Metal-Crankshaft (-0.4Mm)	105	98-9531	1	Bearing-Main (0.4Mm)
30	127-0440	1	Gasket-Case, Bearing	110	98-9485	2	Bolt-Case, Bearing
40	112-7046	1	Cover-Case, Bearing	120	115-4107	1	Main Bearing Case ASM
50	112-0180	1	Seal-Oil	130	98-9484	2	Bolt-Case, Bearing
60	98-9635	1	Gasket-Cover, Bearing Case	140	98-9524	1	Metal-Crankshaft (STD Set)
70	127-0441	8	Bolt	140	127-0433	1	Metal-Crankshaft (-0.2Mm)
80	127-0442	9	Bolt	140	98-9531	1	Bearing-Main (0.4Mm)



Camshaft and Idle Gear Shaft Assembly

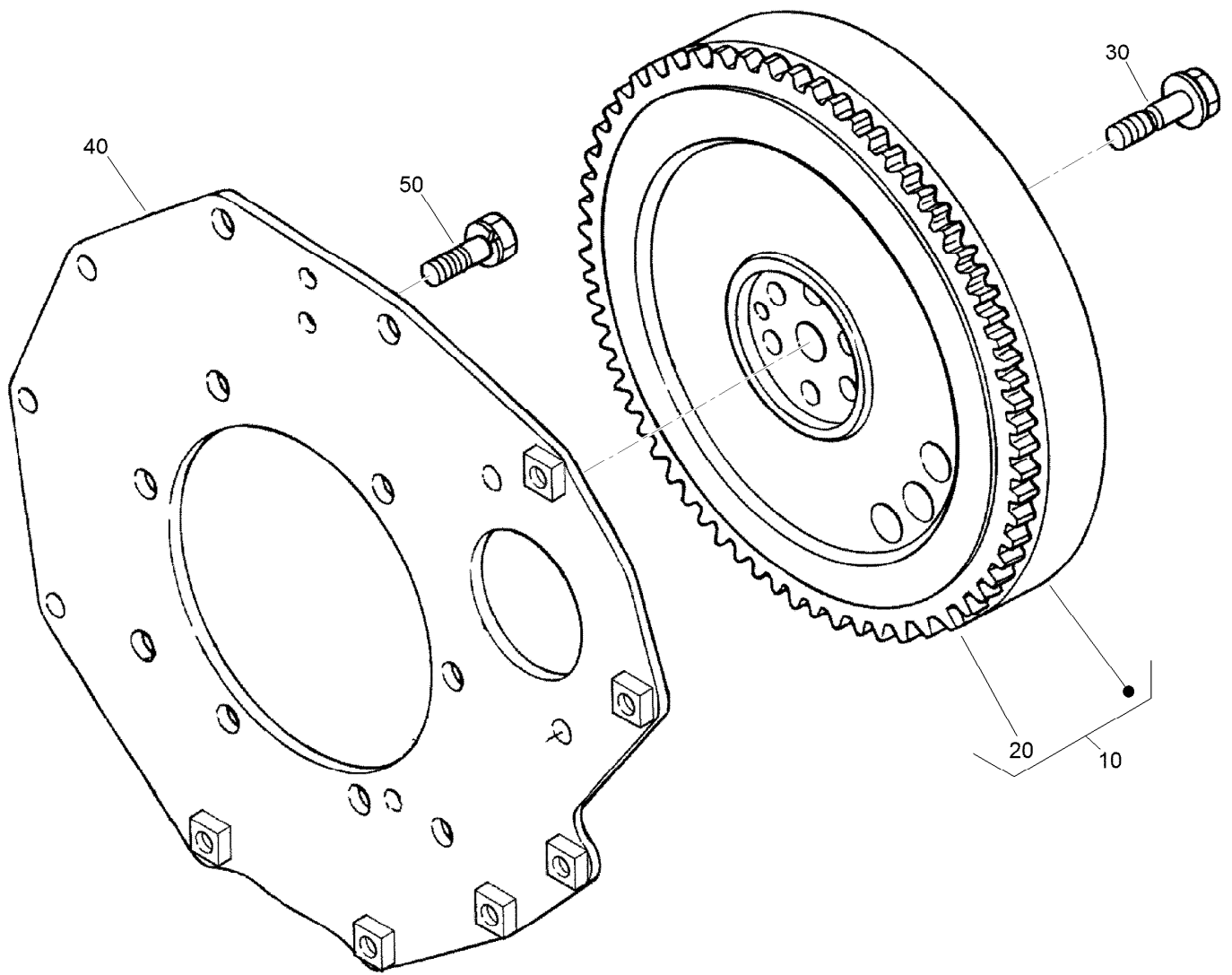
<i>Ref.</i>	<i>Part Number</i>	<i>Qty.</i>	<i>Description</i>	<i>Ref.</i>	<i>Part Number</i>	<i>Qty.</i>	<i>Description</i>
10	112-0185	6	Tappet	100	117-7585	1	Bushing-Gear, Idle
20	127-0421	6	Rod-Push	110	130-1259	1	Idler Gear ASM
30	130-1250	1	Camshaft ASM	120	117-7585	1	Bushing-Gear, Idle
40	110-3729	1	Ball	130	98-9535	2	Collar-Gear, Idle
50	98-9512	1	Gear-Cam	140	98-9536	2	Collar-Gear, Idle
60	98-9378	1	Key-Feather	150	98-9534	2	Circlip-Gear, Idle
70	98-9510	1	Stopper-Camshaft	160	98-9533	1	Shaft-Gear, Idle
80	98-7692	2	Bolt	170	98-7692	3	Bolt
90	117-7584	1	Idler Gear ASM				



Piston and Crankshaft Assembly

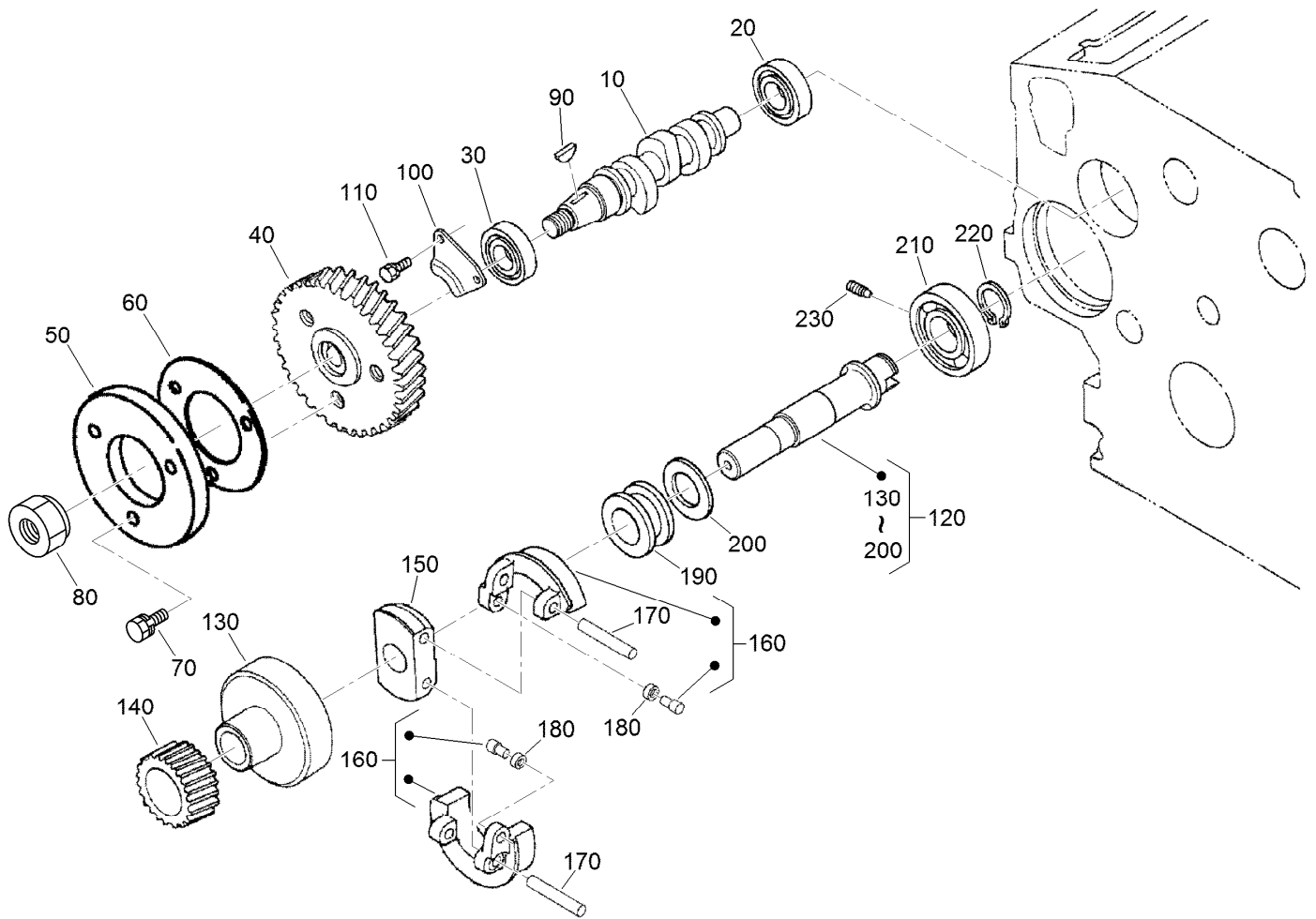
Ref.	Part Number	Qty.	Description
10	112-8404	3	Piston (STD)
10	112-8414	3	Piston (+0.5Mm)
20	98-9618	3	Piston Ring ASM (STD)
20	98-9619	3	Piston Ring ASM (0.5Mm)
30	98-9513	3	Pin-Piston
40	98-9514	6	Circlip-Pin, Piston
50	117-7586	3	Connecting Rod ASM
60	115-3014	3	Bushing-Pin, Piston
70	98-9517	6	Bolt-Rod, Connecting
80	98-9553	3	Bearing-Rod (STD)
80	117-7587	3	Metal-Crankpin (-0.2Mm)
80	117-7588	3	Metal-Crankpin (-0.4Mm)
90	98-9642	1	Crankshaft ASM
100	110-3729	3	Ball
110	117-7561	1	Gear-Crankshaft

Ref.	Part Number	Qty.	Description
120	98-9666	1	Key
130	127-0445	1	Gear-Drive, Oil Pump
140	98-9522	1	Sleeve-Crankshaft
150	127-0444	1	Collar-Crankshaft
160	105-3783	1	O-Ring
170	112-7005	1	Bearing-Main (STD)
170	98-9528	1	Bearing-Main (-0.2Mm)
170	130-1274	1	Metal-Crankshaft (-0.40Mm)
200	98-9413	2	Bearing-Thrust (STD)
200	127-0416	2	Metal-Side (+0.2Mm)
200	127-0417	2	Metal-Side (+0.40Mm)
210	98-9688	2	Bearing-Thrust (STD)
210	127-0437	2	Metal-Side (+0.2Mm)
210	127-0438	2	Metal-Side (+0.40Mm)



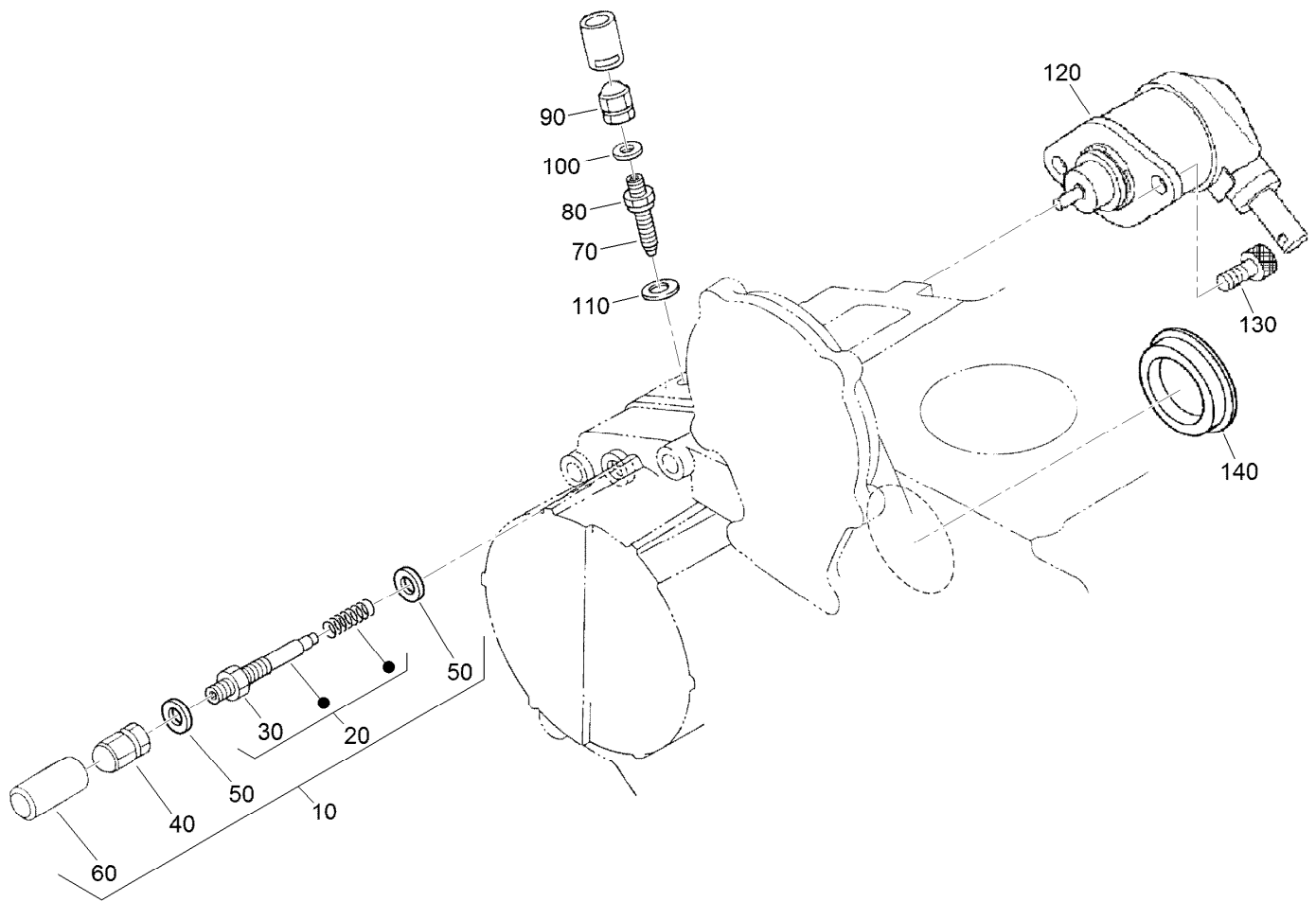
Flywheel Assembly

<i>Ref.</i>	<i>Part Number</i>	<i>Qty.</i>	<i>Description</i>
10	105-3784	1	Flywheel ASM
20	115-3015	1	Gear-Ring
30	98-9537	6	Bolt-Flywheel
40	98-9486	1	Plate-End, Rear
50	98-9392	8	Bolt



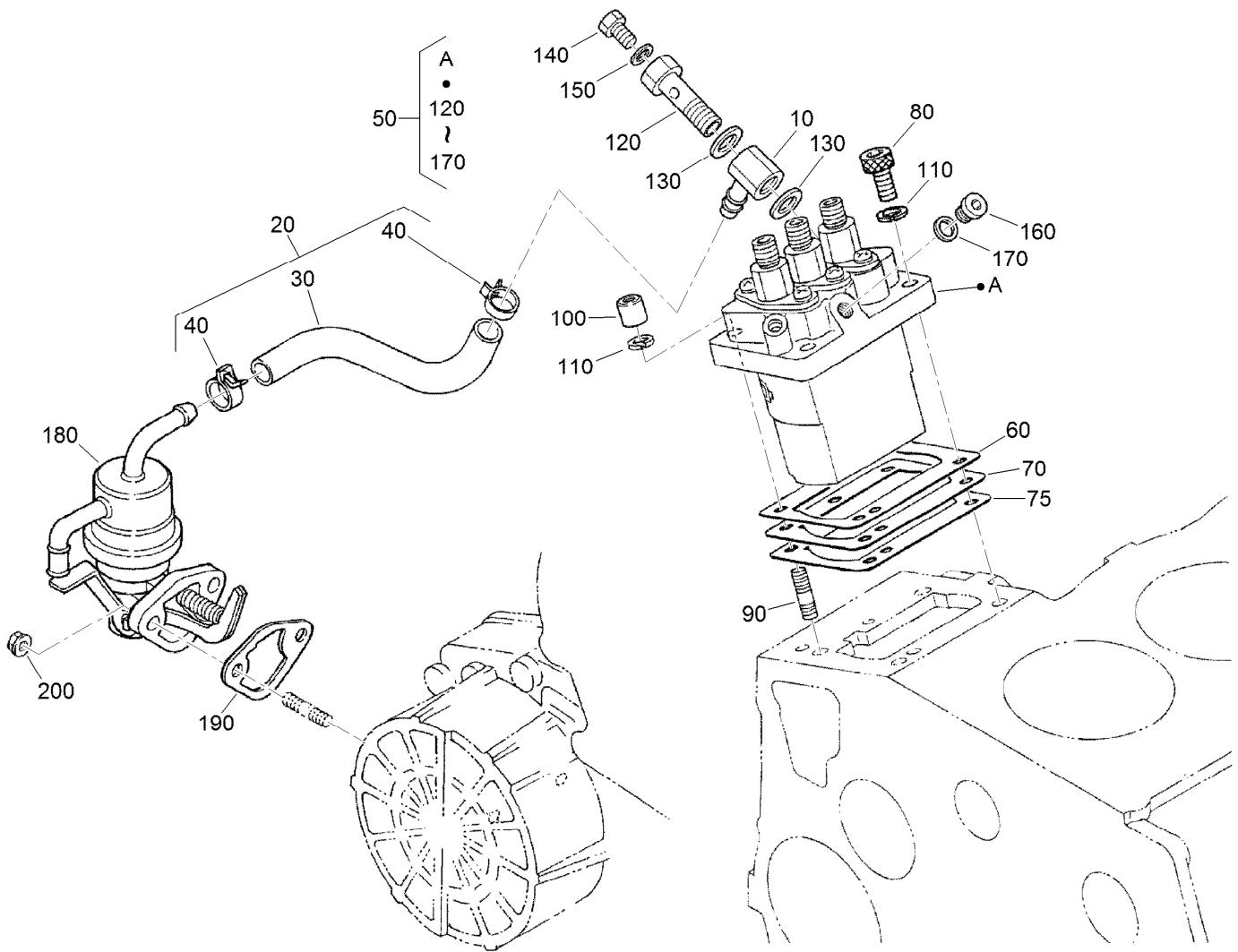
Fuel Camshaft and Governor Shaft Assembly

<i>Ref.</i>	<i>Part Number</i>	<i>Qty.</i>	<i>Description</i>	<i>Ref.</i>	<i>Part Number</i>	<i>Qty.</i>	<i>Description</i>
10	98-9459	1	Camshaft-Fuel	130	98-9562	1	Holder-Gear, Governor
20	107-9077	1	Bearing-Ball	140	130-1264	1	Gear-Governor
30	107-9078	1	Bearing-Ball	150	98-9561	1	Holder-Weight, Governor
40	98-9669	1	Gear-Pump, Injection	160	130-1263	2	Governor Weight ASM
50	130-1239	1	Cam-Fuel	170	98-9560	2	Shaft-Weight, Governor
60	98-9548	1	Washer	180	98-9692	2	Roller
70	98-9350	3	Bolt	190	98-9563	1	Sleeve-Governor
80	130-1512	1	Nut	200	98-9564	1	Washer-Thrust
90	98-9595	1	Key-Woodruff	210	107-9079	1	Bearing-Ball
100	98-9511	1	Stopper-Fuel, Camshaft	220	98-9657	1	Circlip-Shaft, Governor
110	98-7692	2	Bolt	230	98-9565	1	Screw-Set
120	130-1252	1	Governor Shaft ASM				



Idle Apparatus and Stop Solenoid Assembly

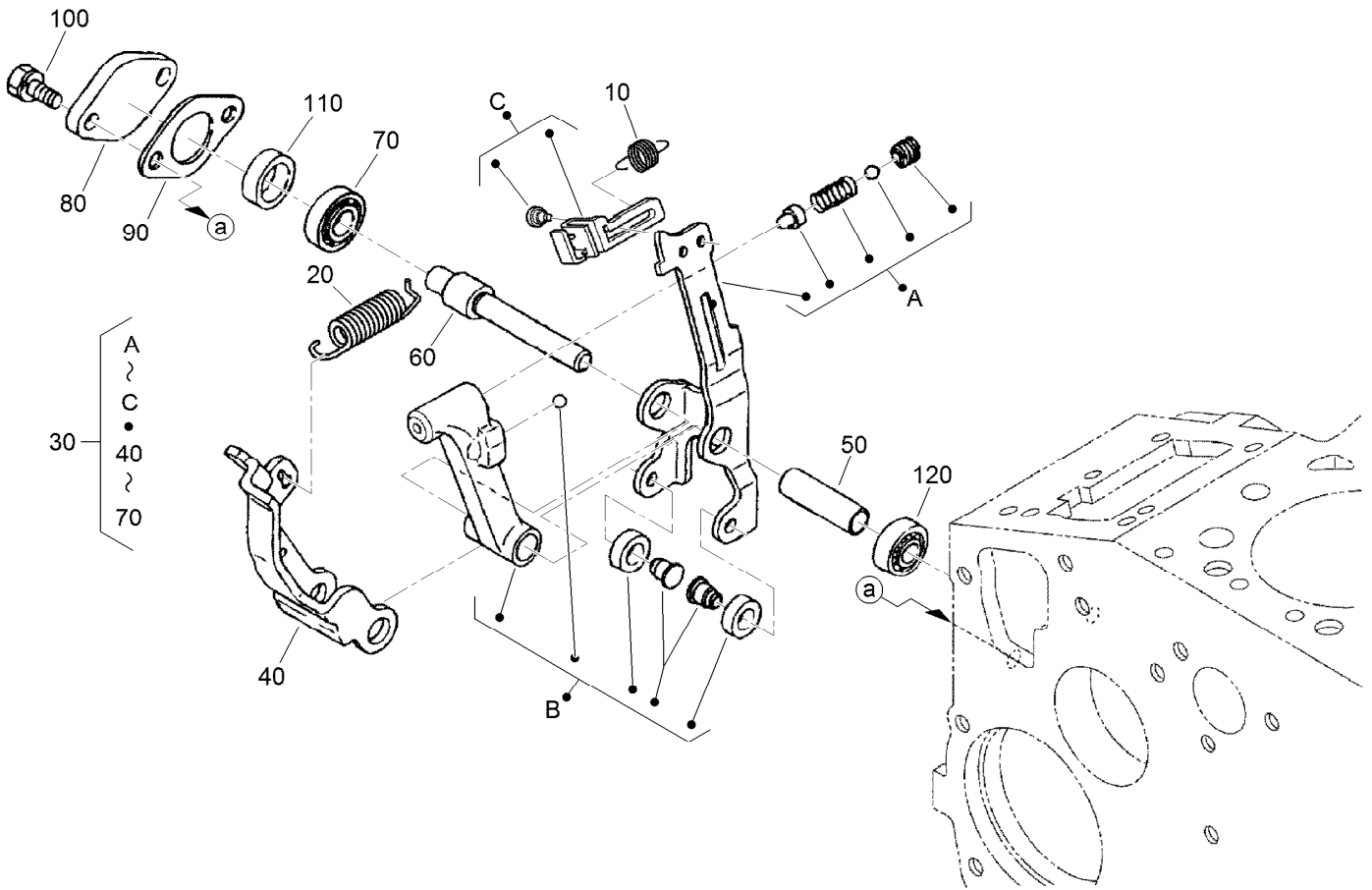
<i>Ref.</i>	<i>Part Number</i>	<i>Qty.</i>	<i>Description</i>
10	98-9678	1	Idle Apparatus ASM
20	112-7014	1	Adjusting Bolt ASM
30	98-9439	1	Nut
40	112-0181	1	Nut
50	98-7654	2	Gasket
60	98-7656	1	Cap
70	112-7015	1	Bolt-Adjusting
80	100-2175	1	Nut-Lock
90	112-0181	1	Nut
100	98-7654	1	Gasket
110	107-9081	1	Gasket
120	104-5155	1	Solenoid-Stop
130	130-1155	2	Screw-HSH
140	112-7016	1	Cover-Pump



Injection Pump and Fuel Pump Assembly

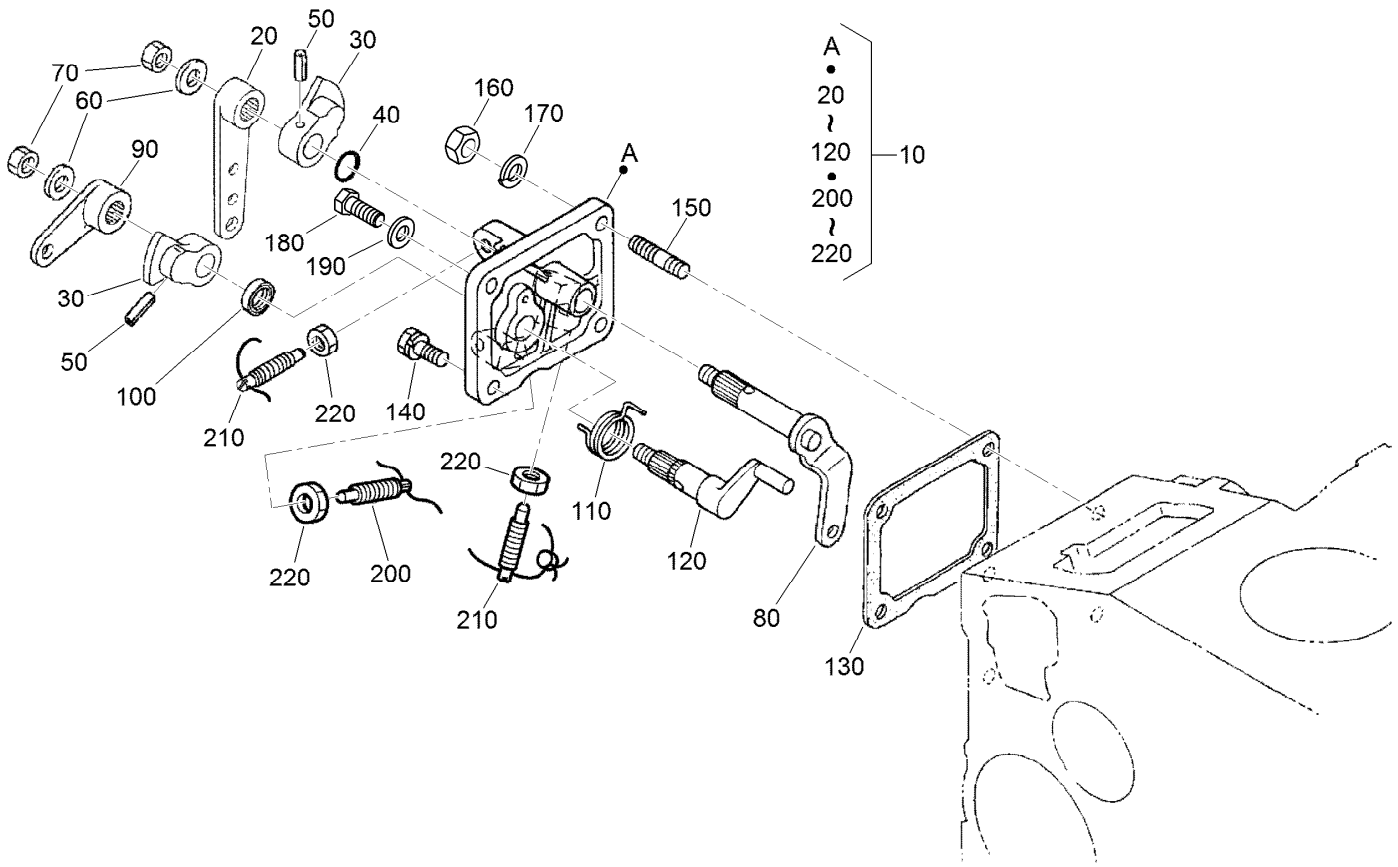
<i>Ref.</i>	<i>Part Number</i>	<i>Qty.</i>	<i>Description</i>
10	98-9596	1	Joint-Eye
20	98-9467	1	Fuel Pipe ASM
30	98-9384	1	Tube-Fuel
40	100-2217	2	Clip-Pipe
50	98-9643	1	Injection Pump ASM
60	115-3045	1	Shim-Injection (0.175Mm)
70	98-9456	1	Shim-Injection (0.20Mm)
70	98-9457	1	Shim-Injection (0.25Mm)
75	115-3046	1	Shim-Injection (0.35Mm)
75	98-9458	1	Shim-Injection (0.30Mm)
80	117-7564	2	Bolt-Hex Soc HD
90	98-9438	2	Stud

<i>Ref.</i>	<i>Part Number</i>	<i>Qty.</i>	<i>Description</i>
100	98-9440	2	Nut-Cap
110	98-7699	4	Washer-Spring
120	98-9464	1	Bolt-Joint
130	98-9445	2	Gasket
140	98-9430	1	Screw
150	98-9446	1	Gasket
160	98-9466	1	Plug
170	98-9451	1	Gasket
180	98-9677	1	Fuel Pump ASM
190	117-7562	1	Gasket-Pump, Fuel
200	100-2203	2	Nut-Flange



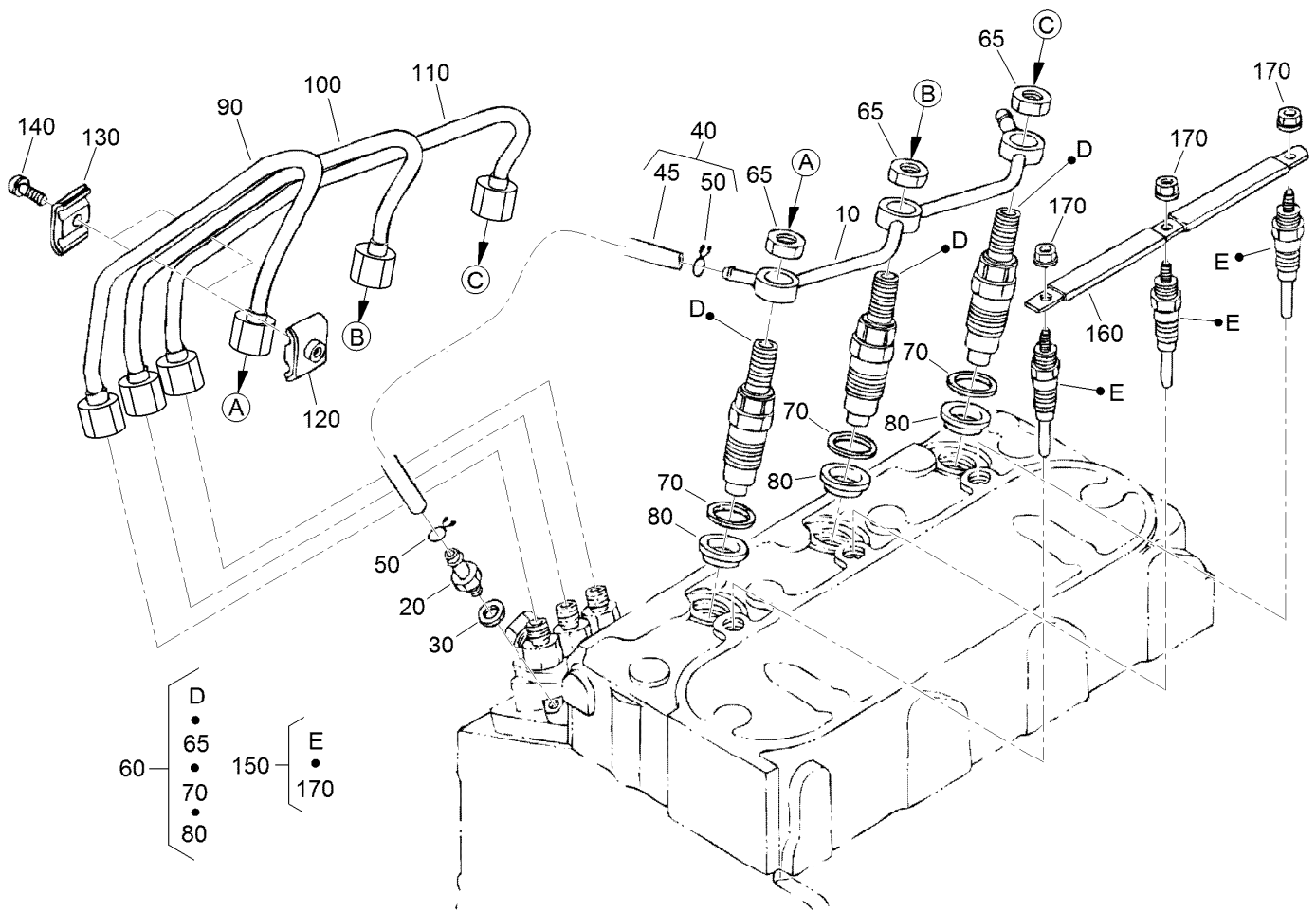
Governor Assembly

Ref.	Part Number	Qty.	Description
10	105-3786	1	Spring-Start
20	98-9681	1	Spring-Governor
30	112-7015	1	Bolt-Adjusting
40	107-9084	1	Lever-Fork
50	107-9085	1	Shaft-Lever, Fork
60	107-9086	1	Shaft-Lever, Fork
70	98-9570	1	Bearing-Miniaturize
80	115-4122	1	Cover-Shaft, Fork Lever
90	98-9682	1	Gasket
100	98-9351	2	Bolt
110	98-9567	1	Collar
120	98-9571	1	Bearing-Miniaturize



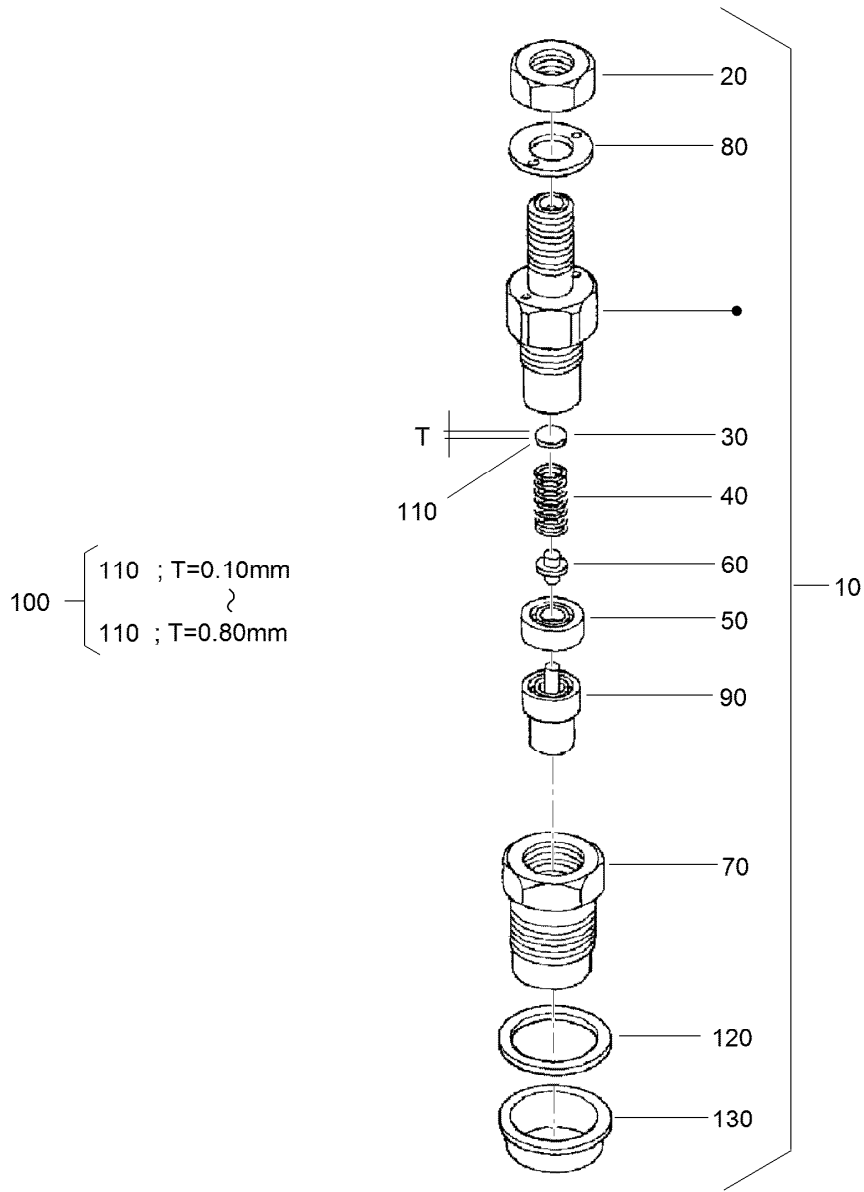
Speed Control Plate Assembly

<i>Ref.</i>	<i>Part Number</i>	<i>Qty.</i>	<i>Description</i>	<i>Ref.</i>	<i>Part Number</i>	<i>Qty.</i>	<i>Description</i>
10	98-9661	1	Control Plate ASM	120	98-9664	1	Shaft-Lever, Stop
20	98-9662	1	Lever-Control, Speed	130	98-9637	1	Gasket
30	98-9572	2	Lever-Control, Speed	140	98-7692	1	Bolt
40	105-3788	1	O-Ring	150	105-3710	2	Stud
50	98-7602	2	Pin-Spring	160	100-2203	2	Nut-Flange
60	98-9594	2	Washer-Plain	170	98-7699	2	Washer-Spring
70	98-9589	2	Nut	180	127-0401	1	Bolt-Hex
80	98-9658	1	Governor Lever ASM	190	98-7654	1	Gasket
90	98-9663	1	Lever-Stop, Engine	200	117-7566	1	Bolt-Adjusting
100	98-7601	1	Seal-Oil	210	117-7565	2	Bolt-Adjusting
110	98-9472	1	Spring-Return	220	98-7572	3	Nut



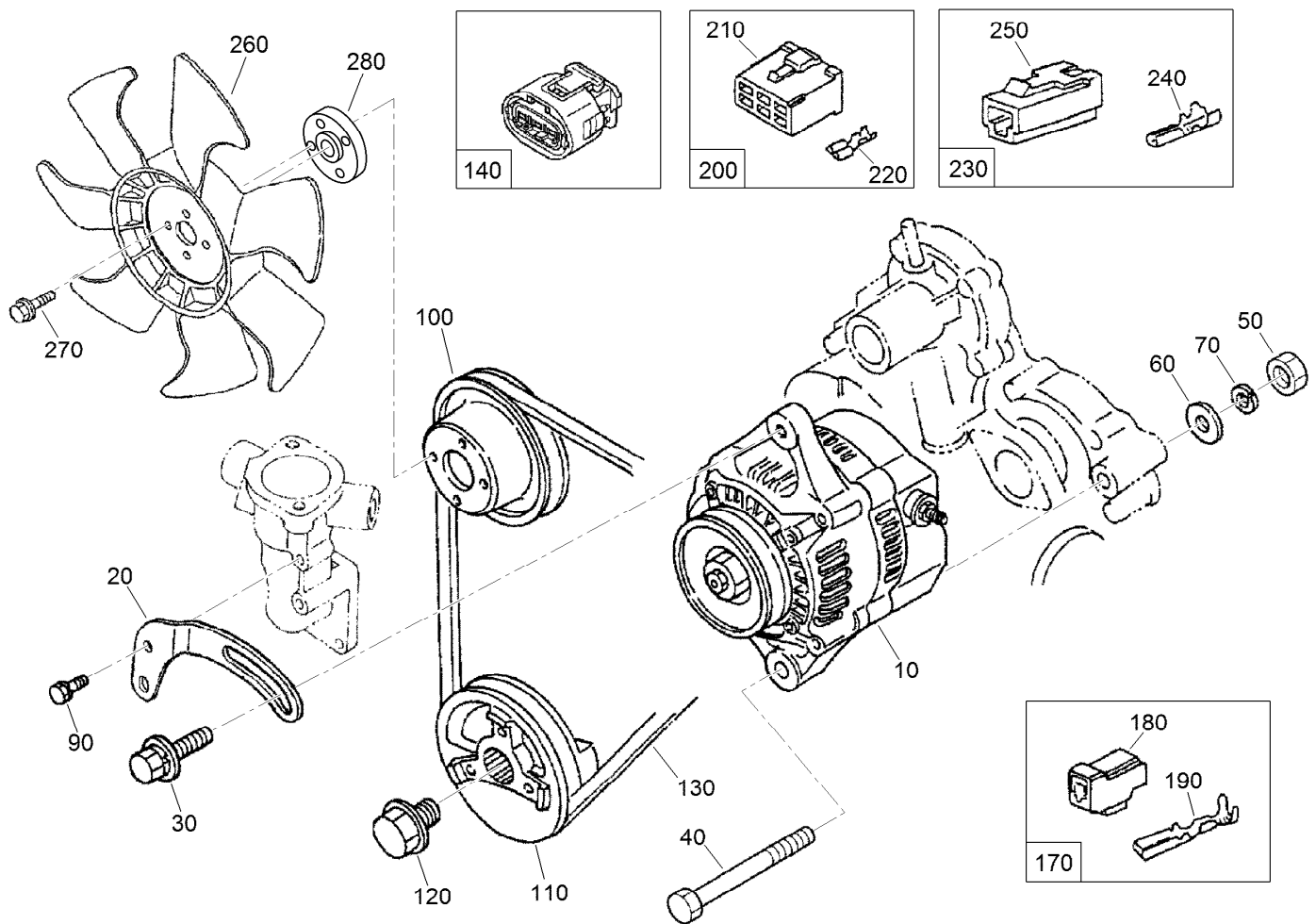
Nozzle Holder and Glow Plug Assembly

<i>Ref.</i>	<i>Part Number</i>	<i>Qty.</i>	<i>Description</i>	<i>Ref.</i>	<i>Part Number</i>	<i>Qty.</i>	<i>Description</i>
10	98-9620	1	Overflow Pipe ASM	90	98-9653	1	Pipe-Injection
20	98-9431	1	Screw-Bleeder, Air	100	98-9654	1	Pipe-Injection
30	98-7654	1	Gasket	110	98-9655	1	Pipe-Injection
40	98-9420	1	Overflow Pipe ASM	120	98-7682	2	Clamp-Pipe
45	112-0182	1	Pipe-Overflow	130	98-7683	2	Clamp-Pipe
50	98-7671	2	Clip-Pipe	140	98-7684	2	Screw (W/Washer)
60	108-2866	3	Nozzle Holder Kit	150	115-3019	3	Plug-Glow
65	121-2411	3	Nut	160	98-9631	1	Cord-Plug, Glow
70	98-7676	3	Gasket	170	99-8377	3	Nut-Flange
80	98-7677	3	Seal-Heat				



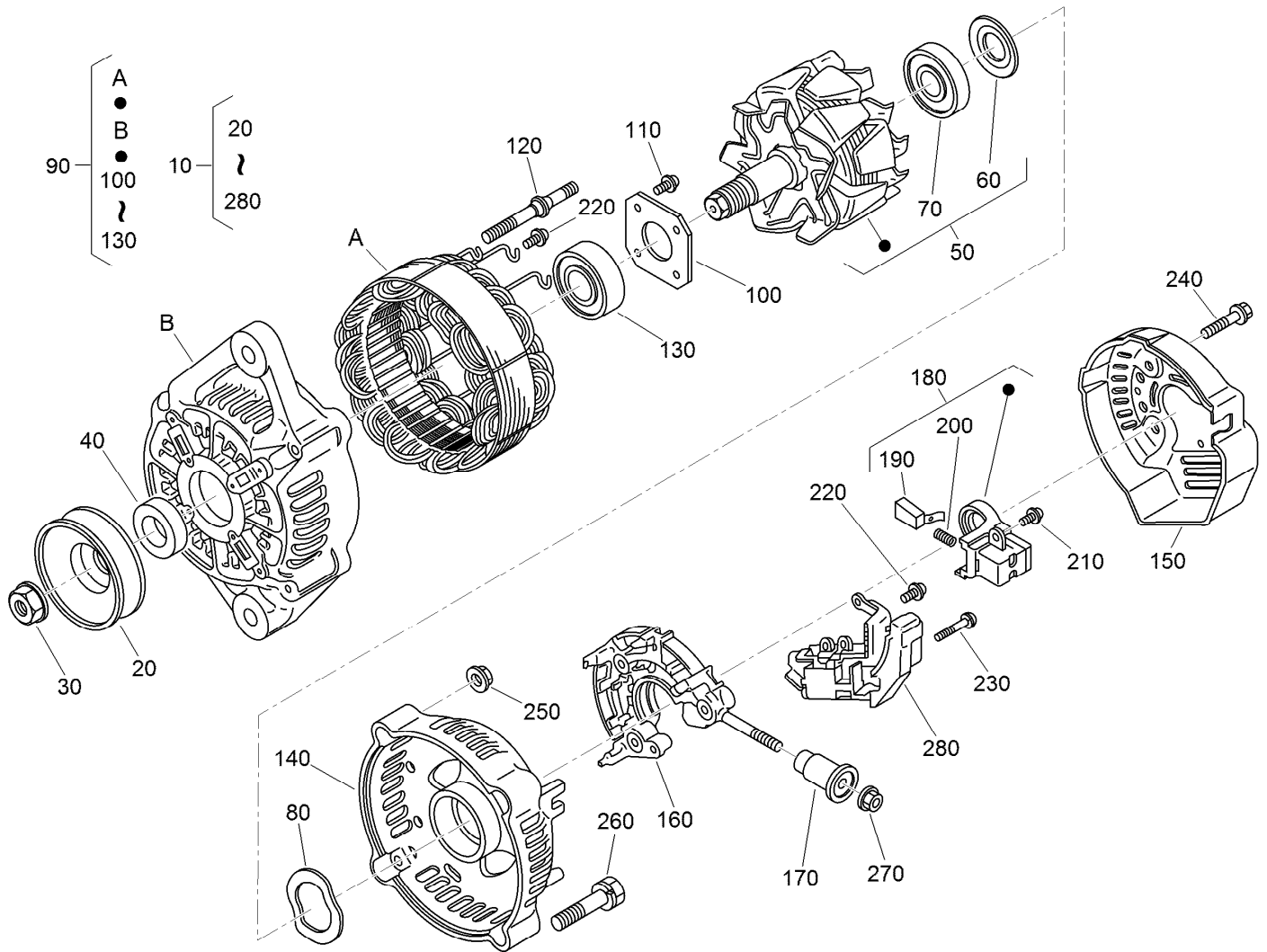
Nozzle Holder Assembly

Ref.	Part Number	Qty.	Description	Ref.	Part Number	Qty.	Description
10	108-2866	3	Nozzle Holder Kit	110	99-8311	3	Washer-Adjust (0.20Mm)
20	99-8301	3	Nut	110	99-8312	3	Washer-Adjust (0.30Mm)
30	99-8302	3	Washer-Adjusting	110	99-8313	3	Washer-Adjust (0.40Mm)
40	99-8303	3	Spring-Nozzle	110	99-8314	3	Washer-Adjust (0.50Mm)
50	99-8304	3	Spacer-Distance	110	99-8315	3	Washer-Adjust (0.52Mm)
60	99-8305	3	Rod-Push	110	99-8316	3	Washer-Adjust (0.54Mm)
70	99-8306	3	Nut-Nozzle	110	99-8317	3	Washer-Adjust (0.56Mm)
80	99-8307	3	Washer-Plain	110	99-8318	3	Washer-Adjust (0.58Mm)
90	107-7826	3	Piece-Nozzle	110	99-8319	3	Washer-Adjust (0.80Mm)
100	99-8309	3	Adjusting Washer ASM	120	98-7676	3	Gasket
110	99-8310	3	Washer-Adjust (0.10Mm)	130	98-7677	3	Seal-Heat



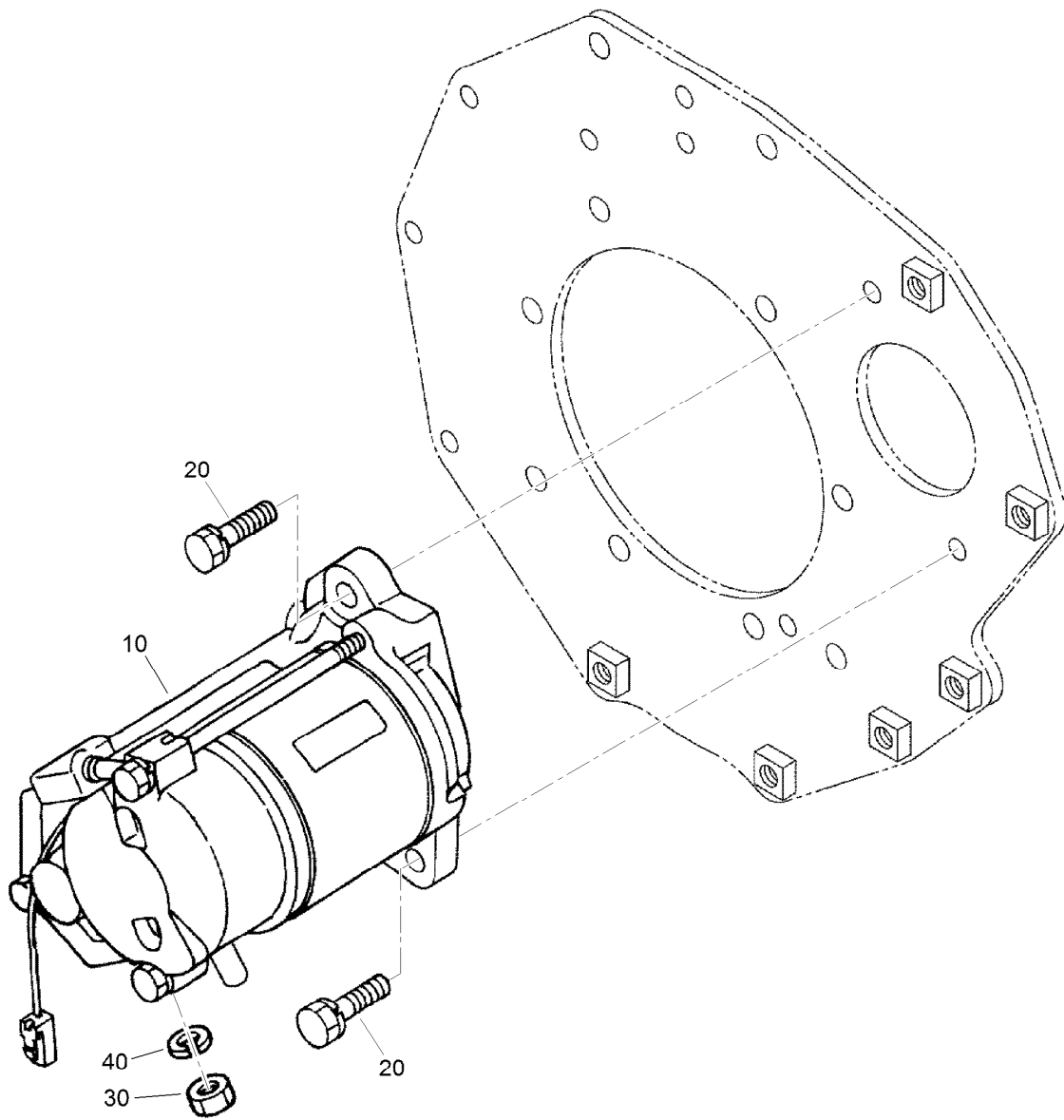
Alternator and Pulley Assembly

Ref.	Part Number	Qty.	Description	Ref.	Part Number	Qty.	Description
10	121-3811	1	Alternator ASM	170	115-8600	1	Coupler ASM
20	112-7047	1	Stay-Dynamo	180	115-8601	1	Connector
30	108-7088	1	Bolt	190	115-8602	2	Terminal
40	98-9360	1	Bolt	200	130-1290	1	Connector Coupler ASM
50	98-7737	1	Nut	210	98-9697	1	Connector
60	98-9366	1	Washer-Plain	220	98-9699	2	Terminal
70	98-7738	1	Washer-Spring	230	130-1328	1	Terminal
90	98-7692	1	Bolt	240	130-1175	1	Connector
100	98-9584	1	Pulley-Fan	250	130-1176	1	Terminal
110	98-9473	1	Pulley-Drive, Fan	260	130-4597	1	Fan-Cooling
120	98-9585	1	Bolt	270	99-8363	4	Bolt-Flange
130	98-9676	1	V-Belt	280	130-4598	1	Collar-Fan
140	130-1291	1	Connector ASM				



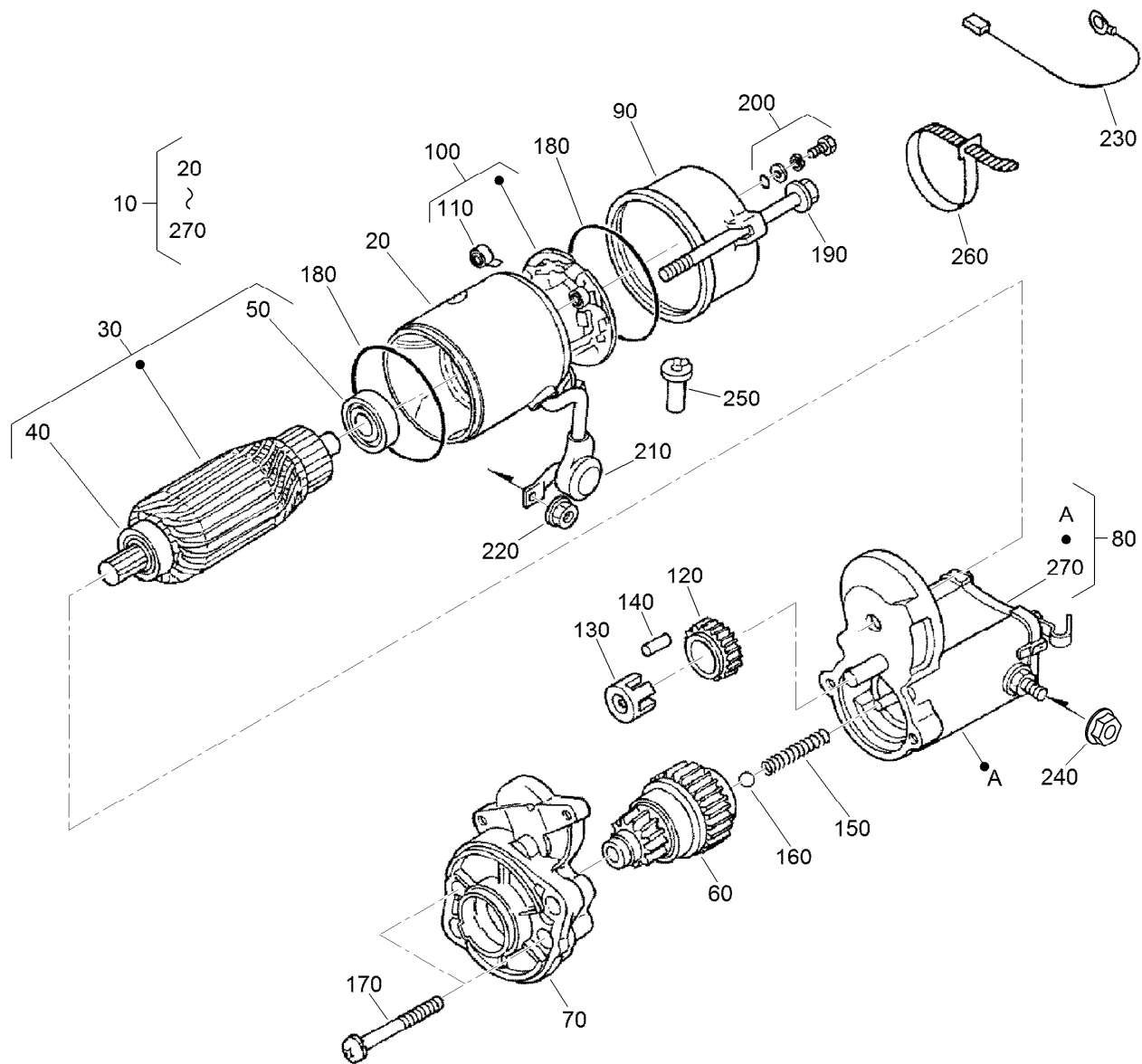
Alternator Components Assembly

<i>Ref.</i>	<i>Part Number</i>	<i>Qty.</i>	<i>Description</i>	<i>Ref.</i>	<i>Part Number</i>	<i>Qty.</i>	<i>Description</i>
10	121-3811	1	Alternator ASM	150	121-3813	1	Cover-End
20	98-9453	1	Pulley-Dynamo	160	121-3805	1	Rectifier ASM
30	98-7708	1	Nut	170	117-0321	1	Insulation-Brush
40	98-7709	1	Collar	180	107-0141	1	Brush Holder ASM
50	107-0136	1	Rotor ASM	190	98-7724	2	Brush
60	98-7711	1	Cover-Bearing	200	98-7725	2	Spring-Brush
70	107-0138	1	Bearing-Ball	210	98-7726	2	Screw-Head, Round
80	98-7713	1	Washer-Thrust	220	98-7727	6	Screw-Head, Round
90	107-0139	1	Drive End Frame ASM	230	98-7728	1	Screw-Head, Round
100	98-7715	1	Plate-Retainer	240	98-7729	3	Bolt
110	98-7716	4	Screw-Head, Round	250	98-7730	2	Nut
120	98-7717	2	Bolt-Through	260	98-7731	2	Bolt
130	107-0137	1	Bearing-Ball	270	98-7732	1	Nut
140	121-3812	1	Frame-End	280	121-3809	1	Regulator ASM



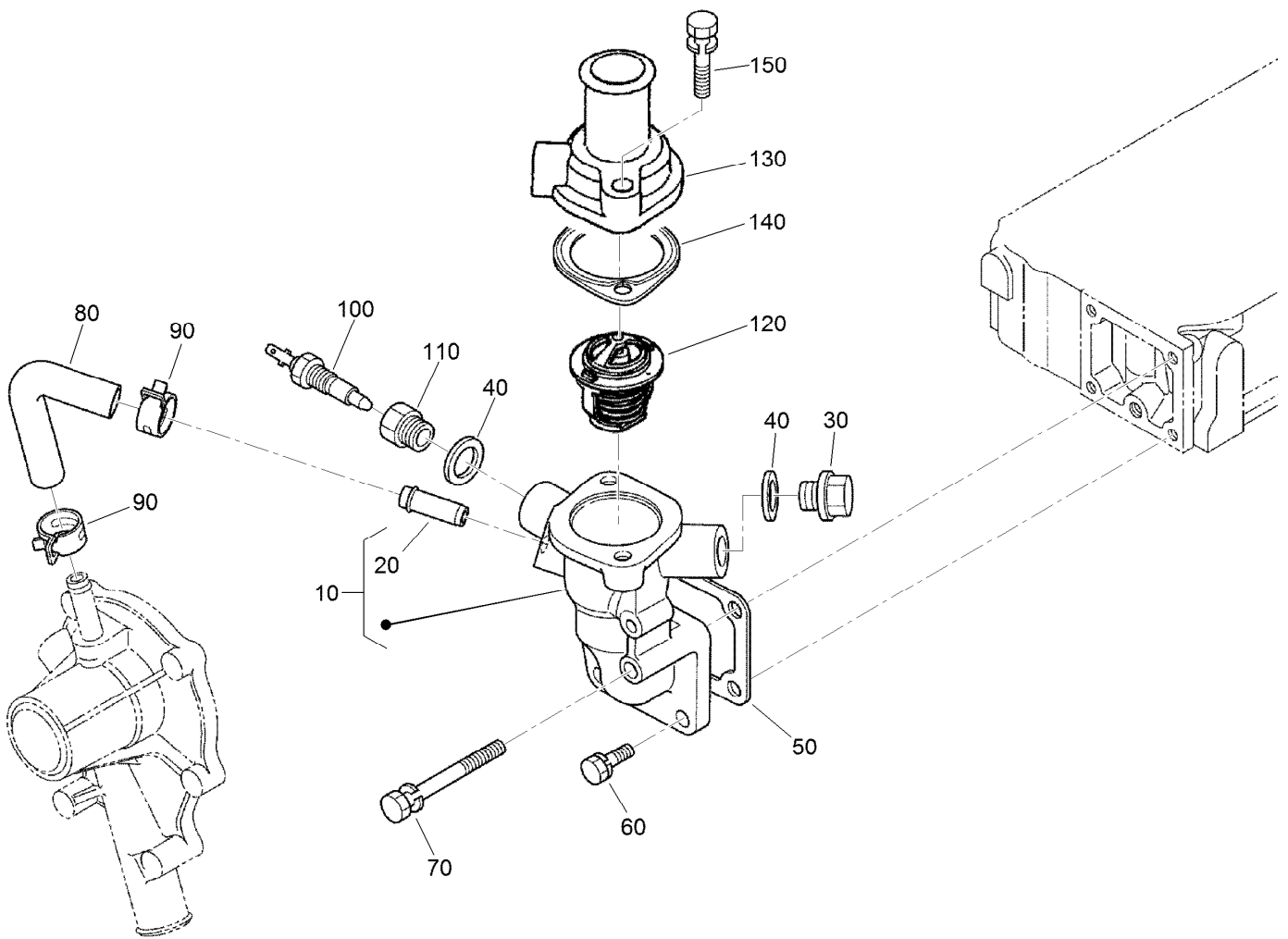
Starter Assembly

<i>Ref.</i>	<i>Part Number</i>	<i>Qty.</i>	<i>Description</i>
10	98-9705	1	Starter ASM
20	98-7697	2	Bolt
30	98-7739	1	Nut
40	105-2893	1	Washer-Spring



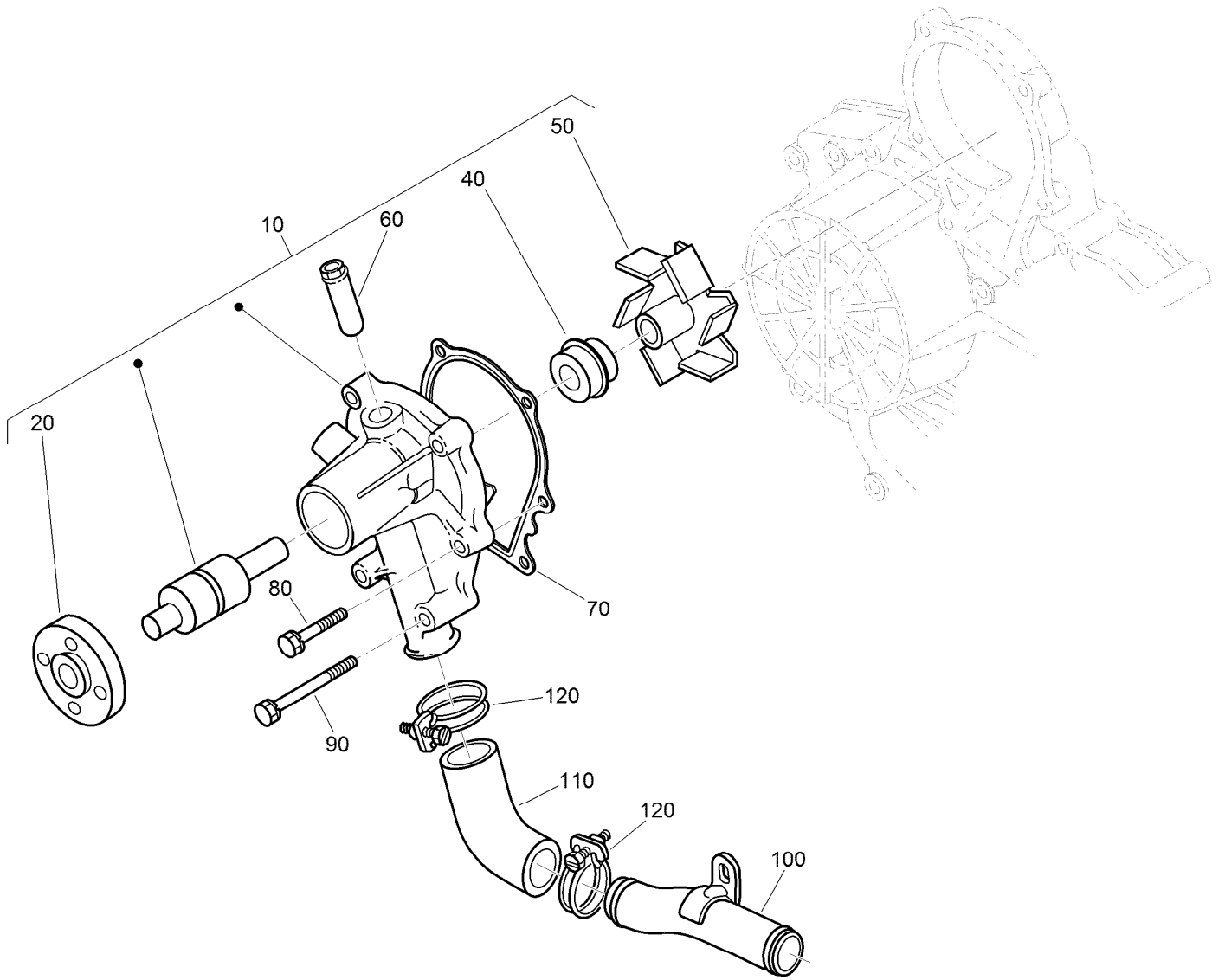
Starter Component Assembly

Ref.	Part Number	Qty.	Description	Ref.	Part Number	Qty.	Description
10	98-9705	1	Starter ASM	150	98-7754	1	Spring
20	104-8608	1	Yoke ASM	160	98-7755	1	Ball
30	98-7742	1	Armature ASM	170	98-7756	2	Bolt
40	98-7744	1	Bearing	180	98-7757	2	O-Ring
50	98-7743	1	Bearing	190	100-9240	2	Bolt
60	99-8373	1	Clutch-Running, Over	200	98-7758	2	Bolt ASM
70	99-8374	1	Frame-End, Drive	210	99-8375	1	Cover
80	105-3746	1	Magnetic Switch ASM	220	99-8371	1	Nut-Hex
90	98-7748	1	Frame-End	230	98-9711	1	Cord-Solenoid, Stop
100	98-7749	4	Brush Holder ASM	240	99-8376	1	Nut-Hex
110	98-7750	1	Spring-Brush	250	98-7759	1	Pipe-Drain
120	98-7751	1	Gear	260	98-9712	1	Band-Cover
130	98-7752	5	Retainer	270	105-2886	1	Cover ASM
140	98-7753	5	Roller				



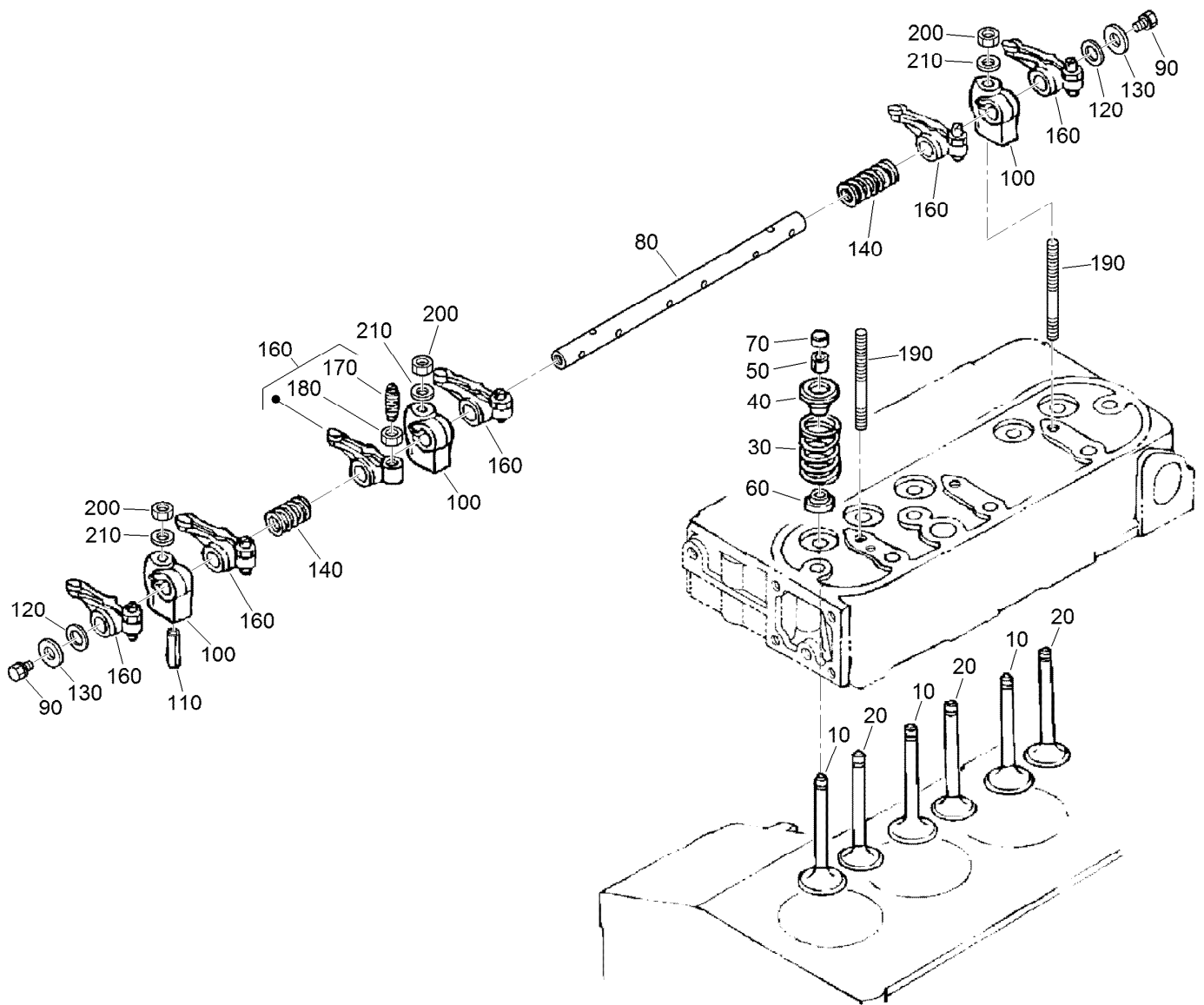
Water Flange and Thermostat Assembly

<i>Ref.</i>	<i>Part Number</i>	<i>Qty.</i>	<i>Description</i>
10	98-9713	1	Water Flange ASM
20	98-9580	1	Pipe-Return, Water
30	105-3747	1	Plug
40	99-3583	2	Gasket
50	98-9638	1	Gasket-Flange, Water
60	98-7692	3	Bolt
70	98-9356	1	Bolt
80	98-9578	1	Pipe-Return, Water
90	125-9078	2	Clamp-Hose
100	100-1983	1	Thermo-Switch
110	99-3581	1	Adapter
120	98-7778	1	Thermostat ASM
130	98-9471	1	Cover-Thermostat
140	105-3748	1	Gasket-Thermostat
150	98-7777	2	Bolt



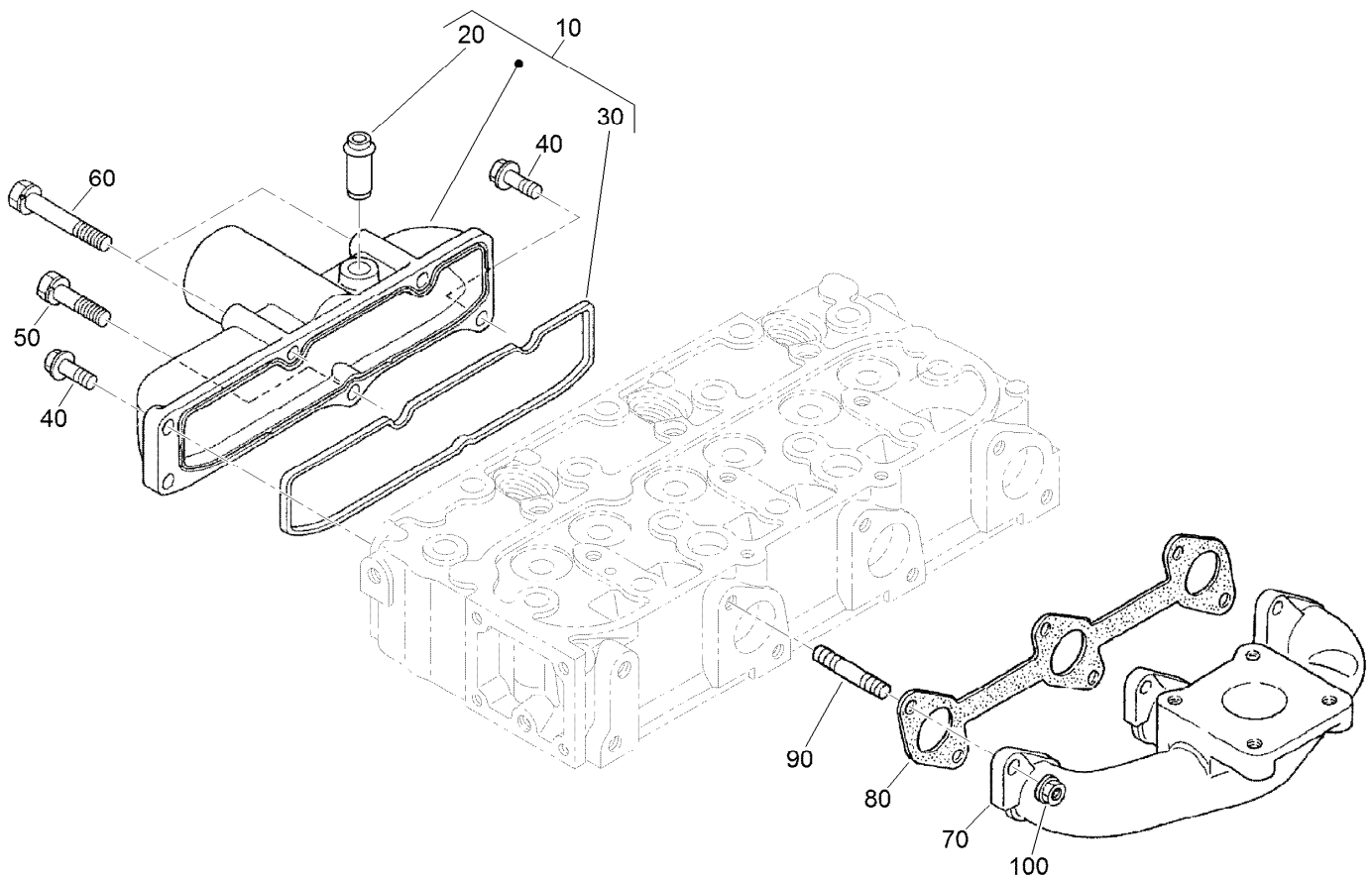
Water Pump and Water Pipe Assembly

<i>Ref.</i>	<i>Part Number</i>	<i>Qty.</i>	<i>Description</i>
10	107-9089	1	Water Pump ASM
20	99-3516	1	Flange-Pump, Water
40	105-3750	1	Mechanical Seal ASM
50	112-7017	1	Impeller-Pump, Water
60	100-1932	1	Pipe-Return, Water
70	99-3454	1	Gasket-Pump, Water
80	98-9353	4	Bolt
90	107-9090	2	Bolt
100	98-9716	1	Pipe-Water
110	107-9091	1	Pipe-Water
120	127-0439	2	Clamp-Hose



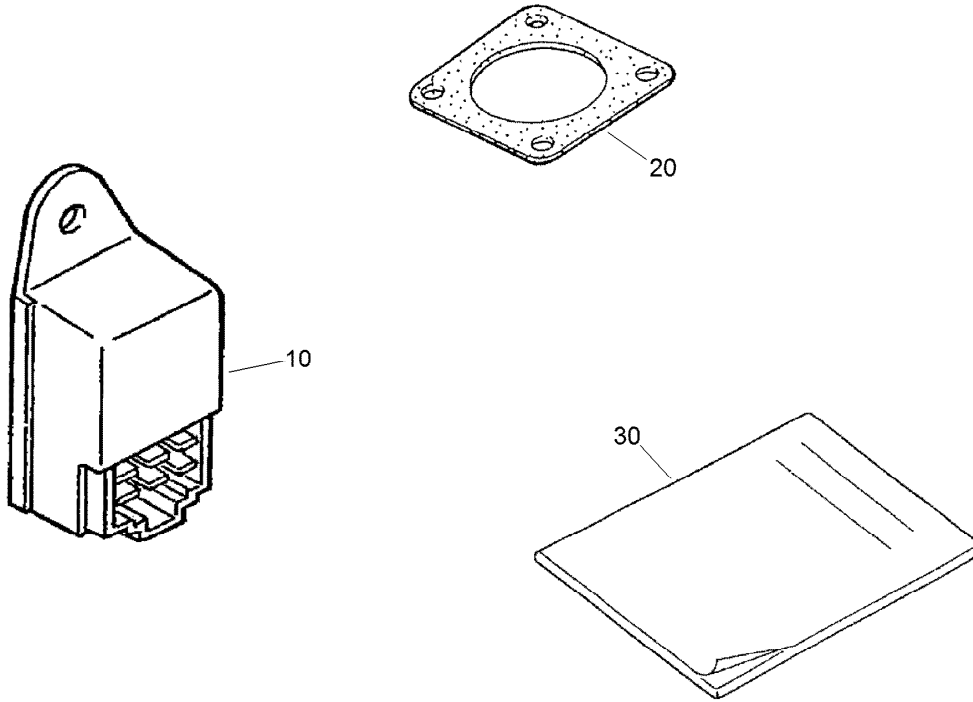
Valve and Rocker Arm Assembly

<i>Ref.</i>	<i>Part Number</i>	<i>Qty.</i>	<i>Description</i>	<i>Ref.</i>	<i>Part Number</i>	<i>Qty.</i>	<i>Description</i>
10	112-7018	3	Valve-Inlet	110	105-3758	1	Pin-Spring
20	120-2564	3	Valve-Exhaust	120	98-9507	2	Washer-Shaft, Rocker Arm
30	98-9648	6	Spring-Valve	130	110-3832	2	Washer-Plain
40	107-9092	6	Retainer-Spring	140	98-9504	2	Spring-Arm, Rocker
50	117-7572	6	Collet-Spring, Valve	160	112-7020	6	Rocker Arm ASM
60	99-8385	6	Seal-Stem, Valve	170	98-9502	6	Screw-Adjusting
70	98-9497	6	Cap-Valve	180	98-9503	6	Nut
80	130-1248	1	Shaft-Arm, Rocker	190	98-9506	3	Stud
90	100-1762	2	Bolt	200	98-9393	3	Nut
100	98-9505	3	Bracket-Arm, Rocker	210	98-9385	3	Washer-Flat



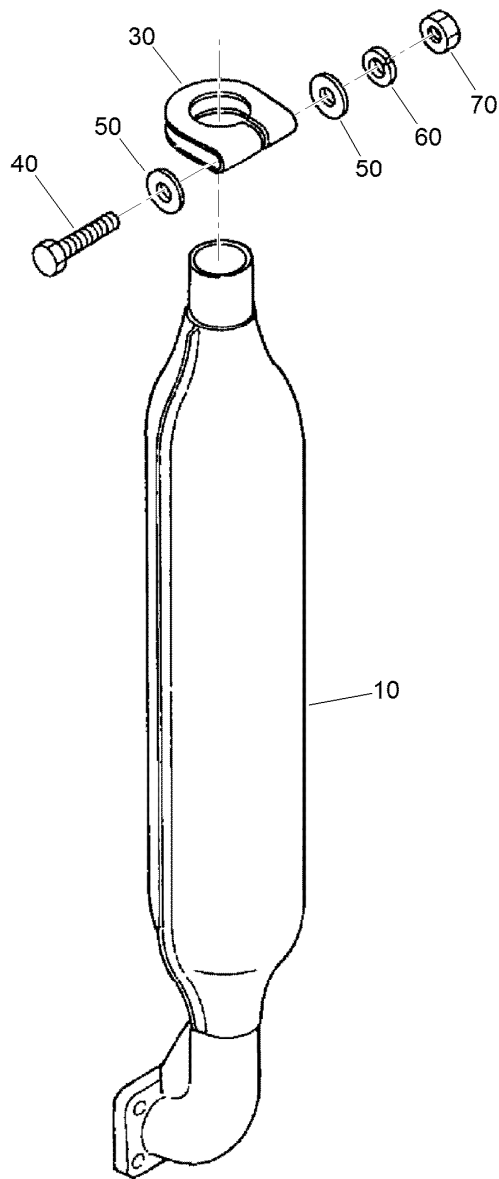
Inlet and Exhaust Manifold Assembly

<i>Ref.</i>	<i>Part Number</i>	<i>Qty.</i>	<i>Description</i>
10	108-6577	1	Inlet Manifold ASM
20	98-9492	1	Joint-Pipe, Breather
30	98-9609	1	Gasket-Manifold, Inlet
40	98-7605	3	Bolt
40	127-0403	3	Bolt-Flange
50	98-9353	1	Bolt
60	125-9063	2	Bolt-Sems
70	117-8847	1	Manifold-Exhaust
80	99-8327	1	Gasket-Manifold, Exhaust
90	98-9588	6	Stud
100	98-9665	6	Nut



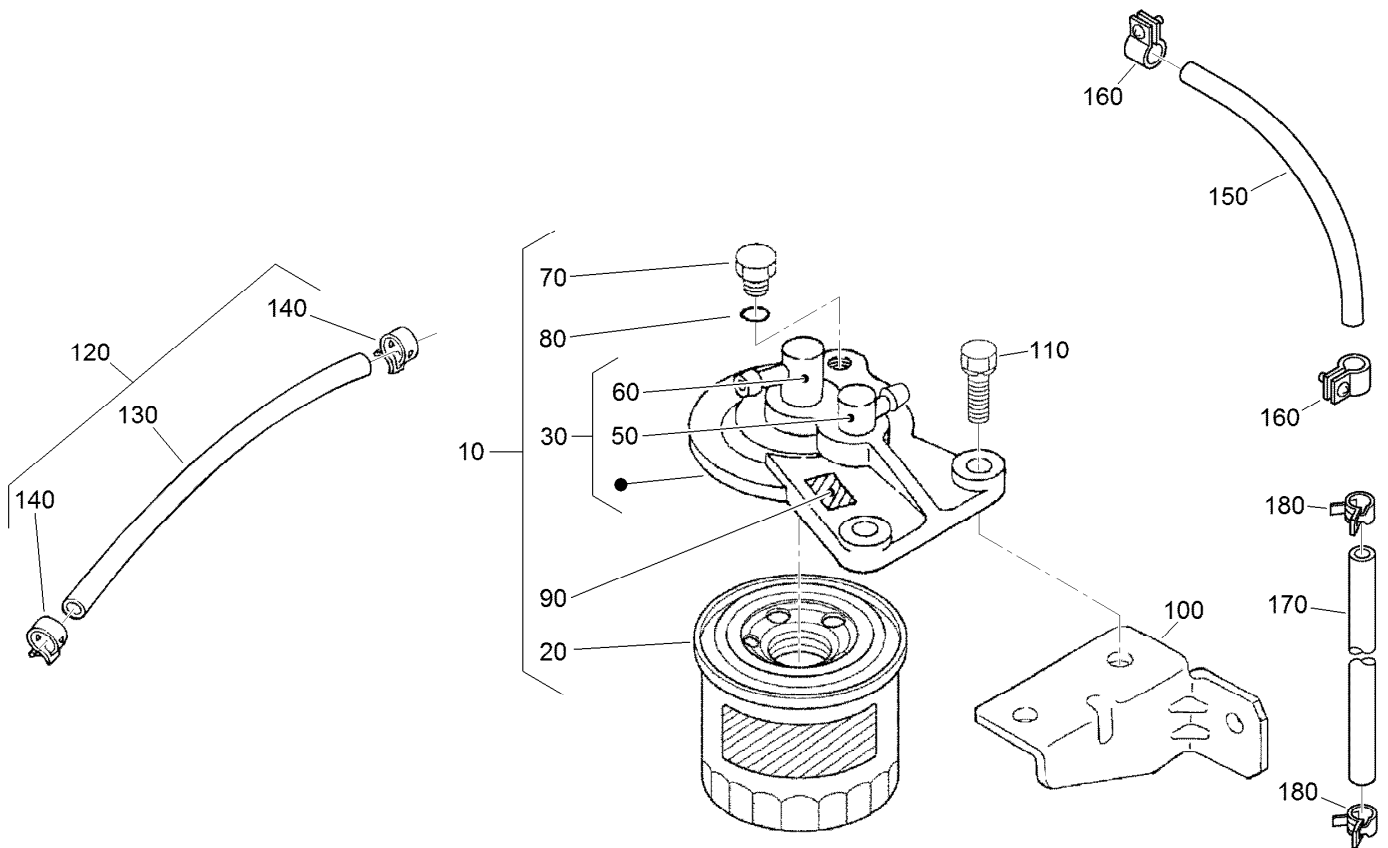
Miscellaneous Engine Parts

<i>Ref.</i>	<i>Part Number</i>	<i>Qty.</i>	<i>Description</i>
10	130-1211	1	Timer-Lamp, Glow
20	130-4596	1	Gasket-Muffler
30	115-4104	1	Operator Manual



Muffler Assembly

<i>Ref.</i>	<i>Part Number</i>	<i>Qty.</i>	<i>Description</i>
10	130-1197	1	Muffler
30	130-1184	1	Clamp-Pipe, Muffler
40	130-1151	1	Bolt
50	98-7660	2	Washer-Plain
60	105-2893	1	Washer-Spring
70	98-7739	1	Nut



Fuel Filter Assembly

<i>Ref.</i>	<i>Part Number</i>	<i>Qty.</i>	<i>Description</i>	<i>Ref.</i>	<i>Part Number</i>	<i>Qty.</i>	<i>Description</i>
10	130-1188	1	Fuel Filter ASM	110	98-7610	2	Bolt
20	130-1187	1	Element-Filter	120	130-1270	1	Fuel Pipe ASM
30	130-1189	1	Filter Cover ASM	130	130-1172	1	Tube-Fuel
50	130-1180	1	Joint-Pipe	140	100-2217	1	Clip-Pipe
60	130-1181	1	Joint-Pipe	150	130-1222	1	Pipe-Fuel
70	130-1329	1	Plug-Filter Breather	160	98-7616	4	Clip-Pipe
80	130-1179	1	O Ring	170	130-1330	1	Pipe-Over Flow, Fuel
90	130-1190	1	Mark-Form	180	98-7672	6	Clip-Pipe
100	130-1271	1	Holder-Fuel Filter				

Attachments and Accessories

For 30654 CT2240 Compact Triple 4-Wheel Drive Turf Mower

Product Name	Model/Part
MK3 200mm (8in) 4-Blade Cutting Unit.....	02800
MK3 200mm (8in) 6-Blade Cutting Unit.....	02801
MK3 200mm (8in) 8-Blade Cutting Unit.....	02802
MK3 200mm (8in) 10-Blade Cutting Unit.....	02803
Beacon Kit	02901
12 Volt Accessory Port Kit.....	02902
Blower Carrier Kit.....	02903
LSD Lock Kit.....	02904
ROPS Assist Kit.....	02905
Waste Bin Kit	02906
Deluxe Seat Kit.....	02909
Kevlar Tyres Kit.....	02912
Road Light Kit (with Brake Lights).....	02916
TÜV Kit - Speed Decal 20kph	02980
Tüv Kit - Deck Cover 3-Gang	02982
TÜV Kit - German Vehicle Serial Plate.....	02983
Warning Triangle	111-4250
Fuse-In Line.....	111-5101



Count on it.