



Count on it.

Parts Catalog

MMX-858K-P

Mortar Mixer

Model No. 60221—Serial No. 40000000 and Up



Ordering Replacement Parts

To order replacement parts, please supply the part number, the quantity, and the description of each part desired.

Understanding Reference Numbers

Each identified part in an illustration has a reference number. The reference number for a part also appears in the parts list, along with other information about the part.

This catalog uses two special reference number formats, one to indicate parts in a service assembly and another to indicate the quantity of a given part in an illustration.

Service Assembly Reference Numbers

Parts in service assemblies have reference numbers in the form a:b. The a represents the reference number of the entire service assembly and the b represents a sequential number unique to each part within the service assembly.

For example, a wheel assembly might be identified by reference number 6, the tire by 6:1, the valve by 6:2, and the wheel by 6:3. When you order the assembly identified by reference number 6, you receive all parts identified by reference numbers 6:1, 6:2, and 6:3. However, you may also order any part individually. Reference numbers of this type appear in illustration and in parts lists.

Reference Numbers Indicating Quantity

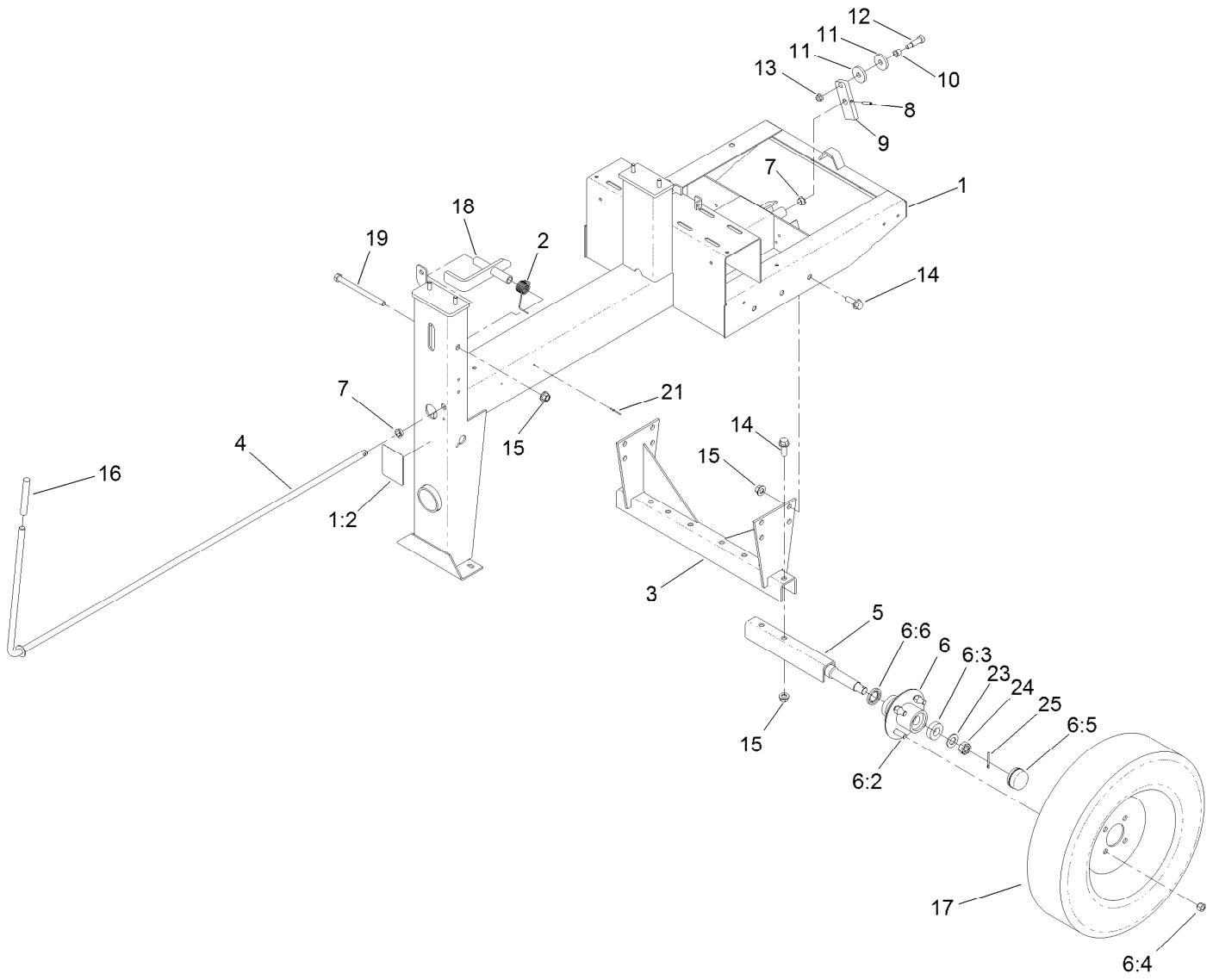
In an illustration, if a reference number indicates more than one part, the reference number has the form nX y. The n represents the quantity of the part, the X is the multiplication symbol, and the y represents the reference number.

For example, in an illustration, the reference number 2X 37 means that two of the parts identified by reference number 37 are indicated.

Contents

- Frame and Axle Assembly 4
- Drum and Paddle Assembly 6
- Engine Assembly 8
- Cowling Assembly 10
- Attachments and Accessories 12

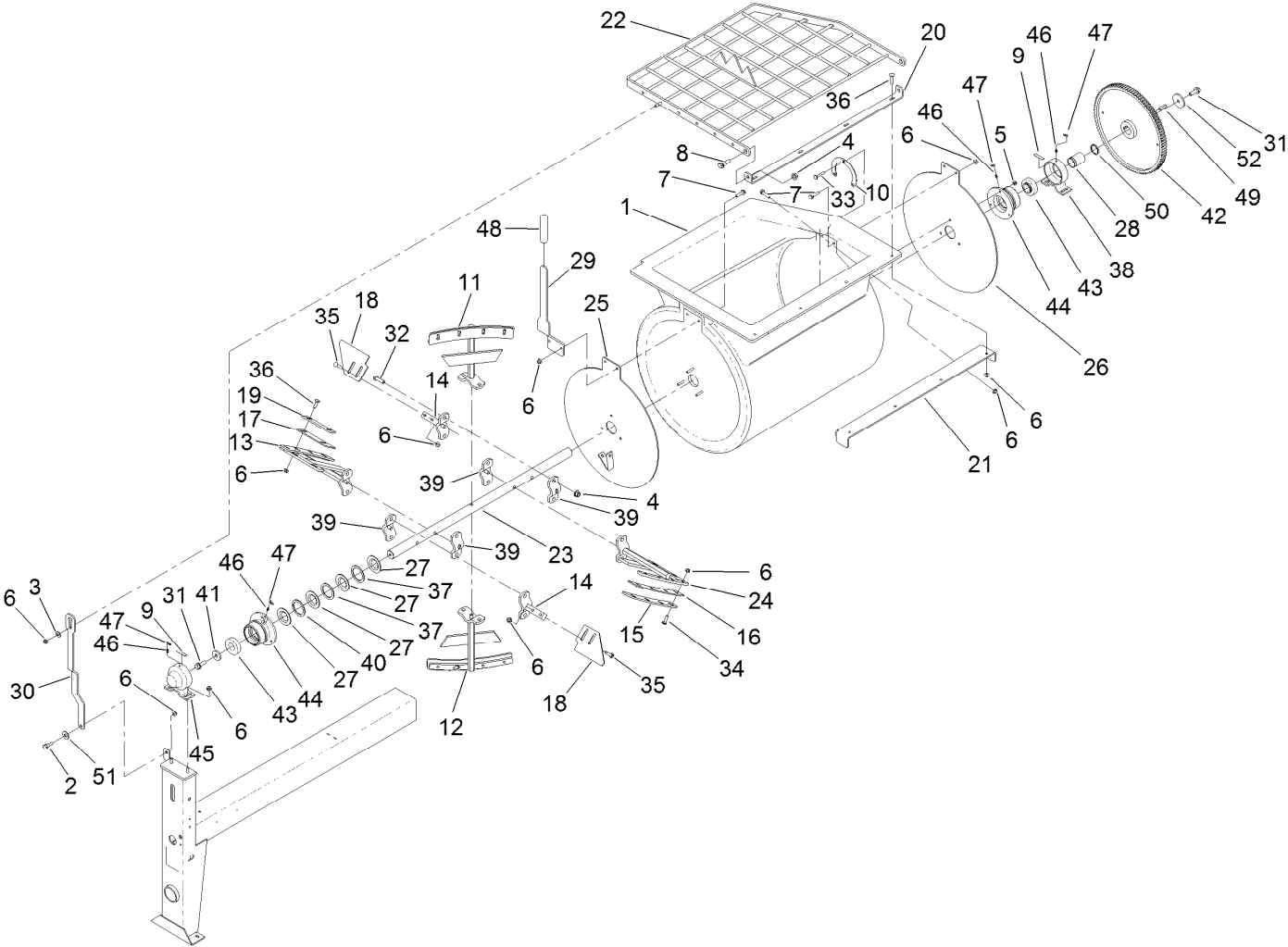
Frame and Axle Assembly



Frame and Axle Assembly (continued)

<i>Ref.</i>	<i>Part Number</i>	<i>Qty.</i>	<i>Description</i>	<i>Ref.</i>	<i>Part Number</i>	<i>Qty.</i>	<i>Description</i>
1	131-7533	1	Frame ASM	10	ST32099	1	Bushing-Flange
1:2	125-8216	1	Decal-Safety Chain, Towing	11	ST26326	2	Washer-Flat
2	132-3852	1	Spring-Torsion	12	ST81153	1	Screw-HSBH
3	125-8219-03	1	Support-Axle	13	104-8301	1	Nut-HF, NI
4	131-5253-03	1	Lever-Clutch	14	100-6116	8	Screw-HHF
5	ST22512-03	2	Axle-Half	15	99-5107	9	Nut-Lock
6	125-8171	2	Hub ASM	16	ST34687	1	Grip-Handle
6:2	ST39190	4	Stud-Wheel	17	ST32307	2	Tire And Rim ASM
6:3	ST32233	2	Bearing-Roller	18	132-7154-03	1	Latch-Drum
6:4	ST80045	4	Nut-Lug	19	325-33	1	Screw-HH
6:5	ST34573	1	Cap-Dust	21	923786	2	Rivet
6:6	ST32052	1	Seal-Hub, Wheel	23	3256-28	2	Washer-Flat
7	ST32116	2	Bushing-Flange	24	ST80054	2	Nut
8	32121-69	1	Pin-Spring	25	3272-13	2	Pin-Cotter
9	ST39446	1	Link-Clutch				

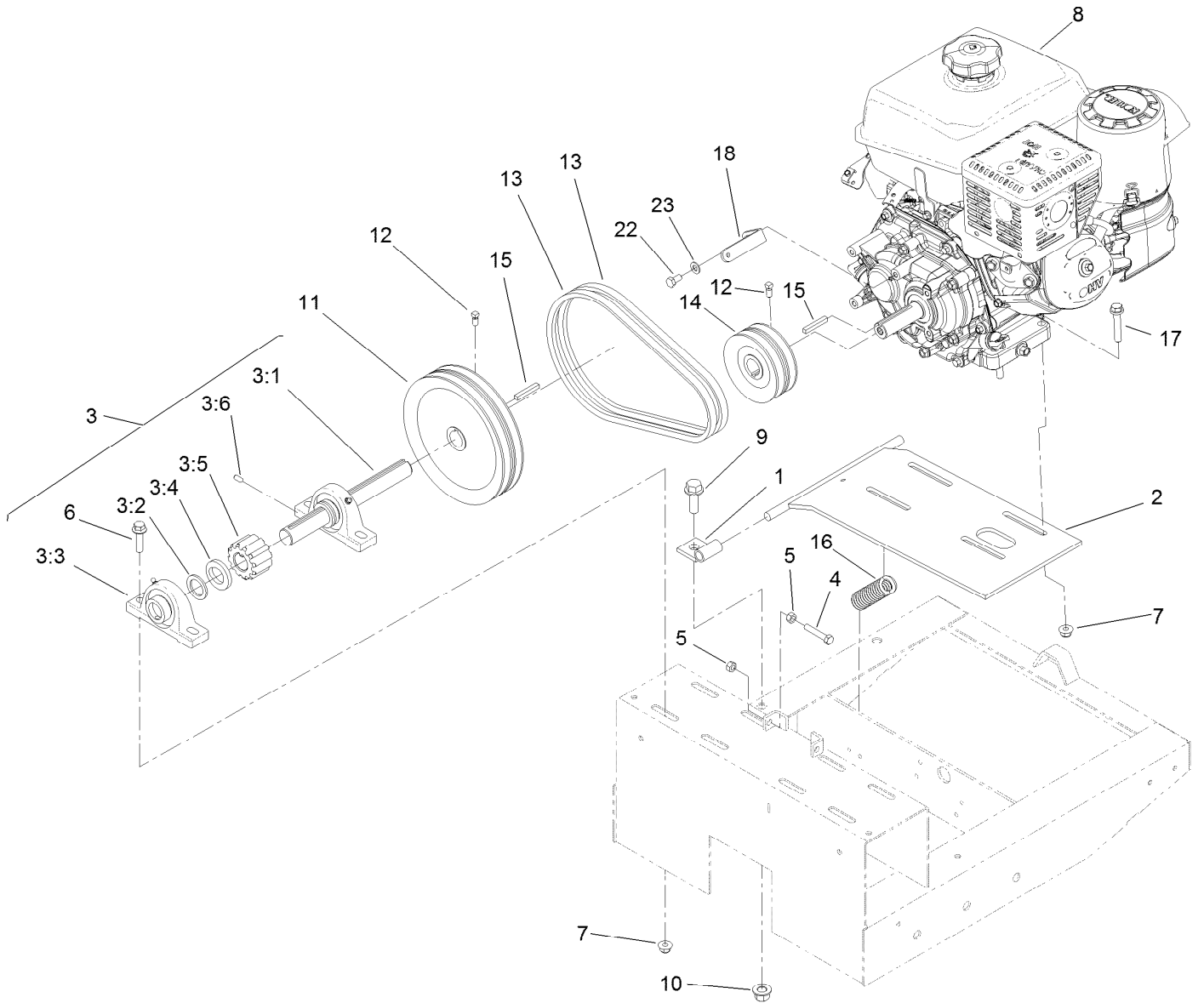
Drum and Paddle Assembly



Drum and Paddle Assembly (continued)

<i>Ref.</i>	<i>Part Number</i>	<i>Qty.</i>	<i>Description</i>	<i>Ref.</i>	<i>Part Number</i>	<i>Qty.</i>	<i>Description</i>
1	137-0614	1	Drum-Plastic	28	138-3159	1	Spacer
2	80-1300	1	Bolt-Shoulder	29	137-7600-01	1	Handle-Dump
3	80-6990	1	Washer-Hardened	30	137-0672-01	1	Arm-Lift, Grate
4	99-5107	12	Nut-Lock	31	130-6482	2	Screw-HHF
5	104-8300	6	Nut-HF, NI	32	325-7	10	Screw-HH
6	104-8301	42	Nut-HF, NI	33	3230-6	6	Screw-CARR
7	114-4681	8	Screw-HHF	34	3231-25	20	Bolt-CARR
8	116-0780	2	Screw-Shoulder, HHF	35	3231-29	4	Screw-CARR
9	125-8175	2	Decal-Grease	36	3231-5	4	Screw-CARR
10	127-1666-01	2	Spacer-Bolt	37	ST24017	4	Washer-Flat
11	137-7614-01	1	Paddle-Mid	38	ST24021-01	1	Trunnion
12	137-7615-01	1	Paddle-Mid	39	ST24107-01	4	Clamp
13	137-0616-01	1	Paddle-Front	40	ST25881	2	Washer-Split
14	138-3180-01	2	Paddle-Pusher	41	ST26326	1	Washer-Flat
15	138-3108-01	4	Bar-Backer, Top	42	ST26933-03	1	Gear-94 Teeth
16	131-5260	4	Paddle-Rubber, Top	43	ST32003	2	Bearing-Ball
17	131-5261	2	Paddle-Rubber, Mixer End	44	ST32326-01	2	Housing-Bearing
18	138-3177-01	2	Blade-Scraper	45	ST36574-01	1	Trunnion-Capped
19	131-5722-01	2	Bar-Backer, End	46	ST46042	4	Fitting-Grease
20	137-0602-01	1	Mount-Guard	47	ST47001	4	Cap-Plug
21	137-0603-01	1	Support-Guard	48	104-9838	1	Grip-Foam
22	137-0612-01	1	Grate	49	ST81060	1	Key-Square
23	138-3111-01	1	Shaft-Drum, 8 Cubic Feet	50	138-3163	1	Spacer-Shaft, Drum
24	137-0615-01	1	Paddle-Rear	51	3256-6	1	Washer-Flat
25	137-0640-01	1	End-Drum	52	138-3162	1	Washer-Plain
26	137-0641-01	1	End-Drum				
27	ST32324	8	Seal-Drum				

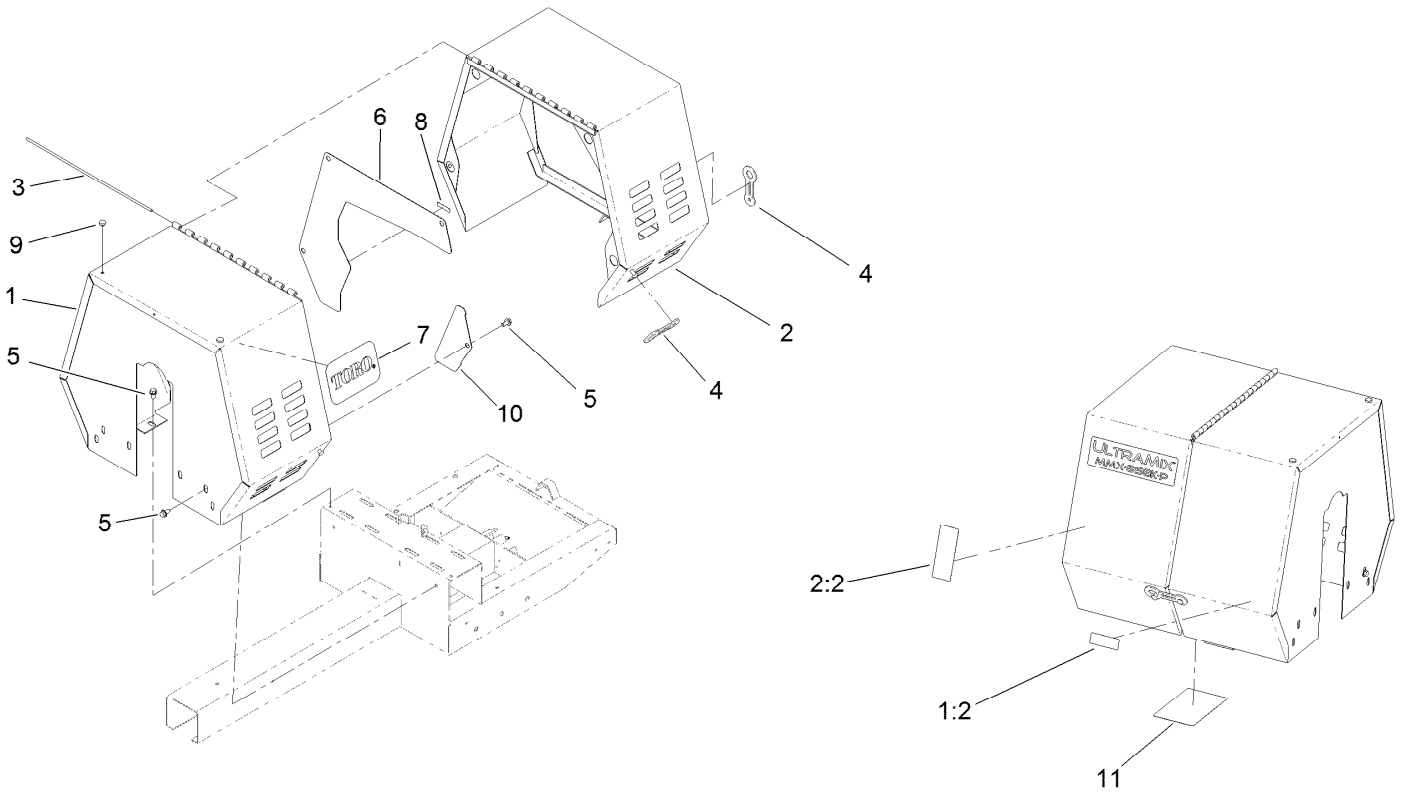
Engine Assembly



Engine Assembly (continued)

<i>Ref.</i>	<i>Part Number</i>	<i>Qty.</i>	<i>Description</i>	<i>Ref.</i>	<i>Part Number</i>	<i>Qty.</i>	<i>Description</i>
1	ST57786-03	2	Mount-Motor	8	137-0697	1	Engine-Kohler
2	ST39557-03	1	Base-Motor	9	100-6116	2	Screw-HHF
3	131-5704	1	Pinion ASM	10	99-5107	2	Nut-Lock
3:1	131-5705	1	Shaft-Pinion	11	ST38450	1	Sheave
3:2	3-8514	2	Washer-Thrust	12	1-803022	4	Screw-Set
3:3	ST32208	2	Bearing-Block, Pillow	13	ST34052	2	Belt-V
3:4	131-5706	1	Washer	14	ST38449	1	Sheave
3:5	ST57625	1	Gear-Spur	15	7-0238	2	Key-Square
3:6	95-0715	1	Pin-Dowel	16	ST34849	1	Spring
4	322-41	1	Screw-HH	17	108-3742	4	Screw-HHF
5	3217-6	2	Nut-Hex	18	137-7466	1	Guide-Belt
6	114-4681	4	Screw-HHF	22	33114-016	1	Screw-HH
7	104-8301	8	Nut-HF, NI	23	3256-23	1	Washer-Plain

Cowling Assembly



Cowling Assembly (continued)

<i>Ref.</i>	<i>Part Number</i>	<i>Qty.</i>	<i>Description</i>	<i>Ref.</i>	<i>Part Number</i>	<i>Qty.</i>	<i>Description</i>
1	127-1683	1	Stationary Cowl ASM	6	137-7656-03	1	Plate-Access, Belt
1:2	133-5619	1	Decal-Arrester, Spark	7	67-7320	2	Decal
2	127-1685	1	Movable Cowl ASM	8	125-8175	1	Decal-Grease
2:2	125-4939	1	Decal-Warning	9	1-513658	2	Bumper
3	ST44368	1	Pin	10	137-7657-03	1	Plate-Access, Belt
4	ST47182	3	Latch-Rubber	11	137-7483	1	Decal-Service
5	110-9380	10	Screw-HWH				

Attachments and Accessories

For 60221 MMX-858K-P Mortar Mixer

Product Name	Model/Part
31in Forged Tow Pole Hitch	68056
31in Pintel Tow Pole Hitch	68058
31in Stamped Tow Pole Hitch	68060
Trailer Light Kit.....	68062

Notes:

Notes:

Notes:



Count on it.