



# Traction Unit

## For Greensmaster 3250D

Model No. 04383 – 20000001 and Up

## Parts Catalog

---

### Ordering Replacement Parts

To order replacement parts, please supply: the part number, the quantity, and the description of each part desired.

### Understanding Reference Numbers

Each identified part in an illustration has a reference number. The reference number for a part also appears in the parts list, along with other information about the part.

This catalog uses two special reference number formats, one to indicate parts in a service assembly and another to indicate the quantity of a given part in an illustration.

### Service Assembly Reference Numbers

Parts in service assemblies have reference numbers in the form **a:b**. The **a** represents the reference number of the entire service assembly and the **b** represents a sequential number unique to each part within the service assembly.

For example, a wheel assembly might be identified by reference number **6**, the tire by **6:1**, the valve by **6:2**, and the wheel by **6:3**. When you order the assembly identified by reference number **6**, you receive all parts identified by reference numbers **6:1**, **6:2**, and **6:3**. However, you may also order any part individually.

Reference numbers of this type appear in illustrations and in part lists.

### Reference Numbers Indicating Quantity

In an illustration, if a reference number indicates more than one part, the reference number has the form **nX y**. The **n** represents the quantity of the part, the **X** is the multiplication symbol, and the **y** represents the reference number.

For example, in an illustration, the reference number **2X 37** means that two of the parts identified by reference number **37** are indicated.

## Contents

<b>Description</b>	<b>Page</b>	<b>Description</b>	<b>Page</b>
Traction Control Assembly .....	3	Manifold Block Installation Assembly .....	21
Brake Pedal Assembly .....	4	Front Bulkhead & Reel Motor Assembly .....	23
Front Wheel And Brake Assembly .....	5	Rear Bulkhead & Reel Motor Assembly .....	24
Steering Arm Assembly .....	7	Reel Motor Assembly NO. 93-1375 .....	25
Rear Wheel Assembly .....	9	Lift Arm Assembly-L.H. & R.H. Right Arm Shown	26
Console Assembly .....	10	Hydraulic Cylinder Assembly No. 99-8158 .....	27
Functional Control Lever Assembly .....	11	Lift Arm Assembly - Center .....	28
Seat Assembly .....	12	Hydraulic Cylinder No. 99-8157 .....	29
Electronics Installation Assembly .....	13	Fuel System Assembly .....	30
Hydrostat And Gear Pump Assembly .....	14	Hydraulic Tank & Filter Assembly .....	31
Neutral System Assembly .....	17	Electrical Schematic .....	32
Engine Installation Assembly .....	18	Hydraulic Schematic .....	33
Air Cleaner, Fuel Filter & Exhaust Assembly .....	19	Pull Frame Assembly .....	34
Radiator Assembly .....	20	522447-0107-E2 Toro Diesel Engine .....	35-46

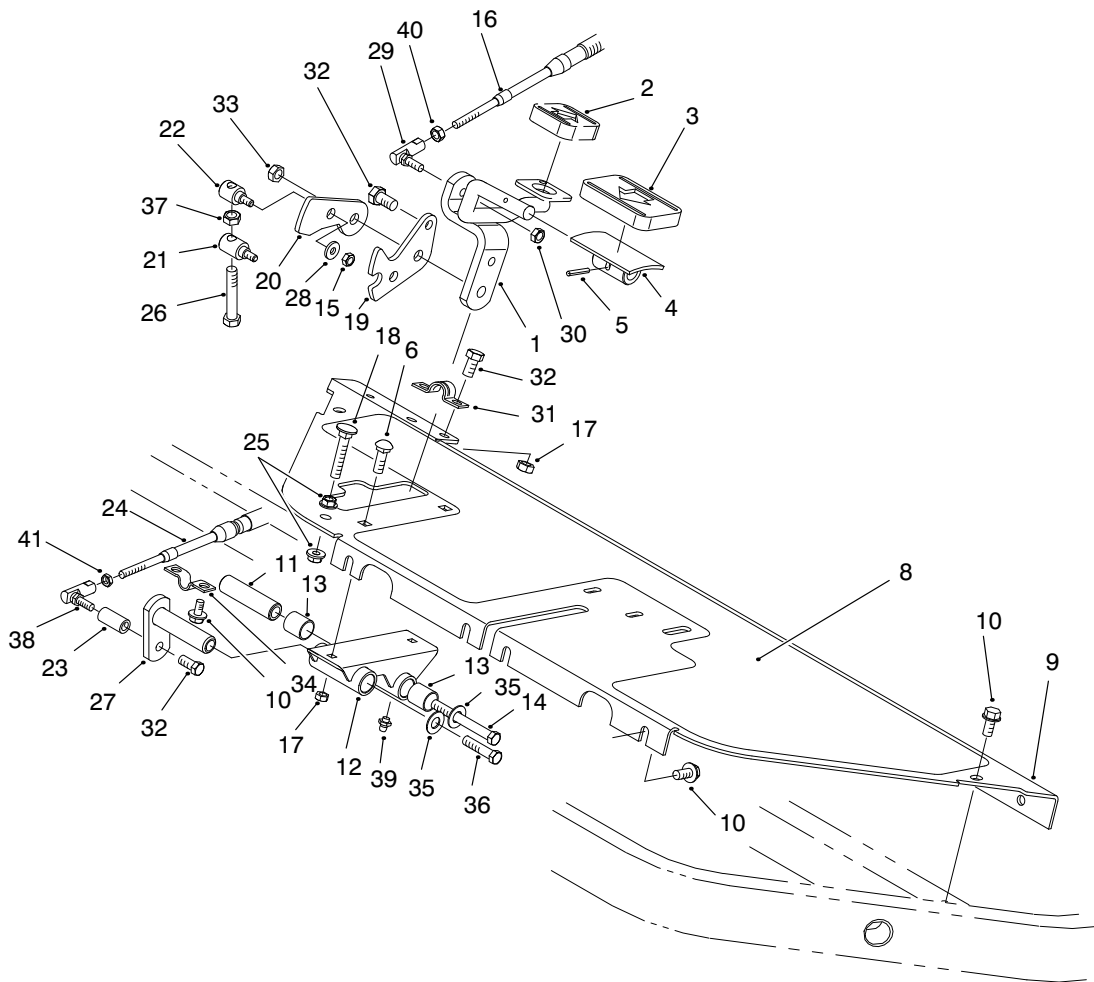
## Accessories

<b>Description</b>	<b>Model / Part No.</b>	<b>Description</b>	<b>Model / Part No.</b>
Thatching Reel .....	04493	Tie Down Kit .....	94-6379
Spiker Kit .....	04494	Hose Adapter Kit .....	94-8190
Tri-Roller Kit .....	04495	Spark Arrestor Screen .....	94-8157
Oil Cooler Kit .....	100-3166	3 Wheel Drive Kit .....	04553
Leak Detector Kit .....	04497	8 Blade 4 Bolt Cutting Unit .....	04480
Backlap/Reel Kit .....	04498	11 Blade 4 Bolt Cutting Unit .....	04481
Light Kit .....	04551	8 Blade SPA Cutting Unit .....	04482
Quick Height of Cut Kit .....	04451	11 Blade SPA Cutting Unit .....	04483
Direct Suspension Kit .....	04452		

## Part Description Abbreviations

Part descriptions in this catalog may include the following abbreviations.

<b>Abbreviation</b>	<b>Meaning</b>	<b>Abbreviation</b>	<b>Meaning</b>
AR .....	as required	INC .....	incorporated
ASM .....	assembly	LH .....	left hand
CARR .....	carriage	NI .....	nylon insert
DEG .....	degrees	PPH .....	Phillips pan head
FH .....	flat head	PTH .....	Phillips truss head
GA .....	gauge	PTO .....	power take off
HF .....	hex flange	RH .....	right hand
HH .....	hex head	SFH .....	slotted fillister head
HHF .....	hex head flange	SHH .....	slotted hex head
HLH .....	hex lag head	SQH .....	square head
HJ .....	hex jam	SHWH .....	slotted hex washer head
HOC .....	height-of-cut	SPH .....	slotted pan head
HS .....	hex socket	SRH .....	slotted round head
HSBH .....	hex socket button head	STD .....	standard
HSFH .....	hex socket flat head	TAP .....	self tapping
HSH .....	hex socket head	TTH .....	Torx truss head
HWH .....	hex washer head	WH .....	wing head
HWHTF .....	hex washer head thread forming		

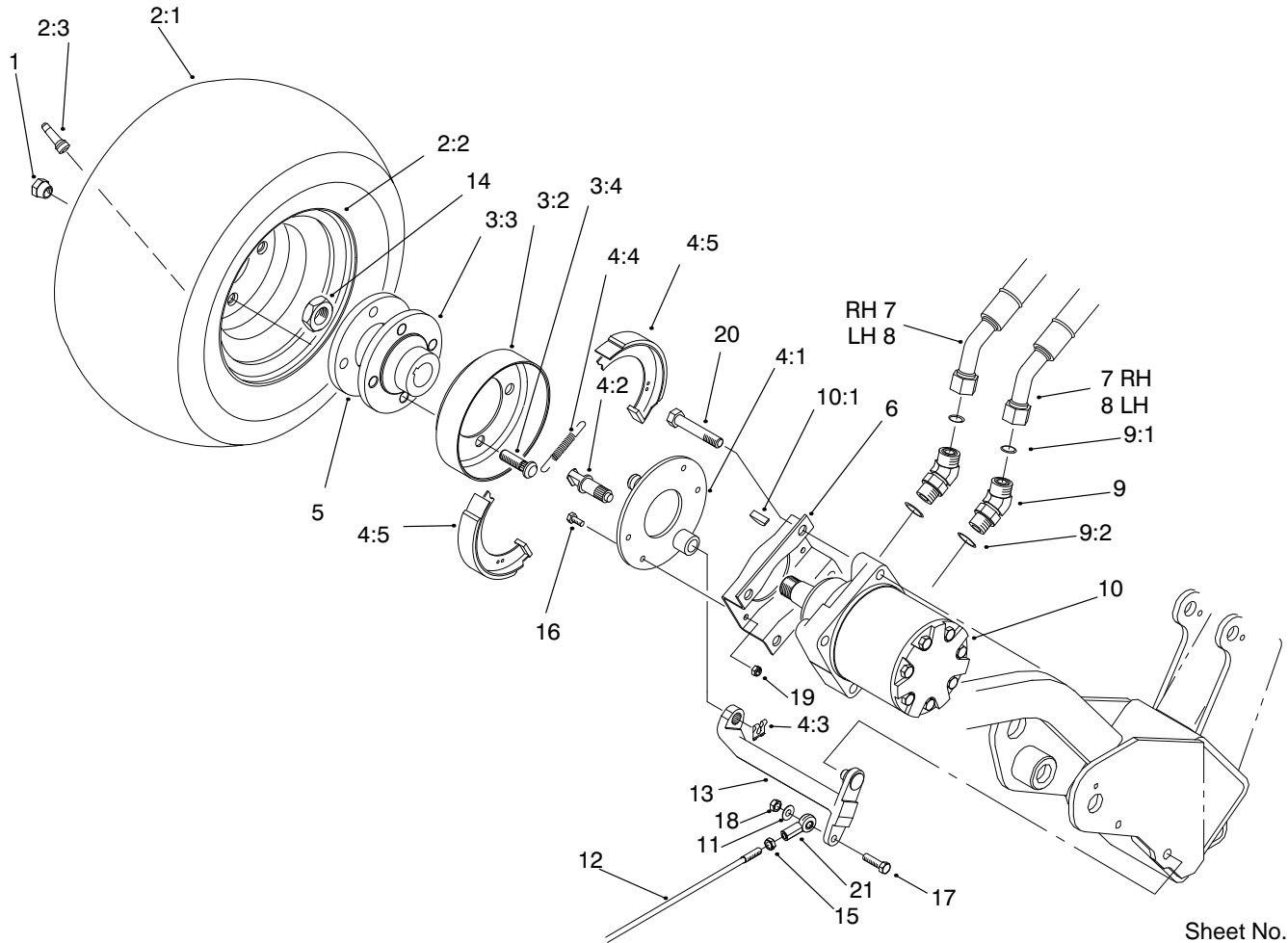


Sheet No.:2

## Traction Control Assembly

Ref. No.	Part No.	Qty.	Description	Ref. No.	Part No.	Qty.	Description
1	93-2085-01	1	Rod	25	32128-20	2	Nut-HF
2	74-9110	1	Pad-Pedal, Reverse	26	94-3489	1	Capscrew - HH
3	74-9100	1	Pad-Pedal, Forward	27	94-1300	1	Neutral Lock
4	49-6440-03	1	Acc Pedal	28	3256-1	2	Washer-Flat
5	32121-45	1	Pin-Spring	29	2411-34	1	Ball Joint
6	33124-020	2	Screw-CARR	30	3296-13	1	Nut-Lock NI
8	93-2142	1	Pad - Floor Plate	31	93-2092	1	Clamp - Cable
9	94-6399-01	1	Plate - Floor	32	33114-016	2	Screw-HH
10	32144-14	8	Screw-HWH	33	33025-00	1	Nut-Lock NI
11	94-1371	1	Spacer	34	93-2279	1	Clamp - Cable
12	94-1383	1	Pedal - Pivot	35	3256-24	2	Washer-Flat
13	256-311	4	Split Bushing	36	33115-016	1	Screw-HH
14	33115-090	1	Screw-HH	37	33014-00	1	Nut-Hex
15	33023-00	2	Nut-Lock NI	38	2411-38	1	Ball Joint
16	93-2099	1	Cable - Traction Control	39	302-5	1	Fitting-Lube
17	33024-00	4	Nut-Lock NI	40	3220-1	1	Nut-Jam
18	17-9420	1	Screw - Handle	41	3219-14	1	Nut-Hex
19	94-1373	1	Bracket - Lock				
20	94-1372	1	Bracket - Mow				
21	94-1375	1	Trunnion - Lock Bracket				
22	94-1374	1	Trunnion - Mow Bracket				
23	94-1386	1	Shaft - Pivot Pedal				
24	94-1304	1	Cable - Neutral Lock				



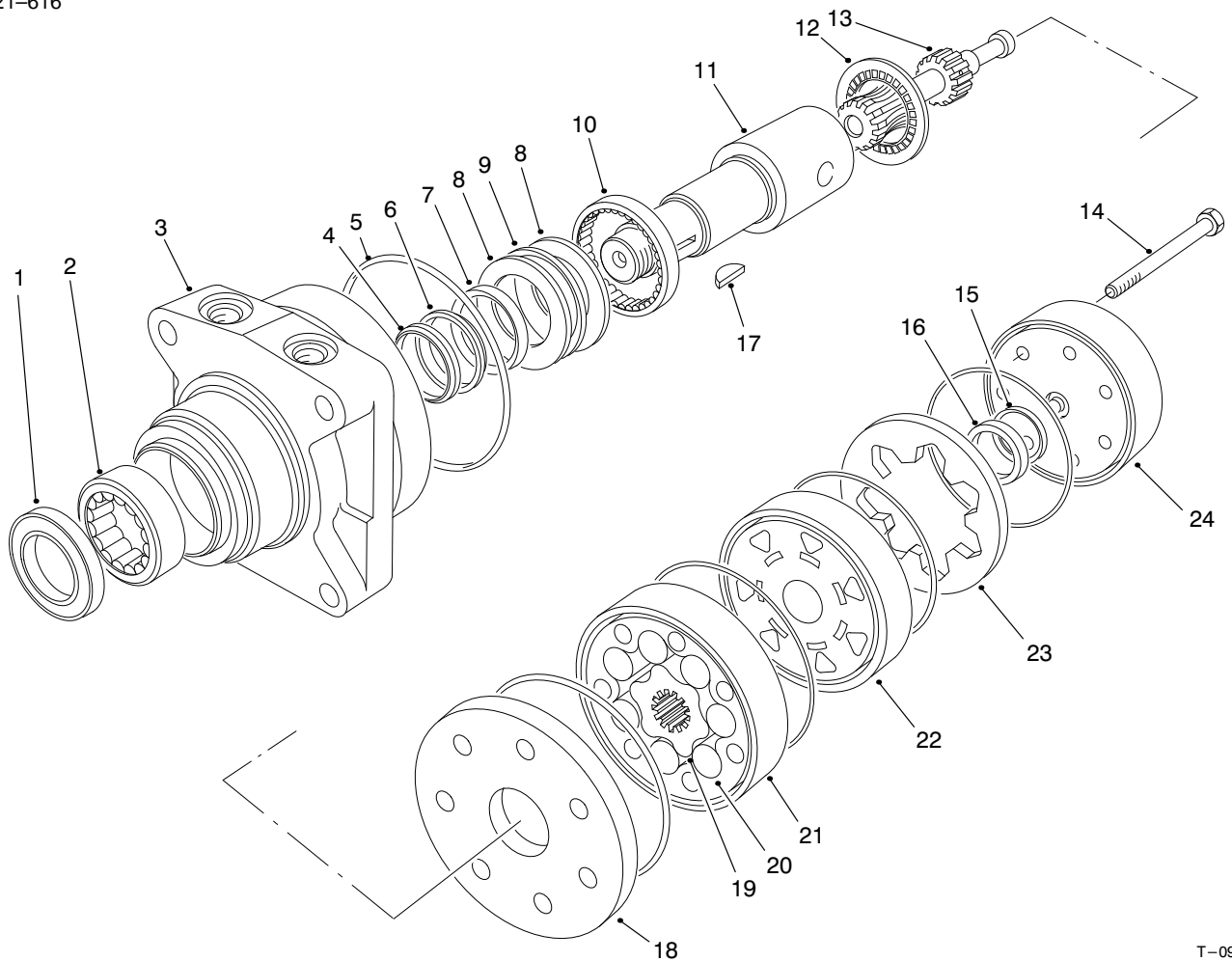


Sheet No.:4

## Front Wheel And Brake Assembly

Ref. No.	Part No.	Qty.	Description
1	242-50	8	Nut-Lug
2:1	70-8500	2	Tire
2:2	94-6116	2	Wheel - Rear
2:3	232-27	2	Stem-Valve
3	10-6821	2	Brake Drum ASM
3:2	10-6850	1	Brake Drum
3:3	10-6870-03	1	Wheel Hub
3:4	85-6540	4	Drive Type Stud
4	71-1500	2	Brake Assembly
4:1	70-9870	1	Plate-Backing
4:2	70-9860	1	Cam Shaft
4:3	70-9850	1	Clip-Retaining
4:4	70-9880	2	Spring-Retaining
4:5	70-9840	2	Shoe-Brake
5	92-9154-03	2	Plate-Bearing
6	84-2000-03	2	Bracket-Brake
7	94-5357	2	Hose ASM

Ref. No.	Part No.	Qty.	Description
8	94-5358	2	Hose ASM
9	340-14	4	Fitting-45°
9:1	237-65	1	O-Ring
9:2	237-80	1	O-Ring
10	92-9199	2	Wheel Motor
10:1	3257-42	2	Key-Woodruff
11	3256-23	2	Washer-Flat
12	93-2069	2	Rod - Brake
13	93-2096	2	Lever - Brake
14	26-3790	2	Nut-Lock
15	3220-20	2	Nut-Jam LH
16	33113-020	8	Screw-HH
17	33114-030	2	Screw-HH
18	33024-00	2	Nut-Lock NI
19	33023-00	8	Nut-Lock NI
20	33116-060	8	Screw-HH
21	93-2070	2	Clevis - Swivel



T-0983-2

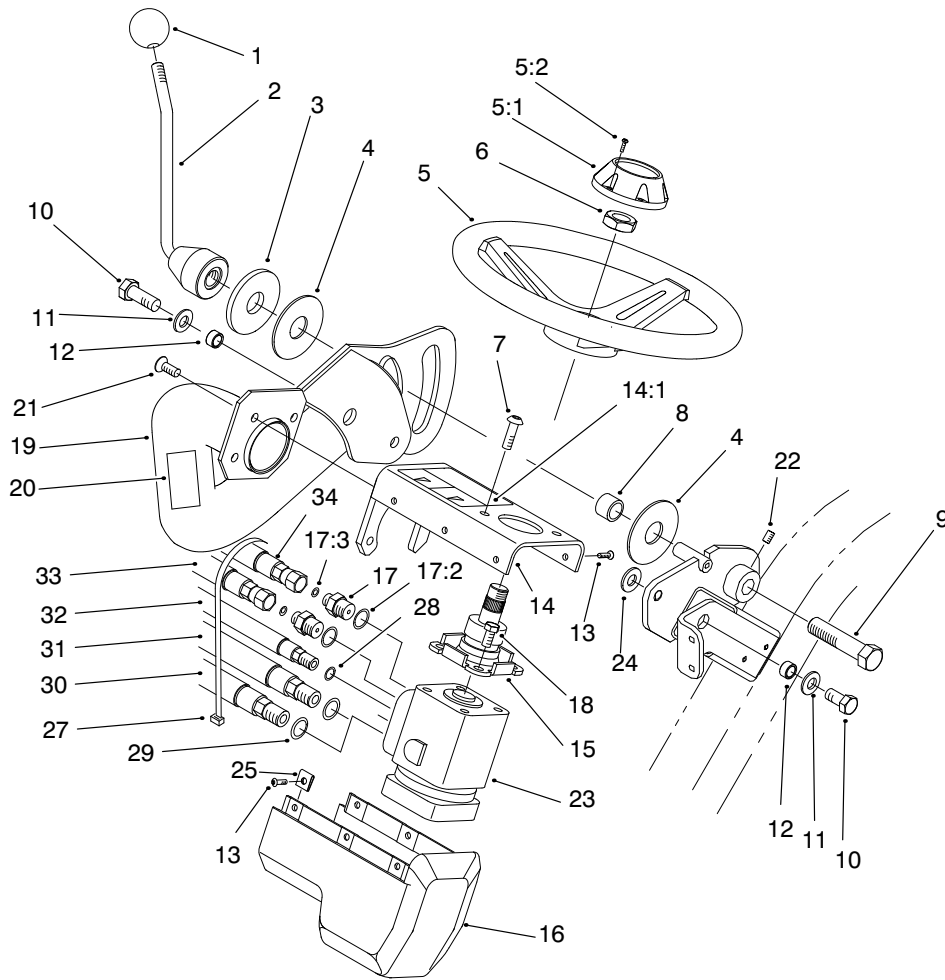
## HYDRAULIC DRIVE MOTOR ASSEMBLY NO. 92-9199

Ref. No.	Part No.	Description	No. Used
†1		Seal – Dirt & Water	1
†2		Bearing	1
†3		Housing	1
†4		Washer – Back-Up	1
†5		Ring – Seal	5
†6		Washer – Back-Up	1
†7		Seal – Inner	1
†8		Washer – Thrust	2
†9		Bearing – Thrust	1
†10		Bearing	1
11	76-0860	Shaft – Coupling	1
12	76-0850	Bearing – Thrust	1
13	92-9761	Link – Drive	7
14	92-9762	Screw – Cap Hex. Hd.	1
†15		Seal – Commutator	1
†16		Commutator	1
17	3257-42	Key – Woodruff	1
18	76-0870	Plate – Wear	1
†19		Rotor	1
†20		Vane	7
†21		Stator	1
22	76-0840	Manifold	1
†23		Ring – Commutator	1
24	76-0940	End Cover Assembly	1
*	92-9763	Rotor Set (Incl. Ref. #19-21)	1

Ref. No.	Part No.	Description	No. Used
*	76-0880	Commutator Assembly (Incl. Ref. #15, 16 & 23)	1
*	94-8178	Seal Kit (Incl. Ref. #1, 4-7 & 15)	1
*	76-0810	Housing Assembly (Incl. Ref. #2, 3 & 8-10)	1

\*Not Illustrated

†Not Serviced Separately



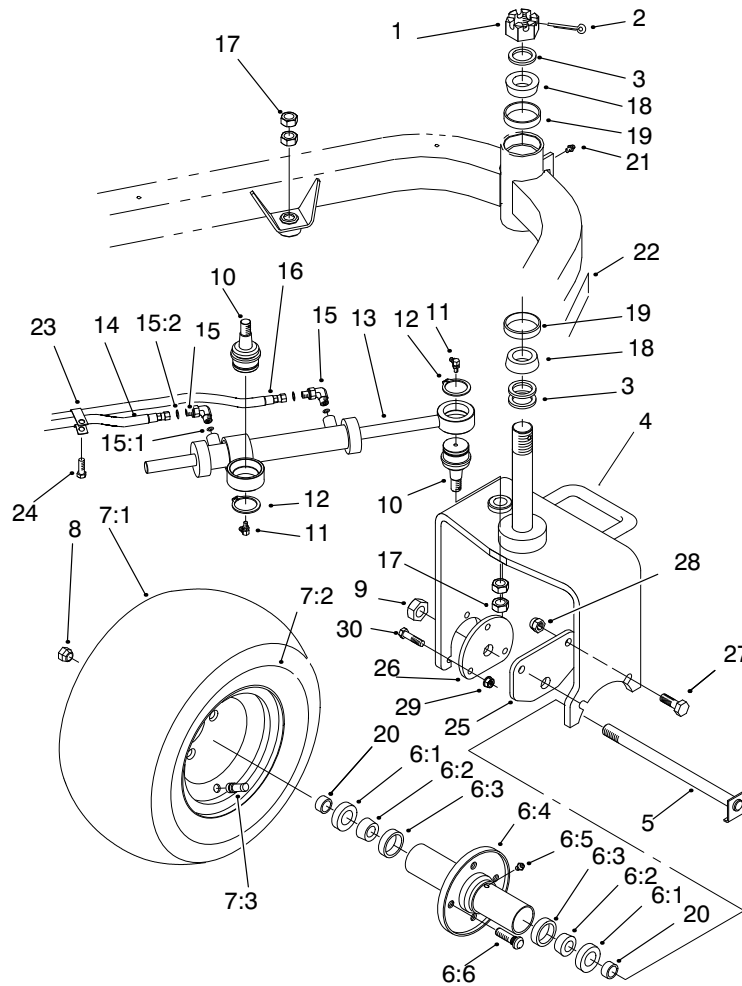
Sheet No.:5

## Steering Arm Assembly

Ref. No.	Part No.	Qty.	Description
1	233-48	1	Knob
2	93-2400-03	1	Lockup Handle
3	83-0760	1	Spacer - Lockup Plate
4	83-0740	2	Disc - Friction
5	68-5130	1	Steering Wheel
5:1	68-5140	1	Cap-Steering Wheel
5:2	32144-21	1	Screw F/W
6	47-6990	1	Nut
7	3274-63	2	Screw-HSH
8	83-0730	1	Spacer - Lockup
9	93-2199	1	Screw - HH (RH)
10	325-4	2	Screw-HH
11	3256-26	2	Washer-Flat
12	47-2890	2	Bushing
13	3274-39	6	Screw-HSBH
14	94-9628	1	Steering Cover Asm
14:1	93-8063	1	Decal-Warning
15	83-1420	1	Column-Steering
16	94-6366	1	Steering Valve Cover
17	340-133	2	Adapter

Ref. No.	Part No.	Qty.	Description
17:2	237-79	1	O-Ring
17:3	237-21	1	O-Ring
18	323-4	2	Screw-HH
19	93-2115-01	1	Steering Arm
20	93-8068	1	Decal-Steering Arm
21	3274-80	3	Screw-HH
22	3246-3	1	Screw-HS
23	93-2120	1	Steering Control Valve
23:6	94-4929	1	Kit - Seal
24	65-6390	1	Washer - Thrust, Plain
25	3290-277	6	Nut-Speed
27	3290-379	1	Tie-Cable
28	237-21	1	O-Ring
29	237-79	2	O-Ring
30	93-2272	1	Hose Asm
31	99-4218	1	Hose Asm
32	93-2269	1	Hose Asm
33	93-2270	1	Hose Asm
34	93-2122	1	Hose Asm

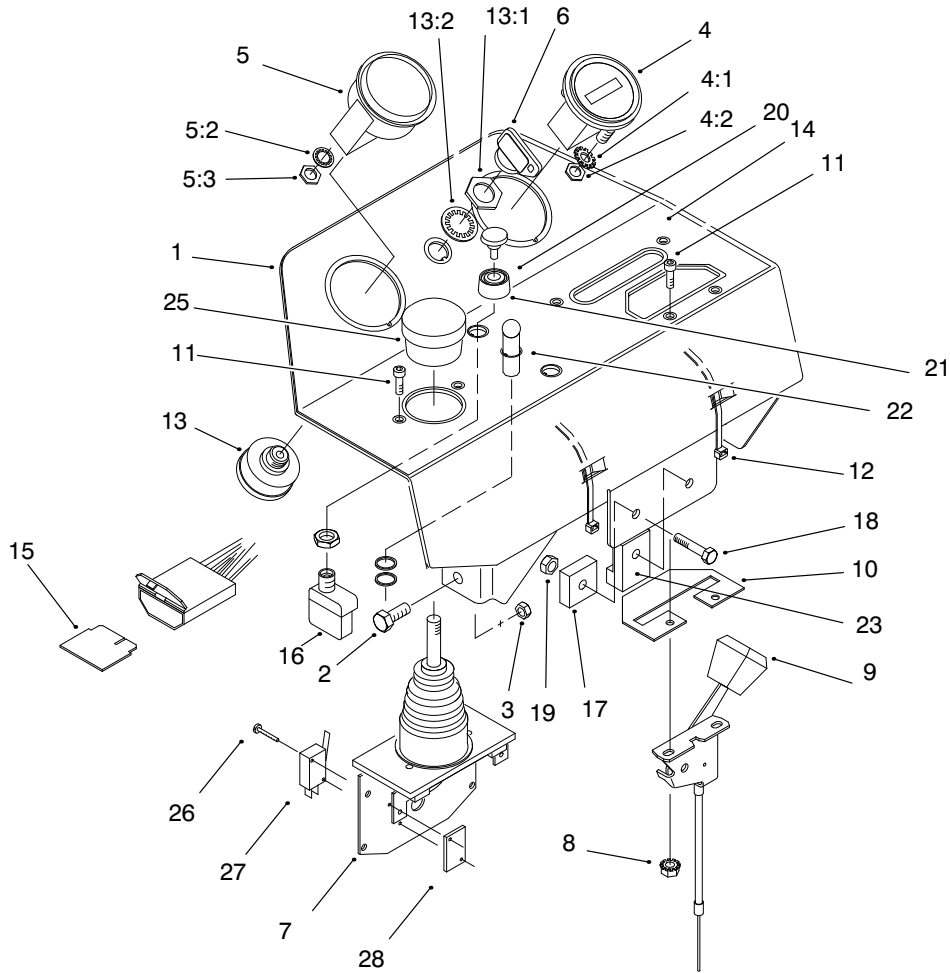




## Rear Wheel Assembly

Ref. No.	Part No.	Qty.	Description
1	32136-9	1	Nut Hex Slot
2	3272-37	1	Pin, Cotter
3	18-6320	3	Washer-Steering
4	99-1492-01	1	Castor Fork ASM, Welded
5	70-8370	1	Bolt
6	72-9710	1	Hub - Sulky Tire
6:1	253-111	2	Oil Seal
6:2	254-78	2	Cone-Bearing
6:3	254-79	2	Bearing-Roller, Cup
6:4	75-9440	1	Hub ASM
6:5	302-55	1	Zerk
6:6	10-6830	4	Stud-Type, Drive
7:1	70-8500	1	Tire
7:2	94-6116	1	Wheel - Rear
7:3	232-27	1	Stem-Valve
8	242-50	4	Nut-Lug
9	3296-67	1	Nut-Lock NI
10	92-5838	2	Ball Joint
11	302-60	2	Fitting-Lube
12	32151-104	2	Ring-Retaining, Ext
13	93-2122	1	Cylinder Assy - Steering
13:1	94-4398	1	Seal Kit - Repair
14	93-2270	1	Hose Assy - Hyd
15	340-132	2	90 Elbow

Ref. No.	Part No.	Qty.	Description
15:1	237-78	1	O-Ring
15:2	237-21	1	O Ring
16	93-2269	1	Hose Assy - Hyd
17	3220-6	4	Nut-Jam
18	254-70	2	Cone-Bearing
19	254-61	2	Cup-Bearing
20	70-8490	2	Rear Spindle Spacer
21	302-5	1	Fitting-Lube
22	99-1493	1	Decal-Greensmaster 3250-D
23	92-5753	1	Clamp - Hose Dbl
24	32144-14	1	Screw-HWH
25	99-1485-01	1	Plate-Adapter-Motor
26	99-1486-01	1	Plate-Adapter
27	325-6	2	Screw-HH
28	3296-23	2	Nut-Lock, NI
29	3296-39	3	Nut-Lock, NI
30	323-8	3	Screw-HH



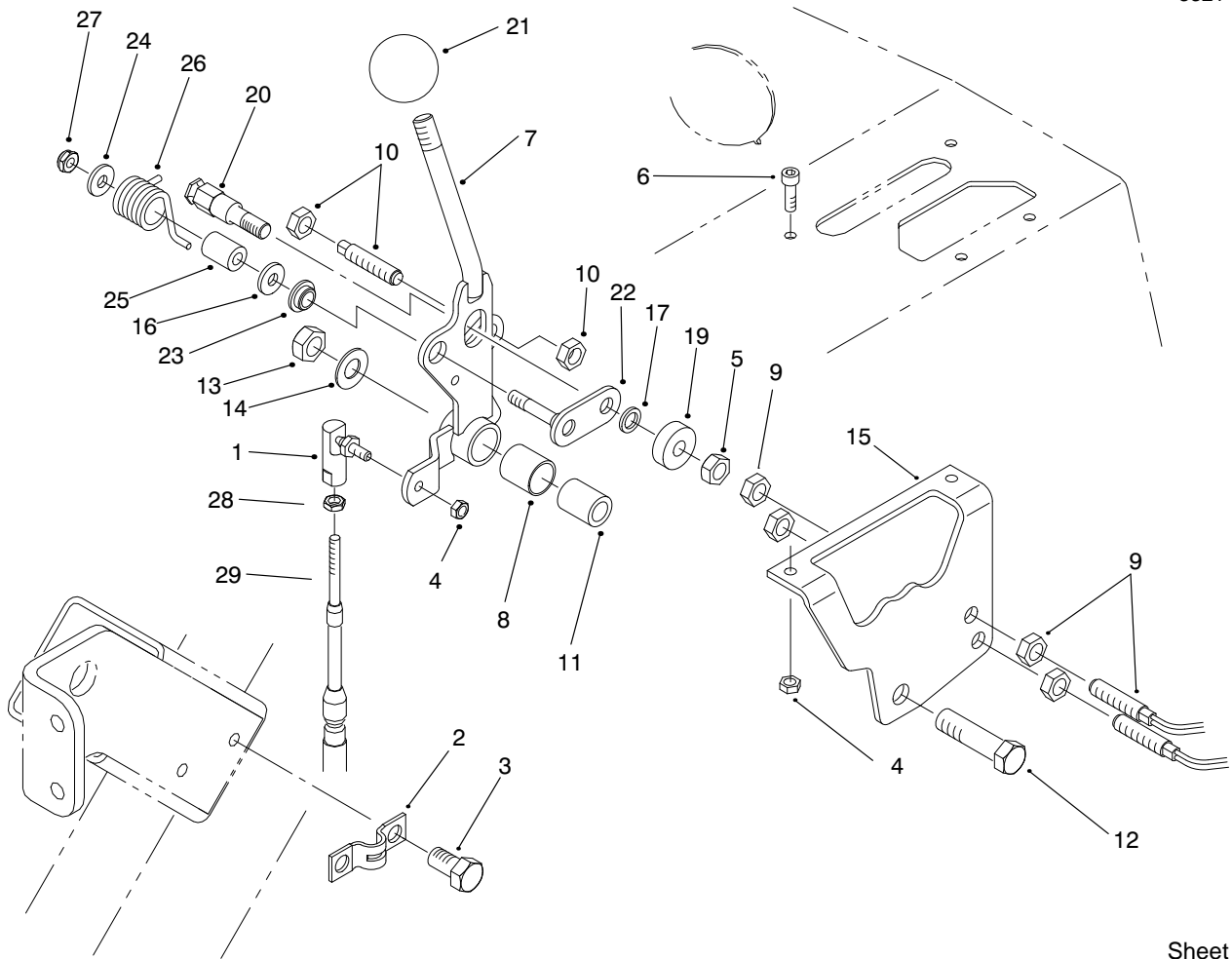
Sheet No.:7

## Console Assembly

Ref. No.	Part No.	Qty.	Description
1	100-3185-03	1	Console ASM,
2	33114-020	4	Screw-HH
3	33024-00	4	Nut-Lock NI
4	66-2950	1	Guage-Hourmeter
4:1	3255-20	2	Washer-Lock, Ext. Tooth
4:2	3217-25	2	Nut-Hex
5	93-7053	1	Warning Lamp Cluster
*5:1	219-17	4	Bulb
5:2	3254-1	1	Washer-Lock/Int
5:3	3217-26	1	Nut-Hex
6	63-8360	1	Key-Ignition
7	98-2195	1	Joystick (Incl 25-28)
8	32149-8	2	Keps Nut
9	99-8150	1	Control-Throttle (Diesel)
10	99-8195-03	1	Plate-Cover
11	3273-26	4	Hex Soc Screw
12	3290-378	2	Tie-Cable
13	27-2360	1	Key Switch
13:1	218-446	1	Nut-Hex
13:2	218-447	1	Washer-Lock
14	100-3183	1	Decal-Contr0l-Panel
15	92-3188	1	Diode - Circuit Board
16	72-9760	1	Switch
17	92-2538	1	Timer - Glow Plug

Ref. No.	Part No.	Qty.	Description
18	33113-030	1	Screw-HH
19	33023-00	2	Nut-Lock NI
20	43-6280	1	Push Button
21	43-6420	1	Bezel
22	44-2212	1	Amber Indicator Light
23	99-9666	1	Module
24	33113-020	1	Screw-HH
25	3290-489	1	Knob-Control, Left
26	3290-93	4	Screw
27	2128-590	2	Switch-Micro
28	3290-354	2	Plate-Nut

\* Not illustrated

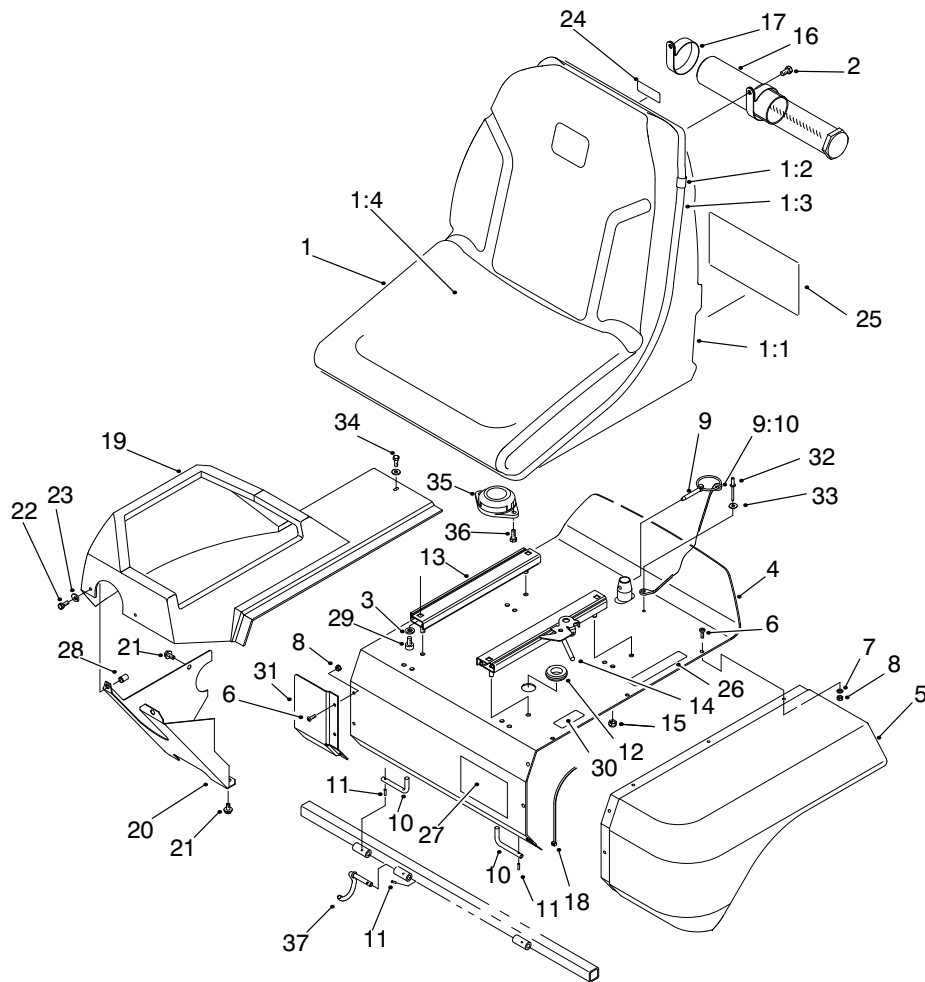


Sheet No.:8

## Functional Control Lever Assembly

Ref. No.	Part No.	Qty.	Description
1	2411-38	1	Ball Joint
2	93-2279	1	Clamp – Cable
3	32144-14	2	Screw-HWH
4	3296-27	3	Nut-Lock NI
5	33024-00	1	Nut-Lock NI
6	3273-26	2	Hex Soc Screw
7	94-9611	1	Handle
8	256-311	1	Split Bushing
9	93-2055	2	Reed Switch – Sensor
10	93-2056	1	Reed Switch – Actuator
11	94-1378	1	Tube – Handle Pivot
12	33115-040	1	Screw-HH
13	33025-00	1	Nut-Lock NI
14	3256-24	1	Washer-Flat
15	94-6398	1	Bracket – Traction
16	3256-23	1	Washer-Flat
17	75-5470	1	Spacer-Bearing
19	251-259	1	Bearing
20	94-9617	1	Pin – Spring
21	233-42	1	Knob
22	94-9614	1	Roller Pivot
23	94-9619	1	Bushing
24	3256-1	1	Washer-Flat
25	94-9618	1	Spacer – Spring
26	94-9620	1	Spring – Torsion

Ref. No.	Part No.	Qty.	Description
27	33023-00	1	Nut-Lock NI
28	3219-4	1	Nut-Jam
29	94-1304	1	Cable-Neutral Lock

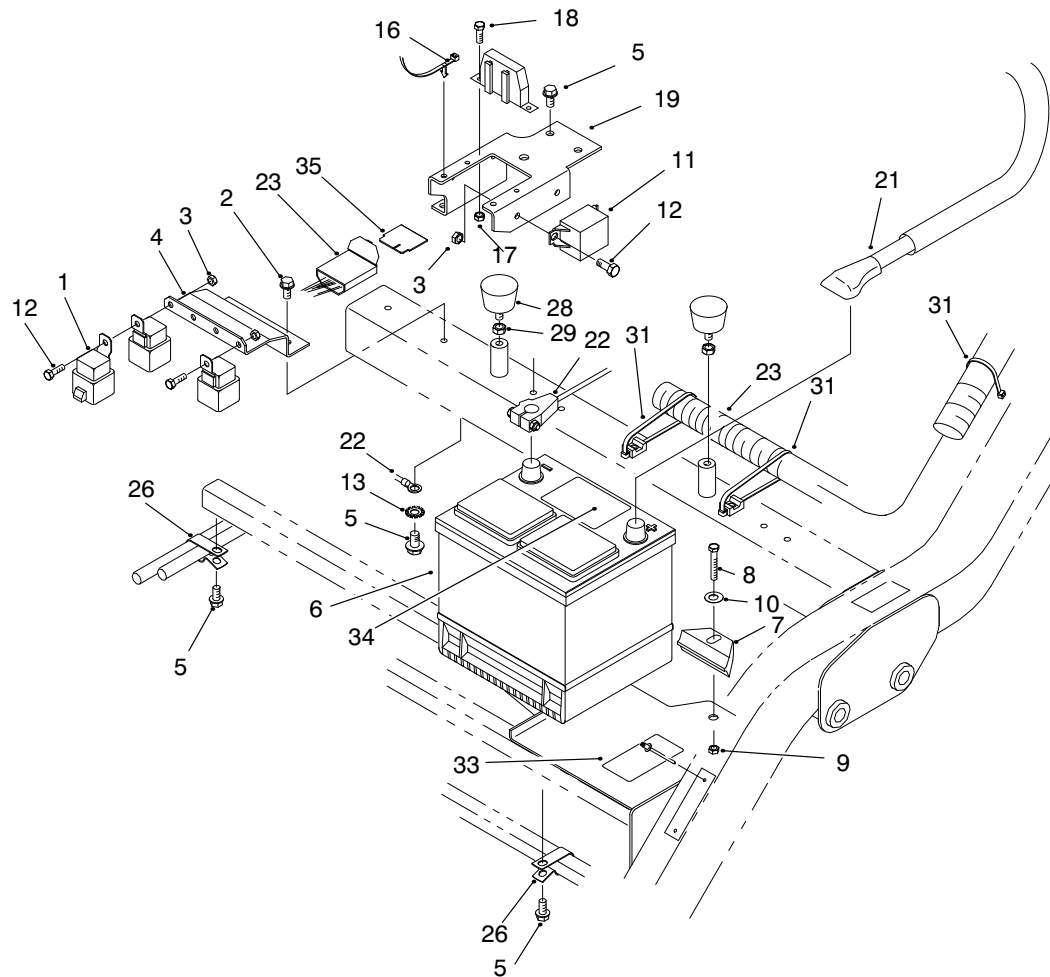


Sheet No.:9

## Seat Assembly

Ref. No.	Part No.	Qty.	Description
1	100-3187	1	Seat
1:1	92-6534	1	Shell
1:2	351-80	1	Clip
1:3	351-78	1	Edging
1:4	100-6411	1	Cushion-Replacement
2	322-2	2	Screw-HH
3	3256-23	4	Washer-Flat
4	93-2135-03	1	Seat Support
5	93-2128	1	Panel - Seat Base
6	3274-39	9	Screw-HSBH
7	3256-77	6	Washer-Flat
8	3296-12	9	Nut-Lock
9	77-3780	1	Pin ASM
9:10	28-8070	1	Lanyard
10	93-2422	2	Rod - Seat Pivot
11	32121-7	3	Pin-Spring
12	237-100	1	Grommet
13	92-8990	1	Adjuster - 7"
14	92-8991	1	Adjuster w/Latch
15	3296-29	4	Nut-Lock
16	74-0720	1	Tube-Manual
17	2412-133	2	R-Clamp
18	3290-378	1	Tie-Cable
19	99-4208	1	Shroud-Console
20	94-4547-01	1	Panel - Lower, RH
21	32144-14	2	Screw-HWH

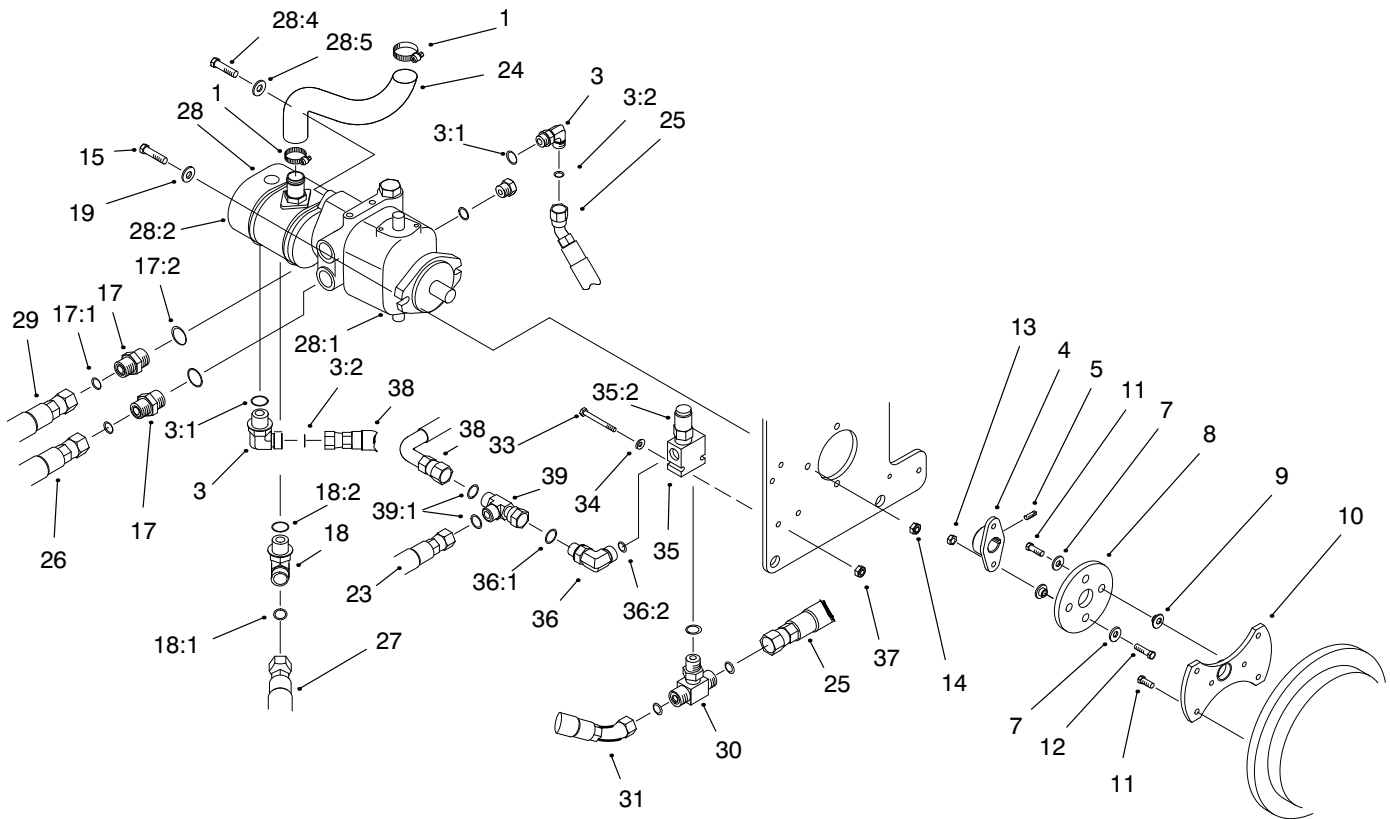
Ref. No.	Part No.	Qty.	Description
22	33113-016	2	Screw-HH
23	3256-1	3	Washer-Flat
24	93-8067	1	Decal-Hydraulic Oil
25	100-3150	1	Decal-Service
26	93-6689	1	Decal - No Riders
27	94-2579	1	Decal - Toro
28	93-5447	2	Nut - Clinch,
29	3274-12	4	Screw-HSH
30	93-7252	1	Decal-C.e. Mark
31	94-4546-01	1	Panel Extension
32	3290-282	1	Pop Rivet-Steel
33	3256-49	1	Washer-Flat
34	33113-012	1	Screw-HH
35	92-6282	1	Seat Switch
36	32144-10	2	Screw-HWH
37	99-4247	1	Wire-Hook



Sheet No.:10

## Electronics Installation Assembly

Ref. No.	Part No.	Qty.	Description	Ref. No.	Part No.	Qty.	Description
1	70-1480	8	Relay	33	93-6668	1	Decal - Battery
2	32144-11	2	5/16-18 X 3/4 Thrd Sc	34	93-7276	1	Decal - Danger
3	33023-00	6	Nut-Lock NI	35	92-3188	1	Diode - Circuit Board
4	93-2169-01	1	Bracket - Relay				
5	32144-14	5	Screw-HWH				
6	66-2750	1	Battery\grp26 Wet				
7	66-2490	1	Battery Retainer				
8	33115-040	1	Screw-HH				
9	33025-00	1	Nut-Lock NI				
10	3256-24	1	Washer-Flat				
11	66-8800	1	Relay				
12	33113-016	6	Screw-HH				
13	3254-2	1	Washer-Lock/Int				
16	94-1325	2	Push Mount - Tie				
17	3296-2	2	Nut-Lock				
18	32105-13	2	Screw-Shh				
19	100-3186-03	1	Bracket-Fuse Holder				
21	95-8853	1	Cable - Battery, Positive				
22	99-8167	1	Cable-Battery, Negative				
23	99-8165	1	Wire Harness,Gr3250d				
26	92-5753	1	Clamp - Hose Dbl				
28	68-3270	2	Rubber Bumper				
29	3218-2	2	Nut-Jam				
31	3290-378	6	Tie-Cable				



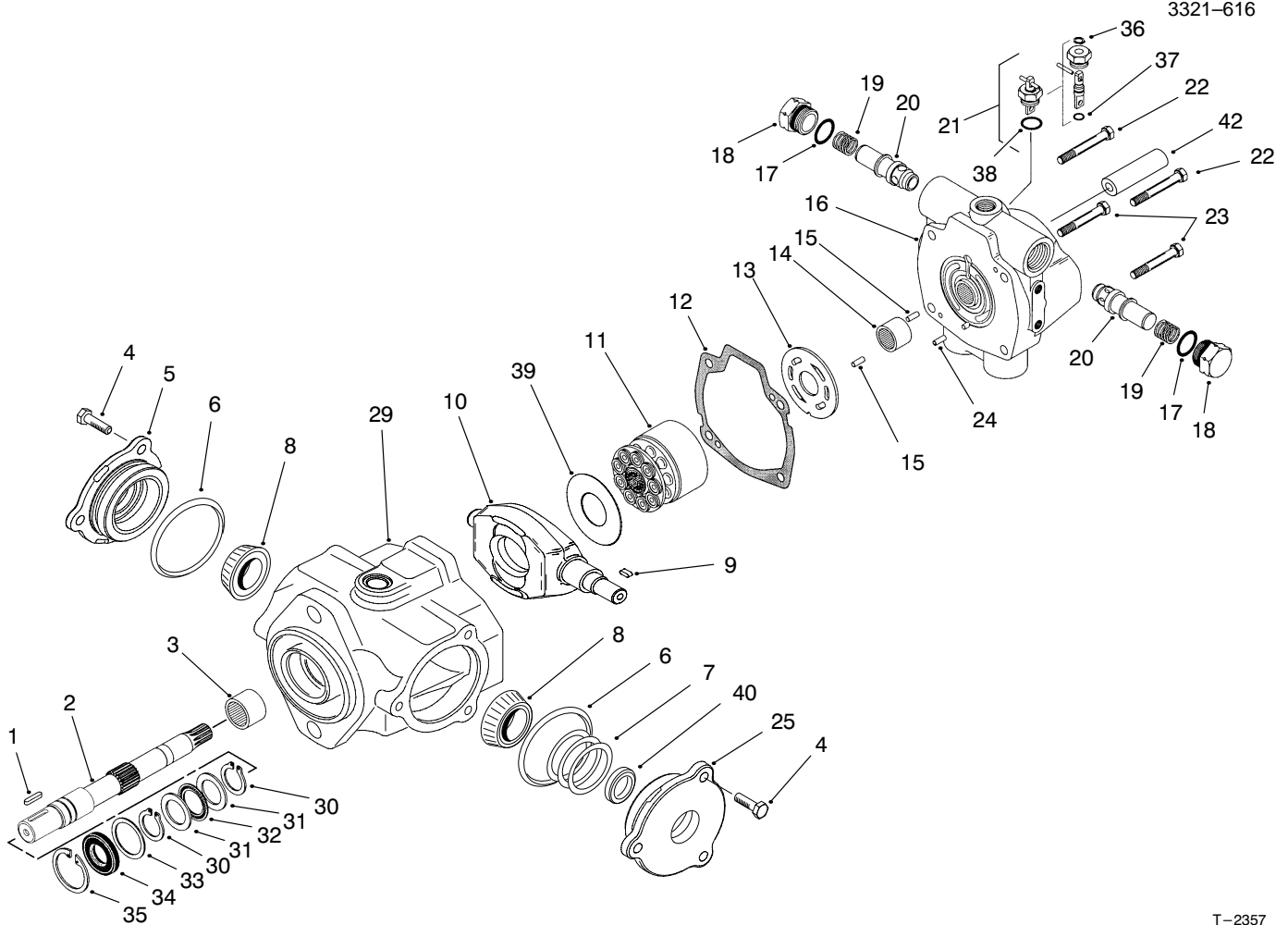
Sheet No.:11

## Hydrostat And Gear Pump Assembly

Ref. No.	Part No.	Qty.	Description
1	2412-34	2	Clamp-Hose
3	340-18	2	Fitting
3:1	237-79	1	O-Ring
3:2	237-22	1	O-Ring
4	93-2589	1	Hub - Pump
5	3241-6	2	Screw, Sq Hd
7	3256-3	2	Washer-Flat
8	80-8650	1	Coupling - Drive
9	27-6600	4	Spacer-Coupling
10	93-2220-03	1	Pump Adapter
11	33114-020	6	Screw-HH
12	33114-030	1	Screw-HH
13	33024-00	2	Nut-Lock NI
14	33025-00	2	Nut-Lock NI
15	33115-040	2	Screw-HH
17	340-8	2	Adapter
17:1	237-65	1	O-Ring
17:2	237-81	1	O-Ring
18	340-17	1	Adapter
18:1	237-65	1	O-Ring
18:2	237-80	1	O-Ring
19	100-4852	2	Washer - Hardened
23	99-4218	1	Hose ASM
24	99-1905	1	Hose - Pump Inlet

Ref. No.	Part No.	Qty.	Description
25	94-6384	1	Hose ASM
26	99-4220	1	Hose ASM
27	99-4216	1	Hose ASM
28	99-8152	1	Hydro Gear Pump
28:1	100-3174	1	Hydrostat Assembly
28:2	94-6390	1	Gear Pump
*28:3	60-3520	1	Seal - O-Ring
28:4	3274-1	2	Screw-HSH
28:5	3256-24	2	Washer-Flat
29	99-4217	1	Hose ASM
30	340-94	1	Adapter
31	99-4215	1	Hose ASM
33	33113-050	2	Screw-HH
34	3256-22	2	Washer-Flat
35	94-6385	1	Valve - Relief
35:2	94-6386	1	Cartridge - Relief Valve
36	340-77	1	Fitting-Hyd. 90°
36:1	237-22	1	O-Ring
36:2	237-42	1	O-Ring
37	33023-00	2	Nut-Lock NI
38	99-4219	1	Hose ASM
39	340-115	1	Fitting-Tee
39:1	237-22	2	O-Ring

\* Not illustrated



T-2357

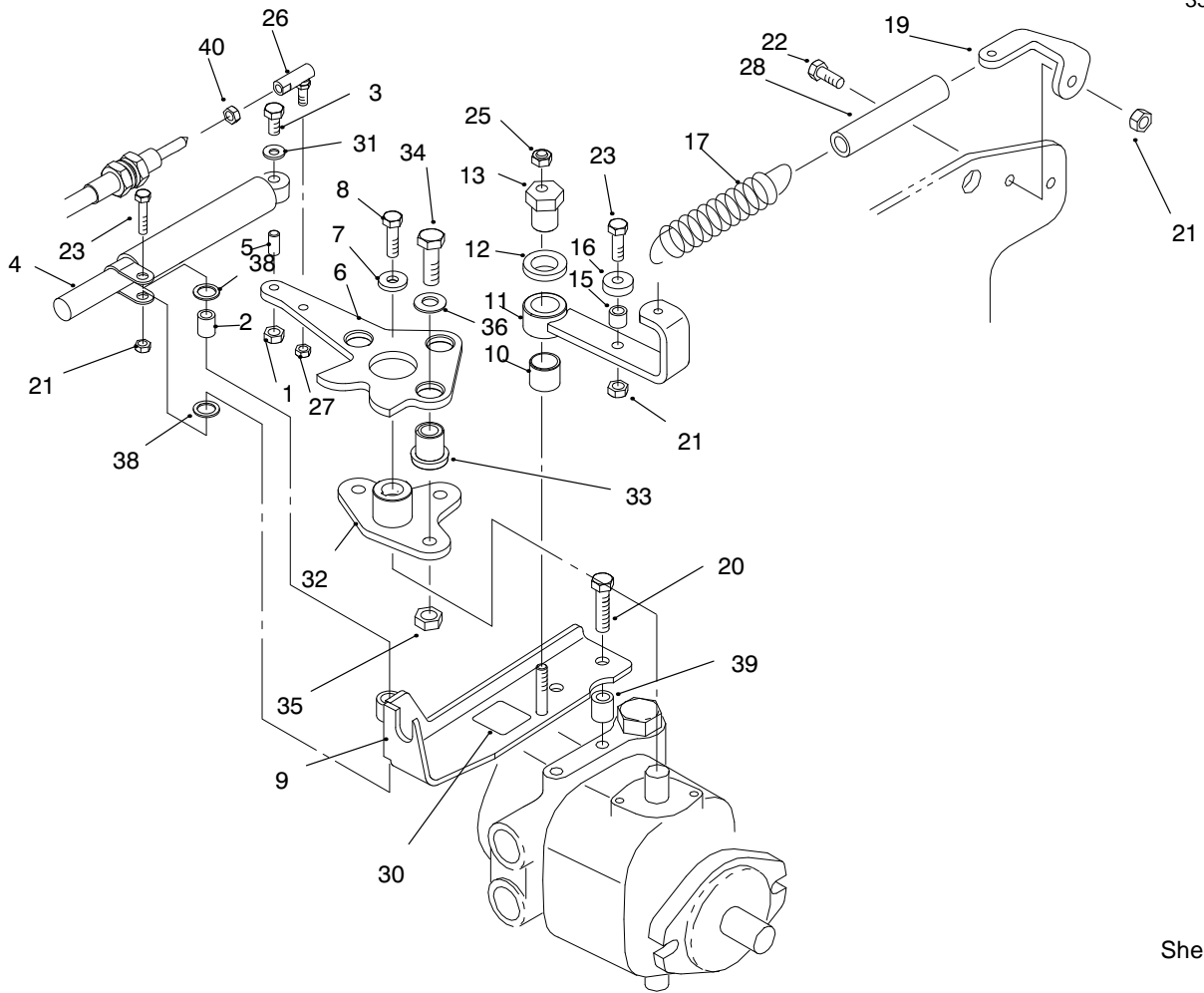
## HYDROSTAT ASSEMBLY NO. 100-3174

Ref. No.	Part No.	Description	No. Used	Ref. No.	Part No.	Description	No. Used
1	94-3645	Key	1	21	100-3181	Dump Valve Assembly (Incl. Ref. #36-38)	1
2	94-6359	Shaft - Drive	1	22	76-6170	Screw - Cap	2
3	94-6363	Bearing	1	23	76-6160	Screw - Cap	2
4	98-4640	Screw - Cap	6	†24		Pin - Roll	1
5	98-4644	Cover Plate Assembly	1	25	98-4645	Cover Plate Assembly	1
6	100-3179	O-Ring	2	29	100-3176	Housing Assembly (Incl. Ref. #3)	1
7	100-3182	Shim Kit	1	30	32151-29	Ring - Retaining	2
8	98-4639	Bearing - Cone	2	31	252-71	Race - Bearing	2
9	94-3646	Key	1	32	252-66	Bearing - Thrust	1
10	100-3175	Plate - Cam	1	33	33-3720	Washer	1
11	76-6070	Rotating Kit Assembly	1	34	42-2720	Seal - Shaft	1
12	33-4930	Gasket	1	35	32151-13	Ring - Retaining	1
13	100-3180	Plate - Valve	1	†36		Ring - Retaining	1
14	94-6368	Bearing	1	†37		O-Ring	1
15	76-6150	Pin - Dowel	2	†38		O-Ring	1
16	100-3177	Back Plate Assembly (Incl. Ref. #14 & 24)	1	39	98-4635	Insert - Camplate	1
†17		O-Ring	4	†40		Seal - Shaft	1
18	70-1240	Plug Assembly (Incl. Ref. #17)	2	42	74-9040	Coupler	1
19	100-3178	Spring	2	*	98-4643	Seal Repair Kit (Incl. Ref. #6, 12, 17, 30, 34-38 & 40)	1
20	94-3644	Seat	2				

\*Not Illustrated

†Not Serviced Separately

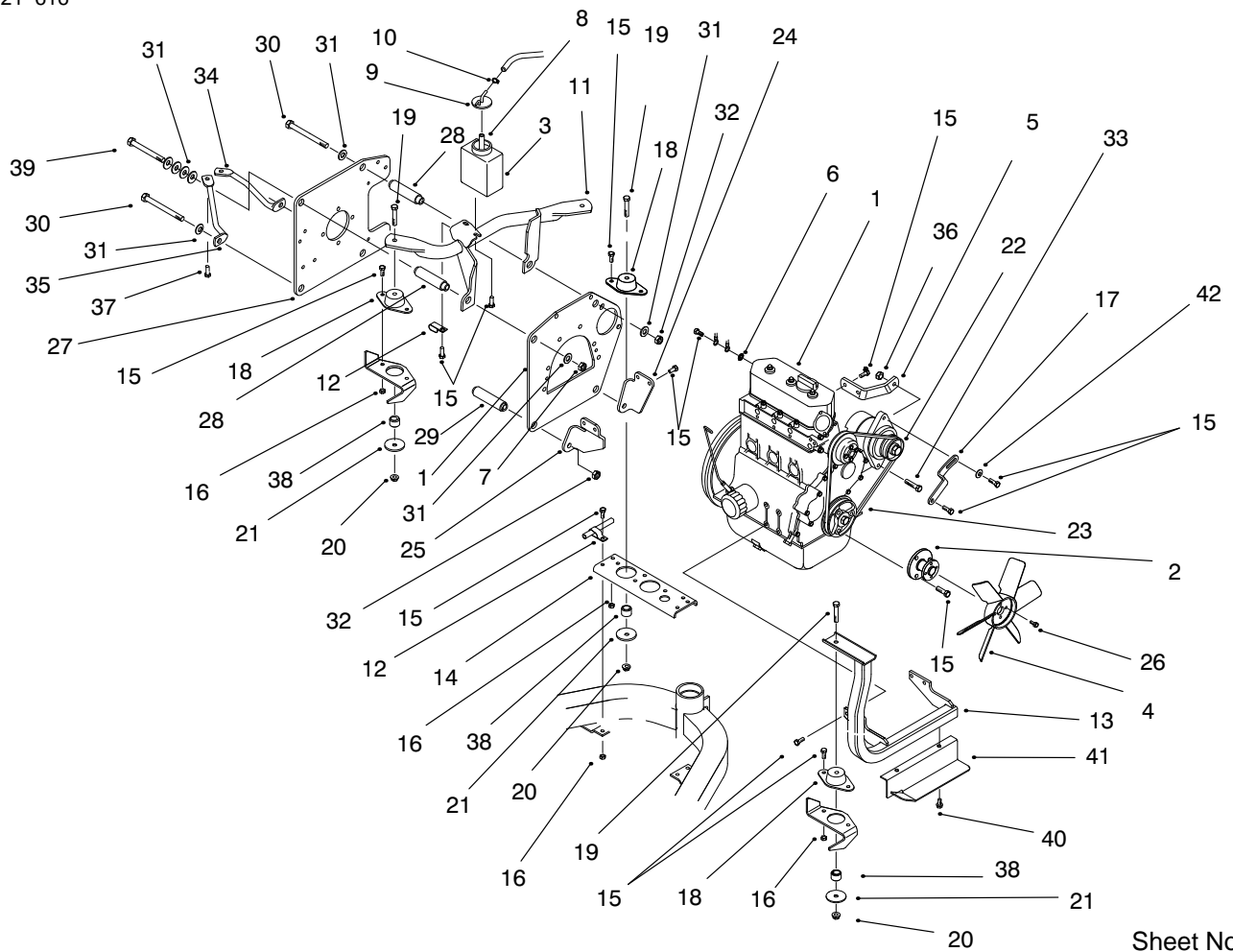




Sheet No.:12

## Neutral System Assembly

Ref. No.	Part No.	Qty.	Description	Ref. No.	Part No.	Qty.	Description
1	33023-00	1	Nut-Lock NI	31	3256-22	1	Washer-Flat
2	94-8197	1	Tube - Pivot	32	94-3486	1	Plate
3	33113-030	1	Screw-HH	33	63-9750	3	Mount
4	76-8870	1	Lever Damper Assy	34	33115-035	3	Screw-HH
5	94-1312	1	Spacer - Pivot	35	33025-00	3	Nut-Lock NI
6	94-3488-03	1	Lever - Pump	36	2844	3	Washer
7	88-7200	1	Washer-Flat	38	94-8196	2	Washer - Nylon
8	3210-6	1	Screw-HH	39	43-3800	2	Bushing PTO Fork
9	94-9603	1	Cable Support	40	3220-1	1	Nut-Jam
10	94-9609	1	Bushing - Straight				
11	94-4527	1	Neutral Arm				
12	3-6498	1	Washer-Thrust				
13	93-2111	1	Stud - Traction				
15	65-7910	1	Spacer				
16	251-259	1	Bearing				
17	94-1369	1	Spring - Extension				
19	99-4249	1	Bracket-Spring				
20	323-7	2	Screw-HH				
21	33024-00	2	Nut-Lock NI				
22	33114-025	1	Screw-HH				
23	33114-030	2	Screw-HH				
25	3296-29	1	Nut-Lock				
26	2411-34	1	Ball Joint				
27	3296-13	1	Nut-Lock NI				
28	99-4251	1	Hose-Dampener				
30	93-9051	1	Decal - Eccentric Bolt				

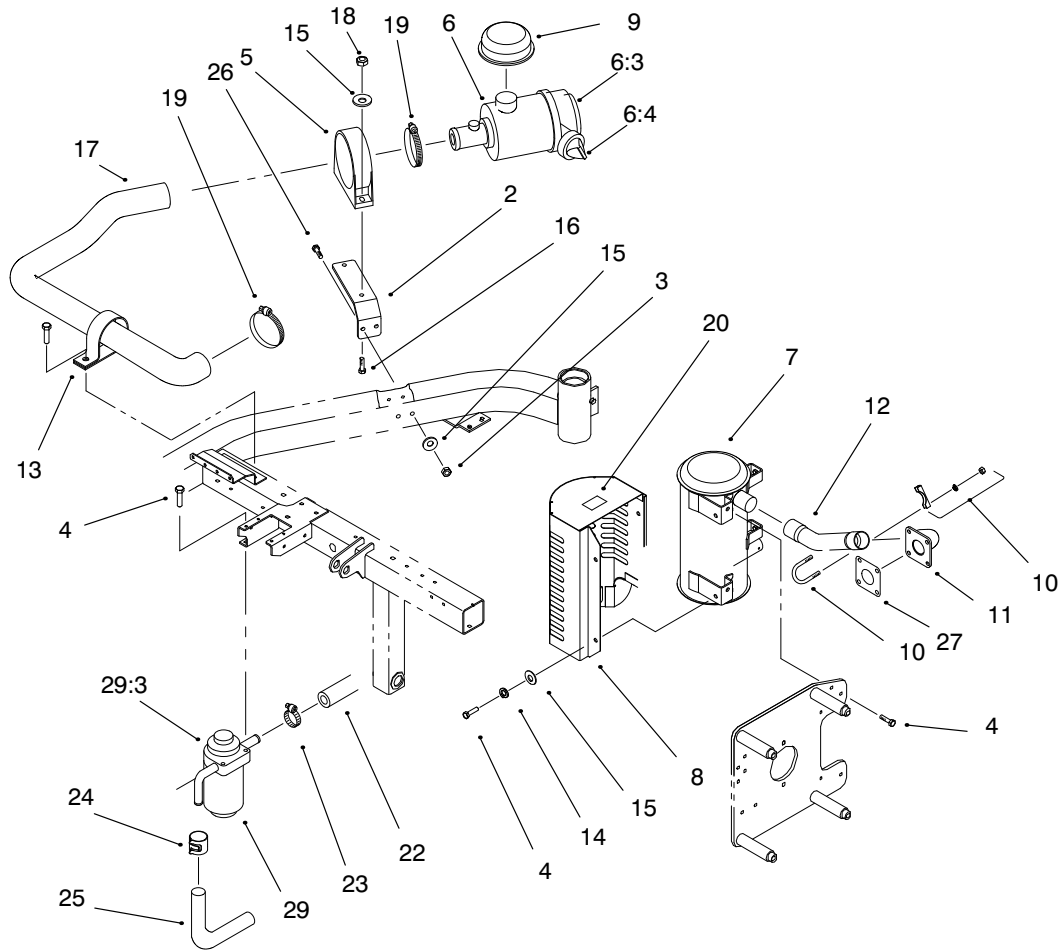


Sheet No.:13

## Engine Installation Assembly

Ref. No.	Part No.	Qty.	Description
1		1	Engine-Briggs Daihatsu Model 522447 Type 0107 Trim E29
2	99-1495	1	Adapter-Fan
3	93-2049	1	Tank-Overflow
4	93-2090	1	Fan - Engine,
5	93-2445	1	Bracket - Alt, Upper
6	3254-3	1	Washer-Lock/Int
7	51-2070	1	Nut
8	94-1348	1	Hose-Tank, Recov
9	93-2048	1	Cap-Tank, Overflow
10	2412-108	1	Clamp-Worm
11	100-3190-03	1	Engine Mount ASM,
12	92-5753	2	Clamp - Hose Dbl
13	99-1473-03	1	Eng Mount Wa - Front
14	93-2020-01	1	Bracket - Support
15	33114-020	20	Screw-HH
16	33024-00	4	Nut-Lock NI
17	93-2446	1	Bracket - Alt, Lower
18	83-1030	3	Mount-Engine
19	323-11	3	Screw-HH
20	3290-357	3	Nut-Flange, Lock
21	83-1040	3	Washer - Flat
22	99-9209	1	Alternator
23	99-8153	1	Belt-V

Ref. No.	Part No.	Qty.	Description
24	99-4189-03	1	Bracket-Engine,LH
25	99-4188-03	1	Bracket-Engine-RH
26	33113-016	4	Screw-HH
27	99-4190-03	1	Plate-Pump
28	93-2588	2	Spacer - Upper
29	93-2174	2	Spacer
30	33116-130	3	Screw-HH
31	87-7270	9	Washer - Thrust
32	33026-00	3	Nut-Lock NI
33	33115-050	1	Screw-HH
34	99-4240	1	Brace-Wireform,LH
35	99-4238	1	Brace-Wireform,RH
36	33025-00	1	Nut-Lock NI
37	323-4	2	Screw-HH
38	94-4538	3	Spacer - Mount
39	33116-120	1	Screw-HH
40	32144-14	2	Screw-HWH
41	94-8156-03	1	Deflector - Fan
42	3256-3	1	Washer-Flat



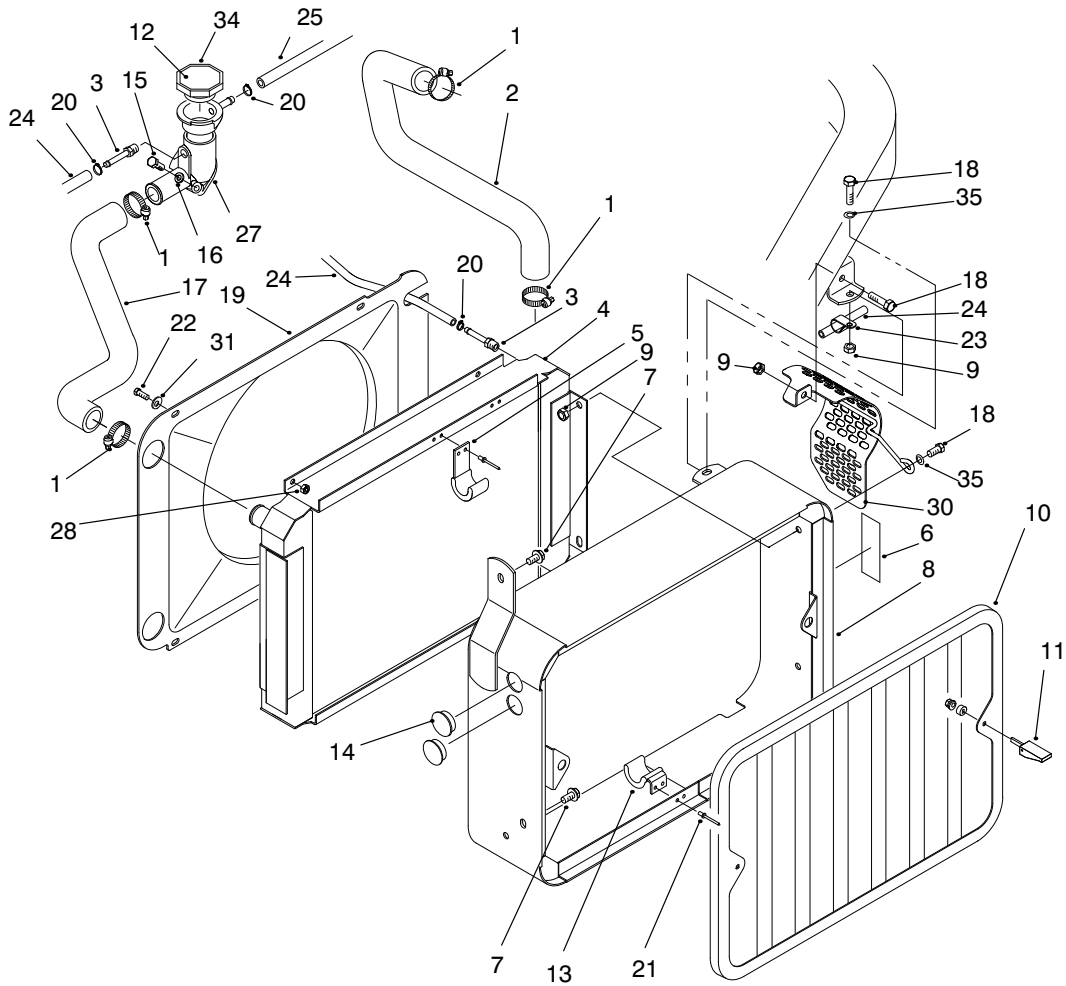
Sheet No.:14

## Air Cleaner, Fuel Filter & Exhaust Assembly

Ref. No.	Part No.	Qty.	Description
2	99-4203	1	Bracket-Air Cleaner
3	33024-00	2	Nut-Lock NI
4	33114-020	8	Screw-HH
5	95-5806	1	Bracket - Mounting, Air Cleaner
6	95-5805	1	Air Cleaner ASM
*6:2	93-2195	1	Filter
6:3	94-3652	1	Cover ASM
*6:3:1	E643283	2	Latch-Cleaner, Air
6:4	87-9400	1	Valve-Vacuator
7	94-8153	1	Muffler
8	94-8182-03	1	Muffler Shield
9	46-7510	1	Hood-Inlet, Air
10	2112-9	2	Clamp
11	99-1472	1	Exhaust Plate,
12	99-1494	1	Pipe - Exhaust
13	2412-107	1	R Clamp
14	3253-4	4	Washer-Lock/Sp
15	3256-23	4	Washer-Flat
16	322-16	2	Screw-HH
17	99-4204	1	Hose-Air Cleaner
18	3296-29	2	Nut-Lock
19	2412-92	2	Clamp-Hose
20	93-8069	1	Decal-Hot Surface
22	92-9283	1	Hose - Fuel, Vent
23	2412-108	1	Clamp-Worm

Ref. No.	Part No.	Qty.	Description
24	92-2379	1	Clamp-Hose
25	93-5553	1	Hose - Fuel
26	33114-080	2	Screw-HH
27	99-9179	1	Gasket-Exhaust
28	99-9176	4	Nut-Metric Hex
29	100-3191	1	Fuel Fltr/Wtr
*29:1	100-3192	1	Separator, Diesel
*29:2	100-6409	1	Fuel Filter Element
29:3	100-6408	1	Cover-Filter

\* Not illustrated

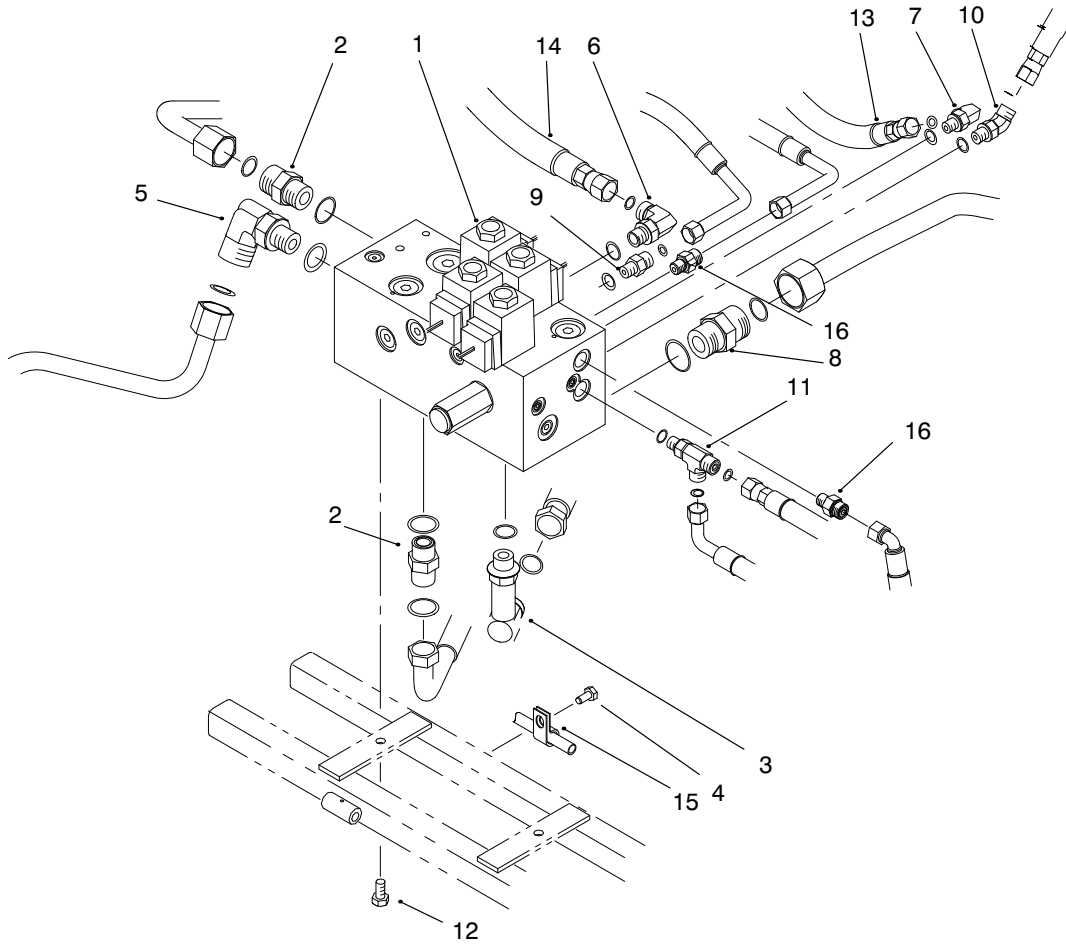


Sheet No.:15

## Radiator Assembly

Ref. No.	Part No.	Qty.	Description
1	2412-34	2	Clamp-Hose
2	99-1469	1	Hose - Radiator
3	304-73	1	Hose Connector
4	99-8193	1	Radiator
5	93-2425	2	Bracket - Cooler, Upper
6	93-6681	1	Decal-Warning, Fan
7	32144-14	2	Screw-HWH
8	100-3163-01	1	Radiator Support ASM
9	33024-00	6	Nut-Lock NI
10	93-2050	1	Screen
11	74-5950	2	Latch-Swell
12	93-7840	1	Decal-Cap, Radiator
13	93-2424	2	Bracket - Cooler, Lower
14	94-4528	2	Plug
15	33113-025	2	Screw-HH
16	3253-3	2	Washer-Lock/Sp
17	93-2018	1	Hose - Radiator
18	33114-020	6	Screw-HH
19	93-2320	1	Fan Shroud
20	2412-108	2	Clamp-Worm
21	3269-15	8	Rivet
22	33113-016	4	Screw-HH
23	92-5753	1	Clamp - Hose Dbl
24	27-4480	1	Hose

Ref. No.	Part No.	Qty.	Description
25	92-9283	1	Hose - Fuel, Vent
27	93-2448	1	Housing ASM - Thermostat
28	33023-00	4	Nut-Lock NI
30	100-3164-03	1	Alternator Guard
31	3256-22	4	Washer-Flat
34	66-3240	1	Cap-Radiator
35	3256-23	2	Washer-Flat

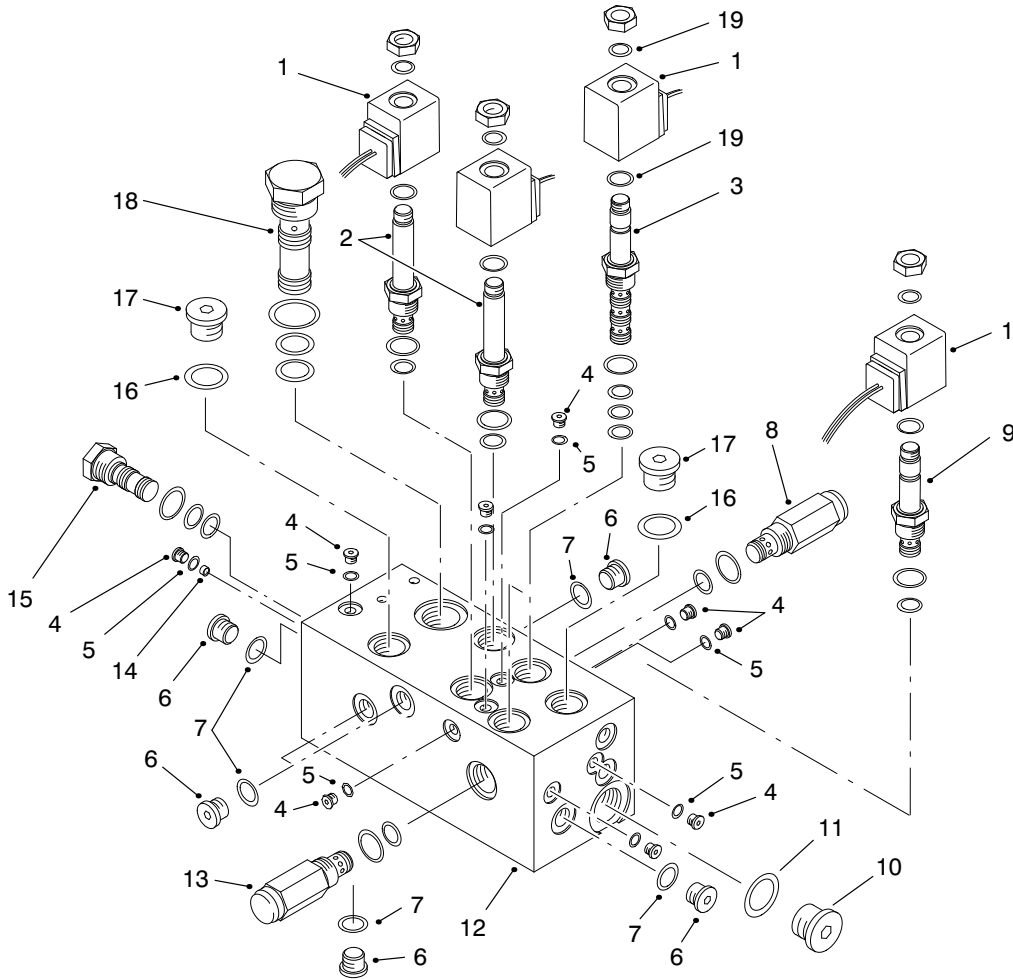


Sheet No.:16

## Manifold Block Installation Assembly

Ref. No.	Part No.	Qty.	Description
1	93-2240	1	Manifold – Mow/Lift Basic
2	340-7	2	Adapter
2:1	237-65	1	O-Ring
2:2	237-80	1	O-Ring
3	99-4214	1	Fitting-Hydraulic
3:1	237-79	1	O-Ring
3:2	237-30	1	O-Ring
5	340-17	1	Adapter
5:1	237-65	1	O-Ring
5:2	237-80	1	O-Ring
6	340-77	1	Fitting-Hyd. 90°
6:1	237-22	1	O-Ring
6:2	237-42	1	O-Ring
7	340-132	1	90 Elbow

Ref. No.	Part No.	Qty.	Description
7:1	237-78	1	O-Ring
7:2	237-21	1	O Ring
8	340-9	1	Fitting-Straight
8:1	237-58	1	O-Ring
8:2	237-81	1	O-Ring
9	340-92	1	Fitting
9:1	237-78	1	O-Ring
9:2	237-21	1	O Ring
10	340-103	1	Fitting
11	340-140	1	Adapter Tee
12	33114-016	2	Screw-HH
13	93-2271	1	Hose Assy – Hyd
14	93-2272	1	Hose Assy – Hyd
16	95-1639	2	Fitting – Orificed



T-2251-1

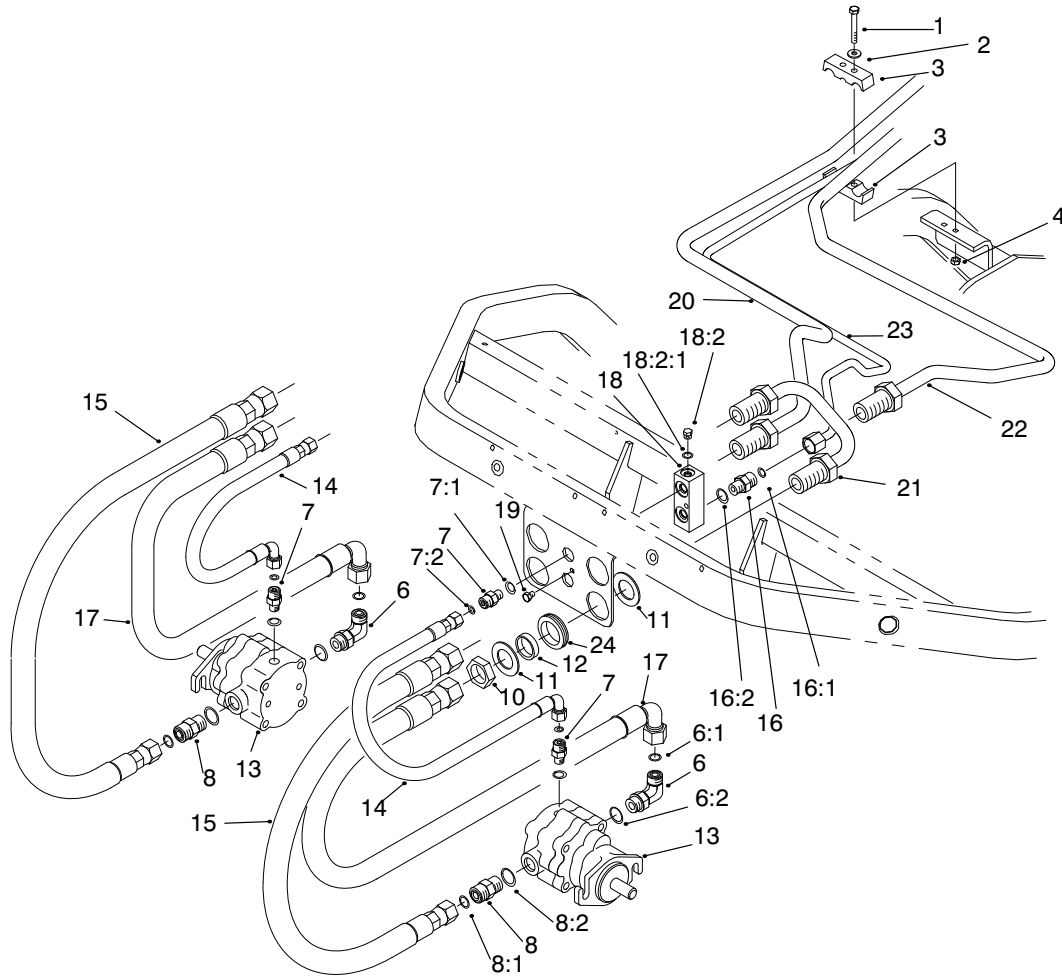
## MANIFOLD ASSEMBLY NO. 93-2240

Ref. No.	Part No.	Description	No. Used
1	88-9190	Solenoid-20 Watt	4
2	93-7494	Cartridge-N.O. Poppet (Use Seal Kit #75-2080)	2
3	94-2627	Cartridge (Use Seal Kit #75-2090)	1
4	353-991	Plug (Incl. Ref. #5)	9
5	237-156	O-Ring	9
6	353-989	Plug (Incl. Ref. #7)	6
7	237-42	O-Ring	6
8	95-1601	Cartridge-Relief 2400 psi (Use Seal Kit #75-2080)	1
9	92-6315	Cartridge-N.C. (Use Seal Kit #75-2080)	1
10	353-988	Plug (Incl. Ref. #11)	1
11	237-79	O-Ring	1
†12		Body-Manifold	1
13	94-6351	Cartridge-Relief 150 psi (Use Seal Kit #75-2080)	1
14	95-5999	Plug-Orifice	1
15	94-6353	Plug-Cavity (use Seal Kit #95-5641)	1
16	237-80	O-Ring	2
17	354-70	Plug (Incl. Ref. #16)	2
18	94-6352	Plug-Cavity (Use Seal Kit #94-3661)	1
19	94-5438	Seal-Solenoid	8
*	75-2080	Kit-Seal	5

Ref. No.	Part No.	Description	No. Used
*	95-5641	Kit-Seal	1
*	75-2090	Kit-Seal	1
*	94-3661	Kit-Seal	1

\* Not Illustrated

† Not Serviced Separately

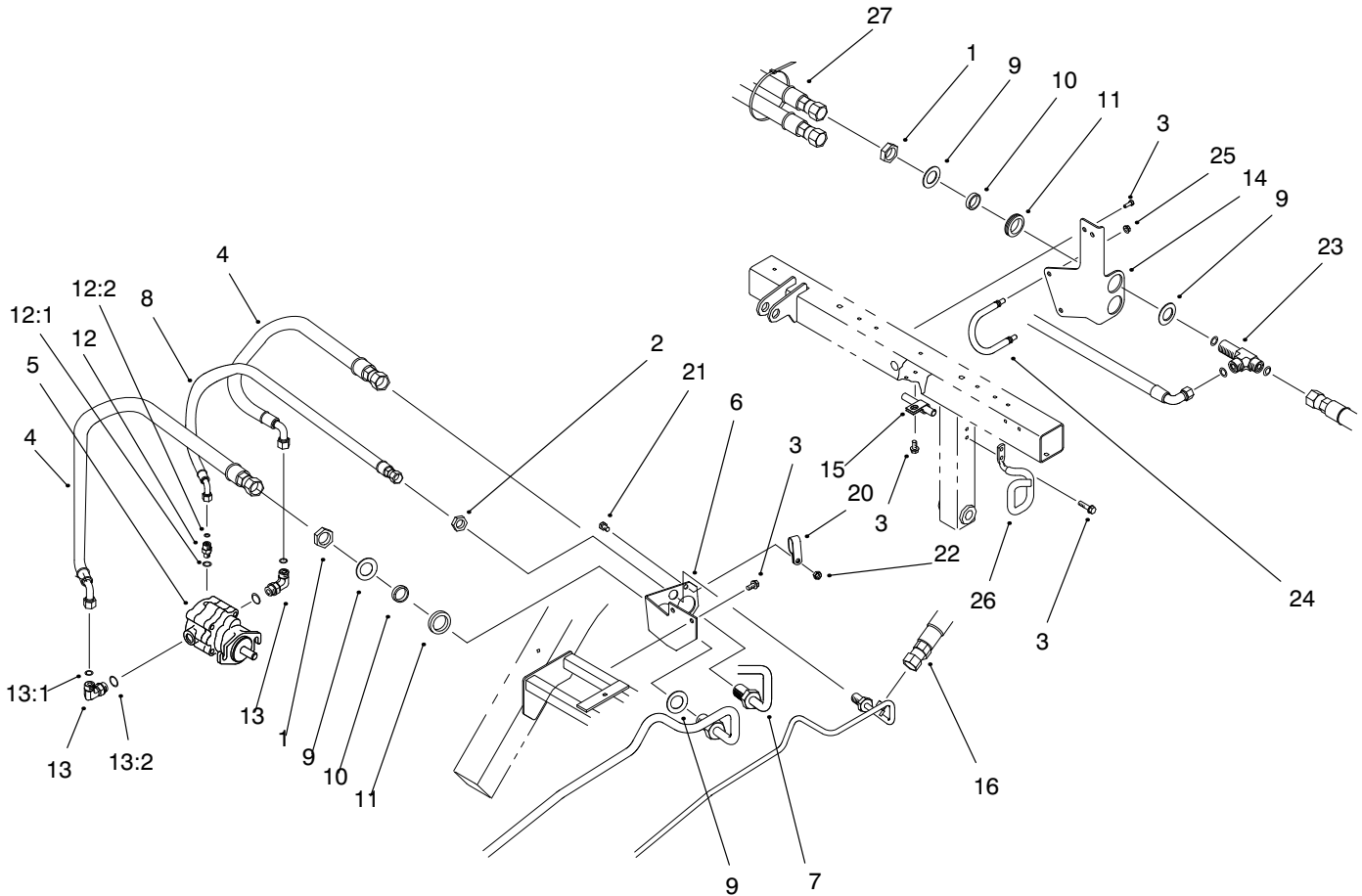


Sheet No.:17

## Front Bulkhead & Reel Motor Assembly

Ref. No.	Part No.	Qty.	Description
1	33113-050	2	Screw-HH
2	3256-1	2	Washer-Flat
3	93-2509	2	Clamp - Tube
4	33023-00	2	Nut-Lock NI
6	340-98	2	Fitting-90°
6:1	237-30	1	O-Ring
6:2	237-79	1	O-Ring
7		4	Fitting
7:1	237-78	2	O-Ring
7:2	237-21	2	O Ring
8	340-4	2	Adapter
8:1	237-30	1	O-Ring
8:2	237-79	1	O-Ring
10	340-74	2	Locknut-Bulkhead
11	69-9010	4	Washer
12	69-9000	2	Spacer
13	93-1375	2	Reel Motor
14	93-2264	2	Hose Assy - Hyd
15	95-2908	2	Hose ASM
16	340-2	1	Adapter
16:1	237-22	1	O-Ring
16:2	237-42	1	O-Ring
17	95-2909	2	Hose ASM
18	93-2238	1	T-Block
18:1	237-156	1	O-Ring
18:2	353-991	1	Plug-Hollow Hex

Ref. No.	Part No.	Qty.	Description
18:2:1	237-156	1	O-Ring
19	33113-008	1	Screw-HH
20	94-1318	1	Tube - Hydraulic
21	94-1319	1	Tube - Hydraulic
22	94-1320	1	Tube - Hydraulic
23	94-1321	1	Tube - Hydraulic
24	240-3	2	Rubber Grommet



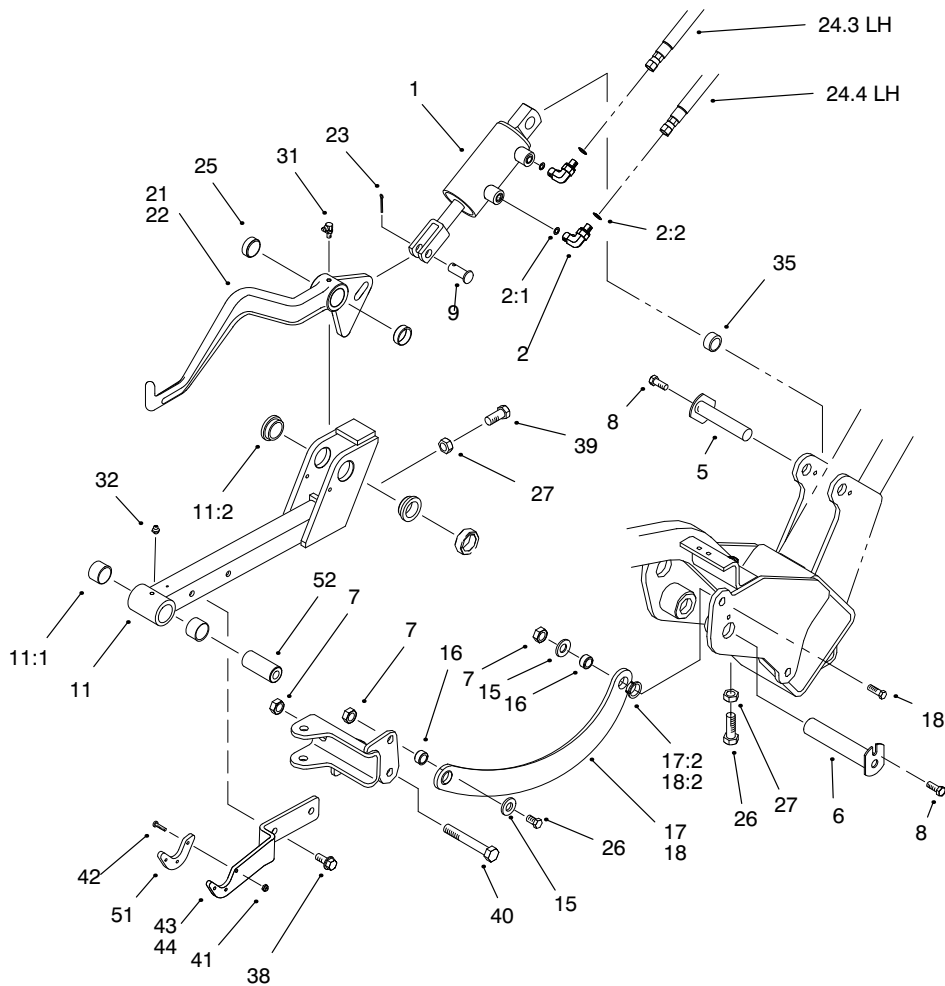
Sheet No.:18

## Rear Bulkhead & Reel Motor Assembly

Ref. No.	Part No.	Qty.	Description
1	340-74	4	Locknut-Bulkhead
2	340-70	1	Locknut-Bulkhead
3	32144-14	7	Screw-HWH
4	95-2907	2	Hose ASM
5	93-1375	1	Reel Motor
5:1	32151-41	1	Snap Ring
5:2	92-8864	1	Seal - Oil
5:3	353-590	1	Spacer
5:4	93-3614	1	Cover Assy
5:5	354-46	1	Seal Ring
5:6	74-3810	1	Plate - Load Assy
5:7	93-3615	1	Drive Shaft & Gear Assy
5:8	93-3616	1	Shaft & Gear Assy - Idler
5:9	354-50	4	Screw - Hex Socket Hd
5:10	354-51	4	Washer
5:11	353-599	2	Dowel Pin
5:12	92-8795	1	Body Assy
5:13	92-8796	2	Pin - Dowel
6	94-1316	1	Bracket - Bulkhead
7	94-1317	1	Tube - Hydraulic
8	94-1328	1	Hose ASM
9	69-9010	8	Washer
10	69-9000	4	Spacer

Ref. No.	Part No.	Qty.	Description
11	240-3	4	Rubber Grommet
12	340-92	1	Fitting
12:1	237-78	1	O-Ring
12:2	237-21	1	O Ring
13	340-98	2	Fitting-90°
13:1	237-30	1	O-Ring
13:2	237-79	1	O-Ring
14	99-4222-03	1	Bracket-Hose
15	2412-4	1	Clamp
16	94-4539	1	Hose ASM
20	2412-137	1	Clamp-Tube
21	33114-020	1	Screw-HH
22	33024-00	1	Nut-Lock NI
23	94-5350	2	Bulkhead Tee, Ors
24	99-4221	1	Retainer-Hose
25	3296-29	2	Nut-Lock
26	94-5352	1	Retainer - Hose
27	3290-378	1	Tie-Cable



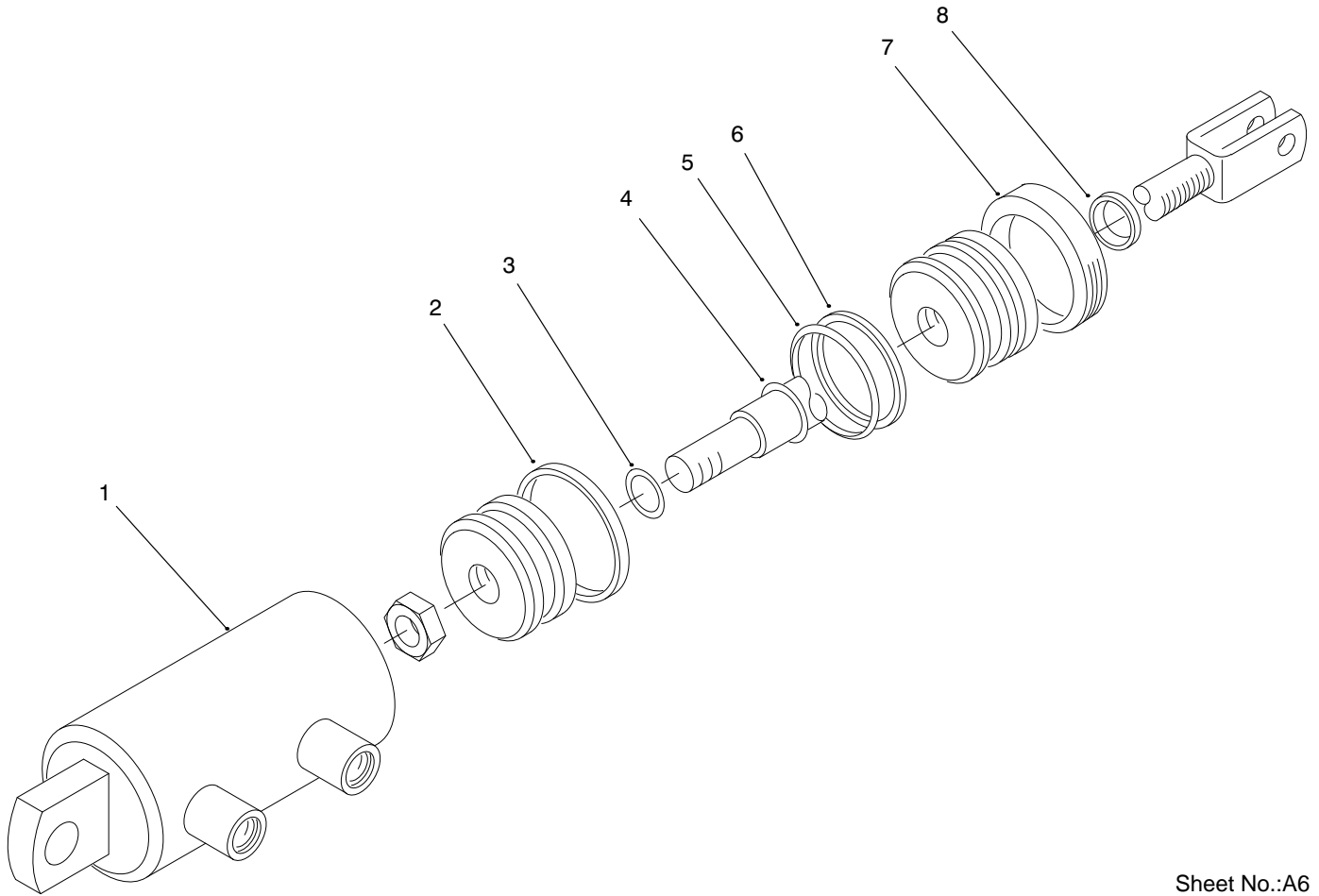


Sheet No.:19

### Lift Arm Assembly-L.H. & R.H. Right Arm Shown

Ref. No.	Part No.	Qty.	Description
1	99-8158	2	Hydraulic Cyl ASM
2	340-132	4	90 Elbow
2:1	237-78	1	O-Ring
2:2	237-21	1	O Ring
3	93-2255	1	Hose Assy - Hyd
4	93-2256	1	Hose Assy - Hyd
5	10-6060	2	Pin-Pivot, Ram
6	94-8198	2	Pin Wa
7	3296-25	6	Nut-Lock NI
8	32144-14	4	Screw-HWH
9	283-8	2	Pin-Clevis
10	94-9610	4	Bushing - Flange
11	99-4115	2	Front Lift Frame ASM w/Bushings
11:1	98-4166	2	Bushing
11:2	94-9610	2	Bushing - Flange
15	3256-26	4	Washer-Flat
16	99-4201	4	Tube-Spacer
17	99-4258	1	Link Bracket ASM
17:2	99-4243	2	Bushing-Flange w/Bsg R.H.
*18	99-4260	1	Link Bracket ASM w/Bsg L.H.
*18:2	99-4243	2	Bushing-Flange
21	99-4213	1	Lift Arm-RH ASM w/Bushing

Ref. No.	Part No.	Qty.	Description
21:2	92-8995	2	Bushing
22	99-4212	1	Lift Arm-LH ASM w/Bushing
22:2	92-8995	2	Bushing
23	3272-11	2	Pin-Cotter
24	93-2254	2	Hose Assy - Hyd
26	325-6	5	Screw-HH
27	3218-5	3	Nut-Jam
28	93-2384	2	Spacer - Carrier
31	302-60	2	Fitting-Lube
34	302-5	2	Fitting-Lube
35	74-3730	2	Spacer - Rear Spindle
38	32144-69	4	Hex Screw
39	325-4	2	Screw-HH
40	325-14	2	Screw-HH
41	3296-54	6	Nut-Lock NI
42	3250-17	6	Screw-PPH
43	99-4111-01	1	Plate-Transport (#1 & #3)
44	99-4112-01	1	Plate-Transport (#2)
51	99-4225	2	Pad-Wear
52	99-4072	2	Spacer-Pull Frame

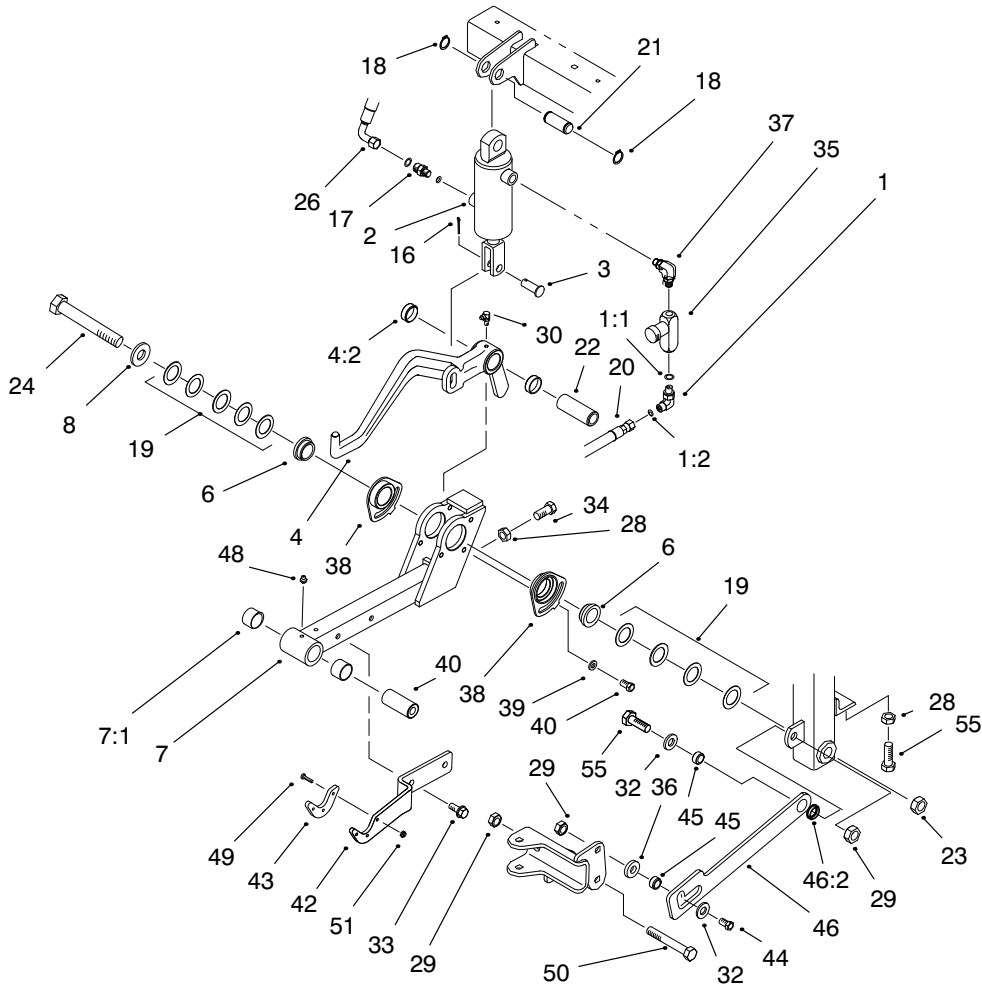


Sheet No.:A6  
T-2299-1

## Hydraulic Cylinder Assembly No. 99-8158

Ref. No.	Part No.	Qty.	Description
1	99-8163	1	Kit - Seal Repair

Ref. No.	Part No.	Qty.	Description

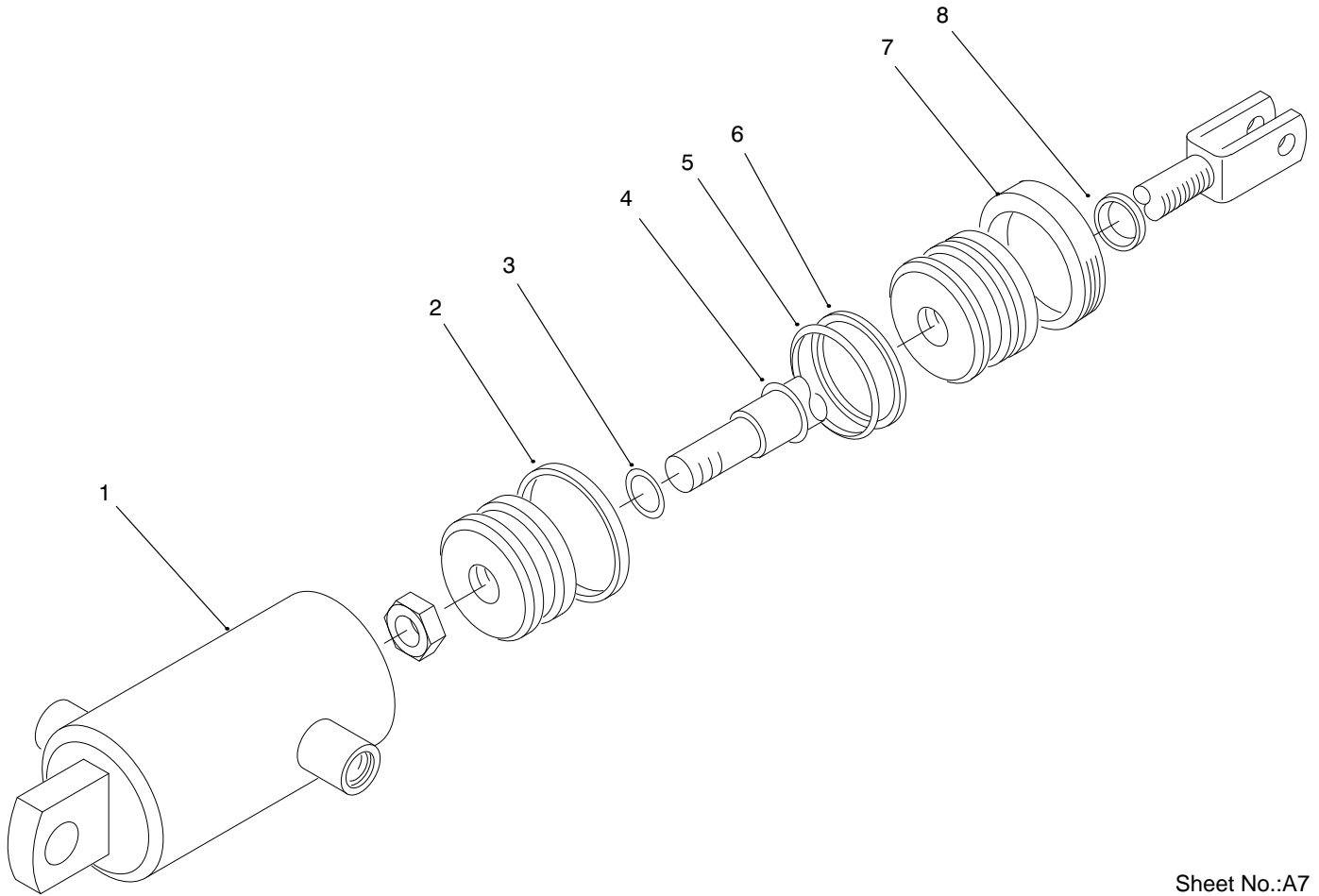


Sheet No.:20

## Lift Arm Assembly – Center

Ref. No.	Part No.	Qty.	Description
1	340-132	1	90 Elbow
1:1	237-78	1	O-Ring
1:2	237-21	1	O Ring
2	99-8157	1	Hydraulic Cyl ASM
3	283-8	1	Pin-Clevis
4	99-4126	1	Lift Arm-Center ASM w/Bushings
4:2	92-8995	2	Bushing
6	98-2197	2	Bushing – Flange
7	99-4116	1	Lift Frame ASM Rear w/Bushings
7:1	98-4166	2	Bushing
8	69-8940	1	Washer
16	3272-11	1	Pin-Cotter
17	95-1639	1	Fitting – Orificed
18	32120-72	2	Ring-Snap
19	63-2290	9	Washer-Thrust
20	93-2258	1	Hose Assy – Hyd
21	94-3452	1	Pin
22	94-8199	1	Tube – Pivot
23	3296-53	1	Nut-Lock NI
24	327-19	1	Screw-HH
26	94-3477	1	Hose Assy – Hyd
28	3218-5	2	Nut-Jam
29	3296-25	3	Nut-Lock NI
30	302-60	1	Fitting-Lube

Ref. No.	Part No.	Qty.	Description
32	3256-26	2	Washer-Flat
33	32144-69	2	Hex Screw
34	325-5	1	Screw-HH
35	93-7489	1	Orifice Valve Assy
36	99-4248	1	Spacer
37	95-2927	1	Fitting – Elbow
38	98-4618	2	Bushing-Eccentric
39	3256-74	2	Washer-Flat
40	33114-016	2	Screw-HH
41	99-4072	1	Spacer-Pull Frame
42	99-4111-01	1	Plate-Transport (#1 & #3)
43	99-4225	1	Pad-Wear
44	325-7	1	Screw-HH
45	99-4201	2	Tube-Spacer
46	99-4246	1	Link Bracket ASM w/Bsg
46:2	99-4243	1	Bushing-Flange
48	302-5	1	Fitting-Lube
49	3250-17	3	Screw-PPH
50	325-14	1	Screw-HH
51	3296-54	3	Nut-Lock NI
55	325-6	2	Screw-HH



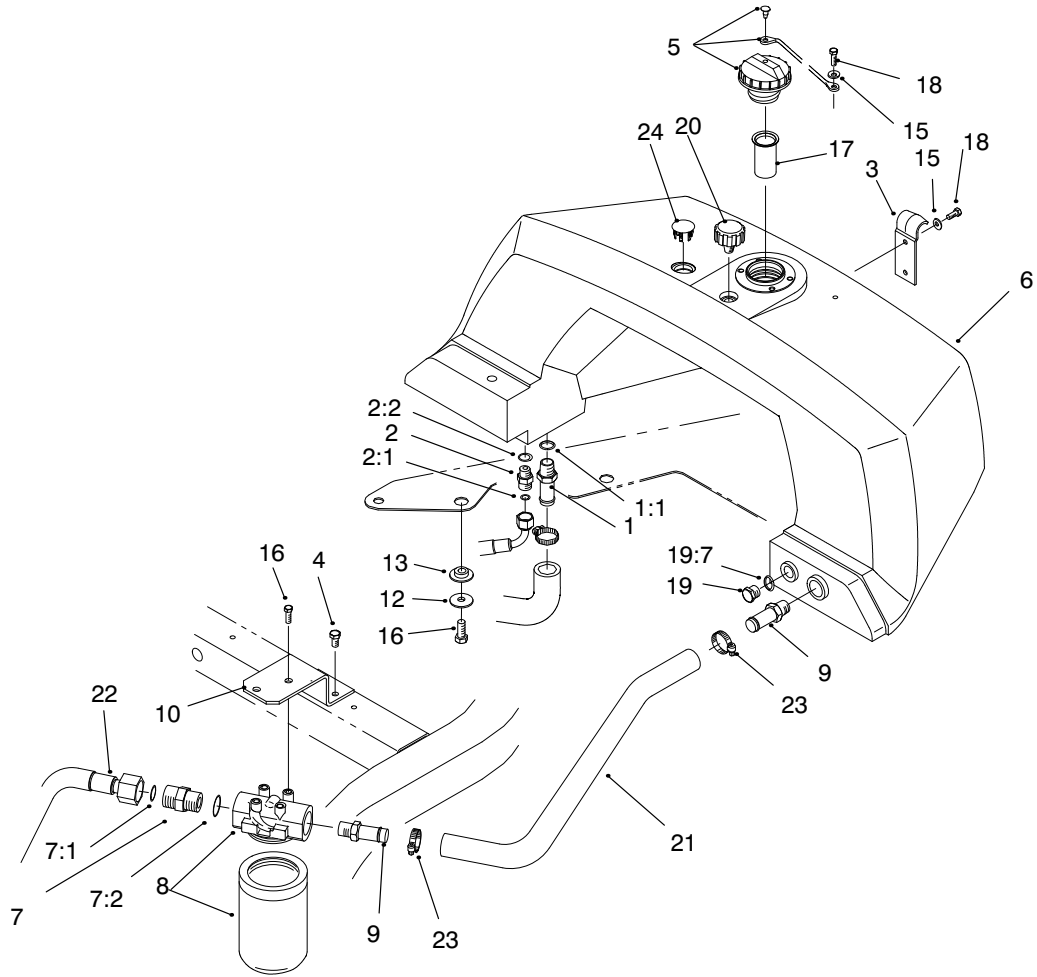
Sheet No.:A7  
T-2358-1

## Hydraulic Cylinder No. 99-8157

Ref. No.	Part No.	Qty.	Description
1	99-8163	1	Kit – Seal Repair

Ref. No.	Part No.	Qty.	Description





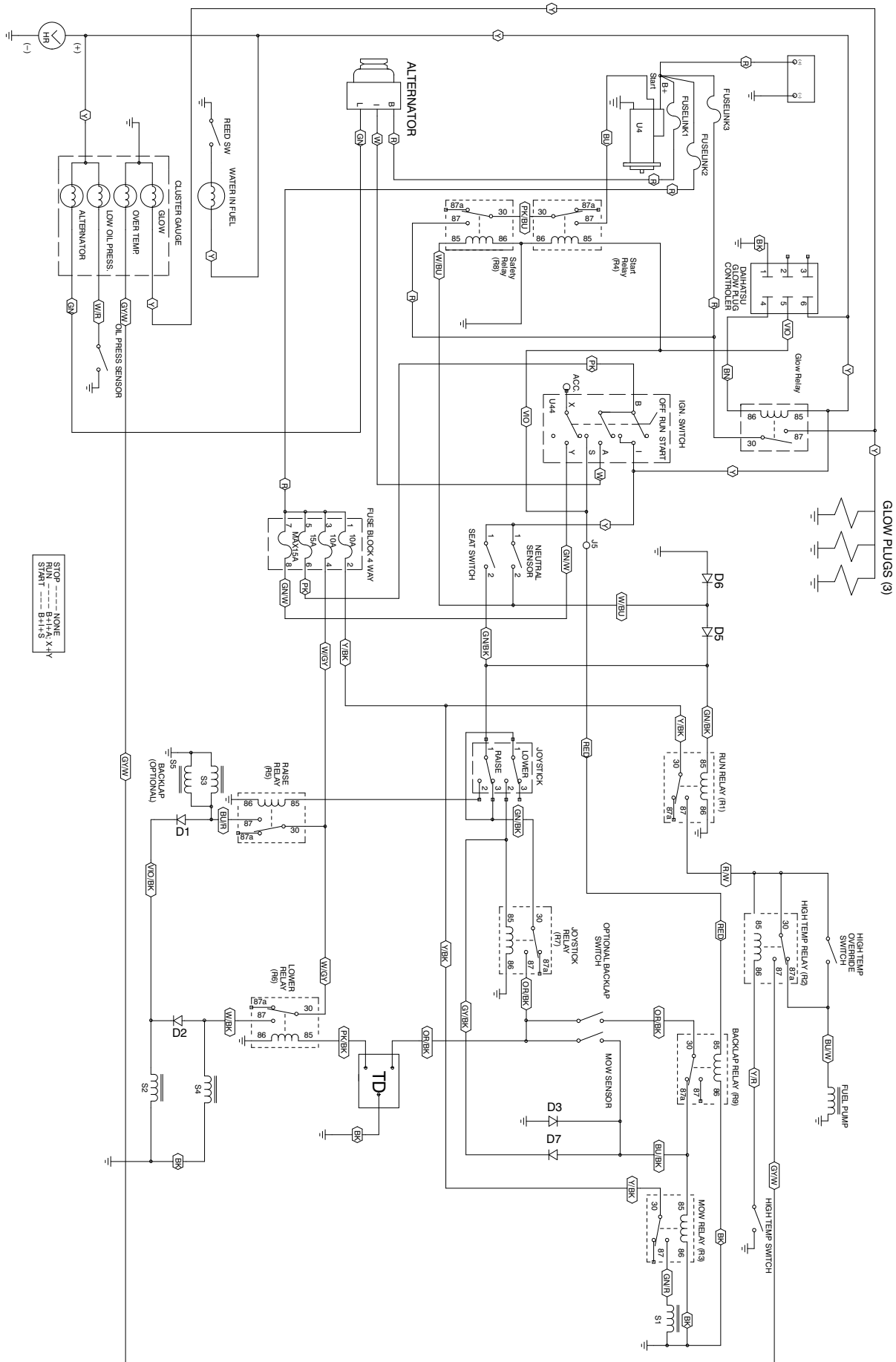
Sheet No.:22

## Hydraulic Tank & Filter Assembly

Ref. No.	Part No.	Qty.	Description
1	354-78	1	Connector-Hose
1:1	237-146	1	O-Ring
2	340-2	2	Adapter
2:1	237-22	2	O-Ring
2:2	237-42	2	O-Ring
3	93-2438	1	Clamp - Fuel Tank
4	32144-14	2	Screw-HWH
5	93-7160	1	Cap - Hyd Oil
6	93-2235	1	Tank-Hydraulic
7	340-9	1	Fitting-Straight
7:1	237-58	1	O-Ring
7:2	237-81	1	O-Ring
8	93-2242	1	Filter Assy - Oil
9	354-73	1	Fitting
10	93-2236-03	1	Mount - Oil Filter
12	93-4637	4	Washer - Flat
13	240-11	4	Grommet
15	3256-1	3	Washer-Flat
16	33115-020	4	Screw-HH
17	93-2275	1	Screen - Filler
18	33113-016	3	Screw-HH
19	353-988	1	Plug-Hex, Hollow
19:7	237-79	1	O-Ring
20	68-6150	1	Breather-Air
21	94-9607	1	Hose - Return
22	94-4518	1	Tube ASM

Ref. No.	Part No.	Qty.	Description
23	2412-129	1	Clamp-Hose
24	93-2437	1	Plug - Serrated

# Electrical Schematic

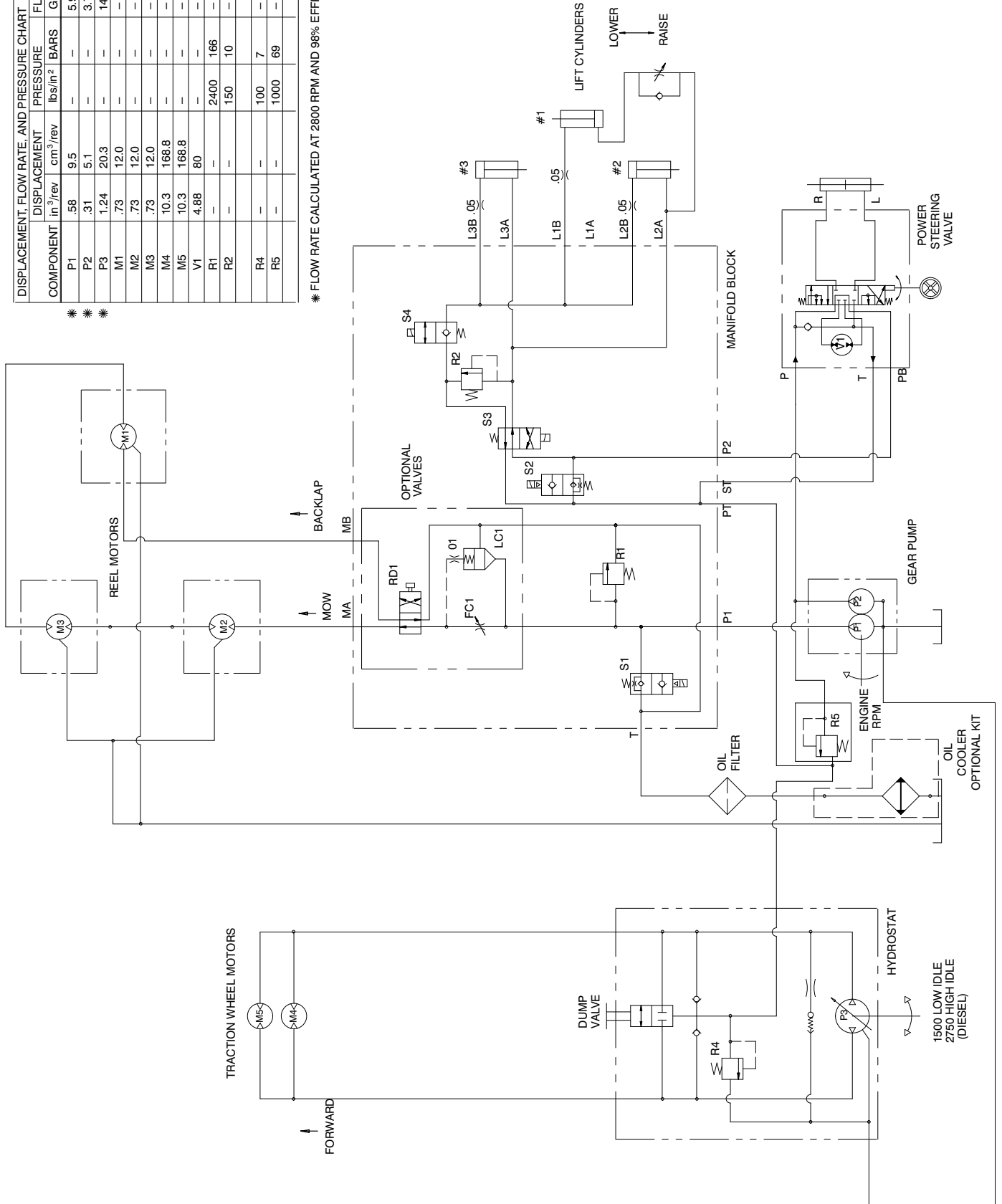


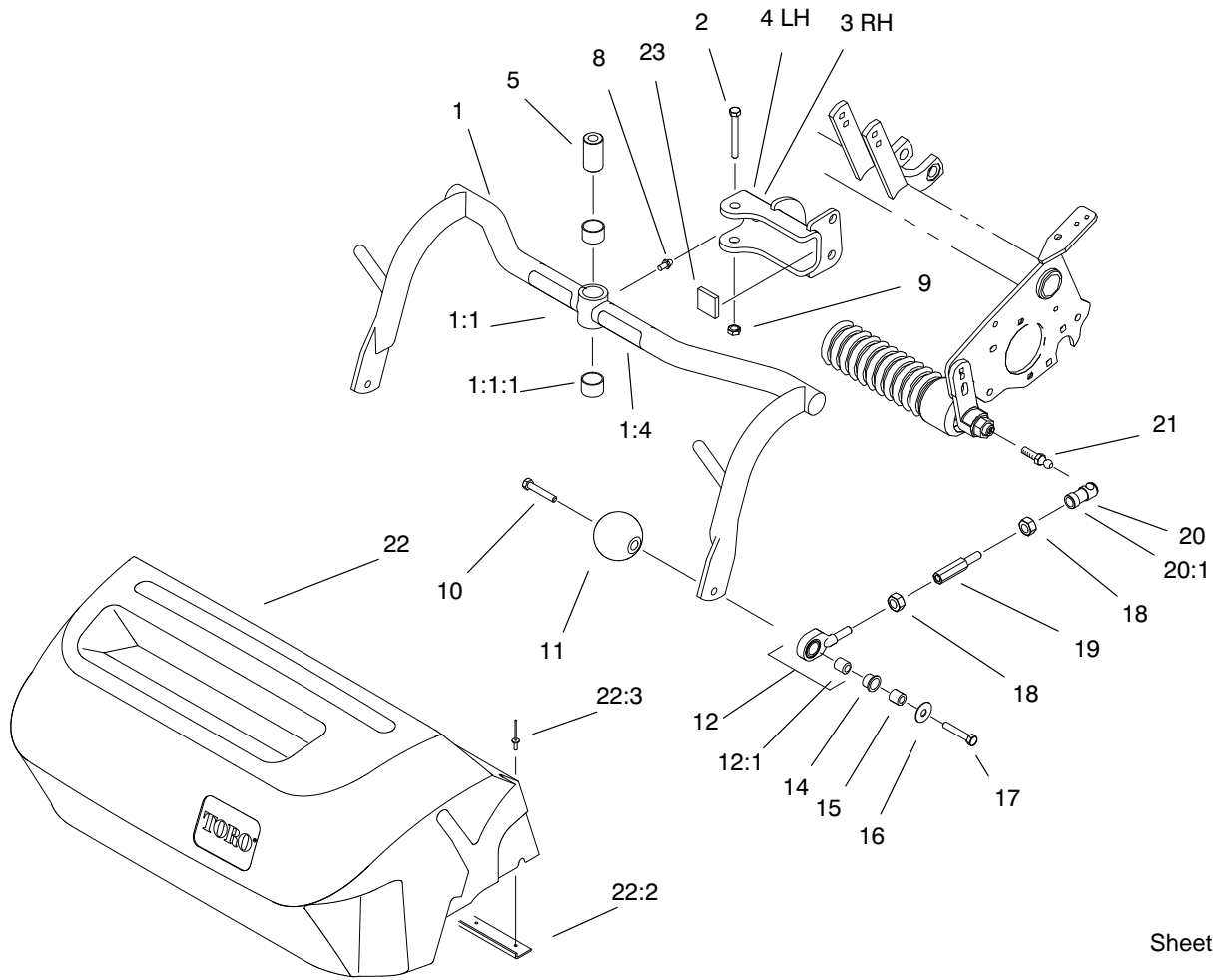
# Hydraulic Schematic

DISPLACEMENT, FLOW RATE, AND PRESSURE CHART			
COMPONENT	DISPLACEMENT	PRESSURE	FLOW RATE
	in <sup>3</sup> /rev	lbs/in <sup>2</sup>   BARS	GPM   LPM
P1	.58	—	5.9   22.4
P2	.31	—	3.7   13.9
P3	1.24	—	14.8   55.8
M1	.73	—	—
M2	.73	—	—
M3	.73	—	—
M4	10.3	—	—
M5	10.3	—	—
V1	4.88	—	—
R1	—	2400	166
R2	—	150	10
R4	—	100	7
R5	—	1000	69

\* \* \*

\* FLOW RATE CALCULATED AT 2800 RPM AND 98% EFFICIENCY





Sheet No.:30

### Pull Frame Assembly

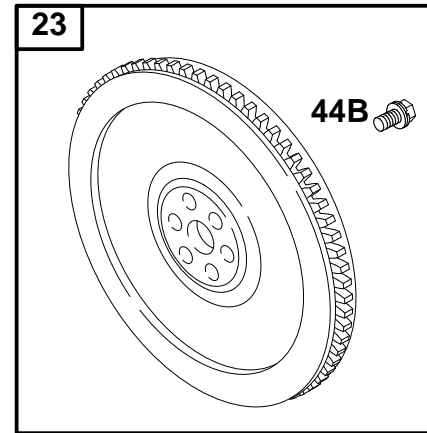
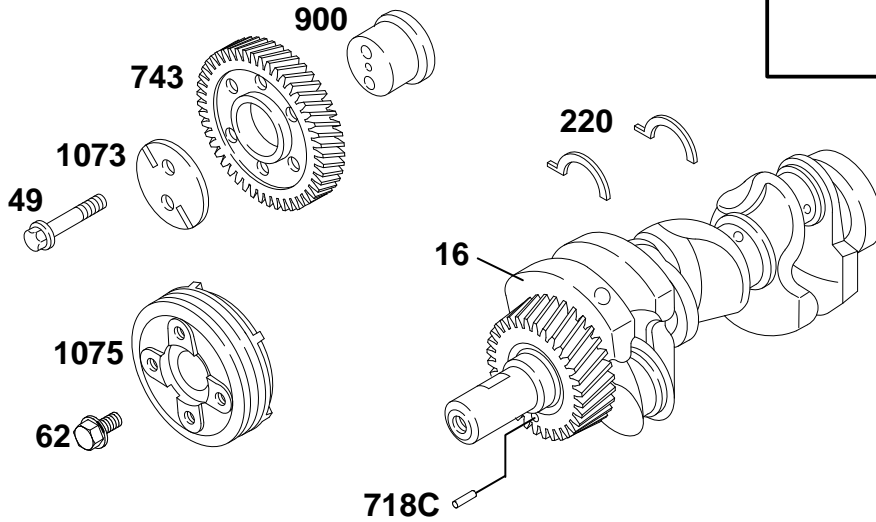
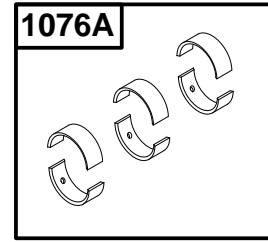
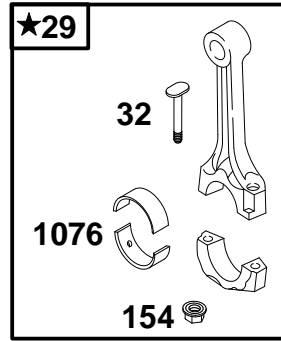
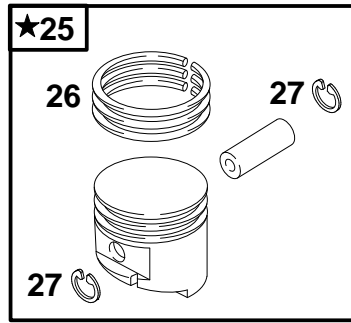
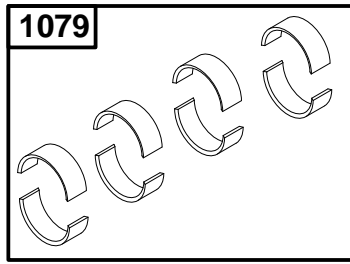
Ref. No.	Part No.	Qty.	Description
1	99-4114	3	Pull Frame ASM
☆1:1		1	Pull Frame ASM W / Bushings
1:1:1	98-4166	2	Bushing
1:3	94-2575	1	Decal-Adjustment
1:4	99-4118	1	Decal-Danger
2	325-13	3	Screw-HH
3	99-4183-01	2	Clevis ASM RH
4	99-4182-01	1	Clevis ASM LH
5	99-4109	3	Spacer-Pivot
8	302-5	3	Fitting-Lube
9	3296-25	3	Nut-Lock NI
10	99-4209	6	Shaft-Roller
11	99-4210	6	Roller-Anti Scalp
12	17-2889	6	Pull Link & Bushing ASM
12:1	95-0532	1	Rubber Bushing ASM
14	256-292	6	Bushing-Flange, Nylon
15	75-5270	6	Spacer-Seat Knob
16	80-6990	6	Washer
17	323-8	6	Screw-HH
18	3220-3	12	Nut-Jam
19	88-6870	6	Extension-Pull Arm
20	99-1460	6	Ball Joint Receiver ASM

Ref. No.	Part No.	Qty.	Description
20:1	99-1461	1	Sleeve - Ball Joint
21	94-2958	6	Ball Stud
22	99-4105	3	Basket ASM
22:2	99-4102	1	Strip-Basket
22:3	3290-382	8	Pop Rivet
23	99-4145	3	Pad-rubber

☆ Not serviced



★ REQUIRES SPECIAL TOOLS TO INSTALL. SEE REPAIR INSTRUCTION MANUAL.



Sheet No.:4  
T-xxxx

## 522447-0107-E2 TORO DIESEL

Ref. No.	Part No.	Qty.	Description
1073	99-9040	1	Plate-Idler Gear
1075	99-9692	1	Pully-Crankshaft
∇1076	99-9042	1	Bearing-Rod
∇1076A	99-9043	3	Bearing Set-Rod
∇1076A	99-9044	3	Bearing Set-Rod, .010 Undersize
∇1079	99-9045	1	Bearing Set-Main
∇1079	99-9046	1	Bearing Set-Main, .010 Under
154	99-9034	6	Nut-Hex
∇16	99-9252	1	Crankshaft
∇220	99-9035	1	Washer-Thrust
∇220	99-9036	1	Washer-Thrust .005" Oversize
∇23	99-9267	1	Flywheel
∇25	99-9605	3	Piston Assembly
∇25	99-9268	3	Piston ASM
∇26	99-9606	3	Ring Set
∇26	99-9269	3	Ring Set
27	99-9607	6	Lock-Piston Pin
∇29	99-9608	3	Rod-Connecting
∇32	99-9030	6	Screw-Connecting Rod
44B	99-9031	6	Screw-10mm Hex
49	99-9032	2	Screw-8mm Hex
62	99-9033	1	Screw-Hex

Ref. No.	Part No.	Qty.	Description
718C	99-9037	1	Pin-Locating
∇743	99-9609	1	Gear-Drive
∇900	99-9039	1	Shaft-Gear

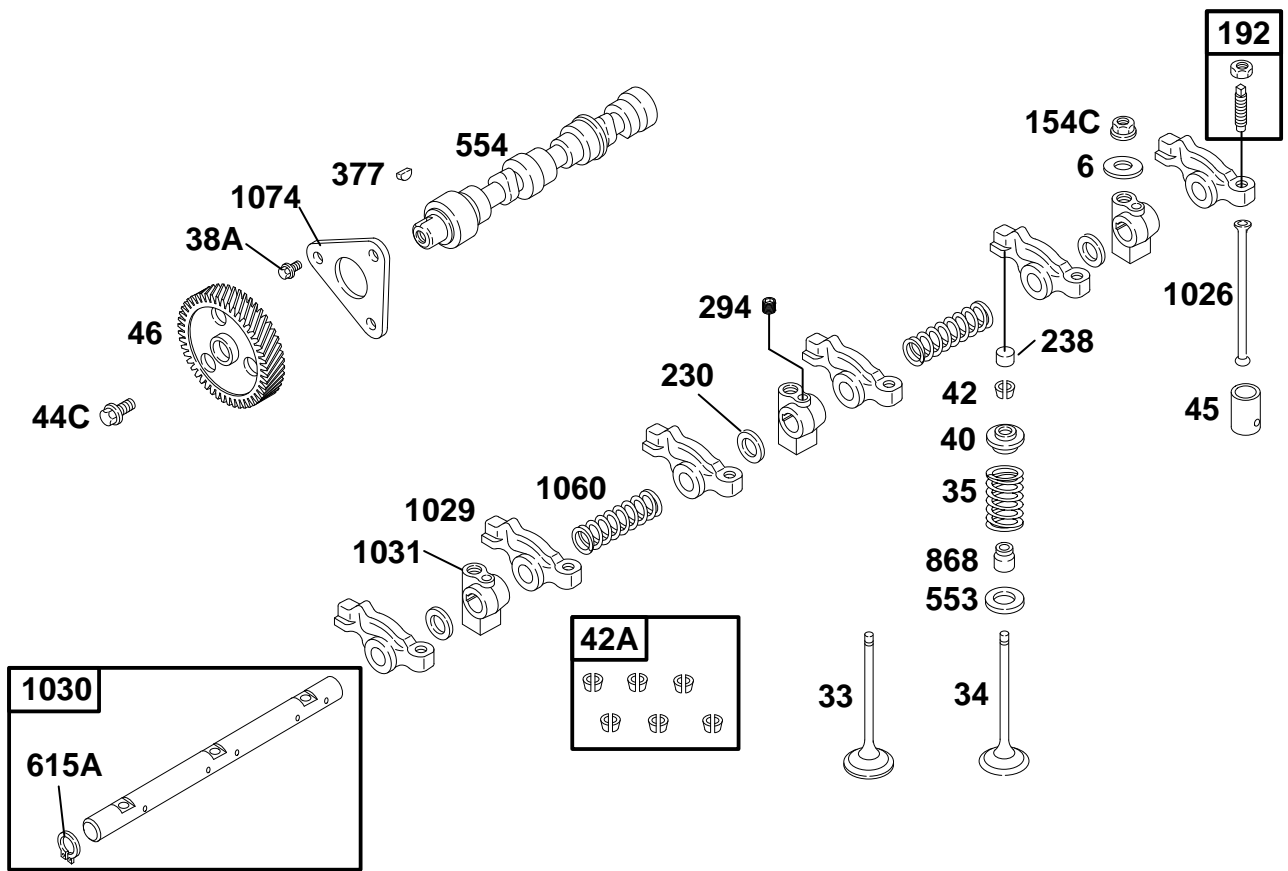
∇ Refer To Repair Manual MS 1055 For Assembly and/or Torque Requirements.

★ Included in Gasket Set - Part Number 99-9667

△ Included in Valve Overhaul Kit - Part Number 99-9668







Sheet No.:7  
T-xxxx

## 522447-0107-E2 TORO DIESEL

Ref. No.	Part No.	Qty.	Description
06	99-9079	3	Washer-Flat
1026	99-9103	6	Rod-Push
∇1029	99-9104	1	Arm-Rocker
∇1030	99-9106	1	Shaft-Rocker Arm
∇1031	99-9107	3	Support-Rocker Arm
∇1060	99-9108	2	Spring-Rocker Shaft
1074	99-9109	1	Retainer-Camshaft
154C	99-9091	3	Nut-Metric Hex
192	99-9092	6	Adjuster-Rocker Arm
∇230	99-9093	3	Washer-Spacer
238	99-9094	6	Cap-Valve
294	99-9090	1	Screw-Metric
33	99-9638	3	Valve-Exhaust
34	99-9639	3	Valve-Intake
35	99-9640	6	Spring-Valve
377	99-9642	1	Key-Timing
38A	99-9083	3	Screw-6mm Hex
40	99-9084	6	Retainer-Valve
42	99-9086	1	Keeper-Valve
42A	99-9087	6	Keeper-Valve (Set Of 6)
44C	99-9085	1	Screw-Metric
45	99-9088	6	Tappet-Valve
∇46	99-9641	1	Gear-Cam
553	99-9096	6	Seat-Valve Spring
554	99-9097	1	Shaft-Cam

Ref. No.	Part No.	Qty.	Description
615A	99-9099	2	Retainer
★Δ868	99-9643	6	Seal-Valve

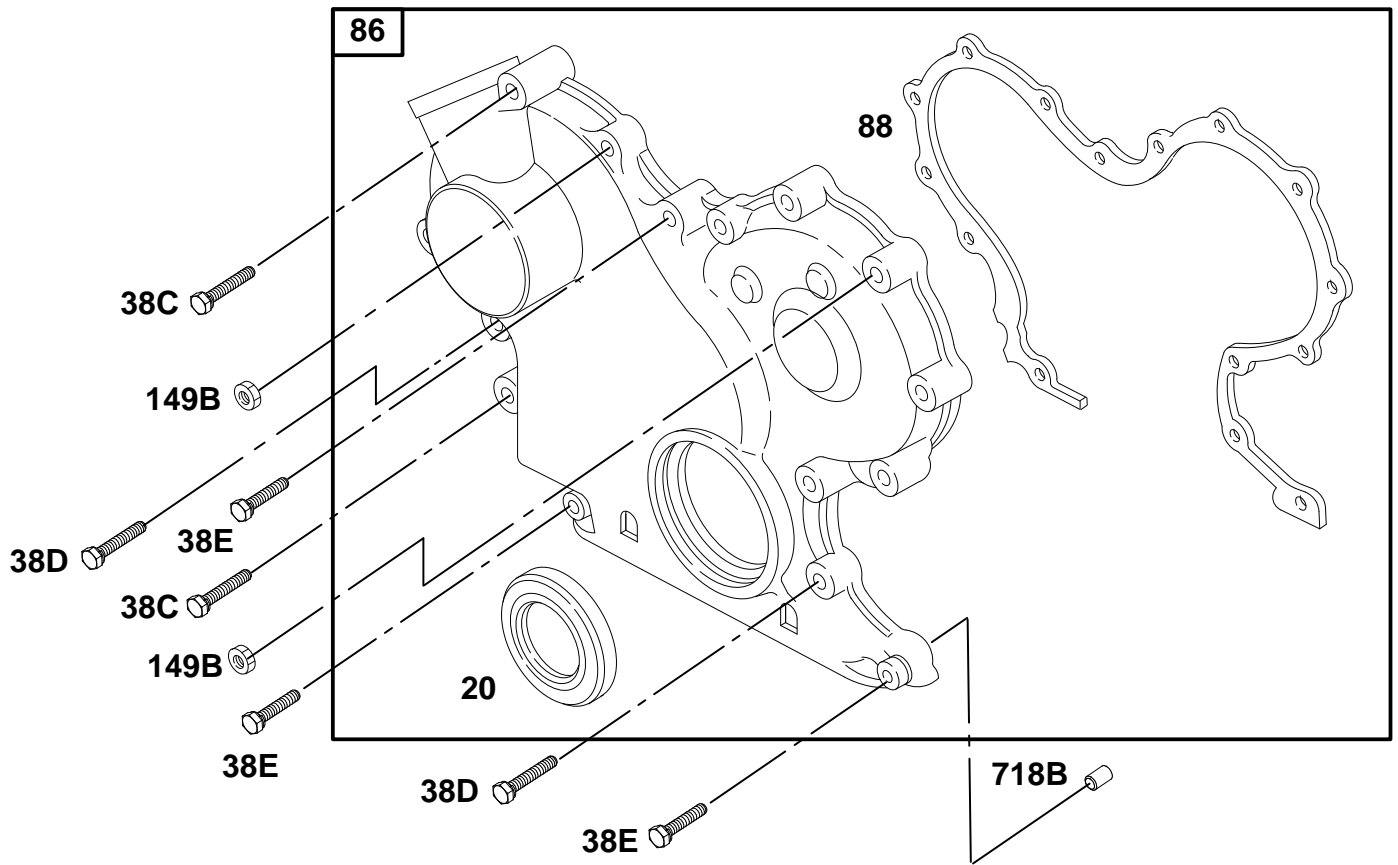
∇ Refer To Repair Manual MS 1055 For Assembly and/or Torque Requirements.

★ Included in Gasket Set - Part Number 99-9667

Δ Included in Valve Overhaul Kit - Part Number 99-9668

**Assemblies include all parts shown in frames.**





Sheet No.:9  
T-xxxx

## 522447-0107-E2 TORO DIESEL

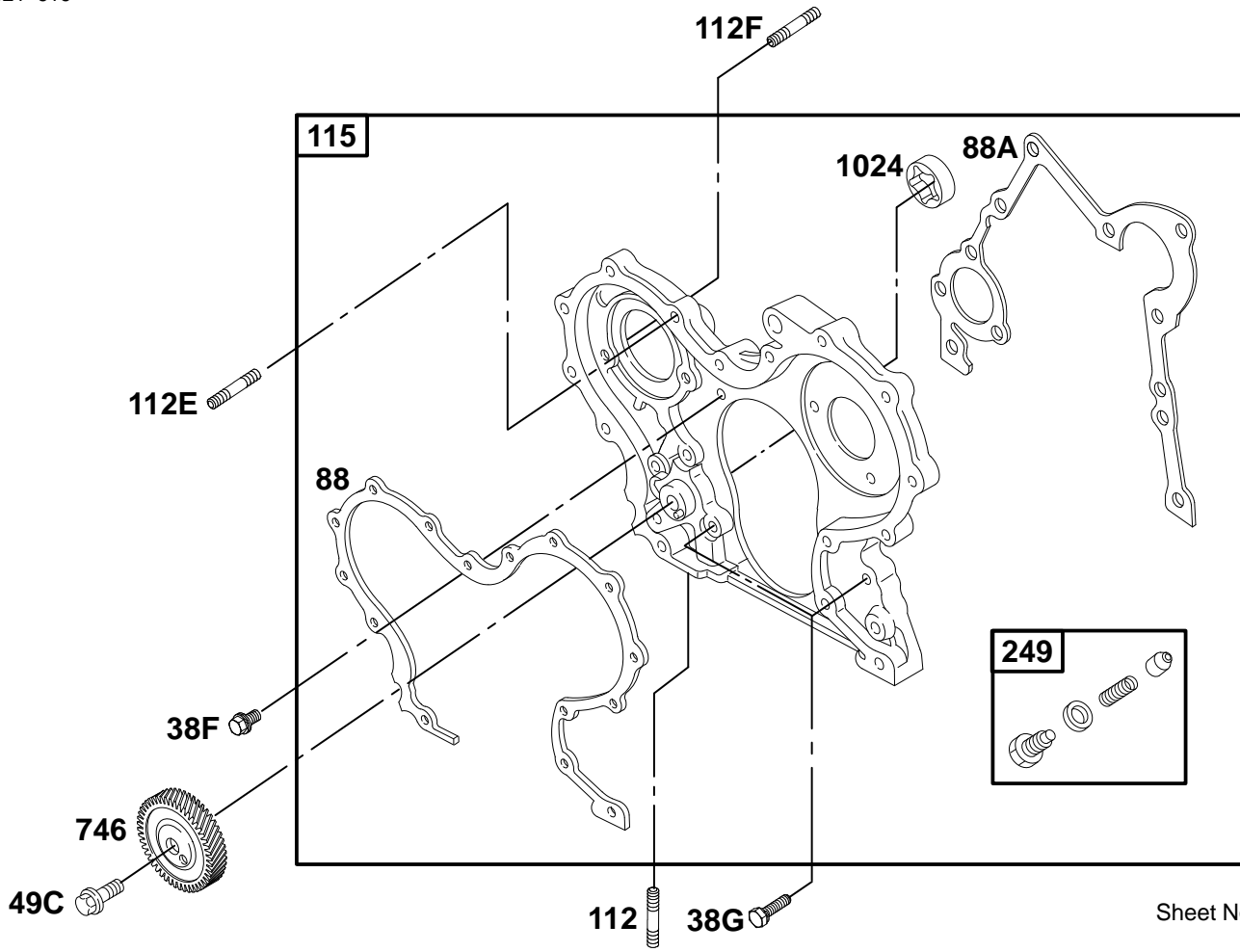
Ref. No.	Part No.	Qty.	Description	Ref. No.	Part No.	Qty.	Description
149B	99-9114	2	Nut-Metric Hex				
★20	99-9126	1	Seal-Oil				
38C	99-9651	2	Screw-6mm Hex				
38D	99-9128	9	Screw-6mm Hex				
38E	99-9129	3	Screw-6mm Hex				
718B	99-9014	1	Pin-Locating				
▽86	99-9652	1	Cover-Assembly-Gear				
★88	99-9653	1	Gasket-Gear Cover				

▽ Refer To Repair Manual MS 1055 For Assembly and/or Torque Requirements.

★ Included in Gasket Set – Part Number 99-9667

△ Included in Valve Overhaul Kit – Part Number 99-9668

**Assemblies include all parts shown in frames.**



Sheet No.:10  
T-xxxx

## 522447-0107-E2 TORO DIESEL

Ref. No.	Part No.	Qty.	Description
112	99-9007	1	Stud-Metric
112E	99-9137	2	Stud-Metric
112F	99-9654	2	Stud-Metric
∇115	99-9655	1	Housing-Gear
∇249	99-9142	1	Valve-Oil Relief
38F	99-9134	1	Screw-6mm Hex
38G	99-9133	4	Screw-6mm Hex
49C	99-9135	1	Screw-8mm Hex
∇746	99-9656	1	Gear-Drive
★88	99-9653	1	Gasket-Gear Cover
★88A	99-9136	1	Gasket-Gear Cover
1024			Gear-Drive Pump-Oil (Sold in Gear Housing Only, Ref. 115)

Ref. No.	Part No.	Qty.	Description

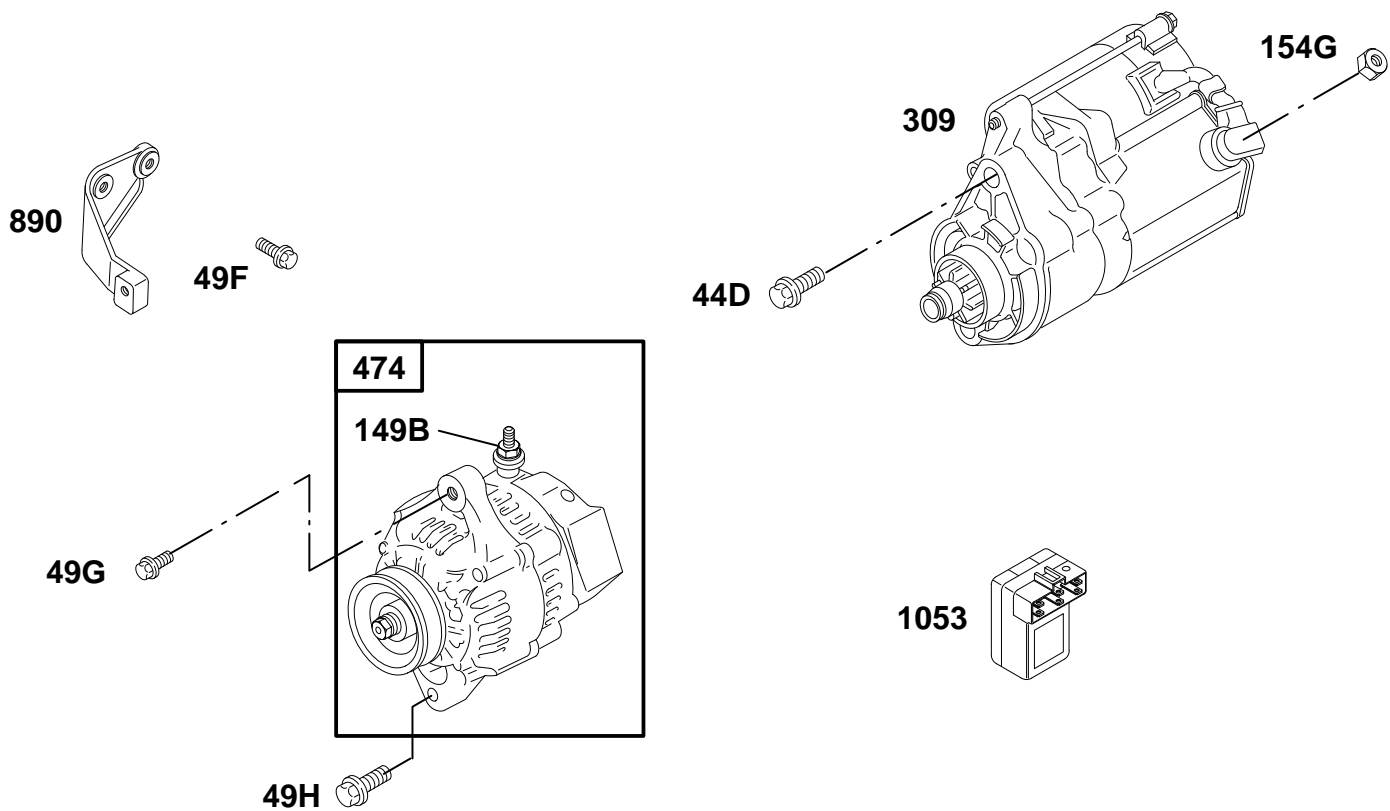
∇ Refer To Repair Manual MS 1055 For Assembly and/or Torque Requirements.

★ Included in Gasket Set – Part Number 99-9667

Δ Included in Valve Overhaul Kit – Part Number 99-9668







Sheet No.:13  
T-xxxx

## 522447-0107-E2 TORO DIESEL

Ref. No.	Part No.	Qty.	Description
1053	99-9666	1	Module
149B	99-9114	1	Nut-Metric Hex
154G	99-9206	1	Nut-Metric Hex
▽309	99-9693	1	Motor-Starter
44D	99-9201	2	Screw-10mm Hex
474	99-9209	1	Alternator

Ref. No.	Part No.	Qty.	Description

▽ Refer To Repair Manual MS 1055 For Assembly and/or Torque Requirements.

★ Included in Gasket Set – Part Number 99-9667

△ Included in Valve Overhaul Kit – Part Number 99-9668

**Assemblies include all parts shown in frames.**





