



Z-Master™

**250 Series Z255  
with 72" Side  
Discharge Mower**

Model No. 74205 – 990001 & Up

---

**Parts Catalog**

## ORDERING REPLACEMENT PARTS

To order replacement parts, please supply: the part number, the quantity, and the description of each part desired.

## Contents

Description	Page	Description	Page
Front Frame Assembly .....	1	Shields And Clutch Assembly .....	9
Caster And Wheel Assembly .....	2	Idler Assembly .....	10
Rear Frame And Wheel Assembly .....	3	Electrical System Assembly .....	11
Brake And Wheel Hub Assembly .....	4	Frame And Deck Assembly .....	12
Control Panel Assembly .....	5	Cover And Rollers Assembly .....	13
Hydraulic System Assembly .....	6	Deflector, Spindle And Pulley Assembly .....	14
Hydraulic System Assembly (Continued) .....	7	Baffle And Belt Assembly .....	15
Tank And Fuel Lines Assembly .....	8		

## Part Description Abbreviations

Part descriptions in this catalog may include the following abbreviations.

Abbreviation	Meaning	Abbreviation	Meaning
AR .....	as required	HWHTF .....	hex washer head thread forming
ASM .....	assembly	INC .....	incorporated
CARR .....	carriage	LH .....	left hand
DEG .....	degrees	PH .....	pan head
FH .....	flat head	PPH .....	Phillips pan head
GA .....	gauge	PTO .....	power take off
HF .....	hex flange	RH .....	right hand
HFW .....	hex flange washer	SFH .....	slotted fillister head
HH .....	hex head	SH .....	square head
HHF .....	hex head flange	SHWH .....	slotted hex washer head
HHST .....	hex head self tapping	SPH .....	slotted pan head
HJ .....	hex jam	STD .....	standard
HOC .....	height-of-cut	TAP .....	self tapping
HS .....	hex socket	TH .....	truss head
HSBH .....	hex socket button head	TTH .....	Torx truss head
HSFH .....	hex socket flat head	WH .....	wing head
HSH .....	hex socket head		
HWH .....	hex washer head		

## Important Format Explanations

This catalog uses special formats to convey information in illustrations and parts lists. Specifically, one format is used in conjunction with service assemblies and another with quantities associated with reference numbers.

### Service Assemblies

Parts within service assemblies have reference numbers in the form X:Y. X is the reference number of the service assembly and Y is a sequential number unique to each part within the service assembly.

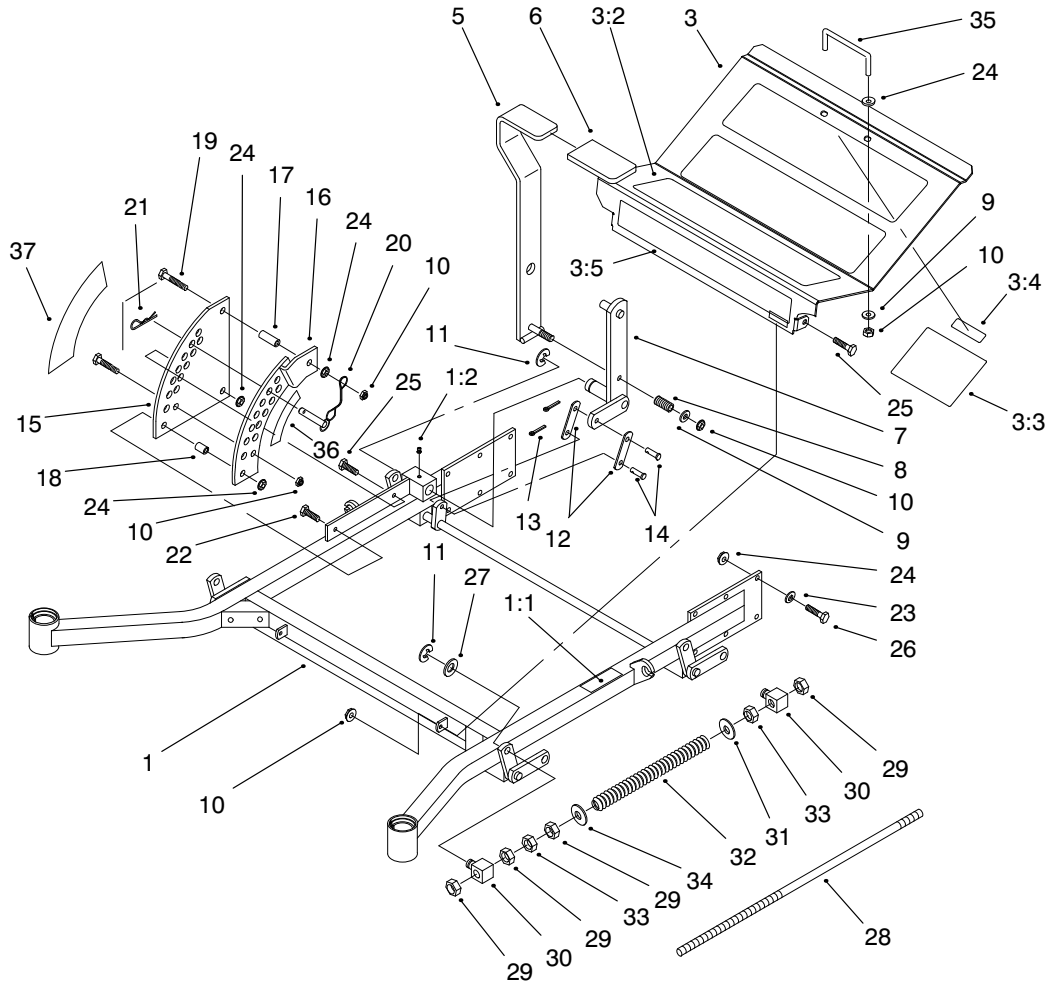
For example, a wheel assembly might be identified by reference number 6, the tire by 6:1, the valve by 6:2, and the wheel by 6:3. When you order the assembly identified by reference number 6, you receive all parts identified by reference numbers 6:1, 6:2, and 6:3. However, you may also order any part individually.

Reference numbers of this type appear in part lists and as callouts in illustrations.

## **Reference Numbers with Quantities**

Illustrations may have a quantity in parentheses next to a reference number, in the form  $X (Y)$ .  $X$  is the reference number.  $Y$  in parentheses is the quantity of the part identified by the reference number.

For example, the illustration callout 4 (2) indicates that two parts are used in that instance.



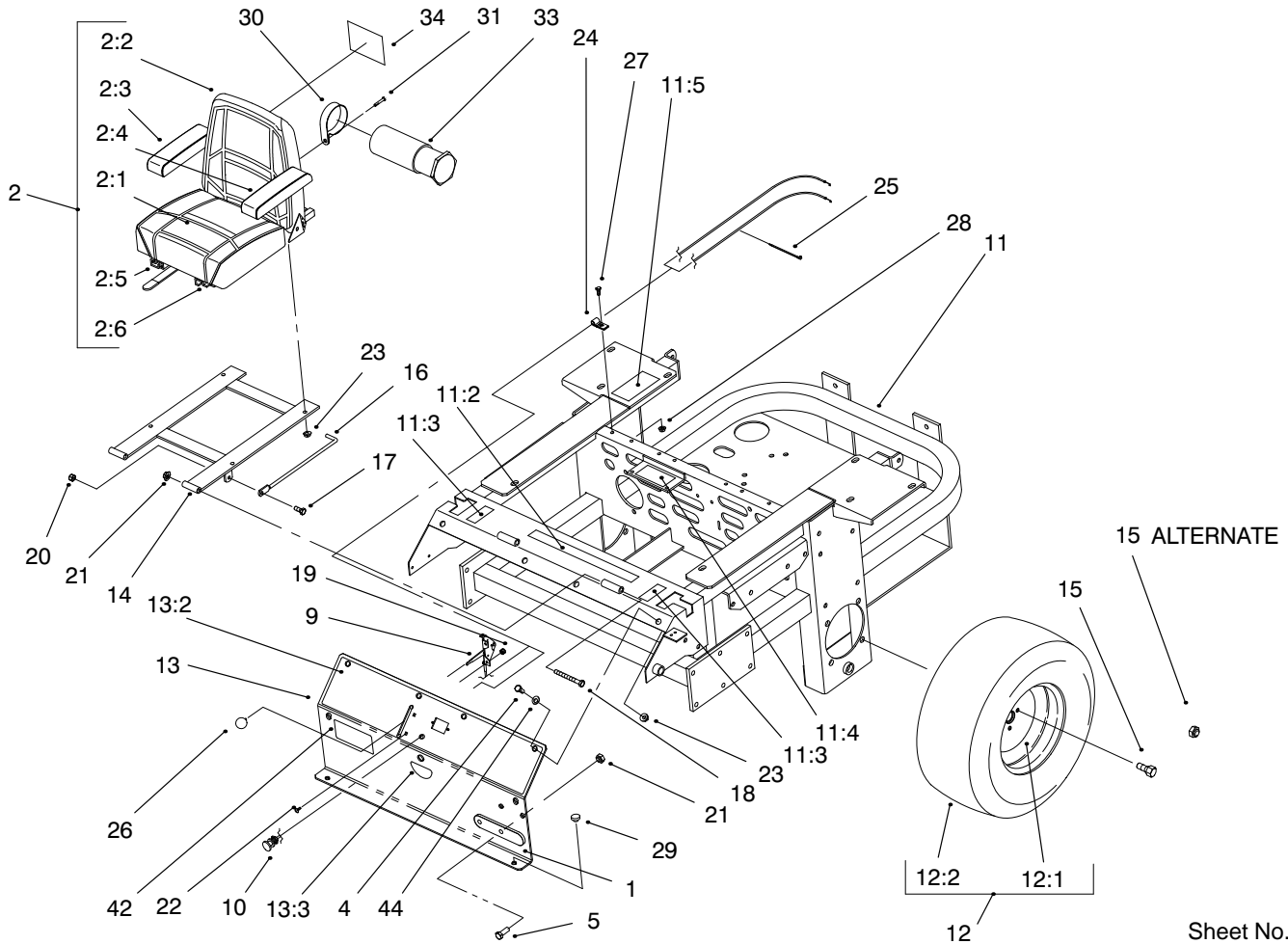
Sheet No.:2

## Front Frame Assembly

Ref. No.	Part No.	Qty.	Description
1	99-4601	1	Front Frame ASM
1:1	E633818	1	Decal
1:2	320-19	5	Fitting-Grease
3	99-4622	1	Floorpan ASM
3:2	E633553	3	Pad-Anti skid
3:3	E633766	1	Decal-Service
3:4	98-5954	1	Decal-Cover Missing
3:5	E633737	1	Decal-Z-Master
3:6	E633706	1	Decal-HOC
5	E632324	1	Lever-Lift
6	E633295	1	Grip-Lift Lever
7	E632219	1	Arm-Deck Lift
8	E633325	1	Spring-Compression
9	3256-24	3	Washer-Flat
10	32146-2	7	Nut-Hex Lock
11	E808505	5	Ring-Retaining
12	E633068	2	Arm-Deck Lift
13	3272-10	2	Pin-Cotter
14	E808284	2	Pin-Clevis
15	E633889	1	Plate-Deck Lift
16	E632899	1	Plate-Deck Lift
17	E633082	1	Bushing
18	E633080	1	Bushing
19	323-13	1	Screw-HH
20	E633097	1	Hitch Pin w/Lanyard
21	E806005	1	Hairpin

Ref. No.	Part No.	Qty.	Description
22	323-9	2	Screw-HH
23	E303327	12	Washer-Lock
24	3290-357	17	Nut-Lock Flange
25	323-6	3	Screw-HH
26	323-7	12	Screw-HH
27	3256-29	4	Washer-Flat
28	E633096	2	Rod-Deck Lift
29	3217-11	8	Nut
30	E633441	4	Swivel-Deck Mount
31	3256-7	2	Washer-Flat
32	E633064	2	Spring-Deck Support
33	3218-6	4	Nut-Hex Jam
34	3256-7	2	Washer-Flat
35	E633587	1	Handle
37	E633345	1	Decal-HOC

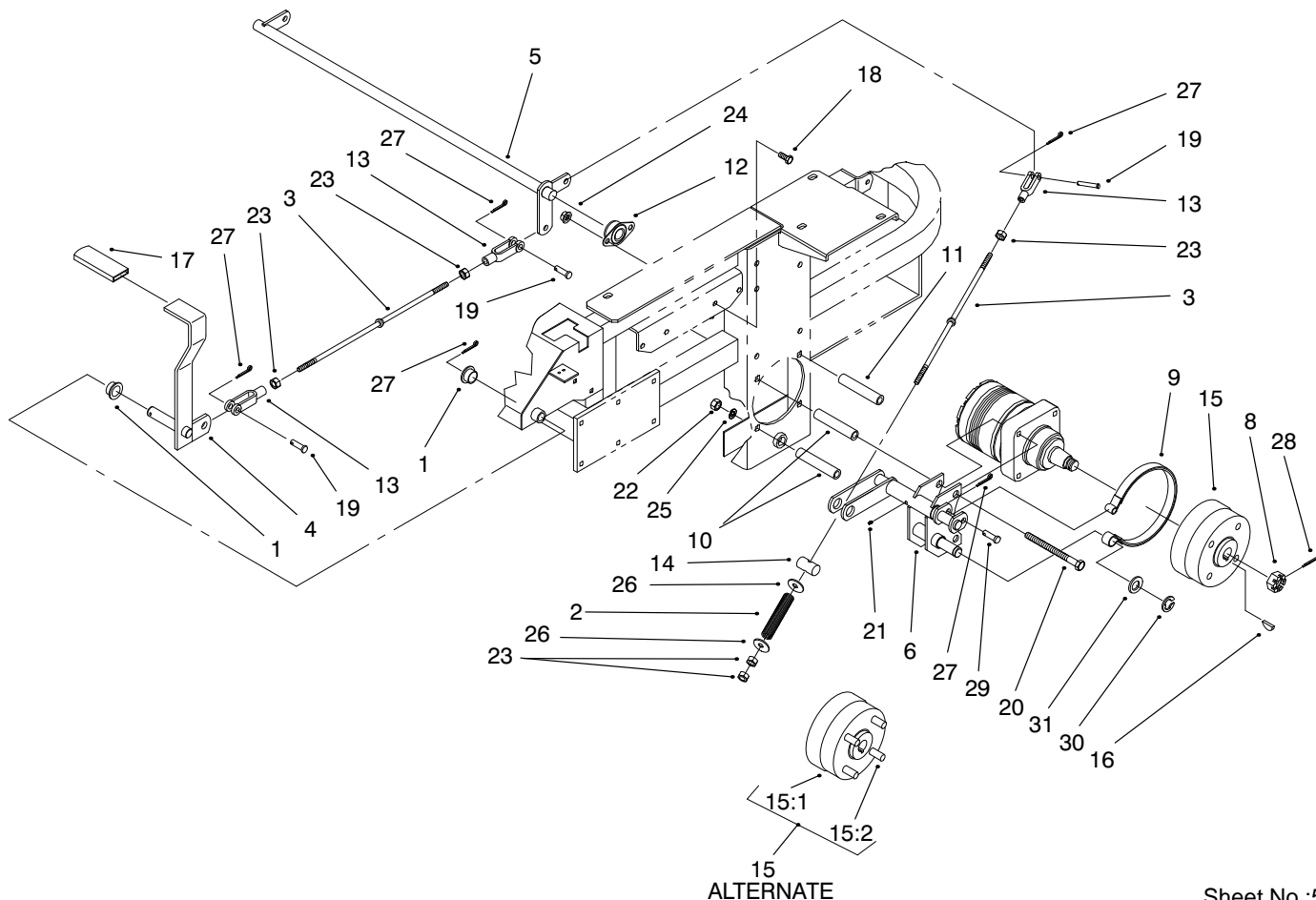




## Rear Frame And Wheel Assembly

Ref. No.	Part No.	Qty.	Description
1	E633964	1	Stop-Park Brake
2	99-4635	1	Seat/Armrest ASM (For Serial #990001 - 992099.)
2	E633705	1	Seat/Armrest ASM (Serial #993000 & Up)
2:1	E543407	1	Cushion-Seat
2:2	E633709	1	Cushion-Seat Back
2:3	E633710	1	Armrest-RH
2:4	E633711	1	Armrest-LH
2:5	E543401	4	Spacer-Track
2:6	E523428	1	4" Locking Track Set
4	322-3	8	Screw-HH
5	323-6	2	Screw-HH
9	E633696	1	Cable
10	E603336	1	Cable-Choke
11	99-4624	1	Frame ASM
11:2	E513747	1	Decal-Warning
11:3	E633354	2	Decal-Motion Control
11:4	E513929	1	Decal-Drive Release
11:5	E633771	1	Decal-Pump Belt
12	E633007	2	Wheel & Tire ASM
12:1	E633009	2	Wheel
12:2	E633008	2	Tire
13	99-4623	1	Console ASM
13:2	99-4611	1	Decal-Control Panel

Ref. No.	Part No.	Qty.	Description
13:3	E633346	1	Decal-Fuel Valve
14	E632187	1	Frame-Seat
15	E513011	8	Nut
15	E633273	8	Wheel Bolt
16	E633293	1	Rod-Seat Holdup
17	322-5	1	Screw-HH
18	323-21	2	Screw-HH
19	32146-18	2	Nut-Lock
20	32146-4	2	Nut-Lock
21	32146-2	4	Nut-Hex Lock
22	E807513	2	Bolt-CARR
23	32128-20	12	Nut-Lock
24	E513762	1	Clip
25	E303335	1	Tie-Plastic
26	E513592	1	Knob
27	321-4	1	Screw-HH
28	32128-33	1	Nut-Hex Flange
29	E513658	2	Bumper
30	2412-120	2	Clamp-R
31	E803060	2	Screw
33	74-0720	1	Tube-Manual
34	93-7340	1	Decal-Toro
42	E633736	1	Decal-Z255
44	3256-23	6	Washer-Flat

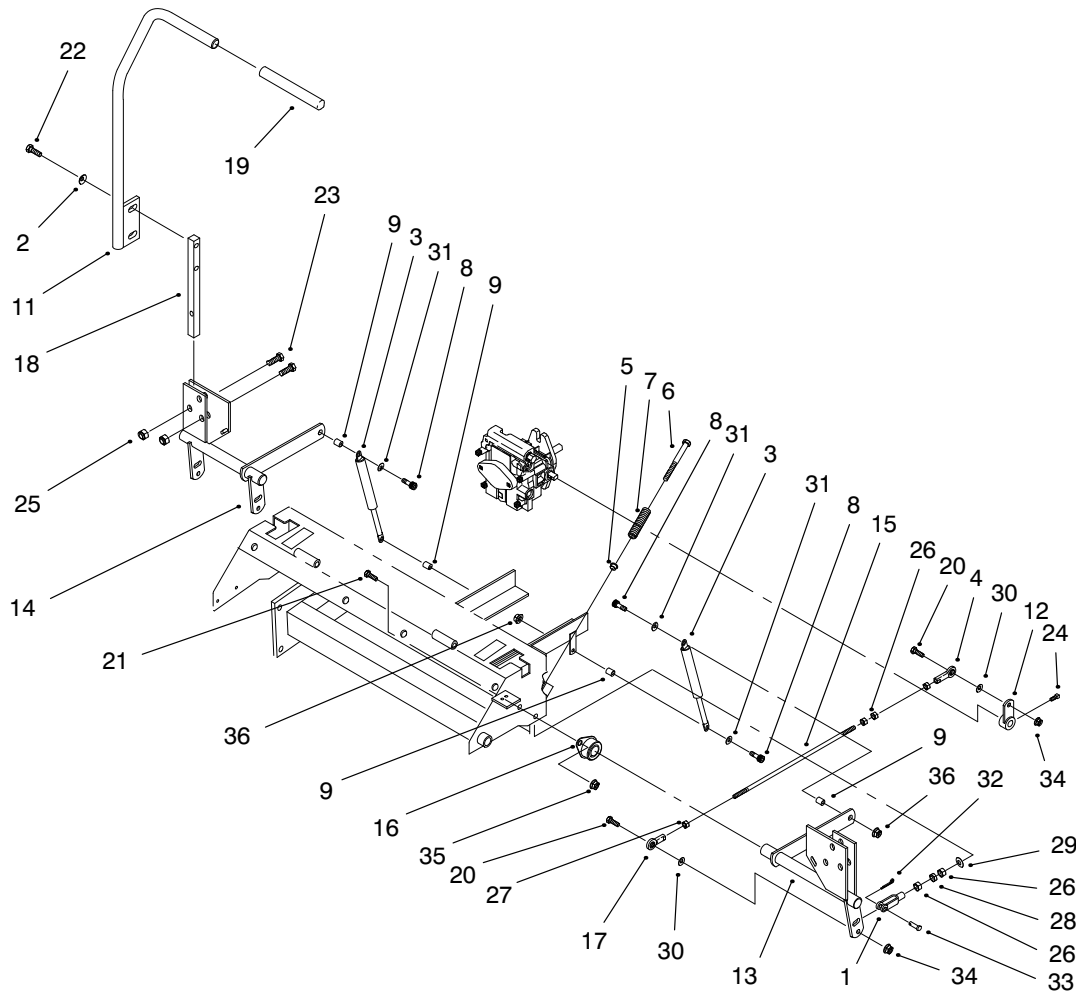


Sheet No.:5

## Brake And Wheel Hub Assembly

Ref. No.	Part No.	Qty.	Description	Ref. No.	Part No.	Qty.	Description
1	E513140	2	Bearing	24	3290-357	4	Nut-Lock Flange
2	E633454	2	Spring-Brake	25	3253-7	8	Washer-Lock
3	E633477	3	Rod-Brake	26	3256-4	4	Washer-Flat
4	E632489	1	Lever-Brake	27	3272-10	7	Pin-Cotter
5	E632217	1	Shaft-Brake	28	E806800	2	Pin-Cotter
6	E632712	1	Brake Bracket-LH	29	E808283	2	Pin-Clevis
*7	E632713	1	Brake Bracket-RH	30	E808514	2	E Ring Retainer
8	E809036	2	Nut	31	3256-28	2	Washer
9	E633693	2	Brake Band				
10	E633060	4	Spacer				
11	E633062	4	Spacer				
12	E633102	2	Bearing-Side Flange				
13	E633131	4	Yoke-Brake Linkage				
14	E633144	2	Pin-Trunnion				
15	E633548	2	Hub-Wheel				
15	E634927	2	Wheel Hub w/Studs				
15:1	E633980	2	Hub				
15:2	E633926	8	Stud-Wheel				
16	E807020	2	Key-Woodruff				
17	E633268	1	Grip-Brake Lever				
18	323-4	4	Screw-HH				
19	E808285	4	Pin-Clevis				
20	325-20	8	Screw-HH				
21	302-19	2	Fitting-Grease				
22	3217-9	8	Nut-HH				
23	3219-3	8	Nut-Hex				

\* Not Illustrated



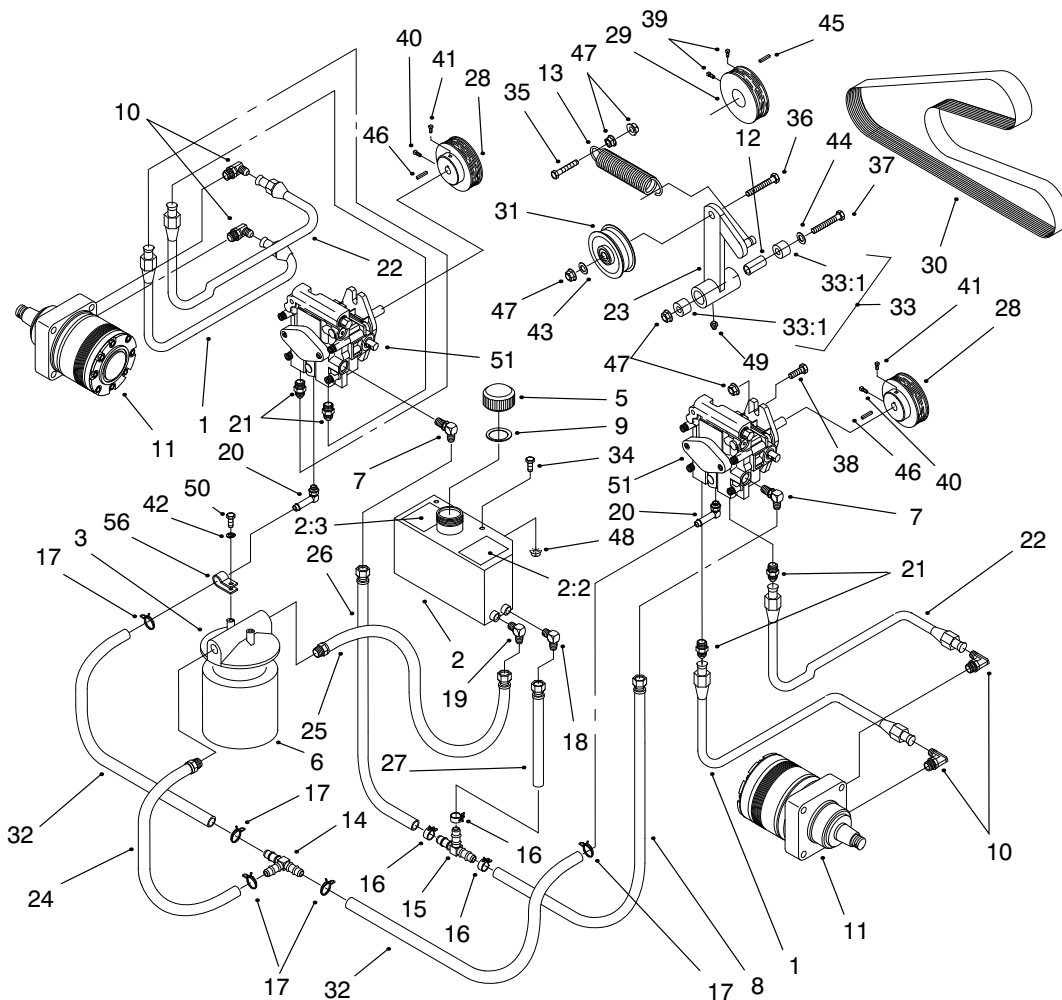
Sheet No.:6

## Control Panel Assembly

Ref. No.	Part No.	Qty.	Description
1	E303105	2	Yoke
2	E303327	4	Washer-Lock
3	E523027	2	Damper
4	E543017	2	Ball Joint
5	E603735	2	Bushing
6	E603737	2	Bolt
7	E603807	2	Spring
8	E809057	4	Screw-HSH
9	E603903	4	Spacer
*10	E632191	1	Lever-Control LH
11	E632193	1	Lever-Control RH
12	E632208	2	Arm-Pump Control
13	E632911	1	Motion Control
14	E632912	1	Motion Control
15	E633153	2	Linkage
16	E633102	4	Bearing-Side Flange
17	E633152	2	Ball Joint LH
18	E633177	2	Arm
19	E633257	2	Grip
20	322-6	4	Screw-HH
21	323-4	8	Screw-HH
22	323-6	4	Screw-HH
23	323-9	6	Screw-HH
24	E803022	2	Screw-Set
25	32146-2	6	Nut-Hex Lock
26	3219-2	10	Nut

Ref. No.	Part No.	Qty.	Description
27	E804524	2	Nut
28	3220-2	2	Nut-Jam
29	3256-2	2	Washer-Flat
30	3256-3	4	Washer-Flat
31	3256-23	4	Washer-Flat
32	3272-5	2	Pin-Cotter
33	E808280	2	Pin-Clevis
34	32128-20	4	Nut-Lock
35	3290-357	8	Nut-Lock Flange
36	32128-33	4	Nut-Hex Flange

\* Not Illustrated



Sheet No.:7

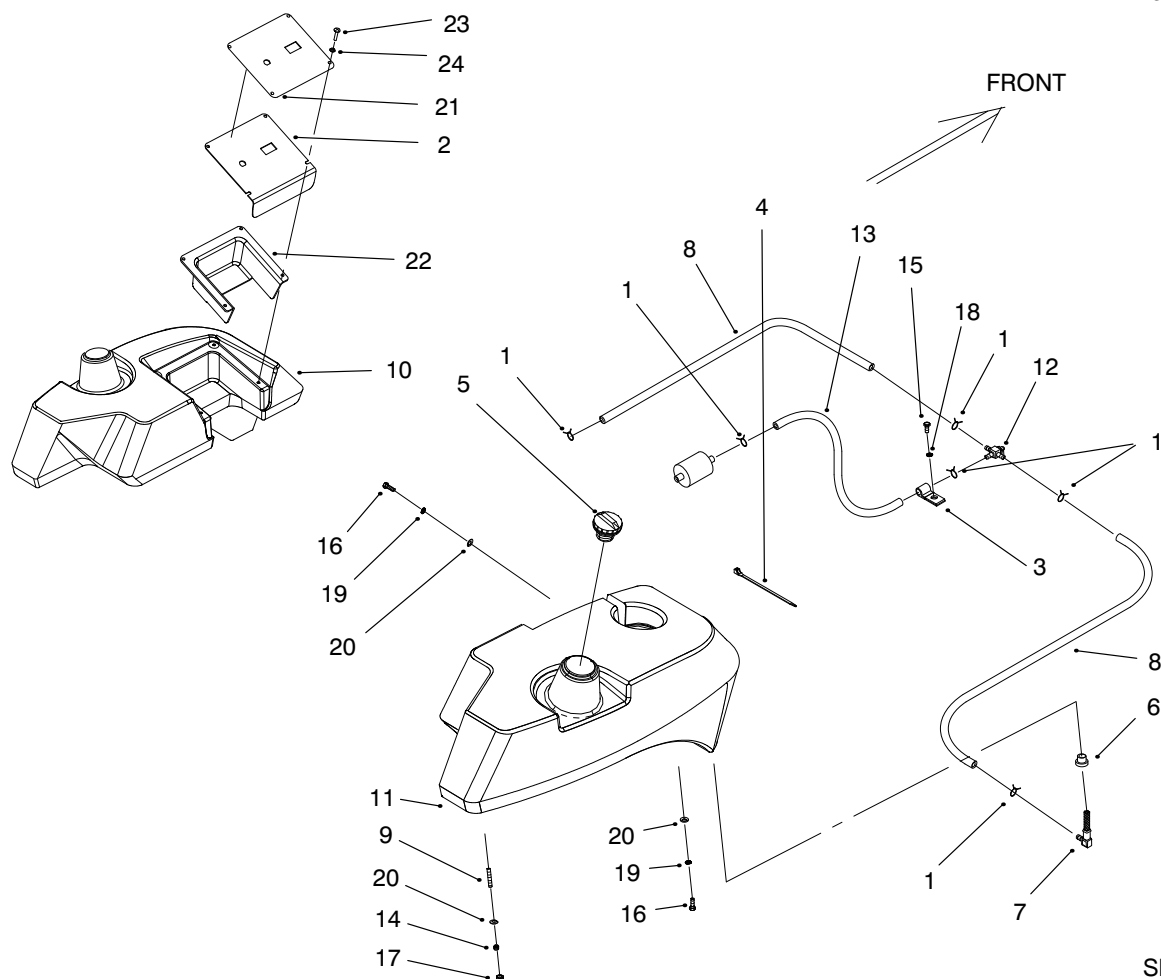
## Hydraulic System Assembly

Ref. No.	Part No.	Qty.	Description
1	E633776	2	Hose
2	99-4625	1	Hydraulic Tank ASM
2:2	65-2690	1	Decal-Hot Surface
2:3	E513890	1	Decal-Hydraulic Tank
3	E513006	1	Filter Head
5	E513167	1	Cap
6	E633750	1	Filter-Hydro
6	E633752	1	Filter-Winter Hydro
7	E513840	2	Elbow
8	E522217	1	Hose ASM-Low Pressure
9	E523103	1	Gasket
10	E633786	4	Elbow 90°
11	E523328	2	Motor-Wheel
*11:1	E000099	2	Kit-Seal
*11:2	E807020	2	Key-Woodruff
*11:3	E000139	2	Kit-Bearing
*11:4	E809036	2	Nut
12	E603384	1	Bushing
13	E603413	1	Spring-Extension
14	E603721	1	Fitting-Tee
15	E603722	1	Fitting-Tee
16	E603826	3	Clamp-Hose
17	E603827	5	Clamp-Hose
18	E603987	1	Elbow
19	E603988	1	Elbow

Ref. No.	Part No.	Qty.	Description
20	E603989	2	Elbow
21	E603990	4	Adapter
22	E633777	2	Hose
23	E632201	1	Arm-Pump Idler
24	E632281	1	Hose ASM-Low Pressure
25	E632282	1	Hose ASM-Low Pressure
26	E632285	1	Hose ASM-Low Pressure
27	E632286	1	Hose ASM-Low Pressure
28	E633568	2	Sheave
29	E633567	1	Sheave
30	E633749	1	Belt
31	E633167	1	Pulley-Idler
32	E633335	2	Hose-Low Pressure
33	E634277	1	Arm ASM
33:1	E513034	2	Bearing-Pivot
34	321-4	2	Screw-HH
35	323-8	1	Screw-HH

\* Not illustrated



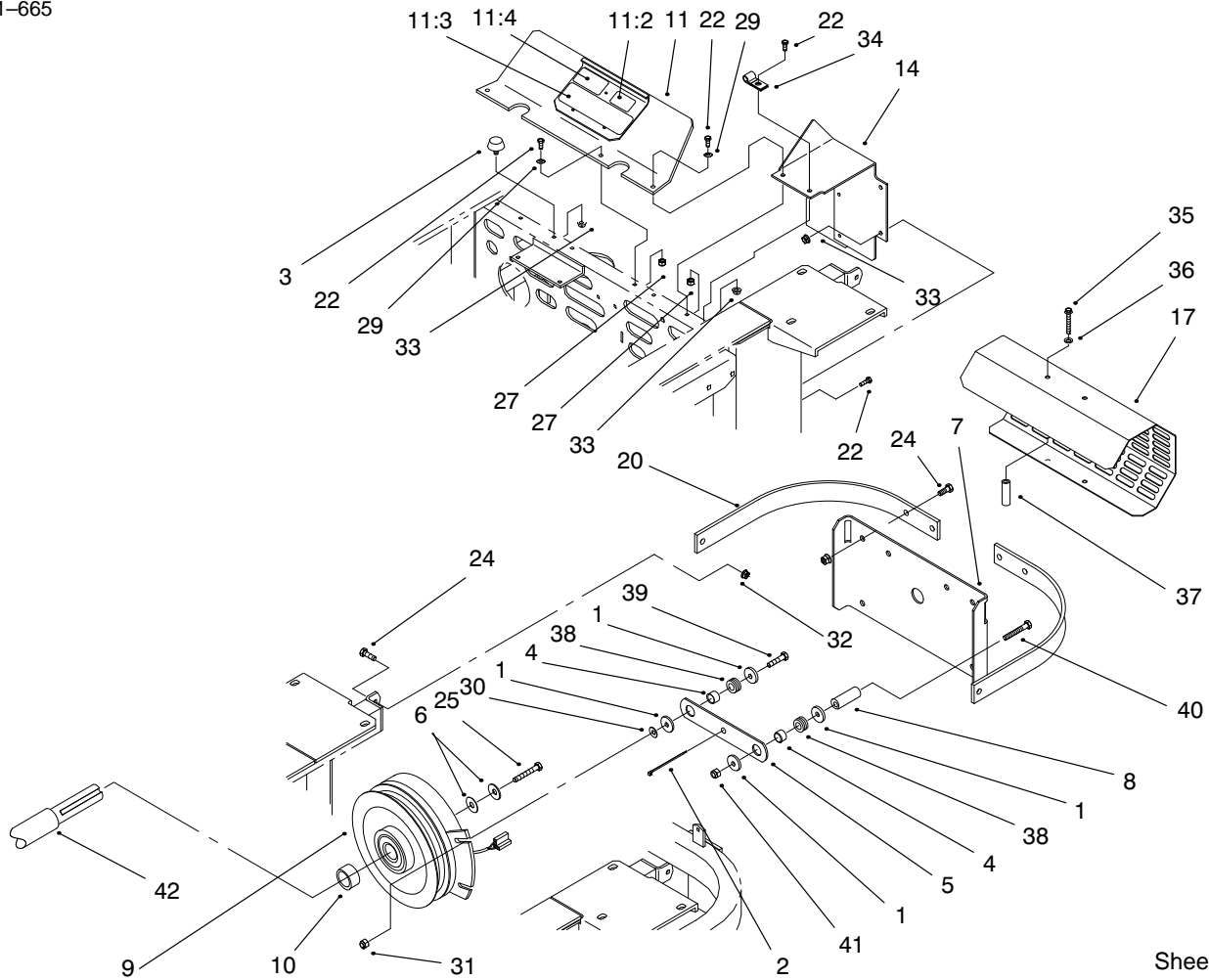


Sheet No.:8

## Tank And Fuel Lines Assembly

Ref. No.	Part No.	Qty.	Description
1	E303077	6	Clamp
2	99-4656	1	Panel-Control
3	E513762	1	Clip
4	E303335	1	Tie-Plastic
5	93-3101	2	Gas Cap
6	E513645	2	Bushing
7	E543277	2	Elbow
8	E543456	2	Line-Fuel
9	E653314	6	Stud
10	99-4608	1	Tank-LH Fuel
11	99-4607	1	Tank-RH Fuel
12	E633347	1	Valve-Fuel Line
13	E633348	1	Fuel Line
14	E633349	6	Spring-Fuel Tank
15	321-3	2	Screw-HH
16	322-3	4	Screw-HH
17	3296-29	6	Nut-Lock
18	3253-3	2	Washer-Lock
19	3253-4	4	Washer-Lock
20	3256-23	10	Washer-Flat
21	99-4632	1	Decal-Control Panel
22	99-4940	1	Shield-Control Panel
23	E803071	4	Screw
24	E303435	4	Washer

Ref. No.	Part No.	Qty.	Description



Sheet No.:9

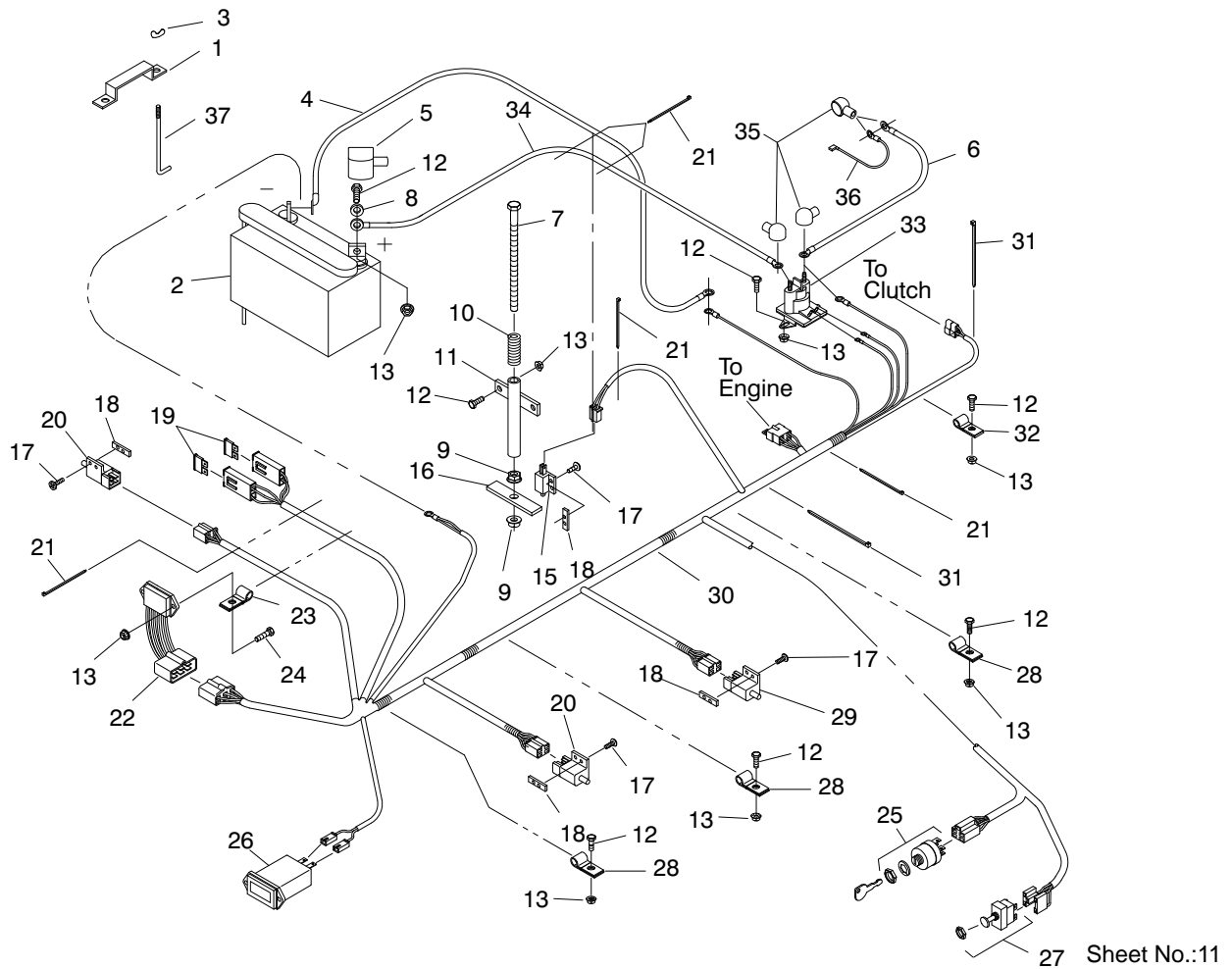
## Shields And Clutch Assembly

Ref. No.	Part No.	Qty.	Description
1	E613235	4	Washer
2	E303335	1	Tie-Plastic
3	E523420	2	Bumper
4	E633545	2	Spacer-Grommet
5	E633543	1	Strap-Clutch
6	E603610	2	Disc-Spring
7	E633615	1	Guard
8	E633988	1	Spacer
9	E633099	1	Clutch
10	E633179	1	Spacer
11	E634862	1	Shield ASM
11:2	E513748	1	Decal-Guard
11:3	E303517	1	Decal-Belt Drive
11:4	E633462	1	Decal-Important
14	E634796	1	Shield-LH
17	E633466	1	Guard-Muffler
*18	E634797	1	Shield-RH
20	E633613	2	Bracket-Guard
22	321-4	10	Screw-HH
24	323-6	6	Screw-HH
25	3212-10	1	Screw
27	32146-17	4	Nut-Lock
29	3256-2	4	Washer-Flat
30	3256-3	1	Washer-Flat
31	32128-20	1	Nut-Lock
32	3290-357	4	Nut-Lock Flange

Ref. No.	Part No.	Qty.	Description
33	32128-33	7	Nut-Hex Flange
34	E633396	1	Clip
35	E809076	2	Screw-HH
36	E323235	2	Washer-Spring
37	E323236	2	Spacer
38	E633630	2	Grommet
39	322-6	1	Screw-HH
40	322-19	1	Screw
41	3296-29	1	Nut-Lock
42	E633830	1	Kohler Command Ch25

\* Not Illustrated



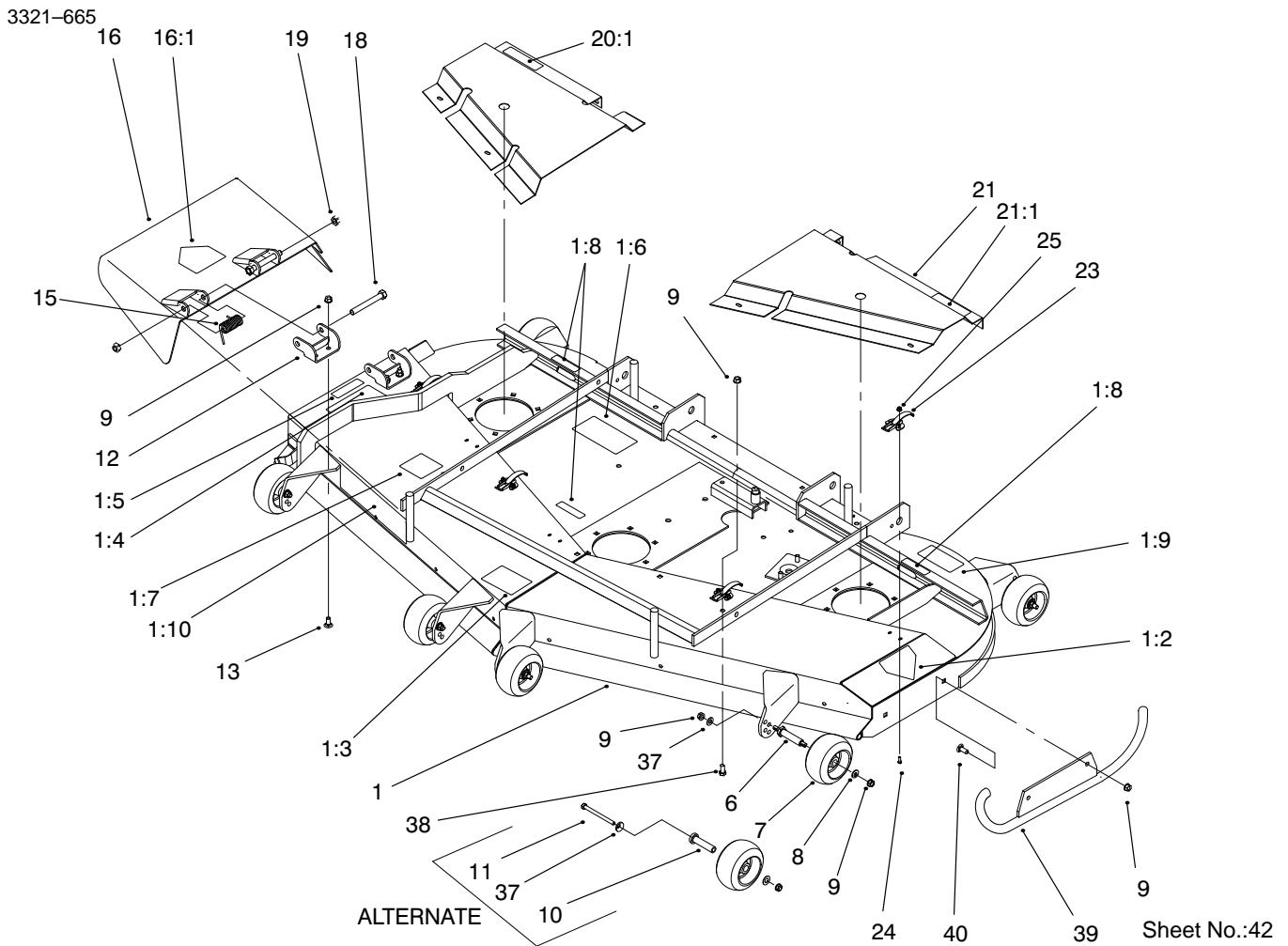


## Electrical System Assembly

Ref. No.	Part No.	Qty.	Description
1	E633652	1	Strap-Hold Down
2	E603479	1	Battery
3	E543792	2	Wingnut
4	E633307	1	Wire-Ground
5	E543391	1	Insulator-Battery
6	E633306	1	Wire-Starter
7	E800282	1	Screw
8	3256-2	2	Washer-Flat
9	32128-20	2	Nut-Lock
10	E523415	1	Spring
11	E522424	1	Mount-Spring
12	321-4	8	Screw-HH
13	32128-33	11	Nut-Hex Flange
15	E513152	1	Switch-Seat
16	E513180	1	Actuator-Switch
17	E803028	8	Screw
18	E633181	4	Plate
19	E816001	2	Fuse-20 Amp
20	E633111	2	Switch-Drive Lever
21	E303287	5	Tie-Plastic
22	E543316	1	Module-Interlock
23	E513762	1	Clip
24	321-6	1	Screw-HH
25	E543070	1	Switch-Ignition
26	E513374	1	Meter-Hour
27	E633673	1	Switch-PTO

Ref. No.	Part No.	Qty.	Description
28	E633396	3	Clip
29	E633110	1	Switch-Brake
30	E643119	1	Harness
31	E303335	2	Tie-Plastic
32	E323229	1	Clip
33	E513075	1	Switch-Solenoid
34	E523281	1	Wire-Starter
35	E543393	3	Insulator-Solenoid
36	E543084	1	Wire-Starter Solenoid
37	E633651	2	Bolt-Battery

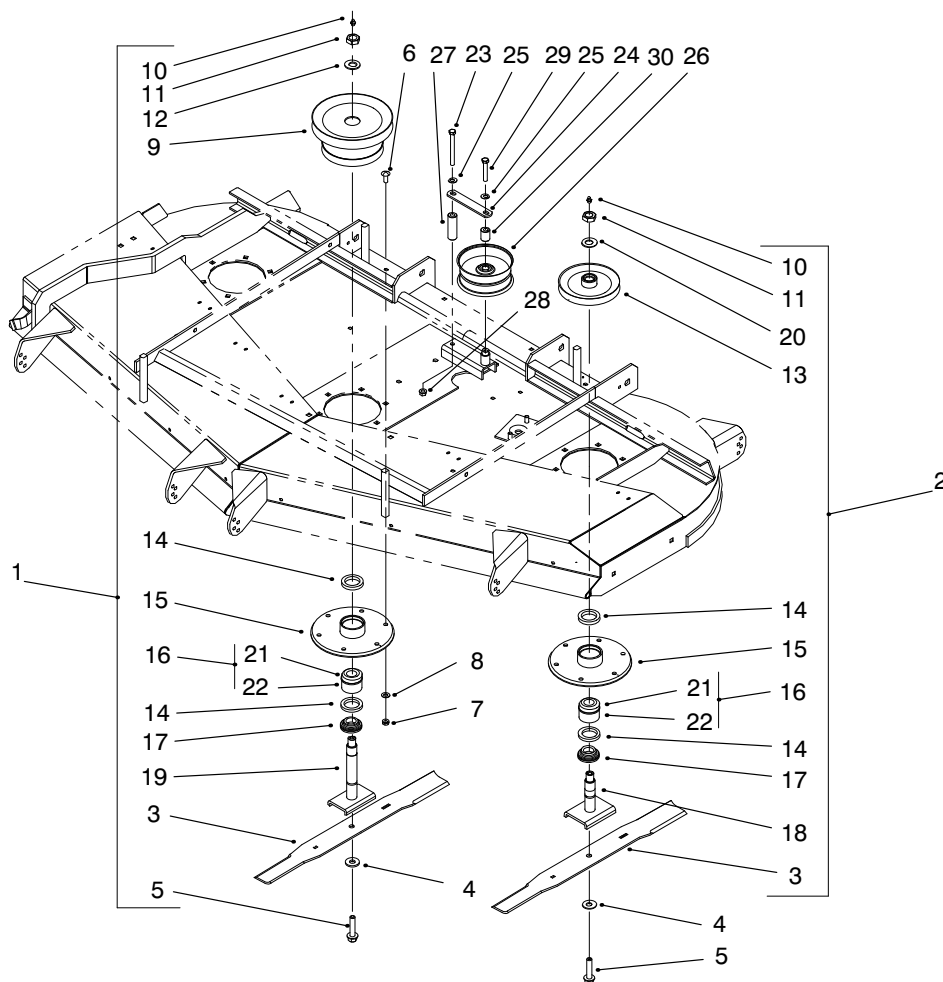




## Cover And Rollers Assembly

Ref. No.	Part No.	Qty.	Description
1	99-2621	1	72" Deck ASM
1:2	43-8480	1	Decal-Danger
1:3	98-3798	1	Decal-Gage Wheel
1:4	66-1340	1	Decal-Discharge
1:5	66-6380	1	Decal-Danger
1:6	98-3799	1	Decal-Belt Routing
1:7	98-3269	1	Decal-Made In USA
1:8	98-5954	3	Decal-Cover Missing
1:9	93-7818	1	Decal-Blade Bolt
1:10	98-5995	1	Decal-72"
6	99-2842	6	Spacer-Wheel
7	68-2730	6	Wheel-Gage
8	E373034	12	Washer-Flat
9	3290-357	22	Nut-Hex
10	98-3777	6	Spacer-Wheel
11	98-5961	6	Screw-HH
12	51-1530	2	Bracket-Hinge
13	3231-27	4	Screw-CARR
15	51-1550	2	Spring
16	14-0909	1	Deflector ASM
16:1	54-9220	1	Decal-Danger
18	325-17	2	Screw-HH
19	32153-5	2	Nut-Lock
20	98-2622	1	Cover ASM RH
20:1	67-5360	1	Decal-Danger
21	99-2623	1	Cover ASM LH

Ref. No.	Part No.	Qty.	Description
21:1	67-5360	1	Decal-Danger
23	249-21	4	Latch-Draw
24	3290-321	8	Screw-HH
25	32128-17	8	Nut-Lock
37	98-5975	6	Washer
38	323-4	4	Screw-HH
39	98-7923	1	Skid
40	3231-22	2	Bolt-CARR

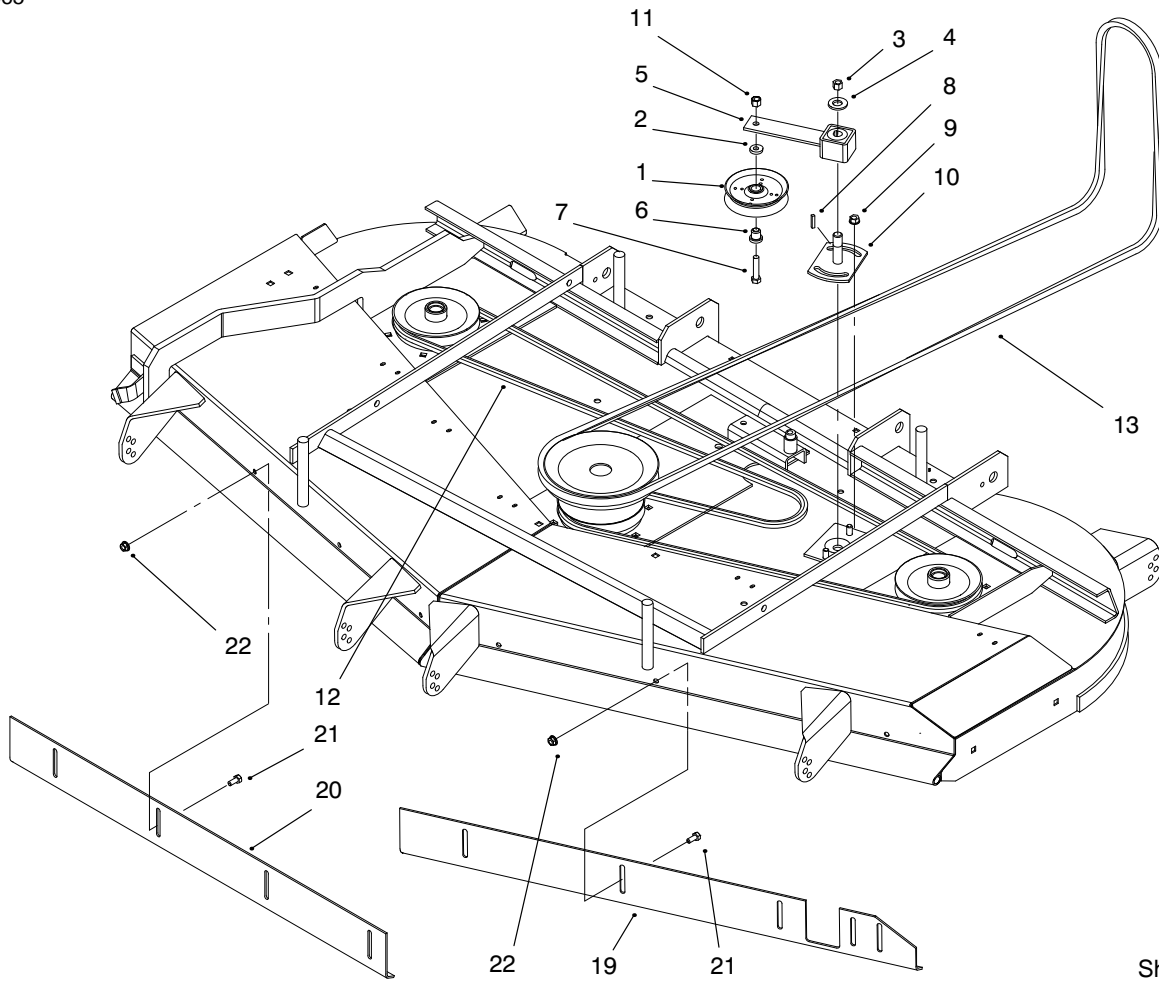


Sheet No.:43

## Deflector, Spindle And Pulley Assembly

Ref. No.	Part No.	Qty.	Description
1	99-2605	1	Spindle Housing ASM
2	57-0260	2	Spindle Housing ASM
3	94-1861	3	Blade
4	E513435	3	Washer-Flat
5	92-5816	3	Screw-Blade
6	3231-22	18	Bolt-CARR
7	32128-21	18	Nut-Lock
8	3256-24	A/R	Washer-Flat
9	99-4626	1	Pulley & Hub
10	302-2	3	Fitting-Grease
11	32146-20	3	Nut-Lock Jam
12	92-5836	1	Washer-Axle
13	99-4615	2	Pulley & Hub
14	253-139	6	Seal-Oil
15	61-4160	3	Spindle
16	46-8530	3	Bearing ASM (Incl. Ref #21-22)
17	27-0950	3	Spacer-Bearing
18	27-0920	2	Shaft-Spindle
19	51-3551	1	Spindle-Center
20	7-4150	2	Washer
21	27-0960	3	Bearing ASM
22	27-5970	3	Spacer-Matched Set
23	323-42	2	Screw-HH
24	E653189	1	Plate-Belt Guide
25	E303327	2	Washer-Spring

Ref. No.	Part No.	Qty.	Description
26	E413099	1	Pulley-Idler, Flat
27	99-4659	1	Spacer-Bracket
28	3290-357	1	Nut-Flange
29	323-11	1	Screw-HH
30	E653190	1	Spacer

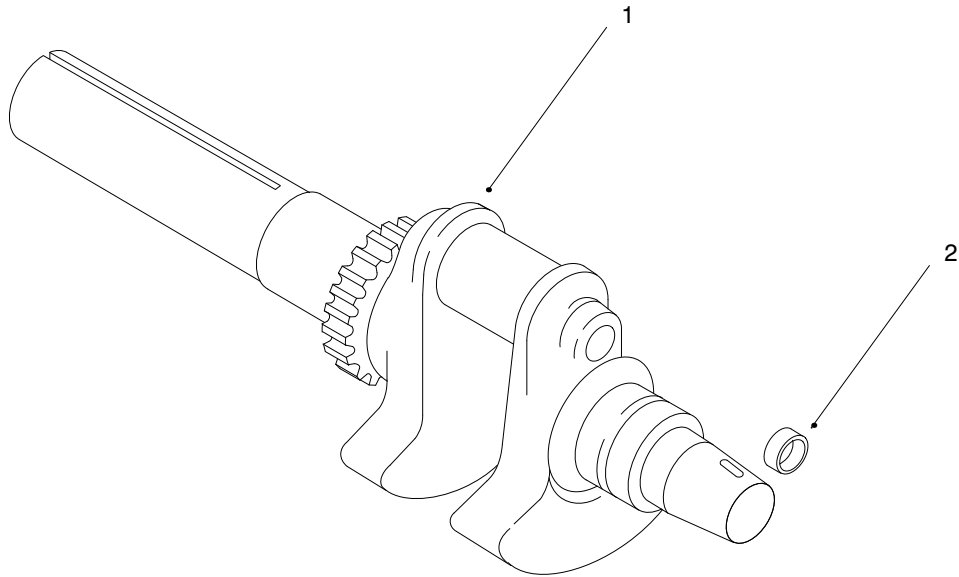


Sheet No.:44

### Baffle And Belt Assembly

Ref. No.	Part No.	Qty.	Description
1	65-5940	1	Pulley-Idler
2	7-0081	1	Washer-Special
3	3296-33	1	Nut-Lock
4	3256-27	1	Washer-Flat
5	27-8580	1	Idler Socket
6	65-5950	1	Bushing-Pulley
7	3211-8	1	Screw-HH
8	5-1077	1	Key-Square
9	3290-357	2	Nut-Flange
10	44-6300	1	Plate-Idler
11	3296-5	1	Nut-Lock
12	57-0240	1	V-Belt
13	99-4627	1	V-Belt
19	99-5156	1	Baffle-Front, LH
20	93-3215	1	Baffle-Front, RH
21	3234-5	8	Screw-Flange
22	32128-20	8	Nut-Lock Flange

Ref. No.	Part No.	Qty.	Description

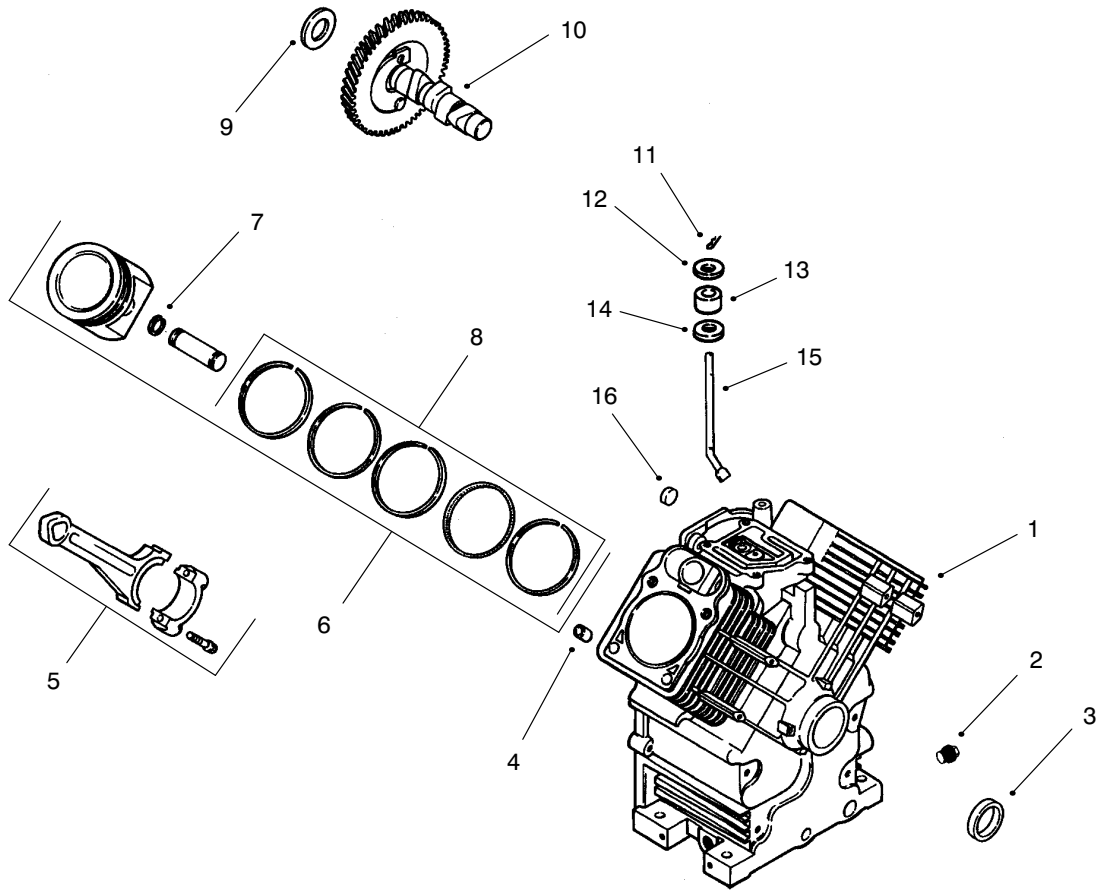


### Group 1 – Crankshaft (CH25S 68606 Kohler)

Ref. No.	Part No.	Description	No. Used
1	24 014 06	Crankshaft (Includes 2)	1
2	52 139 09	Plug, cup	1

Ref. No.	Part No.	Description	No. Used
----------	----------	-------------	----------

Obtain Parts From Kohler

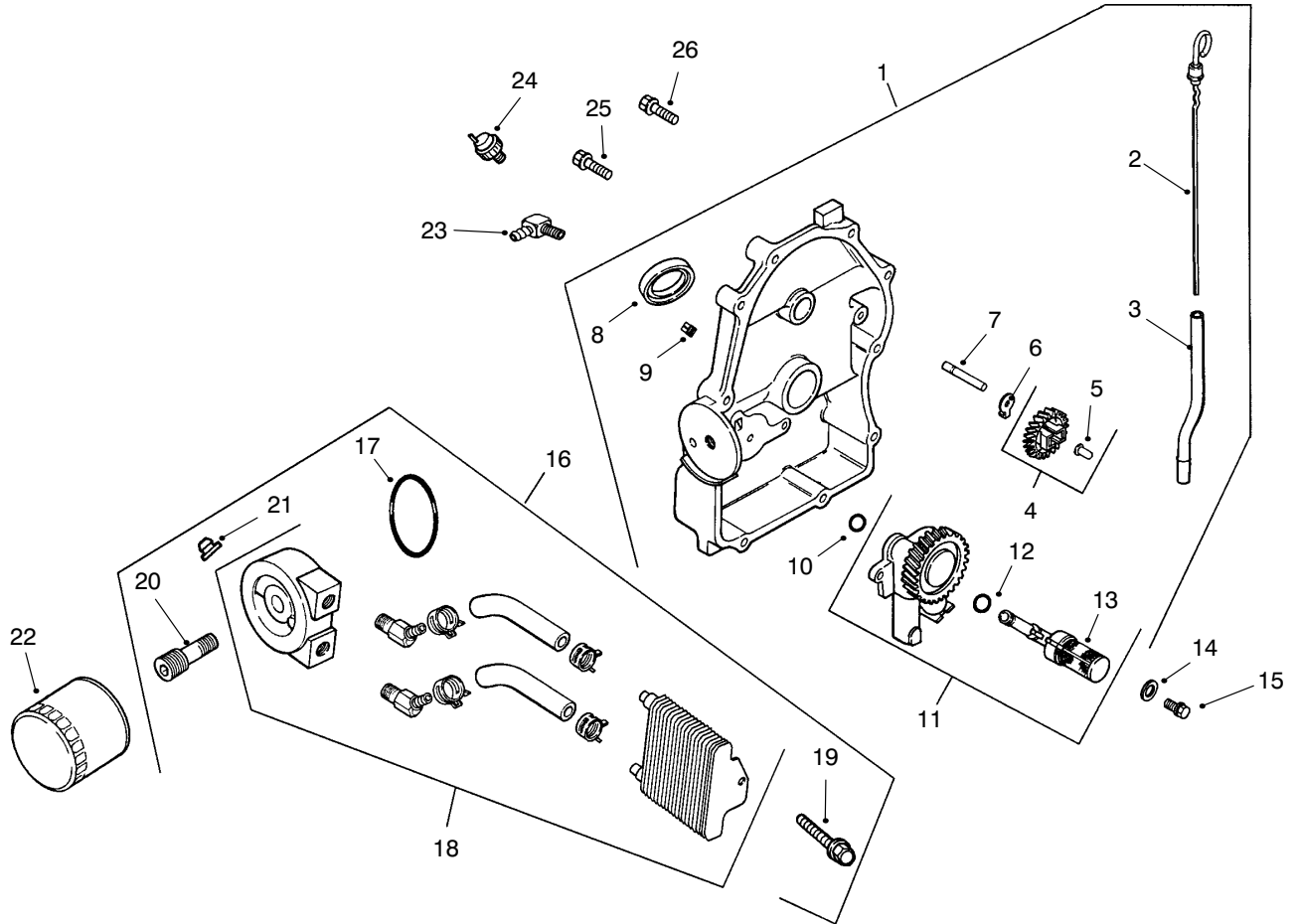


## Group 2 – Crankcase (CH25S 68606 Kohler)

Ref. No.	Part No.	Description	No. Used
1	24 561 33	Cylinder Block (Includes 2,4,16,17)	1
2	X-75-10	Plug, drain	2
3	24 032 01	Seal, oil front	1
4	12 380 17	Pin, dowel locating	6
5	24 067 13	Connecting Rod (Std.)	2
	24 067 14	Connecting Rod (.25)	2
6	24 874 06	Piston w/Ring Set (Std.)	2
7	24 018 01	Retainer, piston pin	4
8	24 108 04	Ring Set (Std.)	2
9	12 422 09	Shim, camshaft – red	A/R
	12 422 13	Shim, camshaft – black	A/R
	12 422 07	Shim, camshaft – white	A/R
	12 422 08	Shim, camshaft – blue	A/R

Ref. No.	Part No.	Description	No. Used
	12 422 10	Shim, camshaft – yellow	A/R
	12 422 11	Shim, camshaft – green	A/R
	12 422 12	Shim, camshaft – gray	A/R
10	24 012 10	Camshaft	1
11	12 380 04	Pin, hitch	1
12	M-0631005	Washer, flat	1
13	12 032 01	Seal, governor cross shaft	1
14	X-25-102	Washer, plain	1
15	24 144 01	Shaft, governor cross	1
16	52 139 09	Plug, cup	1
17	24 113 56	<b>Not Illustrated</b> Decal, Service	1

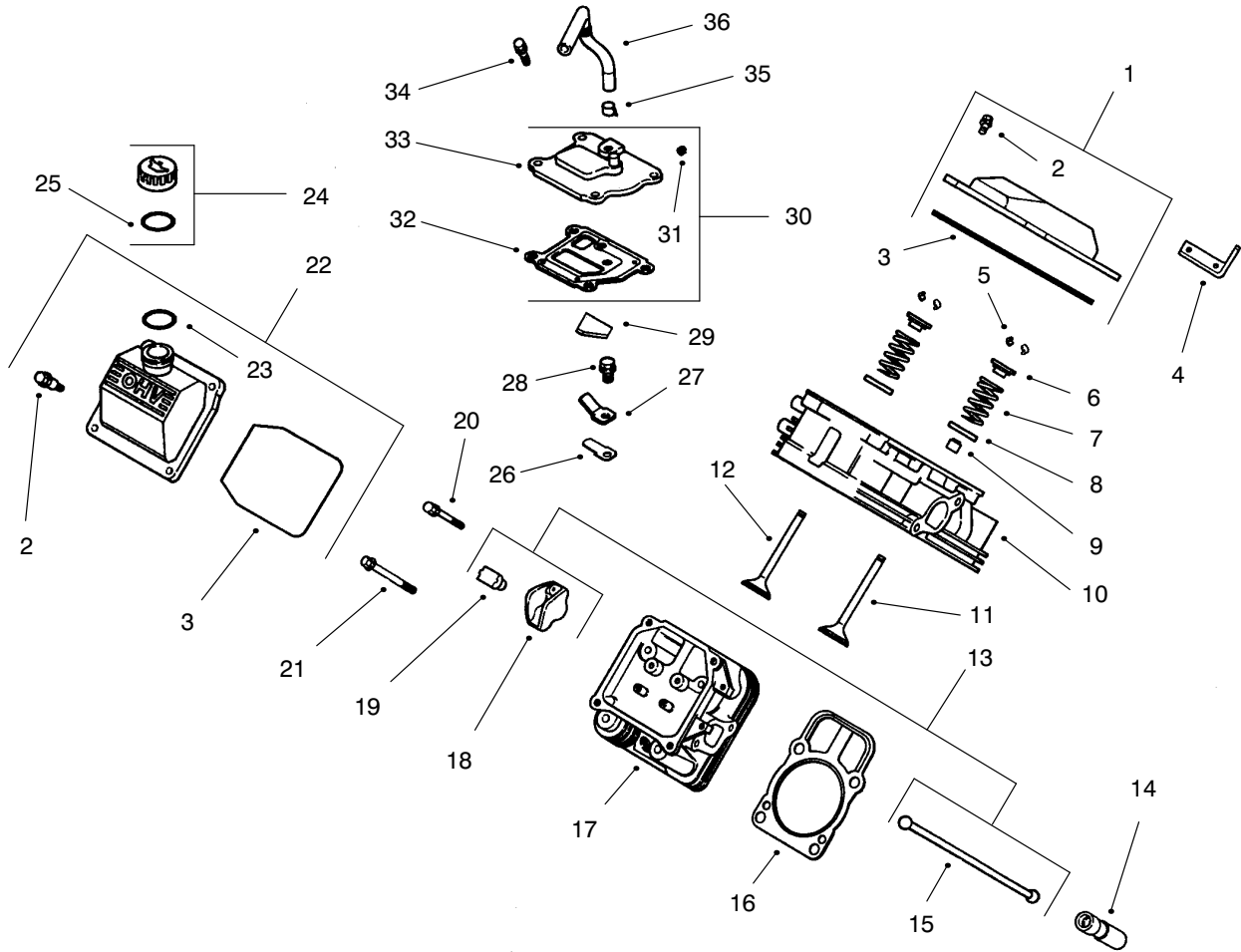
Obtain Parts From Kohler



### Group 3 – Oil Pan/Lubrication (CH25S 68606 Kohler)

Ref. No.	Part No.	Description	No. Used	Ref. No.	Part No.	Description	No. Used
1	24 009 83	Plate, closure assembly (Includes 2-12)	1	15	M-0645025	Screw, hex flange	2
2	24 038 06	Dipstick	1	16	54 755 14	Kit, oil cooler (Incl. 17-21)	1
3	24 123 08	Tube, dipstick	1	17	24 253 17	O-Ring	1
4	24 043 12	Kit, governor gear (Includes 5)	1	18	24 594 15	Cooler, oil	1
5	12 380 01	Pin, governor regulating	1	19	24 086 12	Screw, hex	2
6	52 448 02	Tab, locking	1	20	24 136 05	Nipple, oil filter	1
7	12 144 02	Shaft, governor gear	1	21	24 100 01	Nut, plastic	2
8	52 032 08	Seal, oil (PTO end)	1	22	52 050 02	Filter, oil	1
9	X-75-23	Plug, pipe 1/8"	2	23	25 155 02	Connector	1
10	24 153 08	O-Ring	1	24	24 099 03	Switch, pressure	1
11	24 393 10	Oil pump assembly (Includes 12,13)	1	25	24 086 16	Screw, hex flange	9
12	24 153 01	O-Ring, oil pick-up	1	26	24 086 17	Screw, hex flange	1
13	24 381 04	Pick-up, oil	1			<b>Not Illustrated</b>	
14	M-0631005	Washer, plain 6 mm	2	27	24 113 25	Decal, oil cooler	1

Obtain Parts From Kohler

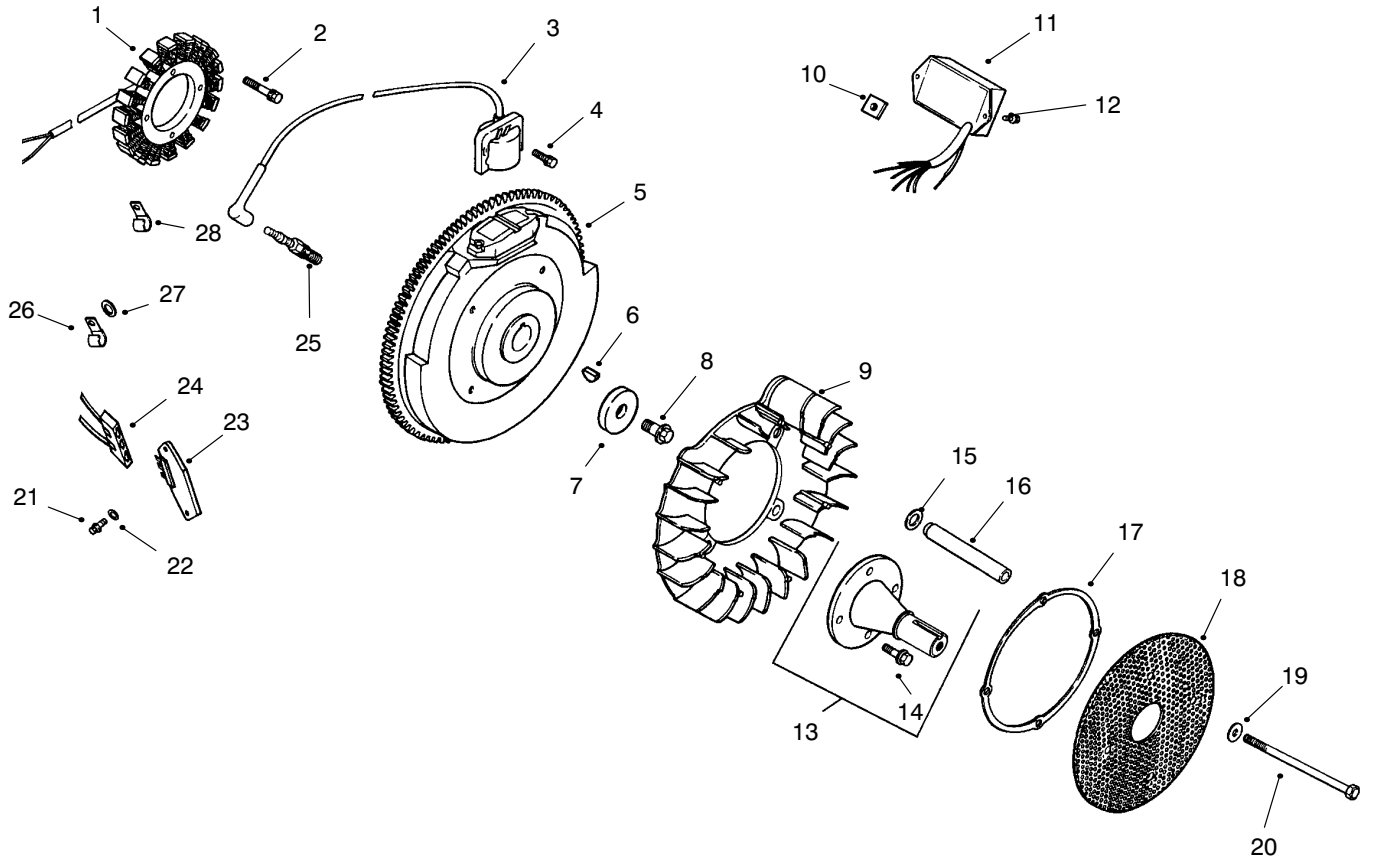


### Group 4 – Head/Valve/Breather (CH25S 68606 Kohler)

Ref. No.	Part No.	Description	No. Used
1	24 755 74	Kit, valve cover – plain (Includes 2-3)	1
2	24 086 32	Screw, shoulder	4
3	24 153 16	O-Ring, valve cover	1
4	24 445 01	Strap, lifting	1
5	12 755 03	Kit, retainer	4
6	12 173 01	Cap, valve spring	4
7	24 089 02	Spring, valve	4
8	235011	Retainer, spring	4
9	24 032 05	Seal, valve stem	2
10	24 318 13	Head assembly, #1 cylinder	1
11	24 017 01	Valve, intake (Std.)	2
	24 017 02	Valve, intake (.25)	2
12	24 016 01	Valve, exhaust (Std.)	2
	24 016 02	Valve, exhaust (.25)	2
13	24 755 66	Kit, valve train (Includes 15,18,19)	1
14	12 351 02	Lifter, valve	4
15	24 411 05	Rod, push	4
16	24 041 37	Gasket, cylinder head	2
17	24 318 14	Head assembly, #2 cylinder	1

Ref. No.	Part No.	Description	No. Used
18	25 186 01	Arm, rocker	4
19	24 599 01	Pivot, rocker arm	4
20	M-0640034	Screw, hex. flange	4
21	24 086 44	Screw, hex. flange	8
22	24 755 75	Kit, valve cover – oil fill (Includes 2,3,23)	1
23	24 153 09	O-Ring	1
24	24 755 46	Kit, oil fill cap (Includes 25)	1
25	12 153 03	O-Ring, oil fill cap	1
26	24 402 03	Reed, breather	1
27	12 018 01	Retainer, breather reed	1
28	M-0545010	Screw, hex. flange	1
29	24 050 01	Filter, breather	1
30	24 033 01	Kit, breather (Includes 31-33)	1
31	X-75-23	Plug, allen head pipe	1
32	24 041 23	Gasket, breather	1
33	24 096 02	Cover, breather	1
34	M-0645020	Screw, hex. flange	4
35	X-426-9	Clamp, breather	1
36	24 326 06	Hose, breather	1

Obtain Parts From Kohler

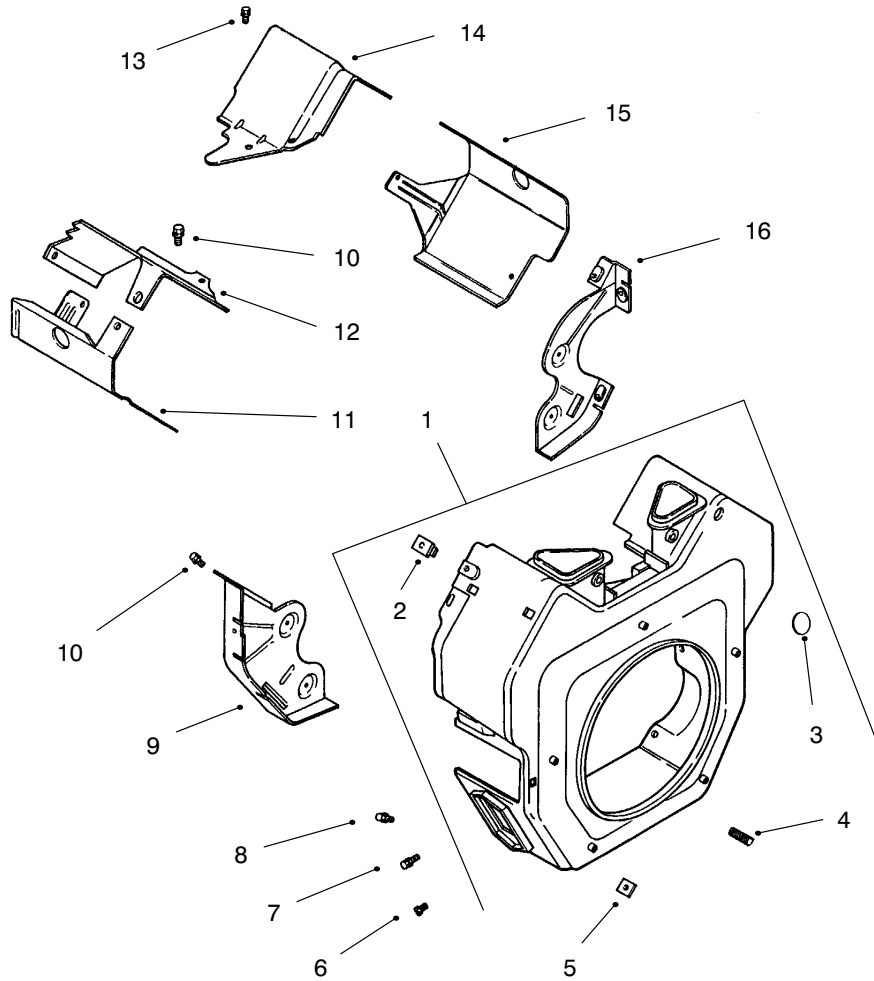


### Group 5 – Ignition/Electrical (CH25S 68606 Kohler)

Ref. No.	Part No.	Description	No. Used
1	54 755 09	Kit, 15 amp stator (Incl. 24 126 71 bracket)	1
2	M-0548025	Screw, hex. cap	2
3	24 584 11	Module, ignition	2
4	M-0561025	Screw, hex. socket hd.	4
5	24 025 03	Flywheel	1
6	X-42-15	Key	1
7	12 468 03	Washer, plain 3/8"	1
8	12 086 14	Screw, hex flange	1
9	24 157 03	Fan	1
10	24 100 02	Nut, plastic	2
11	24 584 09	Module, spark advance	1
12	24 086 41	Screw, phillips hd.	2
13	24 755 08	Kit, front drive shaft (Includes 14)	1
14	M-0839025	Screw, hex flange	4
15	24 468 11	Washer, spring 10mm	4
16	24 112 14	Spacer	4
17	24 141 06	Ring, support	1
18	24 162 22	Screen, grass	1

Ref. No.	Part No.	Description	No. Used
19	X-25-53	Washer, plain 1/4"	4
20	M-0603100	Screw, hex	4
21	24 086 18	Screw, phillips hd.	2
22	X-25-92	Washer, plain 3/16	2
23	25 403 03	Rectifier-regulator 15 amp	1
24	236602	Connector	1
25	12 132 06	Spark Plug	2
26	47 154 01	Clip, cable	1
27	X-25-63	Washer, plain 1/4"	1
28	48 154 02	Clip, cable	1
	25 518 28	<b>Not Illustrated</b> Lead, black, (4" – 18 gauge – insulated grip barrel eyelet terminals)	1
	24 176 38	Harness, wiring	1
	24 755 56	Kit, wiring (Includes Terminal #25 542 17 & Tie X-468-1)	1
	24 126 71	Bracket, stator wire	1
	X-22-11	Washer, lock	1

Obtain Parts From Kohler

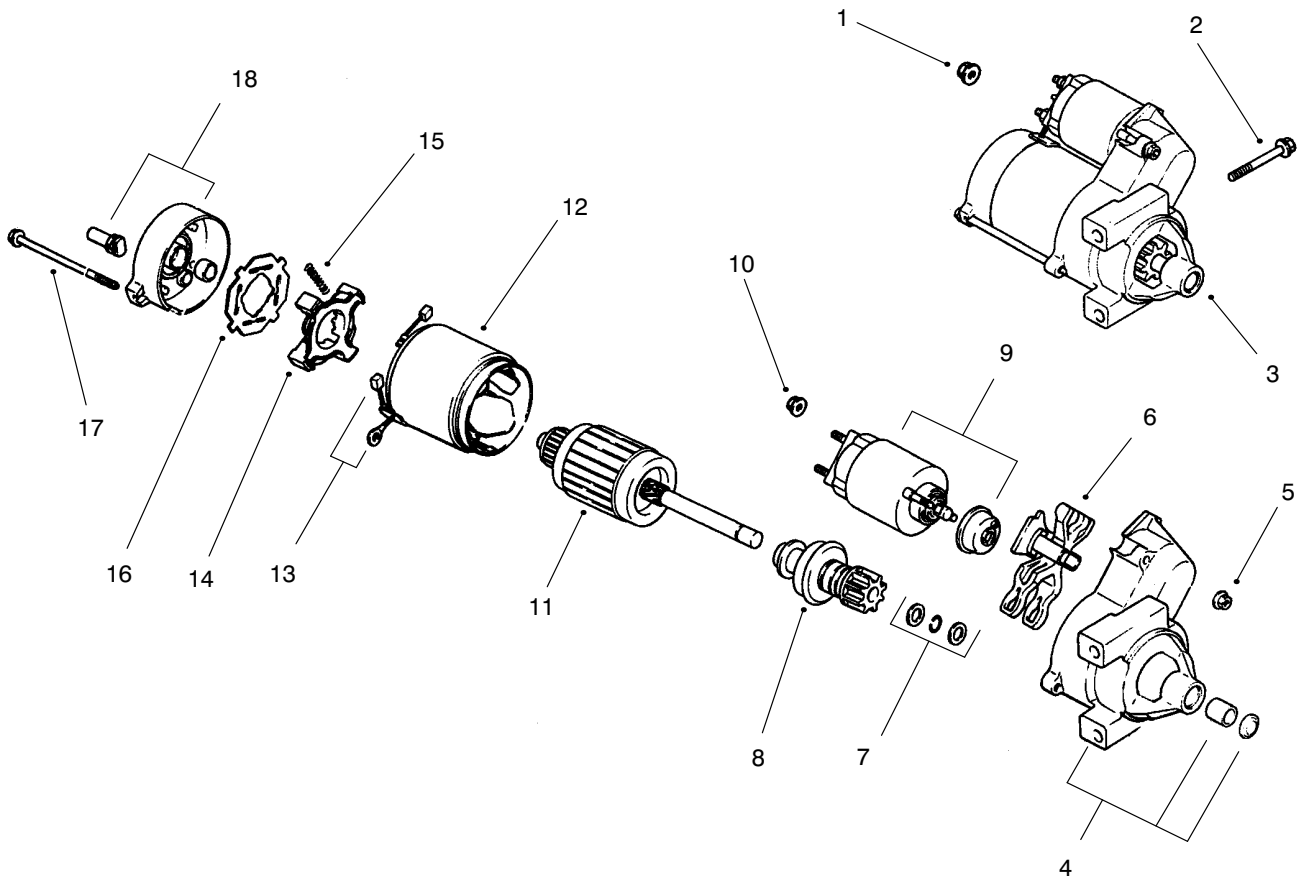


### Group 6 – Blower Housing & Baffles (CH25S 68606 Kohler)

Ref. No.	Part No.	Description	No. Used
1	24 027 40	Housing, blower (Includes 2-5)	1
2	24 100 02	Nut, plastic	2
3	25 139 16	Button plug	1
4	25 086 43	Screw, set	1
5	24 100 01	Nut, plastic	2
6	M-0551016	Screw, hex. flange	1
7	M-0545016	Screw, hex. flange	5
8	M-0567020	Screw, hex. flange	2
9	24 146 11	Plate, backing – #2 side	1

Ref. No.	Part No.	Description	No. Used
10	M-0645016	Screw, hex. flange	6
11	24 063 39	Baffle, cyl. barrel – #2 side	1
12	24 063 17	Baffle, valley – #2 side	1
13	M-0545010	Screw, hex. flange	2
14	24 063 24	Baffle, valley – #1 side	1
15	24 063 30	Baffle, cyl. barrel – #1 side	1
16	24 146 08	Plate, backing – #1 side	1
		<b>Not Illustrated</b>	
	24 113 69	Decal, HP	1

Obtain Parts From Kohler

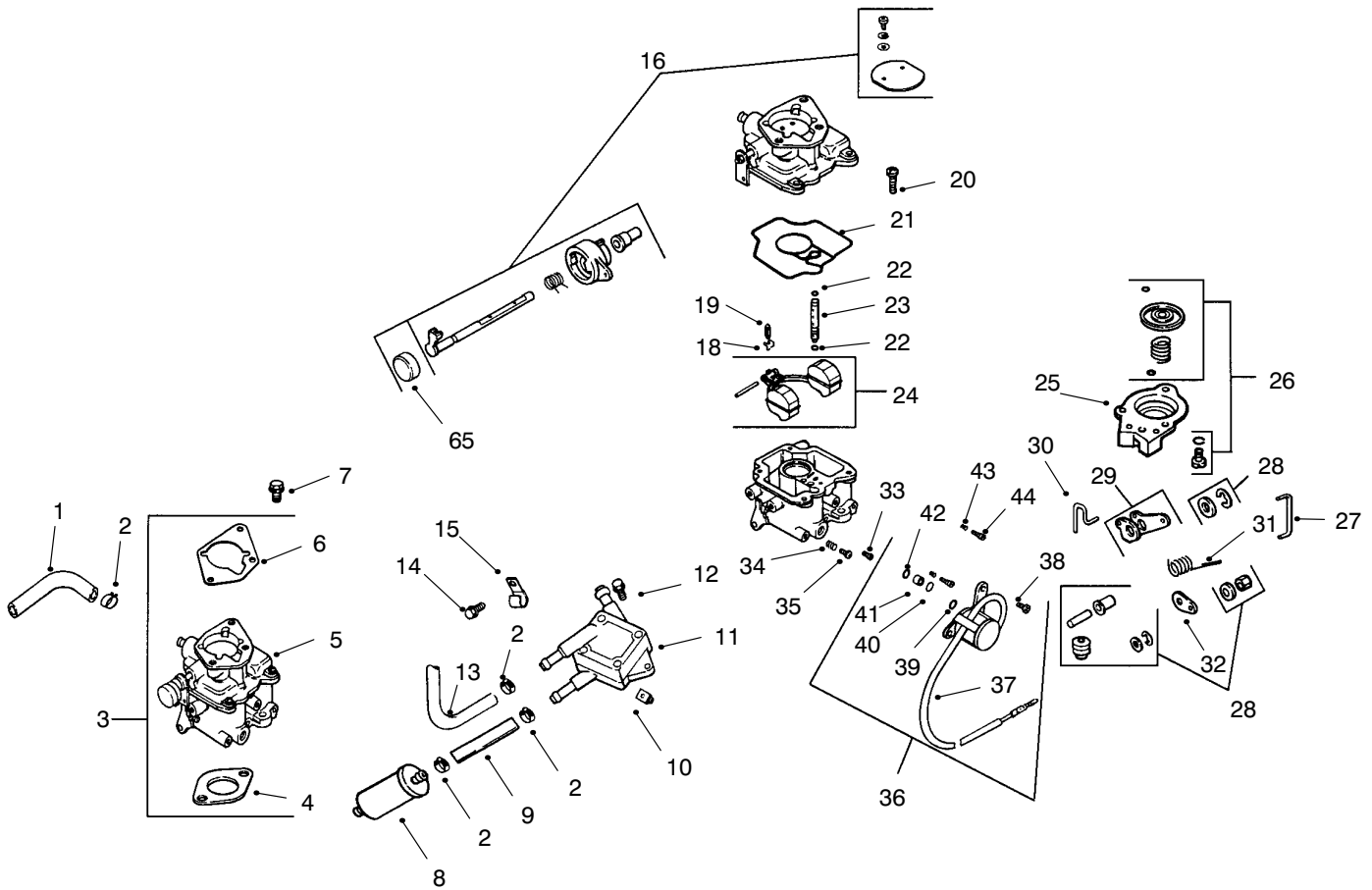


### Group 7 – Starting System (CH25S 68606 Kohler)

Ref. No.	Part No.	Description	No. Used
1	M-0841080	Nut, hex flange	1
2	M-0839080	Screw, hex. flange	2
3	24 098 01	Starter, solenoid shift assembly (Incl. 4-18)	1
4	24 081 04	Drive, end cap	1
5	52 100 10	Nut, starter	2
6	12 090 10	Lever, starter drive	1
7	24 755 84	Kit, starter repair	1
8	12 239 01	Drive, pinion	1
9	52 435 02	Solenoid	1

Ref. No.	Part No.	Description	No. Used
10	52 100 09	Nut, starter	1
11	12 170 04	Armature, starter	1
12	12 471 01	Frame	1
13	52 221 01	Kit, brush & spring (Includes 15)	1
14	52 323 03	Holder, brush	1
15	52 089 09	Spring, brush	4
16	52 168 01	Insulator	1
17	52 211 05	Bolt, thru	2
18	24 301 01	Commutator, end cap	1

Obtain Parts From Kohler

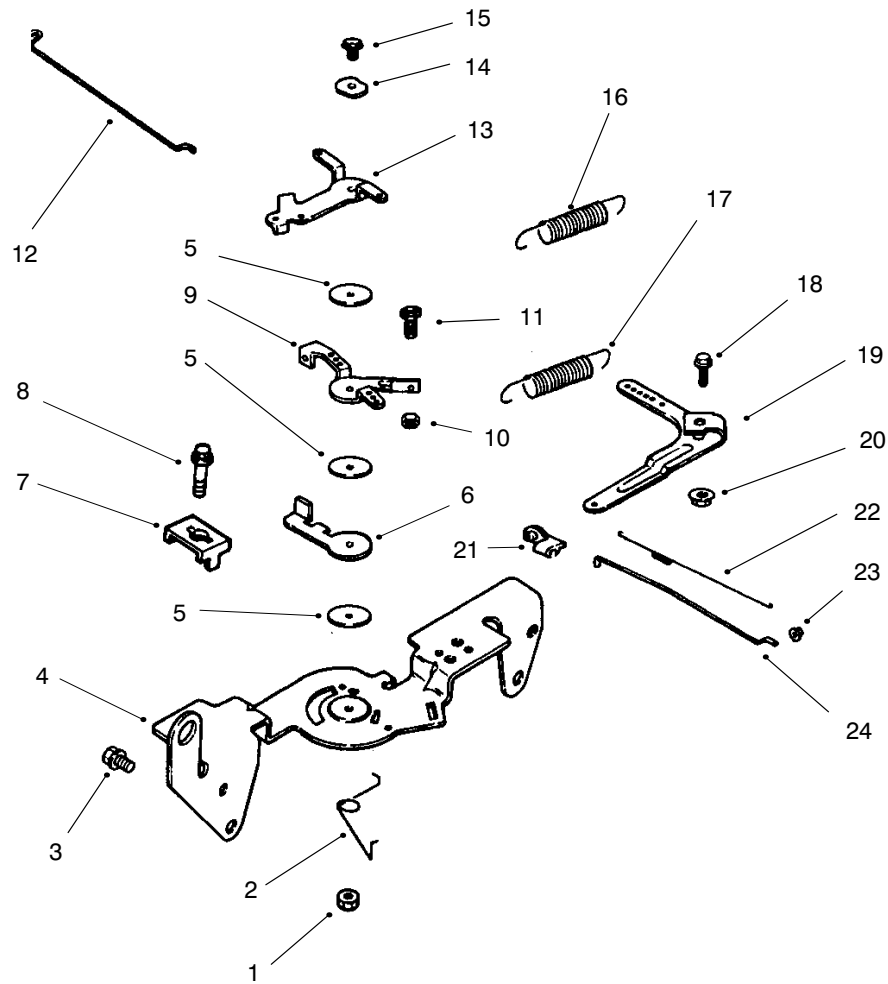


### Group 8 – Fuel System (CH25S 68606 Kohler)

Ref. No.	Part No.	Description	No. Used
1	25 353 10	Line, fuel – 9"	2
2	X-426-9	Clamp, hose	6
3	24 853 34	Kit, carburetor w/gasket (Includes 4-6)	1
4	24 041 06	Gasket, air cleaner base	1
5	24 053 34	Carburetor assembly (For information only not available separately)	1
6	24 041 17	Gasket, carburetor	1
7	M-0651030	Screw, hex. flange	2
8	24 050 02	Filter, fuel	1
9	25 353 15	Line, fuel	1
10	24 100 01	Nut, plastic	2
11	24 393 04	Pump, fuel-pulse	1
12	24 086 12	Screw, hex	2
13	24 353 02	Line, fuel 15-1/2"	1
14	M-0650012	Screw, hex flange	1
15	47 154 01	Clip, cable	1
18	24 154 01	Clip, inlet needle valve	1
19	24 462 01	Valve, inlet needle	1
20	24 086 09	Screw, sems pan hd.	4
21	24 041 09	Gasket, carburetor body	1
22	24 153 02	O-Ring, slow jet	1
23	24 337 29	Jet, slow	1
24	24 757 02	Kit, float repair	1
25	24 081 05	Housing, pump	1

Ref. No.	Part No.	Description	No. Used
26	24 757 08	Kit repair-accelerator pump	1
27	24 079 07	Linkage, rod	1
28	24 757 09	Kit repair-accelerator pump diagram	1
29	24 090 16	Lever, rod	1
30	24 079 06	Linkage, rod	1
31	24 089 27	Spring, Linkage	1
32	24 090 15	Lever, Linkage	1
33	24 337 30	Jet, main	1
34	24 086 10	Screw, idle speed adj.	1
35	24 089 10	Spring, idle speed adj.	1
36	24 757 01	Kit, solenoid asm. (Includes 37-42)	1
37	24 153 06	O-Ring, solenoid	1
38	24 521 01	Seat, solenoid	1
39	24 153 05	O-Ring, solenoid	1
40	24 153 04	O-Ring, solenoid	1
41	24 435 01	Solenoid	1
42	24 086 07	Screw, sems pan hd.	2
43	24 089 11	Spring, idle adj.	1
44	24 368 01	Needle, idle adj.6	1
		<b>Not Illustrated</b>	
	24 757 03	Kit, carburetor repair	1
	24 757 07	Kit, choke repair (Includes 17)	1
	24 173 02	Cap, choke lever	1

Obtain Parts From Kohler

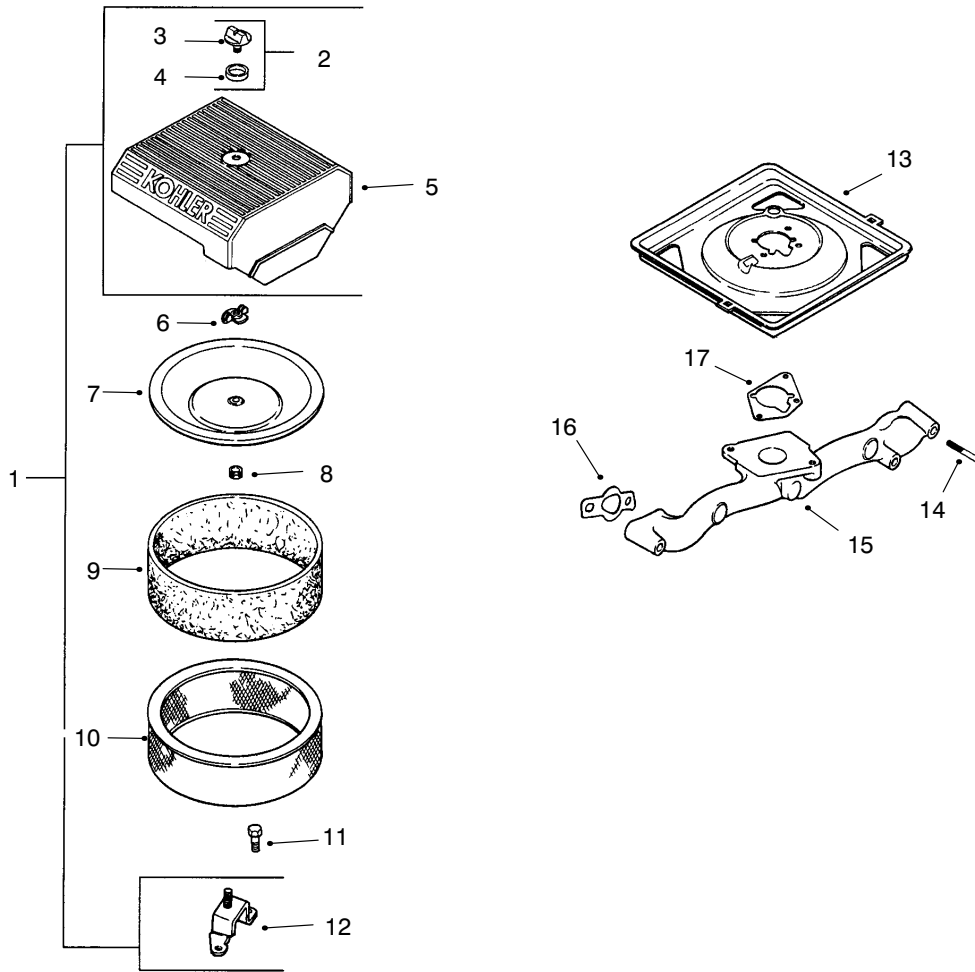


### Group 9 – Engine Controls (CH25S 68606 Kohler)

Ref. No.	Part No.	Description	No. Used
1	M-0547050	Nut, hex. lock	1
2	24 089 03	Spring, choke return	1
3	M-0645016	Screw, hex. flange	4
4	24 126 56	Bracket, control	1
5	24 468 01	Washer, plain	3
6	24 090 07	Lever, throttle actuator	1
7	12 237 01	Clamp, cable	2
8	M-0545016	Screw, hex. flange	2
9	24 090 03	Lever, throttle control	1
10	M-0446030	Nut, hex	1
11	M-0401030	Screw, hex. cap	1
12	24 079 02	Linkage, choke	1

Ref. No.	Part No.	Description	No. Used
13	24 090 05	Lever, choke	1
14	41 468 03	Washer, spring	1
15	M-0545020	Screw, hex. flange	1
16	24 089 38	Spring, throttle limiter	1
17	24 089 15	Spring, governor	1
18	SM-0642025	Screw, hex. flange	1
19	24 090 14	Lever, governor	1
20	M-0641060	Nut, hex. flange	1
21	25 158 11	Bushing, linkage retaining	1
22	24 089 01	Spring, linkage	1
23	25 158 08	Bushing, linkage retaining	1
24	24 079 01	Linkage, throttle	1

Obtain Parts From Kohler

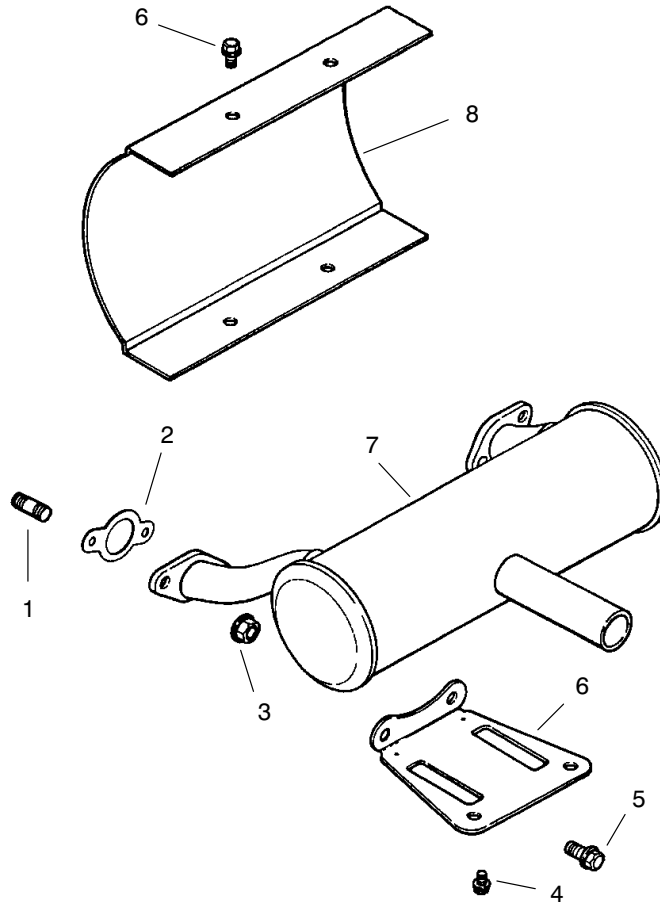


### Group 10 – Air Intake/Filtration (CH25S 68606 Kohler)

Ref. No.	Part No.	Description	No. Used
1	24 753 05	Kit, air cleaner (Includes 2-5, 12)	1
2	54 755 01	Kit, air cleaner knob (Includes 3,4)	1
3	25 341 03	Knob, cover	1
4	24 153 15	O-Ring	1
5	24 096 24	Cover, air cleaner	1
6	12 100 01	Wing Nut	2
7	24 096 01	Cover, inner air cleaner	1
8	230046	Seal, inner air cleaner	1

Ref. No.	Part No.	Description	No. Used
9	24 083 05	Precleaner, element	1
10	24 083 03	Element, air cleaner	1
11	M-0645016	Screw, hex flange	3
12	24 126 43	Bracket, air cleaner base	1
13	24 094 11	Base, air cleaner	1
14	M-0651055	Screw, hex flange	4
15	24 164 14	Manifold, intake	1
16	24 041 01	Gasket, intake manifold	2
17	24 041 06	Gasket, air cleaner base	1

Obtain Parts From Kohler



### Group 11 – Exhaust (CH25S 68606 Kohler)

Ref. No.	Part No.	Description	No. Used
1	25 072 04	Stud	4
2	24 041 02	Gasket, exhaust	2
3	M-0841080	Nut, hex flange	4
4	M-0650012	Screw, hex. flange	4
5	M-0839020		2
6	24 126 12	Bracket, muffler	1
7	24 068 17	Muffler Canister – Center Outlet	1

Ref. No.	Part No.	Description	No. Used
8	24 314 04	Shield, heat	1
		<b>Not Illustrated</b>	
	24 522 85	Short Block	1
	24 782 01	Miniblock	1
	54 755 23	Gasket Set	1

Obtain Parts From Kohler

# TORO PART NUMBER INDEX

Part No.	Pg. No.	Ref. No.	Qty.	Description	Part No.	Pg. No.	Ref. No.	Qty.	Description
E000099	6	11:1	2	Kit-Seal	E603496	10	9	2	Bushing
E000139	6	11:3	2	Kit-Bearing	E603721	6	14	1	Fitting-Tee
5-1077	15	8	1	Key	E603722	6	15	1	Fitting-Tee
E303077	8	1	6	Clamp	E603735	5	5	2	Bushing
E303105	5	1	2	Yoke	E603737	5	6	2	Bolt
E303287	11	21	5	Tie-Plastic	E603807	5	7	2	Spring
E303327	1	23	12	Washer-Lock	E603826	6	16	3	Clamp-Hose
E303327	5	2	4	Washer-Lock	E603827	6	17	5	Clamp-Hose
E303327	10	1	5	Washer-Lock	E603841	7	51	2	Pump - Hydro RH
E303327	14	25	2	Washer-Lock	E603903	5	9	4	Spacer
E303335	3	25	1	Tie-Plastic	E603987	6	18	1	Elbow
E303335	8	4	1	Tie-Plastic	E603988	6	19	1	Elbow
E303335	9	2	1	Tie-Plastic	E603989	6	20	2	Elbow
E303335	11	31	2	Tie-Plastic	E603990	6	21	4	Adapter
E303428	10	13	1	Elbow-90 DEG.	E613235	9	1	4	Washer
E303435	8	24	4	Washer	E632187	3	14	1	Frame-Seat
E303517	9	11:3	1	Decal-Belt Drive	E632191	5	10	1	Lever-Control LH
E323229	11	32	1	Clip	E632193	5	11	1	Lever-Control RH
E323235	9	36	2	Washer-Spring	E632199	12	11	2	Pin-Strut
E323236	9	37	2	Spacer	E632201	6	23	1	Arm-Pump Idler
E373034	13	8	6	Washer-Flat	E632208	5	12	2	Arm-Pump Control
E403124	10	2	1	Elbow-Street	E632217	4	5	1	Shaft-Brake
E413099	14	26	1	Pulley-Idler	E632219	1	7	1	Arm-Deck Lift
E513006	6	3	1	Filter	E632281	6	24	1	Hose ASM-Low Pressure
E513011	3	15	8	Nut	E632282	6	25	1	Hose ASM-Low Pressure
E513034	6	33:1	2	Bearing-Pivot	E632285	6	26	1	Hose ASM-Low Pressure
E513034	10	14:1	2	Bearing-Pivot	E632286	6	27	1	Hose ASM-Low Pressure
E513075	11	33	1	Switch-Solenoid	E632324	1	5	1	Lever-Lift
E513140	4	1	2	Bearing	E632469	10	14	1	Idler Arm Asm
E513152	11	15	1	Switch-Seat	E632489	4	4	1	Lever-Brake
E513167	6	5	1	Cap	E632511	2	8	2	Fork-Castor
E513180	11	16	1	Actuator-Switch	E632690	12	10	2	Strut
E513374	11	26	1	Meter-Hour	E632712	4	6	1	Brake Bracket-LH
E513435	14	4	3	Washer	E632713	4	7	1	Brake Bracket-RH
E513592	3	26	1	Knob	E632899	1	16	1	Plate-Deck Lift
E513645	8	6	2	Bushing	E632911	5	13	1	Motion Control
E513658	3	29	2	Bumper	E632912	5	14	1	Motion Control
E513747	3	11:2	1	Decal-Warning	E632923	3	11	1	Frame Weldment
E513748	9	11:2	1	Decal-Guard	E633002	211:1:1	2	2	Tire
E513762	3	24	1	Clip	E633007	3	12	2	Wheel & Tire ASM
E513762	7	56	1	Clip	E633008	3	12:2	2	Tire
E513762	8	3	1	Clip	E633009	3	12:1	2	Wheel
E513762	11	23	1	Clip	E633029	12	8	2	Rod End
E513840	6	7	2	Elbow	E633060	4	10	4	Spacer
E513890	6	2:3	1	Decal-Hydraulic Tank	E633062	4	11	4	Spacer
E513929	3	11:4	1	Decal-Drive Release	E633064	1	32	2	Spring-Deck Support
E522217	6	8	1	Hose ASM-Low Pressure	E633068	1	12	2	Arm-Deck Lift
E522424	11	11	1	Mount-Spring	E633080	1	18	1	Bushing
E523027	5	3	2	Damper	E633082	1	17	1	Bushing
E523103	6	9	1	Gasket	E633096	1	28	2	Rod-Deck Lift
E523281	11	34	1	Wire-Starter	E633097	1	20	1	Hitch Pin w/Lanyard
E523328	6	11	2	Motor-Wheel	E633099	9	9	1	Clutch
E523415	11	10	1	Spring	E633102	4	12	2	Bearing-Side Flange
E523420	9	3	2	Bumper	E633102	5	16	4	Bearing-Side Flange
E523428	3	2:6	1	4" Locking Track Set	E633110	11	29	1	Switch-Brake
E543017	5	4	2	Ball Joint	E633111	11	20	2	Switch-Drive Lever
E543070	11	25	1	Switch-Ignition	E633131	4	13	4	Yoke-Brake Linkage
E543084	11	36	1	Wire-Starter Solenoid	E633144	4	14	2	Pin-Trunnion
E543232	10	4	1	Nipple	E633152	5	17	2	Ball Joint LH
E543233	10	5	1	Cap	E633153	5	15	2	Linkage
E543277	8	7	2	Elbow	E633166	10	12	1	Belt-Drive
E543316	11	22	1	Module-Interlock	E633167	6	31	1	Pulley-Idler
E543391	11	5	1	Insulator-Battery	E633177	5	18	2	Arm
E543393	11	35	3	Insulator-Solenoid	E633179	9	10	1	Spacer
E543401	3	2:5	4	Spacer-Track	E633181	11	18	4	Plate
E543407	3	2:1	1	Cushion-Seat	E633257	5	19	2	Grip
E543456	8	8	2	Line-Fuel	E633268	4	17	1	Grip-Brake Lever
E543511	2	7	2	Seal-Grease	E633273	3	15	8	Wheel Bolt
E543513	2	1	2	Cap-Grease	E633293	3	16	1	Rod-Seat Holdup
E543792	11	3	2	Wingnut	E633295	1	6	1	Grip-Lift Lever
E603050	10	6	1	Spacer	E633306	11	6	1	Wire-Starter
E603336	3	10	1	Cable-Choke	E633307	11	4	1	Wire-Ground
E603384	6	12	1	Bushing	E633325	1	8	1	Spring-Compression
E603384	10	7	1	Bushing	E633335	6	32	2	Hose-Low Pressure
E603402	10	11	1	Spring	E633345	1	37	1	Decal-HOC
E603413	6	13	1	Spring-Extension	E633346	3	13:3	1	Decal-Fuel Valve
E603479	11	2	1	Battery	E633347	8	12	1	Valve-Fuel Line

\*Not Illustrated

# TORO PART NUMBER INDEX (Cont.)

3321-665

Part No.	Pg. No.	Qty.	Ref. No.	Description	Part No.	Pg. No.	Qty.	Ref. No.	Description
E633348	8	13	1	Fuel Line	E806800	4	28	2	Pin-Cotter
E633349	8	14	6	Spring-Fuel Tank	E807020	4	16	2	Key-Woodruff
E633354	3	11:3	2	Decal-Motion Control	E807020	6	11:2	2	Key-Woodruff
E633396	9	34	1	Clip	E807272	7	46	2	Key
E633396	11	28	3	Clip	E807513	3	22	2	Bolt-CARR
E633441	1	30	4	Swivel-Deck Mount	E808280	5	33	2	Pin-Clevis
E633447	12	3	4	Chain-Lift	E808283	4	29	2	Pin-Clevis
E633454	4	2	2	Spring-Brake	E808284	1	14	2	Pin-Clevis
E633462	9	11:4	1	Decal-Important	E808285	4	19	4	Pin-Clevis
E633466	9	17	1	Guard-Muffler	E808505	1	11	5	Ring-Retaining
E633477	4	3	3	Rod-Brake	E808514	4	30	2	E Ring Retainer
E633508	2	3	6	Washer-Belleville	E809036	4	8	2	Nut
E633543	9	5	1	Strap-Clutch	E809036	6	11:4	2	Nut
E633545	9	4	2	Spacer-Grommet	E809057	5	8	4	Screw-HSH
E633548	4	15	2	Hub-Wheel	E809076	9	35	2	Screw-HH
E633553	1	3:2	3	Pad-Antiskid	E811008	7	49	1	Fitting-Grease
E633567	6	29	1	Sheave	E811008	10	22	1	Fitting-Grease
E633568	6	28	2	Sheave	E811010	2	6	2	Plug
E633579	2	11:5	2	Spacer	E816001	11	19	2	Fuse-20 Amp
E633580	2	11:2	4	Seal-Bearing	7-0081	15	2	1	Washer-Special
E633581	2	11:4	4	Spacer - Bearing	7-4150	14	20	2	Washer
E633582	2	11:1	2	Wheel & Tire ASM	13-2840	7	45	1	Key
E633583	211:1:2		2	Wheel	14-0909	13	16	1	Deflector w/Decal
E633587	1	35	1	Handle	27-0920	14	18	2	Shaft-Spindle
E633613	9	20	2	Bracket-Guard	27-0950	14	17	3	Spacer-Bearing
E633615	9	7	1	Guard	27-0960	14	21	3	Bearing Ass'y
E633630	9	38	2	Grommet	27-5970	14	22	3	Spacer-Matched Set
E633651	11	37	2	Bolt-Battery	27-8580	15	5	1	Idler ASM
E633652	11	1	1	Strap-Hold Down	43-8480	13	1:2	1	Decal-Danger
E633673	11	27	1	Switch-PTO	44-6300	15	10	1	Idler Plate
E633693	4	9	2	Brake Band	46-8530	14	16	3	Bearing ASM
E633696	3	9	1	Cable	51-1530	13	12	2	Bracket-Hinge
E633705	3	2	1	Seat/Armrest ASM	51-1550	13	15	2	Spring
E633706	1	36	1	Decal-HOC	51-3551	14	19	1	Spindle-Shaft
E633709	3	2:2	1	Cushion-Seat Back	54-9220	13	16:2	1	Decal-Danger
E633710	3	2:3	1	Armrest-RH	57-0240	15	12	1	V-Belt
E633711	3	2:4	1	Armrest-LH	57-0260	14	2	2	Spindle Housing ASM
E633736	3	42	1	Decal-Z255	61-4160	14	15	3	Spindle-52"
E633737	1	3:5	1	Decal-Z-Master	65-2690	6	2:2	1	Decal-Hot Surface
E633749	6	30	1	Belt	65-5940	15	1	1	Pulley-Idler
E633750	6	6	1	Filter-Hydro	65-5950	15	6	1	Bushing-Pulley
E633752	6	6	1	Filter-Winter Hydro	66-1340	13	1:4	1	Decal-Discharge
E633766	1	3:3	1	Decal-Service	66-6380	13	1:5	1	Decal-Danger
E633771	3	11:5	1	Decal-Pump Belt	67-5360	13	20:1	1	Decal-Danger
E633776	6	1	2	Hose	67-5360	13	21:1	1	Decal-Danger
E633777	6	22	2	Hose	68-2730	13	7	6	Wheel-Gage
E633786	6	10	4	Elbow 90 DEG	74-0720	3	33	1	Tube-Manual
E633818	1	1:1	1	Decal	92-5816	14	5	3	Screw - Blade
E633830	9	42	1	Kohler Command Ch25	92-5836	14	12	1	Washer
E633889	1	15	1	Plate-Deck Lift	93-3101	8	5	2	Gas Cap
E633926	4	15:2	8	Stud-Wheel	93-3215	15	20	1	Baffle-Front RH
E633964	3	1	1	Stop-Park Brake	93-7340	3	34	1	Decal-Toro
E633980	4	15:1	2	Pubs	93-7818	13	1:9	1	Decal-Blade Bolt Torque
E633988	9	8	1	Spacer	94-1861	14	3	3	Blade
E634277	6	33	1	Arm ASM	98-3269	13	1:7	1	Decal-Made In USA
E634662	2	11	2	Caster Wheel ASM	98-3777	13	10	6	Spacer-Wheel
E634796	9	14	1	Shield-LH	98-3798	13	1:3	1	Decal-Gage Wheel
E634797	9	18	1	Shield-RH	98-3799	13	1:6	1	Decal-Belt Routing
E634862	9	11	1	Shield ASM	98-5954	1	3:4	1	Decal-Cover Missing
E634927	4	15	2	Wheel Hub w/Studs	98-5954	13	1:8	3	Decal-Cover Missing
E643119	11	30	1	Harness	98-5961	13	11	6	Screw-HH
E653189	14	24	1	Plate	98-5975	13	37	6	Washer
E653190	14	30	1	Spacer	98-5995	13	1:10	1	Decal-72" Deck
E653314	8	9	6	Stud - Toro	98-7923	13	39	1	Skid
E800282	11	7	1	Screw	99-2605	14	1	1	Spindle Housing ASM
E800339	2	11:6	2	Screw-HH	99-2621	13	1	1	72" Deck ASM w/Decals
E800805	7	37	1	Screw-HH	99-2622	13	20	1	Cover
E800805	10	18	1	Screw-HH	99-2623	13	21	1	Cover
E803016	7	38	4	Bolt	99-2842	13	6	6	Spacer-Wheel
E803022	5	24	2	Screw-Set	99-4601	1	1	1	Front Frame ASM
E803022	7	39	2	Screw-Set	99-4602	10	23	2	Pin-Spring Mount
E803028	11	17	8	Screw	99-4607	8	11	1	Tank-RH Fuel
E803060	3	31	2	Screw	99-4608	8	10	1	Tank-LH Fuel
E803071	8	23	4	Screw	99-4611	3	13:2	1	Decal-Control Panel
E804269	2	11:7	2	Nut-Lock	99-4615	14	13	2	Pulley Hub
E804524	5	27	2	Nut	99-4622	1	3	1	Floorpan ASM
E806005	1	21	1	Hairpin	99-4623	3	13	1	Console ASM

\*Not Illustrated

# TORO PART NUMBER INDEX (Cont.)

Part No.	Pg. No.	Ref. No.	Qty.	Description	Part No.	Pg. No.	Ref. No.	Qty.	Description
99-4624	3	11	1	Frame ASM	3234-5	15	21	8	Screw-HHF
99-4625	6	2	1	Hydraulic Tank ASM	3242-4	7	41	2	Screw-Set
99-4626	14	9	1	Pulley Hub ASM	3242-6	7	40	2	Screw-SqH Set
99-4627	15	13	1	V-Belt 147.4	3253-3	7	42	2	Washer-Lock
99-4632	8	21	1	Decal-Control Panel	3253-3	8	18	2	Washer-Lock
99-4635	3	2	1	Seat ASM w/Tracks	3253-4	8	19	4	Washer-Lock
99-4638	10	10	1	Pulley-Idler	3253-7	4	25	8	Washer-Lock
99-4656	8	2	1	Panel-Control	3253-8	12	6	2	Washer-Lock
99-4659	14	27	1	Spacer-Bracket	3256-2	5	29	2	Washer-Flat
99-4940	8	22	1	Shield-Control Panel	3256-2	9	29	4	Washer-Flat
99-5156	15	19	1	Baffle-Front	3256-2	11	8	2	Washer-Flat
249-21	13	23	4	Latch	3256-3	5	30	4	Washer-Flat
2412-120	3	30	2	Clamp-R	3256-3	7	43	1	Washer-Flat
253-139	14	14	6	Seal-Oil	3256-3	9	30	1	Washer-Flat
254-72	2	5	4	Cup-Bearing	3256-4	4	26	4	Washer-Flat
254-78	2	11:3	4	Cone-Bearing	3256-4	7	44	1	Washer-Flat
254-79	211:1:3		4	Cup-Bearing	3256-4	10	24	1	Washer-Flat
254-94	2	4	4	Cone-Bearing	3256-7	1	31	2	Washer-Flat
302-2	14	10	3	Fitting-Grease	3256-7	1	34	2	Washer-Flat
302-19	4	21	2	Fitting-Grease	3256-23	3	44	6	Washer-Flat
302-19	12	4	2	Fitting-Grease	3256-23	5	31	4	Washer-Flat
320-19	1	1:2	5	Fitting-Grease	3256-23	8	20	10	Washer-Flat
321-3	7	50	2	Screw-HH	3256-24	1	9	3	Washer-Flat
321-3	8	15	2	Screw-HH	3256-24	10	20	4	Washer-Flat
321-4	3	27	1	Screw-HH	3256-24	14	8	A/R	Washer-Flat
321-4	6	34	2	Screw-HH	3256-27	1	34	4	Washer-Flat
321-4	9	22	10	Screw-HH	3256-27	15	4	1	Washer-Flat
321-4	11	12	8	Screw-HH	3256-28	4	31	2	Washer-Flat
321-6	11	24	1	Screw-HH	3256-29	1	27	4	Washer-Flat
322-3	3	4	8	Screw-HH	3272-5	5	32	2	Pin-Cotter
322-3	8	16	4	Screw-HH	3272-10	1	13	2	Pin-Cotter
322-3	12	12	2	Screw-HH	3272-10	4	27	7	Pin-Cotter
322-5	3	17	1	Screw-HH	3290-321	13	24	8	Screw-HH
322-6	5	20	4	Screw-HH	3290-357	1	24	17	Nut-Lock Flange
322-6	9	39	1	Screw-HH	3290-357	4	24	4	Nut-Lock Flange
322-19	9	40	1	Screw-Hex	3290-357	5	35	8	Nut-Lock Flange
323-4	4	18	4	Screw-HH	3290-357	7	47	8	Nut-Lock Flange
323-4	5	21	8	Screw-HH	3290-357	9	32	4	Nut-Lock Flange
323-4	13	38	4	Screw-HH	3290-357	10	21	10	Nut-Lock Flange
323-6	1	25	3	Screw-HH	3290-357	13	9	22	Nut-Lock Flange
323-6	3	5	2	Screw-HH	3290-357	14	28	1	Nut-Lock Flange
323-6	5	22	4	Screw-HH	3290-357	15	9	2	Nut-Lock Flange
323-6	9	24	6	Screw-HH	3296-5	15	11	1	Nut-Lock
323-7	1	26	12	Screw-HH	3296-29	8	17	6	Nut-Lock
323-8	6	35	1	Screw-HH	3296-29	9	41	1	Nut-Lock
323-9	1	22	2	Screw-HH	3296-33	15	3	1	Nut-Lock
323-9	5	23	6	Screw-HH	32128-17	13	25	8	Nut-Lock
323-9	7	36	1	Screw-HH	32128-20	3	23	12	Nut-Lock
323-9	10	16	5	Screw-HH	32128-20	5	34	4	Nut-Lock
323-11	14	29	1	Screw	32128-20	9	31	1	Nut-Lock
323-13	1	19	1	Screw-HH	32128-20	11	9	2	Nut-Lock
323-13	10	17	1	Screw-HH	32128-20	12	13	2	Nut-Lock
323-14	10	15	2	Screw	32128-20	15	22	8	Nut-Lock
323-21	3	18	2	Screw-HH	32128-21	14	7	18	Nut-HHF
323-42	14	23	2	Screw-HH	32128-33	3	28	1	Nut-Hex Flange
324-6	12	2	8	Screw-HH	32128-33	5	36	4	Nut-Hex Flange
325-17	13	18	2	Screw-HH	32128-33	7	48	2	Nut-Hex Flange
325-20	4	20	8	Screw-HH	32128-33	9	33	7	Nut-Hex Flange
327-11	12	8	2	Screw-HH	32128-33	11	13	11	Nut-Hex Flange
3211-8	15	7	1	Screw-HH	32128-37	12	1	16	Nut-Lock
3212-10	9	25	1	Screw	32146-2	1	10	7	Nut-Hex Lock
3217-9	4	22	8	Nut-HH	32146-2	3	21	4	Nut-Hex Lock
3217-11	1	29	8	Nut	32146-2	5	25	6	Nut-Hex Lock
3217-11	12	5	2	Nut	32146-2	10	19	1	Nut-Hex Lock
3218-6	1	33	4	Nut-Hex Jam	32146-4	3	20	2	Nut-Lock
3219-2	5	26	10	Nut	32146-14	2	2	2	Nut-Lock
3219-3	4	23	8	Nut-Hex	32146-17	9	27	4	Nut-Lock
3219-6	12	9	2	Nut-Hex	32146-18	3	19	2	Nut-Lock
3220-2	5	28	2	Nut-Jam	32146-20	14	11	3	Nut-Lock
3231-22	13	40	2	Bolt-CARR	32153-5	13	19	2	Nut-Lock
3231-22	14	6	18	Bolt-CARR					
3231-27	13	13	4	Screw-CARR					

\*Not Illustrated