



**Count on it.**

**Parts Catalog**

**TimeCutter® SS 4225**

**Riding Mower**

Model No. 74726—Serial No. 40000000 and Up



# Ordering Replacement Parts

To order replacement parts, please supply the part number, the quantity, and the description of each part desired.

## Understanding Reference Numbers

Each identified part in an illustration has a reference number. The reference number for a part also appears in the parts list, along with other information about the part.

This catalog uses two special reference number formats, one to indicate parts in a service assembly and another to indicate the quantity of a given part in an illustration.

## Service Assembly Reference Numbers

Parts in service assemblies have reference numbers in the form a:b. The a represents the reference number of the entire service assembly and the b represents a sequential number unique to each part within the service assembly.

For example, a wheel assembly might be identified by reference number 6, the tire by 6:1, the valve by 6:2, and the wheel by 6:3. When you order the assembly identified by reference number 6, you receive all parts identified by reference numbers 6:1, 6:2, and 6:3. However, you may also order any part individually. Reference numbers of this type appear in illustration and in parts lists.

## Reference Numbers Indicating Quantity

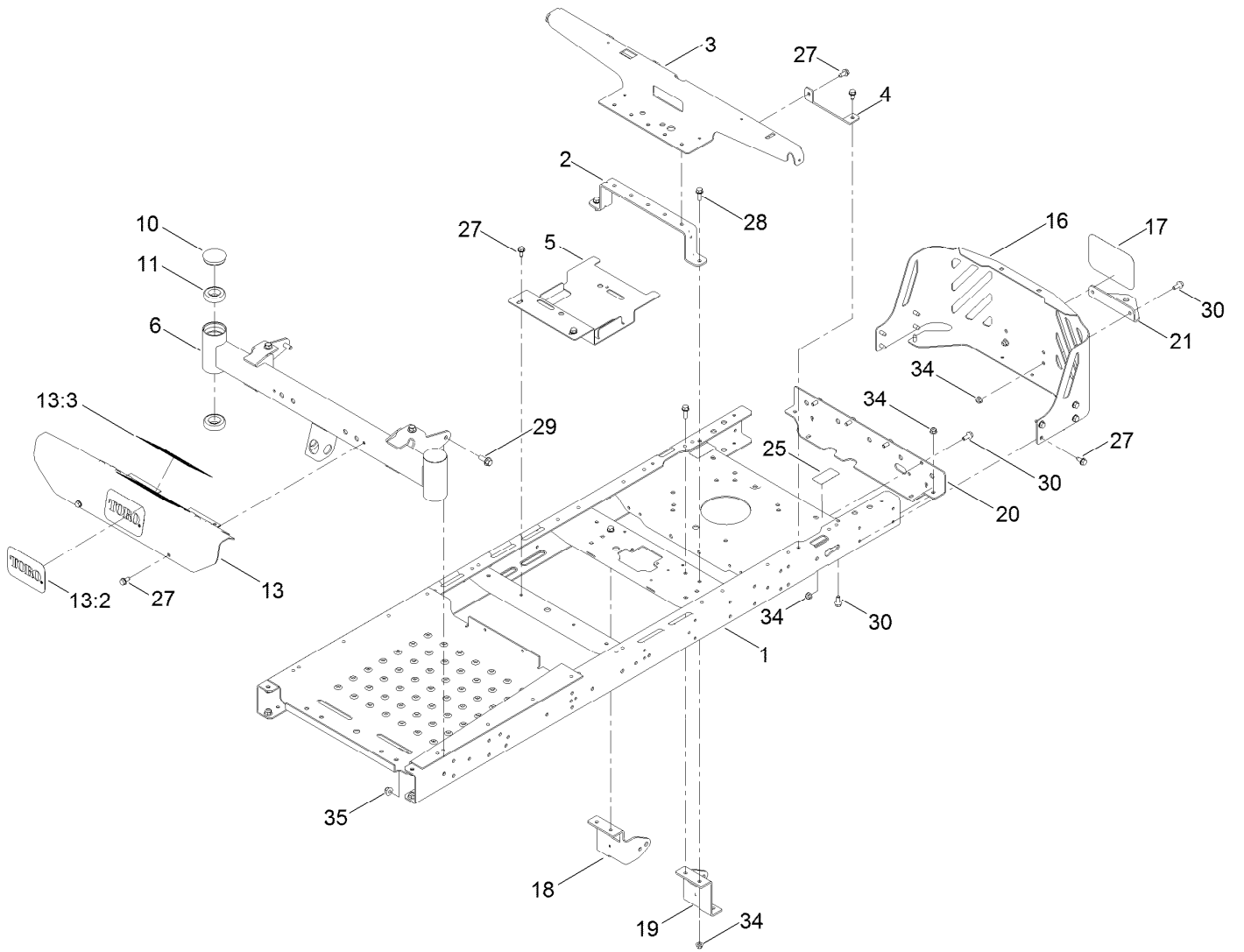
In an illustration, if a reference number indicates more than one part, the reference number has the form nX y. The n represents the quantity of the part, the X is the multiplication symbol, and the y represents the reference number.

For example, in an illustration, the reference number 2X 37 means that two of the parts identified by reference number 37 are indicated.

# Contents

Frame Assembly	4
Deck Lift Assembly	6
Fork and Caster Wheel Assembly	8
Traction Drive Assembly	10
Left Hand Hydro Transaxle Assembly No. 119-3330	12
Right Hand Hydro Transaxle Assembly No. 119-3331	14
Brake Assembly	16
Tire Assembly No. 131-3671	18
Seat Assembly	20
Motion Control Assembly	22
Engine and Muffler Assembly	24
Fuel System Assembly with Non-Canister Style Air Filter	26
Carburetor Assembly with Non-Canister Style Air Filter	28
Air Intake and Filtration Assembly with Non-Canister Style Air Filter	30
Ignition and Electrical Assembly	32
Crankcase and Crankshaft Assembly	34
Governor Control Assembly	36
Piston and Cylinder Head Assembly	38
Blower Housing Assembly	40
Gasket and Seal Kit	42
Body Styling and Fuel Tank Assembly	44
Battery and Electrical Assembly	46
42 Inch Deck Assembly	48
42 Inch Decal Assembly No. 137-7041	50
Model Specific Decal Assembly	52
Speed Control Decal, HOC Decal and Service Decal Assembly	54
Clutch Assembly	56
Attachments and Accessories	58

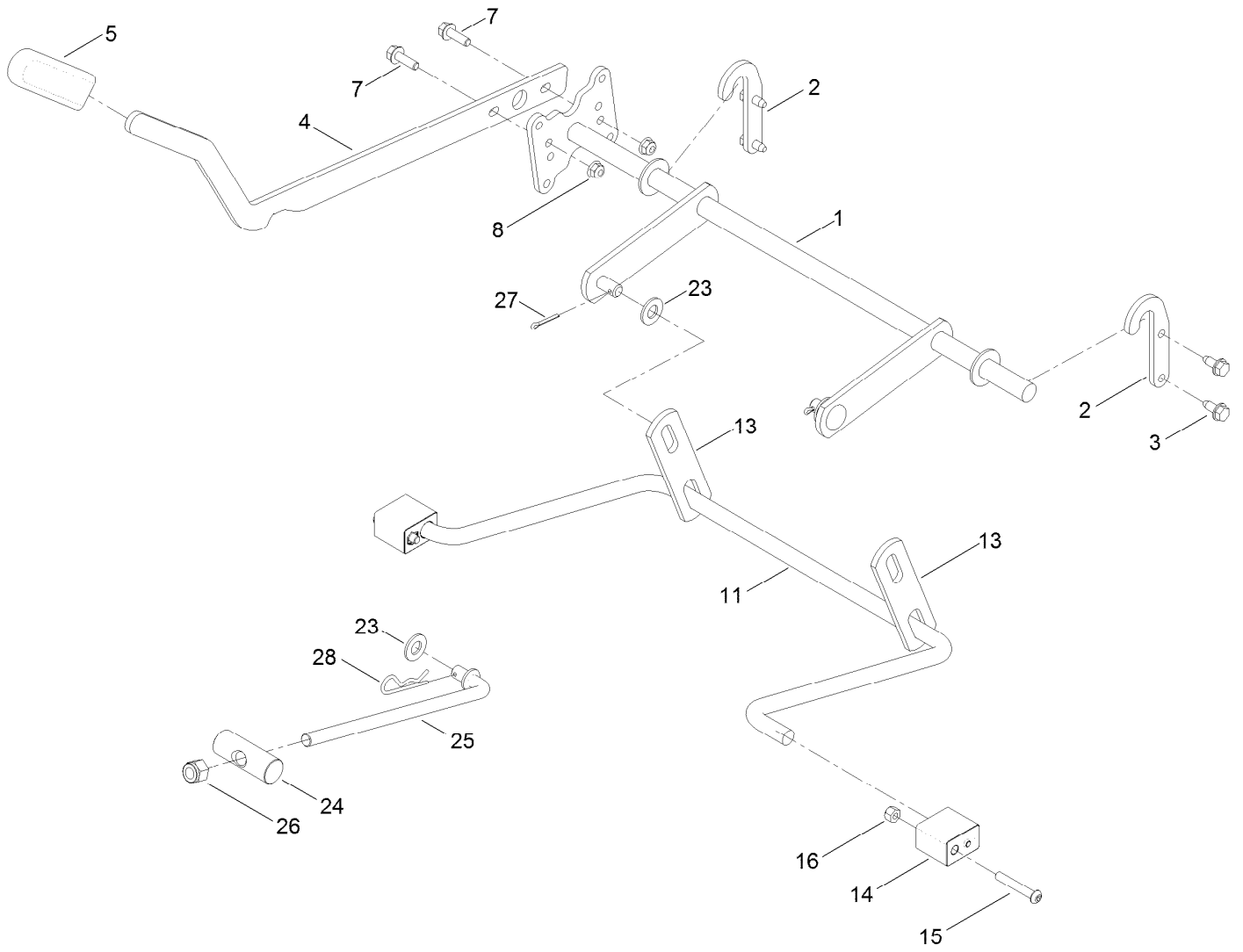
# Frame Assembly



## Frame Assembly (continued)

<i>Ref.</i>	<i>Part Number</i>	<i>Qty.</i>	<i>Description</i>	<i>Ref.</i>	<i>Part Number</i>	<i>Qty.</i>	<i>Description</i>
1	135-0509-01	1	Frame ASM	17	99-4693	1	Decal
2	135-0686-03	1	Brace-Seat, Rear (Narrow)	18	137-7020-01	1	Mount-Hydro, Front (Right)
3	131-1040-03	1	Support-Pod	19	137-7021-01	1	Mount-Hydro, Front (Left)
4	119-3431-03	2	Support-Tank, Rear	20	130-6950-01	1	Crossmember-Rear, Narrow
5	135-0507-03	1	Bracket-Battery	21	117-1232-03	1	Bracket-Hitch
6	125-1742-01	1	Axle-Front, Narrow	25	121-2989	2	Decal-Bypass
10	116-4348	2	Cap-Grease	27	32144-70	18	Screw-HWHTF
11	109-3678	4	Bearing-Ball	28	3234-29	4	Screw-HHF
13	132-0890	1	Footrest ASM	29	3234-42	6	Screw-HHF
13:2	105-8278	1	Decal	30	3234-47	8	Screw-HHF
13:3	132-0869	1	Decal-Danger	34	104-8300	12	Nut-HF, NI
16	127-3353-03	1	Guard-Engine, Narrow	35	104-8301	6	Nut-HF, NI

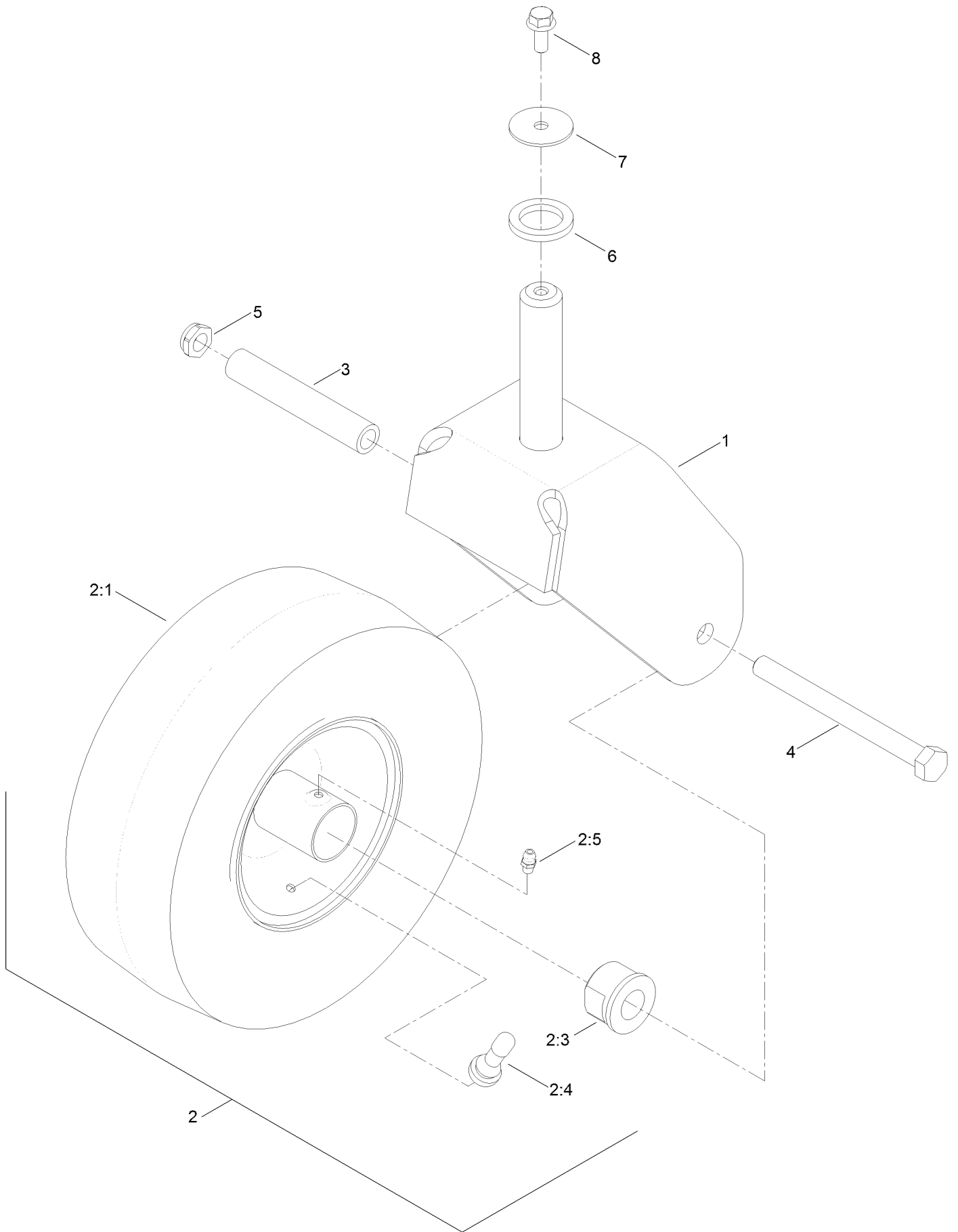
# Deck Lift Assembly



## Deck Lift Assembly (continued)

<i>Ref.</i>	<i>Part Number</i>	<i>Qty.</i>	<i>Description</i>	<i>Ref.</i>	<i>Part Number</i>	<i>Qty.</i>	<i>Description</i>
1	132-6872-03	1	Lift-Deck, Narrow	14	108-7845	2	Block-Pivot
2	119-8875	2	Bracket-Lift	15	120-5499	2	Screw-HSBH
3	32144-70	4	Screw-HWHTF	16	3296-29	2	Nut-Lock, NI
4	119-3427-03	1	Lever-Lift	23	3256-26	3	Washer-Flat
5	1-633268	1	Grip-Lever	24	119-8810	1	Pin-Pivot
7	3234-29	2	Screw-HHF	25	133-4319	1	Rod-Mount, Deck
8	104-8300	2	Nut-HF, NI	26	3296-19	1	Nut-Hex
11	108-7839	1	Arm-Lift, Rear	27	3272-11	2	Pin-Cotter
13	108-7840	2	Link-Lift	28	1-806005	1	Pin-Cotter

# Fork and Caster Wheel Assembly





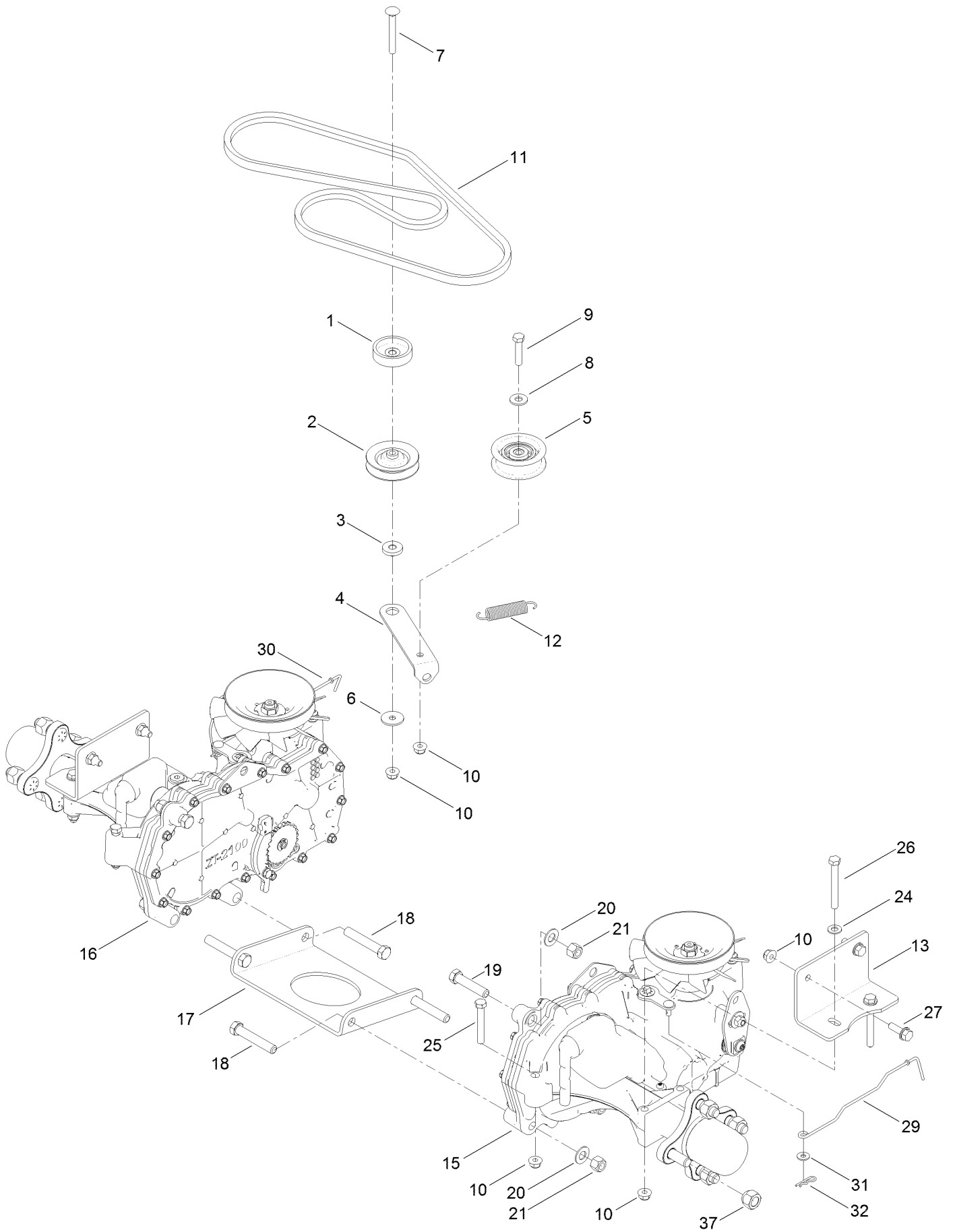
## Fork and Caster Wheel Assembly (continued)

<i>Ref.</i>	<i>Part Number</i>	<i>Qty.</i>	<i>Description</i>	<i>Ref.</i>	<i>Part Number</i>	<i>Qty.</i>	<i>Description</i>
1	120-2266-01	2	Fork-Caster	3	104-3667	2	Bushing-Spanner
2	130-0736	2	Caster Wheel ASM	4	325-22	2	Screw-HH
2:1	130-0735	1	Tire	5	3296-45	2	Nut-Hex
2:3	114-1640	2	Bushing-Flange	6	117-7394	2	Washer-Thrust
2:4	232-27	1	Stem-Valve	7	3256-68	2	Washer-Flat
2:5	302-5	1	Fitting-Grease	8	3234-47	2	Screw-HHF
2:6	105-0844	1	Tube-Inner ■●				

● Not illustrated

■ Optional Equipment

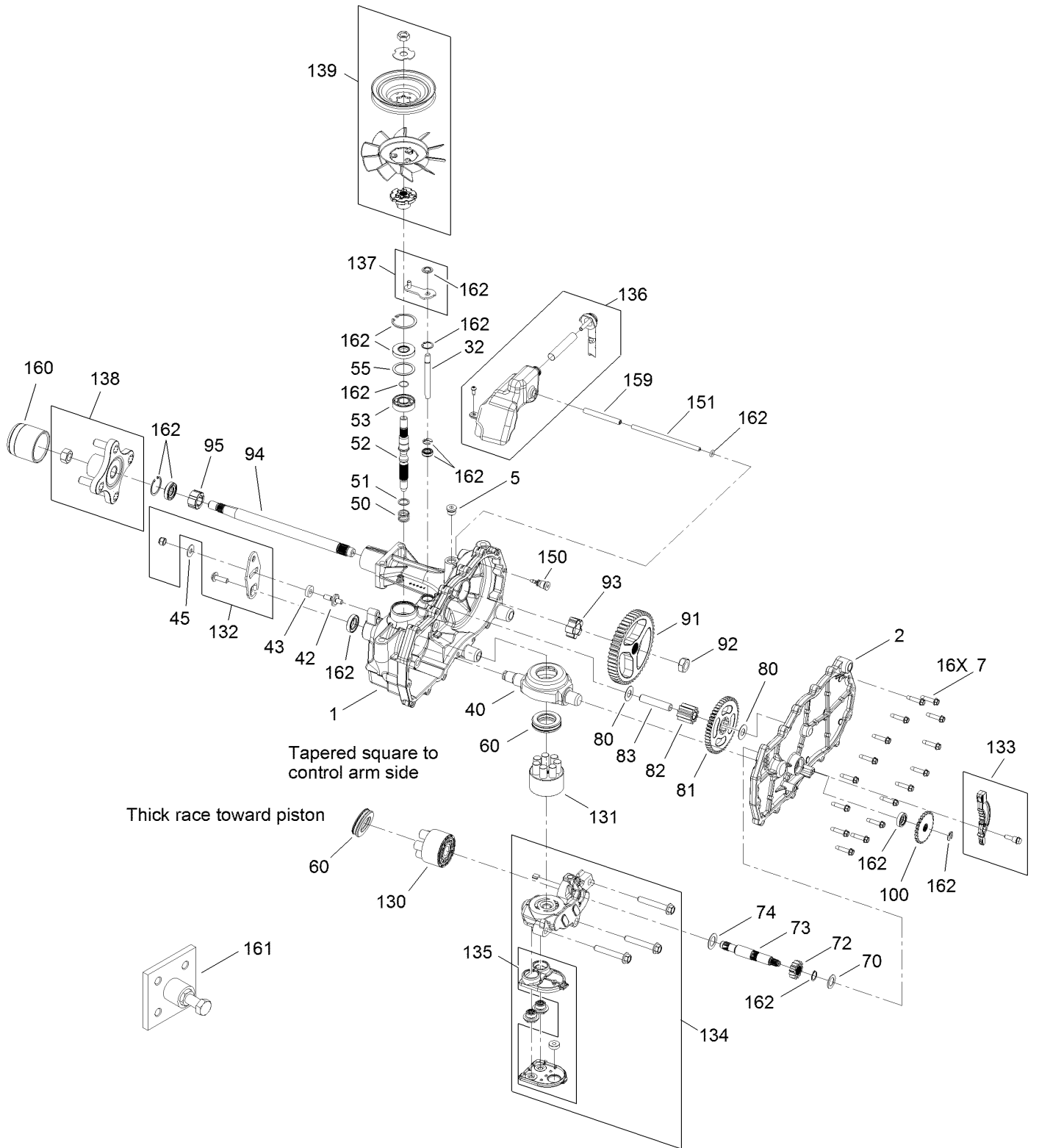
# Traction Drive Assembly



## Traction Drive Assembly (continued)

<i>Ref.</i>	<i>Part Number</i>	<i>Qty.</i>	<i>Description</i>	<i>Ref.</i>	<i>Part Number</i>	<i>Qty.</i>	<i>Description</i>
1	119-3353	1	Spacer	17	119-3339-03	1	Plate-Cross, Hydro
2	119-8822	1	Pulley-Idler	18	324-10	4	Screw-HH
3	119-3327	1	Spacer-Arm, Idler	19	324-8	2	Screw-HH
4	119-3326	1	Arm-Idler	20	3256-25	6	Washer-Flat
5	106-2176	1	Pulley-Idler	21	3296-48	6	Nut-Lock, NI
6	5-4460	1	Washer-Pivot	24	3256-23	6	Washer-Plain
7	3230-8	1	Screw-CARR	25	322-11	4	Screw-HH
8	3256-3	1	Washer-Flat	26	322-13	4	Screw-HH
9	322-7	1	Screw-HH	27	3234-29	4	Screw-HHF
10	104-8300	14	Nut-HF, NI	29	131-0900	1	Rod-Bypass, LH
11	130-6975	1	V-Belt	30	130-7049	1	Rod-Bypass, RH
12	104-6415	1	Spring-Return, Pedal	31	119-8952	2	Washer
13	117-7264-03	2	Mount-Hydro	32	3290-307	2	Pin-Cotter
15	119-3330	1	LH Hydro Transaxle ASM	37	242-50	8	Nut-Lug
16	119-3331	1	RH Hydro Transaxle ASM				

# Left Hand Hydro Transaxle Assembly No. 119-3330

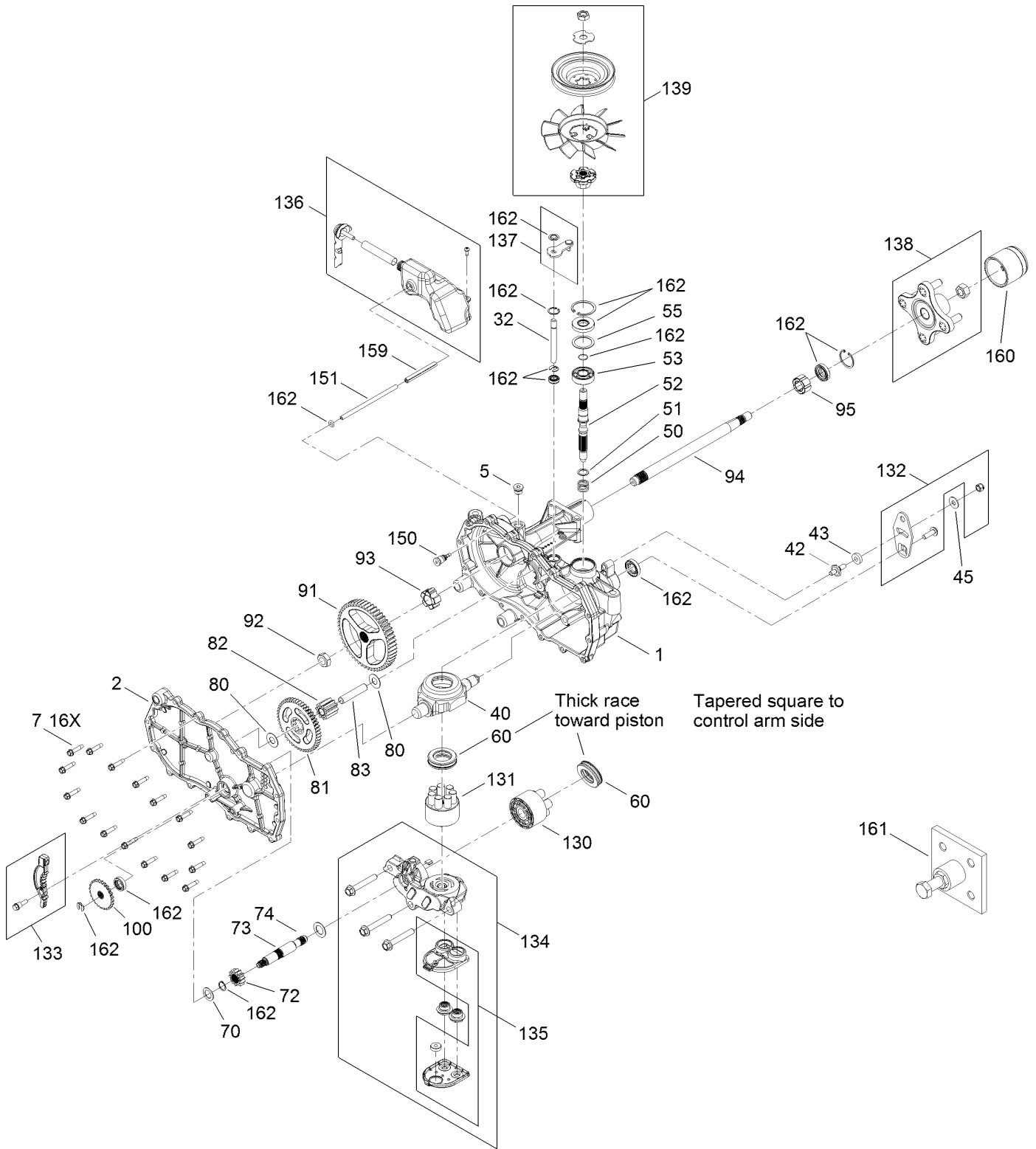


# Left Hand Hydro Transaxle Assembly No. 119-3330 (continued)

<i>Ref.</i>	<i>Part Number</i>	<i>Qty.</i>	<i>Description</i>	<i>Ref.</i>	<i>Part Number</i>	<i>Qty.</i>	<i>Description</i>
1	120-5532	1	Main Housing ASM	83	104-5329	1	Pin-Jackshaft
2	120-5534	1	Housing Side Kit	91	120-5539	1	Gear-Bull
5	104-2189	1	Plug-Thread, Straight	92	104-2142	1	Nut-HJ
7	117-5359	16	Screw-HHF	93	115-8314	1	Bushing-Inboard
13	104-2147	1	Sealant ●	94	120-5540	1	Shaft-Axle
32	106-8678	2	Rod-Bypass	95	120-5541	1	Bearing-Sleeve
40	104-5304	1	Swashplate-Trunnion	100	106-8694	1	Disc-Brake, Cog
42	104-2116	1	Stud	130	103-2666	1	Cylinder Block Kit
43	112-9853	1	Puck-Friction	131	110-8561	1	Pump Block ASM
45	114-8491	1	Washer	132	117-5362	1	Control Arm Kit
50	120-5537	1	Spring-Compression	133	106-8688	1	Brake Arm Kit
51	120-5538	1	Washer	134	112-9861	1	Center Section Filter Kit
52	104-5306	1	Shaft-Input	135	114-1634	1	Filter Kit
53	104-5311	1	Bearing-Ball	136	121-5730	1	RH Expansion Tank Kit
55	104-5308	1	Spacer	137	120-5549	1	Bypass Kit
60	94-6922	1	Bearing-Thrust	138	121-5731	1	Hub Kit
70	104-5339	1	Washer-Flat	139	121-5729	1	Fan Pulley Kit
72	104-5316	1	Gear-Pinion, 13T	150	104-5349	1	Fitting-SAE
73	106-8683	1	Shaft-Motor	151	115-8302	1	Hose
74	104-5360	1	Washer	159	121-5728	1	Case-Tube
80	119-5541	2	Washer	160	125-0041	1	Cap-Axle
81	104-5317	1	Gear-10T/48T	161	114-8467	1	Puller-Hub, 4 Bolt
82	104-5318	1	Gear-Jackshaft, 10T	162	120-7103	1	Seal And Ring Kit

● Not illustrated

# Right Hand Hydro Transaxle Assembly No. 119-3331

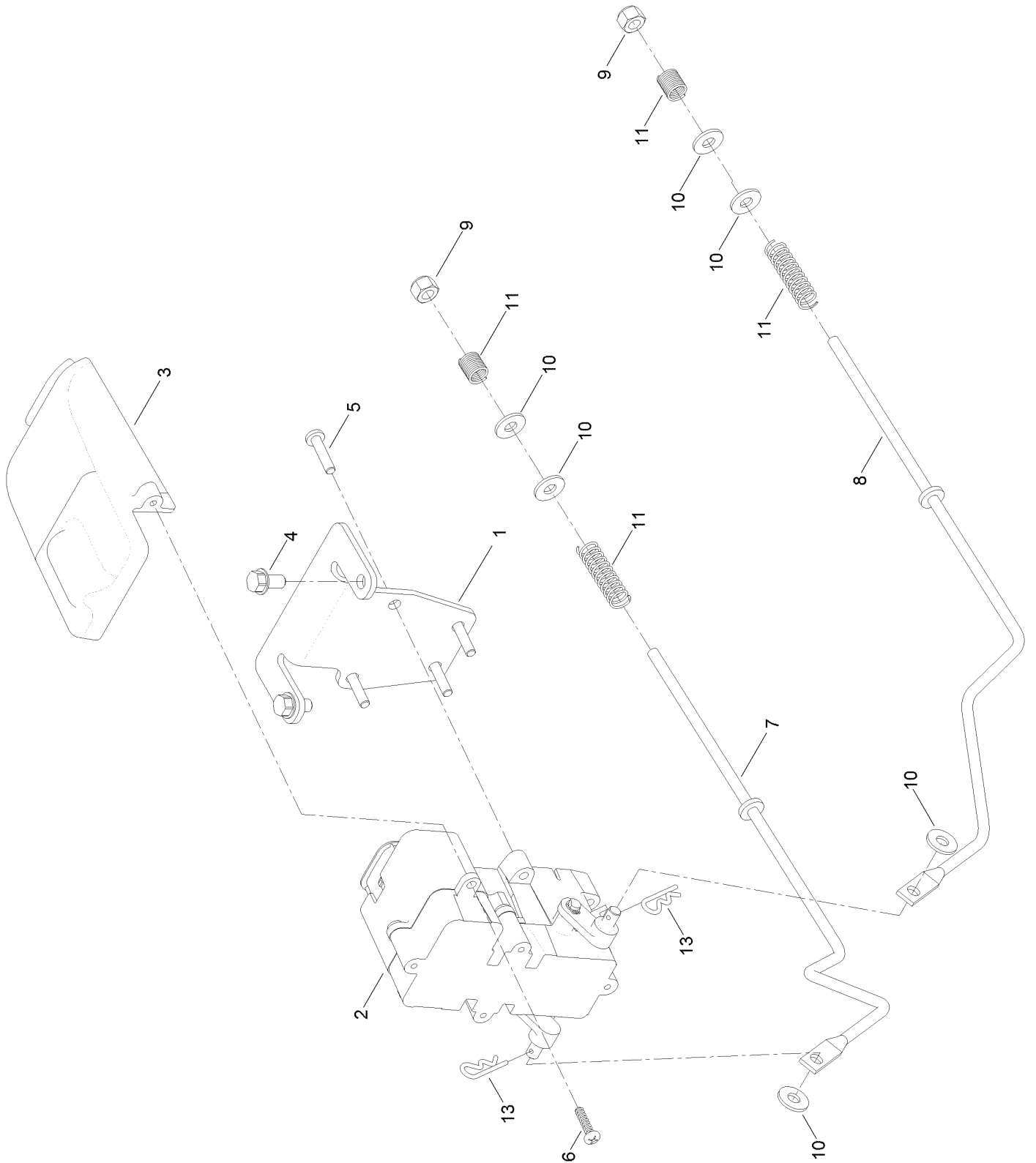


# Right Hand Hydro Transaxle Assembly No. 119-3331 (continued)

<i>Ref.</i>	<i>Part Number</i>	<i>Qty.</i>	<i>Description</i>	<i>Ref.</i>	<i>Part Number</i>	<i>Qty.</i>	<i>Description</i>
1	120-5531	1	Main Housing ASM	83	104-5329	1	Pin-Jackshaft
2	120-5533	1	Housing Side Kit	91	120-5539	1	Gear-Bull
5	104-2189	1	Plug-Thread, Straight	92	104-2142	1	Nut-HJ
7	117-5359	16	Screw-HHF	93	115-8314	1	Bushing-Inboard
13	104-2147	1	Sealant ●	94	120-5540	1	Shaft-Axle
32	106-8678	2	Rod-Bypass	95	120-5541	1	Bearing-Sleeve
40	104-5304	1	Swashplate-Trunnion	100	106-8694	1	Disc-Brake, Cog
42	104-2116	1	Stud	130	103-2666	1	Cylinder Block Kit
43	112-9853	1	Puck-Friction	131	110-8561	1	Pump Block ASM
45	114-8491	1	Washer	132	117-5362	1	Control Arm Kit
50	120-5537	1	Spring-Compression	133	106-8688	1	Brake Arm Kit
51	120-5538	1	Washer	134	112-9862	1	Center Section Filter Kit
52	104-5306	1	Shaft-Input	135	114-1634	1	Filter Kit
53	104-5311	1	Bearing-Ball	136	121-5735	1	LH Expansion Tank Kit
55	104-5308	1	Spacer	137	107-2489	1	Bypass Arm Kit
60	94-6922	1	Bearing-Thrust	138	121-5731	1	Hub Kit
70	104-5339	1	Washer-Flat	139	121-5729	1	Fan Pulley Kit
72	104-5316	1	Gear-Pinion, 13T	150	104-5349	1	Fitting-SAE
73	106-8683	1	Shaft-Motor	151	115-8302	1	Hose
74	104-5360	1	Washer	159	121-5728	1	Case-Tube
80	119-5541	2	Washer	160	125-0041	1	Cap-Axle
81	104-5317	1	Gear-10T/48T	161	114-8467	1	Puller-Hub, 4 Bolt
82	104-5318	1	Gear-Jackshaft, 10T	162	120-7103	1	Seal And Ring Kit

● Not illustrated

# Brake Assembly

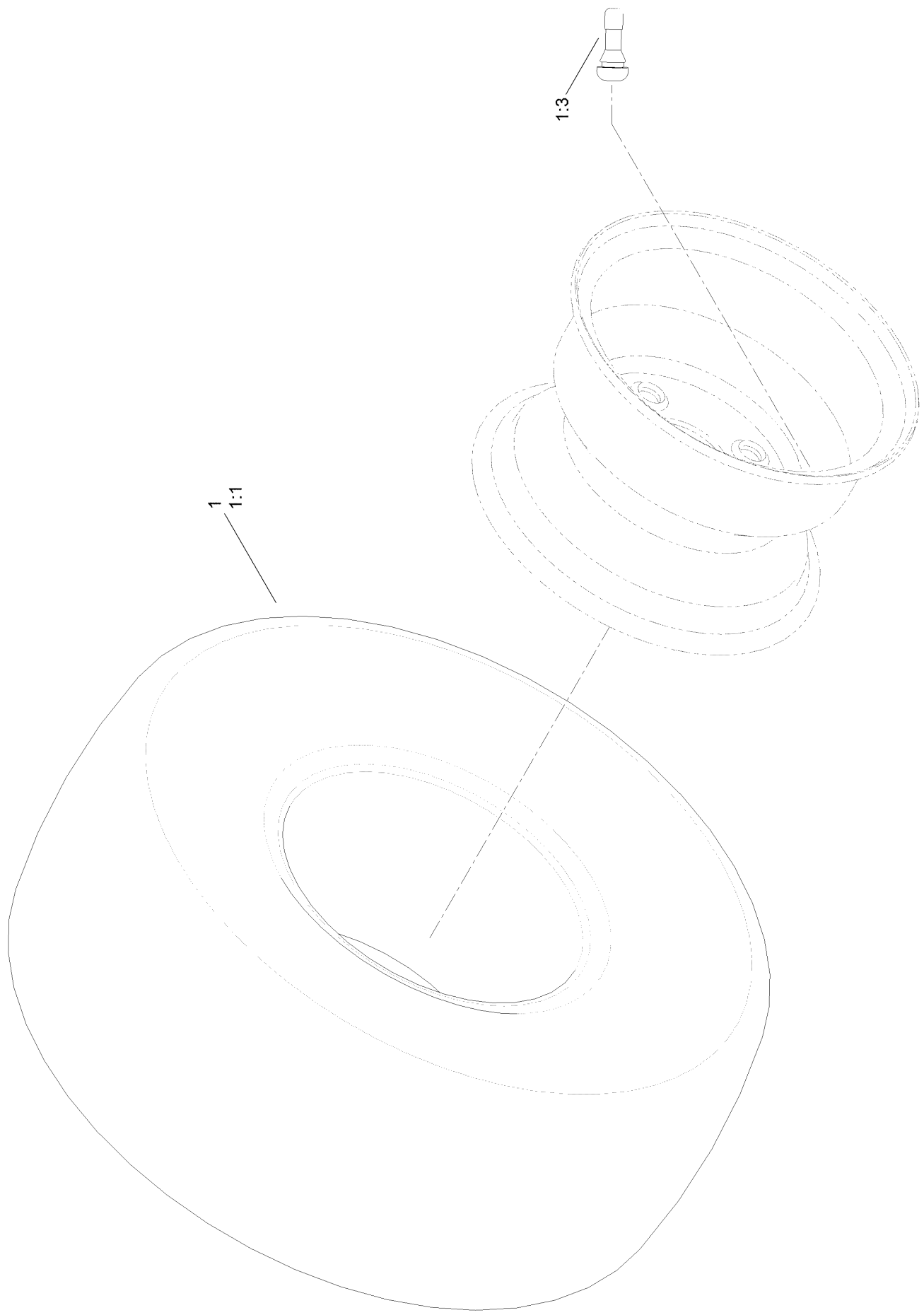




## Brake Assembly (continued)

<i>Ref.</i>	<i>Part Number</i>	<i>Qty.</i>	<i>Description</i>	<i>Ref.</i>	<i>Part Number</i>	<i>Qty.</i>	<i>Description</i>
1	130-0790-03	1	Bracket-Mount, Brake	7	121-2974	1	Rod-Brake, RH
2	136-4213	1	Brake Box ASM	8	121-2975	1	Rod-Brake, LH
3	132-6949	1	Cover-Connector	9	3296-42	2	Nut-Lock, NI
4	32144-4	2	Screw-HWH	10	119-8952	6	Washer
5	32144-36	4	Screw-PPH	11	117-1169	4	Spring-Compression
6	94-4496	2	Screw-PPH	13	3290-307	2	Pin-Cotter

# Tire Assembly No. 131-3671



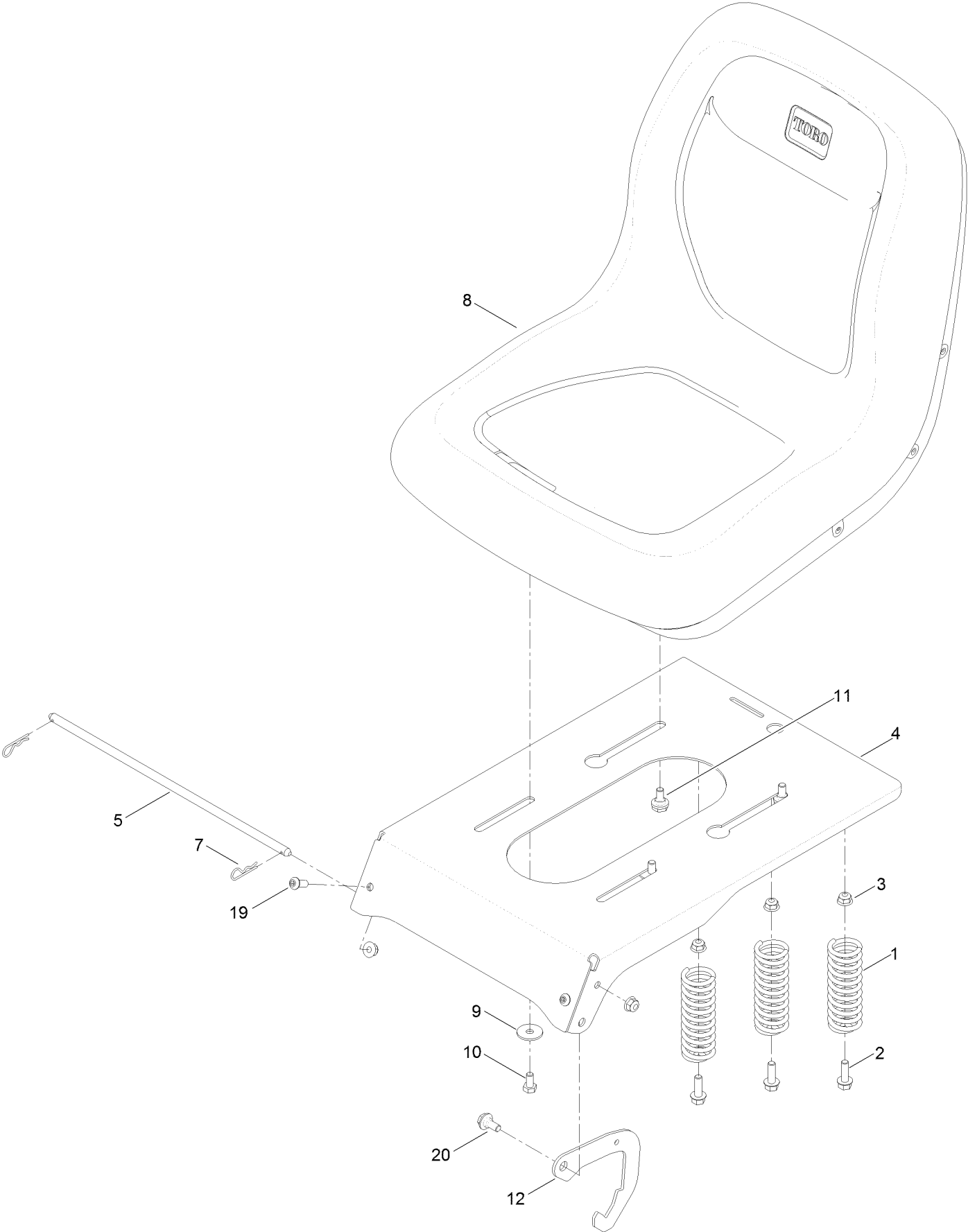
## Tire Assembly No. 131-3671 (continued)

<i>Ref.</i>	<i>Part Number</i>	<i>Qty.</i>	<i>Description</i>
1	131-3671	2	2 Ply Wheel And Tire ASM
1:1	131-3678	1	Tire-2 Ply

<i>Ref.</i>	<i>Part Number</i>	<i>Qty.</i>	<i>Description</i>
1:3	232-27	1	Stem-Valve
1:99	107-2491	1	Tube-Tire ●

● Not illustrated

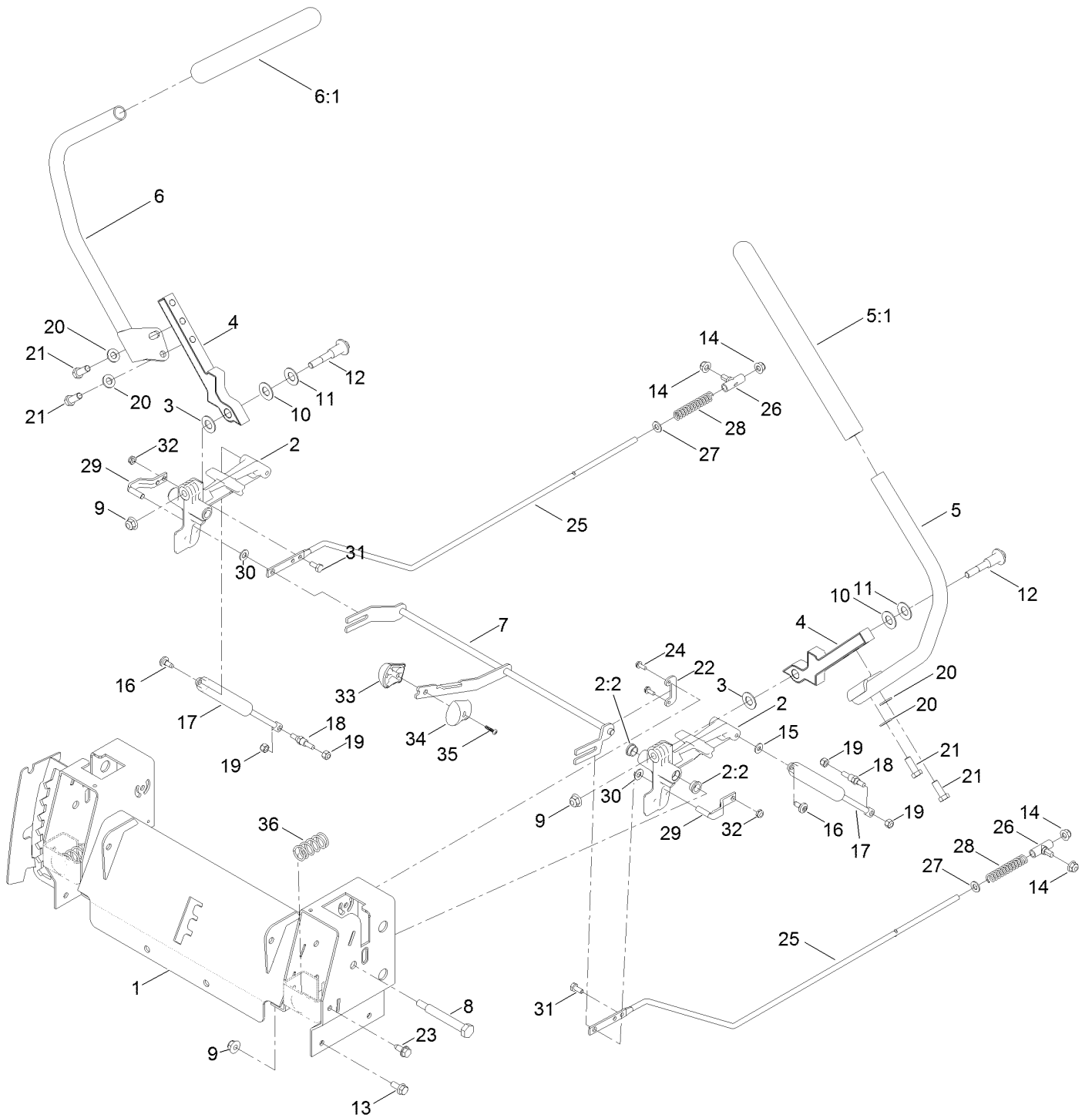
# Seat Assembly



## Seat Assembly (continued)

<i>Ref.</i>	<i>Part Number</i>	<i>Qty.</i>	<i>Description</i>	<i>Ref.</i>	<i>Part Number</i>	<i>Qty.</i>	<i>Description</i>
1	92-7054	3	Spring-Compression	9	5-4460	2	Washer-Pivot
2	3234-29	3	Screw-HHF	10	322-2	2	Screw-HH
3	104-8300	5	Nut-HF, NI	11	37-8771	2	Bolt-Shoulder
4	131-4037-01	1	Pan-Seat	12	132-9353	1	Latch-Seat
5	119-3433	1	Rod-Pivot, Narrow	19	3274-55	2	Screw-HSBH
7	3290-250	2	Pin-Cotter	20	19-1470	1	Screw-Shoulder
8	119-8829	1	Seat-18 Inch				

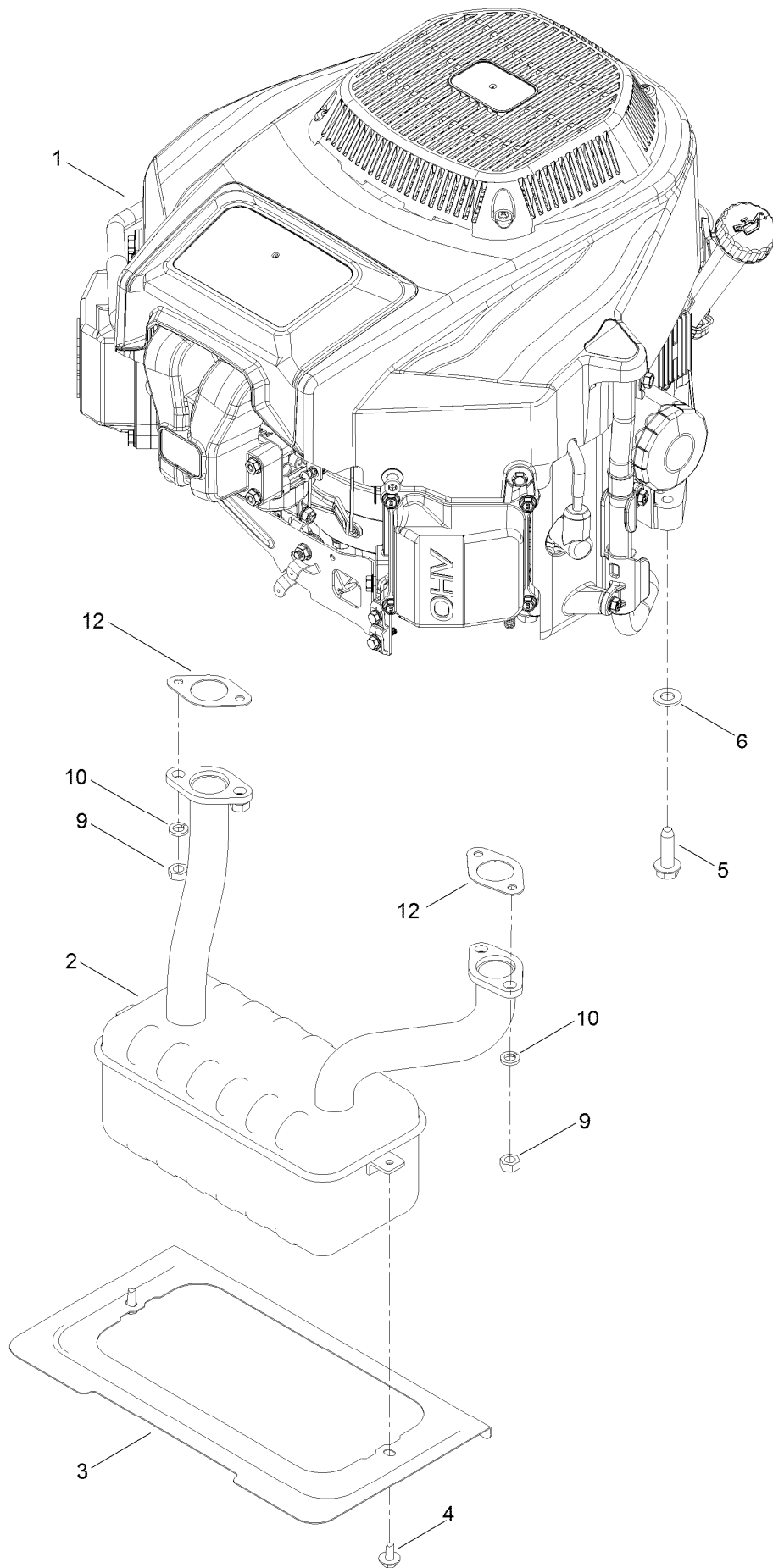
# Motion Control Assembly



## Motion Control Assembly (continued)

<i>Ref.</i>	<i>Part Number</i>	<i>Qty.</i>	<i>Description</i>	<i>Ref.</i>	<i>Part Number</i>	<i>Qty.</i>	<i>Description</i>
1	136-4156-03	1	Control Box ASM	18	110-6810	2	Stud-Damper
2	119-3470	2	Actuator Arm ASM	19	3296-42	4	Nut-Lock, NI
2:2	256-156	2	Bushing-Flange	20	3256-24	4	Washer-Flat
3	120-2273	2	Washer-Nylon	21	323-6	4	Screw-HH
4	133-9299-05	2	Arm-Control	22	117-5385	2	Retainer
5	133-7055	1	Handle-Control, LH	23	32144-70	4	Screw-HWHTF
5:1	121-0726	1	Grip	24	32144-1	4	Screw-Taptite
6	133-7057	1	Handle-Control, RH	25	117-5388	2	Rod-Hydro
6:1	121-0726	1	Grip	26	119-8842	2	Mount-Rod, Hydro
7	133-9300	1	Speed Control ASM	27	3256-23	2	Washer-Plain
8	115-5099	2	Bolt-Pivot	28	1-603807	2	Spring-Return, Neutral
9	104-8301	4	Nut-HF, NI	29	121-1753	2	Pin-Rod, Hydro
10	117-1240	2	Washer	30	93-6079	2	Spacer-Nylon
11	119-8925	2	Washer-Belleville	31	321-3	2	Screw-HH
12	117-1198	2	Bolt-Pivot	32	3296-56	2	Nut-Lock, NI
13	3234-47	6	Screw-HHF	33	132-9368	1	Knob-RH
14	104-8300	10	Nut-HF, NI	34	132-9369	1	Knob-LH
15	119-8952	2	Washer	35	94-4496	1	Screw-PPH
16	120-7950	2	Screw-Shoulder	36	119-8876	2	Spring-Return
17	131-4132	2	Damper				

# Engine and Muffler Assembly

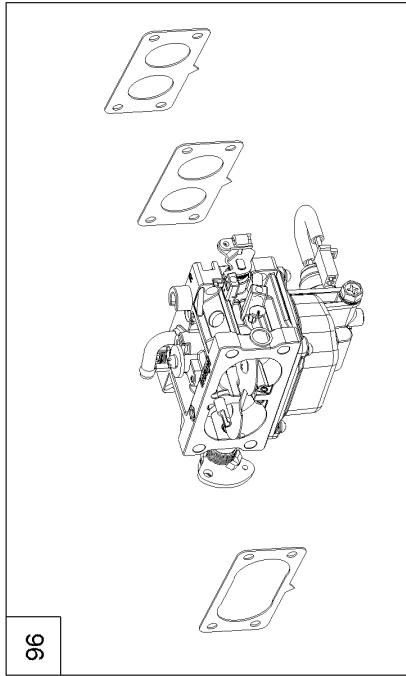




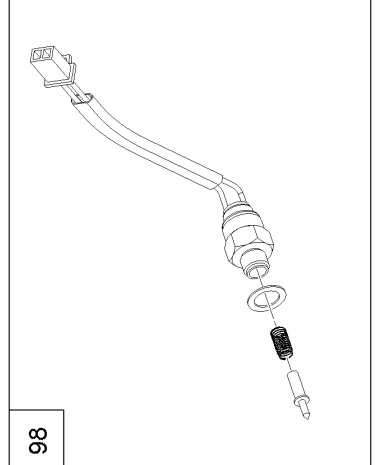
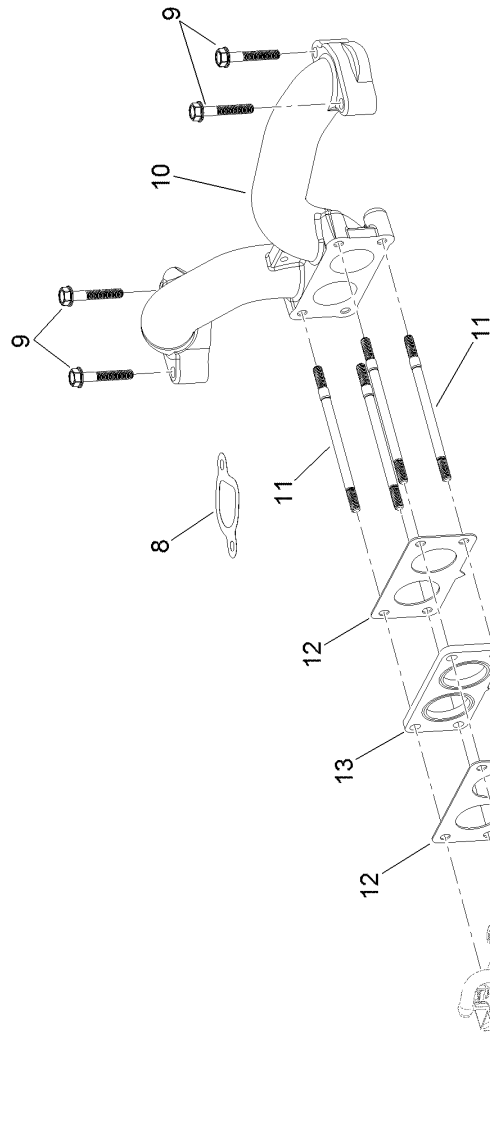
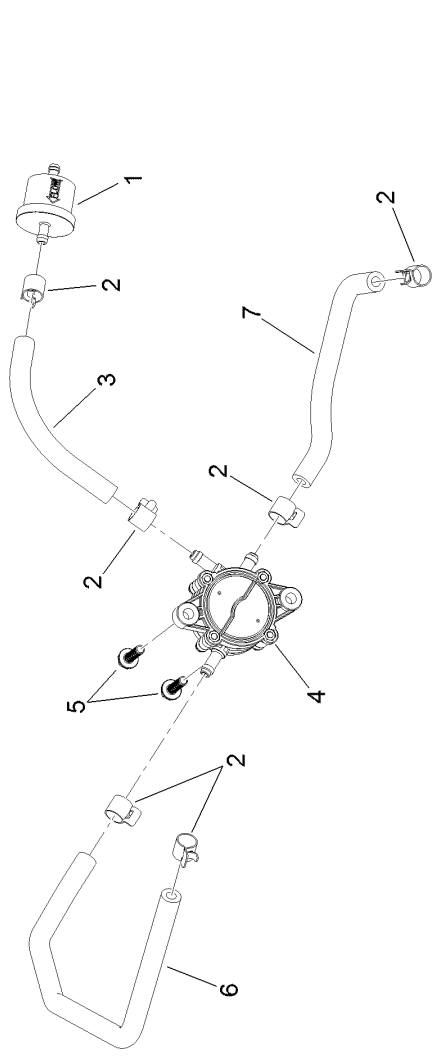
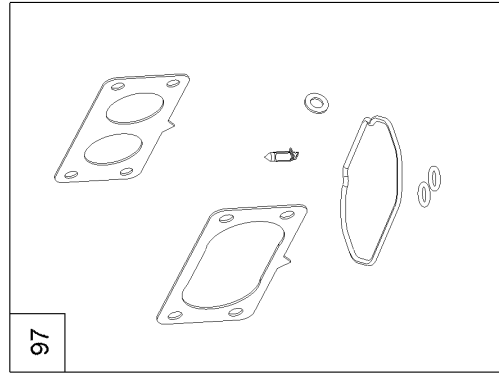
## Engine and Muffler Assembly (continued)

<i>Ref.</i>	<i>Part Number</i>	<i>Qty.</i>	<i>Description</i>	<i>Ref.</i>	<i>Part Number</i>	<i>Qty.</i>	<i>Description</i>
1	133-1591	1	Engine-2P77F	6	3256-24	3	Washer-Flat
2	130-6851	1	Muffler	9	121-0199	4	Nut-HH
3	131-1071-03	1	Shield-Heat	10	127-9279	4	Washer-Lock, Split
4	46-8560	2	Screw-HHFTF	12	120-4317	2	Gasket-Exhaust
5	32144-109	4	Screw-Thd Form HWH				

# Fuel System Assembly with Non-Canister Style Air Filter



If equipped with canister type air filter refer to kit model 136-7860 for carburetor assembly and internal carburetor parts.

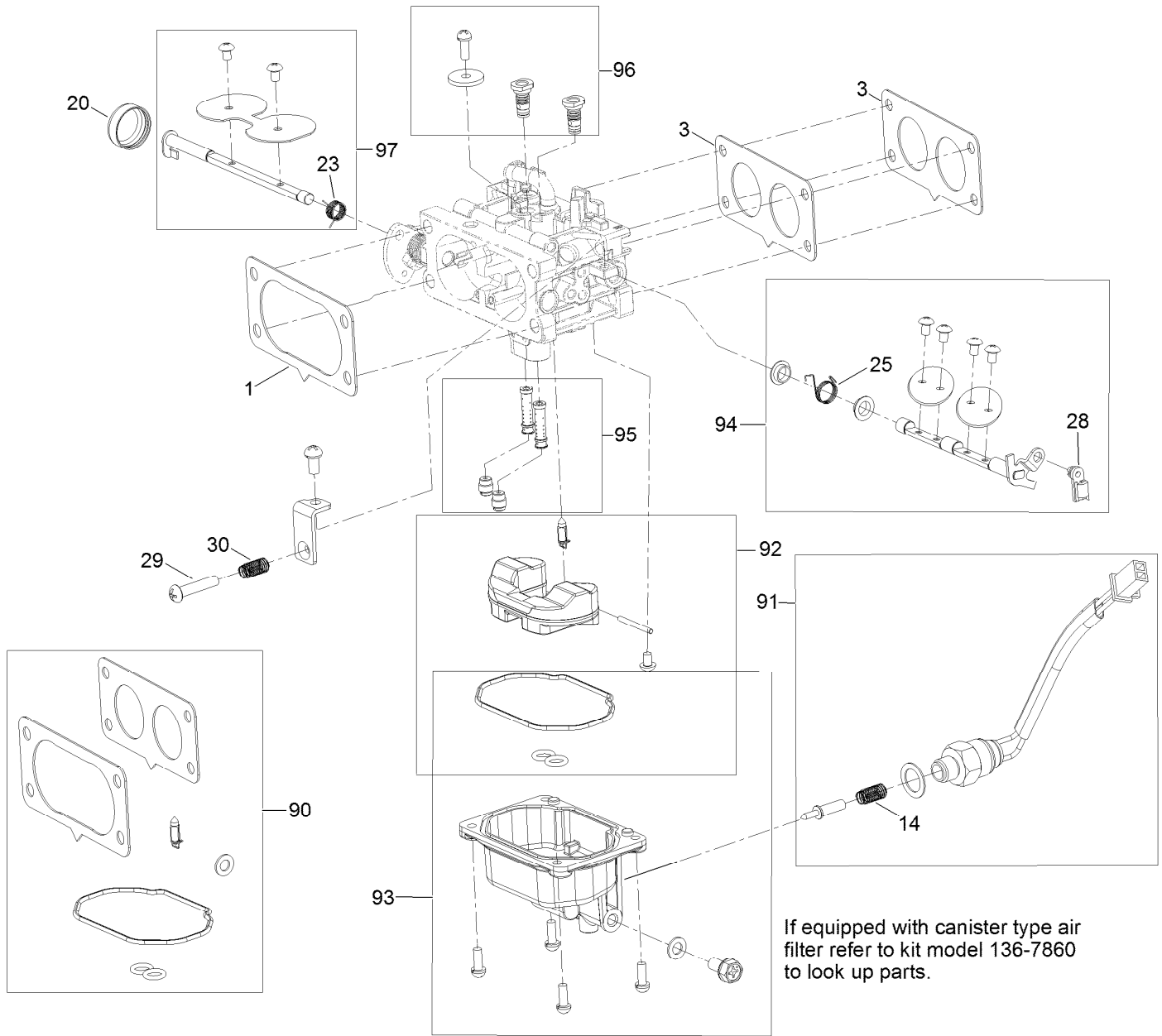


## Fuel System Assembly with Non-Canister Style Air Filter (continued)

<i>Ref.</i>	<i>Part Number</i>	<i>Qty.</i>	<i>Description</i>	<i>Ref.</i>	<i>Part Number</i>	<i>Qty.</i>	<i>Description</i>
1	133-1563	1	Filter-Fuel	11	127-9245	4	Stud
2	120-4251	6	Clamp-Fuel Line	12	127-9246	2	Gasket-Carburetor
3	120-4371	1	Line-Fuel	13	127-9247	1	Insulator-Carburetor
4	127-9206	1	Pump-Fuel	14	133-9963	1	Linkage-Throttle
5	120-4225	2	Screw-HHF	15	133-9964	1	Spring-Return, Throttle
6	127-9205	1	Hose-Fuel	96	133-9966	1	Carburetor Replacement Kit
7	127-9207	1	Hose-Fuel	97	127-9290	1	Carburetor Repair Kit
8	127-9230	2	Gasket-Intake	98	127-9292	1	Solenoid Kit
9	120-4284	4	Screw-HHF	99	133-9968	1	High Altitude Kit ●
10	127-9244	1	Manifold-Intake				

● Not illustrated

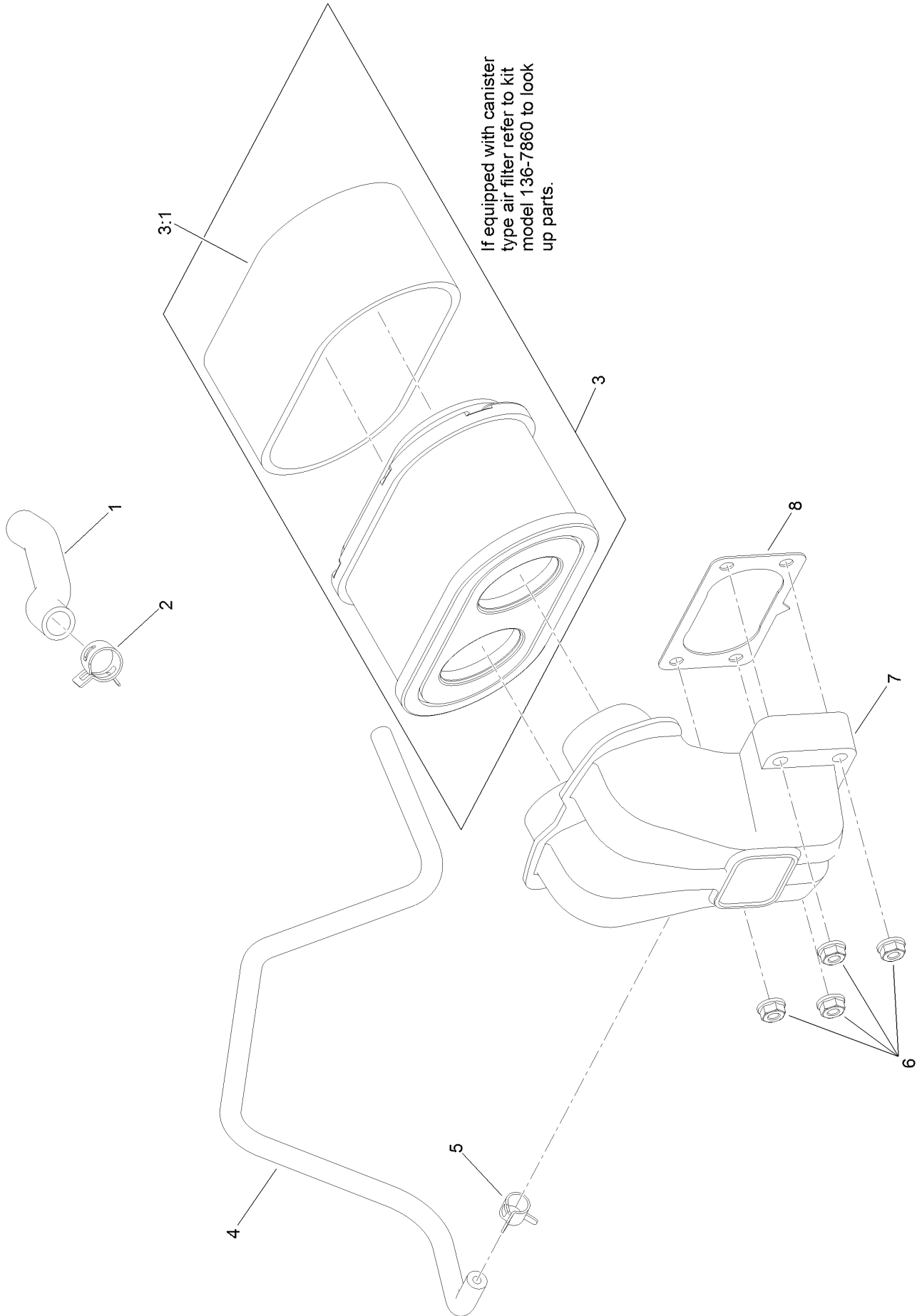
# Carburetor Assembly with Non-Canister Style Air Filter



## Carburetor Assembly with Non-Canister Style Air Filter (continued)

<i>Ref.</i>	<i>Part Number</i>	<i>Qty.</i>	<i>Description</i>	<i>Ref.</i>	<i>Part Number</i>	<i>Qty.</i>	<i>Description</i>
1	127-9251	1	Gasket-Carburetor	90	127-9290	1	Carburetor Repair Kit
3	127-9246	2	Gasket-Carburetor	91	127-9292	1	Solenoid Kit
14	127-9319	1	Spring	92	127-9340	1	Float Kit
20	127-9325	1	Cover-Shaft, Choke	93	127-9341	1	Bowl Kit
23	127-9328	1	Spring	94	133-9960	1	Throttle Shaft Kit
25	133-9957	1	Spring	95	133-9959	1	Nozzle And Jet Kit
28	127-9333	1	Clamp-Lock	96	133-9958	1	Air Jet Kit
29	127-9334	1	Screw-PPH	97	127-9345	1	Choke Shaft Kit
30	127-9335	1	Spring				

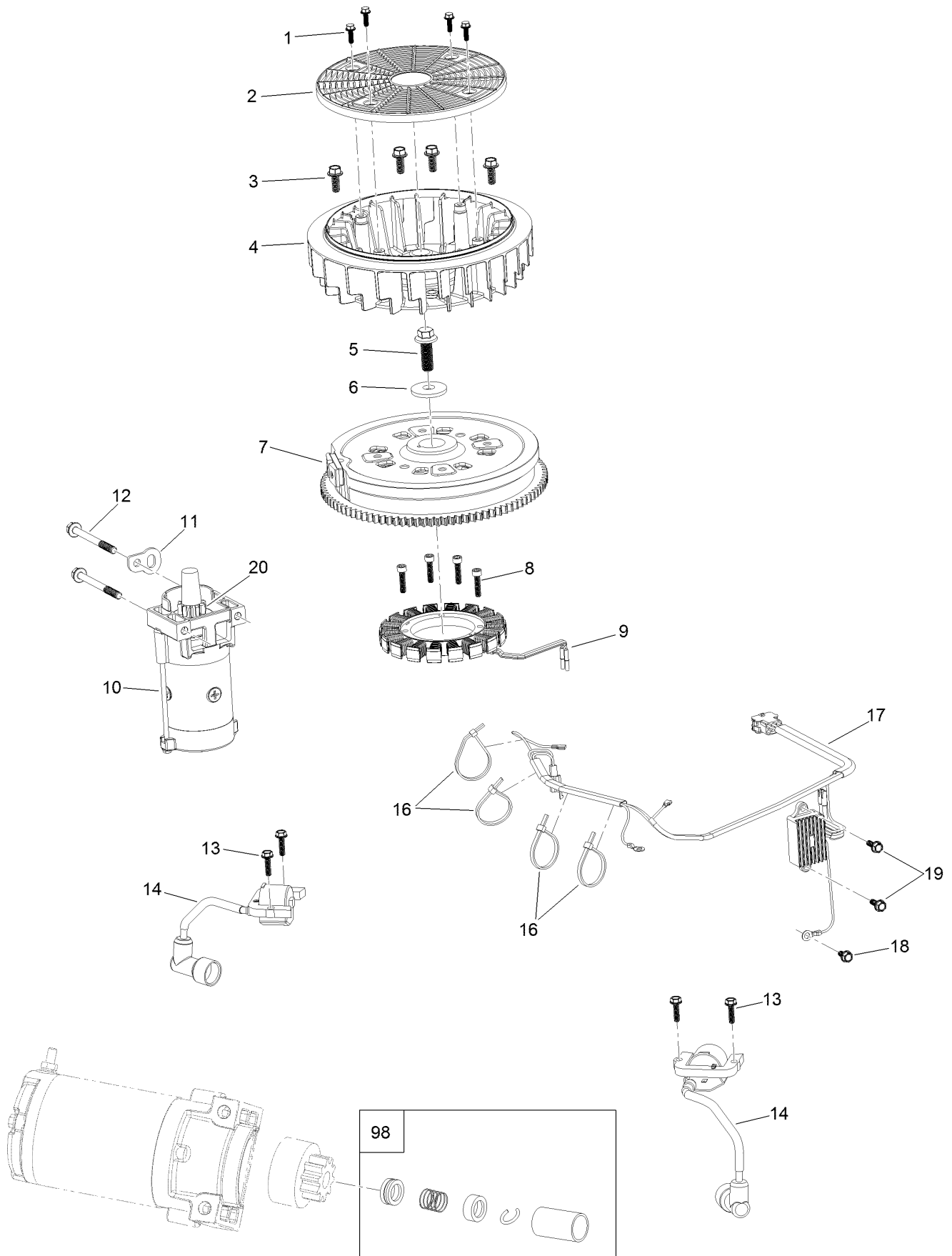
# Air Intake and Filtration Assembly with Non-Canister Style Air Filter



## Air Intake and Filtration Assembly with Non-Canister Style Air Filter (continued)

<i>Ref.</i>	<i>Part Number</i>	<i>Qty.</i>	<i>Description</i>	<i>Ref.</i>	<i>Part Number</i>	<i>Qty.</i>	<i>Description</i>
1	127-9235	1	Tube-Breather	5	127-9187	1	Clamp-Hose
2	127-9234	2	Clamp-Hose	6	120-4236	4	Nut-Flange
3	127-9252	1	Filter-Air, Complete	7	127-9047	1	Manifold-Filter, Air
3:1	127-9288	1	Filter-Pre, Foam	8	127-9251	1	Gasket-Carburetor
4	127-9253	1	Hose-Fuel				

# Ignition and Electrical Assembly

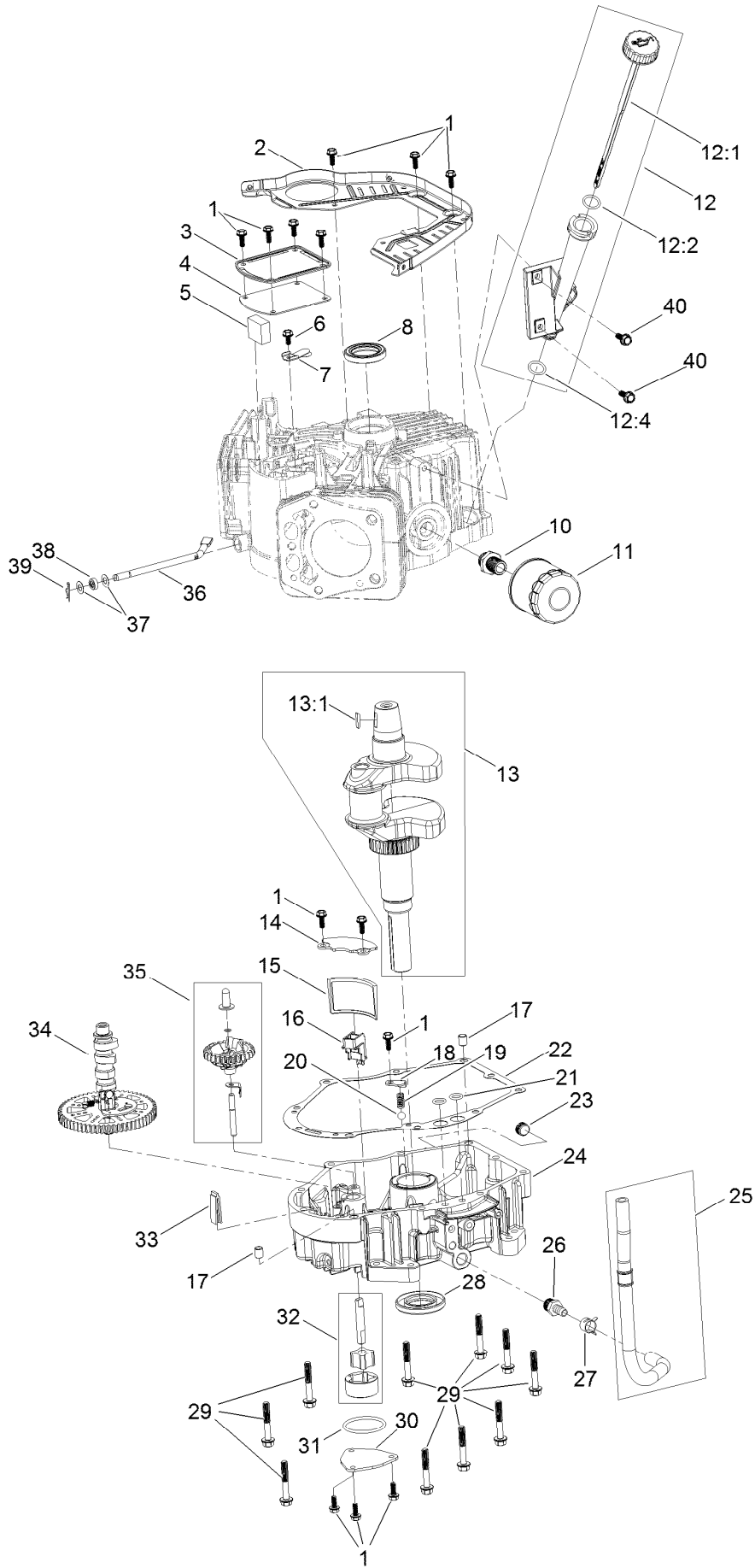




## Ignition and Electrical Assembly (continued)

<i>Ref.</i>	<i>Part Number</i>	<i>Qty.</i>	<i>Description</i>	<i>Ref.</i>	<i>Part Number</i>	<i>Qty.</i>	<i>Description</i>
1	127-9197	4	Screw-HWH	12	120-4231	2	Screw-HHF
2	127-9198	1	Screen-Rotating	13	121-0007	4	Bolt-Flange
3	127-9199	4	Screw-HWH	14	127-9216	2	Ignition Coil ASM
4	127-9200	1	Fan-Cooling	16	127-9220	4	Tie-Zip
5	127-9201	1	Screw-HWH	17	127-9219	1	Regulator-Voltage W/Harness
6	127-9202	1	Washer-Flat	18	120-4216	1	Screw-HHF
7	127-9306	1	Flywheel	19	120-4232	2	Screw-HHF
8	127-9210	4	Screw-HSH	20	133-1562	1	Pinion-Starter
9	127-9211	1	Alternator	98	133-1566	1	Starter Repair Kit
10	133-9828	1	Motor-Starter				
11	127-9208	1	Bracket-Lift				

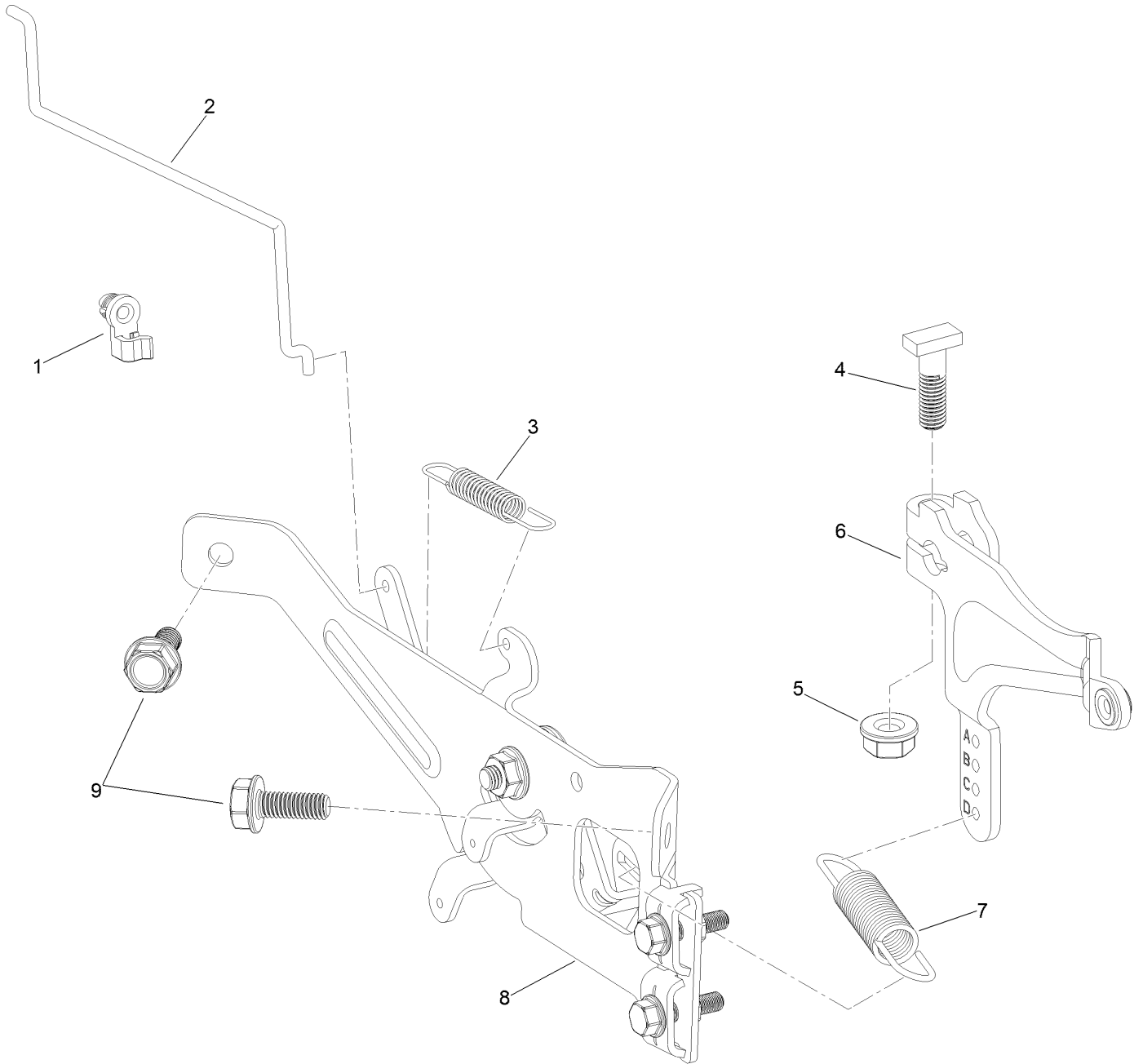
# Crankcase and Crankshaft Assembly



## Crankcase and Crankshaft Assembly (continued)

<i>Ref.</i>	<i>Part Number</i>	<i>Qty.</i>	<i>Description</i>	<i>Ref.</i>	<i>Part Number</i>	<i>Qty.</i>	<i>Description</i>
1	120-4232	14	Screw-HHF	20	127-9266	1	Valve-Ball
2	127-9212	1	Baffle	21	120-4262	2	O-Ring
3	127-9213	1	Cover-Breather	22	127-9267	1	Gasket-Cover, Crankcase
4	127-9214	1	Gasket-Breather	23	133-9805	1	Plug-Drain
5	127-9215	1	Filter-Breather	24	127-9268	1	Cover-Crankcase
6	120-4216	1	Screw-HHF	25	127-9293	1	Oil Drain Hose ASM
7	127-9217	1	Valve-Breather	26	127-9275	1	Fitting-Hose
8	120-4267	1	Seal-Oil	27	127-9276	1	Clamp-Hose
10	120-4346	1	Adaptor-Filter, Oil	28	127-9271	1	Seal
11	120-4276	1	Filter-Oil	29	121-0473	10	Screw-HHF
12	127-9218	1	Oil Tube ASM	30	127-9274	1	Cover-Oil Pump
12:1	127-9283	1	Dipstick	31	127-9273	1	O-Ring
12:2	127-9284	1	O-Ring	32	127-9272	1	Oil Pump ASM
12:4	127-9286	1	O-Ring	33	120-4275	1	Deflector-Oil, Rubber
13	127-9255	1	Crankshaft	34	133-1568	1	Camshaft
13:1	120-4320	1	Key-Woodruff	35	133-9807	1	Governor ASM
14	127-9261	1	Cover-Screen, Oil	36	127-9238	1	Shaft-Governor
15	127-9262	1	Screen-Oil	37	120-4258	2	Washer-Plain
16	127-9263	1	Retainer-Screen	38	120-4257	1	Seal-Oil
17	120-4274	2	Pin-Dowel	39	120-4256	1	Pin-Hair
18	127-9264	1	Plate-Retainer	40	120-4232	2	Screw-HHF
19	127-9265	1	Spring				

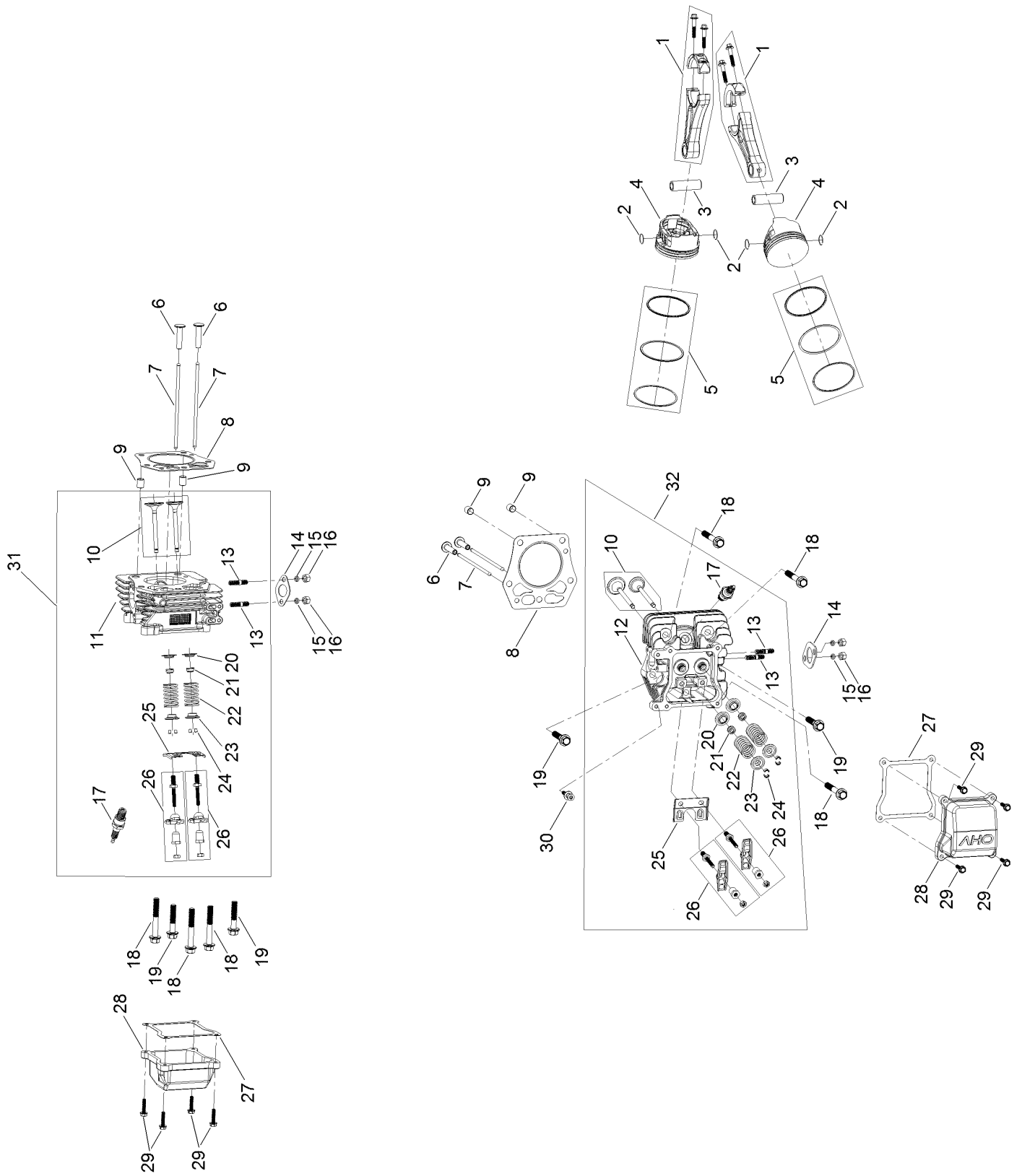
# Governor Control Assembly



## Governor Control Assembly (continued)

<i>Ref.</i>	<i>Part Number</i>	<i>Qty.</i>	<i>Description</i>	<i>Ref.</i>	<i>Part Number</i>	<i>Qty.</i>	<i>Description</i>
1	127-9250	1	Clip-Linkage	6	133-9961	1	Arm-Governor
2	127-9242	1	Linkage-Choke	7	133-9962	1	Spring-Governor
3	127-9241	1	Spring-Governor	8	133-1570	1	Control Plate ASM
4	120-4238	1	Bolt-Arm, Governor	9	120-4232	2	Screw-HHF
5	120-4236	1	Nut-Flange				

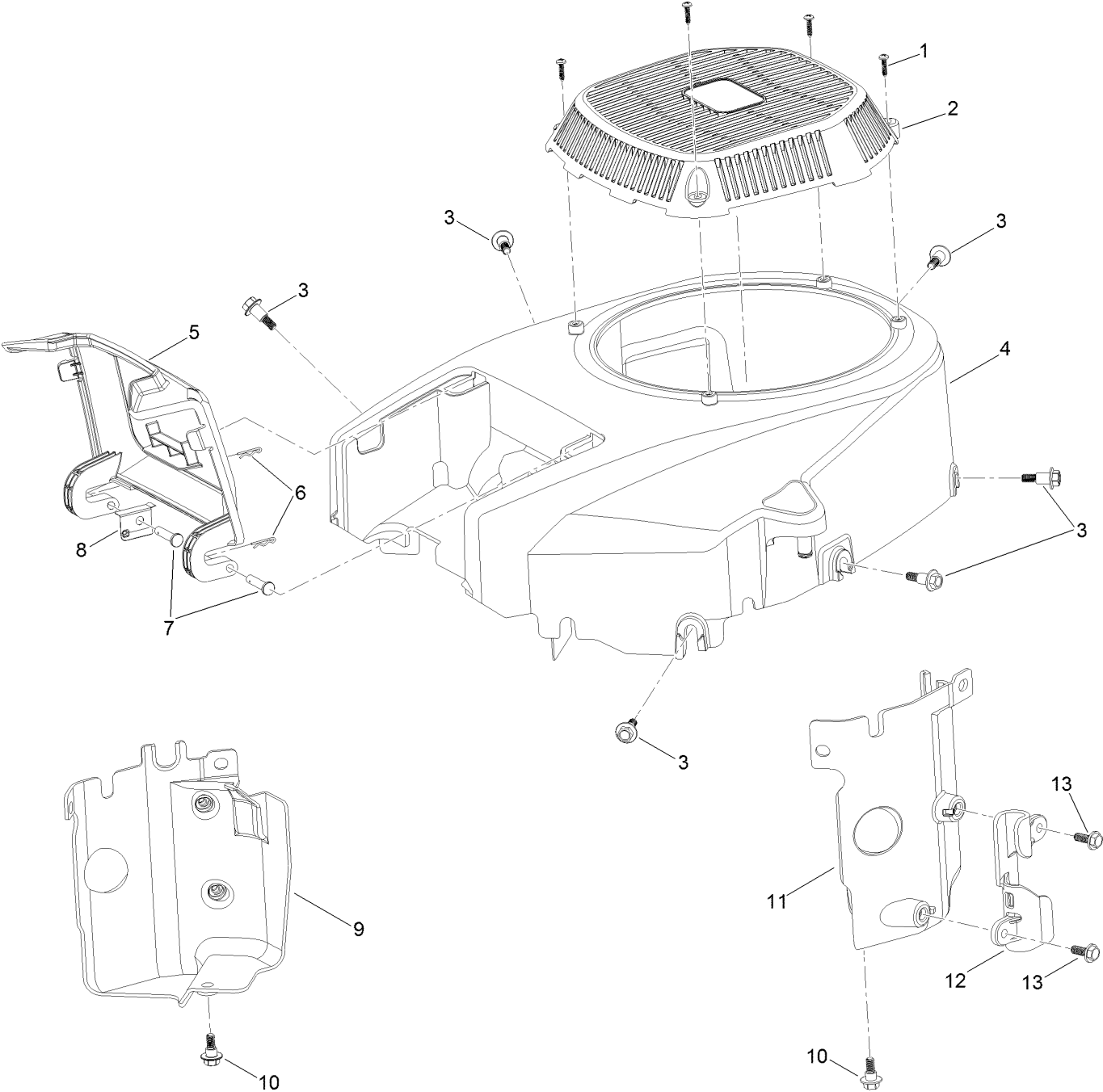
# Piston and Cylinder Head Assembly



## Piston and Cylinder Head Assembly (continued)

<i>Ref.</i>	<i>Part Number</i>	<i>Qty.</i>	<i>Description</i>	<i>Ref.</i>	<i>Part Number</i>	<i>Qty.</i>	<i>Description</i>
1	127-9256	2	Connecting Rod ASM	17	81-3250	2	Spark Plug
2	127-9258	4	Clip-Pin, Piston	18	127-9231	6	Screw-HWH
3	127-9257	2	Pin-Piston	19	127-9232	4	Screw-HWH
4	127-9259	2	Piston	20	120-4303	4	Seat-Spring, Valve
5	127-9260	2	Piston Ring Set	21	120-4304	4	Seal-Stem, Valve
6	127-9224	4	Lifter-Valve	22	120-4305	4	Spring-Valve
7	127-9225	4	Rod-Push	23	120-4306	4	Retainer-Spring, Valve
8	127-9226	2	Gasket-Head, Cylinder	24	120-4307	8	Keeper-Valve
9	127-9227	4	Pin-Dowel	25	127-9233	2	Plate-Guide, Push Rod
10	127-9228	2	Valve Set	26	127-9294	4	Rocker Arm ASM
11	127-9229	1	Head-Cylinder	27	127-9295	2	Gasket-Valve Cover
12	127-9254	1	Head-Cylinder	28	127-9050	2	Cover-Valve
13	121-0464	4	Stud-Exhaust	29	120-4225	8	Screw-HHF
14	120-4317	2	Gasket-Exhaust	30	120-4214	1	Screw-Shoulder, HH
15	127-9279	4	Washer-Lock, Split	31	133-9819	1	Right Head ASM
16	121-0199	4	Nut-HH	32	133-9820	1	Left Head ASM

# Blower Housing Assembly



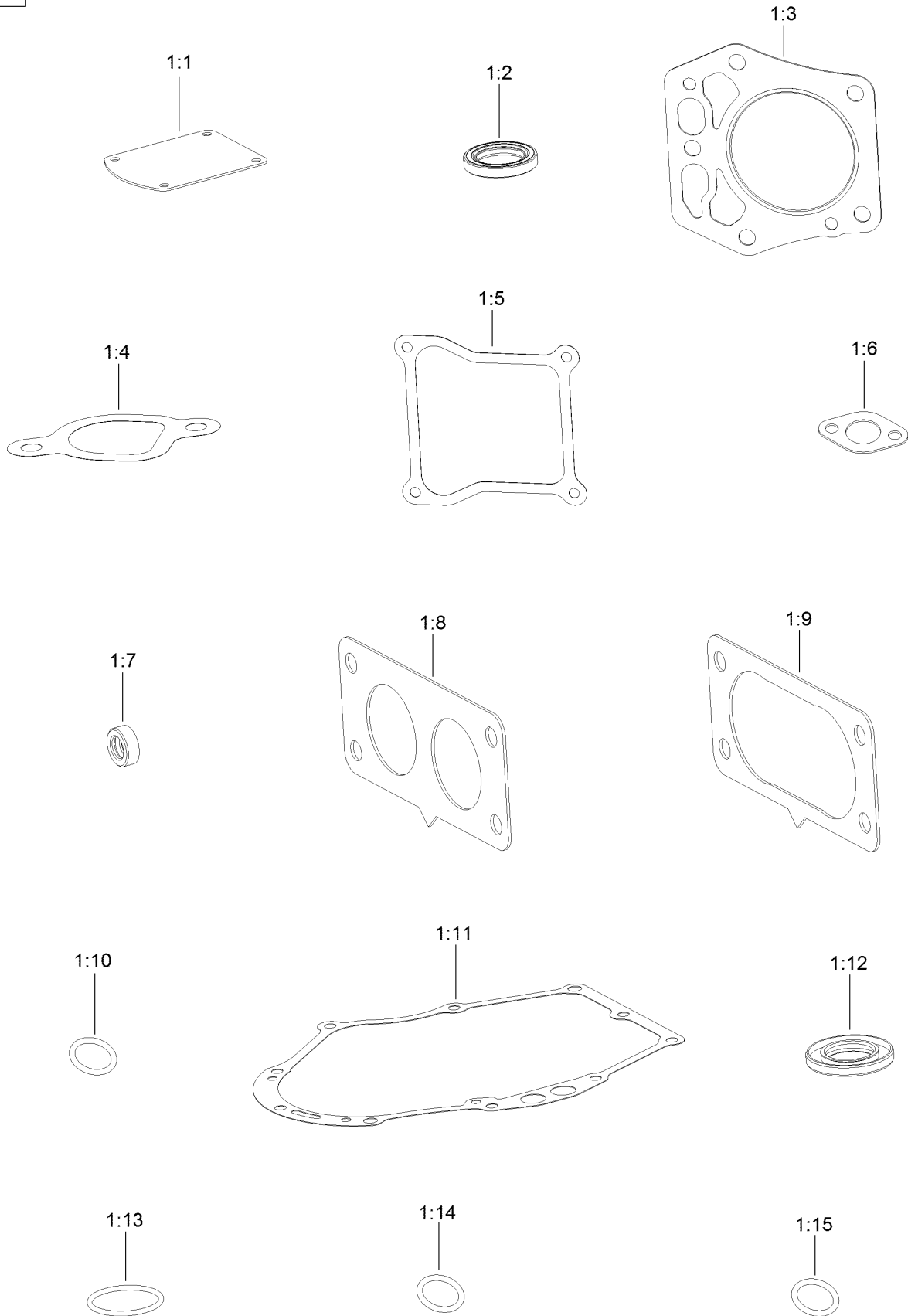


## Blower Housing Assembly (continued)

<i>Ref.</i>	<i>Part Number</i>	<i>Qty.</i>	<i>Description</i>	<i>Ref.</i>	<i>Part Number</i>	<i>Qty.</i>	<i>Description</i>
1	133-1571	4	Screw-PPH, Plastic	8	127-9281	1	Plate-Spring
2	127-9045	1	Cover-Fan	9	127-9049	1	Baffle-Air, Left
3	127-9196	6	Screw-Shoulder, HWH	10	120-4210	2	Screw-Shoulder, HHF
4	133-1572	1	Shroud-Engine	11	127-9048	1	Baffle-Air, Right
5	127-9046	1	Door-Filter, Air	12	127-9287	1	Cleat-Hose
6	127-9280	2	Pin-Hair	13	120-4232	2	Screw-HHF
7	127-9282	2	Pin				

# Gasket and Seal Kit

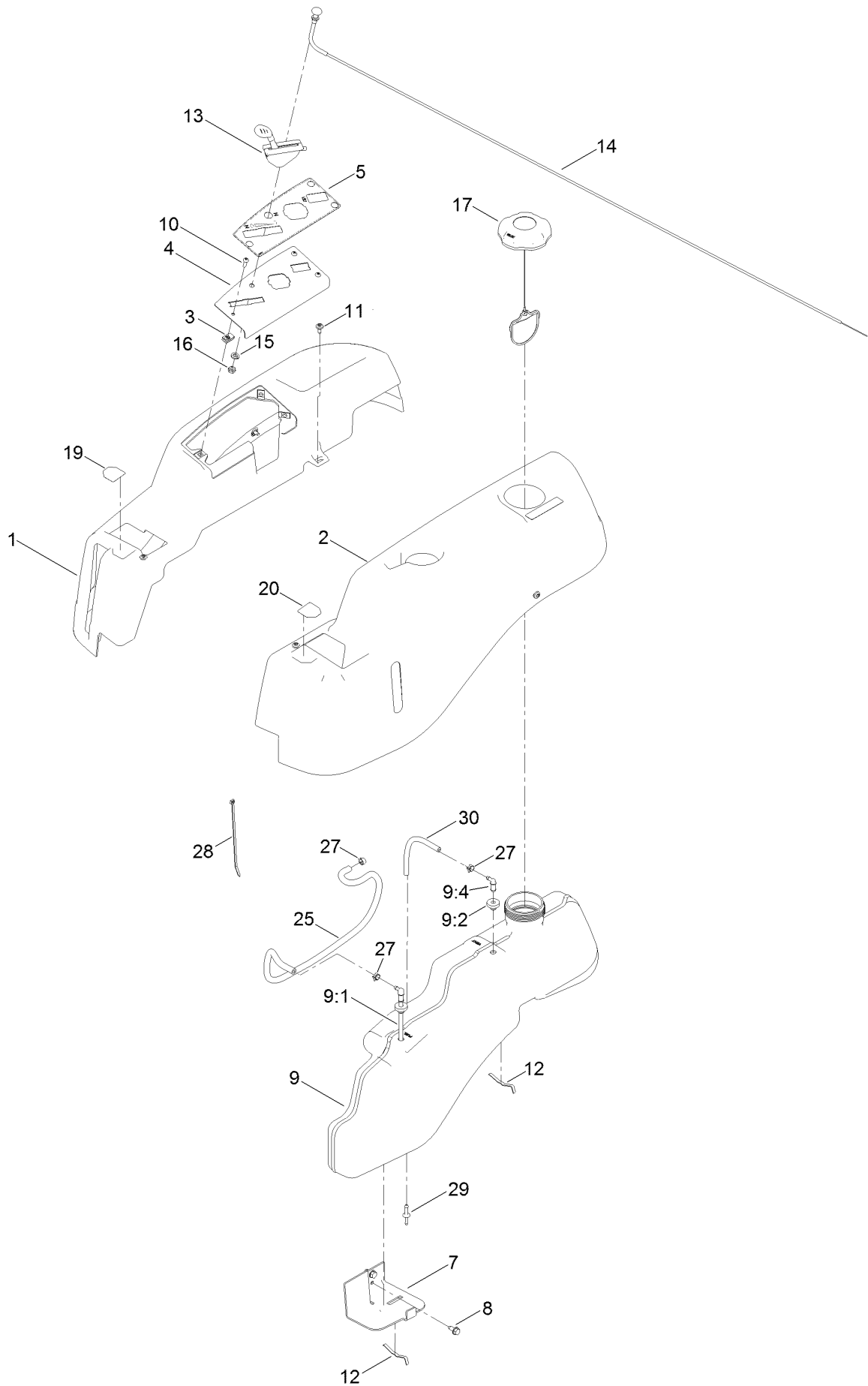
1



## Gasket and Seal Kit (continued)

<i>Ref.</i>	<i>Part Number</i>	<i>Qty.</i>	<i>Description</i>	<i>Ref.</i>	<i>Part Number</i>	<i>Qty.</i>	<i>Description</i>
1	127-9296	1	Gasket And Seal Kit	1:8	127-9246	2	Gasket-Carburetor
1:1	127-9214	1	Gasket-Breather	1:9	127-9251	1	Gasket-Carburetor
1:2	120-4267	1	Seal-Oil	1:10	120-4262	2	O-Ring
1:3	127-9226	2	Gasket-Head, Cylinder	1:11	127-9267	1	Gasket-Cover, Crankcase
1:4	127-9230	2	Gasket-Intake	1:12	127-9271	1	Seal
1:5	127-9295	2	Gasket-Valve Cover	1:13	127-9273	1	O-Ring
1:6	120-4317	2	Gasket-Exhaust	1:14	127-9284	1	O-Ring
1:7	120-4257	1	Seal-Oil	1:15	127-9286	1	O-Ring

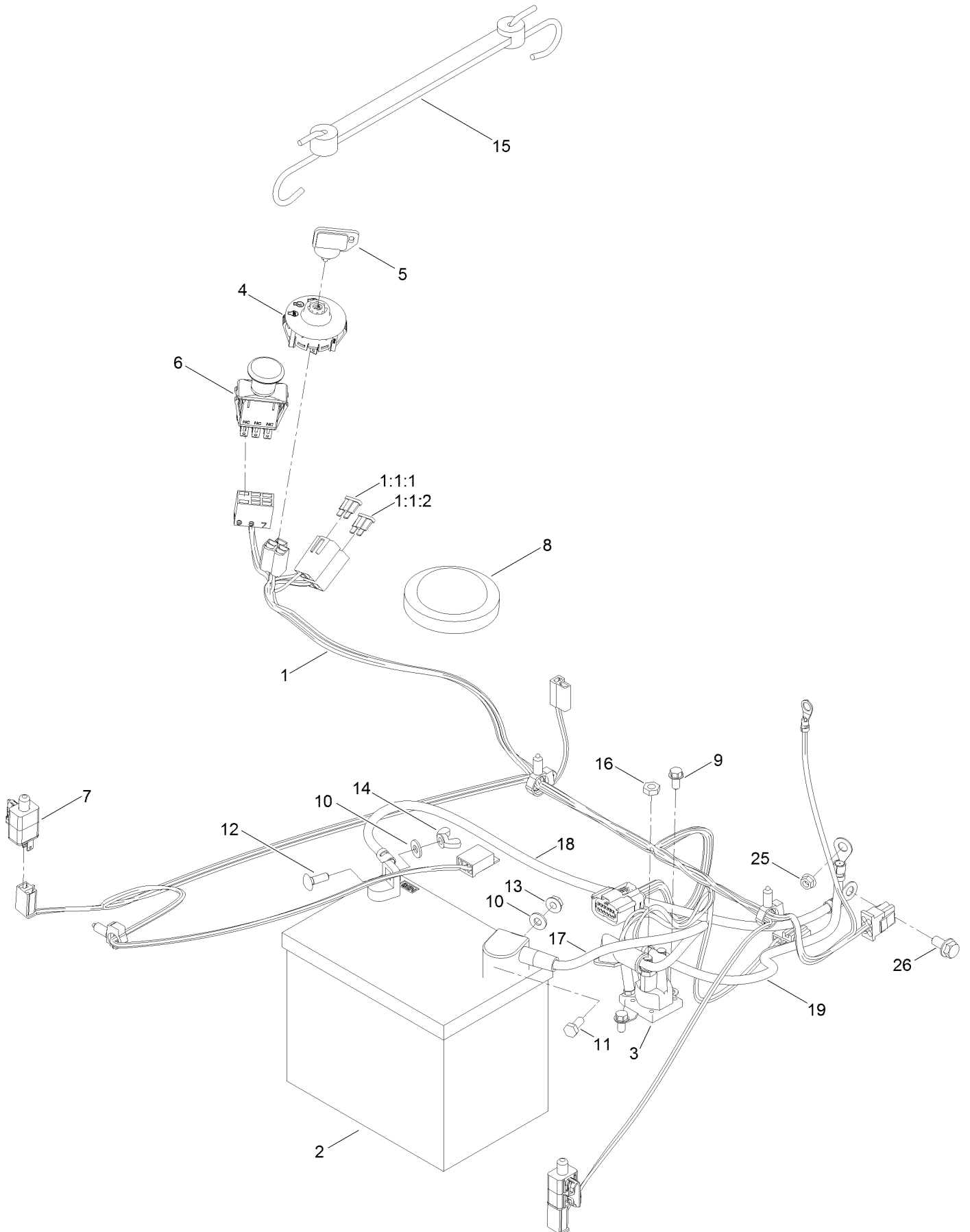
# Body Styling and Fuel Tank Assembly



## Body Styling and Fuel Tank Assembly (continued)

<i>Ref.</i>	<i>Part Number</i>	<i>Qty.</i>	<i>Description</i>	<i>Ref.</i>	<i>Part Number</i>	<i>Qty.</i>	<i>Description</i>
1	119-3335	1	Pod-RH	12	609830	2	Spring
2	119-3334	1	Pod-LH	13	121-0769	1	Cable-Throttle
3	107069	3	Clip	14	112-9753	1	Cable-Choke
4	119-3378-03	1	Plate-Control	15	3253-21	1	Washer-Lock
5	121-0772	1	Decal-Panel, Control	16	3220-3	1	Nut-HJ
7	119-3476-03	1	Support-Tank, Front	17	137-4119	1	Cap-Fuel, Ratcheting
8	32144-70	2	Screw-HWHTF	19	119-8814	1	Decal-Lever, Control (LH)
9	119-3324	1	Fuel Tank ASM	20	119-8815	1	Decal-Lever, Control (RH)
9:1	121-0793	1	Connector-Elbow, 90 DEG	25	109-0281	1	Hose-Fuel
9:2	46-6560	2	Bushing	27	2412-98	3	Clamp-Hose
9:4	117-7400	1	Fitting-Plastic	28	614249	1	Tie-Cable
10	3258-166	3	Screw-PRH	29	117-5399	1	Adaptor-Orifice
11	120-7950	6	Screw-Shoulder	30	110-1876	1	Hose-Fuel

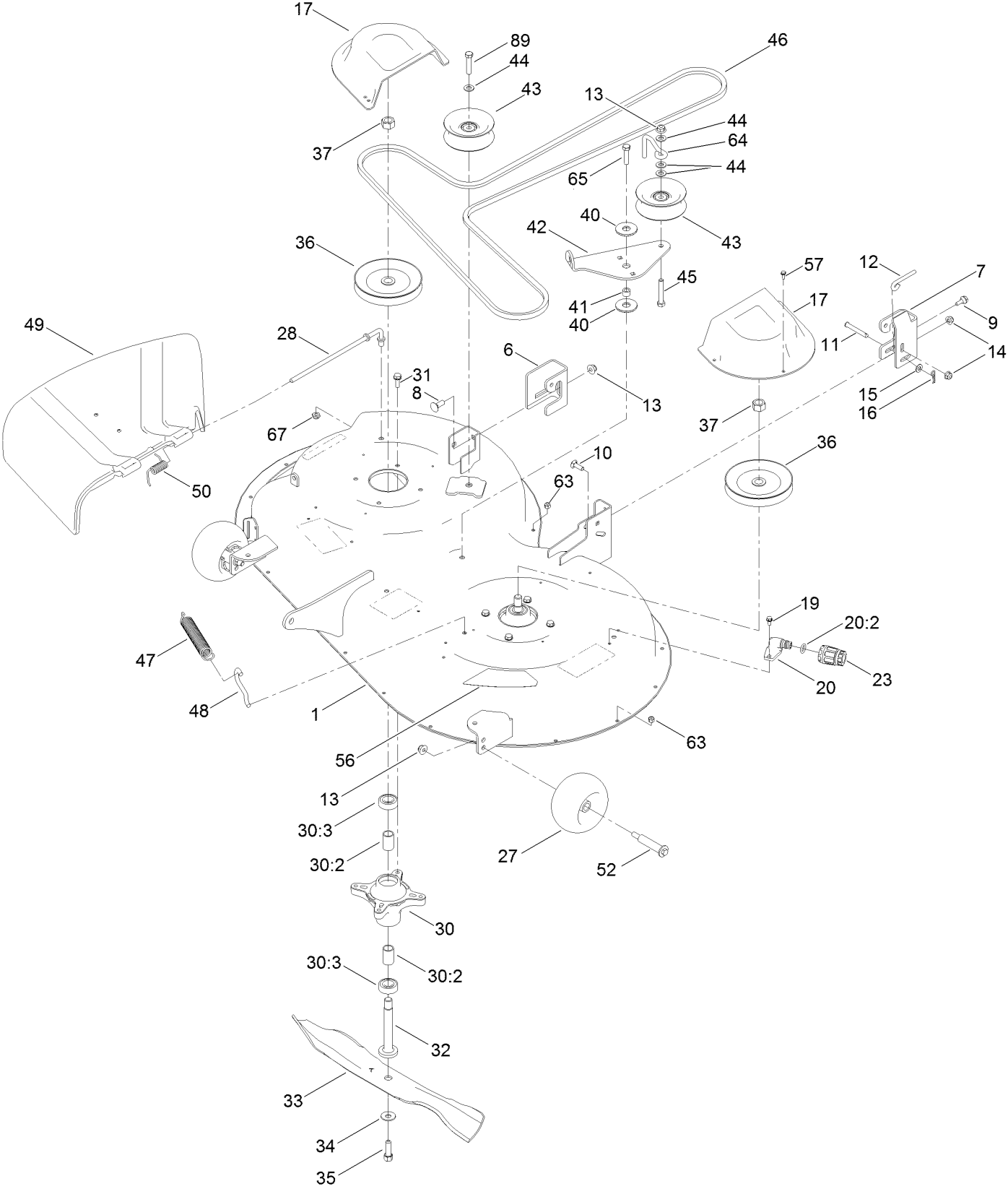
# Battery and Electrical Assembly



## Battery and Electrical Assembly (continued)

<i>Ref.</i>	<i>Part Number</i>	<i>Qty.</i>	<i>Description</i>	<i>Ref.</i>	<i>Part Number</i>	<i>Qty.</i>	<i>Description</i>
1	136-7482	1	Harness-Wire	11	321-3	1	Screw-HH
1:1:1	109103	1	Fuse-Blade, 30 Amp	12	3229-1	1	Bolt-CARR
1:1:2	109102	1	Fuse-Blade, 25 Amp	13	32128-33	1	Nut-HF
2	105-1692	1	Battery	14	32103-22	1	Nut-Wing
3	117-1197	1	Solenoid	15	104-2466	1	Holddown-Battery
4	137-4100	1	Switch-Ignition	16	3220-2	2	Nut-Jam
5	63-8360	1	Key-Ignition	17	119-8897	1	Cable-Battery, Red
6	103-5221	1	Switch-PTO	18	121-0711	1	Cable-Battery, Positive
7	110-6765	2	Switch	19	119-8899	1	Cable-Battery, Black
8	100-3524	1	Switch-Seat	25	33003-00	1	Nut-HF
9	32144-4	2	Screw-HWH	26	3234-14	1	Screw-HHF
10	3256-22	2	Washer-Flat				

# 42 Inch Deck Assembly

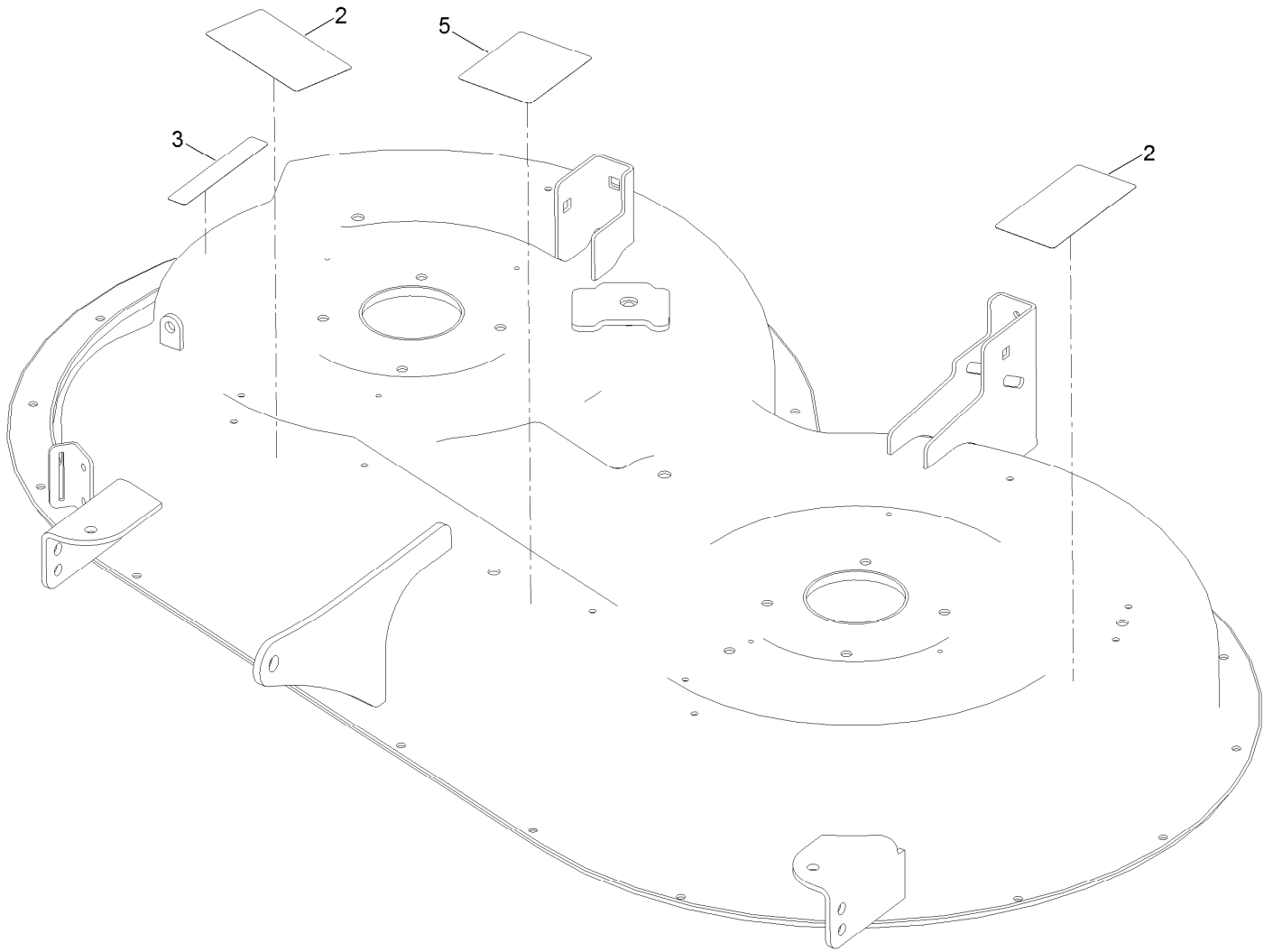




## 42 Inch Deck Assembly (continued)

<i>Ref.</i>	<i>Part Number</i>	<i>Qty.</i>	<i>Description</i>	<i>Ref.</i>	<i>Part Number</i>	<i>Qty.</i>	<i>Description</i>
1	137-7041	1	42 Inch Deck And Decal ASM	33	137-1999-03	2	Blade-21.6 In
6	131-4138	1	Bracket-Hanger, RH	34	3290-465	2	Washer-Belleville
7	131-1091	1	Bracket-Hanger, LH	35	26-0671	2	Screw-HH
8	3231-2	2	Bolt-CARR	36	125-5574	2	Pulley
9	120-7024	1	Screw-Shoulder, HHF	37	3219-6	2	Nut-Hex
10	3230-22	1	Screw-CARR	40	114-0463	2	Washer-Friction, Composite
11	110-0618	1	Pin-Clevis	41	115-4986	1	Spacer
12	131-0955	1	Rod-Level, Deck	42	114-8540	1	Arm-Idler
13	104-8301	6	Nut-HF, NI	43	132-9420	2	Pulley-Idler, Flat
14	104-8300	2	Nut-HF, NI	44	3256-24	3	Washer-Flat
15	3256-23	1	Washer-Plain	45	323-11	1	Screw-HH
16	1-806003	1	Pin-Cotter	46	119-8819	1	V-Belt
17	108-7889	2	Cover-Belt	47	106-2177	1	Spring-Extension
19	32144-4	2	Screw-HWH	48	88-5970	1	Hook-Return, Spring
20	133-9289	1	Fitting-Washout	49	137-7046	1	Deflector
20:2	133-9290	1	O-Ring	50	110-6694	1	Spring-Torsion
23	95-3270	1	Connector-Hose	52	112-3977	2	Bolt-Shoulder
27	1-603299	2	Roller-Scalp, Anti	56	117-1222	1	Decal
28	137-2019	1	Rod-Pivot	57	32144-1	6	Screw-Taptite
30	121-0751	2	Spindle ASM	63	3296-42	8	Nut-Lock, NI
30:2	120-7935	2	Spacer	64	107-7307	1	Guide-Idler, Belt
30:3	136-5441	2	Bearing-Ball	65	323-8	1	Screw-HH
31	32144-41	8	Screw-Taptite	67	3296-59	1	Nut-Lock, NI
32	117-7268	2	Shaft-Spindle	89	323-9	1	Screw-HH

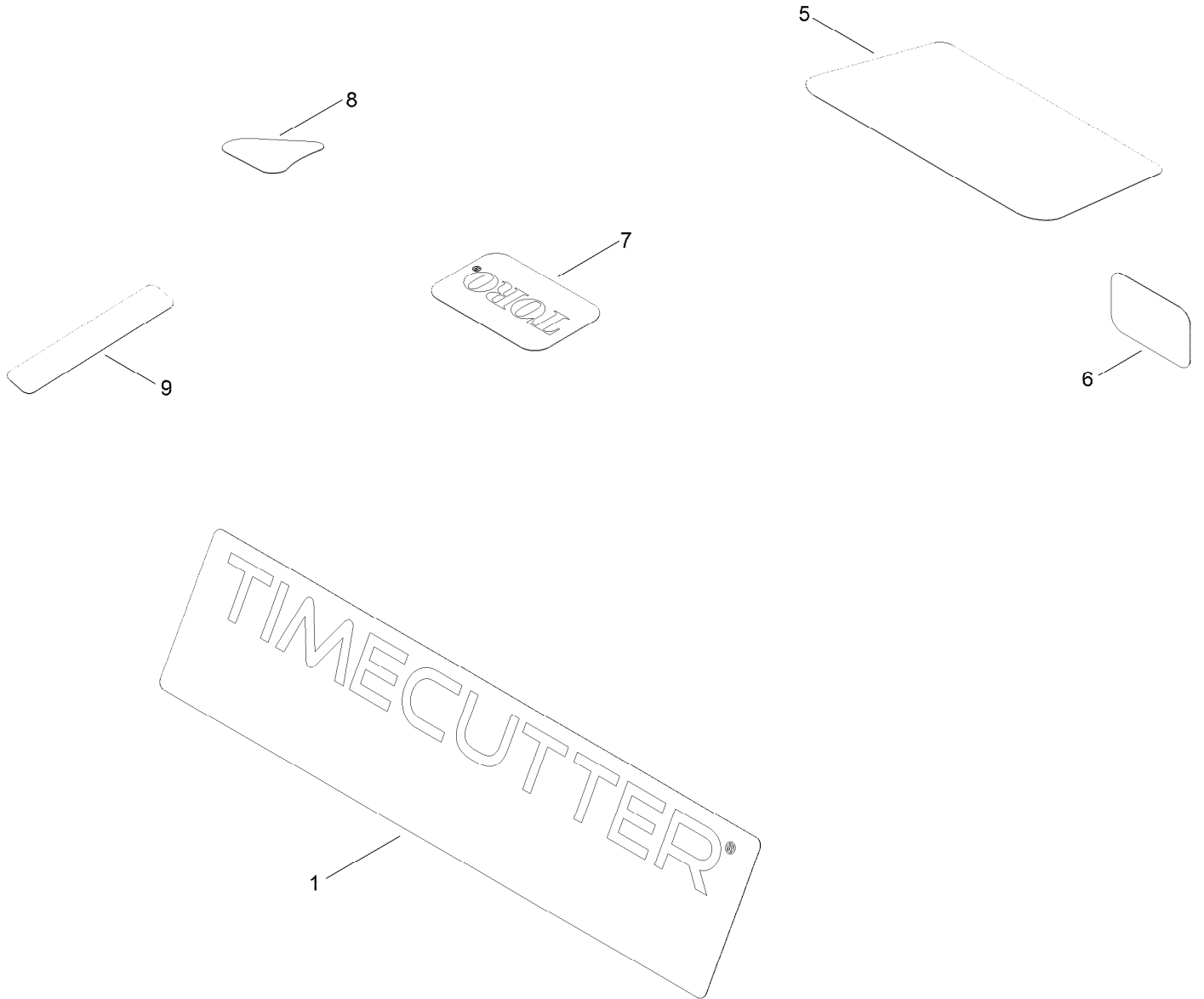
# 42 Inch Decal Assembly No. 137-7041



# 42 Inch Decal Assembly No. 137-7041 (continued)

<i>Ref.</i>	<i>Part Number</i>	<i>Qty.</i>	<i>Description</i>
2	132-0872	2	Decal-Danger, Deck
3	93-7009	1	Decal-Danger
5	105-7015	1	Decal-Routing, Belt

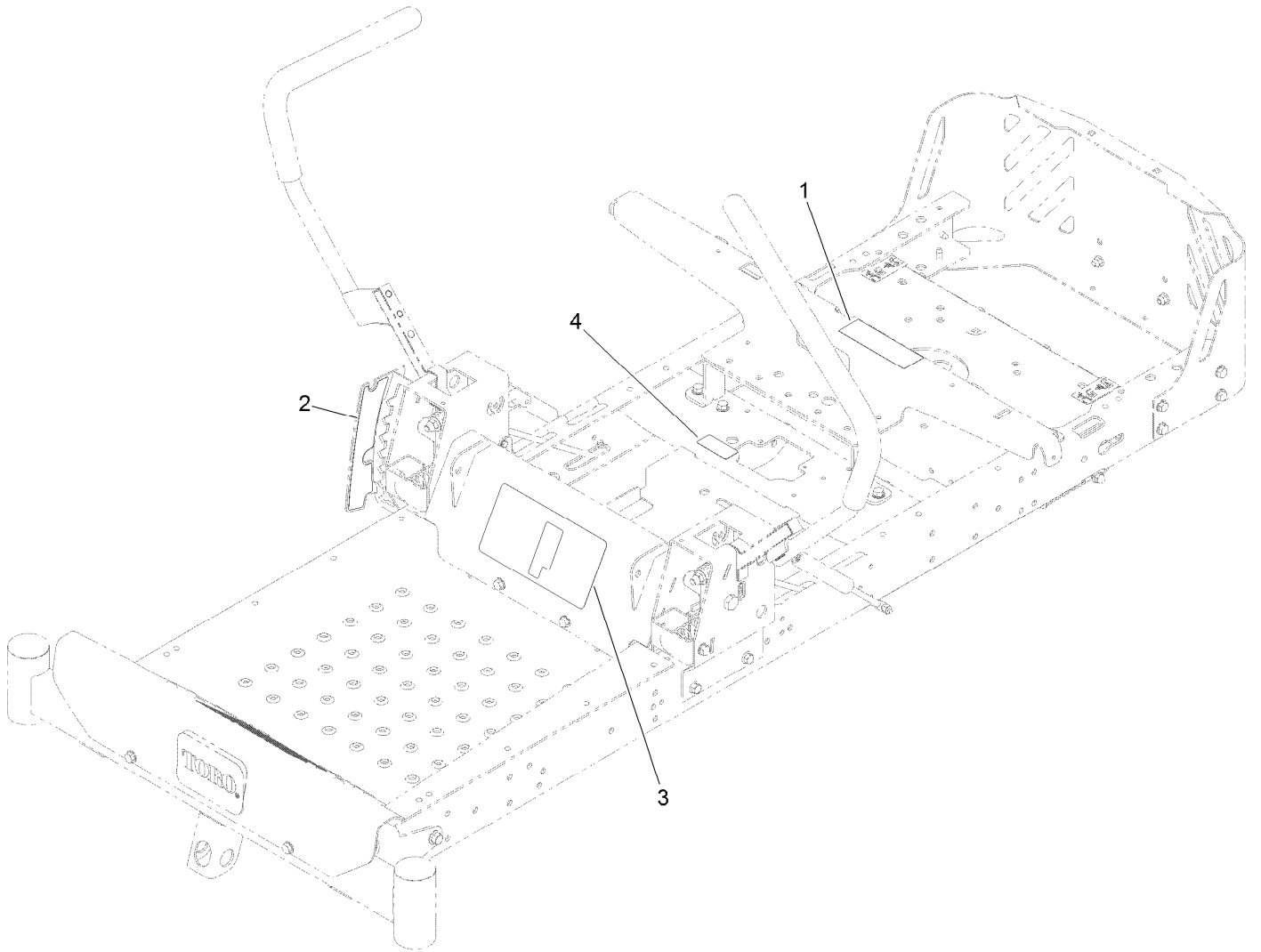
# Model Specific Decal Assembly



## Model Specific Decal Assembly (continued)

<i>Ref.</i>	<i>Part Number</i>	<i>Qty.</i>	<i>Description</i>	<i>Ref.</i>	<i>Part Number</i>	<i>Qty.</i>	<i>Description</i>
1	131-3650	1	Decal-Timecutter	7	131-4157	1	Decal
5	136-5618	1	Decal-Engine	8	131-1097	1	Decal-Drain, Oil
6	127-9076	1	Placard-Intake	9	132-0904	1	Decal-Shutdown

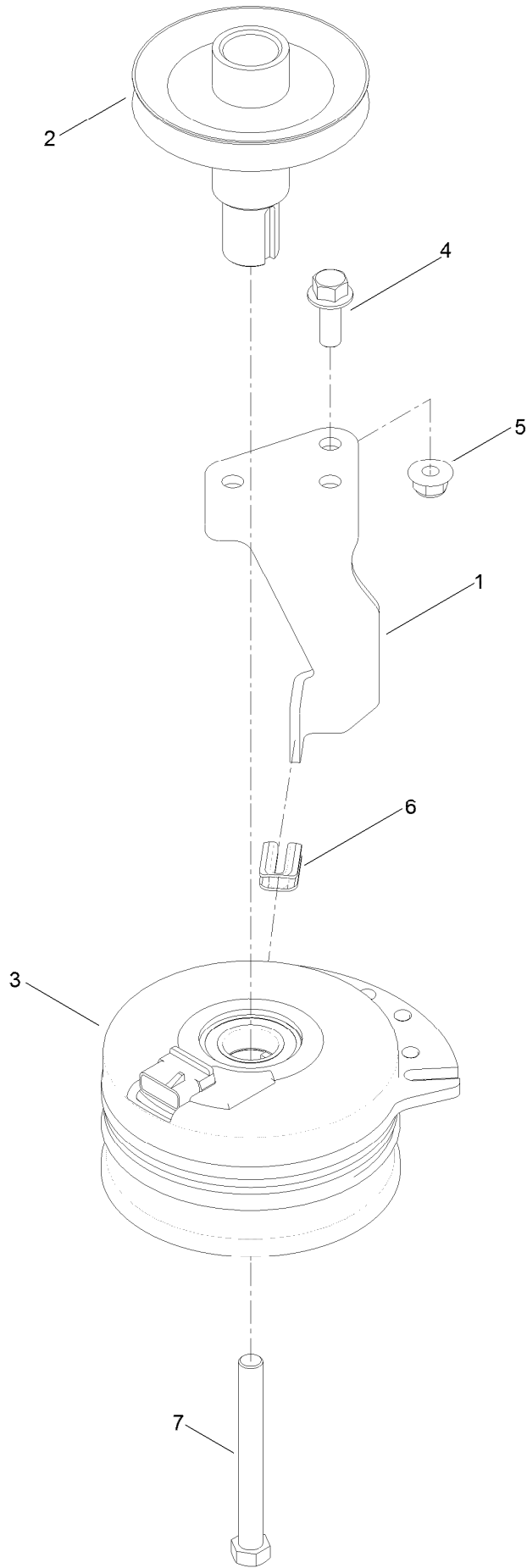
# Speed Control Decal, HOC Decal and Service Decal Assembly



## Speed Control Decal, HOC Decal and Service Decal Assembly (continued)

<i>Ref.</i>	<i>Part Number</i>	<i>Qty.</i>	<i>Description</i>	<i>Ref.</i>	<i>Part Number</i>	<i>Qty.</i>	<i>Description</i>
1	106-8717	1	Decal-Service, CE	3	131-3947	1	Decal-Control, Speed
2	119-8871	1	Decal-HOC	4	121-5684	1	Decal-Location, Service Dealer

# Clutch Assembly





## Clutch Assembly (continued)

<i>Ref.</i>	<i>Part Number</i>	<i>Qty.</i>	<i>Description</i>	<i>Ref.</i>	<i>Part Number</i>	<i>Qty.</i>	<i>Description</i>
1	119-8884	1	Stop-Clutch (Narrow)	5	104-8301	1	Nut-HF, NI
2	130-6854	1	Pulley-Engine	6	120-2217	1	Isolator-Clutch
3	117-7468	1	Clutch-Electric	7	3212-16	1	Screw-HH
4	3234-42	1	Screw-HHF				

# Attachments and Accessories

## For 74726 TimeCutter SS 4225 Riding Mower

<b>Product Name</b>	<b>Model/Part</b>
Armrest Kit .....	105-6978
Hourmeter Kit .....	116-5461
All Season Synthetic Oil (10W30, QT) .....	117-0066
Seat Cover W/O Arm Rest - TC 18in.....	117-0096
Jack Mount Kit .....	126-5251
Jack Kit.....	127-6666
Fuel Stabilizer .05 oz .....	130-2393
4-Cycle Fuel, Snow And Lawn 32oz Can .....	131-3823
Attachment Mount Kit .....	131-3966
Toro Premium Fuel Treatment 12 Oz Bottle .....	131-6572
Weight Kit .....	131-7658
Deluxe Seat Kit.....	131-7699
Toro V-Twin Engine Maintenance Kit .....	132-4878
Floor Mat Kit .....	132-6921
Maintenance Kit Toro V-Twin HD Engine .....	136-7847
HD Air Cleaner Kit .....	136-7860
Replacement Blade Kit .....	137-1999-03P
Striping Kit .....	137-5030
42in Recycler Kit.....	137-7042
Bagging Enhancement Kit .....	137-7048
Weight Kit, Zero-Turn-Radius Riding Mower.....	138-2452
Pro-control Damper Kit .....	138-7588
10w30 4-Cycle Engine Oil (32oz Bottle).....	38280
Toro 4-Cycle SAE 30 Oil (32oz Bottle) .....	38903
Storage Cover .....	490-7516
Foot Assist Deck Lift Kit, 2011 and After Zero-Turn-Radius Riding Mower .....	79010
Sunshade Kit .....	79011
Assist Handle and Step Kit .....	79339
42in Bagger Timecutter SS (2017 And Up) .....	79397

**Notes:**



**Count on it.**