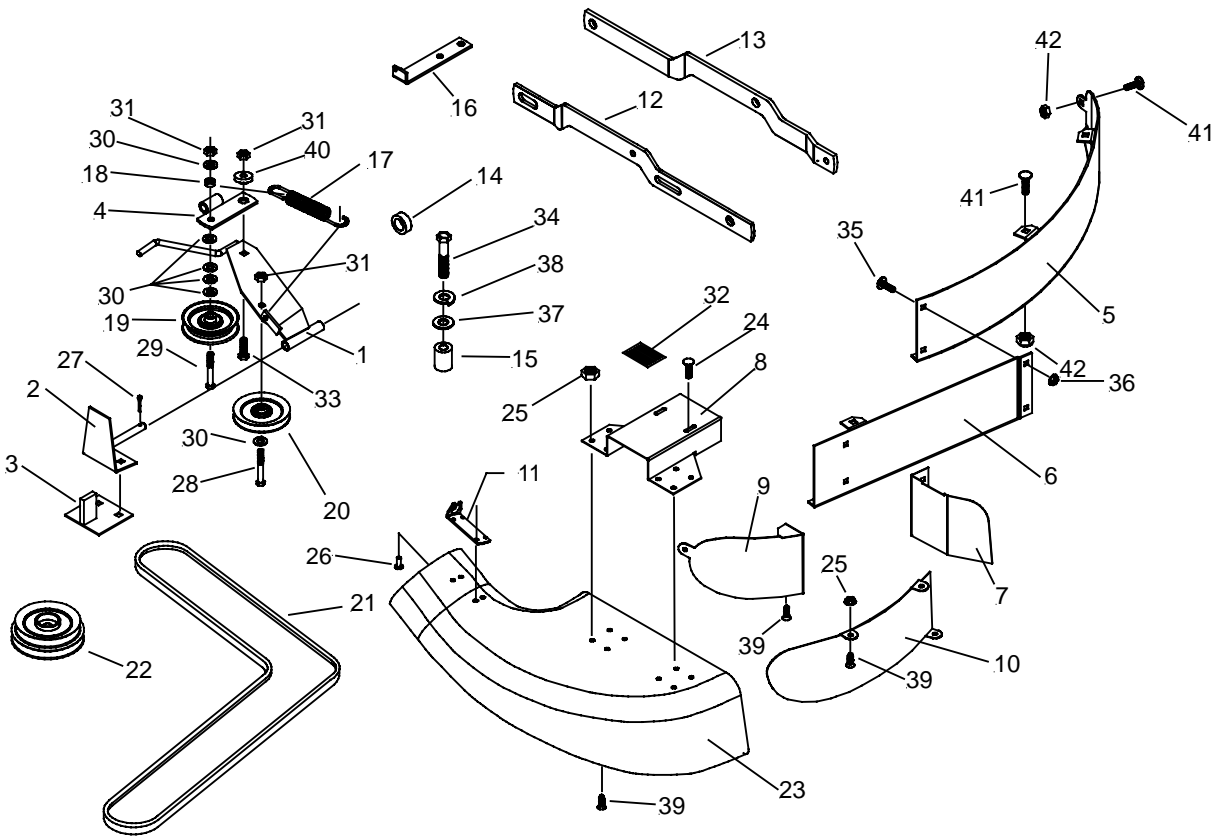




**Collector Drive
for
44" Mower**

Model No. 79455-9900001 & Up

Parts List



Drive Kit Assembly for 44" Mower

Ref.No.	Part No.	Qty.	Description
1	98-9103	1	Double-idler
2	98-9104	1	Bracket-idler mount
3	98-9105	2	Stopper
4	98-3635	1	Arm-idler
5	98-9106	1	Baffle-mower
6	98-9107	1	Baffle-mower
7	98-9108	1	Baffle-mower
8	98-3607	1	Bracket-boot (incl.ref.#32)
9	98-9109	1	Baffle
10	98-9110	1	Baffle
11	98-3676	1	Bracket-latch
12	98-9111	1	Leveller-outside
13	98-9112	1	Leveller-inside
14	98-9113	1	Spacer
15	98-9114	2	Spacer-belt-guard
16	98-9115	1	Arm-idler
17	98-3636	1	Spring
18	98-9116	1	Spacer
19	98-9135	1	Idler-flat
20	98-3629	1	Idler-V
21	98-9102	1	Belt-V (A-96)
22	98-3697	1	Pulley-double
23	98-9122	1	Boot

Ref.No.	Part No.	Qty.	Description
24	614512	2	Screw-machine (pan head) 1/4x 1/2"
25	32128-33	15	Nut-flange 1/4"
26	3269-21	4	Rivet-pop 3/16 no. AD-66BS
27	3272-10	1	Pin-cotter 1/8x3/4"
28	323-8	1	Bolt HH 3/8x1 1/2 3/8-16
29	323-11	1	Bolt HH 3/8x2 1/4"
30	3256-25	6	Washer-flat 7/16" dia hole
31	3296-44	3	Lock nut stover 3/8"
32	93-7010	1	Decal safety
33	3331-2	1	Bolt carr. 3/8x1"
34	321-11	2	Bolt HH 1/4x2"
35	3230-1	4	Bolt carr.5/16x3/4"
36	32128-20	4	Nut-flange 5/16"
37	3256-23	2	Washer-flat 5/16" dia hole
38	3253-3	2	Washer-lock 1/4"
39	32122-42	13	Screw-machine T.H.1/4x1/2
40	98-3632	1	Washer-flange
41	3231-21	2	Bolt carr.3/8x3/4"
42	32-9639	2	Nut-lock nylon 3/8"

