



Count on it.

Parts Catalog

TimeMaster 30in

Lawn Mower

Model No. 21199—Serial No. 403600000 and Up



Ordering Replacement Parts

To order replacement parts, please supply the part number, the quantity, and the description of each part desired.

Understanding Reference Numbers

Each identified part in an illustration has a reference number. The reference number for a part also appears in the parts list, along with other information about the part.

This catalog uses two special reference number formats, one to indicate parts in a service assembly and another to indicate the quantity of a given part in an illustration.

Service Assembly Reference Numbers

Parts in service assemblies have reference numbers in the form a:b. The a represents the reference number of the entire service assembly and the b represents a sequential number unique to each part within the service assembly.

For example, a wheel assembly might be identified by reference number 6, the tire by 6:1, the valve by 6:2, and the wheel by 6:3. When you order the assembly identified by reference number 6, you receive all parts identified by reference numbers 6:1, 6:2, and 6:3. However, you may also order any part individually. Reference numbers of this type appear in illustration and in parts lists.

Reference Numbers Indicating Quantity

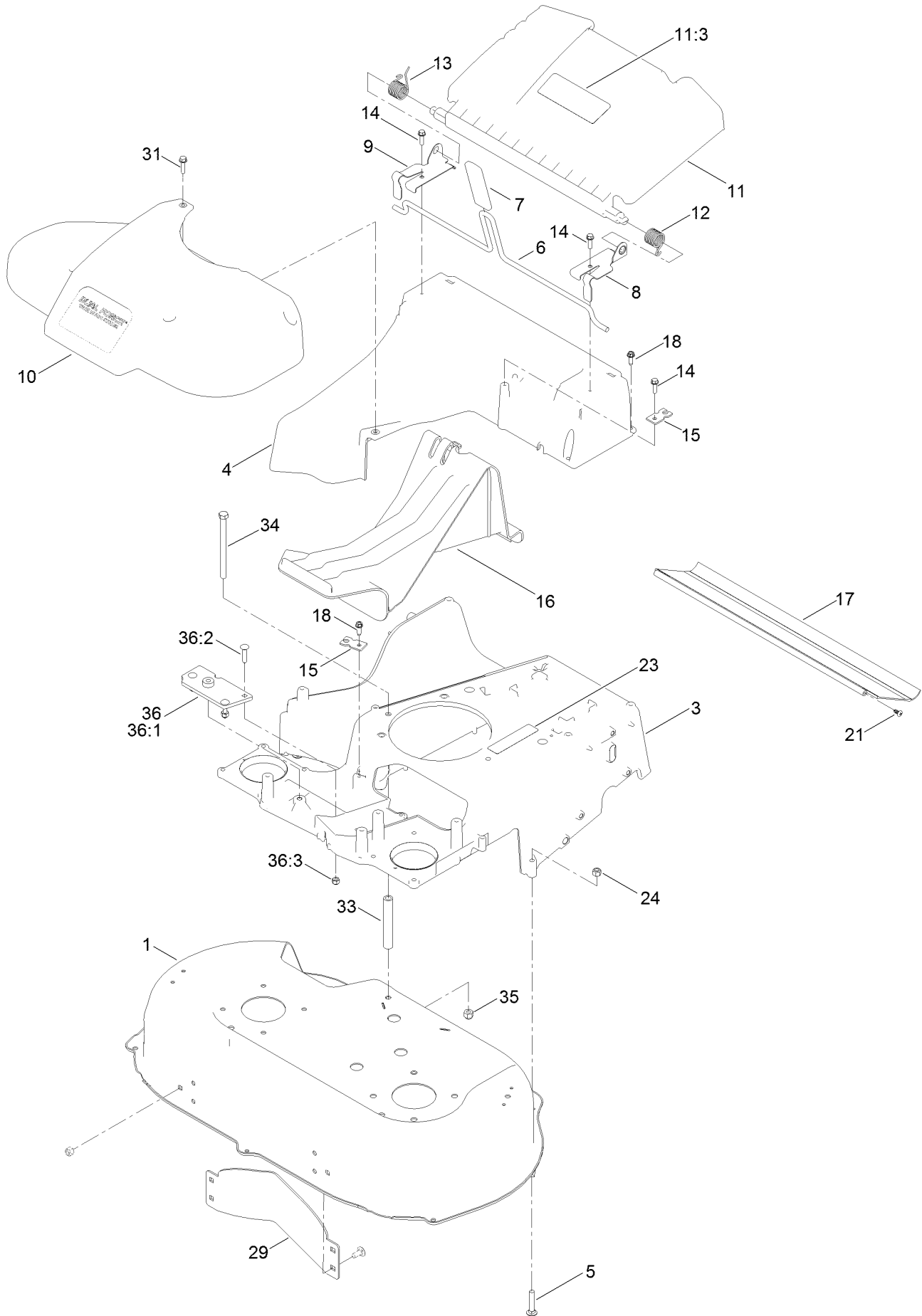
In an illustration, if a reference number indicates more than one part, the reference number has the form nX y. The n represents the quantity of the part, the X is the multiplication symbol, and the y represents the reference number.

For example, in an illustration, the reference number 2X 37 means that two of the parts identified by reference number 37 are indicated.

Contents

Housing Assembly	4
Spindle and Belt Assembly	6
Side Discharge Chute Assembly	8
Bag Assembly	10
Engine and Belt Assembly	12
Front Wheel and Height-of-Cut Assembly	14
Rear Wheel and Height-of-Cut Assembly	16
Handle and Electrical Assembly	18
Attachments and Accessories	20

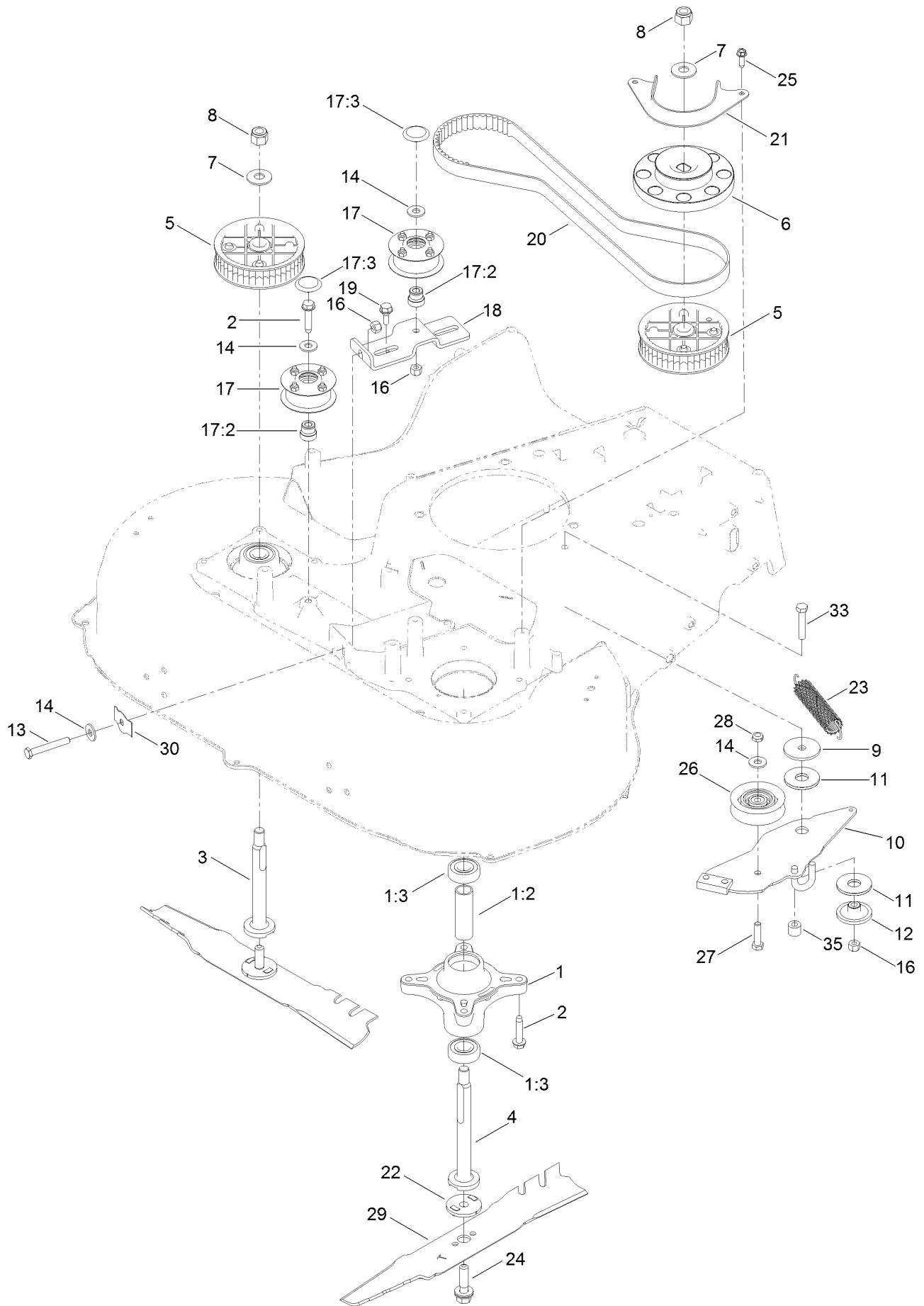
Housing Assembly



Housing Assembly (continued)

<i>Ref.</i>	<i>Part Number</i>	<i>Qty.</i>	<i>Description</i>	<i>Ref.</i>	<i>Part Number</i>	<i>Qty.</i>	<i>Description</i>
1	136-5873	1	Housing ASM	16	120-5225	1	Plug-Mulch
3	136-5908-01	1	Frame	17	120-6241	1	Shield-Trailing
4	133-8177	1	Chute	18	49-2040	8	Screw-HWHTF
5	3230-5	2	Bolt-Car	21	117-1092	2	Screw-PTH
6	120-3344	1	Rod-Release, Handle	23	133-8062	1	Decal-Arrestor, Spark
7	120-7018	1	Grip-Lever	24	3296-29	2	Nut-Lock, NI
8	121-9114	1	Bracket-Door, LH	29	130-2352-01	1	Baffle-Control
9	121-9115	1	Bracket-Door, RH	31	32144-86	1	Screw-HWHTF
10	120-7049	1	Belt Cover ASM	33	1-323283	1	Spacer-Shield
11	120-7048	1	Rear Deflector ASM	34	323-39	1	Screw-HH
11:3	131-4514	1	Decal-Warning	35	3296-39	1	Nut-Lock, NI
12	115-2859	1	Spring-Torsion	36	125-5072	1	Frame Plate Kit
13	114-7924	1	Spring-Torsion	36:1	125-2542	1	Plate-Frame
14	46-8091	3	Screw-HWH	36:2	3229-3	3	Screw-CARR
15	138-3224	2	Bracket-Cable, Traction	36:3	3296-42	3	Nut-Lock, NI

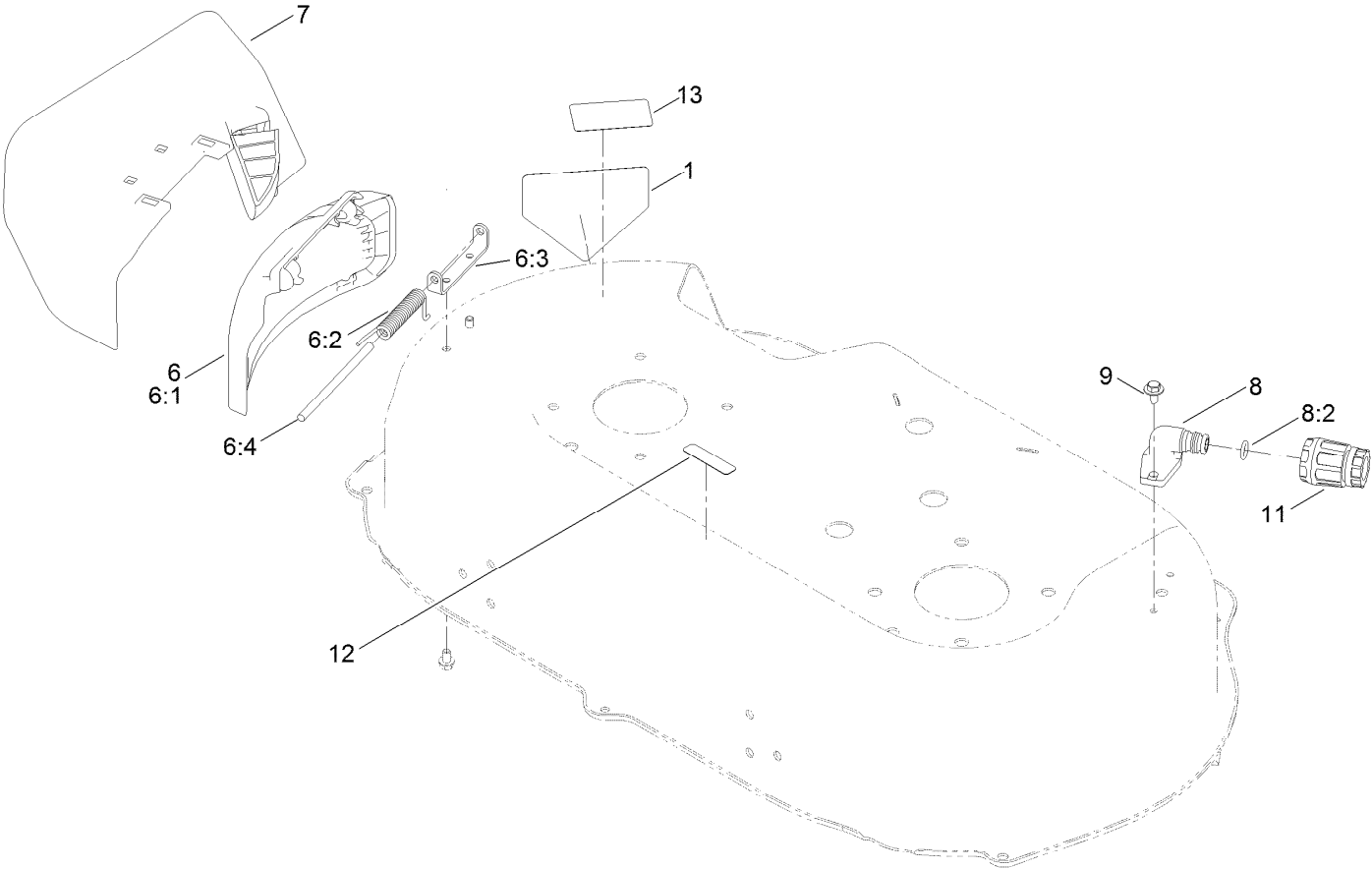
Spindle and Belt Assembly



Spindle and Belt Assembly (continued)

<i>Ref.</i>	<i>Part Number</i>	<i>Qty.</i>	<i>Description</i>	<i>Ref.</i>	<i>Part Number</i>	<i>Qty.</i>	<i>Description</i>
1	121-9107	2	Spindle ASM	17:2	131-4504	1	Adapter-Bore
1:2	120-7935	2	Spacer	17:3	125-2533	1	Plug-Cap
1:3	38-7820	2	Bearing-Ball	18	138-3232	1	Bracket-Idler
2	132-4498	9	Screw-HWH	19	120-7024	2	Screw-Shoulder, HHF
3	120-5234	1	Shaft-Spindle	20	120-3335	1	Belt-Synchronous
4	120-5235	1	Shaft-Spindle	21	120-5245-03	1	Guide-Belt, Spindle
5	121-9100	2	Sprocket	22	120-5236	2	Adapter-Blade
6	130-6664	1	Pulley-Brake, Spindle	23	121-5808	1	Spring-Extension, Brake
7	109-9505	2	Washer-Spring	24	125-2466	2	Bolt-Blade
8	3296-19	2	Nut-Hex	25	49-2040	2	Screw-HWHTF
9	63-7400	1	Washer-Rebound	26	120-7082	1	Pulley-Idler
10	133-8102	1	Brake Arm ASM	27	322-6	1	Screw-HH
11	121-2305	2	Washer-Friction, Composite	28	3296-47	1	Nut-Lock, NI
12	120-9490	1	Spacer	29	116-6358-03	2	Blade-Rotary
13	9114524	1	Bolt-TAP, HH	30	121-2336	1	Spring-Flat
14	3256-3	4	Washer-Flat	33	322-9	1	Screw-HH
16	3296-29	3	Nut-Lock, NI	35	133-1964	1	Hose-Coolant
17	131-4529	2	Pulley Kit				

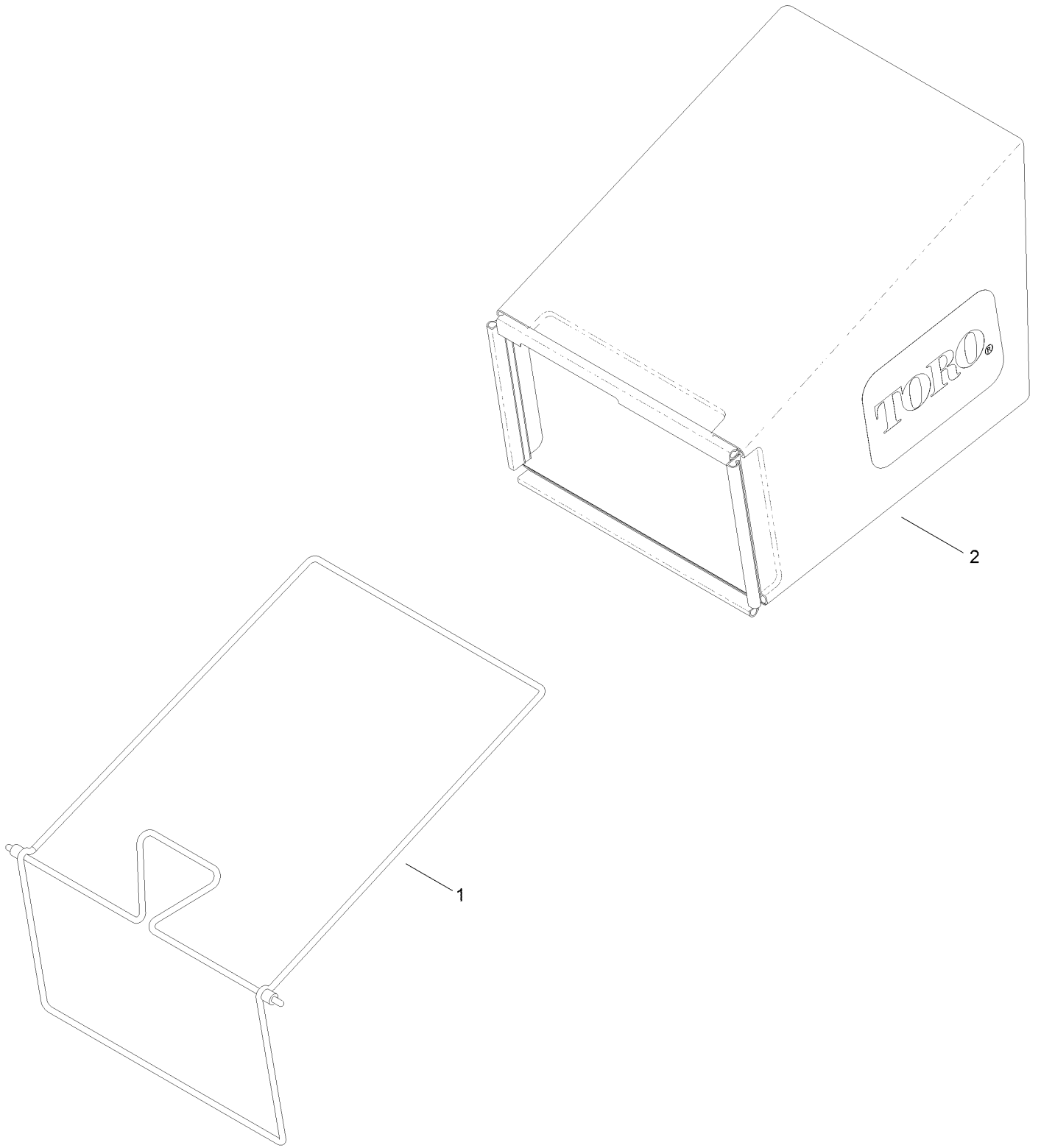
Side Discharge Chute Assembly



Side Discharge Chute Assembly (continued)

<i>Ref.</i>	<i>Part Number</i>	<i>Qty.</i>	<i>Description</i>	<i>Ref.</i>	<i>Part Number</i>	<i>Qty.</i>	<i>Description</i>
1	94-8072	1	Decal-Danger	8	133-9289	1	Fitting-Washout
6	133-2630	1	Side Deflector Service ASM	8:2	133-9290	1	O-Ring
6:1	125-5091	1	Deflector-Side	9	46-8560	2	Screw-HHFTF
6:2	127-0721	1	Spring-Torsion, Cover	11	95-3270	1	Connector-Hose
6:3	112-6416	1	Bracket-Cover	12	120-9570	1	Decal-Warning
6:4	99-5291	1	Rod-Cover	13	125-5092	1	Decal-Placement, Foot
7	121-2319	1	Chute-Discharge, Side				

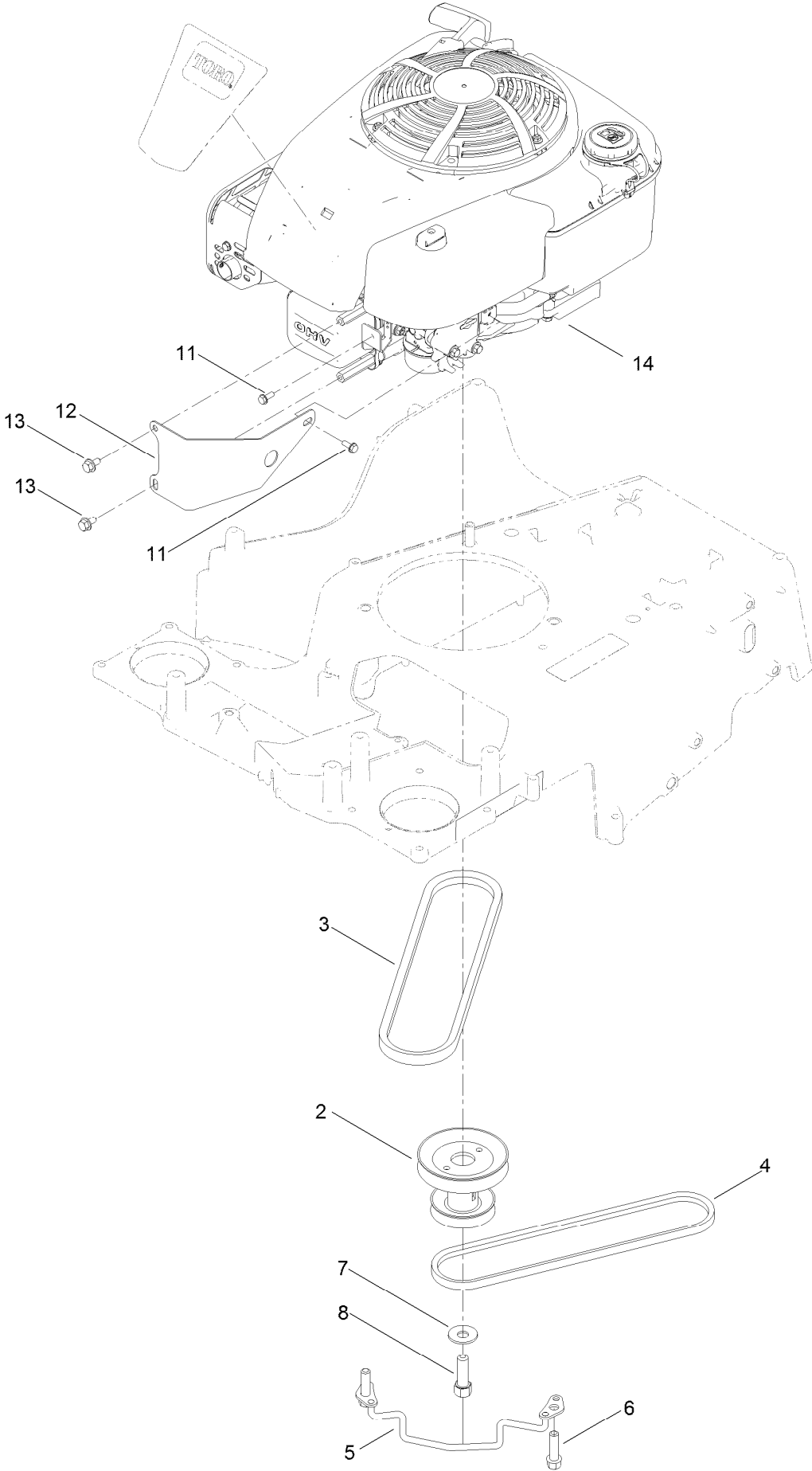
Bag Assembly



Bag Assembly (continued)

<i>Ref.</i>	<i>Part Number</i>	<i>Qty.</i>	<i>Description</i>
1	121-5766-03	1	Frame-Bag
2	121-5770	1	Bag-Grass

Engine and Belt Assembly



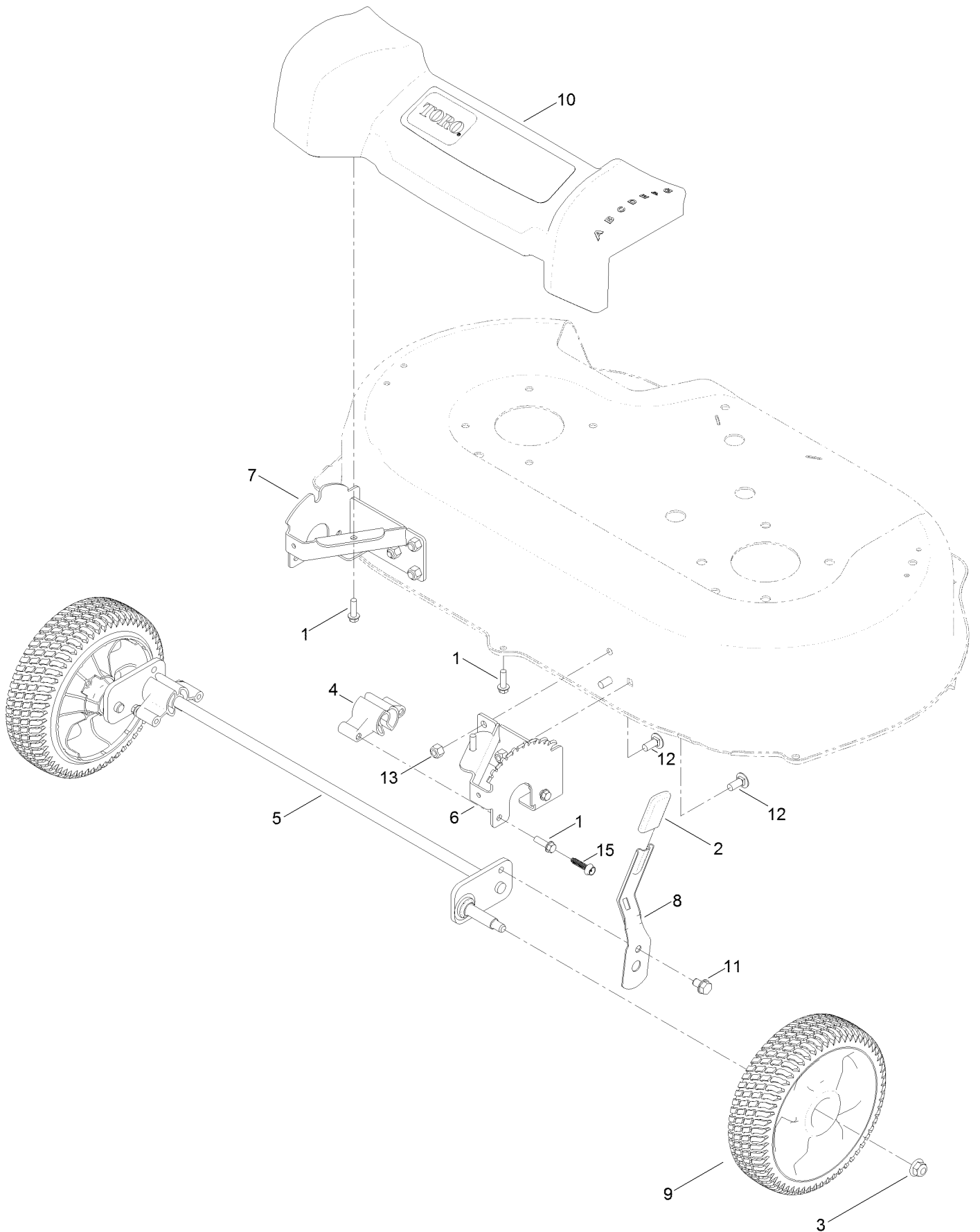
Engine and Belt Assembly (continued)

<i>Ref.</i>	<i>Part Number</i>	<i>Qty.</i>	<i>Description</i>	<i>Ref.</i>	<i>Part Number</i>	<i>Qty.</i>	<i>Description</i>
2	137-9176	1	Pulley-Engine	8	26-0671	1	Screw-HH
3	121-5765	1	V-Belt	11	32144-1	2	Screw-Taptite
4	120-9470	1	V-Belt, Traction	12	131-0889-03	1	Guard-Engine
5	138-5319	1	Guide-Belt	13	126-2713	2	Screw-HHF
6	95-1727	3	Screw-Taptite	14		1	Engine-Briggs, 14D9320110F1 ● ■
7	3290-465	1	Washer-Belleville				

● Not serviced separately

■ Obtain parts from www.briggsandstratton.com

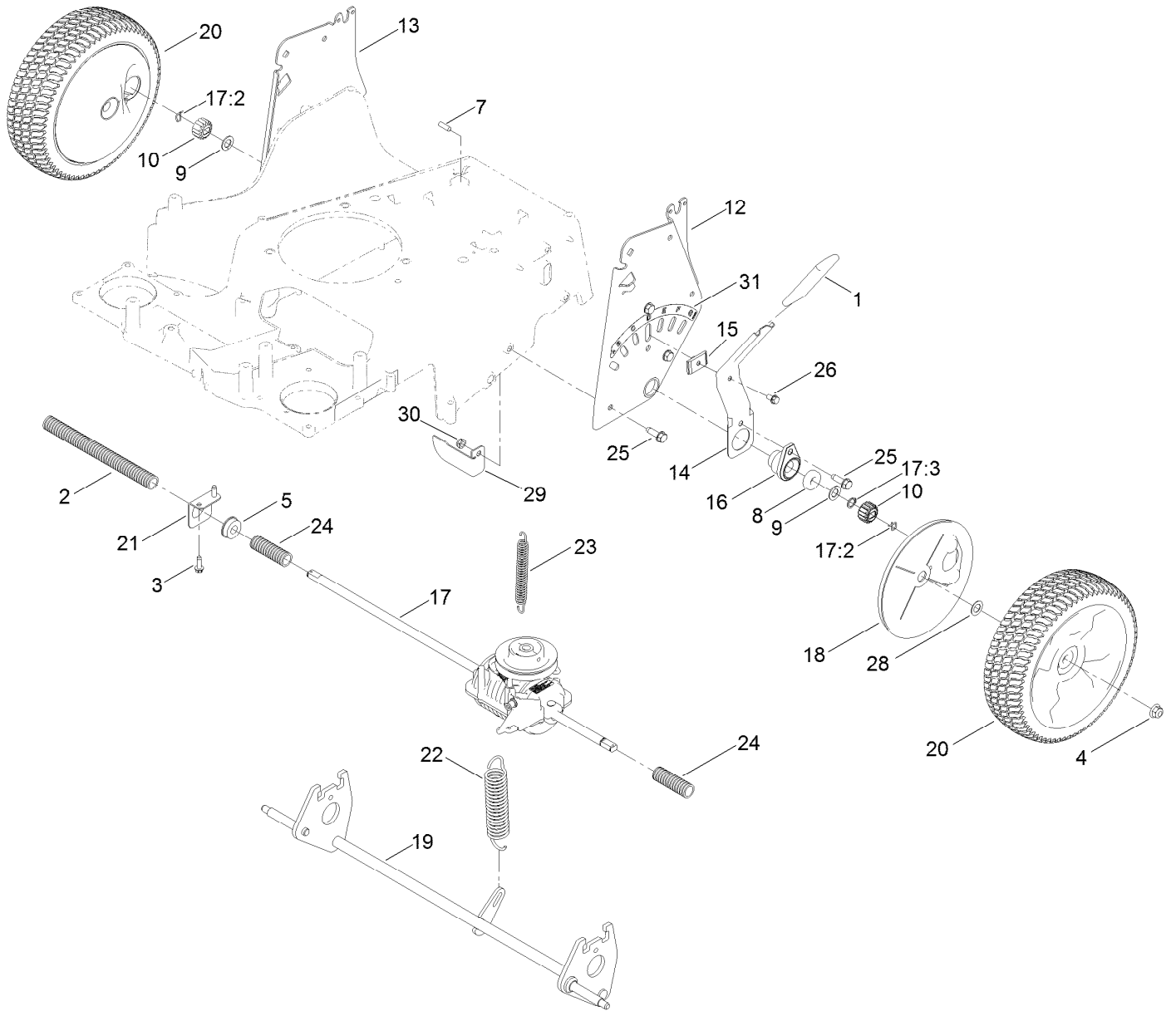
Front Wheel and Height-of-Cut Assembly



Front Wheel and Height-of-Cut Assembly (continued)

<i>Ref.</i>	<i>Part Number</i>	<i>Qty.</i>	<i>Description</i>	<i>Ref.</i>	<i>Part Number</i>	<i>Qty.</i>	<i>Description</i>
1	46-8091	3	Screw-HWH	8	120-7043	1	Arm-Spring
2	120-9535	1	Grip-Lever	9	125-2510	2	8 Inch Wheel ASM
3	104-8301	2	Nut-HF, NI	10	125-5027	1	Front Cover ASM
4	136-5875	2	Bushing-Pivot, Front	11	700057	1	Screw-HWH
5	131-0814	1	Axle-Front	12	3230-23	6	Screw-CARR
6	120-7037-03	1	Plate-HOC, LH	13	3296-29	6	Nut-Lock, NI
7	120-7038-03	1	Plate-HOC, RH	15	130-6658	4	Screw-Flange, Plastic

Rear Wheel and Height-of-Cut Assembly

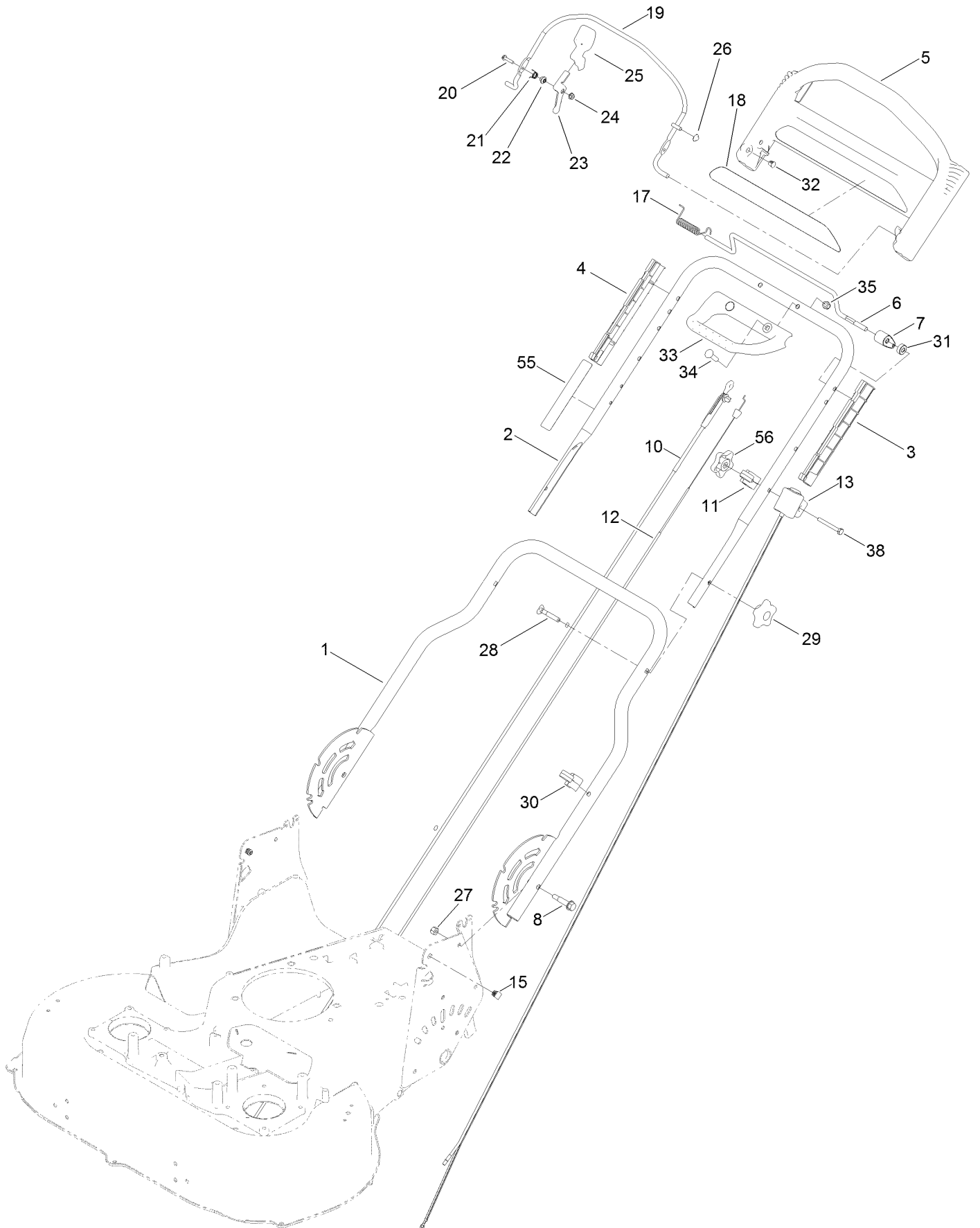


Rear Wheel and Height-of-Cut Assembly (continued)

<i>Ref.</i>	<i>Part Number</i>	<i>Qty.</i>	<i>Description</i>	<i>Ref.</i>	<i>Part Number</i>	<i>Qty.</i>	<i>Description</i>
1	137-4796	1	Grip-Lever, Lift	17:2	130-2369	2	Pin-Snap
2	121-5799	1	Conduit-Convolute	17:3	32151-61	1	Ring-Retaining
3	49-2040	2	Screw-HWHTF	18	120-6233	2	Cover-Gear
4	104-8301	2	Nut-HF, NI	19	131-0815	1	Axle-Rear
5	104-8699	1	Bearing-Ball	20	125-2509	2	10 Inch Wheel Gear ASM
7	106-5681	1	Pin-Stop	21	138-3233	1	Mount-Bearing
8	133-2603	2	Bearing-Ball	22	120-7026	1	Spring-Extension
9	110-7191	2	Washer-Thrust	23	120-7027	1	Spring-Extension
10	131-5399	2	Gear-Pinion, 15T	24	121-5800	2	Conduit-Convolute
12	120-3342-03	1	Plate-HOC, LH	25	701243	8	Screw-Thd Roll, HWH
13	120-3343-03	1	Plate-HOC, RH	26	32144-4	1	Screw-HWH
14	120-5208	1	Arm-Spring, Rear	28	36-4780	2	Washer-Plain
15	120-5209	1	Key-Springarm	29	138-5338	1	Bracket-Stop
16	136-5929	2	Retainer-Bearing	30	3296-47	1	Nut-Lock, NI
17	131-9665	1	Transmission Kit	31	125-2497	1	Decal-HOC, Rear
17:1:1	130-2370	1	Transmission Pulley Kit ●				

● Not illustrated

Handle and Electrical Assembly



Handle and Electrical Assembly (continued)

<i>Ref.</i>	<i>Part Number</i>	<i>Qty.</i>	<i>Description</i>	<i>Ref.</i>	<i>Part Number</i>	<i>Qty.</i>	<i>Description</i>
1	120-5204-05	1	Handle-Lower	22	107-7463	1	Spacer
2	132-4484-05	1	Handle-Upper	23	138-3220	1	Lever
3	105-6842	1	Guide-LH	24	32128-17	1	Nut-Lock, Flange
4	105-6841	1	Guide-RH	25	112-8884	1	Knob
5	104-8678	1	Handle-Control	26	3290-337	1	Nut-Speed
6	136-7150	1	Bar-Control, Traction	27	3296-29	2	Nut-Lock, NI
7	127-6842	1	Lever-Traction	28	92-2260	2	Screw-Handle
8	120-7025	2	Bolt-Shoulder, HHF	29	117-5976	2	Knob-Handle
10	133-1998	1	Cable-Brake	30	114-7988	1	Guide-Cable
11	136-5864	1	Anchor-Cable	31	130-2343	1	Spacer
12	127-6867	1	Cable-Traction	32	104-9368	1	Plug-Dome
13	117-5975	1	Switch Housing ASM	33	131-0847	1	Handle-Assist, Traction
15	132-4516	2	Plug-Square	34	99-6005	2	Bolt-Carriage
17	136-7166	1	Spring-Torsion	35	131-4535	2	Nut-Acorn
18	117-1019	1	Decal	38	321-50	1	Screw-HH
19	108-3788-03	1	Bail-Brake	55	132-4470	1	Decal-Traction, Adjust
20	106-9169	1	Screw-HWH	56	131-0897	1	Knob-Handle, Locking
21	107-7462	1	Spring-Torsion	99	614249	2	Tie-Cable ●

● Not illustrated

Attachments and Accessories

For 21199 TimeMaster 30in Lawn Mower

Product Name	Model/Part
All Season Synthetic Oil (10W30, QT)	117-0066
Fuel Stabilizer .05 oz	130-2393
4-Cycle Fuel, Snow And Lawn 32oz Can	131-3823
Toro Premium Fuel Treatment 12 Oz Bottle	131-6572
Replacement Blade Kit	20120P
Lawn Striping Kit with 22in Roller.....	20601
Toro 4-Cycle SAE 30 Oil (32oz Bottle)	38903
Summer Oil-Case of 24 (20oz Bottles).....	38916
Bag-Walk Behind (Toro).....	490-7318
Mower Cover	490-7461
Bagger Kit.....	59165

Notes:

Notes:

Notes:



Count on it.