



Count on it.

Parts Catalog

Super Recycler®

Lawn Mower

Model No. 20384—Serial No. 404314000 and Up



Ordering Replacement Parts

To order replacement parts, please supply the part number, the quantity, and the description of each part desired.

Understanding Reference Numbers

Each identified part in an illustration has a reference number. The reference number for a part also appears in the parts list, along with other information about the part.

This catalog uses two special reference number formats, one to indicate parts in a service assembly and another to indicate the quantity of a given part in an illustration.

Service Assembly Reference Numbers

Parts in service assemblies have reference numbers in the form a:b. The a represents the reference number of the entire service assembly and the b represents a sequential number unique to each part within the service assembly.

For example, a wheel assembly might be identified by reference number 6, the tire by 6:1, the valve by 6:2, and the wheel by 6:3. When you order the assembly identified by reference number 6, you receive all parts identified by reference numbers 6:1, 6:2, and 6:3. However, you may also order any part individually. Reference numbers of this type appear in illustration and in parts lists.

Reference Numbers Indicating Quantity

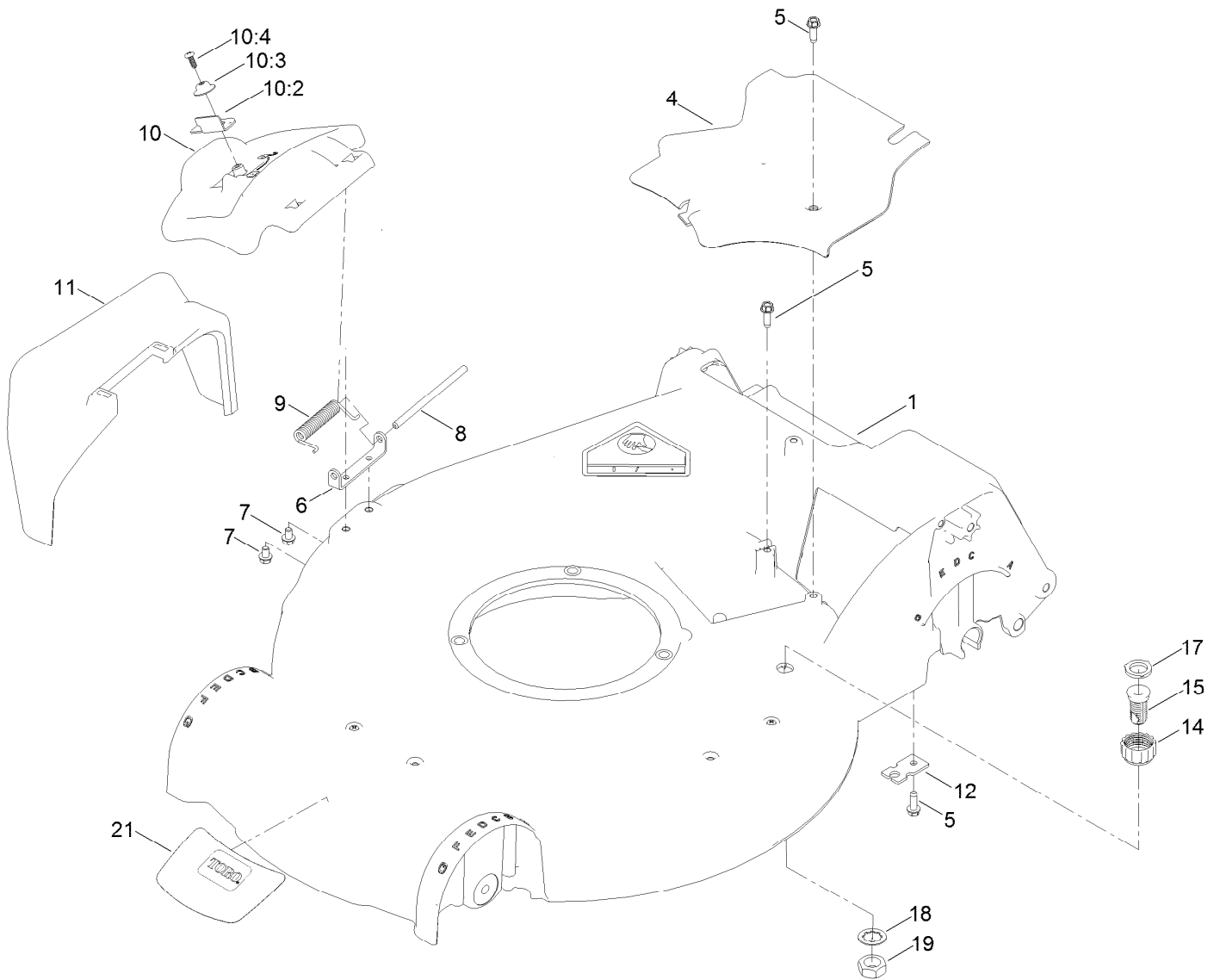
In an illustration, if a reference number indicates more than one part, the reference number has the form nX y. The n represents the quantity of the part, the X is the multiplication symbol, and the y represents the reference number.

For example, in an illustration, the reference number 2X 37 means that two of the parts identified by reference number 37 are indicated.

Contents

Housing Assembly	4
Housing Assembly No. 115-2854	6
Rear Door and Mulch Plug Assembly	8
Bag Assembly	10
Engine and Blade Assembly	12
Fuel System and Carburetor Assembly	14
Air Intake and Filtration Assembly	16
Ignition and Electrical Assembly	18
Crankcase Assembly	20
Governor Assembly	22
Piston and Cylinder Head Assembly	24
Blower Housing Assembly	26
Front Wheel and Height-of-Cut Assembly	28
Rear Wheel and Height-of-Cut Assembly	30
Handle Assembly	32
Electrical Assembly	34
Attachments and Accessories	36

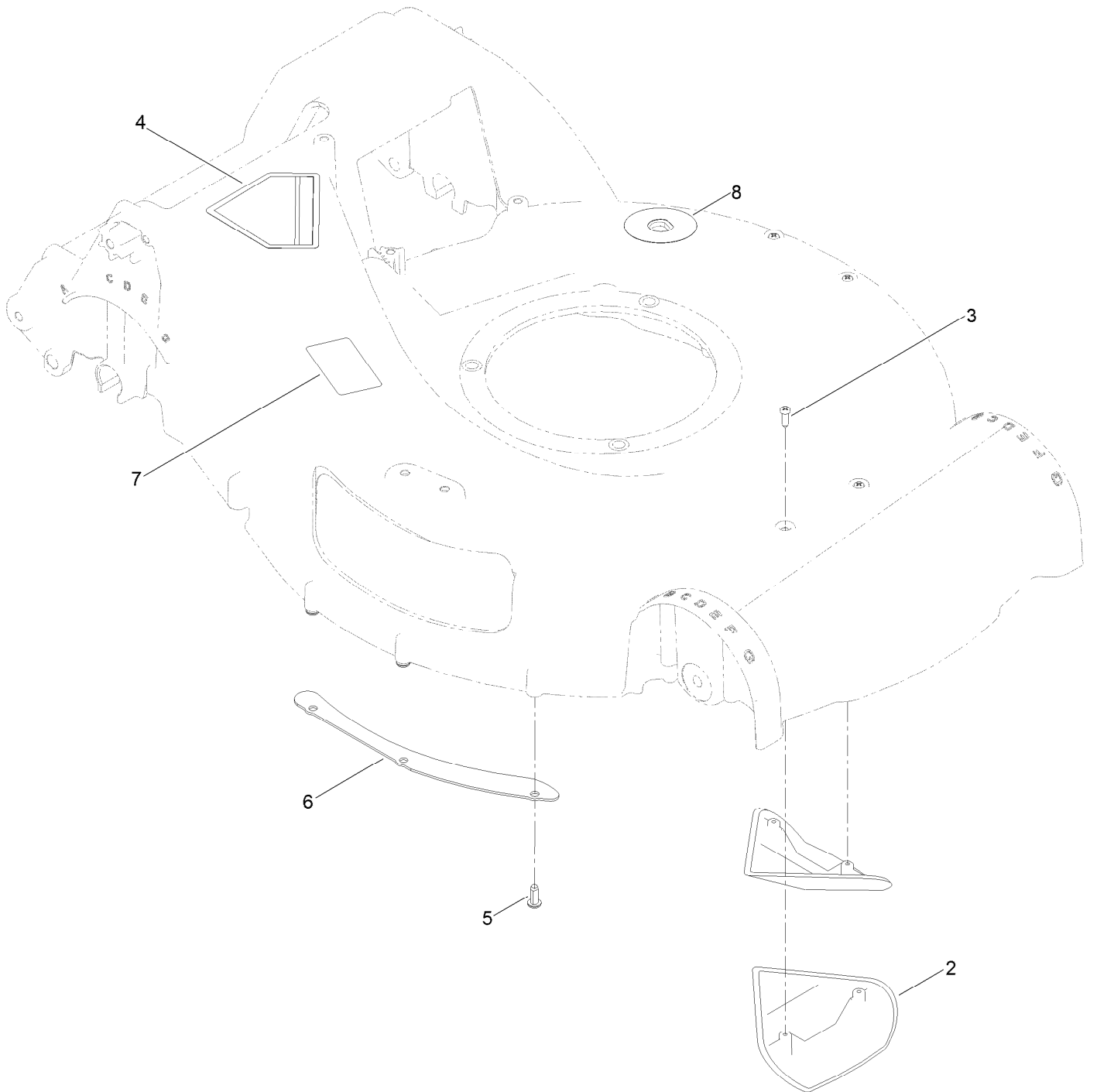
Housing Assembly



Housing Assembly (continued)

<i>Ref.</i>	<i>Part Number</i>	<i>Qty.</i>	<i>Description</i>	<i>Ref.</i>	<i>Part Number</i>	<i>Qty.</i>	<i>Description</i>
1	115-2854	1	Housing ASM	10:4	107-7461	1	Screw-Plastite
4	107-7494	1	Cover-Belt	11	108-3753	1	Chute-Discharge, Side
5	49-2040	2	Screw-HWHTF	12	138-3224	1	Bracket-Cable, Traction
6	112-6416	1	Bracket-Cover	14	112-6401	1	Coupling-Hose, Washout Port
7	99-8445	2	Screw-HWH	15	112-6400	1	Port-Washout
8	99-5291	1	Rod-Cover	17	112-6438	1	Washer-Seal, Washout Port
9	99-5293	1	Spring-Torsion	18	3254-5	1	Washer-Lock
10	107-3717	1	Discharge Door ASM	19	3218-6	1	Nut-Jam
10:2	107-0795	1	Latch-Door	21	136-7097	1	Decal-Deck
10:3	107-7456	1	Cap-Door				

Housing Assembly No. 115-2854

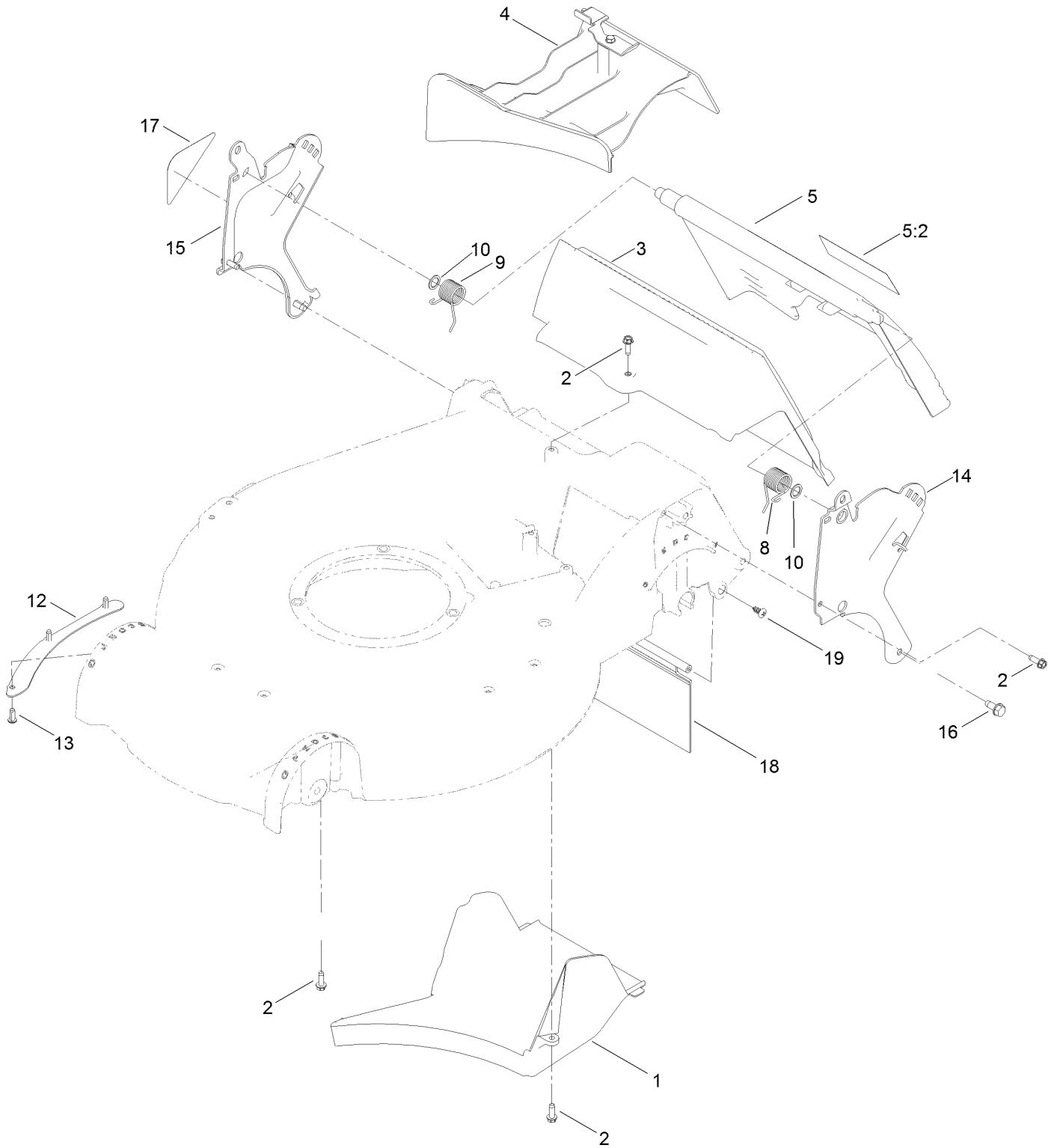


Housing Assembly No. 115-2854 (continued)

<i>Ref.</i>	<i>Part Number</i>	<i>Qty.</i>	<i>Description</i>
2	108-3798	2	Kicker-Housing
3	32144-111	4	Screw-PPH
4	94-8072	1	Decal-Danger
5	63-8590	3	Screw

<i>Ref.</i>	<i>Part Number</i>	<i>Qty.</i>	<i>Description</i>
6	105-1316-03	1	Sheet-Lip
7	125-5092	1	Decal-Placement, Foot
8	137-9196	1	Decal-Quick Wash

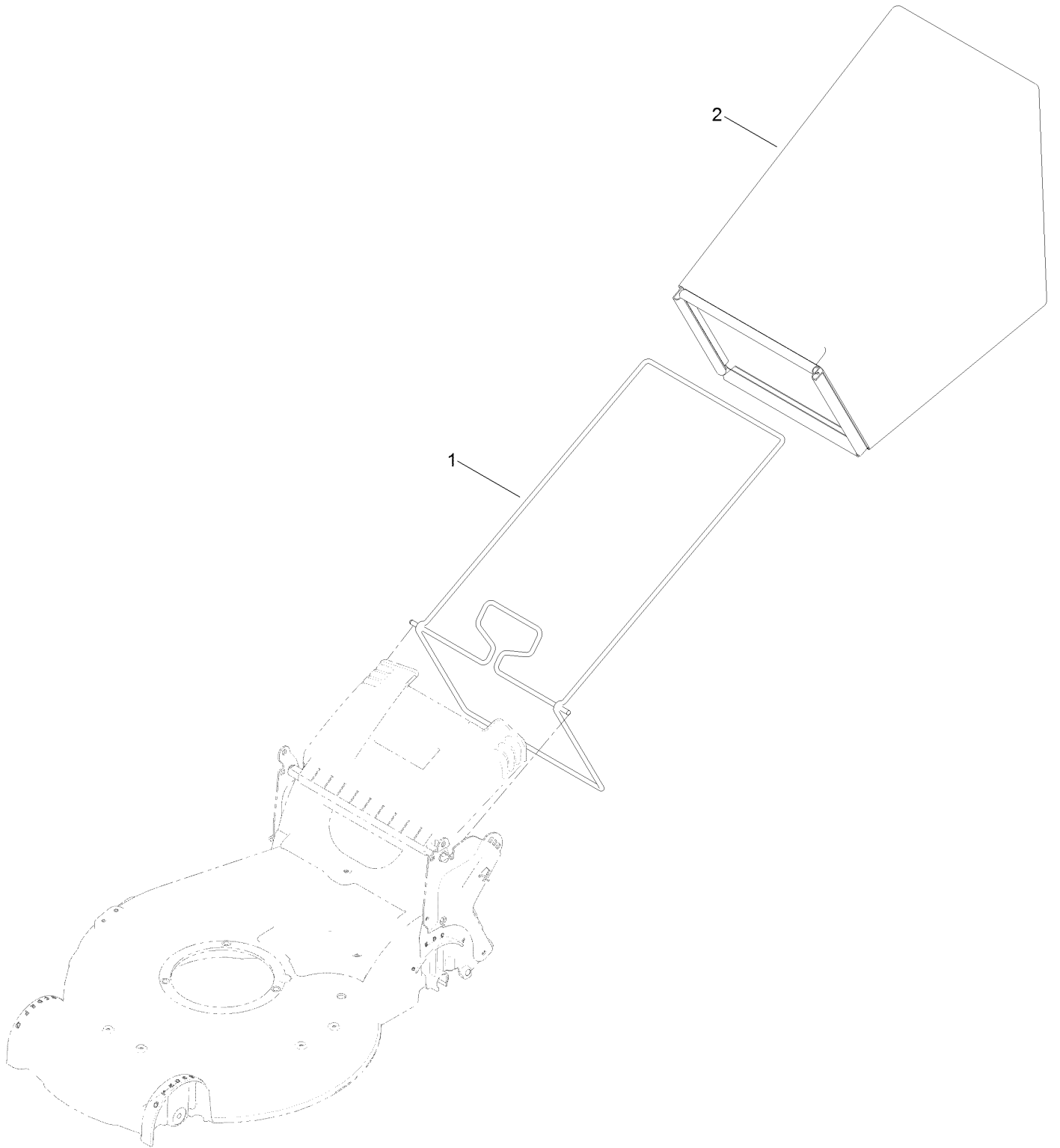
Rear Door and Mulch Plug Assembly



Rear Door and Mulch Plug Assembly (continued)

<i>Ref.</i>	<i>Part Number</i>	<i>Qty.</i>	<i>Description</i>	<i>Ref.</i>	<i>Part Number</i>	<i>Qty.</i>	<i>Description</i>
1	107-7495	1	Tunnel-Discharge	12	105-1316-03	1	Sheet-Lip
2	49-2040	5	Screw-HWHTF	13	63-8590	3	Screw
3	114-2668	1	Chute	14	114-2671-03	1	Bracket-Handle, LH
4	115-8413	1	Mulch Plug ASM	15	114-2672-03	1	Bracket-Handle, RH
5	137-9139	1	Rear Door ASM	16	32144-11	2	Screw-Thd Roll, HWH
5:2	131-4514	1	Decal-Warning	17	115-2884	1	Decal-Instruction
8	115-2859	1	Spring-Torsion	18	120-7011	1	Shield-Trailing
9	114-7924	1	Spring-Torsion	19	117-1092	2	Screw-PTH
10	94-8196	2	Washer-Nylon				

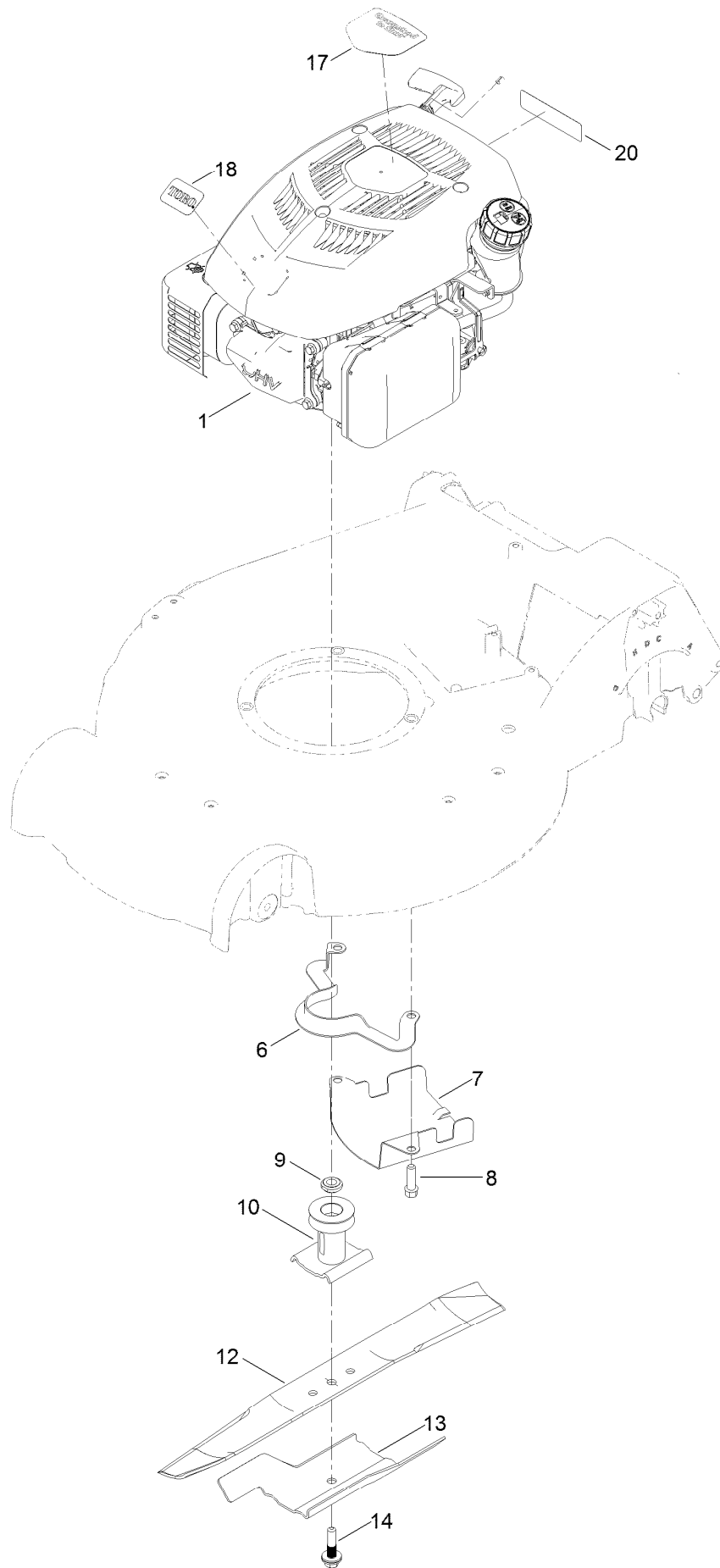
Bag Assembly



Bag Assembly (continued)

<i>Ref.</i>	<i>Part Number</i>	<i>Qty.</i>	<i>Description</i>
1	132-4529-03	1	Bag Frame ASM
2	114-2664	1	Grass Bag ASM

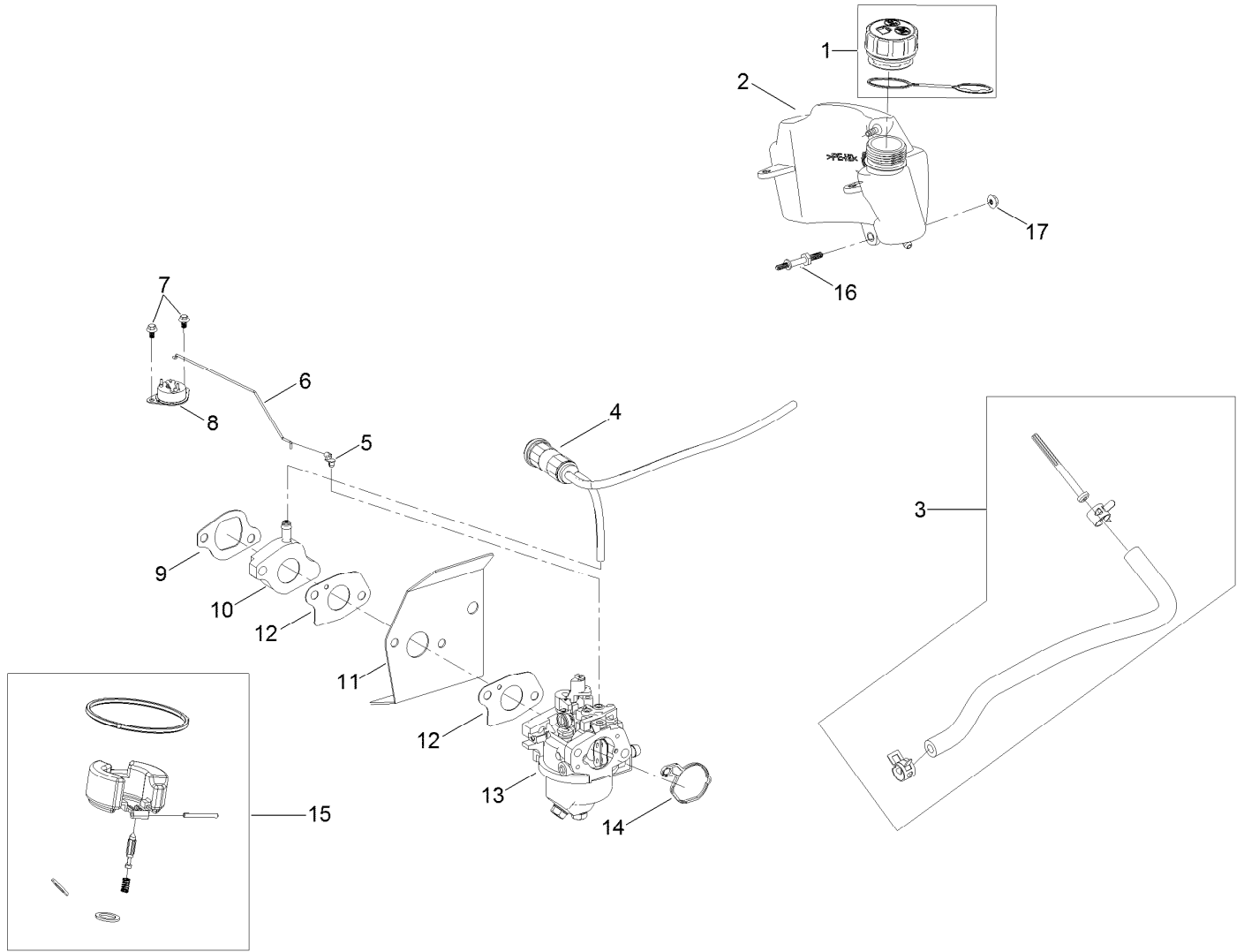
Engine and Blade Assembly



Engine and Blade Assembly (continued)

<i>Ref.</i>	<i>Part Number</i>	<i>Qty.</i>	<i>Description</i>	<i>Ref.</i>	<i>Part Number</i>	<i>Qty.</i>	<i>Description</i>
1	136-7856	1	Engine-1P65F-2	12	133-8183-03	1	Blade-21In, Recycling
6	108-8110-03	1	Guide-Belt	13	105-6848-03	1	Accelerator-Blade
7	107-7489-03	1	Shield-Grass	14	125-2466	1	Bolt-Blade
8	95-1727	3	Screw-Taptite	17	136-9054	1	Decal-Shroud
9	106-3999	1	Spacer-Driver	18	136-5863	1	Decal
10	106-3987	1	Driver-Blade	20	133-8062	1	Decal-Arrestor, Spark

Fuel System and Carburetor Assembly

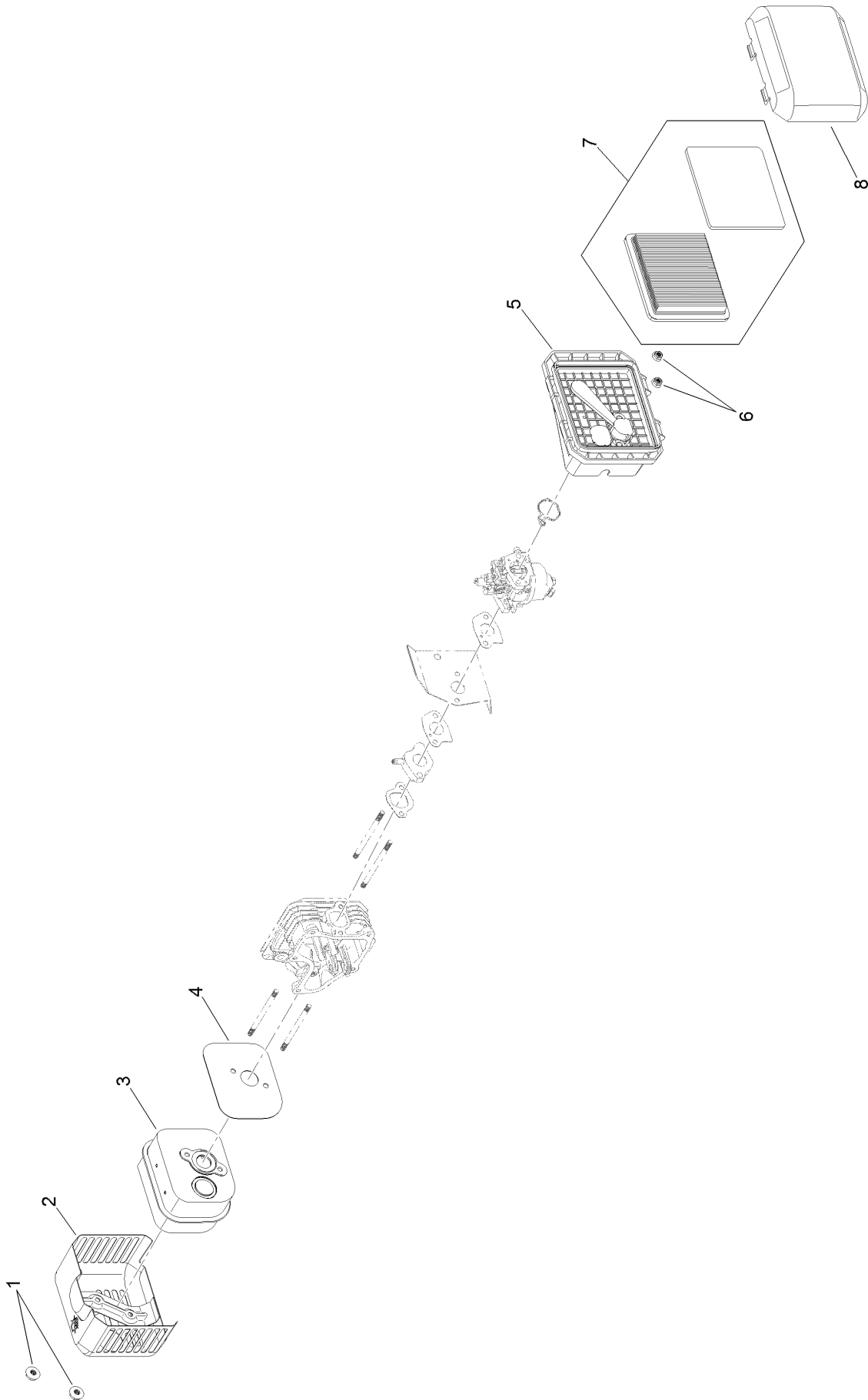


Fuel System and Carburetor Assembly (continued)

<i>Ref.</i>	<i>Part Number</i>	<i>Qty.</i>	<i>Description</i>	<i>Ref.</i>	<i>Part Number</i>	<i>Qty.</i>	<i>Description</i>
1	136-7875	1	Cap-Fuel, Sealed	10	133-9902	1	Spacer-Carburetor
2	133-9888	1	Tank-Fuel	11	133-9901	1	Insulator-Carburetor
3	121-4167	1	Fuel Line Kit	12	121-4184	2	Gasket-Carburetor
4	133-9874	1	Canister-Carbon, 19 Cc	13	133-9900	1	Carburetor
5	120-4451	1	Lock-Throttle	14	133-9899	1	Gasket-Carburetor
6	133-9909	1	Linkage-Choke, Thermal	15	127-9395	1	Internal Carb Service Kit
7	133-9908	2	Screw-HWHTF	16	121-0016	1	Bolt-Stud
8	133-9907	1	Control-Thermal	17	120-4236	1	Nut-Flange
9	121-4183	1	Gasket-Intake	99	133-9943	1	High Altitude Kit ●

● Not illustrated

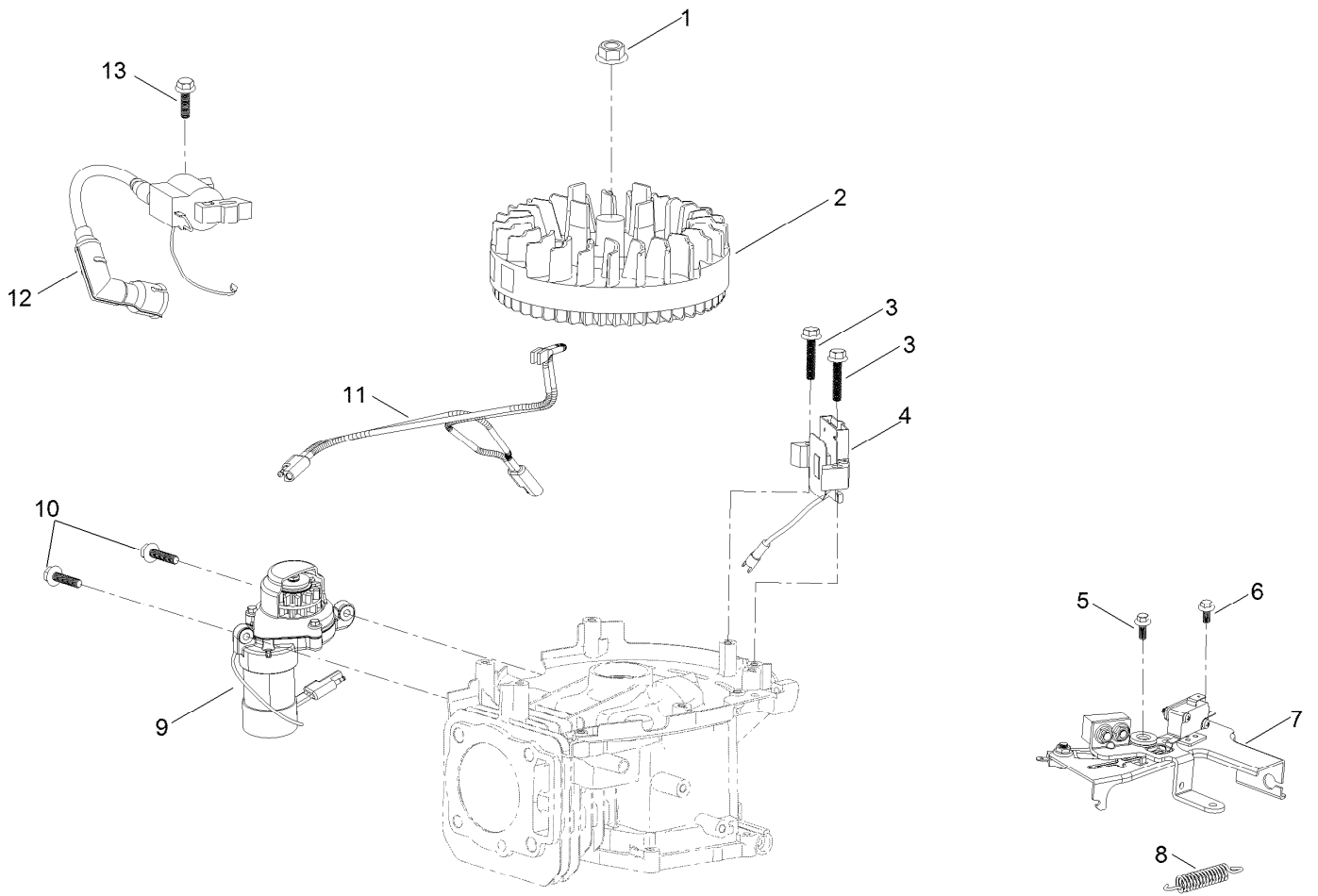
Air Intake and Filtration Assembly



Air Intake and Filtration Assembly (continued)

<i>Ref.</i>	<i>Part Number</i>	<i>Qty.</i>	<i>Description</i>	<i>Ref.</i>	<i>Part Number</i>	<i>Qty.</i>	<i>Description</i>
1	121-0010	2	Nut-Flange	5	133-9928	1	Air Cleaner Base
2	133-9906	1	Shield-Muffler	6	120-4236	2	Nut-Flange
3	121-0166	1	Muffler ASM	7	119-1909	1	Air Filter And Prefilter Kit
4	121-0034	1	Gasket-Exhaust	8	121-0364	1	Cover-Cleaner, Air

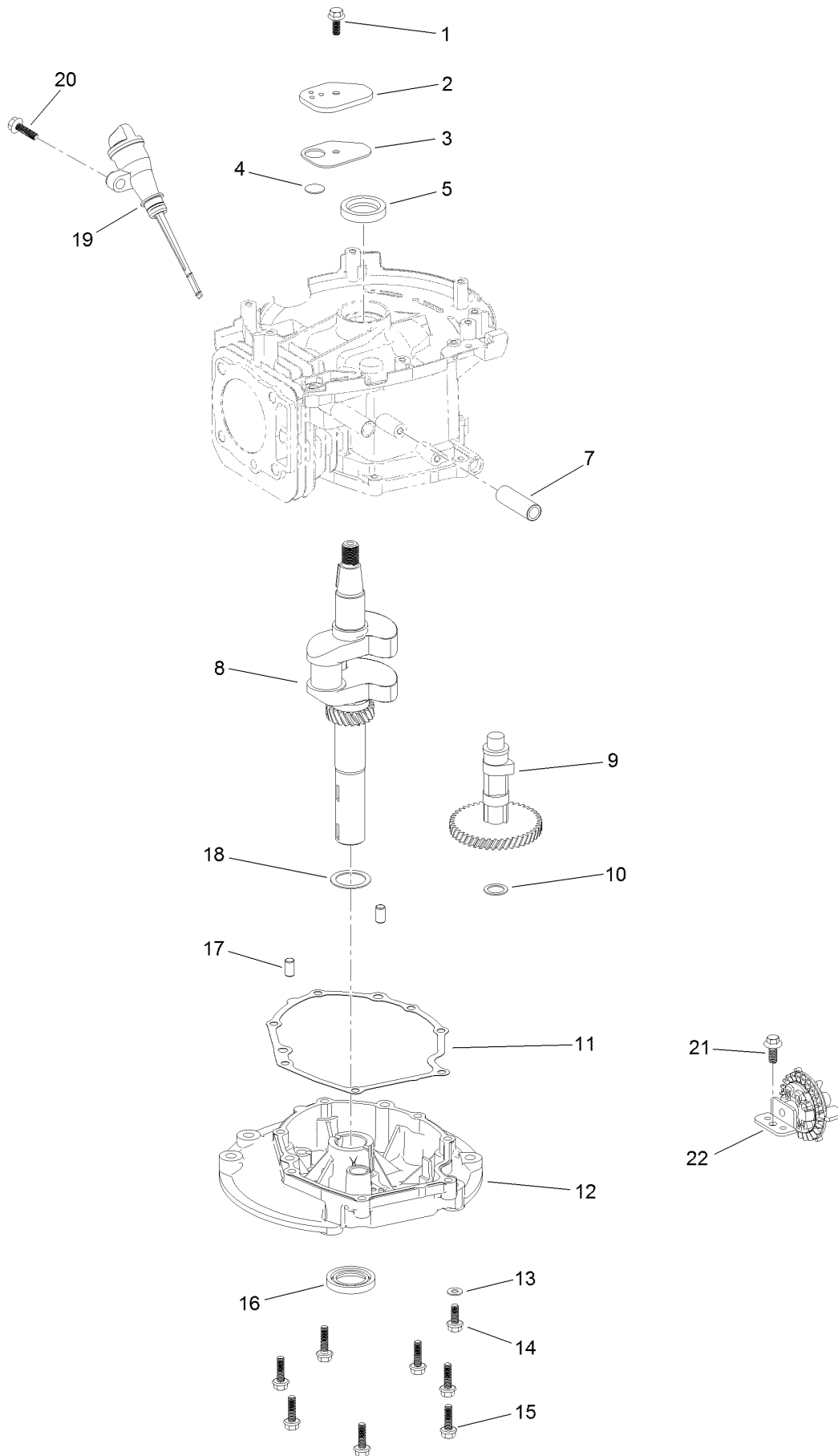
Ignition and Electrical Assembly



Ignition and Electrical Assembly (continued)

<i>Ref.</i>	<i>Part Number</i>	<i>Qty.</i>	<i>Description</i>	<i>Ref.</i>	<i>Part Number</i>	<i>Qty.</i>	<i>Description</i>
1	121-0047	1	Nut-Flange	8	133-9890	1	Spring-Brake
2	139-0619	1	Flywheel	9	139-0617	1	Motor-Starter
3	120-4223	2	Screw-HHF	10	120-4225	2	Screw-HHF
4	136-7861	1	Alternator	11	133-9921	1	Harness-Motor, Starter
5	121-0007	1	Bolt-Flange	12	136-7870	1	Ignition Coil ASM
6	120-4232	1	Screw-HHF	13	120-4225	1	Screw-HHF
7	136-7873	1	Brake ASM				

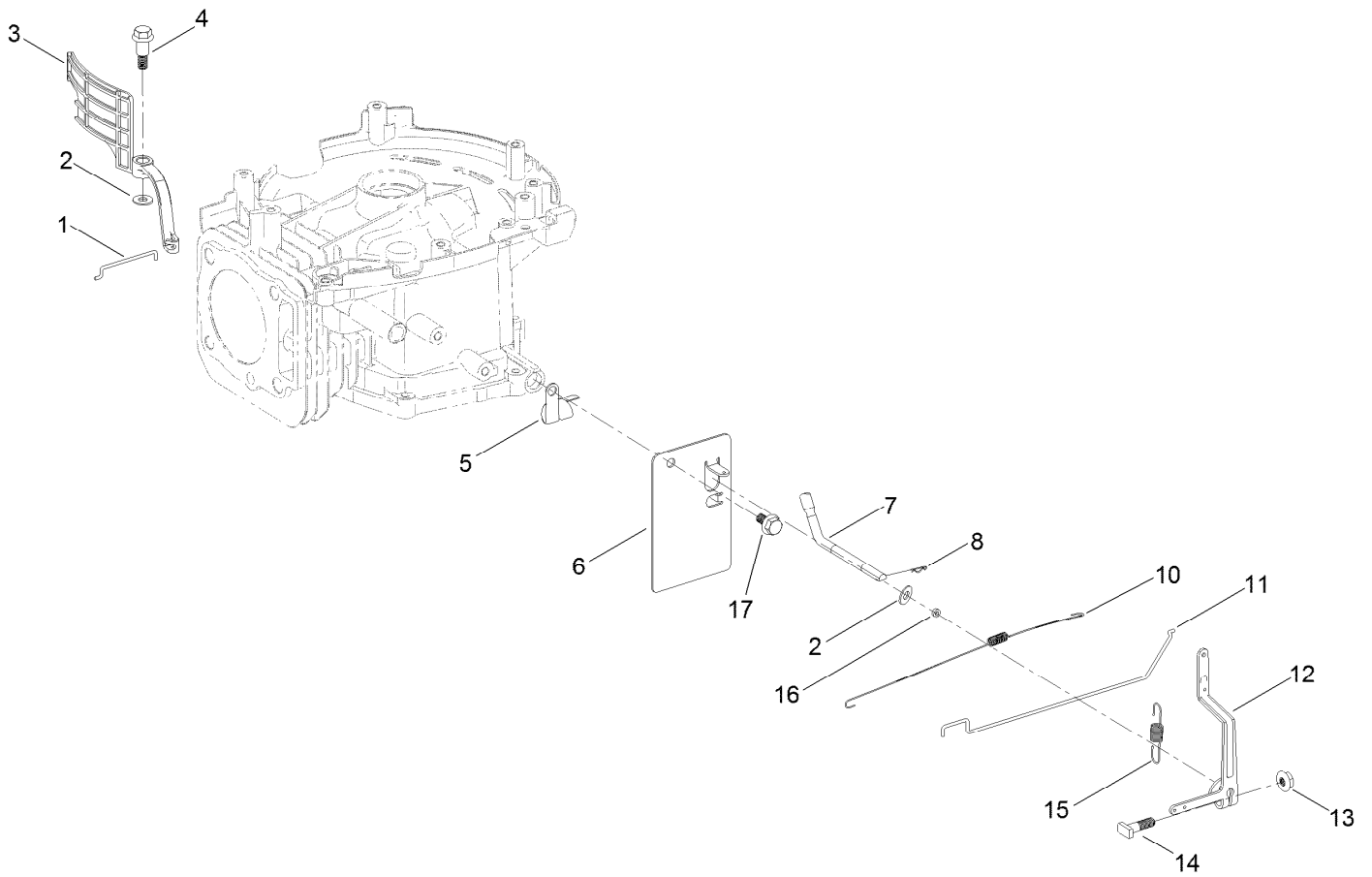
Crankcase Assembly



Crankcase Assembly (continued)

<i>Ref.</i>	<i>Part Number</i>	<i>Qty.</i>	<i>Description</i>	<i>Ref.</i>	<i>Part Number</i>	<i>Qty.</i>	<i>Description</i>
1	120-4216	1	Screw-HHF	13	121-0048	1	Washer-Plain
2	133-9882	1	Cover-Breather	14	121-0030	1	Screw-HHF
3	133-9883	1	Gasket-Cover, Breather	15	120-4223	7	Screw-HHF
4	133-9884	1	Valve-Breather	16	121-0022	1	Seal-Oil
5	121-0019	1	Seal-Oil	17	121-0054	2	Pin-Dowel
7	133-9911	1	Tube-Breather	18	136-7863	1	Washer-Flat
8	133-9894	1	Crankshaft ASM	19	133-9886	1	Dipstick And Fill Tube Kit
9	121-4174	1	Camshaft ASM	20	121-0007	1	Bolt-Flange
10	121-0051	1	Washer-Flat	21	121-0369	1	Screw-HWH, Thd Form
11	133-9895	1	Gasket-Cover, Case	22	136-7864	1	Governor Gear ASM
12	133-9897	1	Cover-Crankcase				

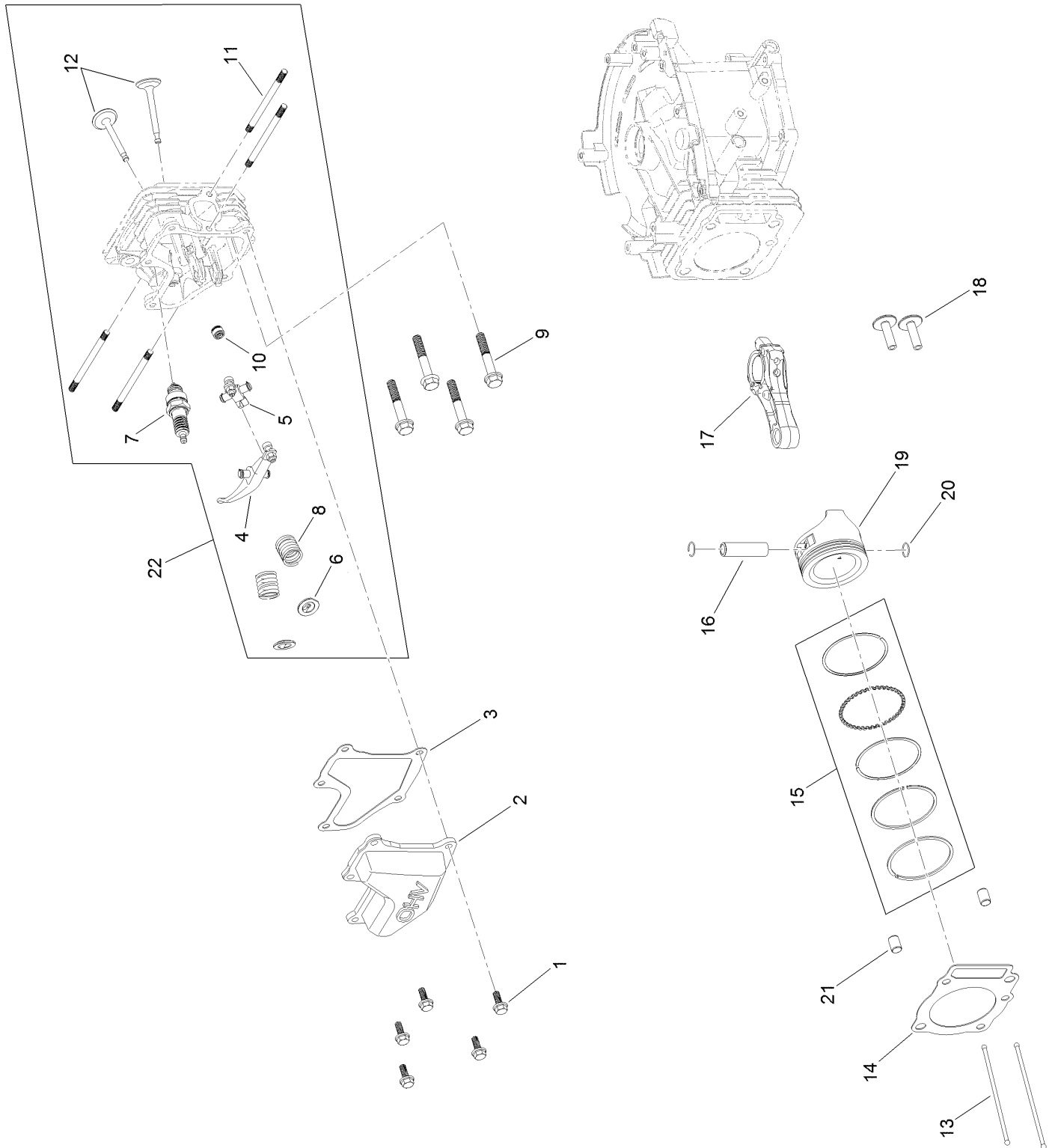
Governor Assembly



Governor Assembly (continued)

<i>Ref.</i>	<i>Part Number</i>	<i>Qty.</i>	<i>Description</i>	<i>Ref.</i>	<i>Part Number</i>	<i>Qty.</i>	<i>Description</i>
1	133-9880	1	Linkage-Choke	10	121-0023	1	Spring-Return, Throttle
2	136-7866	2	Washer-Flat	11	133-9892	1	Rod-Governor
3	133-9879	1	Air Vane-Autochoke	12	121-0028	1	Arm-Governor
4	127-9196	1	Screw-Shoulder, HWH	13	120-4236	1	Nut-Flange
5	121-0017	1	Clip-Harness, Wire	14	120-4238	1	Bolt-Arm, Governor
6	133-9891	1	Plate-Control, Throttle	15	133-9893	1	Spring-Governor
7	136-7865	1	Arm-Governor	16	121-0021	1	Seal-Oil
8	120-4256	1	Pin-Hair	17	120-4216	1	Screw-HHF

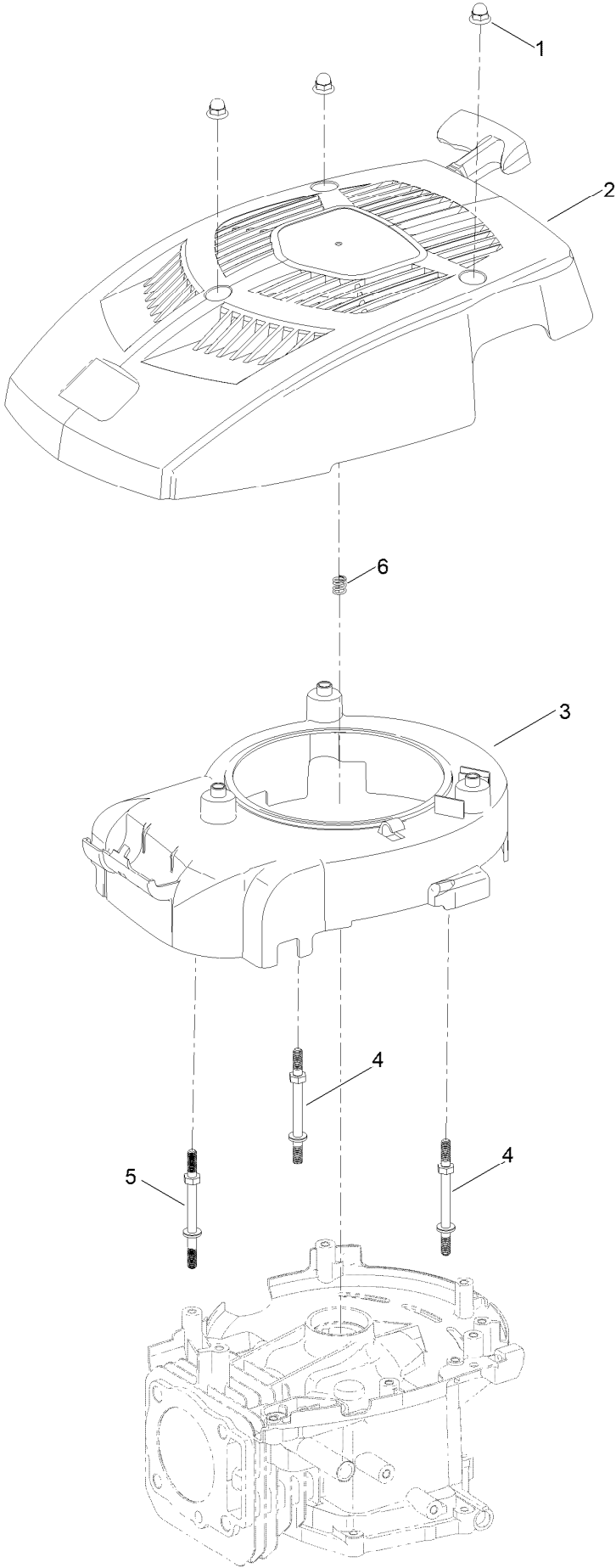
Piston and Cylinder Head Assembly



Piston and Cylinder Head Assembly (continued)

<i>Ref.</i>	<i>Part Number</i>	<i>Qty.</i>	<i>Description</i>	<i>Ref.</i>	<i>Part Number</i>	<i>Qty.</i>	<i>Description</i>
1	120-4232	5	Screw-HHF	12	121-4192	1	Valve Set
2	133-9905	1	Cover-Valve	13	121-4193	2	Rod-Push
3	133-9904	1	Gasket-Cover, Valve	14	133-9910	1	Gasket-Head
4	136-7868	1	Exhaust Rocker Arm ASM	15	121-4171	1	Piston Ring Set
5	136-7869	1	Intake Rocker Arm ASM	16	120-4467	1	Pin-Piston
6	120-4474	2	Retainer-Valve, Spring	17	120-4469	1	Connecting Rod ASM
7	121-0187	1	Spark Plug	18	120-4477	2	Tappet-Valve
8	120-4473	2	Spring-Valve	19	121-4173	1	Piston
9	121-0043	4	Bolt-Flange	20	121-0052	2	Clip-Pin, Wrist
10	121-4202	1	Seal-Stem, Valve	21	121-0053	2	Pin-Dowel
11	121-0045	4	Stud-Exhaust	22	136-7890	1	Complete Head ASM

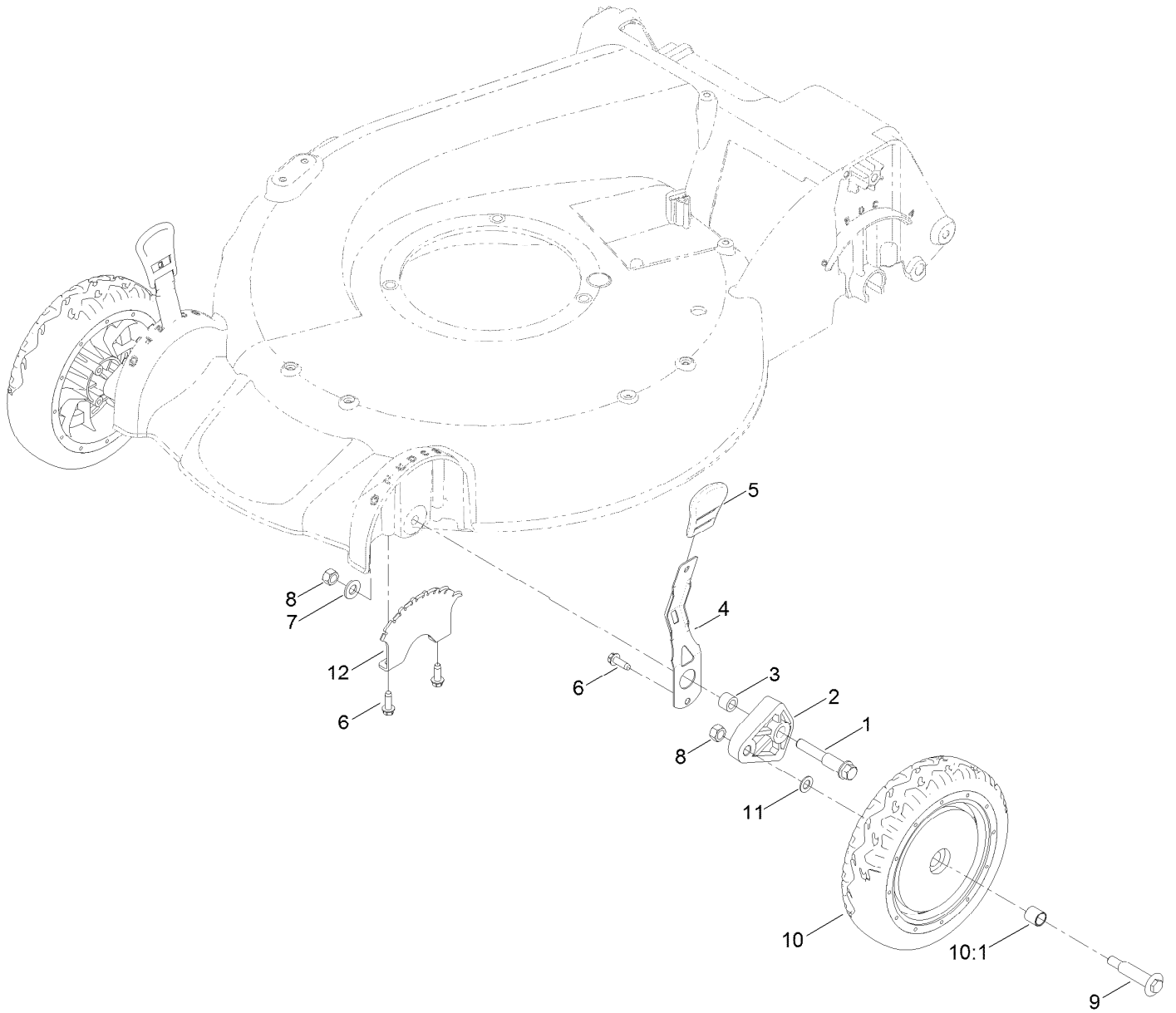
Blower Housing Assembly



Blower Housing Assembly (continued)

<i>Ref.</i>	<i>Part Number</i>	<i>Qty.</i>	<i>Description</i>	<i>Ref.</i>	<i>Part Number</i>	<i>Qty.</i>	<i>Description</i>
1	127-9115	3	Nut-Acorn	4	133-9877	2	Stud-Shroud
2	133-9857	1	Recoil Shroud ASM	5	133-9878	1	Stud-Shroud
2	133-9922	1	Recoil Shroud ASM	6	136-7770	1	Spring-Compression, Recoil
3	136-7867	1	Shroud-Fan				

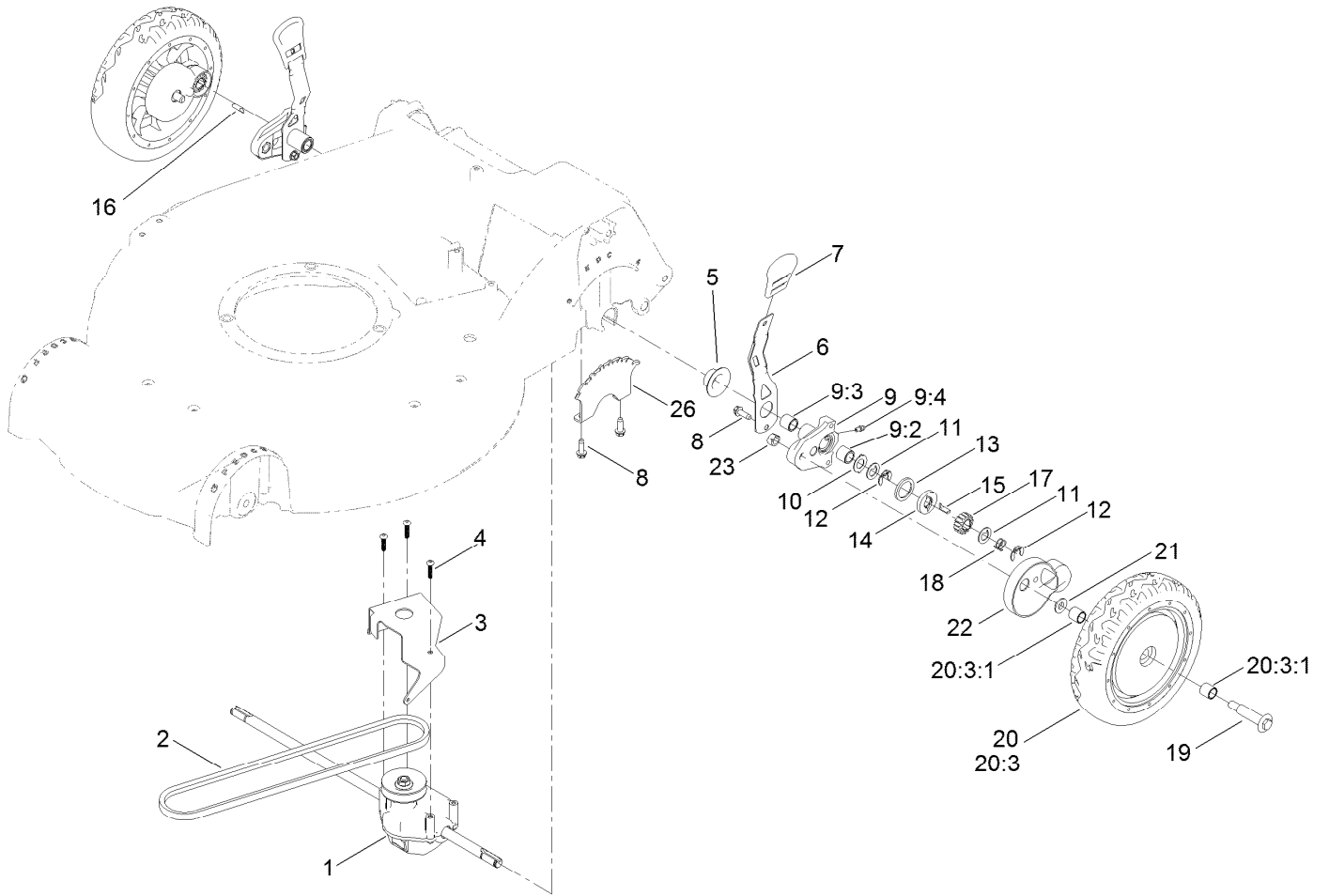
Front Wheel and Height-of-Cut Assembly



Front Wheel and Height-of-Cut Assembly (continued)

<i>Ref.</i>	<i>Part Number</i>	<i>Qty.</i>	<i>Description</i>	<i>Ref.</i>	<i>Part Number</i>	<i>Qty.</i>	<i>Description</i>
1	114-3467	2	Screw-Shoulder	8	125-5069	4	Nut-Hex
2	107-7492	2	Arm-Pivot	9	92-1057	2	Bolt-Shoulder
3	52-2480	2	Spacer-Wheel	10	107-3708	2	Wheel ASM
4	107-7491	2	Arm-Spring	10:1	27-6250	2	Bushing
5	110-0549	2	Knob-HOC	11	40-1940	2	Washer
6	49-2040	6	Screw-HWHTF	12	107-7478	2	Plate-HOC
7	3256-24	2	Washer-Flat				

Rear Wheel and Height-of-Cut Assembly

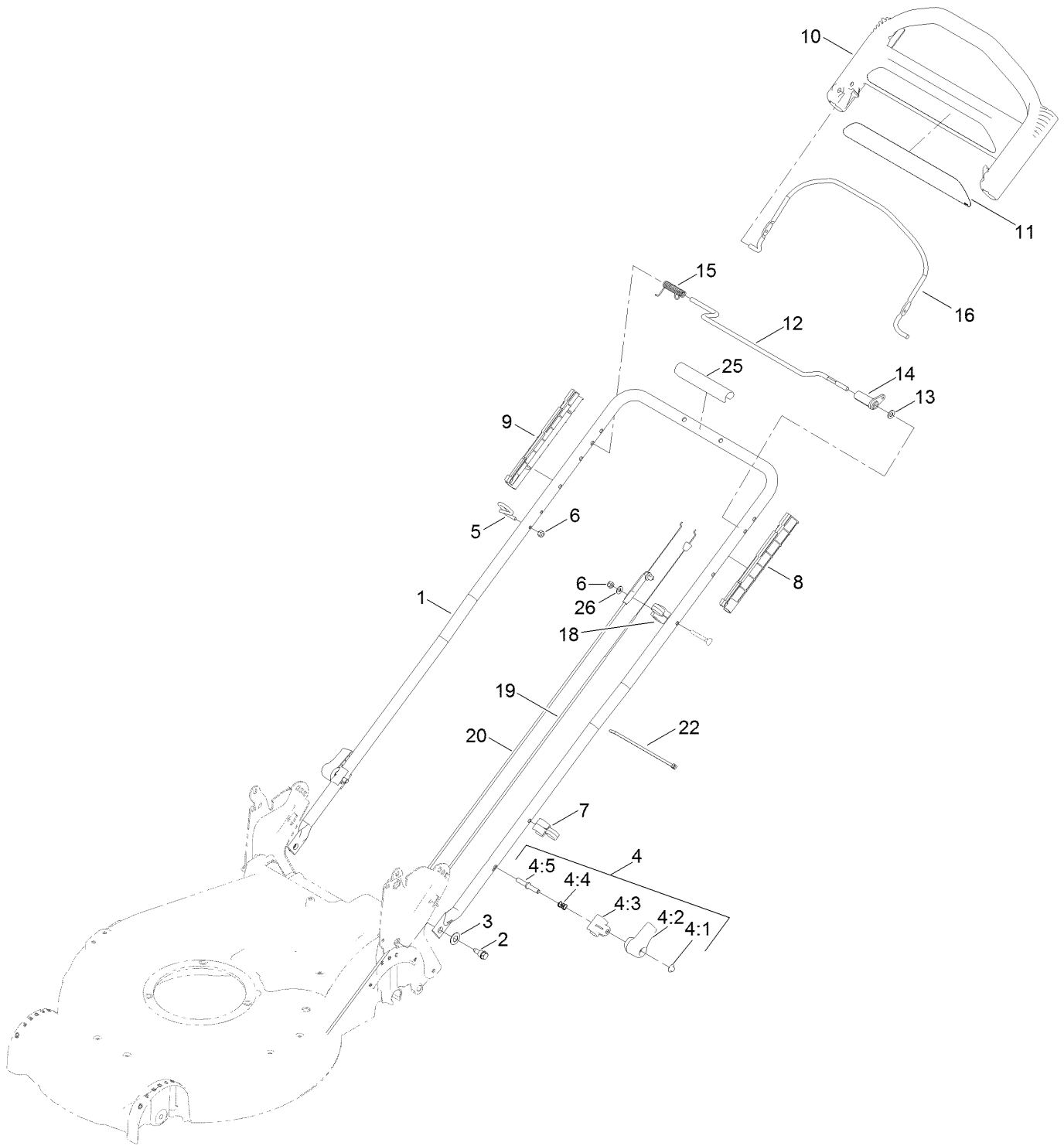


Rear Wheel and Height-of-Cut Assembly (continued)

<i>Ref.</i>	<i>Part Number</i>	<i>Qty.</i>	<i>Description</i>	<i>Ref.</i>	<i>Part Number</i>	<i>Qty.</i>	<i>Description</i>
1	121-9184	1	Transmission ASM	13	65-4710	2	Ring-Friction
2	115-4669	1	Belt-V	14	65-4760	2	Washer-Clutch
3	114-7977-03	1	Bracket-Transmission	15	66-6050	1	Key-Rocking, LH
4	108-7476	3	Screw-Plastite	16	66-6040	1	Key-Rocking, RH
5	138-3235	2	Cap-End	17	65-4750	2	Gear-Pinion
6	107-7491	2	Arm-Spring	18	65-4720	2	Spring-Compression
7	110-0549	2	Knob-HOC	19	92-1057	2	Bolt-Shoulder
8	49-2040	6	Screw-HWHTF	20	107-3709	2	Wheel Gear ASM
9	100-8774	2	Pivot Arm ASM	20:3		1	Wheel ASM ●
9:2	47-2900	1	Bushing	20:3:1	27-6250	2	Bushing
9:3	70-9760	1	Bushing	21	74-1671	2	Spacer-Cover, Wheel
9:4	302-56	1	Fitting-Grease	22	74-1660	2	Cover-Wheel
10	65-4730	2	Washer-Arm, Pivot	23	125-5069	2	Nut-Hex
11	65-4740	4	Washer-Thrust, Keyed	26	107-7478	2	Plate-HOC
12	65-2720	4	Ring-Retaining, Clip				

● Not serviced separately

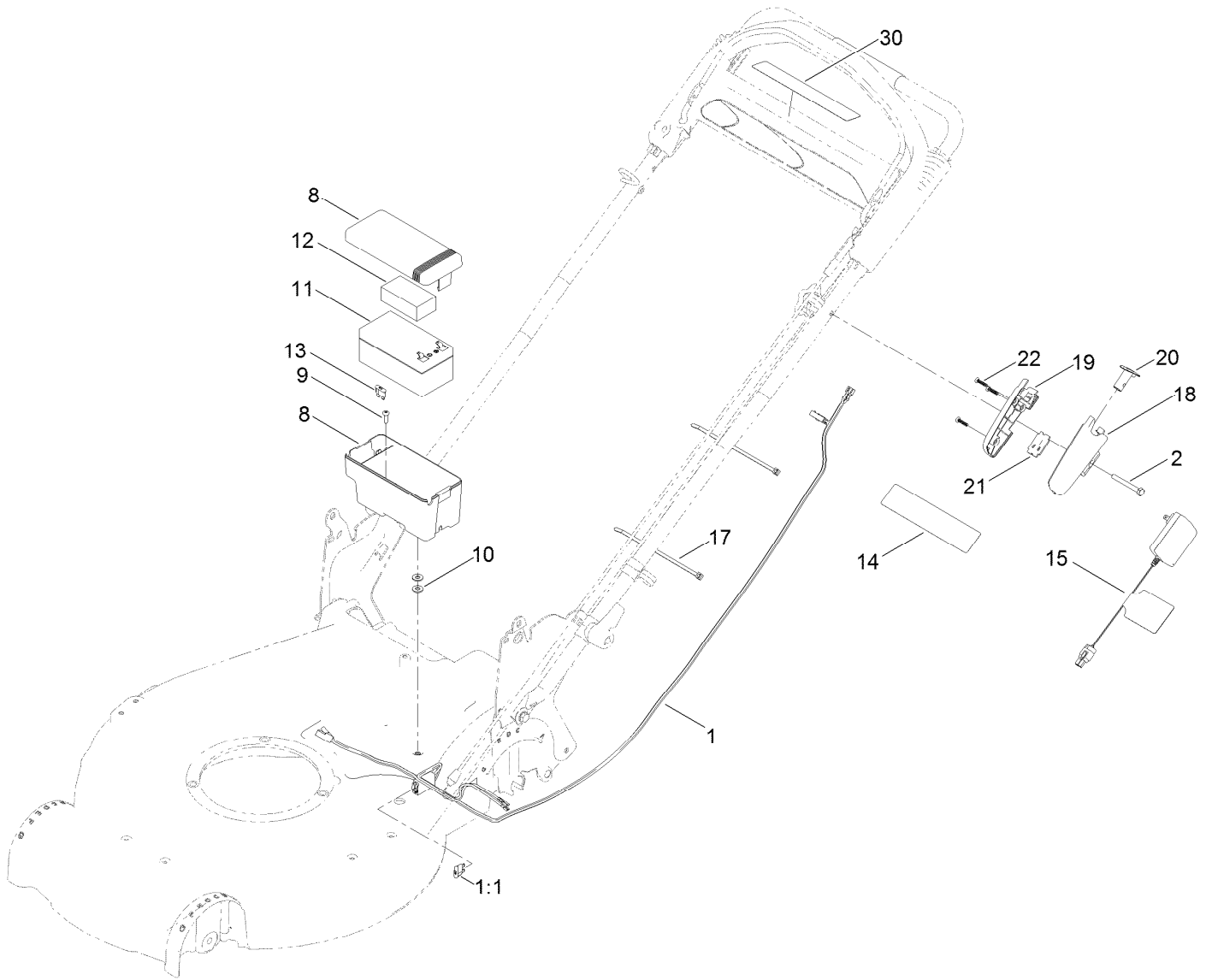
Handle Assembly



Handle Assembly (continued)

<i>Ref.</i>	<i>Part Number</i>	<i>Qty.</i>	<i>Description</i>	<i>Ref.</i>	<i>Part Number</i>	<i>Qty.</i>	<i>Description</i>
1	132-4460-05	1	Handle	10	104-8678	1	Handle-Control
2	115-1958	2	Bolt-Shoulder	11	117-1019	1	Decal
3	112-9972	2	Washer-Spring, Conical	12	136-7150	1	Bar-Control, Traction
4	115-2860	2	Quick Release ASM	13	3256-23	1	Washer-Plain
4:1	32112-11	1	Nut-Push	14	99-1589	1	Lever-Traction
4:2	138-3248	1	Lever-Release	15	136-7166	1	Spring-Torsion
4:3	138-3253	1	Anchor-Spring	16	131-0880-03	1	Bail-Brake
4:4	115-2858	1	Spring-Compression	18	136-5864	1	Anchor-Cable
4:5	138-3243	1	Rod-Release	19	117-9389	1	Cable-Traction
5	86-9671	1	Guide-Rope	20	117-5900	1	Cable-Brake
6	3296-73	2	Nut-Lock, NI	22	614249	3	Tie-Cable
7	114-7988	1	Guide-Cable	25	131-4551	1	Handle-Cover
8	105-6842	1	Guide-LH	26	3256-1	1	Washer-Flat
9	105-6841	1	Guide-RH				

Electrical Assembly



Electrical Assembly (continued)

<i>Ref.</i>	<i>Part Number</i>	<i>Qty.</i>	<i>Description</i>	<i>Ref.</i>	<i>Part Number</i>	<i>Qty.</i>	<i>Description</i>
1	125-5025	1	Harness-Wire	14	104-7953	1	Decal-Warning
1:1	99-6124	1	Fuse-40 Amp	15	136-9126	1	Charger, Battery (12V)
2	321-50	1	Screw-HH	17	614249	3	Tie-Cable
8	108-4844	1	Battery Box ASM	18	133-8160	1	Housing-Switch, LH
9	32144-32	1	Screw	19	133-8161	1	Housing-Switch, RH
10	3256-22	2	Washer-Flat	20	125-2470	1	Button-Switch
11	106-8397	1	Battery-Wet	21	121-9173	1	Switch-Push Button
12	107-3774	1	Foam-Battery, Top	22	94-4496	3	Screw-PPH
13	99-6124	1	Fuse-40 Amp	30	133-1900	1	Decal-Button, Push

Attachments and Accessories

For 20384 Super Recycler Lawn Mower

Product Name	Model/Part
Bagging Blade	108-3759-03
All Season Synthetic Oil (10W30, QT)	117-0066
Fuel Stabilizer .05 oz	130-2393
4-Cycle Fuel, Snow And Lawn 32oz Can	131-3823
Traction Assist Handle Kit	131-4590
Toro Premium Fuel Treatment 12 Oz Bottle	131-6572
High Altitude Kit	133-9943
Engine Maintenance Kit.....	20240
Lawn Striping Kit with 22in Roller.....	20601
Toro 4-Cycle SAE 30 Oil (32oz Bottle)	38903
Summer Oil-Case of 24 (20oz Bottles).....	38916
Bag-Walk Behind (Toro).....	490-7318
Lawnmower Cover.....	490-7462
Bagger Kit.....	59165

Notes:

Notes:

Notes:



Count on it.