



**21in Mulching/Rear Bagging
Lawn Mower**

Model No. 17730—Serial No. 403500000 and Up

Parts Catalog



Ordering Replacement Parts

To order replacement parts, please supply the part number, the quantity, and the description of each part desired.

Understanding Reference Numbers

Each identified part in an illustration has a reference number. The reference number for a part also appears in the parts list, along with other information about the part.

This catalog uses two special reference number formats, one to indicate parts in a service assembly and another to indicate the quantity of a given part in an illustration.

Service Assembly Reference Numbers

Parts in service assemblies have reference numbers in the form a:b. The a represents the reference number of the entire service assembly and the b represents a sequential number unique to each part within the service assembly.

For example, a wheel assembly might be identified by reference number 6, the tire by 6:1, the valve by 6:2, and the wheel by 6:3. When you order the assembly identified by reference number 6, you receive all parts identified by reference numbers 6:1, 6:2, and 6:3. However, you may also order any part individually. Reference numbers of this type appear in illustration and in parts lists.

Reference Numbers Indicating Quantity

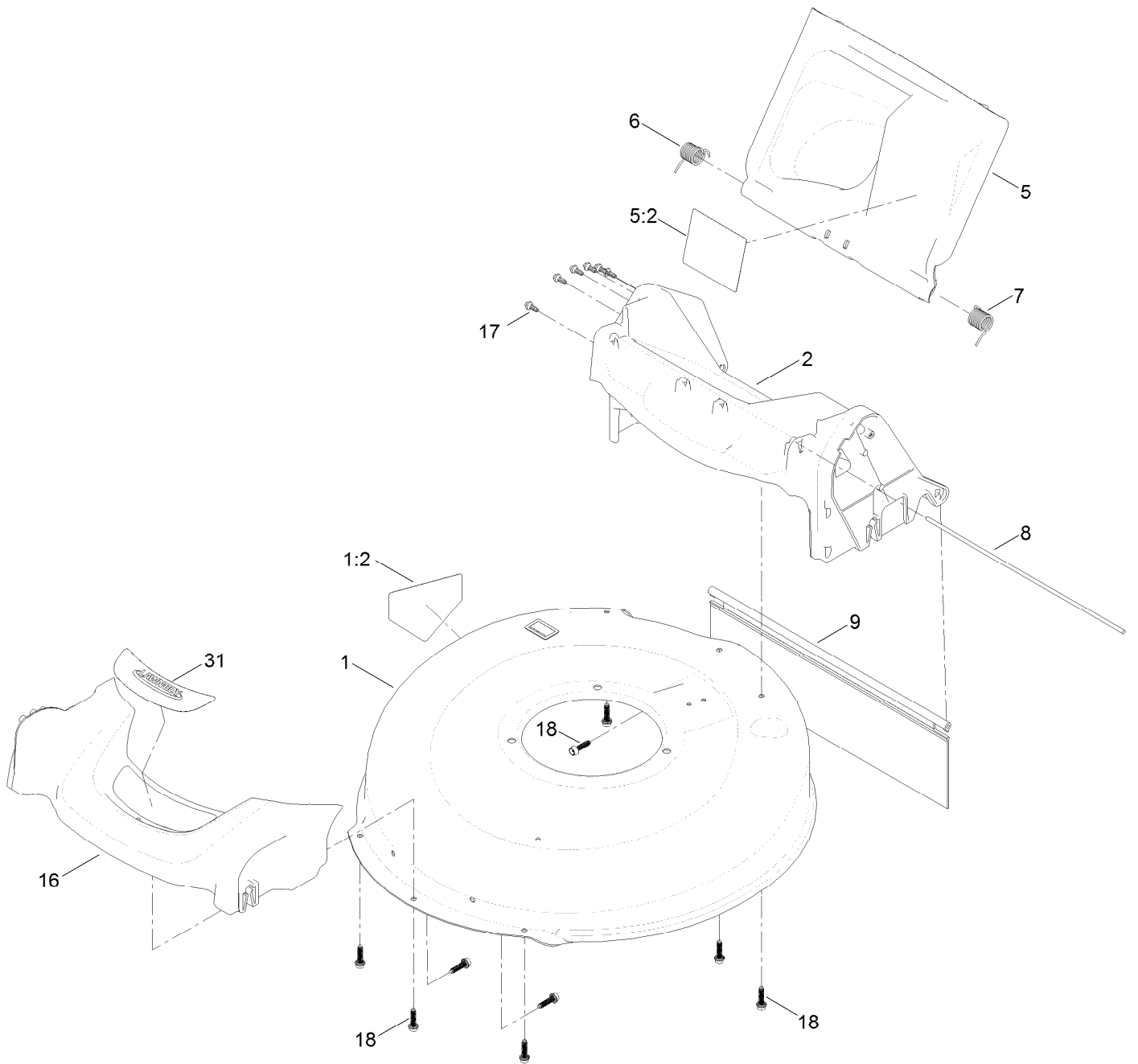
In an illustration, if a reference number indicates more than one part, the reference number has the form nX y. The n represents the quantity of the part, the X is the multiplication symbol, and the y represents the reference number.

For example, in an illustration, the reference number 2X 37 means that two of the parts identified by reference number 37 are indicated.

Contents

Frame Assembly.....	4
Rear Bag Assembly.....	6
Engine and Blade Assembly.....	8
Front Wheel Assembly.....	10
Rear Wheel Assembly.....	12
Handle Assembly.....	14
Attachments and Accessories.....	16

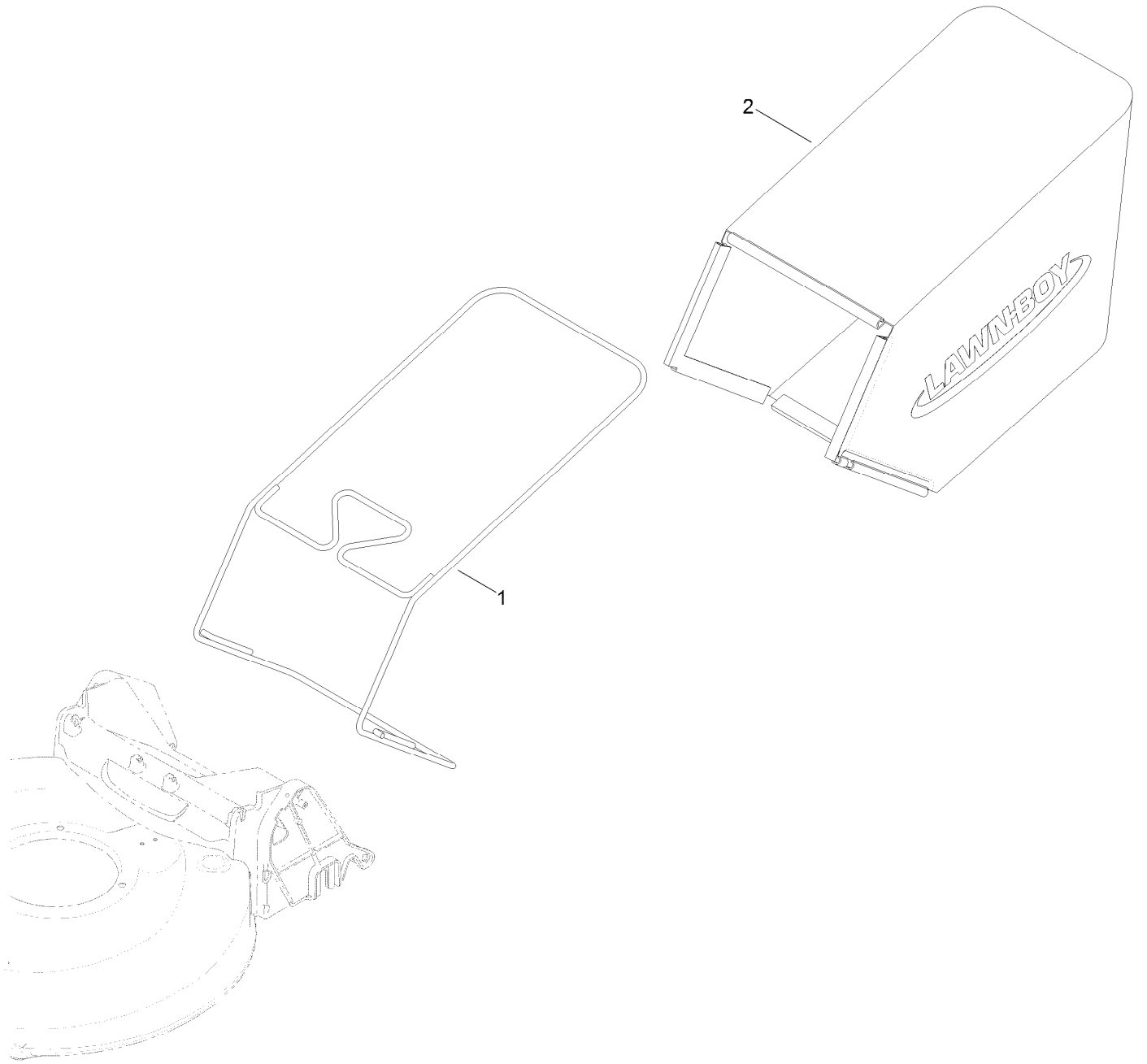
Frame Assembly



Frame Assembly (continued)

<i>Ref.</i>	<i>Part Number</i>	<i>Qty.</i>	<i>Description</i>	<i>Ref.</i>	<i>Part Number</i>	<i>Qty.</i>	<i>Description</i>
1	133-1938	1	Housing ASM	8	127-0698	1	Rod-Door
1:2	94-8072	1	Decal-Danger	9	127-0724	1	Shield-Trailing
2	130-6657	1	Chute ASM	16	127-0677	1	Bumper
5	130-2368	1	Rear Deflector ASM	17	130-2355	6	Stud
5:2	117-4143	1	Decal-Warning	18	130-6658	9	Screw-Flange, Plastic
6	127-6807	1	Spring-Torsion	31	127-6829	1	Decal-Deck
7	127-6808	1	Spring-Torsion				

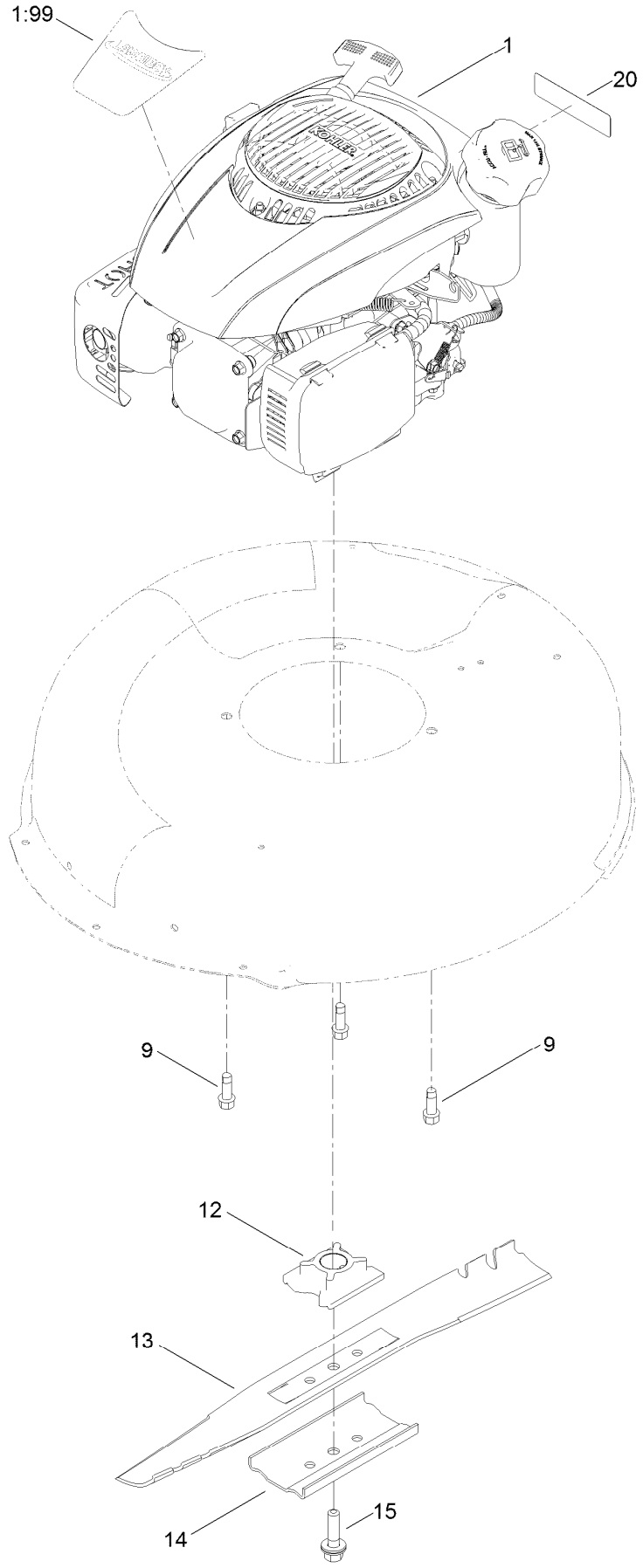
Rear Bag Assembly



Rear Bag Assembly (continued)

<i>Ref.</i>	<i>Part Number</i>	<i>Qty.</i>	<i>Description</i>
1	131-9697-03	1	Frame-Bag
2	127-0701	1	Grass Bag ASM

Engine and Blade Assembly



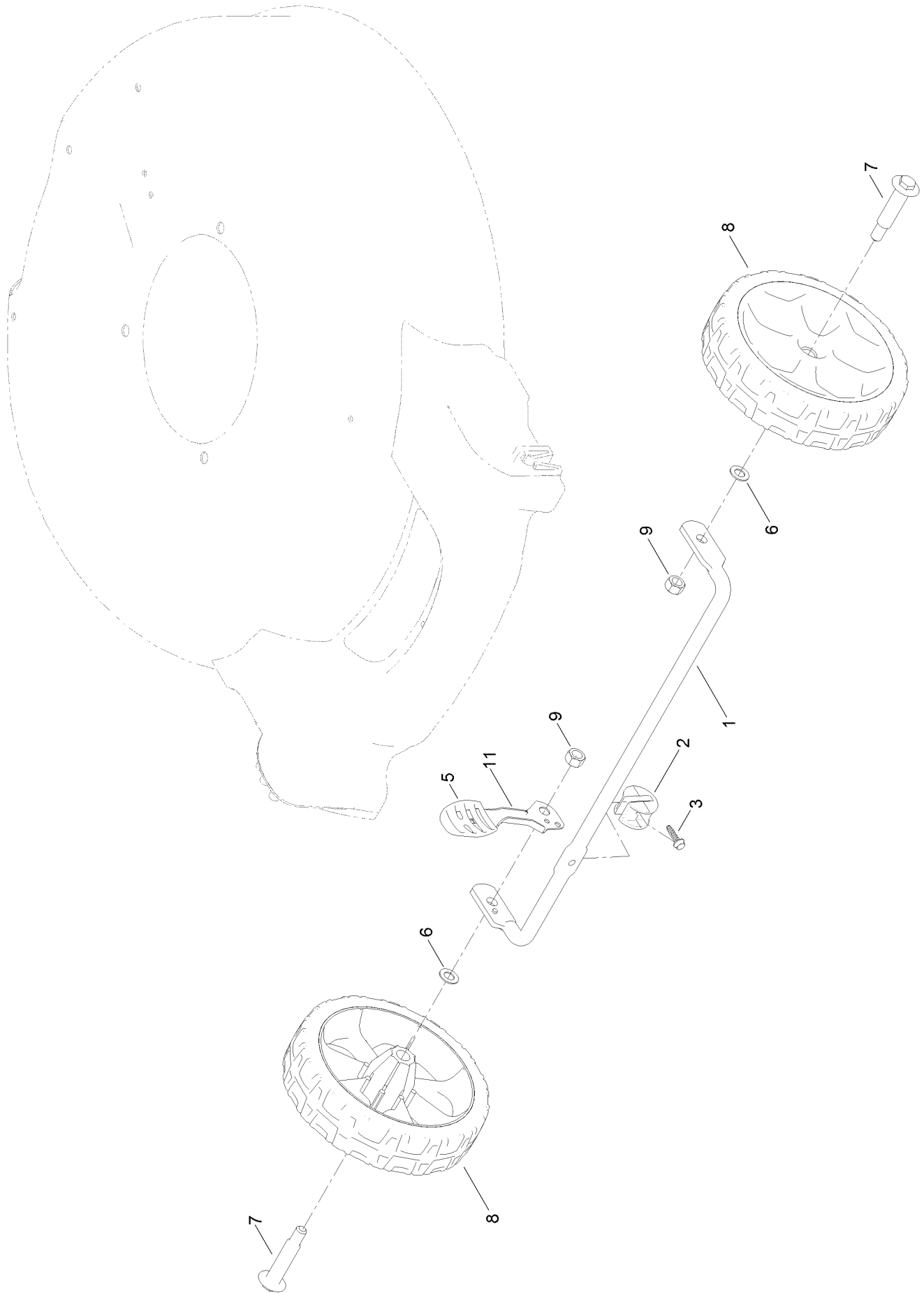
Engine and Blade Assembly (continued)

<i>Ref.</i>	<i>Part Number</i>	<i>Qty.</i>	<i>Description</i>	<i>Ref.</i>	<i>Part Number</i>	<i>Qty.</i>	<i>Description</i>
1		1	Engine-Kohler Xtx650-3012	13	133-8182-03	1	Blade-21In
			●■	14	108-3766-03	1	Support-Blade
1:99	132-4549	1	Decal-Shroud	15	125-2466	1	Bolt-Blade
9	95-1726	3	Screw-Taptite	20	133-8062	1	Decal-Arrestor, Spark
12	104-1007	1	Retainer-Blade				

● Not serviced separately

■ Obtain parts from www.kohlerplus.com

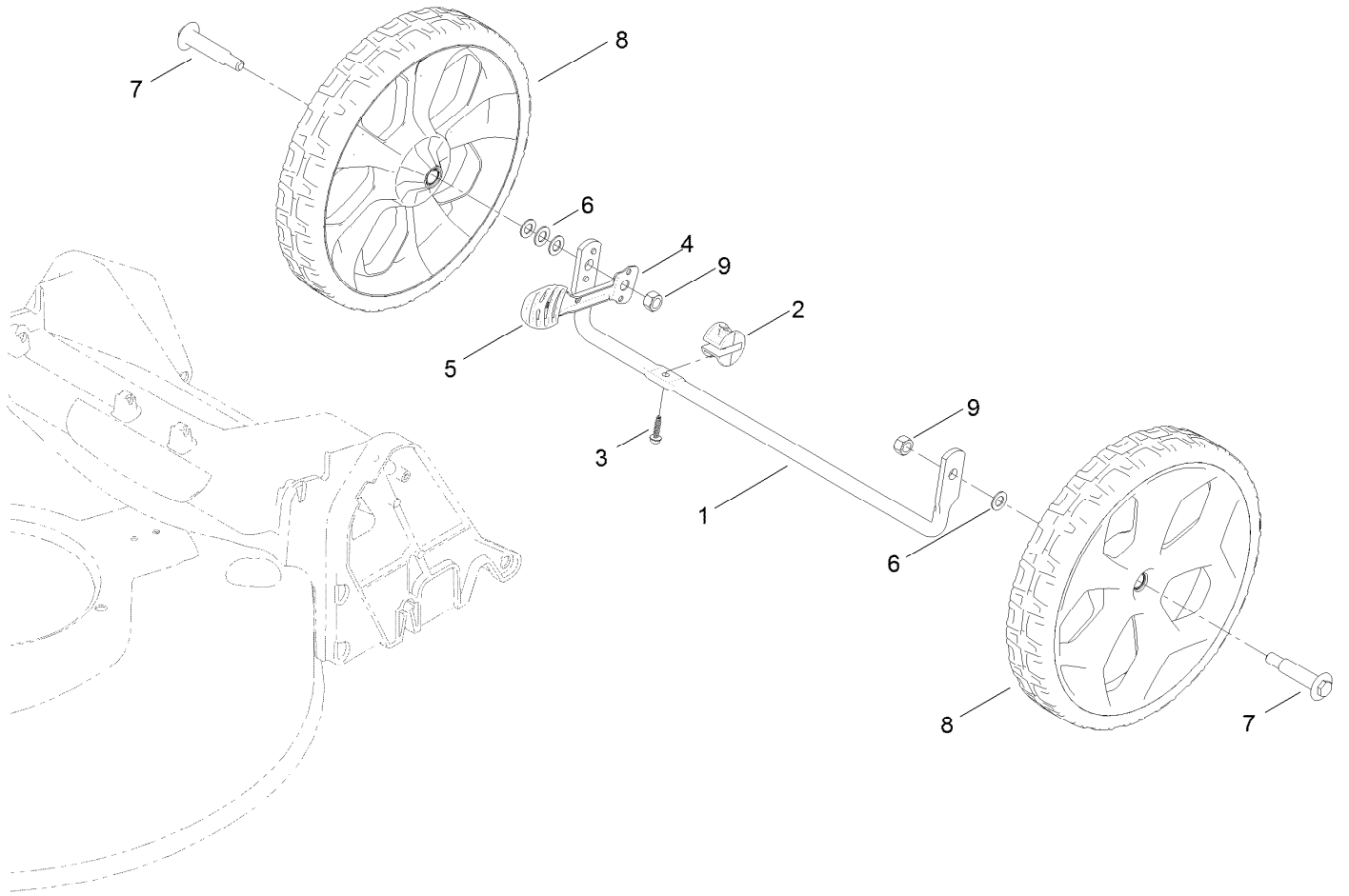
Front Wheel Assembly



Front Wheel Assembly (continued)

<i>Ref.</i>	<i>Part Number</i>	<i>Qty.</i>	<i>Description</i>	<i>Ref.</i>	<i>Part Number</i>	<i>Qty.</i>	<i>Description</i>
1	127-0668-03	1	Axle-Front	7	92-1057	2	Bolt-Shoulder
2	127-6800	1	Stop-Axle	8	127-0683	2	7 Inch Wheel ASM
3	127-6831	1	Screw-HWH	9	125-5069	2	Nut-Hex
5	105-3042	1	Knob-Lever, HOC	11	133-8154	1	Arm-Spring
6	40-1940	2	Washer				

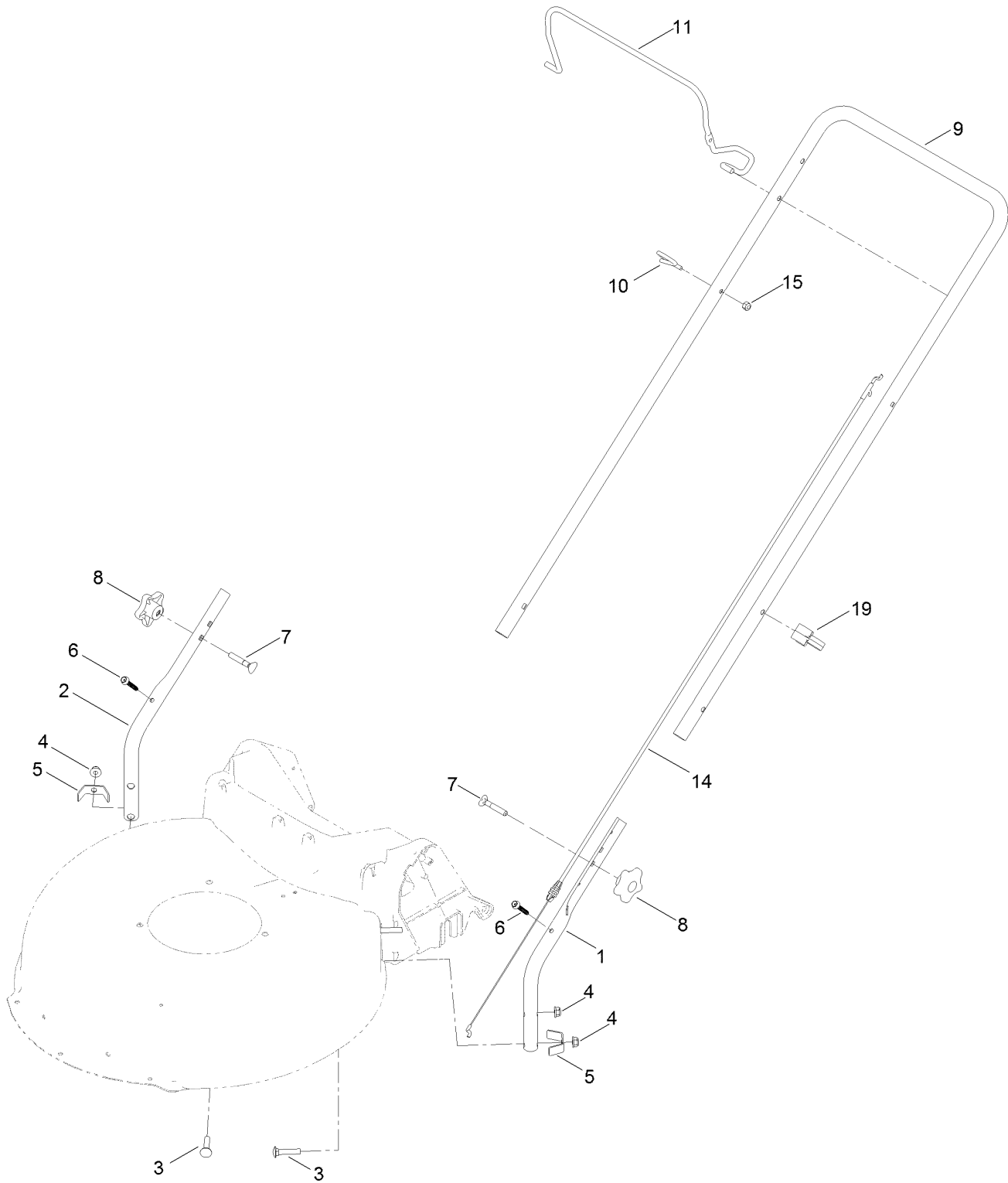
Rear Wheel Assembly



Rear Wheel Assembly (continued)

<i>Ref.</i>	<i>Part Number</i>	<i>Qty.</i>	<i>Description</i>	<i>Ref.</i>	<i>Part Number</i>	<i>Qty.</i>	<i>Description</i>
1	127-0669-03	1	Axle-Rear	6	40-1940	4	Washer
2	127-6800	1	Stop-Axle	7	92-1057	2	Bolt-Shoulder
3	127-6831	1	Screw-HWH	8	127-0686	2	11 Inch Wheel ASM
4	127-0697	1	Arm-Spring, Rear	9	125-5069	2	Nut-Hex
5	105-3042	1	Knob-Lever, HOC				

Handle Assembly



Handle Assembly (continued)

<i>Ref.</i>	<i>Part Number</i>	<i>Qty.</i>	<i>Description</i>	<i>Ref.</i>	<i>Part Number</i>	<i>Qty.</i>	<i>Description</i>
1	136-5923-05	1	Handle-Lower, LH	8	117-5976	2	Knob-Handle
2	136-5924-05	1	Handle-Lower, RH	9	127-0659-05	1	Handle-Upper
3	130-6654	4	Bolt-CARR	10	86-9671	1	Guide-Rope
4	130-6655	4	Nut-Flange, NI	11	138-3268-03	1	Bail-Brake
5	127-0699	2	Bracket-Chute	14	127-0713	1	Cable-Brake, Engine
6	130-6659	2	Screw-Flange, Serrated	15	3296-73	1	Nut-Lock, NI
7	92-2260	2	Screw-Handle	19	114-7988	1	Guide-Cable

Attachments and Accessories

For 17730 21in Mulching/Rear Bagging Lawn Mower

Product Name	Model/Part
Lawn-Boy Paint	110-8800
Lawn-Boy Premium Fuel Treatment .5 Oz	130-6653
Side-Discharge Deflector, 2013 and After 21in Steel Deck Mower	136-7060
Lawn Striping Kit with 22in Roller	20601
Lawn-Boy WPM Cover	215326
21in Lawn-Boy Replacement Bag.....	89500
21in Lawn-Boy Bag and Frame Kit	89501
Lawn-Boy Oil	89885
21in Blade.....	89914P

Notes:

Notes:

Notes:

