



**Count on it.**

**Parts Catalog**

**22in Recycler®**

**Lawn Mower**

Model No. 20353—Serial No. 404400000 and Up



# Ordering Replacement Parts

To order replacement parts, please supply the part number, the quantity, and the description of each part desired.

## Understanding Reference Numbers

Each identified part in an illustration has a reference number. The reference number for a part also appears in the parts list, along with other information about the part.

This catalog uses two special reference number formats, one to indicate parts in a service assembly and another to indicate the quantity of a given part in an illustration.

## Service Assembly Reference Numbers

Parts in service assemblies have reference numbers in the form a:b. The a represents the reference number of the entire service assembly and the b represents a sequential number unique to each part within the service assembly.

For example, a wheel assembly might be identified by reference number 6, the tire by 6:1, the valve by 6:2, and the wheel by 6:3. When you order the assembly identified by reference number 6, you receive all parts identified by reference numbers 6:1, 6:2, and 6:3. However, you may also order any part individually. Reference numbers of this type appear in illustration and in parts lists.

## Reference Numbers Indicating Quantity

In an illustration, if a reference number indicates more than one part, the reference number has the form nX y. The n represents the quantity of the part, the X is the multiplication symbol, and the y represents the reference number.

For example, in an illustration, the reference number 2X 37 means that two of the parts identified by reference number 37 are indicated.

# Contents

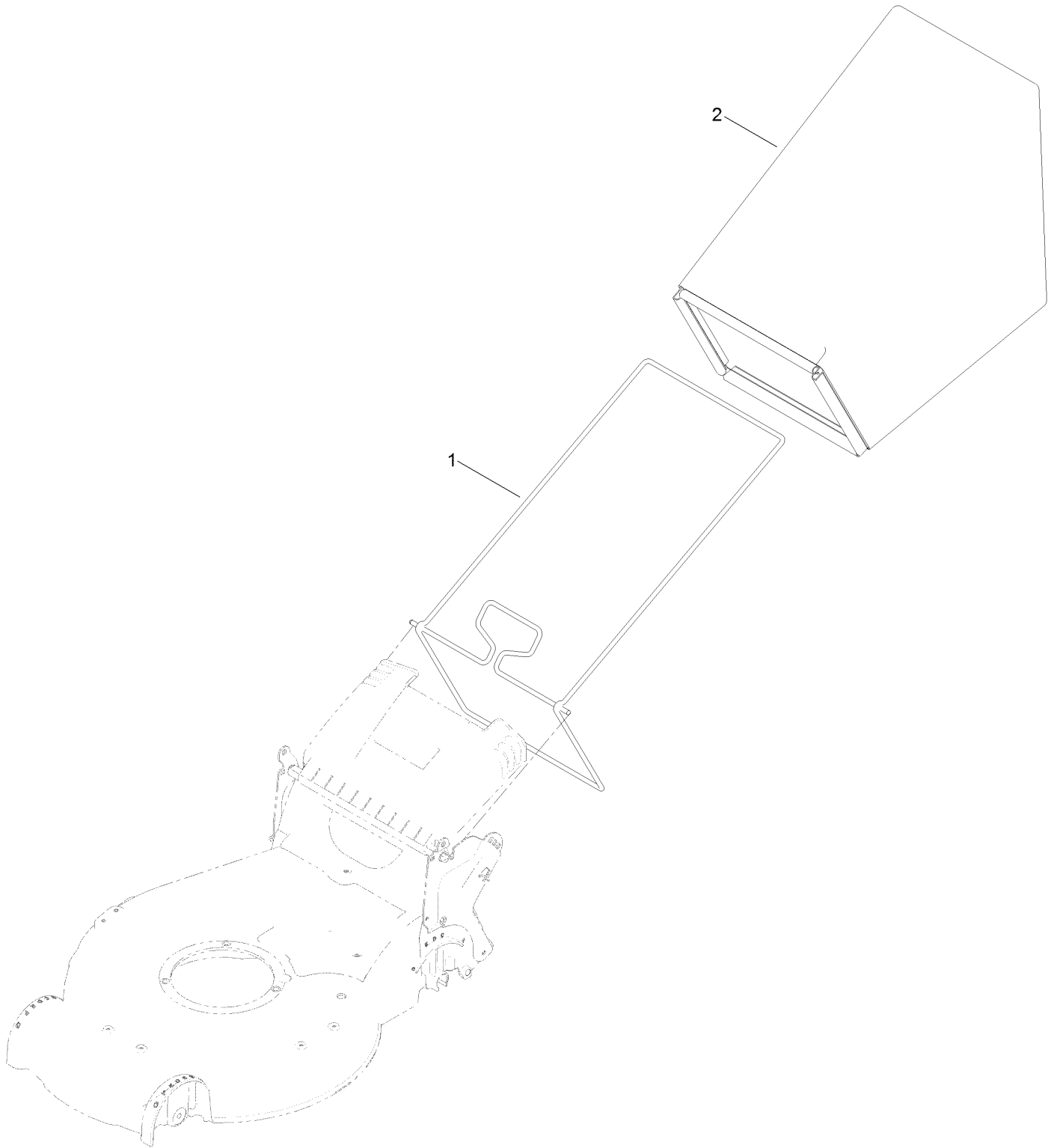
Housing and Chute Assembly .....	4
Bag Assembly .....	6
Engine and Blade Assembly .....	8
Front Wheel and Height-of-Cut Assembly .....	10
Rear Wheel and Height-of-Cut Assembly .....	12
Handle Assembly .....	14
Attachments and Accessories .....	16



## Housing and Chute Assembly (continued)

<i>Ref.</i>	<i>Part Number</i>	<i>Qty.</i>	<i>Description</i>	<i>Ref.</i>	<i>Part Number</i>	<i>Qty.</i>	<i>Description</i>
1	131-4579	1	Housing ASM	20	137-9139	1	Rear Door ASM
1:2	94-8072	1	Decal-Danger	20:2	131-4514	1	Decal-Warning
1:3	131-4526	1	Decal-Deck	21	115-2859	1	Spring-Torsion
1:4	137-9196	1	Decal-Quick Wash	22	114-7924	1	Spring-Torsion
2	114-7963-01	1	Baffle-Front	23	112-6400	1	Port-Washout
6	114-7961	1	Baffle-Rear	24	112-6401	1	Coupling-Hose, Washout Port
7	136-5882	1	Chute-Recycle	26	112-6438	1	Washer-Seal, Washout Port
8	46-8091	11	Screw-HWH	27	3254-5	1	Washer-Lock
9	112-6416	1	Bracket-Cover	28	3218-6	1	Nut-Jam
10	99-8445	2	Screw-HWH	30	114-7987	1	Bumper
11	99-5291	1	Rod-Cover	31	105-6849	2	Screw-Forming, Thread
12	99-5293	1	Spring-Torsion	32	137-4821	1	Cover-Belt, Front
13	115-8449	1	Deflector-Side	33	104-0858	1	Bolt-Shoulder
14	115-8447	1	Chute-Discharge, Side	34	3296-16	1	Nut-Lock, NI
15	114-7960	1	Deflector-Recycle	35	133-1973	1	Cover-Belt, Front
16	114-7958	1	Knob-Recycle	36	131-0837	2	Screw-Shoulder, HHF
17	114-7959	1	Latch-Recycle	42	125-5026	1	Decal
18	117-1031	1	Spring-Compression	46	137-4819	1	Decal-Cover, Belt
19	32104-120	2	Screw-PPH				

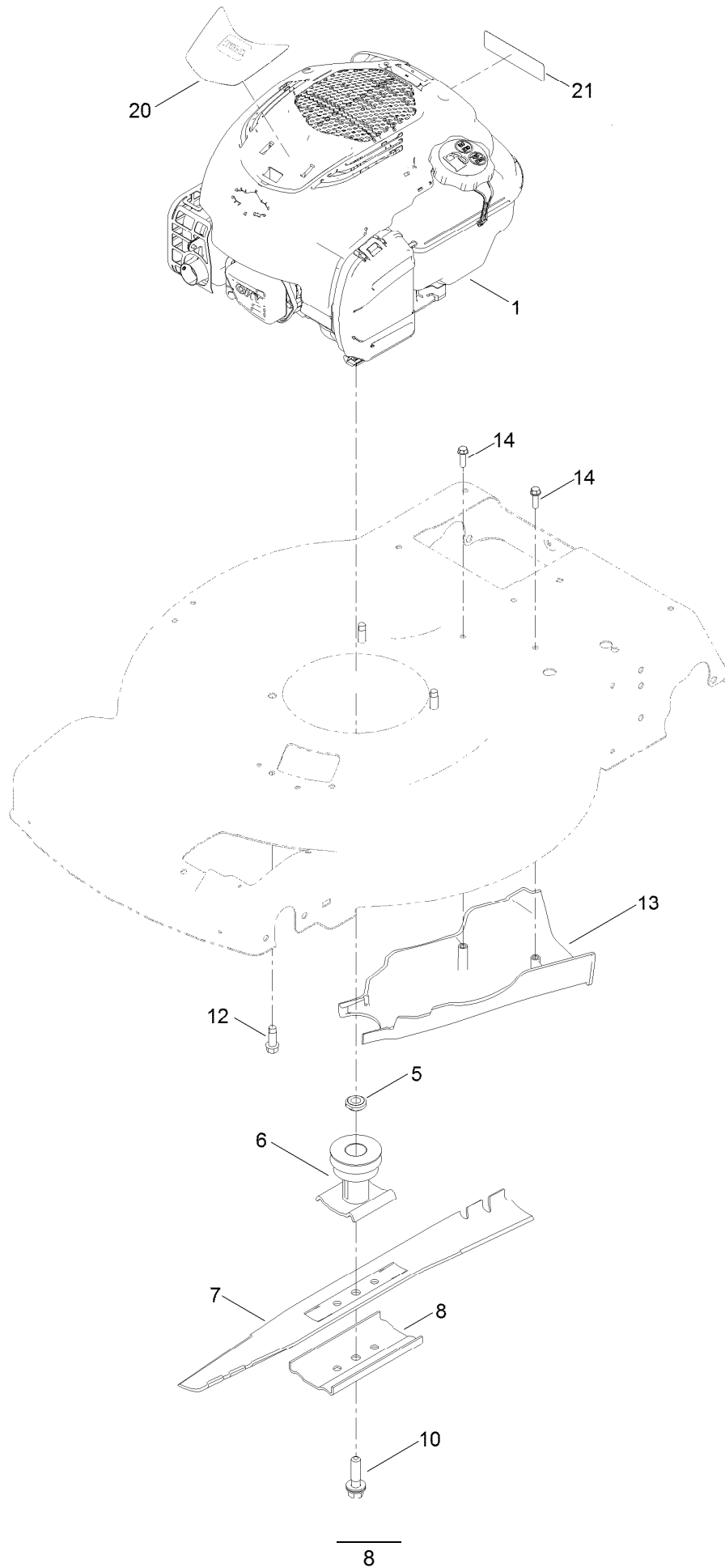
# Bag Assembly



## Bag Assembly (continued)

<i>Ref.</i>	<i>Part Number</i>	<i>Qty.</i>	<i>Description</i>
1	132-4529-03	1	Bag Frame ASM
2	114-2664	1	Grass Bag ASM

# Engine and Blade Assembly





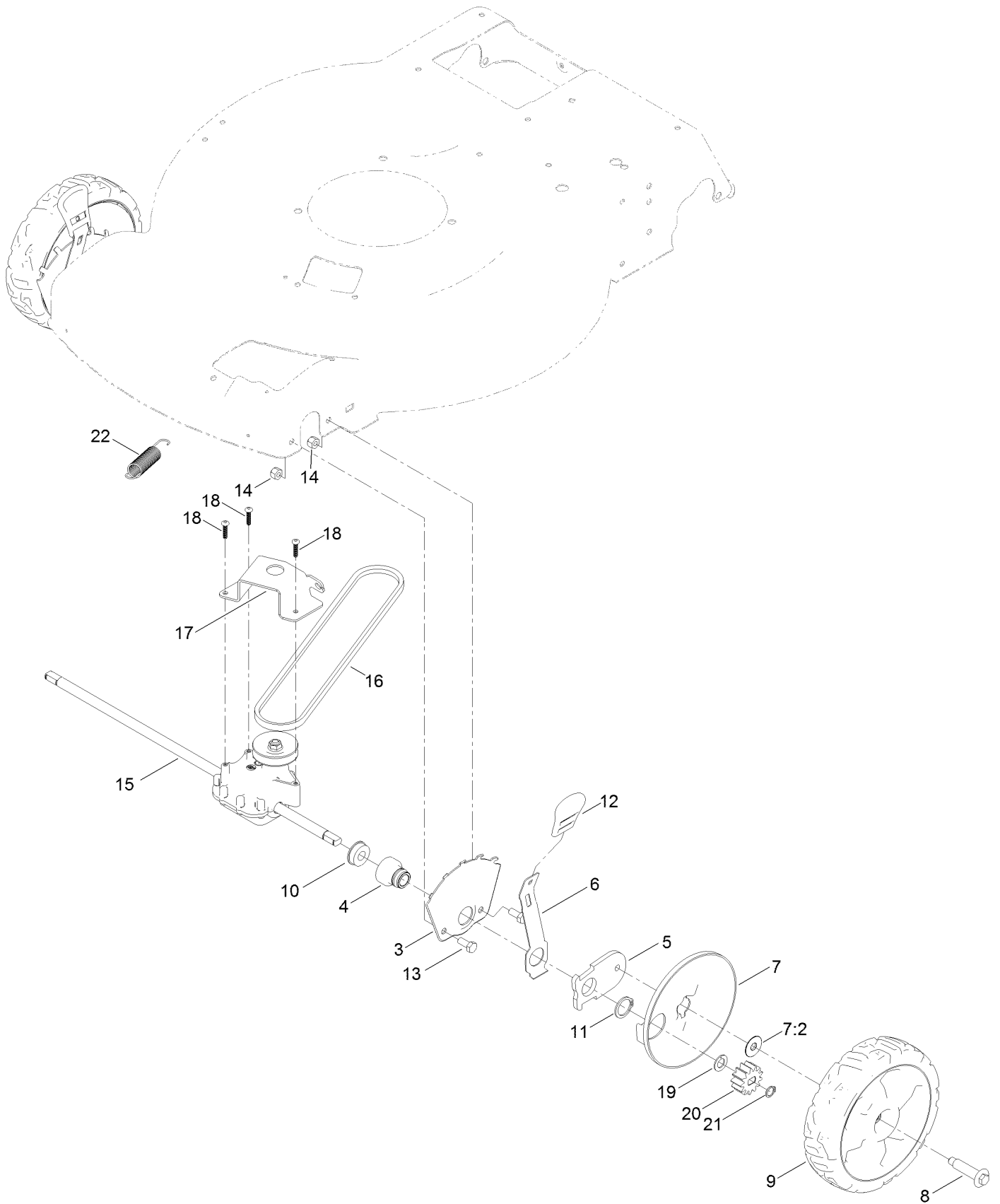
## Engine and Blade Assembly (continued)

<i>Ref.</i>	<i>Part Number</i>	<i>Qty.</i>	<i>Description</i>	<i>Ref.</i>	<i>Part Number</i>	<i>Qty.</i>	<i>Description</i>
1		1	Engine-Briggs, 104M020010F1 ●■	10	125-2466	1	Bolt-Blade
5	106-3999	1	Spacer-Driver	12	95-1726	3	Screw-Taptite
6	130-6705	1	Driver-Blade	13	130-6709	1	Cover-Belt, Rear
7	131-4547-03	1	Blade-22 Inch	14	46-8091	2	Screw-HWH
8	108-3766-03	1	Support-Blade	20	131-4518	1	Decal-Shroud, Briggs
				21	133-8062	1	Decal-Arrestor, Spark

● Not serviced separately

■ Obtain parts from [www.briggsandstratton.com](http://www.briggsandstratton.com)

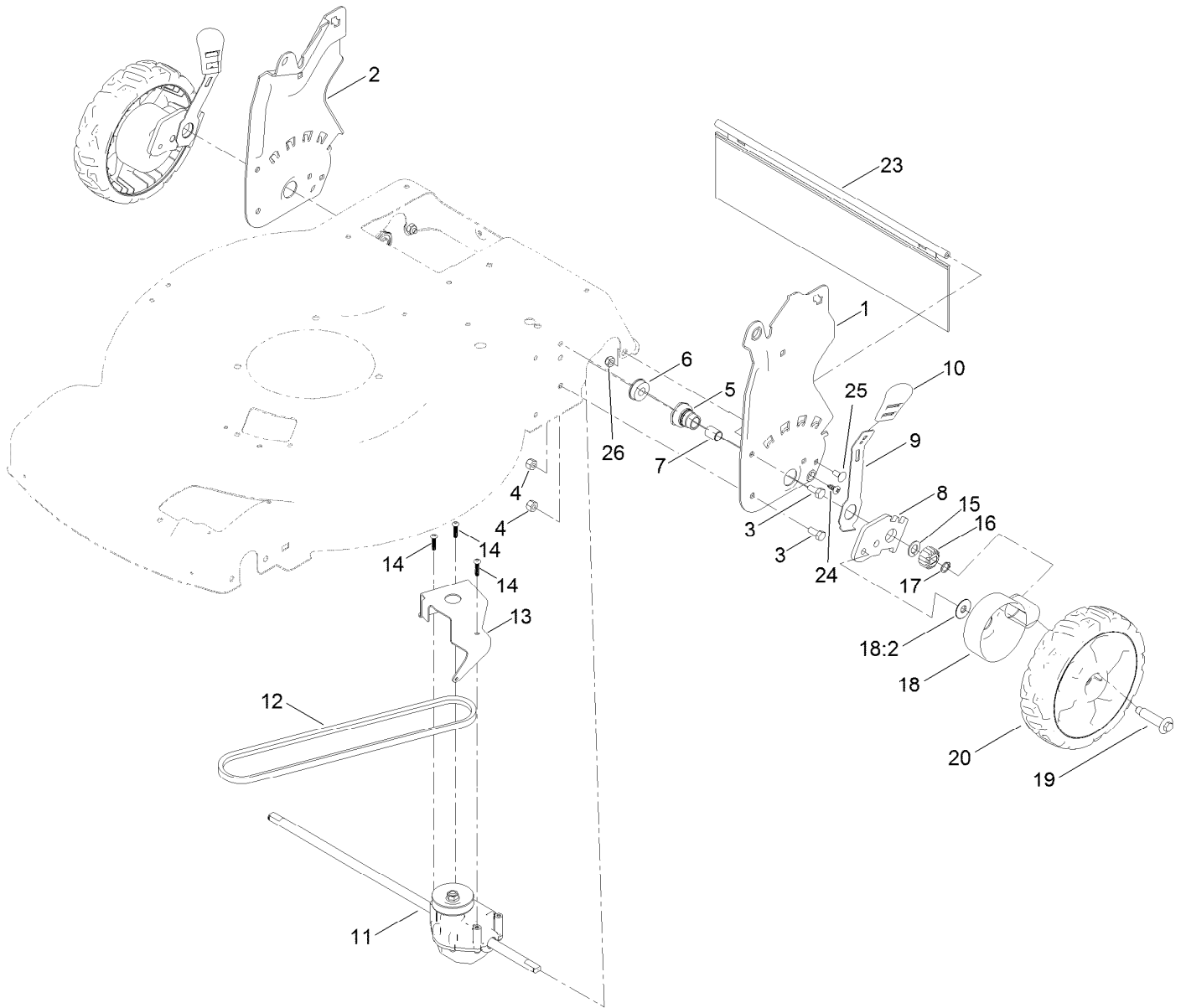
# Front Wheel and Height-of-Cut Assembly



## Front Wheel and Height-of-Cut Assembly (continued)

<i>Ref.</i>	<i>Part Number</i>	<i>Qty.</i>	<i>Description</i>	<i>Ref.</i>	<i>Part Number</i>	<i>Qty.</i>	<i>Description</i>
3	115-1956-03	2	Plate-HOC, Front	13	322-3	4	Screw-HH
4	131-0836	2	Retainer-Bearing, HOC	14	3296-29	4	Nut-Lock, NI
5	137-9128	2	Arm-Pivot, Front	15	137-4823	1	Transmission
6	105-1809	2	Arm-Spring	16	71-9450	1	V-Belt
7	131-4513	2	Wheel Cover ASM	17	114-7978-03	1	Bracket-Transmission
7:2	614426	1	Washer-Stepped	18	108-7476	3	Screw-Plastite
8	614650	2	Bolt-Shoulder	19	110-7191	2	Washer-Thrust
9	130-6711	2	Wheel ASM	20	131-0896	2	Gear-Pinion, 13T
10	104-8699	2	Bearing-Ball	21	32151-61	2	Ring-Retaining
11	32151-36	2	Ring-Retaining	22	131-4560	1	Spring-Extension
12	110-0549	2	Knob-HOC				

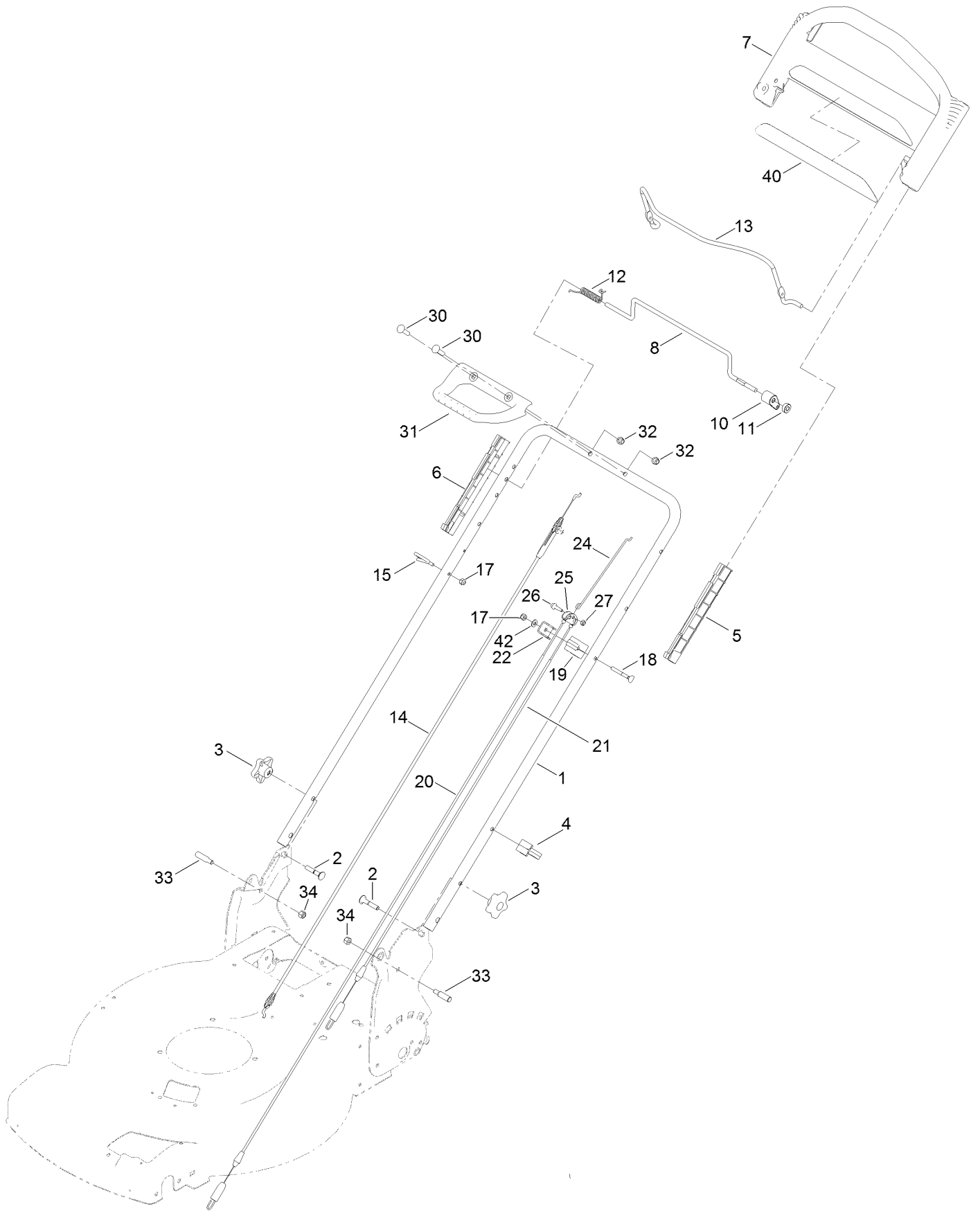
# Rear Wheel and Height-of-Cut Assembly



## Rear Wheel and Height-of-Cut Assembly (continued)

<i>Ref.</i>	<i>Part Number</i>	<i>Qty.</i>	<i>Description</i>	<i>Ref.</i>	<i>Part Number</i>	<i>Qty.</i>	<i>Description</i>
1	131-9693-03	1	Plate-HOC, LH	14	108-7476	3	Screw-Plastite
2	131-9694-03	1	Plate-HOC, RH	15	110-7191	2	Washer-Thrust
3	322-3	4	Screw-HH	16	131-5399	2	Gear-Pinion, 15T
4	3296-29	4	Nut-Lock, NI	17	32151-61	2	Ring-Retaining
5	108-9779	2	Retainer-Bushing, HOC	18	136-9057	2	Gear Cover ASM
6	104-8699	2	Bearing-Ball	18:2	614426	1	Washer-Stepped
7	108-9782	2	Bushing-Sleeve	19	614650	2	Bolt-Shoulder
8	136-9090	2	Arm-Pivot, Rear	20	130-6714	2	Wheel Gear ASM
9	108-9780	2	Arm-Spring	23	120-7012	1	Shield-Trailing
10	110-0549	2	Knob-HOC	24	117-1092	2	Screw-PTH
11	121-9178	1	Transmission ASM	25	3229-11	2	Screw-CARR
12	115-4669	1	Belt-V	26	3296-16	2	Nut-Lock, NI
13	114-7977-03	1	Bracket-Transmission				

# Handle Assembly



## Handle Assembly (continued)

<i>Ref.</i>	<i>Part Number</i>	<i>Qty.</i>	<i>Description</i>	<i>Ref.</i>	<i>Part Number</i>	<i>Qty.</i>	<i>Description</i>
1	131-9695-05	1	Handle	19	130-6716	1	Mount-Cable, Traction
2	131-9663	2	Screw-CARR	20	130-6717	1	Cable-Traction, Front
3	117-5976	2	Knob-Handle	21	130-6718	1	Cable-Traction, Rear
4	114-7988	1	Guide-Cable	22	136-5922	1	Clamp-Cable
5	105-6842	1	Guide-LH	24	131-4559	1	Linkage-Equalizer
6	105-6841	1	Guide-RH	25	130-6719	1	Yoke-Cable
7	104-8678	1	Handle-Control	26	132-4519	1	Screw-Shoulder
8	136-7150	1	Bar-Control, Traction	27	3296-2	1	Nut-Lock, NI
10	127-6842	1	Lever-Traction	30	99-6005	2	Bolt-Carriage
11	130-2343	1	Spacer	31	131-0847	1	Handle-Assist, Traction
12	136-7166	1	Spring-Torsion	32	131-4535	2	Nut-Acorn
13	131-0880-03	1	Bail-Brake	33	131-4591	2	Bolt-Shoulder
14	115-8437	1	Cable-Brake	34	3296-29	2	Nut-Lock, NI
15	86-9671	1	Guide-Rope	40	131-4519	1	Decal
17	3296-73	2	Nut-Lock, NI	42	3256-1	1	Washer-Flat
18	92-2269	1	Screw-Handle				

# Attachments and Accessories

## For 20353 22in Recycler Lawn Mower

<b>Product Name</b>	<b>Model/Part</b>
All Season Synthetic Oil (10W30, QT) .....	117-0066
Fuel Stabilizer .05 oz .....	130-2393
Briggs Maint Kit.....	130-8148
4-Cycle Fuel, Snow And Lawn 32oz Can .....	131-3823
AWD Replacement Bag and Frame Kit .....	131-4556
Traction Assist Handle Kit.....	131-4590
Toro Premium Fuel Treatment 12 Oz Bottle .....	131-6572
Belt Cover Kit.....	136-9124
Lawn Striping Kit with 22in Roller.....	20601
Toro 4-Cycle SAE 30 Oil (32oz Bottle) .....	38903
Summer Oil-Case of 24 (20oz Bottles).....	38916
Bag-Walk Behind (Toro).....	490-7318
Lawnmower Cover.....	490-7462
22 Inch Atomic Blade.....	59534P



**Notes:**

**Notes:**

**Notes:**



**Count on it.**