



**Count on it.**

**Parts Catalog**

**21in Heavy-Duty Recycler®/Rear  
Bagger**

**Lawn Mower**

**Model No. 22290—Serial No. 404320000 and Up**



# Ordering Replacement Parts

To order replacement parts, please supply the part number, the quantity, and the description of each part desired.

## Understanding Reference Numbers

Each identified part in an illustration has a reference number. The reference number for a part also appears in the parts list, along with other information about the part.

This catalog uses two special reference number formats, one to indicate parts in a service assembly and another to indicate the quantity of a given part in an illustration.

## Service Assembly Reference Numbers

Parts in service assemblies have reference numbers in the form a:b. The a represents the reference number of the entire service assembly and the b represents a sequential number unique to each part within the service assembly.

For example, a wheel assembly might be identified by reference number 6, the tire by 6:1, the valve by 6:2, and the wheel by 6:3. When you order the assembly identified by reference number 6, you receive all parts identified by reference numbers 6:1, 6:2, and 6:3. However, you may also order any part individually. Reference numbers of this type appear in illustration and in parts lists.

## Reference Numbers Indicating Quantity

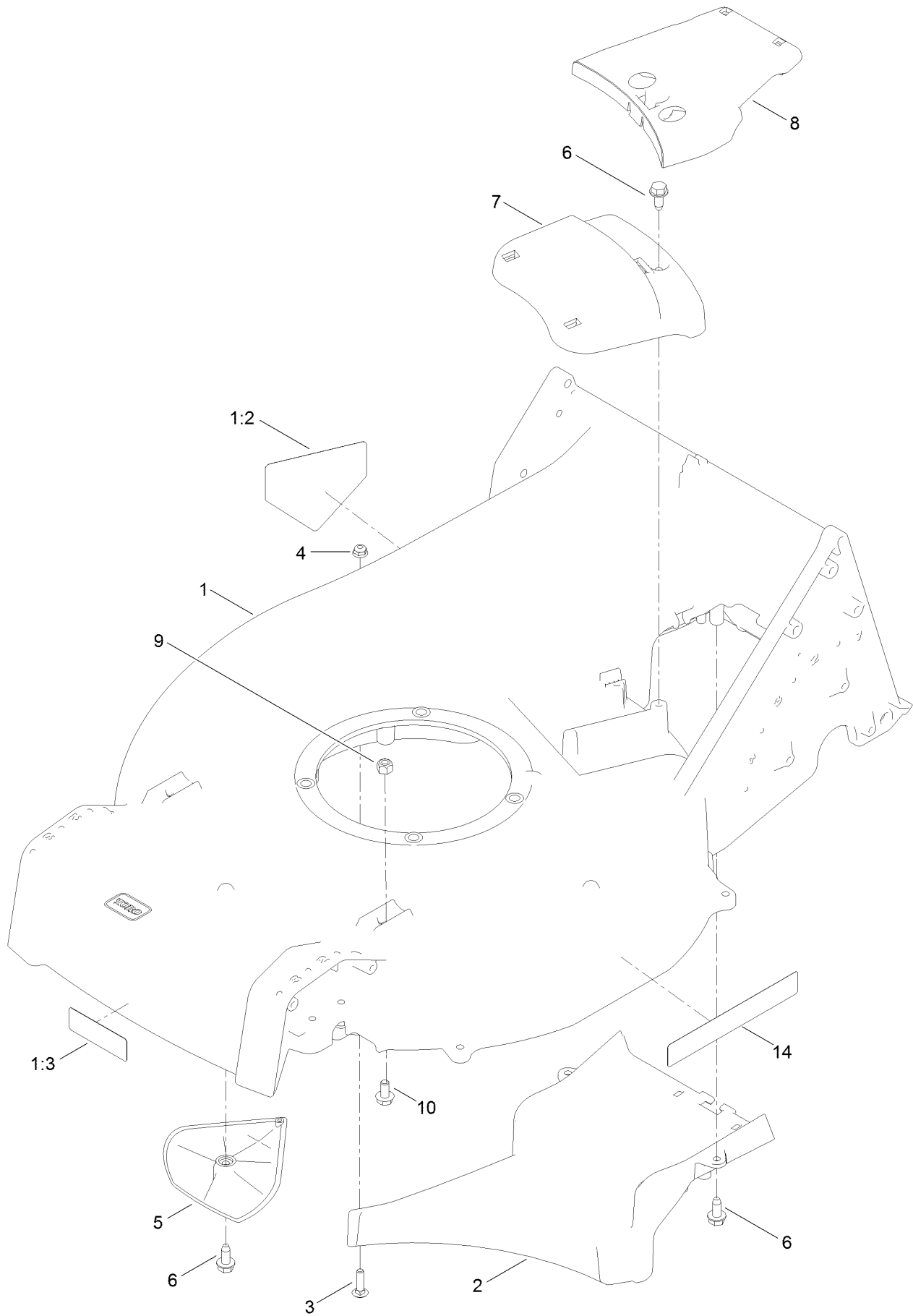
In an illustration, if a reference number indicates more than one part, the reference number has the form nX y. The n represents the quantity of the part, the X is the multiplication symbol, and the y represents the reference number.

For example, in an illustration, the reference number 2X 37 means that two of the parts identified by reference number 37 are indicated.

# Contents

Housing Assembly .....	4
Grass Bag Assembly .....	6
Engine and Blade Assembly .....	8
Front Wheel and Height-of-Cut Assembly .....	10
Transmission and Rear Wheel Assembly .....	12
Handle and Brake Assembly .....	14
Attachments and Accessories .....	16

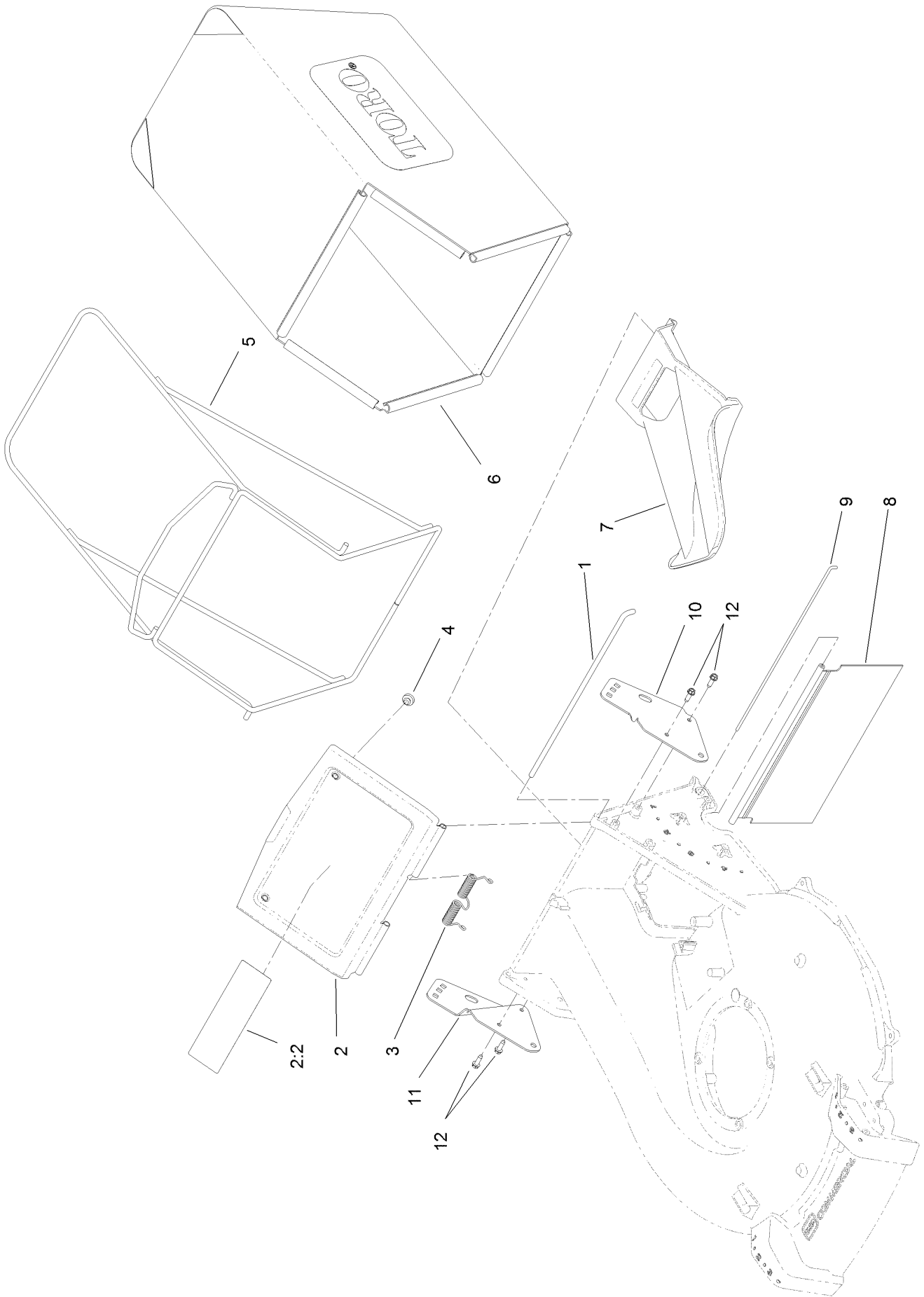
# Housing Assembly



## Housing Assembly (continued)

<i>Ref.</i>	<i>Part Number</i>	<i>Qty.</i>	<i>Description</i>	<i>Ref.</i>	<i>Part Number</i>	<i>Qty.</i>	<i>Description</i>
1	136-5896	1	Housing ASM	6	49-2040	5	Screw-HWHTF
1:2	94-8072	1	Decal-Danger	7	125-5038	1	Cover-Belt, Front
1:3	130-9670	1	Decal-Warning, Blade	8	125-8380	1	Cover-Belt, Rear
2	125-1002-01	1	Floor-Chute	9	3296-29	2	Nut-Lock, NI
3	3229-2	1	Screw-CARR	10	3234-7	2	Screw-HHF
4	104-7201	1	Nut-HF	14	119-2368	2	Decal-Recycler
5	125-5041	2	Kicker				

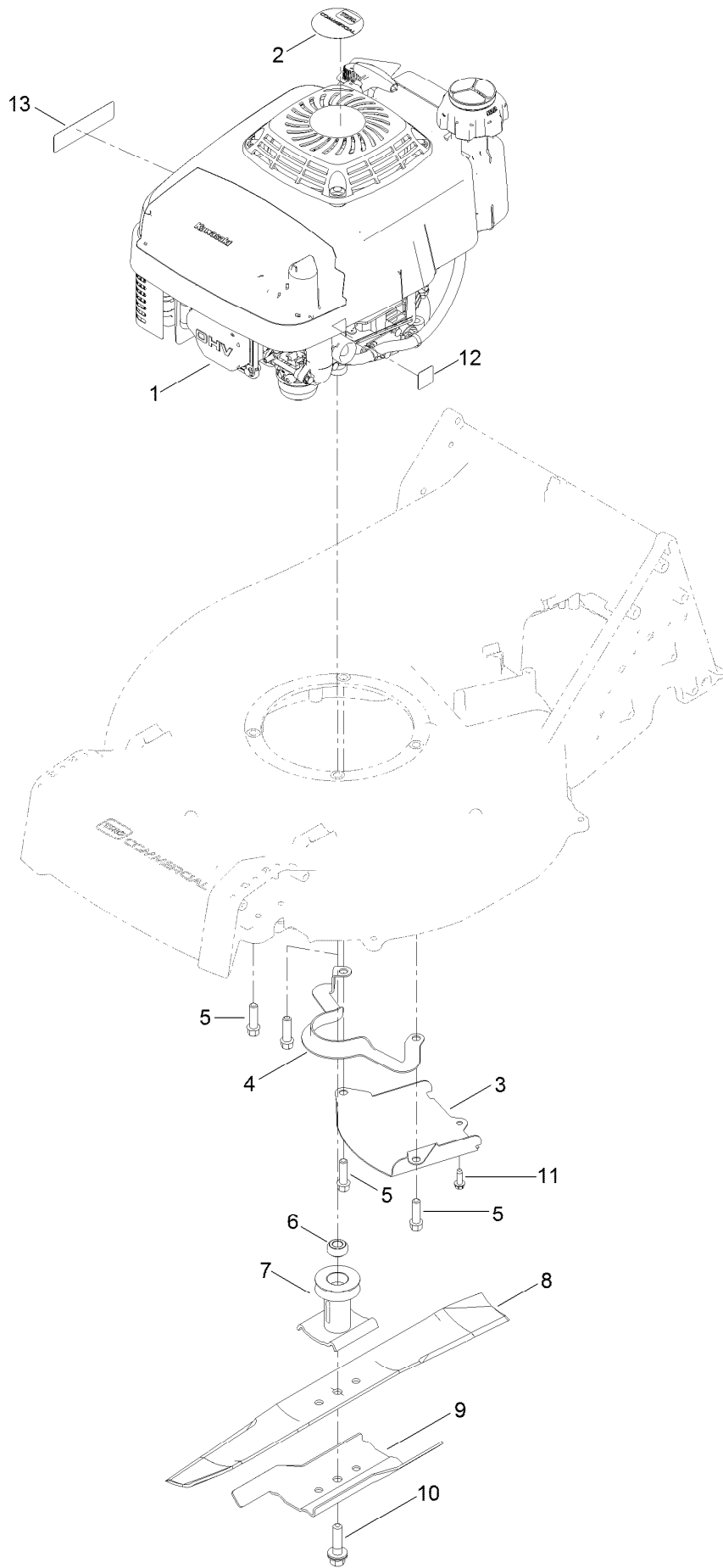
# Grass Bag Assembly



## Grass Bag Assembly (continued)

<i>Ref.</i>	<i>Part Number</i>	<i>Qty.</i>	<i>Description</i>	<i>Ref.</i>	<i>Part Number</i>	<i>Qty.</i>	<i>Description</i>
1	125-1017	1	Rod-Door, Bag	7	125-1008	1	Plug-Mulch
2	125-8402	1	Bag Door ASM	8	125-1007	1	Shield-Trailing
2:2	116-7583	1	Decal-Warning	9	125-8413	1	Rod-Shield, Trailing
3	125-1019	1	Spring-Torsion	10	133-8193-03	1	Bracket-Mount, Handle (LH)
4	1-513658	2	Bumper	11	133-8194-03	1	Bracket-Mount, Handle (RH)
5	121-1399-03	1	Frame-Bag	12	32144-70	4	Screw-HWHTF
6	125-1030	1	Bag-Grass				

# Engine and Blade Assembly



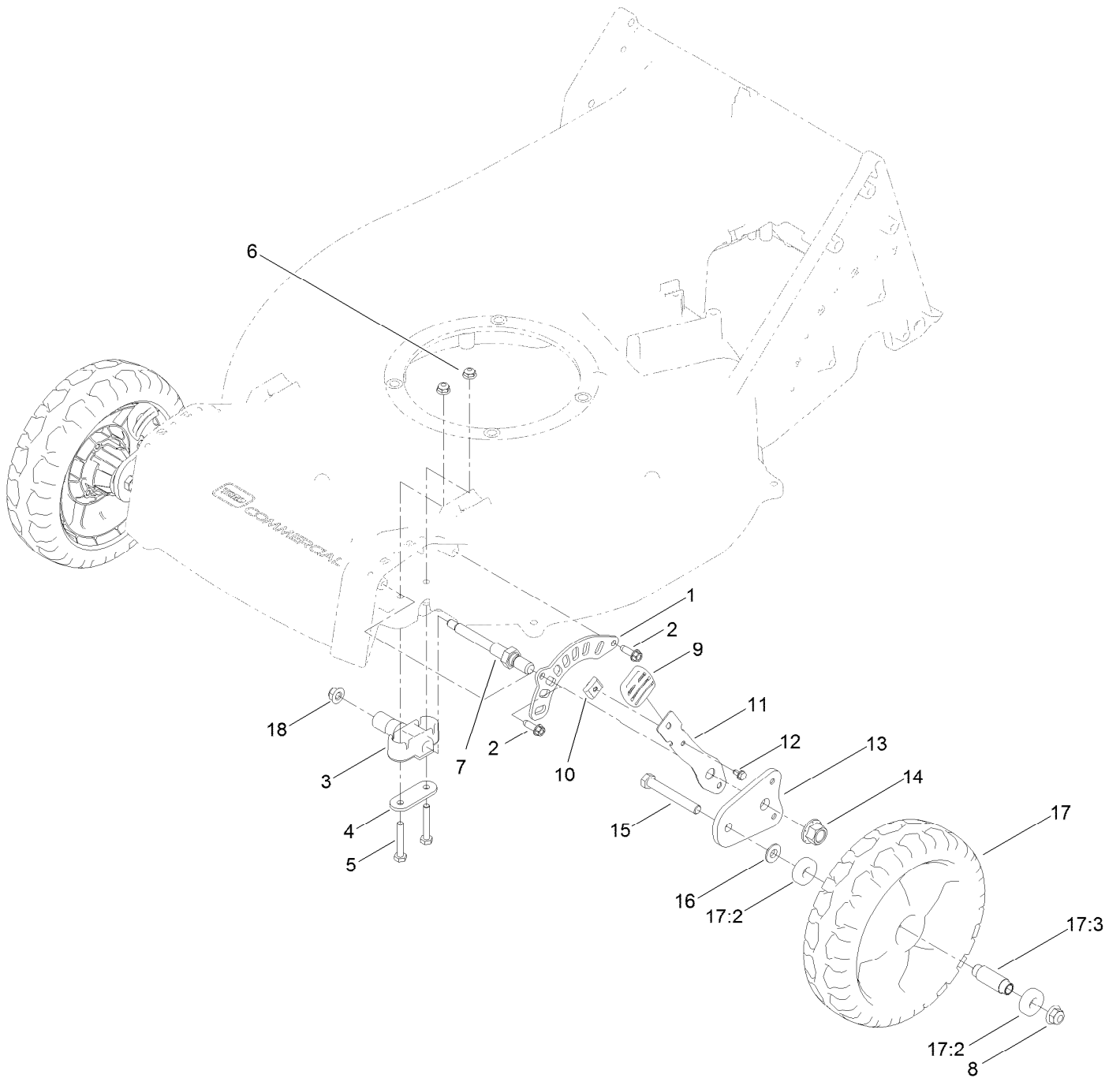


## Engine and Blade Assembly (continued)

<i>Ref.</i>	<i>Part Number</i>	<i>Qty.</i>	<i>Description</i>	<i>Ref.</i>	<i>Part Number</i>	<i>Qty.</i>	<i>Description</i>
1	121-1407	1	Engine-Kawasaki, Fj180V ●	8	133-8183-03	1	Blade-21In, Recycling
2	110-0520	1	Decal	9	125-1069-03	1	Accelerator-Blade
3	125-1005-03	1	Shield-Grass	10	125-2466	1	Bolt-Blade
4	108-8110-03	1	Guide-Belt	11	49-2040	1	Screw-HWHTF
5	95-1727	4	Screw-Taptite	12	125-8403	1	Decal-Primer
6	125-8432	1	Spacer-Driver, Blade	13	133-8062	1	Decal-Arrestor, Spark
7	106-3987	1	Driver-Blade				

● Obtain parts from [www.kawpowerepc.com](http://www.kawpowerepc.com)

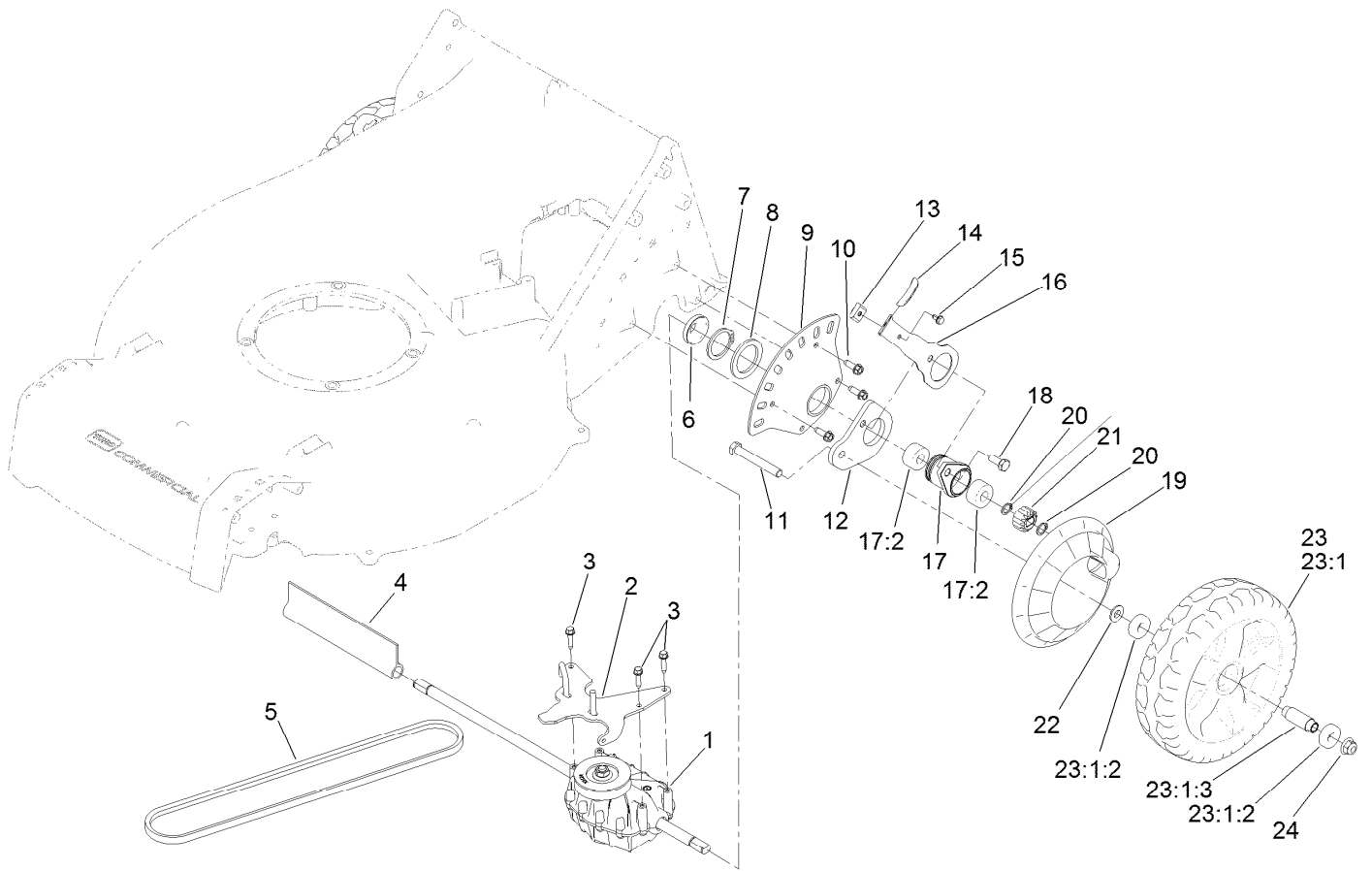
# Front Wheel and Height-of-Cut Assembly



## Front Wheel and Height-of-Cut Assembly (continued)

<i>Ref.</i>	<i>Part Number</i>	<i>Qty.</i>	<i>Description</i>	<i>Ref.</i>	<i>Part Number</i>	<i>Qty.</i>	<i>Description</i>
1	121-1439	2	Plate-HOC, Front	11	121-1431-03	2	Arm-Spring
2	49-2040	4	Screw-HWHTF	12	104-2065	2	Screw-HWH
3	136-5871	2	Bushing-Axle, Front (HOC)	13	130-6420	2	Arm-Pivot, Front
4	130-6434	2	Retainer-Bushing, Axle	14	99-5107	2	Nut-Lock
5	321-37	4	Screw-HH	15	323-13	2	Screw-HH
6	104-7201	4	Nut-HF	16	74-1671	2	Spacer-Cover, Wheel
7	133-2644	2	Axle-Front HOC	17	133-2639	2	Wheel
8	104-8301	2	Nut-HF, NI	17:2	133-2603	2	Bearing-Ball
9	125-1093	2	Knob-Lever, HOC	17:3	125-1077	1	Spacer
10	131-5377	2	Key-Arm, Spring	18	104-8300	2	Nut-HF, NI

# Transmission and Rear Wheel Assembly

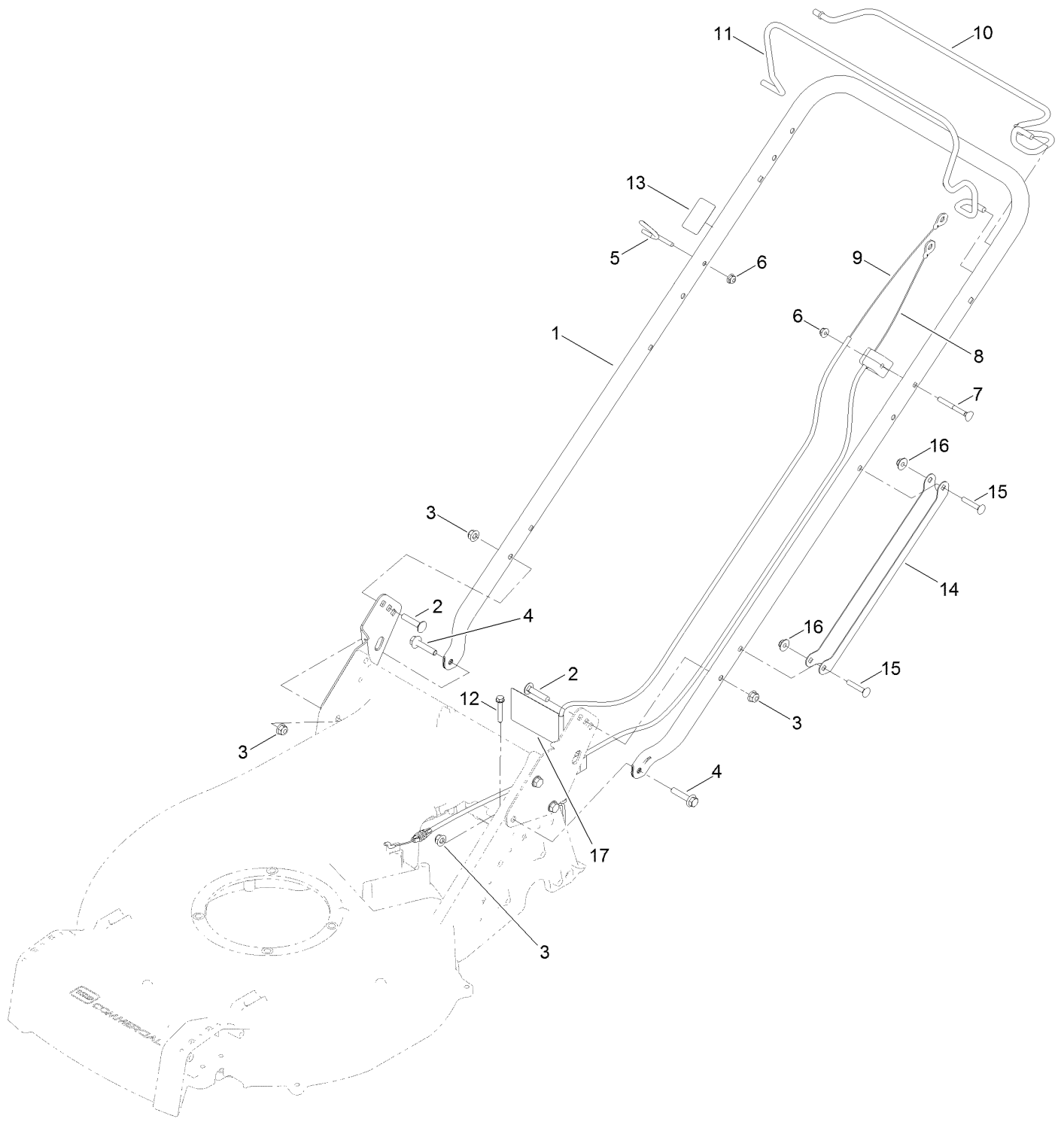


## Transmission and Rear Wheel Assembly (continued)

<i>Ref.</i>	<i>Part Number</i>	<i>Qty.</i>	<i>Description</i>	<i>Ref.</i>	<i>Part Number</i>	<i>Qty.</i>	<i>Description</i>
1	125-1020	1	Transmission	15	104-2065	2	Screw-HWH
2	125-8430-03	1	Guide-Belt	16	121-1448-03	2	Arm-Spring, Rear
3	27-0220	3	Screw-Special	17	136-5894	2	Bearing Retainer ASM
4	130-9681	1	Cover-Shaft, Transmission	17:2	133-2606	2	Bearing-Ball, Custom
5	125-8395	1	Belt-V	18	133-2668	2	Screw-HH
6	127-6848	2	Cover-Bearing	19	133-2635	2	Cover-Wheel
7	32151-10	2	Ring-Retaining	20	32151-61	4	Ring-Retaining
8	98-1452	2	Washer-Thrust	21	131-5399	2	Gear-Pinion, 15T
9	130-6422	2	Plate-HOC, Rear	22	74-1671	2	Spacer-Cover, Wheel
10	49-2040	6	Screw-HWHTF	23	133-2640	2	9-Inch Wheel ASM
11	323-13	2	Screw-HH	23:1		1	Wheel ●
12	133-2641	2	Arm-Pivot, Rear	23:1:2	133-2603	2	Bearing-Ball
13	131-5377	2	Key-Arm, Spring	23:1:3	125-1077	1	Spacer
14	125-1093	2	Knob-Lever, HOC	24	104-8301	2	Nut-HF, NI

● Not serviced separately

# Handle and Brake Assembly



## Handle and Brake Assembly (continued)

<i>Ref.</i>	<i>Part Number</i>	<i>Qty.</i>	<i>Description</i>	<i>Ref.</i>	<i>Part Number</i>	<i>Qty.</i>	<i>Description</i>
1	137-4817-03	1	Handle	10	125-8437-03	1	Bail-Traction
2	3230-4	2	Bolt-CARR	11	125-8436-03	1	Bail-Brake
3	104-8300	4	Nut-HF, NI	12	94-2691	1	Screw-HWH
4	115-1794	2	Screw-HHF	13	125-8404	1	Decal-Primer
5	114-2775	1	Guide-Rope	14	127-6897-03	1	Guard-Cable, Handle
6	104-7201	2	Nut-HF	15	108-0988	2	Screw-CARR
7	92-2270	1	Screw-Handle	16	114-3778	2	Nut-HF
8	125-8371	1	Cable-Brake	17	130-6722	1	Decal
9	125-8372	1	Cable-Traction				

# Attachments and Accessories

## For 22290 21in Heavy-Duty Recycler/Rear Bagger Lawn Mower

<b>Product Name</b>	<b>Model/Part</b>
Blade-Bagging, 21in .....	125-1072-03
Cup-Anti Scalp.....	125-8440
Engine Guard Kit .....	130-9700
Deck Side Guard Kit .....	130-9701
Rear Discharge Kit.....	130-9734



**Notes:**

**Notes:**

**Notes:**



**Count on it.**