



WHEEL HORSE[®]

15-38 HXL INT'L LAWN TRACTOR

Model No. 71240 – 9900001 & Up

Parts Catalog

ORDERING REPLACEMENT PARTS

To order replacement parts, please supply: the part number, the quantity, and the description of each part desired.

Contents

| Description | Page | Description | Page |
|---|------|--|-------|
| Frame & Body Assembly | 1 | 38" Deck Engagement Assembly | 13 |
| Hood & Tower Assembly | 2 | Height Of Cut Assembly | 14 |
| Rear Body & Seat Assembly | 3 | Electrical Assembly | 15 |
| Steering Assembly | 4 | Hydro Transaxle Assembly | 16 |
| Fixed Steering Assembly | 5 | Hydro Transaxle Assembly (Cont.) | 17 |
| Engine Components Assembly | 6 | Hydro Transaxle Assembly (Cont.) | 17 |
| Traction, Clutching Assembly | 7 | Wiring Schematic | 19 |
| 5 Speed Transaxle Assembly | 8 | Briggs & Stratton Engine | |
| Hydro Transaxle Assembly | 9 | Model 28Q777-690-E1 | 20-28 |
| Hydro Transaxle Controls Assembly | 10 | Toro Part Number Index | 29-36 |
| 38" Deck Assembly | 11 | Maintenance | 37 |
| 38" Deck Blade Drive & Brake Assembly | 12 | | |

Note:

Accessories

| Description | Model / Parts No. | Description | Model / Parts No. |
|--|-----------------------------|------------------------------------|-------------------|
| Easy Empty Bagging Kit | Model No. 79116 or 79117 | Tire Chains | Part No. 11-0430 |
| Twin Bag Bagger Kit | Model No. 79101 or 79103 | Headlight Kit (Std. this Model) .. | Model No. 79180 |
| Recycler Kit (Std. this Model) ... | Model No. 79170 | 42" (106.7cm) Snowblade Kit ... | Model No. 79150 |
| Hi-Sail Bagging Blade (Std. this Model) | Part No. 57-4700 | Wheel Weight Kit | Model No. 59159 |
| | | Anti-Scalp Kit (Std. this Model) . | Model No. 79182 |

Part Description Abbreviations

Part descriptions in this catalog may include the following abbreviations.

| Abbreviation | Meaning | Abbreviation | Meaning |
|--------------|-----------------------|--------------|-----------------------------------|
| AR | as required | HSBH | hex socket button head |
| ASM | assembly | HSFH | hex socket flat head |
| CARR | carriage | HSH | hex socket head |
| DEG | degrees | HWH | hex washer head |
| FH | flat head | HWHTF | hex washer head thread forming |
| GA | gauge | INC | incorporated |
| HF | hex flange | LH | left hand |
| HFW | hex flange washer | PH | pan head |
| HH | hex head | PPH | Phillips pan head |
| HHF | hex head flange | PTO | power take off |
| HHST | hex head self tapping | RH | right hand |
| HJ | hex jam | SFH | slotted fillister head |
| HOC | height-of-cut | SH | square head |
| HS | hex socket | | |

| | | | |
|------------|-------------------------|-----------|-----------------|
| SHWH | slotted hex washer head | TH | truss head |
| SPH | slotted pan head | TTH | Torx truss head |
| STD | standard | WH | wing head |
| TAP | self tapping | | |

Important Format Explanations

This catalog uses special formats to convey information in illustrations and parts lists. Specifically, one format is used in conjunction with service assemblies and another with quantities associated with reference numbers.

Service Assemblies

Parts within service assemblies have reference numbers in the form $X:Y$. X is the reference number of the service assembly and Y is a sequential number unique to each part within the service assembly.

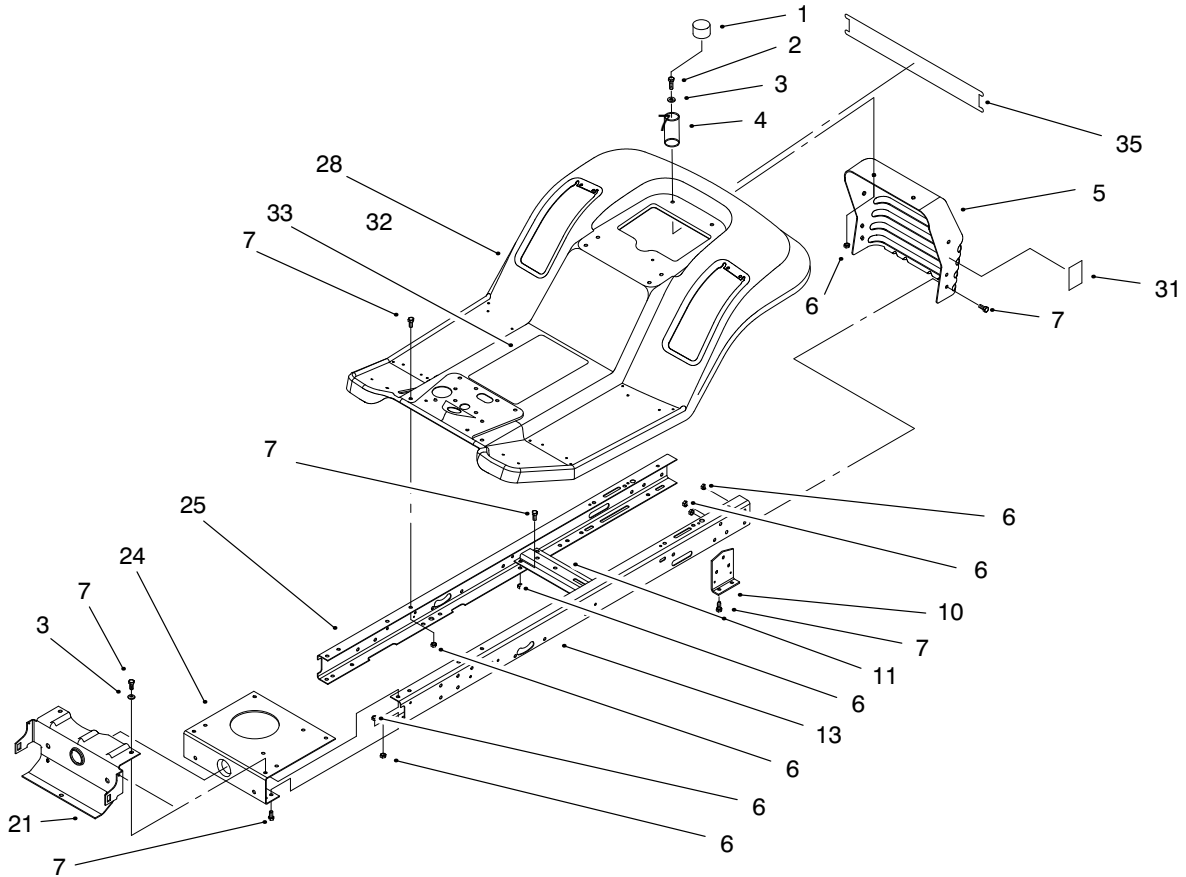
For example, a wheel assembly might be identified by reference number 6, the tire by 6:1, the valve by 6:2, and the wheel by 6:3. When you order the assembly identified by reference number 6, you receive all parts identified by reference numbers 6:1, 6:2, and 6:3. However, you may also order any part individually.

Reference numbers of this type appear in part lists and as callouts in illustrations.

Reference Numbers with Quantities

Illustrations may have a quantity in parentheses next to a reference number, in the form $X (Y)$. X is the reference number. Y in parentheses is the quantity of the part identified by the reference number.

For example, the illustration callout 4 (2) indicates that two parts are used in that instance.

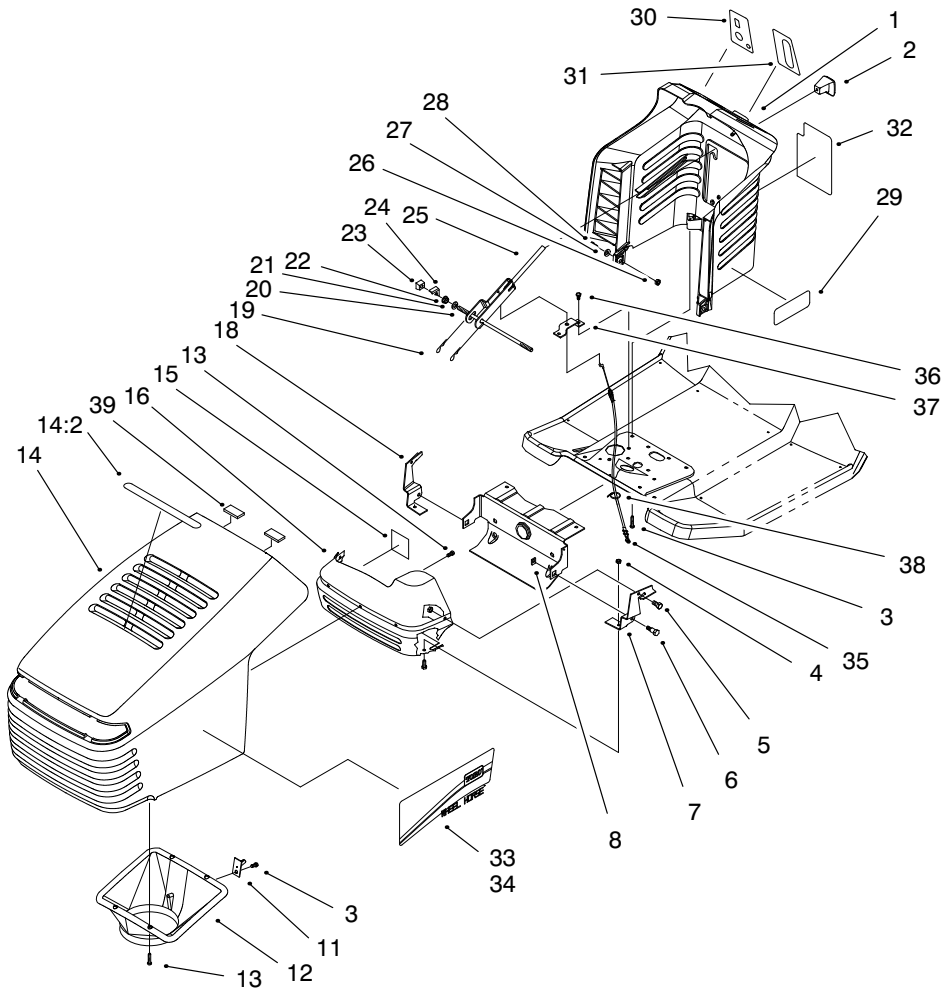


Sheet No.:2

Frame & Body Assembly

| Ref. No. | Part No. | Qty. | Description |
|----------|------------|------|--------------------------|
| 1 | 701178 | 2 | Cap-Protector |
| 2 | 322-5 | 2 | Screw-HH |
| 3 | 3256-23 | 4 | Washer-Flat |
| 4 | 88-6220 | 2 | Spring - Compression |
| 5 | 99-2957-03 | 1 | Panel-Rear Hitch |
| 6 | 3296-29 | 24 | Nut-Lock Ni |
| 7 | 322-3 | 22 | Screw-HH |
| 10 | 88-5260-03 | 2 | Bracket-Transaxle Mtg |
| 11 | 88-4620-03 | 1 | Bracket-Idler Pivot |
| 13 | 99-2958-03 | 1 | Rail- LH Frame |
| 21 | 98-3575-03 | 1 | Support-Front Axle |
| 24 | 88-4630-03 | 1 | Plate-Eng Mtg |
| 25 | 99-2959-03 | 1 | Rail- RH Frame |
| 28 | 99-2971 | 1 | Body ASM-Rear |
| 31 | 93-6678 | 1 | Decal - Dump Valve |
| 33 | 93-6676 | 1 | Decal - Instruction |
| 35 | 95-0809 | 1 | Decal-Rear Body |

| Ref. No. | Part No. | Qty. | Description |
|----------|----------|------|-------------|
| | | | |

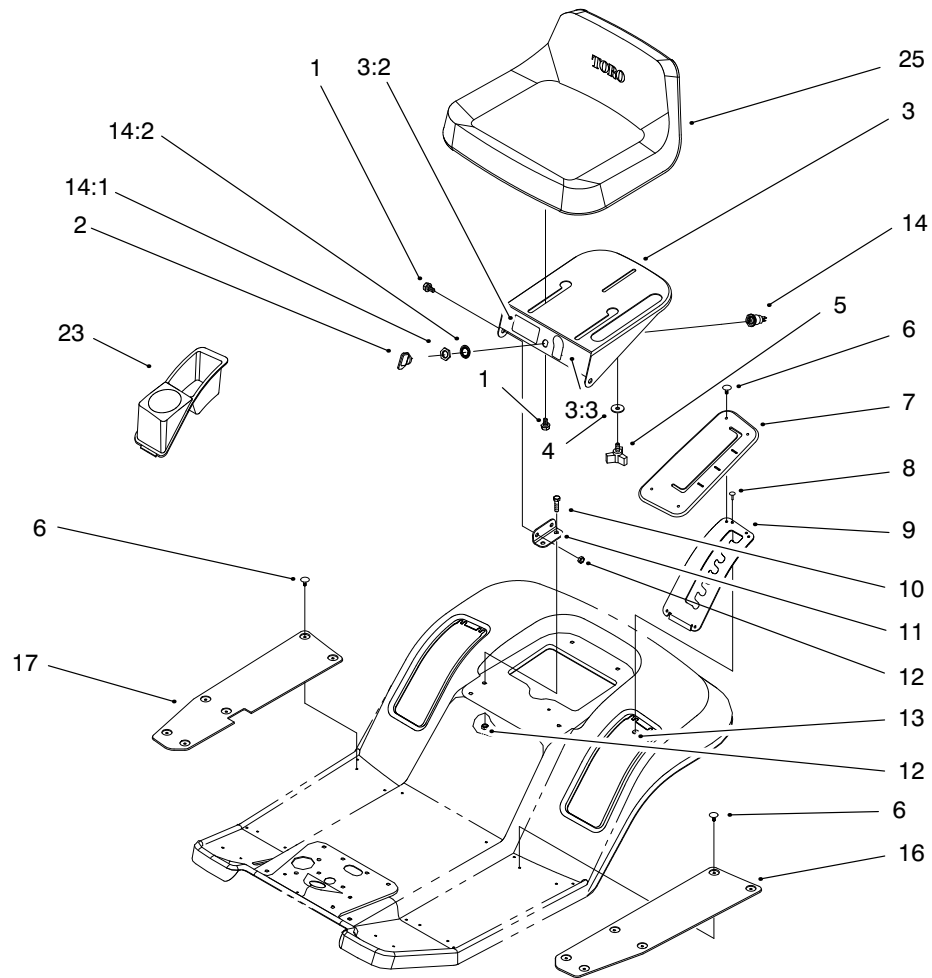


Sheet No.:3

Hood & Tower Assembly

| Ref. No. | Part No. | Qty. | Description |
|----------|------------|------|--------------------------|
| 1 | 99-1947 | 1 | Tower-Steering [Service] |
| 2 | 94-5565 | 1 | Knob - Shift |
| 3 | 46-8091 | 3 | Special-HWH |
| 4 | 3296-42 | 4 | Nut-Lock Ni |
| 5 | 321-2 | 4 | Screw-HH |
| 6 | 28-0540 | 2 | Bolt-Shoulder |
| 7 | 88-6050-03 | 1 | Bracket-LH Hinge |
| 8 | 3290-496 | 2 | Nut-Retainer |
| 11 | 94-1984 | 1 | Latch - Pin |
| 12 | 93-3891 | 1 | Duct - Hood Air |
| 13 | 46-8090 | 7 | Screw-Plastite |
| 14 | 93-3819 | 1 | Hood-w/Decal Toro |
| 14:2 | 92-5748 | 1 | Decal-Air Duct Toro |
| 15 | 92-5782 | 3 | Foil Tape |
| 16 | 93-3864-03 | 1 | Shield - Heat |
| 18 | 88-6040-03 | 1 | Bracket-RH Hinge |
| 19 | 3290-307 | 2 | Cotter-Hairpin |
| 20 | 88-4170 | 1 | Rod-Tower Pivot |
| 21 | 3256-24 | 2 | Washer-Flat |
| 22 | 32128-43 | 2 | Nut-Lock Whiz |
| 23 | 88-4140 | 2 | Nut-Wedge |
| 24 | 88-4160 | 2 | Rod-Clamp Pivot |
| 25 | 88-5190-03 | 1 | Deck Engage Lev Wa |
| 26 | 3296-29 | 2 | Nut-Lock Ni |
| 27 | 3256-23 | 2 | Washer-Flat |

| Ref. No. | Part No. | Qty. | Description |
|----------|----------|------|-----------------------|
| 28 | 322-3 | 2 | Screw-HH |
| 29 | 99-5913 | 2 | Decal-1538 Hxl |
| 30 | 99-8141 | 1 | Decal-Ignition/Lights |
| 31 | 92-5730 | 1 | Decal - Throttle |
| 32 | 93-6673 | 1 | Decal - Deck Engage |
| 33 | 95-0808 | 1 | Decal - Hood Left |
| 34 | 95-0807 | 1 | Decal - Hood Right |
| 35 | 99-6837 | 1 | Cable ASM-Deck Engage |
| 36 | 9266714 | 2 | Screw-HWH |
| 37 | 93-3849 | 1 | Brkt-Upper Cable |
| 38 | 614249 | 1 | Strap-Tie Sm |
| 39 | 94-1980 | 2 | Foam - Hood |

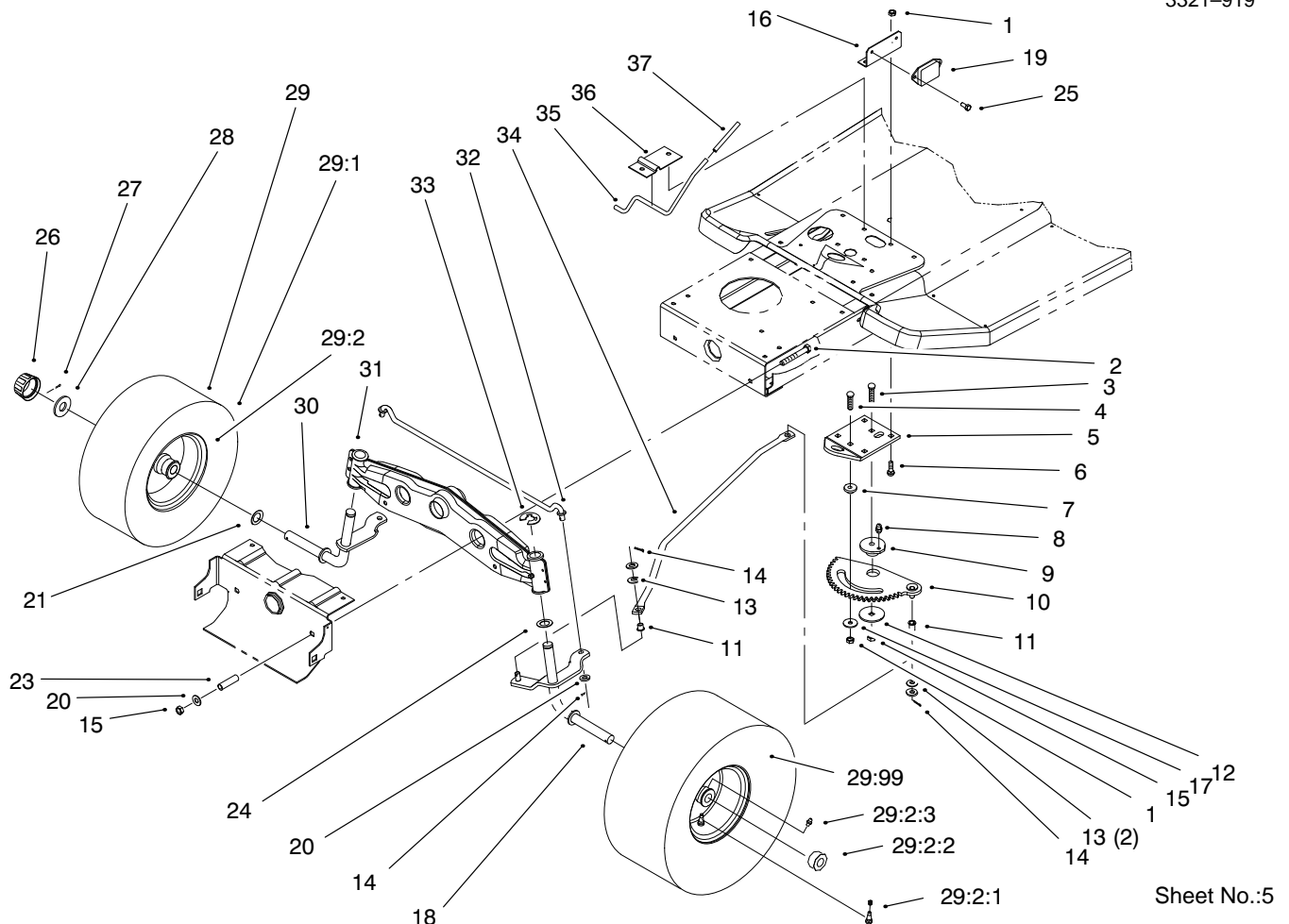


Sheet No.:4

Rear Body & Seat Assembly

| Ref. No. | Part No. | Qty. | Description |
|----------|------------|------|-------------------------|
| 1 | 37-8770 | 4 | Bolt-Shoulder |
| 2 | 63-8360 | 1 | Key-Ignition w/Shield |
| 3 | 99-5831 | 1 | Support ASM-Seat |
| 3:2 | 99-2986 | 1 | Decal-Danger Intl |
| 3:3 | 99-5340 | 1 | Decal-Nmir Switch Intl |
| 4 | 5-4460 | 1 | Washer-Pivot |
| 5 | 92-9674 | 1 | Knob |
| 6 | 3290-479 | 16 | Fastener-Panel |
| 7 | 93-7657 | 1 | Cover - HOC, Intl |
| 8 | 3290-282 | 2 | Rivet-Stl Pop |
| 9 | 88-5030-03 | 1 | Gate-HOC |
| 10 | 322-3 | 4 | Screw-HH |
| 11 | 88-4820-03 | 2 | Bracket-Seat Hinge |
| 12 | 3296-29 | 6 | Nut-Lock Ni |
| 13 | 3269-26 | 2 | Washer-Flat |
| 14 | 46-5780 | 1 | Switch-Starter |
| 14:1 | 218-461 | 1 | Nut-F/W |
| 14:2 | 3254-5 | 1 | Washer-Lock/Intl |
| 16 | 88-5240 | 1 | Mat-LH Foot |
| 17 | 88-5230 | 1 | RH Foot Mat Hydro |
| 23 | 88-4990 | 1 | Tray - Fender |
| 25 | 88-3950 | 1 | Seat - Medium Back V411 |

| Ref. No. | Part No. | Qty. | Description |
|----------|----------|------|-------------|
| | | | |
| | | | |
| | | | |
| | | | |
| | | | |
| | | | |
| | | | |
| | | | |
| | | | |
| | | | |
| | | | |
| | | | |
| | | | |
| | | | |
| | | | |
| | | | |
| | | | |
| | | | |
| | | | |
| | | | |
| | | | |
| | | | |

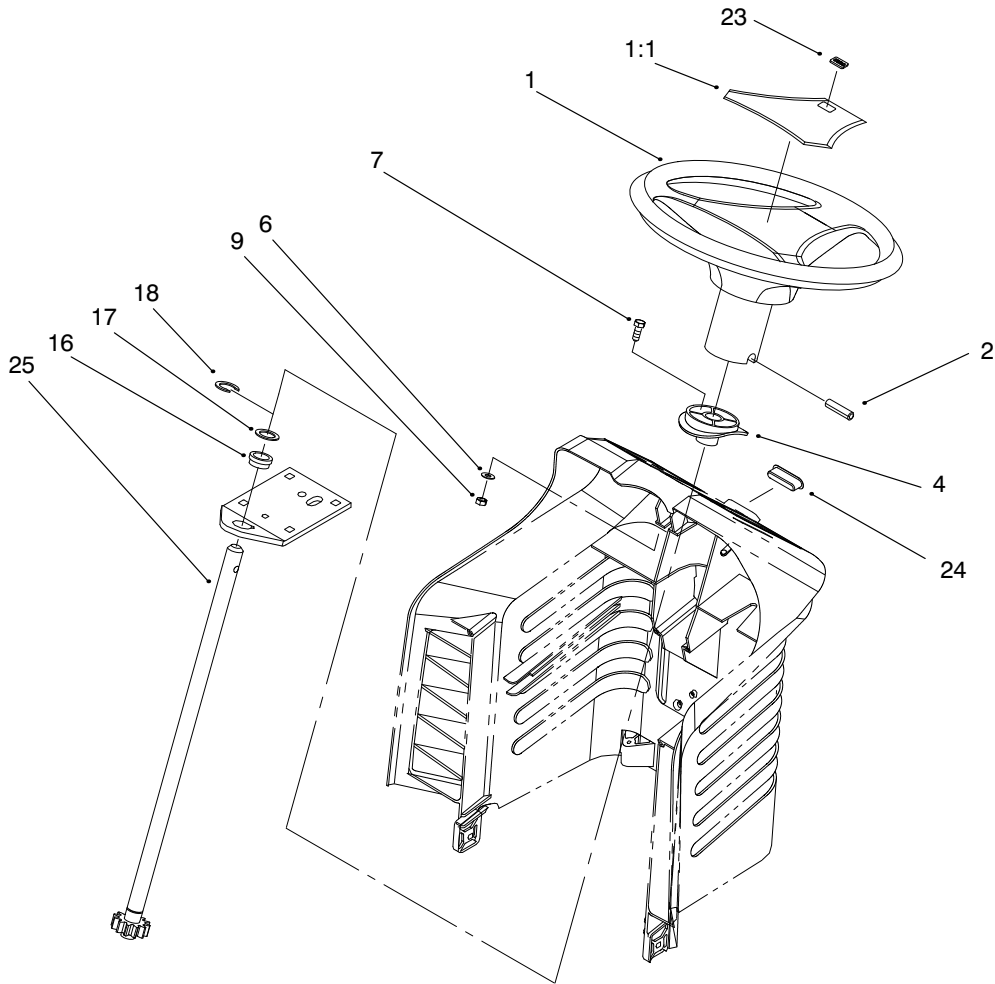


Sheet No.:5

Steering Assembly

| Ref. No. | Part No. | Qty. | Description |
|----------|------------|------|------------------------|
| 1 | 3296-29 | 5 | Nut-Lock Ni |
| 2 | 323-13 | 2 | Screw-HH |
| 3 | 3231-4 | 1 | Screw-CARR |
| 4 | 3230-3 | 1 | Screw-CARR |
| 5 | 88-5130-03 | 1 | Bracket-Steering Rack |
| 6 | 3230-2 | 4 | Screw-CARR |
| 7 | 88-5010 | 1 | Spacer - Steering Rack |
| 8 | 302-26 | 1 | Zerk |
| 9 | 88-4670 | 1 | Bushing - Eccentric |
| 10 | 88-5200 | 1 | Steering Rack Wa |
| 11 | 52-2891 | 2 | Bushing-Steering Link |
| 12 | 111419 | 1 | Bearing-Washer |
| 13 | 3256-25 | 4 | Washer-Flat |
| 14 | 3272-10 | 4 | Pin-Cotter |
| 15 | 3296-39 | 3 | Nut-Lock Ni |
| 16 | 99-2956-03 | 1 | Bracket-Module |
| 17 | 5-4460 | 1 | Washer-Pivot |
| 18 | 92-7890-03 | 1 | LH Spindle Wa |
| 19 | 99-3700 | 1 | Module-Nmir |
| 20 | 3256-24 | 4 | Washer-Flat |
| 21 | 3-6498 | 4 | Washer-Thrust |
| 23 | 88-5470 | 2 | Spacer-Front Axle |
| 24 | 3-6498 | 2 | Washer-Thrust |
| 25 | 9266714 | 2 | Screw-HWH |

| Ref. No. | Part No. | Qty. | Description |
|----------|------------|------|-----------------------|
| 26 | 61-9780 | 2 | Cap-Hub |
| 27 | 3272-12 | 2 | Pin-Cotter |
| 28 | 28-2480 | 2 | Washer |
| 29 | | 2 | Wheel&tire ASM,Front |
| 29:1 | 99-2988 | 1 | Tire |
| 29:2 | 99-6829 | 1 | 15" Rim ASM |
| 29:2:1 | 232-27 | 1 | Stem-Valve |
| 29:2:2 | 110513 | 2 | Bearing - Wheel |
| 29:2:3 | 302-5 | 1 | Fitting-Lube |
| 29:99 | 232-39 | 1 | Tube |
| 30 | 92-7889-03 | 1 | RH Spindle Wa |
| 31 | 94-1962-03 | 1 | Axle Wa-Front |
| 32 | 88-5380 | 1 | Tie Rod - Steering |
| 33 | 32151-48 | 2 | E-Ring |
| 34 | 88-4830 | 1 | Link-Drag |
| 35 | 88-5510 | 1 | Rod-Parking Brake |
| 36 | 88-5520-03 | 1 | Bracket-Parking Brake |
| 37 | 88-0890 | 1 | Grip-Bag Handle |

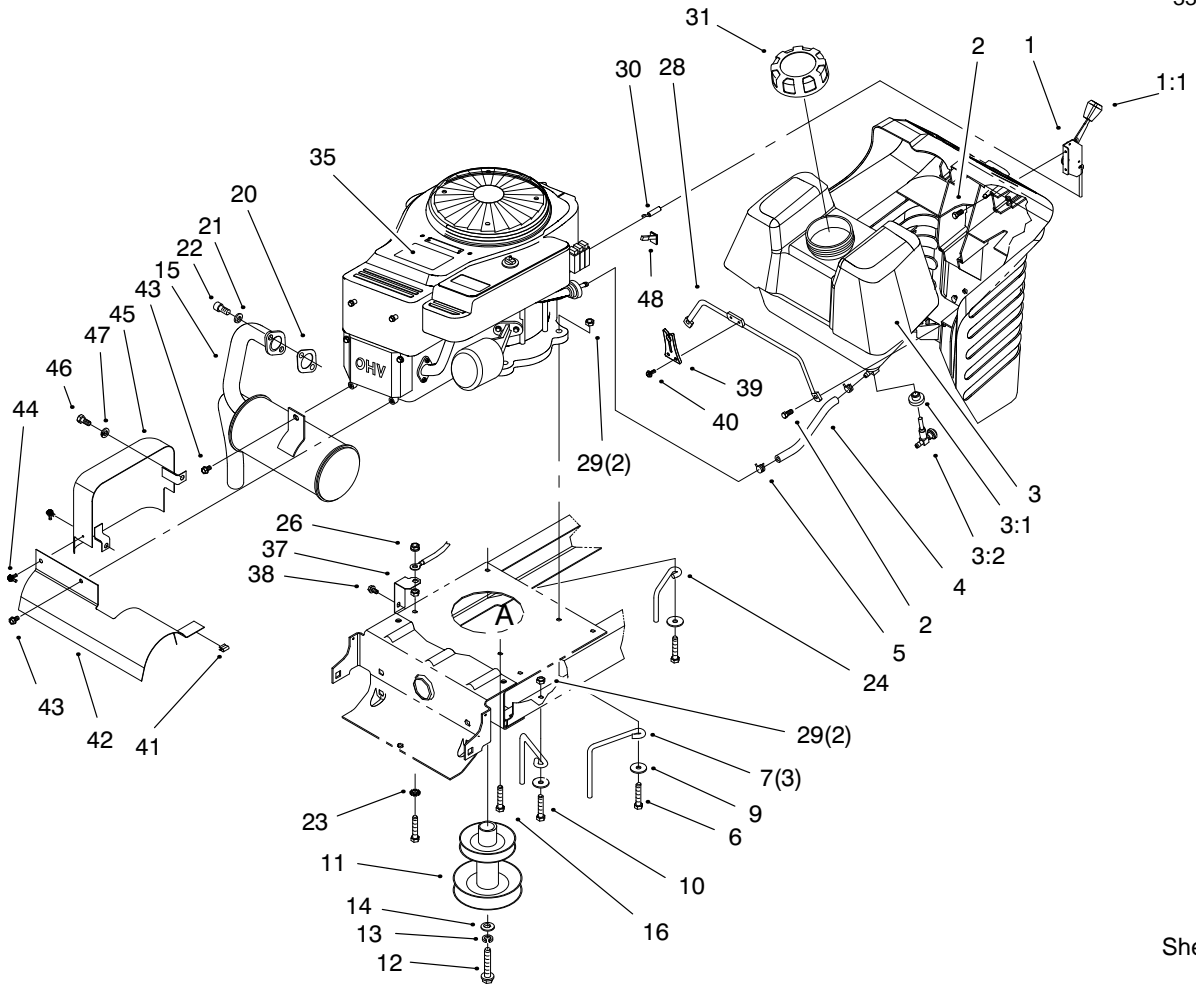


Sheet No.:7

Fixed Steering Assembly

| Ref. No. | Part No. | Qty. | Description |
|----------|-----------|------|---------------------------|
| 1 | 98-1467 | 1 | Wheel – Steering |
| 1:1 | 98-1468 | 1 | Cover – Wheel, Steering |
| 2 | 32121-111 | 1 | Pin-Roll |
| 4 | 88-4190 | 1 | Bushing – Sliding |
| 6 | 3256-22 | 2 | Washer-Flat |
| 7 | 321-4 | 2 | Screw-HH |
| 9 | 3296-42 | 2 | Nut-Lock Ni |
| 16 | 88-5150 | 1 | Bearing-Flange |
| 17 | 3-6498 | 1 | Washer-Thrust |
| 18 | 32151-48 | 1 | E-Ring |
| 23 | 98-1459 | 1 | Decal – Toro |
| 24 | 88-4150 | 1 | Plug |
| 25 | 88-6380 | 1 | Long Steering Shaft Wa |

| Ref. No. | Part No. | Qty. | Description |
|----------|----------|------|-------------|
| | | | |

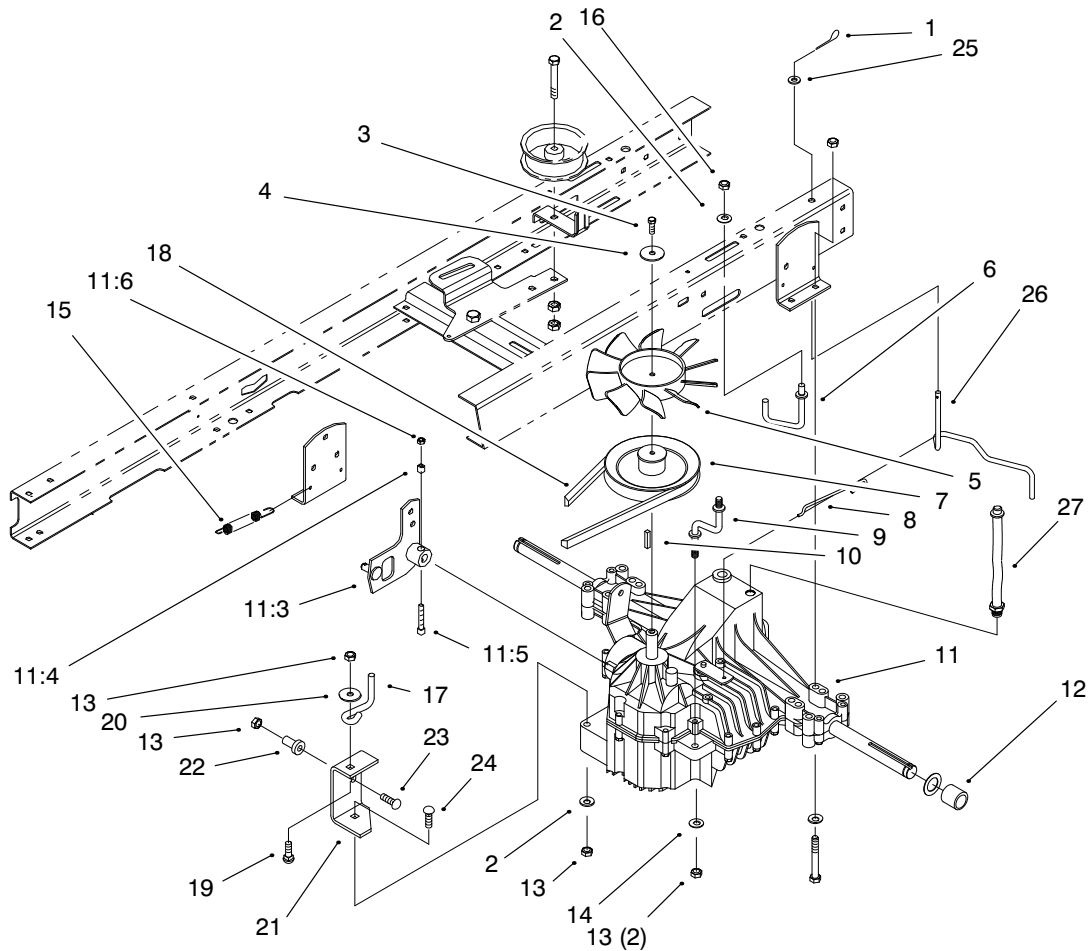


Sheet No.:8

Engine Components Assembly

| Ref. No. | Part No. | Qty. | Description |
|----------|----------|------|---------------------|
| 1 | 88-4340 | 1 | Control-Throttle |
| 1:1 | 66-0120 | 1 | Knob |
| 2 | 27-0220 | 4 | Screw-Special |
| 3 | 88-3880 | 1 | Gas Tank ASM |
| 3:1 | 104047 | 1 | Bushing |
| 3:2 | 104048 | 1 | Valve-Fuel |
| 4 | 47-2963 | 1 | Hose-Gas |
| 5 | 2412-98 | 2 | Clamp |
| 6 | 322-9 | 3 | Screw-HH |
| 7 | 93-3854 | 3 | Guide - Belt Engine |
| 9 | 5-4460 | 4 | Washer-Pivot |
| 10 | 322-5 | 2 | Screw-HH |
| 11 | 88-4850 | 1 | Engine Pulley |
| 12 | 26-0671 | 1 | Screw-Blade |
| 13 | 3253-22 | 1 | Washer-Lock/Sp |
| 14 | 3256-25 | 1 | Washer-Flat |
| 15 | 94-1953 | 1 | Muffler - Exhaust |
| 16 | 9267154 | 1 | Screw |
| 20 | 88-4410 | 1 | Gasket-Muffler |
| 21 | 3253-4 | 2 | Washer-Lock/Sp |
| 22 | 3274-10 | 2 | Screw-HSH |
| 23 | 3255-8 | 1 | Washer-Lock/Ext |
| 24 | 93-3855 | 1 | Guide - Belt RH |
| 26 | 32149-1 | 2 | Nut-Keps |
| 28 | 94-1952 | 1 | Rod - Gas Tank |
| 29 | 3296-29 | 4 | Nut-Lock Ni |

| Ref. No. | Part No. | Qty. | Description |
|----------|------------|------|----------------------|
| 30 | 88-4350 | 1 | Cable-Throttle |
| 31 | 88-3980 | 1 | Gas Cap Assembly |
| 35 | 99-8056 | 1 | Decal - Engine |
| 37 | 93-3809 | 1 | Bracket- Ground |
| 38 | 9266714 | 1 | Screw-HWH |
| 39 | 94-1951 | 1 | Latch - Hood |
| 40 | 32144-112 | 2 | Screw-Thread Forming |
| 41 | 93-3882 | 1 | Clip - Tinnerman, U |
| 42 | 93-3880-03 | 1 | Shield-Muffler |
| 43 | 9266714 | 2 | Screw-HWH |
| 44 | 32104-76 | 2 | Screw-Acorn Slot |
| 45 | 93-8450-03 | 1 | Wa - Exhaust Shield |
| 46 | 322-3 | 1 | Screw-HH |
| 47 | 3253-4 | 1 | Washer-Lock/Sp |
| 48 | 88-4490 | 1 | Reducer-Throttle Rpm |

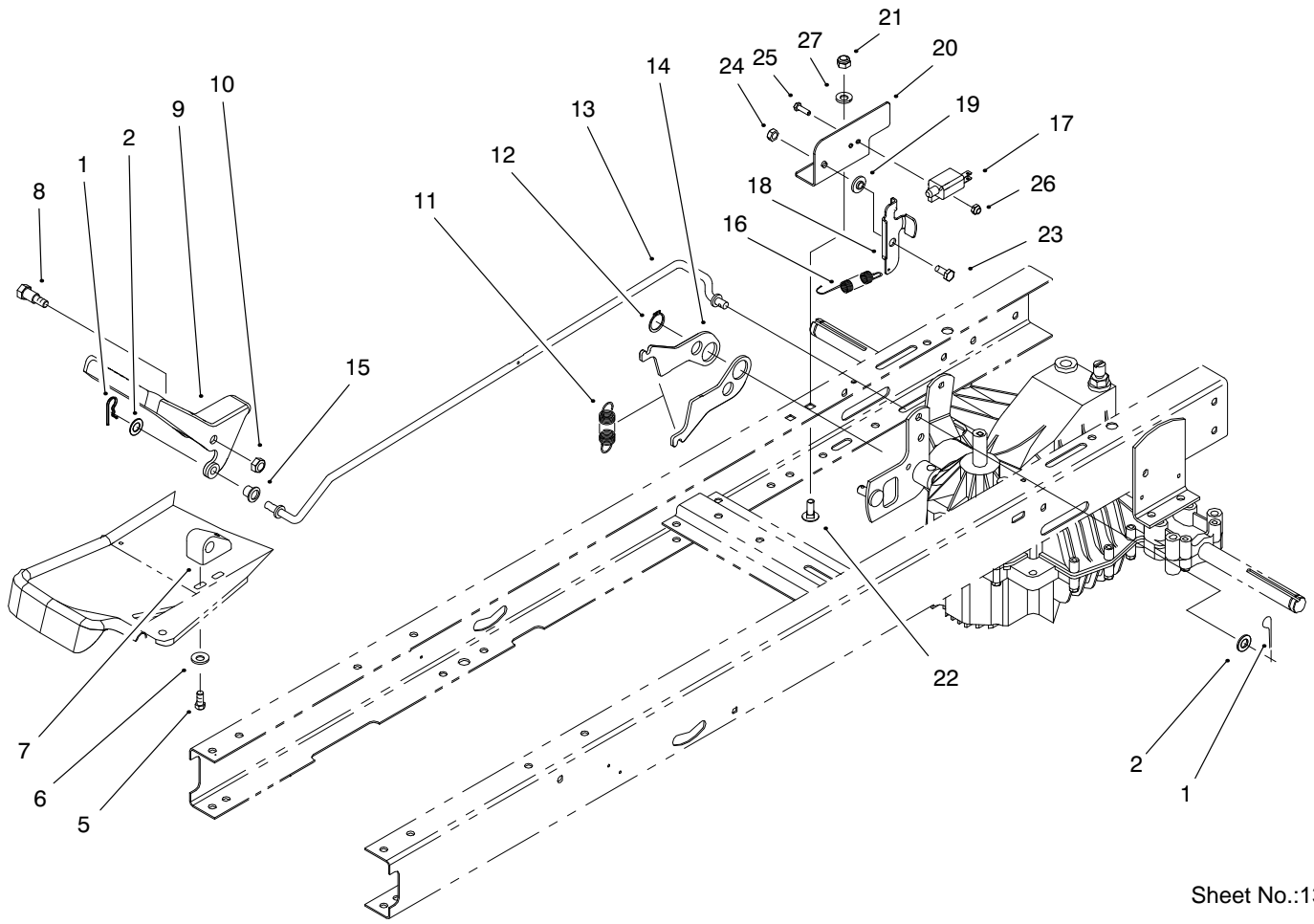


Sheet No.:12

Hydro Transaxle Assembly

| Ref. No. | Part No. | Qty. | Description |
|----------|-----------|------|---------------------------|
| 1 | 3290-307 | 1 | Cotter-Hairpin |
| 2 | 3256-23 | 2 | Washer-Flat |
| 3 | 33113-016 | 1 | Screw-HH |
| 4 | 3256-58 | 1 | Washer-Flat |
| 5 | 115271 | 1 | Fan-7" |
| 6 | 88-5960 | 1 | LH Trans Belt Guide |
| 7 | 88-6180 | 1 | Hydro Trans Pulley |
| 8 | 92-8856 | 1 | Wire - Bypass |
| 9 | 88-5620 | 1 | Torque Strap |
| 10 | 80-6090 | 1 | Key - Pump |
| 11 | 94-6775 | 1 | Transaxle ASM-Hydro |
| 11:1 | | 1 | Transaxle-Hydrostat |
| 11:3 | 99-5843 | 1 | Lever Wa-Speed Control |
| 11:4 | 86-4270 | 1 | Lock Spacer |
| 11:5 | 3274-59 | 1 | Screw-HSH |
| 11:6 | 3296-12 | 1 | Nut-Lock Ni |
| 12 | 88-5360 | 2 | Spacer |
| 13 | 3296-29 | 5 | Nut-Lock Ni |
| 14 | 3256-23 | 2 | Washer-Flat |
| 15 | 26-6701 | 1 | Spring-Brake Return |
| 16 | 32149-1 | 1 | Nut-Keps |
| 17 | 88-5460 | 1 | Trans Belt Guide |
| 18 | 88-6280 | 1 | V - Belt |
| 19 | 3230-2 | 1 | Screw-CARR |

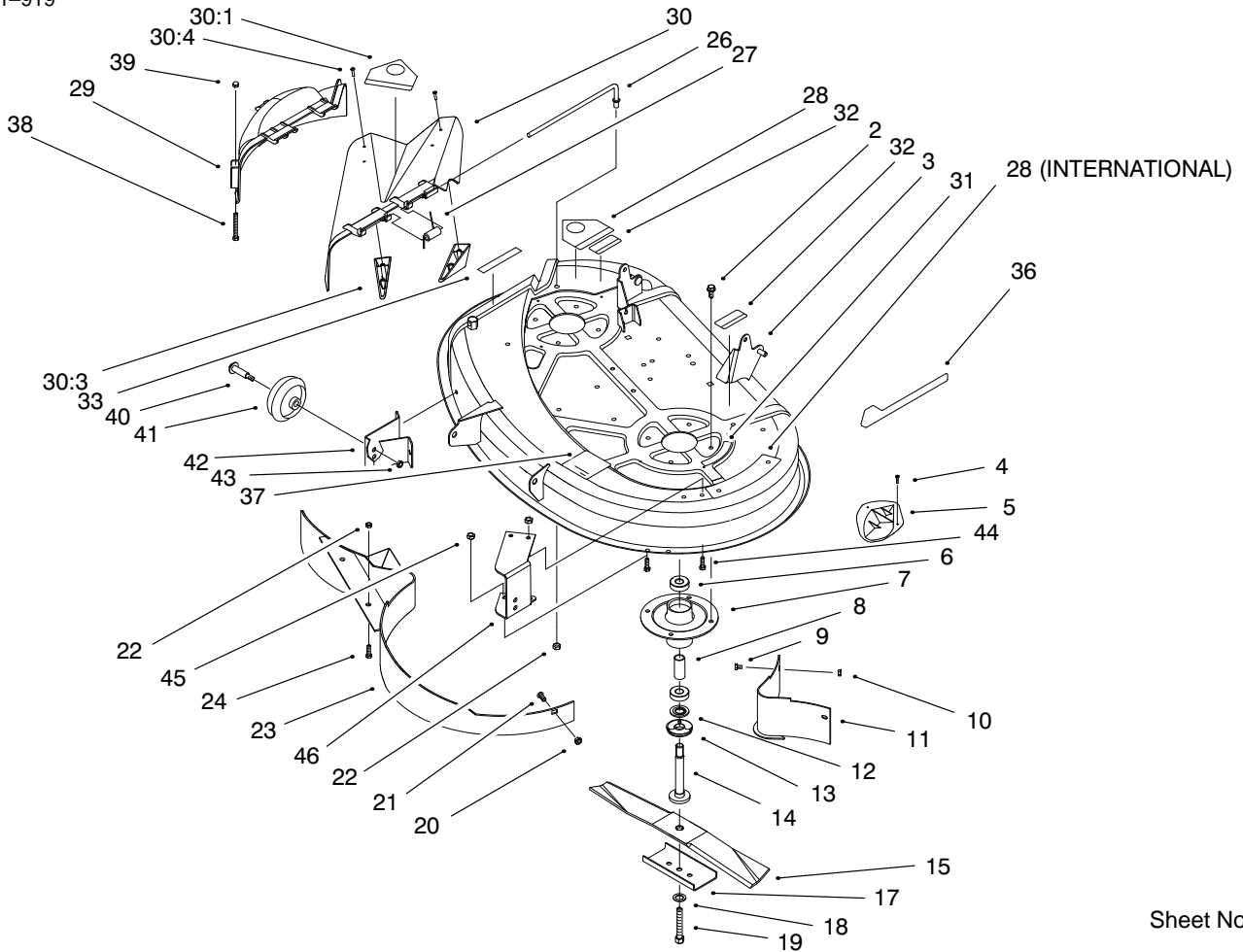
| Ref. No. | Part No. | Qty. | Description |
|----------|------------|------|---------------------|
| 20 | 5-4460 | 1 | Washer-Pivot |
| 21 | 92-6013-03 | 1 | Brkt-Speed Ctrl |
| 22 | 65-5080 | 1 | Flange Bushing |
| 23 | 3230-5 | 1 | Screw-CARR |
| 24 | 3230-7 | 1 | Screw-CARR |
| 25 | 3256-22 | 1 | Washer-Flat |
| 26 | 92-8857 | 1 | Lever - Bypass |
| 27 | 94-1945 | 1 | ASM - Breather Hose |



Sheet No.:13

Hydro Transaxle Controls Assembly

| Ref. No. | Part No. | Qty. | Description | Ref. No. | Part No. | Qty. | Description |
|----------|------------|------|------------------------|----------|----------|------|-------------|
| 1 | 3290-307 | 2 | Cotter-Hairpin | 26 | 3296-1 | 2 | Nut-Lock Ni |
| 2 | 3256-38 | 2 | Washer-Flat | 27 | 3256-23 | 2 | Washer-Flat |
| 5 | 46-8090 | 2 | Screw-Plastite | | | | |
| 6 | 3256-22 | 2 | Washer-Flat | | | | |
| 7 | 88-4690 | 1 | Pivot Block | | | | |
| 8 | 23-0310 | 1 | Shoulder Bolt | | | | |
| 9 | 99-6120-05 | 1 | Pedal-Speed Control | | | | |
| 10 | 3296-59 | 1 | Nut-Lock Ni | | | | |
| 11 | 92-7305 | 1 | Spring-Extension | | | | |
| 12 | 32151-83 | 1 | Snap Ring | | | | |
| 13 | 99-6803 | 1 | Rod-Speed Control,1538 | | | | |
| 14 | 88-5610 | 2 | Neutral Return Lever | | | | |
| 15 | 99-6121 | 1 | Bushing | | | | |
| 16 | 99-6805 | 1 | Spring-Extension | | | | |
| 17 | 95-1653 | 1 | Switch - Single Pole | | | | |
| 18 | 99-6807 | 1 | Bracket - Pivot | | | | |
| 19 | 99-6808 | 1 | Washer-Stepped | | | | |
| 20 | 99-6806 | 1 | Bracket - Adjustment | | | | |
| 21 | 3296-29 | 2 | Nut-Lock Ni | | | | |
| 22 | 3230-18 | 2 | Screw-CARR | | | | |
| 23 | 99-6810 | 1 | Screw-Hex Hd | | | | |
| 24 | 3296-42 | 1 | Nut-Lock Ni | | | | |
| 25 | 3290-392 | 2 | Screw - Hex Head Slot | | | | |

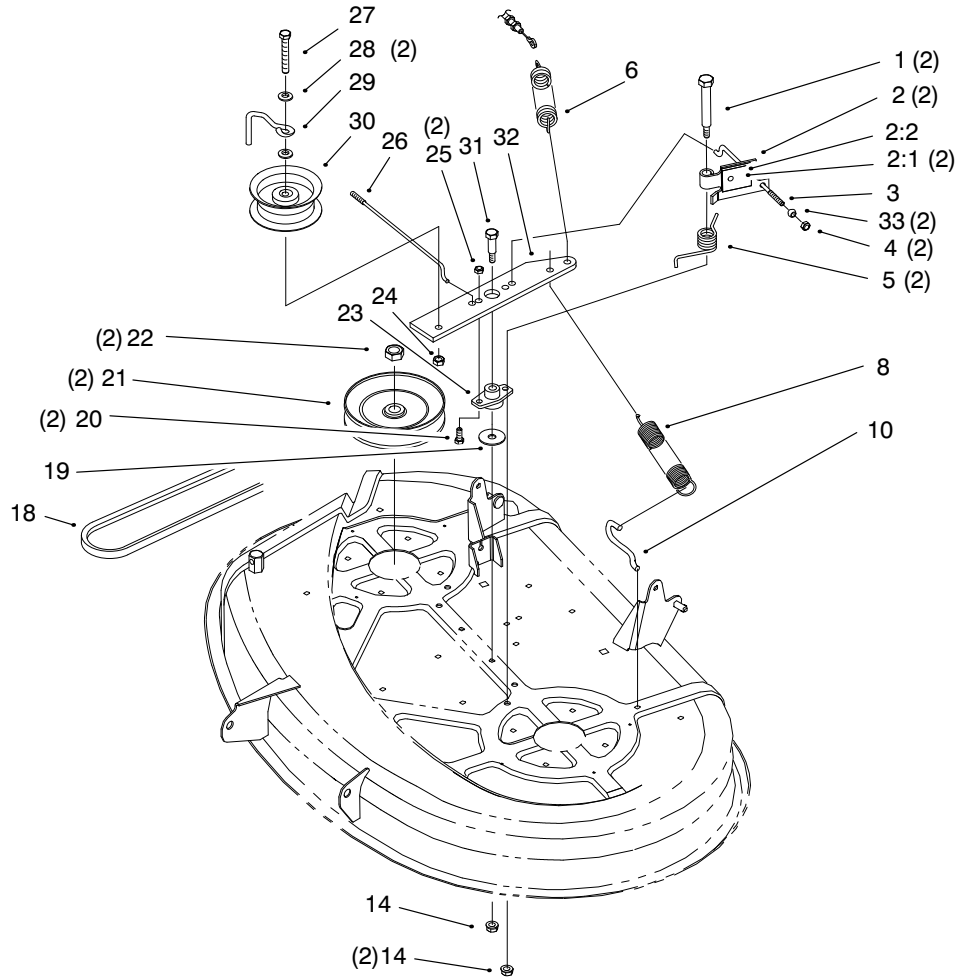


Sheet No.:16

38" Deck Assembly

| Ref. No. | Part No. | Qty. | Description |
|----------|------------|------|--------------------------|
| 2 | 32144-41 | 8 | Screw-Taptite |
| 3 | 99-5847 | 1 | Deck ASM-Service,Intl |
| 4 | 32144-111 | 8 | Screw-PPH |
| 5 | 76-2160 | 4 | Kicker Plate |
| 6 | 38-7820 | 4 | Bearing-Ball |
| 7 | 88-4510 | 2 | Diecast Alum Spindle |
| 8 | 62-3661 | 2 | Bearing Spacer |
| 9 | 321-4 | 2 | Screw-HH |
| 10 | 3296-42 | 2 | Nut-Lock Ni |
| 11 | 79-1640-03 | 1 | Baffle Wa |
| 12 | 80-4380 | 2 | Spacer |
| 13 | 80-4360 | 2 | Shield-Bearing |
| 14 | 80-4341 | 2 | Spindle Shaft |
| 15 | 79-3061 | 2 | Blade-19.32 Rec |
| 17 | 80-0510-03 | 2 | Blade Stiffener |
| 18 | 3290-465 | 2 | Washer-Belleville |
| 19 | 26-0671 | 2 | Screw-Blade |
| 20 | 3296-29 | 1 | Nut-Lock Ni |
| 21 | 3230-1 | 1 | Screw-CARR |
| 22 | 3296-39 | 3 | Nut-Lock Ni |
| 23 | 79-1600-03 | 1 | Baffle Wa |
| 24 | 323-5 | 2 | Screw-HH |
| 26 | 95-1661 | 1 | Rod - Pivot |
| 27 | 57-6950 | 1 | Spring |
| 28 | 93-7010 | 2 | Decal - Danger |

| Ref. No. | Part No. | Qty. | Description |
|----------|------------|------|------------------------------|
| 29 | 88-4430 | 1 | Recycler Cover |
| 30 | 93-7695 | 1 | ASM - 38" Deflector, Intl |
| 30:1 | 93-7010 | 1 | Decal - Danger |
| 30:3 | 93-7696 | 2 | Kicker - Ce |
| 30:4 | 93-0231 | 4 | Screw - PPH |
| 31 | 93-6677 | 1 | Decal - Shield Danger |
| 32 | 93-6674 | 2 | Decal - Warning |
| 33 | 93-7009 | 1 | Decal-Deflector Danger |
| 36 | 92-9520 | 1 | Decal-Recycler Deck 38" |
| 37 | 93-6679 | 1 | Decal - Belt Routing, 38" |
| 38 | 321-15 | 2 | Screw-HH |
| 39 | 32111-7 | 2 | Nut-Cap |
| 40 | 56-6591 | 2 | Wheel Bolt |
| 41 | 701756 | 2 | Wheel-Gage |
| 42 | 88-5740-03 | 1 | RH Whl Deck Brkt |
| 43 | 3296-39 | 2 | Nut-Lock Ni |
| 44 | 322-3 | 6 | Screw-HH |
| 45 | 3296-29 | 6 | Nut-Lock Ni |
| 46 | 93-3896-03 | 1 | Brkt,LH Deckwheel |

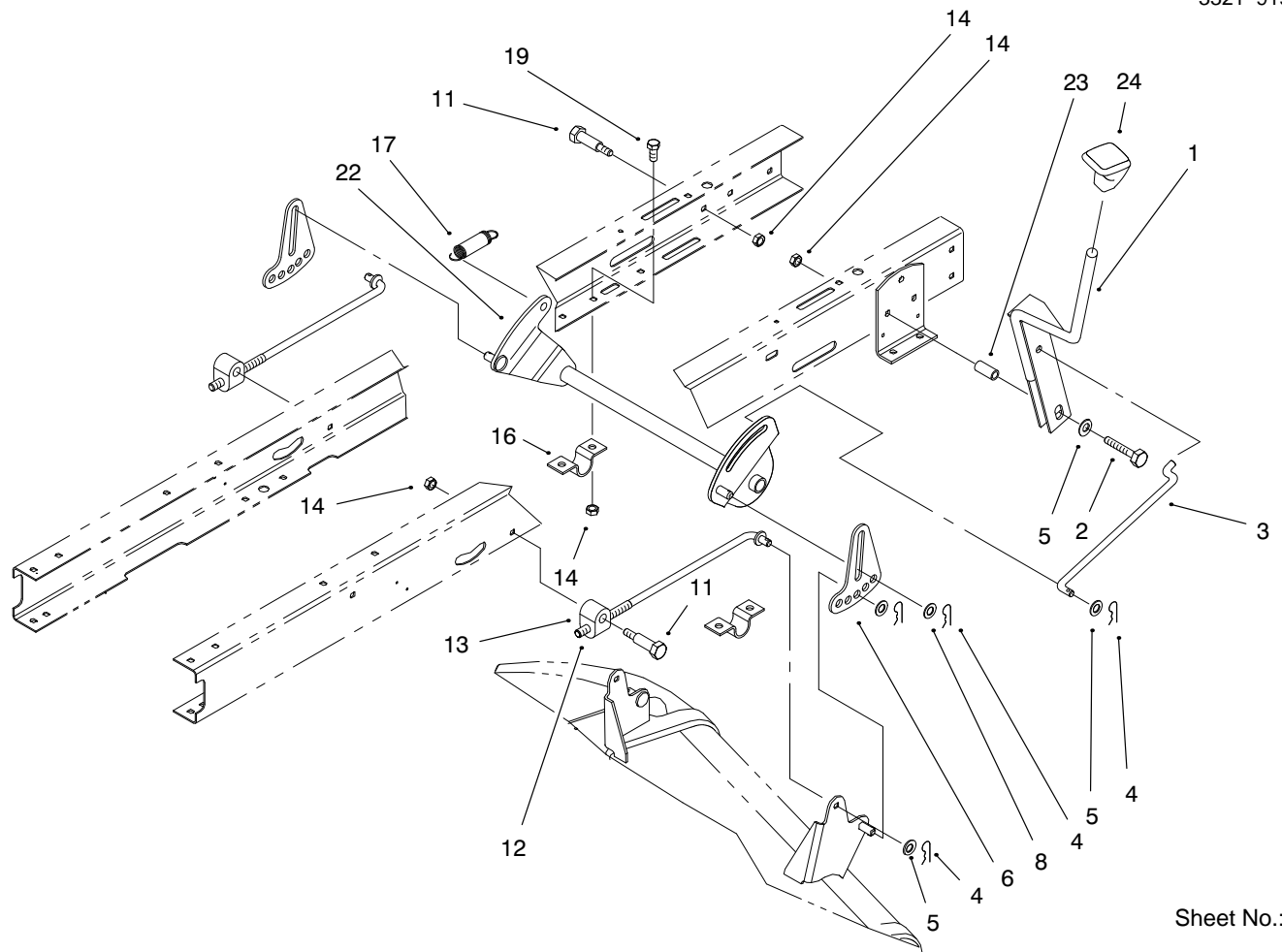


Sheet No.:17

38" Deck Blade Drive & Brake Assembly

| Ref. No. | Part No. | Qty. | Description |
|----------|----------|------|--------------------|
| 1 | 88-4590 | 2 | Bolt-Shoulder |
| 2 | 88-6100 | 2 | Brake ASM |
| 2:1 | 3290-282 | 2 | Rivet-Stl Pop |
| 2:2 | 56-9830 | 1 | Pad-Brake |
| 3 | 88-5550 | 1 | LH Deck Brake Rod |
| 4 | 3296-42 | 2 | Nut-Lock Ni |
| 5 | 88-5910 | 2 | Torsion Spring |
| 6 | 88-6130 | 1 | Deck Engage Spring |
| 8 | 92-8934 | 1 | Spring - Extension |
| 10 | 88-5970 | 1 | Hook Return Spring |
| 14 | 3296-58 | 3 | Nut-Lock Ni |
| 18 | 88-6250 | 1 | V - Belt |
| 19 | 3256-68 | 1 | Washer-Flat |
| 20 | 322-5 | 2 | Screw-HH |
| 21 | 88-5330 | 2 | Pulley Deck 38" |
| 22 | 3219-6 | 2 | Nut-Hex |
| 23 | 88-4980 | 1 | Bushing Idler Arm |
| 24 | 3296-39 | 1 | Nut-Lock Ni |
| 25 | 3296-29 | 2 | Nut-Lock Ni |
| 26 | 88-5540 | 1 | RH Deck Brake Rod |
| 27 | 323-12 | 1 | Screw-HH |
| 28 | 3256-24 | 2 | Washer-Flat |
| 29 | 88-5070 | 1 | Idler Belt Guide |
| 30 | 88-5630 | 1 | Flat Idler Pulley |
| 31 | 7-0030 | 1 | Bolt-Shoulder |

| Ref. No. | Part No. | Qty. | Description |
|----------|------------|------|------------------|
| 32 | 88-4870-03 | 1 | Arm Idler Deck |
| 33 | 67-0710 | 2 | Ball-Swivel Stop |

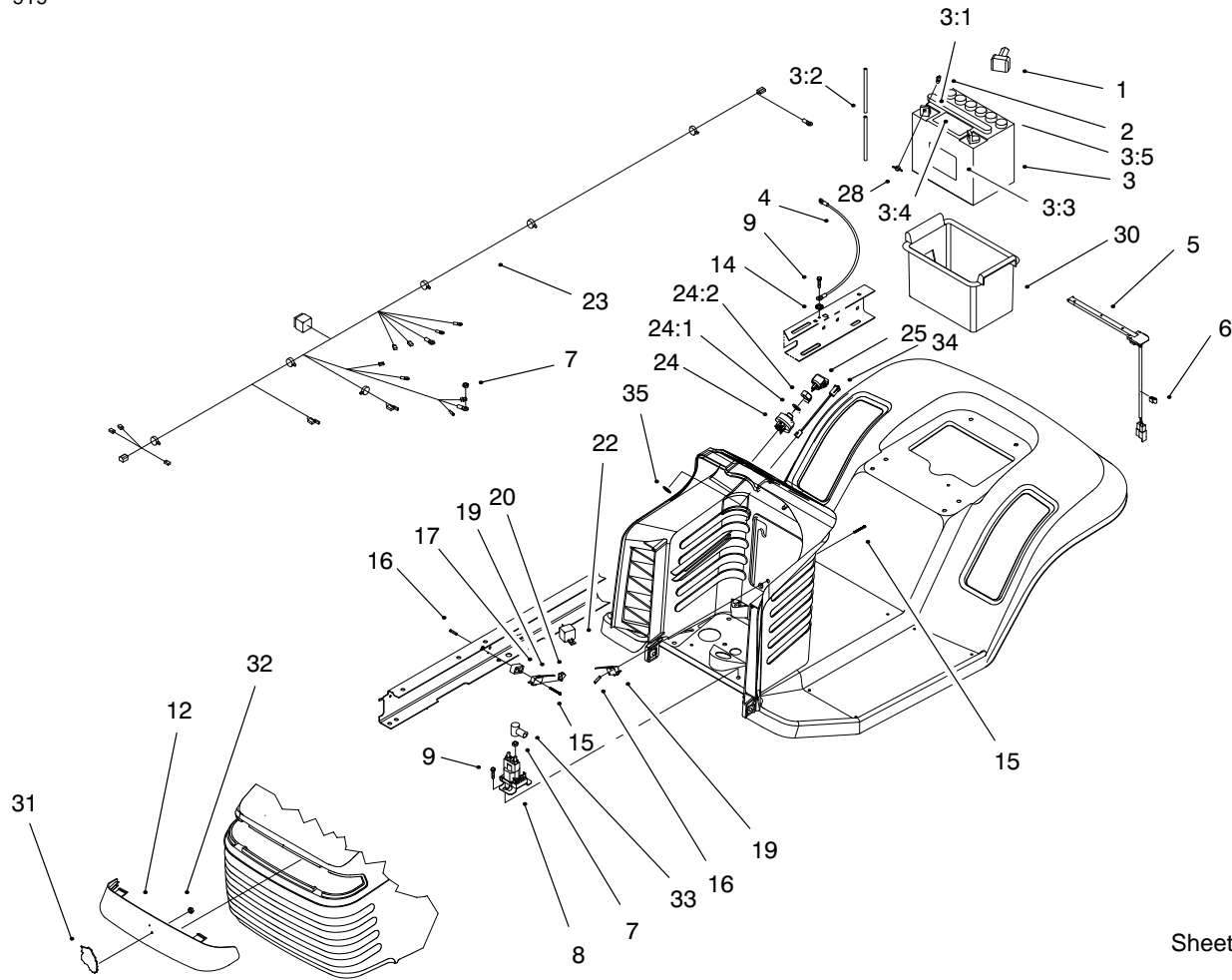


Sheet No.:19

Height Of Cut Assembly

| Ref. No. | Part No. | Qty. | Description |
|----------|------------|------|--------------------|
| 1 | 93-3822-03 | 1 | Lever Wa |
| 2 | 322-39 | 1 | Screw-HH |
| 3 | 88-5900 | 1 | Link-HOC |
| 4 | 3290-307 | 7 | Cotter-Hairpin |
| 5 | 3256-24 | 4 | Washer-Flat |
| 6 | 88-5570-03 | 2 | Link-HOC Adjusting |
| 8 | 80-6990 | 4 | Washer - Hardened |
| 11 | 7-0030 | 3 | Bolt-Shoulder |
| 12 | 88-5450 | 2 | Rod-Hanger Rear |
| 13 | 88-4230 | 2 | Trunnion-HOC |
| 14 | 3296-29 | 8 | Nut-Lock Ni |
| 16 | 88-4730 | 2 | Clamp-HOC Pivot |
| 17 | 88-6460 | 1 | Spring - Extension |
| 19 | 322-3 | 4 | Screw-HH |
| 22 | 88-5110-03 | 1 | Pivot Wa |
| 23 | 65-7210 | 1 | Spacer |
| 24 | 94-5565 | 1 | Knob - Shift |

| Ref. No. | Part No. | Qty. | Description |
|----------|----------|------|-------------|
| | | | |
| | | | |
| | | | |
| | | | |
| | | | |
| | | | |
| | | | |
| | | | |
| | | | |
| | | | |

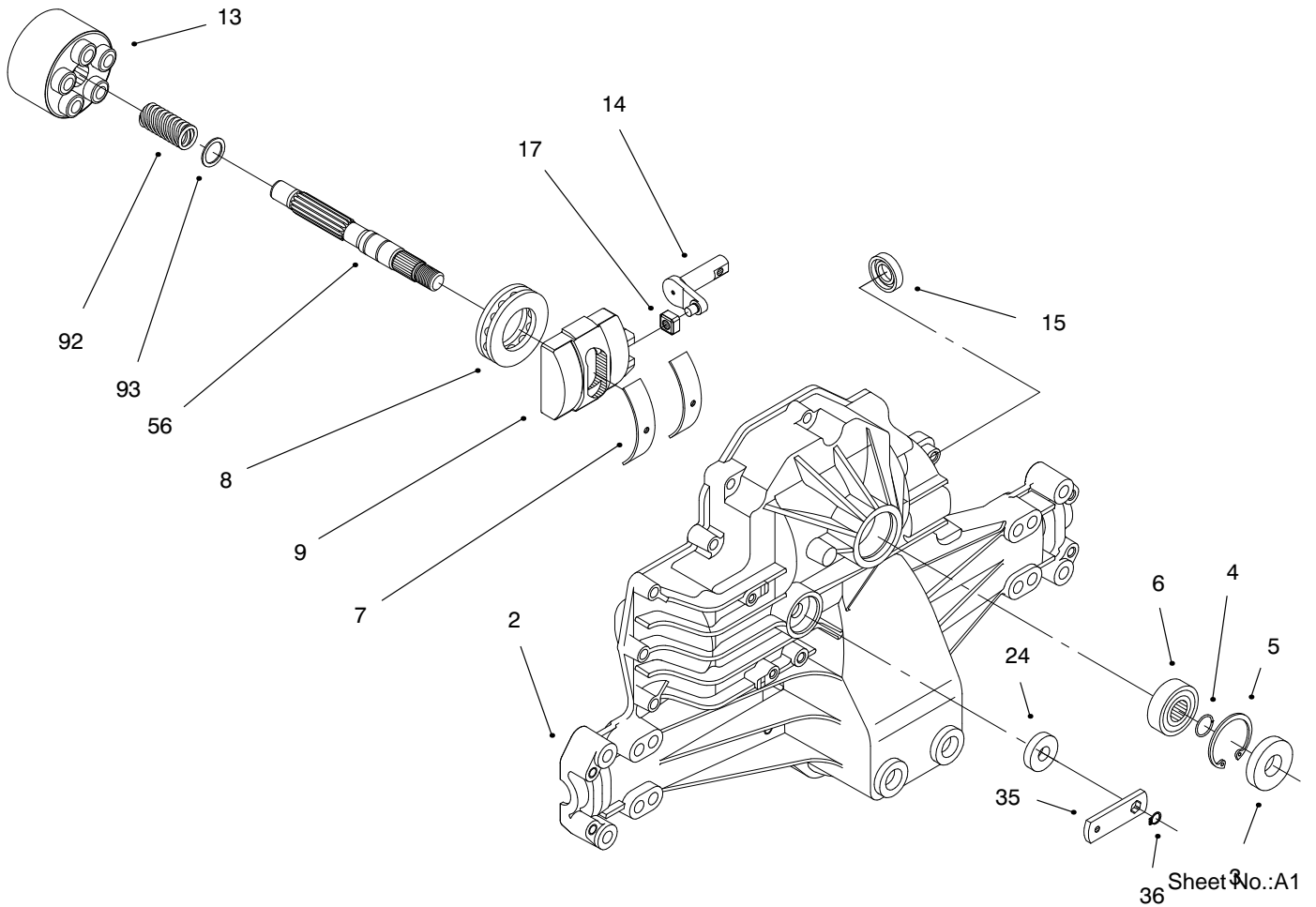


Sheet No.:20

Electrical Assembly

| Ref. No. | Part No. | Qty. | Description |
|----------|----------|------|----------------------|
| 1 | 28-8080 | 1 | Boot-Terminal |
| 2 | 321-4 | 2 | Screw-HH |
| 3 | 80-2600 | 1 | Battery |
| 3:1 | 218-560 | 6 | Cap-Battery |
| 3:2 | 56-2540 | 1 | Tube-Batt |
| | | | Drain/80-2600 |
| 3:3 | 93-6668 | 1 | Decal - Battery |
| 3:4 | 93-7276 | 1 | Decal - Danger |
| 3:5 | 93-9354 | 1 | Decal - Danger |
| 4 | 44-8110 | 1 | Wire ASM |
| 5 | 38-1420 | 1 | Switch-Seat |
| 6 | 702366 | 1 | Clip-Wire Retainer |
| 7 | 32149-2 | 3 | Nut-Keps |
| 8 | 92-9845 | 1 | Solenoid |
| 9 | 9266714 | 3 | Screw-HWH |
| 10 | 32144-32 | 2 | Screw |
| 11 | 88-3970 | 1 | Reflector & Lamp ASM |
| 12 | 88-3960 | 1 | Lens-Headlight |
| 14 | 3255-7 | 2 | Washer-Lock/Ext |
| 15 | 93-0539 | 4 | Screw-HH |
| 16 | 3290-354 | 2 | Nut-Speed |
| 17 | 88-4880 | 1 | Spacer |
| 18 | 99-1935 | 1 | Harness-Headlight |
| 19 | 88-9932 | 2 | Switch-Micro |
| 20 | 93-3240 | 1 | Plunger-Seal |
| 22 | 98-7249 | 1 | Relay-Spdt |

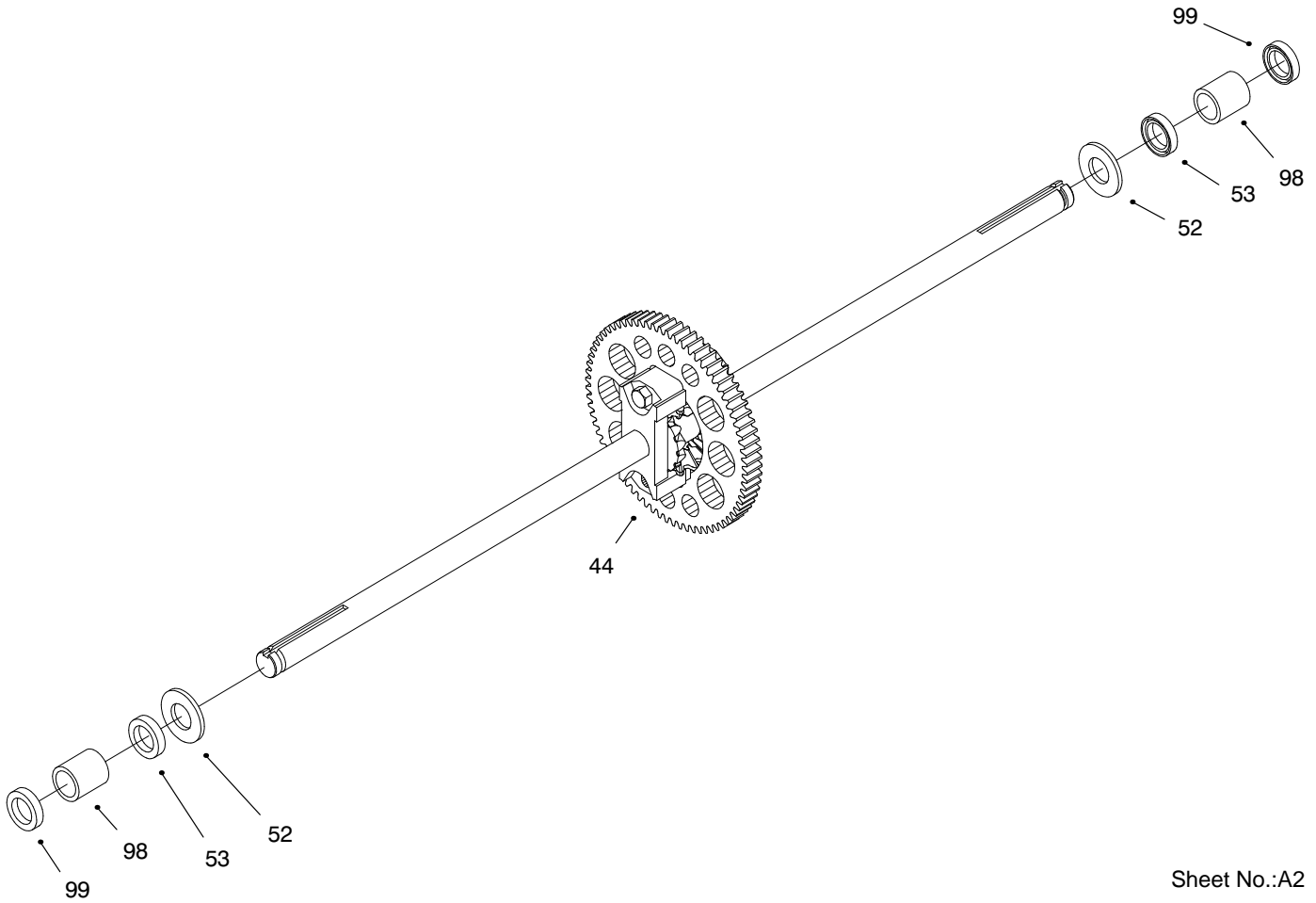
| Ref. No. | Part No. | Qty. | Description |
|----------|----------|------|-----------------------|
| 23 | 99-2977 | 1 | Wire Harness |
| 24 | 88-9830 | 1 | Switch-Ignition |
| 24:1 | 3254-4 | 1 | Washer-Lock/Int |
| 24:2 | 218-461 | 1 | Nut-F/W |
| 25 | 63-8360 | 1 | Key-Ignition w/Shield |
| 26 | 92-8875 | 1 | Switch - Rocker |
| 28 | 32103-22 | 2 | Nut-Wing |
| 30 | 88-4040 | 1 | Box-Battery |
| 31 | 80-2240 | 1 | Emblem-Grille |
| | | | Whlhorse |
| 32 | 3290-299 | 1 | Clip |
| 33 | 94-5362 | 1 | Boot - Terminal |
| | | | Insulator |
| 34 | 95-7652 | 1 | Light - Indicator |
| 35 | 99-6059 | 1 | Clip-Retainer |



Hydro Transaxle Assembly

| Ref. No. | Part No. | Qty. | Description |
|----------|----------|------|---------------------|
| 2 | 94-1948 | 1 | Upper Housing ASM |
| 3 | 92-6543 | 1 | Seal-Lip |
| 4 | 94-1902 | 1 | Ring-Wire Retaining |
| 5 | 94-1903 | 1 | Ring-Retaining |
| 6 | 94-1904 | 1 | Bearing-Shaft Ball |
| 7 | 94-1905 | 2 | Bearing-Cradle |
| 8 | 94-6922 | 1 | Bearing-Thrust |
| 9 | 94-1907 | 1 | Swashplate-Variable |
| 13 | 94-1908 | 1 | Block-Cylinder ASM |
| 14 | 94-1909 | 1 | Arm-Trunion |
| 15 | 92-6544 | 1 | Seal-Lip |
| 17 | 94-1910 | 1 | Guide-Slot |
| 24 | 92-6545 | 1 | Seal-Lip |
| 35 | 92-6547 | 1 | Arm-Bypass |
| 36 | 936109 | 1 | Ring-Retaining |
| 56 | 94-1925 | 1 | Shaft-Input |
| 92 | 94-1936 | 1 | Spring |
| 93 | 94-1937 | 1 | Washer |

| Ref. No. | Part No. | Qty. | Description |
|----------|----------|------|-------------|
| | | | |
| | | | |
| | | | |
| | | | |
| | | | |
| | | | |
| | | | |
| | | | |
| | | | |
| | | | |

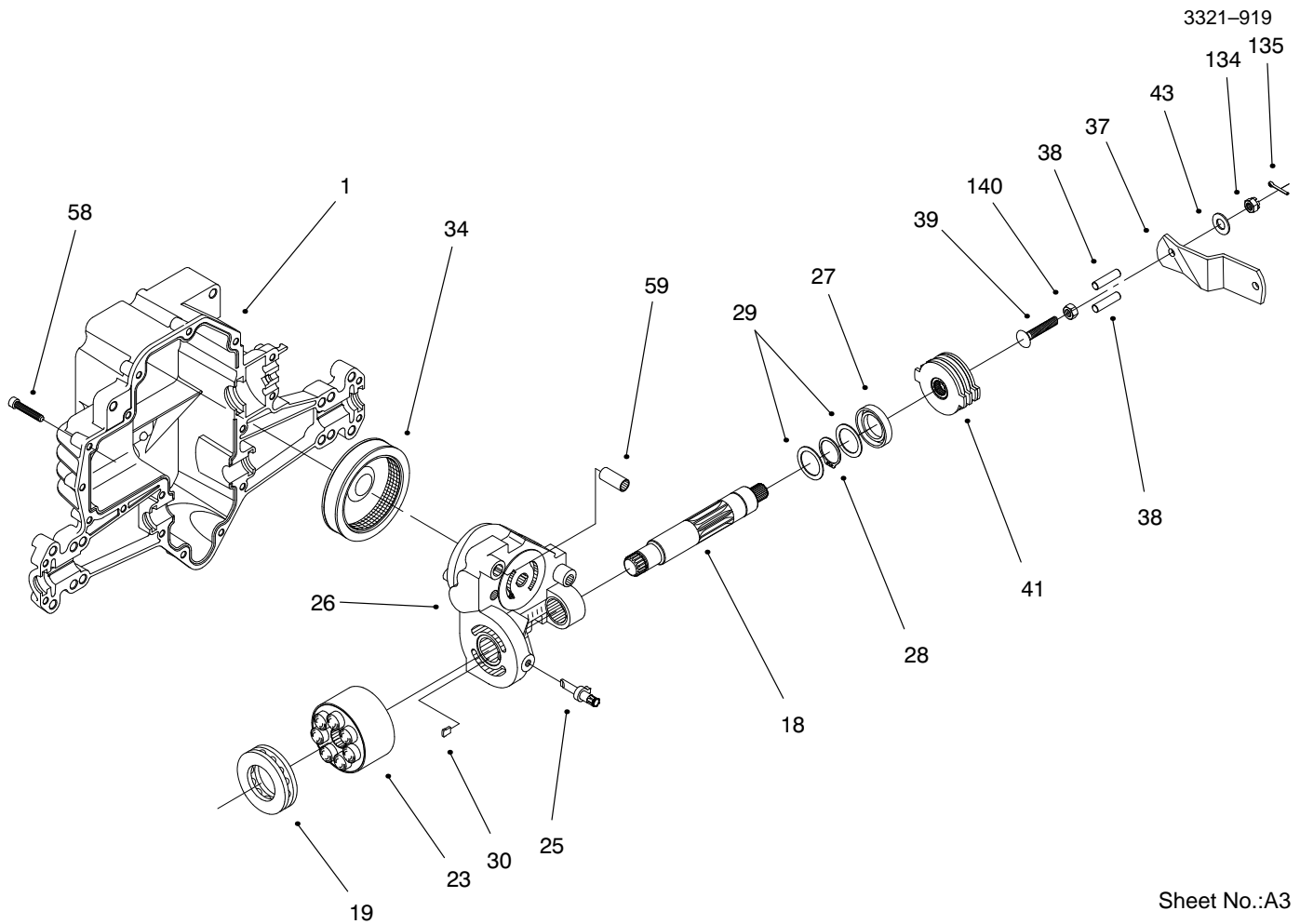


Sheet No.:A2

Hydro Transaxle Assembly (Cont.)

| Ref. No. | Part No. | Qty. | Description |
|----------|----------|------|------------------|
| 44 | 94-1942 | 1 | Differential ASM |
| 52 | 94-1943 | 2 | Washer |
| 53 | 94-1924 | 2 | Seal |
| 98 | 94-1944 | 2 | Sleeve-Bearing |
| 99 | 94-1935 | 2 | Seal-Wiper |

| Ref. No. | Part No. | Qty. | Description |
|----------|----------|------|-------------|
| | | | |
| | | | |
| | | | |
| | | | |

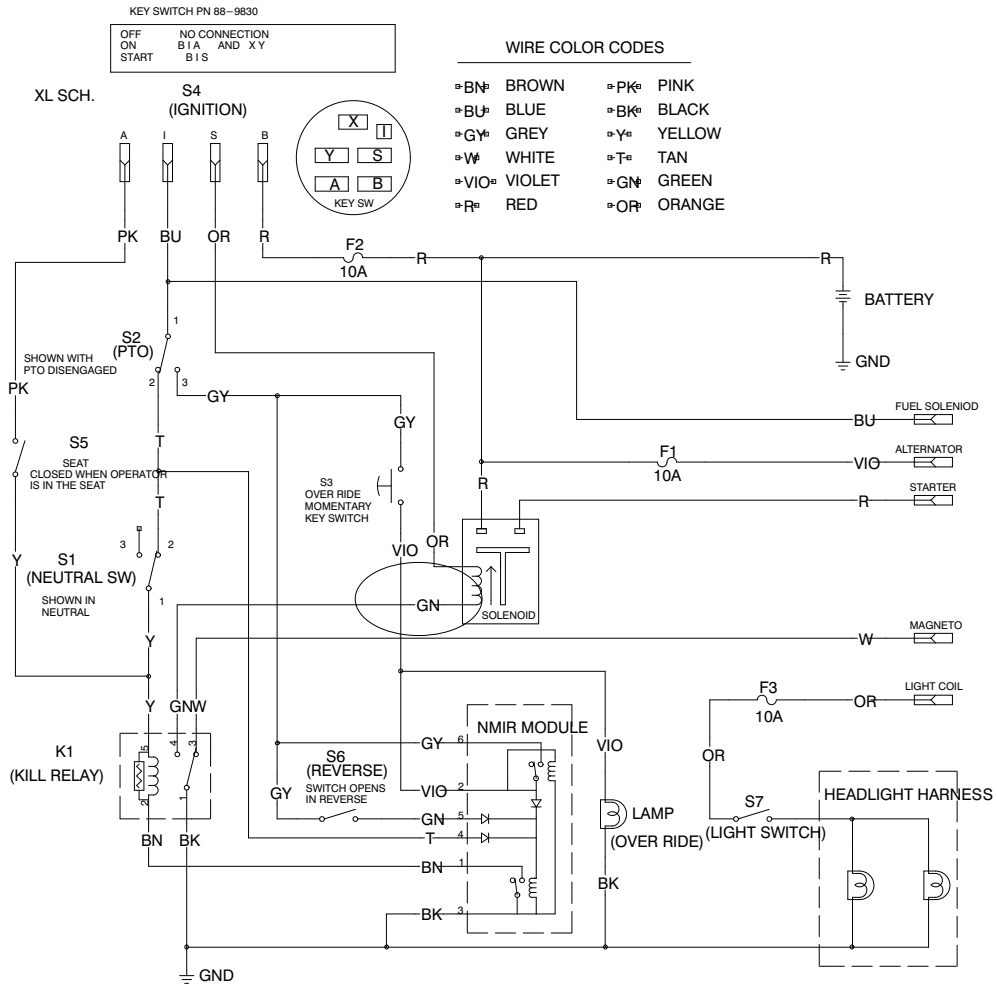


Sheet No.:A3

Hydro Transaxle Assembly (Cont.)

| Ref. No. | Part No. | Qty. | Description |
|----------|----------|------|------------------------|
| 1 | 94-1946 | 1 | Housing |
| 18 | 94-1947 | 1 | Shaft-Motor |
| 19 | 94-6923 | 1 | Bearing-Thrust |
| 23 | 94-1913 | 1 | Block-Cyl (Motor) |
| 25 | 94-1914 | 1 | Actuator-Bypass |
| 26 | 94-6924 | 1 | Centersection ASM |
| 27 | 94-1916 | 1 | Seal-Lip |
| 28 | 94-1917 | 1 | Ring-Retaining |
| 29 | 94-1918 | 2 | Washer |
| 30 | 94-6925 | 1 | Bypass Plate |
| 34 | 94-1920 | 1 | Oil Filter Element |
| 37 | 93-3861 | 1 | Lever - Brake |
| 38 | 92-6549 | 2 | Pin-Actuating |
| 39 | 94-1923 | 1 | Bolt |
| 41 | 94-1919 | 1 | Brake Rotor/Stator Kit |
| 43 | 5-4460 | 1 | Washer-Fender |
| 58 | 94-1926 | 21 | Bolt |
| 59 | 94-1927 | 2 | Pin |
| 134 | 93-3807 | 1 | Nut-Castle |
| 135 | 3272-7 | 1 | Pin-Cotter |
| 140 | 3296-20 | 1 | Nut-lock Ni |

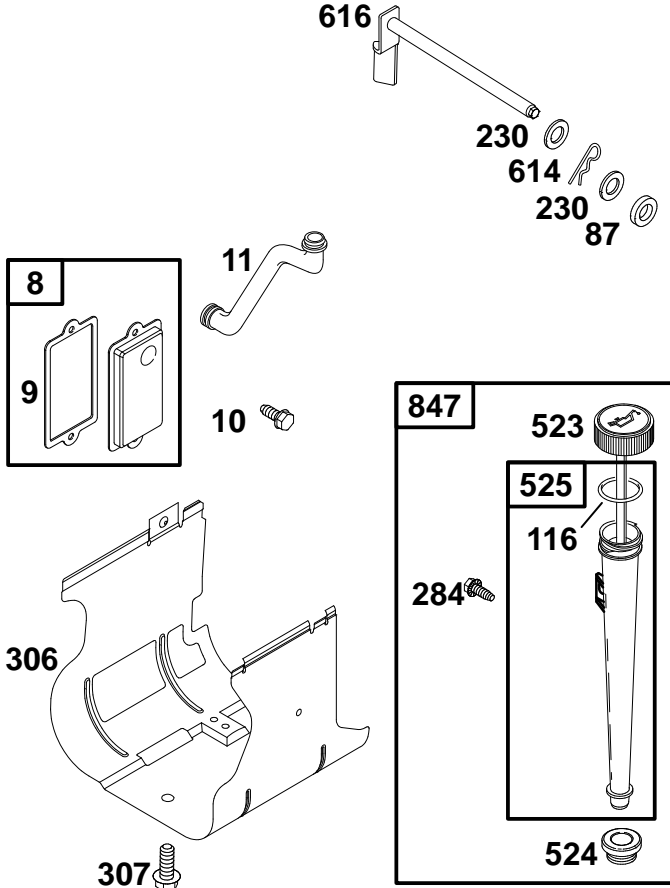
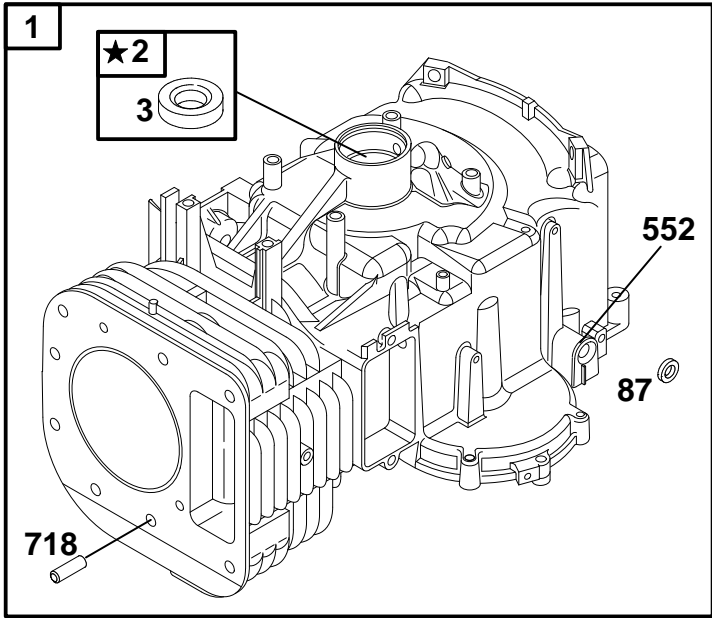
| Ref. No. | Part No. | Qty. | Description |
|----------|----------|------|-------------|
| | | | |



Sheet No.:21

Wiring Schematic

| Ref. No. | Part No. | Qty. | Description |
|----------|----------|------|-------------|
| | 218-578 | 3 | Fuse-10a |
| | | | |
| | | | |
| | | | |
| | | | |
| | | | |
| | | | |
| | | | |



1058 OWNER'S MANUAL

★ **REQUIRES SPECIAL TOOLS TO INSTALL. SEE REPAIR INSTRUCTION MANUAL.**

Assemblies include all parts shown in frames.

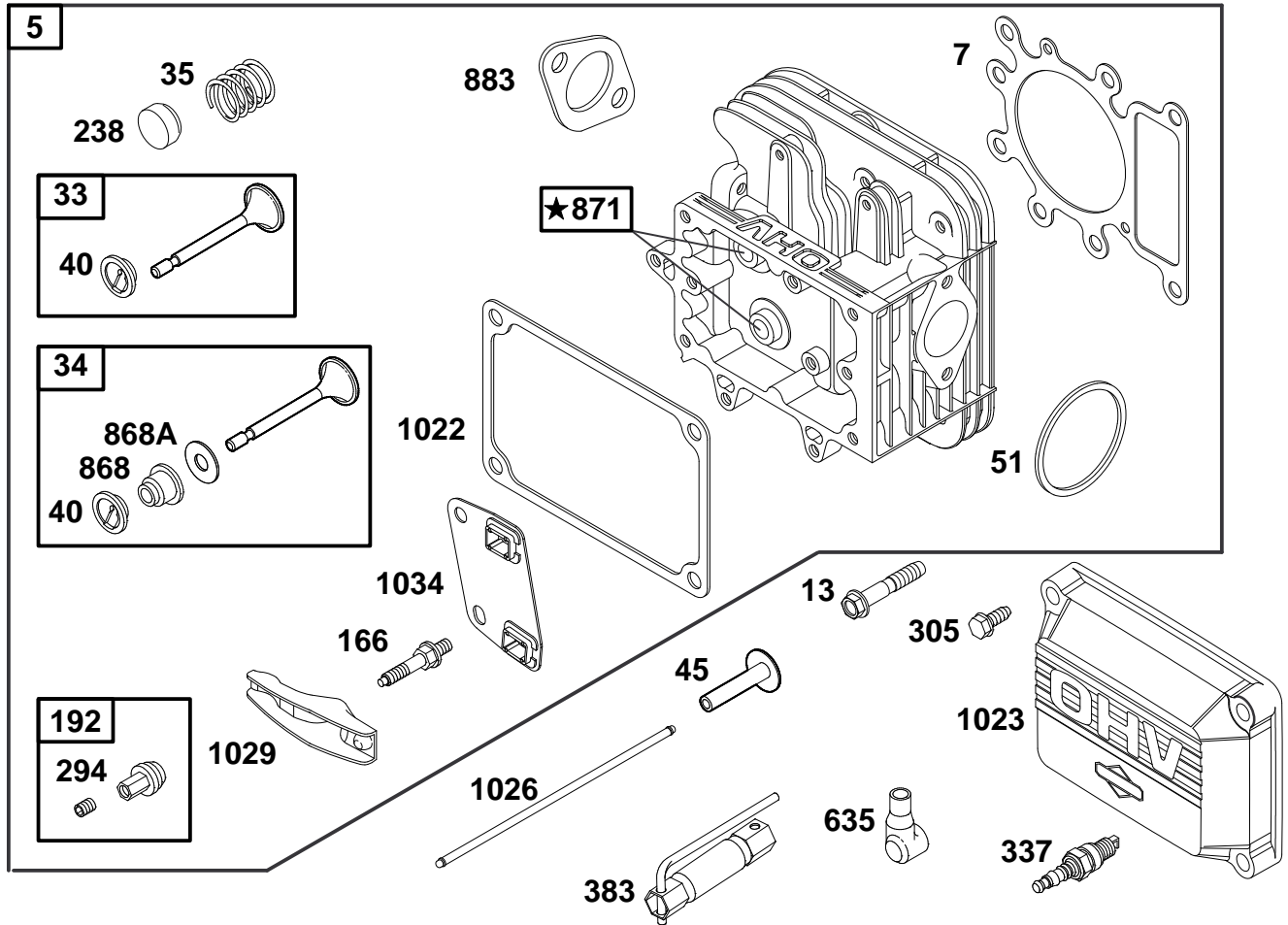
ENGINE BRIGGS & STRATTON MODEL 28Q777-0690-E1

| Ref. No. | Part No. | Description | No. Used |
|----------|----------|-----------------------|----------|
| 1 | 496412 | Cylinder Assembly | 1 |
| 2 | 399265 | Bearing-Cylinder | 1 |
| ★3 | 391086 | Seal-Oil | 1 |
| 8 | 495735 | Breather Assembly | 1 |
| ★9 | 27803 | Gasket-Valve Cover | 1 |
| 10 | 94621 | Screw-Sem | 1 |
| 11 | 281246 | Tube-Breather | 1 |
| ★87 | 491323 | Seal-Governor | 1 |
| ★116 | 270920 | Seal-Oil Fill Cap | 1 |
| 230 | 94927 | Washer-Governor Lever | 1 |
| 284 | 94903 | Screw-Hex. Head | 1 |
| 306 | 225020 | Shield-Cylinder | 1 |

| Ref. No. | Part No. | Description | No. Used |
|----------|----------|---|----------|
| 307 | 94930 | Screw-Self Tap | 1 |
| 523 | 495230 | Cap-Oil Fill | 1 |
| ★524 | 281370 | Seal-Fill Tube | 1 |
| 525 | 496113 | Tube-Oil Fill | 1 |
| 552 | 491986 | Bushing-Gov. Crank Note: Includes Seal, Ref. No. 87 | 1 |
| 614 | 93306 | Pin-Cotter | 1 |
| 616 | 495157 | Crank-Governor | 1 |
| 718 | 230192 | Pin-Dowel | 1 |
| 847 | 496415 | Fill Group-Oil | 1 |
| 1058 | 273683 | Owner's Manual | 1 |

★ Included in Gasket Set-Part No. 495993.
 Δ Included in Valve Overhaul Kit-Part No. 495992.

● Included in Carburetor Kit-Part No. 499233.
 ◆ Included in Carburetor Gasket Set-Part No. 690192.



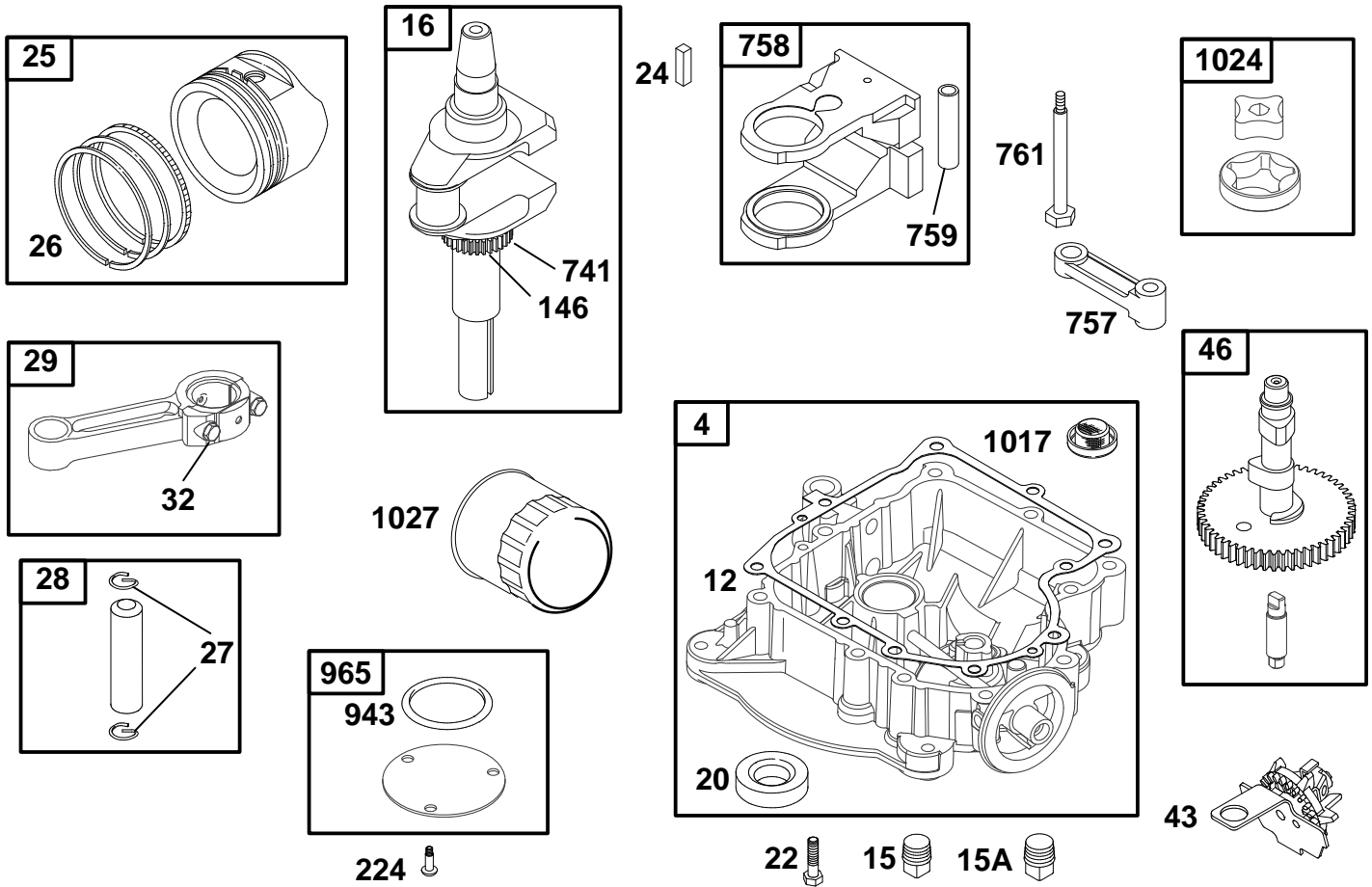
ENGINE BRIGGS & STRATTON MODEL 28Q777-0690-E1

| Ref. No. | Part No. | Description | No. Used |
|----------|----------|----------------------|----------|
| 5 | 691165 | Head-Cylinder | 1 |
| Δ★7 | 273280 | Gasket-Cylinder Head | 1 |
| 13 | 94728 | Screw-Cylinder Head | 1 |
| 33 | 495856 | Valve-Exhaust | 1 |
| 34 | 495857 | Valve-Intake | 1 |
| 35 | 262811 | Spring-Valve | 1 |
| 40 | 224641 | Retainer-Valve | 1 |
| 45 | 690564 | Tappet-Valve | 1 |
| 51 | 692138 | Gasket-Intake | 1 |
| 166 | 94555 | Stud-Rocker Arm | 1 |
| 192 | 492160 | Adjuster-Valve | 1 |
| 238 | 262836 | Cap-Valve | 1 |
| 294 | 810104 | Screw-Set | 1 |
| 305 | 94682 | Screw-Hex. Head | 1 |
| 337 | 491055 | Plug-Spark | 1 |

| Ref. No. | Part No. | Description | No. Used |
|----------|----------|--|----------|
| 383 | 89838 | Wrench-Spark Plug | 1 |
| 635 | 280872 | Elbow-Spark Plug | 1 |
| Δ★868 | 499236 | Seal-Valve | 1 |
| 868A | 272610 | Seal-Valve | 1 |
| 871 | 262835 | Bushing-Guide (Intake and Exhaust) | 1 |
| Δ★883 | 272293 | Gasket-Exhaust | 1 |
| Δ★1022 | 272475 | Gasket-Rocker Cover | 1 |
| 1023 | 214314 | Cover-Rocker | 1 |
| 1026 | 494432 | Rod-Push (Intake) Note: 495136 Rod-Push (Exhaust) | 1 |
| 1029 | 224554 | Arm-Rocker | 1 |
| 1034 | 495248 | Guide-Push Rod | 1 |

★ Included in Gasket Set-Part No. 495993.
 Δ Included in Valve Overhaul Kit-Part No. 495992.

● Included in Carburetor Kit-Part No. 499233.
 ◆ Included in Carburetor Gasket Set-Part No. 690192.



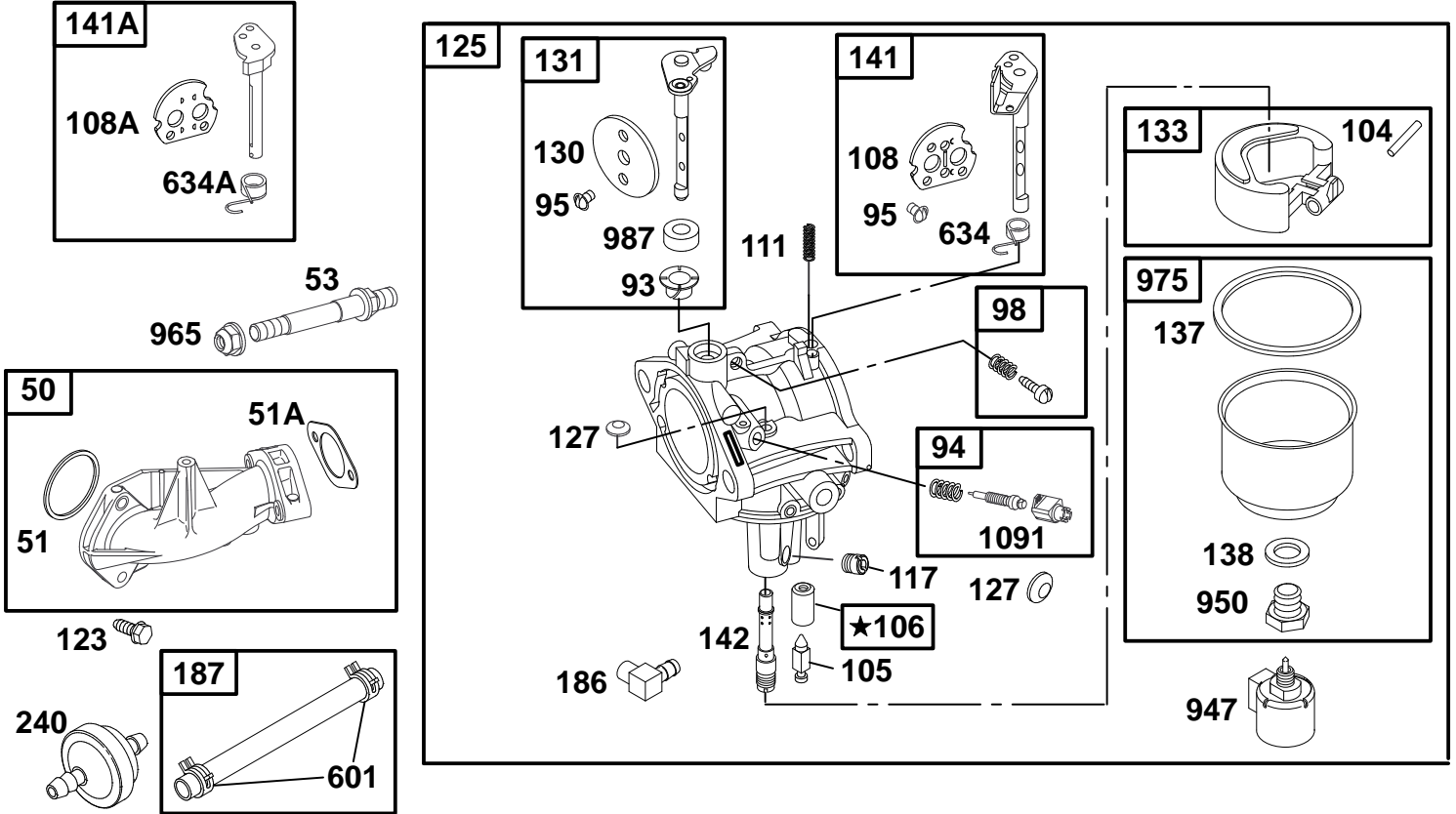
ENGINE BRIGGS & STRATTON MODEL 28Q777-0690-E1

| Ref. No. | Part No. | Description | No. Used |
|----------|----------|--------------------------------------|----------|
| 4 | 693582 | Base-Engine | 1 |
| ★12 | 271916 | Gasket-Crankcase (.015" Thick, Std.) | 1 |
| ★ | 271997 | Gasket-Crankcase (.005" Thick) | 1 |
| ★ | 271996 | Gasket-Crankcase (.009" Thick) | 1 |
| 15 | 94239 | Plug-Oil Drain | 1 |
| 15A | 91488 | Plug-Oil Pressure Switch | 1 |
| 16 | 690136 | Crankshaft | 1 |
| ★20 | 291675 | Seal-Oil | 1 |
| 22 | 692125 | Screw-Sem | 1 |
| 24 | 222698 | Key-Flywheel | 1 |
| 25 | 499284 | Piston Assembly (Standard) | 1 |
| | 499288 | Piston Assy. (.010" O.S.) | 1 |
| | 499292 | Piston Assy. (.020" O.S.) | 1 |
| | 499296 | Piston Assy. (.030" O.S.) | 1 |
| 26 | 495854 | Ring Set (Standard) | 1 |
| | 495852 | Ring Set (.010" O.S.) | 1 |
| | 495851 | Ring Set (.020" O.S.) | 1 |

| Ref. No. | Part No. | Description | No. Used |
|----------|----------|---------------------------|----------|
| | 495855 | Ring Set (.030" O.S.) | 1 |
| 27 | 263129 | Lock-Piston Pin | 1 |
| 28 | 498319 | Pin-Piston (Standard) | 1 |
| | 498320 | Pin-Piston (.005" O.S.) | 1 |
| 29 | 692419 | Rod-Connecting (Standard) | 1 |
| 32 | 692852 | Screw-Conn. Rod | 1 |
| 43 | 490815 | Governor/Oil Slinger | 1 |
| 46 | 693450 | Camshaft | 1 |
| 146 | 94196 | Key-Timing Gear | 1 |
| 224 | 691033 | Screw-Torx® Hex. | 1 |
| 741 | 262932 | Gear-Timing | 1 |
| 757 | 213998 | Link-Counterweight | 1 |
| 758 | 499994 | Counterweight Assy. | 1 |
| 759 | 230787 | Pin-Counterweight | 1 |
| 761 | 94593 | Screw-Counterweight | 1 |
| 943 | 280801 | Seal-O-Ring | 1 |
| 965 | 499613 | Cover-Pump | 1 |
| 1017 | 491722 | Screen-Oil Pump | 1 |
| 1024 | 499054 | Pump-Oil | 1 |
| 1027 | 492932 | Filter-Oil | 1 |

★ Included in Gasket Set-Part No. 495993.
 ▲ Included in Valve Overhaul Kit-Part No. 495992.

● Included in Carburetor Kit-Part No. 499233.
 ◆ Included in Carburetor Gasket Set-Part No. 690192.



★ REQUIRES SPECIAL TOOLS TO INSTALL. SEE REPAIR INSTRUCTION MANUAL. Assemblies include all parts shown in frames.

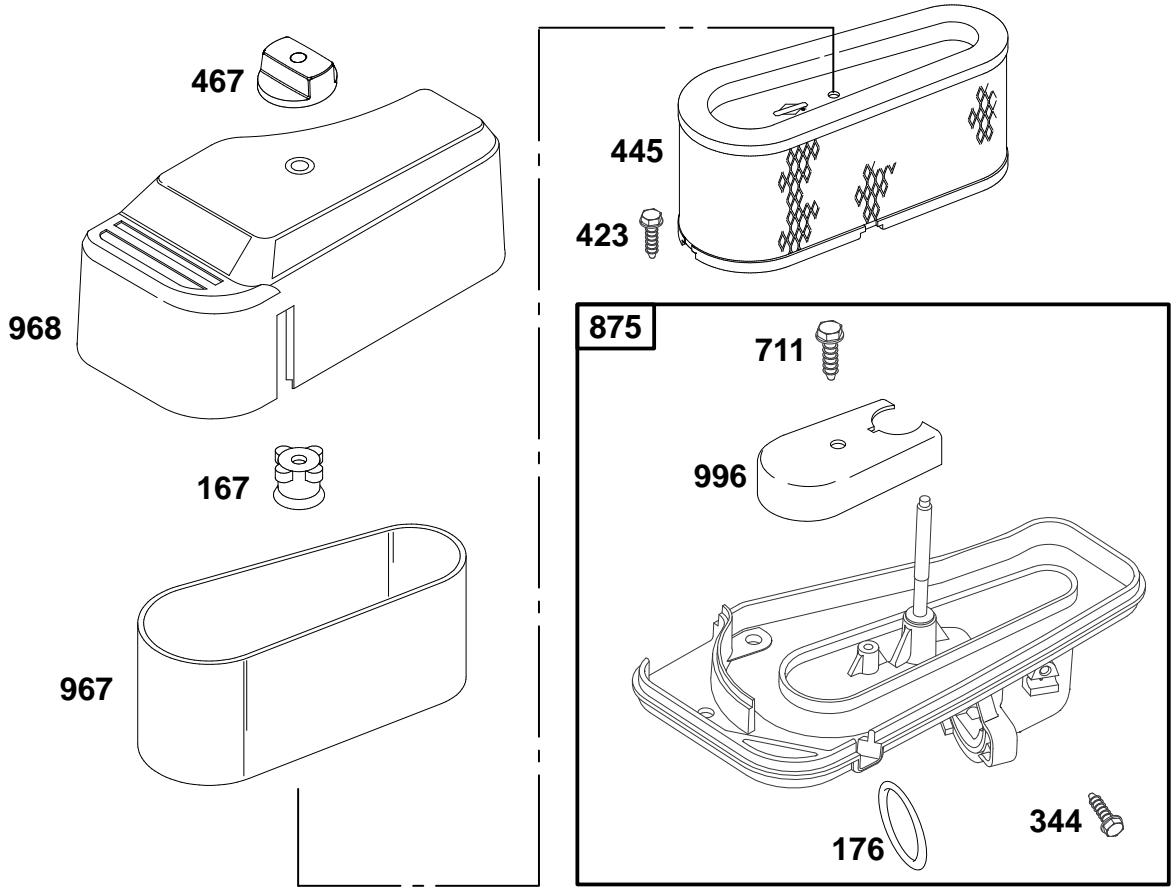
ENGINE BRIGGS & STRATTON MODEL 28Q777-0690-E1

| Ref. No. | Part No. | Description | No. Used |
|----------|----------|----------------------------------|----------|
| 50 | 690193 | Manifold-Intake | 1 |
| 51 | 692138 | Gasket-Carburetor Manifold | 1 |
| ●51A | 273650 | Gasket-Carburetor | 1 |
| 53 | 690227 | Stud-Carb. Mtg. | 1 |
| ●93 | 281346 | Bushing-Throttle Shaft | 1 |
| 94 | 498030 | Valve-Idle Adjust | 1 |
| ●95 | 94098 | Screw-Round Head | 1 |
| 98 | 495800 | Screw-Idle Adjust | 1 |
| ●104 | 231789 | Pin-Float Hinge | 1 |
| ●105 | 231855 | Valve-Inlet Needle | 1 |
| ●106 | 231854 | Seat-Inlet | 1 |
| 108 | 224558 | Valve-Choke (Manual) | 1 |
| 108A | 224540 | Valve-Choke (Remote) | 1 |
| 111 | 262715 | Spring-Friction | 1 |
| ●117 | 232118 | Jet-Main (Standard) | 1 |
| | 232119 | Jet-Main (High Altitude) | 1 |
| 123 | 95160 | Screw-Elbow Mtg. | 1 |
| 125 | 499153 | Carburetor | 1 |
| ●127 | | Plug-Welch (Sold in Kit Only) | 1 |
| 130 | 224539 | Valve-Throttle | 1 |

| Ref. No. | Part No. | Description | No. Used |
|----------|----------|------------------------------|----------|
| 131 | 494379 | Shaft-Throttle | 1 |
| 133 | 494381 | Float-Carburetor | 1 |
| ●◆137 | 281165 | Gasket-Float Bowl | 1 |
| ●◆138 | 281164 | Washer-Float Bowl | 1 |
| 141 | 495097 | Shaft-Choke (Manual) | 1 |
| 141A | 495931 | Shaft-Choke (Remote) | 1 |
| ●142 | 232117 | Nozzle-Carburetor | 1 |
| 186 | 493496 | Elbow-Fuel Pipe | 1 |
| 187 | 298049 | Line-Fuel (Cut to Length) | 1 |
| 240 | 394358 | Filter-Fuel | 1 |
| 601 | 93053 | Clamp-Hose | 1 |
| ●634 | 494453 | Seal-Spring Assembly | 1 |
| ●634A | 494455 | Seal-Spring Assembly | 1 |
| 947 | 497672 | Solenoid | 1 |
| 950 | 94642 | Screw-Fuel Bowl | 1 |
| 965 | 94010 | Nut-Hex. | 1 |
| 975 | 495933 | Bowl-Float | 1 |
| ●987 | 281166 | Seal-Throttle Shaft | 1 |
| 1091 | 281364 | Cap-Limiter | 1 |

★ Included in Gasket Set-Part No. 495993.
 Δ Included in Valve Overhaul Kit-Part No. 495992.

● Included in Carburetor Kit-Part No. 499116.
 ◆ Included in Carburetor Gasket Set-Part No. 690192.



Assemblies include all parts shown in frames.

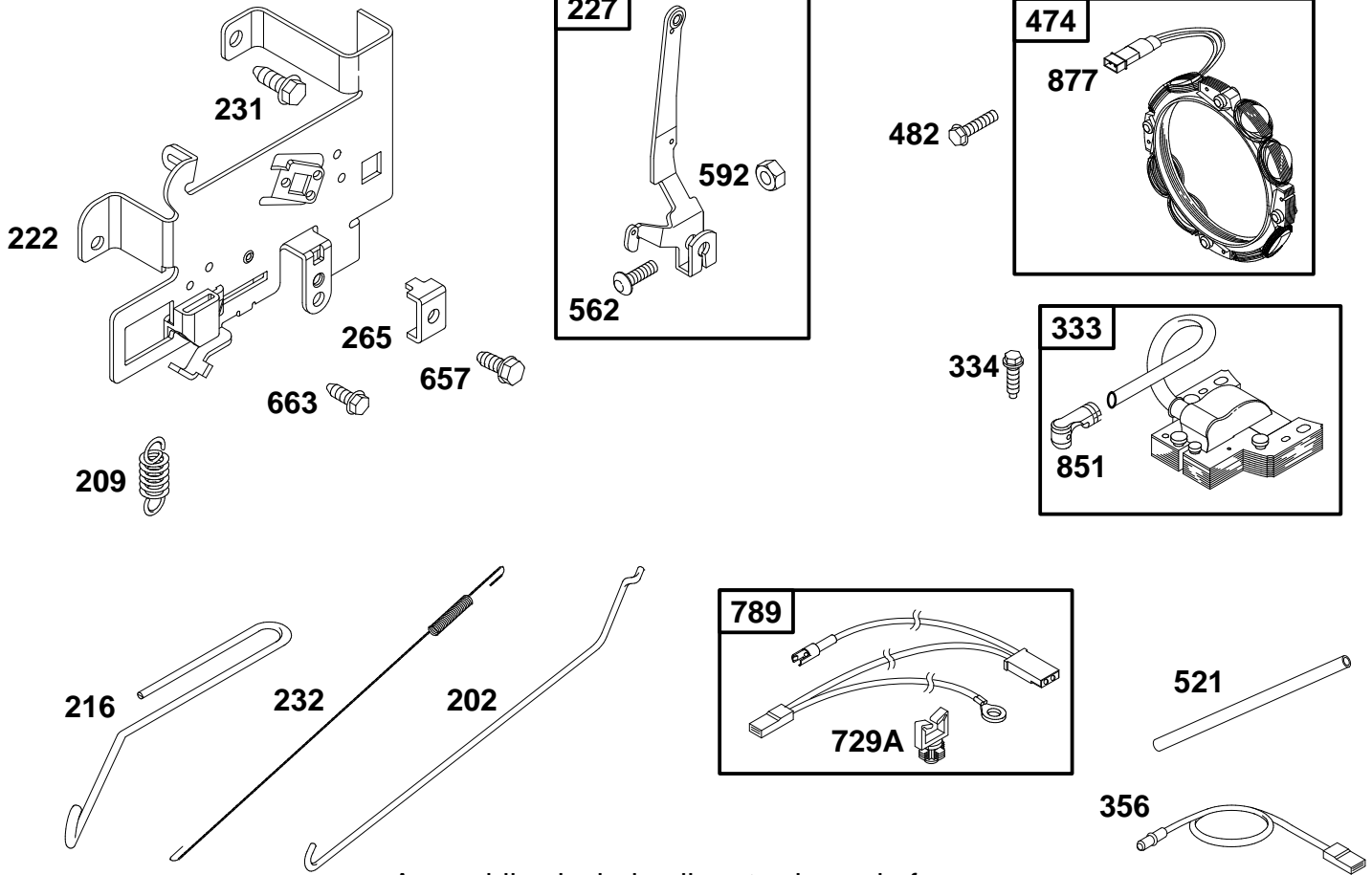
ENGINE BRIGGS & STRATTON MODEL 28Q777-0690-E1

| Ref. No. | Part No. | Description | No. Used |
|----------|----------|-----------------------|----------|
| 167 | 281051 | Seal-Air Cleaner Stud | 1 |
| ★176 | 281106 | Gasket-Air Cleaner | 1 |
| 344 | 693675 | Screw-Torx®Hex. | 1 |
| 423 | 692129 | Screw-Torx®Hex. | 1 |
| 445 | 496894 | Filter-Air | 1 |
| 467 | 493903 | Knob-Air Cleaner | 1 |

| Ref. No. | Part No. | Description | No. Used |
|----------|----------|-------------------|----------|
| 711 | 94704 | Screw-Hex. Hd. | 1 |
| 875 | 693686 | Body-Air Cleaner | 1 |
| 967 | 272403 | Filter-Air | 1 |
| 968 | 281365 | Cover-Air Cleaner | 1 |
| 996 | 690678 | Shield-Carburetor | 1 |

★ Included in Gasket Set-Part No. 495993.
 Δ Included in Valve Overhaul Kit-Part No. 495992.

● Included in Carburetor Kit-Part No. 499233.
 ◆ Included in Carburetor Gasket Set-Part No. 690192.



Assemblies include all parts shown in frames.

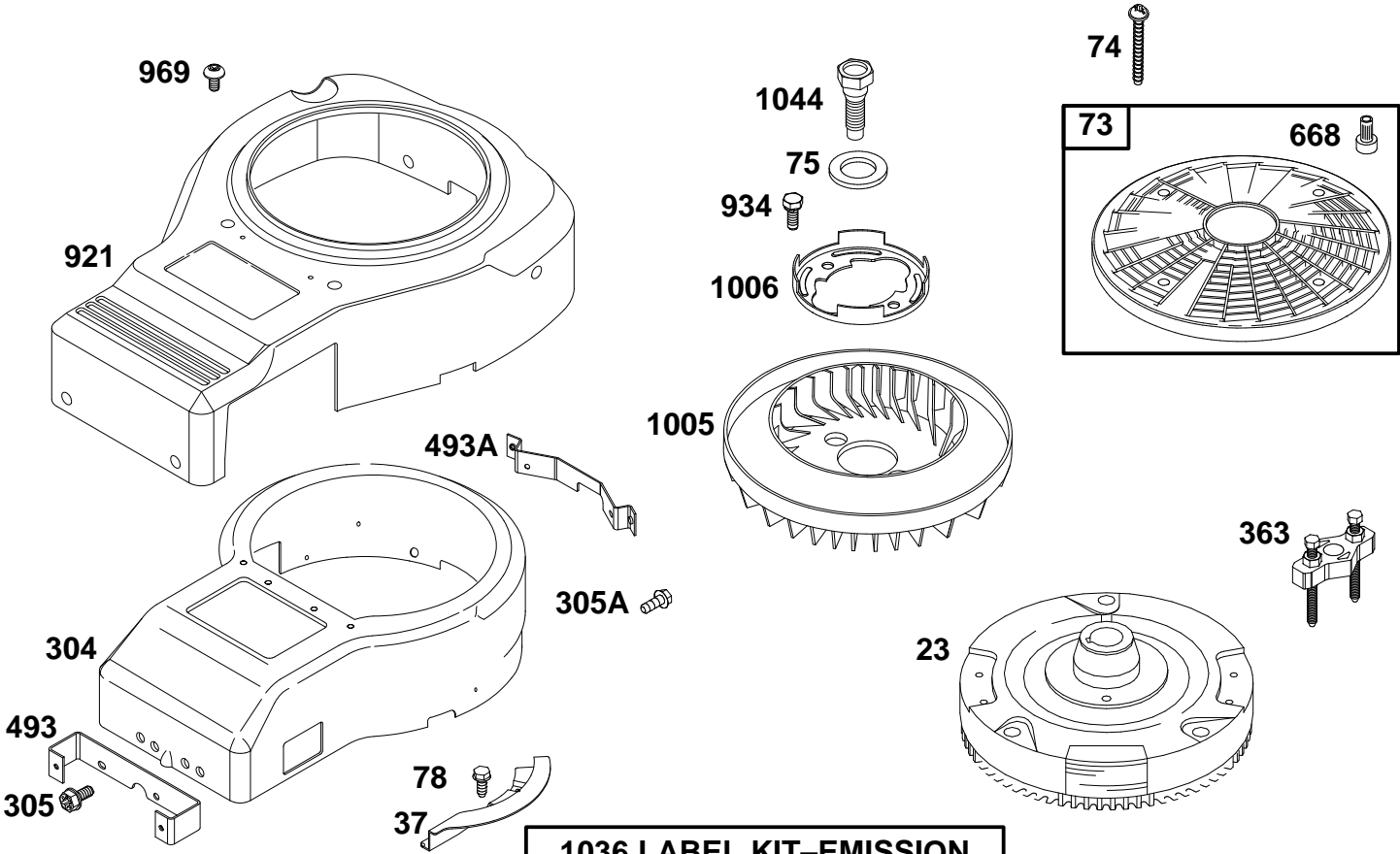
ENGINE BRIGGS & STRATTON MODEL 28Q777-0690-E1

| Ref. No. | Part No. | Description | No. Used |
|----------|----------|----------------------|----------|
| 202 | 262767 | Link-Governor | 1 |
| 209 | 692208 | Spring-Governor | 1 |
| 216 | 262766 | Link-Choke | 1 |
| 222 | 495611 | Plate-Gov. Control | 1 |
| 227 | 493935 | Lever Assy.-Governor | 1 |
| 231 | 94929 | Screw | 1 |
| 232 | 262785 | Spring-Governor Link | 1 |
| 265 | 221535 | Clamp-Casing | 1 |
| 333 | 495859 | Armature-Magneto | 1 |
| 334 | 94731 | Screw-Sem | 1 |
| 356 | 494705 | Wire-Ground | 1 |
| 474 | 393474 | Alternator | 1 |

| Ref. No. | Part No. | Description | No. Used |
|----------|----------|-------------------------|----------|
| 482 | 93621 | Screw-Sem | 1 |
| 521 | 272699 | Shield-Cable | 1 |
| 562 | 94907 | Bolt-Governor Lever | 1 |
| 592 | 231978 | Nut-Hex. | 1 |
| 657 | 94906 | Screw-Sem | 1 |
| 663 | 94929 | Screw-Hex. Hd. | 1 |
| 729A | 281390 | Clip-Lead Wire | 1 |
| 789 | 692037 | Harness-Wiring | 1 |
| 851 | 224110 | Terminal-Ignition Cable | 1 |
| 877 | 393456 | Wire-Alternator | 1 |

★ Included in Gasket Set-Part No. 495993.
 △ Included in Valve Overhaul Kit-Part No. 495992.

● Included in Carburetor Kit-Part No. 499233.
 ◆ Included in Carburetor Gasket Set-Part No. 690192.



Assemblies include all parts shown in frames.

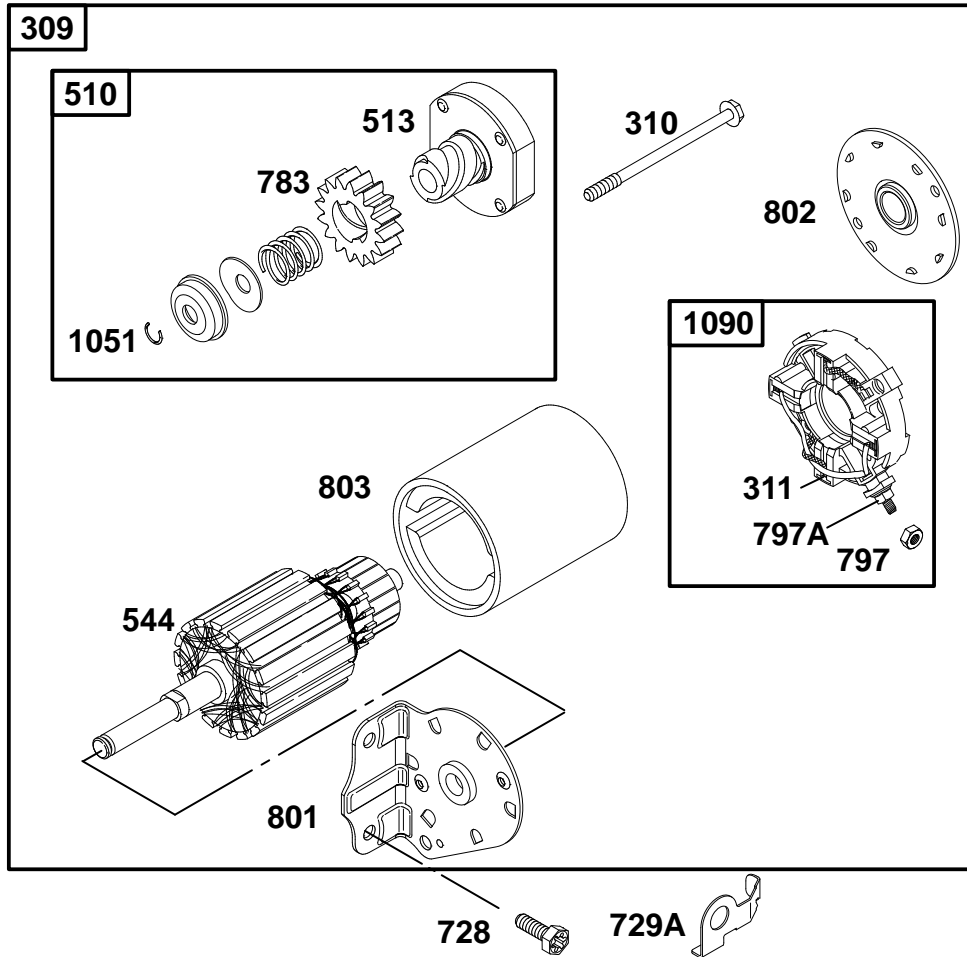
ENGINE BRIGGS & STRATTON MODEL 28Q777-0690-E1

| Ref. No. | Part No. | Description | No. Used |
|----------|----------|------------------|----------|
| 23 | 693557 | Flywheel | 1 |
| 37 | 224502 | Guard-Flywheel | 1 |
| 73 | 494439 | Screen-Rotating | 1 |
| 74 | 94821 | Screw-Sem | 1 |
| 75 | 224061 | Washer | 1 |
| 78 | 94896 | Screw-Hex. Head | 1 |
| 304 | 225017 | Housing-Blower | 1 |
| 305 | 690960 | Screw-Hex. Head | 1 |
| 305A | 692127 | Screw-Torx® Hex. | 1 |
| 363 | 19203 | Puller-Flywheel | 1 |
| 493 | 224968 | Bracket-Mounting | 1 |

| Ref. No. | Part No. | Description | No. Used |
|----------|----------|----------------------|----------|
| 493A | 224969 | Bracket-Mounting | 1 |
| 668 | 280848 | Spacer | 1 |
| 921 | 225016 | Cover-Blower Housing | 1 |
| 934 | 94627 | Screw-Sem | 1 |
| 969 | 94822 | Screw-Torx® | 1 |
| 1005 | 281400 | Fan-Flywheel | 1 |
| 1006 | 224413 | Retainer-Fan | 1 |
| 1036 | 499364 | Label Kit-Emission | 1 |
| 1044 | 94673 | Screw (Flywheel) | 1 |

★ Included in Gasket Set-Part No. 495993.
 Δ Included in Valve Overhaul Kit-Part No. 495992.

● Included in Carburetor Kit-Part No. 499233.
 ◆ Included in Carburetor Gasket Set-Part No. 690192.



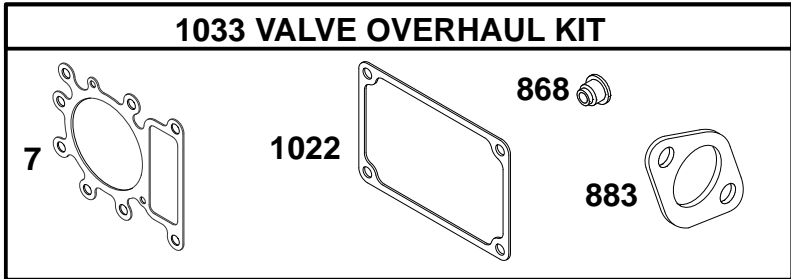
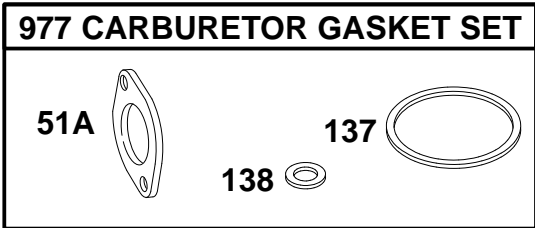
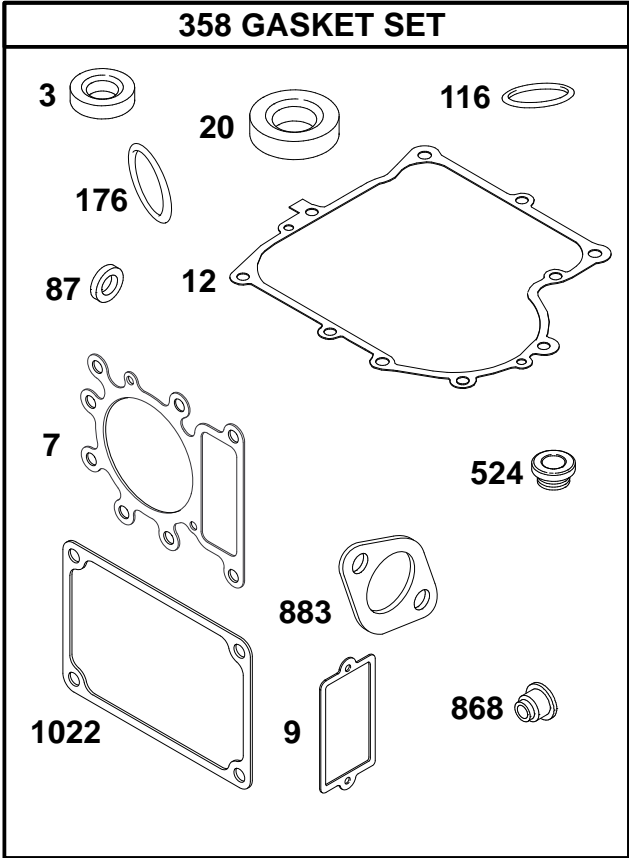
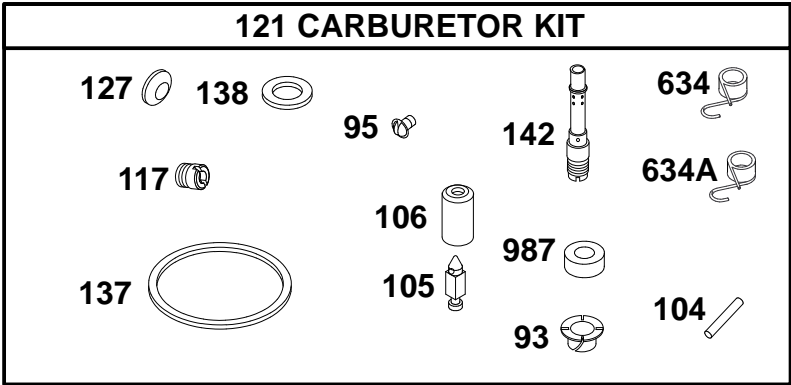
ENGINE BRIGGS & STRATTON MODEL 28Q777-0690-E1

| Ref. No. | Part No. | Description | No. Used |
|----------|----------|-----------------------------------|----------|
| 309 | 693551 | Motor-Starter | 1 |
| 310 | 94003 | Screw (Starter Motor) | 1 |
| 311 | 497608 | Brush Set | 1 |
| 510 | 693699 | Drive-Starter | 1 |
| 513 | 398003 | Clutch-Drive | 1 |
| 544 | 497603 | Armature-Starter | 1 |
| 728 | 94951 | Screw (Starter Motor Mounting) | 1 |
| 729A | 225170 | Clip-Wire | 1 |

| Ref. No. | Part No. | Description | No. Used |
|------------|----------|---------------------------|----------|
| 783 | 693713 | Starter-Pinion (Steel) | 1 |
| 797 | 92278 | Nut (Starter Terminal) | 1 |
| 797A | 693167 | Nut (Starter Terminal) | 1 |
| 801 | 497626 | Cap-Drive | 1 |
| 802 | 497607 | Cap-End | 1 |
| 803 | 693757 | Housing-Starter | 1 |
| 1051 | 263080 | Ring-Retainer | 1 |
| 1090497605 | 7605 | Retainer-Brush | 1 |

★ Included in Gasket Set—Part No. 495993.
 △ Included in Valve Overhaul Kit—Part No. 495992.

● Included in Carburetor Kit—Part No. 499233.
 ◆ Included in Carburetor Gasket Set—Part No. 690192.



Assemblies include all parts shown in frames.

ENGINE BRIGGS & STRATTON MODEL 28Q777-0690-E1

| Ref. No. | Part No. | Description | No. Used |
|----------|----------|-----------------------------------|----------|
| ★3 | 391086 | Seal-Oil | 1 |
| △★7 | 273280 | Gasket-Cylinder Head | 1 |
| ★9 | 27803 | Gasket-Valve Cover | 1 |
| ★12 | 271916 | Gasket-Crankcase (.015" Thick) | 1 |
| ★ | 271997 | Gasket-Crankcase (.005" Thick) | 1 |
| ★ | 271996 | Gasket-Crankcase (.009" Thick) | 1 |
| ★20 | 291675 | Seal-Oil | 1 |
| ●51A | 273650 | Gasket-Carburetor | 1 |
| ★87 | 491323 | Seal-Governor | 1 |
| ●93 | 281346 | Bushing-Throttle Shaft | 1 |
| ●95 | 94098 | Screw-Throttle | 1 |
| ●104 | 231789 | Pin-Float Hinge | 1 |
| ●105 | 231855 | Valve-Inlet Needle | 1 |
| ●106 | 231854 | Seat-Inlet | 1 |
| ★116 | 270920 | Seal-O-Ring | 1 |
| ●117 | 232118 | Jet-Main | 1 |

| Ref. No. | Part No. | Description | No. Used |
|----------|----------|-----------------------------------|----------|
| 121 | 499233 | Carburetor Kit | 1 |
| ●127 | | Plug-Welch (Sold in Kit Only). | 1 |
| ●◆137 | 281165 | Gasket-Float Bowl | 1 |
| ●◆138 | 281164 | Washer-Float Bowl | 1 |
| ●142 | 232117 | Nozzle-Carburetor | 1 |
| ★176 | 281106 | Gasket-Air Cleaner | 1 |
| 358 | 495993 | Gasket Set | 1 |
| ★524 | 281370 | Seal-Fill Tube | 1 |
| ●634 | 494453 | Seal-Spring Assembly | 1 |
| ●634A | 494455 | Seal-Spring Assembly | 1 |
| △★868 | 494435 | Seal-Valve | 1 |
| △★883 | 272293 | Gasket-Exhaust | 1 |
| 977 | 690192 | Carburetor Gasket Set | 1 |
| ●987 | 281166 | Seal-Throttle Shaft | 1 |
| △★1022 | 272475 | Gasket-Rocker Cover | 1 |
| 1033 | 495992 | Kit-Valve Overhaul | 1 |

★ Included in Gasket Set-Part No. 495993.
 △ Included in Valve Overhaul Kit-Part No. 495992.

● Included in Carburetor Kit-Part No. 499233.
 ◆ Included in Carburetor Gasket Set-Part No. 690192.

Toro Part Number Index

| Part No. | Page No. | Ref. No. | Qty. | Description |
|----------|----------|----------|------|-------------------------|
| 104047 | 6 | 3:1 | 1 | Bushing |
| 104048 | 6 | 3:2 | 1 | Valve-Fuel |
| 110513 | 4 | 29:2:2 | 2 | Bearing - Wheel |
| 111419 | 4 | 12 | 1 | Bearing-Washer |
| 115271 | 9 | 5 | 1 | Fan-7" |
| 614249 | 2 | 38 | 1 | Strap-Tie Sm |
| 701178 | 1 | 1 | 2 | Cap-Protector |
| 701756 | 11 | 41 | 2 | Wheel-Gage |
| 702366 | 15 | 6 | 1 | Clip-Wire Retainer |
| 936109 | 16 | 36 | 1 | Ring-Retaining |
| 9266714 | 2 | 36 | 2 | Screw-HWH |
| 9266714 | 4 | 25 | 2 | Screw-HWH |
| 9266714 | 6 | 38 | 1 | Screw-HWH |
| 9266714 | 6 | 43 | 2 | Screw-HWH |
| 9266714 | 15 | 9 | 3 | Screw-HWH |
| 9267154 | 6 | 16 | 1 | Screw |
| 3-6498 | 4 | 21 | 4 | Washer-Thrust |
| 3-6498 | 4 | 24 | 2 | Washer-Thrust |
| 3-6498 | 5 | 17 | 1 | Washer-Thrust |
| 3-6498 | 8 | 10 | 2 | Washer-Thrust |
| 5-4460 | 18 | 43 | 1 | Washer-Fender |
| 5-4460 | 3 | 4 | 1 | Washer-Pivot |
| 5-4460 | 4 | 17 | 1 | Washer-Pivot |
| 5-4460 | 6 | 9 | 4 | Washer-Pivot |
| 5-4460 | 7 | 35 | 1 | Washer-Pivot |
| 5-4460 | 9 | 20 | 1 | Washer-Pivot |
| 7-0030 | 12 | 31 | 1 | Bolt-Shoulder |
| 7-0030 | 14 | 11 | 3 | Bolt-Shoulder |
| 7-0036 | 8 | 11 | 2 | Key |
| 23-0310 | 10 | 8 | 1 | Shoulder Bolt |
| 26-0671 | 6 | 12 | 1 | Screw-Blade |
| 26-0671 | 11 | 19 | 2 | Screw-Blade |
| 26-6701 | 9 | 15 | 1 | Spring-Brake Return |
| 27-0220 | 6 | 2 | 4 | Screw-Special |
| 27-8890 | 7 | 1 | 1 | Spring-Return |
| 28-0540 | 2 | 6 | 2 | Bolt-Shoulder |
| 28-2480 | 4 | 28 | 2 | Washer |
| 28-2480 | 8 | 12 | 2 | Washer |
| 28-8080 | 15 | 1 | 1 | Boot-Terminal |
| 37-8770 | 3 | 1 | 4 | Bolt-Shoulder |
| 37-8770 | 7 | 31 | 1 | Bolt-Shoulder |
| 38-1420 | 15 | 5 | 1 | Switch-Seat |
| 38-7820 | 11 | 6 | 4 | Bearing-Ball |
| 44-8110 | 15 | 4 | 1 | Wire ASM |
| 46-5780 | 3 | 14 | 1 | Switch-Starter |
| 46-6290 | 13 | 21 | 1 | O Ring |
| 46-8090 | 2 | 13 | 7 | Screw-Plastite |
| 46-8090 | 10 | 5 | 2 | Screw-Plastite |
| 46-8091 | 2 | 3 | 3 | Special-HWH |
| 47-2963 | 6 | 4 | 1 | Hose-Gas |
| 52-2891 | 4 | 11 | 2 | Bushing-Steering Link |
| 56-2540 | 15 | 3:2 | 1 | Tube-Batt Drain/80-2600 |
| 56-6591 | 11 | 40 | 2 | Wheel Bolt |
| 56-9830 | 12 | 2:2 | 1 | Pad-Brake |
| 57-6950 | 11 | 27 | 1 | Spring |
| 61-9780 | 4 | 26 | 2 | Cap-Hub |
| 61-9780 | 8 | 14 | 2 | Cap-Hub |
| 61-9980 | 13 | 8 | 2 | Screw-Adjusting |
| 62-3661 | 11 | 8 | 2 | Bearing Spacer |
| 63-8360 | 3 | 2 | 1 | Key-Ignition w/Shield |
| 63-8360 | 15 | 25 | 1 | Key-Ignition w/Shield |
| 65-2920 | 7 | 20 | 1 | Pad-Pedal |

*Not Illustrated

Toro Part Number Index (cont.)

| Part No. | Page No. | Ref. No. | Qty. | Description |
|------------|----------|----------|------|-------------------------|
| 65-5080 | 9 | 22 | 1 | Flange Bushing |
| 65-7210 | 14 | 23 | 1 | Spacer |
| 66-0120 | 6 | 1:1 | 1 | Knob |
| 67-0710 | 12 | 33 | 2 | Ball-Swivel Stop |
| 76-2160 | 11 | 5 | 4 | Kicker Plate |
| 79-1600-03 | 11 | 23 | 1 | Baffle Wa |
| 79-1640-03 | 11 | 11 | 1 | Baffle Wa |
| 79-3061 | 11 | 15 | 2 | Blade-19.32 Rec |
| 80-0510-03 | 11 | 17 | 2 | Blade Stiffener |
| 80-2240 | 15 | 31 | 1 | Emblem-Grille Whlhorse |
| 80-2600 | 15 | 3 | 1 | Battery |
| 80-4341 | 11 | 14 | 2 | Spindle Shaft |
| 80-4360 | 11 | 13 | 2 | Shield-Bearing |
| 80-4380 | 11 | 12 | 2 | Spacer |
| 80-6090 | 9 | 10 | 1 | Key - Pump |
| 80-6990 | 13 | 9 | 4 | Washer - Hardened |
| 80-6990 | 14 | 8 | 4 | Washer - Hardened |
| 86-4270 | 9 | 11:4 | 1 | Lock Spacer |
| 88-0890 | 4 | 37 | 1 | Grip-Bag Handle |
| 88-3880 | 6 | 3 | 1 | Gas Tank ASM |
| 88-3950 | 3 | 25 | 1 | Seat - Medium Back V411 |
| 88-3960 | 15 | 12 | 1 | Lens-Headlight |
| 88-3970 | 15 | 11 | 1 | Reflector & Lamp ASM |
| 88-3980 | 6 | 31 | 1 | Gas Cap Assembly |
| 88-4020 | 13 | 7 | 1 | RH Deck Belt Guide |
| 88-4030 | 13 | 2 | 1 | LH Deck Belt Guide |
| 88-4040 | 15 | 30 | 1 | Box-Battery |
| 88-4140 | 2 | 23 | 2 | Nut-Wedge |
| 88-4150 | 5 | 24 | 1 | Plug |
| 88-4160 | 2 | 24 | 2 | Rod-Clamp Pivot |
| 88-4170 | 2 | 20 | 1 | Rod-Tower Pivot |
| 88-4190 | 5 | 4 | 1 | Bushing - Sliding |
| 88-4230 | 14 | 13 | 2 | Trunnion-HOC |
| 88-4340 | 6 | 1 | 1 | Control-Throttle |
| 88-4350 | 6 | 30 | 1 | Cable-Throttle |
| 88-4390 | 8 | 9:2 | 1 | Rim ASM |
| 88-4410 | 6 | 20 | 1 | Gasket-Muffler |
| 88-4430 | 11 | 29 | 1 | Recycler Cover |
| 88-4490 | 6 | 48 | 1 | Reducer-Throttle Rpm |
| 88-4510 | 11 | 7 | 2 | Diecast Alum Spindle |
| 88-4590 | 12 | 1 | 2 | Bolt-Shoulder |
| 88-4620-03 | 1 | 11 | 1 | Bracket-Idler Pivot |
| 88-4630-03 | 1 | 24 | 1 | Plate-Eng Mtg |
| 88-4670 | 4 | 9 | 1 | Bushing - Eccentric |
| 88-4690 | 10 | 7 | 1 | Pivot Block |
| 88-4730 | 14 | 16 | 2 | Clamp-HOC Pivot |
| 88-4810 | 7 | 13 | 1 | Clamp-Shift Pivot |
| 88-4820-03 | 3 | 11 | 2 | Bracket-Seat Hinge |
| 88-4830 | 4 | 34 | 1 | Link-Drag |
| 88-4850 | 6 | 11 | 1 | Engine Pulley |
| 88-4870-03 | 12 | 32 | 1 | Arm Idler Deck |
| 88-4880 | 15 | 17 | 1 | Spacer |
| 88-4980 | 12 | 23 | 1 | Bushing Idler Arm |
| 88-4990 | 3 | 23 | 1 | Tray - Fender |
| 88-5000-03 | 7 | 21 | 1 | Pedal-Clutch/Brake |
| 88-5010 | 4 | 7 | 1 | Spacer - Steering Rack |
| 88-5030-03 | 3 | 9 | 1 | Gate-HOC |
| 88-5070 | 12 | 29 | 1 | Idler Belt Guide |
| 88-5110-03 | 14 | 22 | 1 | Pivot Wa |
| 88-5130-03 | 4 | 5 | 1 | Bracket-Steering Rack |
| 88-5150 | 5 | 16 | 1 | Bearing-Flange |
| 88-5190-03 | 2 | 25 | 1 | Deck Engage Lev Wa |

*Not Illustrated

Toro Part Number Index (cont.)

| Part No. | Page No. | Ref. No. | Qty. | Description |
|------------|----------|----------|------|-------------------------|
| 88-5200 | 4 | 10 | 1 | Steering Rack Wa |
| 88-5230 | 3 | 17 | 1 | RH Foot Mat Hydro |
| 88-5240 | 3 | 16 | 1 | Mat-LH Foot |
| 88-5260-03 | 1 | 10 | 2 | Bracket-Transaxle Mtg |
| 88-5270 | 7 | 29 | 1 | Rod-Clutch/Brake |
| 88-5330 | 12 | 21 | 2 | Pulley Deck 38" |
| 88-5360 | 9 | 12 | 2 | Spacer |
| 88-5380 | 4 | 32 | 1 | Tie Rod - Steering |
| 88-5450 | 14 | 12 | 2 | Rod-Hanger Rear |
| 88-5460 | 9 | 17 | 1 | Trans Belt Guide |
| 88-5470 | 4 | 23 | 2 | Spacer-Front Axle |
| 88-5500 | 7 | 15 | 1 | Rod-Pedal Pivot |
| 88-5510 | 4 | 35 | 1 | Rod-Parking Brake |
| 88-5520-03 | 4 | 36 | 1 | Bracket-Parking Brake |
| 88-5540 | 12 | 26 | 1 | RH Deck Brake Rod |
| 88-5550 | 12 | 3 | 1 | LH Deck Brake Rod |
| 88-5560 | 7 | 32 | 1 | Guide-Idler Belt |
| 88-5570-03 | 14 | 6 | 2 | Link-HOC Adjusting |
| 88-5610 | 10 | 14 | 2 | Neutral Return Lever |
| 88-5620 | 9 | 9 | 1 | Torque Strap |
| 88-5630 | 12 | 30 | 1 | Flat Idler Pulley |
| 88-5680 | 7 | 33 | 1 | Pulley-Idler |
| 88-5740-03 | 11 | 42 | 1 | RH Whl Deck Brkt |
| 88-5900 | 14 | 3 | 1 | Link-HOC |
| 88-5910 | 12 | 5 | 2 | Torsion Spring |
| 88-5960 | 9 | 6 | 1 | LH Trans Belt Guide |
| 88-5970 | 12 | 10 | 1 | Hook Return Spring |
| 88-6040-03 | 2 | 18 | 1 | Bracket-RH Hinge |
| 88-6050-03 | 2 | 7 | 1 | Bracket-LH Hinge |
| 88-6070 | 7 | 30 | 1 | Arm-Idler |
| 88-6100 | 12 | 2 | 2 | Brake ASM |
| 88-6130 | 12 | 6 | 1 | Deck Engage Spring |
| 88-6140 | 7 | 2 | 1 | Brake Spring |
| 88-6180 | 9 | 7 | 1 | Hydro Trans Pulley |
| 88-6220 | 1 | 4 | 2 | Spring - Compression |
| 88-6250 | 12 | 18 | 1 | V - Belt |
| 88-6280 | 9 | 18 | 1 | V - Belt |
| 88-6330 | 7 | 7 | 1 | Spring - Extension |
| 88-6380 | 5 | 25 | 1 | Long Steering Shaft Wa |
| 88-6460 | 14 | 17 | 1 | Spring - Extension |
| 88-9830 | 15 | 24 | 1 | Switch-Ignition |
| 88-9932 | 15 | 19 | 2 | Switch-Micro |
| 92-5730 | 2 | 31 | 1 | Decal - Throttle |
| 92-5748 | 2 | 14:2 | 1 | Decal-Air Duct Toro |
| 92-5782 | 2 | 15 | 3 | Foil Tape |
| 92-6013-03 | 9 | 21 | 1 | Brkt-Speed Ctrl |
| 92-6543 | 16 | 3 | 1 | Seal-Lip |
| 92-6544 | 16 | 15 | 1 | Seal-Lip |
| 92-6545 | 16 | 24 | 1 | Seal-Lip |
| 92-6547 | 16 | 35 | 1 | Arm-Bypass |
| 92-6549 | 18 | 38 | 2 | Pin-Actuating |
| 92-7305 | 10 | 11 | 1 | Spring-Extension |
| 92-7889-03 | 4 | 30 | 1 | RH Spindle Wa |
| 92-7890-03 | 4 | 18 | 1 | LH Spindle Wa |
| 92-8856 | 9 | 8 | 1 | Wire - Bypass |
| 92-8857 | 9 | 26 | 1 | Lever - Bypass |
| 92-8875 | 15 | 26 | 1 | Switch - Rocker |
| 92-8934 | 12 | 8 | 1 | Spring - Extension |
| 92-9520 | 11 | 36 | 1 | Decal-Recycler Deck 38" |
| 92-9674 | 3 | 5 | 1 | Knob |
| 92-9845 | 15 | 8 | 1 | Solenoid |
| 93-0231 | 11 | 30:4 | 4 | Screw - PPH |

*Not Illustrated

Toro Part Number Index (cont.)

| Part No. | Page No. | Ref. No. | Qty. | Description |
|------------|----------|----------|------|---------------------------|
| 93-0539 | 15 | 15 | 4 | Screw-HH |
| 93-3240 | 15 | 20 | 1 | Plunger-Seal |
| 93-3807 | 18 | 134 | 1 | Nut-Castle |
| 93-3809 | 6 | 37 | 1 | Bracket-Ground |
| 93-3819 | 2 | 14 | 1 | Hood-w/Decal Toro |
| 93-3822-03 | 14 | 1 | 1 | Lever Wa |
| 93-3849 | 2 | 37 | 1 | Brkt-Upper Cable |
| 93-3854 | 6 | 7 | 3 | Guide - Belt Engine |
| 93-3855 | 6 | 24 | 1 | Guide - Belt RH |
| 93-3861 | 18 | 37 | 1 | Lever - Brake |
| 93-3864-03 | 2 | 16 | 1 | Shield - Heat |
| 93-3880-03 | 6 | 42 | 1 | Shield-Muffler |
| 93-3881-03 | 13 | 4 | 1 | Frt Deck Susp Pan |
| 93-3882 | 6 | 41 | 1 | Clip - Tinnerman, U |
| 93-3891 | 2 | 12 | 1 | Duct - Hood Air |
| 93-3896-03 | 11 | 46 | 1 | Brkt,LH Deckwheel |
| 93-6668 | 15 | 3:3 | 1 | Decal - Battery |
| 93-6673 | 2 | 32 | 1 | Decal - Deck Engage |
| 93-6674 | 11 | 32 | 2 | Decal - Warning |
| 93-6676 | 1 | 33 | 1 | Decal - Instruction |
| 93-6677 | 11 | 31 | 1 | Decal - Shield Danger |
| 93-6678 | 1 | 31 | 1 | Decal - Dump Valve |
| 93-6679 | 11 | 37 | 1 | Decal - Belt Routing, 38" |
| 93-7009 | 11 | 33 | 1 | Decal-Deflector Danger |
| 93-7010 | 11 | 28 | 2 | Decal - Danger |
| 93-7010 | 11 | 30:1 | 1 | Decal - Danger |
| 93-7276 | 15 | 3:4 | 1 | Decal - Danger |
| 93-7657 | 3 | 7 | 1 | Cover - HOC, Intl |
| 93-7695 | 11 | 30 | 1 | ASM - 38" Deflector, Intl |
| 93-7696 | 11 | 30:3 | 2 | Kicker - Ce |
| 93-8450-03 | 6 | 45 | 1 | Wa - Exhaust Shield |
| 93-9354 | 15 | 3:5 | 1 | Decal - Danger |
| 93-9847 | 13 | 12 | 2 | Spacer |
| 94-1902 | 16 | 4 | 1 | Ring-Wire Retaining |
| 94-1903 | 16 | 5 | 1 | Ring-Retaining |
| 94-1904 | 16 | 6 | 1 | Bearing-Shaft Ball |
| 94-1905 | 16 | 7 | 2 | Bearing-Cradle |
| 94-1907 | 16 | 9 | 1 | Swashplate-Variable |
| 94-1908 | 16 | 13 | 1 | Block-Cylinder ASM |
| 94-1909 | 16 | 14 | 1 | Arm-Trunion |
| 94-1910 | 16 | 17 | 1 | Guide-Slot |
| 94-1913 | 18 | 23 | 1 | Block-Cyl (Motor) |
| 94-1914 | 18 | 25 | 1 | Actuator-Bypass |
| 94-1916 | 18 | 27 | 1 | Seal-Lip |
| 94-1917 | 18 | 28 | 1 | Ring-Retaining |
| 94-1918 | 18 | 29 | 2 | Washer |
| 94-1919 | 18 | 41 | 1 | Brake Rotor/Stator Kit |
| 94-1920 | 18 | 34 | 1 | Oil Filter Element |
| 94-1923 | 18 | 39 | 1 | Bolt |
| 94-1924 | 17 | 53 | 2 | Seal |
| 94-1925 | 16 | 56 | 1 | Shaft-Input |
| 94-1926 | 18 | 58 | 21 | Bolt |
| 94-1927 | 18 | 59 | 2 | Pin |
| 94-1935 | 17 | 99 | 2 | Seal-Wiper |
| 94-1936 | 16 | 92 | 1 | Spring |
| 94-1937 | 16 | 93 | 1 | Washer |
| 94-1942 | 17 | 44 | 1 | Differential ASM |
| 94-1943 | 17 | 52 | 2 | Washer |
| 94-1944 | 17 | 98 | 2 | Sleeve-Bearing |
| 94-1945 | 9 | 27 | 1 | ASM - Breather Hose |
| 94-1946 | 18 | 1 | 1 | Housing |
| 94-1947 | 18 | 18 | 1 | Shaft-Motor |

*Not Illustrated

Toro Part Number Index (cont.)

| Part No. | Page No. | Ref. No. | Qty. | Description |
|------------|----------|----------|------|---------------------------|
| 94-1948 | 16 | 2 | 1 | Upper Housing ASM |
| 94-1951 | 6 | 39 | 1 | Latch - Hood |
| 94-1952 | 6 | 28 | 1 | Rod - Gas Tank |
| 94-1953 | 6 | 15 | 1 | Muffler - Exhaust |
| 94-1962-03 | 4 | 31 | 1 | Axle Wa-Front |
| 94-1970-03 | 13 | 14 | 1 | Brkt-RH Deck Susp |
| 94-1971-03 | 13 | 6 | 1 | Brkt - LH Deck Susp |
| 94-1980 | 2 | 39 | 2 | Foam - Hood |
| 94-1984 | 2 | 11 | 1 | Latch - Pin |
| 94-5362 | 15 | 33 | 1 | Boot - Terminal Insulator |
| 94-5565 | 2 | 2 | 1 | Knob - Shift |
| 94-5565 | 14 | 24 | 1 | Knob - Shift |
| 94-5823 | 13 | 5 | 2 | Bolt - Shoulder |
| 94-6775 | 9 | 11 | 1 | Transaxle ASM-Hydro |
| 94-6922 | 16 | 8 | 1 | Bearing-Thrust |
| 94-6923 | 18 | 19 | 1 | Bearing-Thrust |
| 94-6924 | 18 | 26 | 1 | Centersection ASM |
| 94-6925 | 18 | 30 | 1 | Bypass Plate |
| 95-0807 | 2 | 34 | 1 | Decal - Hood Right |
| 95-0808 | 2 | 33 | 1 | Decal - Hood Left |
| 95-0809 | 1 | 35 | 1 | Decal-Rear Body |
| 95-1653 | 10 | 17 | 1 | Switch - Single Pole |
| 95-1661 | 11 | 26 | 1 | Rod - Pivot |
| 95-2747 | 13 | 20 | 1 | Fitting - Washout |
| 95-7652 | 15 | 34 | 1 | Light - Indicator |
| 98-1459 | 5 | 23 | 1 | Decal - Toro |
| 98-1467 | 5 | 1 | 1 | Wheel - Steering |
| 98-1468 | 5 | 1:1 | 1 | Cover - Wheel, Steering |
| 98-3575-03 | 1 | 21 | 1 | Support-Front Axle |
| 98-7249 | 15 | 22 | 1 | Relay-Spdt |
| 99-1935 | 15 | 18 | 1 | Harness-Headlight |
| 99-1947 | 2 | 1 | 1 | Tower-Steering [Service] |
| 99-2956-03 | 4 | 16 | 1 | Bracket-Module |
| 99-2957-03 | 1 | 5 | 1 | Panel-Rear Hitch |
| 99-2958-03 | 1 | 13 | 1 | Rail- LH Frame |
| 99-2959-03 | 1 | 25 | 1 | Rail- RH Frame |
| 99-2971 | 1 | 28 | 1 | Body ASM-Rear |
| 99-2977 | 15 | 23 | 1 | Wire Harness |
| 99-2986 | 3 | 3:2 | 1 | Decal-Danger Intl |
| 99-2988 | 4 | 29:1 | 1 | Tire |
| 99-2996 | 8 | 9:1 | 1 | Tire |
| 99-3700 | 4 | 19 | 1 | Module-Nmir |
| 99-5340 | 3 | 3:3 | 1 | Decal-Nmir Switch Intl |
| 99-5831 | 3 | 3 | 1 | Support ASM-Seat |
| 99-5843 | 9 | 11:3 | 1 | Lever Wa-Speed Control |
| 99-5847 | 11 | 3 | 1 | Deck ASM-Service,Intl |
| 99-5913 | 2 | 29 | 2 | Decal-1538 Hxl |
| 99-6059 | 15 | 35 | 1 | Clip-Retainer |
| 99-6120-05 | 10 | 9 | 1 | Pedal-Speed Control |
| 99-6121 | 10 | 15 | 1 | Bushing |
| 99-6803 | 10 | 13 | 1 | Rod-Speed Control,1538 |
| 99-6805 | 10 | 16 | 1 | Spring-Extension |
| 99-6806 | 10 | 20 | 1 | Bracket - Adjustment |
| 99-6807 | 10 | 18 | 1 | Bracket - Pivot |
| 99-6808 | 10 | 19 | 1 | Washer-Stepped |
| 99-6810 | 10 | 23 | 1 | Screw-Hex Hd |
| 99-6829 | 4 | 29:2 | 1 | 15" Rim ASM |
| 99-6837 | 2 | 35 | 1 | Cable ASM-Deck Engage |
| 99-8056 | 6 | 35 | 1 | Decal - Engine |
| 99-8141 | 2 | 30 | 1 | Decal-Ignition/Lights |
| 218-461 | 3 | 14:1 | 1 | Nut-F/W |
| 218-461 | 15 | 24:2 | 1 | Nut-F/W |

*Not Illustrated

Toro Part Number Index (cont.)

| Part No. | Page No. | Ref. No. | Qty. | Description |
|----------|----------|----------|------|-----------------|
| 218-560 | 15 | 3:1 | 6 | Cap-Battery |
| 218-578 | 19 | | 3 | Fuse-10a |
| 232-27 | 4 | 29:2:1 | 1 | Stem-Valve |
| 232-27 | 8 | 9:2:1 | 1 | Stem-Valve |
| 232-39 | 4 | 29:99 | 1 | Tube |
| 232-41 | 8 | 9:99 | 1 | Tube |
| 2412-98 | 6 | 5 | 2 | Clamp |
| 302-5 | 4 | 29:2:3 | 1 | Fitting-Lube |
| 302-26 | 4 | 8 | 1 | Zerk |
| 321-2 | 2 | 5 | 4 | Screw-HH |
| 321-4 | 5 | 7 | 2 | Screw-HH |
| 321-4 | 11 | 9 | 2 | Screw-HH |
| 321-4 | 15 | 2 | 2 | Screw-HH |
| 321-15 | 11 | 38 | 2 | Screw-HH |
| 322-3 | 1 | 7 | 22 | Screw-HH |
| 322-3 | 2 | 28 | 2 | Screw-HH |
| 322-3 | 3 | 10 | 4 | Screw-HH |
| 322-3 | 6 | 46 | 1 | Screw-HH |
| 322-3 | 7 | 14 | 2 | Screw-HH |
| 322-3 | 11 | 44 | 6 | Screw-HH |
| 322-3 | 14 | 19 | 4 | Screw-HH |
| 322-5 | 1 | 2 | 2 | Screw-HH |
| 322-5 | 6 | 10 | 2 | Screw-HH |
| 322-5 | 12 | 20 | 2 | Screw-HH |
| 322-9 | 6 | 6 | 3 | Screw-HH |
| 322-12 | 8 | 15 | 4 | Screw-HH |
| 322-12 | 13 | 16 | 2 | Screw-HH |
| 322-39 | 14 | 2 | 1 | Screw-HH |
| 323-5 | 11 | 24 | 2 | Screw-HH |
| 323-9 | 13 | 13 | 2 | Screw-HH |
| 323-11 | 7 | 34 | 1 | Screw-HH |
| 323-12 | 12 | 27 | 1 | Screw-HH |
| 323-13 | 4 | 2 | 2 | Screw-HH |
| 3219-6 | 12 | 22 | 2 | Nut-Hex |
| 3229-1 | 13 | 22 | 2 | Screw-CARR |
| 3230-1 | 11 | 21 | 1 | Screw-CARR |
| 3230-2 | 4 | 6 | 4 | Screw-CARR |
| 3230-2 | 9 | 19 | 1 | Screw-CARR |
| 3230-3 | 4 | 4 | 1 | Screw-CARR |
| 3230-3 | 7 | 22 | 1 | Screw-CARR |
| 3230-5 | 9 | 23 | 1 | Screw-CARR |
| 3230-7 | 9 | 24 | 1 | Screw-CARR |
| 3230-18 | 10 | 22 | 2 | Screw-CARR |
| 3231-4 | 4 | 3 | 1 | Screw-CARR |
| 3253-4 | 6 | 21 | 2 | Washer-Lock/Sp |
| 3253-4 | 6 | 47 | 1 | Washer-Lock/Sp |
| 3253-22 | 6 | 13 | 1 | Washer-Lock/Sp |
| 3254-4 | 15 | 24:1 | 1 | Washer-Lock/Int |
| 3254-5 | 3 | 14:2 | 1 | Washer-Lock/Int |
| 3255-7 | 15 | 14 | 2 | Washer-Lock/Ext |
| 3255-8 | 6 | 23 | 1 | Washer-Lock/Ext |
| 3256-1 | 13 | 19 | 2 | Washer-Flat |
| 3256-22 | 5 | 6 | 2 | Washer-Flat |
| 3256-22 | 9 | 25 | 1 | Washer-Flat |
| 3256-22 | 10 | 6 | 2 | Washer-Flat |
| 3256-22 | 13 | 10 | 2 | Washer-Flat |
| 3256-23 | 1 | 3 | 4 | Washer-Flat |
| 3256-23 | 2 | 27 | 2 | Washer-Flat |
| 3256-23 | 7 | 23 | 1 | Washer-Flat |
| 3256-23 | 8 | 16 | 4 | Washer-Flat |
| 3256-23 | 9 | 2 | 2 | Washer-Flat |
| 3256-23 | 9 | 14 | 2 | Washer-Flat |

*Not Illustrated

Toro Part Number Index (cont.)

| Part No. | Page No. | Ref. No. | Qty. | Description |
|----------|----------|----------|------|-----------------------|
| 3256-23 | 10 | 27 | 2 | Washer-Flat |
| 3256-24 | 2 | 21 | 2 | Washer-Flat |
| 3256-24 | 4 | 20 | 4 | Washer-Flat |
| 3256-24 | 12 | 28 | 2 | Washer-Flat |
| 3256-24 | 14 | 5 | 4 | Washer-Flat |
| 3256-25 | 4 | 13 | 4 | Washer-Flat |
| 3256-25 | 6 | 14 | 1 | Washer-Flat |
| 3256-26 | 7 | 18 | 1 | Washer-Flat |
| 3256-38 | 10 | 2 | 2 | Washer-Flat |
| 3256-58 | 9 | 4 | 1 | Washer-Flat |
| 3256-68 | 12 | 19 | 1 | Washer-Flat |
| 3269-26 | 3 | 13 | 2 | Washer-Flat |
| 3272-7 | 18 | 135 | 1 | Pin-Cotter |
| 3272-10 | 4 | 14 | 4 | Pin-Cotter |
| 3272-10 | 7 | 24 | 1 | Pin-Cotter |
| 3272-12 | 4 | 27 | 2 | Pin-Cotter |
| 3274-10 | 6 | 22 | 2 | Screw-HSH |
| 3274-59 | 9 | 11:5 | 1 | Screw-HSH |
| 3290-282 | 3 | 8 | 2 | Rivet-Stl Pop |
| 3290-282 | 12 | 2:1 | 2 | Rivet-Stl Pop |
| 3290-299 | 15 | 32 | 1 | Clip |
| 3290-307 | 2 | 19 | 2 | Cotter-Hairpin |
| 3290-307 | 9 | 1 | 1 | Cotter-Hairpin |
| 3290-307 | 10 | 1 | 2 | Cotter-Hairpin |
| 3290-307 | 14 | 4 | 7 | Cotter-Hairpin |
| 3290-354 | 15 | 16 | 2 | Nut-Speed |
| 3290-392 | 10 | 25 | 2 | Screw - Hex Head Slot |
| 3290-465 | 11 | 18 | 2 | Washer-Belleville |
| 3290-479 | 3 | 6 | 16 | Fastener-Panel |
| 3290-496 | 2 | 8 | 2 | Nut-Retainer |
| 3296-1 | 10 | 26 | 2 | Nut-Lock Ni |
| 3296-12 | 9 | 11:6 | 1 | Nut-Lock Ni |
| 3296-16 | 13 | 18 | 2 | Nut-Lock Ni |
| 3296-20 | 18 | 140 | 1 | Nut-lock Ni |
| 3296-23 | 13 | 17 | 2 | Nut-Lock Ni |
| 3296-29 | 1 | 6 | 24 | Nut-Lock Ni |
| 3296-29 | 2 | 26 | 2 | Nut-Lock Ni |
| 3296-29 | 3 | 12 | 6 | Nut-Lock Ni |
| 3296-29 | 4 | 1 | 5 | Nut-Lock Ni |
| 3296-29 | 6 | 29 | 4 | Nut-Lock Ni |
| 3296-29 | 7 | 19 | 1 | Nut-Lock Ni |
| 3296-29 | 7 | 26 | 2 | Nut-Lock Ni |
| 3296-29 | 7 | 27 | 1 | Nut-Lock Ni |
| 3296-29 | 8 | 1 | 4 | Nut-Lock Ni |
| 3296-29 | 9 | 13 | 5 | Nut-Lock Ni |
| 3296-29 | 10 | 21 | 2 | Nut-Lock Ni |
| 3296-29 | 11 | 20 | 1 | Nut-Lock Ni |
| 3296-29 | 11 | 45 | 6 | Nut-Lock Ni |
| 3296-29 | 12 | 25 | 2 | Nut-Lock Ni |
| 3296-29 | 13 | 15 | 2 | Nut-Lock Ni |
| 3296-29 | 14 | 14 | 8 | Nut-Lock Ni |
| 3296-39 | 4 | 15 | 3 | Nut-Lock Ni |
| 3296-39 | 11 | 22 | 3 | Nut-Lock Ni |
| 3296-39 | 11 | 43 | 2 | Nut-Lock Ni |
| 3296-39 | 12 | 24 | 1 | Nut-Lock Ni |
| 3296-39 | 13 | 3 | 2 | Nut-Lock Ni |
| 3296-42 | 2 | 4 | 4 | Nut-Lock Ni |
| 3296-42 | 5 | 9 | 2 | Nut-Lock Ni |
| 3296-42 | 10 | 24 | 1 | Nut-Lock Ni |
| 3296-42 | 11 | 10 | 2 | Nut-Lock Ni |
| 3296-42 | 12 | 4 | 2 | Nut-Lock Ni |
| 3296-42 | 13 | 11 | 2 | Nut-Lock Ni |

*Not Illustrated

Toro Part Number Index (cont.)

| Part No. | Page No. | Ref. No. | Qty. | Description |
|-----------------|-----------------|-----------------|-------------|----------------------|
| 3296-58 | 12 | 14 | 3 | Nut-Lock Ni |
| 3296-59 | 7 | 28 | 2 | Nut-Lock Ni |
| 3296-59 | 10 | 10 | 1 | Nut-Lock Ni |
| 32103-22 | 15 | 28 | 2 | Nut-Wing |
| 32104-76 | 6 | 44 | 2 | Screw-Acorn Slot |
| 32104-76 | 13 | 1 | 5 | Screw-Acorn Slot |
| 32111-7 | 11 | 39 | 2 | Nut-Cap |
| 32121-111 | 5 | 2 | 1 | Pin-Roll |
| 32128-43 | 2 | 22 | 2 | Nut-Lock Whiz |
| 32144-32 | 15 | 10 | 2 | Screw |
| 32144-41 | 11 | 2 | 8 | Screw-Taptite |
| 32144-111 | 11 | 4 | 8 | Screw-PPH |
| 32144-112 | 6 | 40 | 2 | Screw-Thread Forming |
| 32149-1 | 6 | 26 | 2 | Nut-Keps |
| 32149-1 | 9 | 16 | 1 | Nut-Keps |
| 32149-2 | 15 | 7 | 3 | Nut-Keps |
| 32151-48 | 4 | 33 | 2 | E-Ring |
| 32151-48 | 5 | 18 | 1 | E-Ring |
| 32151-48 | 8 | 13 | 2 | E-Ring |
| 32151-83 | 10 | 12 | 1 | Snap Ring |
| 33113-016 | 9 | 3 | 1 | Screw-HH |

MAINTENANCE RECORD

| Date | | | | | | | | |
|------|--|--|--|--|--|--|--|--|
| | | | | | | | | |
| | | | | | | | | |
| | | | | | | | | |
| | | | | | | | | |
| | | | | | | | | |
| | | | | | | | | |
| | | | | | | | | |
| | | | | | | | | |
| | | | | | | | | |
| | | | | | | | | |
| | | | | | | | | |
| | | | | | | | | |
| | | | | | | | | |
| | | | | | | | | |
| | | | | | | | | |
| | | | | | | | | |
| | | | | | | | | |
| | | | | | | | | |
| | | | | | | | | |
| | | | | | | | | |
| | | | | | | | | |
| | | | | | | | | |
| | | | | | | | | |
| | | | | | | | | |
| | | | | | | | | |
| | | | | | | | | |
| | | | | | | | | |
| | | | | | | | | |
| | | | | | | | | |
| | | | | | | | | |
| | | | | | | | | |