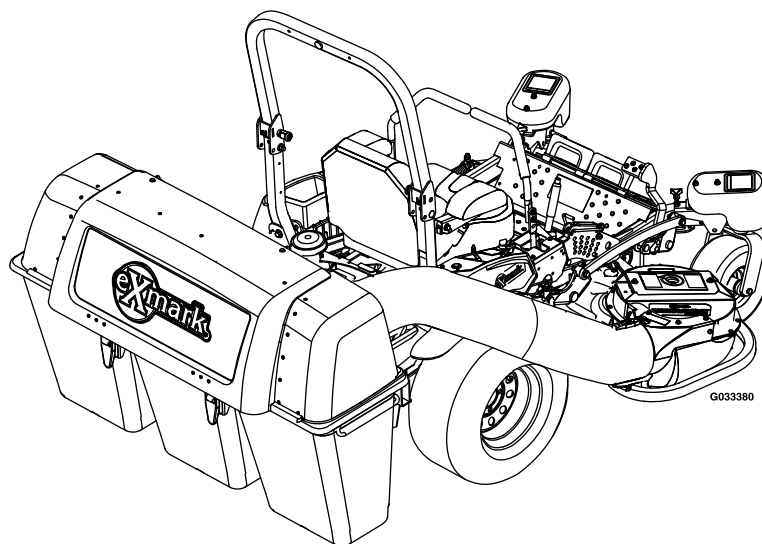




# ULTRAVAC® BAGGER

Model No. LZUV2B—Serial No. 404314159 and Up

Picture below may not reflect actual product.



# Parts Manual

# Ordering Replacement Parts

To order replacement parts, please supply the part number, the quantity, and the description of each part desired.

## Understanding Reference Numbers

Each identified part in an illustration has a reference number. The reference number for a part also appears in the parts list, along with other information about the part.

This catalog uses two special reference number formats, one to indicate parts in a service assembly and another to indicate the quantity of a given part in an illustration.

## Service Assembly Reference Numbers

Parts in service assemblies have reference numbers in the form a:b. The a represents the reference number of the entire service assembly and the b represents a sequential number unique to each part within the service assembly.

For example, a wheel assembly might be identified by reference number 6, the tire by 6:1, the valve by 6:2, and the wheel by 6:3. When you order the assembly identified by reference number 6, you receive all parts identified by reference numbers 6:1, 6:2, and 6:3. However, you may also order any part individually. Reference numbers of this type appear in illustration and in parts lists.

## Reference Numbers Indicating Quantity

In an illustration, if a reference number indicates more than one part, the reference number has the form nX y. The n represents the quantity of the part, the X is the multiplication symbol, and the y represents the reference number.

For example, in an illustration, the reference number 2X 37 means that two of the parts identified by reference number 37 are indicated.

# Touch Up Paint

Exmark black touch up spray paint – gloss black.

Exmark red touch up paint (spray paint – P/N 1-850337 - .6 oz liquid bottle – P/N 103-9140).

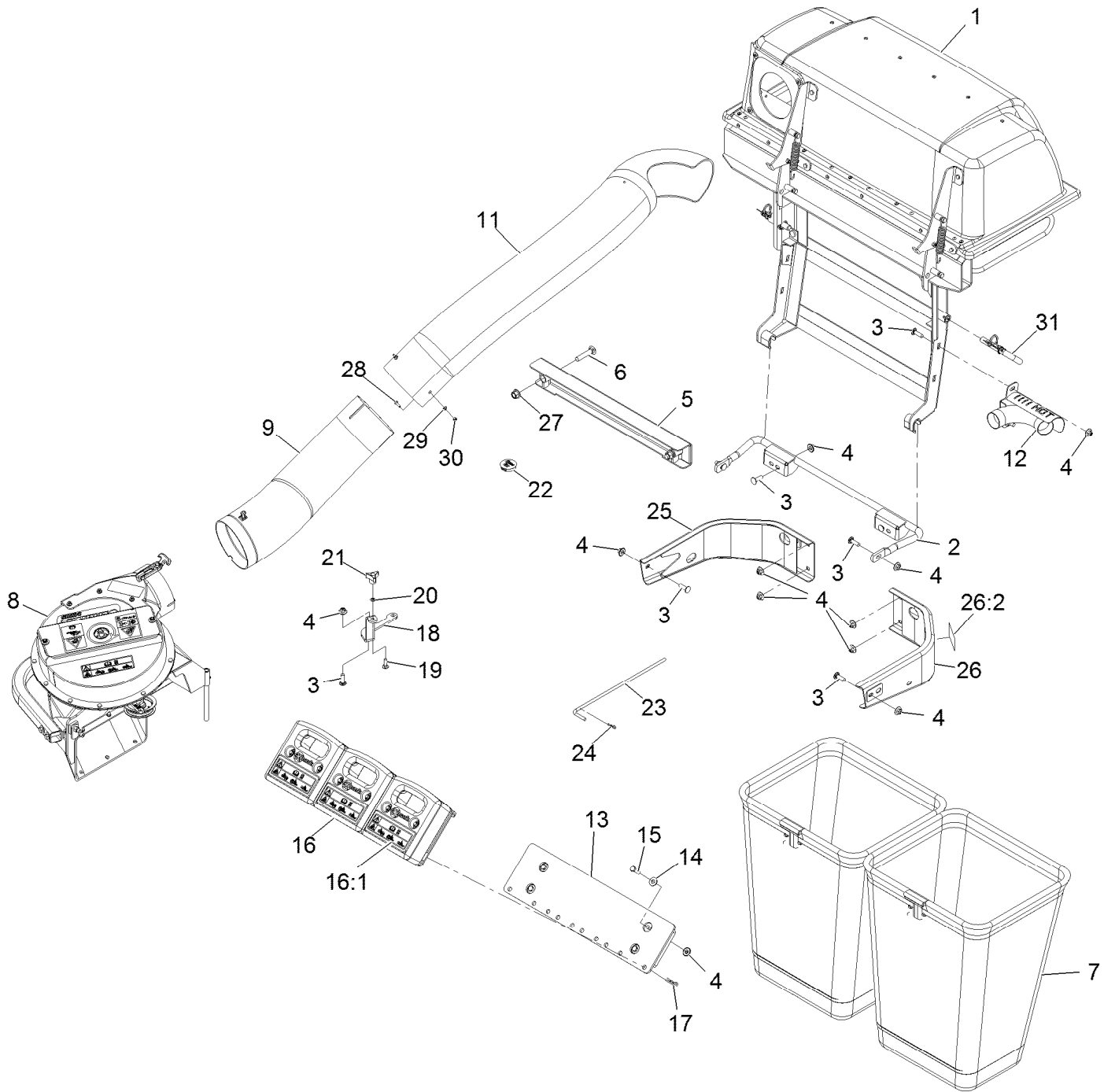


If your Exmark dealer does not have the Exmark part in stock, Exmark will get the parts to the dealer the next business day or the part will be FREE Guaranteed!! (Some restrictions apply. See your participating Exmark Dealer for details.)

## Contents

LZUV2B Assembly.....	4
Hood and Frame Assembly .....	6
Hood Assembly No. 1-654597.....	8
Bag Support Frame Assembly No. 103-5166 .....	10
Bag Assembly No. 116-0754 .....	12
Blower Assembly No. 109-9832 .....	14
Idler Assembly .....	16
Lower Tube Assembly No. 109-2043 .....	18
Completing Kit No. 109-9622.....	20
Completing Kit No. 109-9623.....	22
Completing Kit No. 109-9624.....	24
Completing Kit No. 109-9625.....	26
Completing Kit No. 116-2084 .....	28
Completing Kit No. 116-2085 .....	30

# LZUV2B Assembly



## LZUV2B Assembly (continued)

<i>Ref.</i>	<i>Part Number</i>	<i>Qty.</i>	<i>Description</i>	<i>Ref.</i>	<i>Part Number</i>	<i>Qty.</i>	<i>Description</i>
1		1	ASM,Hood Uv 2-Bag ●	16:1	126-4661	1	Decal-Warning Weight
2	109-9248	1	Mount-Bagger, Lower	17	9335124	6	Hairpin-Cotter
3	3231-28	10	Bolt-Carriage 3/8-16 X 1 1/4	18	116-0161-01	1	Bracket, Small Uv Belt Cover
4	109-6658	18	Nut-Nyloc 3/8-16 Flg	19	3230-2	1	Bolt-Carriage 5/16-18 X 1
5	116-0473-03	1	Mount-Bagger, Upper	20	109-5667	1	Ring-Bolt Retaining
6	3233-34	2	Bolt-Carriage 1/2-13 X 2 1/2	21	1-323385	1	Knob-3 Prong
7	116-0754	2	Bag And Frame ASM	22	103-1279	1	Plug
8	109-9832	1	ASM, Blower Small - Svc Only	23	109-3458	1	Pin, Chute Pivot
9	109-2043	1	Lower Tube ASM	24	1-806003	1	Hairpin-Cotter
11	109-2036	1	Tube-Upper	25	116-0057-03	1	Bumper-RH
12	116-2804	1	Exhaust Diverter ASM	26	116-0180	1	LH Bumper ASM
13	116-1129-01	1	Wld, Mount Toeboard Weight	26:2	106-5517	1	Decal-Warning
14	3256-4	4	Washer-3/8 Std	27	99-5107	2	Nut-Lock 1/2-13
15	323-7	4	Screw-HH 3/8-16 X 1 1/4	28	32105-13	3	Screw-HWH #10-24 X 3/4
16	103-6363	3	Asm, Weight (103-6364-01) W/Decals	29	3256-14	3	Washer-#10 Std
				30	3296-2	3	Nut-Nyloc #10-24
				31	116-0458	2	Pin-Mount, Bagger

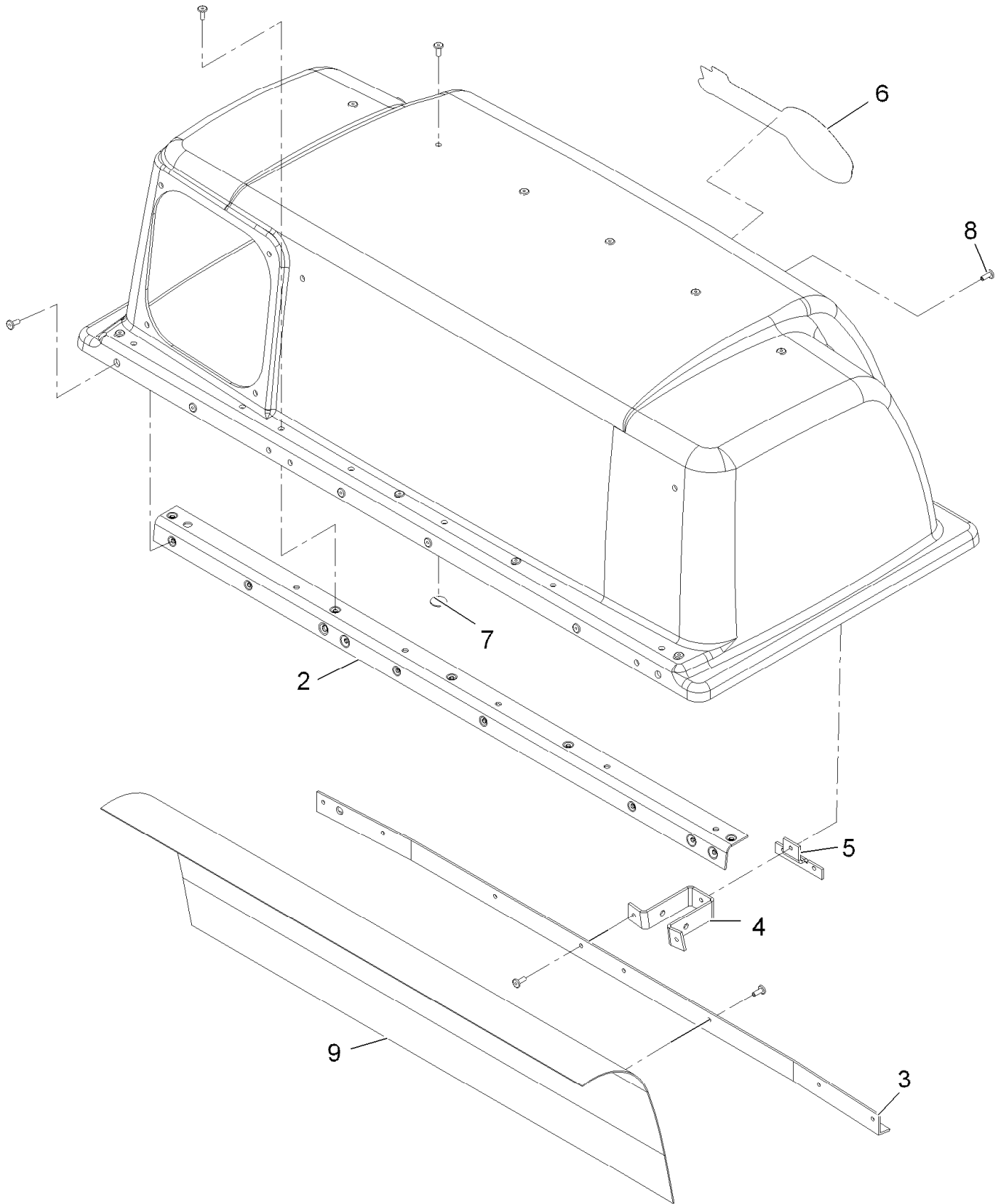
● Not serviced separately



## Hood and Frame Assembly (continued)

<i>Ref.</i>	<i>Part Number</i>	<i>Qty.</i>	<i>Description</i>	<i>Ref.</i>	<i>Part Number</i>	<i>Qty.</i>	<i>Description</i>
1	1-513658	2	Bumper	17	321-4	6	Screw-HH 1/4-20 X 3/4
2	1-633545	2	Spacer	18	321-6	2	Screw-HH 1/4-20 X 1
3	1-652395-03	2	Hinge ASM	19	3256-2	2	Washer-1/4 Std
4	1-653036	2	Washer	20	3256-61	4	Washer
5	1-653403	1	Latch	21	3274-55	4	Screw-Button Head 5/16-18 X 3/4
6	1-653425	1	Seal	22	3296-2	10	Nut-Nyloc #10-24
7	1-653528-03	1	Plate-Backing	23	3296-42	3	Nut-Nyloc 1/4-20
8	1-653544	2	Spring-Extension	24	3250-27	4	Screw-PPH #10-24 X 7/8
9	1-654597	1	Hood Assembly - Service Only	25	32128-33	6	Nut-Whizlock 1/4-20
10	1-803075	6	Screw-Truss Head #10-24 X 3/4	26	114439	7	Rivet
12	103-5166	1	Bag Support ASM	27	1-653561	1	Seal-Chute
15	109-8705-03	1	Frame-Bag, Twin	28	1-653598-03	1	Clamp-Seal
16	321-11	1	Screw-HH 1/4-20 X 2	29	133-8061	1	Decal-Warning

# Hood Assembly No. 1-654597

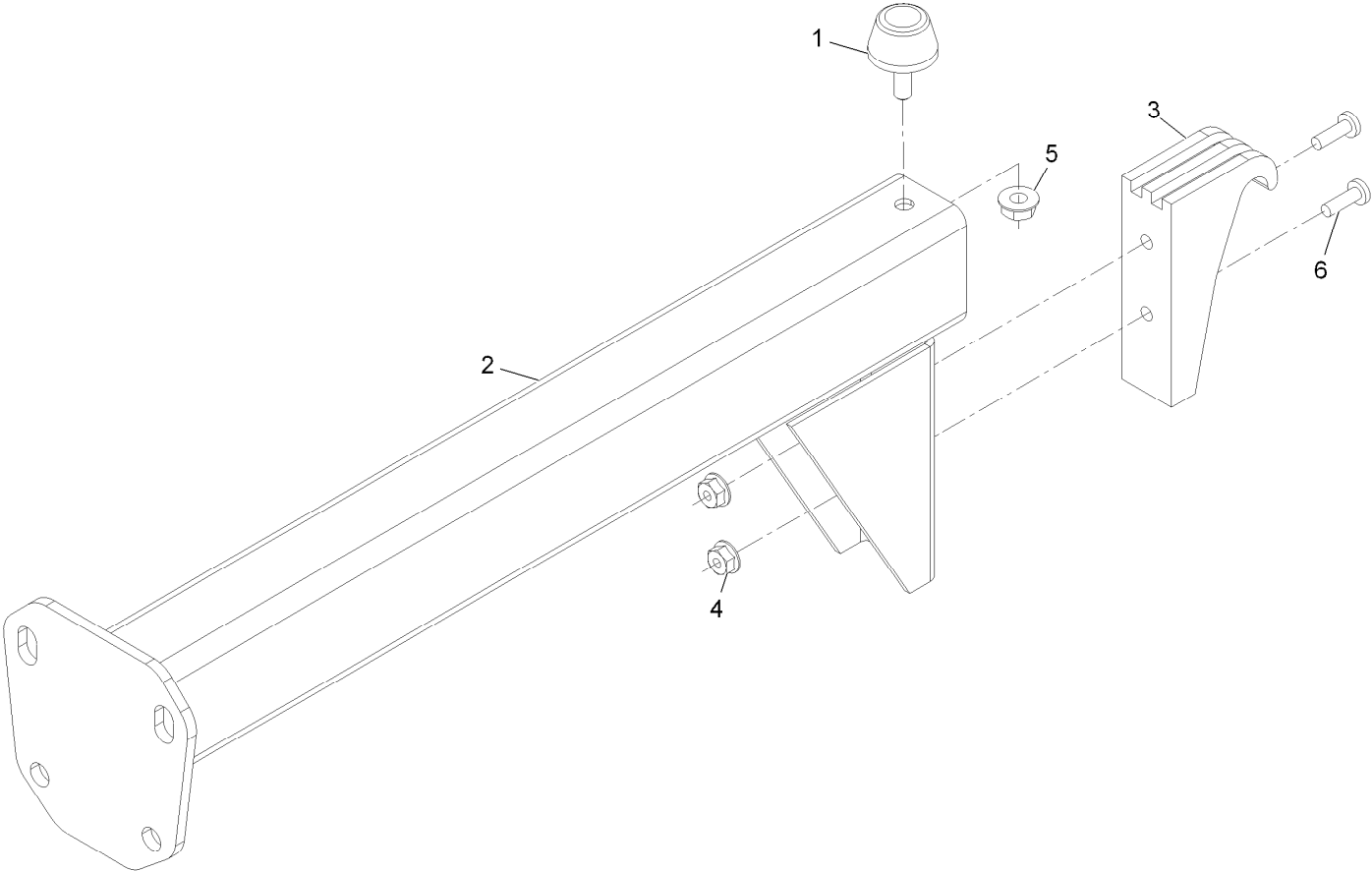


# Hood Assembly No. 1-654597 (continued)

<i>Ref.</i>	<i>Part Number</i>	<i>Qty.</i>	<i>Description</i>
2	1-653397-03	1	Stiffener-Bagger, Top
3	1-653400-03	1	Support-Screen
4	1-653519	1	Anchor-Latch
5	1-653535	1	Reinforcement-Latch

<i>Ref.</i>	<i>Part Number</i>	<i>Qty.</i>	<i>Description</i>
6	126-6991	1	Decal-Exmark Logo
7	3256-61	10	Washer
8	114439	31	Rivet
9	114967	1	Screen-Bagger

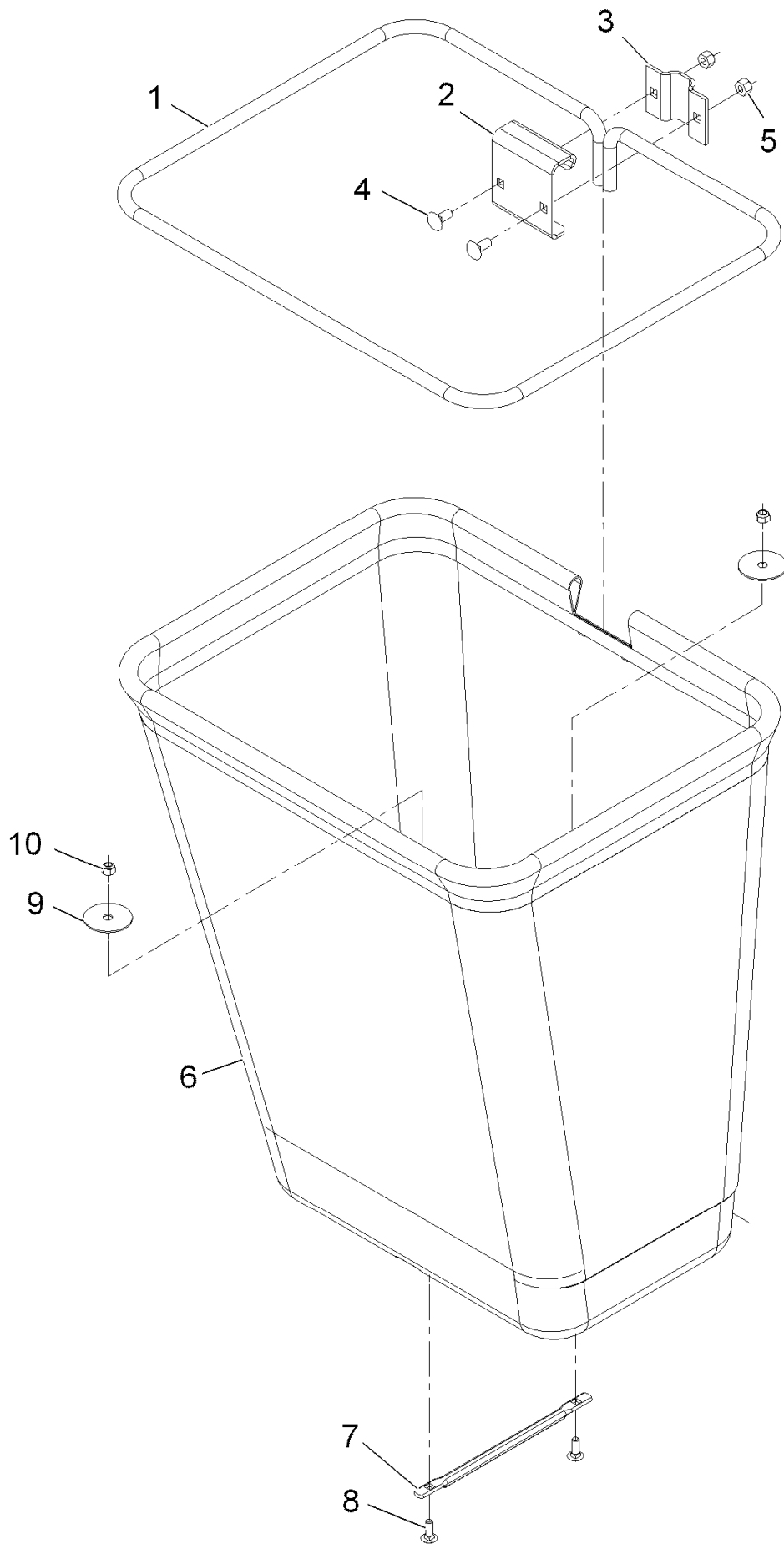
# Bag Support Frame Assembly No. 103-5166



# Bag Support Frame Assembly No. 103-5166 (continued)

<i>Ref.</i>	<i>Part Number</i>	<i>Qty.</i>	<i>Description</i>	<i>Ref.</i>	<i>Part Number</i>	<i>Qty.</i>	<i>Description</i>
1	1-523420	1	Bumper	4	3290-148	2	Nut-Whizlock #10-24
2	103-5124-03	1	Support-Bag	5	32128-33	1	Nut-Whizlock 1/4-20
3	1-653404	1	Catch	6	3290-500	2	Screw-PPH #10-24 X 5/8

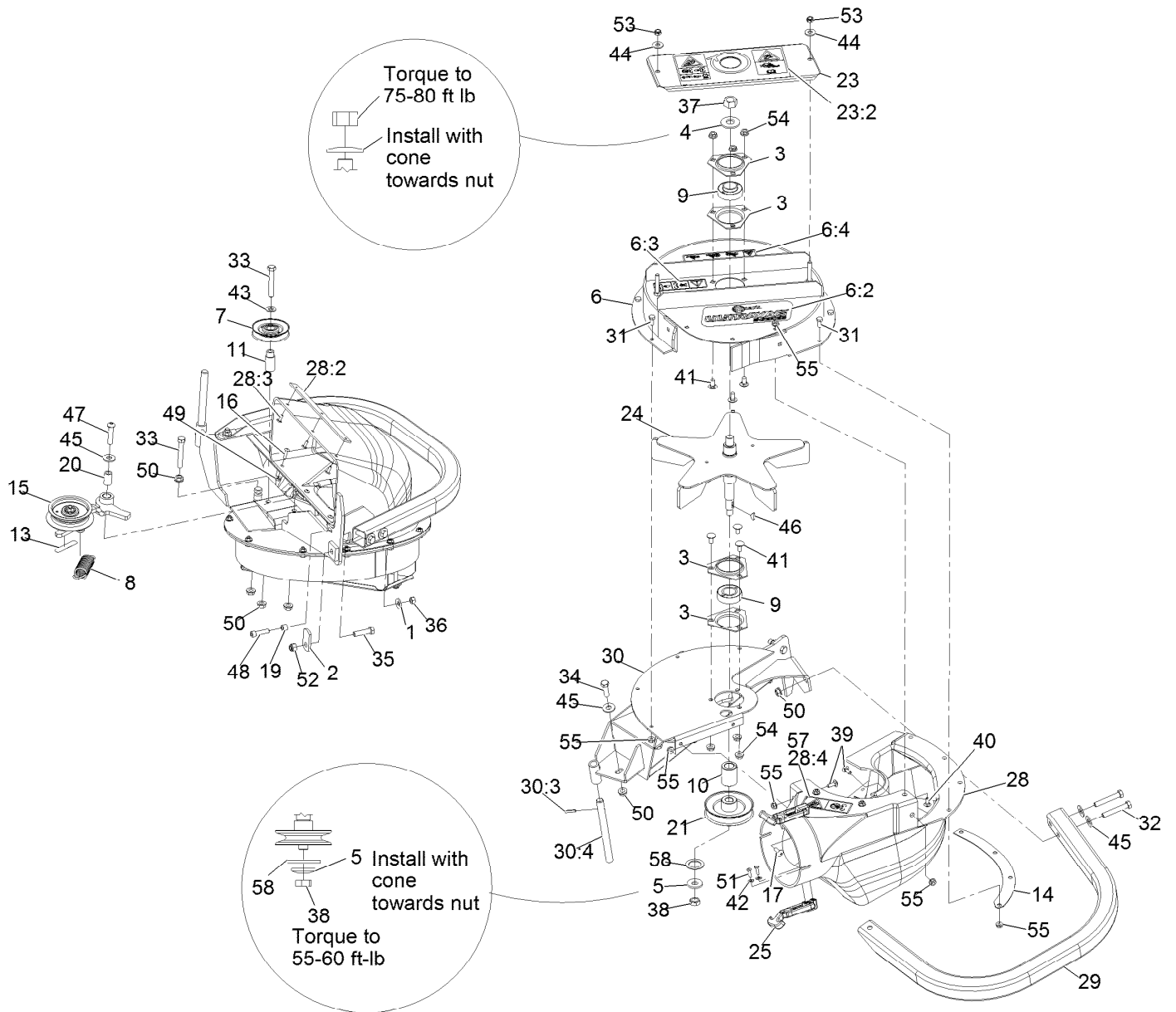
# Bag Assembly No. 116-0754



## Bag Assembly No. 116-0754 (continued)

<i>Ref.</i>	<i>Part Number</i>	<i>Qty.</i>	<i>Description</i>	<i>Ref.</i>	<i>Part Number</i>	<i>Qty.</i>	<i>Description</i>
1	1-653529-03	1	Frame-Bag	6	116-0757	1	Bag
2	114973-03	1	Hanger-Bag	7	1-653566	1	Handle-Bag
3	114974-03	1	Clamp	8	3229-1	2	Bolt-Carriage 1/4-20 X 3/4
4	3230-1	2	Bolt-Carriage 5/16-18 X 3/4	9	1-653036	2	Washer
5	3296-29	2	Nut-Nyloc 5/16-18	10	3296-42	2	Nut-Nyloc 1/4-20

# Blower Assembly No. 109-9832



## Blower Assembly No. 109-9832 (continued)

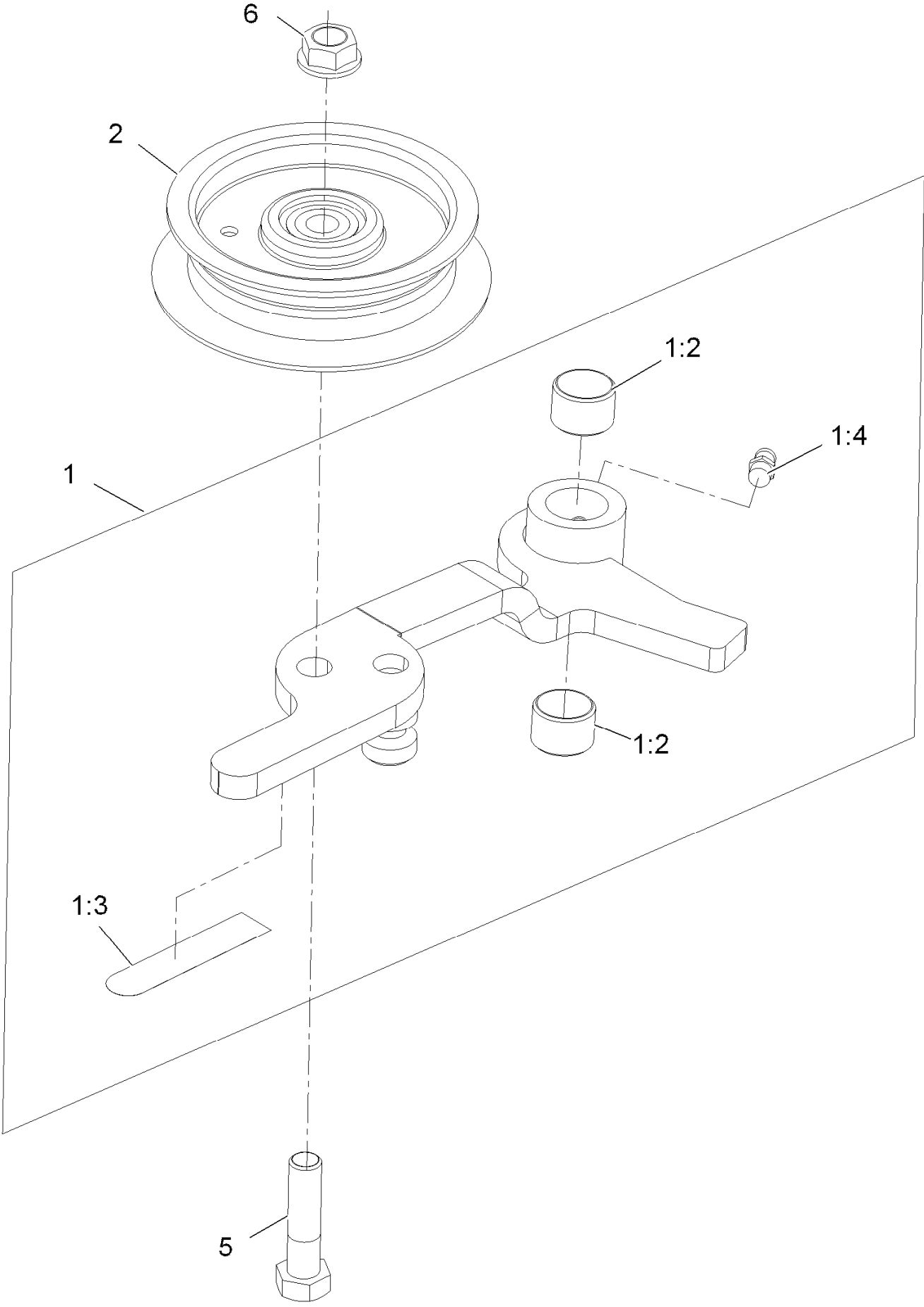
<i>Ref.</i>	<i>Part Number</i>	<i>Qty.</i>	<i>Description</i>	<i>Ref.</i>	<i>Part Number</i>	<i>Qty.</i>	<i>Description</i>
1	1-303334	1	Washer-Spring Disc 5/16	29	109-1122-01	1	Bumper
2	1-353054	1	Latch-Catcher, Grass	30	109-9362-03	1	Weld, Frame Sm Blower
3	1-513013	4	Housing-Flange	30:3	1-806323	1	Rollpin 3/16 X 7/8
4	1-513208	1	Washer-Spring Disc 5/8	30:4	1-353050	1	Shaft-Catcher, Grass
5	1-513435	1	Washer-Spring Disc 1/2	31	321-3	8	Screw-HH 1/4-20 X 5/8
6	116-4817	1	ASM-Upper Housing Small	32	323-11	2	Screw-HH 3/8-16 X 2 1/4
6:2	126-7211	1	Decal-Ultravac S-Series	33	323-12	2	Screw-HH 3/8-16 X 2 1/2
6:3	112-9028	1	Decal-Cover, Missing	34	323-7	1	Screw-HH 3/8-16 X 1 1/4
6:4	126-4661	1	Decal-Warning Weight	35	323-8	1	Screw-HH 3/8-16 X 1 1/2
7	1-653322	1	Idler-Inside	36	3217-6	1	Nut-Hex 5/16-18
8	1-653331	1	Spring	37	3219-6	1	Nut-Hex 5/8-18
9	1-653346	2	Bearing ▲	38	3220-5	1	Nut-Jam 1/2-20
10	1-653365	1	Spacer	39	3229-1	2	Bolt-Carriage 1/4-20 X 3/4
11	1-653366	1	Spacer	40	3229-11	3	Bolt-Carriage 1/4-20 X 5/8
13	126-4659	1	Decal-Warning	41	3230-18	6	Bolt-Carriage 5/16-18 X 5/8
14	1-653596-03	1	Plate-Backing, Blower	42	3256-14	4	Washer-#10 Std
15		1	ASM, Idler ●	43	3256-24	1	Washer-3/8 SAE
16	1-803075	3	Screw-Truss Head #10-24 X 3/4	44	3256-3	2	Washer-5/16 Std
17	1-803076	2	Screw-PPH 1/4-20 X 3/4	45	3256-4	4	Washer-3/8 Std
19	103-0126	1	Bushing	46	3257-32	1	Key-Woodruff 3/16 X 5/8
20	103-0130	1	Bushing-Pivot, Idler	47	3274-107	1	Screw-Button Head 3/8-16 X 1 3/4
21	103-1047	1	Sheave-Blower ▲	48	3274-18	1	Screw-Sh 5/16-18 X 1 1/4
23	103-3585	1	Cover, Bearing	49	3290-148	3	Nut-Whizlock #10-24
23:2	126-4584	1	Decal-Warning	50	3290-357	7	Nut-Whizlock 3/8-16
24	103-3815	1	Impeller	51	3290-500	4	Screw-PPH #10-24 X 5/8
25	103-4080	2	Latch-Rubber ■	52	3296-39	1	Nut-Nyloc 3/8-16
28	109-1985	1	Chute, Blower (46, 50 And 56)	53	3296-47	2	Nut-Nyloc 5/16-18 Thin
28:2	103-4752-03	1	Plate-Reinforcing	54	32128-20	6	Nut-Whizlock 5/16-18
28:3	114439	3	Rivet	55	32128-33	15	Nut-Whizlock 1/4-20
28:4	126-4853	1	Decal-Warning	57	126-4853	1	Decal-Warning
				58	1-523157	1	Washer

● Not serviced separately

■ Kit No. 103-4188 - Contains catch, rubber latch, and mounting hardware

▲ Apply Mobil HTS grease (P/N 103-5217 1.5 oz packet) (or a food-grade anti-seize). See operator s manual for locations.

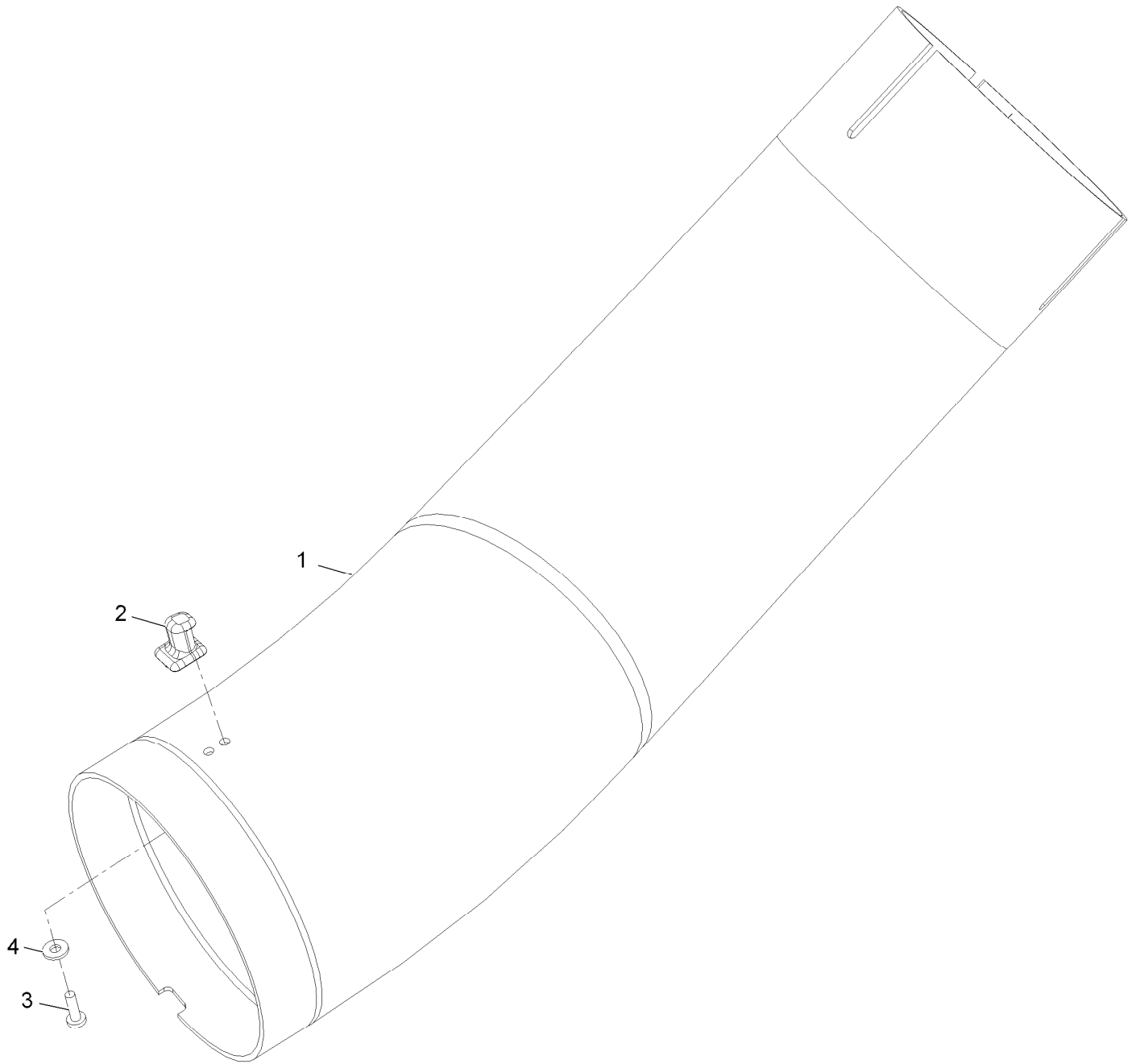
# Idler Assembly



## Idler Assembly (continued)

<i>Ref.</i>	<i>Part Number</i>	<i>Qty.</i>	<i>Description</i>	<i>Ref.</i>	<i>Part Number</i>	<i>Qty.</i>	<i>Description</i>
1	103-2876	1	Idler Assy With Bushings, Zerk, And Decal	1:4	302-19	1	Zerk-1/4-28 Str
1:2	1-653600	2	Bearing	2	103-1103	1	Idler-Flat
1:3	126-4659	1	Decal-Warning	5	323-8	1	Screw-HH 3/8-16 X 1 1/2
				6	3290-357	1	Nut-Whizlock 3/8-16

# Lower Tube Assembly No. 109-2043

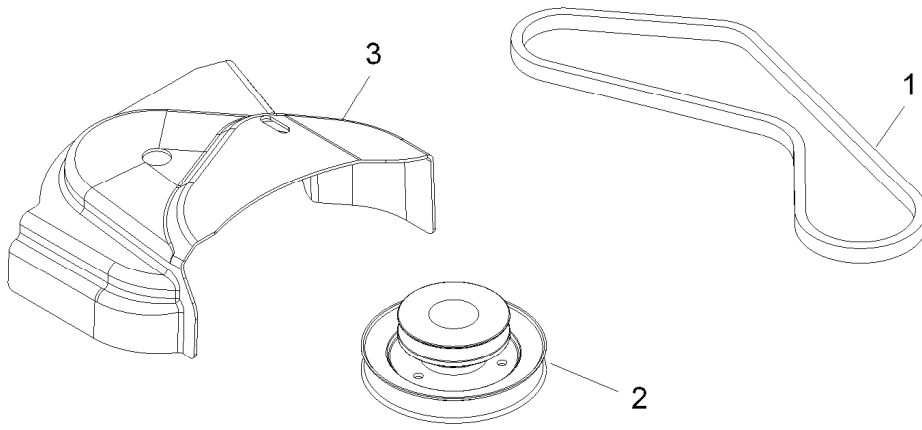


## Lower Tube Assembly No. 109-2043 (continued)

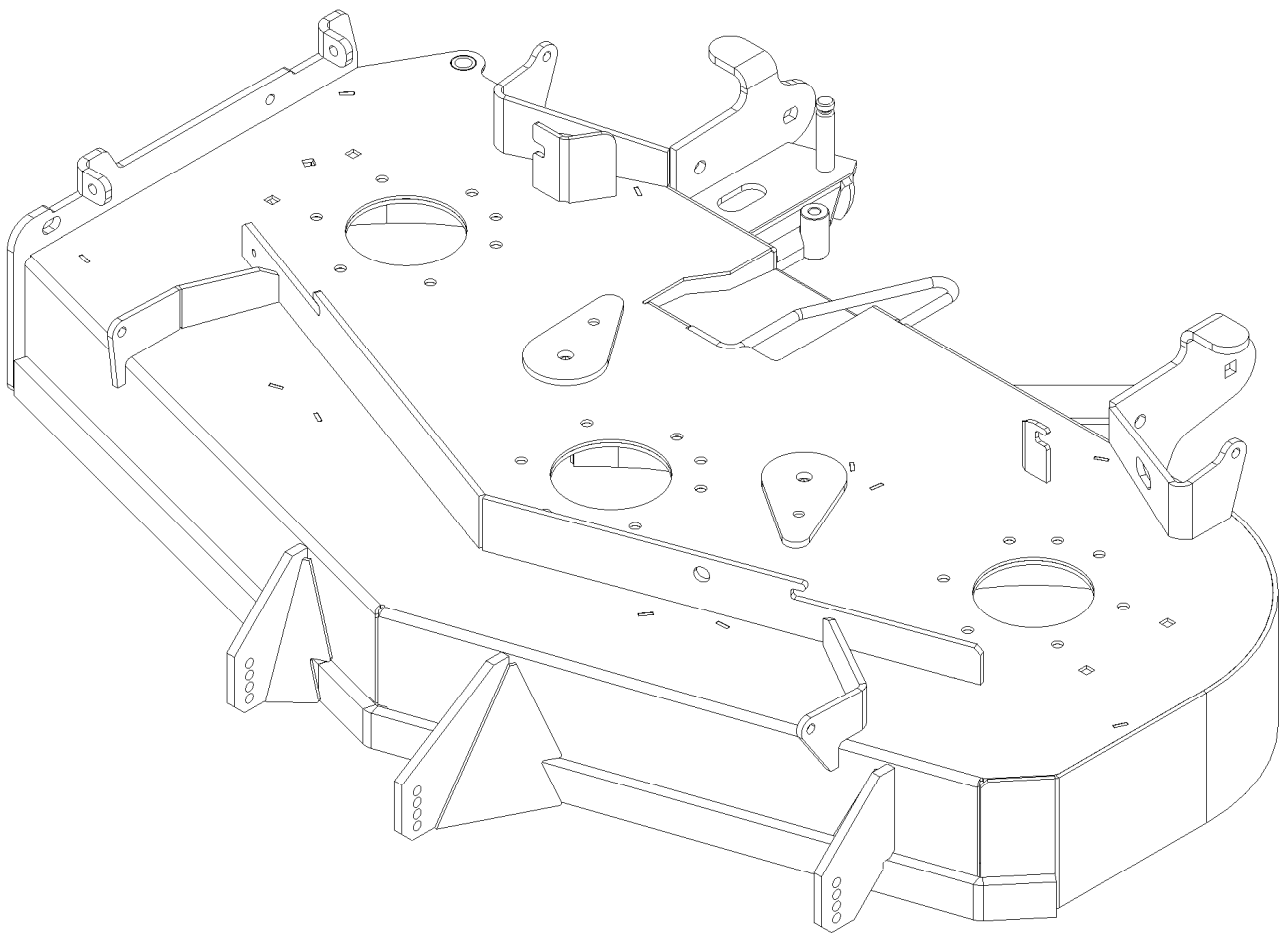
<i>Ref.</i>	<i>Part Number</i>	<i>Qty.</i>	<i>Description</i>	<i>Ref.</i>	<i>Part Number</i>	<i>Qty.</i>	<i>Description</i>
1	109-2038	1	Tube-Lower, Short	3	3290-500	2	Screw-PPH #10-24 X 5/8
2	103-4081	2	Latch-Keeper ●	4	3256-14	2	Washer-#10 Std

● Kit No. 103-4188 - Contains catch, rubber latch, and mounting hardware

# Completing Kit No. 109-9622



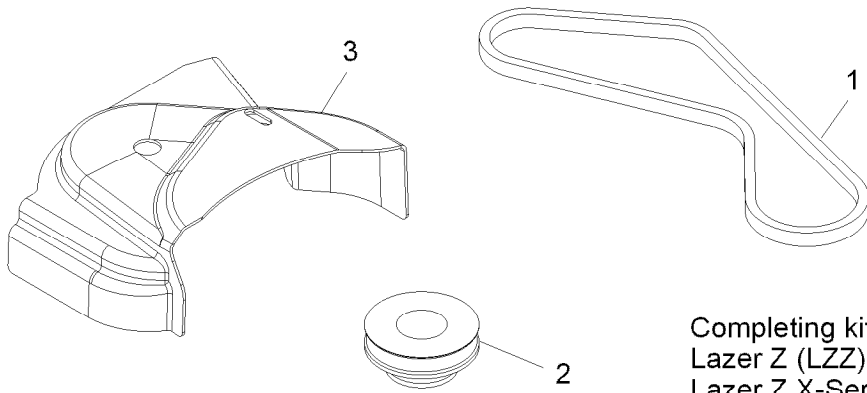
Completing kit fits all  
Lazer Z Advantage Series (LZAS)  
Serial Nos. 790,000-919,999  
with 48 inch decks



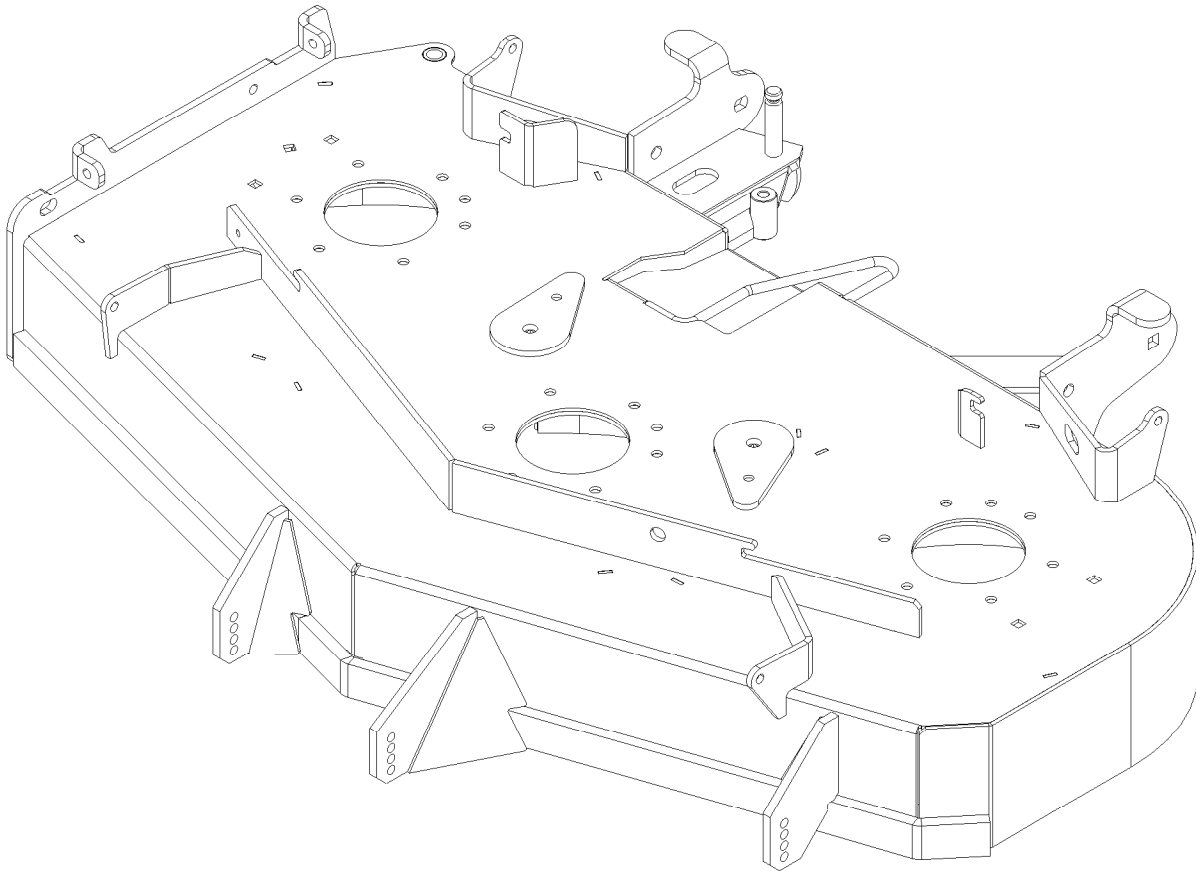
## Completing Kit No. 109-9622 (continued)

<i>Ref.</i>	<i>Part Number</i>	<i>Qty.</i>	<i>Description</i>
1	1-653333	1	Belt, Blower (48")
2	116-1649	1	Jackshaft,Uv Drive 484
3	109-9382	1	Cover,Belt Uv 48

# Completing Kit No. 109-9623



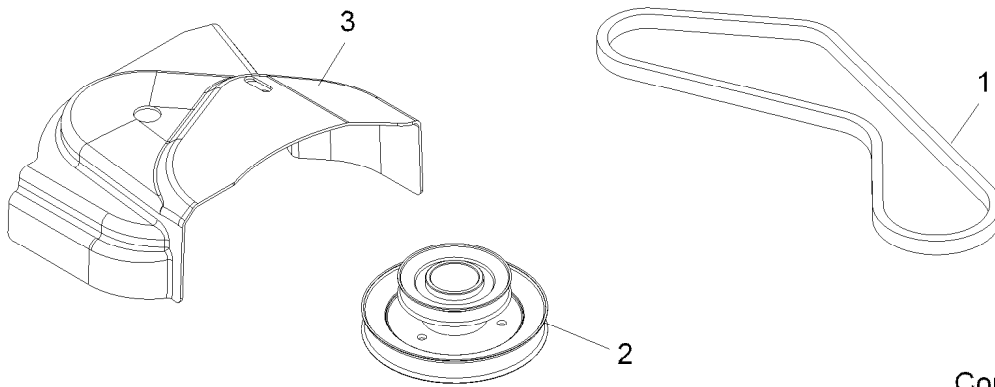
Completing kit fits all  
Lazer Z (LZZ) Serial Nos. 790,000-919,999 and  
Lazer Z X-Series (LZX) Serial Nos. 920,000 and Higher  
with 48 inch decks



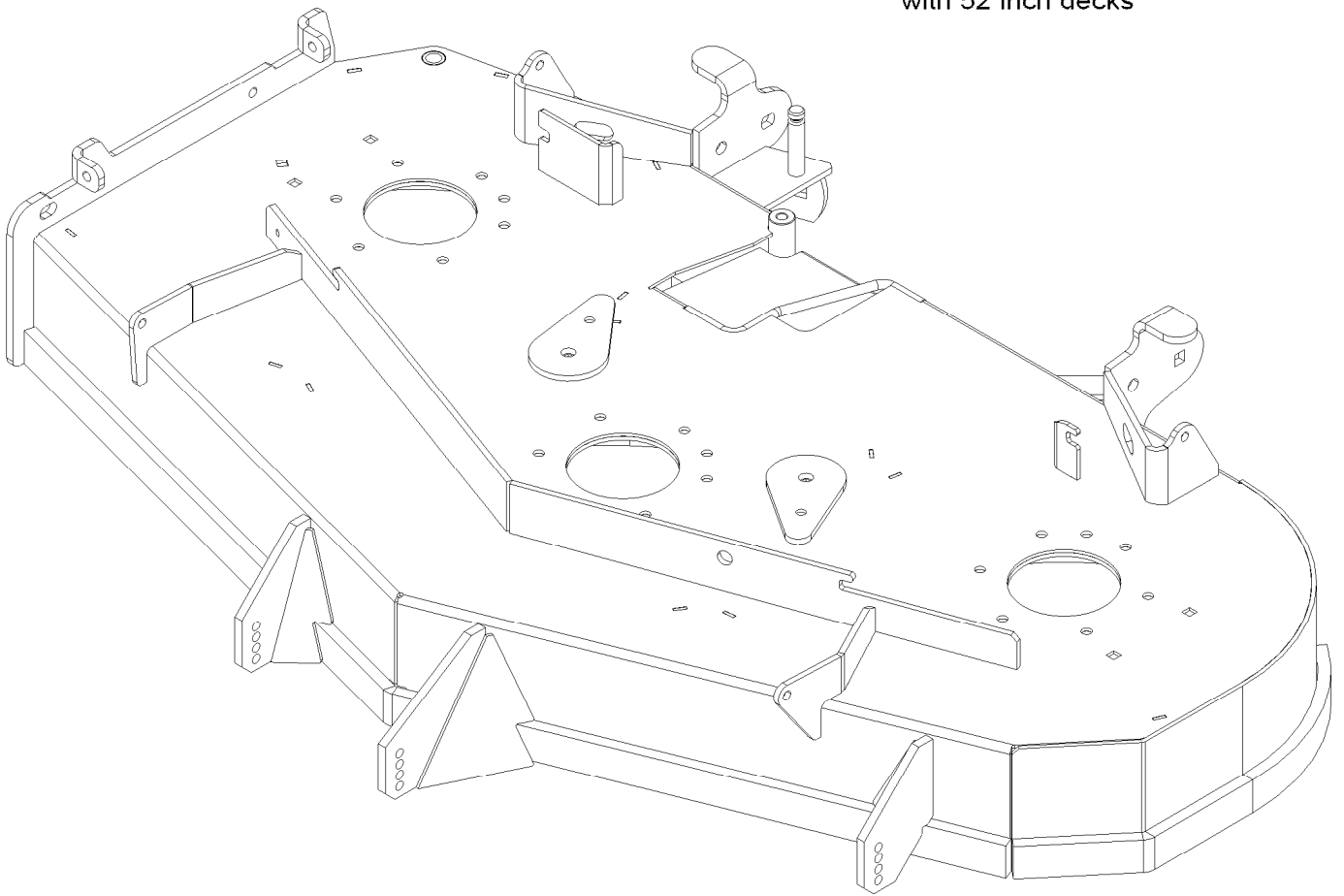
## Completing Kit No. 109-9623 (continued)

<i>Ref.</i>	<i>Part Number</i>	<i>Qty.</i>	<i>Description</i>
1	1-653333	1	Belt, Blower (48")
2	109-9631	1	Blade, Extreme 72
3	109-9382	1	Cover,Belt Uv 48

# Completing Kit No. 109-9624



Completing kit fits all  
Lazer Z Advantage Series (LZAS)  
Serial Nos. 790,000-919,999  
with 52 inch decks



## Completing Kit No. 109-9624 (continued)

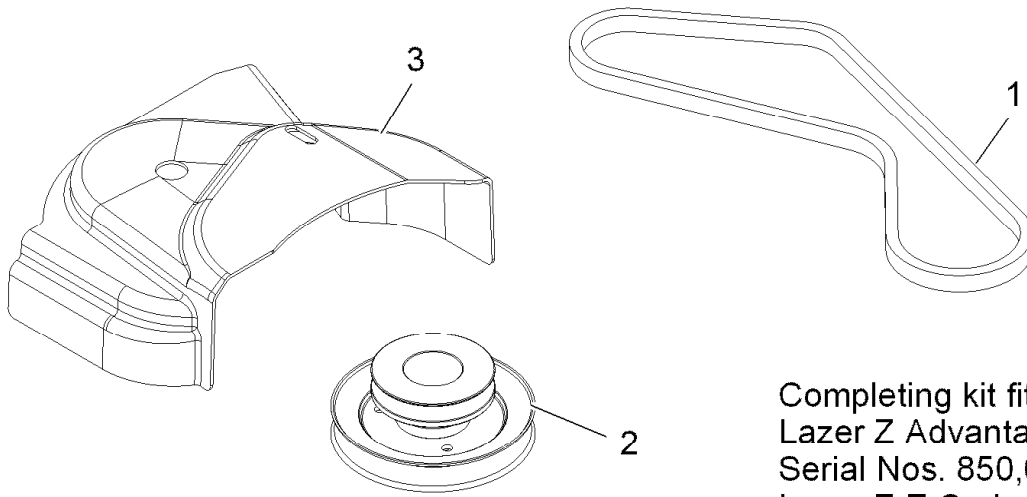
<i>Ref.</i>	<i>Part Number</i>	<i>Qty.</i>	<i>Description</i>
1	1-653438	1	Belt, Blower Drive 52
2	109-9632	1	Sheave
3	109-8487	1	Cover,Belt Uv 52



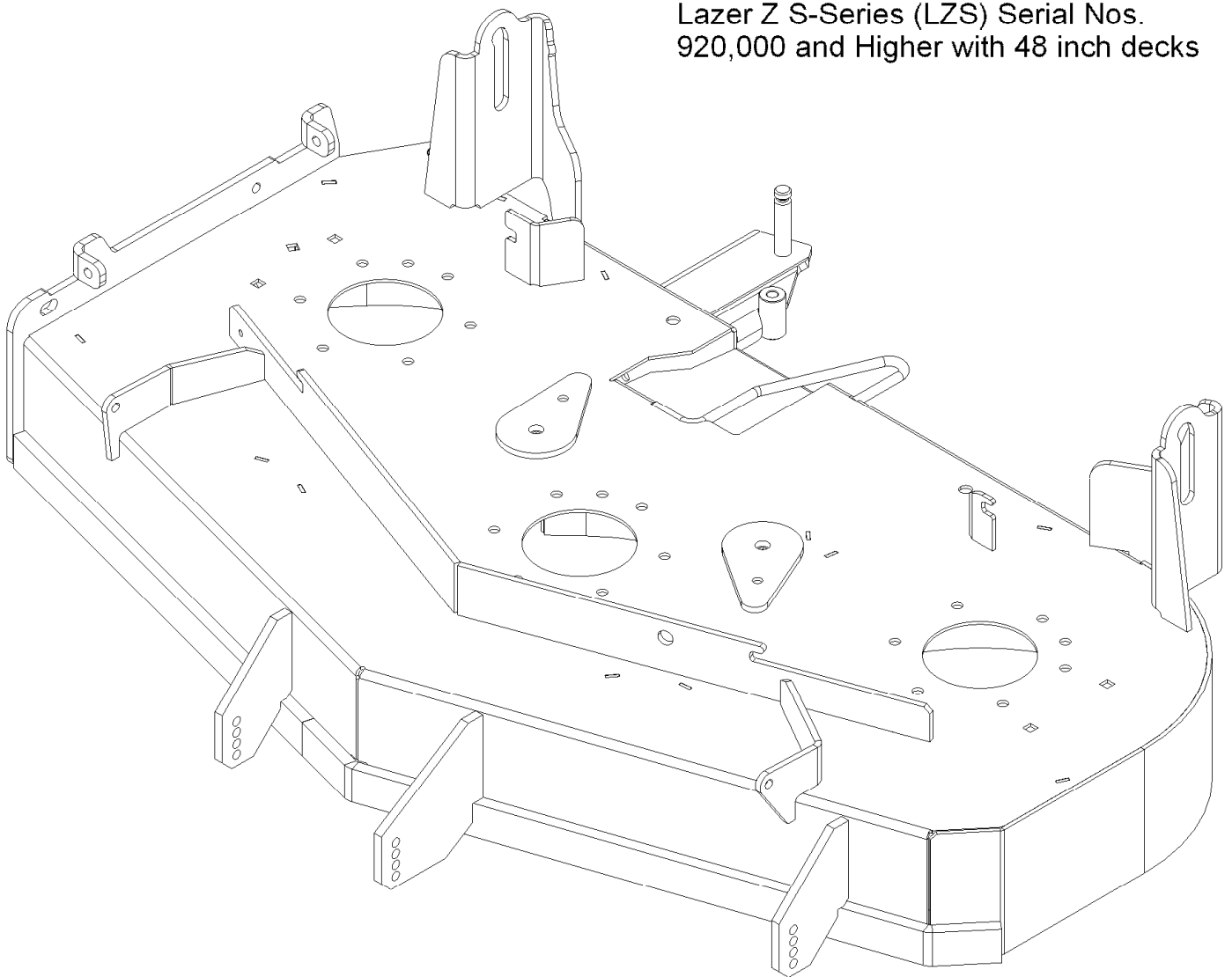
## Completing Kit No. 109-9625 (continued)

<i>Ref.</i>	<i>Part Number</i>	<i>Qty.</i>	<i>Description</i>
1	1-653438	1	Belt, Blower Drive 52
2	109-9633	1	Sheave, Drive Lzuv 526
3	109-8487	1	Cover, Belt Uv 52

# Completing Kit No. 116-2084



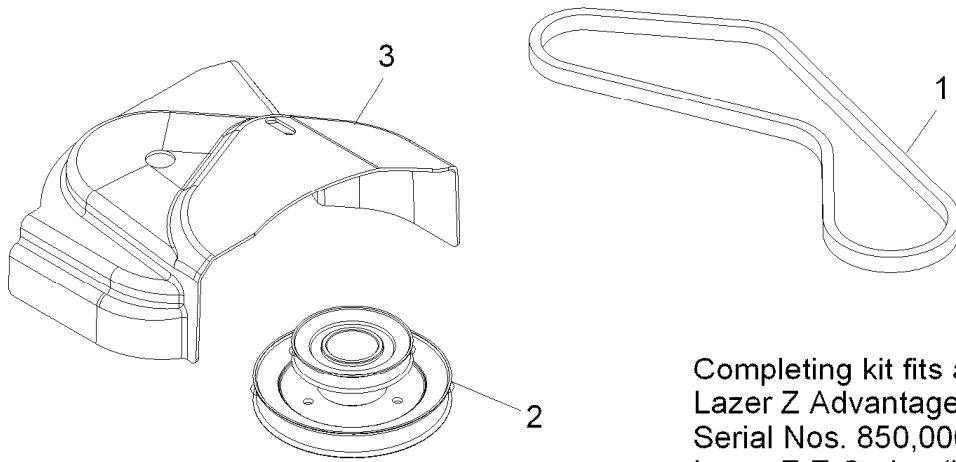
Completing kit fits all  
Lazer Z Advantage Series (LZA)  
Serial Nos. 850,000-919,999 and  
Lazer Z E-Series (LZE) and  
Lazer Z S-Series (LZS) Serial Nos.  
920,000 and Higher with 48 inch decks



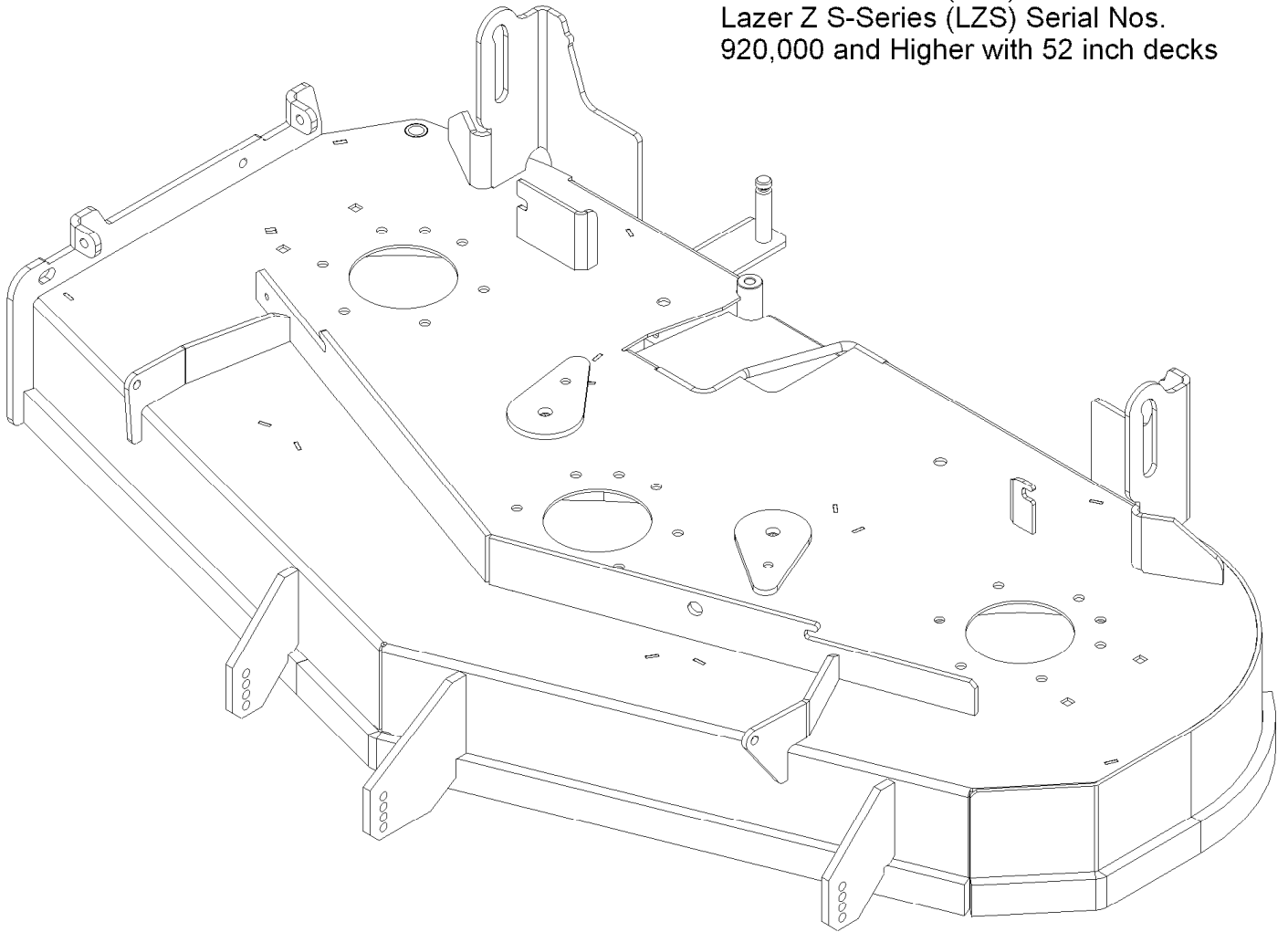
## Completing Kit No. 116-2084 (continued)

<i>Ref.</i>	<i>Part Number</i>	<i>Qty.</i>	<i>Description</i>
1	1-653333	1	Belt, Blower (48")
2	116-2088	1	Jackshaft-Uv Drive, 484 Splined
3	109-9382	1	Cover,Belt Uv 48

# Completing Kit No. 116-2085



Completing kit fits all  
Lazer Z Advantage Series (LZA)  
Serial Nos. 850,000-919,999 and  
Lazer Z E-Series (LZE) and  
Lazer Z S-Series (LZS) Serial Nos.  
920,000 and Higher with 52 inch decks



## Completing Kit No. 116-2085 (continued)

<i>Ref.</i>	<i>Part Number</i>	<i>Qty.</i>	<i>Description</i>
1	1-653438	1	Belt, Blower Drive 52
2	116-2089	1	Jackshaft,Uv Drive 524 Splined
3	109-8487	1	Cover,Belt Uv 52

## EXMARK ACCESSORIES AND OPTIONS\*

### MID-MOUNT RIDING ACCESSORIES AND OPTIONS

CUSTOM RIDE SEAT SUSPENSION SYSTEM	OPERATOR CONTROLLED DISCHARGE
FULL SUSPENSION SEAT	SUN SHADE
DECK LIFT ASSIST KIT	TRASH CONTAINER
HITCH KIT	TURF STRIPER
LIGHT KIT	ULTRA VAC COLLECTION SYSTEM
12V POWER PORT	ULTRA VAC QUICK DISPOSAL SYSTEM
MICRO-MULCH SYSTEM	

### OUT-FRONT RIDING ACCESSORIES AND OPTIONS

CUSTOM RIDE SEAT SUSPENSION SYSTEM	SNOW BLADE
DUAL-TAIL WHEEL	SNOWBLOWER
FLOOR PAN EXTENDER	SUN SHADE
HITCH KIT	TRASH CONTAINER
LIGHT KIT	ULTRA VAC COLLECTION SYSTEM
MICRO-MULCH SYSTEM	ULTRA VAC QUICK DISPOSAL SYSTEM
ROLL OVER PROTECTION SYSTEM (ROPS)	WEATHER CAB

### WALK-BEHIND ACCESSORIES AND OPTIONS

GRASS CATCHER	TURF STRIPER
MICRO-MULCH SYSTEM	STANDON

\*Some accessories and options not available for some models.

Place Model No. and Serial No.  
Label Here (Included in the Literature  
Pack) or Fill in Below

Model No. \_\_\_\_\_

Serial No. \_\_\_\_\_

Date Purchased \_\_\_\_\_

Engine Model No. and Spec. No. \_\_\_\_\_

Engine Serial No. (E/No) \_\_\_\_\_

© 2018 Exmark Mfg. Co., Inc.  
2101 Ashland Ave  
Beatrice, NE 68310  
All Rights Reserved

Part No. 4504-236 Rev. A  
(402) 223-6375  
Fax (402) 223-5489  
Printed in the USA.

