



**Count on it.**

**Parts Catalog**

**Power Clear® 721 E  
Snowthrower**

Model No. 38742—Serial No. 404310000 and Up



# Ordering Replacement Parts

To order replacement parts, please supply the part number, the quantity, and the description of each part desired.

## Understanding Reference Numbers

Each identified part in an illustration has a reference number. The reference number for a part also appears in the parts list, along with other information about the part.

This catalog uses two special reference number formats, one to indicate parts in a service assembly and another to indicate the quantity of a given part in an illustration.

## Service Assembly Reference Numbers

Parts in service assemblies have reference numbers in the form a:b. The a represents the reference number of the entire service assembly and the b represents a sequential number unique to each part within the service assembly.

For example, a wheel assembly might be identified by reference number 6, the tire by 6:1, the valve by 6:2, and the wheel by 6:3. When you order the assembly identified by reference number 6, you receive all parts identified by reference numbers 6:1, 6:2, and 6:3. However, you may also order any part individually. Reference numbers of this type appear in illustration and in parts lists.

## Reference Numbers Indicating Quantity

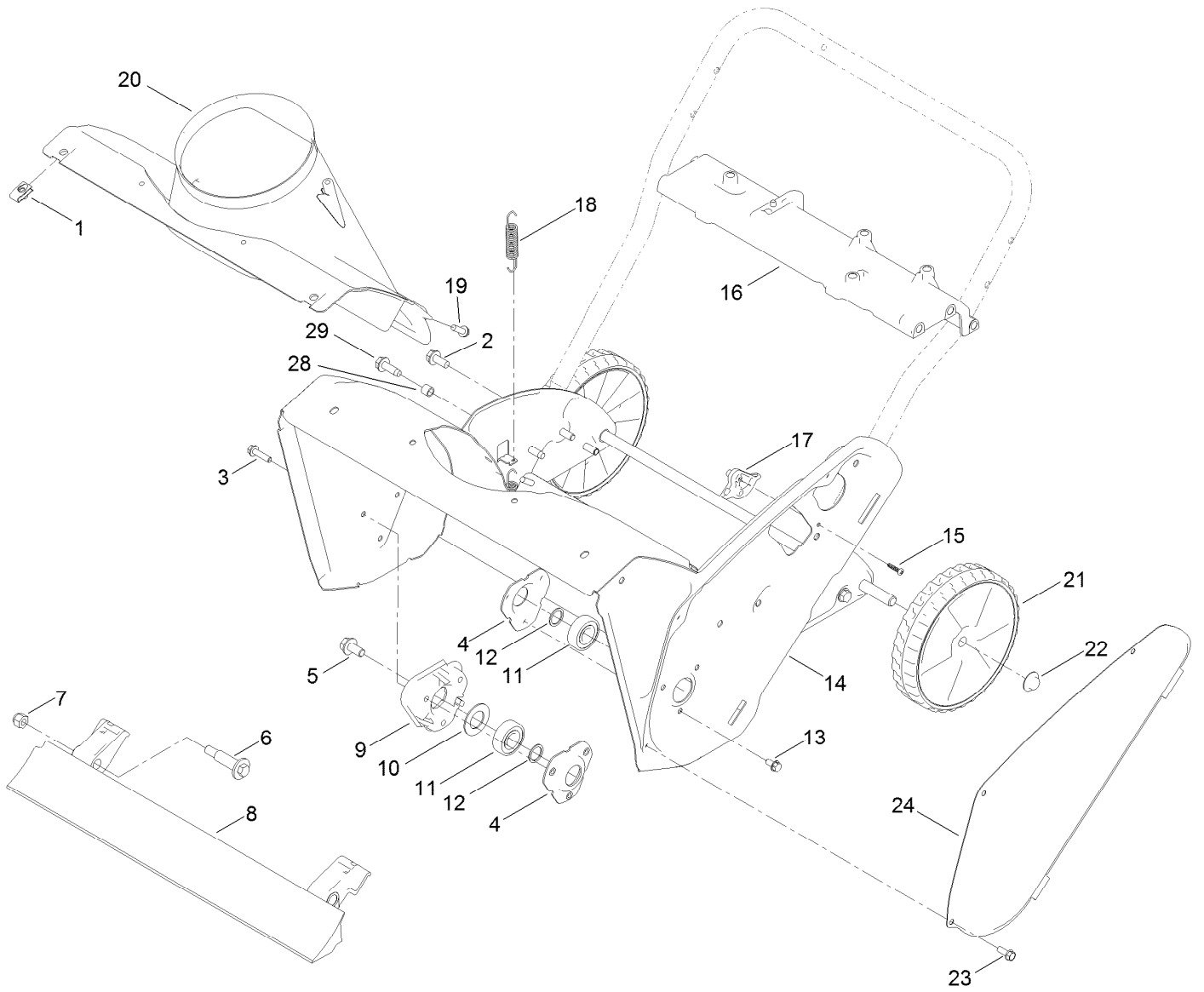
In an illustration, if a reference number indicates more than one part, the reference number has the form nX y. The n represents the quantity of the part, the X is the multiplication symbol, and the y represents the reference number.

For example, in an illustration, the reference number 2X 37 means that two of the parts identified by reference number 37 are indicated.

# Contents

Main Frame, Chute and Wheel Assembly .....	4
Rotor Drive Assembly .....	6
Rotor Assembly .....	8
Engine Assembly .....	10
Engine Assembly No. 1.....	12
Engine Assembly No. 2.....	14
Engine Assembly No. 3.....	16
Shroud and Fuel Tank Assembly .....	18
Chute Control Assembly .....	20
Discharge Chute Control Assembly.....	22
Handle Assembly .....	24
Attachments and Accessories .....	26

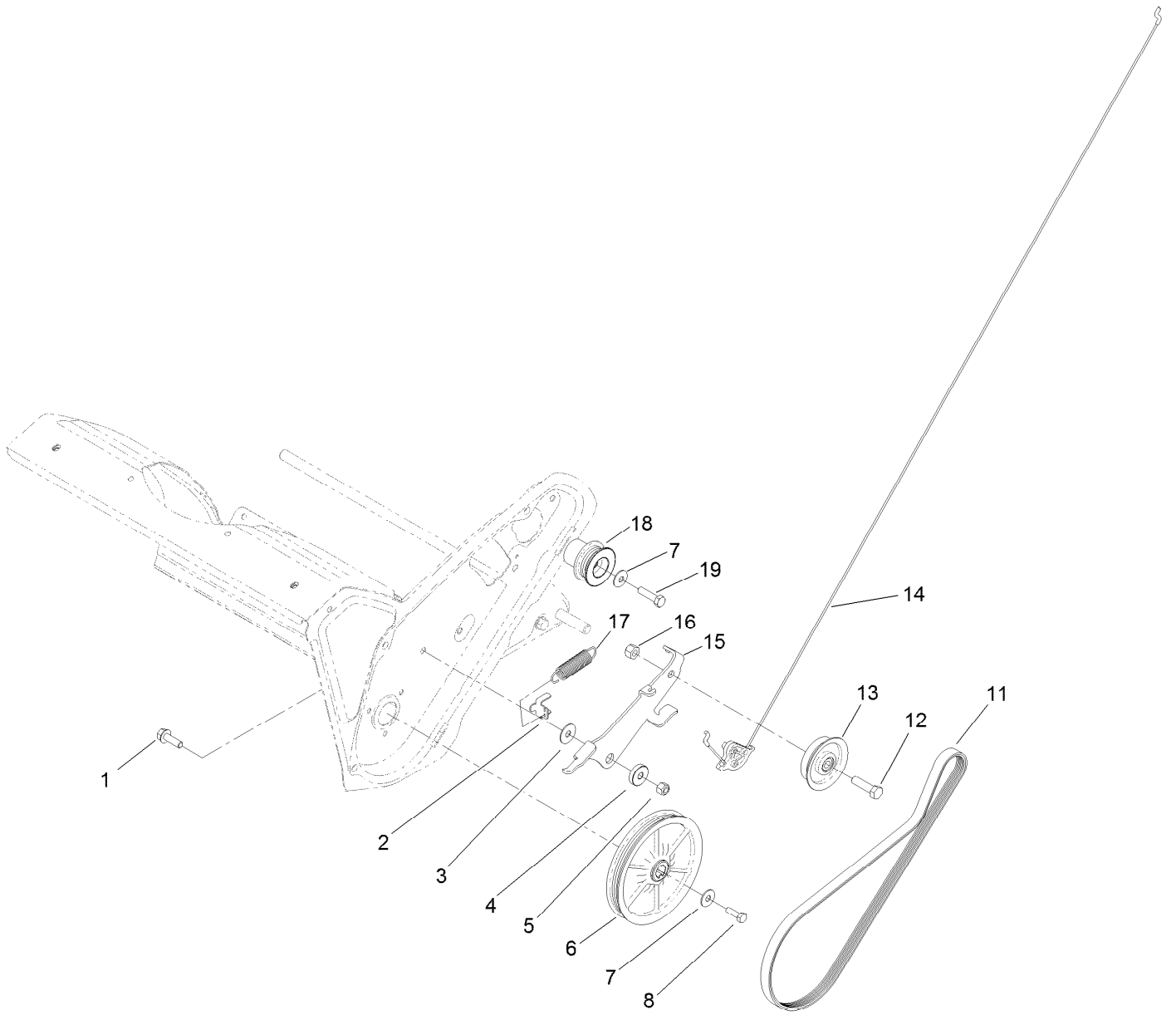
# Main Frame, Chute and Wheel Assembly



## Main Frame, Chute and Wheel Assembly (continued)

<i>Ref.</i>	<i>Part Number</i>	<i>Qty.</i>	<i>Description</i>	<i>Ref.</i>	<i>Part Number</i>	<i>Qty.</i>	<i>Description</i>
1	107069	2	Clip	14	108-4868-03	1	Housing-Auger
2	32144-11	4	Screw-HWHTF	15	94-4496	1	Screw-PPH
3	32144-86	3	Screw-HWHTF	16	130-9765	1	Brace-Frame
4	136-7134	2	Flange-Bearing	17	108-4919	1	Guide-Cable, Clutch
5	110-9380	1	Screw-HWH	18	108-4906	2	Spring-Extension
6	136-7198	2	Bolt-Shoulder	19	46-8091	3	Screw-HWH
7	3296-39	2	Nut-Lock, NI	20	108-4871	1	Chute-Lower
8	133-5585	1	Blade-Scraper	21	117-2309	2	Wheel ASM
9	114-3781	1	Spacer-Bearing, RH	22	32112-14	2	Nut-Push
10	110-9353	1	Washer-Rubber	23	32144-85	3	Screw-HWH
11	100-1048	2	Bearing-Ball	24	108-4893-03	1	Cover-Belt
12	52-7280	2	Washer-Thrust	28	136-7148	2	Spacer-Grommet
13	32144-4	3	Screw-HWH	29	130-9795	2	Screw-HWHTF

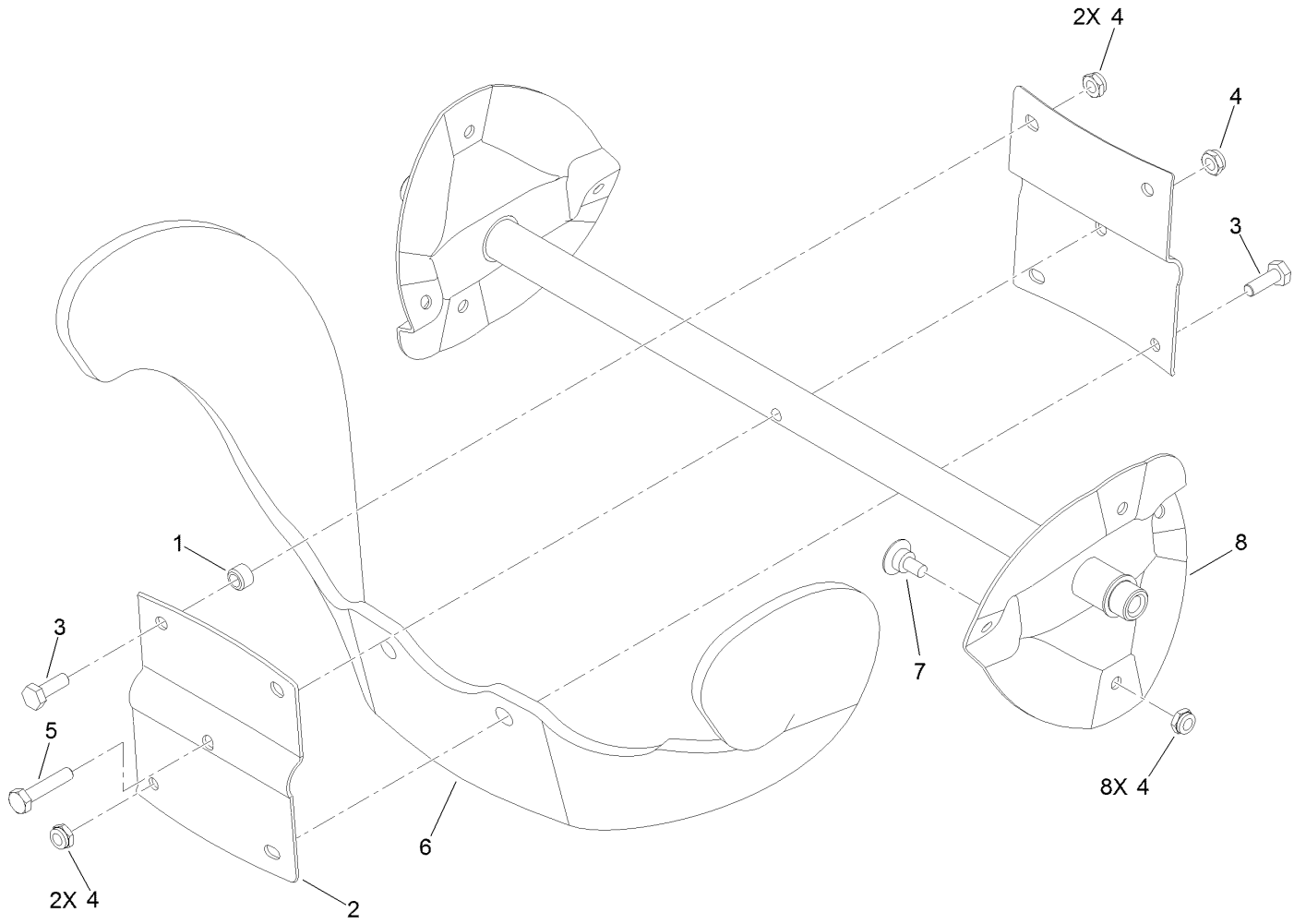
# Rotor Drive Assembly



## Rotor Drive Assembly (continued)

<i>Ref.</i>	<i>Part Number</i>	<i>Qty.</i>	<i>Description</i>	<i>Ref.</i>	<i>Part Number</i>	<i>Qty.</i>	<i>Description</i>
1	3234-29	1	Screw-HHF	12	323-29	1	Screw-HH
2	136-7133	1	Clip-Spring	13	114-3785	1	Pulley-Idler
3	108-4925	1	Washer	14	117-9145	1	Cable-Clutch
4	108-4916	1	Bushing-Pivot	15	136-7138	1	Arm-Idler
5	3296-29	1	Nut-Lock, NI	16	32152-2	1	Nut-Lock, Cone
6	121-6624	1	Pulley	17	121-6630	1	Spring-Extension
7	3290-456	2	Washer-Belleville	18	125-7927	1	Pulley-Engine
8	9080046	1	Screw-HH	19	121-6646	1	Screw-HH
11	121-6622	1	Belt-Drive				

# Rotor Assembly

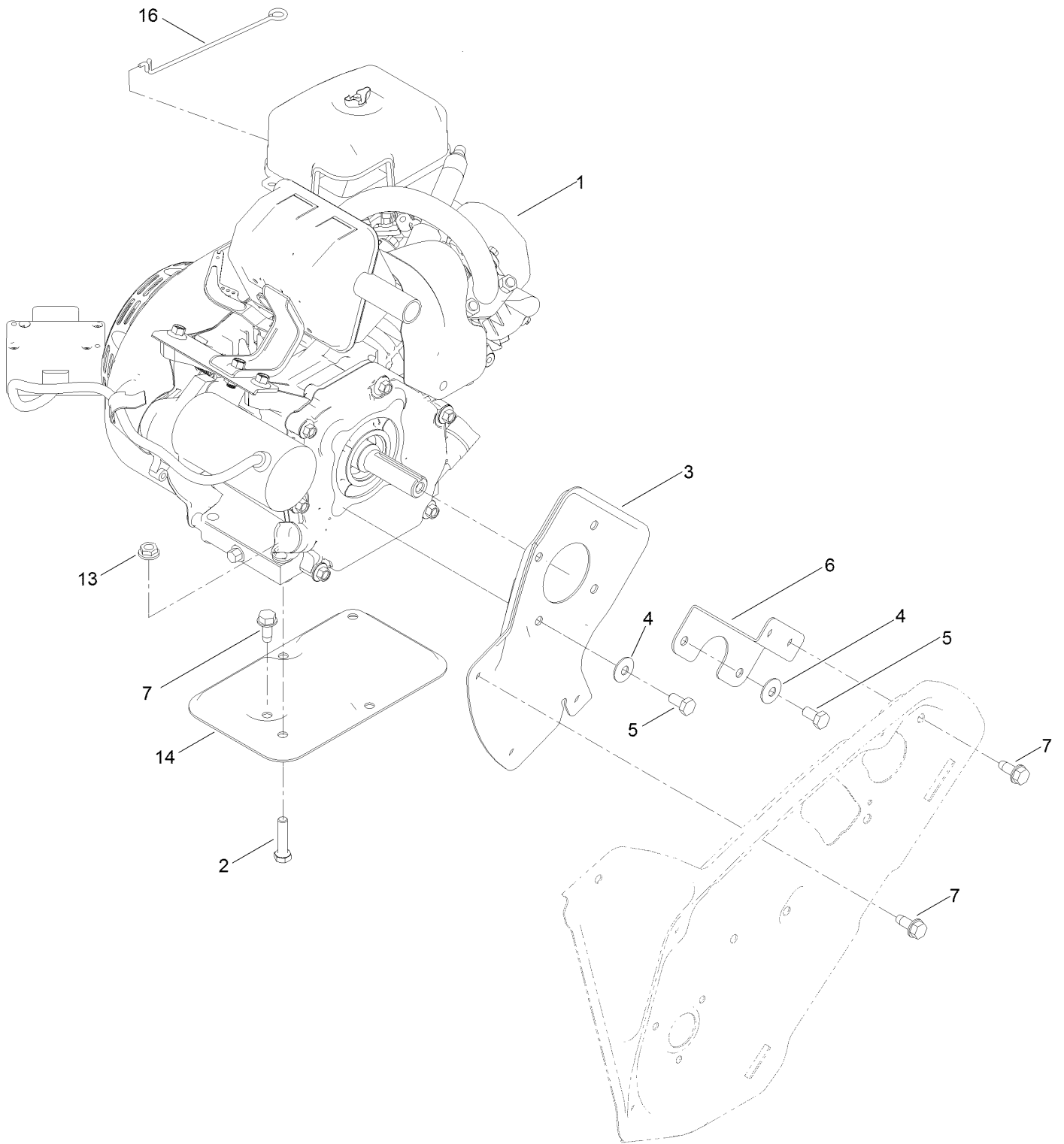




## Rotor Assembly (continued)

<i>Ref.</i>	<i>Part Number</i>	<i>Qty.</i>	<i>Description</i>	<i>Ref.</i>	<i>Part Number</i>	<i>Qty.</i>	<i>Description</i>
1	55-9370	4	Spacer-Blade, Rotor	5	321-8	1	Screw-HH
2	66-6600-03	2	Half-Rotor	6	99-9313	2	Blade-Rotor
3	321-4	4	Screw-HH	7	84-1971	8	Screw
4	3296-56	13	Nut-Lock, NI	8	131-6490	1	Rotor Kit

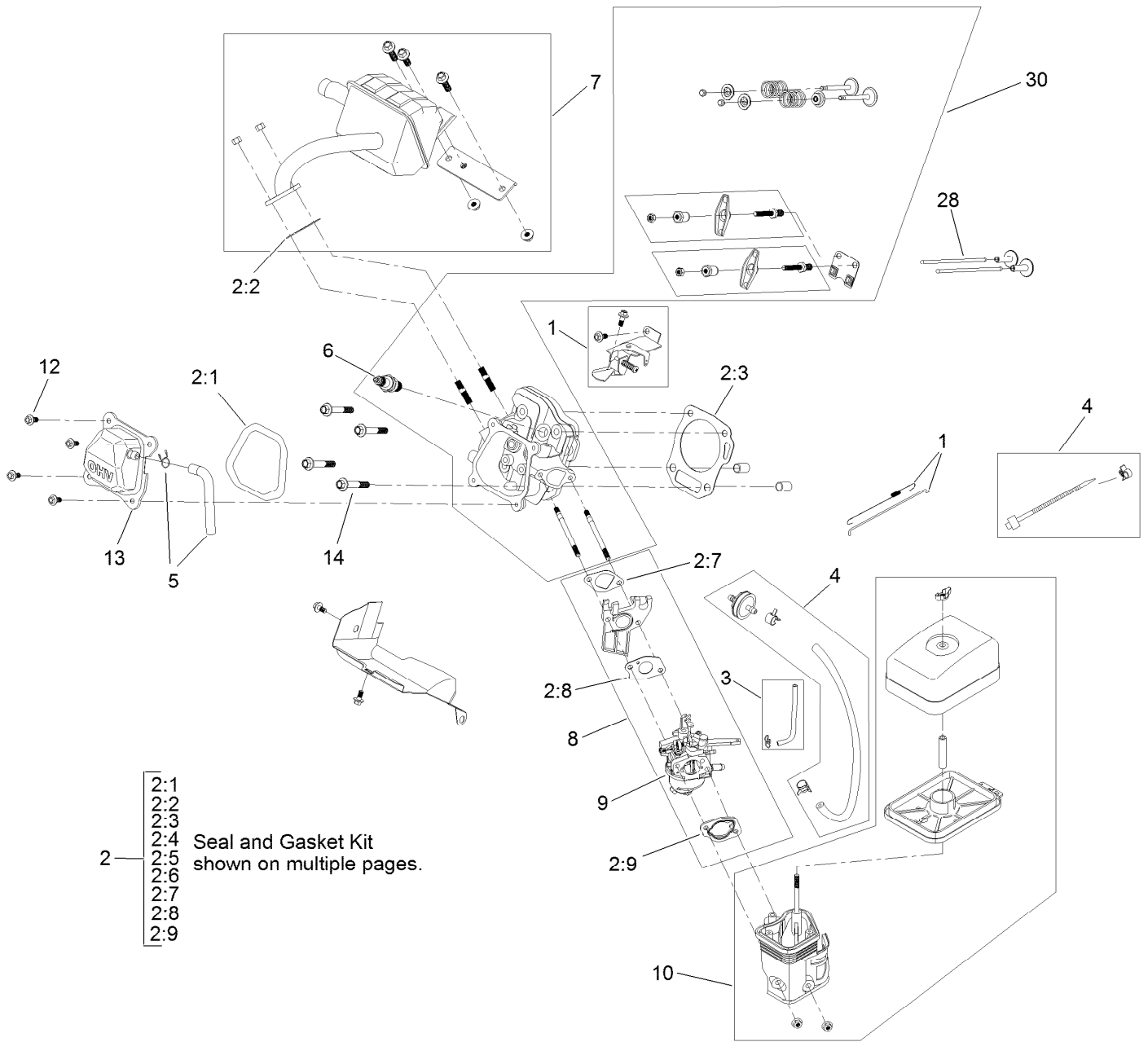
# Engine Assembly



## Engine Assembly (continued)

<i>Ref.</i>	<i>Part Number</i>	<i>Qty.</i>	<i>Description</i>	<i>Ref.</i>	<i>Part Number</i>	<i>Qty.</i>	<i>Description</i>
1	121-4225	1	Engine-170Fds-2	6	110-9354-03	1	Support-Engine, Side
2	322-17	2	Screw-HH	7	32144-11	7	Screw-HWHTF
3	108-4892-03	1	Plate-Engine, PTO	13	32128-20	2	Nut-HF
4	3290-456	4	Washer-Belleville	14	117-6037-03	1	Support-Engine
5	33114-016	4	Screw-HH	16	136-7140	1	Link-Choke

# Engine Assembly No. 1



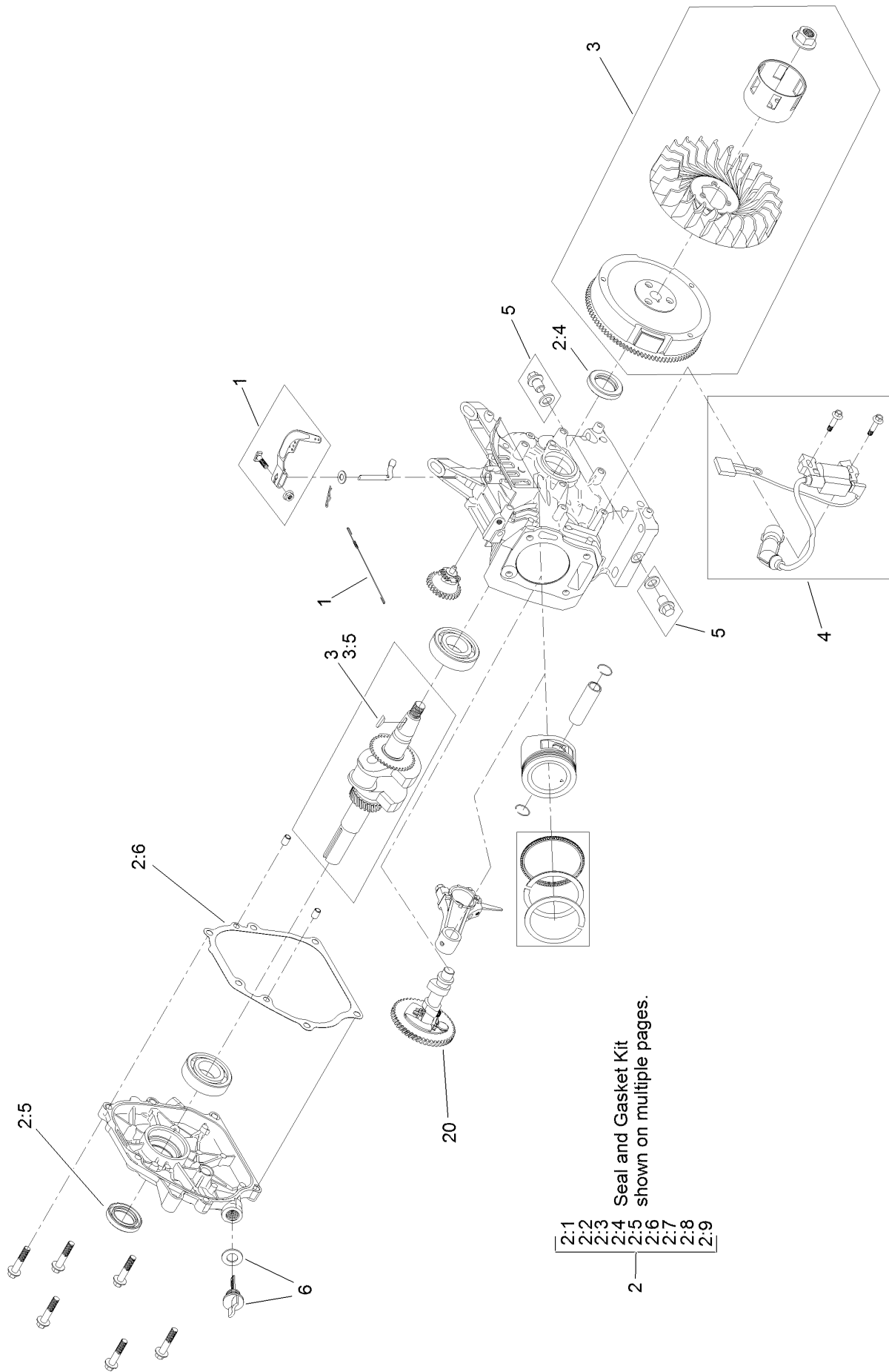
- 2:1
- 2:2
- 2:3
- 2:4 Seal and Gasket Kit
- 2:5 shown on multiple pages.
- 2:6
- 2:7
- 2:8
- 2:9

## Engine Assembly No. 1 (continued)

<i>Ref.</i>	<i>Part Number</i>	<i>Qty.</i>	<i>Description</i>	<i>Ref.</i>	<i>Part Number</i>	<i>Qty.</i>	<i>Description</i>
1	136-7765	1	Governor Kit	5	119-1921	1	Breather Tube Kit
2	127-9001	1	Gasket And Seal Kit	6	119-1901	1	Plug-Spark
2:1	121-0109	1	Gasket-Cover, Valve	7	121-4297	1	Muffler Kit
2:2	121-0167	1	Gasket-Exhaust	8	127-9008	1	Carburetor Kit
2:3	127-9000	1	Gasket-Head, Cylinder	9	127-9089	1	Carb Repair Kit With Gaskets
2:4	121-0208	1	Seal-Oil	10	121-4282	1	Heater Box Kit
2:5	121-0209	1	Seal-Oil	12	120-4454	4	Screw-HHF
2:6	121-0105	1	Gasket-Cover, Crankcase	13	121-0499	1	Valve Cover ASM
2:7	121-0076	1	Gasket-Carburetor	14	121-4110	4	Screw-HHF
2:8	121-0078	1	Gasket-Carburetor	28	121-4121	2	Rod-Push
2:9	121-0080	1	Gasket-Carburetor	30	133-9839	1	Complete Head ASM
3	127-9376	1	Primer Line Kit	99	127-9037	1	High Altitude Kit ●
4	121-4299	1	Fuel Line Kit				

● Not illustrated

# Engine Assembly No. 2

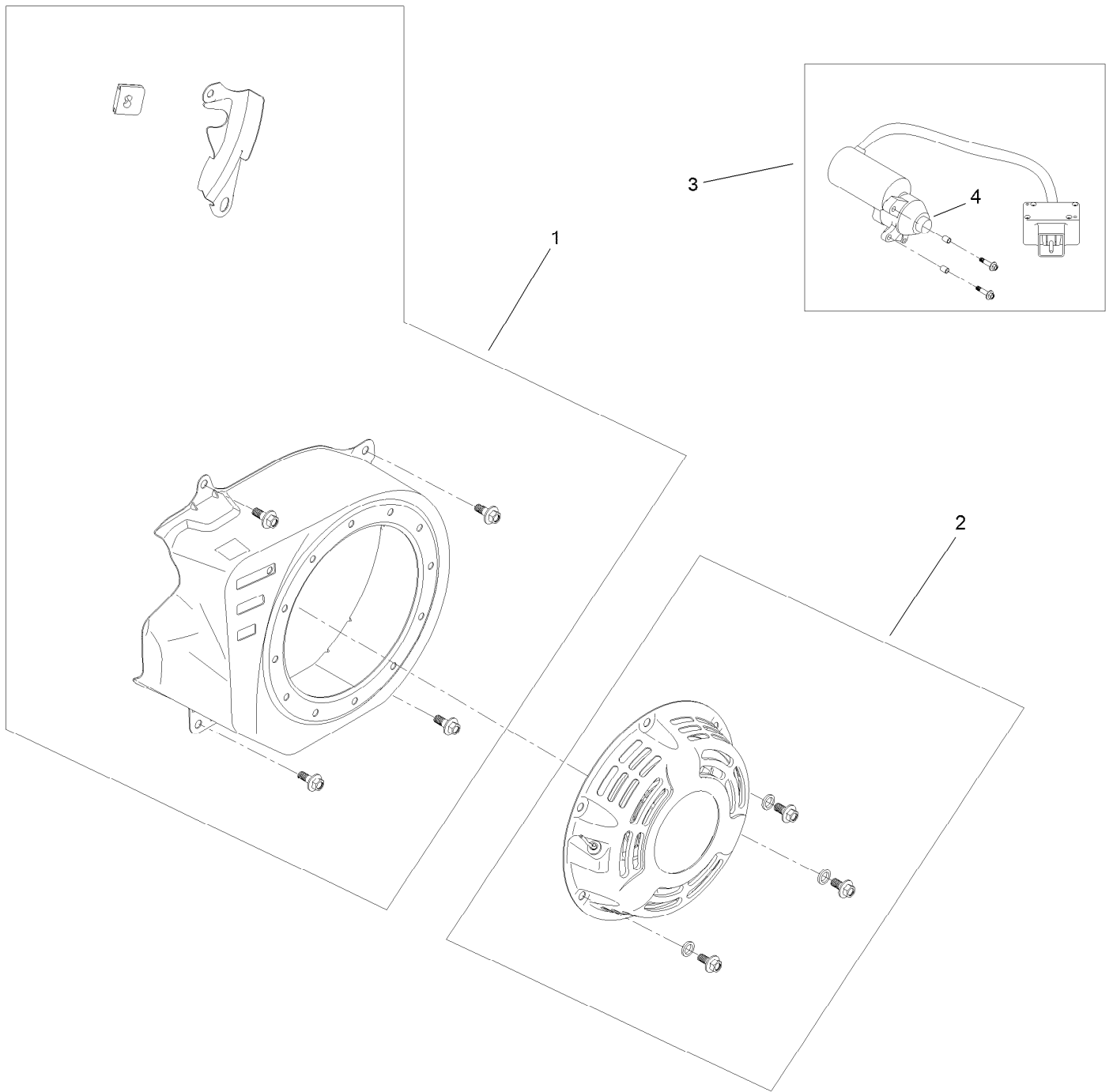


- 2
- |     |
|-----|
| 2:1 |
| 2:2 |
| 2:3 |
| 2:4 |
| 2:5 |
| 2:6 |
| 2:7 |
| 2:8 |
| 2:9 |

## Engine Assembly No. 2 (continued)

<i>Ref.</i>	<i>Part Number</i>	<i>Qty.</i>	<i>Description</i>	<i>Ref.</i>	<i>Part Number</i>	<i>Qty.</i>	<i>Description</i>
1	136-7765	1	Governor Kit	2:8	121-0078	1	Gasket-Carburetor
2	127-9001	1	Gasket And Seal Kit	2:9	121-0080	1	Gasket-Carburetor
2:1	121-0109	1	Gasket-Cover, Valve	3	127-9006	1	Flywheel Kit
2:2	121-0167	1	Gasket-Exhaust	3:5	120-4320	1	Key-Woodruff
2:3	127-9000	1	Gasket-Head, Cylinder	4	136-7766	1	Ignition Kit
2:4	121-0208	1	Seal-Oil	5	119-1923	2	Drain Plug Kit
2:5	121-0209	1	Seal-Oil	6	127-9374	1	Dipstick And O-Ring Kit
2:6	121-0105	1	Gasket-Cover, Crankcase	20	133-9836	1	Camshaft
2:7	121-0076	1	Gasket-Carburetor				

# Engine Assembly No. 3





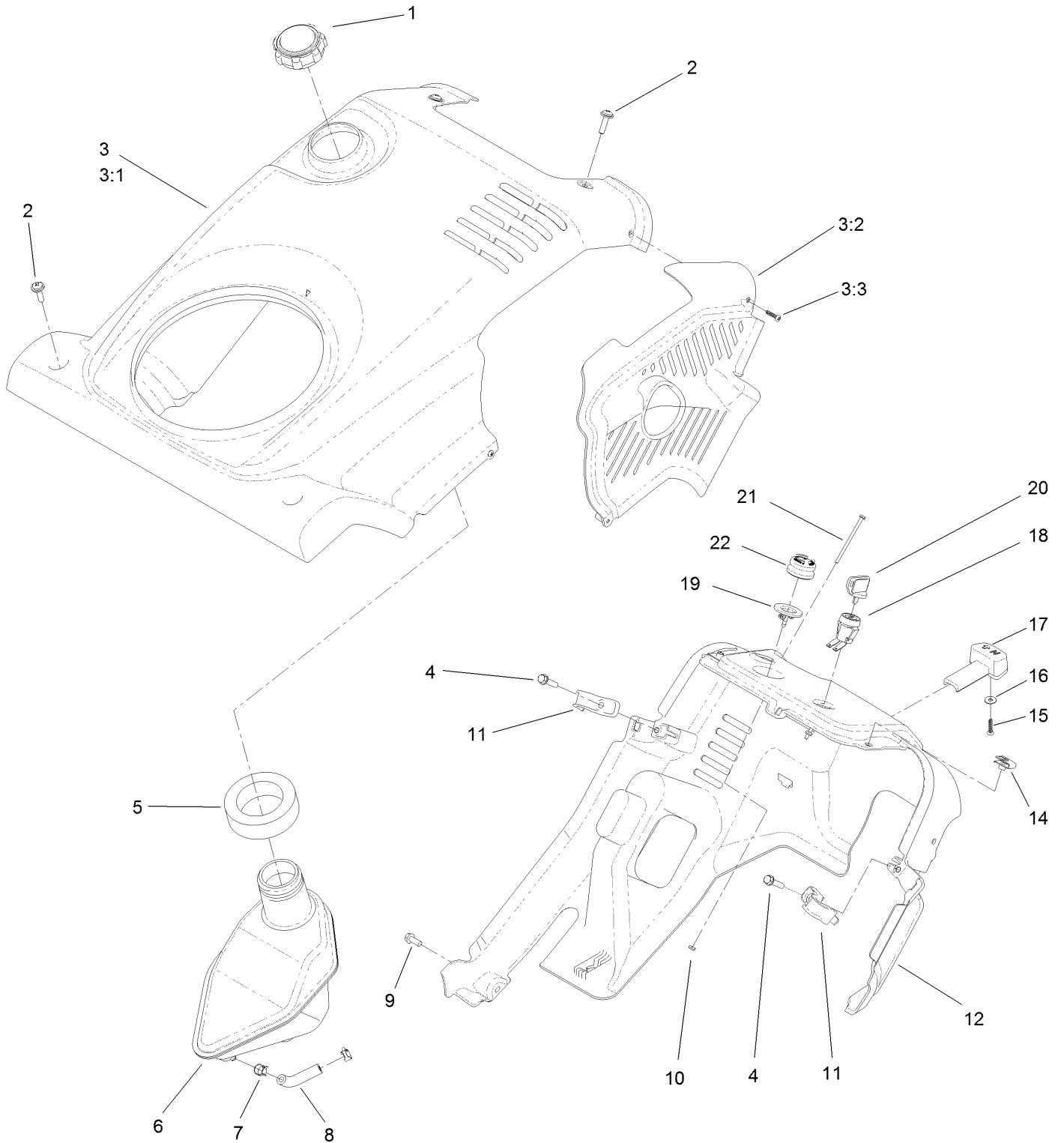
## Engine Assembly No. 3 (continued)

<i>Ref.</i>	<i>Part Number</i>	<i>Qty.</i>	<i>Description</i>
1	127-9012	1	Blower Shroud Kit
2	121-4252	1	Recoil Kit

<i>Ref.</i>	<i>Part Number</i>	<i>Qty.</i>	<i>Description</i>
3	136-7767	1	Electric Starter Kit
4	119-1956	1	Pinion Kit ●

● Not illustrated

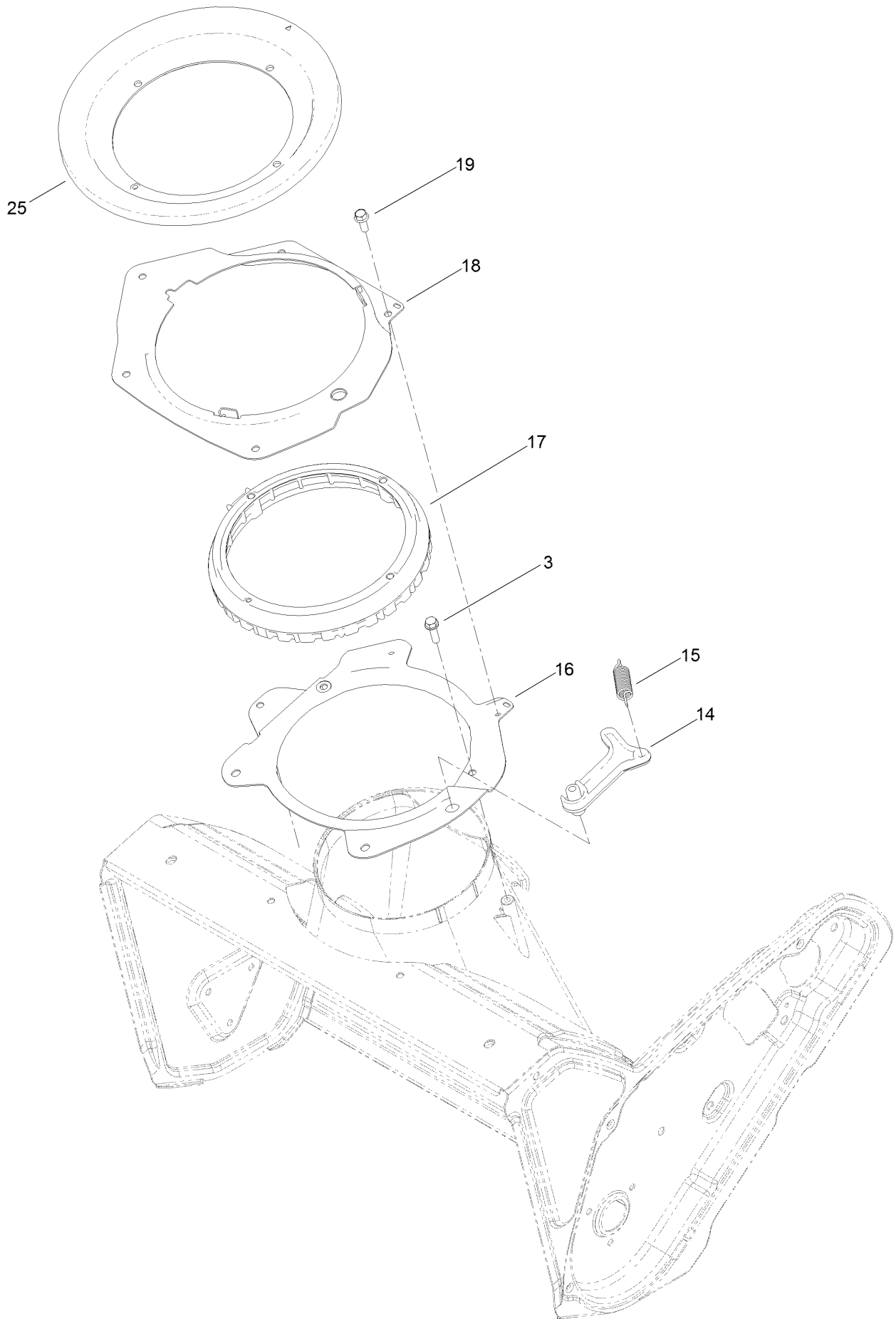
# Shroud and Fuel Tank Assembly



## Shroud and Fuel Tank Assembly (continued)

<i>Ref.</i>	<i>Part Number</i>	<i>Qty.</i>	<i>Description</i>	<i>Ref.</i>	<i>Part Number</i>	<i>Qty.</i>	<i>Description</i>
1	138-3624	1	Cap-Gas	10	3296-9	2	Nut-Hex
2	110-9361	4	Screw-PPH	11	108-4947	2	Clip-Shroud
3	127-5981	1	Shroud ASM	12	117-6046	1	Shroud-Lower
3:1	127-5982	1	Shroud	14	107069	2	Clip
3:2	117-6035	1	Baffle-Exhaust	15	94-4496	1	Screw-PPH
3:3	94-4496	2	Screw-PPH	16	3256-49	1	Washer-Plain
4	46-8092	2	Screw-Plastite	17	117-9100	1	Knob-Choke
5	114-3773	1	Seal-Tank	18	40-5940	1	Switch
6	120-9848	1	Tank-Fuel, Gas	19	44-2750	1	Body-Primer
7	2412-98	2	Clamp-Hose	20	63-8360	1	Key-Ignition
8	109-0660	1	Hose-Fuel	21	117-9106	2	Screw-HWH
9	32144-85	1	Screw-HWH	22	66-7460	1	Bulb-Primer

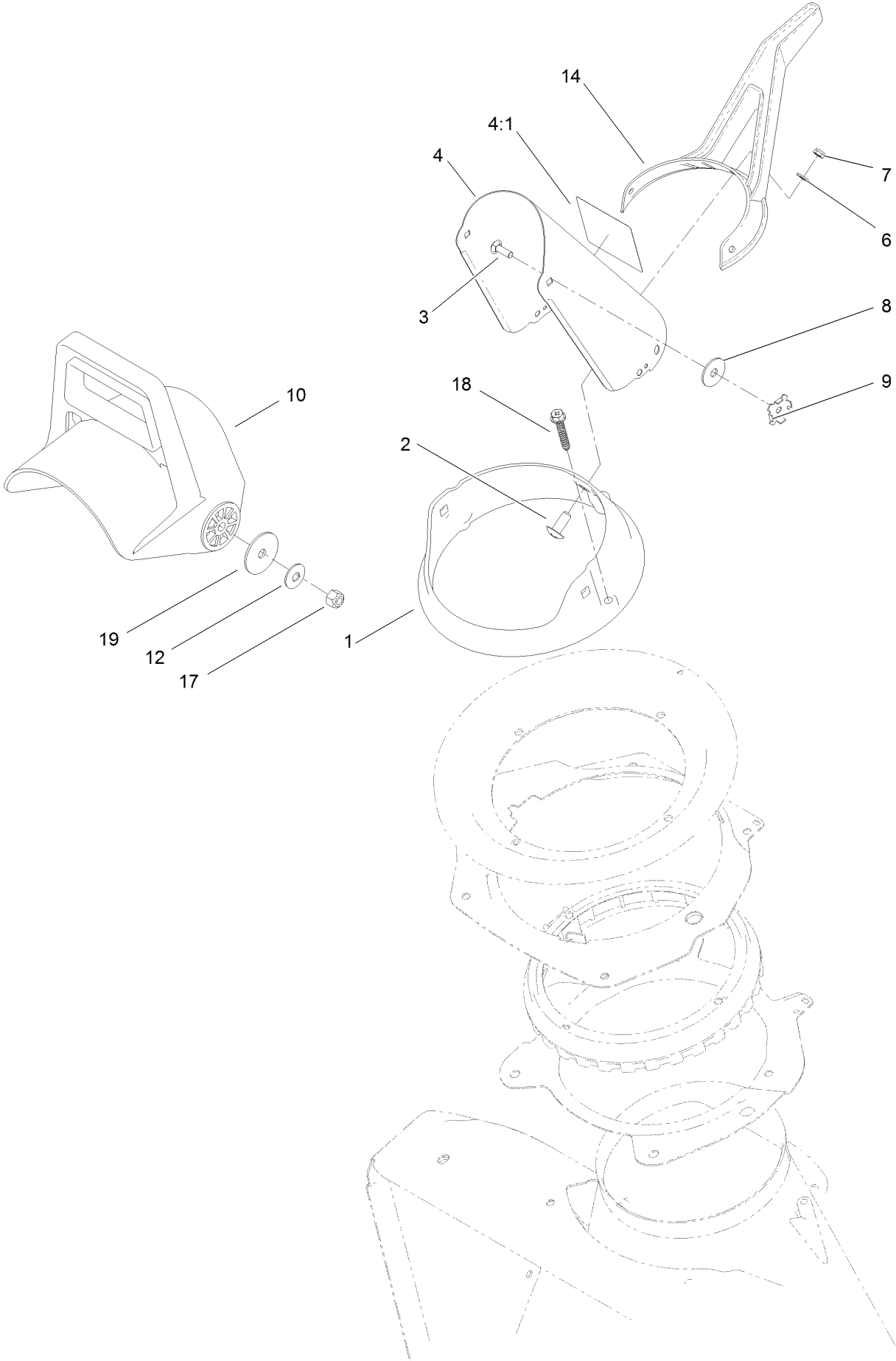
# Chute Control Assembly



## Chute Control Assembly (continued)

<i>Ref.</i>	<i>Part Number</i>	<i>Qty.</i>	<i>Description</i>	<i>Ref.</i>	<i>Part Number</i>	<i>Qty.</i>	<i>Description</i>
3	46-8091	4	Screw-HWH	17	108-4922	1	Ring-Chute, Detent
14	108-4926	1	Pawl-Detent	18	108-4874-03	1	Retainer-Ring, Chute
15	80-4600	1	Spring-Extension	19	32144-85	2	Screw-HWH
16	108-4883-03	1	Ring-Support, Chute	25	114-3772	1	Seal-Ring, Chute

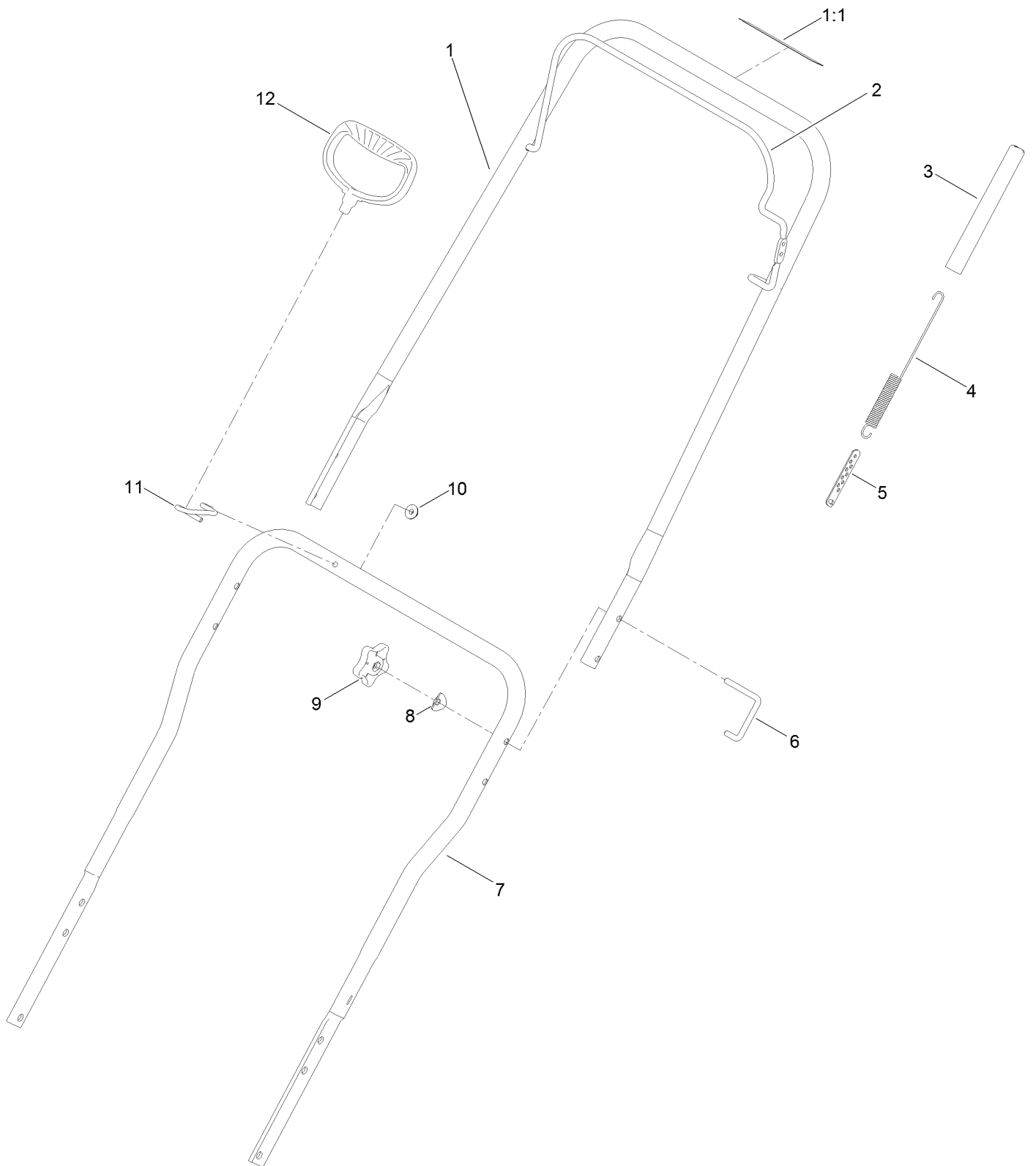
# Discharge Chute Control Assembly



## Discharge Chute Control Assembly (continued)

<i>Ref.</i>	<i>Part Number</i>	<i>Qty.</i>	<i>Description</i>	<i>Ref.</i>	<i>Part Number</i>	<i>Qty.</i>	<i>Description</i>
1	112-1546	1	Ring-Chute	9	136-7185	2	Plate-Friction
2	100-5487	3	Screw-PTH	10	56-2680	1	Chute-Deflector
3	3230-22	2	Screw-CARR	12	3290-456	2	Washer-Belleville
4	120-0131	1	Discharge Chute ASM	14	94-9914	1	Handle-Control, Chute
4:1	115-5660	1	Decal-Danger, CE	17	3296-29	2	Nut-Lock, NI
6	3256-70	3	Washer-Flat	18	108-4946	3	Screw-Plastite
7	3296-47	3	Nut-Lock, NI	19	3256-68	2	Washer-Flat
8	20-4320	2	Washer-Rubber				

# Handle Assembly





## Handle Assembly (continued)

<i>Ref.</i>	<i>Part Number</i>	<i>Qty.</i>	<i>Description</i>	<i>Ref.</i>	<i>Part Number</i>	<i>Qty.</i>	<i>Description</i>
1	117-9139	1	Upper Handle ASM	7	127-5956-03	1	Handle-Lower
1:1	94-2577	1	Decal-Drive, Rotor	8	107-3844	2	Washer
2	117-9136-03	1	Bail-Clutch	9	114-3779	2	Knob-Handle
3	114-3796	1	Cover-Spring	10	114-3778	1	Nut-HF
4	125-1148	1	Spring-Extension, Clutch	11	136-7135	1	Guide-Rope
5	136-7126	1	Adjuster-Clutch Cable	12	117-9104	1	Handle-Recoil
6	136-7130	2	Lock-Handle				

# Attachments and Accessories

## For 38742 Power Clear 721 E Snowthrower

<b>Product Name</b>	<b>Model/Part</b>
Case of 24 20-Ounce Bottles 5W30 Winter Oil .....	38908
Toro Single Stage Cover .....	490-7464
Toro Snow Oil 0W30 Synthetic 20-Ounce Bottle .....	38913
Plain Single Stage Cover .....	490-7465
Paddle Replacement Kit .....	38261
Long Life Rotor Blade Kit .....	38205
High Altitude Kit .....	127-9037
Engine Maintenance Kit.....	138-0699

**Notes:**



**Count on it.**