



Quiet Collector

Model No. 79451-9900001 & Up

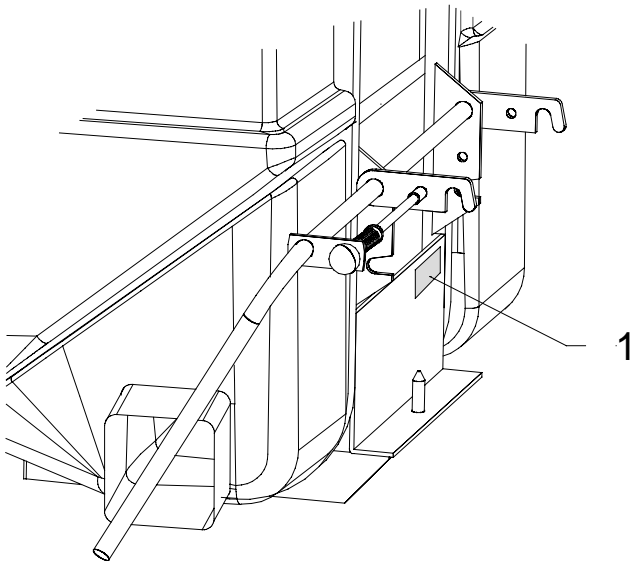
Operator's Manual

IMPORTANT: Read this manual, and **your tractor manual**, carefully. They contain information about your safety and the safety of others. Also become familiar with the controls and their proper use before you operate the product.

Introduction

We want you to be completely satisfied with your new product, so feel free to contact your local Authorized Service Dealer for help with service, genuine replacement parts, or other information you may require.

Whenever you contact your Authorized Service Dealer or the factory, always know the model and serial numbers of your product. These numbers will help the Service Dealer or Service Representative provide exact information about your specific product. You will find the model and serial number plate located in a unique place on the product as shown below.



1. Model and Serial Number Plate

For your convenience, write the product model and serial numbers in the space below.

Model No.: _____

Serial No.: _____

The warning system in this manual identifies potential hazards and has special safety messages that help you and others avoid personal injury, even death. **DANGER**, **WARNING**, and **CAUTION** are signal words used to identify the level of hazard. However, regardless of the hazard, be extremely careful.

DANGER signals an extreme hazard that will cause serious injury or death if the recommended precautions are not followed.

WARNING signals a hazard that may cause serious injury or death if the recommended precautions are not followed.

CAUTION signals a hazard that may cause minor or moderate injury if the recommended precautions are not followed.

Two other words are also used to highlight information. “Important” calls attention to special mechanical information and “Note” emphasizes general information worthy of special attention.

The left and right side of the machine is determined by sitting on the seat in the normal operator’s position.

Contents

	Page
Safety and Instruction decals	2
Installation	
Loose Part	3
Installing Quick Hitch	4
Installing Double Idler	4
Tractor with R.O.P.	5
Installing Mower	5
Installing Collector	6
Tube Cut to Length.....	6
Boot Installation.....	7
Tube Installation	7
Operation	
Operating Collector	8
Dumping Action	9
Draft Control	9
Fill gauge Control	9
Maintenance	
Filter Cleaning	10
V-belt Inspection.....	10
Storage	11
Troubleshooting.....	11

Safety and Instruction Decals



Safety decal and instructions are easily visible to the operator and are located near any area of potential danger. Replace any decal that is damaged or lost.

(1) ON DUMP ARM

(Part No. 98-3679)



(1) ON DRAFT CONTROL PLATE

(Part No. 98-3680)



Installation

Loose Parts

Note: Use the chart below to identify parts used for assembly.

Description	Qty.	Use
Quick Hitch Tractor	1	Installing the collector.
Hex bolt 3/8 x 1 1/4" (32mm.)	2	
Lock nut 3/8" (nylon)	2	
Flat washer 7/16"ø	4	
Pin 3/8 x 1 1/2" (38mm.)	1	
Hairpin 2.5mm.	1	
Straight tube assembly	1	Installing between collector and mower boot.
Elbow tube	1	
Carriage bolt 1/4 x 3/4" (19mm.)	3	
Flange nut 1/4"	3	
Cotter pin 3/16" x 1" (25mm.)	1	Secure the dumping arm.
Knob	1	Air deflector control arm.
Operator's Manual	1	Read before operation.
V-belt	1	Drive the collector
Double idler	1	
Mounting plate	1	
Fixation plate	1	
Lock nut 7/16" (nylon)	1	
Flat washer 7/16"ø	2	
Hex bolt 3/8" x 3 1/2" (89mm.)	4	
Flange nut 3/8"	4	

NOTE: Install the collector drive kit first.

Installing Quick Hitch

1. Remove tractor tow hitch by removing pin held by clips, remove rear cover plate, store parts for future use (fig. 1).

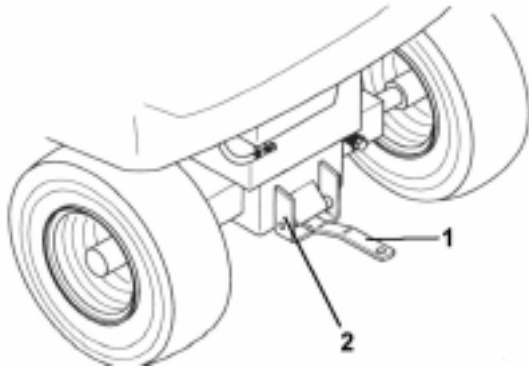


Figure 1

1. Tractor Tow Hitch 2. Pin

2. Install the quick hitch in place with tractor's original tow hitch pin and clips, and secure to tractor frame, using bolts with flatwashers and lock nuts with flatwashers (fig. 2). Tighten securely.

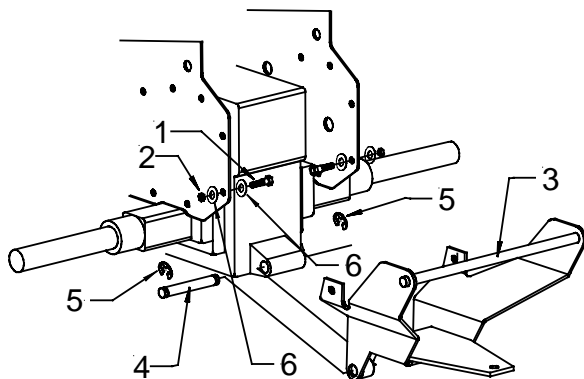


Figure 2

1. Hex bolt 3/8x1 1/4" (32mm.) 4. Pin
2. Lock nut (nylon) 3/8" 5. Clip
3. Quick hitch 6. Flat washer 7/16"ø

Installing a Double Idler

1. Install the mounting plate under the left side rear axle. Hold in place with fixation plate on top of axle and secure with four hex bolts 3/8 x 3 1/2" (89mm.) and flange nuts. Tighten loosely (fig. 3).

NOTE: Axle bolt for double idler must be to left side as shown.

2. Slide plate to edge of square portion of axle. Tighten the bolts securely (fig. 3).
3. Install the double idler and hold in place with one flat washer on top of idler and one flat washer on bottom. Secure with lock nut (nylon). Tighten securely (fig. 3).
4. Verify to be sure the square head set screw which retains the wheel on the axle does not touch the double idler pulley when the wheel is turning.

Tractor with Roll Over Protection

1. Remove the four bolts and detach the plate where R.O.P. is attached to the left side of the tractor's axle. Install the mounting plate where the original plate was installed **with the same R.O.P. mounting bolts**, lockwashers and nuts. Tighten securely (fig.3).
2. Install the double idler and hold in place with one flat washer on top of idler and one on bottom. Secure with lock nut (nylon) (fig. 3). Tighten securely.

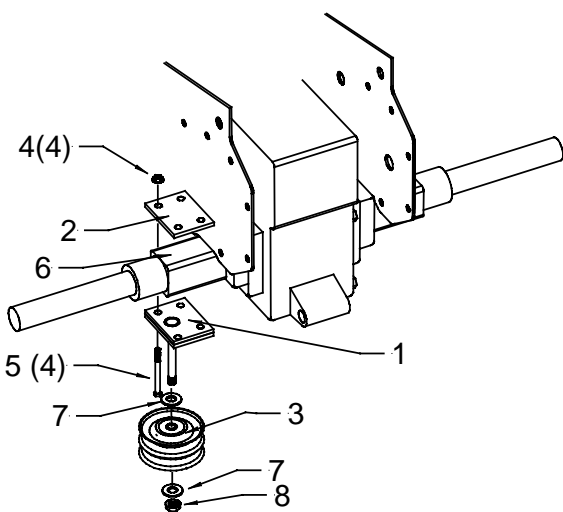


Figure 3

- | | |
|------------------------|----------------------------------|
| 1. Mounting Plate | 5. Hex bolt 3/8 x 3 1/2" (89mm.) |
| 2. Fixation Plate | 6. Axle |
| 3. Double idler pulley | 7. Flat washer 7/16"ø |
| 4. Flange nut 3/8" | 8. Lock nut (nylon) 7/16" |

3. Verify to be sure the square head set screw which retains the wheel on the axle does not touch the double idler pulley when the wheel is turning.

Installing Mower

1. Install the mower on tractor if it is not installed.
2. Install the collector drive belt by routing it under the linkage to the top pulley of the blade spindle and around the front idler "V" pulley (fig. 4).
3. Route towards the back to the top of the double jackshaft pulley mounted on the tractor's left side axle (fig. 4).
4. Slide a large screwdriver or a pry bar, in the tube welded on the flat idler arm and pull forward to release the idler tension and at same time route the V-belt around the flat idler pulley (fig. 4).
5. Be sure the belt is routed properly before starting the mower (fig. 4).

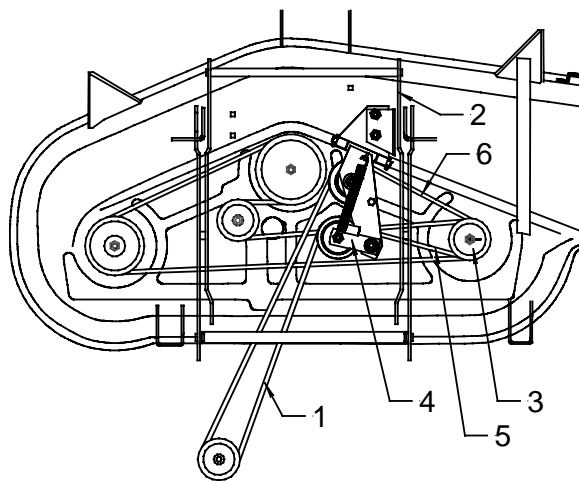


Figure 4

- | | |
|-------------------------|-------------------------|
| 1. Collector drive belt | 4. Flat idler pulley |
| 2. Linkage | 5. Front V idler pulley |
| 3. Blade spindle pulley | 6. Jackshaft pulley |

Installation

Installing the Collector

1. Push the dumping arm into its position and secure with cotter pin 3/16 x 1"(25mm.) (fig 5).
2. Install the oval knob on draft control (fig. 11).
3. Hook up the collector to the tractor by hooking the quick hitch flat hooks of the collector to the tractor hitch's round bar. Install belt loosely on collector pulley (fig.6) and on lower jack shaft pulley on rear axle. Pull hitch lever up to lift collector. Pull locking pin out to allow collector to be raised into full upright position. Allow locking pin to return and lock collector in position (fig. 5).
4. Secure left side hitch flat hook with 1 1/2"(38mm.) long by 3/8" diameter pin and hairpin.

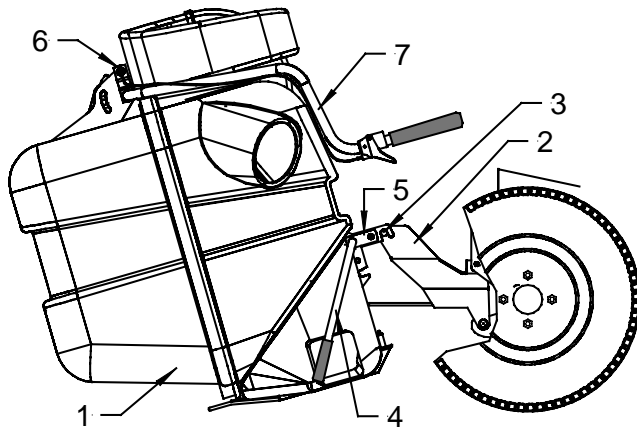
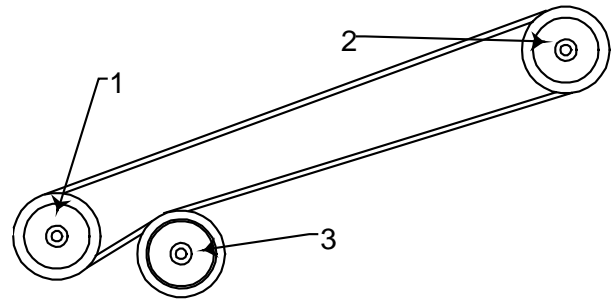


Figure 5

- | | |
|------------------------|--------------------|
| 1. Collector | 5. Hitch flat hook |
| 2. Tractor quick hitch | 6. Locking pin |
| 3. Round bar | 7. Dumping arm |
| 4. Hitch lever | |

5. Be sure the V-belt is routed properly on both pulleys and idlers as shown in fig. 6.

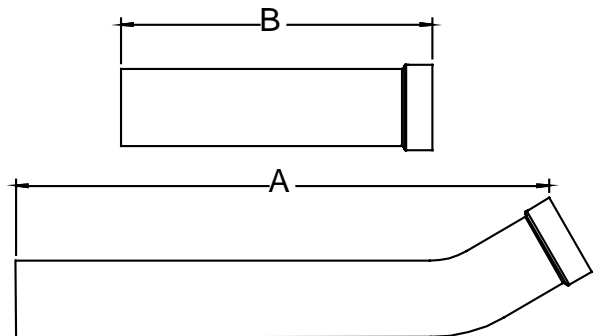


**Top View
Figure 6**

- | | |
|----------------------------|----------|
| 1. Collector pulley | 3. Idler |
| 2. Double jackshaft pulley | |

Cut Tube to Length

1. Cut the plastic suction tube as shown in figure 7 according to your mower size. Be sure the B tube is cut perfectly straight. Use a carpenter's square to verify.



Mower Size	A	B
60" wide	36"	16"
52" wide	34"	26"
48" wide	24"	25"
44" wide	26"	26"

Figure 7

Boot Installation

1. Install the boot on mower (if it is not installed) by lifting the mower discharge chute (do not remove it) and introducing the boot bracket holder between the discharge chute and the mower deck (fig. 8).
2. Release the discharge chute. It should lock the boot in place behind the bolt head (fig. 8).
3. If the bolts are not positioned correctly to lock to boot in place, loosen the bolts, slide them to the correct position so that the chute locks the boot in place. Tighten the bolts (fig. 8).
4. The boot must fit the mower snugly (fig. 8).

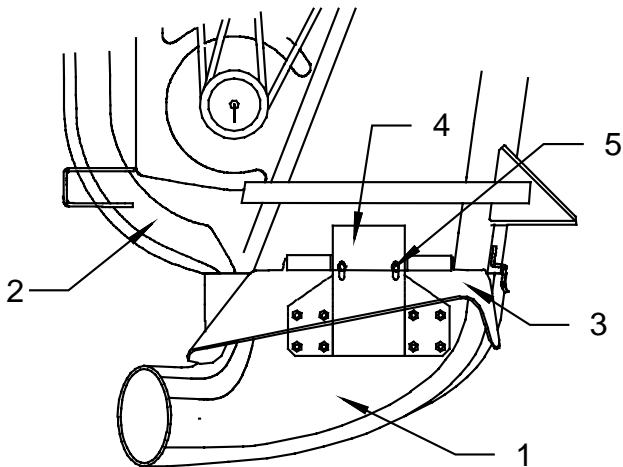


Figure 8

- | | |
|----------|-----------------|
| 1. Boot | 3. Deflector |
| 2. Mower | 4. Boot bracket |
| | 5. Bolt |

Tube Installation

1. Slide the elbow tube in the collector (fig. 9).
2. Install the straight tube on the boot and secure in place with the rubber latch (fig. 9).
3. Insert the elbow tube onto the straight tube. Be sure both tubes are aligned (fig. 9).
4. Use the holes already drilled in the elbow tube as templates to drill same size holes through the straight tube (fig. 9).
5. Remove both tubes in order to be able to insert your hand in the tube to install the carriage bolts $1/4 \times 3/4"$ (19mm.), head on the inside. Secure in place with flange nuts (fig. 9).

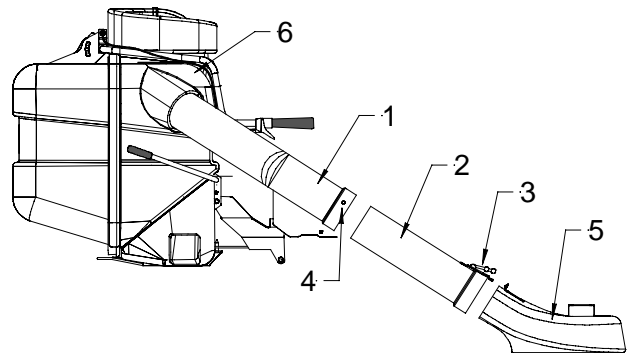


Figure 9

- | | |
|------------------|--------------|
| 1. Elbow tube | 4. Hole |
| 2. Straight tube | 5. Boot |
| 3. Rubber latch | 6. Collector |

Operation

Quiet Collector



DANGER

POTENTIAL HAZARD

- Without the discharge chute, mulch baffle, or complete grass catcher assembly mounted in place, you and others are exposed to blade contact and thrown debris.

WHAT CAN HAPPEN

- Contact with rotating mower blade(s) and thrown debris will cause injury or death.

HOW TO AVOID THE HAZARD

- NEVER remove the discharge chute from the mower because the discharge chute routes material down toward the turf. If the discharge chute is ever damaged, replace it immediately.
- Never try to clear the suction tube, boot or discharge area or mower blades unless you move the power take off (PTO) to "OFF" and rotate the ignition key to "STOP". Also remove the key and pull the wire off the spark plug(s).
- Never operate without all collector parts and tubes in place.



WARNING

For your safety. Before using a grass collector, read thoroughly this Operator's Manual, the Tractor Operator's Manual and the Mower Operator's Manual. Take care of all Danger and Warning safety messages.

Operating Collector

1. When you use the quiet collector follow the Mower Operator's instructions. If the grass is tall, reduce the ground speed and maintain the full engine throttle to prevent grass plugging up in boot or suction tube.

NOTE: For best suction, place the draft control in middle position.

2. If the boot or suction tube plug up, stop the mower, back the tractor 6 to 10 feet, stop the engine, set the parking brake, remove the ignition key, remove spark plug wire(s), remove the boot from mower by lifting the discharge chute which locks the boot in place (fig. 8). Remove the boot and tube, unplug and reinstall in place. Spread the cut grass in front of the tractor.

NOTE: Frequent emptying is recommended to avoid suction tube plugging.

Dumping Action

1. Stop the mower, if the mower is turning it is impossible to open the back of collector due to vacuum inside. Unlock the dumping arm from it's working position and raise it completely. The locking pin will drop into a hole in the highest position. Pull dumping arm down to unlock and raise the back of the collector. To close and lock , raise dump arm to highest position and depress latch to release pin. Lower dump arm to working position (fig. 10).

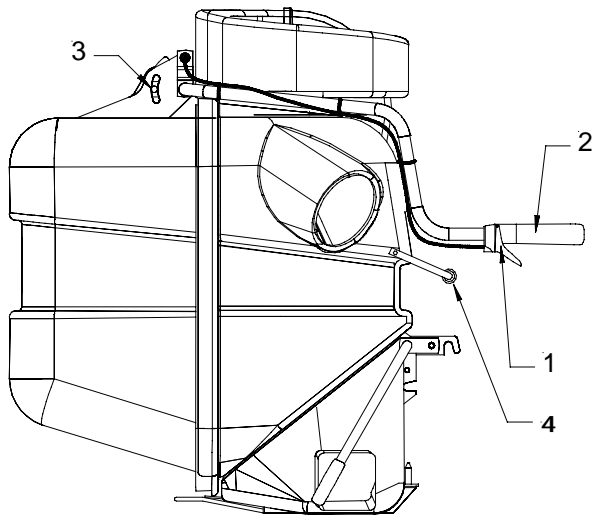


Figure 10

- | | |
|------------------|----------------------|
| 1. Lever control | 3. Dumping mechanism |
| 2. Dumping arm | 4. Fill gauge arm |

Fill Gauge Control

1. To verify if the collector is full of grass and should be emptied, raise up the fill gauge arm frequently and when you feel resistance, this indicates the collector is full and needs to be emptied.

Draft Control

1. The draft control is located on the left side of collector (fig. 11).
2. In the lower position it will blow to the right side.
3. The middle position is for collecting grass.
4. In the highest position it will blow to the left side.

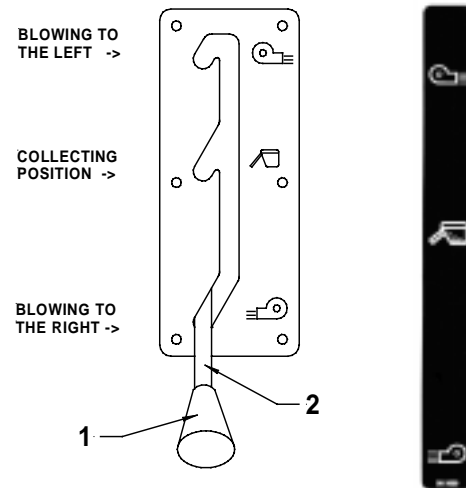


Figure 11

- | | |
|-----------------------|------------------|
| 1. Draft control knob | 2. Draft control |
|-----------------------|------------------|

Maintenance

Filter and Collector Cleaning

1. After use or every 4 hours, open the back of collector, lock in open position by inserting the safety hook into the hinge located on top right side of collector. Be sure hook is fully seated in hole.
2. Clean the suction filter with your hand or a soft brush.
3. Clean the suction tube, collector and boots completely.
4. Clean the mower as well.

V-Belt Inspection

1. Check the V-belt and pulleys frequently for wear and damage. Replace belt if cracked, split or frayed.



DANGER

POTENTIAL HAZARD

- A pinch point is formed by the collector in its open position

WHAT CAN HAPPEN

- Neck, arm or fingers may get caught between the back and front sections of the collector

HOW TO AVOID THE HAZARD

- If you open the back for dumping, keep all persons away. If working inside, lock the safety hook to prevent unexpected closing.

Storage

1. Clean the collector completely and apply oil on steel pivot points.
2. Store in a dry place.

Troubleshooting

PROBLEM	POSSIBLE CAUSES	CORRECTIVE ACTION
Abnormal vibration	<ol style="list-style-type: none">1. Cutting blades are bent or unbalanced.2. Blade mounting bolt is loose.3. Pulley or idler on the mower or on the collector is loose or damaged.4. V-belt damage.	<ol style="list-style-type: none">1. Install new cutting blades.2. Tighten blade mounting bolt.3. Tighten or replace the appropriate pulley or idler.4. Replace V-belt.
Suction tube or suction boot plugs up too frequently.	<ol style="list-style-type: none">1. Hopper is too full.2. Grass is too wet.3. Grass is too long or grass is difficult to cut.	<ol style="list-style-type: none">1. Dump more frequently.2. Cut grass when dry.3. Drive slowly while keeping engine at full RPM. <p>See: Mower Operator's Manual in Operation section: Tips for mowing grass info.</p>