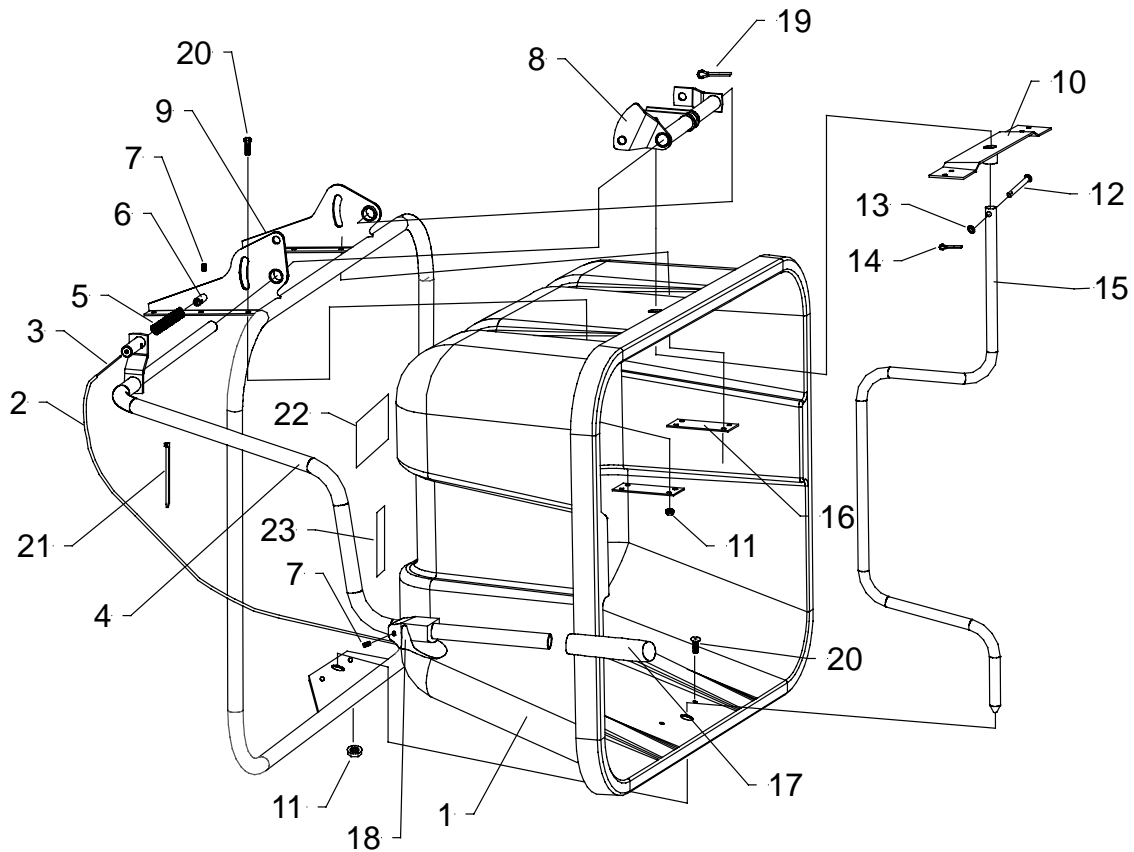




# Quiet Collector

Model No. 79451-9900001 & Up

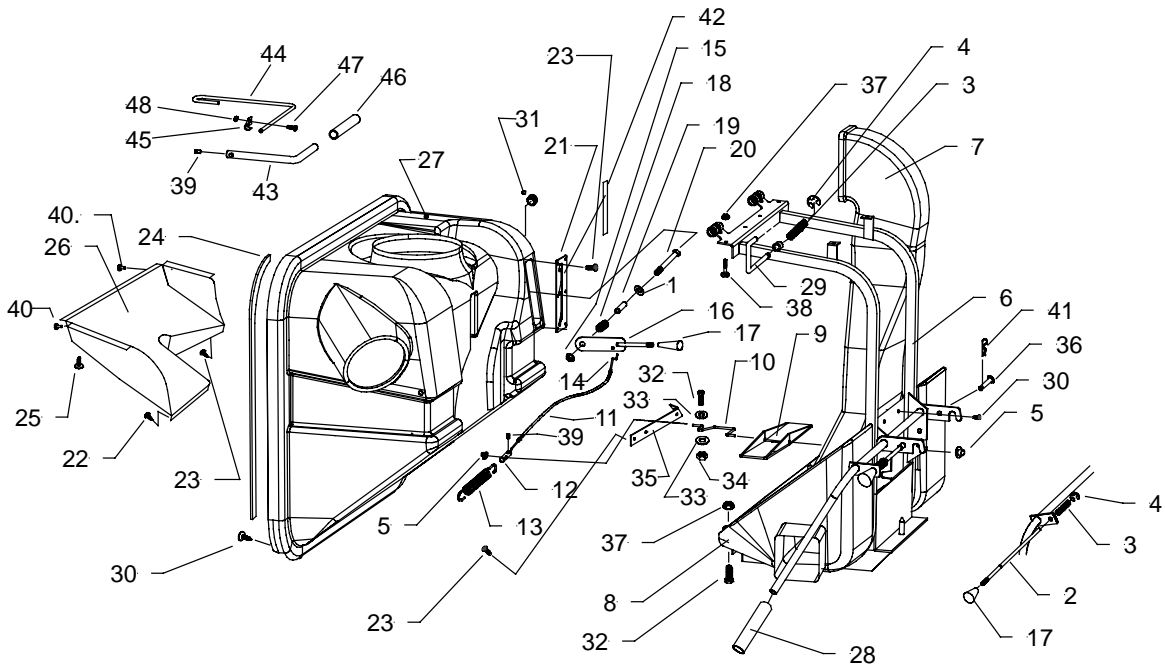
Parts List



## Collector Rear Section Assembly

Ref.No.	Part No.	Qty.	Description
1	98-3606	1	Hopper –back
2	98-3619	1	Shield-cable
3	98-3621	1	Cable
4	98-3646	1	Arm-dump (incl. ref. #23)
5	98-3627	1	Spring
6	98-3665	1	Pin-lock
7	3245-1	2	Set screw Allen 1/4 x 1/4 "
8	98-3657	1	Lever
9	98-3661	1	Chassis
10	98-3653	1	Guide
11	32128-33	14	Nut-flange 1/4"
12	98-3637	1	Pin
13	3256-23	1	Washer-flat 5/16" dia. hole
14	3272-10	1	Pin-cotter 1/8 x 3/4"
15	98-3655	1	Bolt-lock
16	98-3654	2	Plate
17	98-3669	1	Grip-handle
18	98-3622	1	Lever-control ass. incl. set screw 1/4 x 1/4" cable 98-3621 & shield 98-3619
19	3272-21	1	Pin-cotter 3/16 x 1"
20	9114604	14	Screw-machine-TH 1/4 x 3/4"
21	3290-378	3	Tie-wrap 7" long, black

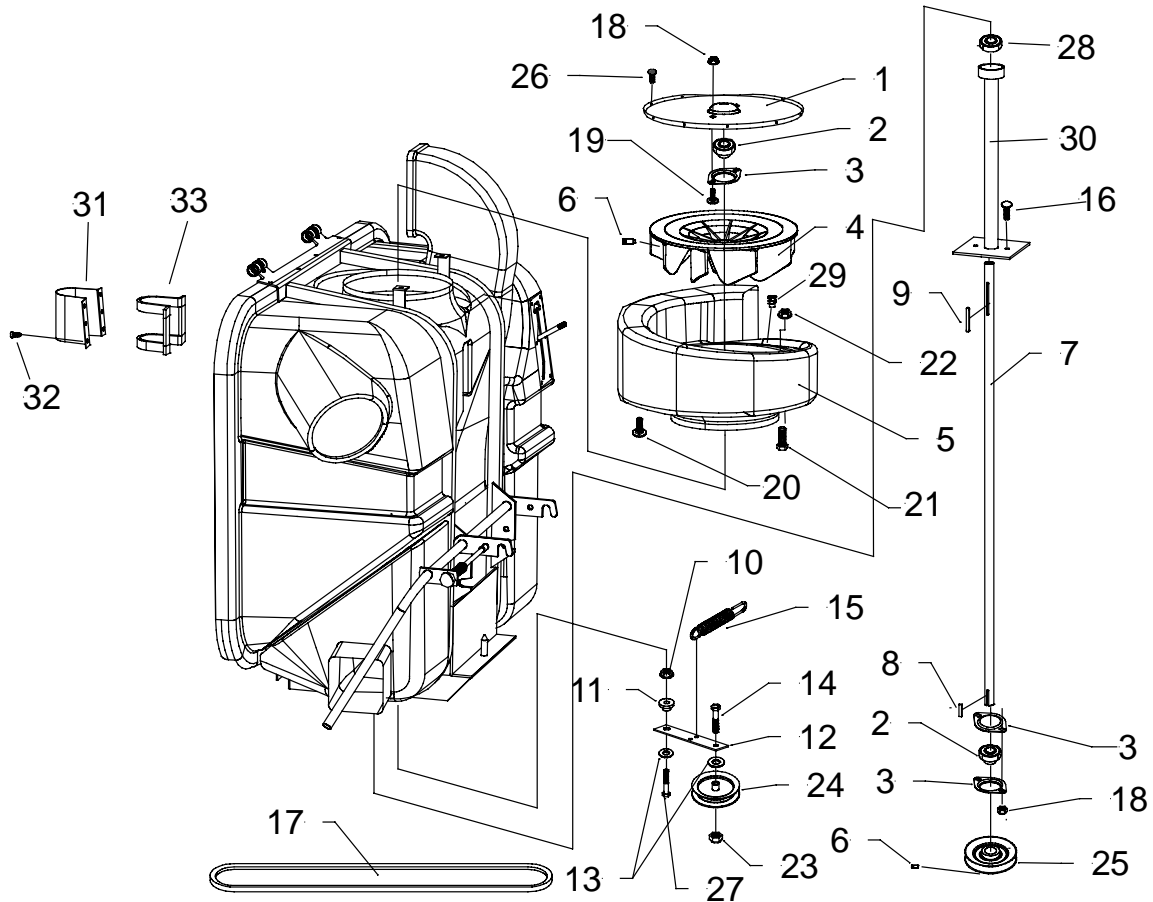
Ref.No.	Part No.	Qty.	Description
22	67-7310	1	Decal product name
23	98-3679	1	Decal dump arm operation.



## Collector Front Section Assembly

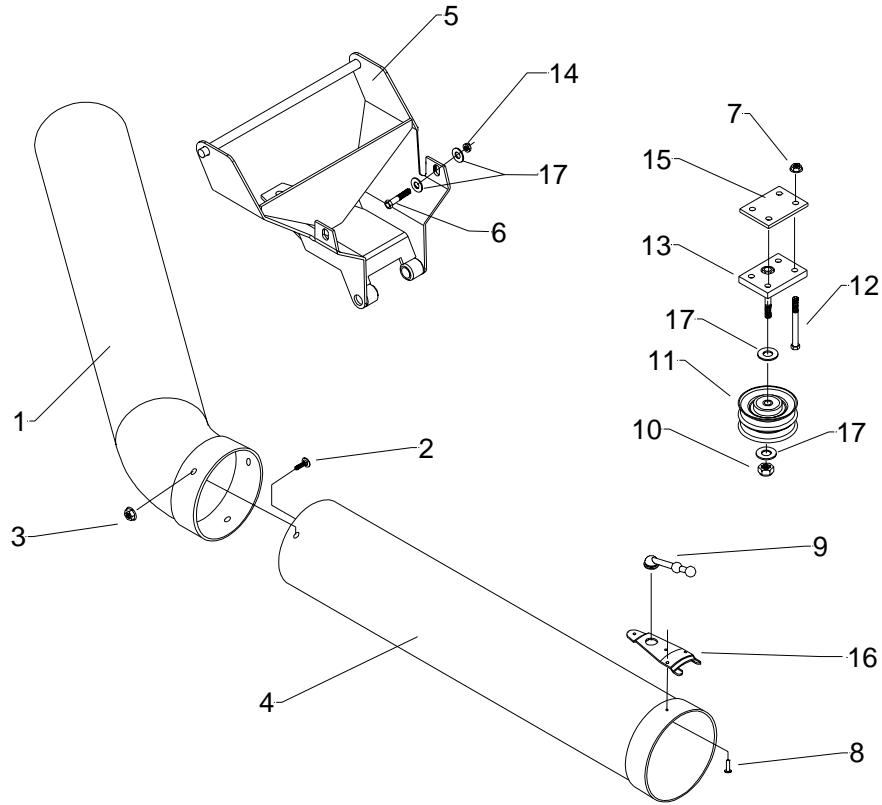
Ref.No.	Part No.	Qty.	Description
1	3256-24	1	Washer-flat 3/8" dia. hole
2	98-3668	1	Pin-hitch
3	98-3640	2	Spring
4	98-3659	2	Ring-retainer
5	98-3652	2	Washer-cap
6	98-3651	1	Frame
7	98-3605	1	Dock-air
8	98-3602	1	Hopper-bottom
9	98-3611	1	Door-air
10	98-3644	1	Lever-door
11	98-3618	1	Shield-cable
12	98-3681	1	End-cable
13	98-3642	1	Spring
14	98-3620	1	Cable
15	32128-20	1	Nut-flange 5/16"
16	98-3658	1	Lever-draft
17	98-3672	2	Knob-oval
18	98-3647	1	Spring
19	98-3648	1	Sleeve
20	322-11	1	Bolt-HH 5/16x2 1/4 "
21	98-3612	1	Plate-lever (incl. ref. #42)
22	32144-118	5	Screw-TAP (type HL) #8x3/8"
23	92-9665	10	Screw-metal TH #10x1/2"
24	98-3645	1	Seal-stripping (128 1/2")

Ref.No.	Part No.	Qty.	Description
25	32144-100	1	Screw-tek (round head) #10x3/4"
26	98-3673	1	Filter
27	98-3601	1	Hopper-front
28	98-3662	1	Grip-handle
29	98-3613	1	Hook
30	32144-23	21	Screw-metal TH 12x3/4"
31	98-3650	1	Cap-rubber
32	321-4	5	Bolt HH 1/4x3/4"
33	3256-23	2	Washer-flat 5/16" dia.hole
34	3296-19	1	Nut-hex-lock stover 1/4"
35	98-3694	1	Bracket reinforcing
36	98-3695	1	Pin-hitch
37	32128-33	6	Nut-flange 1/4"
38	3229-24	2	Bolt-CARR 1/4x3/4"
39	3245-1	2	Set screw allen 1/4x1/4"
40	3269-8	2	Rivet-pop 1/8 NO 3/8"
41	98-3696	1	Hairpin
42	98-3680	1	Decal air direction
43	98-9143	1	Arm-fill gauge
44	98-9142	1	Rod-fill gauge
45	98-9144	1	Cable clip-nylon
46	98-9149	1	Grip-handle
47	3250-13	1	Screw machine pan head #10-24-3/4
48	3D6531	1	Nut-hex H.#10-24



## Scroll & Fan Assembly

Ref.No.	Part No.	Qty.	Description	Ref.No.	Part No.	Qty.	Description
1	98-3604	1	Cover-scroll	21	321-4	2	Bolt HH 1/4x3/4"
2	98-3690	2	Bearing	22	32128-33	3	Nut-flange 1/4"
3	98-3691	3	Flange	23	3296-39	1	Nut-lock nylon 3/8"
4	98-9140	1	Fan	24	98-9135	1	Idler-flat
5	98-9146	1	Scroll (incl. ref. #29)	25	98-3623	1	Pulley- V
6	3246-2	4	Set-screw allen 5/16x5/16"	26	3250-17	8	Screw-machine pan head #8-32 x 3/4"
7	98-9141	1	Shaft	27	323-7	1	Bolt HH 3/8x1 1/4"
8	98-3692	1	Key 3/16x3/16x1"	28	98-9150	1	Bearing
9	98-3628	1	Key 3/16x3/16x2 1/2"	29	98-9145	8	Nut-insert
10	3290-357	1	Nut-flange 3/8"	30	98-9139	1	Support-shaft
11	98-3632	1	Washer-flange	31	98-9164	1	Cover - Bearing
12	98-3630	1	Arm-idler	32	32144-23	6	Screw-metal TH 12 x 3/4
13	3256-25	2	Washer-flat 7/16 dia. hole	33	98-9151	1	Seal - Stripping (24")
14	323-9	1	Bolt HH 3/8x1 3/4"				
15	98-3636	1	Spring				
16	705681	2	Bolt CARR. 5/16x1"				
17	98-3624	1	Belt-V (A-59)				
18	32128-20	4	Nut-Lock nylon 5/16"				
19	3230-1	2	Bolt CARR 5/16x3/4"				
20	3229-2	1	Bolt CARR 1/4x1"				



## Hitch & Suction Tube Assembly

Ref.No.	Part No.	Qty.	Description	Ref.No.	Part No.	Qty.	Description
1	98-3609	1	Tube-elbow				
2	3229-24	3	Bolt CARR 1/4x3/4"				
3	32128-33	3	Nut-flange 1/4"				
4	98-3610	1	Tube-straight				
5	98-3666	1	Hitch-quick-tractor				
6	323-6	2	Bolt HH 3/8x1 1/4"				
7	3290-357	4	Nut-flange 3/8"				
8	3269-21	3	Rivet-pop 3/16 NO AD-66BS				
9	98-3693	1	Latch-rubber				
10	3296-48	1	Nut-lock nylon 7/16"				
11	98-3617	1	Idler-double				
12	323-15	4	Bolt HH 3/8x3 1/2"				
13	98-3616	1	Plate-mounting				
14	3296-39	2	Nut-lock nylon 3/8"				
15	98-3614	1	Plate fixation				
16	98-3675	1	Bracket				
17	3256-25	6	Washer-flat 7/16" dia. hole				