



Count on it.

Parts Catalog

GrandStand® Mower

With 40in TURBO FORCE® Cutting Unit

Model No. 74536—Serial No. 313000001 and Up



Ordering Replacement Parts

To order replacement parts, please supply the part number, the quantity, and the description of each part desired.

Understanding Reference Numbers

Each identified part in an illustration has a reference number. The reference number for a part also appears in the parts list, along with other information about the part.

This catalog uses two special reference number formats, one to indicate parts in a service assembly and another to indicate the quantity of a given part in an illustration.

Service Assembly Reference Numbers

Parts in service assemblies have reference numbers in the form a:b. The a represents the reference number of the entire service assembly and the b represents a sequential number unique to each part within the service assembly.

For example, a wheel assembly might be identified by reference number 6, the tire by 6:1, the valve by 6:2, and the wheel by 6:3. When you order the assembly identified by reference number 6, you receive all parts identified by reference numbers 6:1, 6:2, and 6:3. However, you may also order any part individually. Reference numbers of this type appear in illustration and in parts lists.

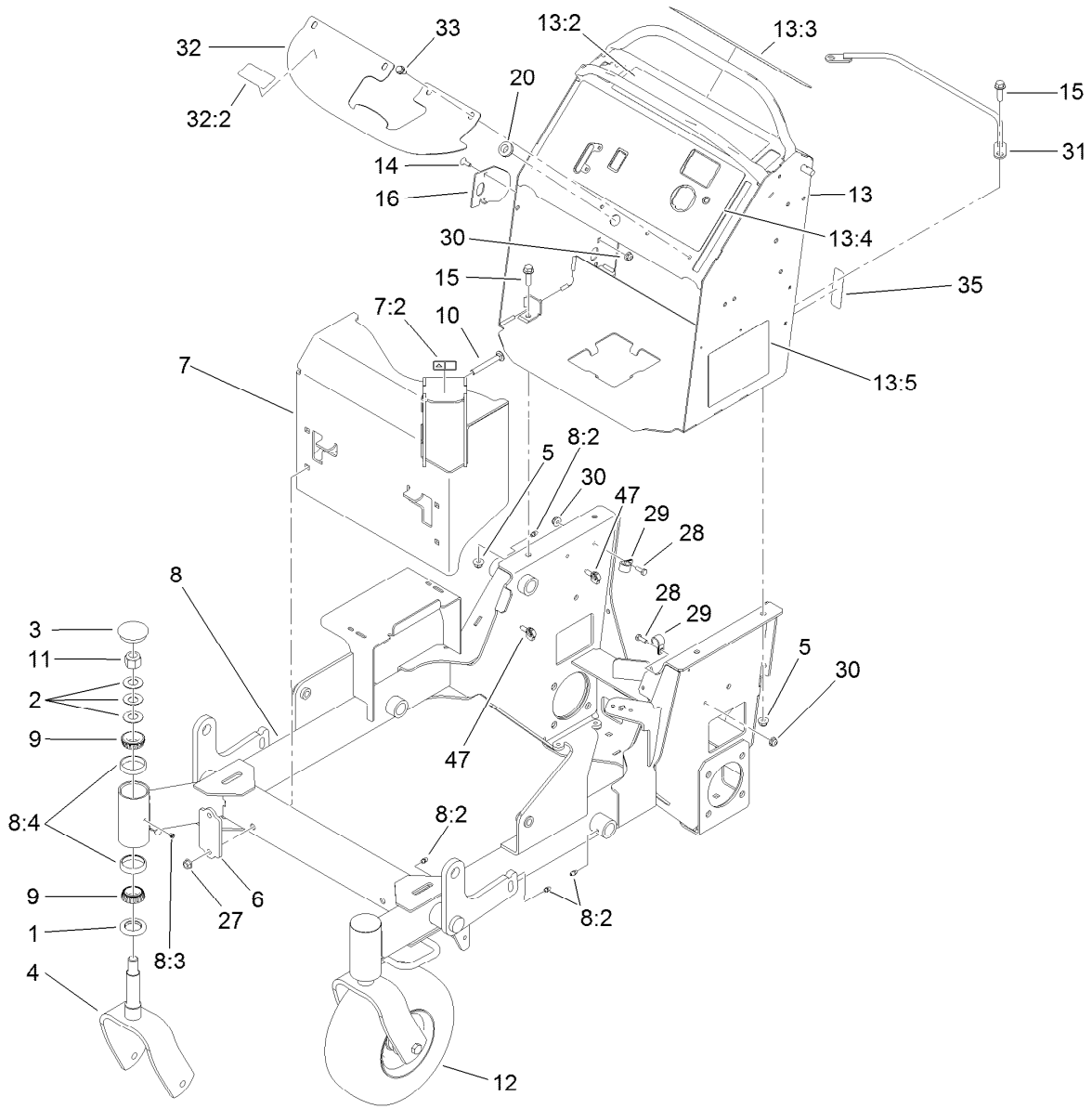
Reference Numbers Indicating Quantity

In an illustration, if a reference number indicates more than one part, the reference number has the form nX y. The n represents the quantity of the part, the X is the multiplication symbol, and the y represents the reference number.

For example, in an illustration, the reference number 2X 37 means that two of the parts identified by reference number 37 are indicated.

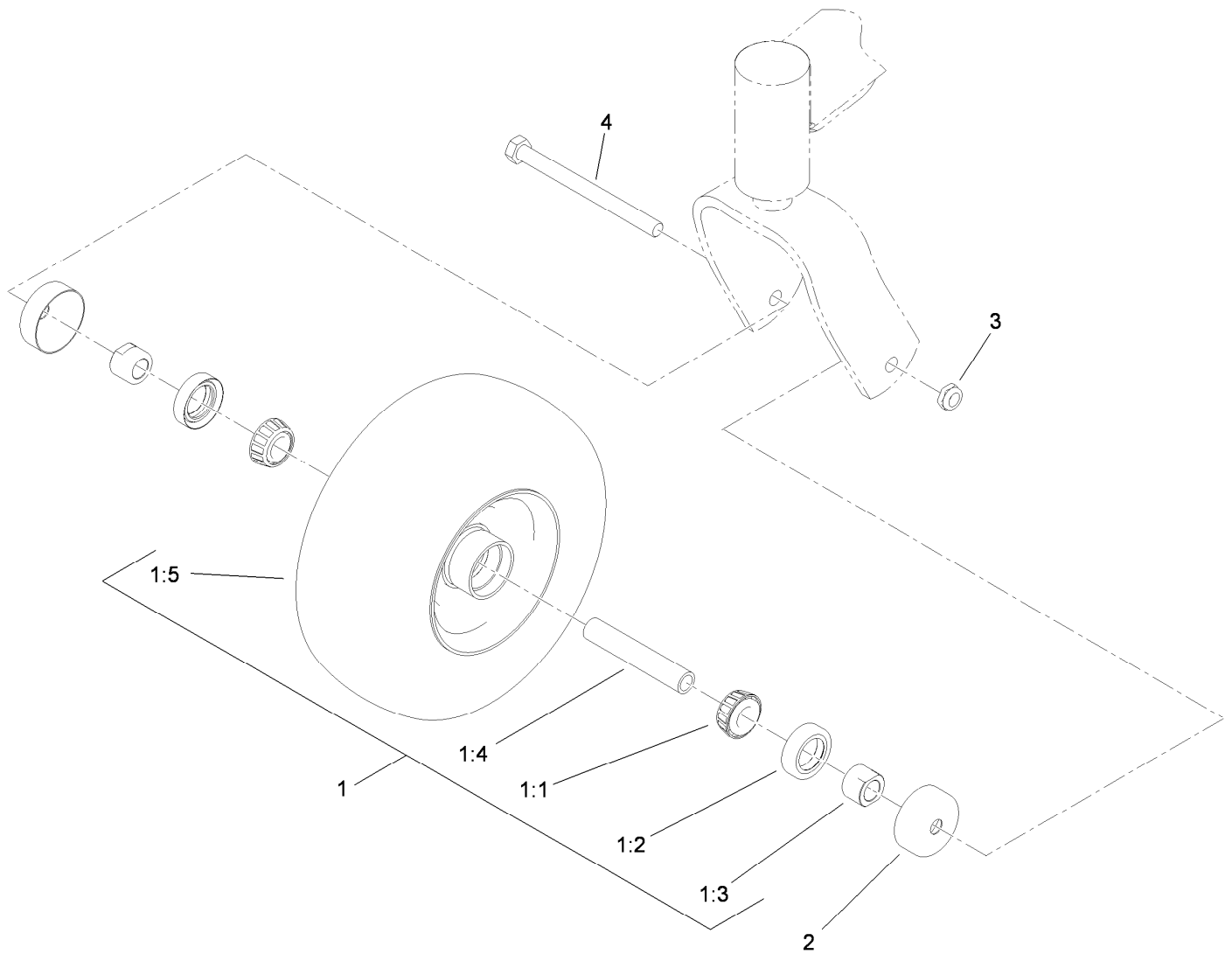
Contents

| | |
|---|----|
| Main Frame Assembly | 4 |
| Wheel and Bearing Assembly No. 112-3810 | 5 |
| Parking Brake Assembly | 6 |
| Height-of-Cut Plate Assembly | 7 |
| Deck Lift Assembly | 8 |
| Deck Lift Spring Assembly No. 119-2338 | 10 |
| Cushion and Platform Assembly | 11 |
| Cushion Assembly No. 117-9770 | 12 |
| Platform Assembly No. 117-7675 | 13 |
| Traction Drive Assembly | 14 |
| Hydraulic Motor Assembly 104-1171 | 16 |
| Hydraulic Pump Assembly No. 119-0176 | 17 |
| Hydraulic Pump Assembly No. 119-0177 | 18 |
| Pump Idler Assembly No. 117-7685 | 19 |
| Motion Control Assembly | 20 |
| Engine Assembly | 21 |
| Fuel Tank Assembly | 23 |
| Vent Hose Assembly | 24 |
| Electrical Assembly | 25 |
| Deck Assembly | 26 |
| Deflector Assembly No. 119-2347 | 28 |
| Spindle Assembly No. 117-7635 | 29 |
| Spindle Assembly No. 117-7636 | 30 |
| Spindle Assembly No. 117-7640 | 31 |
| Deck Decal Assembly No. 121-6020 | 32 |
| Attachments and Accessories | 33 |



Main Frame Assembly

| Ref. | Part Number | Qty. | Description | Ref. | Part Number | Qty. | Description |
|------|-------------|------|----------------------------|------|-------------|------|----------------------------|
| 1 | 1-543511 | 2 | Seal-Grease | 13:2 | 117-0454 | 1 | Decal-OPC |
| 2 | 1-633508 | 6 | Washer-Bellville | 13:3 | 117-3626 | 1 | Decal-Warning |
| 3 | 103-4882 | 2 | Cap-Grease | 13:4 | 125-4679 | 1 | Decal-Panel, Control |
| 4 | 103-8618-01 | 2 | Fork-Caster | 13:5 | 119-0185 | 1 | Decal-Service/Spark Arrest |
| 5 | 104-8301 | 4 | Nut-HF, NI | 14 | 1-807512 | 1 | Bolt-CARR |
| 6 | 119-7303-01 | 2 | Bracket-Mounting, Guard | 15 | 119-4061 | 4 | Screw-HHF |
| 7 | 116-8739 | 1 | Muffer Guard ASM | 16 | 119-7312 | 1 | Plate-Striker |
| 7:2 | 106-5517 | 1 | Decal-Warning | 20 | 112-7069 | 1 | Grommet |
| 8 | 125-4655 | 1 | Frame ASM | 27 | 32128-21 | 4 | Nut-HF |
| 8:2 | 302-5 | 7 | Fitting-Grease | 28 | 321-4 | 2 | Screw-HH |
| 8:3 | 1-811010 | 2 | Plug | 29 | 2412-87 | 2 | Clamp-Cable |
| 8:4 | 1-543508 | 4 | Cup-Bearing | 30 | 104-7201 | 3 | Nut-HF |
| 9 | 1-543509 | 4 | Bearing-Roller, Tapered | 31 | 119-1878-03 | 1 | Retainer-Cable |
| 10 | 3231-10 | 4 | Screw-CARR | 32 | 119-0239 | 1 | Cover-Tank |
| 11 | 3296-51 | 2 | Nut-Lock, NI | 32:2 | 116-3290 | 1 | Decal-Fill, Fuel |
| 12 | 112-3810 | 2 | Wheel/Tire And Bearing ASM | 33 | 32144-70 | 4 | Screw-HWHTF |
| 13 | 125-4675 | 1 | Control Tower ASM | 35 | 116-3267 | 1 | Decal-Fuse |
| | | | | 47 | 32180-040 | 2 | Clip-Harness |

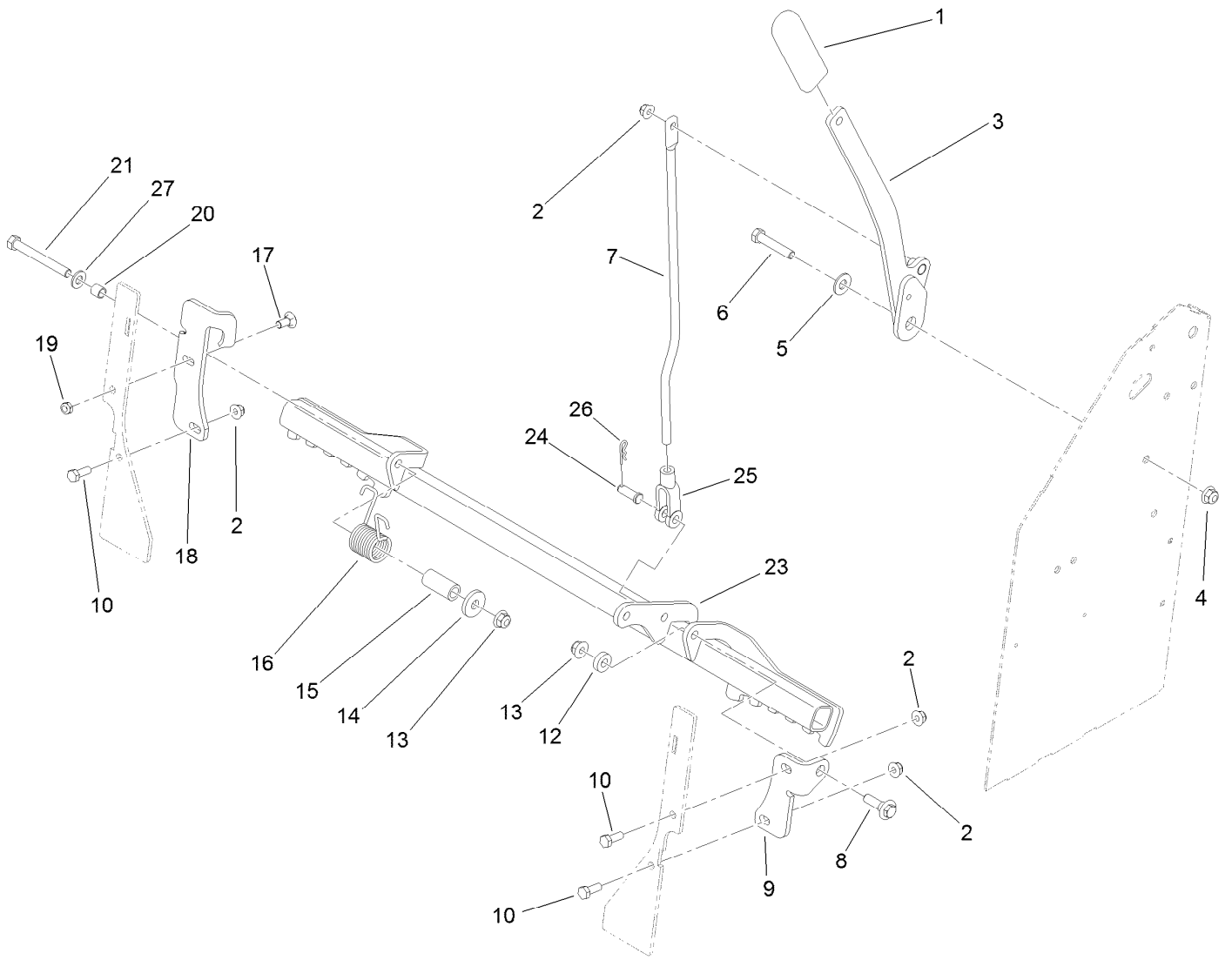


Wheel and Bearing Assembly No. 112-3810

| Ref. | Part Number | Qty. | Description |
|------|-------------|------|-------------------------|
| 1 | | 1 | Wheel And Bearing ASM ● |
| 1:1 | 1-633585 | 2 | Bearing-Cone, Taper |
| 1:2 | 103-0063 | 2 | Seal-Caster |
| 1:3 | 103-3051 | 2 | Spacer-Nut ■ |
| 1:4 | 103-3157 | 1 | Axle-Caster |
| 1:5 | 110-9965 | 1 | Wheel And Tire ASM |
| 2 | 103-2768 | 2 | Guard-Seal |
| 3 | 3296-45 | 1 | Nut-Hex |
| 4 | 325-20 | 1 | Screw-HH |

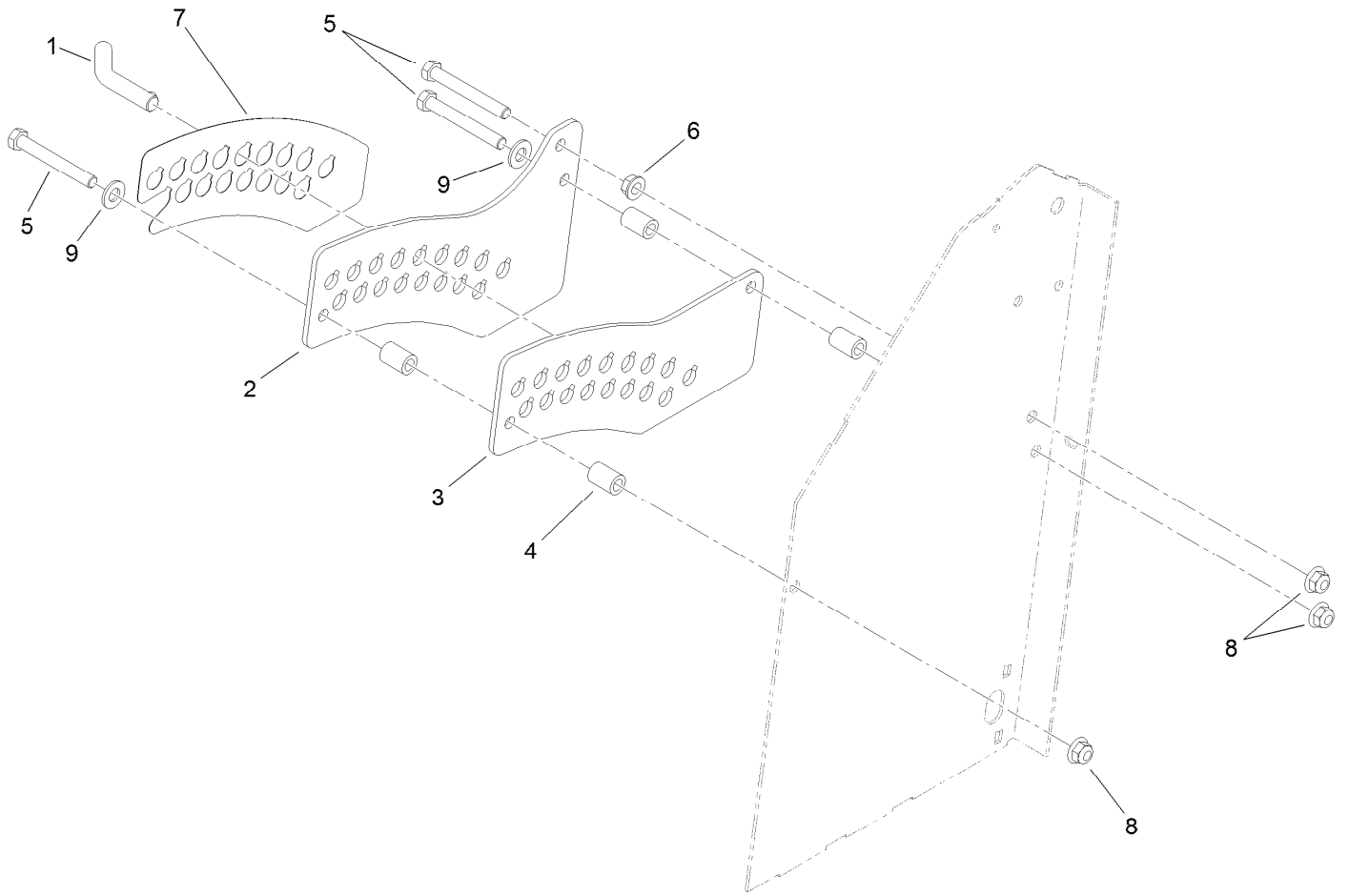
● Not serviced separately

■ Use Pro-Lock, Nut Type (P/N 1-840022, .5ml tube) on spacer nut



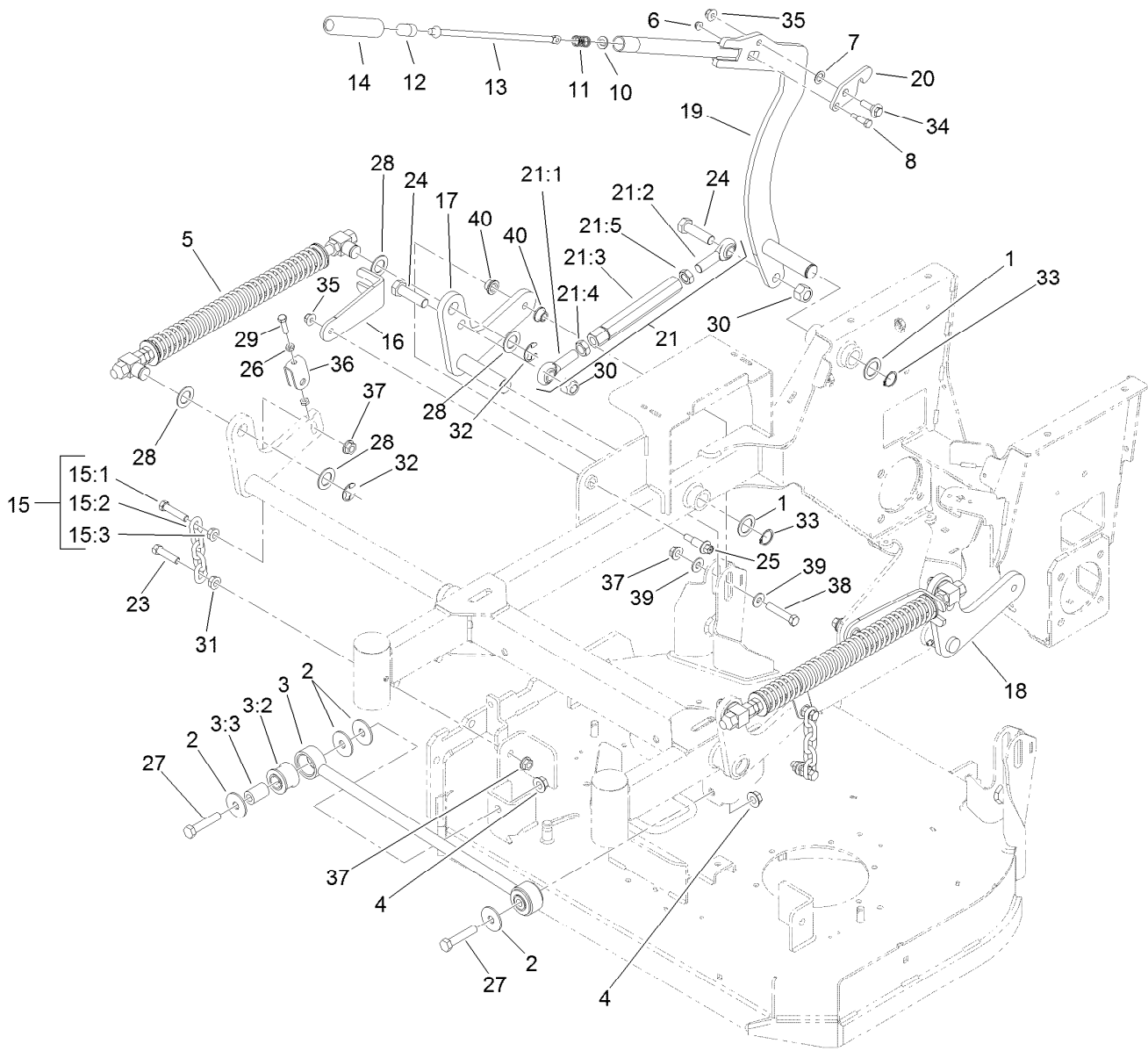
Parking Brake Assembly

| <i>Ref.</i> | <i>Part Number</i> | <i>Qty.</i> | <i>Description</i> | <i>Ref.</i> | <i>Part Number</i> | <i>Qty.</i> | <i>Description</i> |
|-------------|--------------------|-------------|-------------------------|-------------|--------------------|-------------|-------------------------|
| 1 | 1-633268 | 1 | Grip-Lever | 15 | 117-9683 | 1 | Spacer |
| 2 | 104-8300 | 4 | Nut-HF, NI | 16 | 108-4052 | 1 | Spring-Torsion |
| 3 | 119-1861-01 | 1 | Handle-Brake | 17 | 3230-1 | 1 | Bolt-CARR |
| 4 | 104-8301 | 1 | Nut-HF, NI | 18 | 125-4667-01 | 1 | Bracket-Brake Mount, RH |
| 5 | 3256-4 | 1 | Washer-Flat | 19 | 3296-47 | 1 | Nut-Lock, NI |
| 6 | 323-10 | 1 | Screw-HH | 20 | 117-9684 | 1 | Spacer |
| 7 | 117-6199 | 1 | Rod-Link, Brake | 21 | 323-20 | 1 | Screw-HH |
| 8 | 614672 | 1 | Screw-Shoulder, HWH | 23 | 116-4600-03 | 1 | Bar-Brake |
| 9 | 119-1860-01 | 1 | Bracket-Brake Mount, LH | 24 | 283-2 | 1 | Pin-Clevis |
| 10 | 322-4 | 3 | Screw-HH | 25 | 1-633131 | 1 | Yoke-Linkage, Brake |
| 12 | 5-0652 | 1 | Spacer | 26 | 3290-307 | 1 | Pin-Cotter |
| 13 | 104-8301 | 2 | Nut-HF, NI | 27 | 3256-24 | 1 | Washer-Flat |
| 14 | 1-373034 | 1 | Washer | | | | |



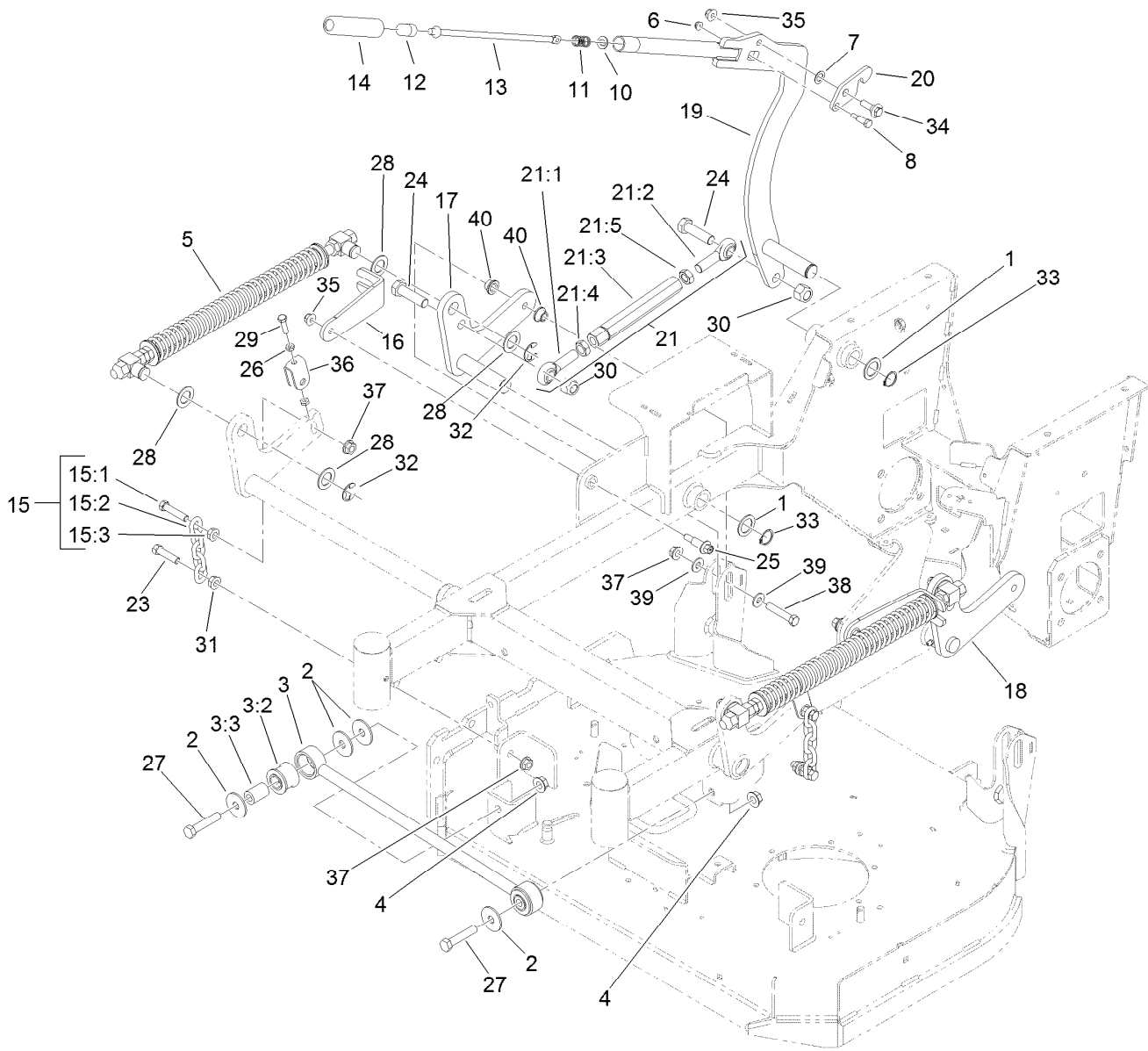
Height-of-Cut Plate Assembly

| <i>Ref.</i> | <i>Part Number</i> | <i>Qty.</i> | <i>Description</i> |
|-------------|--------------------|-------------|--------------------|
| 1 | 116-5584 | 1 | Pin-HOC |
| 2 | 117-5286-01 | 1 | Plate-HOC, Outside |
| 3 | 117-5287-01 | 1 | Plate-HOC, Inside |
| 4 | 114-2754 | 4 | Spacer |
| 5 | 323-14 | 3 | Screw-HH |
| 6 | 3290-357 | 1 | Nut-HHF, Whiz |
| 7 | 119-2317 | 1 | Decal-HOC |
| 8 | 104-8301 | 3 | Nut-HF, NI |
| 9 | 3256-24 | 2 | Washer-Flat |



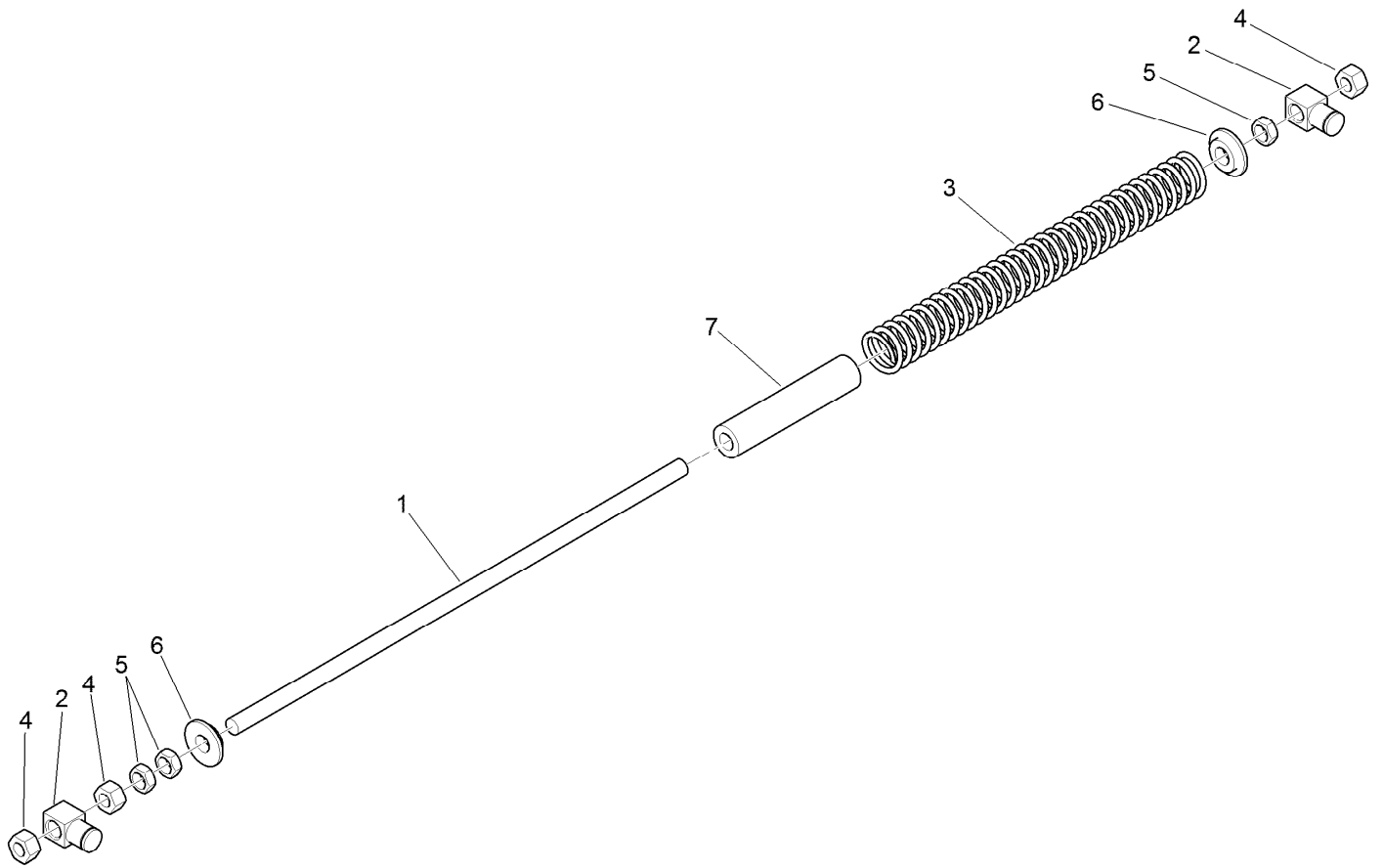
Deck Lift Assembly

| Ref. | Part Number | Qty. | Description | Ref. | Part Number | Qty. | Description |
|------|-------------|------|----------------------------|------|-------------|------|---------------------|
| 1 | 1-523157 | 3 | Washer-Spacer | 17 | 121-6014-01 | 1 | Arm-Lift, RH |
| 2 | 86-1990 | 2 | Washer-Thrust | 18 | 121-6013-01 | 1 | Arm-Lift, LH |
| 3 | 109-5013 | 1 | Panhard Rod ASM | 19 | 117-5290-01 | 1 | Arm-Lift, HOC |
| 3:2 | 109-5009 | 2 | Bushing-Suspension, Rubber | 20 | 117-5292 | 1 | Latch-HOC |
| 3:3 | 109-5010 | 2 | Spacer | 21 | 119-0383 | 1 | Deck Lift Link ASM |
| 4 | 32128-23 | 2 | Nut-HF | 21:1 | 1-633029 | 1 | Balljoint-Spherical |
| 5 | 119-2338 | 2 | Deck Lift Spring ASM | 21:2 | 117-5291 | 1 | Balljoint-Spherical |
| 6 | 104-7201 | 1 | Nut-HF | 21:3 | 119-0382 | 1 | Link-Lift, Deck |
| 7 | 98-1629 | 1 | Washer | 21:4 | 3220-6 | 1 | Nut-Jam |
| 8 | 119-2309 | 1 | Bolt-Shoulder | 21:5 | 117-5293 | 1 | Nut-Jam |
| 10 | 114-1207 | 1 | Washer-Special | 23 | 324-7 | 2 | Screw-HH |
| 11 | 114-8187 | 1 | Spring-Compression | 24 | 327-22 | 2 | Screw-HH |
| 12 | 115-2750 | 1 | Knob | 25 | 62-1330 | 2 | Bolt-Shoulder |
| 13 | 119-2331 | 1 | Rod-Latch | 26 | 3218-2 | 4 | Nut-Jam |
| 14 | 115-3592 | 1 | Grip | 27 | 325-10 | 2 | Screw-HH |
| 15 | 116-0756 | 2 | Deck Lift Chain ASM | 28 | 119-2332 | 8 | Washer-Flat |
| 15:1 | 1-633447 | 1 | Chain-Lift, Deck | 29 | 119-3626 | 2 | Screw-HH |
| 15:2 | 109-9065 | 1 | Screw-HH | 30 | 3296-53 | 2 | Nut-Lock, NI |
| 15:3 | 32128-37 | 1 | Nut-HF | 31 | 32128-37 | 2 | Nut-HF |
| 16 | 119-2302-01 | 2 | Bracket-Fork | 32 | 32151-103 | 4 | Ring-Retaining, EXT |
| | | | | 33 | 32151-29 | 3 | Ring-Retaining |



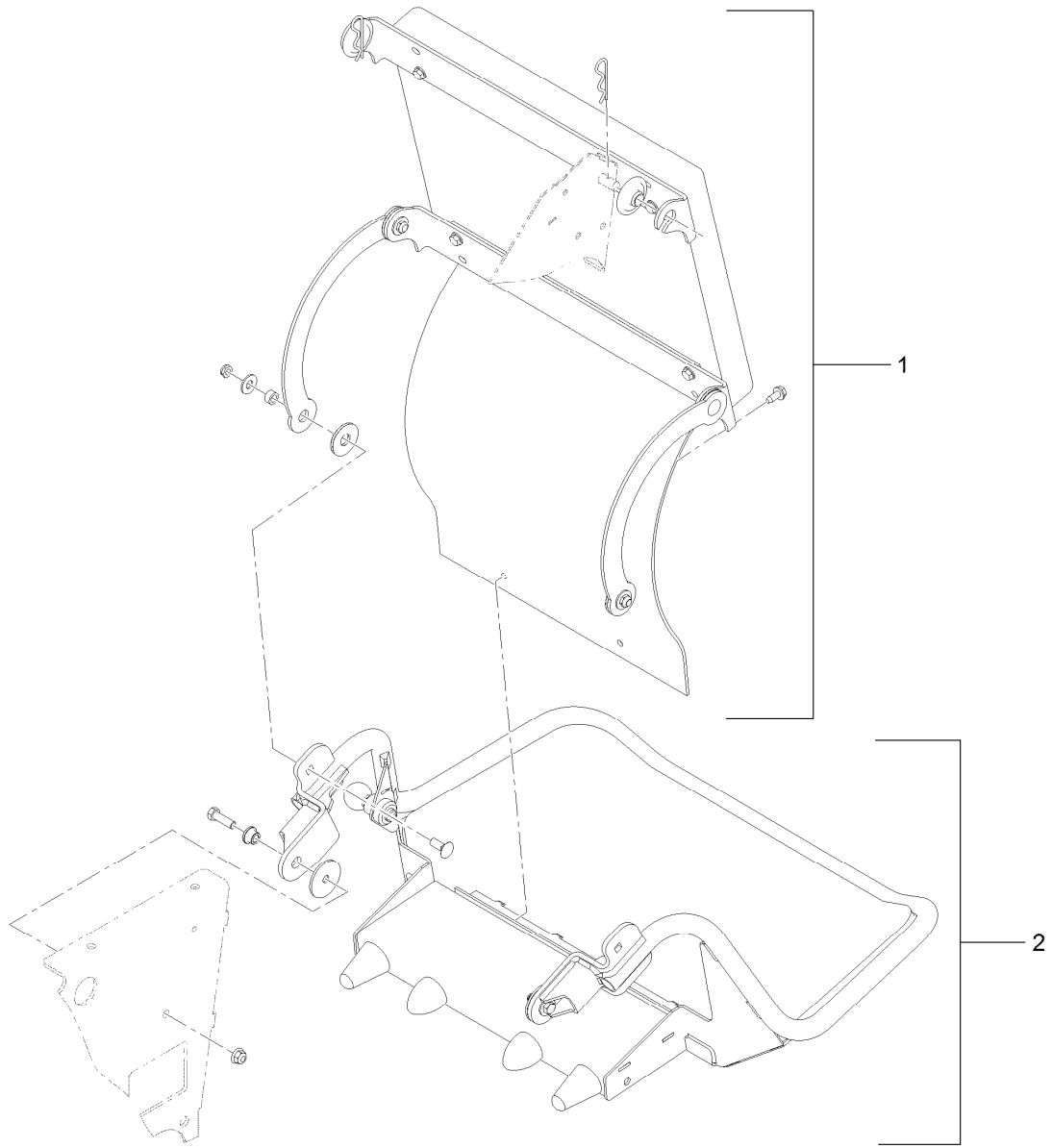
Deck Lift Assembly (continued)

| <i>Ref.</i> | <i>Part Number</i> | <i>Qty.</i> | <i>Description</i> | <i>Ref.</i> | <i>Part Number</i> | <i>Qty.</i> | <i>Description</i> |
|-------------|--------------------|-------------|---------------------|-------------|--------------------|-------------|--------------------|
| 34 | 614672 | 1 | Screw-Shoulder, HWH | 38 | 324-9 | 2 | Screw-HH |
| 35 | 104-8301 | 3 | Nut-HF, NI | 39 | 3256-4 | 4 | Washer-Flat |
| 36 | 109-9066 | 2 | Yoke-Adjust, Deck | 40 | 116-2428 | 4 | Bushing-Flanged |
| 37 | 32128-42 | 6 | Nut-HF | | | | |



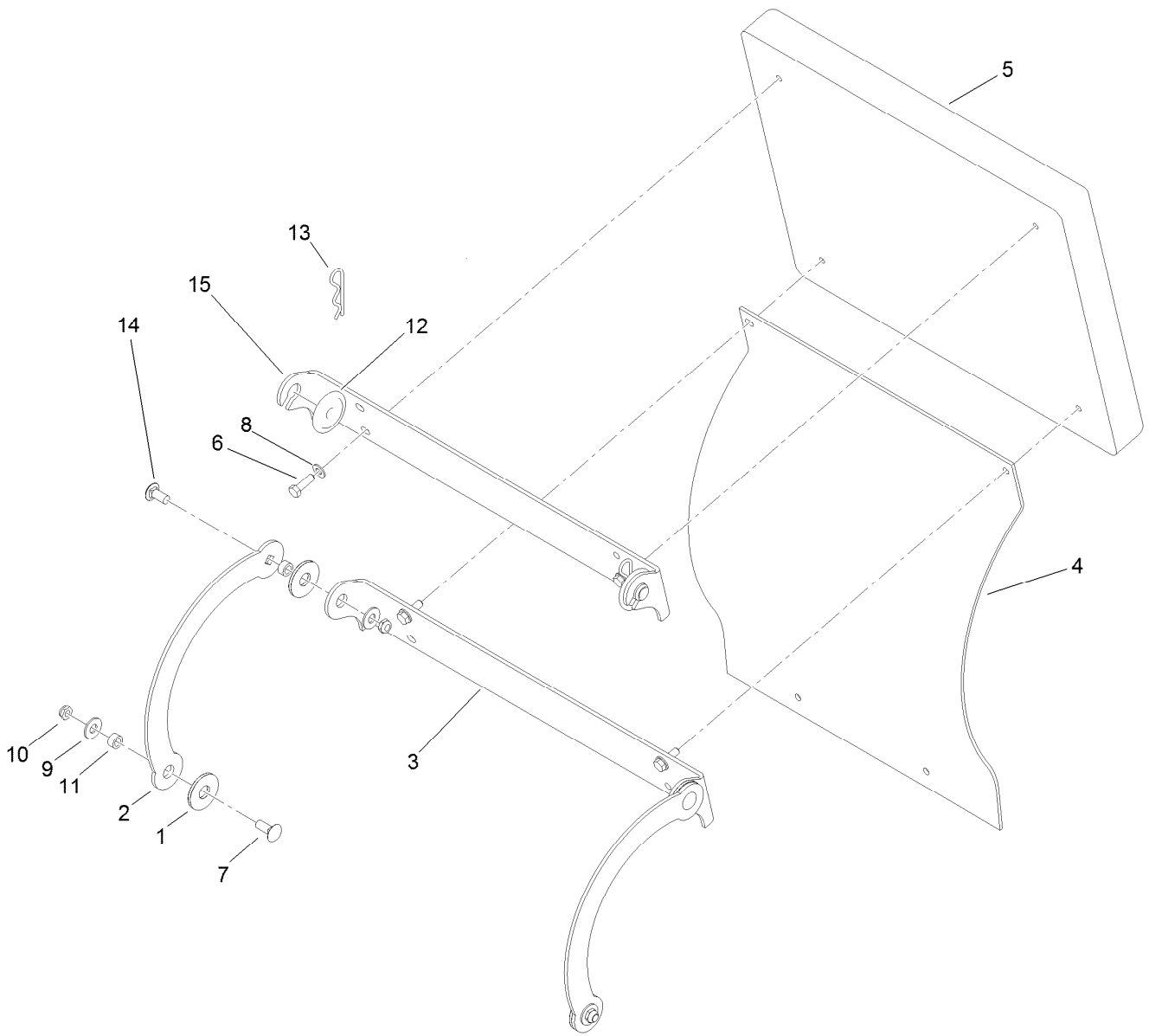
Deck Lift Spring Assembly No. 119-2338

| Ref. | Part Number | Qty. | Description |
|------|-------------|------|-------------------------|
| 1 | 119-2333 | 1 | Rod-Lift, Deck |
| 2 | 1-633441 | 2 | Swivel-Deck Mount, Rear |
| 3 | 119-2328 | 1 | Spring-Compression |
| 4 | 3217-11 | 3 | Nut-Hex |
| 5 | 3218-6 | 3 | Nut-Jam |
| 6 | 119-2334 | 2 | Washer-Step |
| 7 | 119-2335 | 1 | Tube-Guide, Spring |



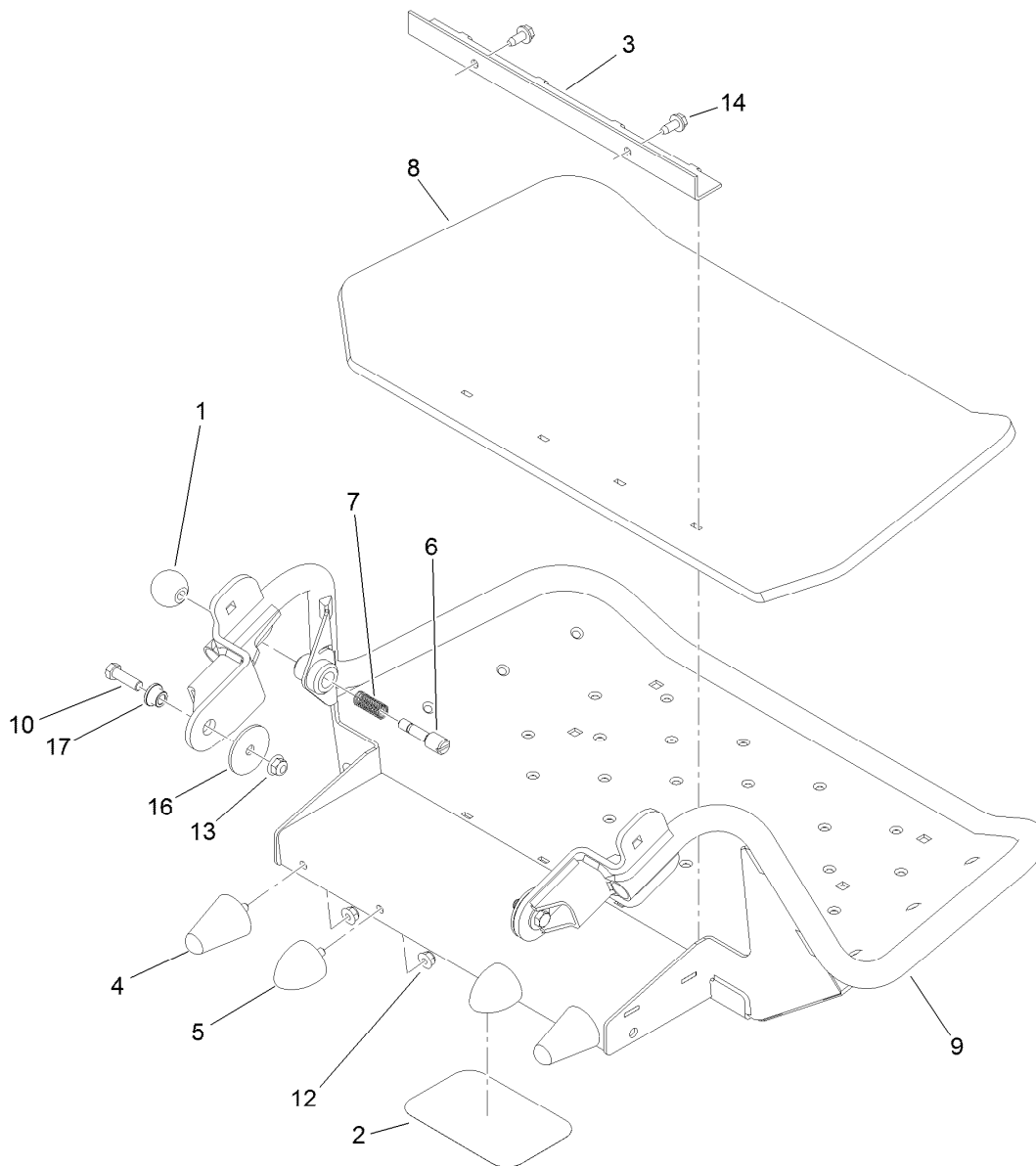
Cushion and Platform Assembly

| <i>Ref.</i> | <i>Part Number</i> | <i>Qty.</i> | <i>Description</i> |
|-------------|--------------------|-------------|--------------------|
| 1 | 117-9770 | 1 | Cushion ASM |
| 2 | 117-7675 | 1 | Platform ASM |



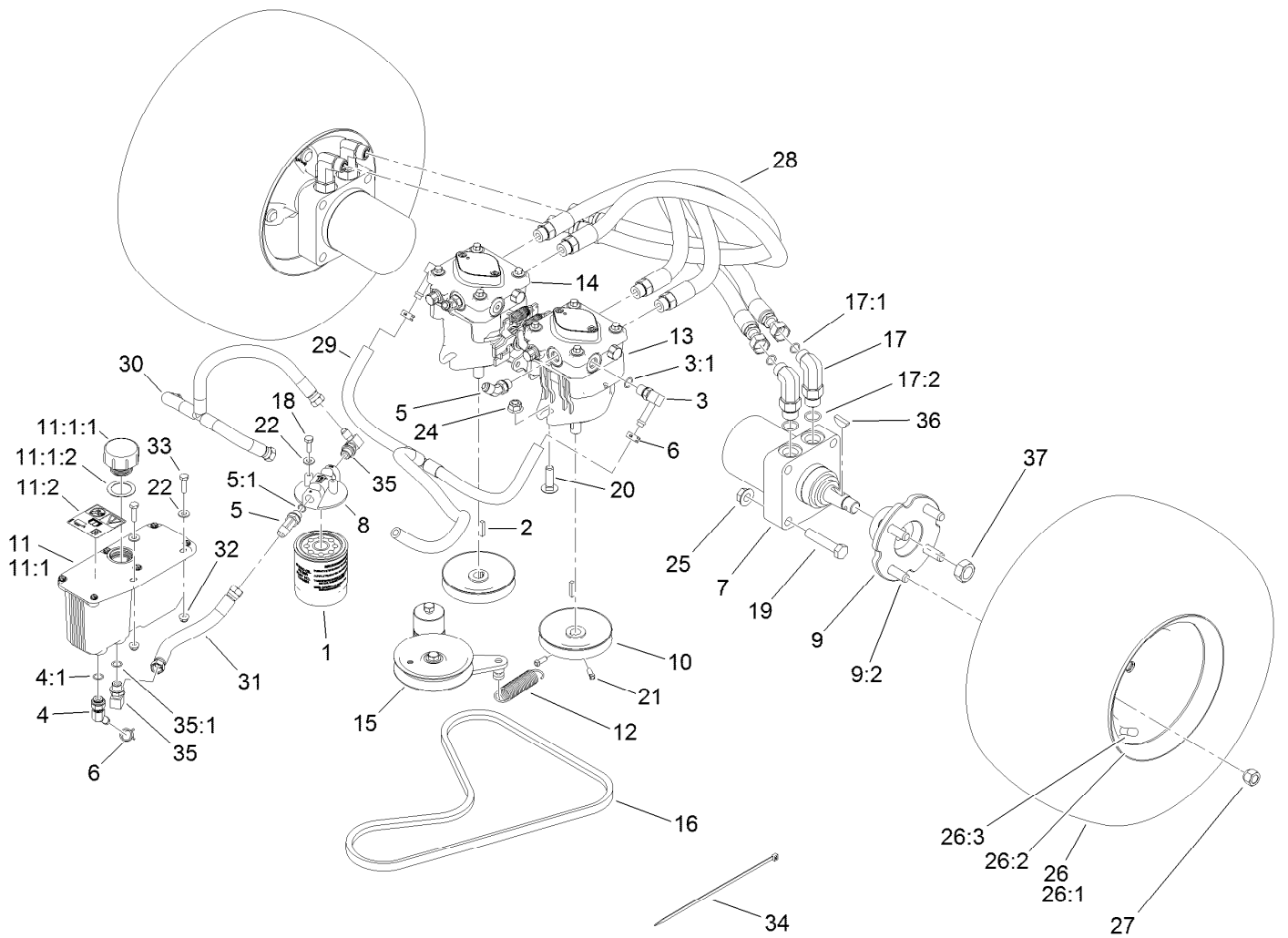
Cushion Assembly No. 117-9770

| Ref. | Part Number | Qty. | Description |
|------|-------------|------|----------------------------|
| 1 | 114-0463 | 4 | Washer-Friction, Composite |
| 2 | 114-1915-01 | 2 | Link-Pad |
| 3 | 116-2061-03 | 1 | Hinge-Pad |
| 4 | 114-1919 | 1 | Shield-Rear |
| 5 | 117-9739 | 1 | Pad-Cushion |
| 6 | 322-5 | 4 | Screw-HH |
| 7 | 3231-2 | 2 | Bolt-CARR |
| 8 | 3256-23 | 4 | Washer-Plain |
| 9 | 3256-4 | 4 | Washer-Flat |
| 10 | 3296-59 | 4 | Nut-Lock, NI |
| 11 | 111044 | 4 | Spacer |
| 12 | 116-2886 | 2 | Slide-Bushing |
| 13 | 3290-355 | 2 | Pin-Hair |
| 14 | 3231-27 | 2 | Screw-CARR |
| 15 | 116-2757-03 | 1 | Hinge-Pad |



Platform Assembly No. 117-7675

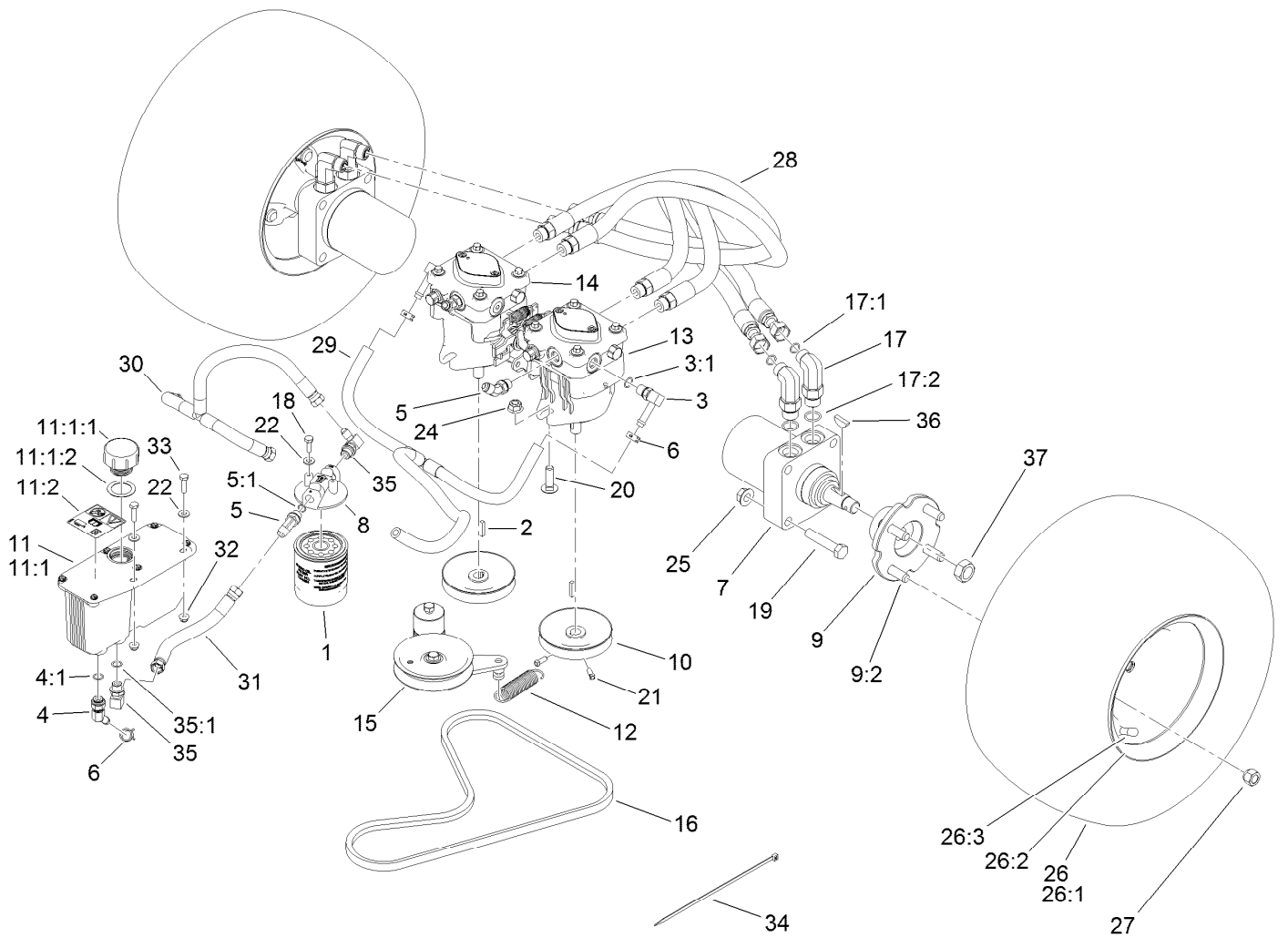
| <i>Ref.</i> | <i>Part Number</i> | <i>Qty.</i> | <i>Description</i> |
|-------------|--------------------|-------------|--------------------|
| 1 | 1-603175 | 1 | Knob-Ball |
| 2 | 68-3640 | 1 | Decal |
| 3 | 114-1920-03 | 1 | Clamp-Shield |
| 4 | 114-1925 | 2 | Bumper-Rubber |
| 5 | 114-1926 | 2 | Bumper-Rubber |
| 6 | 119-8650 | 1 | Pin-Latch |
| 7 | 114-5348 | 1 | Spring |
| 8 | 114-5349 | 1 | Mat-Foot |
| 9 | 117-7660-01 | 1 | Platform |
| 10 | 323-7 | 2 | Screw-HH |
| 12 | 104-8300 | 4 | Nut-HF, NI |
| 13 | 104-8301 | 2 | Nut-HF, NI |
| 14 | 32144-11 | 2 | Screw-HWHTF |
| 16 | 83-1040 | 2 | Washer-Flat |
| 17 | 109-8788 | 2 | Bushing-Flanged |



Traction Drive Assembly

| Ref. | Part Number | Qty. | Description | Ref. | Part Number | Qty. | Description |
|--------|-------------|------|---------------------------|------|-------------|------|--------------------|
| 1 | 114-3494 | 1 | Element-Filter, 25 Micron | 11:2 | 115-4212 | 1 | Decal-Warning |
| 2 | 1-807272 | 2 | Key | 12 | 108-4056 | 1 | Spring-Extension |
| 3 | 100-4887 | 2 | Fitting-Elbow, 90 | 13 | 119-0176 | 1 | Hydraulic Pump ASM |
| 3:1 | 237-42 | 1 | O-Ring | 14 | 119-0177 | 1 | Hydraulic Pump ASM |
| 4 | 103-1807 | 1 | Fitting-Barbed, 45 DEG | 15 | 117-7685 | 1 | Pump Idler ASM |
| 4:1 | 237-42 | 1 | O-Ring | 16 | 119-0174 | 1 | Belt-V |
| 5 | 353-212 | 3 | Fitting-Elbow, 45 DEG | 17 | 119-8680 | 4 | Fitting-Elbow, 90 |
| 5:1 | 237-42 | 1 | O-Ring | 17:1 | 237-30 | 1 | O-Ring |
| 6 | 103-1988 | 3 | Clamp-Hose | 17:2 | 237-80 | 1 | O-Ring |
| 7 | 104-1171 | 2 | HYD Motor ASM | 18 | 321-4 | 2 | Screw-HH |
| 8 | 104-7836 | 1 | Head-Filter | 19 | 325-10 | 8 | Screw-HH |
| 9 | 105-0800 | 2 | Wheel Hub ASM | 20 | 3232-3 | 4 | Bolt-CARR |
| 9:2 | 10-6830 | 4 | Stud-Type, Drive | 21 | 3241-5 | 4 | Screw-Set |
| 10 | 105-5648 | 2 | Pulley-Pump | 22 | 3256-22 | 4 | Washer-Flat |
| 11 | 107-8433 | 1 | HYD Reservoir ASM | 24 | 114-8417 | 4 | Nut-HF, NI |
| 11:1 | | 1 | Reservoir-HYD ● | 25 | 32128-23 | 8 | Nut-HF |
| 11:1:1 | 103-1948 | 1 | Cap-Reservoir, HYD | 26 | 120-6450 | 2 | Wheel/Tire ASM |
| 11:1:2 | 103-1949 | 1 | Gasket-Cap | 26:1 | 116-4605 | 1 | Rim-8 Inch |

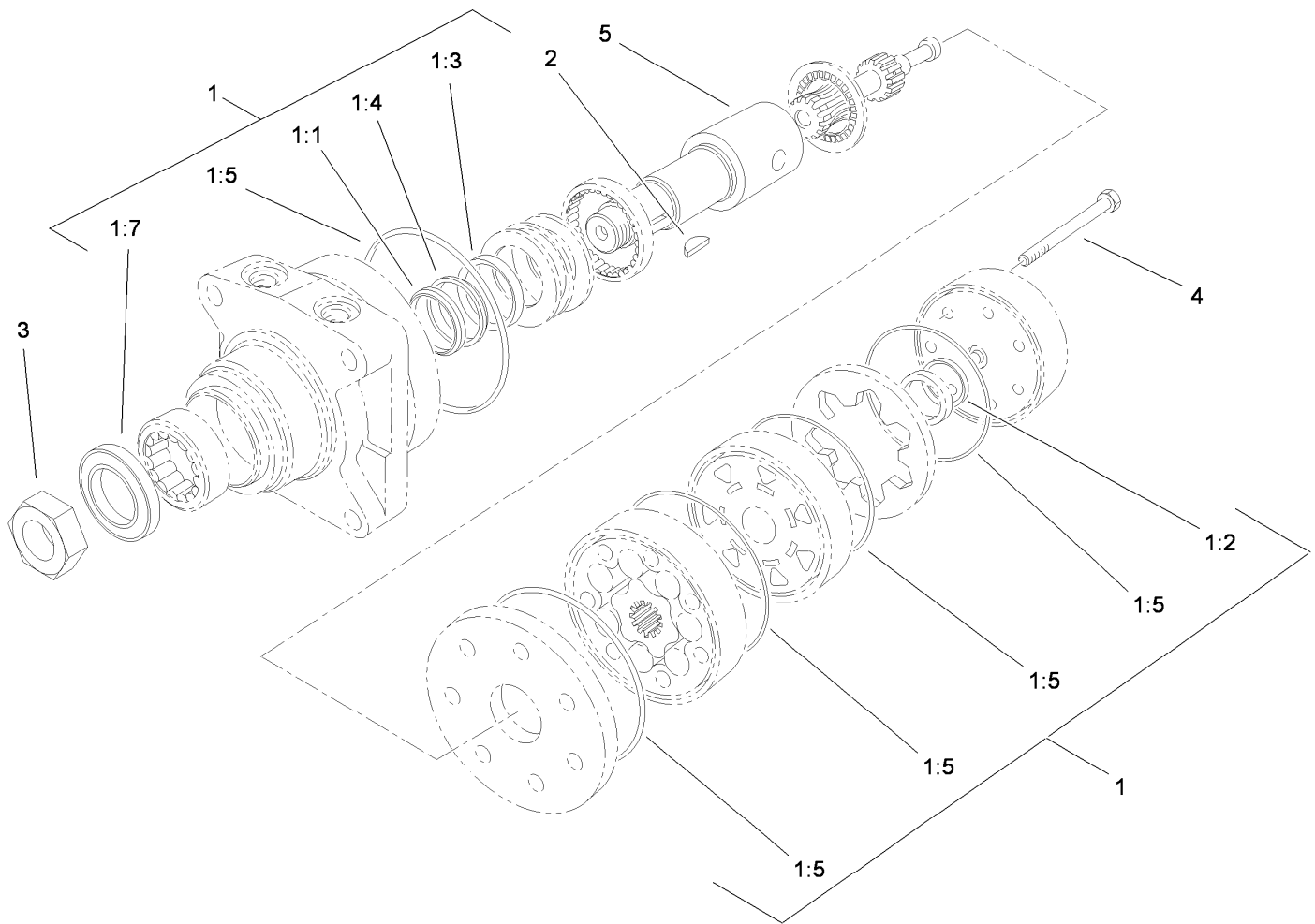
● Not serviced separately



Traction Drive Assembly (continued)

| <i>Ref.</i> | <i>Part Number</i> | <i>Qty.</i> | <i>Description</i> | <i>Ref.</i> | <i>Part Number</i> | <i>Qty.</i> | <i>Description</i> |
|-------------|--------------------|-------------|--------------------|-------------|--------------------|-------------|-----------------------|
| 26:2 | 120-6451 | 1 | Tire | 32 | 104-7201 | 2 | Nut-HF |
| 26:3 | 232-27 | 1 | Stem-Valve | 33 | 321-6 | 2 | Screw-HH |
| 27 | 242-50 | 8 | Nut-Lug | 34 | 3290-378 | 1 | Tie-Cable |
| 28 | 119-0173 | 4 | HYD Hose ASM | 35 | 103-1802 | 2 | Fitting-Elbow, 90 DEG |
| 29 | 119-8745 | 1 | HYD Hose ASM | 35:1 | 1-603921 | 1 | O-Ring |
| 30 | 119-0206 | 1 | HYD Hose ASM | 36 | 3257-8 | 2 | Key-Woodruff |
| 31 | 119-0203 | 1 | HYD Hose ASM | 37 | 85-7310 | 2 | Nut-Motor, Wheel |

● Not serviced separately

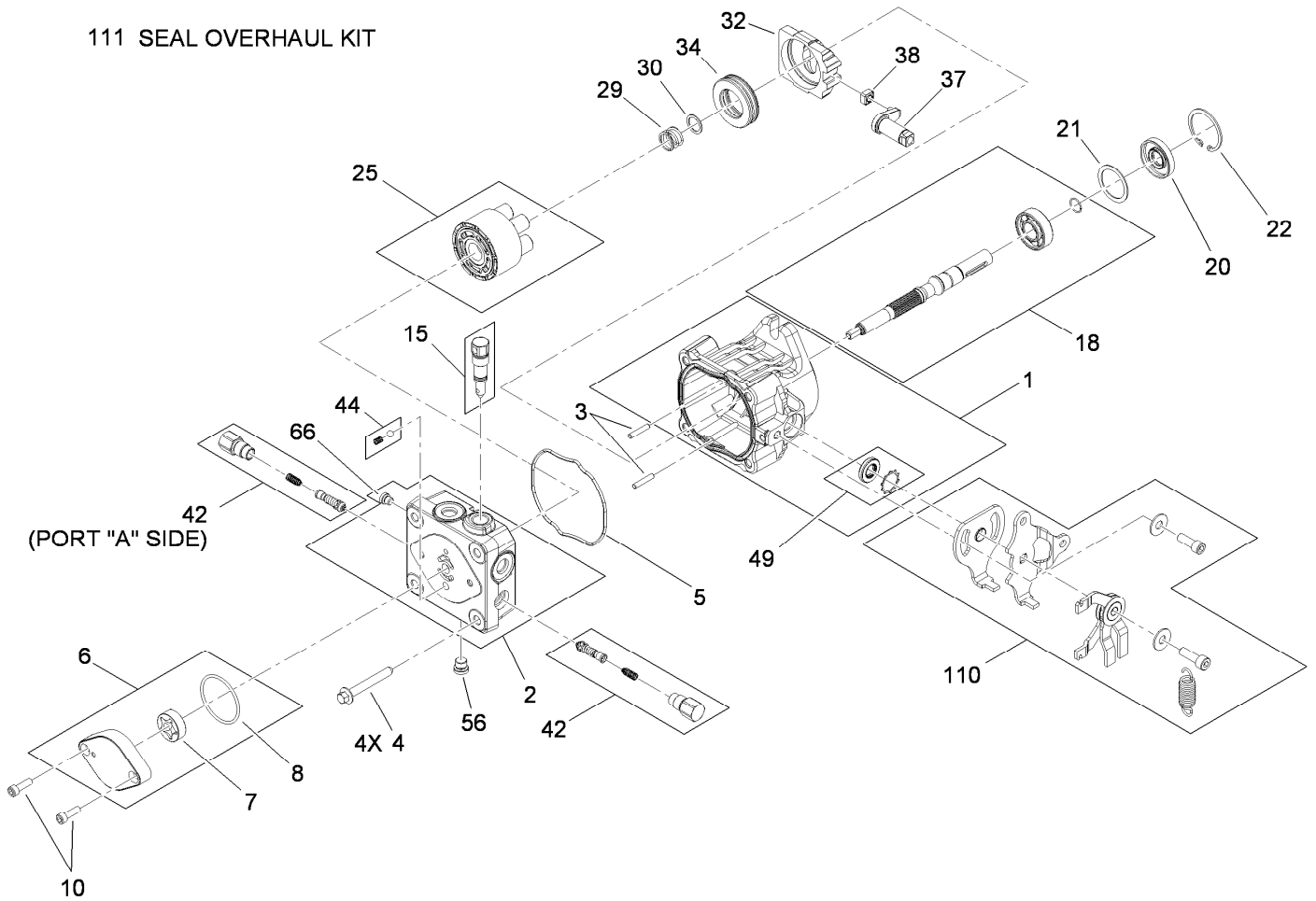


Hydraulic Motor Assembly 104-1171

| Ref. | Part Number | Qty. | Description |
|------|-------------|------|-------------------------|
| 1 | 1-000119 | 1 | Seal Kit |
| 1:1 | | 1 | Ring-Back Up ● |
| 1:2 | | 1 | Seal-Commutator ● |
| 1:3 | | 1 | Seal-Shaft (Viton) ● |
| 1:4 | | 1 | Washer-Back Up, Steel ● |
| 1:5 | | 5 | Ring-Seal (Viton) ● |
| 1:7 | | 1 | Seal-Dirt And Water ● |
| 2 | 3257-8 | 1 | Key-Woodruff |
| 3 | 85-7310 | 1 | Nut-Motor, Wheel |
| 4 | 106-5549 | 6 | Bolt-Special |
| 5 | 106-8764 | 1 | Shaft-Coupling |

● Not serviced separately

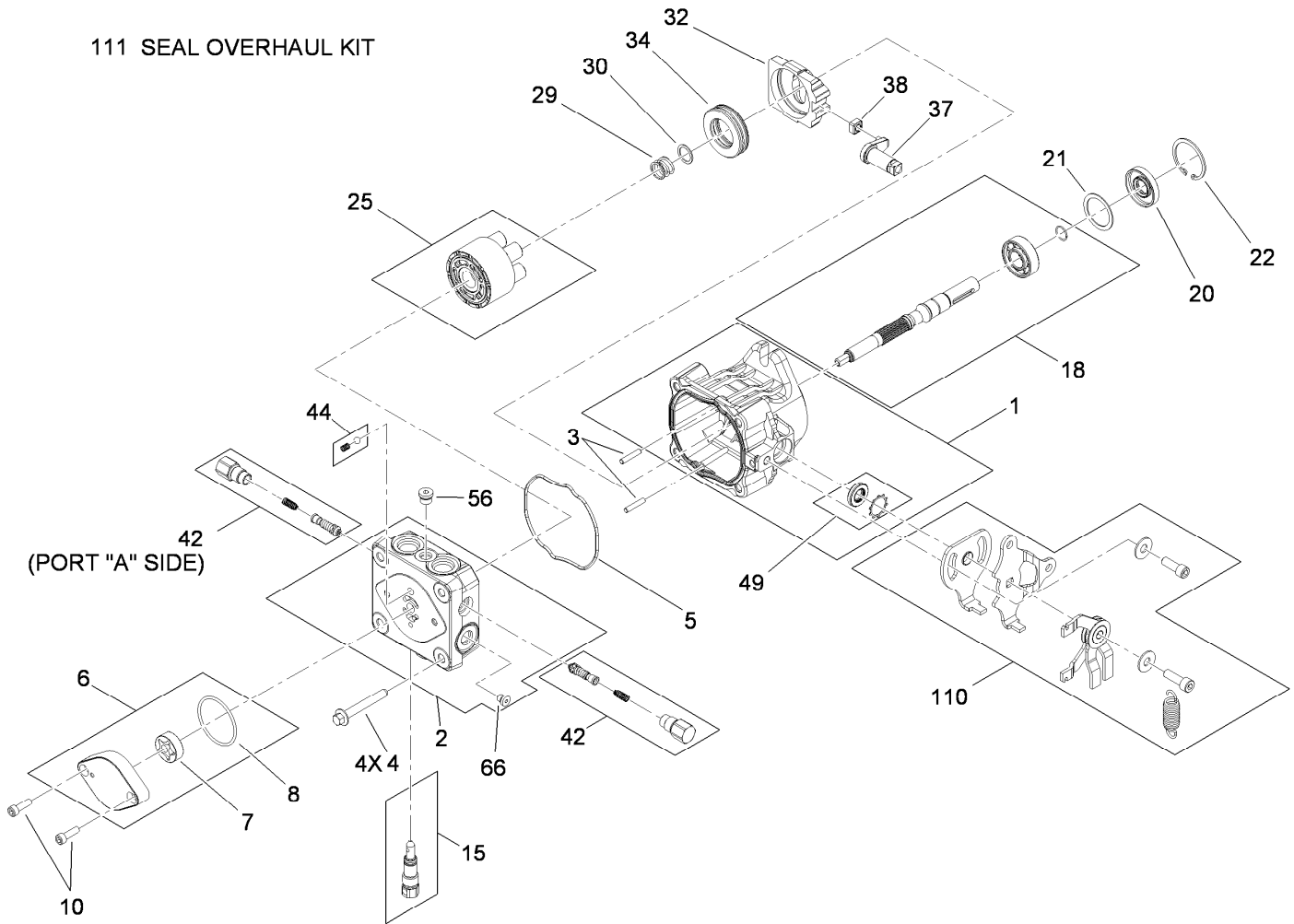
111 SEAL OVERHAUL KIT



Hydraulic Pump Assembly No. 119-0176

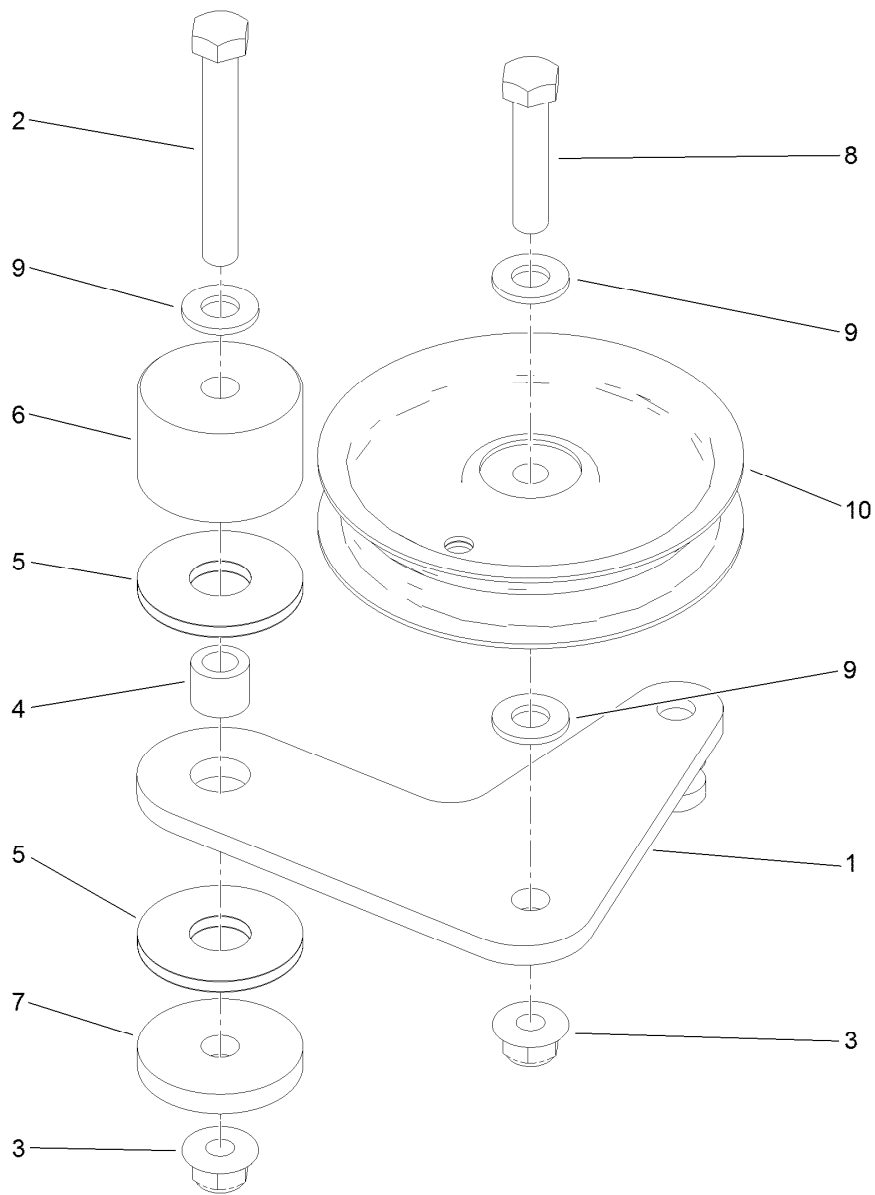
| Ref. | Part Number | Qty. | Description | Ref. | Part Number | Qty. | Description |
|------|-------------|------|------------------------|------|-------------|------|------------------------------|
| 1 | 115-4464 | 1 | Housing Kit | 29 | 94-1936 | 1 | Spring-Block |
| 2 | 119-0184 | 1 | End Cap STD Charge Kit | 30 | 94-1937 | 1 | Washer-Thrust |
| 3 | 106-8753 | 2 | Pin-Headless, Straight | 32 | 94-1907 | 1 | Swashplate-Variable |
| 4 | 106-8754 | 4 | Bolt-HF | 34 | 94-6922 | 1 | Bearing-Thrust |
| 5 | 106-8755 | 1 | O-Ring | 37 | 115-4458 | 1 | Arm-Trunnion, Tapered Square |
| 6 | 106-8756 | 1 | Charge Pump Kit | 38 | 94-1910 | 1 | Guide-Slot |
| 7 | 104-2122 | 1 | Gerotor ASM | 42 | 98-3252 | 2 | Valve-Check (W/Poppet) |
| 8 | 106-8757 | 1 | O-Ring | 44 | 112-4164 | 1 | Charge Relief Kit |
| 10 | 104-2111 | 2 | Capscrew | 49 | 106-8761 | 1 | Trunnion Seal / Retainer Kit |
| 15 | 106-8759 | 1 | Bypass Valve Kit | 56 | 106-8762 | 1 | Plug-HSH |
| 18 | 103-2664 | 1 | Input Shaft Kit | 66 | 106-8763 | 1 | Plug-HSH |
| 20 | 104-5310 | 1 | Seal-Lip | 110 | 115-4459 | 1 | Kit-Return |
| 21 | 104-5308 | 1 | Spacer | 111 | 105-6184 | 1 | Seal Overhaul Kit |
| 22 | 104-5309 | 1 | Ring-Retaining | | | | |
| 25 | 103-2666 | 1 | Cylinder Block Kit | | | | |

111 SEAL OVERHAUL KIT



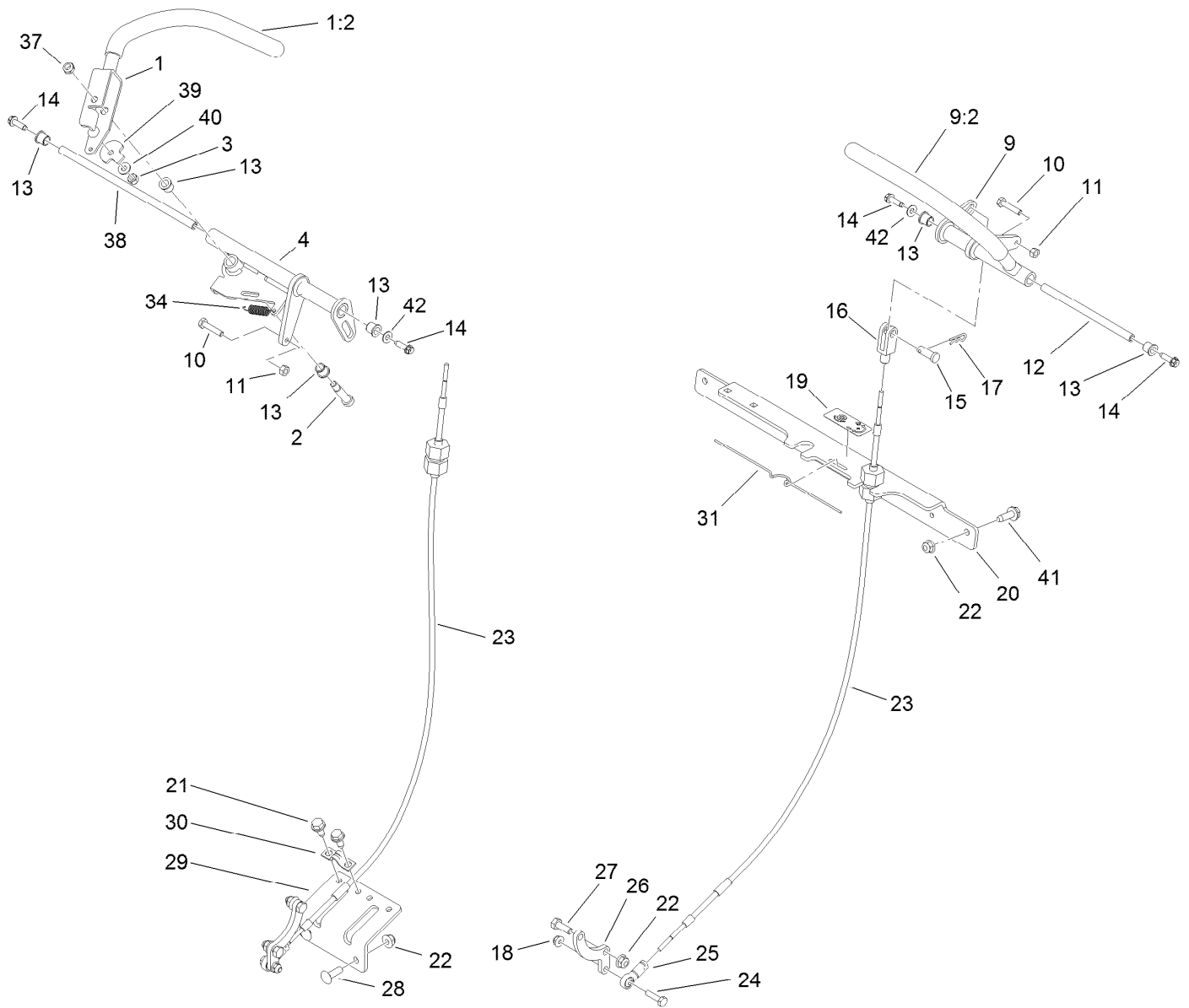
Hydraulic Pump Assembly No. 119-0177

| Ref. | Part Number | Qty. | Description | Ref. | Part Number | Qty. | Description |
|------|-------------|------|------------------------|------|-------------|------|------------------------------|
| 1 | 115-4464 | 1 | Housing Kit | 29 | 94-1936 | 1 | Spring-Block |
| 2 | 119-0184 | 1 | End Cap STD Charge Kit | 30 | 94-1937 | 1 | Washer-Thrust |
| 3 | 106-8753 | 2 | Pin-Headless, Straight | 32 | 94-1907 | 1 | Swashplate-Variable |
| 4 | 106-8754 | 4 | Bolt-HF | 34 | 94-6922 | 1 | Bearing-Thrust |
| 5 | 106-8755 | 1 | O-Ring | 37 | 115-4458 | 1 | Arm-Trunnion, Tapered Square |
| 6 | 106-8756 | 1 | Charge Pump Kit | 38 | 94-1910 | 1 | Guide-Slot |
| 7 | 104-2122 | 1 | Gerotor ASM | 42 | 98-3252 | 2 | Valve-Check (W/Poppet) |
| 8 | 106-8757 | 1 | O-Ring | 44 | 112-4164 | 1 | Charge Relief Kit |
| 10 | 104-2111 | 2 | Capscrew | 49 | 106-8761 | 1 | Trunnion Seal / Retainer Kit |
| 15 | 106-8759 | 1 | Bypass Valve Kit | 56 | 106-8762 | 1 | Plug-HSH |
| 18 | 103-2664 | 1 | Input Shaft Kit | 66 | 106-8763 | 1 | Plug-HSH |
| 20 | 104-5310 | 1 | Seal-Lip | 110 | 115-4459 | 1 | Kit-Return |
| 21 | 104-5308 | 1 | Spacer | 111 | 105-6184 | 1 | Seal Overhaul Kit |
| 22 | 104-5309 | 1 | Ring-Retaining | | | | |
| 25 | 103-2666 | 1 | Cylinder Block Kit | | | | |



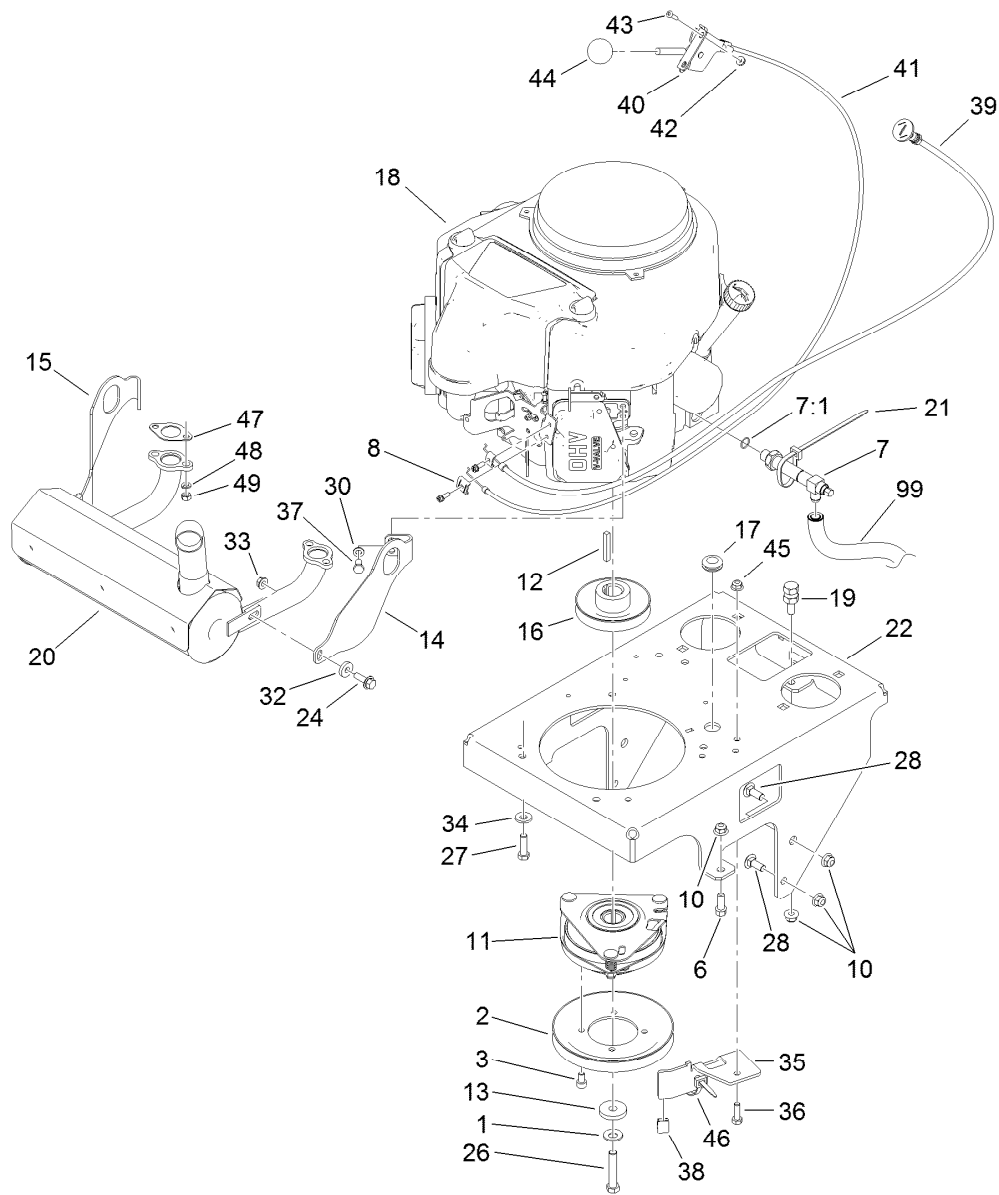
Pump Idler Assembly No. 117-7685

| <i>Ref.</i> | <i>Part Number</i> | <i>Qty.</i> | <i>Description</i> |
|-------------|--------------------|-------------|----------------------------|
| 1 | 117-7684 | 1 | Plate-Idler |
| 2 | 323-13 | 1 | Screw-HH |
| 3 | 104-8301 | 2 | Nut-HF, NI |
| 4 | 1-413088 | 1 | Bushing-Lever, Lift |
| 5 | 114-0463 | 2 | Washer-Friction, Composite |
| 6 | 116-7599 | 1 | Hub, Idler |
| 7 | 110-9981 | 1 | Washer-Plain |
| 8 | 323-9 | 1 | Screw-HH |
| 9 | 3256-24 | 3 | Washer-Flat |
| 10 | 93-1622 | 1 | Pulley-Idler |



Motion Control Assembly

| Ref. | Part Number | Qty. | Description | Ref. | Part Number | Qty. | Description |
|------|-------------|------|-----------------------------|------|-------------|------|----------------------|
| 1 | 119-1887 | 1 | Lever-Motion, RH | 21 | 32144-70 | 4 | Screw-HWHTF |
| 1:2 | 119-0222 | 1 | Grip | 22 | 104-8300 | 8 | Nut-HF, NI |
| 2 | 114-0239 | 1 | Screw-HSH | 23 | 117-6225 | 2 | Cable ASM |
| 3 | 3296-42 | 1 | Nut-Lock, NI | 24 | 321-6 | 2 | Screw-HH |
| 4 | 125-4670 | 1 | Motion Control ASM-RH | 25 | 117-6222 | 2 | Rod End-Ball Joint |
| 9 | 125-4671 | 1 | LH Motion Control ASM | 26 | 117-6204 | 2 | Arm-Control, Pump |
| 9:2 | 119-0222 | 1 | Grip | 27 | 322-4 | 4 | Screw-HH |
| 10 | 114-0282 | 2 | Screw-HH | 28 | 3230-10 | 2 | Bolt-CARR |
| 11 | 3217-5 | 2 | Nut-Hex | 29 | 117-6238-01 | 1 | Bracket-Clamp, Cable |
| 12 | 119-1885 | 1 | Shaft-Pivot, Motion Control | 30 | 93-2279 | 2 | Clamp-Cable |
| 13 | 103-9928 | 6 | Bearing | 31 | 114-0433 | 1 | Clip-Spring |
| 14 | 80-0700 | 4 | Screw-HH, Torx | 34 | 114-0249 | 1 | Spring-Extension |
| 15 | 1-808284 | 2 | Pin-Clevis | 37 | 3296-47 | 1 | Nut-Lock, NI |
| 16 | 119-1869 | 2 | Yoke-Female | 38 | 119-1886 | 1 | Shaft-Pivot |
| 17 | 3290-307 | 2 | Pin-Cotter | 39 | 114-0268 | 1 | Cam-Lever |
| 18 | 104-7201 | 2 | Nut-HF | 40 | 3256-22 | 1 | Washer-Flat |
| 19 | 119-1854 | 1 | Decal-Tracking, Hydro | 41 | 3234-29 | 2 | Screw-HHF |
| 20 | 117-6239-01 | 1 | Bracket-Cross | 42 | 3256-1 | 2 | Washer-Flat |

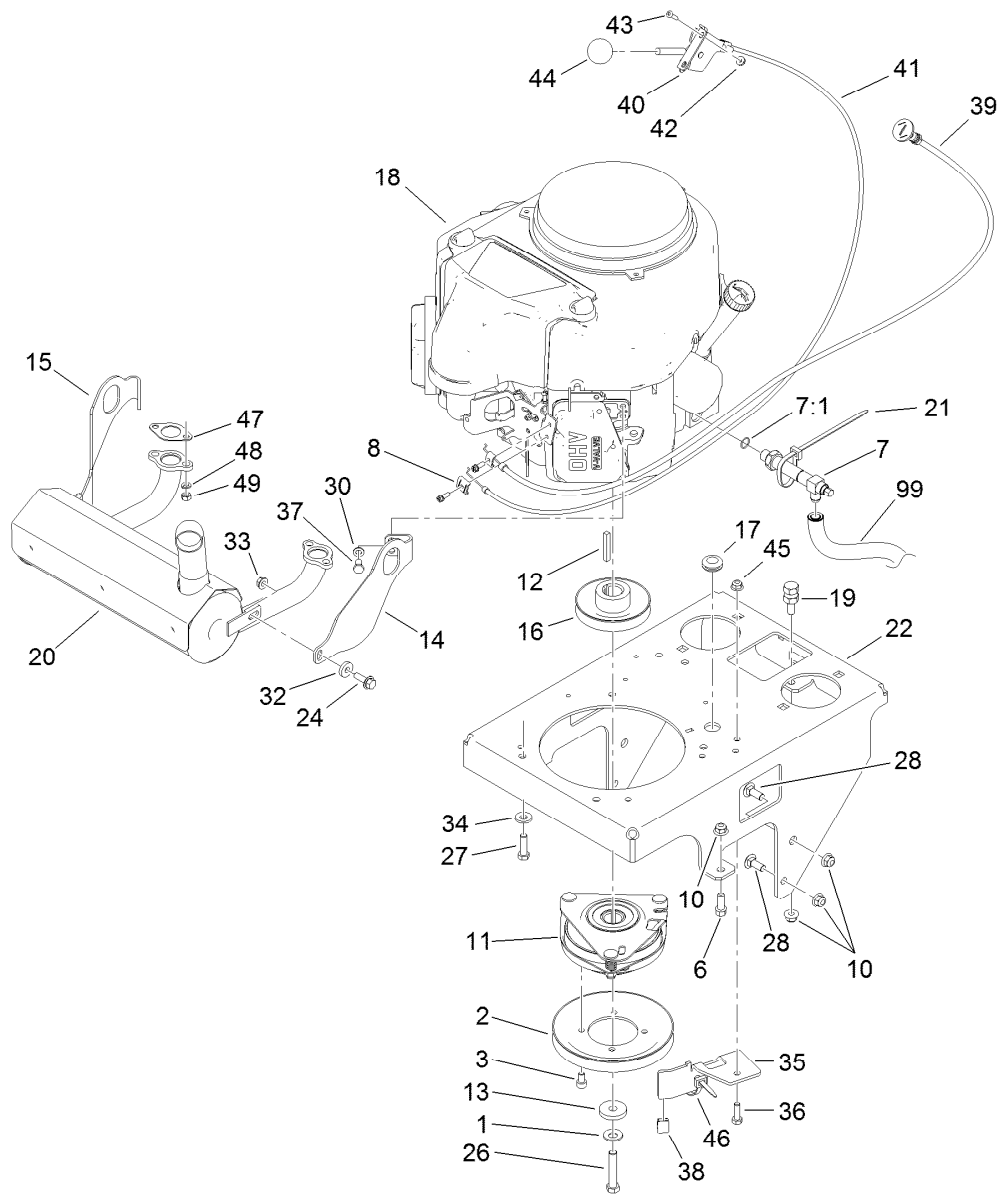


Engine Assembly

| Ref. | Part Number | Qty. | Description | Ref. | Part Number | Qty. | Description |
|------|-------------|------|--------------------------|------|-------------|------|----------------------------|
| 1 | 1-603610 | 1 | Washer-Spring | 20 | 116-8746 | 1 | Muffer |
| 2 | 119-0215 | 1 | Pulley | 21 | 3290-378 | 1 | Tie-Cable |
| 3 | 119-0221 | 4 | Screw-HSH | 22 | 119-0170-01 | 1 | Base-Engine |
| 6 | 92-1624 | 2 | Screw-HWH | 24 | 3234-29 | 2 | Screw-HHF |
| 7 | 116-6126 | 1 | Valve-Drain Oil | 26 | 3212-9 | 1 | Screw-HH |
| 7:1 | 138-4636 | 1 | O-Ring | 27 | 323-7 | 4 | Screw-HH |
| 8 | 81-1690 | 1 | Clamp-Cable | 28 | 3231-2 | 4 | Bolt-CARR |
| 10 | 104-8301 | 7 | Nut-HF, NI | 30 | 3253-4 | 4 | Washer-Lock |
| 11 | 119-0220 | 1 | Clutch/Brake ASM | 32 | 104-7658 | 2 | Spacer |
| 12 | 608006 | 1 | Key-Square | 33 | 32128-25 | 2 | Nut-HF |
| 13 | 107-4136 | 1 | Washer | 34 | 98-5975 | 4 | Washer-Belleville |
| 14 | 116-2353 | 1 | Bracket-Muffer Mount, LH | 35 | 121-5984-03 | 1 | Bracket-Clutch Stop |
| 15 | 116-2354 | 1 | Bracket-Muffer Mount, RH | 36 | 322-5 | 1 | Screw-HH |
| 16 | 112-7067 | 1 | Pulley | 37 | 33114-016 | 4 | Screw-HH |
| 17 | 112-7069 | 1 | Grommet | 38 | 109-3765 | 1 | Bumper |
| 18 | 1 | 1 | Engine-Kawasaki, Fs541V | 39 | 106-9962 | 1 | Control-Choke, Push / Pull |
| 19 | 114-5866 | 1 | Anchor-Spring, Short | 40 | 110-5547 | 1 | Lever-Control |
| | | | | 41 | 119-1882 | 1 | Cable-Control |

● Not serviced separately

■ Obtain parts from www.kawpowerpc.com

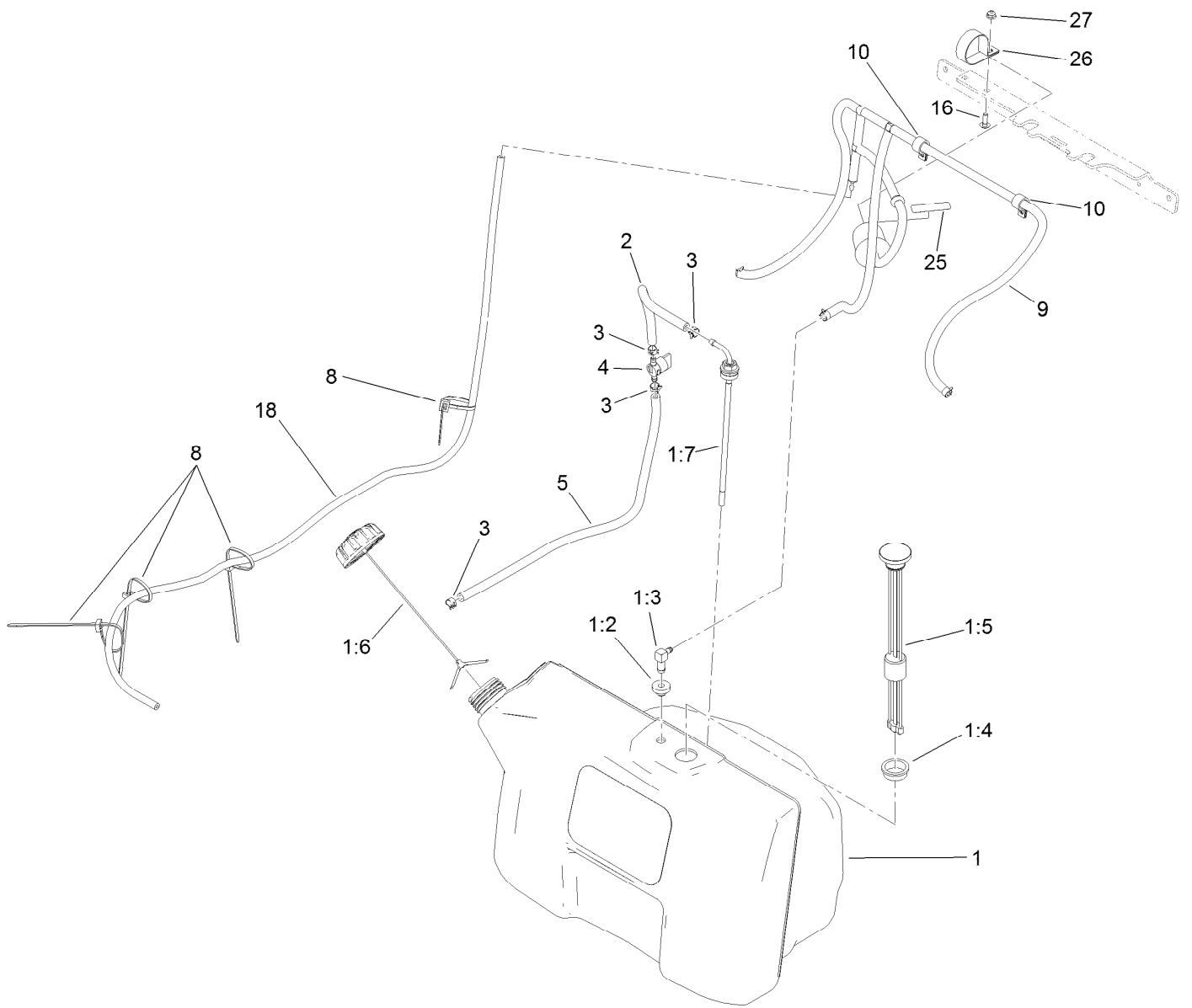


Engine Assembly (continued)

| Ref. | Part Number | Qty. | Description | Ref. | Part Number | Qty. | Description |
|------|-------------|------|------------------|------|-------------|------|-----------------|
| 42 | 32128-17 | 2 | Nut-Lock, Flange | 47 | 1-653313 | 2 | Gasket-Exhaust |
| 43 | 1-807533 | 2 | Bolt-CARR | 48 | 114-3550 | 4 | Washer-Lock |
| 44 | 1-603175 | 1 | Knob-Ball | 49 | 114-3549 | 4 | Nut |
| 45 | 104-8300 | 1 | Nut-HF, NI | 99 | 103-1964 | 1 | Hose-Drain, Oil |
| 46 | 3290-378 | 2 | Tie-Cable | | | | |

● Not serviced separately

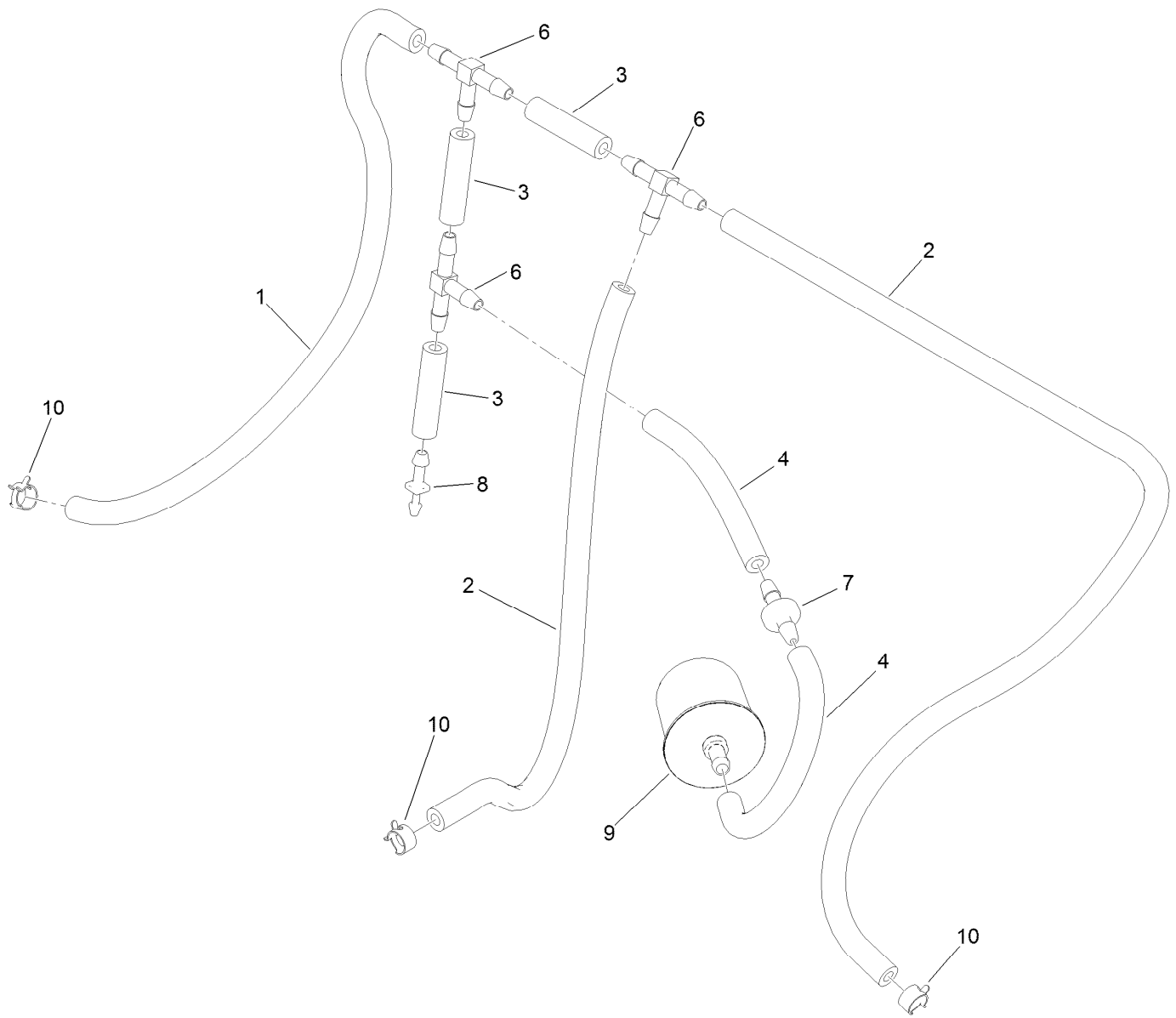
■ Obtain parts from www.kawpowerpc.com



Fuel Tank Assembly

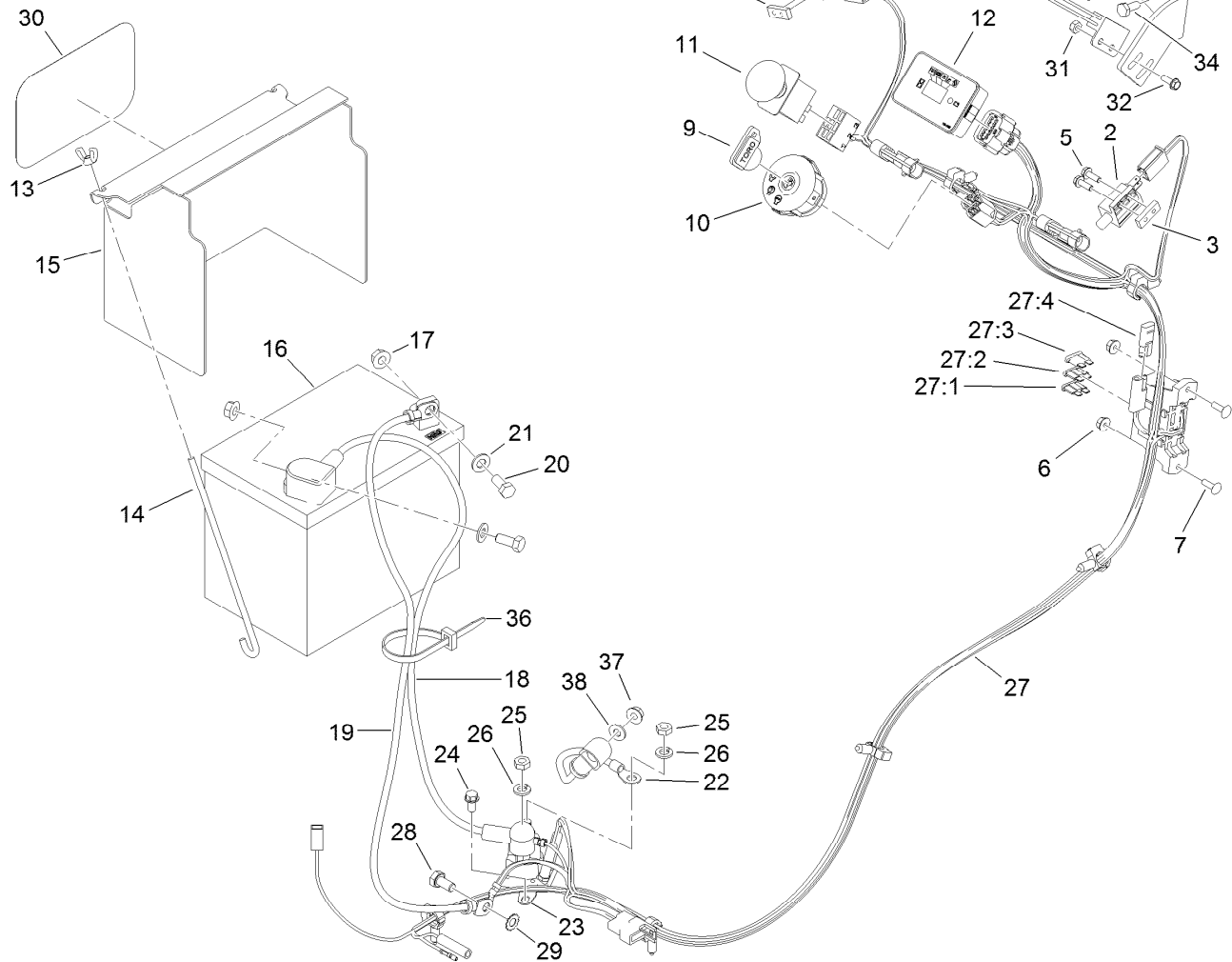
| Ref. | Part Number | Qty. | Description | Ref. | Part Number | Qty. | Description |
|------|-------------|------|------------------------|------|-------------|------|-------------------------|
| 1 | 119-7340 | 1 | Tank ASM | 5 | 109-0301 | 1 | Hose-Fuel |
| 1:2 | 46-6560 | 3 | Bushing | 8 | 3290-378 | 4 | Tie-Cable |
| 1:3 | 1-643172 | 3 | Elbow-90 DEG | 9 | | 1 | Vent Hose ASM ● |
| 1:4 | 95-8972 | 1 | Grommet | 10 | 2412-87 | 2 | Clamp-Cable |
| 1:5 | 117-9719 | 1 | Guage-Fuel | 16 | 3229-1 | 1 | Bolt-CARR |
| 1:6 | 116-1704 | 1 | Cap-Fuel, Ratcheting | 18 | 119-6073 | 1 | Hose-Fuel |
| 1:7 | 116-3408 | 1 | Fitting-Fuel, Bulkhead | 25 | 116-4769 | 1 | Decal-Filter, Emissions |
| 2 | 109-0297 | 1 | Hose-Fuel | 26 | 2412-96 | 1 | Clamp-R |
| 3 | 2412-98 | 4 | Clamp-Hose | 27 | 104-7201 | 1 | Nut-HF |
| 4 | 1-603770 | 1 | Valve-Fuel | | | | |

● Not serviced separately



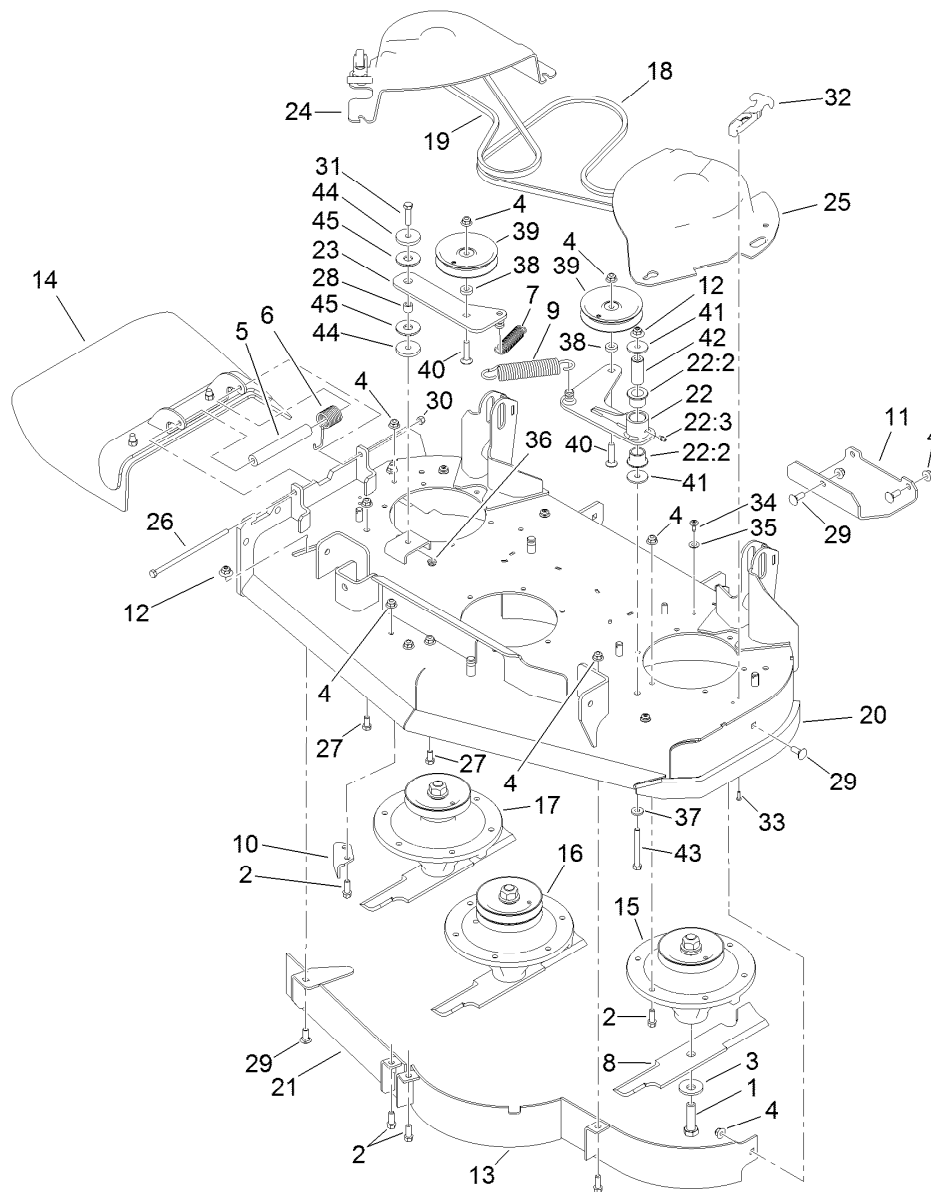
Vent Hose Assembly

| Ref. | Part Number | Qty. | Description |
|-------------|--------------------|-------------|---------------------|
| 1 | 109-3491 | 1 | Hose-Fuel |
| 2 | 109-0299 | 2 | Hose-Fuel |
| 3 | 99-9415 | 3 | Hose-Fuel |
| 4 | 109-0650 | 2 | Hose-Fuel |
| 6 | 99-5005 | 3 | Fitting-Tee, Barbed |
| 7 | 99-5000 | 1 | Valve-Check, Fuel |
| 8 | 106-8150 | 1 | Fitting-Straight |
| 9 | 120-2235 | 1 | Filter-Fuel |
| 10 | 2412-98 | 3 | Clamp-Hose |



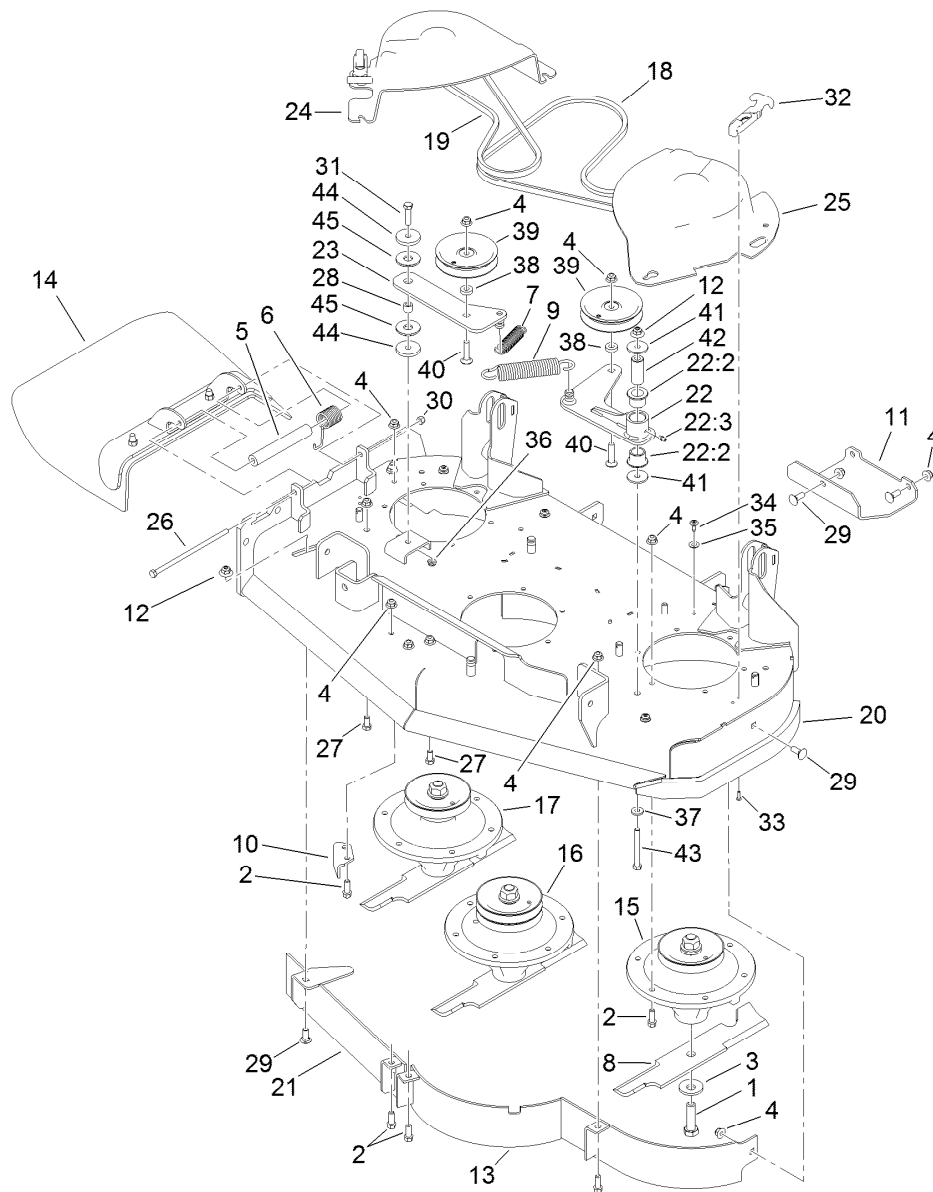
Electrical Assembly

| Ref. | Part Number | Qty. | Description | Ref. | Part Number | Qty. | Description |
|------|-------------|------|-------------------------|------|-------------|------|-----------------------|
| 1 | 105-0023 | 2 | Switch-Proximity | 23 | 117-1197 | 1 | Solenoid |
| 2 | 1-513152 | 2 | Switch-Closed, Normally | 24 | 32144-4 | 2 | Screw-HWH |
| 3 | 1-633181 | 2 | Plate-Tapped | 25 | 3220-2 | 2 | Nut-Jam |
| 4 | 32105-13 | 2 | Screw-HWH | 26 | 3253-4 | 2 | Washer-Lock |
| 5 | 32105-2 | 2 | Screw-SHWH | 27 | 119-0181 | 1 | Harness-Wire |
| 6 | 32128-17 | 2 | Nut-Lock, Flange | 27:1 | 109103 | 1 | Fuse-Blade, 30 Amp |
| 7 | 1-807533 | 2 | Bolt-CARR | 27:2 | 109102 | 1 | Fuse-Blade, 25 Amp |
| 9 | 63-8360 | 1 | Key-Ignition | 27:3 | 218-578 | 1 | Fuse-Blade, 10 Amp |
| 10 | 117-2222 | 1 | Switch-Ignition | 27:4 | 116-0053 | 1 | Cap-Plug |
| 11 | 114-0279 | 1 | Switch-PTO, On-On | 28 | 33114-016 | 1 | Screw-HH |
| 12 | 117-3886 | 1 | Module-Hour Meter | 29 | 3255-8 | 1 | Washer-Lock |
| 13 | 1-543792 | 2 | Wingnut | 30 | 68-3640 | 1 | Decal |
| 14 | 1-633651 | 2 | Bolt-Holddown | 31 | 3296-2 | 4 | Nut-Lock, NI |
| 15 | 117-0543-01 | 1 | Cover-Battery | 32 | 32105-23 | 4 | Screw |
| 16 | 104-8162 | 1 | Battery-Dry | 33 | 119-8503-01 | 2 | Bracket-Mount, Switch |
| 17 | 109-5715 | 2 | Nut-HHF, Smooth | 34 | 321-3 | 2 | Screw-HH |
| 18 | 120-6442 | 1 | Cable-Battery, Positive | 35 | 32128-32 | 4 | Nut-HHF |
| 19 | 103-0705 | 1 | Cable-Ground, Negative | 36 | 3290-378 | 1 | Tie-Cable |
| 20 | 322-3 | 2 | Screw-HH | 37 | 32128-33 | 1 | Nut-HF |
| 21 | 3256-23 | 2 | Washer-Plain | 38 | 3256-22 | 1 | Washer-Flat |
| 22 | 106-8268 | 1 | Cable-Battery, Red | 39 | 321-4 | 2 | Screw-HH |



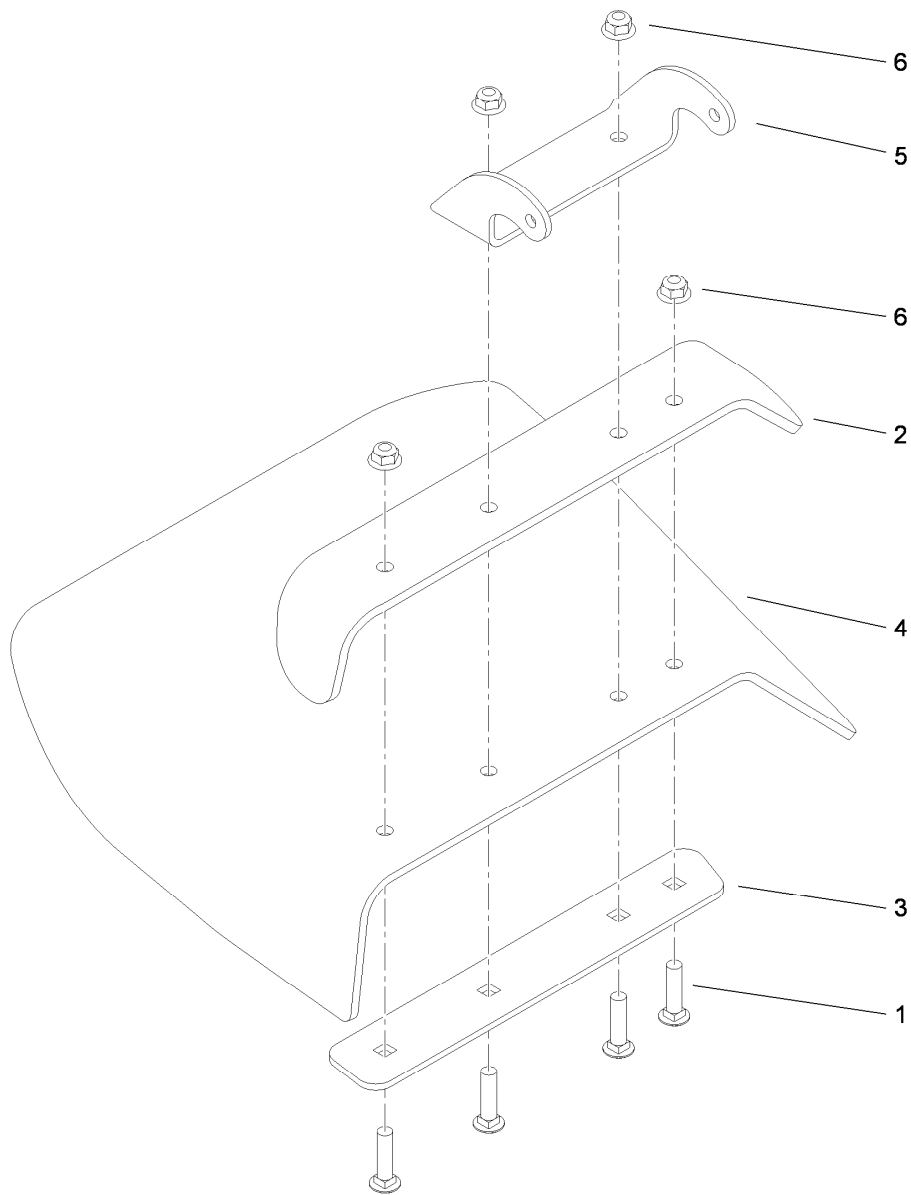
Deck Assembly

| Ref. | Part Number | Qty. | Description | Ref. | Part Number | Qty. | Description |
|------|-------------|------|---------------------------|------|-------------|------|----------------------|
| 1 | 51-4060 | 3 | Screw-Blade | 22 | 119-0178 | 1 | Idler Arm ASM |
| 2 | 92-1624 | 23 | Screw-HWH | 22:2 | 33-3090 | 2 | Bushing |
| 3 | 103-0865 | 3 | Washer-Blade Bolt, Heavy | 22:3 | 302-11 | 1 | Fitting-Lube, 45 DEG |
| 4 | 104-8301 | 31 | Nut-HF, NI | 23 | 119-0171 | 1 | Idler Arm ASM |
| 5 | 105-4622 | 1 | Spacer | 24 | 121-6029 | 1 | Cover-Belt, RH |
| 6 | 108-4052 | 1 | Spring-Torsion | 25 | 121-6028 | 1 | Cover-Belt, LH |
| 7 | 108-4056 | 1 | Spring-Extension | 26 | 322-50 | 1 | Screw-HH |
| 8 | 108-4081-03 | 3 | Blade-14 Inch (High Sail) | 27 | 323-4 | 2 | Screw-HH |
| 9 | 119-0394 | 1 | Spring-Extension | 28 | 1-413088 | 1 | Bushing-Lever, Lift |
| 10 | 108-7273-01 | 1 | Baffle-Discharge | 29 | 3231-2 | 5 | Bolt-CARR |
| 11 | 108-7282-01 | 1 | Plate-Skid | 30 | 3296-29 | 1 | Nut-Lock, NI |
| 12 | 109-6658 | 2 | Nut-Flange, NI | 31 | 323-9 | 1 | Screw-HH |
| 13 | 110-6910-03 | 1 | Baffle ASM | 32 | 103-4080 | 2 | Latch-Rubber |
| 14 | 119-2347 | 1 | Deflector ASM | 33 | 3274-39 | 4 | Screw-HSBH |
| 15 | 117-7635 | 1 | Spindle ASM | 34 | 112-4004 | 5 | Screw-Shoulder |
| 16 | 117-7636 | 1 | Spindle ASM | 35 | 73-0041 | 5 | Washer-Thrust |
| 17 | 117-7640 | 1 | Spindle ASM | 36 | 3296-59 | 1 | Nut-Lock, NI |
| 18 | 117-7648 | 1 | Belt-V | 37 | 71-9310 | 1 | Spacer |
| 19 | 117-7649 | 1 | Belt-V | 38 | 5-0652 | 2 | Spacer |
| 20 | 121-6020 | 1 | Deck And Decal ASM | 39 | 93-1622 | 2 | Pulley-Idler |
| 21 | 119-0163-03 | 1 | Front Baffle ASM | 40 | 3231-5 | 2 | Screw-CARR |



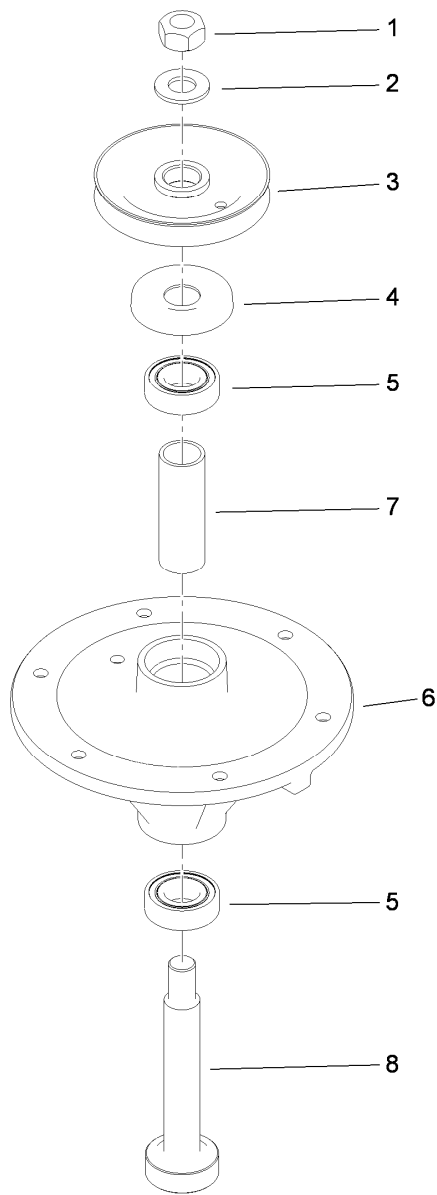
Deck Assembly (continued)

| <i>Ref.</i> | <i>Part Number</i> | <i>Qty.</i> | <i>Description</i> | <i>Ref.</i> | <i>Part Number</i> | <i>Qty.</i> | <i>Description</i> |
|-------------|--------------------|-------------|--------------------|-------------|--------------------|-------------|----------------------------|
| 41 | 1-213069 | 2 | Washer | 44 | 110-9981 | 2 | Washer-Plain |
| 42 | 119-0208 | 1 | Spacer-Plain | 45 | 114-0463 | 2 | Washer-Friction, Composite |
| 43 | 323-20 | 1 | Screw-HH | | | | |



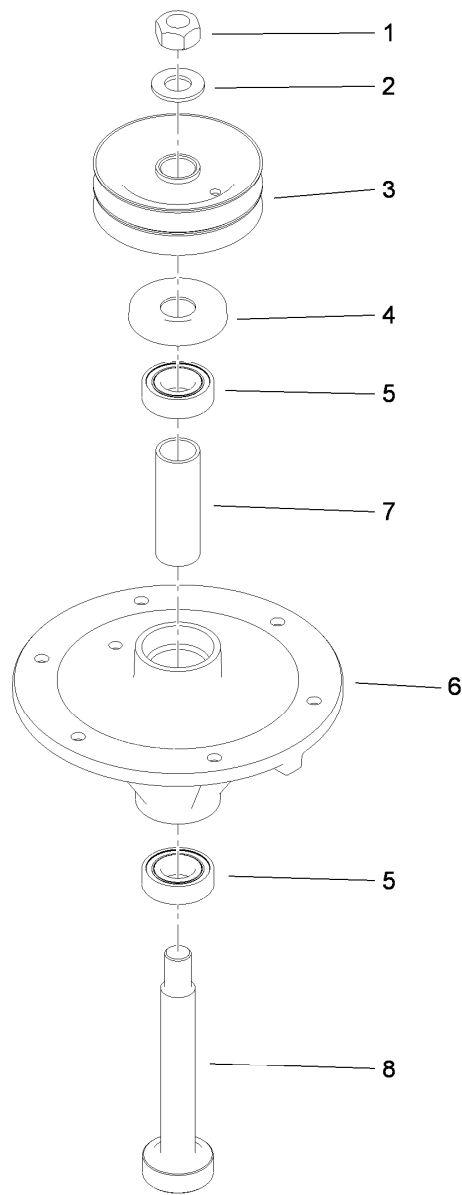
Deflector Assembly No. 119-2347

| <i>Ref.</i> | <i>Part Number</i> | <i>Qty.</i> | <i>Description</i> |
|-------------|--------------------|-------------|-----------------------------|
| 1 | 3231-4 | 4 | Screw-CARR |
| 2 | 110-0792-01 | 1 | Deflector |
| 3 | 110-0793-03 | 1 | Strap-Discharge |
| 4 | 119-2346 | 1 | Deflector-Rubber |
| 5 | 110-9923-01 | 1 | Bracket-Mounting, Deflector |
| 6 | 104-8301 | 4 | Nut-HF, NI |



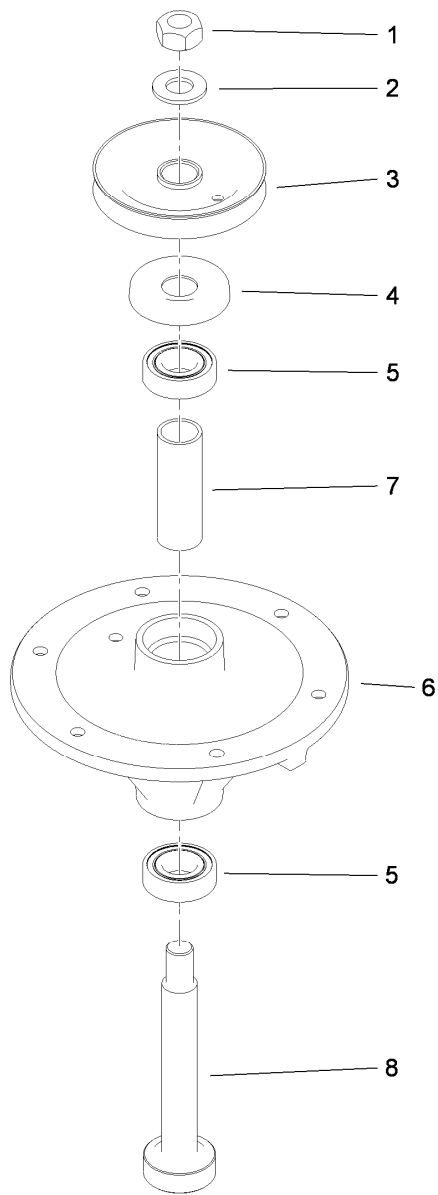
Spindle Assembly No. 117-7635

| <i>Ref.</i> | <i>Part Number</i> | <i>Qty.</i> | <i>Description</i> |
|-------------|--------------------|-------------|--------------------|
| 1 | 3219-7 | 1 | Nut-Hex |
| 2 | 7-4150 | 1 | Washer |
| 3 | 117-7615 | 1 | Pulley ASM |
| 4 | 106-0873 | 1 | Shield-Bearing |
| 5 | 116-0720 | 2 | Bearing-Ball |
| 6 | 108-6696 | 1 | Housing-Spindle |
| 7 | 110-0727 | 1 | Spacer-Bearing |
| 8 | 110-0726 | 1 | Shaft-Spindle |



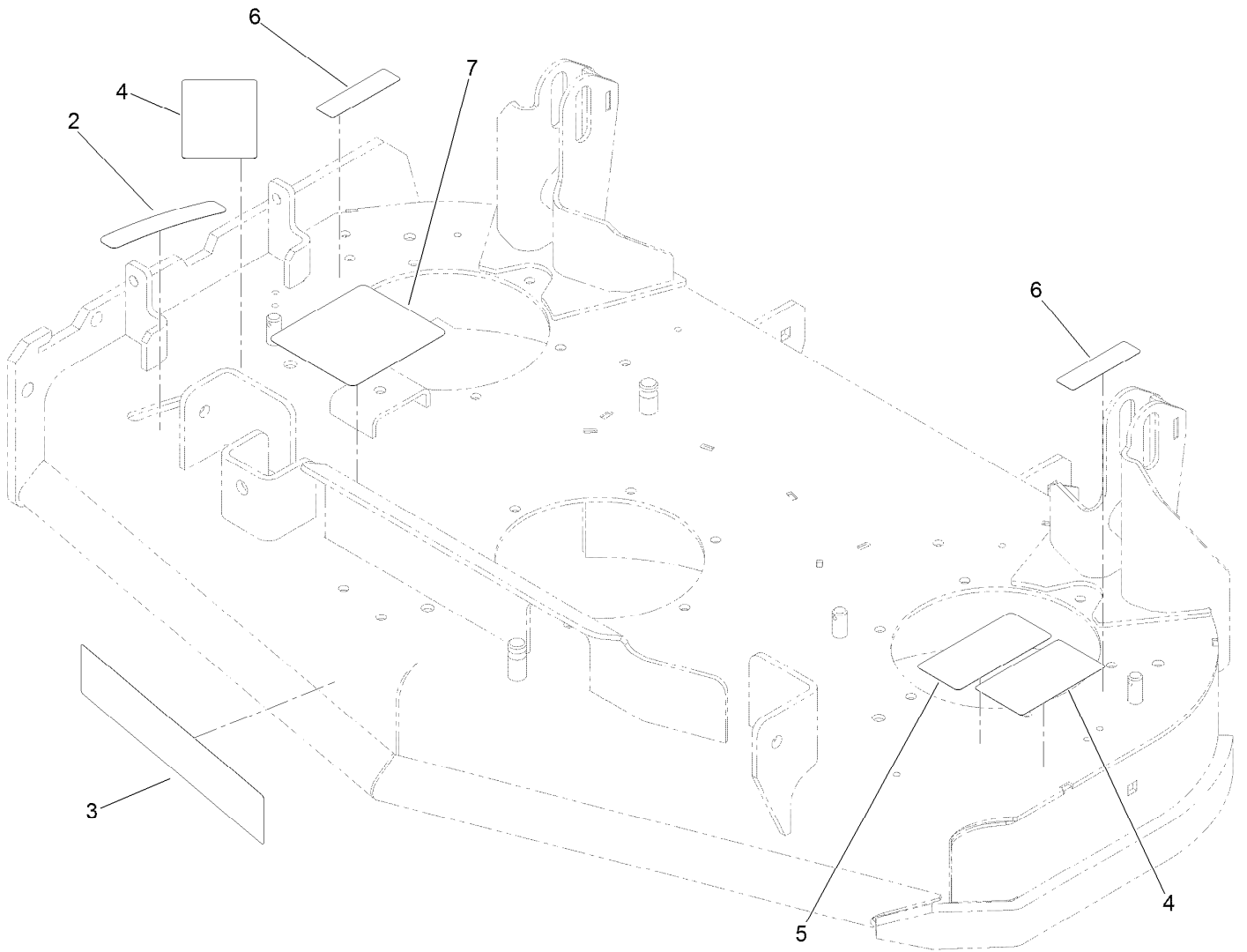
Spindle Assembly No. 117-7636

| <i>Ref.</i> | <i>Part Number</i> | <i>Qty.</i> | <i>Description</i> |
|-------------|--------------------|-------------|--------------------|
| 1 | 3219-7 | 1 | Nut-Hex |
| 2 | 7-4150 | 1 | Washer |
| 3 | 117-7616 | 1 | Pulley ASM |
| 4 | 106-0873 | 1 | Shield-Bearing |
| 5 | 116-0720 | 2 | Bearing-Ball |
| 6 | 108-6696 | 1 | Housing-Spindle |
| 7 | 110-0727 | 1 | Spacer-Bearing |
| 8 | 117-7626 | 1 | Shaft-Spindle |



Spindle Assembly No. 117-7640

| <i>Ref.</i> | <i>Part Number</i> | <i>Qty.</i> | <i>Description</i> |
|-------------|--------------------|-------------|--------------------|
| 1 | 3219-7 | 1 | Nut-Hex |
| 2 | 7-4150 | 1 | Washer |
| 3 | 117-7617 | 1 | Pulley ASM |
| 4 | 106-0873 | 1 | Shield-Bearing |
| 5 | 116-0720 | 2 | Bearing-Ball |
| 6 | 108-6696 | 1 | Housing-Spindle |
| 7 | 110-0727 | 1 | Spacer-Bearing |
| 8 | 117-7626 | 1 | Shaft-Spindle |



Deck Decal Assembly No. 121-6020

| <i>Ref.</i> | <i>Part Number</i> | <i>Qty.</i> | <i>Description</i> |
|-------------|--------------------|-------------|--------------------------|
| 2 | 110-2067 | 1 | Decal-Setting, Baffle |
| 3 | 119-0198 | 1 | Decal |
| 4 | 121-6049 | 2 | Decal-Danger |
| 5 | 93-7818 | 1 | Decal-Torque, Blade Bolt |
| 6 | 119-0217 | 2 | Decal-Danger |
| 7 | 119-0187 | 1 | Decal-Routing, Belt |

Attachments and Accessories

For 74536 GrandStand Mower With 40in TURBO FORCE Cutting Unit

| Product Name | Model/Part |
|--|-------------------|
| 40in Bagger Enhancement Kit | 110-2025 |
| 40in Recycler Kit..... | 110-2070 |
| Turbo Plate Kit..... | 110-6902 |
| Light Kit..... | 114-3505 |
| Hypr-Oil 500 (quart)..... | 114-4713 |
| Hypr-Oil 500 (gallon)..... | 114-4714 |
| Hypr-Oil 500-5 (5 gallon)..... | 114-4715 |
| Blade-Recycler, 14in (6-pack)..... | 114-4961 |
| Blade-Low Flow, 14in (6-pack)..... | 114-4962 |
| Blade-Mid Flow, 14in (6-pack) | 114-4963 |
| Blade-High Flow, 14in (6-pack)..... | 114-4964 |
| Blade-Atomic, 14 inch (6-pack)..... | 114-4965 |
| Weight Kit | 117-3620 |
| Striping Kit | 117-8560 |
| Operator-Controlled Discharge Chute Kit with Bag | 117-8565 |
| Trash Bag Kit | 121-7530 |
| Soft Bag (3 Bushel)..... | 30104 |
| Spark Arrestor | 98-9099 |

Notes:

Notes:



Count on it.