



E120
Carefree[®] Electric
Walk Power Mower

Model No. 20050-9900001 & Up

Model No. 20646-9900001 & Up

Operator's Manual

Para obtener una versión gratis de este manual en español, escriba a la dirección indicada más abajo. Asegúrese de indicar el modelo y el número de serie de su producto.

Pour obtenir gratuitement une version en français de ce manuel, écrivez à l'adresse ci-dessous. N'oubliez pas d'indiquer les numéros de modèle et de série de votre produit.

The Toro Company, Attn: Parts Dept., 8111 Lyndale Ave S, Bloomington, MN 55420-1196.

Contents

	Page
Introduction	1
Safety	2
Safe Operating Practices	2
General Operation	2
While Operating	3
Maintenance And Storage	4
Safety and Instruction Decals	4
Assembly	5
Install Handle	5
Install Side Discharge Chute	7
Before Starting	8
Secure Extension Cord	8
Plan Your Mowing Pattern	9
Operation	9
Starting/Stopping Instructions	9
Mowing Tips	11
Adjusting Height-of-Cut	12
Maintenance	12
Cleaning	12
Blade	13
Servicing Double-insulated Mower	14
Servicing "On/Off" and Blade Brake System	14
Storage	14
Warranty	Back Cover

Introduction

Thank you for purchasing a Toro product.

All of us at Toro want you to be completely satisfied with your new product, so feel free to contact your local Authorized Service Dealer for help with service, genuine Toro parts, or other information you may require.

Whenever you contact your Authorized Service Dealer or the factory, always know the model and serial numbers of your product. These numbers will help the Service Dealer or Service Representative provide exact information about your specific product. You will find the model and serial number decal located in a unique place on the product (Fig. 1).

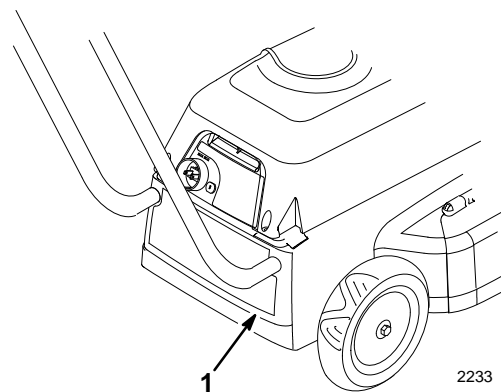


Figure 1

1. Model and serial number engraved in mower housing

For your convenience, write the product model and serial numbers in the space below.

Model No.: _____
Serial No.: _____

Read this manual carefully to learn how to operate and maintain your product correctly. Reading this manual will help you and others avoid personal injury and damage to the product. Although Toro designs, produces and markets safe, state-of-the-art products, you are responsible for using the product properly and safely. You are also responsible for training persons who you allow to use the product about safe operation.

The Toro warning system in this manual identifies potential hazards and has special safety messages that help you and others avoid personal injury, even death. DANGER, WARNING and CAUTION are signal words used to identify the level of hazard. However, regardless of the hazard, be extremely careful.

DANGER signals an extreme hazard that will cause serious injury or death if the recommended precautions are not followed.

WARNING signals a hazard that may cause serious injury or death if the recommended precautions are not followed.

CAUTION signals a hazard that may cause minor or moderate injury if the recommended precautions are not followed.


Two other words are also used to highlight information. "Important" calls attention to special mechanical information and "Note" emphasizes general information worthy of special attention.

The left and right side of the machine is determined by standing behind the handle in the normal operator's position.

Safety

IMPORTANT SAFETY INSTRUCTIONS

This machine meets or exceeds CPSC blade safety requirements for walk-behind rotary mowers and the B71.1 specifications of the American National Standards Institute, in effect at time of production. However, improper use or maintenance by the operator or owner can result in injury. To reduce the potential for injury, comply with these safety instructions and always pay attention to the safety alert

 symbol which means CAUTION, WARNING or DANGER—“personal safety instruction.” Failure to comply with the instruction may result in personal injury.

WARNING: To reduce the risk of fire, electric shock, and personal injury when using electric lawn mowers, always follow these basic safety precautions.

READ ALL INSTRUCTIONS BEFORE USING THIS MOWER

SAVE THESE INSTRUCTIONS FOR FUTURE REFERENCE!

Safe Operating Practices

This product is capable of amputating hands and feet and throwing objects. Always follow all safety instructions to avoid serious injury or death.

This mower is designed for cutting and mulching grass or, when equipped with a grass bag, for catching cut grass. Any use for purposes other than these could prove dangerous to user or bystanders.

General Operation

1. Read this manual carefully before operating the mower. Become familiar with the controls and proper use of the mower. Never allow children under 16 years of age to operate the mower. Never allow adults to operate mower without proper instructions.
2. The operator of the mower is responsible for keeping everyone, especially children and pets, away from area of operation. The operator is responsible for accidents or hazards occurring to other people or their property.

3. Thoroughly inspect area where mower will be used and remove sticks, stones, wire, and debris that could be picked up and thrown by mower. Watch for foreign objects while mowing. Objects struck by the lawn mower blade can cause severe injuries to persons.
4. Wear long pants and substantial shoes. Do not operate mower while wearing open-toed shoes, jewelry, loose clothing or when barefoot. Use of rubber gloves and footwear is recommended when working outdoors.
5. Keep all guards, shields, safety devices, side discharge chute or optional grass catcher in place. Repair or replace damaged parts, including decals. Never tamper with safety devices. Check their proper operation regularly.
6. The motor and blade are designed to stop within 3 seconds after releasing the control bail. Ensure that the control bail functions properly before each use of mower. If the blade does not stop within 3 seconds, or if there is a grinding or scraping metal-to-metal noise when the control bail is released, contact your local Authorized Toro Service Dealer for proper “On/Off” and blade brake adjustment or replacement.
7. Before using, always visually inspect to see that the blades, blade fasteners and cutter assembly are not worn or damaged. Replace worn or damaged blades and fasteners in sets to preserve balance.
8. Only use those accessories and attachments designed to be used with this product. Use of any accessory or attachment not designed for this product may increase the risk of injury.
9. Ground Fault Circuit Interrupter (GFCI) protection should be provided on the circuit(s) or outlet(s) to be used for the lawn mower. Receptacles are available having built-in GFCI protection and may be used for this measure of safety.
10. **WARNING:** To prevent electric shock, use only with an extension cord suitable for outdoor use, such as SW-A, SOW-A, STW-A, STOW-A, SJW-A, SJOW-A, SJTW-A, or SJTOW-A.
11. Extension Cord – Make sure your extension cord set is in good condition. When using an extension cord, be sure to use one heavy enough to carry the current your product will draw. Refer to Extension Cord Chart, page 8. An undersized cord will cause a drop in line voltage resulting in loss of power and overheating.
12. Properly connect extension cord to mower in order to prevent disconnection of the cord (Fig. 12).
13. To reduce the risk of electric shock, this mower has a polarized plug (one blade is wider than the other) (Fig. 11) and will require the use of a polarized extension cord. The polarized extension cord receptacle will fit onto the mower plug only one way.

If the extension cord receptacle does not fit fully onto the mower plug, reverse the cord receptacle. If the cord receptacle still does not fit, obtain a correct polarized extension cord. A polarized extension cord will require the use of a polarized wall outlet. The extension cord plug will fit into the polarized wall outlet only one way. If the cord plug does not fit fully into the wall outlet, reverse the cord plug. If the cord plug still does not fit, contact a qualified electrician to install the proper wall outlet. Do not change the mower plug, extension cord receptacle, or extension cord plug in any way.

While Operating

1. Do not connect extension cord to mower until you are ready to mow.
2. Start the motor carefully according to instructions and with feet well away from the blade.
3. Use Right Appliance – Do not use mower for any job except that for which it is intended.
4. Stay Alert – Watch what you are doing. Do not operate mower when tired or under the influence of drugs, alcohol or medication.
5. Be alert and turn mower off if children enter the area.
6. Use extra care when approaching blind corners, shrubs, trees, or other objects that may obscure vision.
7. Do not mow near drop-offs, ditches, or embankments. The operator could lose footing or balance.
8. Avoid dangerous environments. Never operate mower in wet grass. or damp locations. Do not use mower in the rain.
9. Do not run motor indoors.
10. Do not operate mower in gaseous, explosive atmospheres. Normal sparking of motor could ignite fumes.
11. Always maintain secure footing. Keep a firm grip on the handle and walk; never run. Mow only in daylight or in good artificial light.
12. Mow across the face of slopes; never up and down. Use extreme caution when changing direction on slopes. Do not mow excessively steep slopes. Wear skid resistant shoes on slopes.
13. Don't Overreach – Keep proper footing and balance at all times.
14. Do not force the mower. It operates best and safest at the rate for which it was designed.
15. Always wear safety glasses or eye shields during operation to protect eyes from foreign objects that may be thrown from the machine. (Regular eyeglasses are **not** safety glasses.)
16. Always wear an approved dust mask when using unit in dusty conditions.
17. Keep face, hands, and feet away from the mower housing and cutter blade when the motor is running. Blade can cause injury to hands and feet. Stay behind the handle until the motor stops.
18. Use extreme caution when reversing or pulling the mower toward you. Before and while moving backwards, look behind and down for small children.
19. Since the blade rotates for a few seconds after the control bar is released, stay behind the handle until all moving parts stop.
20. After striking a foreign object or if mower vibrates abnormally, stop motor and disconnect extension cord. Check mower for damage and make all repairs before using mower again. If major repairs are ever needed or if assistance is desired, contact your local Authorized TORO Service Dealer.
21. Do not operate mower if it has been dropped or damaged in any way. Repair any damage before operating mower.
22. Do not run the mower over the extension cord.
23. Inspect extension cord periodically and replace cord if damaged.
24. Don't abuse extension cord. Never pull mower by cord or yank cord to disconnect it from receptacle. Keep cord away from heat, oil and sharp edges.
25. Stop the motor, wait for all moving parts to stop, and disconnect extension cord from mower before adjusting the height-of-cut.
26. Stop the motor when pushing the mower outside the lawn area.
27. Stop the motor and disconnect extension cord from mower before removing side discharge chute or optional grass catcher.
28. Stop motor before leaving the operator's position—behind the handle. Disconnect extension cord from mower if mower will be unattended.
29. If mower must be lifted to be transported, stop motor, stay behind the handle until all moving parts stop and disconnect extension cord from mower.

Maintenance And Storage

1. Perform only those maintenance instructions described in this manual. If major repairs are ever needed or if assistance is desired, contact your local Authorized TORO Service Dealer.
2. Before mower is cleaned, inspected, serviced, or adjusted, stop motor and wait for all moving parts to stop. Disconnect extension cord from mower.
3. To ensure the mower is in safe operating condition, frequently check and keep all nuts, bolts, and screws tight. Ensure blade bolt is tightened to 45-50 ft-lb (61-68 N-m).
4. Always keep a sharp blade on your mower. When servicing blade, refer to blade maintenance section for correct installation and servicing procedures. Use identical replacement blades only.
5. To reduce fire hazard, keep motor free of excessive grass, leaves, and accumulations of dirt.

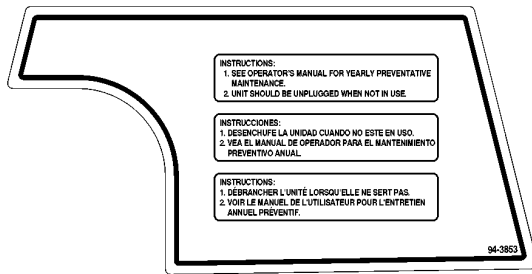
6. This unit is provided with double insulation. Use only identical replacement parts. See page 14 for Servicing of Double-insulated Mower.
7. When not in use, store mower indoors in a dry, locked-up place out of the reach of children. Allow motor to cool before storing in an enclosure.
8. Check optional grass catcher bag frequently for wear or deterioration. Replace with a new bag when worn or damaged for your protection.
9. At the time of manufacture, the mower conformed to the safety standards in effect for rotary mowers. To assure best performance and continued safety certification of the mower, use genuine TORO replacement parts and accessories. Replacement parts and accessories made by other manufacturers may result in non-conformance with the safety standards, and that could be dangerous.

SAVE THESE INSTRUCTIONS FOR FUTURE REFERENCE!

Safety and Instruction Decals



Safety decals and instructions are easily visible to the operator and are located near any area of potential danger. Replace any decal that is damaged or lost.



ON CONTROL PANEL



ON MULCH PLUG



ON MULCH PLUG



ON REAR OF MOWER



ON MULCH PLUG

Assembly

IMPORTANT: Do not connect extension cord to mower until mower is fully assembled. Also, always unplug extension cord from mower when adding or switching attachments.

Install Handle

IMPORTANT: Control cable must be over, not under, handles (Fig. 2).

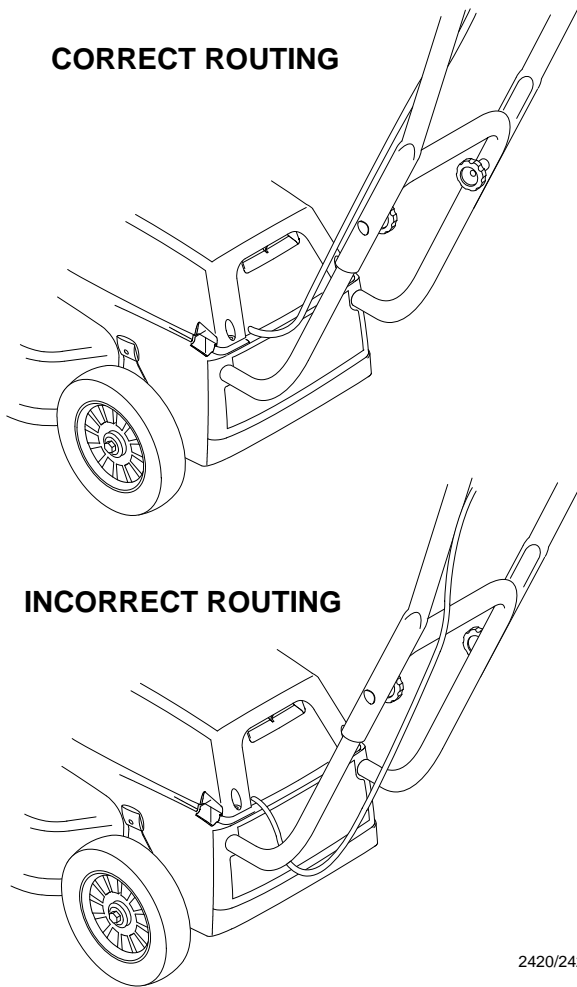


Figure 2

2420/2421

! WARNING !

POTENTIAL HAZARD

- Excessive pulling on control cable may cause mower to start. When mower is operating, blade is rotating.

WHAT CAN HAPPEN

- Contact with rotating mower blade could cause serious personal injury.

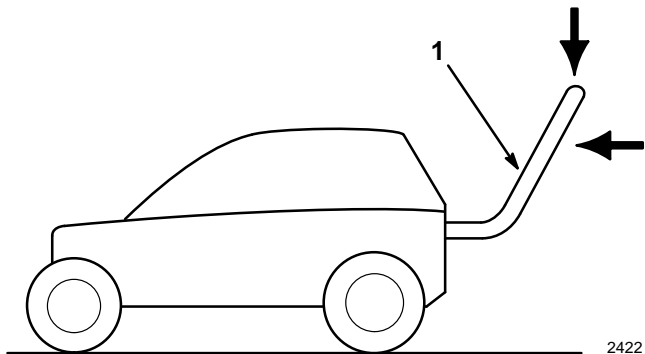
HOW TO AVOID THE HAZARD

- Do not lift mower by control cable or pull excessively on cable.

1. Lift control cable above holes in rear of shroud.
2. Lower Handle – Slide ends of lower handle into holes in shroud.

If handle stops before screw holes are aligned in center of shroud openings, push down on lower handle section while pushing tubes into holes in shroud (Fig. 3). Push tubes in until screw holes are centered in shroud openings.

Secure ends of lower handle with two screws.



2422

Figure 3

1. Lower handle

3. Upper Handle (Fig. 4) – Handle height is adjustable to three different heights for operator comfort. Stand behind mower to gauge height. Position ends of upper handle on outside of lower handle. Select one set of upper handle holes and align with lower handle holes. Secure handles in place with bolts and knobs. Secure handles in place with bolts and knobs.

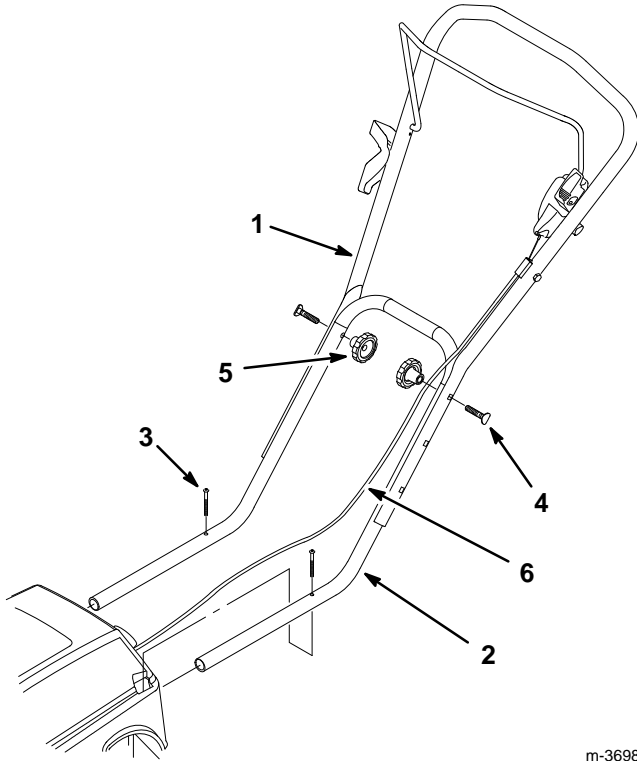
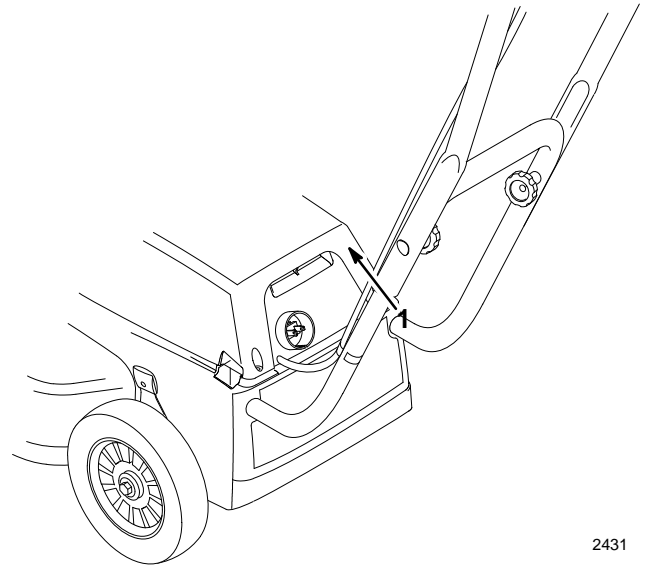


Figure 4

- | | |
|-----------------|------------------|
| 1. Upper handle | 4. Bolt (2) |
| 2. Lower handle | 5. Knob (2) |
| 3. Screw (2) | 6. Control cable |

m-3698

4. If handles are in highest height position, use clip to attach cable to left side of lower handle tube (Fig. 5).

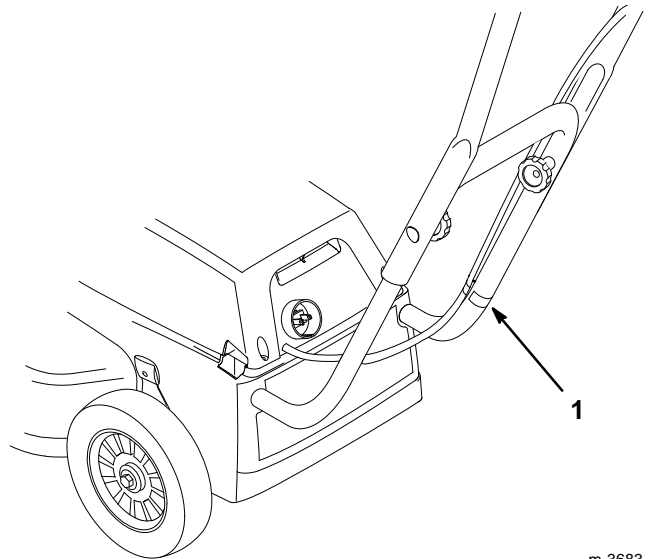


2431

Figure 5

1. Clip

If handles are in lowest height position, use clip to attach cable to right side of lower handle tube (Fig. 6).



m-3683

Figure 6

1. Clip

Install Side Discharge Chute

If you would like to side discharge grass clippings while mowing, attach the side discharge chute.

1. Use handle on mulch door to raise door (Fig. 7).

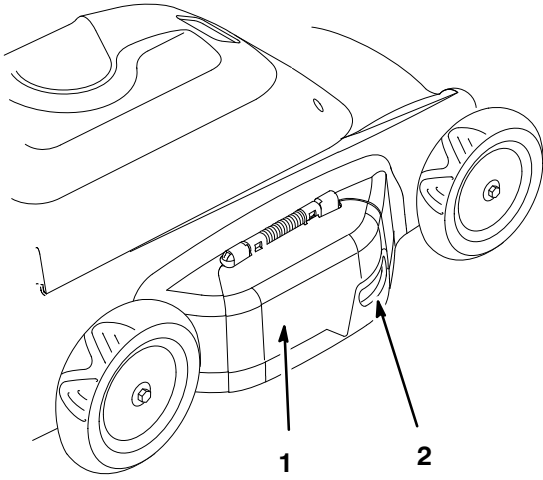


Figure 7

1. Mulch door
2. Handle

2. Hook side discharge chute onto pegs (Fig. 8 & 9).

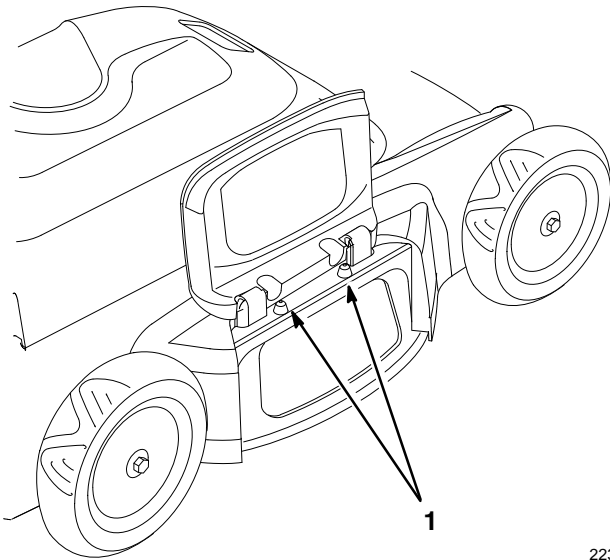


Figure 8

1. Peg (2)

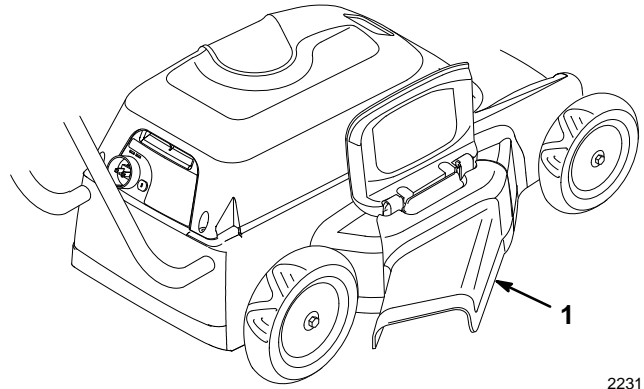


Figure 9

1. Side discharge chute

3. Lower mulch door on top of side discharge chute (Fig. 10).

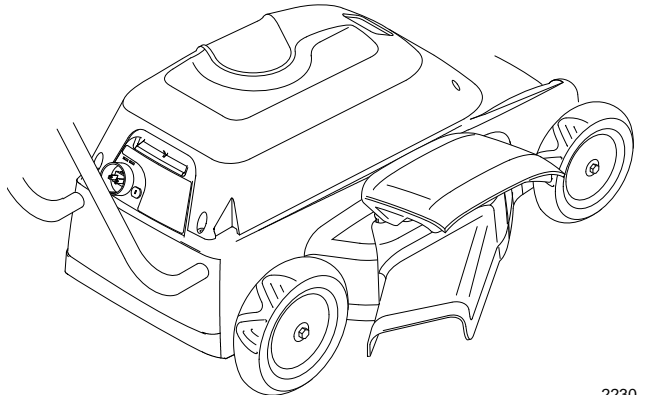


Figure 10

Before Starting

Secure Extension Cord

Use only a UL listed (CSA certified in Canada) extension cord recommended for outdoor use. Refer to Extension Cord Chart.

EXTENSION CORD CHART		
If length of extension cord is less than or equal to:	100 ft.	150 ft.
Assure wire size gauge (A.W.G.) in cord is:	14	12

Note: Use of an extension cord over 150 feet is not recommended.

! WARNING !

POTENTIAL HAZARD

- Contact with water while operating unit could cause electric shock.

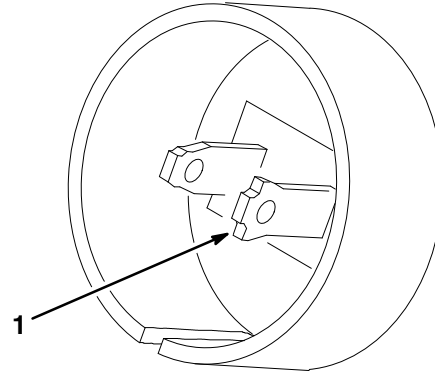
WHAT CAN HAPPEN

- Electric shock can cause injury or death.

HOW TO AVOID THE HAZARD

- Don't handle plug or mower with wet hands or while standing in water.
- Use only a UL listed (CSA certified in Canada) extension cord recommended for outdoor cold weather use. Refer to Extension Cord Chart, page 8.

1. To reduce the risk of electric shock, this mower has a polarized plug (one blade is wider than the other) (Fig. 11) and will require the use of a polarized extension cord.



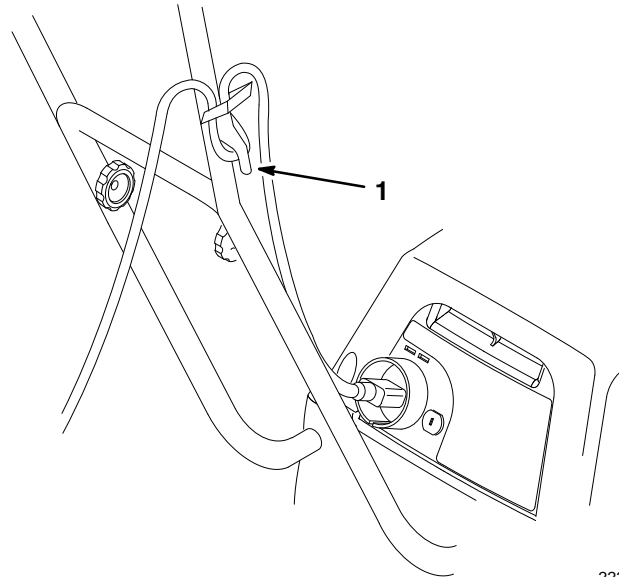
2214

Figure 11

1. Wide blade

2. Form a loop in extension cord and secure it in cord lock (Fig. 12).
3. Connect extension cord to mower (Fig. 12).

Note: Do not unplug extension cord by pulling on cord. To unplug, grasp the plug, not the cord.



2224

Figure 12

1. Cord lock

WARNING

POTENTIAL HAZARD

- The electrical cord could be damaged.

WHAT CAN HAPPEN

- A damaged electrical cord could cause a shock or fire.

HOW TO AVOID THE HAZARD

- Thoroughly inspect electrical cord before using unit. If cord is damaged, do not operate unit. Replace or repair damaged cord immediately. Contact your TORO service dealer for assistance.

Plan Your Mowing Pattern

By following the suggested mowing pattern, the risk of running over the cord with the mower will be reduced, and the cord will not sustain unnecessary wear. Do not allow extension cord to wrap around trees, shrubs or other obstacles.

1. Begin mowing near the electrical outlet and work outward (Fig. 13). Mow back and forth.

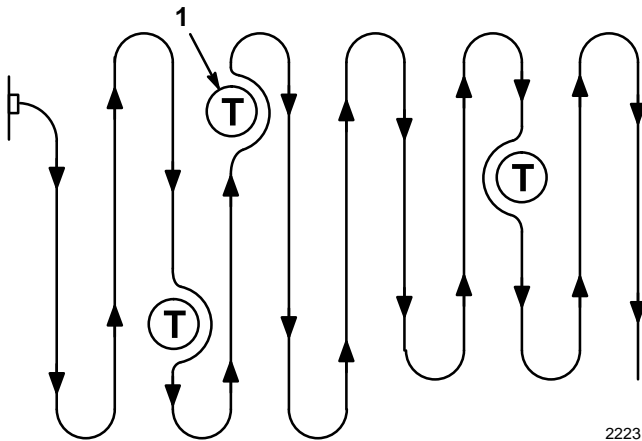


Figure 13

1. T = obstacles

2. When turning at the end of a cut path, be very careful not to mow across the extension cord.

WARNING: If extension cord is damaged, do not operate unit. Replace or repair damaged cord immediately. Contact your TORO service dealer for assistance.

Operation

This mower is intended for residential use only.

WARNING

POTENTIAL HAZARD

- When extension cord is connected to mower and plugged into a normal household outlet, the mower is operational. Someone could accidentally start the mower.

WHAT CAN HAPPEN

- Accidental starting of mower could seriously injure you or other bystanders.

HOW TO AVOID THE HAZARD

- Always remove extension cord from mower receptacle when leaving mower unattended, even for a short period of time.

Starting/Stopping Instructions

To Start Motor

1. Connect extension cord to mower (Fig. 14).

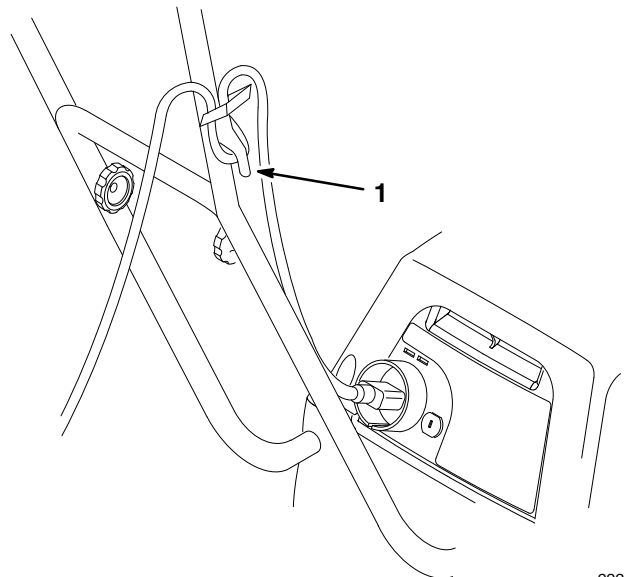


Figure 14

1. Cord lock

2. Plug other end of extension cord into a normal household outlet.
3. Pull control bar toward handle while pushing down slide on control (Fig. 15).

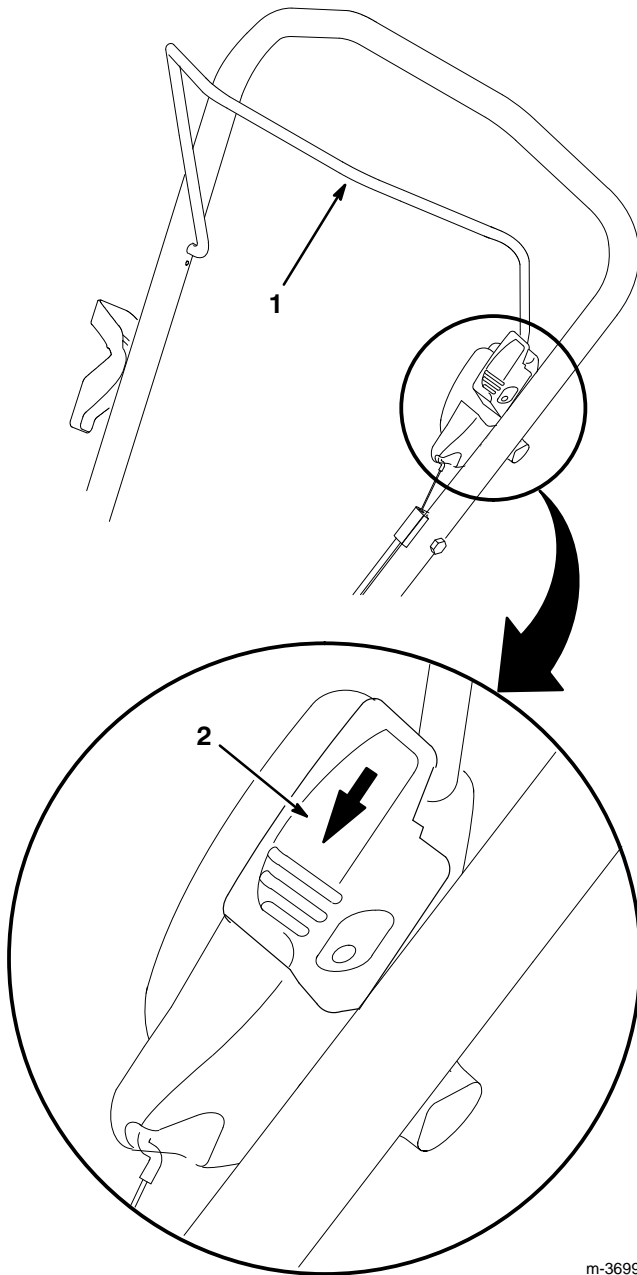


Figure 15

1. Control bar
2. Slide pushed down

4. Squeeze control bar to handle (Fig. 16).

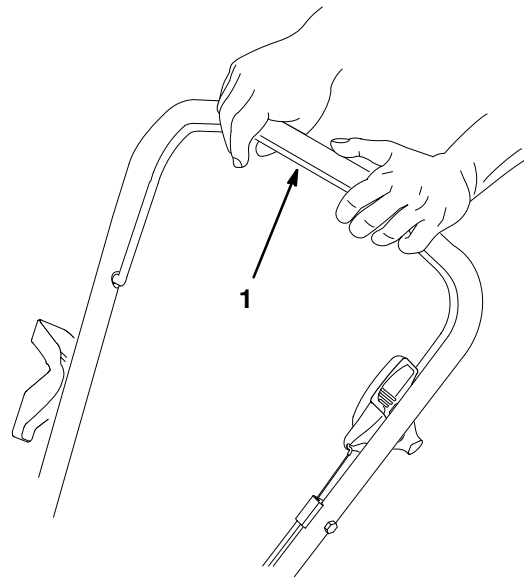


Figure 16

1. Control bar

To Stop Motor

1. Release control bar.
2. Disconnect extension cord from mower if mower will be unattended for any period of time.

m-3700

m-3699

Mowing Tips

General Mulching Tips

Your mower is designed to mulch grass when the mulch door is completely closed (Fig. 17). Follow these instructions whether cutting grass or leaves for the best cutting results and lawn appearance:

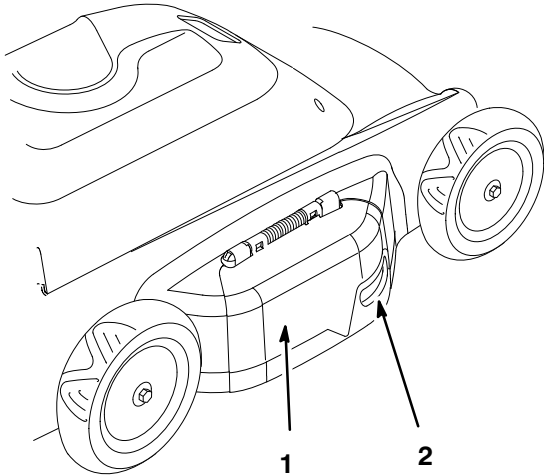




Figure 17

1. Mulch door 2. Handle

- Maintain a **sharp blade** throughout the cutting season. Periodically file down nicks on blade.
- **Only mow dry grass or leaves.** Wet grass and leaves tend to clump on yard and may cause mower to plug or motor to stall. They may also be slippery to walk on and could cause you to slip and fall.

 WARNING 
POTENTIAL HAZARD <ul style="list-style-type: none">• Wet grass or leaves can cause you to slip and contact blade.
WHAT CAN HAPPEN <ul style="list-style-type: none">• Blade contact can seriously injure you.
HOW TO AVOID THE HAZARD <ul style="list-style-type: none">• Mow only in dry conditions.

- Clean clippings or leaves from underside of mower deck after each mowing.
- Grass grows at different rates at different times of the year. In the heat of summer, it is generally best to cut grass at the 2 1/2", 3" or 3 1/2" height-of-cut settings. Only about 1/3 of the grass blade should be cut off.

Cutting below the 2 1/2" setting is not recommended unless grass is sparse or it is late fall when grass growth begins to slow down.

- When changing height-of-cut from the established setting (ex. 2 1/2", 3" or 3 1/2") to a lower height, the grass may appear ragged or uneven until the grass adjusts to the new established height-of-cut and regains its normal appearance.
- When cutting grass over six inches tall, you may want to first mow using the side discharge chute or try the highest height-of-cut setting and a slower walking speed; then mow again at a lower setting for best lawn appearance. If grass is too long and leaves clump on top of lawn, mower may plug and cause motor to stall.
- Alternate mowing direction. This helps disperse clippings over lawn for even fertilization.

If the finished cut lawn appearance is unsatisfactory, try one or more of the following:

- Sharpen the blade.
- Walk at a slower pace while mowing.
- Raise the height-of-cut setting on your mower.
- Cut grass more frequently.
- Overlap cutting swaths instead of cutting a full swath with each pass.
- Set height-of-cut on front wheels one notch lower than rear wheels. (example: set front wheels at 2 inch setting and rear wheels at 2.5 inch setting)

Cutting Leaves

- When cutting is complete, always be sure that 50% of the lawn shows through the cut leaf cover. This may require one or more passes over the leaves.
- For light leaf coverage, position all wheels at the same height-of-cut setting.
- Walk at a slower mowing speed if leaves are not being cut up finely enough to be hidden down in the grass.
- If you cut up a lot of oak leaves, you might want to add lime to your grass in the spring. Lime reduces the acidity of oak leaves.

Adjusting Height-of-Cut

The mower has five height-of-cut adjustments: 1 1/2", 2", 2 1/2", 3" and 3 1/2". The rear adjustment lever adjusts the height-of-cut for both rear wheels, and the front adjustment lever adjusts both front wheels.

1. Stop motor and wait for all moving parts to stop. Disconnect extension cord from mower.

! **DANGER** !

POTENTIAL HAZARD

- Adjusting height-of-cut levers could bring hands into contact with moving blade.

WHAT CAN HAPPEN

- Contact with blade could cause serious personal injury.

HOW TO AVOID THE HAZARD

- Stop motor, disconnect extension cord from mower and wait for all moving parts to stop before changing the height-of-cut.
- Do not put fingers under housing to lift mower when adjusting height-of-cut levers.

2. For easier adjustment, lift housing up so wheels are off ground. **Do not place hands under deck to lift housing.** Squeeze adjustment lever toward wheel and move lever to desired setting (Fig. 18). Ensure pin on adjustment lever engages notch in mower housing. Adjust all wheels to the same setting.

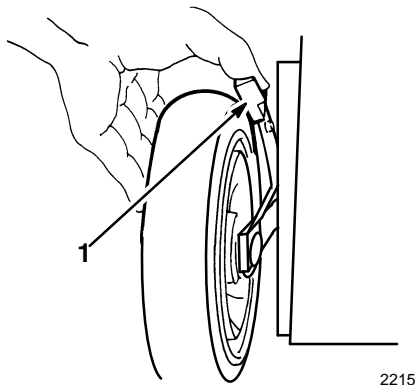


Figure 18

1. Height-of-cut adjustment lever

Note: For easier adjustment of rear wheels, grasp lower handle with one hand and lift up mower slightly so wheel is off ground. Then squeeze adjustment handle toward wheel.

Maintenance

! **WARNING** !

POTENTIAL HAZARD

- When extension cord is connected to mower and plugged into a normal household outlet, the mower is operational. Someone could accidentally start the mower.

WHAT CAN HAPPEN

- Accidental starting of mower could seriously injure you or other bystanders.

HOW TO AVOID THE HAZARD

- Always remove extension cord from mower receptacle when leaving mower unattended, even for a short period of time.

Cleaning

Before cleaning mower, stop motor, wait for all moving parts to stop, and disconnect extension cord from mower.

IMPORTANT: Do not clean mower with a garden hose. Moisture can be trapped in mower and may cause corrosion of internal parts.

After Every Use

- Clean the underside of the mower housing. Be particularly careful to keep the front cavity clear of all debris (Fig. 19). Remove dirt and grass clippings with a hardwood scraper. Avoid burrs and sharp edges.

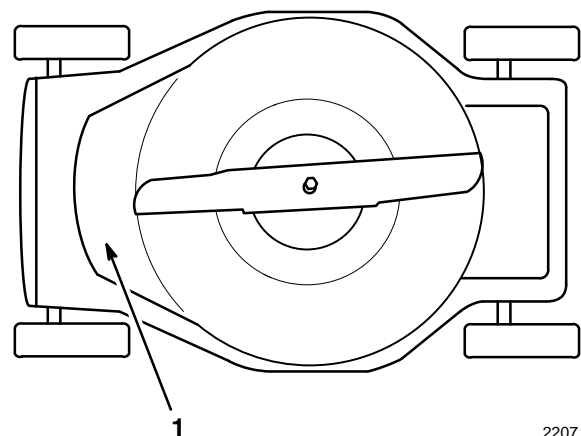


Figure 19

1. Front cavity

- Brush all debris off top of mower housing.

- Inspect plug receptacle for signs of melting or heating. Old, worn out extension cord plugs that fit loosely in the plug receptacle can cause overheating from poor contact. Replace any damaged extension cords immediately.

Once A Year

- Remove top shroud (Fig. 20) and clean out any debris underneath it with compressed air, a vacuum cleaner or a brush.

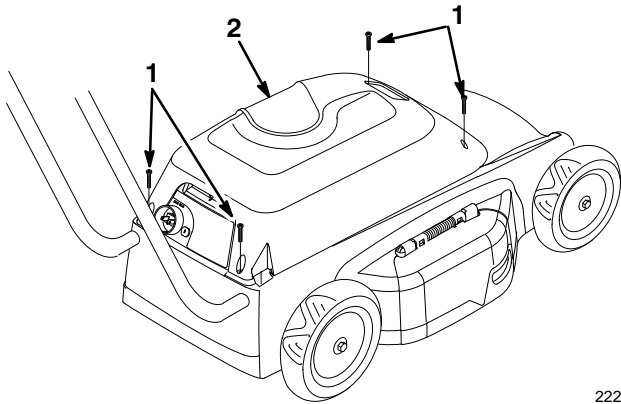


Figure 20

1. Screw (4)
2. Shroud

- Check for any discolored or charred wires or switch contacts. If any are damaged, see your Authorized Toro Service Dealer for repairs.
- Inspect the drive belt and replace if worn or cracked.

Blade

Always mow with a sharp blade. A sharp blade cuts cleanly and without tearing or shredding the grass blades like a dull blade.

	WARNING	
POTENTIAL HAZARD		
<ul style="list-style-type: none"> • Motor could be started by someone accidentally. 		
WHAT CAN HAPPEN		
<ul style="list-style-type: none"> • Accidental starting of motor could cause serious injury to operator or bystanders. 		
HOW TO AVOID THE HAZARD		
<ul style="list-style-type: none"> • Do not attempt to inspect, remove or replace blade without first disconnecting extension cord from the mower. 		

1. Stop motor and wait for all moving parts to stop. Disconnect extension cord from mower.
2. Tip mower on its side (Fig. 21).
3. EXAMINING BLADE – Carefully examine blade for sharpness and wear, especially where flat and curved parts meet (Fig. 21A). Since sand and abrasive material can wear away the metal that connects the flat and curved parts of the blade, check blade before using the mower. If a slot or wear is noticed (Fig. 21B & 21C), replace blade. Refer to step 4.

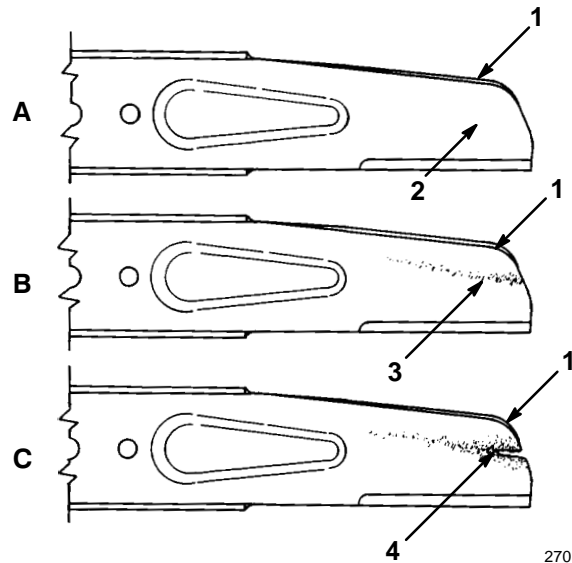


Figure 21

1. Sail
2. Flat part of blade
3. Wear
4. Slot formed

Note: For best performance, install new blade before cutting season begins. During the year, file down small nicks to maintain the cutting edge.

	DANGER	
POTENTIAL HAZARD		
<ul style="list-style-type: none"> • A worn or damaged blade could break and a piece of blade could be thrown in operator's or bystander's direction. 		
WHAT CAN HAPPEN		
<ul style="list-style-type: none"> • A thrown piece of blade could cause serious personal injury or death to operator or bystanders. 		
HOW TO AVOID THE HAZARD		
<ul style="list-style-type: none"> • Inspect blade periodically for wear or damage. • Replace a worn or damaged blade. 		

4. **REMOVING BLADE**—Grasp end of blade using a rag or thickly padded glove. Remove blade bolt, washer and blade (Fig. 22).

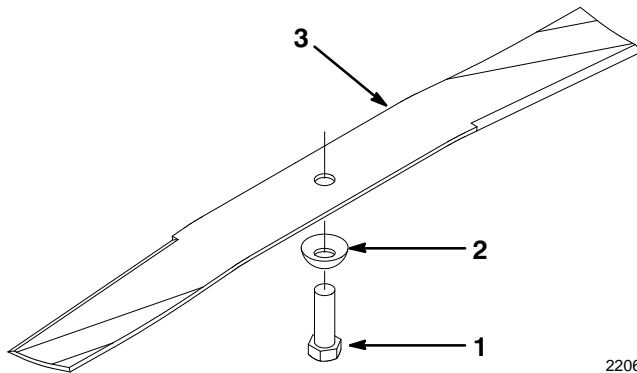


Figure 22

1. Blade bolt
2. Washer
3. Blade

2206

5. **SHARPENING BLADE** – Using a file, sharpen top side of blade and maintain original cutting angle (Fig. 23). The blade will remain balanced if same amount of material is removed from both cutting edges.

IMPORTANT: Check balance of blade by putting it on a blade balancer. An inexpensive balancer can be purchased at a hardware store. A balanced blade stays in a horizontal position and an unbalanced blade settles to the heavy side. If blade is not balanced, file more metal off cutting edge on heavy end of blade.

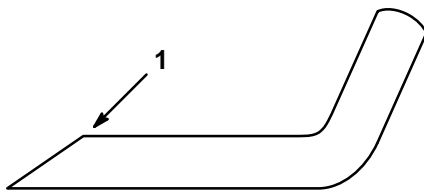


Figure 23


1. Sharpen at this angle only

153

6. Reinstall sharp, balanced blade, washer and blade bolt. Sail part of blade must point toward top of mower housing to ensure correct installation. Washer is

curved and must be reinstalled with curve side down as shown in (Fig. 22). Tighten blade bolt to 45-50 ft-lb (61-68 N·m).

Servicing Double-insulated Mower

In a double-insulated mower, two systems of insulation are provided instead of grounding. No grounding means is provided on a double-insulated mower, nor should a means for grounding be added to the mower. Servicing a double-insulated mower requires extreme care and knowledge of the system, and should be done only by qualified service personnel. Replacement parts for a double-insulated mower must be identical to the parts they replace. A double-insulated mower is marked with the words “DOUBLE INSULATION” or “DOUBLE INSULATED.” The symbol (square within a square)  may also be marked on the mower.

Servicing “On/Off” and Blade Brake System

The motor and blade are designed to stop within 3 seconds after releasing the control bail. Ensure that the control bail functions properly before each use of mower. If the blade does not stop within 3 seconds, or if there is a grinding or scraping metal-to-metal noise when the control bail is released, contact your local Authorized Toro Service Dealer for proper “On/Off” and blade brake adjustment or replacement.

Storage

Store mower in a cool, clean, dry place. Cover mower to keep it clean and protected.

1. Clean mower housing. See Cleaning section in Maintenance chapter.
2. Remove grass clippings, dirt and grime from external parts of the shrouding and top of mower housing.
3. Check condition of blade. See Blade section in Maintenance chapter.
4. Tighten all nuts, bolts, and screws.



Gas, Cordless, Electric,
and 21" Commercial Duty
Walk Mowers

THE TORO PERFORMANCE WARRANTY

A Full Warranty (Limited Warranty for Commercial Use)

What Is Covered By This Express Warranty?

From the date of purchase, for the periods listed below, the Toro Company promises to repair any Toro Product used for normal residential purposes* if defective in materials or workmanship or if it stops functioning due to the failure of a component.

- Super Recycler® Walk Mowers . . . 5 year full warranty
- VacuPower™ Walk Mowers 5 year full warranty
- All Others 2 year full warranty

The cost of parts and labor is included, but the customer pays the transportation costs.

What Products Are Covered By This Warranty?

This warranty applies to all gas, cordless, and electric consumer walk power mowers.

How About Commercial Use?

Toro Walk Power Mowers used for commercial, institutional or rental use are warranted against defects in material or workmanship. Components failing due to normal wear are not covered by this warranty. The following time periods apply from the date of purchase:

Products	Warranty Period	
	Engine	Entire Unit
• 21" Commercial Duty Walk Mowers	2 year limited	1 year limited
• All Others	45 day limited	45 day limited

How Do You Get Warranty Service?

Should you feel your Toro Product requires warranty service, contact the dealer who sold you the product or any Authorized Toro Service Dealer or Toro Master Service Dealer. The Yellow Pages of your telephone directory is a good reference source. The dealer will either arrange service at his/her dealership or recommend another Authorized Service Dealer who may be more convenient. You may need proof of purchase (copy of registration card, sales receipt, etc.) for warranty validation.

If for any reason you are dissatisfied with the Service Dealer's analysis of the defect in materials or workmanship or if you need a referral to a Toro Service Dealer, please feel free to contact us at the following address:

Toro Customer Service Department
8111 Lyndale Avenue South
Bloomington, MN 55420-1196
612-888-8801
800-348-2424

What Must You Do To Keep The Warranty In Effect?

You must maintain your Toro Product by following the maintenance procedures described in the operator's manual. Such routine maintenance, whether performed by a dealer or by you, is at your expense.

What Does This Warranty Not Cover? and

How Does Your State Law Relate To This Warranty?

There is no other express warranty except for special emission system coverage on some products and the Toro Starting Guarantee on GTS Engines. This express warranty does not cover:

- Cost of regular maintenance service or parts, such as filters, fuel, lubricants, oil changes, spark plugs, blade sharpening, blade worn out, cable/linkage adjustments or brake and clutch adjustments.
- Any product or part which has been altered or misused or required replacement or repair due to accidents or lack of proper maintenance.
- Repairs necessary due to improper fuel, contaminants in the fuel system, or failure to properly prepare the fuel system prior to any period of non-use over three months.
- Repairs necessary due to improper battery care, electrical supply irregularities, or failure to properly prepare the mower prior to any period of non-use.
- Pickup and delivery charges.

All repairs covered by this warranty must be performed by an Authorized Toro Service Dealer using Toro approved replacement parts.

Repair by an Authorized Toro Service Dealer is your sole remedy under this warranty.

The Toro Company is not liable for indirect, incidental or consequential damages in connection with the use of the Toro Products covered by this warranty, including any cost or expense of providing substitute equipment or service during reasonable periods of malfunction or non-use pending completion of repairs under this warranty. Some states do not allow exclusions of incidental or consequential damages, so the above exclusion may not apply to you.

This warranty gives you specific legal rights, and you may also have other rights which vary from state to state.

* Normal residential purposes means mowing the lawn on the same lot as your home. Use at more than one location is considered commercial use and the commercial use warranty would apply.

COUNTRIES OTHER THAN THE UNITED STATES OR CANADA

Customers who have purchased Toro products exported from the United States or Canada should contact their Toro Distributor (Dealer) to obtain guarantee policies for your country, province, or state. If for any reason you are dissatisfied with your Distributor's service or have difficulty obtaining guarantee information, contact the Toro importer. If all other remedies fail, you may contact us at The Toro Company.