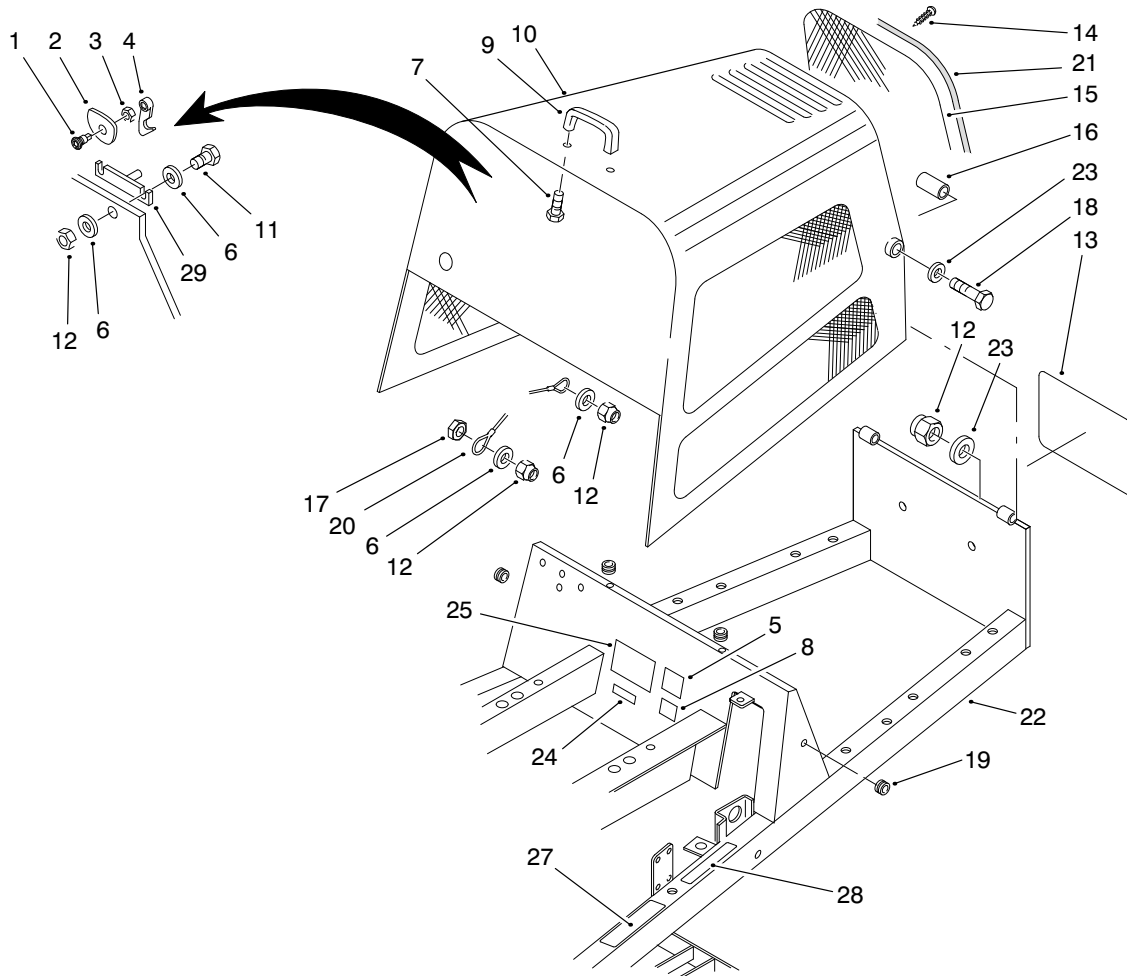




MODEL NO. 02000-80001 & UP
 MODEL NO. 02001-80001 & UP
 MODEL NO. 02002-80001 & UP

**PARTS
 CATALOG**

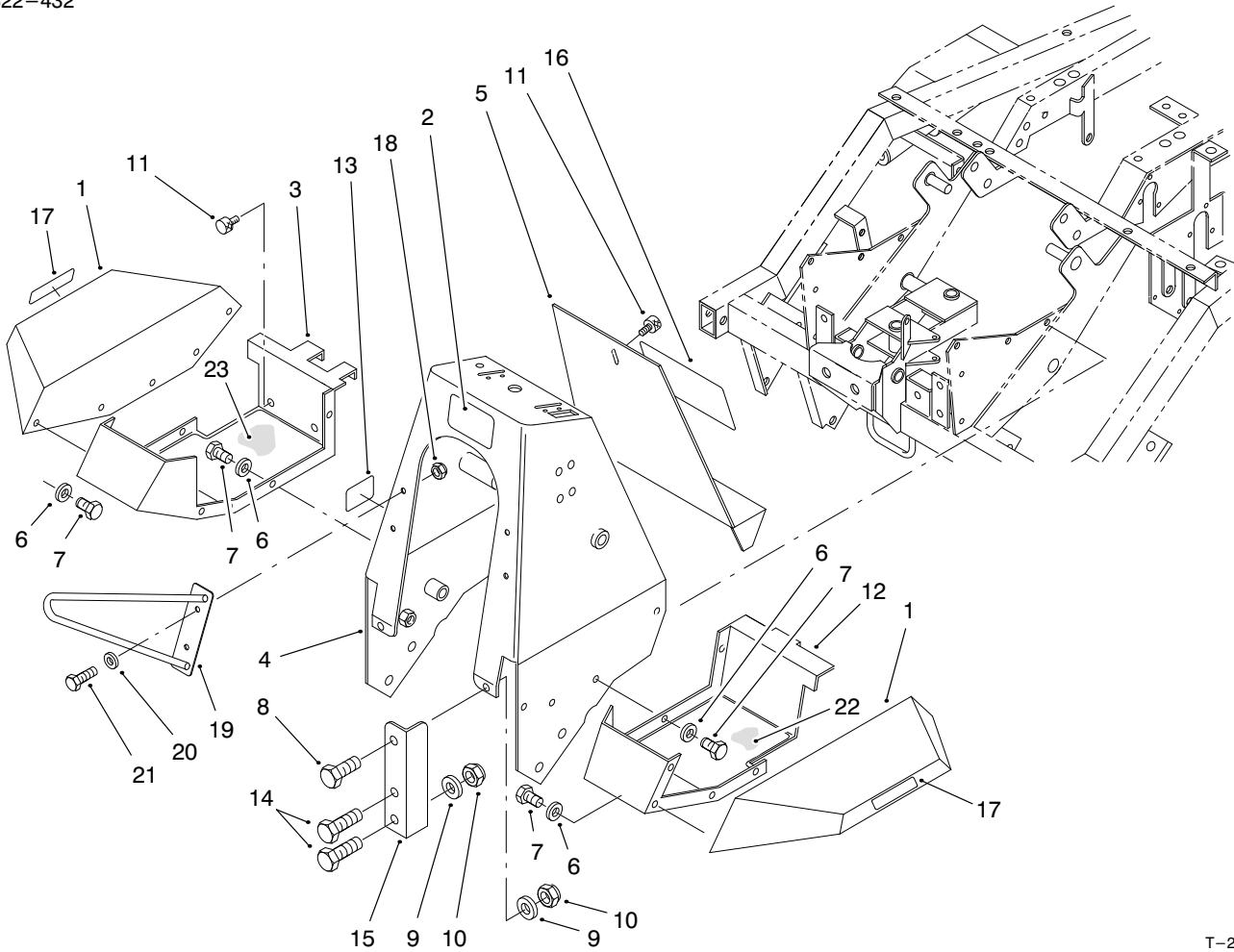
GROUNDS PRO 2000



T-2979-2

HOOD & FRAME ASSEMBLY

Ref. No.	Part No.	Description	No. Used	Ref. No.	Part No.	Description	No. Used
†1		Screw	1	15	98-5655	Screen-Hood	1
†2		Plate	1	16	98-5659	Spacer	2
†3		Nut	1	17	33013-00	Nut	1
4	98-5398	Lock-Hood (Incl. Ref. #1-3)	1	18	33113-040	Screw	2
5	66-2000	Decal-Noise Rating	1	19	237-141	Grommet	4
6	33093-00	Washer	6	20	98-5667	Cable	1
7	46-8091	Screw-Tapping	2	21	98-5843	Seal	1
8	93-7252	Decal-CE Mark	1	22	99-3329	Frame Assembly (Incl. Ref. #27 & 28)	1
9	65-5100	Handle-Hood	1	23	602945	Washer	4
10	98-5649	Hood	1	24	98-5350	Decal-Country of Origin	1
11	33113-020	Screw	2	25	85-6910	Decal-Noise Rating	1
12	33023-00	Nut-Lock	6	27	93-7814	Decal-Danger	1
13	67-1300	Decal-Logo	1	28	93-7272	Decal-Caution	1
14	32144-118	Screw	4	29	98-5674	Pin-Lock	1



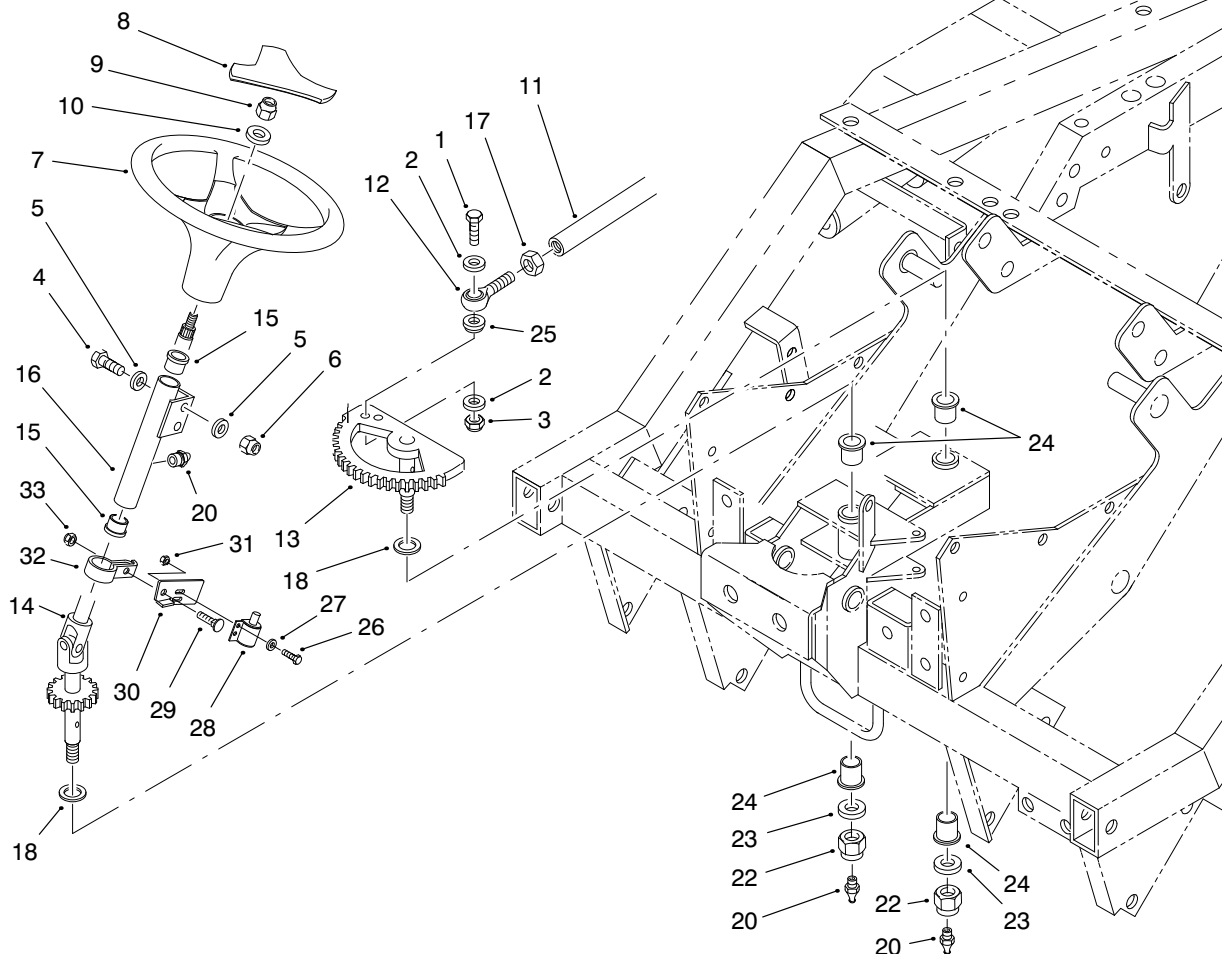
T-2978-2

CONTROL PANEL, FOOTREST AND FENDERS

Ref. No.	Part No.	Description	No. Used
1	98-5642	Fender	2
2	67-1300	Decal-Logo	1
3	98-5639	Plate-Foot, RH	1
4	98-5627	Steering Tower Assembly	1
5	99-3328	Panel-Service (Incl. Ref. #16)	1
6	33093-00	Washer	16
7	33113-016	Screw	16
8	33115-020	Screw	2
9	33095-00	Washer	6
10	33025-00	Nut	6
11	75-6840	Knob-Knurled	3
12	98-5638	Plate-Foot, LH	1

Ref. No.	Part No.	Description	No. Used
13	93-7267	Decal-Parking Brake	1
14	33115-030	Screw	4
15	98-5483	Bracket-Angle, LH	1
*	98-5482	Bracket-Angle, RH	1
16	98-5322	Decal-Safety	1
17	93-9687	Decal-No Step	2
18	33024-00	Nut-Lock	4
19	98-5835	Bracket-CE, RH	1
*	98-5669	Bracket-CE, LH	1
20	33094-00	Washer-Flat	4
21	33114-020	Screw-HH	4
22	98-5640	Rubber-Footplate	1
23	98-5641	Rubber-Footplate	1

*Not Illustrated

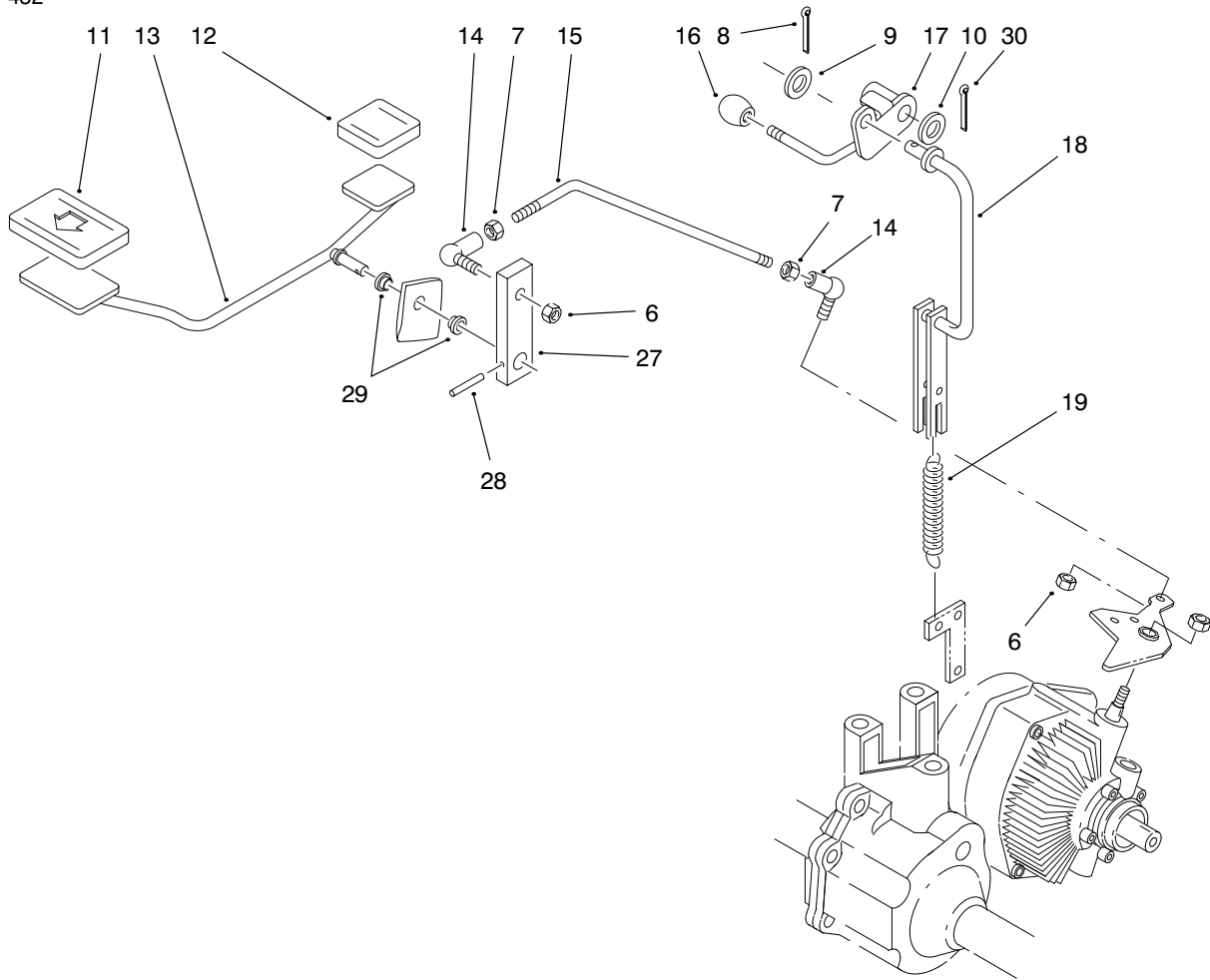


T-2973-2

STEERING ASSEMBLY

Ref. No.	Part No.	Description	No. Used
1	33115-045	Screw	1
2	33095-00	Washer-Flat	2
3	33025-00	Nut-Lock	1
4	33114-060	Screw-HH	1
5	33094-00	Washer-Flat	2
6	33024-00	Nut-Lock	1
7	94-3500	Steering Wheel (Incl. Ref. #8)	1
8	88-3870	Cover-Steering Wheel	1
9	3296-25	Nut-Lock	1
10	3256-26	Washer-Flat	1
11	98-5463	Rod-Steering	1
12	98-5442	Rod End-RH	1
13	93-6768	Gear-Sector	1
14	98-5325	Steering Shaft & Gear	1
15	256-27	Bushing-Straight	2
16	93-6769	Steering Column	1

Ref. No.	Part No.	Description	No. Used
17	33015-00	Nut	1
18	3-6498	Washer-Thrust	2
20	302-5	Fitting-Grease	3
22	3296-33	Nut-Lock	2
23	3256-27	Washer-Flat	2
24	92-3162	Bushing-Flange	4
25	98-5462	Washer	1
26	52-6450	Screw	2
27	52-6430	Washer-Flat	2
28	55-7120	Switch-Lift	1
29	3230-3	Bolt-Carriage	1
30	98-5680	Plate-Switch	1
31	87-5140	Nut-Lock	2
32	98-5847	Clamp (Incl. Ref. #29 & 33)	1
33	3296-29	Nut-Lock	1

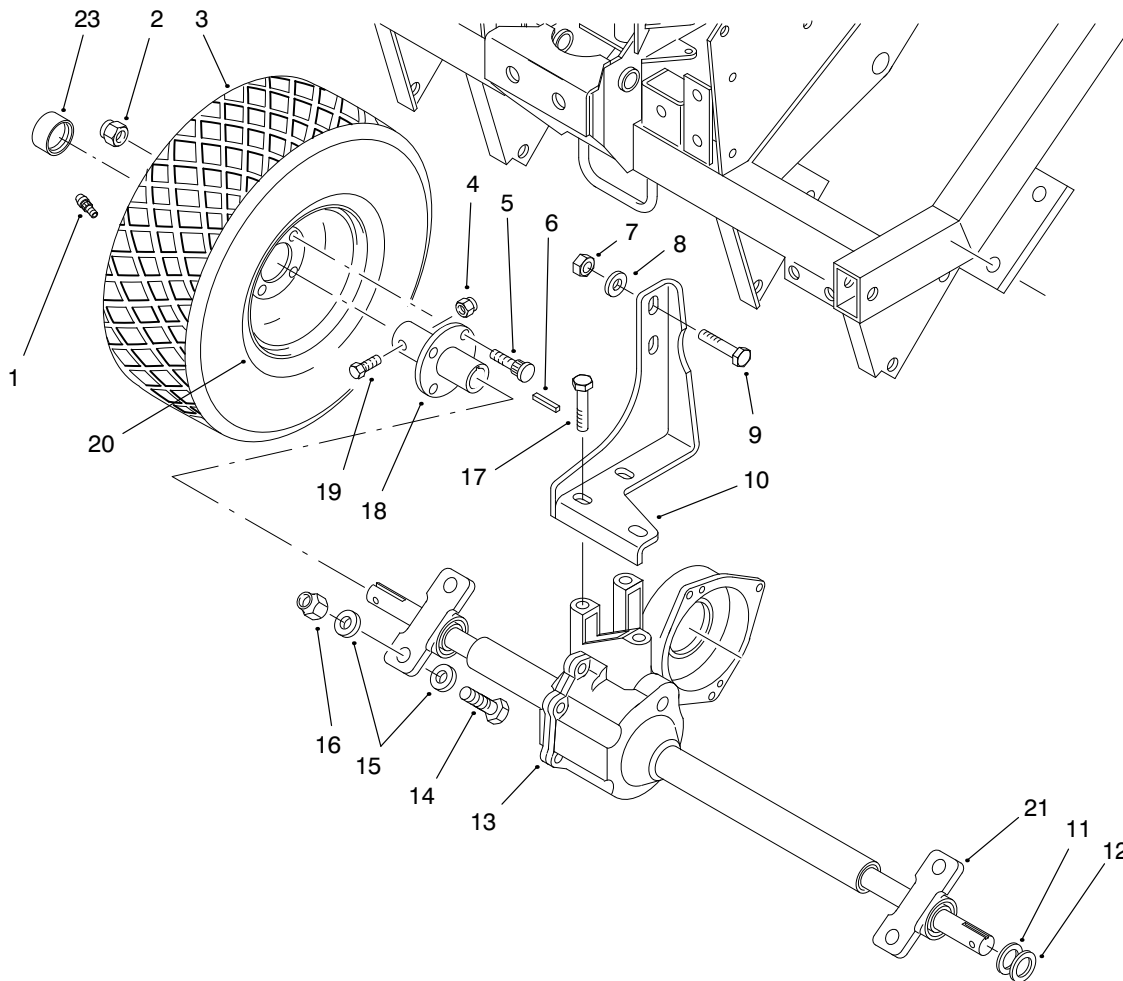


T-2975-2

TRACTION LINKAGE

Ref. No.	Part No.	Description	No. Used
6	33024-00	Nut	2
7	33014-00	Nut	2
8	3272-42	Pin-Cotter	1
9	33095-00	Washer	1
10	33098-00	Washer	1
11	74-9110	Pad-Forward	1
12	74-9100	Pad-Reverse	1
13	98-5474	Pedal-Traction	1
14	98-5445	Rod End	2

Ref. No.	Part No.	Description	No. Used
15	98-5466	Rod-Traction	1
16	233-37	Knob	1
17	98-5479	Plate	2
18	98-5481	Lever-Brake	1
19	54-0960	Spring	1
27	98-5476	Lever	1
28	32121-6	Pin-Roll	1
29	256-287	Bushing-Flange	2
30	3272-11	Pin-Cotter	1



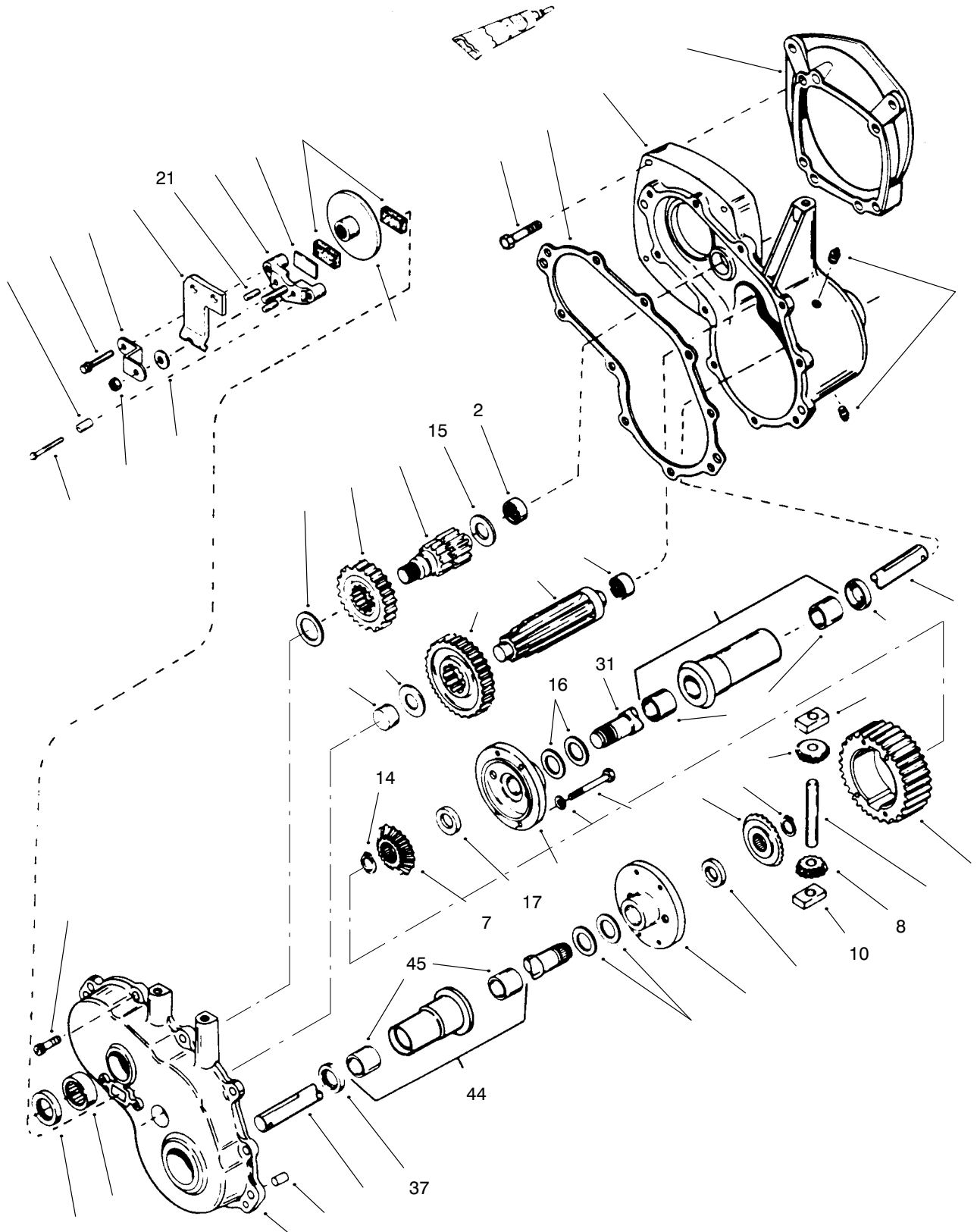
T-2991-1

FRONT AXLE ASSEMBLY

Ref. No.	Part No.	Description	No. Used	Ref. No.	Part No.	Description	No. Used
1	232-27	Stem-Valve	2	15	33096-00	Washer	8
2	242-50	Nut	8	16	33026-00	Nut-Lock	4
3	94-9387	Tire-23 x 9.5-12	2	17	3234-1	Screw	3
4	3296-29	Nut-Lock	2	18	98-5337	Hub-Wheel	2
5	242-71	Bolt-Wheel	8	19	322-10	Screw	2
6	5-0786	Key-Square	2	20	98-5315	Rim-Wheel	2
7	33025-00	Nut-Lock	2	21	98-5336	Bearing Assembly	
8	33095-00	Washer-Flat	2			(Incl. Ref. #22)	2
9	33115-025	Screw-HH	2	*22	3245-35	Screw-Set	2
10	98-5531	Mount-Axle	1	23	111951	Cap-Hub	2
11	98-5525	Washer-Shim	A/R	*	98-5316	Tire & Wheel Assembly	
12	98-5526	Washer-Shim	A/R			(Incl. Ref. #1, 3 & 20)	2
13	98-5327	Axle Assembly	1	*	8-2531	Chains-Tire (Optional)	2
14	33116-045	Screw-HH	4				

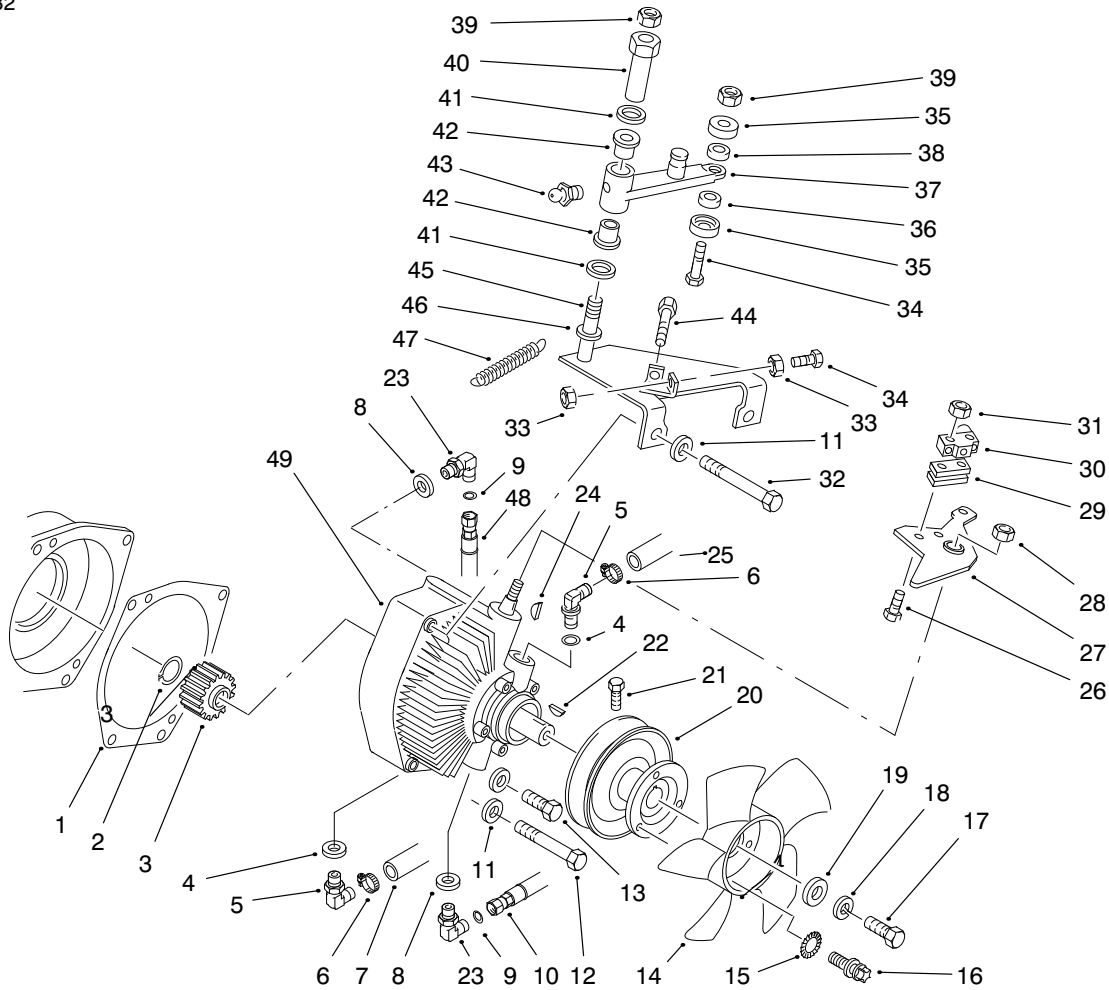
*Not Illustrated

AXLE ASSEMBLY NO. 98-5327



AXLE ASSEMBLY NO. 98-5327

Ref. No.	Part No.	Description	No. Used	Ref. No.	Part No.	Description	No. Used
1	98-5352	Cover Assembly	1	25	98-5370	Screw	1
2	98-5353	Bearing-Needle	2	26	98-5371	Nut-Lock	1
3	98-5354	Bearing-Needle	1	27	98-5372	Holder-Pad, Brake	1
4	98-5355	Case Assembly	1	28	98-5373	Spacer	1
5	98-5356	Shaft-Output	1	29	98-5374	Bracket-Lever, Brake	1
6	98-5357	Gear-Output	1	30	98-5375	Axle	1
7	98-5358	Gear-Bevel	2	31	98-5376	Axle	1
8	98-5359	Pinion-Bevel	2	32	98-5377	Shaft-Shifter & Brake	1
9	98-5360	Gear-Ring	1	33	98-5378	Bearing-Needle	1
10	95-7213	Block-Drive	2	34	98-5379	Washer-Flat	1
11	95-7212	Pin-Drive	1	35	281-2	Plug-Pipe	3
12	98-5361	Screw	10	36	27-6420	Seal-Oil	1
13	98-5362	Screw	3	37	98-5380	Seal-Oil	2
14	98-5363	Ring-Retaining, External	2	38	98-5381	Carrier-Differential	1
15	95-7244	Washer	2	39	98-5382	Carrier-Differential	1
16	252-80	Washer-Thrust	4	40	98-5383	Screw	8
17	95-7257	Washer	2	41	3253-3	Washer-Lock	8
18	98-5364	Disc-Brake	1	42	98-5384	Gasket-Case to Cover	1
19	98-5365	Plate-Pad, Brake	1	43	98-5385	Gear-Spur	1
20	98-5366	Pad-Brake	1	44	98-5386	Axle Housing Assembly	2
21	95-7236	Pin-Dowel	6	45	98-5387	Bushing	4
22	98-5367	Washer-Flat	1	46	98-5388	Plate-Adapter	1
23	98-5368	Arm-Brake	1	47	98-5389	Gasket-Loctite	1
24	98-5369	Screw	1				

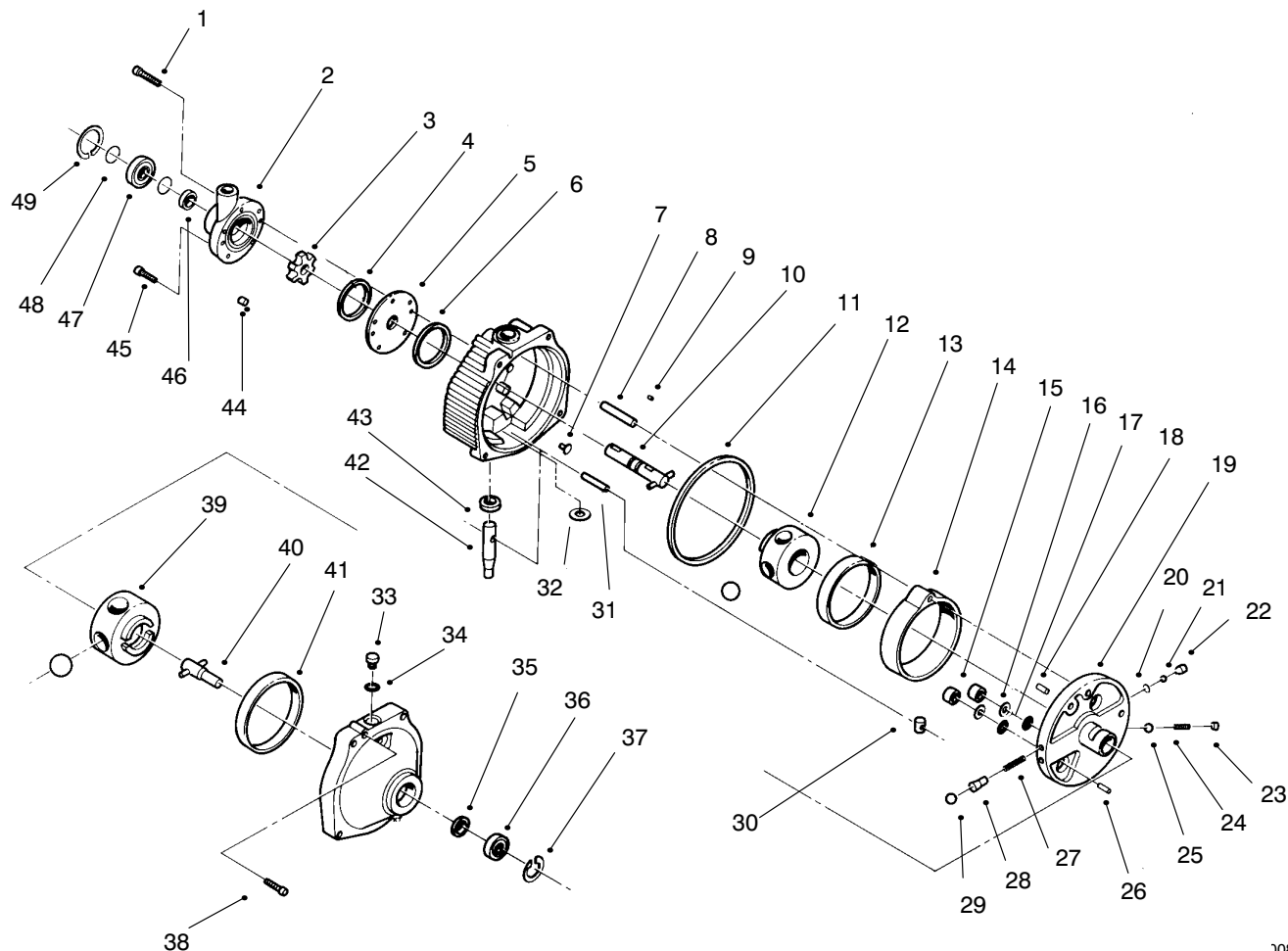


T-2993-1

TRANSMISSION ASSEMBLY

Ref. No.	Part No.	Description	No. Used
1	108319	Gasket	1
2	32120-64	Ring-Snap	1
3	54-0320	Gear	1
4	237-80	O-Ring	2
5	94-7691	Adapter (Incl. Ref. #4)	2
6	2412-129	Clamp-Hose	2
7	98-5341	Hose	1
8	237-42	O-Ring	2
9	237-22	O-Ring	2
10	63-7550	Hose Assembly	1
11	3253-5	Washer-Lock	4
12	323-16	Screw-HH	1
13	323-13	Screw-HH	1
14	54-0240	Fan	1
15	3255-5	Washer-Lock	3
16	32144-19	Screw-Round Head	3
17	321-2	Screw-HH	1
18	3253-3	Washer-Lock	1
19	3256-55	Washer	1
20	54-0930	Pulley-Transmission	1
21	3241-2	Screw-Set	2
22	3257-5	Key-Woodruff	1
23	340-77	Fitting-Hydraulic (Incl. Ref. #8 & 9)	2
24	3257-24	Key-Woodruff	1

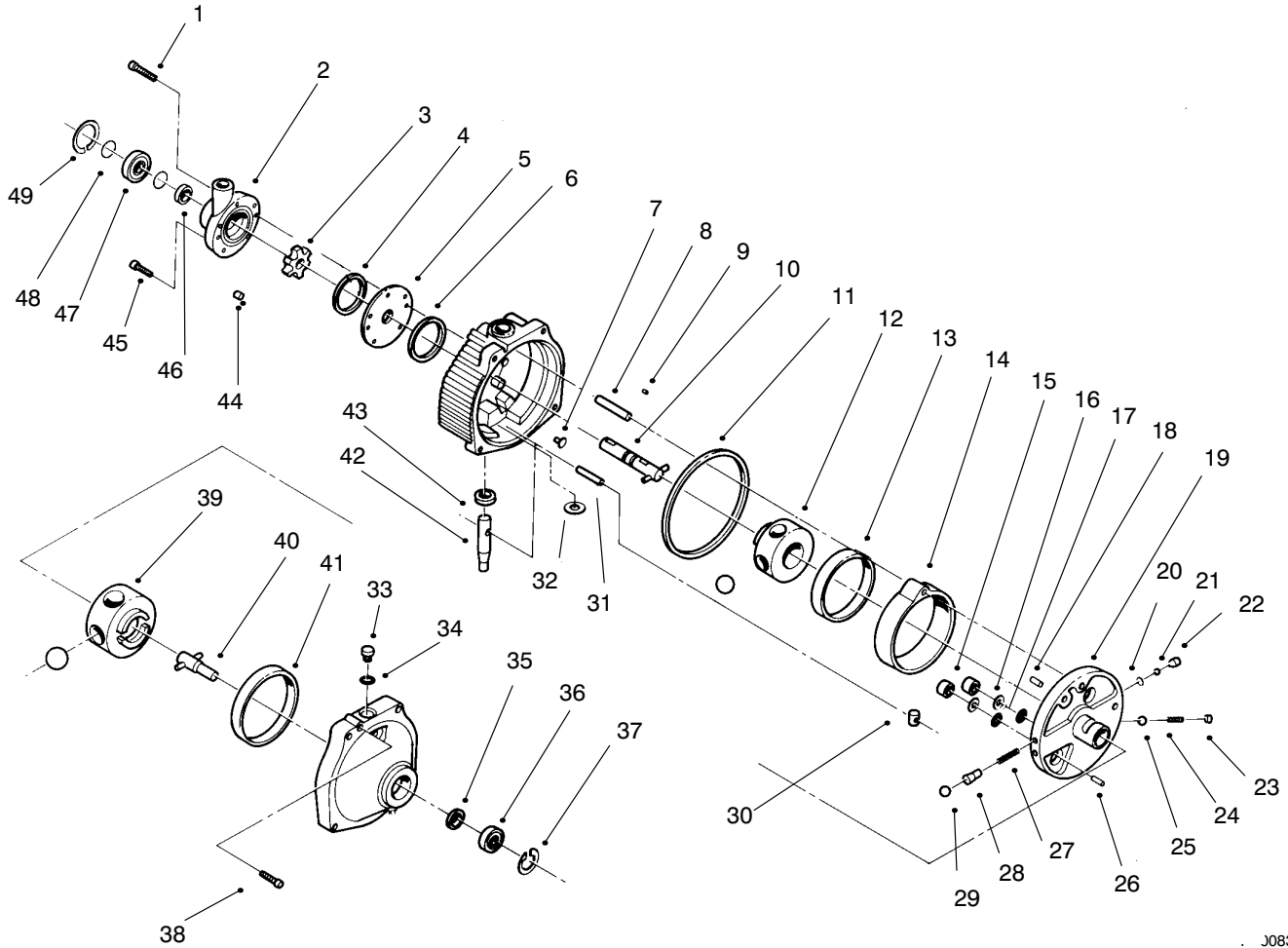
Ref. No.	Part No.	Description	No. Used
25	98-5342	Hose	1
26	3250-46	Screw	2
27	98-5529	Plate-Traction	1
28	3296-25	Nut	1
29	75-4130	Spacer	2
30	29-6163	Switch	1
31	3296-9	Nut	2
32	323-14	Screw-HH	2
33	3217-6	Nut	4
34	322-7	Screw-HH	2
35	251-307	Bearing	2
36	92-6290	Spacer	1
37	92-6289	Swing Arm Assembly (Incl. Ref. #42 & 43)	1
38	75-5470	Spacer-Bearing	1
39	3296-29	Nut-Lock	2
40	76-8640	Stud-Traction	1
41	3-6498	Washer	1
42	256-113	Bushing-Flange	2
43	302-60	Fitting-Grease	1
44	322-6	Screw-HH	1
45	92-6270	Plate-Traction	1
46	3256-68	Washer	1
47	76-9430	Spring-Extension	1
48	76-6880	Hose Assembly	1
49	98-0777	Transmission-Hydrostatic	1



J083-1

HYDROSTATIC TRANSMISSION ASSEMBLY NO. 98-0777

Ref. No.	Part No.	Description	No. Used	Ref. No.	Part No.	Description	No. Used
1	56-2800	Screw - Hex. Socket Hd.	1	23	56-3050	Plug - Relief Valve	1
2	56-2830	Charge Pump Assembly (Incl. Ref. #1)	1	24	56-3040	Spring - Relief Valve	1
3	56-3120	Carrier	1	25	56-3030	Ball	1
4	56-2850	Ring - Seal	1	26	56-3060	Pin - Dowel	1
5	56-2860	Plate - Pump	1	27	56-3180	Spring - Valve	2
6	56-2870	Ring - Seal	1	28	56-3200	Body - Valve	2
7	56-2880	Button	2	29	56-3210	Ball	2
8	56-2890	Pin - Dowel	1	30	56-3170	Insert - Cam Ring	1
9	56-2900	Pin - Drive	1	31		Dowel	1
10	56-2910	Input Shaft Assembly	1	32		Washer - Control Shaft	1
11	56-2920	Ring - Seal	1	33	56-3250	Plug Assembly (Incl. Ref. #34)	1
12	56-2930	Pump Rotor & Ball Assembly	1	34	56-3260	"O"Ring	1
13		Race - Pump	1	35	56-3270	Seal - Oil	1
14	56-2940	Cam Ring Assembly (Incl. Ref. #13)	1	36	56-3280	Bearing - Output	1
15	56-2950	Piston	2	37	56-3290	Ring - Retaining	1
16	56-2960	Ring - Backup	2	38	56-3300	Screw - Hex. Socket Hd.	2
17	56-2970	"O"Ring	2	39	56-3220	Motor Rotor & Ball Assembly	1
18	56-2980	Pin - Coil	1	40	56-3230	Output Shaft Assembly	1
19	56-2990	Pintle Assembly (Incl. Ref. #15-18, 20, 22-26 & 27-29)	1	41	56-3240	Race - Motor	1
20	56-3000	Ring - Retaining	2	42	56-3140	Control Shaft Kit (Incl. Ref. #31 & 32)	1
21	56-3010	Ball	2	43	56-3130	Seal - Oil	1
22	56-3020	Body - Check Valve	2	44	56-3110	Pin - Roll	6
				45	56-3100	Screw - Hex. Socket Hd.	4
				46	56-2820	Seal - Oil	1

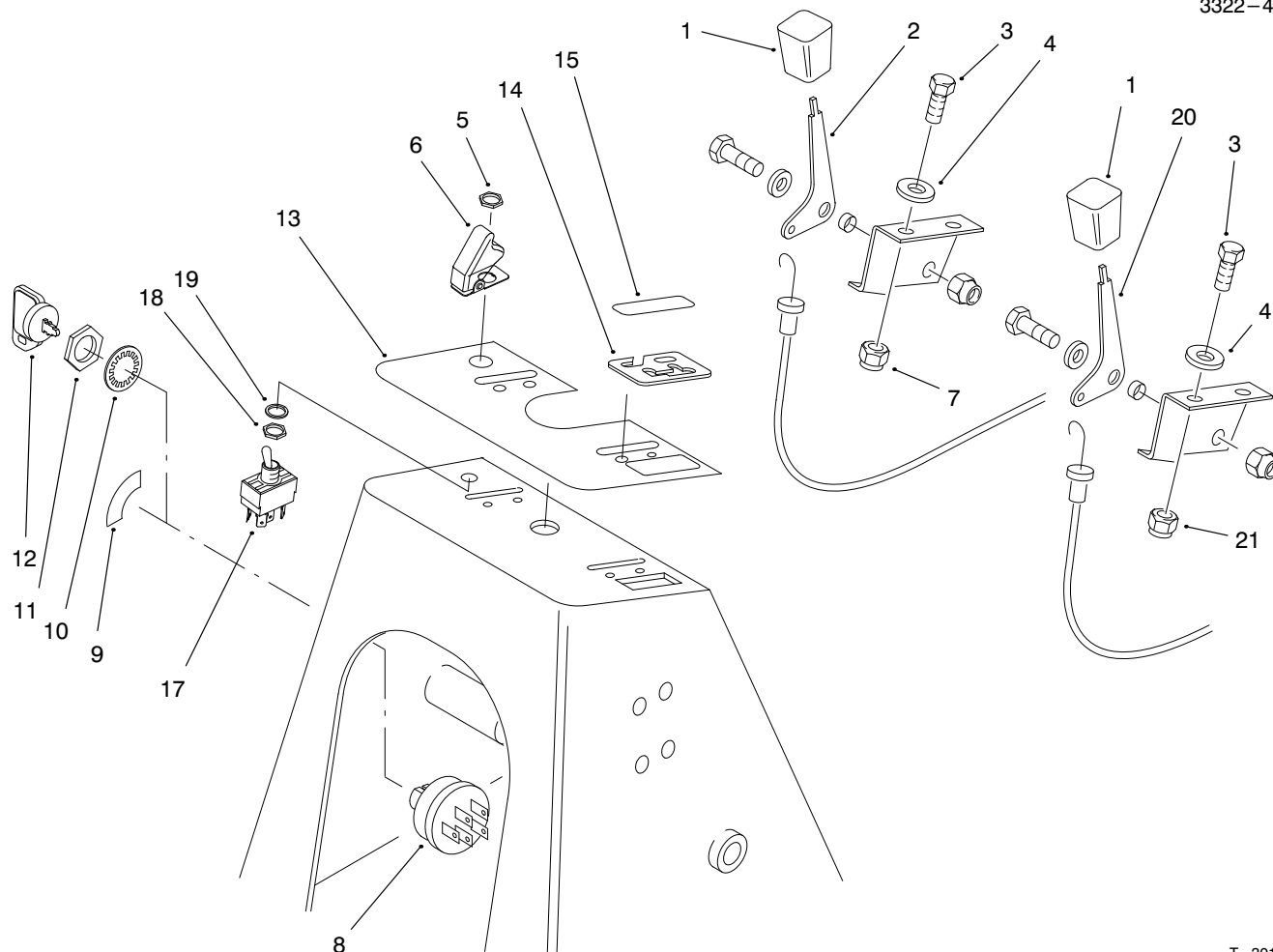


J083-1

HYDROSTATIC TRANSMISSION ASSEMBLY NO. 98-0777 (Continued)

Ref. No.	Part No.	Description	No. Used
47	56-2810	Bearing - Input	1
48	56-3090	Ring - Retaining	2
49	56-3080	Ring - Retaining	1

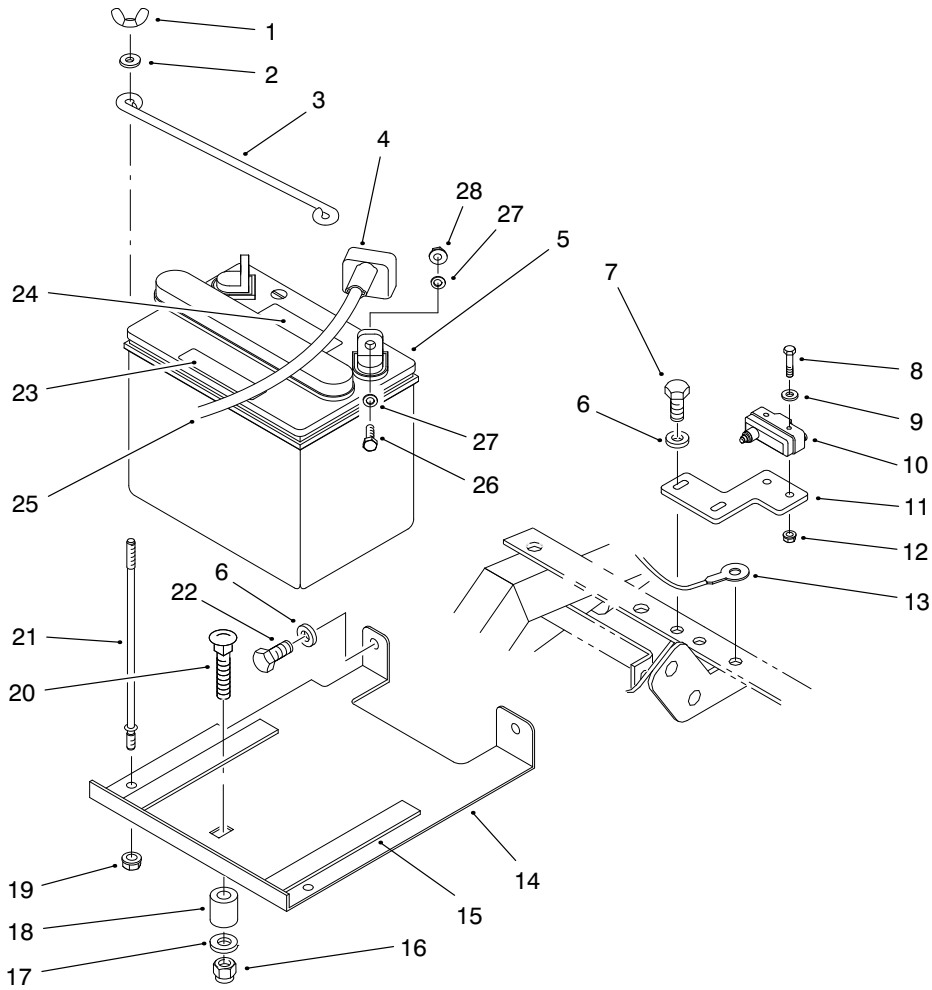
Ref. No.	Part No.	Description	No. Used
*	56-3310	Kit - Overhaul Seal (Incl. Ref. #4, 6, 11, 16, 17, 34, 35, 43 & 46)	1



T-3014-1

CONTROLS ASSEMBLY

Ref. No.	Part No.	Description	No. Used	Ref. No.	Part No.	Description	No. Used
1	66-0120	Knob-Lever	2	11	218-461	Nut-Hex.	1
2	54-1451	Control-Throttle	1	12	63-8360	Key-Ignition	1
3	33113-020	Screw-HH	4	13	98-5319	Decal-Panel, Control	1
4	33093-00	Washer-Flat	4	14	98-5633	Plate	1
5	113179	Nut	1	15	98-5346	Decal-Lift	1
6	113050	Cover-Switch	1	17	116716	Switch-Clutch (Incl. Ref. #5, 18 & 19)	1
7	33023-00	Nut-Lock	2	18	105805	Nut	1
8	88-9830	Ignition Switch Assembly (Incl. Ref. #10 & 11)	1	19	102950	Washer	1
9	98-5320	Decal-Ignition	1	20	98-5305	Control-Choke	1
10	3254-5	Washer-Lock	1	21	98-5845	Nut	2

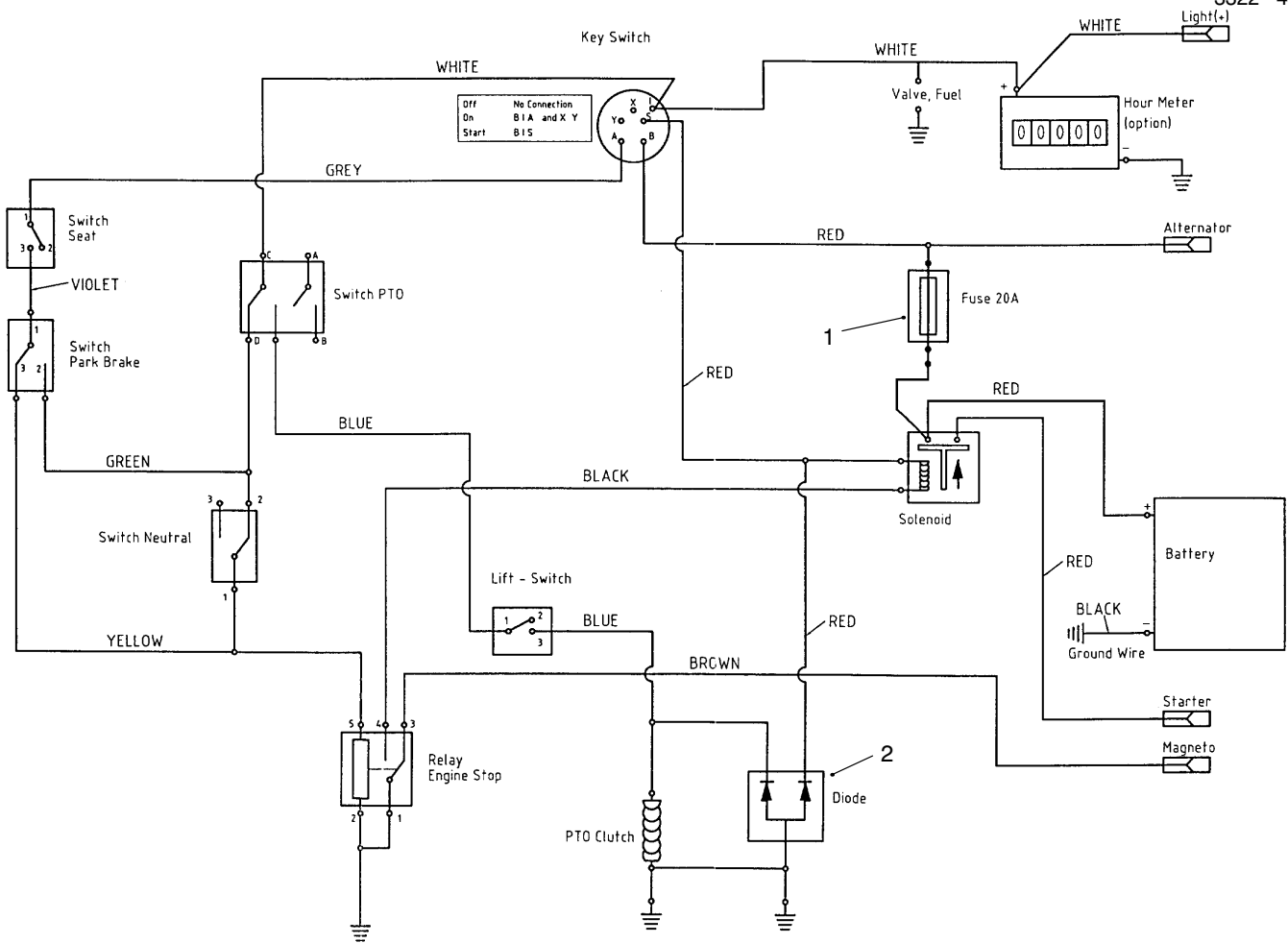


T-3017-2

BATTERY ASSEMBLY

Ref. No.	Part No.	Description	No. Used
1	32103-12	Nut-Wing	2
2	3256-1	Washer-Flat	2
3	72-4790	Clamp-Battery	1
4	28-8080	Boot-Terminal	1
5	82-4640	Battery	1
6	43-5930	Washer	4
7	33113-016	Screw	2
8	3250-35	Screw	2
9	3256-53	Washer-Flat	2
10	29-6163	Switch-Brake	1
11	98-5488	Plate-Switch	1
12	3296-9	Nut-Lock	2
13	98-5678	Wire-Ground	1
14	98-5471	Battery Plate Assembly (Incl. Ref. #15)	1

Ref. No.	Part No.	Description	No. Used
15	98-5472	Rubber	2
16	33025-00	Nut	1
17	33095-00	Washer	1
18	98-5485	Spacer	1
19	32149-2	Nut-Hex	2
20	33125-090	Screw	1
21	10-8120	Bolt-Battery	2
22	33113-008	Screw	2
23	93-6668	Decal-Battery	1
24	93-7276	Decal-Battery	1
25	98-5677	Harness-Wire	1
26	33113-020	Screw-HH	2
27	33093-00	Washer-Flat	4
28	33023-00	Nut-Lock	2

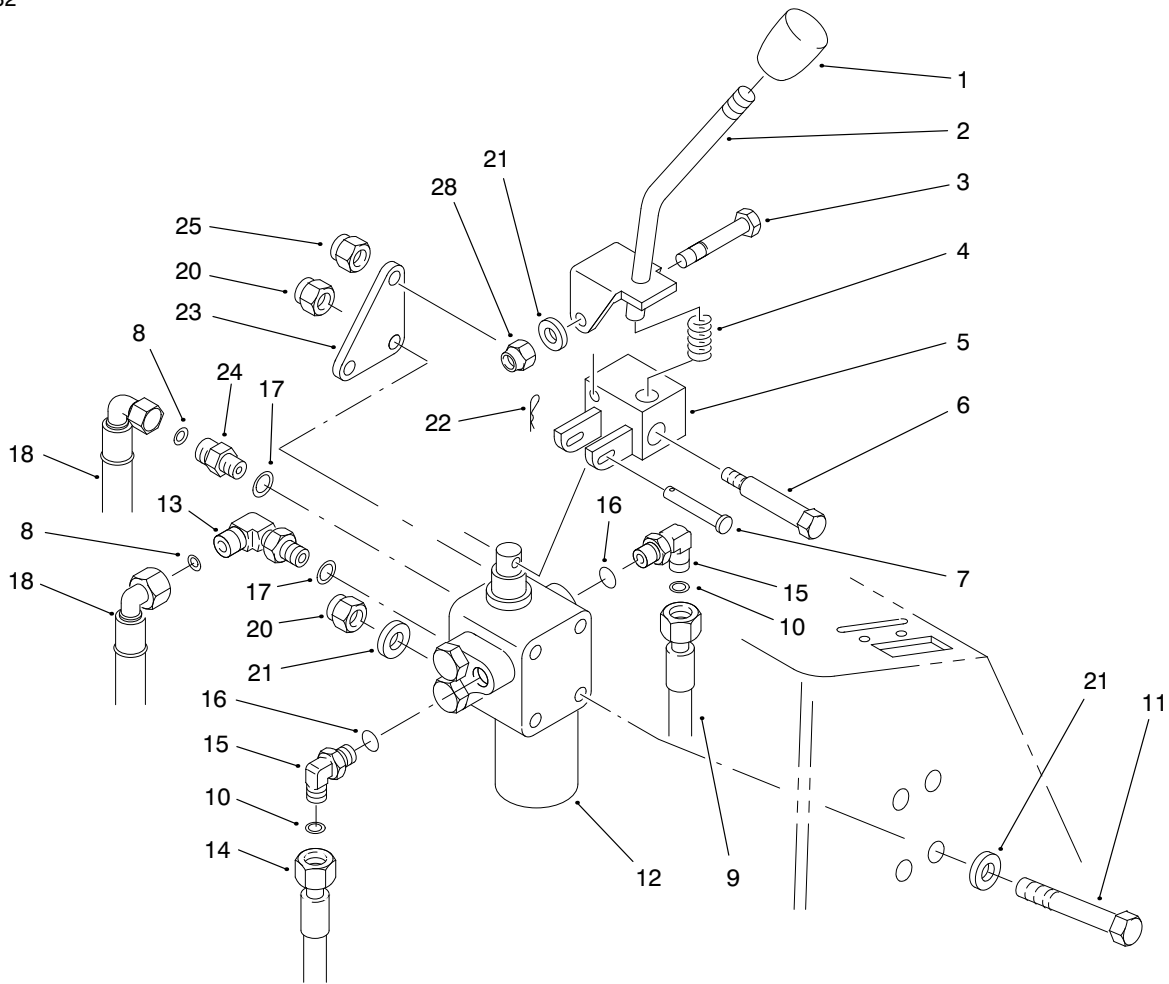


ELECTRICAL SCHEMATIC

Ref. No.	Part No.	Description	No. Used
1	218-594	Fuse-20 Amp	1
2	94-5849	Diode	1
*	98-5677	Harness-Wire, Main	1

Ref. No.	Part No.	Description	No. Used

*Not Illustrated

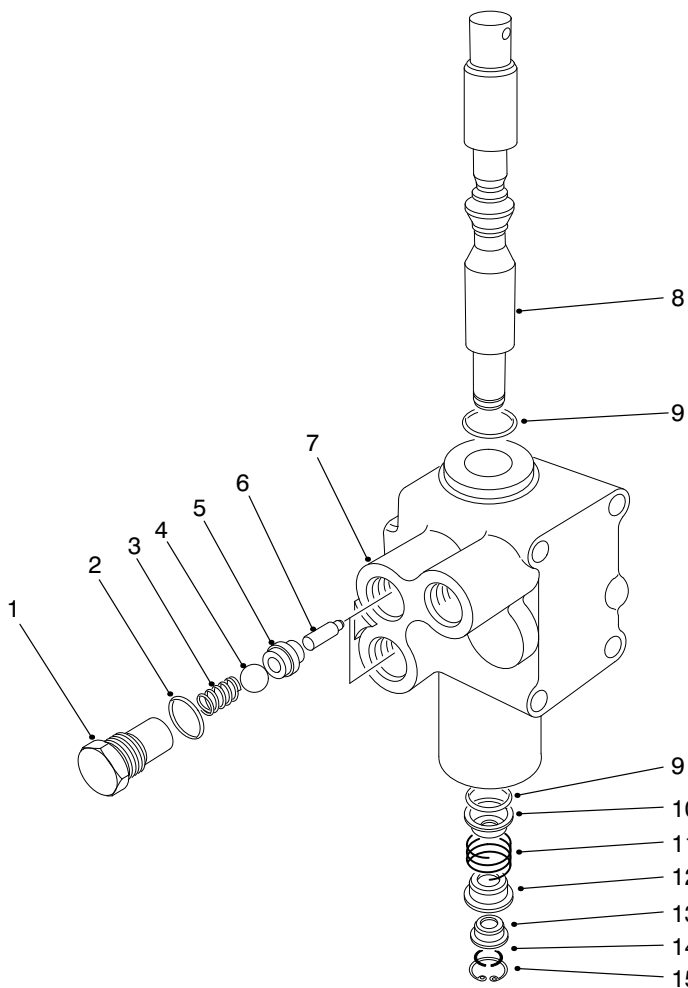


T-2990-1

LIFT VALVE ASSEMBLY

Ref. No.	Part No.	Description	No. Used
1	233-37	Knob	1
2	98-5661	Lever-Valve	1
3	33113-045	Screw-HH	1
4	98-5836	Spring	1
5	98-5664	Plate	1
6	56-6590	Screw	1
7	283-17	Pin-Clevis	1
8	237-21	O-Ring	2
9	63-7550	Hose Assembly	1
10	237-22	O-Ring	2
11	321-23	Screw-HH	4
12	43-1710	Valve Assembly	1
13	340-132	Fitting-Hydraulic (Incl. Ref. #8 & 17)	1

Ref. No.	Part No.	Description	No. Used
14	76-8210	Hose Assembly	1
15	340-77	Fitting-Hydraulic (Incl. Ref. #10 & 16)	2
16	237-42	O-Ring	2
17	237-78	O-Ring	2
18	98-5343	Hose Assembly	2
20	3296-56	Nut	4
21	33093-00	Washer-Flat	5
22	3272-6	Pin-Cotter	1
23	98-5668	Plate-Valve	1
24	340-92	Fitting-Hydraulic (Incl. Ref. #8 & 17)	1
25	3296-39	Nut	1
28	33023-00	Nut-Lock	1



T-0428-2

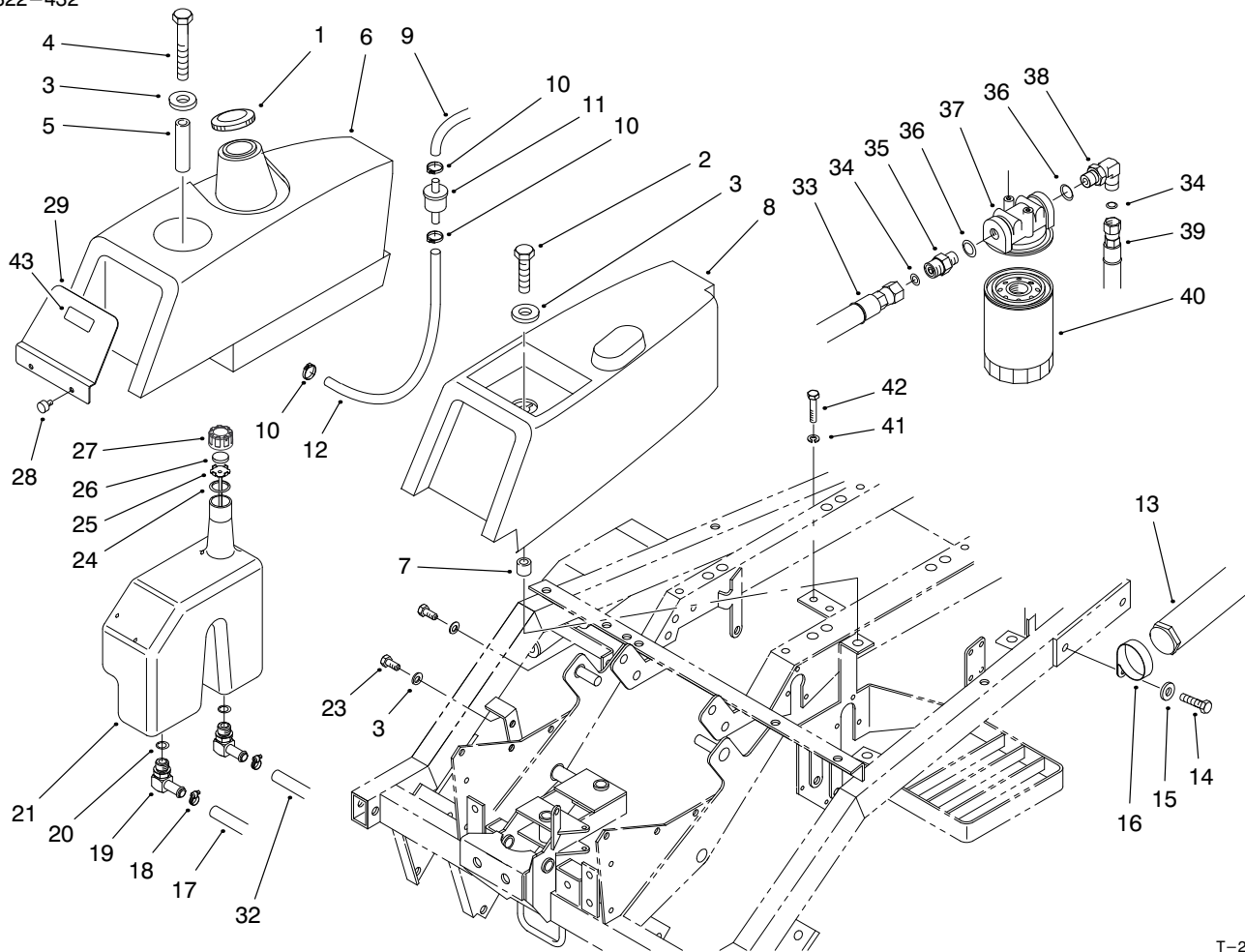
VALVE ASSEMBLY NO. 43-1710

Ref. No.	Part No.	Description	No. Used
1	22-8330	Plug	2
2	237-42	O-Ring	2
3	22-8340	Spring	2
4	22-8350	Ball	2
5	22-8370	Seat - Check Valve	2
6	22-8360	Pin - Cam	2
†7		Body	1
8	22-8420	Spool	1

Ref. No.	Part No.	Description	No. Used
9	22-8500	O-Ring	2
10	22-8380	Retainer - Spring	2
11	22-8410	Spring	1
12	22-8390	Spring Retainer	1
13	22-8400	Spacer Float	1
14	22-8480	Ring - Spool Retaining	1
15	22-8490	Ring - Retaining	1

†Not Serviceable Separately

3322-432



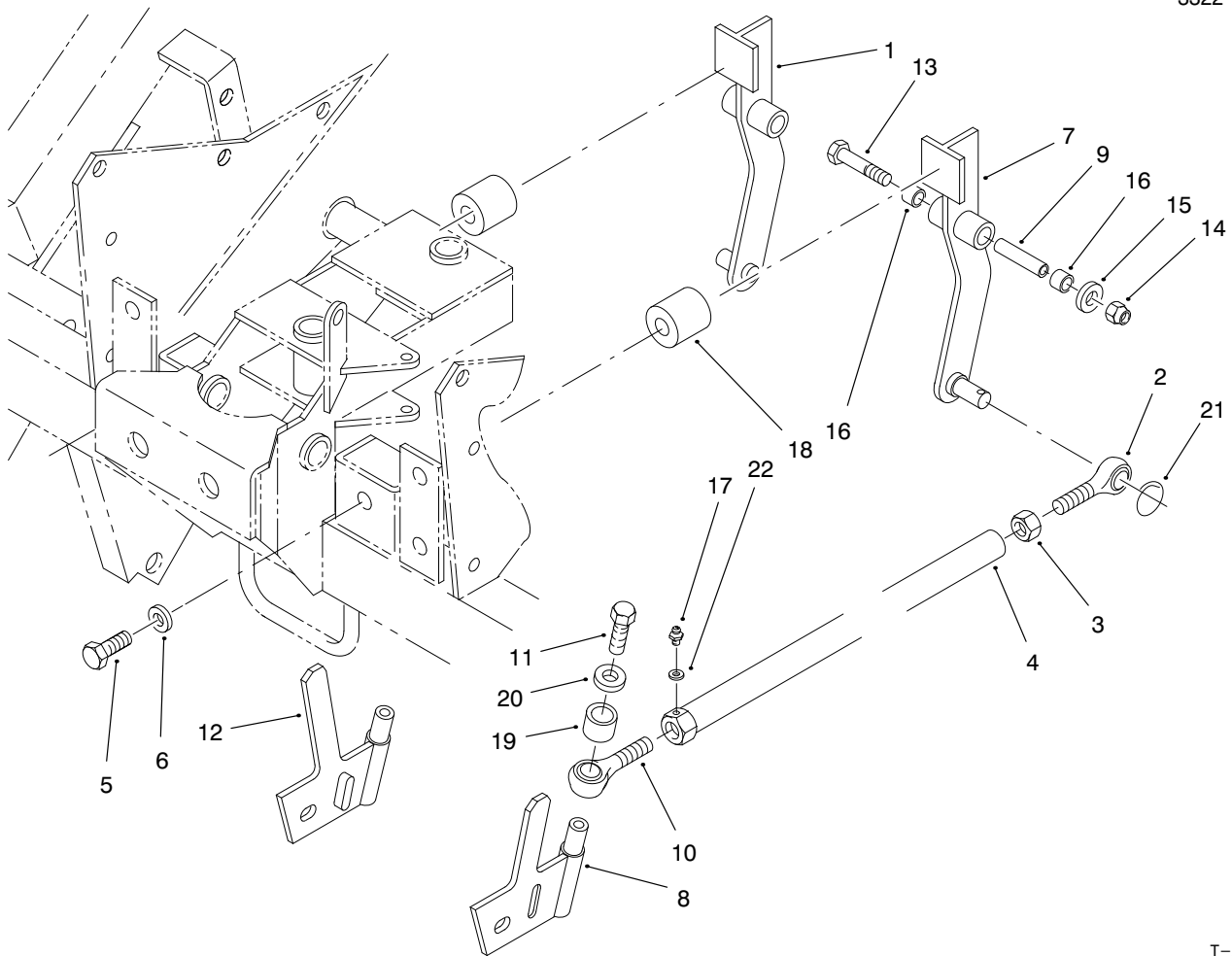
T-2980-2

FUEL TANK & HYDRAULIC RESERVOIR ASSEMBLY

Ref. No.	Part No.	Description	No. Used
1	93-7170	Cap-Fuel	1
2	33114-035	Screw	1
3	98-5837	Washer	2
4	33114-100	Screw	1
5	98-5648	Spacer	1
6	98-5396	Tank-Fuel	1
7	98-5647	Spacer	1
8	98-5983	Cover	1
9	66-3170	Hose-Fuel	1
10	2412-36	Clamp-Hose	3
11	38-8000	Filter-Fuel	1
12	94-6279	Hose-Fuel	1
13	74-0720	Tube-Manual	1
14	33114-020	Screw-HH	2
15	33094-00	Washer-Flat	2
16	2412-133	R-Clamp	2
17	98-5342	Hose	1
18	2412-129	Clamp-Hose	2
19	98-2876	Fitting-Hydraulic (Incl. Ref. #20)	2
20	237-80	O-Ring	2
21	98-0781	Reservoir-Hydraulic	1
23	322-3	Screw	2

Ref. No.	Part No.	Description	No. Used
24	237-71	O-Ring	1
25	76-0240	Dipstick Assembly	1
26	76-0220	Foam-Filter	1
27	76-0190	Cap-Oil	1
28	75-6840	Knob-Knurled	2
29	98-5994	Plate	1
32	98-5341	Hose	1
33	76-8210	Hose Assembly	1
34	237-22	O-Ring	2
35	340-3	Fitting-Hydraulic (Incl. Ref. #34 & 36)	1
36	237-79	O-Ring	2
37	54-0100	Head-Filter	1
38	340-18	Fitting-Hydraulic (Incl. Ref. #34 & 36)	1
39	76-6880	Hose Assembly	1
40	54-0110	Element-Oil Filter	1
41	3253-3	Washer-Lock	2
42	321-3	Screw-HH	2
43	93-6686	Decal-Hydraulic Oil	1
*	76-0200	Oil Cap Assembly (Incl. Ref. #24-27)	1

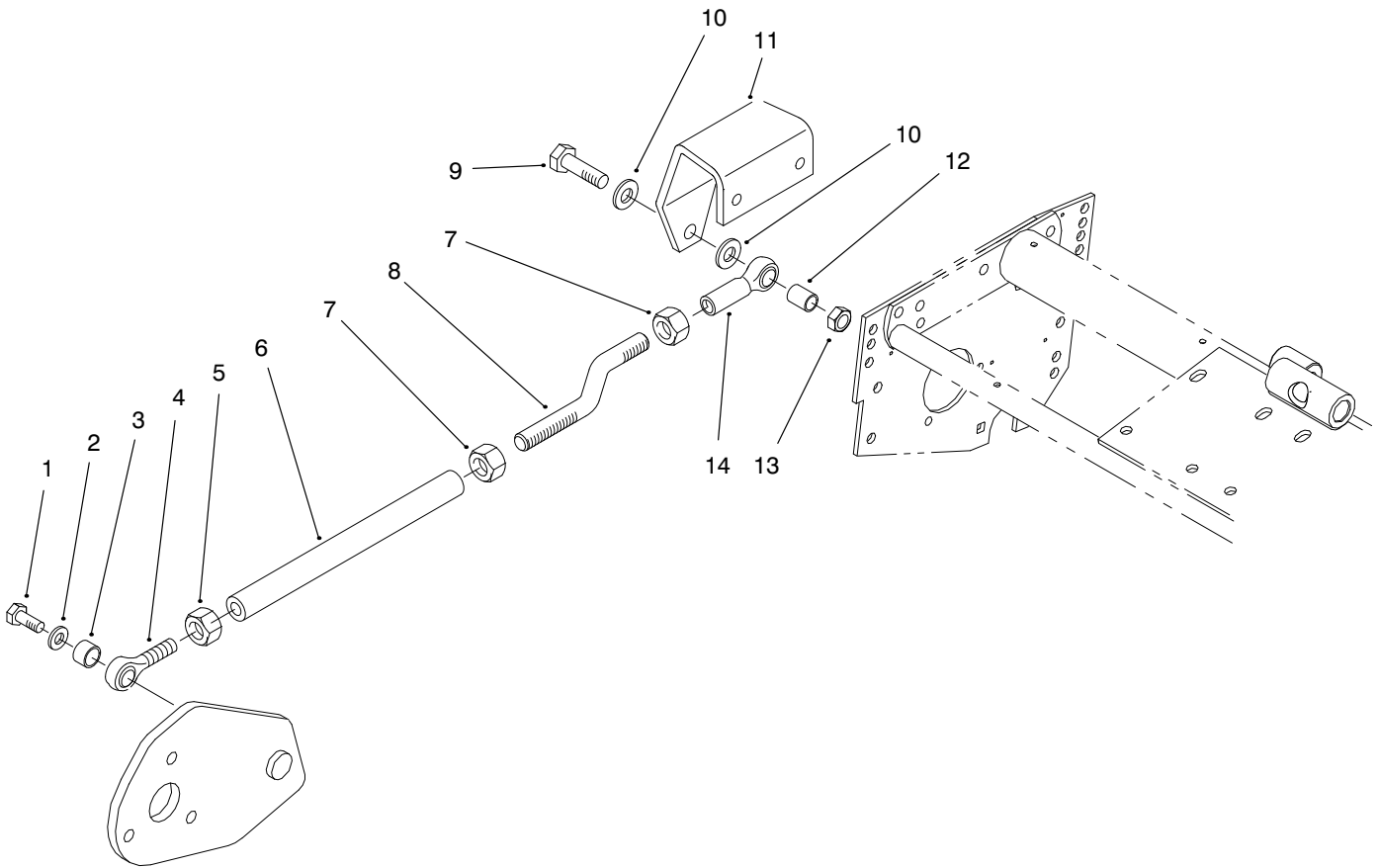
*Not Illustrated



T-2944-1

FRONT SUSPENSION (Fixed Cutting Unit Model 02100)

Ref. No.	Part No.	Description	No. Used	Ref. No.	Part No.	Description	No. Used
1	98-5454	Tension Arm	1	12	98-5780	Mount-Tension, RH	1
2	98-5833	Rod End-RH	2	13	33114-080	Screw	2
3	33018-00	Nut-RH	2	14	33024-00	Nut-Lock	2
4	98-5783	Rod	2	15	33094-00	Washer	2
5	33114-016	Screw	2	16	98-5444	Bushing	4
6	42-9850	Washer-Lock	2	17	302-5	Fitting-Grease	2
7	98-5455	Tension Arm	1	18	98-5523	Stop-Rubber	2
8	98-5776	Mount-Tension, LH	1	19	98-5779	Spacer	2
9	98-5457	Spacer	2	20	3256-82	Washer	2
10	98-5834	Rod End-LH	2	21	98-5450	Ring	2
11	33114-016	Screw	2	22	33093-00	Washer-Flat	2

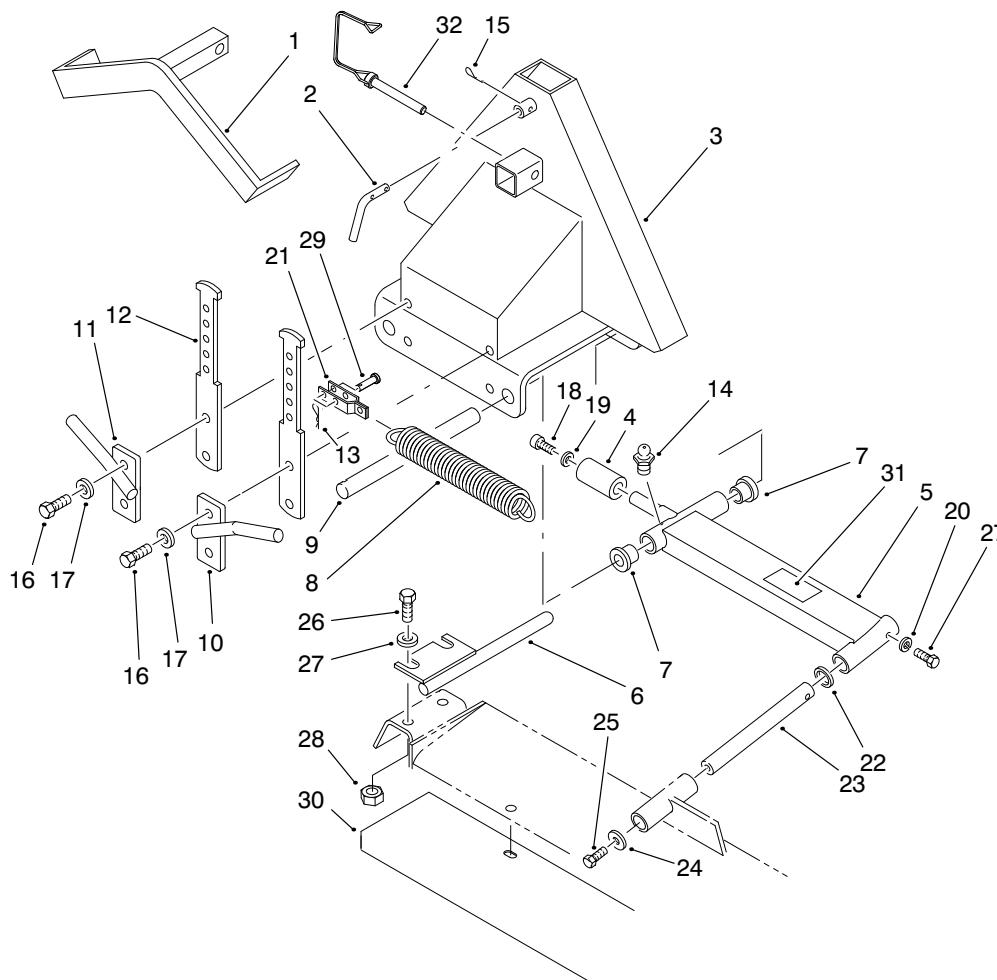


T-3032-1

CENTER SUSPENSION (Fixed Cutting Unit Model 02100)

Ref. No.	Part No.	Description	No. Used
1	33114-016	Screw-HH	2
2	94-2869	Washer	2
3	98-5779	Spacer	2
4	98-5834	Rod End-LH	2
5	98-5838	Nut-LH	2
6	98-5807	Rod	2
7	33018-00	Nut-Hex.	4

Ref. No.	Part No.	Description	No. Used
8	98-5787	Rod	2
9	325-7	Screw-HH	2
10	3256-26	Washer-Flat	4
11	61-0900	Bracket-Carrier	2
12	98-5788	Spacer	2
13	3296-45	Nut-Lock	2
14	98-5786	Rod End-RH	2



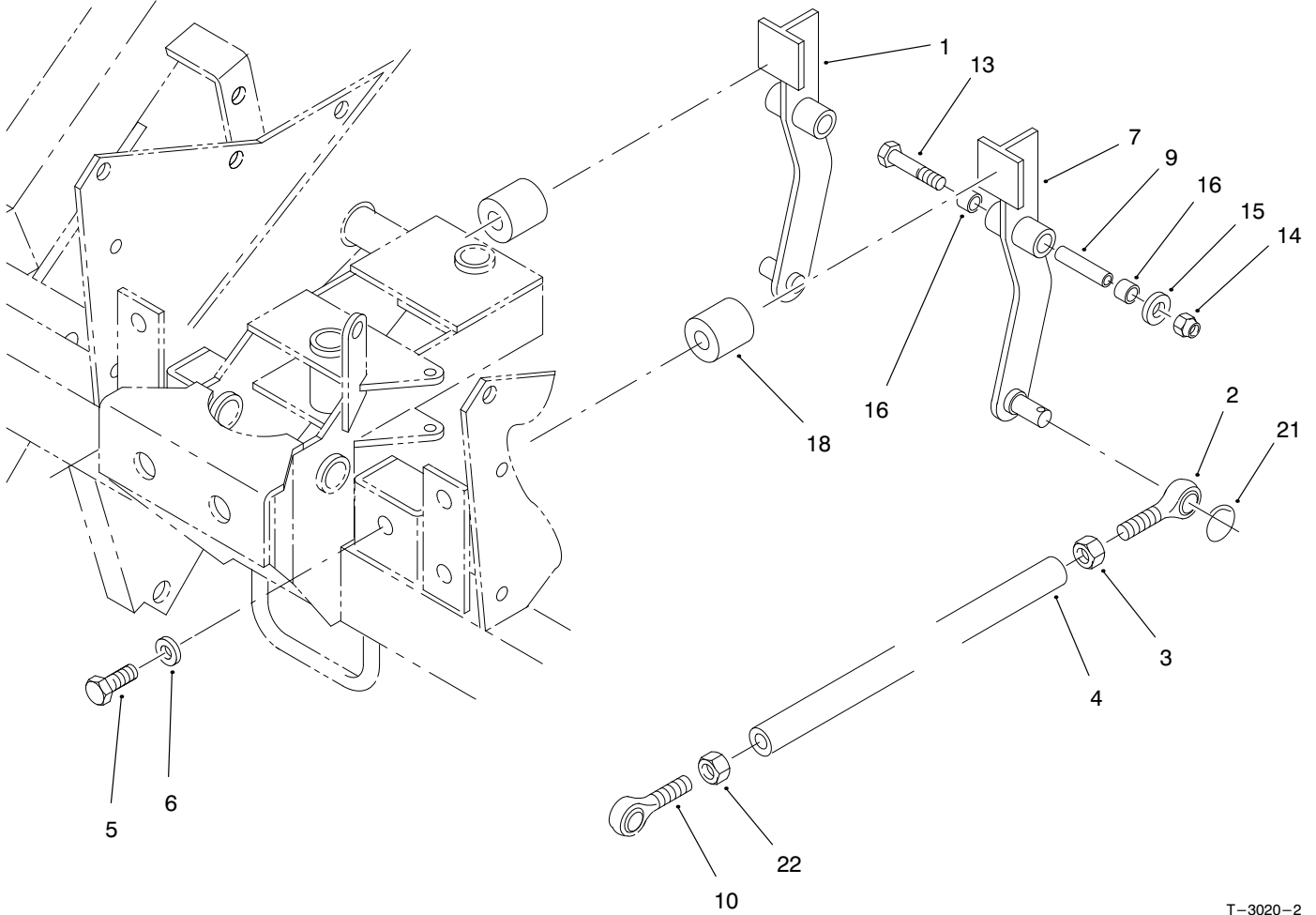
T-2982-2

FRONT LIFT (Fixed Cutting Unit Model 02100)

Ref. No.	Part No.	Description	No. Used
1	98-5793	Latch-Transport	1
2	98-5771	Pin-Lock	1
3	98-5762	A-Frame	1
4	98-5753	Tube	2
5	99-3325	LH Lift Arm Assembly (Incl. Ref. #7, 14, & 31)	1
*	99-3324	RH Lift Arm Assembly (Incl. Ref. #7, 14 & 31)	1
6	98-5789	Guide-Stop, LH	1
*	98-5792	Guide-Stop, RH	1
7	98-5449	Bushing-Flange	4
8	5-0743	Spring	2
9	98-5754	Pin	2
10	98-5775	Plate-Stop, LH	1
11	98-5772	Plate-Stop, RH	1
12	98-1818	Arm-Tension	2
13	3290-467	Cotter-Hairpin	4
14	302-5	Fitting-Grease	2
15	3290-355	Cotter-Hairpin	1

Ref. No.	Part No.	Description	No. Used
16	33115-040	Screw-HH	4
17	48-9590	Washer-Lock	4
18	99-3317	Screw-HSH	2
19	33096-00	Washer-Flat	2
20	3253-4	Washer-Lock	2
21	93-6912	Shackle	2
22	256-115	Washer-Thrust	2
23	92-1815	Rod-Pivot	2
24	3256-6	Washer-Flat	2
25	3234-32	Screw-HHF	2
26	33114-030	Screw-HH	4
27	33094-00	Washer-Flat	4
28	33024-00	Nut-Lock	4
29	283-75	Pin-Clevis	4
30	93-7722	Shield-Front Cutting Unit	2
31	93-6696	Decal-Warning	2
32	98-5848	Pin	1
*	98-5313	Belts-Jackshaft to Cutting Units	3

*Not Illustrated

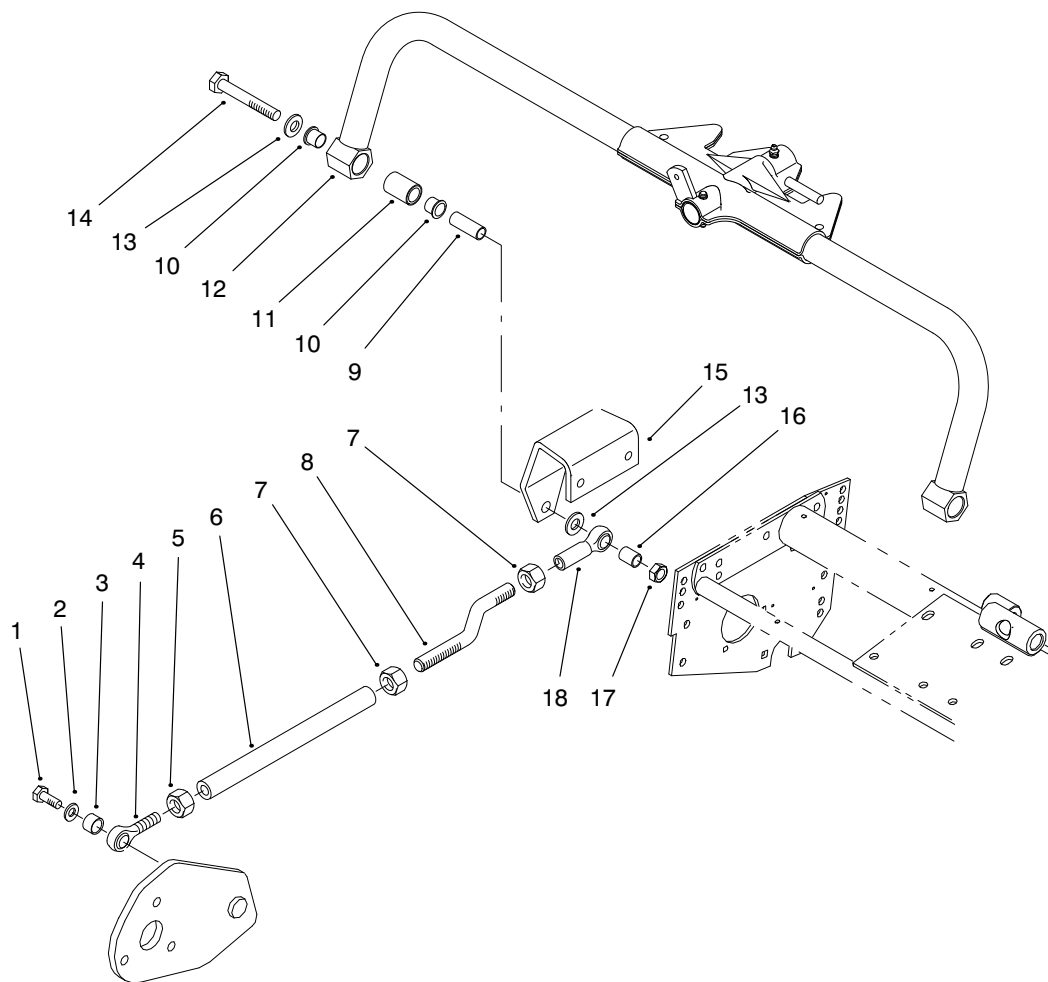


T-3020-2

FRONT SUSPENSION (Floating Cutting Unit Model 02101)

Ref. No.	Part No.	Description	No. Used
1	98-5454	Tension Arm	1
2	98-5833	Rod End-RH	2
3	33018-00	Nut-RH	2
4	98-5810	Rod	2
5	33114-016	Screw	2
6	42-9850	Washer-Lock	2
7	98-5455	Tension Arm	1
9	98-5457	Spacer	2

Ref. No.	Part No.	Description	No. Used
10	98-5834	Rod End-LH	2
13	33114-030	Screw	2
14	33024-00	Nut-Lock	2
15	33094-00	Washer	2
16	98-5444	Bushing	4
18	98-5523	Stop-Rubber	2
21	98-5450	Ring	2
22	98-5838	Nut-LH	2

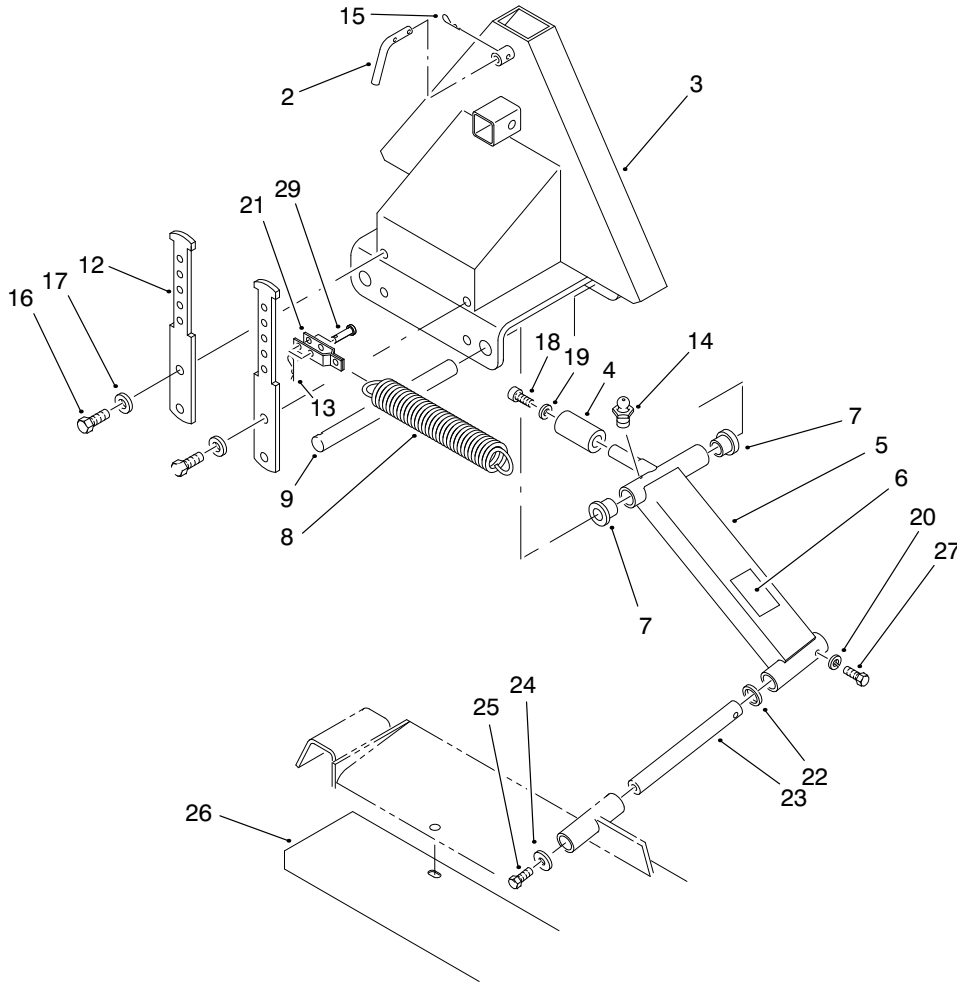


T-3033-2

CENTER SUSPENSION (Floating Cutting Unit Model 02101)

Ref. No.	Part No.	Description	No. Used
1	33114-016	Screw-HH	2
2	94-2869	Washer	2
3	98-5779	Spacer	2
4	98-5834	Rod End-LH	2
5	98-5838	Nut-LH	2
6	98-5807	Rod	2
7	33018-00	Nut-Hex.	4
8	98-5787	Rod	2
9	61-1370	Spacer	2

Ref. No.	Part No.	Description	No. Used
10	256-285	Bushing-Flange	4
11	61-0710	Bushing Assembly	2
12	98-5811	Carrier Frame	1
13	3256-26	Washer-Flat	4
14	325-14	Screw-HH	2
15	61-0900	Bracket-Carrier	2
16	98-5788	Spacer	2
17	3296-45	Nut-Lock	2
18	98-5786	Rod End-RH	2



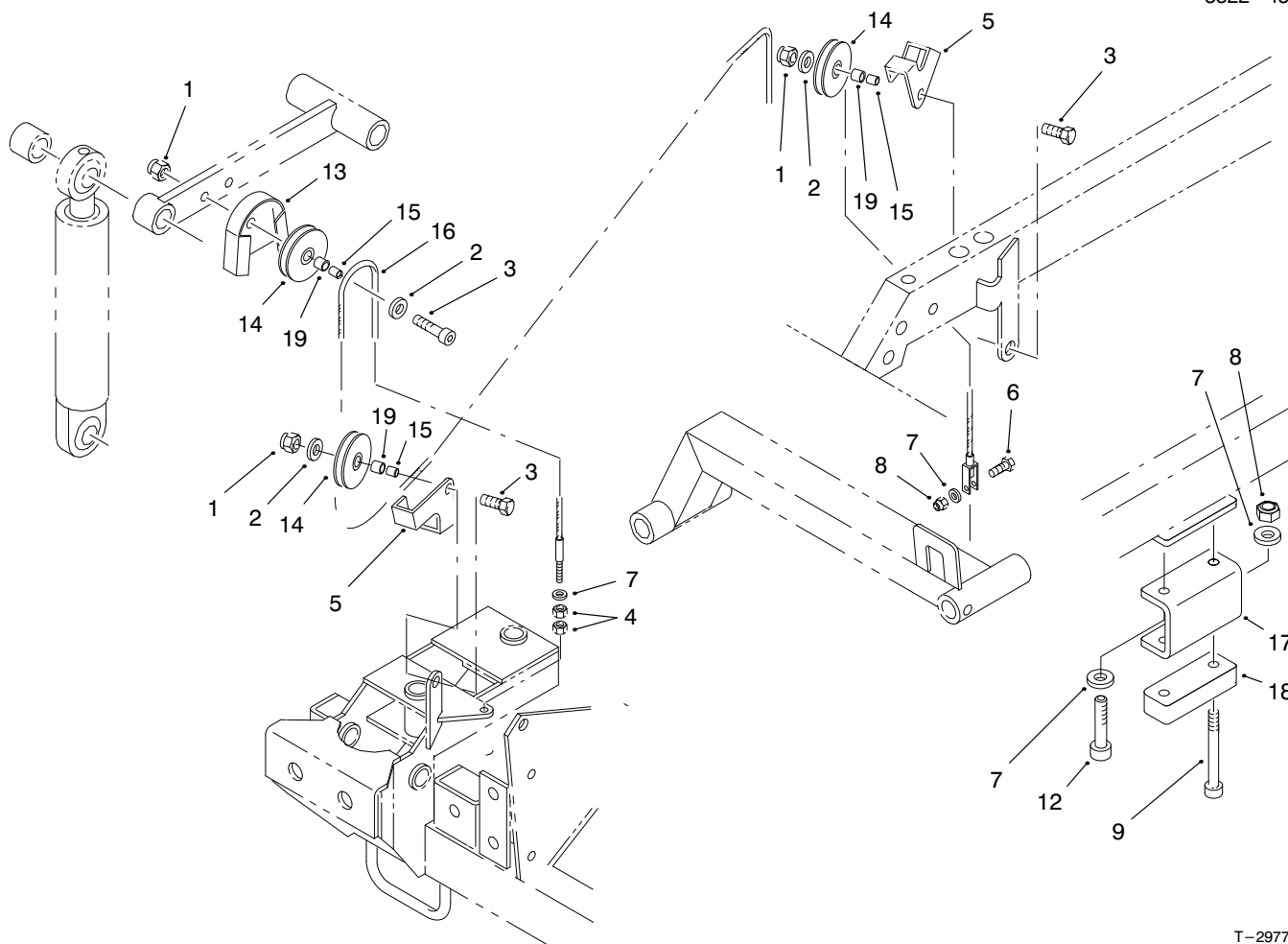
T-2994-1

FRONT LIFT (Floating Cutting Unit Model 02101)

Ref. No.	Part No.	Description	No. Used
2	98-5771	Pin-Lock	1
3	98-5762	A-Frame	1
4	98-5753	Tube	2
5	99-3322	LH Lift Arm Assembly (Incl. Ref. #6, 7 & 14)	1
*	99-3323	RH Lift Arm Assembly (Incl. Ref. #6, 7 & 14)	1
6	93-6696	Decal-Warning	2
7	98-5449	Bushing-Flange	4
8	5-0743	Spring	2
9	98-5754	Pin	2
12	92-1818	Arm-Tension	2
13	3290-467	Cotter-Hairpin	4
14	302-5	Fitting-Grease	2
15	3290-355	Cotter-Hairpin	1

Ref. No.	Part No.	Description	No. Used
16	33115-025	Screw-HH	4
17	48-9590	Washer-Lock	4
18	99-3317	Screw-HSH	2
19	33096-00	Washer-Flat	2
20	3253-4	Washer-Lock	2
21	93-6912	Shackle	2
22	256-115	Washer-Thrust	2
23	92-1815	Rod-Pivot	2
24	3256-6	Washer-Flat	2
25	3234-32	Screw-HHF	2
26	93-7722	Shield-Front Cutting Unit	2
29	283-75	Pin-Clevis	4
*	98-5313	Belts-Jackshaft to Cutting Units	3

*Not Illustrated

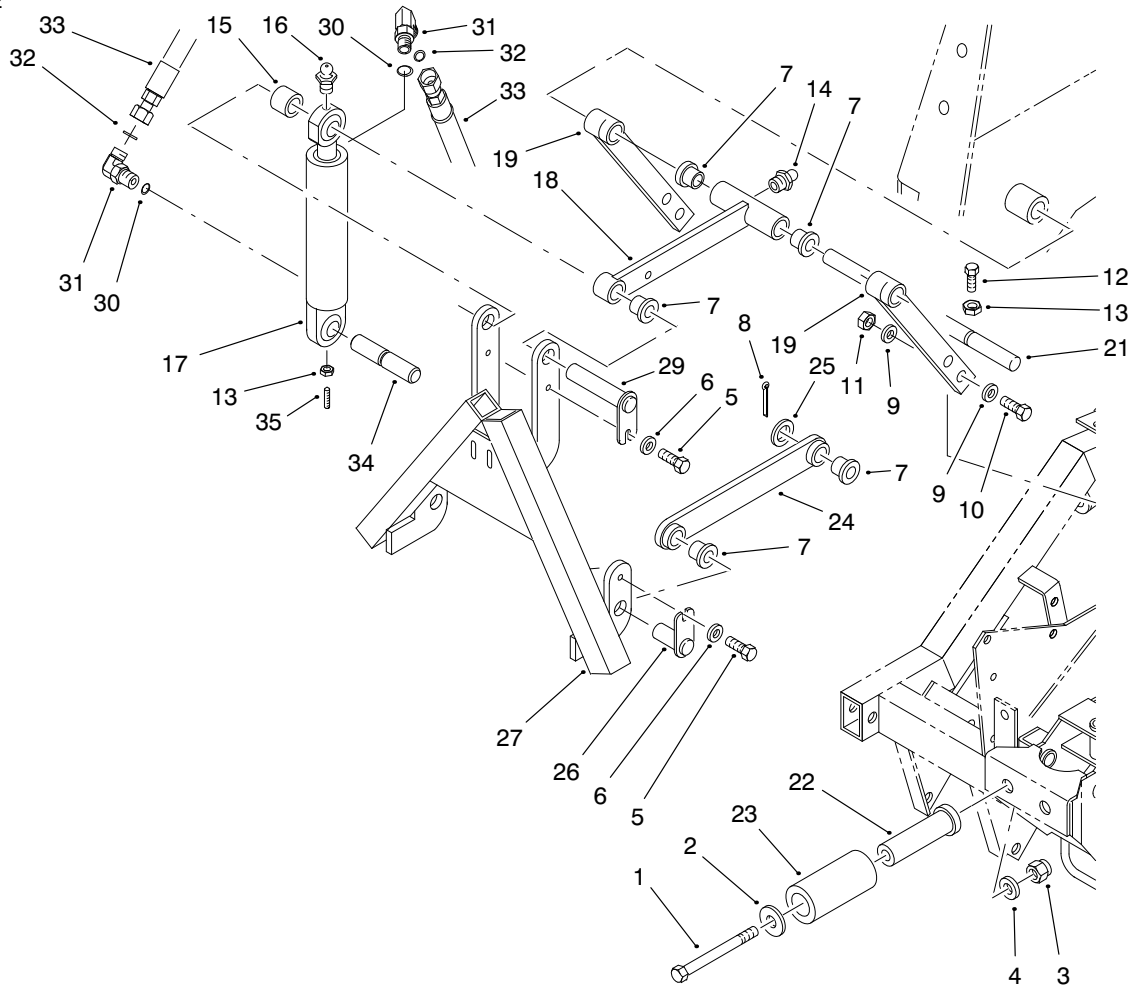


T-2977-1

LIFT CABLE & PULLEYS

Ref. No.	Part No.	Description	No. Used
1	3296-39	Nut-Lock	3
2	3256-4	Washer-Flat	3
3	323-9	Screw-HH	3
4	3219-2	Nut-Hex.	2
5	83-9130	Keeper-Cable	2
6	33114-030	Screw-HH	1
7	33094-00	Washer-Flat (Model 02100 Only)	10
7	33094-00	Washer-Flat	2
8	33024-00	Nut-Lock (Model 02100 Only)	5
8	33024-00	Nut-Lock	1
9	98-5828	Screw-Socket Head	4

Ref. No.	Part No.	Description	No. Used
12	98-5829	Screw-Socket Head (Model 02100 Only)	4
13	98-5506	Keeper-Cable	1
14	61-3210	Cable Pulley Assembly (Incl. Ref. #19)	3
15	61-3230	Spacer	3
16	98-5306	Cable-Lift	1
17	98-5761	Bracket-Spacer (Model 02100 Only)	2
18	98-5760	Stop-Rubber	2
19	256-1	Bushing-Sleeve	3

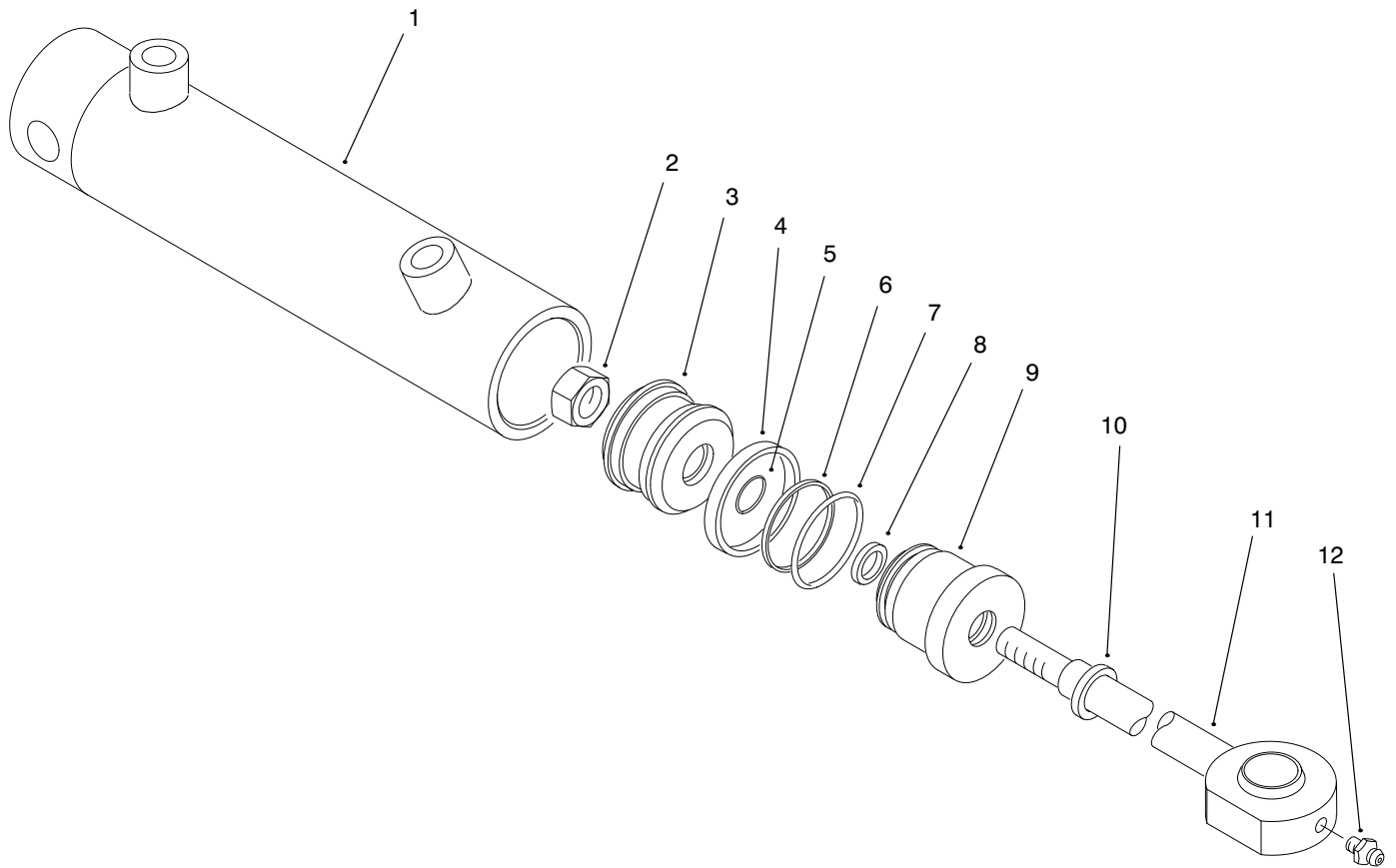


T-2983-2

FRONT LIFT SYSTEM

Ref. No.	Part No.	Description	No. Used
1	33118-160	Screw-HH	2
2	98-3333	Washer-Flat	2
3	33028-00	Nut-Lock	2
4	33098-00	Washer-Flat	2
5	33114-016	Screw-HH	3
6	33094-00	Washer-Flat	3
7	98-5449	Bushing-Flange	7
8	3272-23	Pin-Cotter	2
9	33095-00	Washer-Flat	8
10	33115-030	Screw-HH	4
11	33025-00	Nut-Lock	4
12	33113-016	Screw-HH	1
13	33013-00	Nut-Hex.	2
14	302-5	Fitting-Grease	1
15	98-5465	Spacer	1
16	302-5	Fitting-Grease	1
17	98-5441	Cylinder-Hydraulic (Incl. Ref. #16)	1

Ref. No.	Part No.	Description	No. Used
18	98-5501	Bar-Upper Side	1
19	98-5634	Support	2
21	98-5499	Pin	1
22	98-5490	Stud-Pivot	2
23	98-5502	Roller	2
24	98-5504	Side Bar Assembly	2
25	86-1480	Washer	2
26	98-5494	Pin-Pivot	2
27	98-5496	A-Frame	1
29	98-5493	Pin-Pivot	1
30	237-78	O-Ring	2
31	340-132	Fitting-Hydraulic (Incl. Ref. #30 & 32)	2
32	237-21	O-Ring	2
33	98-5343	Hose Assembly	2
34	98-5458	Pin	1
35	100-0005	Screw-Set	1



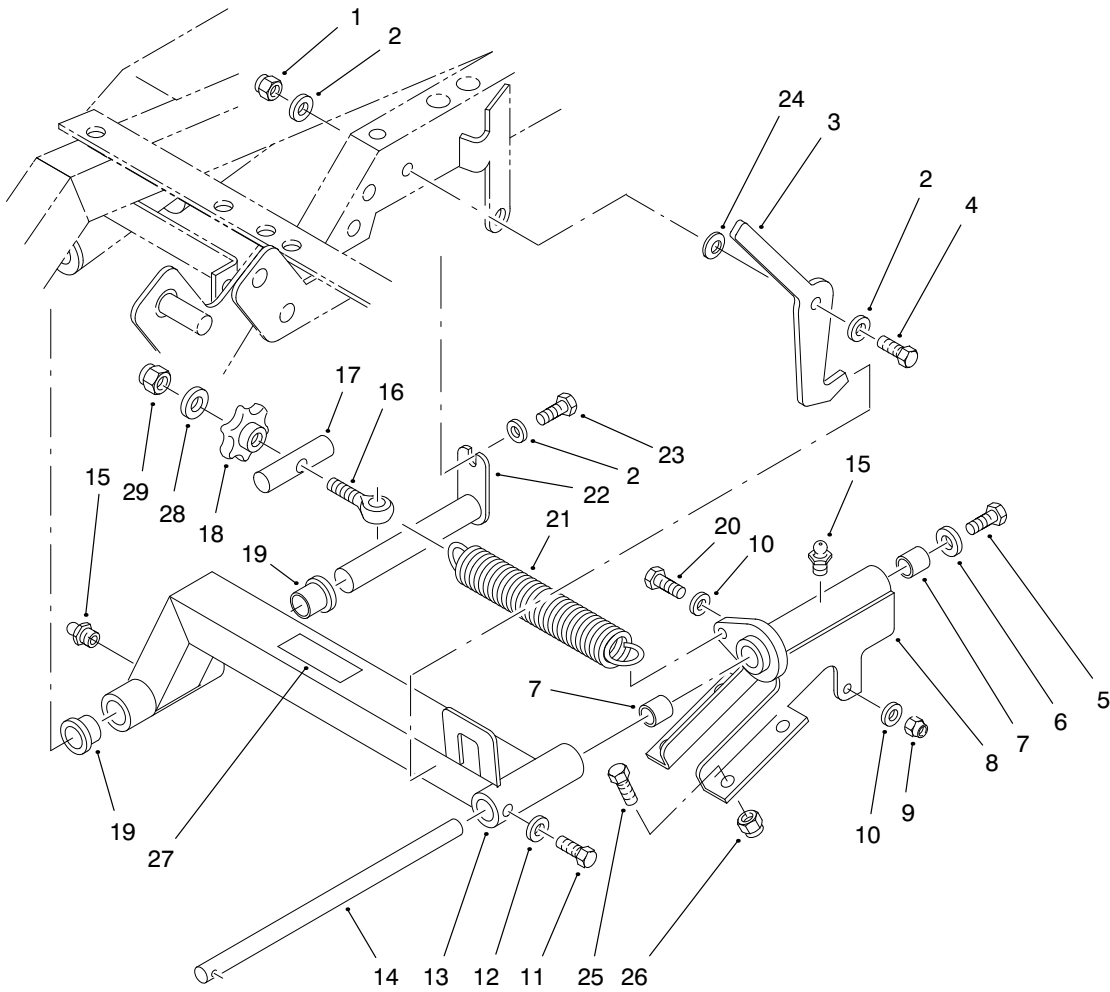
T-3050-1

HYDRAULIC CYLINDER NO. 98-5441

Ref. No.	Part No.	Description	No. Used
1	99-3300	Barrel	1
2	99-3304	Nut-Lock	1
3	99-3303	Piston	1
4	99-3310	Seal Assembly-Piston	A/R
5	99-3309	Seal-O-Ring	1
6	99-3308	Seal-O-Ring	1
7	99-3306	Seal-O-Ring	1

Ref. No.	Part No.	Description	No. Used
8	99-3307	Seal-Rod	1
9	99-3302	Head	1
10	99-3305	Ring-Wiper	1
11	99-3301	Rod	1
12	302-5	Fitting-Grease	1
*	99-3311	Kit-Seal Repair	A/R

*Not Illustrated



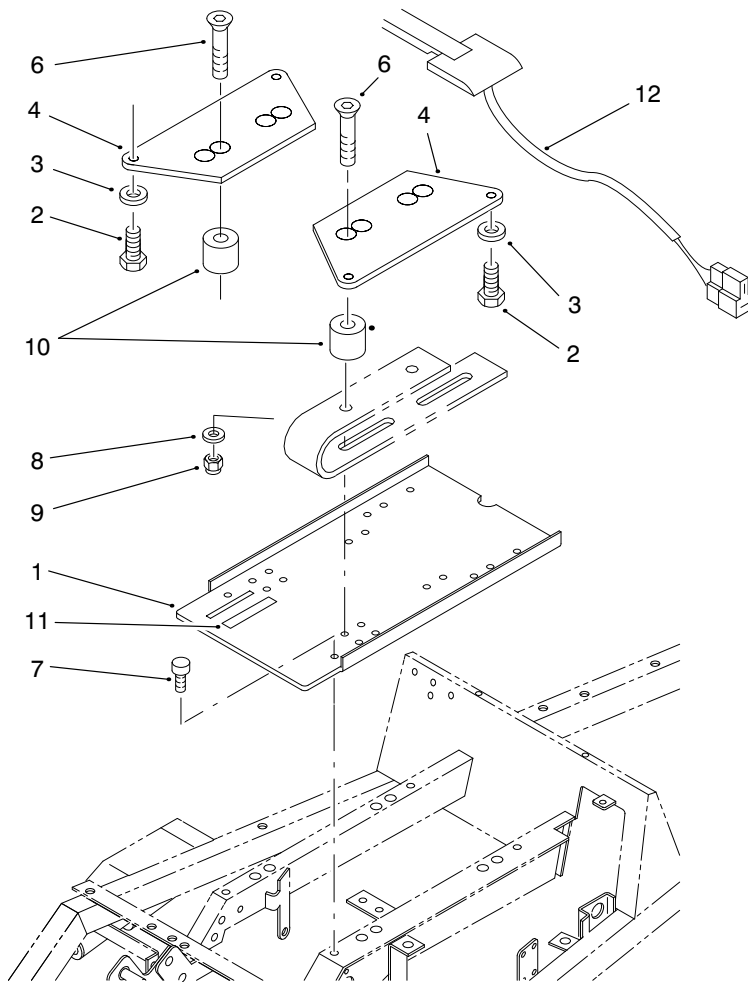
T-3019-1

CENTER LIFT (Fixed & Floating Cutting Units Models 02100 & 02101)

Ref. No.	Part No.	Description	No. Used
1	33024-00	Nut-Lock	1
2	33094-00	Washer-Flat	3
3	98-5524	Latch-Center	1
4	33114-025	Screw-HH	1
5	3234-32	Screw	1
6	3256-6	Washer	1
7	3-0348	Bushing	2
†8	98-5755	Mount-Cutting Unit	1
9	3296-39	Nut-Lock	1
10	3256-24	Washer-Flat	2
11	322-4	Screw	1
12	3253-4	Washer-Lock	1
13	99-3326	Center Lift Arm Assembly (Incl. Ref. #15, 19 & 27)	1
14	98-5338	Rod-Pivot	1

Ref. No.	Part No.	Description	No. Used
15	302-5	Fitting-Grease	2
16	98-5844	Screw-Eye	1
17	98-5517	Mount-Spring	1
18	98-5519	Knob	1
19	98-5449	Bushing-Flange	2
20	323-12	Screw	1
21	5-0743	Spring-Extension	1
22	98-5514	Shaft-Lift Pivot	1
23	33114-016	Screw-HH	1
24	42-9850	Washer-Spring	1
25	323-6	Screw-HH	2
26	3296-39	Nut-Lock	2
27	93-6696	Decal-Warning	1
28	33095-00	Washer	1
29	33015-00	Nut-Hex.	1

†Fixed Cutting Unit Only

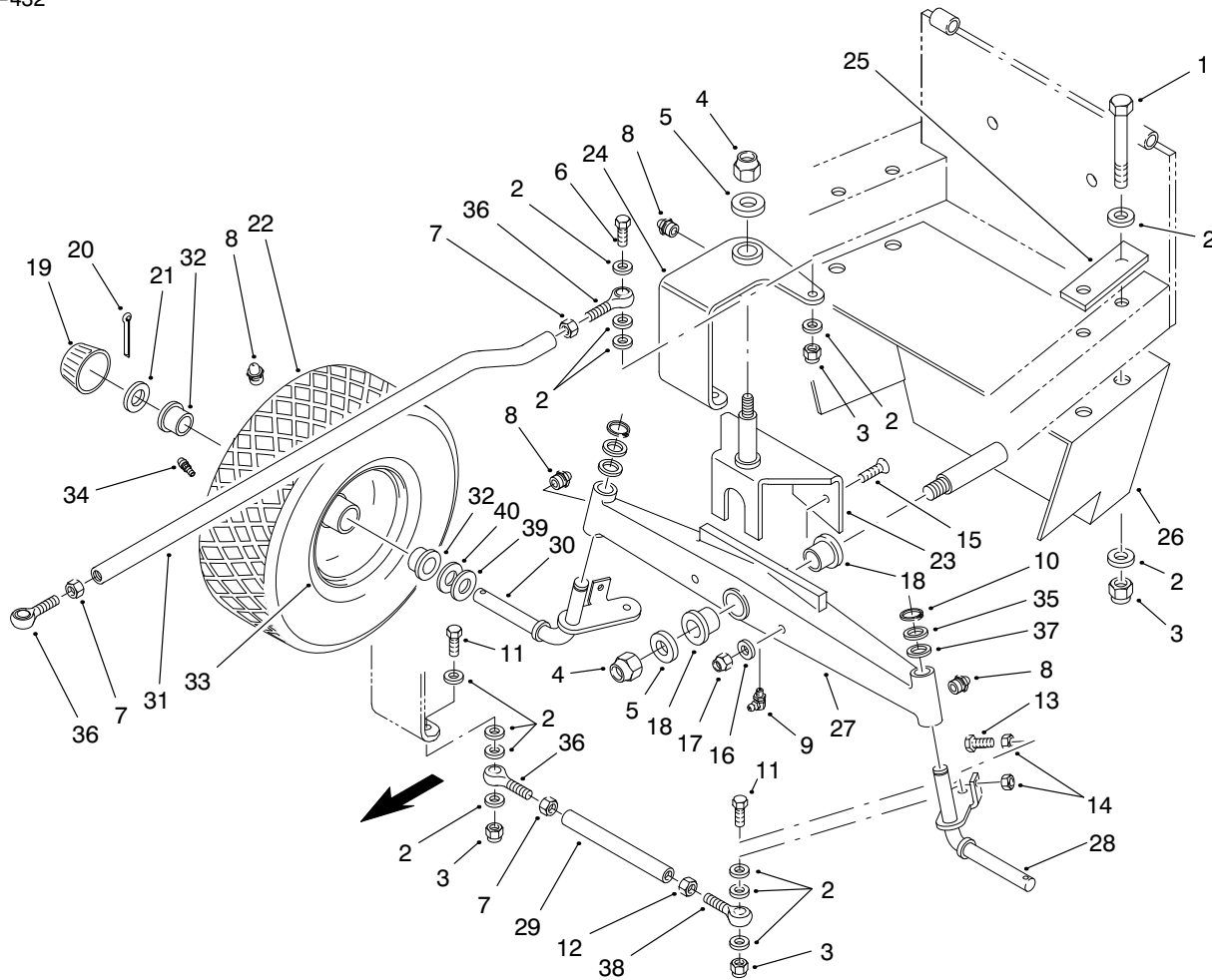


T-2945-2

SEAT MOUNTING ASSEMBLY

Ref. No.	Part No.	Description	No. Used
1	98-5645	Plate-Seat	1
2	322-11	Screw	4
3	3253-4	Washer-Lock	4
4	98-5469	Mount-Seat	2
6	33114-060	Screw	4
7	75-6840	Knob-Knurled	4

Ref. No.	Part No.	Description	No. Used
8	33094-00	Washer	4
9	33024-00	Nut-Lock	4
10	98-5487	Spacer	4
11	93-9077	Decal-Latch	1
12	38-1420	Switch-Seat	1



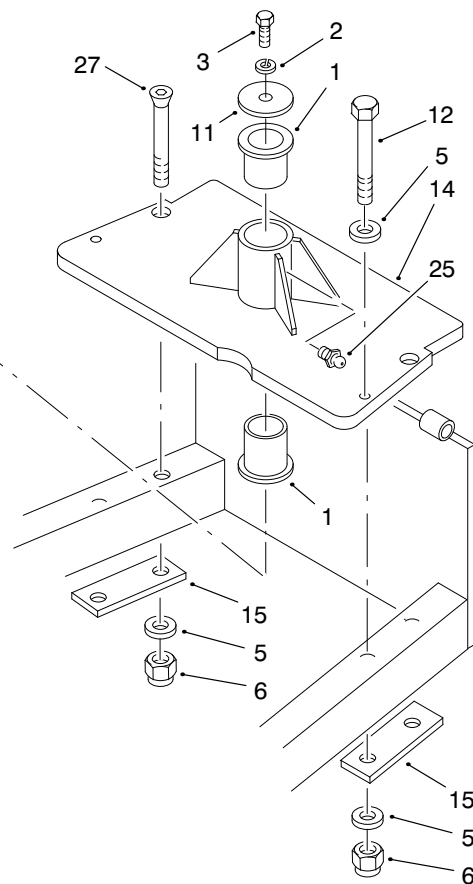
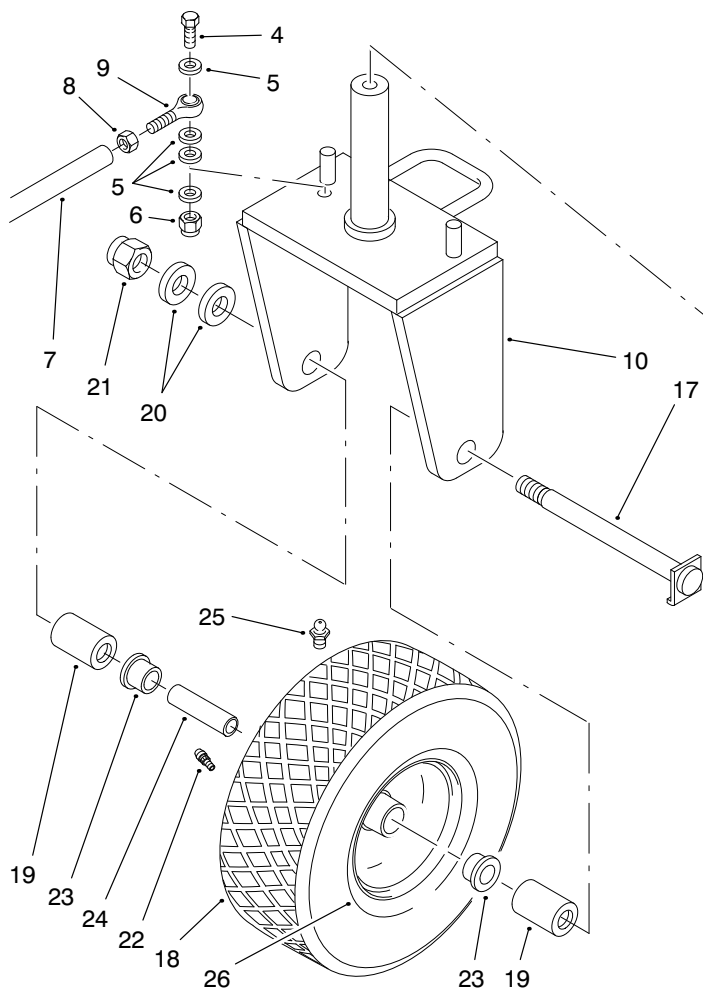
T-2972-2

REAR TWO WHEEL AXLE (Model No. 02001)

Ref. No.	Part No.	Description	No. Used
1	33115-090	Screw	4
2	33095-00	Washer	26
3	33025-00	Nut	9
4	33028-00	Nut	2
5	33098-00	Washer	2
6	33115-045	Screw	1
7	33015-00	Nut	4
8	302-5	Fitting-Grease	5
9	1481	Fitting-Grease	1
10	32120-93	Ring-Retaining	2
11	33115-040	Screw	4
12	98-5830	Nut-LH	2
13	33114-040	Screw	2
14	33014-00	Nut	4
15	99-3313	Screw-Countersunk	2
16	33094-00	Washer	2
17	33024-00	Nut	2
18	98-5449	Bushing-Flange	2
19	111951	Hubcap	2
20	3272-17	Pin-Cotter	2
21	111952	Washer-Wheel	2

Ref. No.	Part No.	Description	No. Used
22	117127	Tire-16 x 6.5-8	2
23	98-5563	Mount-Pivot Plate	1
24	98-5562	Plate-Pivot	1
25	98-5542	Bar-Flat	2
26	98-5558	Mount-Axle	1
27	98-5332	Axle-Rear	1
28	98-5546	Spindle-Rear Axle, LH	1
29	98-5551	Rod-Steering	2
30	98-5547	Spindle-Rear Axle, RH	1
31	98-5463	Tie Rod	1
32	110513	Bearing-Ball	4
33	98-5317	Rim-Wheel	2
34	5108	Valve-Tire	2
35	1278	Washer-Shim	2
36	98-5442	Ball Joint-RH	4
37	5210	Washer-Shim	4
38	98-5443	Ball Joint-LH	2
39	1278	Shim	A/R
40	5210	Shim	A/R
*	98-5318	Rear Wheel Assembly (Incl. Ref. #22 & 32-34)	2

*Not Illustrated

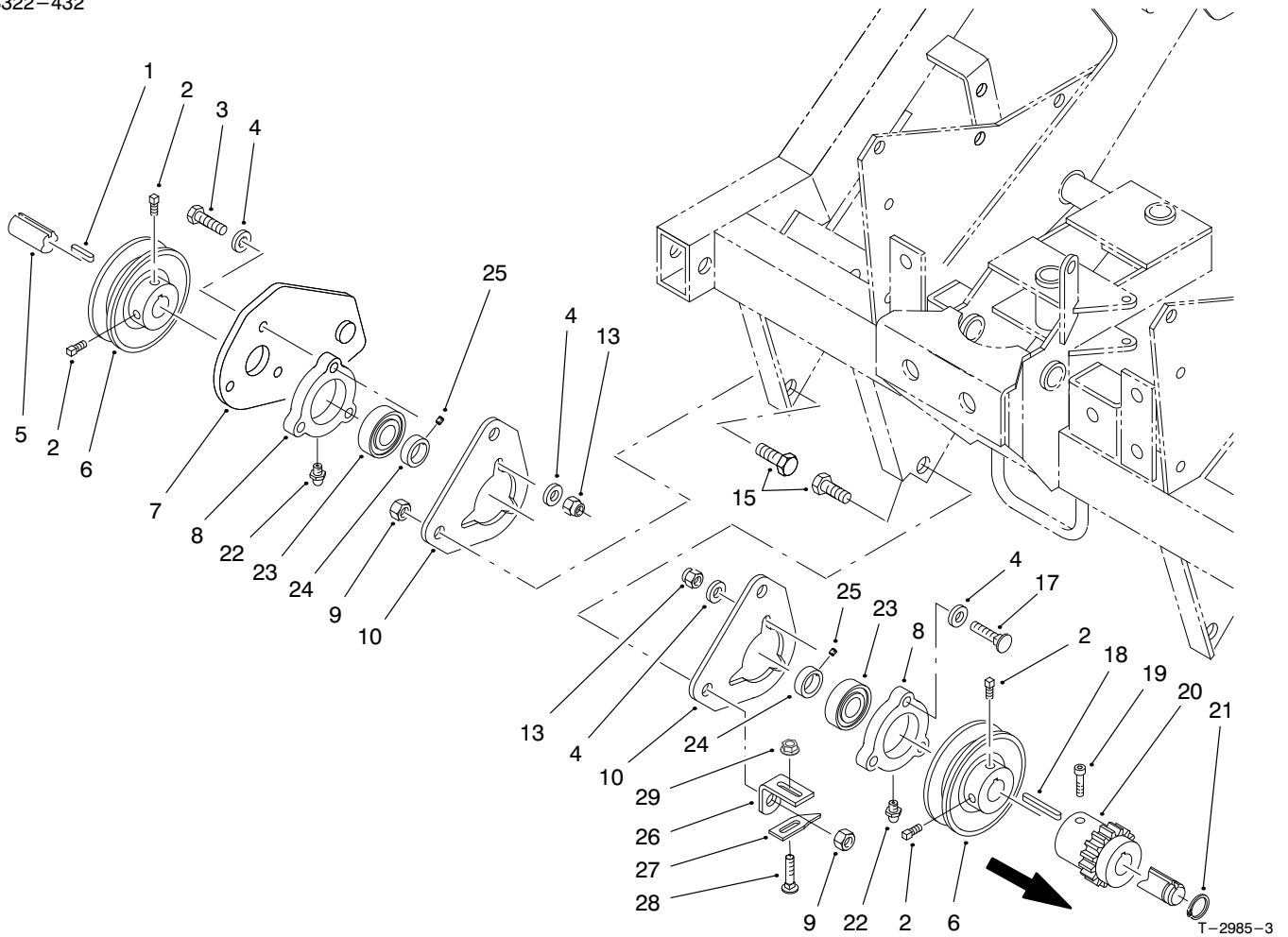


T-2974-2

SINGLE REAR WHEEL ASSEMBLY (Model No. 02002)

Ref. No.	Part No.	Description	No. Used
1	98-5832	Bushing-Flange	2
2	48-9590	Washer-Spring	1
3	33115-025	Screw-HH	1
4	33115-050	Screw-HH	1
5	33095-00	Washer-Flat	10
6	33025-00	Nut-Lock	5
7	98-5463	Rod	1
8	33015-00	Nut	1
9	98-5442	Rod End	1
10	98-5545	Fork-Castor	1
11	98-5534	Washer	1
12	33115-100	Bolt	2
14	98-5540	Mount-Fork	1

Ref. No.	Part No.	Description	No. Used
15	98-5542	Bar-Flat	2
17	61-1960	Axle-Wheel	1
18	93-0166	Tire-18 x 6.5-8	1
19	68-4210	Spacer	2
20	3256-28	Washer-Flat	2
21	3296-57	Nut-Lock	1
22	232-47	Valve Stem	1
23	251-321	Bearing-Ball	2
24	241-130	Spacer-Bearing	1
25	302-5	Fitting-Grease	2
26	241-129	Rim-Wheel	1
27	98-5544	Bolt-Countersunk	2

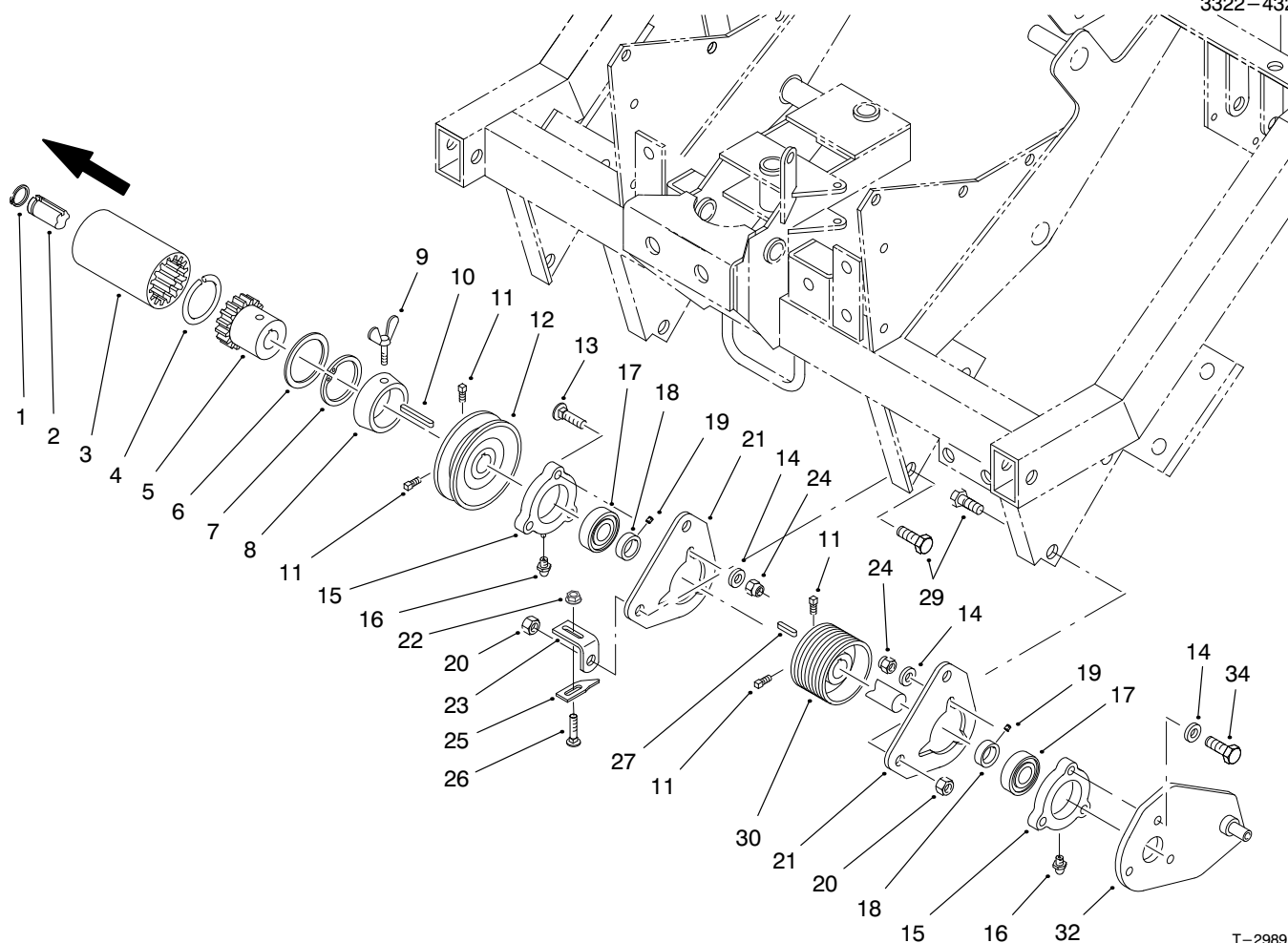


T-2985-3

COUNTER SHAFT ASSEMBLY

Ref. No.	Part No.	Description	No. Used
1	5-7280	Key-Square	1
2	3246-4	Screw-Set	4
3	33114-040	Screw	3
4	33094-00	Washer-Flat	12
5	98-5339	Shaft-Front	1
6	61-0140	Pulley	2
7	98-5568	Mount-Tie Rod, RH	1
8	76-2460	Bearing Assembly (Incl. Ref. #22-25)	2
9	3296-23	Nut-Flange Lock	4
10	61-2350	Mount-Bearing	2
13	33024-00	Nut-Lock	6
15	3234-32	Screw-HH	4

Ref. No.	Part No.	Description	No. Used
17	33124-035	Screw-Carriage	3
18	98-5567	Key-Square	1
19	98-5831	Screw-Set	1
20	98-5566	Hub-RH	1
21	32120-14	Ring-Retaining	1
22	302-5	Fitting-Grease	2
23	94-3405	Bearing-Ball	2
24	251-77	Collar-Locking	2
25	3245-35	Screw-Set	2
26	76-2440	Support-Debris Pulley	1
27	76-2430	Bracket-Debris Pulley	1
28	3229-11	Bolt-Carriage	1
29	32128-10	Nut-Lock HHF	1



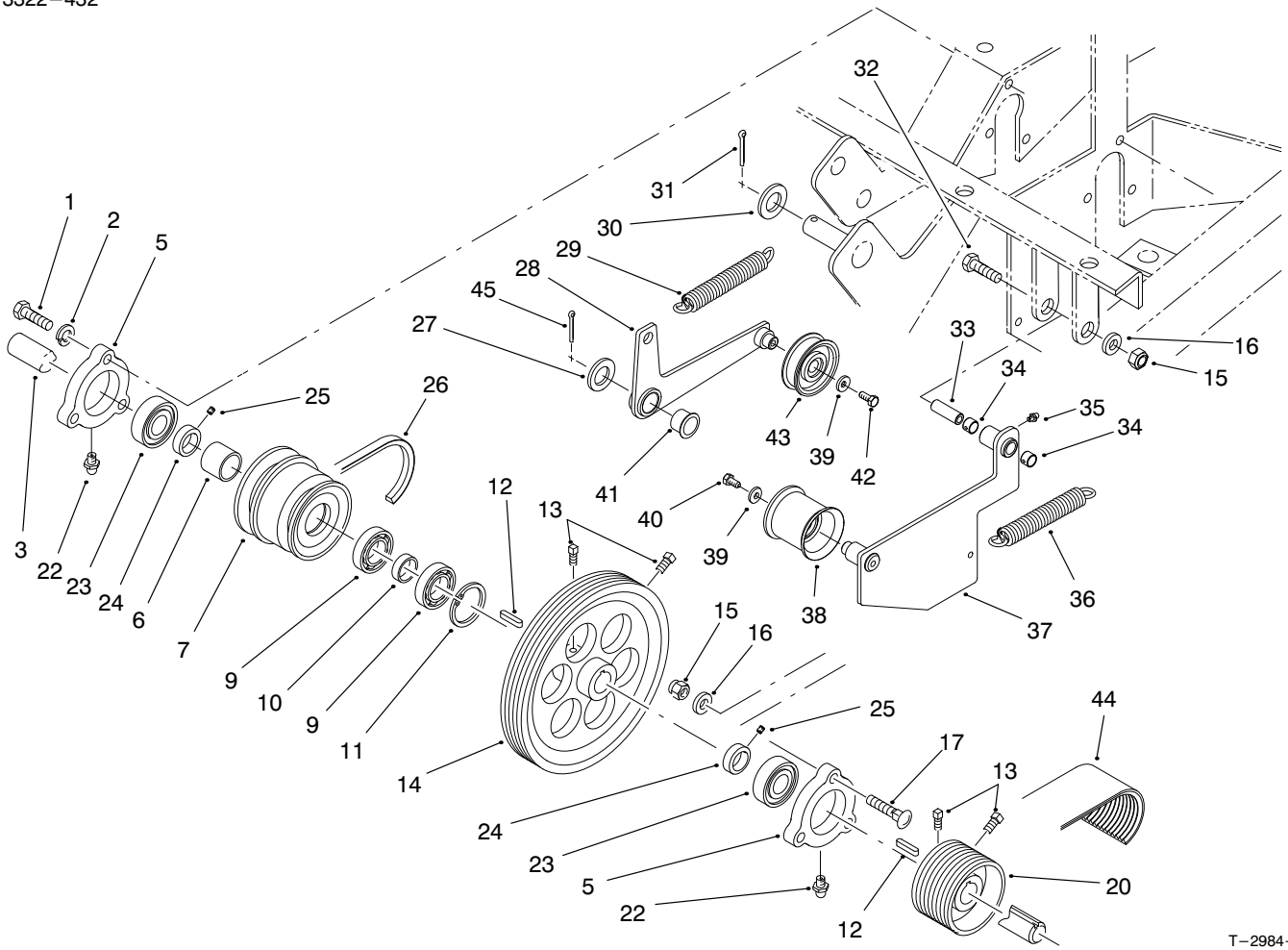
T-2989-3

COUNTER SHAFT ASSEMBLY (Continued)

Ref. No.	Part No.	Description	No. Used	Ref. No.	Part No.	Description	No. Used
1	32120-14	Ring-Retaining	1	17	94-3405	Bearing-Ball	2
2	98-5339	Shaft-Front	1	18	251-77	Collar-Locking	2
3	98-5594	Coupler	1	19	3245-35	Screw-Set	2
†4		Ring-Retaining	1	20	3296-23	Nut-Lock NI	4
5	98-5593	Hub-Left (Incl. Ref. #8)	1	21	61-2350	Mount-Bearing	2
†6		Washer	1	22	32128-10	Nut-Lock HHF	1
†7		Ring-Retaining	1	23	76-2440	Support-Debris Pulley	1
†8		Cover-Dust	1	24	33024-00	Nut-Lock	6
9	98-5595	Screw-Wing	1	25	76-2430	Bracket-Debris Pulley	1
10	98-5567	Key-Square	1	26	3229-11	Bolt-Carriage	1
11	3246-4	Screw-Set	4	27	98-5597	Key-Square	1
12	61-0140	Pulley	1	29	3234-32	Screw-HH	4
13	33124-035	Screw-Carriage	3	30	98-5598	Pulley	1
14	33094-00	Washer	9	32	98-5596	Mount-Tie Rod, LH	1
15	76-2460	Bearing Assembly (Incl. Ref. #16-19)	2	34	33114-040	Screw-HH	3
16	302-5	Fitting-Grease	2	*	98-5592	Coupler Assembly (Incl. Ref. #3-8)	1

*Not Illustrated

†Not Serviceable Separately

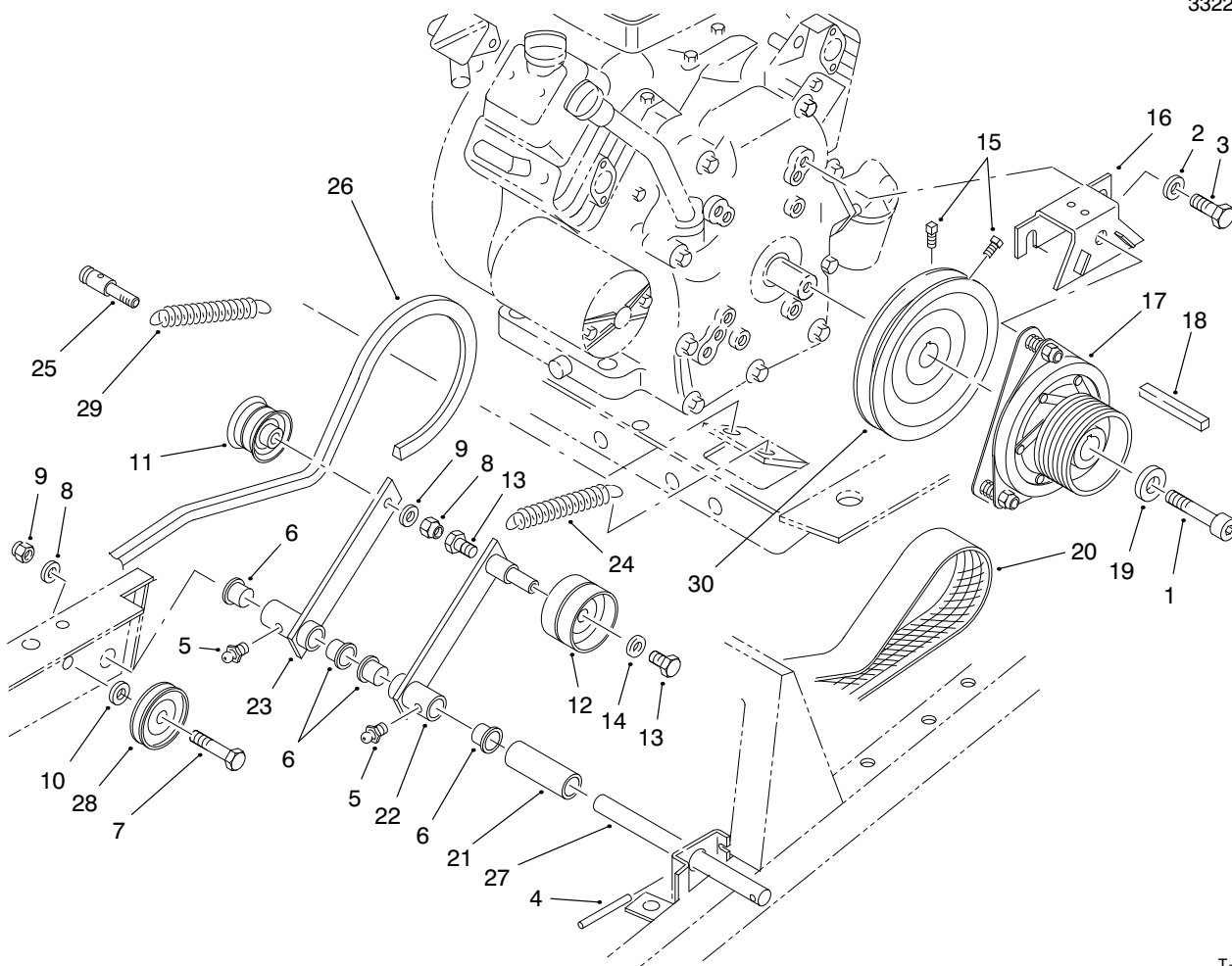


T-2984-2

UPPER SHAFT ASSEMBLY

Ref. No.	Part No.	Description	No. Used
1	33114-030	Screw-HH	3
2	68-9420	Washer-Lock	3
3	98-5340	Shaft-Upper	1
5	76-2460	Bearing Assembly (Incl. Ref. #22-25)	2
6	98-5601	Spacer	1
7	98-5602	Pulley-Double	1
9	98-5335	Bearing	2
10	98-5600	Spacer	1
11	32120-65	Ring-Retaining	1
12	98-5603	Key-Square	2
13	3246-4	Screw-Set	4
14	98-5351	Pulley	1
15	33024-00	Nut	4
16	33094-00	Washer-Flat	4
17	33124-035	Screw-Carriage	3
20	98-5604	Pulley	1
22	302-5	Fitting-Grease	2
23	94-3405	Bearing-Ball	2
24	251-77	Collar-Locking	2
25	3245-35	Screw-Set	2

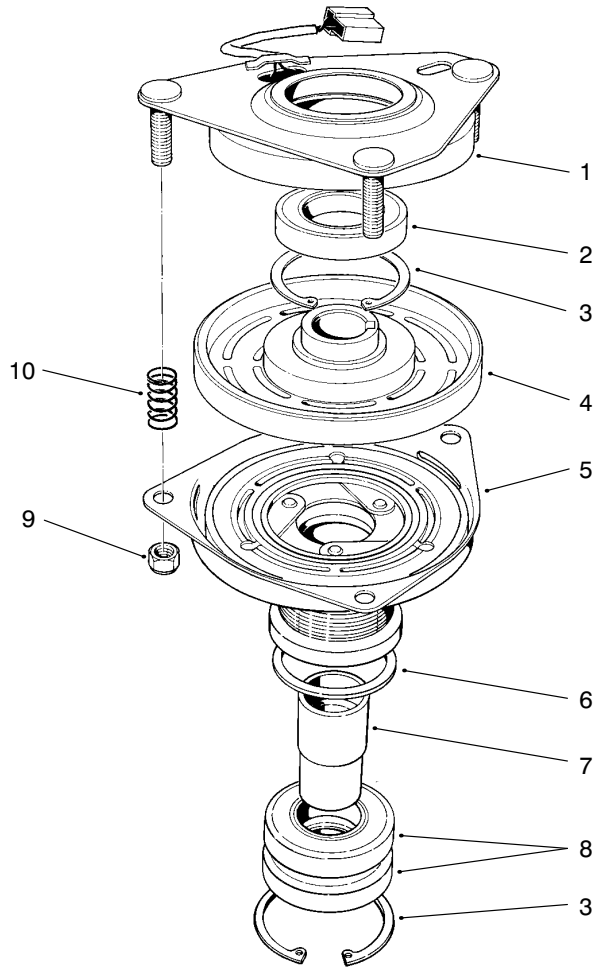
Ref. No.	Part No.	Description	No. Used
26	98-5310	V-Belt	1
27	86-1480	Washer	1
28	98-5621	Idler Arm Assembly	1
29	99-3332	Spring	1
30	33098-00	Washer-Flat	1
31	3272-11	Pin-Cotter	1
32	33114-070	Screw-HH	1
33	98-5616	Spacer	1
34	98-5444	Bushing	2
35	302-5	Fitting-Grease	1
36	54-1170	Spring-Extension	1
37	98-5612	Idler Arm-Front	1
38	98-5840	Pulley-Idler	1
39	88-7200	Washer-Flat	2
40	33114-016	Screw-HH	1
41	98-5449	Bushing-Flange	1
42	33114-020	Screw-HH	1
43	98-5626	Pulley-Idler	1
44	98-5314	V-Belt	1
45	3272-23	Pin-Cotter	1



T-2976-2

DRIVE ASSEMBLY

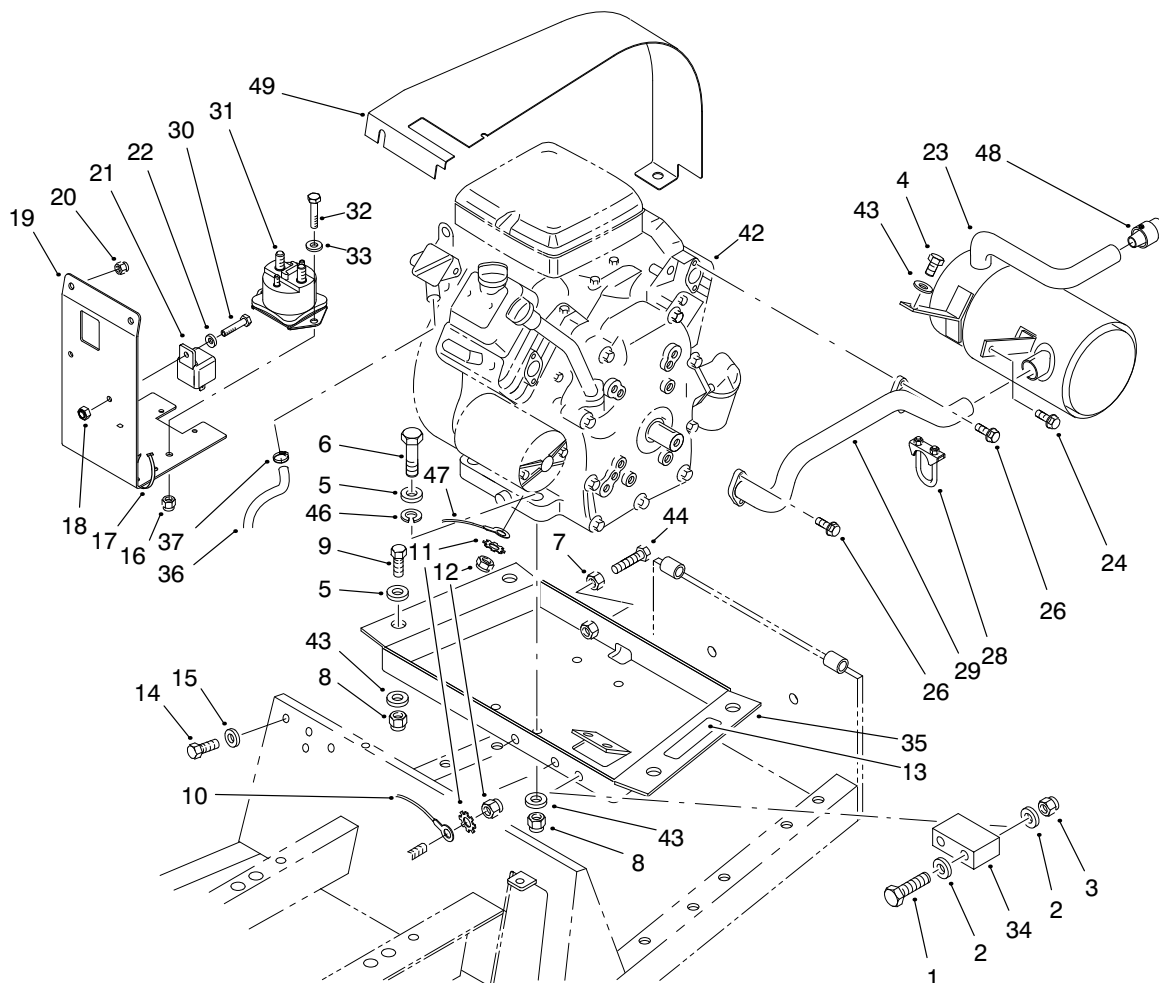
Ref. No.	Part No.	Description	No. Used	Ref. No.	Part No.	Description	No. Used
1	3211-10	Screw	1	16	98-5798	Mount-Clutch	1
2	33096-00	Washer	2	17	98-5308	Clutch	1
3	324-2	Screw	2	18	7-0238	Key-Square	1
4	98-5826	Pin-Roll	1	19	98-5802	Washer	1
5	302-5	Fitting-Grease	2	20	98-5311	Belt	1
6	98-5824	Bushing-Flange	4	21	98-5610	Spacer	1
7	323-8	Screw	1	22	98-5618	Arm-Idler	1
8	3256-4	Washer-Flat	1	23	98-5606	Tension Arm-RH	1
9	3296-39	Nut	1	24	54-1170	Spring	1
10	98-5846	Washer	1	25	98-5609	Bolt	1
11	62-4540	Pulley-Idler	1	26	98-5309	Belt	1
12	98-5625	Pulley-Idler	1	27	98-5611	Shaft	1
13	33114-020	Screw	2	28	62-4530	Pulley-V, Idler	1
14	88-7200	Washer	1	29	98-5825	Spring-Traction Drive	1
15	3245-31	Screw-HS	2	30	98-5605	Pulley	1



T-0267-1

CLUTCH ASSEMBLY NO. 98-5308

Ref. No.	Part No.	Description	No. Used	Ref. No.	Part No.	Description	No. Used
1	44-8350	Field Assembly (Incl. Ref. #2 & 3)	1	5	98-5333	Armature & Pulley Assembly (Incl. Ref. #3 & 6-8)	1
2	251-292	Bearing-Field	1	6	44-8330	Spacer-Bearing	1
3	44-8310	Ring-Retaining	2	7	98-5334	Collar-Bearing	1
4	44-8360	Field Coil, Rotor & Bearing (Incl. Ref. #1)	1	8	251-291	Bearing-Pulley	1
				9	3296-6	Nut-Lock	3
				10	44-8320	Spring	3



ENGINE & EXHAUST ASSEMBLY

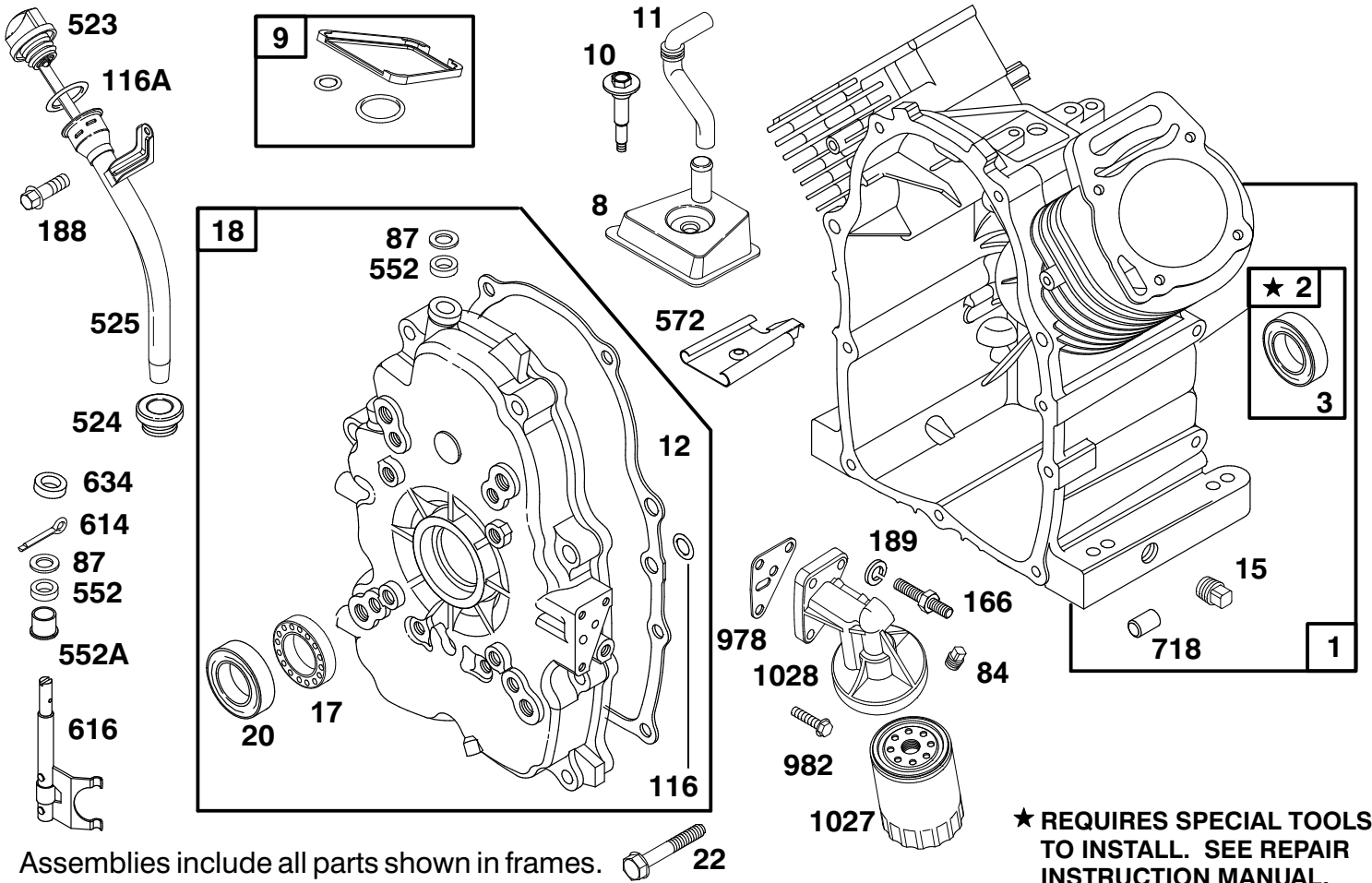
T-2981-3

Ref. No.	Part No.	Description	No. Used
1	33113-050	Screw-HH	2
2	33093-00	Washer-Flat	4
4	33114-025	Screw-HH	1
5	33094-00	Washer-Flat	8
6	33114-045	Screw-HH	4
7	33014-00	Nut-Hex.	2
8	33024-00	Nut-Lock	8
9	33114-080	Screw-HH	4
10	98-5678	Wire-Ground	1
11	3255-7	Washer-Lock, Ext. Tooth	2
12	33023-00	Nut-Lock	2
13	93-7814	Decal-Danger	1
14	33113-020	Screw	2
15	3256-78	Washer	2
16	87-5140	Nut	2
17	3290-379	Tie-Cable	2
18	3296-54	Nut-Lock	2
19	98-5673	Plate-Electric	1
20	33023-00	Nut	2
21	116397	Relay	1
22	3256-21	Washer-Flat	2
23	98-5307	Muffler-Exhaust	1

Ref. No.	Part No.	Description	No. Used
†24	805025	Screw	1
†26	805158	Screw	2
28	95-0586	U-Bolt	1
†29	805403	Manifold-Exhaust	1
30	3290-392	Screw	2
31	28-4210	Solenoid-Starter	1
32	52-4650	Screw	2
33	52-4630	Washer	2
34	98-5470	Block-Stop	1
35	99-3327	Engine Plate Assembly (Incl. Ref. #13)	1
36	66-3170	Hose-Fuel	1
37	2412-36	Clamp-Hose	1
42	98-5330	Engine (Incl. Ref. #24-27 & 29)	1
43	88-7200	Washer	9
44	98-5827	Screw-HH	2
46	3255-8	Washer-Lock	1
47	98-5679	Wire	1
48	95-5819	Screen-Spark Arrestor	1
49	98-5658	Shroud	1

*Not Illustrated

†Obtain from Briggs & Stratton

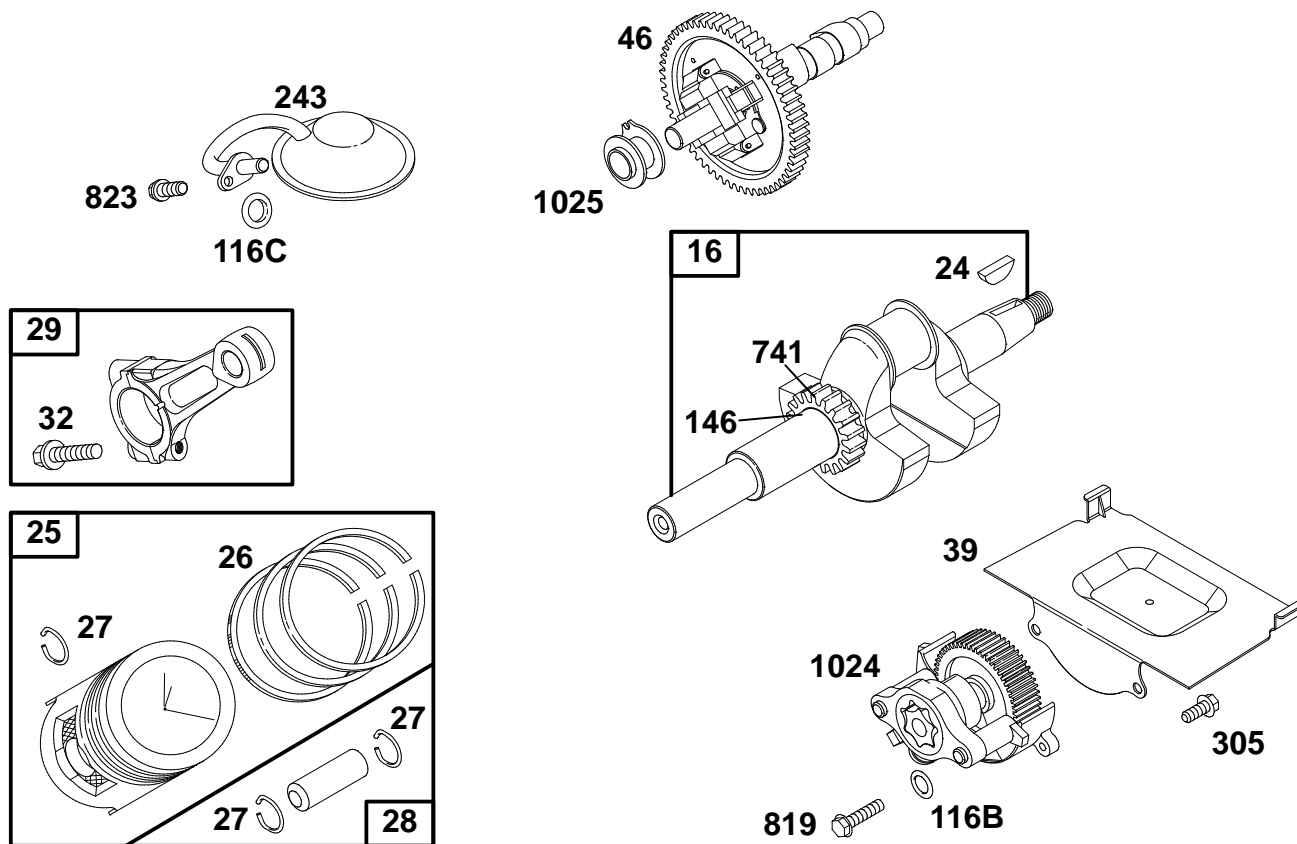


ENGINE BRIGGS & STRATTON MODEL 303447-1282-E1

Ref. No.	Part No.	Description	No. Used
1	808440	Cylinder Assembly	1
2	808534	Bearing - Cylinder	1
*3	805101	Seal - Oil	1
8	807795	Breather Assembly	1
*9	807688	Gasket - Breather	1
10	805751	Screw - Hex. Washer Head	1
11	806083	Tube - Breather	1
12	806190	Gasket - Crankcase Cover	1
15	805048	Plug - Oil Drain	1
17	805754	Bearing - Ball	1
18	808502	Cover - Crankcase	1
*20	805049	Seal - Oil	1
22	805696	Screw - Crankcase Cover	1
84	91488	Plug - Pipe	1
*87	805054	Seal - Governor Shaft	1
116	806191	O-Ring (Crankcase Cover)	1
*116A	805386	O-Ring (Dipstick)	1
166	805073	Stud - Oil Filter Adapter	1

Ref. No.	Part No.	Description	No. Used
188	805247	Screw - Hex.	1
189	805449	Lockwasher	1
523	807977	Dipstick	1
*524	281370	Seal - Fill Tube	1
525	807584	Tube - Oil Fill	1
552	805412	Bushing - Governor Shaft	1
552A	805413	Bushing - Governor Shaft	1
572	805197	Baffle - Breather	1
614	806096	Pin - Cotter	1
616	807596	Fork - Governor	1
634	805416	Washer - Governor Shaft	1
718	805103	Dowel - Crankcase	1
*978	805250	Gasket - Oil Filter Adapter	1
982	805030	Screw - Hex.	1
1027	492932	Filter - Oil	1
1028	808325	Adapter - Oil Filter	1

*Included in Gasket Set - Part No. 808390.



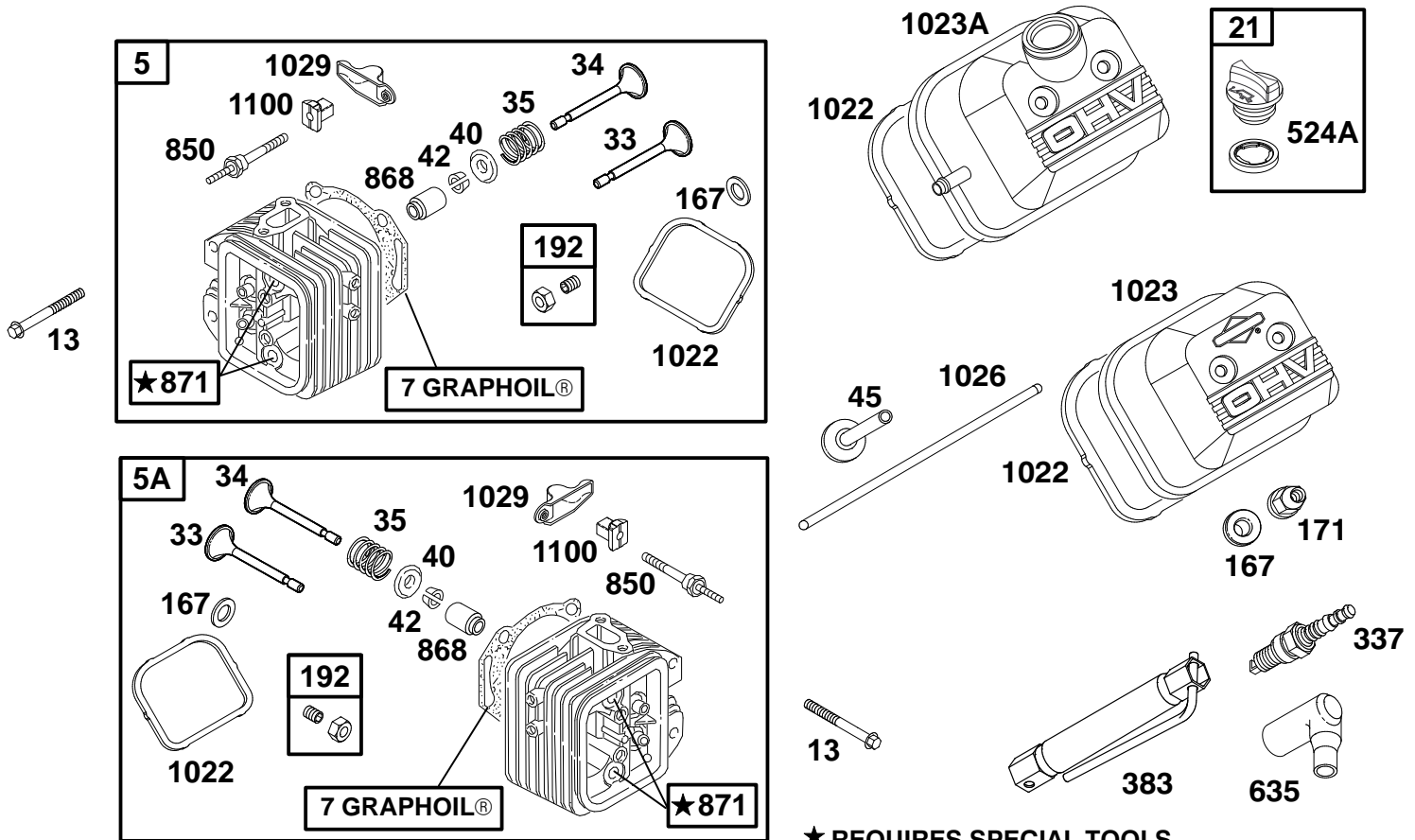
Assemblies include all parts shown in frames.

ENGINE BRIGGS & STRATTON MODEL 303447-1282-E1

Ref. No.	Part No.	Description	No. Used
16	808417	Crankshaft	1
24	806066	Key - Flywheel	1
25	807619	Piston Assembly (Standard)	1
	807807	Piston Assembly (.010 O.S.)	1
	807809	Piston Assembly (.020 O.S.)	1
	807811	Piston Assembly (.030 O.S.)	1
26	807620	Ring Set - Piston (Standard)	1
	807808	Ring Set - Piston (.010 O.S.)	1
	807810	Ring Set - Piston (.020 O.S.)	1
	807812	Ring Set - Piston (.030 O.S.)	1
27	805099	Lock - Piston Pin	1
28	807621	Piston Pin Assembly	1
29	807900	Rod - Connecting (Standard)	1
	807809	Rod - Connecting (.020 U.S.)	1

Ref. No.	Part No.	Description	No. Used
32	805395	Screw - Connecting Rod	1
39	805654	Deflector - Oil	1
46	807542	Gear - Cam	1
*116B	805058	O-Ring (Oil Pump)	1
*116C	805316	O-Ring (Pick - Up Tube)	1
146	94196	Key - Timing	1
243	807598	Screen - Oil Pump	1
305	805406	Screw - Hex.	1
741	805984	Gear - Timing	1
819	805057	Screw - Hex.	1
823	805317	Screw - Hex.	1
1024	807644	Oil Pump Assembly	1
1025	805313	Slider - Governor	1

*Included in Gasket Set - Part No. 808390.



★ REQUIRES SPECIAL TOOLS TO INSTALL. SEE REPAIR INSTRUCTION MANUAL.

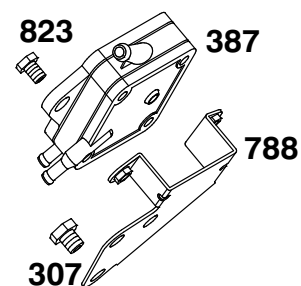
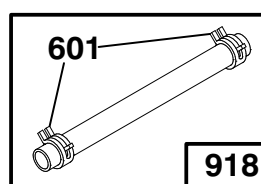
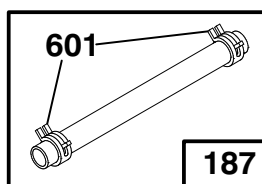
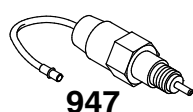
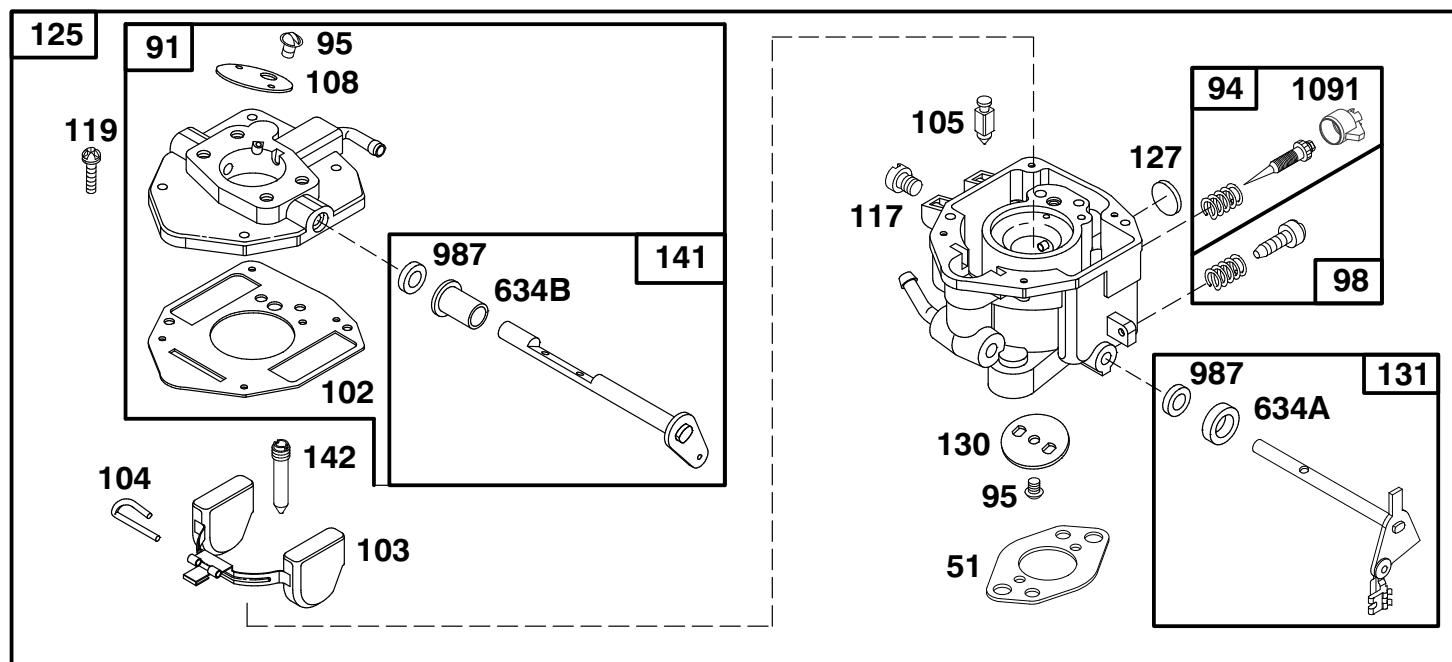
Assemblies include all parts shown in frames.

ENGINE BRIGGS & STRATTON MODEL 303447-1282-E1

Ref. No.	Part No.	Description	No. Used
5	808381	Head – Cylinder (Cyl. #1)	1
5A	808382	Head – Cylinder (Cyl. #2)	1
*‡7	806085	Gasket – Cylinder Head	1
13	805097	Screw – Cylinder Head	1
21	491832	Dipstick/Fill Plug	1
33	807681	Valve – Exhaust	1
34	807680	Valve – Intake	1
35	805937	Spring – Valve	1
40	805092	Retainer – Valve Spring	1
42	807683	Retainer – Valve	1
45	262679	Tappet – Valve	1
*‡167	805420	Washer – Valve Cover	1
‡171	805019	Nut – Nylock	1
192	807623	Screw – Valve Adjustment	1
337	496018	Plug – Spark	1

Ref. No.	Part No.	Description	No. Used
383	19374	Wrench – Spark Plug	1
*‡524A	271983	Seal – Filler Plug	1
635	805529	Elbow – Spark Plug	1
850	806037	Stud – Rocker Arm	1
868	805094	Seal – Valve Guide	1
871	805084	Guide – Valve	1
*‡1022	806039	Gasket – Valve Cover	1
1023	805100	Cover – Valve	1
1023A	808032	Cover – Valve	1
1026	805352	Rod – Push (Intake Valve)	
		Note: 805617 Rod – Push (Exhaust Valve)	1
1029	806036	Arm – Rocker	1
1100	806038	Pivot – Rocker Arm	1

*Included in Gasket Set – Part No. 808390.
 ‡Included in Valve Overhaul Kit – Part No. 808392.



Assemblies include all parts shown in frames.

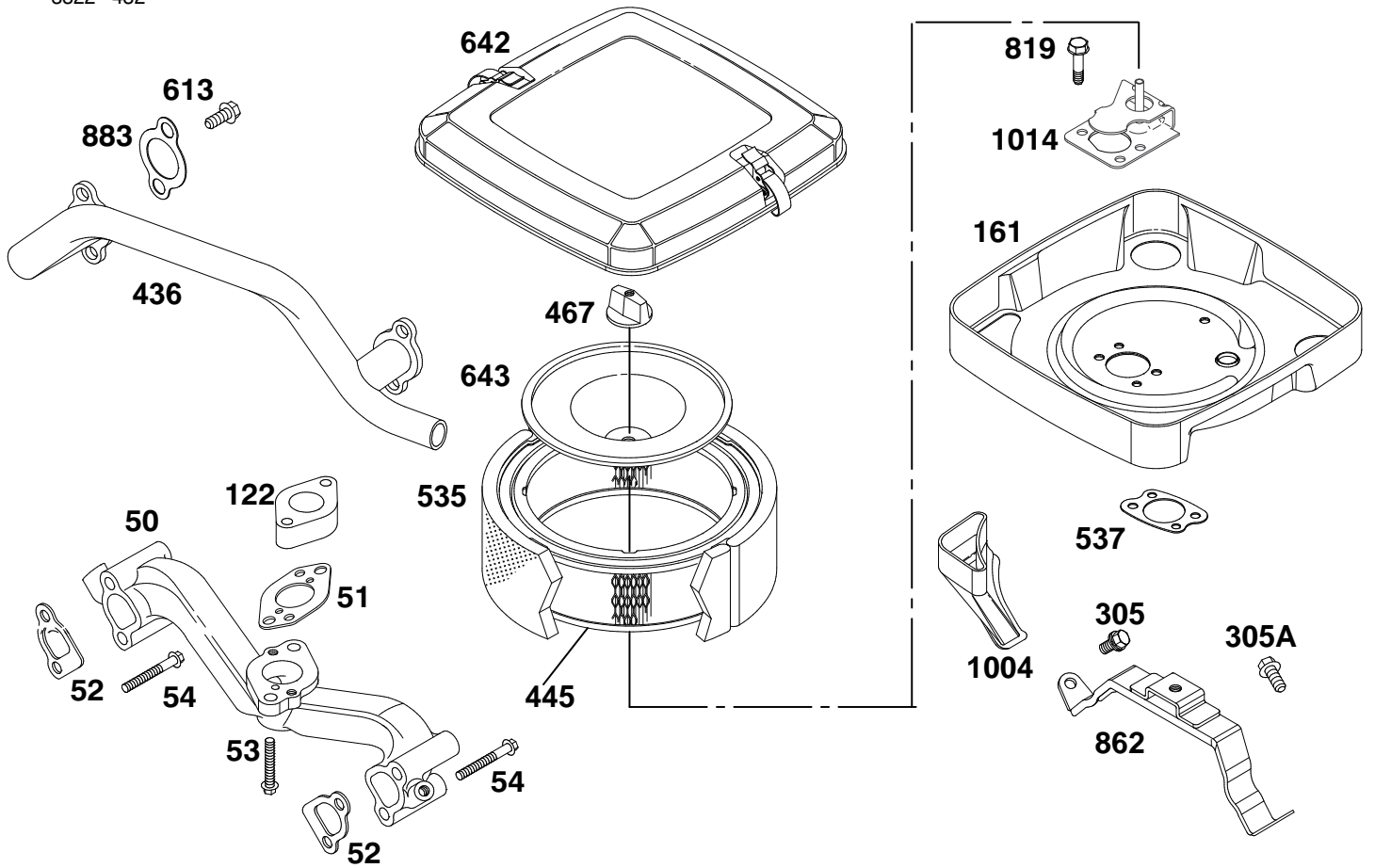
ENGINE BRIGGS & STRATTON MODEL 303447-1282-E1

Ref. No.	Part No.	Description	No. Used
*51	805700	Gasket – Carburetor Mtg.	1
91	807919	Body – Upper Carburetor	1
†94	808257	Valve – Idle Adjust	1
95	805538	Screw – Valve Mtg.	1
98	808177	Screw – Throttle Adj.	1
†102	805541	Gasket – Carburetor Body	1
103	805546	Float Assembly	1
†104	805545	Pin – Float Hinge	1
†105	805547	Valve – Fuel Inlet	1
108	805539	Valve – Choke	1
117	805852	Jet – Main	1
	805537	Jet – Main (High Altitude)	1
119	805540	Screw – Upper Body Mtg.	1
125	808251	Carburetor Assembly	1
†127	805559	Plug – Welch	1
130	805554	Valve – Throttle	1
131	807720	Shaft – Throttle	1

Ref. No.	Part No.	Description	No. Used
141	807722	Shaft – Choke	1
†142	805553	Nozzle – Carburetor	1
187	296004	Line – Fuel (Cut to Required Length)	1
307	805025	Screw – Hex.	1
387	491922	Pump – Fuel	1
601	93053	Clamp – Hose	1
†634A	805557	Collar – Throttle	1
†634B	805543	Collar – Choke	1
788	807685	Bracket – Fuel Pump	1
823	805317	Screw – Mounting	1
918	393815	Line – Vacuum (Cut to Required Length)	1
947	807664	Solenoid	1
†987	805544	Seal – Shaft	1
†1091	805862	Cap – Limiter	1

*Included in Gasket Set – Part No. 808390.

†Included in Carburetor Kit – Part No. 808273.



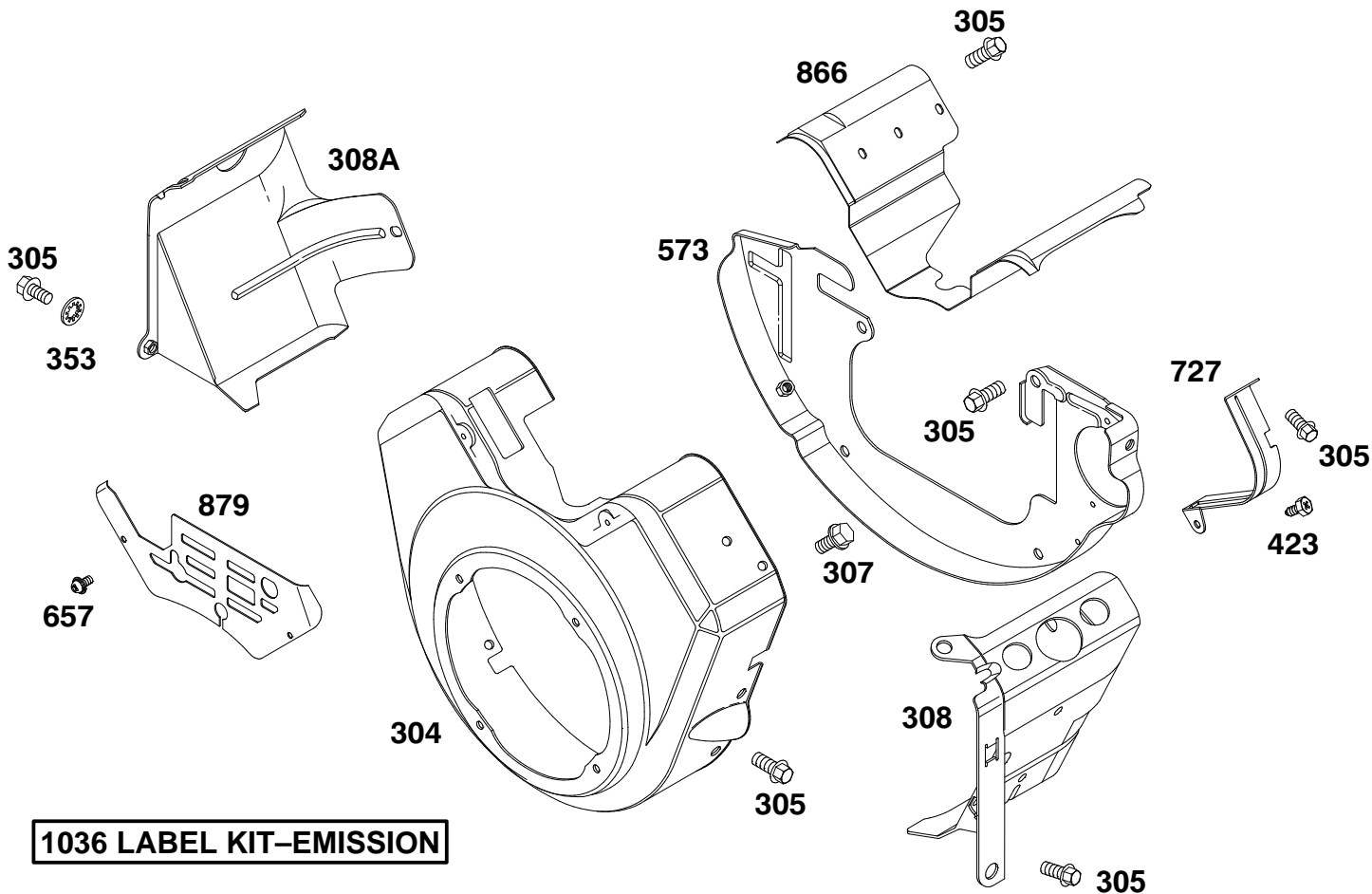
ENGINE BRIGGS & STRATTON MODEL 303447-1282-E1

Ref. No.	Part No.	Description	No. Used
50	805772	Manifold – Intake	1
*51	805700	Gasket – Carburetor Mtg.	1
*‡52	805023	Gasket – Intake Manifold	1
53	805466	Screw – Hex.	1
54	805006	Screw – Hex.	1
122	805328	Spacer – Carburetor	1
161	807857	Base – Air Cleaner	1
305	805406	Screw – Hex. (M6 x 12 mm)	1
305A	805902	Screw – Hex. (M6 x 16 mm)	1
436	805403	Manifold – Exhaust	1

Ref. No.	Part No.	Description	No. Used
445	394018	Filter – Air	1
467	491875	Knob – Air Cleaner	1
535	272490	Filter – Air	1
*537	805655	Gasket – Air Cleaner	1
613	805158	Screw – Hex.	1
642	807862	Cover – Air Cleaner	1
643	805631	Plate – Air Cleaner	1
819	805057	Screw – Hex.	1
862	807796	Bracket – Air Cleaner	1
*‡883	805024	Gasket – Exhaust	1
1004	805632	Strap – Cleaner Mounting	1
1014	808311	Shield – Carburetor	1

*Included in Gasket Set – Part No. 808390.

‡Included in Valve Overhaul Kit – Part No. 808392.

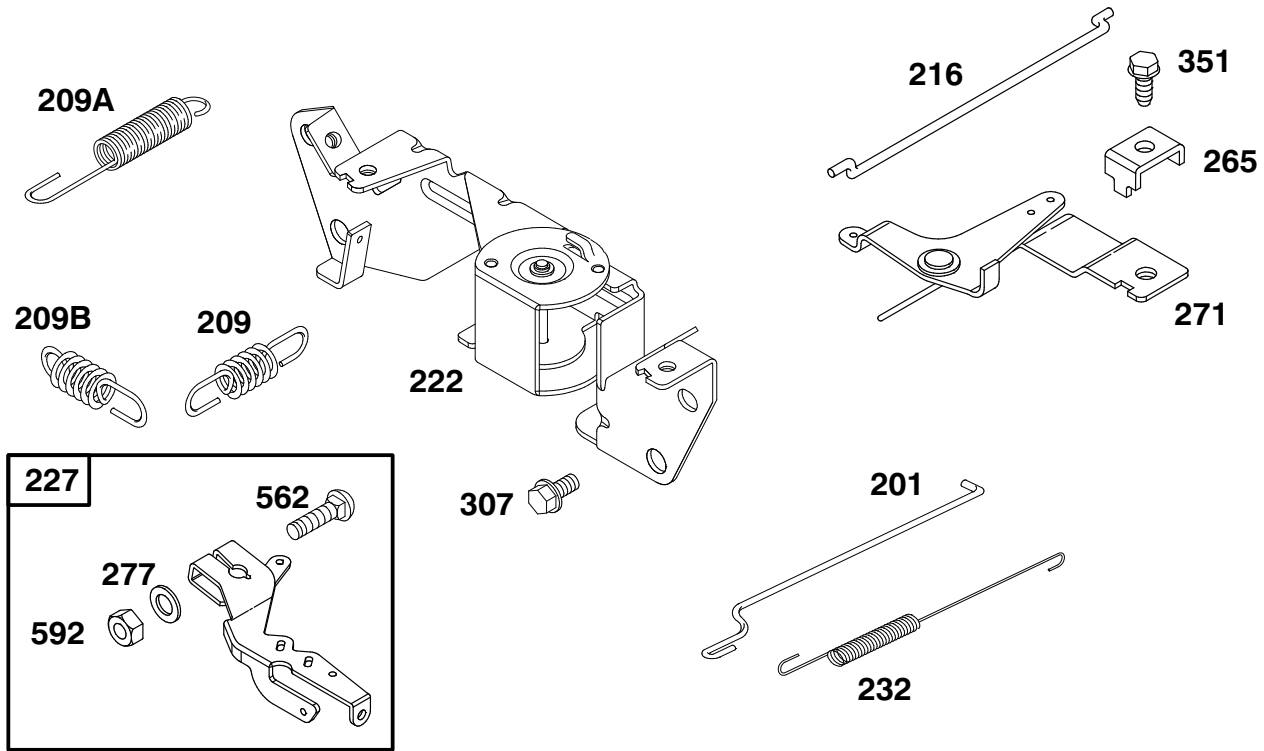


1036 LABEL KIT-EMISSION

ENGINE BRIGGS & STRATTON MODEL 303447-1282-E1

Ref. No.	Part No.	Description	No. Used
304	807898	Housing – Blower	1
305	805406	Screw – Hex.	1
307	805025	Screw – Hex.	1
308	808309	Cover – Air Guide (Cyl. #1)	1
308A	808098	Cover – Air Guide (Cyl. #2)	1
353	806101	Washer – Lock	1

Ref. No.	Part No.	Description	No. Used
423	805260	Screw – Phillips Hex.	1
573	807663	Back Plate Assembly	1
657	805009	Screw – Phillips	1
727	805505	Shield – Starter	1
866	805738	Valley Cover – Air Guide	1
879	805841	Cover – Carburetor	1
1036	499366	Label Kit – Emission	1

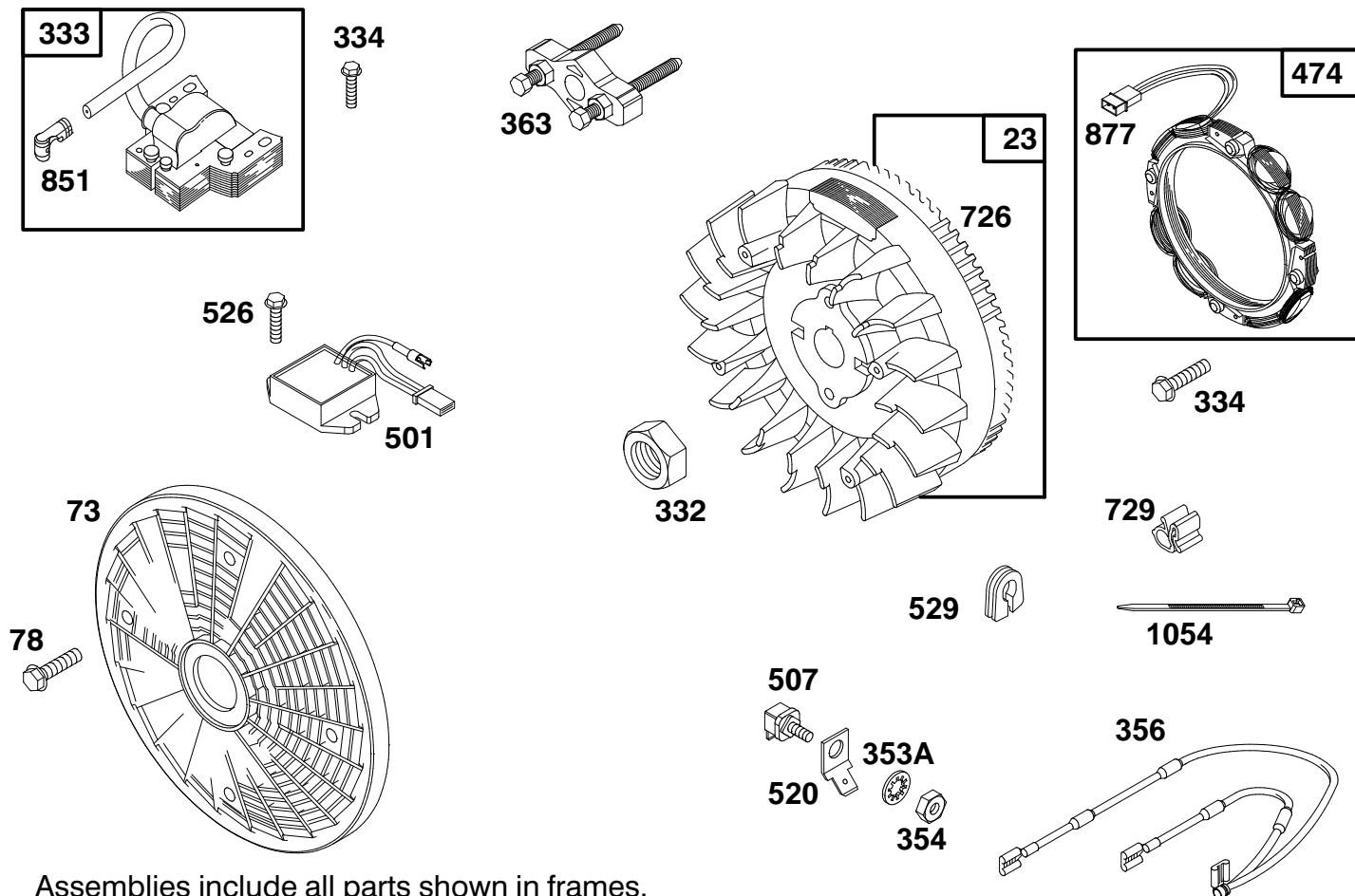


Assemblies include all parts shown in frames.

ENGINE BRIGGS & STRATTON MODEL 303447-1282-E1

Ref. No.	Part No.	Description	No. Used
201	805480	Link - Governor	1
209	805464	Spring - Governor	1
209A	805450	Spring - Governed Idle	1
209B	806105	Spring - Governor	1
216	805439	Link - Choke	1
222	808195	Bracket - Governor Control	1
227	807528	Lever Assembly - Governor	1
232	805465	Spring - Governor Link	1

Ref. No.	Part No.	Description	No. Used
265	221535	Clamp - Casing	1
271	808145	Bracket - Choke Control	1
277	805018	Washer	1
307	805025	Screw - Hex.	1
351	805762	Screw - Hex.	1
562	805381	Bolt - Carriage	1
592	805383	Nut - Hex.	1

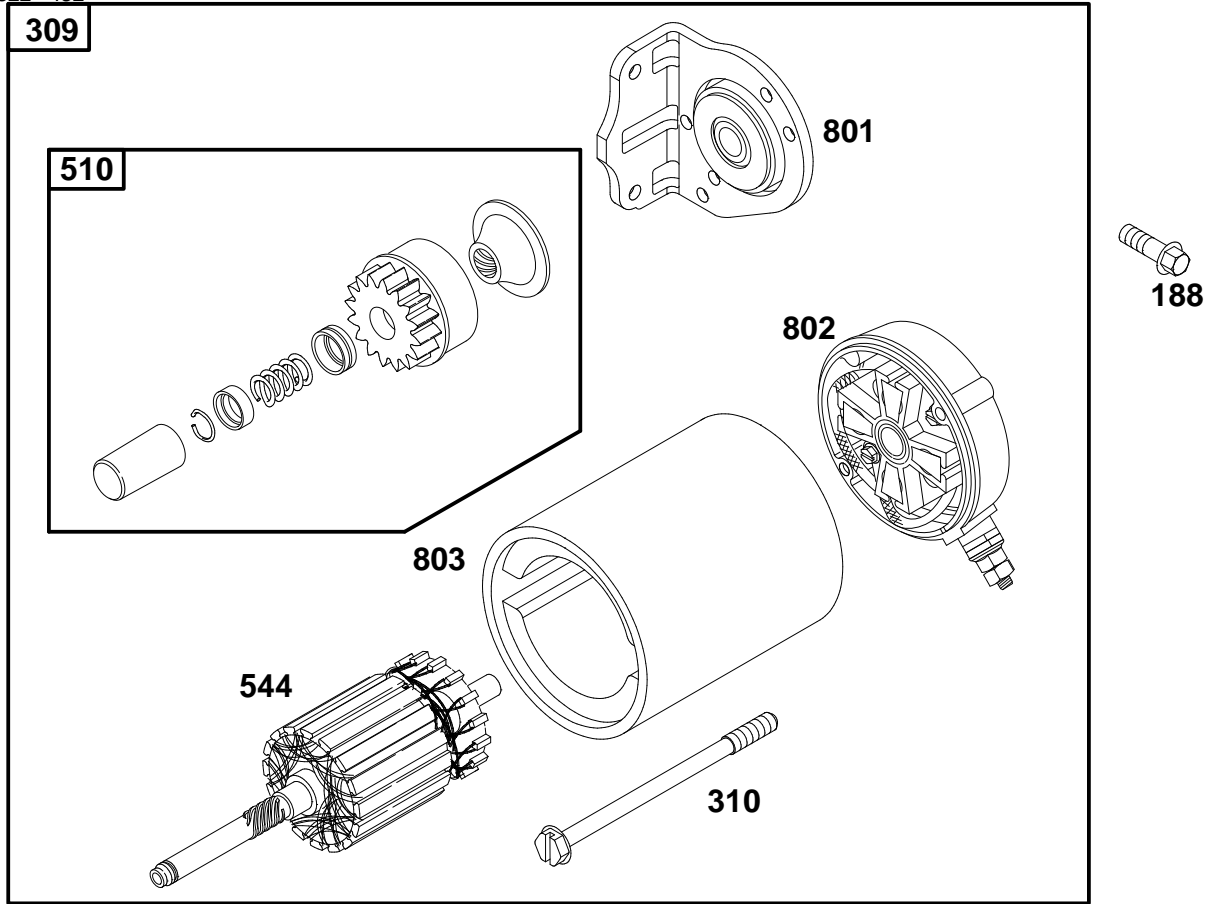


Assemblies include all parts shown in frames.

ENGINE BRIGGS & STRATTON MODEL 303447-1282-E1

Ref. No.	Part No.	Description	No. Used
23	808128	Flywheel – Magneto	1
73	494439	Screen – Rotating	1
78	805447	Screw – Hex.	1
332	806028	Nut – Hex.	1
333	492341	Armature – Magneto	1
334	805407	Screw – Hex.	1
353A	92791	Washer – Lock (Internal Tooth)	1
354	90576	Nut – Hex.	1
356	493792	Wire – Stop	1
363	19203	Puller – Flywheel	1
474	393295	Stator – Alternator	1

Ref. No.	Part No.	Description	No. Used
501	394890	Regulator – Alternator	1
507	398525	Insulator	1
520	93722	Terminal – Spade	1
526	805448	Screw – Hex.	1
529	805641	Grommet	1
726	808162	Gear – Flywheel Ring Includes Mounting Hardware.	1
729	280470	Clip – Wire	1
851	493880	Terminal – Ignition Cable	1
877	393537	Wire – Alternator	1
1054	280275	Tie – Cable	1

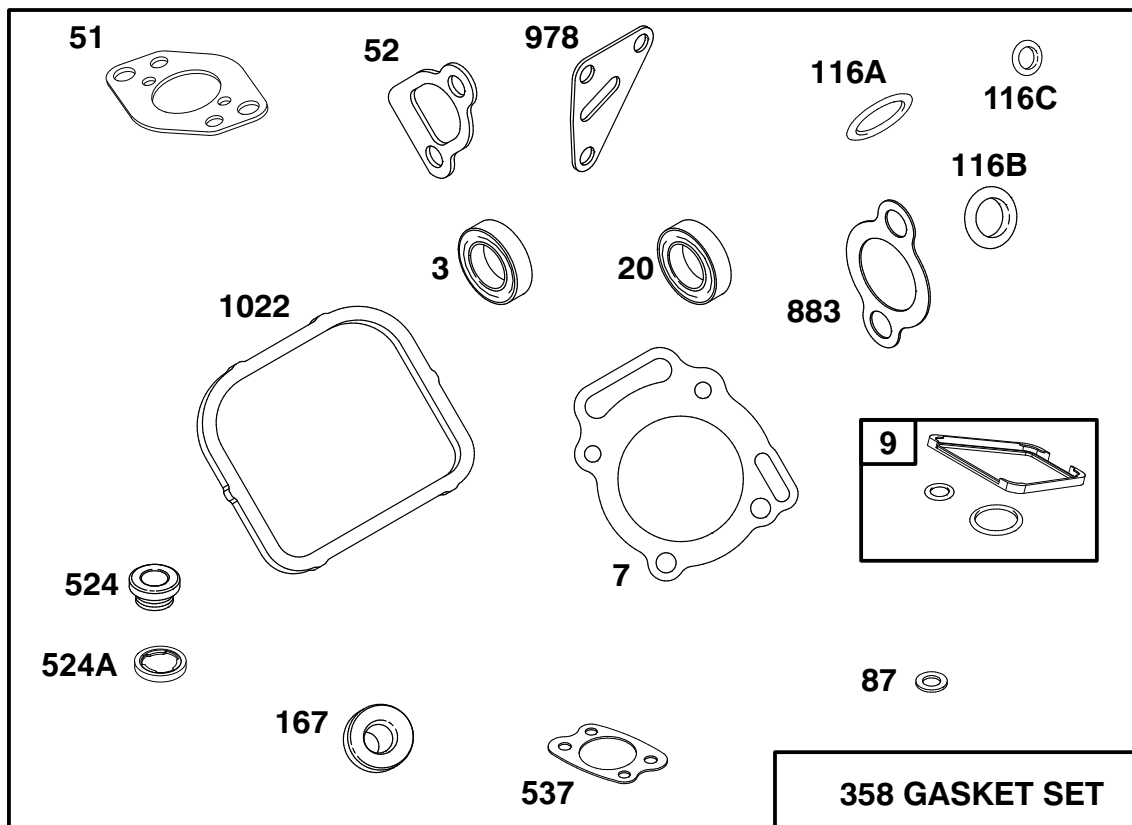


Assemblies include all parts shown in frames.

ENGINE BRIGGS & STRATTON MODEL 303447-1282-E1

Ref. No.	Part No.	Description	No. Used
188	805247	Screw-Hex.	1
309	808106	Motor-Starter	1
310	496880	Bolt-Thru	1
510	496881	Drive-Starter	1
544	496816	Armature-Starter	1

Ref. No.	Part No.	Description	No. Used
801	496814	Cap-Drive	1
802	496813	Cap-End Note: Includes 496887	1
803	496815	Brush Set Housing-Starter	1



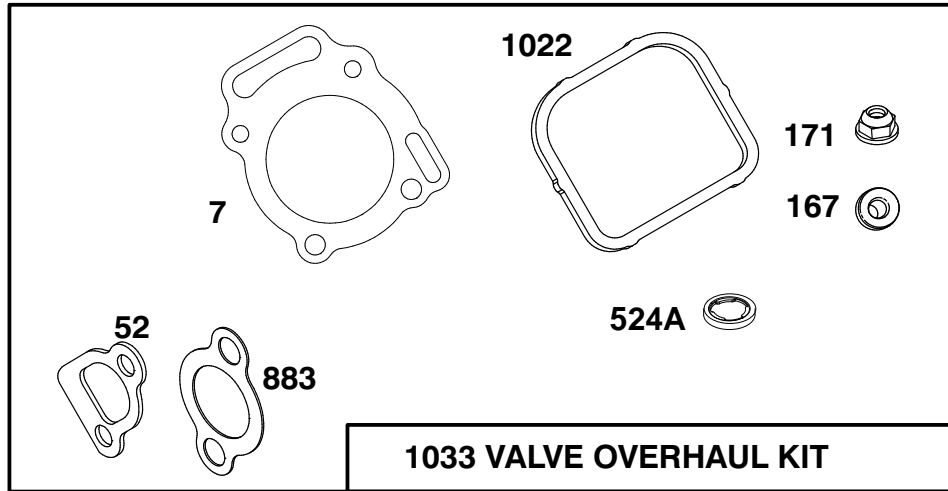
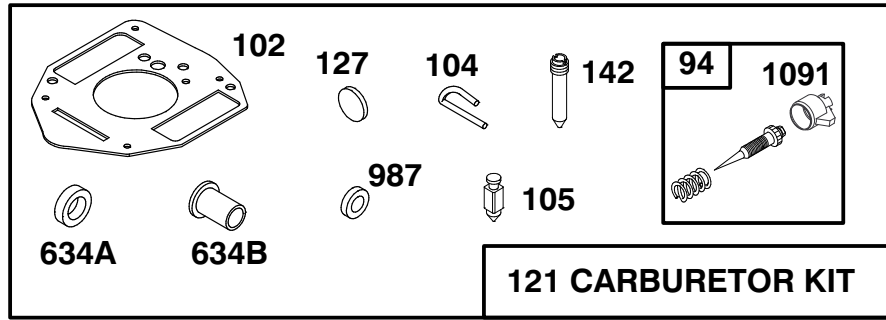
Assemblies include all parts shown in frames.

ENGINE BRIGGS & STRATTON MODEL 303447-1282-E1

Ref. No.	Part No.	Description	No. Used	Ref. No.	Part No.	Description	No. Used
*3	805101	Seal – Oil	1	*116C	805316	O–Ring (Pick – Up Tube)	1
*‡7	806085	Gasket – Cylinder Head	1	*‡167	805420	Washer – Valve Cover	1
*9	807688	Gasket – Breather	1	358	808390	Gasket Set	1
*20	805049	Seal – Oil	1	*524	281370	Seal – Fill Tube	1
*51	805700	Gasket – Carburetor Mtg.	1	*‡524A	271983	Seal – Filler Plug	1
*‡52	805023	Gasket – Intake Manifold	1	*537	805655	Gasket – Air Cleaner	1
*87	805054	Seal – Governor Shaft	1	*‡883	805024	Gasket – Exhaust	1
*116A	805386	O–Ring (Dipstick)	1	*978	805250	Gasket – Oil Filter Adapter	1
*116B	805058	O–Ring (Oil Pump)	1	*‡1022	806039	Gasket – Valve Cover	1

*Included in Gasket Set – Part No. 808390.

‡Included in Valve Overhaul Kit – Part No 808392.



Assemblies include all parts shown in frames.

ENGINE BRIGGS & STRATTON MODEL 303447-1282-E1

Ref. No.	Part No.	Description	No. Used
*‡7	806085	Gasket – Cylinder Head	1
*‡52	805023	Gasket – Intake Manifold	1
†94	808257	Valve – Idle Adjust	1
†102	805541	Gasket – Carburetor Body	1
†104	805545	Pin – Float Hinge	1
†105	805547	Valve – Fuel Inlet	1
121	808273	Carburetor Kit	1
†127	805559	Plug – Welch	1
†142	805553	Nozzle – Carburetor	1
*‡167	805420	Washer – Valve Cover	1

Ref. No.	Part No.	Description	No. Used
‡171	805019	Nut – Nylock	1
*‡524A	271983	Seal – Filler Plug	1
†634A	805557	Collar – Throttle	1
†634B	805543	Collar – Choke	1
*‡883	805024	Gasket – Exhaust	1
†987	805544	Seal – Shaft	1
*‡1022	806039	Gasket – Valve Cover	1
1033	808392	Overhaul Kit – Valve	1
†1091	805862	Cap – Limiter	1

*Included in Gasket Set – Part No. 808390.

†Included in Carburetor Kit – Part No. 808273.

‡Included in Valve Overhaul Kit – Part No. 808392.

TORO PART NUMBER INDEX

3322-432

Part No.	Description	Pg. No.	Ref. No.	Qty.	Part No.	Description	Pg. No.	Ref. No.	Qty.
1278	Shim	28	39	A/R	52-4630	Washer	35	33	2
1278	Washer-Shim	28	35	2	52-4650	Screw	35	32	2
1481	Fitting-Grease	28	9	1	52-6430	Washer-Flat	3	27	2
5108	Valve-Tire	28	34	2	52-6450	Screw	3	26	2
5210	Shim	28	40	A/R	54-0100	Head-Filter	16	37	1
5210	Washer-Shim	28	37	4	54-0110	Element-Oil Filter	16	40	1
102950	Washer	11	19	1	54-0240	Fan	8	14	1
105805	Nut	11	18	1	54-0320	Gear	8	3	1
108319	Gasket	8	1	1	54-0930	Pulley-Transmission	8	20	1
110513	Bearing-Ball	28	32	4	54-0960	Spring	4	19	1
111951	Cap-Hub	5	23	2	54-1170	Spring	33	24	1
111951	Hubcap	28	19	2	54-1170	Spring-Extension	32	36	1
111952	Washer-Wheel	28	21	2	54-1451	Control-Throttle	11	2	1
113050	Cover-Switch	11	6	1	55-7120	Switch-Lift	3	28	1
113179	Nut	11	5	1	56-2800	Screw - Hex. Socket Hd.	9	1	1
116397	Relay	35	21	1	56-2810	Bearing - Input	10	47	1
116716	Switch-Clutch	11	17	1	56-2820	Seal - Oil	9	46	1
117127	Tire-16 x 6.5-8	28	22	2	56-2830	Charge Pump Assembly	9	2	1
602945	Washer	1	23	4	56-2850	Ring - Seal	9	4	1
3-0348	Bushing	26	7	2	56-2860	Plate - Pump	9	5	1
3-6498	Washer	8	41	1	56-2870	Ring - Seal	9	6	1
3-6498	Washer-Thrust	3	18	2	56-2880	Button	9	7	2
5-0743	Spring	19	8	2	56-2890	Pin - Dowel	9	8	1
5-0743	Spring	22	8	2	56-2900	Pin - Drive	9	9	1
5-0743	Spring-Extension	26	21	1	56-2910	Input Shaft Assembly	9	10	1
5-0786	Key-Square	5	6	2	56-2920	Ring - Seal	9	11	1
5-7280	Key-Square	30	1	1	56-2930	Pump Rotor & Ball Assembly	9	12	1
7-0238	Key-Square	33	18	1	56-2940	Cam Ring Assembly	9	14	1
8-2531	Chains-Tire (Optional)	5	*	2	56-2950	Piston	9	15	2
10-8120	Bolt-Battery	12	21	2	56-2960	Ring - Backup	9	16	2
22-8330	Plug	15	1	2	56-2970	ORing	9	17	2
22-8340	Spring	15	3	2	56-2980	Pin - Coil	9	18	1
22-8350	Ball	15	4	2	56-2990	Pintle Assembly	9	19	1
22-8360	Pin - Cam	15	6	2	56-3000	Ring - Retaining	9	20	2
22-8370	Seat - Check Valve	15	5	2	56-3010	Ball	9	21	2
22-8380	Retainer - Spring	15	10	2	56-3020	Body - Check Valve	9	22	2
22-8390	Spring Retainer	15	12	1	56-3030	Ball	9	25	1
22-8400	Spacer Float	15	13	1	56-3040	Spring - Relief Valve	9	24	1
22-8410	Spring	15	11	1	56-3050	Plug - Relief Valve	9	23	1
22-8420	Spool	15	8	1	56-3060	Pin - Dowel	9	26	1
22-8480	Ring - Spool Retaining	15	14	1	56-3080	Ring - Retaining	10	49	1
22-8490	Ring - Retaining	15	15	1	56-3090	Ring - Retaining	10	48	2
22-8500	O-Ring	15	9	2	56-3100	Screw - Hex. Socket Hd.	9	45	4
27-6420	Seal-Oil	7	36	1	56-3110	Pin - Roll	9	44	6
28-4210	Solenoid-Starter	35	31	1	56-3120	Carrier	9	3	1
28-8080	Boot-Terminal	12	4	1	56-3130	Seal - Oil	9	43	1
29-6163	Switch	8	30	1	56-3140	Control Shaft Kit	9	42	1
29-6163	Switch-Brake	12	10	1	56-3170	Insert - Cam Ring	9	30	1
38-1420	Switch-Seat	27	12	1	56-3180	Spring - Valve	9	27	2
38-8000	Filter-Fuel	16	11	1	56-3200	Body - Valve	9	28	2
42-9850	Washer-Lock	17	6	2	56-3210	Ball	9	29	2
42-9850	Washer-Lock	20	6	2	56-3220	Motor Rotor & Ball Assembly	9	39	1
42-9850	Washer-Spring	26	24	1	56-3230	Output Shaft Assembly	9	40	1
43-1710	Valve Assembly	14	12	1	56-3240	Race - Motor	9	41	1
43-5930	Washer	12	6	4	56-3250	Plug Assembly	9	33	1
44-8310	Ring-Retaining	34	3	2	56-3260	ORing	9	34	1
44-8320	Spring	34	10	3	56-3270	Seal - Oil	9	35	1
44-8330	Spacer-Bearing	34	6	1	56-3280	Bearing - Output	9	36	1
44-8350	Field Assembly	34	1	1	56-3290	Ring - Retaining	9	37	1
44-8360	Field Coil, Rotor & Bearing	34	4	1	56-3300	Screw - Hex. Socket Hd.	9	38	2
46-8091	Screw-Tapping	1	7	2	56-3310	Kit - Overhaul Seal	10	*	1
48-9590	Washer-Lock	19	17	4	56-6590	Screw	14	6	1
48-9590	Washer-Lock	22	17	4	61-0140	Pulley	30	6	2
48-9590	Washer-Spring	29	2	1	61-0140	Pulley	31	12	1

*Not Illustrated

TORO PART NUMBER INDEX (Cont.)

Part No.	Description	Pg. No.	Ref. No.	Qty.	Part No.	Description	Pg. No.	Ref. No.	Qty.
61-0710	Bushing Assembly	21	11	2	92-3162	Bushing-Flange	3	24	4
61-0900	Bracket-Carrier	18	11	2	92-6270	Plate-Traction	8	45	1
61-0900	Bracket-Carrier	21	15	2	92-6289	Swing Arm Assembly	8	37	1
61-1370	Spacer	21	9	2	92-6290	Spacer	8	36	1
61-1960	Axle-Wheel	29	17	1	93-0166	Tire-18 x 6.5-8	29	18	1
61-2350	Mount-Bearing	30	10	2	93-6668	Decal-Battery	12	23	1
61-2350	Mount-Bearing	31	21	2	93-6686	Decal-Hydraulic Oil	16	43	1
61-3210	Cable Pulley Assembly	23	14	3	93-6696	Decal-Warning	22	6	2
61-3230	Spacer	23	15	3	93-6696	Decal-Warning	26	27	1
62-4530	Pulley-V, Idler	33	28	1	93-6696	Decal-Warning	19	31	2
62-4540	Pulley-Idler	33	11	1	93-6768	Gear-Sector	3	13	1
63-7550	Hose Assembly	14	9	1	93-6769	Steering Column	3	16	1
63-7550	Hose Assembly	8	10	1	93-6912	Shackle	19	21	2
63-8360	Key-Ignition	11	12	1	93-6912	Shackle	22	21	2
65-5100	Handle-Hood	1	9	1	93-7170	Cap-Fuel	16	1	1
66-0120	Knob-Lever	11	1	2	93-7252	Decal-CE Mark	1	8	1
66-2000	Decal-Noise Rating	1	5	1	93-7267	Decal-Parking Brake	2	13	1
66-3170	Hose-Fuel	16	9	1	93-7272	Decal-Warning	1	28	1
66-3170	Hose-Fuel	35	36	1	93-7276	Decal-Battery	12	24	1
67-1300	Decal-Logo	2	2	1	93-7722	Shield-Front Cutting Unit	22	26	2
67-1300	Decal-Logo	1	13	1	93-7722	Shield-Front Cutting Unit	19	30	2
68-4210	Spacer	29	19	2	93-7814	Decal-Danger	35	13	1
68-9420	Washer-Lock	32	2	3	93-7814	Decal-Danger	1	27	1
72-4790	Clamp-Battery	12	3	1	93-9077	Decal-Latch	27	11	1
74-0720	Tube-Manual	16	13	1	93-9687	Decal-No Step	2	17	2
74-9100	Pad-Reverse	4	12	1	94-2869	Washer	18	2	2
74-9110	Pad-Forward	4	11	1	94-2869	Washer	21	2	2
75-4130	Spacer	8	29	2	94-3405	Bearing-Ball	31	17	2
75-5470	Spacer-Bearing	8	38	1	94-3405	Bearing-Ball	30	23	2
75-6840	Knob-Knurled	27	7	4	94-3405	Bearing-Ball	32	23	2
75-6840	Knob-Knurled	2	11	3	94-3500	Steering Wheel	3	7	1
75-6840	Knob-Knurled	16	28	2	94-5849	Diode	13	2	1
76-0190	Cap-Oil	16	27	1	94-6279	Hose-Fuel	16	12	1
76-0200	Oil Cap Assembly	16	*	1	94-7691	Adapter	8	5	2
76-0220	Foam-Filter	16	26	1	94-9387	Tire-23 x 9.5-12	5	3	2
76-0240	Dipstick Assembly	16	25	1	95-0586	U-Bolt	35	28	1
76-2430	Bracket-Debris Pulley	31	25	1	95-5819	Screen-Spark Arrestor	35	48	1
76-2430	Bracket-Debris Pulley	30	27	1	95-7212	Pin-Drive	7	11	1
76-2440	Support-Debris Pulley	31	23	1	95-7213	Block-Drive	7	10	2
76-2440	Support-Debris Pulley	30	26	1	95-7236	Pin-Dowel	7	21	6
76-2460	Bearing Assembly	32	5	2	95-7244	Washer	7	15	2
76-2460	Bearing Assembly	30	8	2	95-7257	Washer	7	17	2
76-2460	Bearing Assembly	31	15	2	98-0777	Transmission-Hydrostatic	8	49	1
76-6880	Hose Assembly	16	39	1	98-0781	Reservoir-Hydraulic	16	21	1
76-6880	Hose Assembly	8	48	1	98-1818	Arm-Tension	19	12	2
76-8210	Hose Assembly	14	14	1	98-2876	Fitting-Hydraulic	16	19	2
76-8210	Hose Assembly	16	33	1	98-3333	Washer-Flat	24	2	2
76-8640	Stud-Traction	8	40	1	98-5305	Control-Choke	11	20	1
76-9430	Spring-Extension	8	47	1	98-5306	Cable-Lift	23	16	1
82-4640	Battery	12	5	1	98-5307	Muffler-Exhaust	35	23	1
83-9130	Keeper-Cable	23	5	2	98-5308	Clutch	33	17	1
85-6910	Decal-Noise Rating	1	25	1	98-5309	Belt	33	26	1
86-1480	Washer	24	25	2	98-5310	V-Belt	32	26	1
86-1480	Washer	32	27	1	98-5311	Belt	33	20	1
87-5140	Nut	35	16	2	98-5313	Belts-Jackshaft to Cutting	19	*	3
87-5140	Nut-Lock	3	31	2	98-5313	Belts-Jackshaft to Cutting	22	*	3
88-3870	Cover-Steering Wheel	3	8	1	98-5314	V-Belt	32	44	1
88-7200	Washer	33	14	1	98-5315	Rim-Wheel	5	20	2
88-7200	Washer	35	43	9	98-5316	Tire & Wheel Assembly	5	*	2
88-7200	Washer-Flat	32	39	2	98-5317	Rim-Wheel	28	33	2
88-9830	Ignition Switch Assembly	11	8	1	98-5318	Rear Wheel Assembly	28	*	2
92-1815	Rod-Pivot	19	23	2	98-5319	Decal-Panel, Control	11	13	1
92-1815	Rod-Pivot	22	23	2	98-5320	Decal-Ignition	11	9	1
92-1818	Arm-Tension	22	12	2	98-5322	Decal-Safety	2	16	1

*Not Illustrated

TORO PART NUMBER INDEX (Cont.)

3322-432

Part No.	Description	Pg. No.	Ref. No.	Qty.	Part No.	Description	Pg. No.	Ref. No.	Qty.
98-5325	Steering Shaft & Gear	3	14	1	98-5442	Rod End	29	9	1
98-5327	Axle Assembly	5	13	1	98-5442	Rod End-RH	3	12	1
98-5330	Engine	35	42	1	98-5443	Ball Joint-LH	28	38	2
98-5332	Axle-Rear	28	27	1	98-5444	Bushing	17	16	4
98-5333	Armature & Pulley Assembly	34	5	1	98-5444	Bushing	20	16	4
98-5334	Collar-Bearing	34	7	1	98-5444	Bushing	32	34	2
98-5335	Bearing	32	9	2	98-5445	Rod End	4	14	2
98-5336	Bearing Assembly	5	21	2	98-5449	Bushing-Flange	19	7	4
98-5337	Hub-Wheel	5	18	2	98-5449	Bushing-Flange	22	7	4
98-5338	Rod-Pivot	26	14	1	98-5449	Bushing-Flange	24	7	7
98-5339	Shaft-Front	31	2	1	98-5449	Bushing-Flange	28	18	2
98-5339	Shaft-Front	30	5	1	98-5449	Bushing-Flange	26	19	2
98-5340	Shaft-Upper	32	3	1	98-5449	Bushing-Flange	32	41	1
98-5341	Hose	8	7	1	98-5450	Ring	17	21	2
98-5341	Hose	16	32	1	98-5450	Ring	20	21	2
98-5342	Hose	16	17	1	98-5454	Tension Arm	17	1	1
98-5342	Hose	8	25	1	98-5454	Tension Arm	20	1	1
98-5343	Hose Assembly	14	18	2	98-5455	Tension Arm	17	7	1
98-5343	Hose Assembly	24	33	2	98-5455	Tension Arm	20	7	1
98-5346	Decal-Lift	11	15	1	98-5457	Spacer	17	9	2
98-5350	Decal-Country of Origin	1	24	1	98-5457	Spacer	20	9	2
98-5351	Pulley	32	14	1	98-5458	Pin	24	34	1
98-5352	Cover Assembly	7	1	1	98-5462	Washer	3	25	1
98-5353	Bearing-Needle	7	2	2	98-5463	Rod	29	7	1
98-5354	Bearing-Needle	7	3	1	98-5463	Rod-Steering	3	11	1
98-5355	Case Assembly	7	4	1	98-5463	Tie Rod	28	31	1
98-5356	Shaft-Output	7	5	1	98-5465	Spacer	24	15	1
98-5357	Gear-Output	7	6	1	98-5466	Rod-Traction	4	15	1
98-5358	Gear-Bevel	7	7	2	98-5469	Mount-Seat	27	4	2
98-5359	Pinion-Bevel	7	8	2	98-5470	Block-Stop	35	34	1
98-5360	Gear-Ring	7	9	1	98-5471	Battery Plate Assembly	12	14	1
98-5361	Screw	7	12	10	98-5472	Rubber	12	15	2
98-5362	Screw	7	13	3	98-5474	Pedal-Traction	4	13	1
98-5363	Ring-Retaining, External	7	14	2	98-5476	Lever	4	27	1
98-5364	Disc-Brake	7	18	1	98-5479	Plate	4	17	2
98-5365	Plate-Pad, Brake	7	19	1	98-5481	Lever-Brake	4	18	1
98-5366	Pad-Brake	7	20	1	98-5482	Bracket-Angle, RH	2	*	1
98-5367	Washer-Flat	7	22	1	98-5483	Bracket-Angle, LH	2	15	1
98-5368	Arm-Brake	7	23	1	98-5485	Spacer	12	18	1
98-5369	Screw	7	24	1	98-5487	Spacer	27	10	4
98-5370	Screw	7	25	1	98-5488	Plate-Switch	12	11	1
98-5371	Nut-Lock	7	26	1	98-5490	Stud-Pivot	24	22	2
98-5372	Holder-Pad, Brake	7	27	1	98-5493	Pin-Pivot	24	29	1
98-5373	Spacer	7	28	1	98-5494	Pin-Pivot	24	26	2
98-5374	Bracket-Lever, Brake	7	29	1	98-5496	A-Frame	24	27	1
98-5375	Axle	7	30	1	98-5499	Pin	24	21	1
98-5376	Axle	7	31	1	98-5501	Bar-Upper Side	24	18	1
98-5377	Shaft-Shifter & Brake	7	32	1	98-5502	Roller	24	23	2
98-5378	Bearing-Needle	7	33	1	98-5504	Side Bar Assembly	24	24	2
98-5379	Washer-Flat	7	34	1	98-5506	Keeper-Cable	23	13	1
98-5380	Seal-Oil	7	37	2	98-5514	Shaft-Lift Pivot	26	22	1
98-5381	Carrier-Differential	7	38	1	98-5517	Mount-Spring	26	17	1
98-5382	Carrier-Differential	7	39	1	98-5519	Knob	26	18	1
98-5383	Screw	7	40	8	98-5523	Stop-Rubber	17	18	2
98-5384	Gasket-Case to Cover	7	42	1	98-5523	Stop-Rubber	20	18	2
98-5385	Gear-Spur	7	43	1	98-5524	Latch-Center	26	3	1
98-5386	Axle Housing Assembly	7	44	2	98-5525	Washer-Shim	5	11	A/R
98-5387	Bushing	7	45	4	98-5526	Washer-Shim	5	12	A/R
98-5388	Plate-Adapter	7	46	1	98-5529	Plate-Traction	8	27	1
98-5389	Gasket-Loctite	7	47	1	98-5531	Mount-Axle	5	10	1
98-5396	Tank-Fuel	16	6	1	98-5534	Washer	29	11	1
98-5398	Lock-Hood	1	4	1	98-5540	Mount-Fork	29	14	1
98-5441	Cylinder-Hydraulic	24	17	1	98-5542	Bar-Flat	29	15	2
98-5442	Ball Joint-RH	28	36	4	98-5542	Bar-Flat	28	25	2

*Not Illustrated

TORO PART NUMBER INDEX (Cont.)

Part No.	Description	Pg. No.	Ref. No.	Qty.	Part No.	Description	Pg. No.	Ref. No.	Qty.
98-5544	Bolt-Countersunk	29	27	2	98-5753	Tube	22	4	2
98-5545	Fork-Castor	29	10	1	98-5754	Pin	19	9	2
98-5546	Spindle-Rear Axle, LH	28	28	1	98-5754	Pin	22	9	2
98-5547	Spindle-Rear Axle, RH	28	30	1	98-5755	Mount-Cutting Unit	26	8	1
98-5551	Rod-Steering	28	29	2	98-5760	Stop-Rubber	23	18	2
98-5558	Mount-Axle	28	26	1	98-5761	Bracket-Spacer	23	17	2
98-5562	Plate-Pivot	28	24	1	98-5762	A-Frame	19	3	1
98-5563	Mount-Pivot Plate	28	23	1	98-5762	A-Frame	22	3	1
98-5566	Hub-RH	30	20	1	98-5771	Pin-Lock	19	2	1
98-5567	Key-Square	31	10	1	98-5771	Pin-Lock	22	2	1
98-5567	Key-Square	30	18	1	98-5772	Plate-Stop, RH	19	11	1
98-5568	Mount-Tie Rod, RH	30	7	1	98-5775	Plate-Stop, LH	19	10	1
98-5592	Coupler Assembly	31	*	1	98-5776	Mount-Tension, LH	17	8	1
98-5593	Hub-Left	31	5	1	98-5779	Spacer	18	3	2
98-5594	Coupler	31	3	1	98-5779	Spacer	21	3	2
98-5595	Screw-Wing	31	9	1	98-5779	Spacer	17	19	2
98-5596	Mount-Tie Rod, LH	31	32	1	98-5780	Mount-Tension, RH	17	12	1
98-5597	Key-Square	31	27	1	98-5783	Rod	17	4	2
98-5598	Pulley	31	30	1	98-5786	Rod End-RH	18	14	2
98-5600	Spacer	32	10	1	98-5786	Rod End-RH	21	18	2
98-5601	Spacer	32	6	1	98-5787	Rod	18	8	2
98-5602	Pulley-Double	32	7	1	98-5787	Rod	21	8	2
98-5603	Key-Square	32	12	2	98-5788	Spacer	18	12	2
98-5604	Pulley	32	20	1	98-5788	Spacer	21	16	2
98-5605	Pulley	33	30	1	98-5789	Guide-Stop, LH	19	6	1
98-5606	Tension Arm-RH	33	23	1	98-5792	Guide-Stop, RH	19	*	1
98-5609	Bolt	33	25	1	98-5793	Latch-Transport	19	1	1
98-5610	Spacer	33	21	1	98-5798	Mount-Clutch	33	16	1
98-5611	Shaft	33	27	1	98-5802	Washer	33	19	1
98-5612	Idler Arm-Front	32	37	1	98-5807	Rod	18	6	2
98-5616	Spacer	32	33	1	98-5807	Rod	21	6	2
98-5618	Arm-Idler	33	22	1	98-5810	Rod	20	4	2
98-5621	Idler Arm Assembly	32	28	1	98-5811	Carrier Frame	21	12	1
98-5625	Pulley-Idler	33	12	1	98-5824	Bushing-Flange	33	6	4
98-5626	Pulley-Idler	32	43	1	98-5825	Spring-Traction Drive	33	29	1
98-5627	Steering Tower Assembly	2	4	1	98-5826	Pin-Roll	33	4	1
98-5633	Plate	11	14	1	98-5827	Screw-HH	35	44	2
98-5634	Support	24	19	2	98-5828	Screw-Socket Head	23	9	4
98-5638	Plate-Foot, LH	2	12	1	98-5829	Screw-Socket Head	23	12	4
98-5639	Plate-Foot, RH	2	3	1	98-5830	Nut-LH	28	12	2
98-5640	Rubber-Footplate	2	22	1	98-5831	Screw-Set	30	19	1
98-5641	Rubber-Footplate	2	23	1	98-5832	Bushing-Flange	29	1	2
98-5642	Fender	2	1	2	98-5833	Rod End-RH	17	2	2
98-5645	Plate-Seat	27	1	1	98-5833	Rod End-RH	20	2	2
98-5647	Spacer	16	7	1	98-5834	Rod End-LH	18	4	2
98-5648	Spacer	16	5	1	98-5834	Rod End-LH	21	4	2
98-5649	Hood	1	10	1	98-5834	Rod End-LH	17	10	2
98-5655	Screen-Hood	1	15	1	98-5834	Rod End-LH	20	10	2
98-5658	Shroud	35	49	1	98-5835	Bracket-CE, RH	2	19	1
98-5659	Spacer	1	16	2	98-5836	Spring	14	4	1
98-5661	Lever-Valve	14	2	1	98-5837	Washer	16	3	2
98-5664	Plate	14	5	1	98-5838	Nut-LH	18	5	2
98-5667	Cable	1	20	1	98-5838	Nut-LH	21	5	2
98-5668	Plate-Valve	14	23	1	98-5838	Nut-LH	20	22	2
98-5669	Bracket-CE, LH	2	*	1	98-5840	Pulley-Idler	32	38	1
98-5673	Plate-Electric	35	19	1	98-5843	Seal	1	21	1
98-5674	Pin-Lock	1	29	1	98-5844	Screw-Eye	26	16	1
98-5677	Harness-Wire	12	25	1	98-5845	Nut	11	21	2
98-5677	Harness-Wire, Main	13	*	1	98-5846	Washer	33	10	1
98-5678	Wire-Ground	35	10	1	98-5847	Clamp	3	32	1
98-5678	Wire-Ground	12	13	1	98-5848	Pin	19	32	1
98-5679	Wire	35	47	1	98-5983	Cover	16	8	1
98-5680	Plate-Switch	3	30	1	98-5994	Plate	16	29	1
98-5753	Tube	19	4	2	99-3300	Barrel	25	1	1

*Not Illustrated

TORO PART NUMBER INDEX (Cont.)

3322-432

Part No.	Description	Pg. No.	Ref. No.	Qty.	Part No.	Description	Pg. No.	Ref. No.	Qty.
99-3301	Rod	25	11	1	256-113	Bushing-Flange	8	42	2
99-3302	Head	25	9	1	256-115	Washer-Thrust	19	22	2
99-3303	Piston	25	3	1	256-115	Washer-Thrust	22	22	2
99-3304	Nut-Lock	25	2	1	256-285	Bushing-Flange	21	10	4
99-3305	Ring-Wiper	25	10	1	256-287	Bushing-Flange	4	29	2
99-3306	Seal-O-Ring	25	7	1	281-2	Plug-Pipe	7	35	3
99-3307	Seal-Rod	25	8	1	283-17	Pin-Clevis	14	7	1
99-3308	Seal-O-Ring	25	6	1	283-75	Pin-Clevis	19	29	4
99-3309	Seal-O-Ring	25	5	1	283-75	Pin-Clevis	22	29	4
99-3310	Seal Assembly-Piston	25	4	A/R	302-5	Fitting-Grease	33	5	2
99-3311	Kit-Seal Repair	25	*	A/R	302-5	Fitting-Grease	28	8	5
99-3313	Screw-Countersunk	28	15	2	302-5	Fitting-Grease	25	12	1
99-3317	Screw-HSH	19	18	2	302-5	Fitting-Grease	19	14	2
99-3317	Screw-HSH	22	18	2	302-5	Fitting-Grease	22	14	2
99-3322	LH Lift Arm Assembly	22	5	1	302-5	Fitting-Grease	24	14	1
99-3323	RH Lift Arm Assembly	22	*	1	302-5	Fitting-Grease	26	15	2
99-3324	RH Lift Arm Assembly	19	*	1	302-5	Fitting-Grease	24	16	1
99-3325	LH Lift Arm Assembly	19	5	1	302-5	Fitting-Grease	31	16	2
99-3326	Center Lift Arm Assembly	26	13	1	302-5	Fitting-Grease	17	17	2
99-3327	Engine Plate Assembly	35	35	1	302-5	Fitting-Grease	3	20	3
99-3328	Panel-Service	2	5	1	302-5	Fitting-Grease	30	22	2
99-3329	Frame Assembly	1	22	1	302-5	Fitting-Grease	32	22	2
99-3332	Spring	32	29	1	302-5	Fitting-Grease	29	25	2
100-0005	Screw-Set	24	35	1	302-5	Fitting-Grease	32	35	1
218-461	Nut-Hex.	11	11	1	302-60	Fitting-Grease	8	43	1
218-594	Fuse-20 Amp	13	1	1	321-2	Screw-HH	8	17	1
232-27	Stem-Valve	5	1	2	321-3	Screw-HH	16	42	2
232-47	Valve Stem	29	22	1	321-23	Screw-HH	14	11	4
233-37	Knob	14	1	1	322-3	Screw	16	23	2
233-37	Knob	4	16	1	322-4	Screw	26	11	1
237-21	O-Ring	14	8	2	322-6	Screw-HH	8	44	1
237-21	O-Ring	24	32	2	322-7	Screw-HH	8	34	2
237-22	O-Ring	8	9	2	322-10	Screw	5	19	2
237-22	O-Ring	14	10	2	322-11	Screw	27	2	4
237-22	O-Ring	16	34	2	323-6	Screw-HH	26	25	2
237-42	O-Ring	15	2	2	323-8	Screw	33	7	1
237-42	O-Ring	8	8	2	323-9	Screw-HH	23	3	3
237-42	O-Ring	14	16	2	323-12	Screw	26	20	1
237-71	O-Ring	16	24	1	323-13	Screw-HH	8	13	1
237-78	O-Ring	14	17	2	323-14	Screw-HH	8	32	2
237-78	O-Ring	24	30	2	323-16	Screw-HH	8	12	1
237-79	O-Ring	16	36	2	324-2	Screw	33	3	2
237-80	O-Ring	8	4	2	325-7	Screw-HH	18	9	2
237-80	O-Ring	16	20	2	325-14	Screw-HH	21	14	2
237-141	Grommet	1	19	4	3211-10	Screw	33	1	1
241-129	Rim-Wheel	29	26	1	3217-6	Nut	8	33	4
241-130	Spacer-Bearing	29	24	1	3219-2	Nut-Hex.	23	4	2
242-50	Nut	5	2	8	3229-11	Bolt-Carriage	31	26	1
242-71	Bolt-Wheel	5	5	8	3229-11	Bolt-Carriage	30	28	1
2412-36	Clamp-Hose	16	10	3	3230-3	Bolt-Carriage	3	29	1
2412-36	Clamp-Hose	35	37	1	3234-1	Screw	5	17	3
2412-129	Clamp-Hose	8	6	2	3234-32	Screw	26	5	1
2412-129	Clamp-Hose	16	18	2	3234-32	Screw-HH	30	15	4
2412-133	R-Clamp	16	16	2	3234-32	Screw-HH	31	29	4
251-77	Collar-Locking	31	18	2	3234-32	Screw-HHF	19	25	2
251-77	Collar-Locking	30	24	2	3234-32	Screw-HHF	22	25	2
251-77	Collar-Locking	32	24	2	3241-2	Screw-Set	8	21	2
251-291	Bearing-Pulley	34	8	1	3245-31	Screw-HS	33	15	2
251-292	Bearing-Field	34	2	1	3245-35	Screw-Set	5	*22	2
251-307	Bearing	8	35	2	3245-35	Screw-Set	31	19	2
251-321	Bearing-Ball	29	23	2	3245-35	Screw-Set	30	25	2
252-80	Washer-Thrust	7	16	4	3245-35	Screw-Set	32	25	2
256-1	Bushing-Sleeve	23	19	3	3246-4	Screw-Set	30	2	4
256-27	Bushing-Straight	3	15	2	3246-4	Screw-Set	31	11	4

*Not Illustrated

TORO PART NUMBER INDEX (Cont.)

Part No.	Description	Pg. No.	Ref. No.	Qty.	Part No.	Description	Pg. No.	Ref. No.	Qty.
3246-4	Screw-Set	32	13	4	3296-45	Nut-Lock	18	13	2
3250-35	Screw	12	8	2	3296-45	Nut-Lock	21	17	2
3250-46	Screw	8	26	2	3296-54	Nut-Lock	35	18	2
3253-3	Washer-Lock	8	18	1	3296-56	Nut	14	20	4
3253-3	Washer-Lock	16	41	2	3296-57	Nut-Lock	29	21	1
3253-3	Washer-Lock	7	41	8	32103-12	Nut-Wing	12	1	2
3253-4	Washer-Lock	27	3	4	32120-14	Ring-Retaining	31	1	1
3253-4	Washer-Lock	26	12	1	32120-14	Ring-Retaining	30	21	1
3253-4	Washer-Lock	19	20	2	32120-64	Ring-Snap	8	2	1
3253-4	Washer-Lock	22	20	2	32120-65	Ring-Retaining	32	11	1
3253-5	Washer-Lock	8	11	4	32120-93	Ring-Retaining	28	10	2
3254-5	Washer-Lock	11	10	1	32121-6	Pin-Roll	4	28	1
3255-5	Washer-Lock	8	15	3	32128-10	Nut-Lock HHF	31	22	1
3255-7	Washer-Lock, Ext. Tooth	35	11	2	32128-10	Nut-Lock HHF	30	29	1
3255-8	Washer-Lock	35	46	1	32144-19	Screw-Round Head	8	16	3
3256-1	Washer-Flat	12	2	2	32144-118	Screw	1	14	4
3256-4	Washer-Flat	23	2	3	32149-2	Nut-Hex	12	19	2
3256-4	Washer-Flat	33	8	1	33013-00	Nut	1	17	1
3256-6	Washer	26	6	1	33013-00	Nut-Hex.	24	13	2
3256-6	Washer-Flat	19	24	2	33014-00	Nut	4	7	2
3256-6	Washer-Flat	22	24	2	33014-00	Nut	28	14	4
3256-21	Washer-Flat	35	22	2	33014-00	Nut-Hex.	35	7	2
3256-24	Washer-Flat	26	10	2	33015-00	Nut	28	7	4
3256-26	Washer-Flat	18	10	4	33015-00	Nut	29	8	1
3256-26	Washer-Flat	3	10	1	33015-00	Nut	3	17	1
3256-26	Washer-Flat	21	13	4	33015-00	Nut-Hex.	26	29	1
3256-27	Washer-Flat	3	23	2	33018-00	Nut-Hex.	18	7	4
3256-28	Washer-Flat	29	20	2	33018-00	Nut-Hex.	21	7	4
3256-53	Washer-Flat	12	9	2	33018-00	Nut-RH	17	3	2
3256-55	Washer	8	19	1	33018-00	Nut-RH	20	3	2
3256-68	Washer	8	46	1	33023-00	Nut	35	20	2
3256-78	Washer	35	15	2	33023-00	Nut-Lock	11	7	2
3256-82	Washer	17	20	2	33023-00	Nut-Lock	1	12	6
3257-5	Key-Woodruff	8	22	1	33023-00	Nut-Lock	35	12	2
3257-24	Key-Woodruff	8	24	1	33023-00	Nut-Lock	12	28	2
3272-6	Pin-Cotter	14	22	1	33023-00	Nut-Lock	14	28	1
3272-11	Pin-Cotter	4	30	1	33024-00	Nut	4	6	2
3272-11	Pin-Cotter	32	31	1	33024-00	Nut	32	15	4
3272-17	Pin-Cotter	28	20	2	33024-00	Nut	28	17	2
3272-23	Pin-Cotter	24	8	2	33024-00	Nut-Lock	26	1	1
3272-23	Pin-Cotter	32	45	1	33024-00	Nut-Lock	3	6	1
3272-42	Pin-Cotter	4	8	1	33024-00	Nut-Lock	23	8	1
3290-355	Cotter-Hairpin	19	15	1	33024-00	Nut-Lock	23	8	5
3290-355	Cotter-Hairpin	22	15	1	33024-00	Nut-Lock	35	8	8
3290-379	Tie-Cable	35	17	2	33024-00	Nut-Lock	27	9	4
3290-392	Screw	35	30	2	33024-00	Nut-Lock	30	13	6
3290-467	Cotter-Hairpin	19	13	4	33024-00	Nut-Lock	17	14	2
3290-467	Cotter-Hairpin	22	13	4	33024-00	Nut-Lock	20	14	2
3296-6	Nut-Lock	34	9	3	33024-00	Nut-Lock	2	18	4
3296-9	Nut	8	31	2	33024-00	Nut-Lock	31	24	6
3296-9	Nut-Lock	12	12	2	33024-00	Nut-Lock	19	28	4
3296-23	Nut-Flange Lock	30	9	4	33025-00	Nut	28	3	9
3296-23	Nut-Lock NI	31	20	4	33025-00	Nut	2	10	6
3296-25	Nut	8	28	1	33025-00	Nut	12	16	1
3296-25	Nut-Lock	3	9	1	33025-00	Nut-Lock	3	3	1
3296-29	Nut-Lock	5	4	2	33025-00	Nut-Lock	29	6	5
3296-29	Nut-Lock	3	33	1	33025-00	Nut-Lock	5	7	2
3296-29	Nut-Lock	8	39	2	33025-00	Nut-Lock	24	11	4
3296-33	Nut-Lock	3	22	2	33026-00	Nut-Lock	5	16	4
3296-39	Nut	33	9	1	33028-00	Nut	28	4	2
3296-39	Nut	14	25	1	33028-00	Nut-Lock	24	3	2
3296-39	Nut-Lock	23	1	3	33093-00	Washer	1	6	6
3296-39	Nut-Lock	26	9	1	33093-00	Washer	2	6	16
3296-39	Nut-Lock	26	26	2	33093-00	Washer-Flat	35	2	4

*Not Illustrated

TORO PART NUMBER INDEX (Cont.)

3322-432

Part No.	Description	Pg. No.	Ref. No.	Qty.	Part No.	Description	Pg. No.	Ref. No.	Qty.
33093-00	Washer-Flat	11	4	4	33114-016	Screw-HH	21	1	2
33093-00	Washer-Flat	14	21	5	33114-016	Screw-HH	24	5	3
33093-00	Washer-Flat	17	22	2	33114-016	Screw-HH	26	23	1
33093-00	Washer-Flat	12	27	4	33114-016	Screw-HH	32	40	1
33094-00	Washer	27	8	4	33114-020	Screw	33	13	2
33094-00	Washer	31	14	9	33114-020	Screw-HH	16	14	2
33094-00	Washer	17	15	2	33114-020	Screw-HH	2	21	4
33094-00	Washer	20	15	2	33114-020	Screw-HH	32	42	1
33094-00	Washer	28	16	2	33114-025	Screw-HH	26	4	1
33094-00	Washer-Flat	26	2	3	33114-025	Screw-HH	35	4	1
33094-00	Washer-Flat	30	4	12	33114-030	Screw	20	13	2
33094-00	Washer-Flat	3	5	2	33114-030	Screw-HH	32	1	3
33094-00	Washer-Flat	35	5	8	33114-030	Screw-HH	23	6	1
33094-00	Washer-Flat	24	6	3	33114-030	Screw-HH	19	26	4
33094-00	Washer-Flat	23	7	10	33114-035	Screw	16	2	1
33094-00	Washer-Flat	23	7	2	33114-040	Screw	30	3	3
33094-00	Washer-Flat	16	15	2	33114-040	Screw	28	13	2
33094-00	Washer-Flat	32	16	4	33114-040	Screw-HH	31	34	3
33094-00	Washer-Flat	2	20	4	33114-045	Screw-HH	35	6	4
33094-00	Washer-Flat	19	27	4	33114-060	Screw	27	6	4
33095-00	Washer	28	2	26	33114-060	Screw-HH	3	4	1
33095-00	Washer	2	9	6	33114-070	Screw-HH	32	32	1
33095-00	Washer	4	9	1	33114-080	Screw	17	13	2
33095-00	Washer	12	17	1	33114-080	Screw-HH	35	9	4
33095-00	Washer	26	28	1	33114-100	Screw	16	4	1
33095-00	Washer-Flat	3	2	2	33115-020	Screw	2	8	2
33095-00	Washer-Flat	29	5	10	33115-025	Screw-HH	29	3	1
33095-00	Washer-Flat	5	8	2	33115-025	Screw-HH	5	9	2
33095-00	Washer-Flat	24	9	8	33115-025	Screw-HH	22	16	4
33096-00	Washer	33	2	2	33115-030	Screw	2	14	4
33096-00	Washer	5	15	8	33115-030	Screw-HH	24	10	4
33096-00	Washer-Flat	19	19	2	33115-040	Screw	28	11	4
33096-00	Washer-Flat	22	19	2	33115-040	Screw-HH	19	16	4
33098-00	Washer	28	5	2	33115-045	Screw	3	1	1
33098-00	Washer	4	10	1	33115-045	Screw	28	6	1
33098-00	Washer-Flat	24	4	2	33115-050	Screw-HH	29	4	1
33098-00	Washer-Flat	32	30	1	33115-090	Screw	28	1	4
33113-008	Screw	12	22	2	33115-100	Bolt	29	12	2
33113-016	Screw	12	7	2	33116-045	Screw-HH	5	14	4
33113-016	Screw	2	7	16	33118-160	Screw-HH	24	1	2
33113-016	Screw-HH	24	12	1	33124-035	Screw-Carriage	31	13	3
33113-020	Screw	1	11	2	33124-035	Screw-Carriage	30	17	3
33113-020	Screw	35	14	2	33124-035	Screw-Carriage	32	17	3
33113-020	Screw-HH	11	3	4	33125-090	Screw	12	20	1
33113-020	Screw-HH	12	26	2	340-3	Fitting-Hydraulic	16	35	1
33113-040	Screw	1	18	2	340-18	Fitting-Hydraulic	16	38	1
33113-045	Screw-HH	14	3	1	340-77	Fitting-Hydraulic	14	15	2
33113-050	Screw-HH	35	1	2	340-77	Fitting-Hydraulic	8	23	2
33114-016	Screw	17	5	2	340-92	Fitting-Hydraulic	14	24	1
33114-016	Screw	20	5	2	340-132	Fitting-Hydraulic	14	13	1
33114-016	Screw	17	11	2	340-132	Fitting-Hydraulic	24	31	2
33114-016	Screw-HH	18	1	2					

*Not Illustrated

PRODUCT CHANGES

In an effort to make improvements available to TORO owners as quickly as possible, minor changes are incorporated into Toro's products from time to time that do not become immediately shown in the Parts Catalog. If such a change has been made in your unit, which is not reflected in your manual, see your TORO Distributor or his Authorized TORO Service Dealer for information and part numbers.

IDENTIFICATION AND ORDERING

MODEL AND SERIAL NUMBERS

The Grounds Pro 2000 has two identification numbers; a model number and a serial number. The two numbers are stamped on a plate which is attached to the frame. In any correspondence concerning the Grounds Pro 2000, supply model and serial numbers to assure that correct information and replacement parts are obtained.

To order replacement parts from an Authorized TORO Service Dealer, supply the following information:

1. Model and serial number of the Grounds Pro 2000.
2. Part number, description, and the quantity of part(s) desired.

NOTE: Do not order by reference number if a parts catalog is being used; use the PART NUMBER.

TABLE OF CONTENTS

Description	Page	Description	Page
Hood & Frame Assembly	1	Center Suspension	
Control Panel, Footrest and Fenders	2	(Floating Cutting Unit Model 02101)	21
Steering Assembly	3	Front Lift (Floating Cutting Unit Model 02101)	22
Traction Linkage	4	Lift Cable & Pulleys	23
Front Axle Assembly	5	Front Lift System	24
Axle Assembly No. 98-5327	6-7	Hydraulic Cylinder No. 98-5441	25
Transmission Assembly	8	Center Lift (Fixed & Floating Cutting Units	
Hydrostatic Transmission Assembly		Models 02100 & 02101)	26
No. 98-0777	9-10	Seat Mounting Assembly	27
Controls Assembly	11	Rear Two Wheel Axle (Model No. 02001)	28
Battery Assembly	12	Single Rear Wheel Assembly	
Electrical Schematic	13	(Model No. 02002)	29
Lift Valve Assembly	14	Counter Shaft Assembly	30-31
Valve Assembly No. 43-1710	15	Upper Shaft Assembly	32
Fuel Tank & Hydraulic Reservoir Assembly	16	Drive Assembly	33
Front Suspension		Clutch Assembly No. 98-5308	34
(Fixed Cutting Unit Model 02100)	17	Engine & Exhaust Assembly	35
Center Suspension		Engine Briggs & Stratton	
(Fixed Cutting Unit Model 02100)	18	Model 303447-1282-E1	36-46
Front Lift (Fixed Cutting Unit Model 02100)	19	Toro Part Number Index	47-53
Front Suspension			
(Floating Cutting Unit Model 02101)	20		

