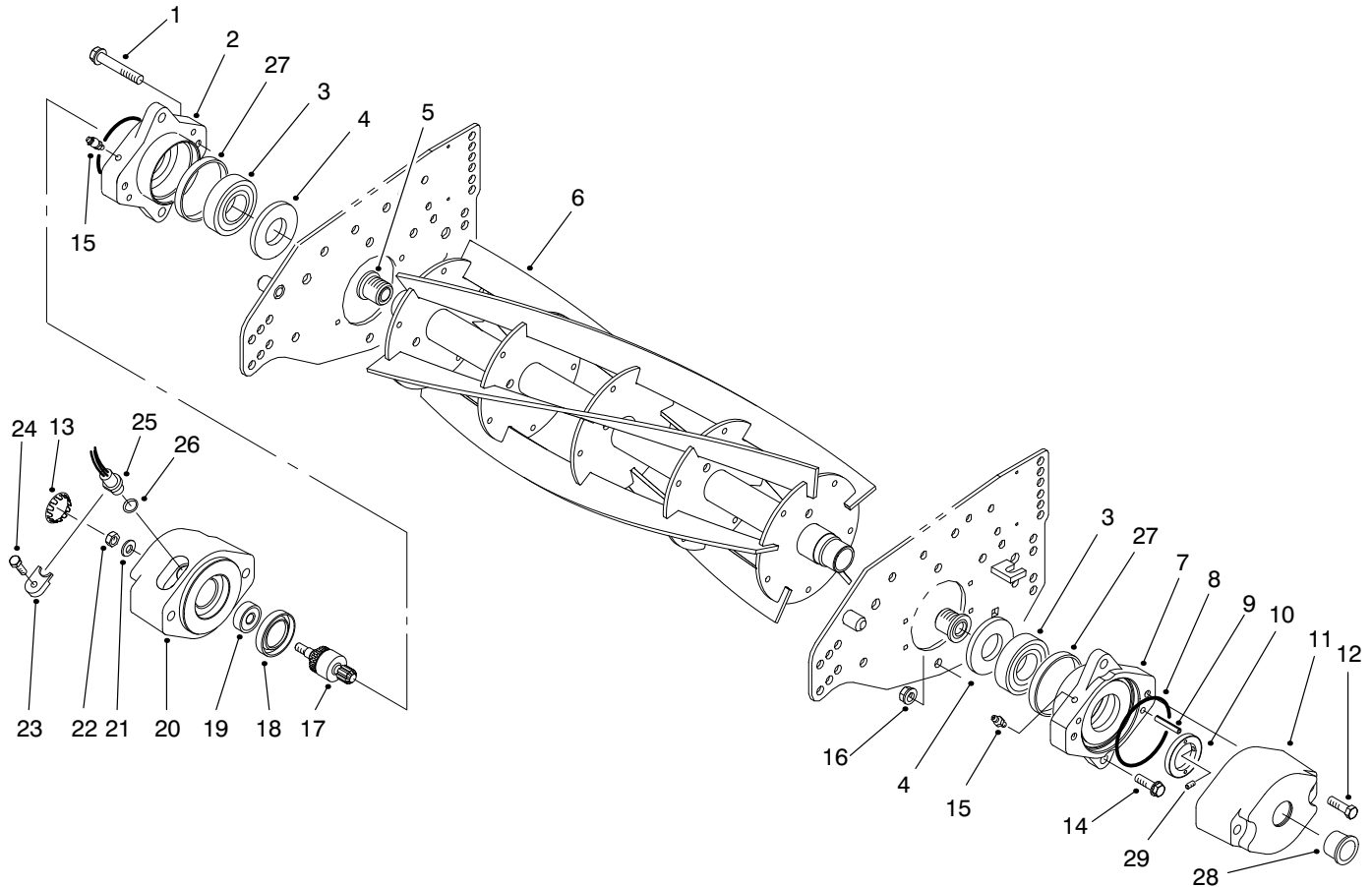




MODEL NO. 03857-80302 & UP
 MODEL NO. 03858-81419 & UP
 MODEL NO. 03859-81993 & UP

**PARTS
 CATALOG**

**5/7/11 BLADE REELS
 REELMASTER® 6500D/6700D**



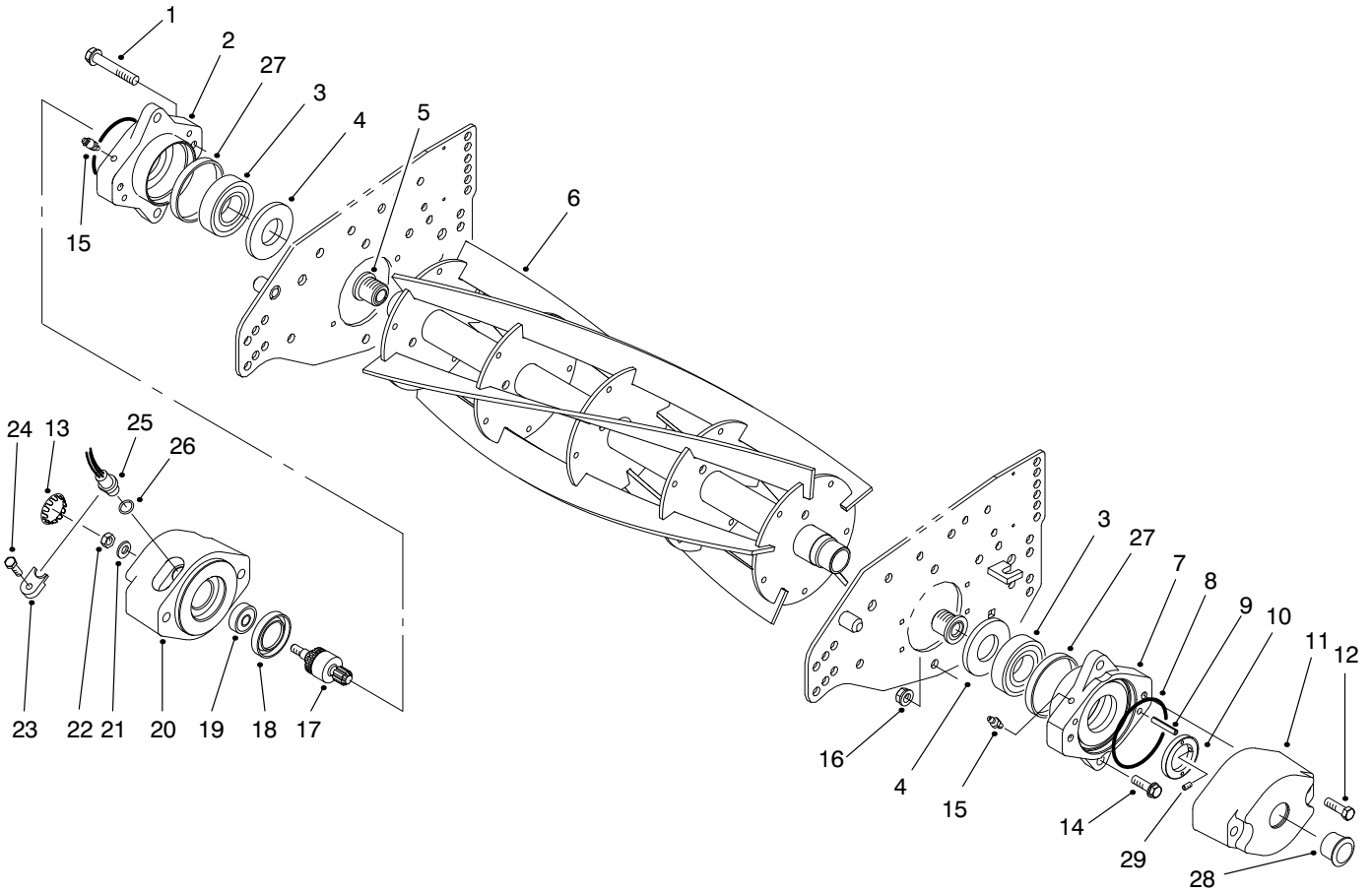
T-1979-5

REEL & BEARING HOUSING ASSEMBLY

Ref. No.	Part No.	Description	No. Used
1	33105-060	Screw - HHF	2
2	93-9794	Housing - Bearing, RH (Incl. Ref. #27)	1
3	93-2489	Bearing	2
4	94-8908	Seal - Grease	2
5	94-2732	Insert - Threaded RH	1
*	94-2733	Insert - Threaded LH	1
6	94-4337	5 Blade Reel Assembly Model 03857 (Incl. Ref. #5)	1
*	95-2770	7 Blade Reel Assembly Model 03858 (Incl. Ref. #5)	1
*	94-4338	11 Blade Reel Assembly Model 03859 (Incl. Ref. #5)	1

Ref. No.	Part No.	Description	No. Used
7	93-9795	Housing - Bearing, LH (Incl. Ref. #27)	1
8	93-9783	O-Ring (Shipped with Traction Unit)	10
9	32121-69	Pin - Roll	4
10	95-2793	Nut - Bearing Adj.	1
11	94-4347	Weight - End (Shipped with Traction Unit)	3
12	93-7522	Screw - HH	2
13	93-3094	Plug - Cap	1
14	33105-030	Screw - HHF	4
15	302-5	Fitting - Grease, Straight	2
16	33025-00	Nut - Lock	4
17	93-3085	Asm. - Shaft, Magnet	1
18	253-165	Seal - Outer	1
19	93-2956	Bearing	1
20	93-3080	Weight - Housing, End	1

*Not Illustrated

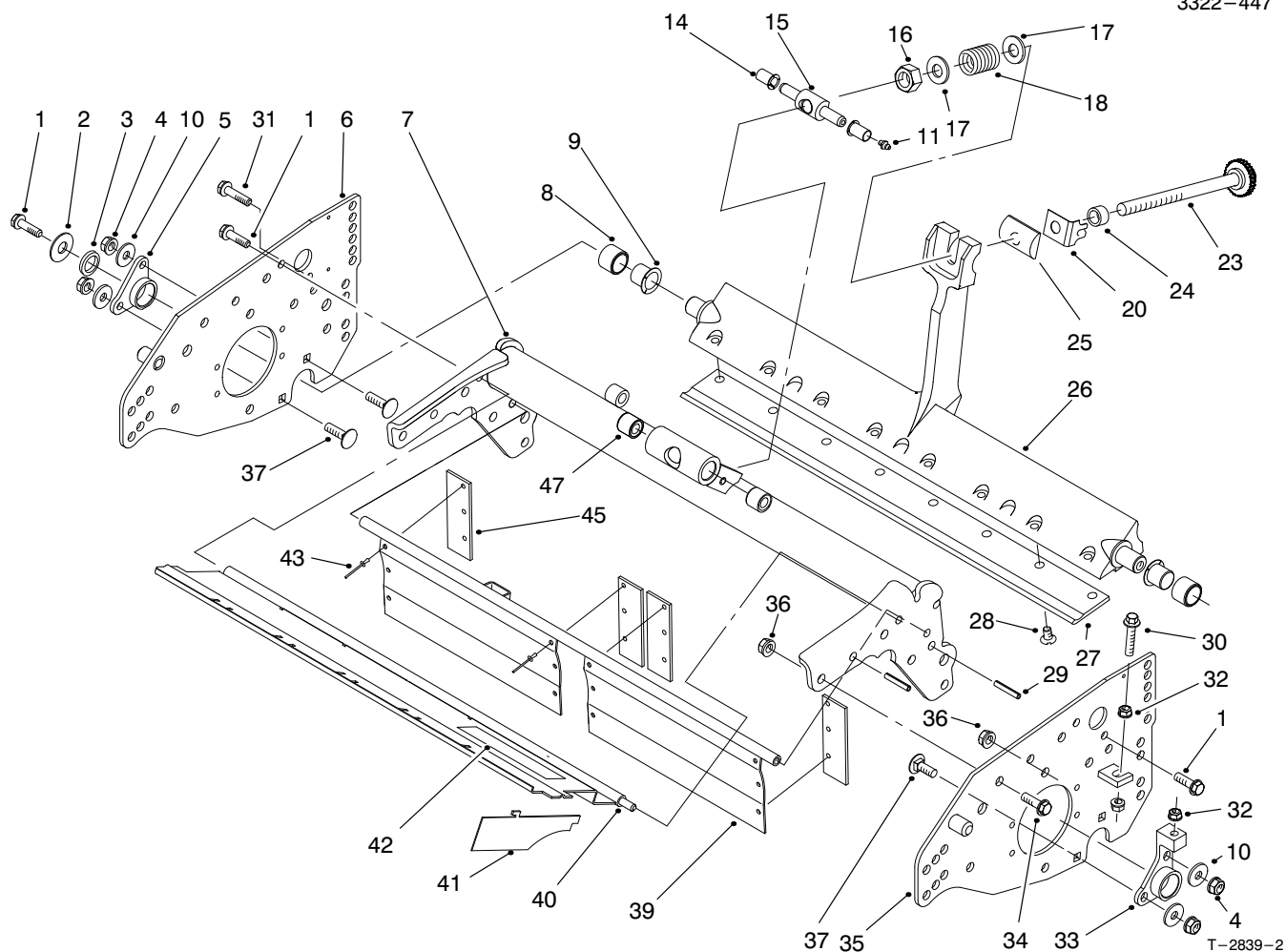


T-1979-5

REEL & BEARING HOUSING ASSEMBLY (Continued)

Ref. No.	Part No.	Description	No. Used
21	3256-23	Washer - Flat	1
22	33024-00	Nut - Lock	1
23	93-3088	Clamp (Shipped with Traction Unit)	2
24	33103-020	Screw - HH (Shipped with Traction Unit)	2

Ref. No.	Part No.	Description	No. Used
25	94-6980	Sensor - Speed (Shipped with Traction Unit)	2
26	237-30	O-Ring (Shipped with Traction Unit)	2
27	93-2922	Ring - Bearing	2
28	93-8717	Plug	1
29	3245-42	Screw - Set	1

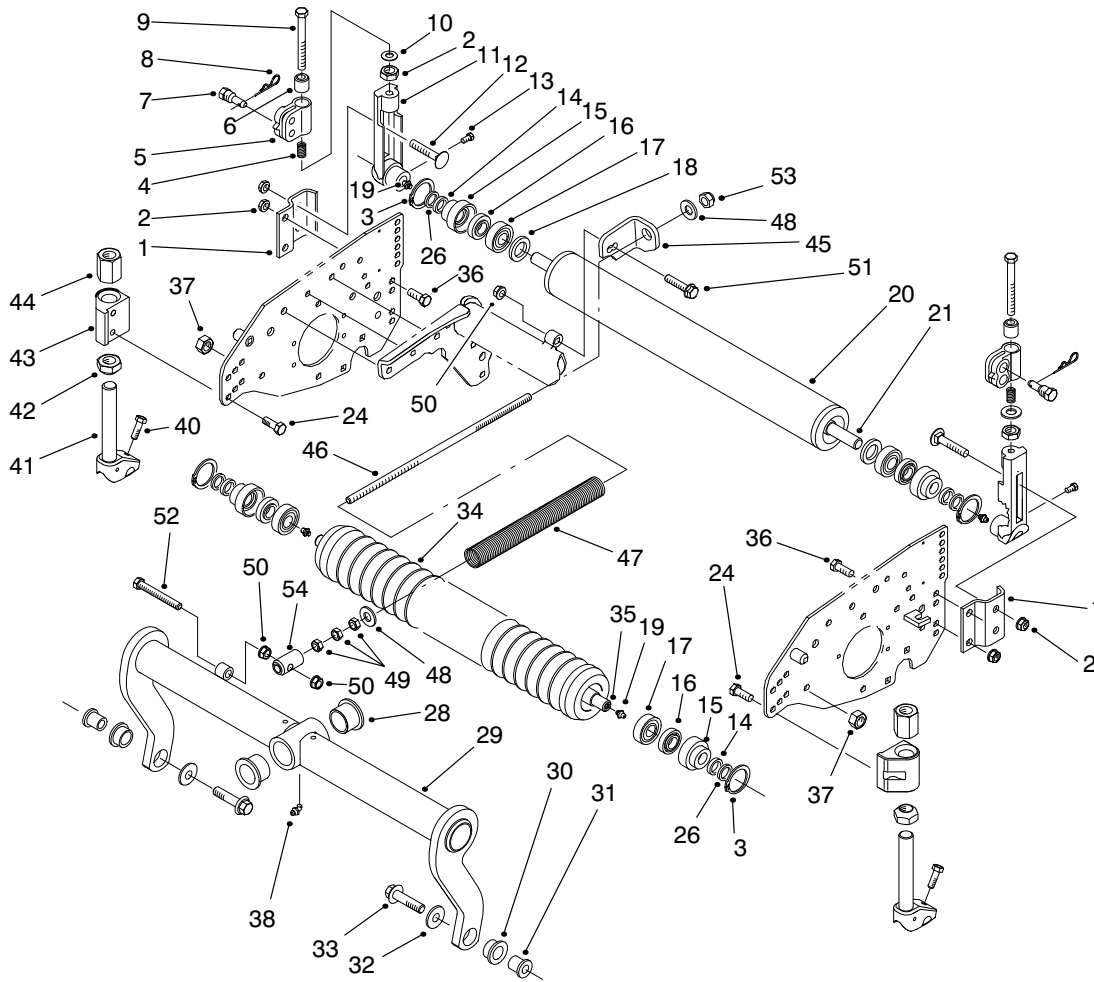


T-2839-2

FRAME & BEDBAR ASSEMBLY

Ref. No.	Part No.	Description	No. Used	Ref. No.	Part No.	Description	No. Used
1	33104-020	Screw - HHF	3	27	98-3994	Bedknife - 2.200 (5.59 cm)	
2	3256-82	Washer	1	*	93-9774	Bedknife - 2.235" (5.68 cm) (Optional)	1
3	93-7510	Ring - Quad	1	*	94-8936	Bedknife - 2.535" (6.44 cm) (Optional)	1
4	33024-00	Nut - Lock	4	28	57-4910	Screw - Special	8
5	93-2513	Pivot Hub RH	1	29	32121-36	Pin - Roll	4
6	93-2981	Sideplate - RH	1	30	94-3489	Screw	1
7	98-7971	Reel Frame	1	31	33104-040	Screw - HHF	1
8	93-7501	Bushing Assembly	2	32	33004-00	Nut - Flange	3
9	93-7502	Bushing - Flange	2	33	93-2512	Pivot Hub LH	1
10	33094-00	Washer - Flat	4	34	33105-025	Screw - HHF	8
11	302-18	Fitting - Grease, Str.	1	35	93-2982	Sideplate - LH	1
14	52-2890	Bushing - Plastic	2	36	33025-00	Nut - Lock	8
15	57-5260	Pivot Screw Adj.	1	37	94-2738	Screw - Carriage	4
16	3296-62	Nut - Lock	1	39	98-3998	Rear Grass Shield	1
17	29-8910	Washer	2	40	98-7978	Asm. - Grass Shield (Incl. Ref. #42)	1
18	95-0772	Spring - Compression	1	41	93-9759	Deflector - Grass Shield	5
20	95-8752	Arm - Spring	1	42	93-6688	Decal - Danger	1
23	95-2762	Bedbar Adjuster Assy.	1	42	94-4584	Decal - Danger (Japanese)	1
24	93-2959	Spacer - Adjuster	1	43	700382	Rivet	14
25	93-2892	Pivot - Bedbar, Man. Adj.	1	45	98-3999	Flap - Side	4
26	95-3458	Bedbar	1	47	62-5510	Bushing	2

*Not Illustrated



T-2840-3

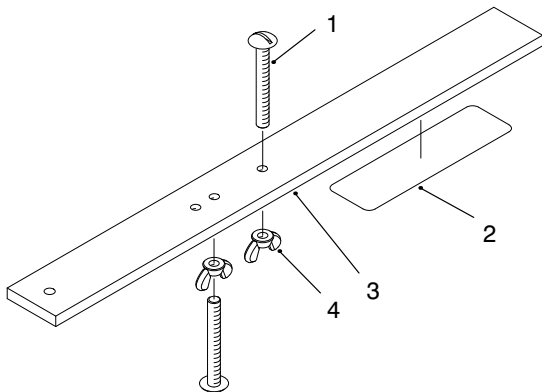
ROLLERS & CARRIER FRAME ASSEMBLY

Ref. No.	Part No.	Description	No. Used	Ref. No.	Part No.	Description	No. Used
1	61-0910	Bracket - Angle	2	33	94-2702	Bolt	2
2	33025-00	Nut - Lock	8	34	94-4336	Roller - Wiehle	1
3	32120-62	Snap Ring	4	35	94-4329	Shaft - Wiehle Roller	1
4	93-2921	Spring - Compression HOC	2	36	33105-025	Screw - HHF	4
5	93-2902	Support - HOC, Rear	2	37	94-4307	Nut - Lock	2
6	94-4344	Spacer	2	38	302-60	Fitting - Grease, 90°	1
7	93-2906	Pin - HOC	2	40	33114-025	Screw - HH	2
8	3290-467	Pin - Cotter, Hair	2	41	95-2783	Support Rod Assembly	2
9	93-7500	Screw - HH	2	42	95-2789	Nut - Special	2
10	93-7509	Washer - Special	2	43	95-7733	Bracket - HOC	2
11	93-2904	Bracket - HOC, Rear	2	44	95-2790	Nut - Special, Long	2
12	33125-030	Screw - Carriage	2	45	99-8669	Bracket - Spring	1
13	93-9757	Screw - HH	2	46	99-8661	Rod - Spring	1
14	253-70	Seal - Oil	4	47	92-7768	Spring - Compression	1
15	93-1252	Seal - Outer	4	48	65-6390	Washer - Hardened	2
16	93-1251	Seal - Inner	4	49	3218-5	Nut - Hex.	3
17	109966	Bearing - Ball	4	50	3296-39	Nut - Lock NI	3
18	93-3007	Seal - Oil	4	51	3234-19	Screw - HHF	1
19	302-5	Fitting - Grease, Straight	4	52	99-8664	Screw - Special	1
20	98-3706	Tube Assy. - Rear Roller	1	53	3296-23	Nut - Lock NI	1
21	94-4328	Shaft - Rear Roller	1	54	99-8665	Tube - Spring	1
24	33115-016	Screw - HH	4	*	98-7966	Rear Roller Assembly (Incl. Ref. #3, 14-21 & 26)	1
26	93-2931	Washer - Roller	4	*	94-4330	Wiehle Roller Assembly (Incl. Ref. #3, 14-19, 26 & 34-35)	1
28	94-1291	Bushing - Special	2	*	98-7973	Carrier Frame Assembly (Incl. Ref. #28, 30 & 38)	1
29	98-7972	Carrier Frame Assembly	1				
30	93-2877	Bushing	2				
31	98-1885	Spacer - Frame	2				
32	94-2701	Washer - Hardened	2				

*Not Illustrated

SPECIAL TOOLS

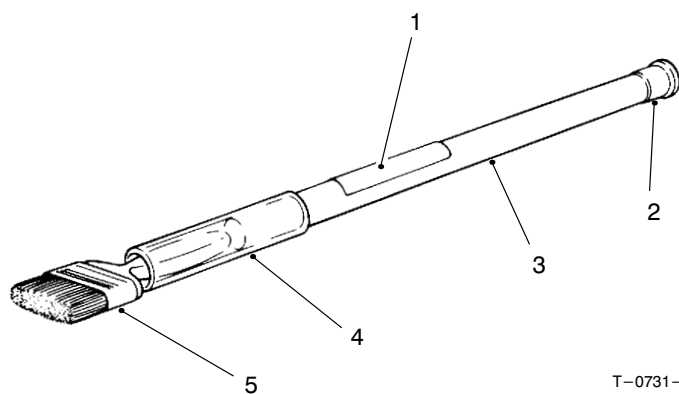
GAUGE BAR ASSEMBLY NO. 98-1852



Ref. No.	Part No.	Description	No. Used
1	32122-54	Screw – Mach. Slot. Hd.	2
2	98-7976	Decal	1
3		Bar	1
4	32103-3	Nut – Wing	2

T-2933-1

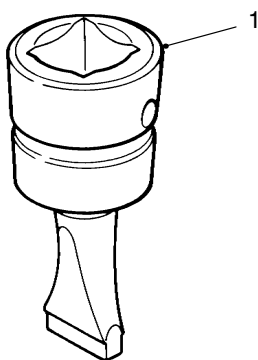
BACKLAPPING BRUSH ASSEMBLY NO. *TOR299100



Ref. No.	Part No.	Description	No. Used
1	12-9140	Decal	1
2	2410-18	Plug	1
3	29-9080	Handle	1
4	29-9090	Hose – Handle	1
5	36-4310	Brush	1

T-0731-1

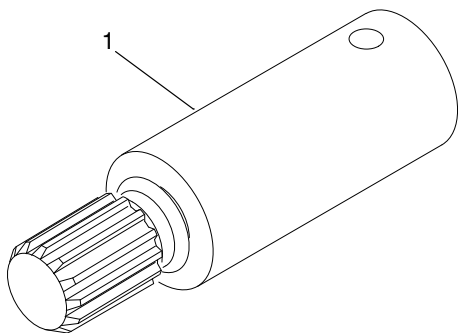
BEDKNIFE SCREW TOOL NO. *TOR510880



Ref. No.	Part No.	Description	No. Used
1		Tool – Bedknife Screw	1

T-0729-1

REEL DRIVE SHAFT NO. *TOR4074



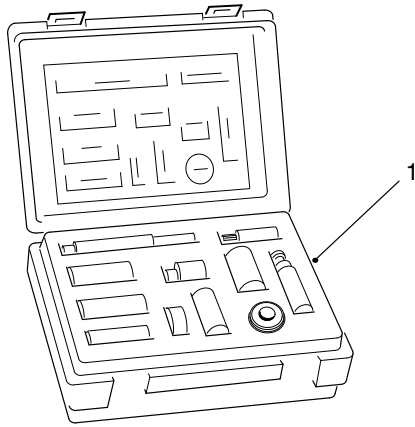
Ref. No.	Part No.	Description	No. Used
1		Shaft – Reel Drive	1

T-2383-2

*Obtain these items directly from OTC 2013 4th St. Owatonna, MN. 55060 1-800-533-0492
(in Minnesota and Canada 1-507-455-7050) Fax. 507-455-7011.

SPECIAL TOOLS

CUTTING UNIT TOOL KIT NO. *TOR4070



T-2676

Ref. No.	Part No.	Description	No. Used
1	*TOR 4064	Spanner Wrench	1
	*TOR4065	Inner Oil Seal Installer	1
	*TOR4066	Bearing Installer	1
	*TOR4067	Shaft Support Tool	1
	*TOR4068	Inner Seal Installer	1
	*TOR4069	Outer Seal Installer	1
	*TOR4071	Outer Oil Seal Installer	1
	*TOR4072	Reel Motor Shaft Seal Protector	1
	*TOR4073	Handle	1
	*TOR4074	Spline Insert Tool	1

*Obtain these items directly from OTC 2013 4th St. Owatonna, MN. 55060 1-800-533-0492
(in Minnesota and Canada 1-507-455-7050) Fax. 507-455-7011.

TORO PART NUMBER INDEX

3322-447

Part No.	Description	Pg. No.	Ref. No.	Qty.	Part No.	Description	Pg. No.	Ref. No.	Qty.
109966	Bearing – Ball	4	17	4	94-6980	Sensor – Speed	2	25	2
700382	Rivet	3	43	14	94-8908	Seal – Grease	1	4	2
12-9140	Decal	5	1	1	94-8936	Bedknife – 2.535, (6.44 cm)	3	*	1
29-8910	Washer	3	17	2	95-0772	Spring – Compression	3	18	1
29-9080	Handle	5	3	1	95-2762	Bedbar Adjuster Assy.	3	23	1
29-9090	Hose – Handle	5	4	1	95-2770	7 Blade Reel Assembly	1	*	1
36-4310	Brush	5	5	1	95-2783	Support Rod Assembly	4	41	2
52-2890	Bushing – Plastic	3	14	2	95-2789	Nut – Special	4	42	2
57-4910	Screw – Special	3	28	8	95-2790	Nut – Special, Long	4	44	2
57-5260	Pivot Screw Adj.	3	15	1	95-2793	Nut – Bearing Adj.	1	10	1
61-0910	Bracket – Angle	4	1	2	95-3458	Bedbar	3	26	1
62-5510	Bushing	3	47	2	95-7733	Bracket – HOC	4	43	2
65-6390	Washer–Hardened	4	48	2	95-8752	Arm – Spring	3	20	1
92-7768	Spring–Compression	4	47	1	98-1885	Spacer – Frame	4	31	2
93-1251	Seal – Inner	4	16	4	98-3706	Tube Assy. – Rear Roller	4	20	1
93-1252	Seal – Outer	4	15	4	98-3994	Bedknife – 2.200 (5.59 cm)	3	27	
93-2489	Bearing	1	3	2	98-3998	Rear Grass Shield	3	39	1
93-2512	Pivot Hub LH	3	33	1	98-3999	Flap – Side	3	45	4
93-2513	Pivot Hub RH	3	5	1	98-7966	Rear Roller Assembly	4	*	1
93-2877	Bushing	4	30	2	98-7971	Reel Frame	3	7	1
93-2892	Pivot – Bedbar, Man. Adj.	3	25	1	98-7972	Carrier Frame Assembly	4	29	1
93-2902	Support – HOC, Rear	4	5	2	98-7973	Carrier Frame Assembly	4	*	1
93-2904	Bracket – HOC, Rear	4	11	2	98-7976	Decal	5	2	1
93-2906	Pin – HOC	4	7	2	98-7978	Asm. – Grass Shield	3	40	1
93-2921	Spring – Compression HOC	4	4	2	99-8661	Rod–Spring	4	46	1
93-2922	Ring – Bearing	2	27	2	99-8664	Screw–Special	4	52	1
93-2931	Washer – Roller	4	26	4	99-8665	Tube–Spring	4	54	1
93-2956	Bearing	1	19	1	99-8669	Bracket–Spring	4	45	1
93-2959	Spacer – Adjuster	3	24	1	237-30	O–Ring	2	26	2
93-2981	Sideplate – RH	3	6	1	2410-18	Plug	5	2	1
93-2982	Sideplate – LH	3	35	1	253-70	Seal – Oil	4	14	4
93-3007	Seal – Oil	4	18	4	253-165	Seal – Outer	1	18	1
93-3080	Weight – Housing, End	1	20	1	302-5	Fitting – Grease, Straight	1	15	2
93-3085	Asm. – Shaft, Magnet	1	17	1	302-5	Fitting – Grease, Straight	4	19	4
93-3088	Clamp	2	23	2	302-18	Fitting – Grease, Str.	3	11	1
93-3094	Plug – Cap	1	13	1	302-60	Fitting – Grease, 90°	4	38	1
93-6688	Decal – Danger	3	42	1	3218-5	Nut–Hex.	4	49	3
93-7500	Screw – HH	4	9	2	3234-19	Screw–HHF	4	51	1
93-7501	Bushing Assembly	3	8	2	3245-42	Screw – Set	2	29	1
93-7502	Bushing – Flange	3	9	2	3256-23	Washer – Flat	2	21	1
93-7509	Washer – Special	4	10	2	3256-82	Washer	3	2	1
93-7510	Ring – Quad	3	3	1	3290-467	Pin – Cotter, Hair	4	8	2
93-7522	Screw – HH	1	12	2	3296-23	Nut–Lock NI	4	53	1
93-8717	Plug	2	28	1	3296-39	Nut–Lock NI	4	50	3
93-9757	Screw – HH	4	13	2	3296-62	Nut – Lock	3	16	1
93-9759	Deflector – Grass Shield	3	41	5	32103-3	Nut – Wing	5	4	2
93-9774	Bedknife – 2.235, (5.68 cm)	3	*	1	32120-62	Snap Ring	4	3	4
93-9783	O–Ring	1	8	10	32121-36	Pin – Roll	3	29	4
93-9794	Housing – Bearing, RH	1	2	1	32121-69	Pin – Roll	1	9	4
93-9795	Housing – Bearing, LH	1	7	1	32122-54	Screw – Mach. Slot. Hd.	5	1	2
94-1291	Bushing – Special	4	28	2	33004-00	Nut – Flange	3	32	3
94-2701	Washer – Hardened	4	32	2	33024-00	Nut – Lock	3	4	4
94-2702	Bolt	4	33	2	33024-00	Nut – Lock	2	22	1
94-2732	Insert – Threaded RH	1	5	1	33025-00	Nut – Lock	4	2	8
94-2733	Insert – Threaded LH	1	*	1	33025-00	Nut – Lock	1	16	4
94-2738	Screw – Carriage	3	37	4	33025-00	Nut – Lock	3	36	8
94-3489	Screw	3	30	1	33094-00	Washer – Flat	3	10	4
94-4307	Nut – Lock	4	37	2	33103-020	Screw – HH	2	24	2
94-4328	Shaft – Rear Roller	4	21	1	33104-020	Screw – HHF	3	1	3
94-4329	Shaft – Wiehle Roller	4	35	1	33104-040	Screw – HHF	3	31	1
94-4330	Wiehle Roller Assembly	4	*	1	33105-025	Screw – HHF	3	34	8
94-4336	Roller – Wiehle	4	34	1	33105-025	Screw – HHF	4	36	4
94-4337	5 Blade Reel Assembly	1	6	1	33105-030	Screw – HHF	1	14	4
94-4338	11 Blade Reel Assembly	1	*	1	33105-060	Screw – HHF	1	1	2
94-4344	Spacer	4	6	2	33114-025	Screw – HH	4	40	2
94-4347	Weight – End	1	11	3	33115-016	Screw – HH	4	24	4
94-4584	Decal – Danger (Japanese)	3	42	1	33125-030	Screw – Carriage	4	12	2

*Not Illustrated

