



EN PowerPlex 24in 40V MAX Hedge Trimmer

51491 , 51491T

**ES Cortasetos PowerPlex 40 V MAX de 61 cm
(24")**

51491 , 51491T

FR Taille-haie PowerPlex 61 cm (24 po) 40 V MAX

51491 , 51491T





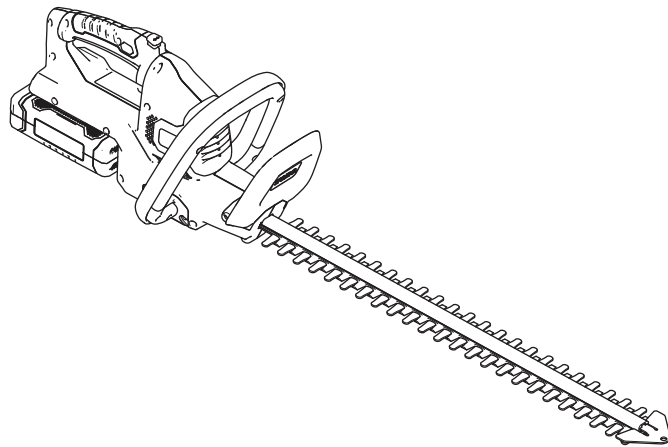
Count on it.

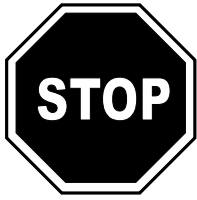
Operator's Manual

PowerPlex 24in 40V MAX Hedge Trimmer

Model No. 51491—Serial No. 319000001 and Up

Model No. 51491T—Serial No. 319000001 and Up





If you have questions or problems, call toll free 1-800-237-2654 (US) or 1-800-248-3258 (Canada) before returning this product.

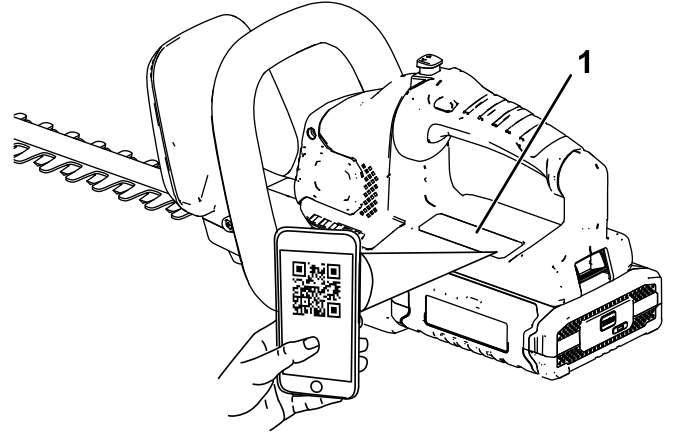
▲ WARNING

**CALIFORNIA
Proposition 65 Warning**

The power cord on this product contains lead, a chemical known to the State of California to cause birth defects or other reproductive harm. Wash hands after handling.

Use of this product may cause exposure to chemicals known to the State of California to cause cancer, birth defects, or other reproductive harm.

Important: With your mobile device, you can scan the QR code (if equipped) on the serial number plate to access warranty, parts, and other product information.



g263352

Figure 1

1. Model and serial number location

Introduction

This hedge trimmer is intended to be used by residential homeowners to maintain bushes and hedges. It is designed to use only battery pack Model 88540 (provided with Model 51491) or 88541.

Read this information carefully to learn how to operate and maintain your product properly and to avoid injury and product damage. You are responsible for operating the product properly and safely.

You may contact Toro directly at www.Toro.com for product and accessory information, help finding a dealer, complete warranty details, or to register your product.

Model 51491T does not include a battery or a charger.

Safety

▲ WARNING

Failure to follow all warnings and instructions may result in electric shock, fire and/or serious personal injury.

Read all safety warnings and all instructions.

Save all warnings and instructions for future reference.

The term “power tool” in the warnings refer to your mains-operated (corded) power tool or battery-operated (cordless) power tool.

1. Work area safety

- A. **Keep the work area clean and well lit.** *Cluttered or dark areas invite accidents.*
- B. **Do not operate power tools in explosive atmospheres, such as in the presence of flammable liquids, gasses, or dust.** *Power tools create sparks, which may ignite the dust or fumes.*
- C. **Keep children and bystanders away while operating a power tool.** *Distractions can cause you to lose control.*
- D. **Avoid dangerous environments.** *Do not use appliances in damp or wet locations.*

2. Personal safety

- A. **Stay alert; watch what you are doing and use common sense when operating a power tool. Do not use a power tool while you are tired or under the influence of drugs, alcohol, or medication.** *A moment of inattention while operating power tools may result in serious personal injury.*
- B. **Use personal protective equipment. Always wear eye protection.** *Protective equipment such as a dust mask, non-skid safety shoes, a hard hat, or hearing protection used for appropriate conditions will reduce personal injuries.*
- C. **Prevent unintentional starting. Ensure that the switch is in the OFF position before connecting to a power source and/or battery pack and picking up or carrying the tool.** *Carrying power tools with your finger on the switch or energizing power tools that have the switch on invites accidents.*
- D. **Remove any adjusting key or wrench before turning on the power tool.** *A wrench or a key left attached to a rotating*

part of the power tool may result in personal injury.

- E. **Do not overreach. Keep proper footing and balance at all times.** *This enables better control of the power tool in unexpected situations.*
- F. **Dress properly. Do not wear loose clothing or jewelry. Keep your hair tied back and your clothing and gloves away from moving parts.** *Loose clothes, jewelry, or long hair can be caught in moving parts.*
- G. **If devices are provided for the connection of dust extraction and collection facilities, ensure that these are connected and properly used.** *Use of dust collection can reduce dust-related hazards.*

3. Power tool use and care

- A. **Do not force the power tool. Use the correct power tool for your application.** *The correct power tool will do the job better and safer at the rate for which it was designed.*
- B. **Do not use the power tool if the switch does not turn it on and off.** *Any power tool that cannot be controlled with the switch is dangerous and must be repaired.*
- C. **Disconnect the plug from the power source and/or the battery pack from the power tool before making any adjustments, changing accessories, or storing power tools.** *Such preventive safety measures reduce the risk of starting the power tool accidentally.*
- D. **Store idle power tools out of the reach of children and do not allow persons unfamiliar with the power tool or these instructions to operate the power tool.** *Power tools are dangerous in the hands of untrained users.*
- E. **Maintain power tools. Check for misalignment or binding of moving parts, breakage of parts and any other condition that may affect the power tools operation. If damaged, have the power tool repaired before use.** *Many accidents are caused by poorly maintained power tools.*
- F. **Keep cutting tools sharp and clean.** *Properly maintained cutting tools with sharp cutting edges are less likely to bind and are easier to control.*
- G. **Use the power tool, accessories and tool bits etc. in accordance with these**

instructions, taking into account the working conditions and the work to be performed. Using the power tool for operations different from those intended could result in a hazardous situation.

4. Battery tool use and care

- A. **Charge only with the charger specified by the manufacturer.** A charger that is suitable for 1 type of battery pack may create a risk of fire when used with another battery pack.
- B. **Use power tools only with specifically designated battery packs.** Using any other battery packs may create a risk of injury and fire.
- C. **When battery pack is not in use, keep it away from other metal objects, such as paper clips, coins, keys, nails, screws, or other small metal objects that can make a connection from one terminal to another.** Shorting the battery terminals together may cause burns or a fire.
- D. **Under abusive conditions, liquid may be ejected from the battery; avoid contact. If contact accidentally occurs, flush with water. If liquid contacts eyes, additionally seek medical help.** Liquid ejected from the battery may cause irritation or burns.
- E. Charging time increases if the battery pack is not charged within the appropriate temperature range; refer to [Specifications \(page 8\)](#).

5. Service

Have your power tool serviced by a qualified repair person using only identical replacement parts. This will ensure that the safety of the power tool is maintained.

Hedge Trimmer Safety Warnings

- **Keep all parts of the body away from the cutter blade. Do not remove cut material or hold material to be cut when blades are moving. Make sure that the switch is off when clearing jammed material. The blades coast after you turn them off.** A moment of inattention while operating the hedge trimmer may result in serious personal injury.
- **Carry the hedge trimmer by the handle with the cutter blade stopped.** Proper handling of the hedge trimmer reduces possible personal injury from the cutter blades.
- **Hold the power tool by insulated gripping surfaces only, because the cutter blade may contact hidden wiring or its own cord.** Cutter

blades contacting a “live” wire may make exposed metal parts of the power tool “live” and could give you an electric shock.

- **DANGER—Keep your hands away from blade.** Contact with blade will result in serious personal injury.

Additional Safety Warnings

- Keep hands and feet away from the cutting device at all times and especially when switching the product on.
- Do not try to grasp or remove trimmings when the product is running. Remove only trimmings when the product is switched off and disconnected from the power supply.
- Never hold the product by the guard.
- Always be sure of a safe and secure operating position while using the product.
- Never use the product while standing on steps or a ladder. Do not work over shoulder height.
- Always ensure the safety guard supplied is fitted before using the product. Never attempt to use an incomplete product or one fitted with an unauthorized modification.
- Check the cutting device regularly for damage, and if damaged, repair immediately.
- Do not overload the product.
- Check immediately if the product starts to vibrate abnormally. Excessive vibration can cause injury.
- Switch the product off when the cutting device is blocked. Disconnect it from power supply (i.e., remove the battery pack) and remove the blockage. Inspect the cutting device for damage before using the product again.
- Follow the maintenance and repair instructions for this product. Never carry out any modifications to the product. Information about maintenance and repair is provided in this instruction manual.
- Know how to stop the product quickly in an emergency.
- Do not expose the product to rain. Do not operate the product on a wet hedge.
- Use the product only in daylight or good artificial light.
- Check the hedge for foreign objects before operation (e.g., wire fences). Take care that the cutting device does not come into contact with wire or other metal objects.
- Hold the hedge trimmer properly (e.g., with both hands if 2 handles are provided). Loss of control can cause personal injury.

Additional Safety Warnings for the Charger

- This charger can be used by persons with reduced physical, sensory, or mental capabilities, or a lack

of experience and knowledge if they have been given supervision or instruction concerning use of the charger in a safe way and understand the hazards involved.

- Children shall not play with the charger.
- Cleaning and user maintenance shall not be made by children without supervision.
- If the supply cord is damaged, it must be replaced by the manufacturer, its service agent, or similarly qualified persons in order to avoid a hazard.
- Disconnect the charger from the power supply and allow it to cool down before cleaning, maintenance, storage, and transportation.
- Before using the charger, read all the instructions and cautionary markings on the charger and battery pack.
- The charger and battery pack supplied with it are specifically designed to work together. Use the charger only with the battery pack for this tool.
- Charge the battery pack indoors only as the charger is designed for indoor use only.
- Do not charge non-rechargeable batteries.
- Protect the charger against moisture and wet conditions. There is a danger of electric shock.
- Do not place any object on top of the charger as it could cause overheating. Do not place the charger near any heat source.
- Do not use an extension cord on the charger unless it is absolutely necessary. The use of an improper extension cord could cause the risk of fire, electric shock, or electrocution.
- Do not use the charger if it has been subjected to a heavy knock, dropped, or otherwise damaged in any way. Have the charger checked and repaired by an authorized service center.

Additional Safety Warnings for Battery Packs

- Do not attempt to charge the battery pack with any other charger than the one supplied. The charger and battery pack supplied with it are specifically designed to work together.
- To ensure the longest battery life and best performance, only charge and store the battery pack in temperatures that are within the appropriate range; refer to [Specifications \(page 8\)](#). Do not charge or store the battery pack in temperatures outside of the suggested range.
- Small leakage of liquid from the battery pack may occur under extreme usage or temperature conditions. However, if the outer seal is broken and this leakage comes into contact with your skin, wash the affected area quickly with water. If

the leakage gets in your eyes, flush your eyes with clean water for a minimum of 10 minutes and seek immediate medical attention.

- Never attempt to open the battery pack for any reason. If the plastic housing of the battery pack breaks open or cracks, immediately discontinue its use and do not recharge it.
- Do not store or carry a spare battery pack in a pocket or toolbox or any other place where it may come into contact with metal objects. The battery pack may short-circuit, causing damage to the battery pack, burns, or a fire.
- Do not pierce the battery with nails, strike the battery with a hammer, step on the battery, or otherwise subject it to strong impacts or shocks.
- Protect the battery pack against heat. Do not place the battery in direct sunlight or use or store the battery inside cars in hot weather. Doing so may cause the battery to generate heat, explode or ignite.
- Never try to charge a battery pack that is cracked or damaged in any other way. There is a danger of electric shock or electrocution.

Safety and Instructional Decals



Safety decals and instructions are easily visible to the operator and are located near any area of potential danger. Replace any decal that is damaged or missing.

Symbol	Designation/Explanation
	Read the instruction manual.
	Wear hearing protection.
	Wear eye protection.
	Wear a dust mask.
	Wear protective gloves.
	Wear protective, slip-resistant footwear.
	Do not expose the product to rain or wet conditions (moisture).
	Keep fingers away from moving cutting device.
	WEEE symbol. Waste electrical products should not be disposed of with household waste. Please recycle where facilities exist. Check with your Local Authority or local store for recycling advice.

WARNING TO REDUCE THE RISK OF INJURY, USER MUST READ AND UNDERSTAND INSTRUCTION MANUAL. DANGER - KEEP HANDS AWAY FROM BLADE. Do not expose to rain. Risk of eye injury. Use safety glasses or similar eye protection. For use with TORO PowerPlex battery models 88540 & 88541. For use with TORO PowerPlex charger model 88542.

AVERTISSEMENT POUR RÉDUIRE LES RISQUES DE BLESSURE, L'UTILISATEUR DOIT LIRE ET COMPRENDRE LE MODE D'EMPLOI. DANGER - N'APPROCHEZ PAS LES MAINS DE LA LAME. Ne l'exposez pas à la pluie. Risque de blessure oculaire. Utilisez des lunettes de sécurité ou autre protection oculaire semblable. À utiliser avec la batterie TORO PowerPlex, modèle : 88540 & 88541. À utiliser avec le chargeur TORO PowerPlex, modèle : 88542.

*Battery manufacturer rating = 40V maximum & 36V rated. Actual voltage varies with load.
*Tension indiquée par le fabricant de la batterie = 40 V max., 36 V nominale. La tension réelle varie en fonction de la charge.

THE TORO COMPANY
8111 Lyndale Avenue South
Bloomington, MN 55420-1196 USA
PATENT: www.ttopats.com
Cutting Capacity: 0.71" / Capacité de coupe : 18mm
Country of Origin: PRC
Pays d'origine : PRC

40V MAX* DC 24" / 610mm Dual Action / Double Action Model: 51491T

Conforms to UL STD 60745-1 & 60745-2-15 Certified to CSA Intertek 3131666 STD 60745-1 & 60745-2-15

Serial Number: [Redacted] Date Code: [Redacted]

decal136-2462

136-2462
Model 51491T

WARNING To reduce the risk of injury, user must read the instruction manual. Use only with TORO PowerPlex battery charger. Wear eye protection. Do not short terminals. Do not throw into fire. Risk of fire, explosion and burns. Do not disassemble, crush, expose to heat or incinerate. Keep battery out of reach of children. To reduce risk of injury to persons, remove battery pack when not in use.

AVERTISSEMENT Pour réduire le risque de blessures, l'utilisateur doit lire le manuel d'utilisation. Utilisez uniquement avec chargeur de batterie TORO PowerPlex. Portez des lunettes de protection. Ne pas court-circuiter. Ne jetez pas au feu. Risque d'incendie, d'explosion et des brûlures. Ne pas démonter, écraser, exposer à une température au-dessus ou incendier. Conservez la batterie hors de portée des enfants. Pour réduire les risques de blessures corporelles, retirez l'ensemble batterie quand la machine ne sert pas.

*Battery manufacturer rating = 40V maximum & 36V nominal. Actual voltage varies with load.
*Tension indiquée par le fabricant de la batterie = 40 V max., 36 V nominale. La tension réelle varie en fonction de la charge.

THE TORO COMPANY
8111 Lyndale Avenue South
Bloomington, MN 55420-1196 USA
PATENT: www.ttopats.com
Country of Origin: PRC / Pays d'origine: PRC

40V MAX* DC 90 Wh Li-Ion Battery / Batterie au lithium-ion Model: 88540

Serial Number: [Redacted] Date Code: [Redacted]

decal136-2471

136-2471

TORO

LITHIUM-ION BATTERY CHARGER
CHARGEUR DE BATTERIE LITHIUM-ION
Input: 100-120V AC 50/60Hz Max 3.0A
Output: 41.8V MAX* DC 2.5A

*Battery manufacturer rating = 40V maximum & 36V nominal. Actual voltage varies with load.
*Tension indiquée par le fabricant de la batterie = 40 V max., 36 V nominale. La tension réelle varie en fonction de la charge.

Backfeed Protection / Protection contre le retour d'énergie

CAUTION To reduce the risk of injury, user must read the instruction manual. Charge only TORO PowerPlex type rechargeable battery. Other types of batteries may burst causing personal injury and damage. Risk of electric shock. Do not expose to liquid vapor, or rain. Do not interconnect output terminal. For indoor use only.

ATTENTION Pour réduire le risque de blessures, l'utilisateur doit lire le manuel d'utilisation. Utilisez uniquement pour les batteries rechargeables type TORO PowerPlex. D'autres types de batteries pourraient exploser et causer des blessures ou des dommages. Risque de décharge électrique. Ne pas exposer à des liquides, à la vapeur ou à la pluie. Ne pas interconnecter la borne de sortie. Pour usage intérieur uniquement.

Country of Origin: PRC / Pays d'origine : PRC

THE TORO COMPANY
8111 Lyndale Avenue South
Bloomington, MN 55420-1196 USA
PATENT: www.ttopats.com

Conforms to UL STD 1012 Certified to CSA Intertek 3131666 STD 222.2 No.107-2-01

Model: 88542 SL

Serial Number: [Redacted] Date Code: [Redacted]

decal136-2473

136-2473

WARNING TO REDUCE THE RISK OF INJURY, USER MUST READ AND UNDERSTAND INSTRUCTION MANUAL. DANGER - KEEP HANDS AWAY FROM BLADE. Do not expose to rain. Risk of eye injury. Use safety glasses or similar eye protection. For use with TORO PowerPlex battery models 88540 & 88541. For use with TORO PowerPlex charger model 88542.

AVERTISSEMENT POUR RÉDUIRE LES RISQUES DE BLESSURE, L'UTILISATEUR DOIT LIRE ET COMPRENDRE LE MODE D'EMPLOI. DANGER - N'APPROCHEZ PAS LES MAINS DE LA LAME. Ne l'exposez pas à la pluie. Risque de blessure oculaire. Utilisez des lunettes de sécurité ou autre protection oculaire semblable. À utiliser avec la batterie TORO PowerPlex, modèle : 88540 & 88541. À utiliser avec le chargeur TORO PowerPlex, modèle : 88542.

*Battery manufacturer rating = 40V maximum & 36V rated. Actual voltage varies with load.
*Tension indiquée par le fabricant de la batterie = 40 V max., 36 V nominale. La tension réelle varie en fonction de la charge.

THE TORO COMPANY
8111 Lyndale Avenue South
Bloomington, MN 55420-1196 USA
PATENT: www.ttopats.com
Cutting Capacity: 0.71" / Capacité de coupe : 18mm
Country of Origin: PRC
Pays d'origine : PRC

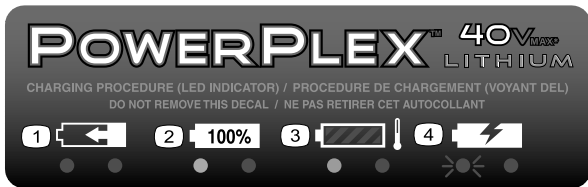
40V MAX* DC 24" / 610mm Dual Action / Double Action Model: 51491

Conforms to UL STD 60745-1 & 60745-2-15 Certified to CSA Intertek 3131666 STD 60745-1 & 60745-2-15

Serial Number: [Redacted] Date Code: [Redacted]

decal136-2461

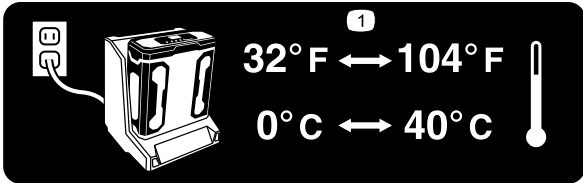
136-2461
Model 51491



decal136-2476

136-2476

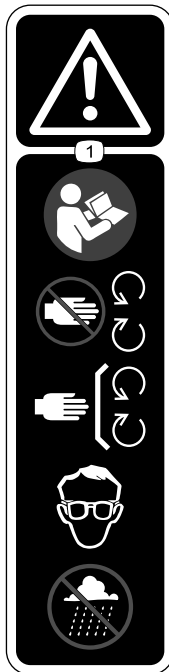
1. The battery pack is charging.
2. The battery pack is fully charged.
3. The battery pack is too warm.
4. Replace the battery pack.



decal136-2539

136-2539

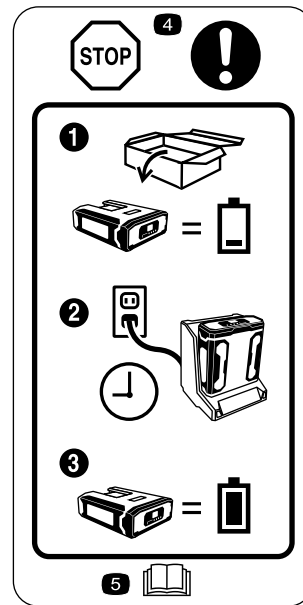
1. Charge the battery where the temperature is between 0°C and 40°C (32°F and 104°F).



decal136-2533

136-2533

1. Warning—read the *Operator's Manual*; keep away from moving parts; keep all guards and covers in place; wear eye protection; do not operate in wet conditions.



decal136-2534

136-2534

1. The battery does not come out of the box fully charged.
2. Place the battery in the battery charger.
3. Wait until the battery is fully charged before the first use.
4. Stop—follow these instructions before first use.
5. Read the *Operator's Manual*.



decal138-6699

138-6699

Setup

Note: The battery pack is not fully charged when it is purchased. Before using the tool for the first time, refer to [Charging the Battery Pack \(page 10\)](#).

Mounting the Battery Charger (Optional)

If desired, mount the battery charger securely on a wall using the wall-mount key holes on the back of the charger.

Mount it indoors (such as a garage or other dry place), near a power outlet, and out of the reach of children.

Refer to [Figure 2](#) for assistance in mounting the charger.

Note: Slide and twist the charger over the appropriately positioned hardware to secure the charger in place (hardware not included).

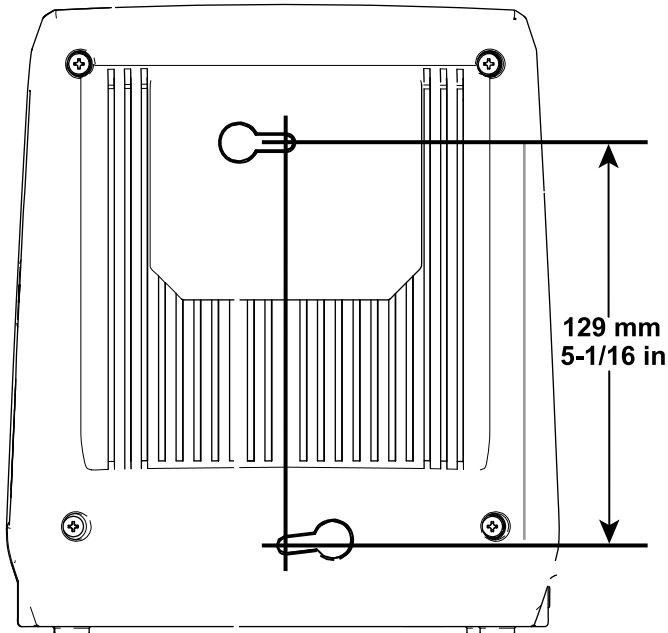


Figure 2

g194202

Product Overview

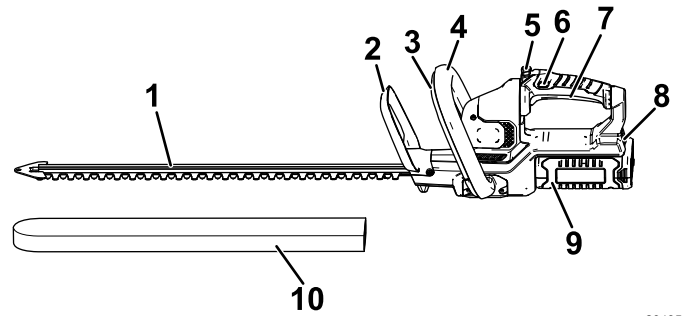


Figure 3

Left Side of Hedge Trimmer

g204357

- | | |
|----------------------------|----------------------|
| 1. Blades | 6. Lock switch |
| 2. Guard | 7. Trigger |
| 3. Auxiliary-handle switch | 8. Battery latch |
| 4. Auxiliary handle | 9. Battery pack |
| 5. Handle-rotation button | 10. Protective cover |

Specifications

Model	51491	51491T
Cutting Length	610 mm	
Rated Voltage	40 VDC maximum, 36 VDC nominal usage	
No-load Speed	3000 spm at 40 VDC max	
Cutting width	18 mm	
Charger Type	88542	
Battery Type	88540 (included with 51491), 88541 (sold separately)	

Appropriate Temperature Ranges

Charge the battery at	0°C (32°F) to 40°C (104°F)*
Use products at	-15°C (5°F) to 60°C (140°F)
Store products at	-15°C (5°F) to 60°C (140°F)
Unplug the charger if	Below 0°C (32°F) or above 40°C (104°F)

*Charging time will increase if you do not charge the battery within this range.

Store the tool, battery pack, and battery charger in an enclosed clean, dry area.

Operation

Starting the Hedge Trimmer

1. Remove the protective cover from the blades (Figure 4).

⚠ WARNING

The hedge trimmer blades can cause cuts or amputation.

Be careful when handling the hedge trimmer with the protective cover removed.

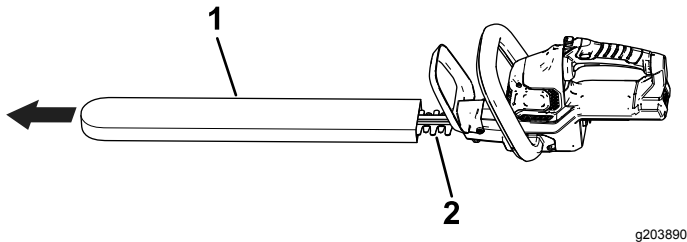


Figure 4

g203890

1. Protective cover
2. Blades

2. Make sure that the vents on the hedge trimmer are clear of any dust and debris.
3. Align the cavity of the battery pack with the tongue in the handle housing, grasp the handle, and push the battery pack into the handle until the latch locks into place (Figure 5).

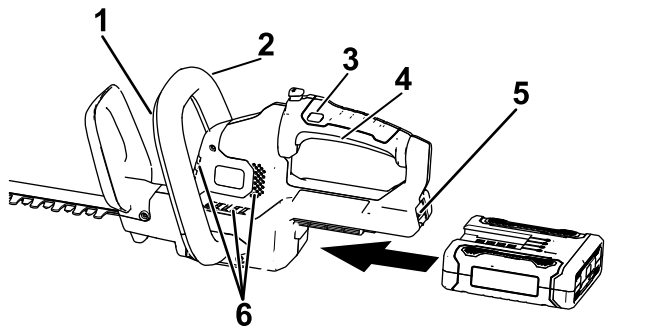


Figure 5

g228569

1. Auxiliary-handle switch
2. Auxiliary handle
3. Lock switch
4. Trigger
5. Battery latch
6. Hedge trimmer venting areas

4. Place 1 hand on the trigger handle. Place the other hand on the auxiliary handle (Figure 5).
5. Press the lock switch and then squeeze the trigger switch while engaging the auxiliary-handle switch to turn on the hedge trimmer (Figure 5).

The trimmer stays on as long as the auxiliary-handle switch is engaged and the trigger is squeezed. You may release the lock switch once the hedge trimmer is running (Figure 5).

Rotating the Hedge Trimmer Handle

1. Press and hold the rotational lock button (A of Figure 6).
2. Rotate the handle 90° to the right or left depending on desired cutting direction, then release the rotational lock button to lock the handle in the desired position (B of Figure 6).

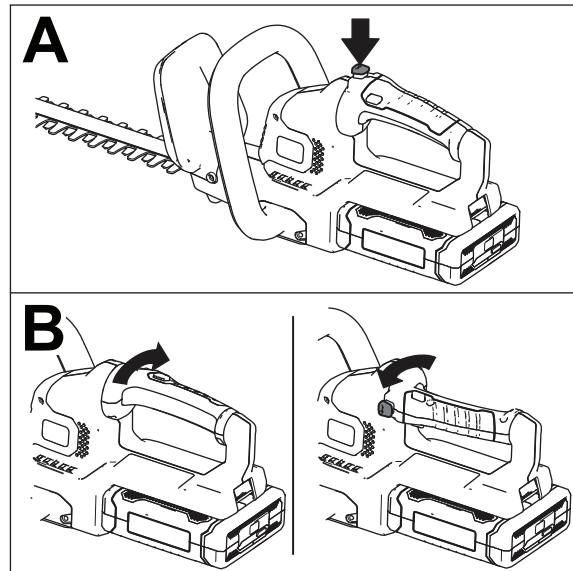


Figure 6

g190070

Shutting Off the Hedge Trimmer

To shut off the hedge trimmer, release the trigger, auxiliary-handle switch, or both (Figure 5). Allow at least 5 seconds for the cutting blade to stop moving.

Whenever you are not using the trimmer or are transporting the trimmer to or from the work area, remove the battery pack.

Removing the Battery Pack

Press the battery latch on the tool to release the battery pack and slide the battery pack out of the tool (Figure 7).

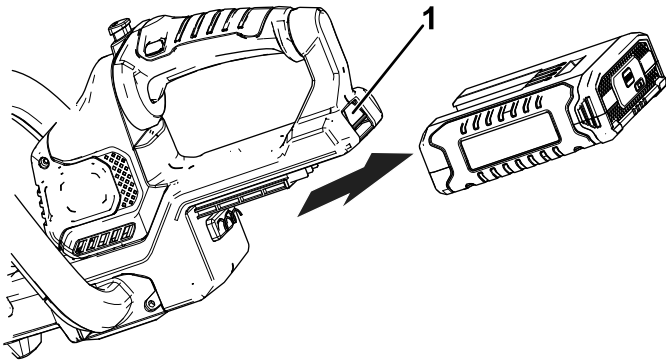


Figure 7

g194190

1. Battery latch
-

Charging the Battery Pack

Important: Read all safety precautions.

Important: Charge the battery pack only in temperatures that are within the appropriate range; refer to [Specifications \(page 8\)](#).

Note: At any time, press the battery-charge-indicator button on the battery pack to display the current charge (LED indicators).

1. Make sure that the vents on the battery are clear of any dust and debris.
2. Line up the cavity in the battery pack (Figure 8) with the tongue on the charger.

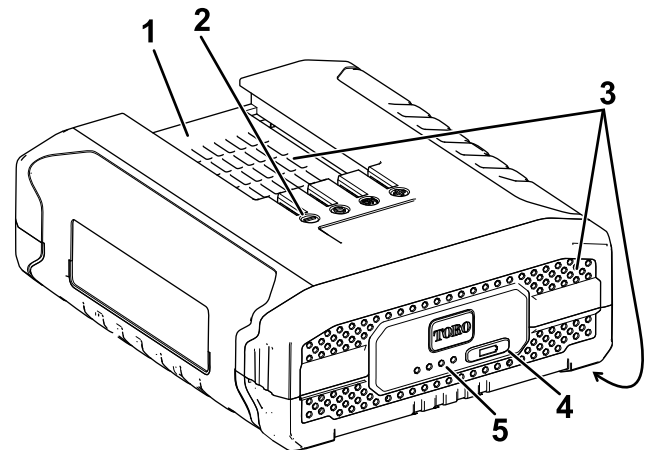


Figure 8

g228487

1. Battery pack cavity
 2. Battery pack terminals
 3. Battery pack venting areas
 4. Battery-charge-indicator button
 5. LED indicators (current charge)
-

3. Make sure that the vents on the battery charger are clear of any dust and debris.

- Slide the battery pack into the charger until it is fully seated (Figure 9).

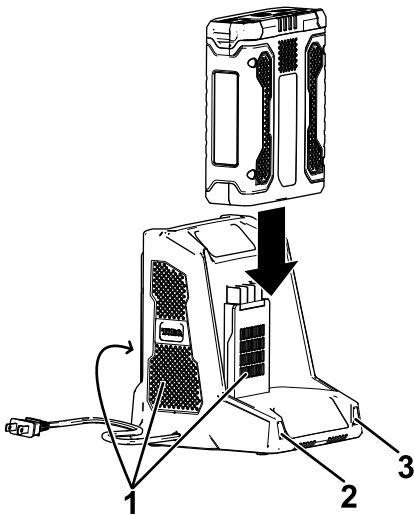


Figure 9

g194423

- Charger venting areas
- Left indicator light
- Right indicator light

- To remove the battery pack, slide the battery backward out of the charger.
- Refer to the following table to interpret the LED indicators on the battery charger.

Left Light	Right Light	Indicates
Off	Red	Charger is on; no battery pack inserted
Red	Red	Battery pack is charging
Green	Red	Battery pack is charged
Orange	Red	Battery pack is too warm
Red Blinking	Red	Replace the battery pack

Operating Tips

- Use the power tool for cutting in either direction in a slow, sweeping action from side to side.
- Stand so that you are stable and balanced on both feet. Do not overreach.
- Inspect and clear the area of any hidden objects.
- Never use the hedge trimmer near power lines, fencing, posts, buildings, or other immovable objects.
- Never use a blade after hitting a hard object without first inspecting it for damage. Do not use if it is damaged.
- Never touch blades or service unit with the power supply connected.
- Do not force the hedge trimmer through heavy shrubbery. This can cause the blades to bind and slow down. If the blades slow down, reduce the pace.
- Do not attempt to cut stems or twigs that are larger than 18 mm (0.71 inch) in diameter, or those obviously too large to feed into the cutting blade. Use a non-powered hand saw or pruning saw to trim large stems.
- If the blades do become jammed, stop the motor, allow the blades to stop, and remove the battery before attempting to remove the obstruction. **CAUTION: The blades may move slightly due to residual tension.**
- If desired, you can use a string to help cut your hedge level. Decide how high you want the hedge. Stretch a piece of string along the hedge at the desired height. Trim the hedge just above the guide line of string.
- Wear gloves when trimming thorny or prickly growth. When trimming new growth, use a wide sweeping action so that the stems are fed directly into the cutting blade.

Maintenance

Disconnect the product from the power supply (i.e., remove the plug from the power supply or the battery pack) before maintenance or cleaning work.

Use only the manufacturer's recommended replacement parts and accessories.

Inspect and maintain the product regularly. Have the product repaired only by an Authorized Service Dealer.

Oiling the Trimmer Blade

Note: Oil the trimmer blade before and after each use.

1. Stop the motor and remove the battery.
2. Clean dirt and debris from the body of the hedge trimmer, using a damp cloth with a mild detergent.

Note: Do not use any strong detergents on the plastic housing or the handle. They can be damaged by certain aromatic oils, such as pine and lemon, and by solvents such as kerosene.

3. Lay the hedge trimmer on a flat surface. Apply light-weight machine oil along the edge of the top blade. If you will be using the hedge trimmer for an extended period of time, oil the blade during use.

Note: Do not oil the hedge trimmer while it is running.

Storage

Important: Store the tool, battery pack, and charger only in temperatures that are within the appropriate range; refer to [Specifications \(page 8\)](#).

Important: If you are storing the tool for a year or longer, remove the battery pack from the tool and charge the battery pack until 2 or 3 LED indicators turn blue on the battery. Do not store a fully charged or fully depleted battery. When you are ready to use the tool again, charge the battery pack until the left indicator light turns green on the charger or all 4 LED indicators turn blue on the battery.

- Disconnect the product from the power supply (i.e., remove the plug from the power supply or the battery pack) and check for damage after use.
- Clean all foreign material from the product.
- When not in use, store the tool, battery pack, and battery charger out of the reach of children.
- Keep the tool, battery pack, and battery charger away from corrosive agents, such as garden chemicals and de-icing salts.
- To reduce the risk of serious personal injury, do not store the battery pack outside or in vehicles.
- Store the tool, battery pack, and battery charger in an enclosed clean, dry area.

Preparing the Battery Pack for Recycling

Important: Upon removal, cover the terminals of the battery pack with heavy-duty adhesive tape. Do not attempt to destroy or disassemble the battery pack or remove any of its components. Recycle or properly dispose of lithium-ion battery packs at a battery recycling facility.



For more information on recycling lithium-ion battery packs and to locate the battery recycling facility closest to you, visit www.Call2Recycle.org (US and Canada only). If you are located outside of the US and Canada, please contact your authorized Toro distributor.

Troubleshooting

Perform only the steps described in these instructions. All further inspection, maintenance, and repair work must be performed by an authorized service center or a similarly qualified specialist if you cannot solve the problem yourself.

Problem	Possible Cause	Corrective Action
The tool does not start.	<ol style="list-style-type: none"> 1. The battery is not fully installed in the tool. 2. The battery pack is not charged. 3. The battery pack is damaged. 4. There is another electrical problem with the tool. 	<ol style="list-style-type: none"> 1. Remove and then replace the battery into the tool, making sure that it is fully installed and latched. 2. Remove the battery pack from the tool and charge it. 3. Replace the battery pack. 4. Contact an Authorized Service Dealer.
The tool does not reach full power.	<ol style="list-style-type: none"> 1. The battery pack charge capacity is too low. 2. The air vents are blocked. 	<ol style="list-style-type: none"> 1. Remove the battery pack from the tool and fully charge the battery pack. 2. Clean the air vents.
The tool is producing excessive vibration or noise.	<ol style="list-style-type: none"> 1. The blades are dull or damaged. 	<ol style="list-style-type: none"> 1. Contact an Authorized Service Dealer.
The battery pack loses charge quickly.	<ol style="list-style-type: none"> 1. The battery pack is over or under the appropriate temperature range. 	<ol style="list-style-type: none"> 1. Move the battery pack to a place where it is dry and the temperature is between 0°C (32°F) and 40°C (104°F).
The battery charger is not working.	<ol style="list-style-type: none"> 1. The battery charger is over or under the appropriate temperature range. 2. The outlet that the battery charger is plugged into does not have power. 	<ol style="list-style-type: none"> 1. Unplug the battery charger and move it to a place where it is dry and the temperature is between 0°C (32°F) and 40°C (104°F). 2. Contact your licensed electrician to repair the outlet.
The battery pack shows only 3 LED indicators after only a few seconds of using a fully charged battery.	<ol style="list-style-type: none"> 1. This is a normal occurrence. 	<ol style="list-style-type: none"> 1. Stop the tool and press the battery-charge-indicator button or the remove the battery from the tool to display the actual battery charge.
All 4 LED indicators are blinking on the battery pack after you press the battery-charge-indicator button on the battery pack and the current charge displays (when the battery pack is not in use).	<ol style="list-style-type: none"> 1. The battery pack is over or under the appropriate temperature range. 	<ol style="list-style-type: none"> 1. Move the battery pack to a place where it is dry and the temperature is between 0°C (32°F) and 40°C (104°F).
All 4 LED indicators are blinking on the battery pack after releasing the trigger (when the battery pack is in use).	<ol style="list-style-type: none"> 1. The battery pack is over or under the appropriate temperature range. 	<ol style="list-style-type: none"> 1. Move the battery pack to a place where it is dry and the temperature is between 0°C (32°F) and 40°C (104°F).
2 LED indicators are blinking on the battery pack after you press the battery-charge-indicator button on the battery pack and the current charge displays (when the battery pack is not in use).	<ol style="list-style-type: none"> 1. There is a difference in voltage between cells in the battery pack. 	<ol style="list-style-type: none"> 1. Place the battery on the charger until it is fully charged.
2 LED indicators are blinking on the battery pack after releasing the trigger (when the battery pack is in use).	<ol style="list-style-type: none"> 1. There is a difference in voltage between cells in the battery pack. 	<ol style="list-style-type: none"> 1. Place the battery on the charger until it is fully charged.

Problem	Possible Cause	Corrective Action
1 LED indicator is blinking on the battery pack.	1. The battery pack voltage is low.	1. Place the battery pack on the charger.
It is difficult to remove the battery pack from the tool.	1. The battery pack/tool is new or there is corrosion in the battery terminals and/or the terminals on the tool.	1. Clean the terminals on the battery pack and the tool. Then apply dielectric grease to the battery terminals; do not use any other type of lubricant as it can damage the terminals.

California Proposition 65 Warning Information

What is this warning?

You may see a product for sale that has a warning label like the following:



WARNING: Cancer and Reproductive Harm—www.p65Warnings.ca.gov.

What is Prop 65?

Prop 65 applies to any company operating in California, selling products in California, or manufacturing products that may be sold in or brought into California. It mandates that the Governor of California maintain and publish a list of chemicals known to cause cancer, birth defects, and/or other reproductive harm. The list, which is updated annually, includes hundreds of chemicals found in many everyday items. The purpose of Prop 65 is to inform the public about exposure to these chemicals.

Prop 65 does not ban the sale of products containing these chemicals but instead requires warnings on any product, product packaging, or literature with the product. Moreover, a Prop 65 warning does not mean that a product is in violation of any product safety standards or requirements. In fact, the California government has clarified that a Prop 65 warning "is not the same as a regulatory decision that a product is 'safe' or 'unsafe.'" Many of these chemicals have been used in everyday products for years without documented harm. For more information, go to <https://oag.ca.gov/prop65/faqs-view-all>.

A Prop 65 warning means that a company has either (1) evaluated the exposure and has concluded that it exceeds the "no significant risk level"; or (2) has chosen to provide a warning based on its understanding about the presence of a listed chemical without attempting to evaluate the exposure.

Does this law apply everywhere?

Prop 65 warnings are required under California law only. These warnings are seen throughout California in a wide range of settings, including but not limited to restaurants, grocery stores, hotels, schools, and hospitals, and on a wide variety of products. Additionally, some online and mail order retailers provide Prop 65 warnings on their websites or in catalogs.

How do the California warnings compare to federal limits?

Prop 65 standards are often more stringent than federal and international standards. There are various substances that require a Prop 65 warning at levels that are far lower than federal action limits. For example, the Prop 65 standard for warnings for lead is 0.5 µg/day, which is well below the federal and international standards.

Why don't all similar products carry the warning?

- Products sold in California require Prop 65 labelling while similar products sold elsewhere do not.
- A company involved in a Prop 65 lawsuit reaching a settlement may be required to use Prop 65 warnings for its products, but other companies making similar products may have no such requirement.
- The enforcement of Prop 65 is inconsistent.
- Companies may elect not to provide warnings because they conclude that they are not required to do so under Prop 65; a lack of warnings for a product does not mean that the product is free of listed chemicals at similar levels.

Why does Toro include this warning?

Toro has chosen to provide consumers with as much information as possible so that they can make informed decisions about the products they buy and use. Toro provides warnings in certain cases based on its knowledge of the presence of one or more listed chemicals without evaluating the level of exposure, as not all the listed chemicals provide exposure limit requirements. While the exposure from Toro products may be negligible or well within the "no significant risk" range, out of an abundance of caution, Toro has elected to provide the Prop 65 warnings. Moreover, if Toro does not provide these warnings, it could be sued by the State of California or by private parties seeking to enforce Prop 65 and subject to substantial penalties.



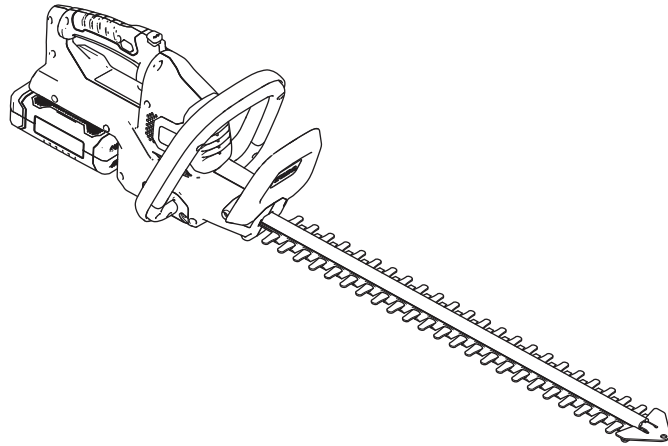
Count on it.

Manual del operador

Cortasetos PowerPlex 40 V MAX de 61 cm (24")

Nº de modelo 51491—Nº de serie 319000001 y superiores

Nº de modelo 51491T—Nº de serie 319000001 y superiores





Si usted tiene alguna pregunta o algún problema, llame al teléfono gratuito 1-800-237-2654 (EE.UU.) o 1-800-248-3258 (Canadá) antes de devolver este producto.

▲ ADVERTENCIA

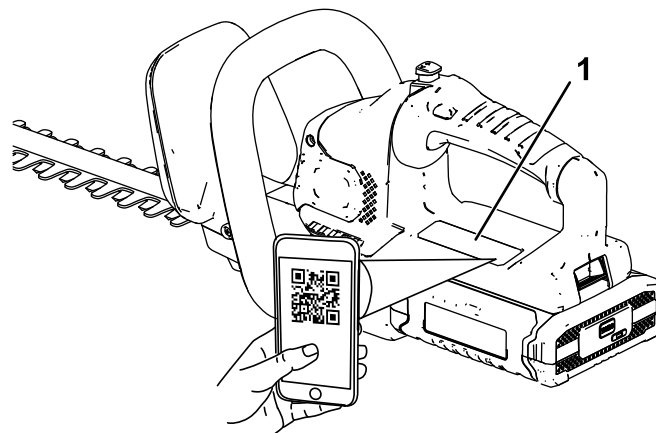
CALIFORNIA

Advertencia de la Propuesta 65

El cable eléctrico de este producto contiene plomo, que el Estado de California sabe que causa defectos congénitos u otros peligros para la reproducción. Lávese las manos después de manejar el material.

El uso de este producto puede provocar la exposición a sustancias químicas que el Estado de California considera causantes de cáncer, defectos congénitos u otros trastornos del sistema reproductor.

Importante: Con su dispositivo móvil, puede escanear el código QR (en su caso) de la placa del número de serie para acceder a información sobre la garantía, las piezas, y otra información sobre el producto.



g263352

Figura 1

1. Ubicación de los números de modelo y de serie

Introducción

Este cortasetos está indicado para el mantenimiento de arbustos y setos por parte de usuarios domésticos. Está diseñado para usar solamente baterías modelo 88540 (suministradas con el modelo 51491) o 88541.

Lea este manual detenidamente para aprender a utilizar y mantener correctamente su producto, y para evitar lesiones y daños al producto. Usted es responsable de utilizar el producto de forma correcta y segura.

Usted puede ponerse en contacto directamente con Toro en www.Toro.com si desea información sobre productos y accesorios, si necesita localizar un distribuidor, buscar datos completos sobre su garantía o registrar su producto.

El Modelo 51491T no incluye batería ni cargador.

Seguridad

▲ ADVERTENCIA

Si no se observan todas las advertencias e instrucciones, pueden producirse descargas eléctricas, incendios y/o lesiones graves.

Lea todas las advertencias e instrucciones de seguridad.

Guarde todas las advertencias e instrucciones para su referencia futura.

El término “herramienta eléctrica” que aparece en las advertencias se refiere a una herramienta accionada por el suministro eléctrico de la red (con cable) o una herramienta eléctrica accionada por batería (sin cable).

1. Seguridad de la zona de trabajo

- A. **Mantenga la zona de trabajo limpia y bien iluminada.** *Las zonas desordenadas u oscuras son una invitación al accidente.*
- B. **No utilice herramientas eléctricas en atmósferas explosivas, como por ejemplo en presencia de líquidos inflamables, gases o polvo.** *Las herramientas eléctricas crean chispas que pueden inflamar el polvo o los vapores.*
- C. **Mantenga alejados a niños y otras personas mientras utiliza una herramienta eléctrica.** *Las distracciones pueden hacer que pierda el control.*
- D. **Evite entornos peligrosos.** *No utilice los aparatos en lugares húmedos o mojados.*

2. Seguridad personal

- A. **Manténgase alerta, esté atento a lo que está haciendo y utilice el sentido común mientras utiliza una herramienta eléctrica.** **No utilice un herramienta eléctrica si está cansado o bajo la influencia de drogas, alcohol o medicamentos.** *Una breve falta de atención mientras utiliza una herramienta eléctrica podría provocar lesiones personales graves.*
- B. **Utilice equipos de protección personal. Lleve siempre protección ocular.** *El uso de equipos de protección personal como mascarillas, calzado de seguridad antideslizante, casco y protección auditiva en condiciones apropiadas reducirá el riesgo de lesiones personales.*
- C. **Evite el encendido accidental. Asegúrese de que el interruptor está en la posición de APAGADO antes de**

conectar la herramienta a la toma de corriente y/o a la batería, y antes de levantar o transportar la herramienta.

Transportar las herramientas eléctricas con el dedo sobre el interruptor o enchufar herramientas eléctricas con el interruptor en la posición de encendido es una invitación al accidente.

- D. **Retire cualquier llave de ajuste antes de encender la herramienta eléctrica.** *Una llave que se deja insertada en una parte rotativa de la herramienta eléctrica puede dar lugar a lesiones personales.*
 - E. **No intente alcanzar zonas demasiado alejadas. Pise firme y mantenga el equilibrio en todo momento.** *Esto permite un mayor control de la herramienta en situaciones imprevistas.*
 - F. **Utilice la ropa adecuada. No lleve ropas o joyas sueltas. Mantenga el pelo recogido, y la ropa y los guantes alejados de las piezas móviles.** *La ropa suelta, las joyas y el pelo largo pueden quedar atrapados en las piezas móviles.*
 - G. **Si se suministran dispositivos para la conexión de sistemas de recogida y extracción de polvo, asegúrese de conectarlos y usarlos correctamente.** *El uso de dispositivos de recolección de polvo puede reducir los riesgos asociados con el polvo.*
- ### 3. Uso y cuidado de las herramientas eléctricas
- A. **No fuerce la herramienta eléctrica. Utilice la herramienta eléctrica adecuada para el trabajo a realizar.** *La herramienta eléctrica correcta realizará el trabajo mejor y con mayor seguridad a la velocidad para la que fue diseñada.*
 - B. **No utilice la herramienta eléctrica si el interruptor no la enciende y apaga.** *Cualquier herramienta eléctrica que no pueda ser controlada con el interruptor es peligrosa y debe ser reparada.*
 - C. **Desconecte la clavija del suministro eléctrico y/o desconecte la batería de la herramienta eléctrica antes de realizar cualquier ajuste, cambiar de accesorio o almacenar la herramienta.** *Estas medidas de seguridad preventivas reducen el riesgo de un arranque accidental de la herramienta eléctrica.*
 - D. **Si no la está usando, guarde la herramienta eléctrica fuera del alcance de los niños, y no permita que la utilicen personas no familiarizadas con**

la herramienta eléctrica o con estas instrucciones de uso. Las herramientas eléctricas son peligrosas en manos de usuarios inexpertos.

- E. **Mantenimiento de las herramientas eléctricas.** Compruebe que las piezas móviles están correctamente alineadas y que se mueven libremente sin agarrotarse, que no hay piezas rotas, y que no hay otras circunstancias que podrían afectar al uso de la herramienta eléctrica. Si existen daños, haga reparar la herramienta eléctrica antes de usarla. Muchos accidentes se deben a un mantenimiento deficiente de las herramientas eléctricas.
- F. **Mantenga las herramientas de corte afiladas y limpias.** Una herramienta de corte bien mantenida con filos bien afilados es más fácil de controlar y hay menos probabilidades de que se agarrote.
- G. **Utilice la herramienta eléctrica, los accesorios, las brocas, etc., según lo indicado en estas instrucciones, teniendo en cuenta las condiciones de trabajo y el trabajo a realizar.** Usar la herramienta eléctrica para operaciones diferentes de las previstas podría dar lugar a una situación de peligro.
4. **Uso y cuidado de las herramientas a batería**
- A. **Cargar únicamente con el cargador especificado por el fabricante.** Un cargador diseñado para un tipo de batería puede crear un riesgo de incendio si se utiliza con otra batería.
- B. **Utilice las herramientas eléctricas únicamente con las baterías específicas indicadas.** El uso de otras baterías puede crear un riesgo de incendio y lesiones.
- C. **Cuando la batería no está en uso, manténgala alejada de otros objetos metálicos, como por ejemplo clips, monedas, llaves, clavos, tornillos u otros objetos metálicos pequeños que podrían hacer una conexión entre un terminal y otro.** Un cortocircuito entre los terminales de la batería puede causar quemaduras o un incendio.
- D. **En condiciones de uso incorrecto, puede haber una fuga de líquido de la batería; evite el contacto con dicho líquido. En caso de un contacto accidental, lavar con abundante agua. Si el líquido entra en contacto con los ojos, busque también ayuda médica.** El líquido

expulsado de la batería puede causar irritación o quemaduras.

- E. El tiempo de carga aumenta si la batería no se carga dentro del intervalo de temperatura apropiado; consulte [Especificaciones \(página 9\)](#).

5. Mantenimiento

El mantenimiento de su herramienta eléctrica debe ser realizado por un técnico de reparaciones debidamente cualificado, utilizando únicamente piezas de repuesto idénticas. Sólo de esta manera se garantiza el mantenimiento de la seguridad de la herramienta eléctrica.

Advertencias de seguridad para cortasetos

- **Mantenga todo el cuerpo alejado de la cuchilla. No retire el material cortado ni sujete el material a cortar mientras las cuchillas están en movimiento. Asegúrese de que el interruptor está apagado antes de despejar cualquier obstrucción. Las cuchillas siguen moviéndose después de apagarlas.** Una breve falta de atención mientras utiliza una herramienta eléctrica podría provocar lesiones personales graves.
- **Transporte el cortasetos sujetándolo por la empuñadura con la cuchilla parada.** El manejo correcto del cortasetos reduce la posibilidad de sufrir lesiones personales con las cuchillas.
- **Sujete la herramienta eléctrica únicamente por las superficies de agarre aisladas, porque la cuchilla podría entrar en contacto con cables ocultos o con su propio cable.** Si las cuchillas entraran en contacto con un cable con corriente, las partes metálicas expuestas de la herramienta eléctrica también tendrían corriente y usted podría recibir una descarga eléctrica.
- **PELIGRO – Mantenga las manos alejadas de la cuchilla.** El contacto con la cuchilla causará lesiones personales graves.

Advertencias de seguridad adicionales

- Mantenga las manos y los pies alejados del dispositivo de corte en todo momento, en especial al encender el producto.
- No intente agarrar o retirar recortes mientras el producto está en funcionamiento. Solo retire los recortes cuando el producto está apagado y desconectado del suministro de energía.
- Nunca sostenga el producto por el protector.
- Siempre asegúrese de tener una posición de operación segura mientras usa el producto.
- No utilice nunca el producto desde una escalera. No trabaje por encima de la altura del hombro.

- Siempre asegúrese de que el protector de seguridad provisto está colocado antes de usar el producto. Nunca intente usar un producto incompleto o uno adaptado con una modificación no autorizada.
- Compruebe periódicamente si el dispositivo de corte está dañado, y si lo está, repárelo inmediatamente.
- No sobrecargue el producto.
- Compruebe el producto inmediatamente si empieza a vibrar de forma anormal. La vibración excesiva puede provocar lesiones.
- Apague el producto si el dispositivo de corte está obstruido. Desconéctelo del suministro de energía (es decir, retire la batería) y elimine la obstrucción. Inspeccione si el dispositivo de corte está dañado antes de usar el producto nuevamente.
- Siga las instrucciones de mantenimiento y reparación de este producto. No realice nunca modificaciones en el producto. Este manual de instrucciones ofrece información sobre mantenimiento y reparación.
- Conozca cómo parar el producto rápidamente en caso de que ocurra una emergencia.
- No exponga el producto a la lluvia. No utilice el producto en setos húmedos.
- Use el producto únicamente en condiciones de luz diurna o buena luz artificial.
- Compruebe que el seto no contiene objetos extraños (por ej., alambrado) antes de empezar a cortar. Procure que el dispositivo de corte no entre en contacto con alambres u otros objetos metálicos.
- Sostenga correctamente el cortasetos (es decir, con ambas manos si está provisto de 2 empuñaduras). La pérdida de control puede causar lesiones personales.

Advertencias de seguridad adicionales para el cargador

- Este cargador puede ser usado por personas con capacidades físicas, sensoriales o mentales reducidas o con falta de experiencia y conocimiento si son supervisadas o instruidas con respecto al uso del cargador de forma segura y comprenden los riesgos que implica el uso.
- Los niños no deben jugar con el cargador.
- Los niños no deben limpiar ni realizar el mantenimiento del aparato sin supervisión.
- Si el cable de alimentación está dañado, debe ser sustituido por el fabricante, su servicio técnico autorizado u otra persona con cualificaciones similares para evitar riesgos.

- Desconecte el cargador del suministro de energía y deje que se enfríe antes de limpiar, mantener, almacenar o transportarlo.
- Antes de utilizar el cargador, lea todas las instrucciones y símbolos de advertencia que figuran en el cargador y en la batería.
- El cargador y la batería suministrada con él están específicamente diseñados para funcionar juntos. Use el cargador únicamente con la batería suministrada para esta herramienta.
- Cargue la batería en un espacio interior ya que el cargador está diseñado para ser usado en espacios interiores únicamente.
- No recargue baterías no recargables.
- Proteja el cargador contra la humedad. Existe el riesgo de descarga eléctrica.
- No coloque ningún objeto encima del cargador porque podría provocar el sobrecalentamiento. No coloque el cargador cerca de una fuente de calor.
- No utilice un cable alargador con el cargador a menos que sea absolutamente necesario. Usar un cable alargador inadecuado puede provocar el riesgo de incendio, descarga eléctrica o electrocución.
- No utilice el cargador si se ha sometido a un golpe fuerte, si se ha caído o se ha dañado de algún otro modo. Haga que un servicio técnico autorizado compruebe y repare el cargador.

Advertencias de seguridad adicionales para la batería

- No intente cargar la batería con otro cargador que el suministrado. El cargador y la batería suministrada con él están específicamente diseñados para funcionar juntos.
- Para garantizar la mayor vida útil y el mejor rendimiento de la batería, solo cargue y almacene la batería a temperaturas que estén dentro del rango apropiado; consulte [Especificaciones \(página 9\)](#). No cargue ni almacene la batería a temperaturas que no estén dentro del rango sugerido.
- Puede producirse una pequeña fuga de líquido de la batería en condiciones de uso o temperatura extremas. No obstante, si el sello exterior está roto y esta fuga entra en contacto con su piel, lave el área afectada rápidamente con agua. Si la fuga entra en contacto con sus ojos, lávelos con agua limpia durante al menos 10 minutos y busque atención médica inmediatamente.
- Nunca intente abrir la batería por ningún motivo. Si la carcasa de plástico de la batería se rompe o se agrieta, interrumpa el uso inmediatamente y no la recargue.

- No almacene ni lleve una batería de repuesto en el bolsillo o en la caja de herramientas o en ningún otro lugar donde pueda entrar en contacto con objetos metálicos. La batería podría hacer cortocircuito y causar daños a la batería, quemarse o provocar un incendio.
- No perforo la batería con clavos, no golpee la batería con un martillo, no la pise ni la someta a golpes o impactos fuertes.
- Proteja la batería contra el calor. No coloque la batería bajo la luz solar directa ni la almacene dentro de automóviles si hace calor. Hacer esto podría provocar que la batería genere calor, explote o se incendie.
- Nunca intente cargar la batería si tiene grietas o cualquier tipo de desperfecto. Existe el riesgo de descarga eléctrica o electrocución.

Pegatinas de seguridad e instrucciones



Las pegatinas de seguridad e instrucciones están a la vista del operador y están ubicadas cerca de cualquier zona de peligro potencial. Sustituya cualquier pegatina que esté dañada o que falte.

Símbolo	Designación/explicación
	Lea el manual de instrucciones.
	Lleve protección auditiva.
	Lleve protección ocular.
	Use mascarilla.
	Use guantes de protección.
	Use calzado de protección antideslizante.
	No exponga el producto a la lluvia o a condiciones húmedas.
	Mantenga alejados los dedos del dispositivo de corte en movimiento.
	Símbolo WEEE. Los productos eléctricos usados no deben eliminarse junto con los residuos domésticos. Recicle donde existan centros de reciclado. Consulte a las autoridades locales o en una tienda especializada para conocer las recomendaciones de reciclado.

WARNING TO REDUCE THE RISK OF INJURY, USER MUST READ AND UNDERSTAND INSTRUCTION MANUAL. DANGER - KEEP HANDS AWAY FROM BLADE. Do not expose to rain. Risk of eye injury. Use safety glasses or similar eye protection. For use with TORO PowerPlex battery model 88540 & 88541. For use with TORO PowerPlex charger model 88542.

AVERTISSEMENT POUR RÉDUIRE LES RISQUES DE BLESSURE, L'UTILISATEUR DOIT LIRE ET COMPRENDRE LE MODE D'EMPLOI. DANGER - N'APPROCHEZ PAS LES MANS DE LA LAME. Ne l'exposez pas à la pluie. Risque de blessure oculaire. Utilisez des lunettes de sécurité ou autre protection oculaire semblable. À utiliser avec la batterie TORO PowerPlex, modèle : 88540 & 88541. À utiliser avec le chargeur TORO PowerPlex, modèle : 88542.

*Battery manufacturer rating = 40V maximum & 36V rated. Actual voltage varies with load.
*Tension indiquée par le fabricant de la batterie = 40 V max., 36 V nominale. La tension réelle varie en fonction de la charge.

40V MAX* DC 24" / 610mm
Dual Action / Double Action

Model: 51491T

THE TORO COMPANY
8111 Lyndale Avenue South
Bloomington, MN 55420-1196 USA
PATENT: www.tcopats.com
Cutting Capacity: 0.71" / Capacité de coupe : 18mm
Country of Origin: PRC
Pays d'origine : PRC

Intertek
3131666
UL STD 60745-1 & 60745-2-15
Certified to CSA
Date Code: STD 60745-1 & 60745-2-15

decal136-2462

136-2462
Modelo 51491T

WARNING To reduce the risk of injury, user must read the instruction manual. Use only with TORO PowerPlex battery charger. Wear eye protection. Do not short terminals. Do not throw into fire. Risk of fire, explosion and burns. Do not disassemble, crush, expose to heat or incinerate. Keep battery out of reach of children. To reduce risk of injury to persons, remove battery pack when not in use.

AVERTISSEMENT Pour réduire le risque de blessures, l'utilisateur doit lire le manuel d'utilisation. Utilisez uniquement avec chargeur de batterie TORO PowerPlex. Portez des lunettes de protection. Ne pas court-circuiter. Ne jetez pas au feu. Risque d'incendie, d'explosion et des brûlures. Ne pas démonter, écraser, exposer à une température au-dessus ou incinérer. Conservez la batterie hors de portée des enfants. Pour réduire les risques de blessures corporelles, retirez l'ensemble batterie quand la machine ne sert pas.

*Battery manufacturer rating = 40V maximum & 36V nominal. Actual voltage varies with load.
*Tension indiquée par le fabricant de la batterie = 40 V max., 36 V nominale. La tension réelle varie en fonction de la charge.

40V MAX* DC 80 Wh
Li-Ion Battery / Batterie au lithium-ion

Model: 88540

THE TORO COMPANY
8111 Lyndale Avenue South
Bloomington, MN 55420-1196 USA
Country of Origin: PRC / Pays d'origine: PRC
PATENT: www.tcopats.com

Intertek
3131666
UL STD 60745-1 & 60745-2-15
Certified to CSA
Date Code: STD 60745-1 & 60745-2-15

decal136-2471

136-2471

TORO

LITHIUM-ION BATTERY CHARGER
CHARGEUR DE BATTERIE LITHIUM-ION
Input: 100-120V AC 50/60Hz Max 3.0A
Output: 41.8V MAX* DC 2.5A

*Battery manufacturer rating = 40V maximum & 36V nominal. Actual voltage varies with load.
*Tension indiquée par le fabricant de la batterie = 40 V max., 36 V nominale. La tension réelle varie en fonction de la charge.

Backfeed Protection / Protection contre le retour d'énergie

CAUTION To reduce the risk of injury, user must read the instruction manual. Charge only TORO PowerPlex type rechargeable battery. Other types of batteries may burst causing personal injury and damage. Risk of electric shock. Do not expose to liquid, vapor, or rain. Do not interconnect output terminal. For indoor use only.

ATTENTION Pour réduire le risque de blessures, l'utilisateur doit lire le manuel d'utilisation. Utilisez uniquement pour les batteries rechargeables type TORO PowerPlex. D'autres types de batteries pourraient exploser et causer des blessures ou des dommages. Risque de décharge électrique. Ne pas exposer à des liquides, à la vapeur ou à la pluie. Ne pas interconnecter la borne de sortie. Pour usage intérieur uniquement.

Country of Origin: PRC / Pays d'origine : PRC

THE TORO COMPANY
8111 Lyndale Avenue South
Bloomington, MN 55420-1196 USA
PATENT: www.tcopats.com

Conforms to UL STD 1012
STD C22.2 No.107.2-01
Intertek
3131666

Model: 88542 SL
Serial Number: [Redacted]
Numéro de série : [Redacted]
Date Code: [Redacted]
Code de date : [Redacted]

decal136-2473

136-2473

WARNING TO REDUCE THE RISK OF INJURY, USER MUST READ AND UNDERSTAND INSTRUCTION MANUAL. DANGER - KEEP HANDS AWAY FROM BLADE. Do not expose to rain. Risk of eye injury. Use safety glasses or similar eye protection. For use with TORO PowerPlex battery model 88540 & 88541. For use with TORO PowerPlex charger model 88542.

AVERTISSEMENT POUR RÉDUIRE LES RISQUES DE BLESSURE, L'UTILISATEUR DOIT LIRE ET COMPRENDRE LE MODE D'EMPLOI. DANGER - N'APPROCHEZ PAS LES MANS DE LA LAME. Ne l'exposez pas à la pluie. Risque de blessure oculaire. Utilisez des lunettes de sécurité ou autre protection oculaire semblable. À utiliser avec la batterie TORO PowerPlex, modèle : 88540 & 88541. À utiliser avec le chargeur TORO PowerPlex, modèle : 88542.

*Battery manufacturer rating = 40V maximum & 36V rated. Actual voltage varies with load.
*Tension indiquée par le fabricant de la batterie = 40 V max., 36 V nominale. La tension réelle varie en fonction de la charge.

40V MAX* DC 24" / 610mm
Dual Action / Double Action

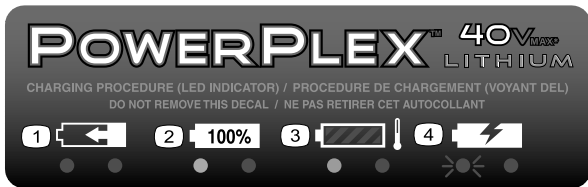
Model: 51491

THE TORO COMPANY
8111 Lyndale Avenue South
Bloomington, MN 55420-1196 USA
PATENT: www.tcopats.com
Cutting Capacity: 0.71" / Capacité de coupe : 18mm
Country of Origin: PRC
Pays d'origine : PRC

Intertek
3131666
UL STD 60745-1 & 60745-2-15
Certified to CSA
Date Code: STD 60745-1 & 60745-2-15

decal136-2461

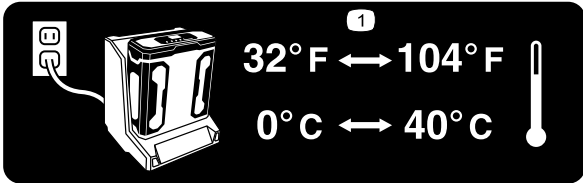
136-2461
Modelo 51491



decal136-2476

136-2476

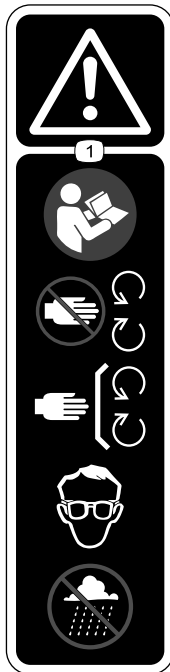
1. La batería se está cargando.
2. La batería está completamente cargada.
3. La batería está demasiado caliente.
4. Sustituya la batería.



decal136-2539

136-2539

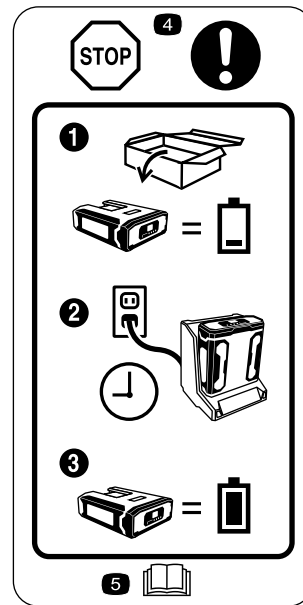
1. Cargue la batería a una temperatura de entre 0 °C y 40 °C (32 °F y 104 °F).



decal136-2533

136-2533

1. Advertencia: lea el *Manual del operador*; manténgase alejado de las piezas móviles; mantenga colocados todos los protectores y cubiertas; utilice protección ocular; no utilice en condiciones húmedas.



decal136-2534

136-2534

1. La batería no se suministra totalmente cargada.
2. Coloque la batería en el cargador.
3. Espere a que la batería este totalmente cargada antes del primer uso.
4. Pare: siga estas instrucciones antes del primer uso.
5. Lea el *Manual del operador*.



decal136-6699

138-6699

Montaje

Nota: En el momento de la compra la batería no está totalmente cargada. Antes de usar la herramienta por primera vez, consulte [Carga de la batería \(página 11\)](#).

Cómo montar el cargador de la batería (opcional)

Si lo desea, monte el cargador de la batería firmemente en la pared utilizando los orificios de montaje en pared en la parte trasera del cargador.

Móntelo en un espacio interior (tal como un garaje u otro lugar seco), cerca de una toma de corriente y fuera del alcance de los niños.

Consulte la [Figura 2](#) para obtener asistencia sobre el montaje del cargador.

Nota: Coloque el cargador sobre las fijaciones correctamente posicionadas y gírelo para fijarlo en su lugar (fijaciones no incluidas).

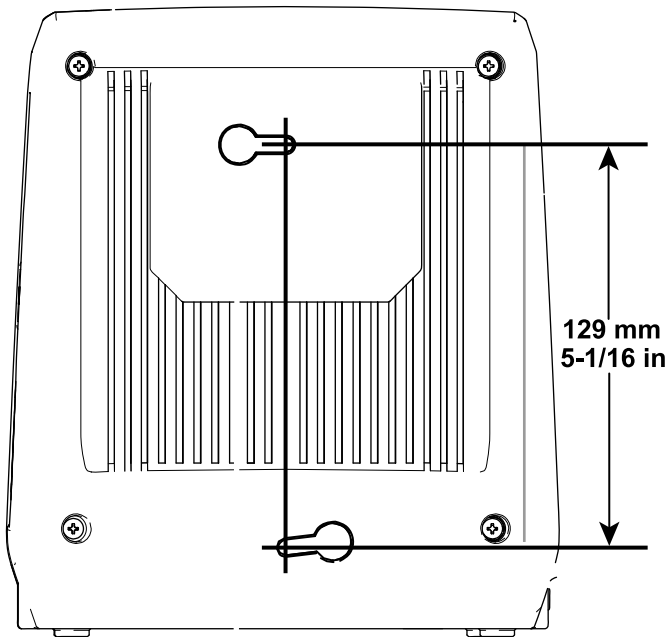


Figura 2

g194202

El producto

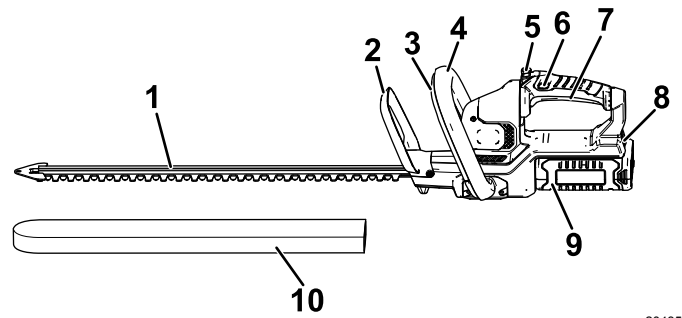


Figura 3

Lado izquierdo del cortasetos

g204357

- | | |
|--|---------------------------|
| 1. Cuchillas | 6. Interruptor de bloqueo |
| 2. Protector | 7. Gatillo |
| 3. Interruptor de la empuñadura auxiliar | 8. Cierre de la batería |
| 4. Empuñadura auxiliar | 9. Batería |
| 5. Botón de rotación de la empuñadura | 10. Funda protectora |

Especificaciones

Modelo	51491	51491T
Longitud de corte	610 mm	
Voltaje nominal	40 Vcc máximo, 36 Vcc nominal	
Velocidad sin carga	3000 cpm a 40 Vcc máx	
Anchura de corte	18 mm	
Tipo de cargador	88542	
Tipo de batería	88540 (incluida con el 51491), 88541 (se vende por separado)	

Intervalos de temperatura adecuados

Cargue la batería a	Entre 0 °C y 40 °C (32 °F y 104 °F)*
Utilice el producto a	Entre -15 °C y 60 °C (5 °F y 140 °F)
Almacene el producto a	Entre -15 °C y 60 °C (5 °F y 140 °F)
Desenchufe el cargador a	Menos de 0 °C (32 °F) o más de 40 °C (104 °F)

* El tiempo de carga será mayor si la temperatura no está en este intervalo durante la carga.

Guarde la herramienta, la batería y el cargador en un lugar cerrado, limpio y seco.

Operación

Cómo arrancar el cortasetos

1. Retire la funda protectora de las cuchillas (Figura 4).

⚠ ADVERTENCIA

Las cuchillas del cortasetos pueden provocar cortes o amputaciones.

Tenga cuidado al manejar el cortasetos con la funda protectora retirada.

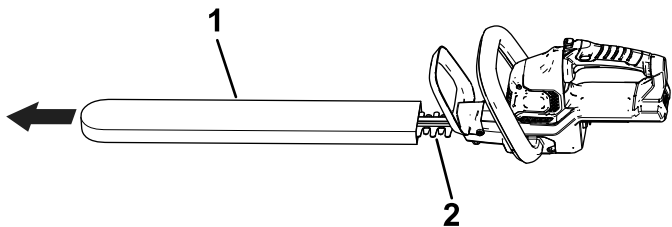


Figura 4

g203890

1. Funda protectora
2. Cuchillas

2. Compruebe que los orificios de ventilación del cortasetos están libres de polvo y residuos.
3. Alinee el hueco de la batería con la lengüeta del alojamiento de la empuñadura, sujete la empuñadura, e introduzca la batería en la empuñadura hasta que el cierre encaje en su sitio (Figura 5).

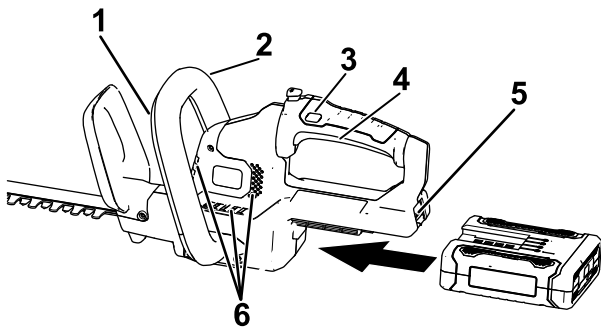


Figura 5

g228569

1. Interruptor de la empuñadura auxiliar
2. Empuñadura auxiliar
3. Interruptor de bloqueo
4. Gatillo
5. Cierre de la batería
6. Zonas de ventilación del cortasetos

4. Coloque una mano en la empuñadura con gatillo. Coloque la otra mano en la empuñadura auxiliar (Figura 5).

5. Presione el interruptor de bloqueo y apriete el interruptor del gatillo mientras activa el interruptor de la empuñadura auxiliar para encender el cortasetos (Figura 5).

El cortasetos seguirá encendido mientras se aprieten el interruptor de la empuñadura auxiliar y el gatillo. Puede soltar el interruptor de interruptor de bloqueo una vez que el cortasetos esté funcionando (Figura 5).

Cómo rotar la empuñadura del cortasetos

1. Mantenga pulsado el botón de bloqueo de la rotación (Figura 6, A).
2. Rote la empuñadura 90° a la izquierda o a la derecha dependiendo del sentido de corte deseado, luego suelte el botón de bloqueo de la rotación para bloquear la empuñadura en la posición deseada (Figura 6, B).

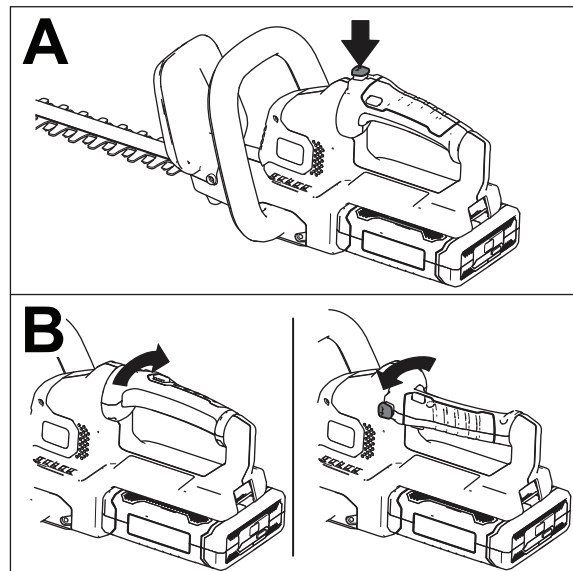


Figura 6

g190070

Cómo parar el cortasetos

Para apagar el cortasetos, suelte el gatillo, el interruptor de la empuñadura auxiliar, o ambos (Figura 5). Espere al menos 5 segundos para que la cuchilla se detenga.

Cuando no esté utilizando la desbrozadora o la esté transportando hacia o desde el área de trabajo, retire la batería.

Cómo retirar la batería

Presione el cierre de la batería en la herramienta para liberar la batería, y retire la batería de la herramienta (Figura 7).

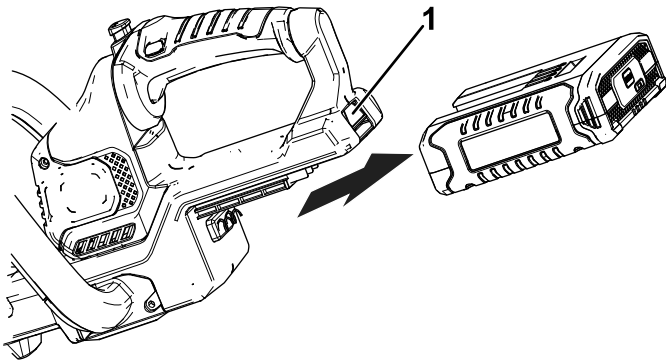


Figura 7

g194190

1. Cierre de la batería

Carga de la batería

Importante: Lea todas las precauciones de seguridad.

Importante: Cargue la batería solo a temperaturas que estén dentro del intervalo apropiado; consulte [Especificaciones \(página 9\)](#).

Nota: En cualquier momento, presione el botón del indicador de carga de la batería para mostrar la carga actual (indicadores LED).

1. Compruebe que los orificios de ventilación de la batería están libres de polvo y residuos.
2. Alinee el hueco de la batería (Figura 8) con la lengüeta del cargador.

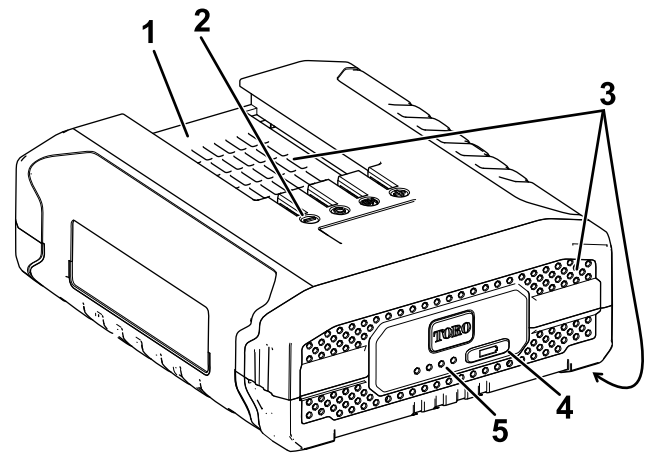


Figura 8

g228487

1. Hueco de la batería
 2. Terminales de la batería
 3. Zonas de ventilación de la batería
 4. Botón del indicador de carga de la batería
 5. Indicadores LED (carga actual)
3. Compruebe que los orificios de ventilación del cargador de la batería están libres de polvo y residuos.
 4. Introduzca la batería en el cargador hasta que esté completamente asentada (Figura 9).

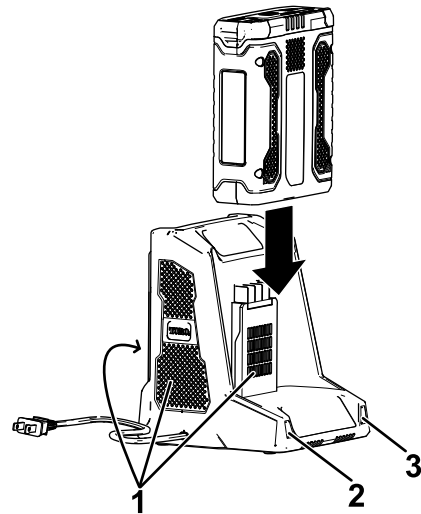


Figura 9

g194423

1. Zonas de ventilación del cargador
2. Indicador izquierdo
3. Indicador derecho

5. Para retirar la batería, deslice la batería hacia atrás para sacarla del cargador.
6. Consulte la tabla siguiente para interpretar los indicadores LED del cargador de la batería.

Indicador izquierdo	Indicador derecho	Indica:
Apagado	Rojo	Cargador encendido, sin batería
Rojo	Rojo	La batería se está cargando
Verde	Rojo	La batería está cargada
Naranja	Rojo	La batería está demasiado caliente
Rojo intermitente	Rojo	Sustituya la batería

Consejos de operación

- Utilice la herramienta eléctrica para cortar en cualquier sentido, con movimientos lentos de barrido de un lado a otro.
- Colóquese de manera estable con el peso repartido entre ambos pies. No intente alcanzar zonas demasiado alejadas.
- Inspeccione la zona y recoja cualquier objeto oculto.
- No utilice el cortasetos nunca cerca de tendidos eléctricos, vallas, postes, edificios y otros objetos inamovibles.
- Si la cuchilla golpea un objeto duro, no la utilice sin antes inspeccionarla en busca de desperfectos. No la use si está dañada.
- No toque nunca las cuchillas ni realice tareas de mantenimiento con el cable de alimentación conectado.
- No fuerce el cortasetos si la vegetación es densa. Esto puede hacer que las cuchillas se agarroten y vayan más despacio. Si las cuchillas empiezan a ir más despacio, reduzca el ritmo de corte.
- No intente cortar tallos o ramitas de más de 18 mm (0.71") de diámetro, o que sean obviamente demasiado grandes para entrar en el mecanismo de corte. Utilice un serrucho manual o una sierra de podar para cortar tallos grandes.
- Si las cuchillas se atascan, pare el motor, espere a que las cuchillas se detengan y retire la batería antes de intentar retirar la obstrucción. **CUIDADO: Las cuchillas pueden desplazarse ligeramente debido a la tensión acumulada.**
- Si lo desea, puede utilizar una cuerda para facilitar el corte horizontal del seto. Decida a qué altura desea dejar el seto. Extienda una cuerda a lo largo del seto a la altura deseada. Corte el seto justo por encima de la línea guía de cuerda.
- Lleve guantes si va a cortar plantas con espinas. Para cortar el crecimiento nuevo, utilice una acción amplia de barrido, de manera que los tallos se dirijan directamente hacia la cuchilla.

Mantenimiento

Desconecte el producto de la corriente (es decir, desenchufe el cable de la red o retire la batería) antes de realizar tareas de mantenimiento o de limpieza.

Utilice únicamente piezas de repuesto y accesorios recomendados por el fabricante.

Inspeccione y haga el mantenimiento del producto periódicamente. El producto solo lo debe reparar un Servicio Técnico Autorizado.

Lubricación de la cuchilla

Nota: Lubrique la cuchilla del cortasetos antes y después de cada uso.

1. Pare el motor y retire la batería.
2. Limpie la suciedad y los residuos del cuerpo del cortasetos usando un paño húmedo con un detergente suave.

Nota: No utilice detergentes fuertes en la carcasa de plástico ni en la empuñadura. Pueden ser dañadas por algunos aceites aromáticos, por ejemplo de pino o limón, y por disolventes como el queroseno.

3. Coloque el cortasetos en una superficie plana. Aplique aceite ligero para máquinas a lo largo del filo de la cuchilla. Si va a utilizar el cortasetos durante un período prolongado, aplique aceite a la cuchilla durante el uso.

Nota: No aplique aceite al cortasetos mientras está en funcionamiento.

Almacenamiento

Importante: Almacene la herramienta, la batería y el cargador solo a temperaturas que estén dentro del intervalo apropiado; consulte [Especificaciones \(página 9\)](#).

Importante: Si va a almacenar la herramienta durante un año o más, retire la batería de la herramienta y cargue la batería hasta que 2 o 3 de los indicadores LED de la batería cambien a azul. No almacene la batería completamente cargada ni completamente descargada. Antes de volver a usar la herramienta, cargue la batería hasta que se encienda el indicador izquierdo del cargador en verde, o hasta que los 4 indicadores LED de la batería se vuelvan azules.

- Desconecte el producto del suministro de energía (es decir, retire el enchufe del suministro de energía o la batería) y compruebe si hay daños después del uso.
- Limpie cualquier material extraño del producto.
- Cuando no se estén utilizando, almacene la herramienta, la batería y el cargador de la batería fuera del alcance de los niños.
- Mantenga la herramienta, la batería y el cargador de la batería alejados de agentes corrosivos como productos químicos de jardín o sal para deshielo.
- Para reducir el riesgo de lesiones personales graves, no almacene la batería en el exterior o en un vehículo.
- Guarde la herramienta, la batería y el cargador en un lugar cerrado, limpio y seco.

Preparación de la batería para el reciclado

Importante: Al retirarla, cubra los terminales de la batería con cinta adhesiva de servicio pesado. No intente destruir o desmontar la batería ni intente retirar cualquiera de los componentes de la misma. Recicle o elimine adecuadamente las baterías de iones de litio en un centro de reciclaje de baterías.



Si desea obtener más información sobre el reciclaje de las baterías de iones de litio o localizar las instalaciones de reciclaje de baterías más próximas, visite www.Call2Recycle.org (EE.UU. y Canadá únicamente). Si se encuentra fuera de EE.UU. o Canadá, póngase en contacto con su distribuidor Toro autorizado.

Solución de problemas

Realice solo los pasos descritos en estas instrucciones. Cualquier otro trabajo de inspección, mantenimiento o reparación debe ser realizado por un Servicio Técnico Autorizado o por un especialista autorizado si no puede solucionar el problema usted mismo.

Problema	Posible causa	Acción correctora
La herramienta no arranca.	<ol style="list-style-type: none"> 1. La batería no está correctamente instalada en la herramienta. 2. La batería no está cargada. 3. La batería está dañada. 4. Hay otro problema eléctrico con la herramienta. 	<ol style="list-style-type: none"> 1. Retire y luego vuelva a colocar la batería en la herramienta, asegurándose de que está completamente instalada y bloqueada. 2. Retire la batería de la herramienta y cárguela. 3. Sustituya la batería. 4. Póngase en contacto con el Servicio Técnico Autorizado.
La herramienta no alcanza la potencia completa.	<ol style="list-style-type: none"> 1. La batería está casi descargada. 2. Los orificios de ventilación están obstruidos. 	<ol style="list-style-type: none"> 1. Retire la batería de la herramienta y cargue la batería completamente. 2. Limpie los orificios de ventilación.
La herramienta produce vibraciones o ruidos excesivos.	<ol style="list-style-type: none"> 1. Las cuchillas están desafiladas o dañadas. 	<ol style="list-style-type: none"> 1. Póngase en contacto con el Servicio Técnico Autorizado.
La batería se descarga rápidamente.	<ol style="list-style-type: none"> 1. La temperatura de la batería está por encima o por debajo del intervalo de temperatura adecuado. 	<ol style="list-style-type: none"> 1. Traslade la batería a un lugar seco cuya temperatura sea de entre 0 °C y 40 °C (32 °F y 104 °F).
El cargador de la batería no funciona.	<ol style="list-style-type: none"> 1. La temperatura del cargador de la batería está por encima o por debajo del intervalo de temperatura adecuado. 2. La toma de corriente en la que está enchufado el cargador de la batería no tiene corriente. 	<ol style="list-style-type: none"> 1. Desenchufe el cargador de la batería y trasládalo a un lugar seco cuya temperatura sea de entre 0 °C y 40 °C (32 °F y 104 °F). 2. Póngase en contacto con un electricista autorizado para que repare la toma de corriente.
La batería muestra solo 3 indicadores LED después de pocos segundos de uso de una batería completamente cargada.	<ol style="list-style-type: none"> 1. Esto es normal. 	<ol style="list-style-type: none"> 1. Pare la herramienta y presione el botón del indicador de carga de la batería o retire la batería de la herramienta para mostrar la carga real de la batería.
Los 4 indicadores LED de la batería parpadean después de presionar el botón del indicador de carga de la batería, y se muestra la carga actual (cuando la batería no se está usando).	<ol style="list-style-type: none"> 1. La temperatura de la batería está por encima o por debajo del intervalo de temperatura adecuado. 	<ol style="list-style-type: none"> 1. Traslade la batería a un lugar seco cuya temperatura sea de entre 0 °C y 40 °C (32 °F y 104 °F).
Los 4 indicadores LED de la batería parpadean después de liberar el gatillo (cuando la batería se está usando).	<ol style="list-style-type: none"> 1. La temperatura de la batería está por encima o por debajo del intervalo de temperatura adecuado. 	<ol style="list-style-type: none"> 1. Traslade la batería a un lugar seco cuya temperatura sea de entre 0 °C y 40 °C (32 °F y 104 °F).
2 indicadores LED de la batería parpadean después de presionar el botón del indicador de carga de la batería, y se muestra la carga actual (cuando la batería no se está usando).	<ol style="list-style-type: none"> 1. Existe una diferencia de voltaje entre las celdas de la batería. 	<ol style="list-style-type: none"> 1. Coloque la batería en el cargador hasta que esté completamente cargada.
2 indicadores LED de la batería parpadean después de liberar el gatillo (cuando la batería se está usando).	<ol style="list-style-type: none"> 1. Existe una diferencia de voltaje entre las celdas de la batería. 	<ol style="list-style-type: none"> 1. Coloque la batería en el cargador hasta que esté completamente cargada.

Problema	Posible causa	Acción correctora
1 indicador LED de la batería parpadea.	1. El voltaje de la batería es bajo.	1. Coloque la batería en el cargador.
Es difícil retirar la batería de la herramienta.	1. La batería/herramienta es nueva o hay corrosión en los terminales de la batería o los terminales de la herramienta.	1. Limpie los terminales de la batería y de la herramienta. Aplique grasa dieléctrica en los terminales de la batería; no utilice otro tipo de lubricante porque podría dañar los terminales.

Información sobre las Advertencias de la Proposición 65 de California

¿Qué significa esta advertencia?

Puede ver un producto a la venta que lleva una etiqueta de advertencia como la siguiente:



ADVERTENCIA: Cáncer y daños reproductivos—www.p65Warnings.ca.gov.

¿Qué es la Proposición 65?

La Proposición 65 afecta a cualquier empresa que tenga presencia en California, que venda productos en California, o que fabrique productos que podrían ser introducidos o vendidos en California. Esta ley exige que el Gobernador de California mantenga y publique una lista de sustancias químicas identificadas como causantes de cáncer, defectos de nacimiento y/u otros daños reproductivos. La lista, que se actualiza anualmente, incluye cientos de productos químicos que se encuentran en muchos artículos de uso diario. El propósito de la Proposición 65 es informar al público sobre la exposición a estos productos químicos.

La Proposición 65 no prohíbe la venta de productos que contengan estos productos químicos, sino que requiere la presencia de advertencias en el producto, el envase y la documentación suministrada con el producto. Además, una advertencia de la Proposición 65 no significa que el producto contravenga ninguna norma o requisito de seguridad. De hecho, el gobierno de California ha aclarado que una advertencia bajo la Proposición 65 "no es lo mismo que una decisión legal sobre la 'seguridad' o la 'inseguridad' de un producto". Muchos de estos productos químicos han sido utilizados durante años en productos de uso diario sin que se hayan producido daños documentados. Para obtener más información, visite <https://oag.ca.gov/prop65/faqs-view-all>.

Una advertencia de la Proposición 65 significa que una empresa (1) ha evaluado la exposición y ha concluido que supera el nivel de "sin riesgo significativo"; o (2) ha optado por proporcionar una advertencia basándose en sus conocimientos respecto a la presencia de un producto químico de los incluidos en la lista, sin intentar evaluar la exposición.

¿Esta ley es aplicable en todas partes?

Las advertencias de la Proposición 65 sólo son obligatorias bajo la legislación de California. Estas advertencias se ven por toda California en una gran variedad de entornos, incluyendo entre otros restaurantes, tiendas de alimentación, hoteles, escuelas y hospitales, y en una amplia variedad de productos. Además, algunos minoristas de Internet y de la venta por correo incluyen advertencias de la Proposición 65 en sus sitios web o en sus catálogos.

¿Qué diferencia hay entre las advertencias de California y los límites federales?

Las normas de la Proposición 65 son a menudo más exigentes que las normas federales o internacionales. Varias sustancias requieren una advertencia bajo la Proposición 65 a niveles muy inferiores a los límites federales. Por ejemplo, el nivel exigido por la Proposición 65 para las advertencias sobre el plomo es de 0.5 µg/día, que es muy inferior a lo que exigen las normas federales e internacionales.

¿Por qué no llevan la advertencia todos los productos similares?

- Los productos vendidos en California deben llevar etiquetas bajo la Proposición 65, mientras que otros productos similares que se venden en otros lugares no las necesitan.
- Una empresa puede estar obligada a incluir advertencias de Proposición 65 en sus productos como condición de un acuerdo tras un procedimiento legal relacionado con la Proposición 65, pero otras empresas que fabrican productos similares no tienen necesariamente la misma obligación.
- La aplicación de la Proposición 65 no es uniforme.
- Algunas empresas pueden optar por no proporcionar advertencias porque concluyen que no están obligadas a hacerlo bajo la Proposición 65; la falta de advertencias en un producto no significa que el producto esté libre de los productos químicos incluidos en la lista a niveles similares.

¿Por qué incluye Toro esta advertencia?

Toro ha optado por proporcionar a los consumidores la mayor cantidad posible de información para que pueda tomar decisiones informadas sobre los productos que compra y utiliza. Toro proporciona advertencias en ciertos casos basándose en sus conocimientos sobre la presencia de uno o más productos químicos de la lista, sin evaluar el nivel de exposición, puesto que la lista no incluye límites de exposición para todos los productos químicos que contiene. Aunque la exposición que provocan los productos Toro puede ser insignificante, o estar dentro de los límites de la categoría "sin riesgo significativo", Toro ha optado por proporcionar las advertencias de la Proposición 65 por simple precaución. Además, si Toro no proporcionara estas advertencias, podría ser demandada por el Estado de California o por particulares bajo la Proposición 65, y estar sujeta a importantes sanciones.



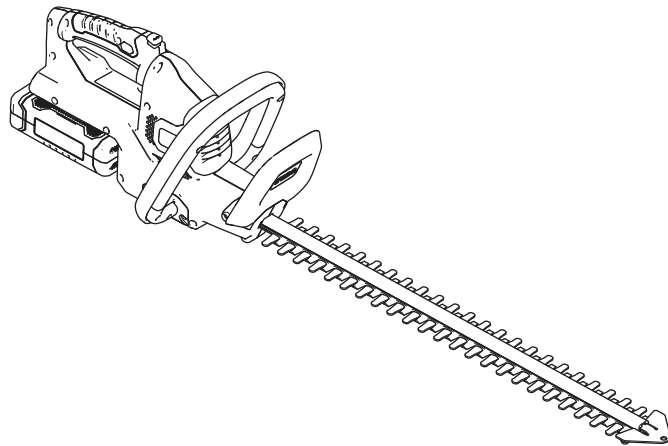
Count on it.

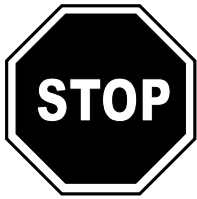
Manuel de l'utilisateur

**Taille-haie PowerPlex 61 cm
(24 po) 40 V MAX**

N° de modèle 51491—N° de série 319000001 et suivants

N° de modèle 51491T—N° de série 319000001 et suivants





Pour tout conseil ou renseignement, appelez notre numéro vert 1-800-237-2654 (États-Unis) ou 1-800-248-3258 (Canada) avant de renvoyer ce produit.

▲ ATTENTION

CALIFORNIE

Proposition 65 - Avertissement

Le cordon d'alimentation de cette machine contient du plomb, une substance chimique considérée par l'état de Californie comme susceptible de provoquer des malformations congénitales et autres troubles de la reproduction. Lavez-vous les mains après avoir manipulé la batterie.

L'utilisation de ce produit peut entraîner une exposition à des substances chimiques considérées pas l'état de Californie comme capables de provoquer des cancers, des anomalies congénitales ou d'autres troubles de la reproduction.

Important: Avec votre appareil mobile, vous pouvez scanner le code QR (le cas échéant) sur la plaque du numéro de série pour accéder à l'information sur la garantie, les pièces détachées et autres renseignements concernant le produit.

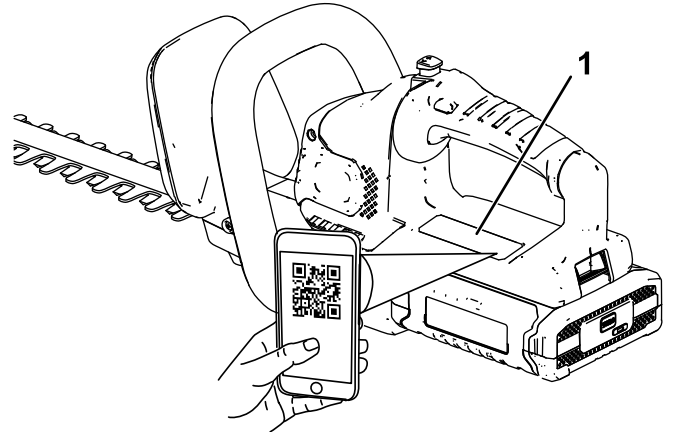


Figure 1

g263352

1. Emplacement des numéros de modèle et de série

Introduction

Ce taille-haie est destiné au grand public, pour la taille des buissons et des haies. Il est conçu pour utiliser uniquement la batterie modèle 88540 (fournie avec le modèle 51491) ou 88541.

Lisez attentivement cette notice pour apprendre comment utiliser et entretenir correctement votre produit, et éviter de l'endommager ou de vous blesser. Vous êtes responsable de l'utilisation sûre et correcte du produit.

Vous pouvez contacter Toro directement sur www.Toro.com pour tout renseignement concernant un produit ou un accessoire, pour obtenir l'adresse des dépositaires, pour connaître tous les détails concernant la garantie ou pour enregistrer votre produit.

Le modèle 51491T ne comprend pas de batterie ni de chargeur.

Sécurité

▲ ATTENTION

Le non respect de tous les avertissements et toutes les consignes peut entraîner des chocs électriques, un incendie et/ou des blessures graves.

Lisez toutes les mises en garde et consignes de sécurité.

Conservez précieusement toutes les mises en garde et consignes de sécurité pour référence ultérieure.

Le terme « outil électrique » utilisé dans les mises en garde renvoie à votre outil électrique branché sur le secteur (câblé) ou alimenté par batterie (sans fil).

1. Sécurité sur la zone de travail

- A. **La zone de travail doit être propre et bien éclairée.** *Les endroits sombres et encombrés sont propices aux accidents.*
- B. **N'utilisez jamais d'outils électriques dans des atmosphères explosives, en présence de liquides, gaz ou poussière inflammables par exemple.** *Les outils électriques produisent des étincelles qui peuvent enflammer la poussière ou les vapeurs/émanations.*
- C. **Tenez enfants et spectateurs à distance pendant l'utilisation d'un outil électrique.** *Les distractions peuvent entraîner la perte de contrôle de l'outil.*
- D. **Évitez les environnements dangereux.** *N'utilisez pas les appareils dans des endroits humides ou mouillés.*

2. Sécurité personnelle

- A. **Restez vigilant; regardez où vous allez et faites preuve de bon sens lorsque vous utilisez un outil électrique. N'utilisez jamais un outil électrique si vous êtes fatigué ou sous l'emprise de l'alcool, de drogues ou de médicaments.** *Un seul moment d'inattention pendant l'utilisation peut entraîner de graves blessures.*
- B. **Utilisez des équipements de protection individuelle. Portez toujours une protection oculaire.** *Les équipements de protection comme les masques antipoussière, les chaussures de sécurité à semelle antidérapante, les casques et les protections antibruit utilisés de manière pertinente réduisent les risques de blessures.*

- C. **Évitez tout démarrage accidentel. Assurez-vous que l'interrupteur marche/arrêt est en position ARRÊT avant de connecter l'outil à une source d'alimentation et/ou à la batterie, de le prendre en main ou de le transporter.** *Des accidents peuvent se produire si vous transportez un outil électrique en gardant le doigt sur l'interrupteur d'alimentation ou si vous le mettez sous tension sans avoir placé l'interrupteur en position arrêt.*
 - D. **Retirez toute clé de réglage ou autre avant de mettre l'outil en marche.** *Une clé oubliée sur une pièce rotative de l'outil électrique pourrait vous blesser.*
 - E. **Ne travaillez pas trop loin devant vous. Gardez toujours les pieds bien posés à terre et faites en sorte de ne pas perdre l'équilibre.** *Vous pourrez ainsi garder le contrôle de l'outil en cas d'événement inattendu.*
 - F. **Portez des vêtements adéquats. Ne portez pas de vêtements amples ni de bijoux pendants. Attachez vos cheveux et n'approchez pas les vêtements ni les gants des pièces en mouvement.** *Les vêtements amples, les bijoux pendants ou les cheveux longs peuvent se prendre dans les pièces mobiles.*
 - G. **Si des dispositifs sont fournis pour le raccordement d'équipements de dépoussiérage et de récupération, assurez-vous qu'ils sont connectés et utilisés correctement.** *L'utilisation d'un dispositif de récupération des poussières peut réduire les risques associés aux poussières.*
- ### 3. Utilisation et entretien des outils électriques
- A. **Ne faites pas forcer l'outil électrique. Utilisez l'outil électrique correct pour la tâche à accomplir.** *Un outil électrique adapté donnera de meilleurs résultats et sera moins dangereux s'il est utilisé dans les limites prévues.*
 - B. **Ne vous servez pas de l'outil électrique si l'interrupteur marche/arrêt ne permet pas de le mettre en marche et de l'arrêter correctement.** *Un outil électrique qui ne peut pas être commandé par l'interrupteur marche/arrêt est dangereux et doit être réparé.*
 - C. **Débranchez l'outil de la source d'alimentation et/ou la batterie de l'outil avant d'effectuer des réglages, de changer d'accessoire ou de le ranger.**

Ces mesures de sécurité préventives réduisent le risque de démarrage accidentel de l'outil.

- D. **Rangez les outils électriques non utilisés hors de portée des enfants et ne confiez leur utilisation qu'à des personnes connaissant leur maniement et ayant lu ces instructions.** *Les outils électriques sont dangereux s'ils sont mis entre les mains d'utilisateurs novices.*
- E. **Maintenez les outils électriques en état de marche. Vérifiez si des pièces sont mal alignées, grippées, cassées ou présentent tout autre défaut susceptible d'affecter le bon fonctionnement de l'outil électrique. S'il est endommagé, faites réparer l'outil électrique avant de l'utiliser.** *De nombreux accidents sont causés par des outils électriques en mauvais état.*
- F. **Gardez les outils de coupe propres et bien affûtés.** *Des outils de coupe entretenus correctement et bien affûtés sont moins susceptibles de coincer et sont plus faciles à contrôler.*
- G. **Utilisez l'outil électrique, les accessoires, les outils rapportés, etc. en conformité avec ces instructions, en tenant compte des conditions de travail et de la tâche à réaliser.** *L'utilisation de l'outil électrique pour des opérations autres que celles prévues peut engendrer une situation dangereuse.*
4. **Utilisation et entretien des outils à batterie**
- A. **Ne les chargez qu'avec le chargeur spécifié par le fabricant.** *Un chargeur convenant à un type de batterie peut créer un risque d'incendie s'il est utilisé avec une autre batterie.*
- B. **Utilisez les outils électriques uniquement avec les batteries spécifiquement prévues.** *L'utilisation d'autres batteries peut créer un risque de blessure et d'incendie.*
- C. **Lorsque la batterie ne sert pas, rangez-la à distance d'objets métalliques tels que trombones, pièces de monnaie, clés, clous, vis ou autre petit objet métallique qui pourrait relier les bornes entre elles.** *Un court-circuit aux bornes de la batterie peut causer des brûlures ou un incendie.*
- D. **Une utilisation abusive peut causer la projection de liquide hors de la batterie; évitez tout contact. En cas de contact accidentel, rincez à l'eau.**

En cas de contact du liquide avec les yeux, consultez en plus un médecin. *Le liquide éjecté de la batterie peut causer des irritations ou des brûlures.*

- E. Le temps de charge augmente si la batterie n'est pas chargée dans la plage de température adéquate; voir [Caractéristiques techniques \(page 9\)](#).

5. Entretien

Confiez l'entretien de votre outil électrique à un réparateur qualifié utilisant exclusivement des pièces de rechange identiques. *La sécurité de votre outil électrique sera ainsi maintenue.*

Avertissements de sécurité

- **N'approchez aucune partie du corps de la lame. Ne retirez pas le matériau coupé et ne tenez pas le matériau à couper pendant le fonctionnement des lames. Vérifiez toujours que le commutateur est en position hors tension avant d'enlever les obstructions. Les lames continuent de fonctionner quelques instants après l'arrêt.** *Un seul moment d'inattention pendant l'utilisation du taille-haie pourrait entraîner de graves blessures.*
- **Portez toujours le taille-haie par la poignée après avoir attendu l'arrêt de la lame.** *Les risques de blessures infligées par les lames sont réduits si le taille-haie est manipulé correctement.*
- **Tenez l'outil uniquement par les surfaces de maintien isolées, car la lame peut toucher des câbles masqués ou son propre cordon d'alimentation.** *Si les lames entrent en contact avec un câble « sous tension », les pièces métalliques exposées peuvent également être mises « sous tension » et vous infliger un choc électrique.*
- **DANGER – N'approchez pas les mains de la lame.** *Tout contact avec la lame causera de graves blessures.*

Avertissements de sécurité supplémentaires

- Gardez toujours les mains et les pieds à distance de l'outil de coupe, surtout quand vous mettez l'appareil en marche.
- N'essayez pas d'attraper ou de retirer les chutes de coupe quand le produit fonctionne. Ne retirez les chutes de coupe que lorsque le produit est éteint et débranché de l'alimentation.
- Ne tenez jamais le produit par le déflecteur.
- Veillez à toujours conserver une position d'utilisation sûre et sécurisée quand vous utilisez le produit.

- N'utilisez jamais le produit sur un escalier ou une échelle. Ne travaillez jamais plus haut qu'à hauteur d'épaule.
- Vérifiez toujours que le déflecteur de sécurité fourni est en place avant d'utiliser le produit. N'essayez jamais d'utiliser un produit incomplet ou ayant fait l'objet d'une modification non agréée.
- Vérifiez régulièrement l'état de l'appareil de coupe et réparez-le immédiatement s'il est endommagé.
- Ne surchargez pas l'appareil.
- Si l'appareil se met à vibrer de façon anormale, vérifiez-le immédiatement. Des vibrations excessives peuvent causer des blessures.
- Arrêtez l'appareil si le dispositif de coupe est bloqué. Débranchez-le de l'alimentation (retirez la batterie) et éliminez l'obstruction. Vérifiez que le dispositif de coupe n'est pas endommagé avant de réutiliser l'appareil.
- Respectez les instructions d'entretien et de réparation de ce produit. Ne modifiez jamais le produit. Des renseignements concernant l'entretien et les réparations sont fournis dans cette notice d'utilisation.
- Apprenez à arrêter le produit rapidement en cas d'urgence.
- N'exposez pas le produit à la pluie. N'utilisez pas le produit sur une haie mouillée.
- Utilisez uniquement le produit à la lumière du jour ou sous un bon éclairage artificiel.
- Avant d'utiliser le produit, vérifiez si la haie comporte des corps étrangers (par ex. des grillages). Veillez à ce que le dispositif de coupe ne touche pas de câble ni aucun autre objet métallique.
- Tenez correctement le taille-haie (par ex. avec les deux mains s'il comprend 2 poignées). Une perte de contrôle risque de causer des blessures.
- Débranchez le chargeur de l'alimentation et laissez-le refroidir avant de le nettoyer, l'entretenir, le remiser et le transporter.
- Avant d'utiliser le chargeur, lisez toutes les instructions et les mises en garde qui apparaissent sur le chargeur et la batterie.
- Le chargeur et la batterie fournis sont spécifiquement conçus pour fonctionner ensemble. Utilisez le chargeur uniquement avec la batterie fournie pour cet outil.
- Chargez la batterie à l'intérieur car le chargeur est destiné exclusivement à une utilisation en intérieur.
- Ne rechargez pas les batteries non rechargeables.
- Protégez le chargeur de l'humidité. Cela représente un risque de choc électrique.
- Ne placez pas d'objet sur le chargeur car il risquerait de surchauffer. Ne placez pas le chargeur à proximité d'une source de chaleur.
- N'utilisez de rallonge avec le chargeur qu'en cas d'absolue nécessité. L'utilisation d'une rallonge du mauvais type pourrait causer un incendie, une décharge électrique ou une électrocution.
- N'utilisez pas le chargeur s'il a subi un choc important, s'il est tombé ou s'il a été endommagé de toute autre façon. Demandez à un centre d'entretien agréé de contrôler et de réparer le chargeur.

Avertissements de sécurité supplémentaires concernant le chargeur

- Ce chargeur peut être utilisé par des personnes présentant des aptitudes physiques, sensorielles ou mentales réduites ou manquant d'expérience ou de connaissances, à la condition qu'elles soient supervisées et formées à l'utilisation sécuritaire du chargeur et qu'elles comprennent les risques impliqués.
- Les enfants ne doivent pas jouer avec le chargeur.
- Le nettoyage et l'entretien ne doivent pas être effectués par des enfants sans supervision.
- Si le cordon d'alimentation est endommagé, il doit être remplacé par le fabricant ou un de ses réparateurs, ou par des personnes qualifiées pour éviter tout danger.
- **Avertissements de sécurité supplémentaires concernant les batteries**
- N'essayez pas de charger la batterie avec un chargeur autre que celui fourni. Le chargeur et la batterie fournis sont spécifiquement conçus pour fonctionner ensemble.
- Pour assurer la longévité et des performances optimales de la batterie, chargez et remisez-la uniquement à des températures comprises dans la plage adéquate; voir [Caractéristiques techniques \(page 9\)](#). Ne chargez et ne remisez pas la batterie à des températures hors de la plage suggérée.
- La batterie peut présenter une légère fuite de liquide à des températures ou dans des conditions d'utilisation extrêmes. Toutefois, si le joint extérieur est endommagé et que ce liquide entre en contact avec votre peau, lavez rapidement la zone concernée à l'eau. En cas de contact du liquide avec les yeux, rincez les yeux à l'eau propre pendant au moins 10 minutes et consultez immédiatement un médecin.
- N'essayez jamais d'ouvrir la batterie pour quelque raison que ce soit. Si le boîtier en plastique de la batterie se casse ou se fissure, cessez immédiatement de l'utiliser et ne la rechargez pas.
- Ne rangez et ne transportez pas de batterie de rechange dans une poche ou une boîte à outils ou

tout autre endroit où elle pourrait entrer en contact avec des objets métalliques. Un court-circuit pourrait se produire et endommager la batterie ou causer des brûlures ou un incendie.

- Ne percez pas la batterie avec des clous, ne la frappez pas avec un marteau, ne marchez pas dessus et ne la soumettez à aucun choc ou impact important.
- Protégez la batterie de la chaleur. Ne placez pas la batterie à la lumière directe du soleil et ne l'utilisez ou ne la rangez pas à l'intérieur d'une voiture par temps chaud. La batterie pourrait produire de la chaleur, exploser ou s'enflammer.
- N'essayez jamais de charger une batterie si elle est fissurée ou endommagée de quelque façon que ce soit. Cela représente un risque de choc électrique ou d'électrocution.

Autocollants de sécurité et d'instruction



Des autocollants de sécurité et des instructions bien visibles par l'opérateur sont placés près de tous les endroits potentiellement dangereux. Remplacez tout autocollant endommagé ou manquant.

Symbole	Désignation/Explication
	Lisez la notice d'utilisation.
	Portez des protecteurs d'oreilles.
	Portez une protection oculaire.
	Portez un masque antipoussière.
	Portez des gants de protection.
	Portez des chaussures de protection à semelle antidérapante.
	N'exposez pas le produit à la pluie ou à l'humidité.
	N'approchez pas les doigts du dispositif de coupe en mouvement.
	Symbole DEEE. Les déchets de produits électriques ne doivent pas être jetés avec les déchets ménagers. Veuillez les recycler lorsque des centres appropriés existent. Adressez-vous aux autorités locales ou à votre magasin local pour tout renseignement concernant le recyclage.

WARNING TO REDUCE THE RISK OF INJURY, USER MUST READ AND UNDERSTAND INSTRUCTION MANUAL. DANGER - KEEP HANDS AWAY FROM BLADE. Do not expose to rain. Risk of eye injury. Use safety glasses or similar eye protection. For use with TORO PowerPlex battery model: 88540 & 88541. For use with TORO PowerPlex charger model: 88542.

AVERTISSEMENT POUR RÉDUIRE LES RISQUES DE BLESSURE, L'UTILISATEUR DOIT LIRE ET COMPRENDRE LE MODE D'EMPLOI. DANGER - N'APPROCHEZ PAS LES MAINS DE LA LÂME. Ne t'exposez pas à la pluie. Risque de blessure oculaire. Utilisez des lunettes de sécurité ou autre protection oculaire semblable. À utiliser avec la batterie TORO PowerPlex, modèle : 88540 & 88541. À utiliser avec le chargeur TORO PowerPlex, modèle : 88542.

*Battery manufacturer rating = 40V maximum & 36V nominal. Actual voltage varies with load. *Tension indiquée par le fabricant de la batterie = 40 V max., 36 V nominale. La tension réelle varie en fonction de la charge.

THE TORO COMPANY
8111 Lyndale Avenue South
Bloomington, MN 55420-1196 USA
PATENT: www.ttcopats.com
Cutting Capacity: 0.71" / Capacité de coupe : 18mm
Country of Origin: PRC
Pays d'origine : PRC

40V MAX* DC 24" / 610mm
Dual Action / Double Action

Model: 51491T
Serial Number: [Redacted]
Date Code: [Redacted]

3131666 STD 60745-1 & 60745-2-15
Certified to CSA
Intertek

decal136-2462

136-2462
Modèle 51491T

WARNING To reduce the risk of injury, user must read the instruction manual. Use only with TORO PowerPlex battery charger. Wear eye protection. Do not short terminals. Do not throw into fire. Risk of fire, explosion and burns. Do not disassemble, crush, expose to heat or incinerate. Keep battery out of reach of children. To reduce risk of injury to persons, remove battery pack when not in use.

AVERTISSEMENT Pour réduire le risque de blessures, l'utilisateur doit lire le manuel d'utilisation. Utilisez uniquement avec chargeur de batterie TORO PowerPlex. Portez des lunettes de protection. Ne pas court-circuiter, ne jetez pas au feu. Risque d'incendie, d'explosion et des brûlures. Ne pas démonter, écraser, exposer à une température excessive ou incinérer. Conservez la batterie hors de portée des enfants. Pour réduire les risques de blessures corporelles, retirez l'ensemble batterie quand la machine ne sert plus.

*Battery manufacturer rating = 40V maximum & 36V nominal. Actual voltage varies with load. *Tension indiquée par le fabricant de la batterie = 40 V max., 36 V nominale. La tension réelle varie en fonction de la charge.

THE TORO COMPANY
8111 Lyndale Avenue South
Bloomington, MN 55420-1196 USA
PATENT: www.ttcopats.com

40V MAX* DC 90 Wh
Li-Ion Battery / Batterie au lithium-ion

Model: 88540
Serial Number: [Redacted]
Date Code: [Redacted]

3131666 STD 60745-1 & 60745-2-15
Certified to CSA
Intertek

decal136-2471

136-2471

TORO

LITHIUM-ION BATTERY CHARGER
CHARGEUR DE BATTERIE LITHIUM-ION
Input: 100-120V AC 50/60Hz Max 3.0A
Output: 41.8V MAX* DC 2.5A

*Battery manufacturer rating = 40V maximum & 36V nominal. Actual voltage varies with load. *Tension indiquée par le fabricant de la batterie = 40 V max., 36 V nominale. La tension réelle varie en fonction de la charge.

Backfeed Protection / Protection contre le retour d'énergie

CAUTION To reduce the risk of injury, user must read the instruction manual. Charge only TORO PowerPlex type rechargeable battery. Other types of batteries may burst causing personal injury and damage. Risk of electric shock. Do not expose to liquid, vapor, or rain. Do not interconnect output terminal. For indoor use only.

ATTENTION Pour réduire le risque de blessures, l'utilisateur doit lire le manuel d'utilisation. Utilisez uniquement pour les batteries rechargeables type TORO PowerPlex. D'autres types de batteries pourraient exploser et causer des blessures ou des dommages. Risque de décharge électrique. Ne pas exposer à des liquides, à la vapeur ou à la pluie. Ne pas interconnecter la borne de sortie. Pour usage intérieur uniquement.

Country of Origin: PRC / Pays d'origine : PRC

THE TORO COMPANY
8111 Lyndale Avenue South
Bloomington, MN 55420-1196 USA
PATENT: www.ttcopats.com

Model: 88542 SL
Serial Number: [Redacted]
Date Code: [Redacted]

3131666 STD C22-2 No.107-2-01
Certified to CSA
Intertek

decal136-2473

136-2473

WARNING TO REDUCE THE RISK OF INJURY, USER MUST READ AND UNDERSTAND INSTRUCTION MANUAL. DANGER - KEEP HANDS AWAY FROM BLADE. Do not expose to rain. Risk of eye injury. Use safety glasses or similar eye protection. For use with TORO PowerPlex battery model: 88540 & 88541. For use with TORO PowerPlex charger model: 88542.

AVERTISSEMENT POUR RÉDUIRE LES RISQUES DE BLESSURE, L'UTILISATEUR DOIT LIRE ET COMPRENDRE LE MODE D'EMPLOI. DANGER - N'APPROCHEZ PAS LES MAINS DE LA LÂME. Ne t'exposez pas à la pluie. Risque de blessure oculaire. Utilisez des lunettes de sécurité ou autre protection oculaire semblable. À utiliser avec la batterie TORO PowerPlex, modèle : 88540 & 88541. À utiliser avec le chargeur TORO PowerPlex, modèle : 88542.

*Battery manufacturer rating = 40V maximum & 36V nominal. Actual voltage varies with load. *Tension indiquée par le fabricant de la batterie = 40 V max., 36 V nominale. La tension réelle varie en fonction de la charge.

THE TORO COMPANY
8111 Lyndale Avenue South
Bloomington, MN 55420-1196 USA
PATENT: www.ttcopats.com
Cutting Capacity: 0.71" / Capacité de coupe : 18mm
Country of Origin: PRC
Pays d'origine : PRC

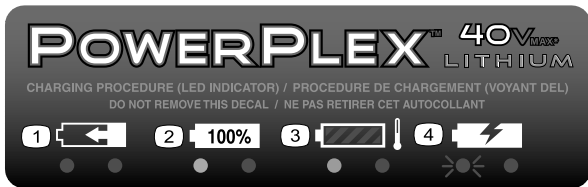
40V MAX* DC 24" / 610mm
Dual Action / Double Action

Model: 51491
Serial Number: [Redacted]
Date Code: [Redacted]

3131666 STD 60745-1 & 60745-2-15
Certified to CSA
Intertek

decal136-2461

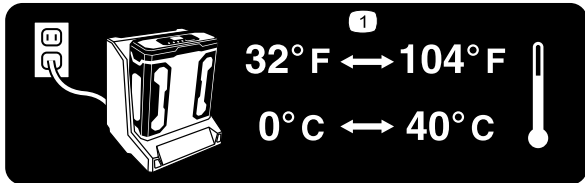
136-2461
Modèle 51491



decal136-2476

136-2476

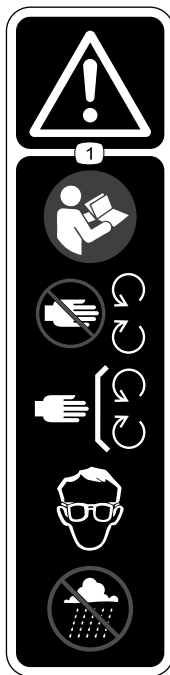
1. La batterie est en charge.
2. La batterie est complètement chargée.
3. La batterie est trop chaude.
4. Remplacez la batterie.



decal136-2539

136-2539

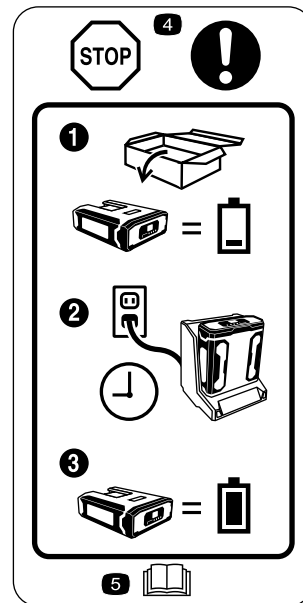
1. Chargez la batterie à une température ambiante comprise entre 0 °C et 40 °C (32 °F et 104 °F).



decal136-2533

136-2533

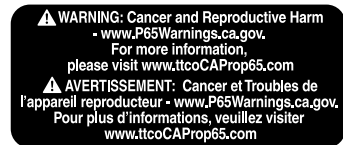
1. Attention – lisez le *manuel de l'utilisateur*; n'approchez pas des pièces en mouvement; laissez toutes les protections et capots en place; protégez-vous les yeux; n'utilisez pas l'appareil par temps humide.



decal136-2534

136-2534

1. La batterie n'est pas chargée au départ.
2. Placez la batterie dans le chargeur de batterie.
3. Attendez que la batterie soit complètement chargée avant la première utilisation.
4. Stop – suivez ces instructions avant la première utilisation.
5. Lisez le *Manuel de l'utilisateur*.



decal138-6699

138-6699

Mise en service

Remarque: La batterie n'est pas complètement chargée lors de l'achat de l'outil. Avant la toute première utilisation de l'outil, voir [Charge de la batterie](#) (page 11).

Montage du chargeur de batterie (option)

Si vous le souhaitez, fixez le chargeur de batterie solidement à un mur à l'aide des fentes de fixation murale situées au dos.

Montez-le à l'intérieur (par exemple dans un garage ou tout autre endroit à l'abri de l'humidité), à proximité d'une prise de courant et hors de la portée des enfants.

Pour vous aider à monter le chargeur, reportez-vous à la [Figure 2](#).

Remarque: Pour fixer le chargeur en place, insérez-le et faites-le pivoter sur les fixations correctement installées (fixations non incluses).

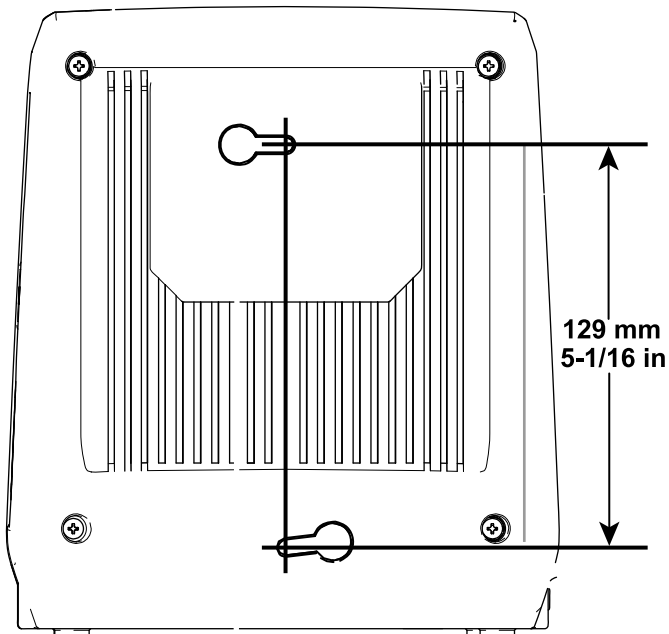
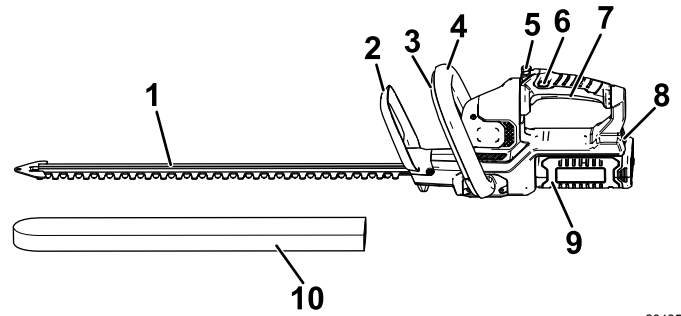


Figure 2

g194202

Vue d'ensemble du produit



g204357

Figure 3

Côté gauche du taille-haie

- | | |
|--------------------------------------|--------------------------------|
| 1. Lames | 6. Commutateur de verrouillage |
| 2. Protection | 7. Gâchette |
| 3. Commutateur de poignée auxiliaire | 8. Verrou de batterie |
| 4. Poignée auxiliaire | 9. Batterie |
| 5. Bouton de rotation de la poignée | 10. Couvercle de protection |

Caractéristiques techniques

Modèle	51491	51491T
Longueur de coupe	610 mm	
Tension nominale	40 V c.c. maximum, 36 V c.c. utilisation nominale	
Vitesse à vide	3000 c/min à 40 V c.c. max.	
Largeur de coupe	18 mm	
Type de chargeur	88542	
Type de batterie	88540 (compris avec 51491), 88541 (vendue séparément)	

Plages de température adéquates

Charger la batterie entre	0 °C (32 °F) et 40 °C (104 °F)*
Utiliser les produits entre	-15 °C (5 °F) et 60 °C (140 °F)
Remiser les produits entre	-15 °C (5 °F) et 60 °C (140 °F)
Débrancher le chargeur	au-dessous de 0 °C (-32 °F) ou au-dessus de 40 °C (104 °F)

*Le temps de charge sera plus long en dehors de cette plage de température.

Rangez l'outil, la batterie et le chargeur dans un lieu fermé, propre et sec.

Utilisation

Démarrage du taille-haie

1. Enlevez le couvercle de protection des lames (Figure 4).

⚠ ATTENTION

Les lames du taille-haie peuvent causer des coupures ou des mutilations.

Manipulez toujours le taille-haie avec prudence quand le couvercle de protection est retiré.

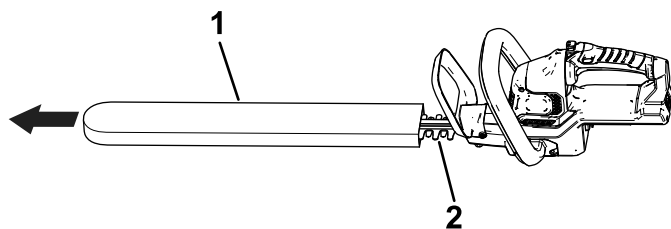


Figure 4

g203890

1. Couvercle de protection
2. Lames

2. Assurez-vous que les prises d'air du taille-haie sont exemptes de toute poussière et tout débris.
3. Alignez le creux de la batterie sur la languette dans le corps de la poignée, saisissez la poignée et poussez la batterie dans la poignée jusqu'à ce que le verrou s'enclenche en position (Figure 5).

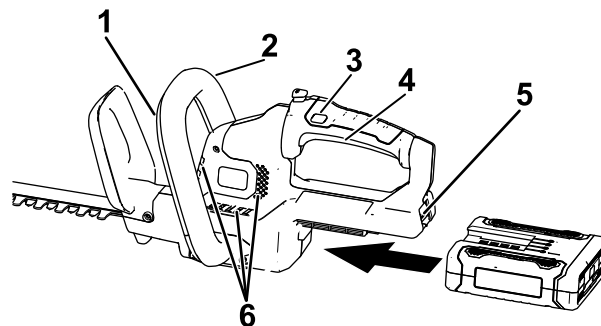


Figure 5

g228569

1. Commutateur de poignée auxiliaire
2. Poignée auxiliaire
3. Commutateur de verrouillage
4. Gâchette
5. Verrou de batterie
6. Prises d'air du taille-haie

4. Placez une main sur la poignée d'actionnement. Placez l'autre main sur la poignée auxiliaire (Figure 5).
5. Appuyez sur le commutateur de verrouillage puis serrez la poignée d'actionnement tout en

actionnant le commutateur de poignée auxiliaire pour mettre le taille-haie en marche (Figure 5).

Le taille-haie reste en marche tant que vous appuyez sur le commutateur de poignée auxiliaire et la gâchette. Vous pouvez relâcher le commutateur de verrouillage une fois que le taille-haie est en marche (Figure 5).

Rotation de la poignée du taille-haie

1. Appuyez de manière prolongée sur le bouton de verrouillage de la rotation (encadré A de la Figure 6).
2. Tournez la poignée de 90° vers la droite ou la gauche selon le sens de coupe recherché, puis relâchez le bouton de verrouillage de la rotation pour bloquer la poignée à la position voulue (encadré B de la Figure 6).

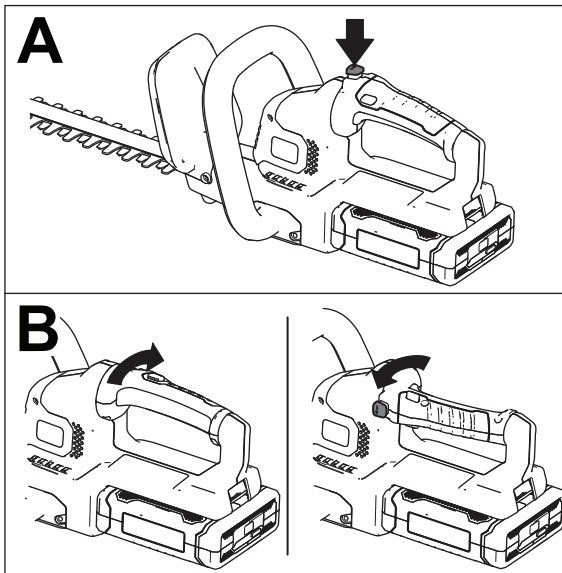


Figure 6

g190070

Arrêt du taille-haie

Pour arrêter le taille-haie, relâchez la gâchette, le commutateur de la poignée auxiliaire ou les deux (Figure 5). Patientez au moins 5 secondes jusqu'à l'arrêt complet de la lame.

Chaque fois que vous cessez d'utiliser la débroussailleuse ou que vous la transportez vers ou de la zone de travail, enlevez la batterie.

Retrait de la batterie

Appuyez sur le verrou de batterie de l'outil afin de débloquer la batterie, et faites glisser cette dernière hors de l'outil (Figure 7).

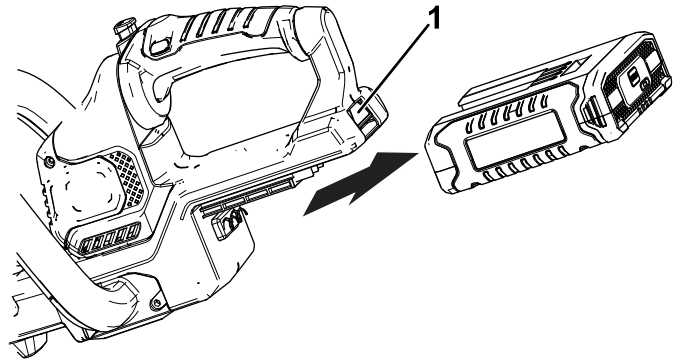


Figure 7

g194190

1. Verrou de batterie

Charge de la batterie

Important: Lisez toutes les consignes de sécurité.

Important: Chargez la batterie uniquement à des températures comprises dans la plage adéquate; voir [Caractéristiques techniques \(page 9\)](#).

Remarque: À tout moment, appuyez sur le bouton indicateur de charge de la batterie pour afficher la charge actuelle (diodes).

1. Assurez-vous que les événements sur la batterie sont exempts de toute poussière et tout débris.
2. Alignez le creux de la batterie (Figure 8) sur la languette du chargeur.

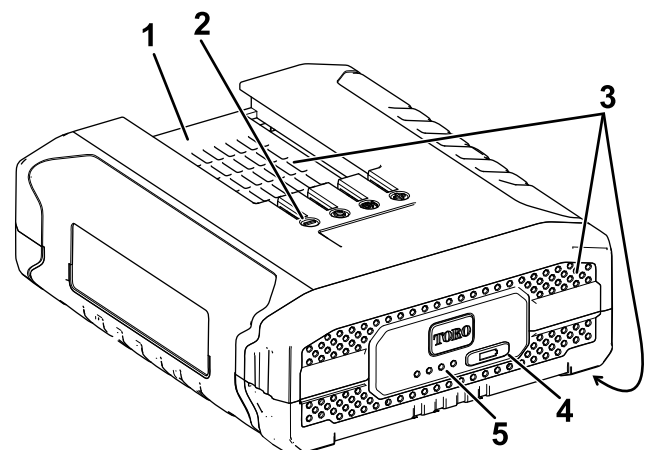


Figure 8

g228487

1. Creux de la batterie
2. Bornes de la batterie
3. Événements de la batterie
4. Bouton indicateur de charge
5. Diodes (charge actuelle)

3. Assurez-vous que les événements sur le chargeur de batterie sont exempts de toute poussière et tout débris.
4. Glissez la batterie dans le chargeur jusqu'à ce qu'elle soit bien enclenchée (Figure 9).

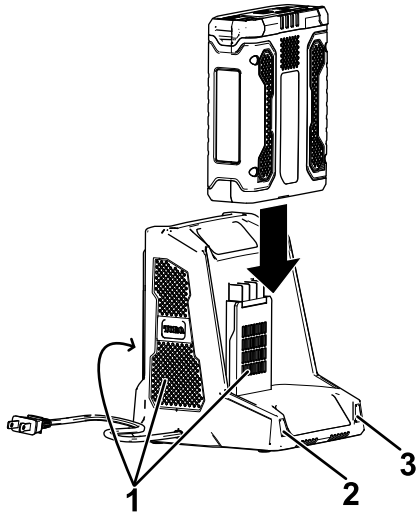


Figure 9

g194423

1. Événements du chargeur
2. Voyant gauche
3. Voyant droit

5. Pour retirer la batterie, faites-la glisser hors du chargeur.
6. Reportez-vous au tableau ci-dessous pour interpréter les indications des diodes sur le chargeur de batterie.

Voyant gauche	Voyant droit	Indique :
Éteint	Rouge	Le chargeur est en marche; aucune batterie n'est insérée
Rouge	Rouge	La batterie est en charge
Vert	Rouge	La batterie est chargée
Orange	Rouge	La batterie est trop chaude
Rouge clignotant	Rouge	Remplacez la batterie

Conseils d'utilisation

- L'outil électrique permet de couper dans un sens ou dans l'autre en exécutant un mouvement de va-et-vient lentement sur le plan transversal.
- Tenez-vous bien en appui sur les deux pieds de manière à ne pas perdre l'équilibre. Ne vous penchez pas trop en avant lorsque vous travaillez.
- Recherchez et éliminez de la zone de travail tous les objets cachés.

- N'utilisez jamais le taille-haie près de lignes électriques, clôtures, poteaux, bâtiments ou autres objets ne pouvant être déplacés.
- Si la lame heurte un objet dur, vérifiez toujours son état avant de vous en servir à nouveau. Ne l'utilisez pas si elle est endommagée.
- Ne touchez jamais les lames et ne faites jamais l'entretien de l'appareil s'il est encore relié à l'alimentation.
- Ne forcez pas le taille-haie dans des buissons épais. Les lames pourraient se coincer et peiner. Si les lames peinent, ralentissez le rythme de coupe.
- N'essayez pas de couper des branchages de plus de 18 mm (0,71 po) de diamètre ou qui sont manifestement trop gros pour être coupés par la lame du taille-haie. Utilisez une scie à main non électrique ou une scie à élaguer pour couper les plus gros branchages.
- Si les lames se coincent, arrêtez le moteur, attendez que les lames s'arrêtent et enlevez la batterie avant d'essayer de remédier à l'obstruction. **PRUDENCE : les lames peuvent bouger légèrement sous l'effet de la tension résiduelle.**
- Vous pouvez utiliser un cordeau pour vous aider à tailler la haie bien droite. Décidez à quelle hauteur vous souhaitez couper la haie. Tendez un cordeau le long de la haie à la hauteur voulue. Taillez la haie juste au-dessus du cordeau.
- Portez des gants pour tailler les buissons épineux ou piquants. Lorsque vous taillez de nouvelles pousses, utilisez un mouvement transversal plus ample pour qu'elles passent directement dans la lame.

Entretien

Débranchez le produit de l'alimentation (autrement dit, retirez la prise de l'alimentation ou la batterie) avant d'effectuer toute opération d'entretien ou de nettoyage.

N'utilisez que des pièces et des accessoires de rechange recommandés par le fabricant.

Inspectez et entretenez régulièrement le produit. Ne confiez la réparation du produit qu'à un dépositaire-réparateur agréé.

Graissage de la lame du taille-haie

Remarque: Huilez la lame du taille-haie avant et après chaque utilisation.

1. Arrêtez le moteur et retirez la batterie.
2. Débarrassez le corps du taille-haie des saletés et débris éventuellement présents avec un chiffon humide et un détergent doux.

Remarque: N'utilisez pas de détergents trop puissants sur le corps en plastique ou la poignée. Ils pourraient être endommagés par certaines huiles aromatiques, telles le pin et le citron, et par des solvants comme le kérosène.

3. Posez le taille-haie sur une surface plane. Appliquez de l'huile pour machine légère sur le bord de la lame supérieure. Si vous prévoyez d'utiliser le taille-haie pendant une période prolongée, huilez la lame en cours d'utilisation.

Remarque: N'huilez jamais le taille-haie pendant qu'il est en marche.

Remisage

Important: Remisez l'outil, la batterie et le chargeur uniquement à des températures comprises dans la plage adéquate; voir [Caractéristiques techniques \(page 9\)](#).

Important: Si vous remisez l'outil pendant un an ou plus, retirez la batterie et chargez-la jusqu'à ce que 2 ou 3 de ses diodes deviennent bleues. Ne remisez pas une batterie à pleine charge ou complètement déchargée. Avant de réutiliser l'outil, chargez la batterie jusqu'à ce que le voyant gauche devienne vert sur le chargeur, ou que les 4 diodes de la batterie deviennent bleues.

- Débranchez le produit de l'alimentation (autrement dit, retirez la prise de l'alimentation ou la batterie) et recherchez tout dommage éventuel après utilisation.
- Débarrassez l'appareil de tout corps étranger.
- Lorsqu'ils ne sont pas utilisés, rangez l'outil, la batterie et le chargeur de batterie hors de la portée des enfants.
- N'approchez pas l'outil, la batterie et le chargeur des agents corrosifs, tels les produits chimiques de jardinage et les sels de dégivrage.
- Pour réduire les risques de blessures graves, ne rangez pas la batterie à l'extérieur ou dans un véhicule.
- Rangez l'outil, la batterie et le chargeur dans un lieu fermé, propre et sec.

Préparation de la batterie pour le recyclage

Important: Après avoir retiré la batterie, recouvrez les bornes de ruban adhésif épais. N'essayez pas de détruire ou de démonter la batterie ni de déposer aucun de ses composants. Recyclez ou débarrassez-vous correctement des batteries au lithium-ion dans un centre de recyclage.



Pour plus de renseignements sur le recyclage des batteries lithium-ion et pour trouver le centre de recyclage de batteries le plus proche, rendez-vous sur www.Call2Recycle.org (États-Unis et Canada seulement). Hors des États-Unis et du Canada, veuillez contacter votre dépositaire Toro agréé.

Dépistage des défauts

Effectuez uniquement les opérations décrites dans cette notice. Tout autre travail d'inspection, d'entretien ou de réparation doit être réalisé par un centre d'entretien agréé ou autre spécialiste qualifié si vous n'arrivez pas à résoudre le problème vous-même.

Problème	Cause possible	Mesure corrective
L'outil ne démarre pas.	<ol style="list-style-type: none"> 1. La batterie n'est pas complètement installée dans l'outil. 2. La batterie n'est pas chargée. 3. La batterie est endommagée. 4. L'outil a un problème de nature électrique. 	<ol style="list-style-type: none"> 1. Retirez et remettez la batterie en place dans l'outil, en vérifiant qu'elle est complètement insérée et enclenchée. 2. Retirez la batterie de l'outil et chargez-la. 3. Remplacez la batterie. 4. Contactez un dépositaire-réparateur agréé.
L'outil n'atteint pas sa pleine puissance.	<ol style="list-style-type: none"> 1. La capacité de charge de la batterie est trop faible. 2. Les événements sont obstrués. 	<ol style="list-style-type: none"> 1. Retirez la batterie de l'outil et chargez-la complètement. 2. Nettoyez les événements.
L'outil produit des vibrations ou des bruits excessifs.	<ol style="list-style-type: none"> 1. Les lames sont émoussées ou endommagées. 	<ol style="list-style-type: none"> 1. Contactez un dépositaire-réparateur agréé.
La batterie se décharge rapidement.	<ol style="list-style-type: none"> 1. La batterie est à une température supérieure ou inférieure à la plage de températures appropriée. 	<ol style="list-style-type: none"> 1. Placez la batterie dans un endroit sec, à une température comprise entre 0 °C (32 °F) et 40 °C (104 °F).
Le chargeur de batterie est défectueux.	<ol style="list-style-type: none"> 1. Le chargeur de batterie est à une température supérieure ou inférieure à la plage de températures appropriée. 2. La prise sur laquelle le chargeur est branché n'est pas alimentée. 	<ol style="list-style-type: none"> 1. Débranchez le chargeur de batterie et placez-le dans un endroit sec, à une température comprise entre 0 °C (32 °F) et 40 °C (104 °F). 2. Adressez-vous à un électricien qualifié pour réparer la prise.
Trois diodes seulement sont allumées sur la batterie au bout de quelques secondes seulement d'utilisation, alors qu'elle est complètement chargée.	<ol style="list-style-type: none"> 1. Cela est parfaitement normal. 	<ol style="list-style-type: none"> 1. Arrêtez l'outil et appuyez sur le bouton indicateur de charge de la batterie, ou retirez la batterie de l'outil pour afficher la charge réelle.
Les 4 diodes clignent sur la batterie après avoir appuyé sur le bouton indicateur de charge, et la charge actuelle s'affiche (quand la batterie n'est pas utilisée).	<ol style="list-style-type: none"> 1. La batterie est à une température supérieure ou inférieure à la plage de températures appropriée. 	<ol style="list-style-type: none"> 1. Placez la batterie dans un endroit sec, à une température comprise entre 0 °C (32 °F) et 40 °C (104 °F).
Les 4 diodes clignent sur la batterie après avoir relâché la gâchette (quand la batterie est utilisée).	<ol style="list-style-type: none"> 1. La batterie est à une température supérieure ou inférieure à la plage de températures appropriée. 	<ol style="list-style-type: none"> 1. Placez la batterie dans un endroit sec, à une température comprise entre 0 °C (32 °F) et 40 °C (104 °F).
Deux diodes clignent sur la batterie après avoir appuyé sur le bouton indicateur de charge, et la charge actuelle s'affiche (quand la batterie n'est pas utilisée).	<ol style="list-style-type: none"> 1. Il y a une différence de tension entre les éléments de la batterie. 	<ol style="list-style-type: none"> 1. Placez la batterie sur le chargeur jusqu'à ce qu'elle soit complètement chargée.
Deux diodes clignent sur la batterie après avoir relâché la gâchette (quand la batterie est utilisée).	<ol style="list-style-type: none"> 1. Il y a une différence de tension entre les éléments de la batterie. 	<ol style="list-style-type: none"> 1. Placez la batterie sur le chargeur jusqu'à ce qu'elle soit complètement chargée.
Une diode clignote sur la batterie.	<ol style="list-style-type: none"> 1. La tension de la batterie est faible. 	<ol style="list-style-type: none"> 1. Placez la batterie sur le chargeur.
Il est difficile de retirer la batterie de l'outil.	<ol style="list-style-type: none"> 1. La batterie/l'outil sont neufs, ou les bornes de la batterie et/ou les bornes de l'outil sont corrodées. 	<ol style="list-style-type: none"> 1. Nettoyez les bornes de la batterie et de l'outil. Appliquez ensuite de la graisse diélectrique sur les bornes de la batterie; n'utilisez aucun autre type de lubrifiant au risque d'endommager les bornes.

Proposition 65 de Californie – Informations concernant cet avertissement

En quoi consiste cet avertissement?

Certains produits commercialisés présentent une étiquette d'avertissement semblable à ce qui suit :



AVERTISSEMENT :Cancer et troubles de la reproduction –
www.p65Warnings.ca.gov.

Qu'est-ce que la Prop 65?

La Prop 65 s'applique à toute société exerçant son activité en Californie, qui vend des produits en Californie ou qui fabrique des produits susceptibles d'être vendus ou importés en Californie. Elle stipule que le Gouverneur de Californie doit tenir et publier une liste des substances chimiques connues comme pouvant causer des cancers, malformations congénitales et/ou autres troubles de la reproduction. Cette liste, qui est mise à jour chaque année, comprend des centaines de substances chimiques présentes dans de nombreux objets du quotidien. La Prop 65 a pour objet d'informer le public quant à l'exposition à ces substances chimiques.

La Prop 65 n'interdit pas la vente de produits contenant ces substances chimiques, mais impose la présence d'avertissements sur tout produit concerné, sur son emballage ou sur la documentation fournie avec le produit. D'autre part, un avertissement Prop 65 ne signifie pas qu'un produit est en infraction avec les normes ou exigences de sécurité du produit. D'ailleurs, le gouvernement californien a clairement indiqué qu'un avertissement Prop 65 « n'est pas une décision réglementaire quant au caractère « sûr » ou « dangereux » d'un produit ». Bon nombre de ces substances chimiques sont utilisées dans des produits du quotidien depuis des années, sans aucun effet nocif documenté. Pour plus d'informations, rendez-vous sur <https://oag.ca.gov/prop65/faqs-view-all>.

Un avertissement Prop 65 signifie qu'une société a soit (1) évalué l'exposition et conclu qu'elle dépassait le « niveau ne posant aucun risque significatif »; soit (2) choisi d'émettre un avertissement simplement sur la base de sa compréhension quant à la présence d'une substance chimique de la liste, sans tenter d'en évaluer l'exposition.

Cette loi s'applique-t-elle de partout?

Les avertissements Prop 65 sont exigés uniquement en vertu de la loi californienne. Ces avertissements sont présents à travers toute la Californie, dans des environnements très variés, notamment mais pas uniquement les restaurants, magasins d'alimentations, hôtels, écoles et hôpitaux, et sur un vaste éventail de produits. En outre, certains détaillants en ligne et par correspondance fournissent des avertissements Prop 65 sur leurs sites web ou dans leurs catalogues.

Comment les avertissements de Californie se comparent-ils aux limites fédérales?

Les normes Prop 65 sont souvent plus strictes que les normes fédérales et internationales. Diverses substances exigent un avertissement Prop 65 à des niveaux bien inférieurs aux limites d'intervention fédérales. Par exemple, la norme Prop 65 en matière d'avertissements pour le plomb se situe à 0,5 µg/jour, soit bien moins que les normes fédérales et internationales.

Pourquoi l'avertissement ne figure-t-il pas sur tous les produits semblables?

- Pour les produits commercialisés en Californie, l'étiquetage Proposition 65 est exigé, tandis qu'il ne l'est pas sur des produits similaires commercialisés ailleurs.
- Il se peut qu'une société impliquée dans un procès lié à la Proposition 65 et parvenant à un accord soit obligée d'utiliser les avertissements de la Proposition 65 pour ses produits, tandis que d'autres sociétés fabriquant des produits semblables peuvent ne pas être soumises à cette obligation.
- L'application de la Proposition 65 n'est pas uniforme.
- Certaines sociétés peuvent choisir de ne pas indiquer d'avertissements car elles considèrent qu'elles n'y sont pas obligées au titre de la Proposition 65; l'absence d'avertissements sur un produit ne signifie pas que le produit ne contient pas de substances de la liste à des niveaux semblables.

Pourquoi Toro indique-t-elle cet avertissement?

Toro a choisi de fournir aux consommateurs le plus d'informations possibles afin qu'ils puissent prendre des décisions éclairées quant aux produits qu'ils achètent et utilisent. Toro fournit des avertissements dans certains cas d'après ses connaissances quant à la présence de l'une ou plusieurs des substances chimiques de la liste, sans en évaluer le niveau d'exposition, car des exigences de limites ne sont pas fournies pour tous les produits chimiques de la liste. Bien que l'exposition avec les produits Toro puisse être négligeable ou parfaitement dans les limites « sans aucun risque significatif », par mesure de précaution, Toro a décidé de fournir les avertissements de la Proposition 65. De plus, en l'absence de ces avertissements, la société Toro pourrait être poursuivie en justice par l'État de Californie ou par des particuliers cherchant à faire appliquer la Proposition 65, et donc assujettie à d'importantes pénalités.



Count on it.