



**Count on it.**

**Parts Catalog**

**Groundsmaster® 4000-D  
Traction Unit**

Model No. 30412—Serial No. 290000111 and Up



# Ordering Replacement Parts

To order replacement parts, please supply the part number, the quantity, and the description of each part desired.

## Understanding Reference Numbers

Each identified part in an illustration has a reference number. The reference number for a part also appears in the parts list, along with other information about the part.

This catalog uses two special reference number formats, one to indicate parts in a service assembly and another to indicate the quantity of a given part in an illustration.

## Service Assembly Reference Numbers

Parts in service assemblies have reference numbers in the form a:b. The a represents the reference number of the entire service assembly and the b represents a sequential number unique to each part within the service assembly.

For example, a wheel assembly might be identified by reference number 6, the tire by 6:1, the valve by 6:2, and the wheel by 6:3. When you order the assembly identified by reference number 6, you receive all parts identified by reference numbers 6:1, 6:2, and 6:3. However, you may also order any part individually. Reference numbers of this type appear in illustration and in parts lists.

## Reference Numbers Indicating Quantity

In an illustration, if a reference number indicates more than one part, the reference number has the form nX y. The n represents the quantity of the part, the X is the multiplication symbol, and the y represents the reference number.

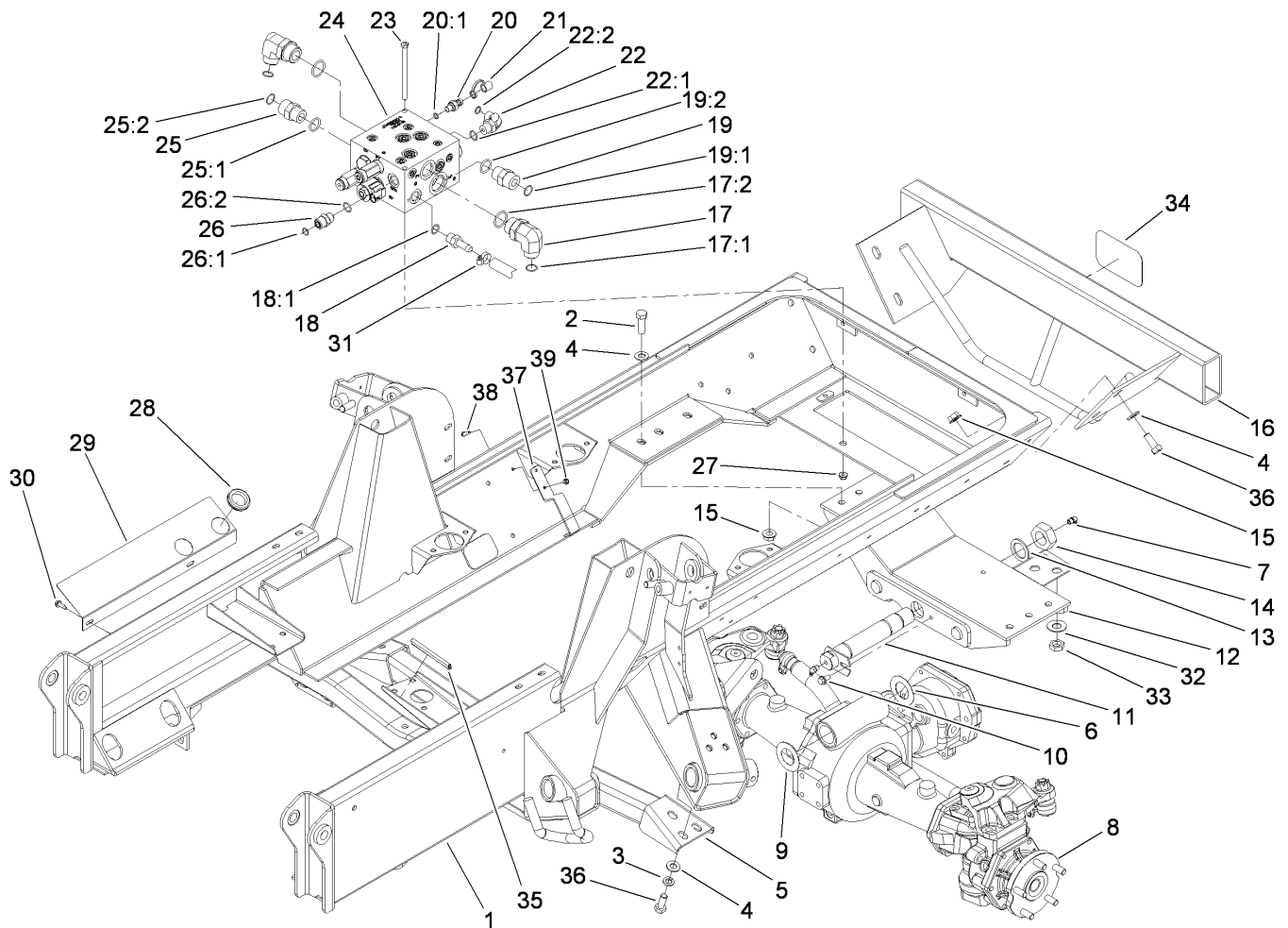
For example, in an illustration, the reference number 2X 37 means that two of the parts identified by reference number 37 are indicated.

# Contents

Frame, Rear Axle Mount and Bumper Assembly .....	5
4-Wheel Drive Manifold Assembly No. 112-9123 .....	6
Bevel Pinion Shaft Assembly Rear Axle Assembly No. 110-4750 .....	7
Differential Assembly Rear Axle Assembly No. 110-4750 .....	8
Axle Support Assembly Rear Axle Assembly No. 110-4750 .....	9
Bevel Gear Case Assembly Rear Axle Assembly No. 110-4750 .....	10
Bevel Gear Shaft Assembly Rear Axle Assembly No. 110-4750 .....	11
Axle Case Assembly Rear Axle Assembly No. 110-4750 .....	12
Axle Assembly Rear Axle Assembly No. 110-4750 .....	13
4 Wheel Drive Rear Axle and Tire Assembly .....	14
Piston Motor Assembly No. 104-0764 .....	15
Steering Cylinder Assembly No. 105-0775 .....	16
Planetary, Brake and Tire Assembly .....	17
Planetary Assembly No. 105-4588-03 .....	19
Brake Assembly No. 100-3069-03 .....	20
Piston Motor Assembly No. 100-3052 .....	21
Hydraulic PTO Manifold Assembly No. 115-8467 .....	22
Brake Assembly No. 100-3070-03 .....	23
Hydraulic PTO Manifold Assembly No. 115-8469 .....	24
Hydraulic PTO Manifold Assembly No. 115-8468 .....	25
Platform and Seat Base Assembly .....	26
Air Ride Seat Suspension Assembly Model No. 30621 .....	28
Premium Seat Assembly Model No. 30622 .....	30
Steering Tower Assembly .....	31
Steering Valve Assembly No. 114-5074 .....	32
Traction Pedal and Linkage Assembly .....	33
Brake Pedal and Linkage Assembly .....	34
Control Console and Tool Box Assembly .....	35
Control Console Assembly .....	37
Control Valve Assembly No. 105-4563 .....	39
Valve Assembly No. 104-0788 .....	40
Fuel Tank, Battery and Roll-Over Protection System Assembly .....	41
Front Deck Lift Arm and Cylinder Assembly .....	42
Hydraulic Cylinder Assembly No. 107-4304 .....	44
Gear Motor Assembly No. 99-5489 .....	45
Side Deck Lift Arm, Cylinder and Latch Assembly .....	46
Hydraulic Cylinder Assembly No. 107-4303 .....	47
Side Deck Lift Arm and Damper Assembly .....	48
Hood and Screen Assembly .....	50
Air Cleaner and Muffler Assembly .....	51
Air Cleaner Assembly No. 99-5410 .....	52
Radiator, Oil Cooler and Support Assembly .....	53
Engine Mount, Fuel Line and Fan Drive Assembly .....	55
Hydraulic Motor Assembly No. 114-9762 .....	56
Flywheel and Throttle Assembly .....	57
Hydraulic Reservoir and Filter Assembly .....	58
Hydraulic Manifold Assembly No. 114-8129 .....	59
Pump Installation and Filter Assembly .....	60
Piston Pump Assembly No. 114-9769 .....	62
Control Assembly No. 115-4446 .....	63
Traction Manifold Assembly No. 112-9124 .....	64
Fan Drive Manifold Assembly No. 114-3847 .....	65
Pump Assembly No. 114-9770 .....	66
Traction Hydraulic Plumbing Assembly .....	67

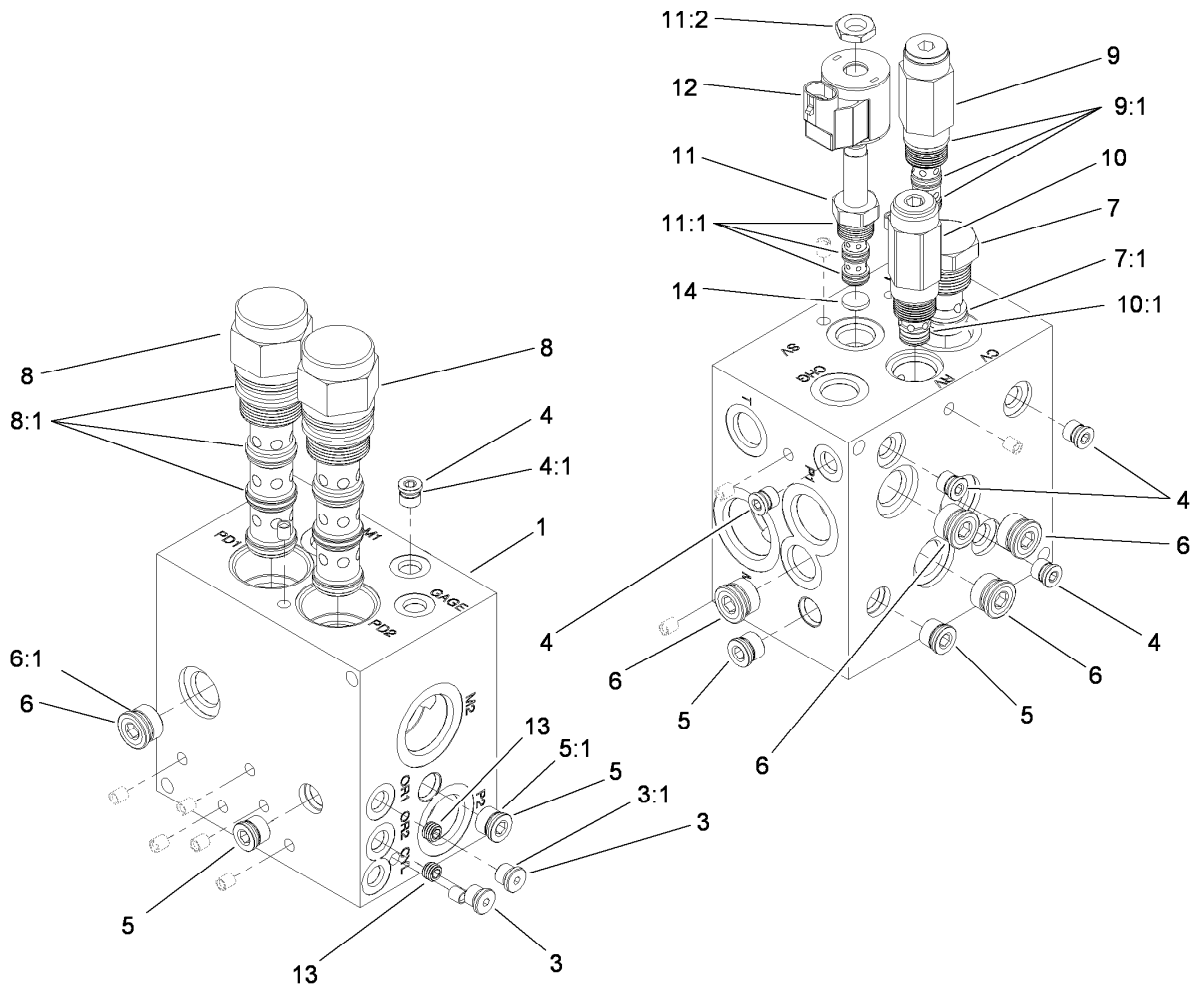
# Contents (continued)

Power-Take-Off Hydraulic Plumbing Assembly . . . . .	68
Lift Arm Hydraulic Plumbing Assembly . . . . .	69
Steering Hydraulic Assembly . . . . .	70
Front Deck, Idler and Skid Assembly . . . . .	71
Double Driven Spindle Assembly No. 104-3530 . . . . .	72
High Driven Spindle Assembly No. 104-3531 . . . . .	73
Front Deck Castor Arm and Tire Assembly . . . . .	74
Front Deck Spindle Installation Assembly . . . . .	75
Front Deck Rear Discharge Chamber and Cover Assembly . . . . .	76
Right Hand Deck, Idler and Skid Assembly . . . . .	77
Low Driven Idler Assembly No. 104-3532 . . . . .	78
Right and Left Hand Castor Arm and Tire Assembly . . . . .	79
Right and Left Hand Deck Spindle Installation Assembly . . . . .	80
Right Hand Deck Rear Discharge Chamber and Cover Assembly . . . . .	81
Left Hand Deck, Idler and Skid Assembly . . . . .	82
Left Hand Deck Rear Discharge Chamber and Cover Assembly . . . . .	83
Crankcase Assembly . . . . .	84
Oil Pan Assembly . . . . .	85
Cylinder Head Assembly . . . . .	86
Gear Case Assembly . . . . .	87
Cylinder Head Cover Assembly . . . . .	88
Oil Filter Assembly . . . . .	89
Dipstick and Guide Assembly . . . . .	90
Oil Pump Assembly . . . . .	91
Main Bearing Case Assembly . . . . .	92
Cam Shaft and Idle Gear Assembly . . . . .	93
Piston and Crankshaft Assembly . . . . .	94
Flywheel Assembly . . . . .	95
Fuel Camshaft and Governor Shaft Assembly . . . . .	96
Idle Apparatus and Stop Solenoid Assembly . . . . .	97
Injection Pump Assembly . . . . .	98
Governor Assembly . . . . .	99
Speed Control Plate Assembly . . . . .	100
Nozzle Holder and Glow Plug Assembly . . . . .	101
Alternator and Pulley Assembly . . . . .	102
Alternator Component Part Assembly . . . . .	103
Starter Assembly . . . . .	104
Starter Component Assembly . . . . .	105
Water Flange and Thermostat Assembly . . . . .	106
Water Pump Assembly . . . . .	107
Valve and Rocker Arm Assembly . . . . .	108
Inlet and Exhaust Manifold Assembly . . . . .	109
Turbo Charger Assembly . . . . .	110
Oil Pipe (Turbo Charger) Assembly . . . . .	111
Oil Cooler Assembly . . . . .	112
Muffler Gasket, Glow Controller and Operator Manual . . . . .	113
Upper Gasket Kit . . . . .	114
Lower Gasket Kit . . . . .	115
Attachments and Accessories . . . . .	116



## Frame, Rear Axle Mount and Bumper Assembly

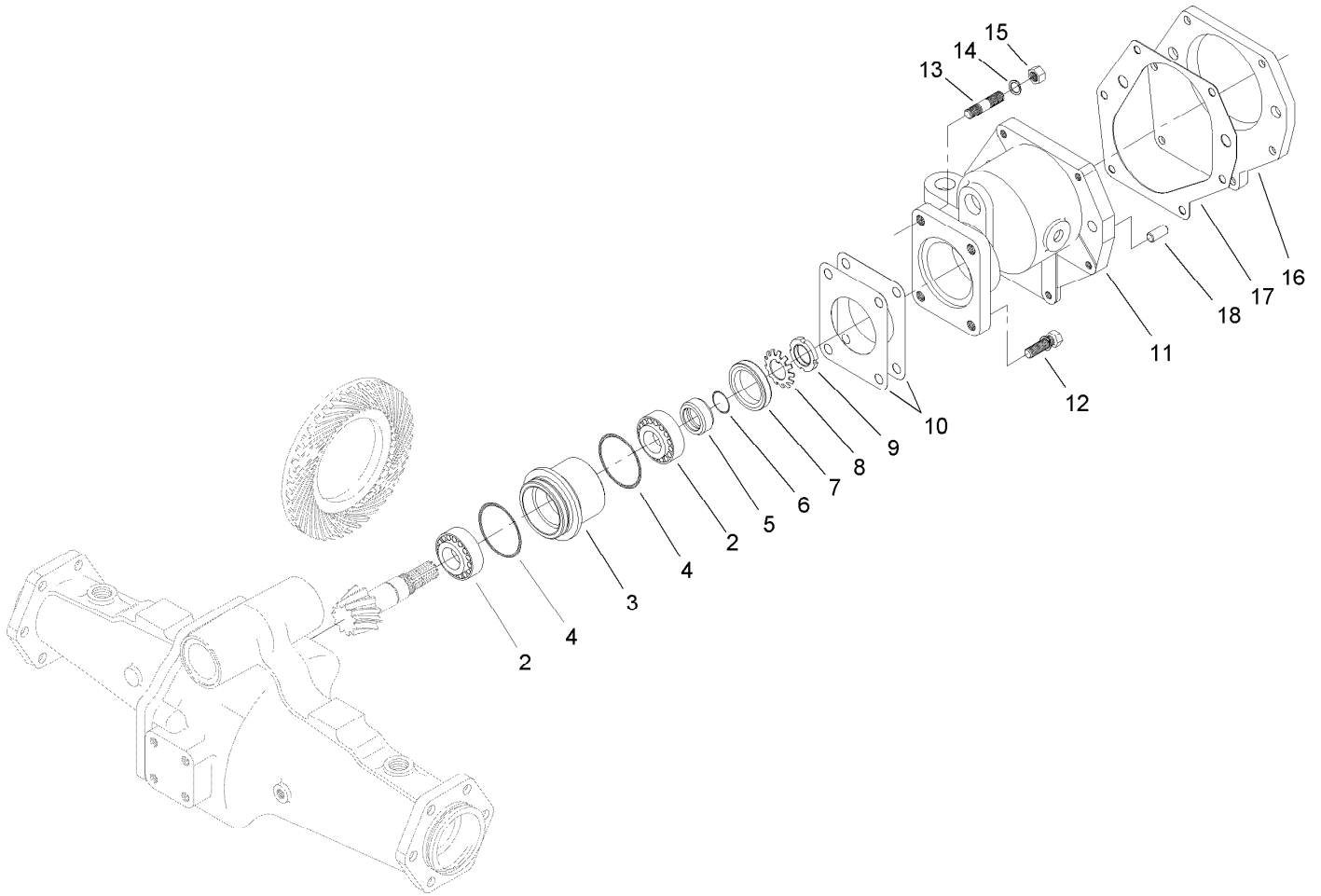
Ref.	Part Number	Qty.	Description	Ref.	Part Number	Qty.	Description
1	99-5450-03	1	Frame	21	354-79	1	Cap-Dust
2	325-6	6	Screw-HH	22	340-98	1	Fitting-Elbow, 90 DEG
3	3253-7	6	Washer-Lock	22:1	237-79	1	O-Ring
4	3256-26	16	Washer-Flat	22:2	237-30	1	O-Ring
5	115-3760-03	1	Support-Frame	23	322-29	2	Screw-HH
6	99-8432	2	Washer-Thrust	24	112-9123	1	4-Wheel Drive Manifold ASM
7	302-33	2	Fitting-Grease	25	340-103	1	Fitting-HYD, 45 DEG
8	110-4750	1	Drive Axle ASM	25:1	237-78	1	O-Ring
9	99-8431	2	Washer-Thrust	25:2	237-21	1	O-Ring
10	32144-14	1	Screw-HWHTF	26	340-4	1	Fitting-Straight
11	98-7077	1	Pin-Axle, Rear	26:1	237-30	1	O-Ring
12	107-0230-03	1	Mount-Rear	26:2	237-79	1	O-Ring
13	92-1765	1	Washer-Thrust	27	104-8300	2	Nut-HF, NI
14	3296-68	1	Nut-Lock, NI	28	240-3	2	Grommet-Rubber
15	32128-23	10	Nut-HF	29	104-3562-03	1	Shield-Splash
16	104-7505-03	1	Bumper	30	32104-95	2	Screw-HWH
17	340-15	2	Fitting-Elbow 90	31	2412-36	1	Clamp-Hose
17:1	237-58	1	O-Ring	32	69-8940	2	Washer
17:2	237-146	1	O-Ring	33	340-70	2	Nut-Lock
18	354-121	1	Fitting-STR	34	67-1300	1	Decal
18:1	237-79	1	O-Ring	35	108-8079	2	Trim
19	340-9	2	Fitting-STR	36	325-5	10	Screw-HH
19:1	237-58	1	O-Ring	37	115-8485	1	Clamp-Hose
19:2	237-81	1	O-Ring	38	3290-126	2	Screw-HWH
20	354-77	1	Fitting-Quick	39	3296-2	2	Nut-Lock, NI
20:1	237-78	1	O-Ring				



## 4-Wheel Drive Manifold Assembly No. 112-9123

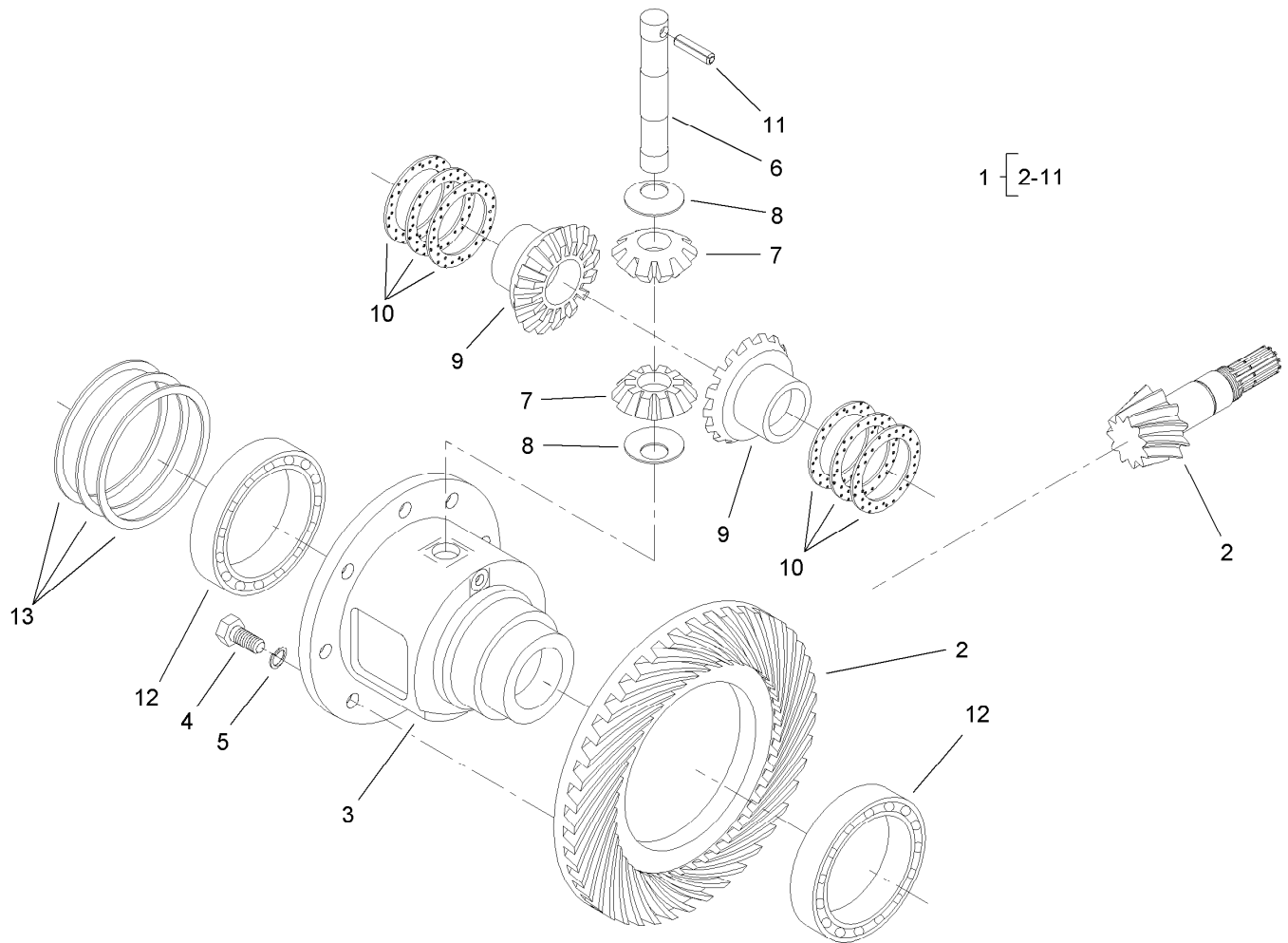
Ref.	Part Number	Qty.	Description
1		1	Manifold Block ●
3	353-990	2	Plug ASM
3:1	237-78	1	O-Ring
4	106-1025	5	Plug-HYD
4:1	237-78	1	O-Ring
5	106-1026	4	Plug-HYD
5:1	237-42	1	O-Ring
6	106-1027	5	Plug-HYD
6:1	237-79	1	O-Ring
7	110-0468	1	Valve-Check, 5 PSI
7:1	110-0470	1	Seal Kit
8	110-0491	2	Valve-Directional
8:1	106-6775	1	Seal Kit
9	110-0499	1	Valve-Reducing, Pressure
9:1	105-9154	1	Seal Kit
10	110-0493	1	Valve-Relief
10:1	110-6316	1	Seal Kit
11	110-0494	1	Valve-Solenoid
11:1	110-8773	1	Seal Kit
11:2	110-2634	1	Nut-Coil
12	110-0497	1	Coil-Solenoid
13	110-0495	2	Plug-Orifice (0.050 Inch)
14	110-0498	1	Orifice (.030)

● Not serviced separately



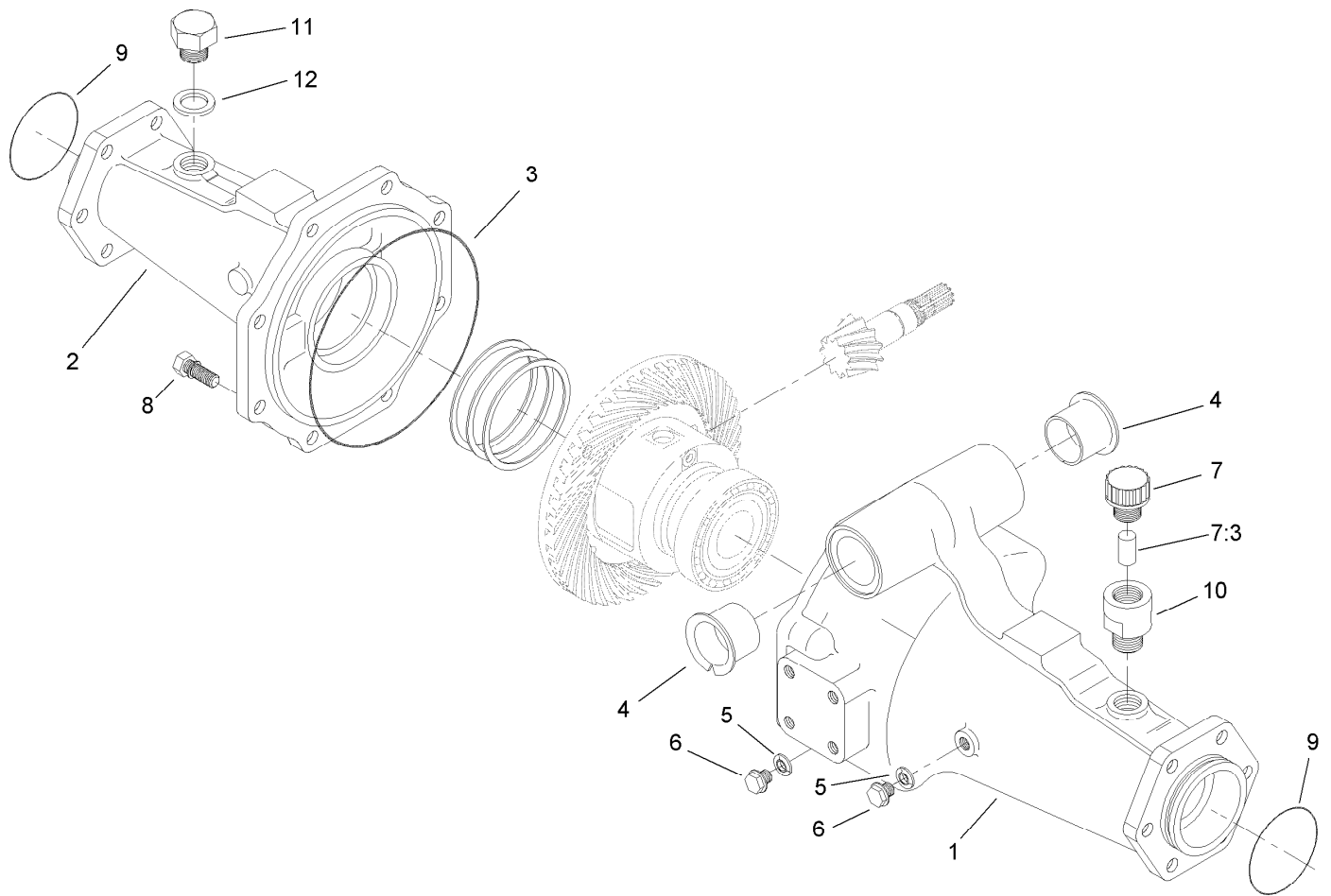
## Bevel Pinion Shaft Assembly Rear Axle Assembly No. 110-4750

<i>Ref.</i>	<i>Part Number</i>	<i>Qty.</i>	<i>Description</i>
2	99-7570	2	Bearing-Roller, Taper
3	95-7534	1	Case-Bearing
4	106-1065	2	O-Ring
5	99-7572	1	Collar-Seal, Oil
6	106-1066	1	O-Ring
7	99-7574	1	Seal-Oil
8	99-7559	1	Washer-Lock
9	99-7560	1	Nut-Lock
10	99-7550	2	Shim 0.1
10	99-7551	2	Shim 0.2
11	95-7533	1	Case-Gear
12	99-7575	2	Bolt
13	98-7735	2	Stud
14	99-7527	2	Washer-Spring
15	99-7526	2	Nut
16	95-7541	1	Plate-Cover
17	106-1140	1	Gasket
18	104-2353	2	Pin-Dowel



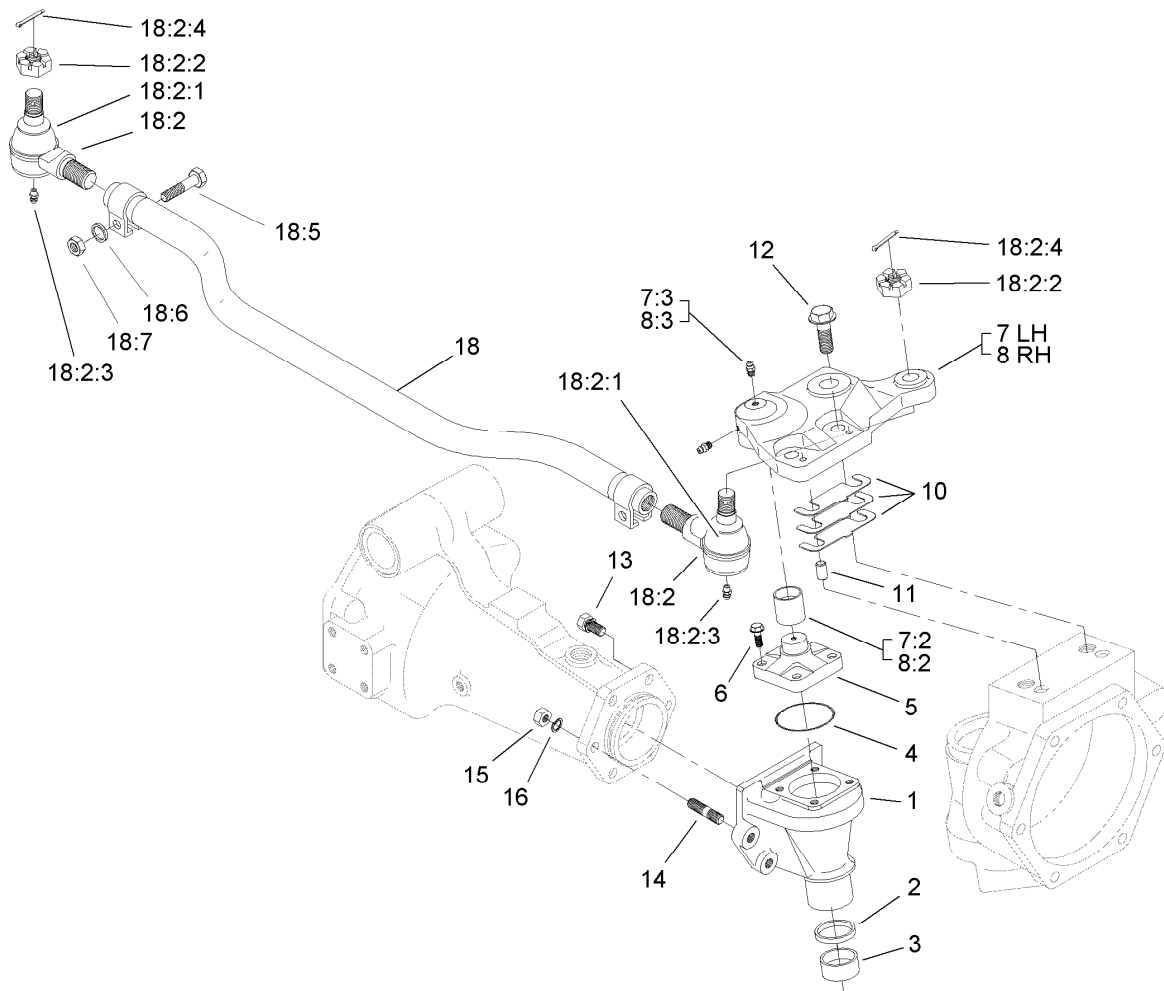
## Differential Assembly Rear Axle Assembly No. 110-4750

Ref.	Part Number	Qty.	Description
1	95-7503	1	Differential ASM
2	100-2555	1	Ring And Pinion Matched Set
3	95-7502	1	Case-Differential
4	99-7576	8	Bolt
5	3253-4	8	Washer-Lock
6	99-7578	1	Shaft-Differential
7	99-7579	2	Pinion-Differential
8	99-7580	2	Washer-Differential
9	99-7581	2	Gear-Differential
10	99-7582	2	Washer-Differential
10	99-7583	2	Washer-Differential
10	99-7584	2	Washer-Differential
11	99-7588	1	Pin-Spring
12	99-7562	2	Bearing-Ball
13	99-7585	2	Shim 0.1
13	99-7586	2	Shim 0.2
13	99-7587	2	Shim 0.4



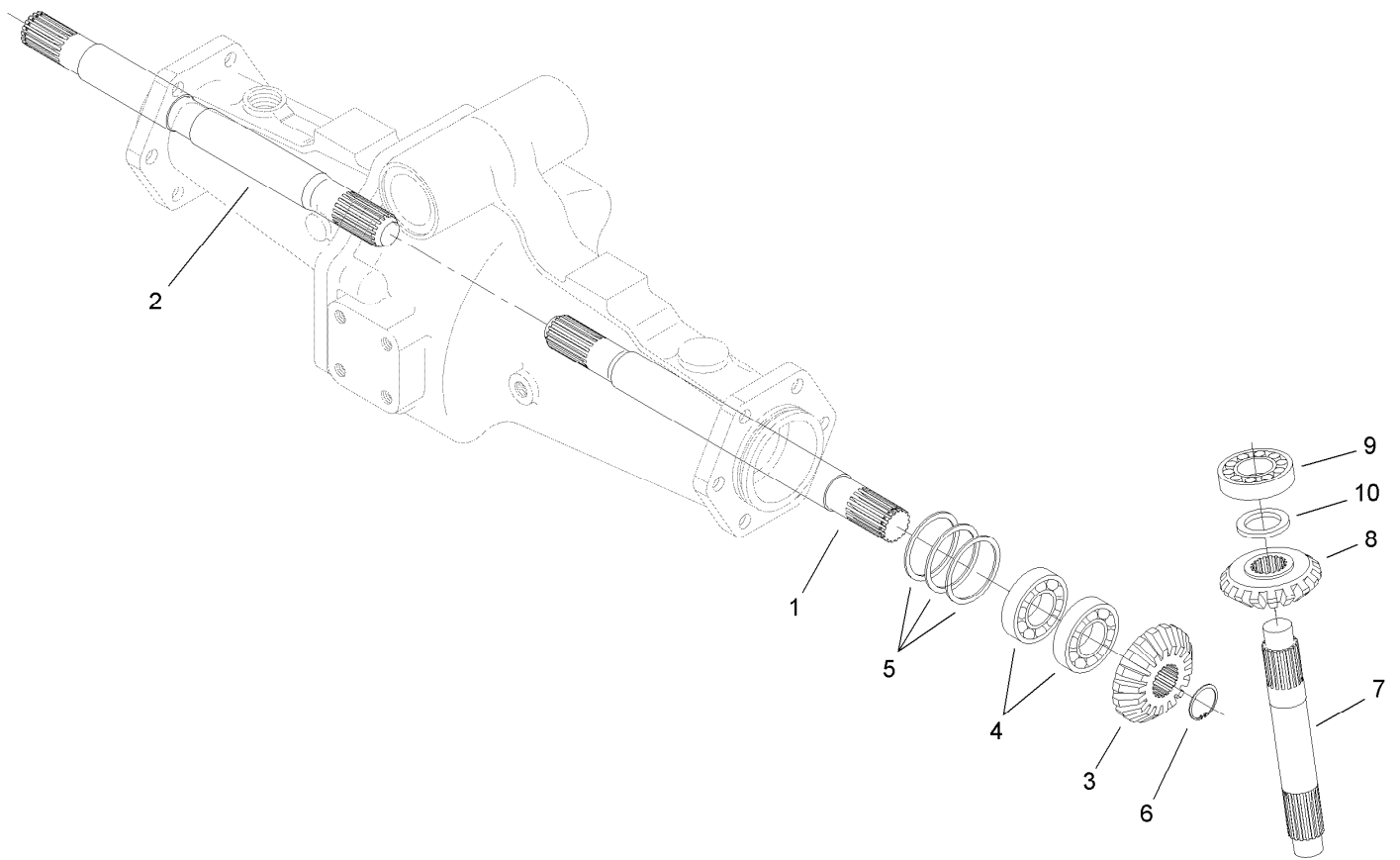
## Axle Support Assembly Rear Axle Assembly No. 110-4750

<i>Ref.</i>	<i>Part Number</i>	<i>Qty.</i>	<i>Description</i>
1	95-7508	1	Support-Axle
2	95-7506	1	Support-Axle
3	106-1067	1	O-Ring
4	95-7537	2	Bushing-Flanged
5	99-7590	2	Washer-Seal
6	99-7589	2	Plug
7	110-4812	1	Axle Vent ASM
7:3	110-4815	1	Insert-Filter, Foam
8	99-7592	8	Bolt
9	106-1068	2	O-Ring
10	104-2377	1	Extension-Vent
11	104-8643	1	Plug
12	104-8644	1	O-Ring



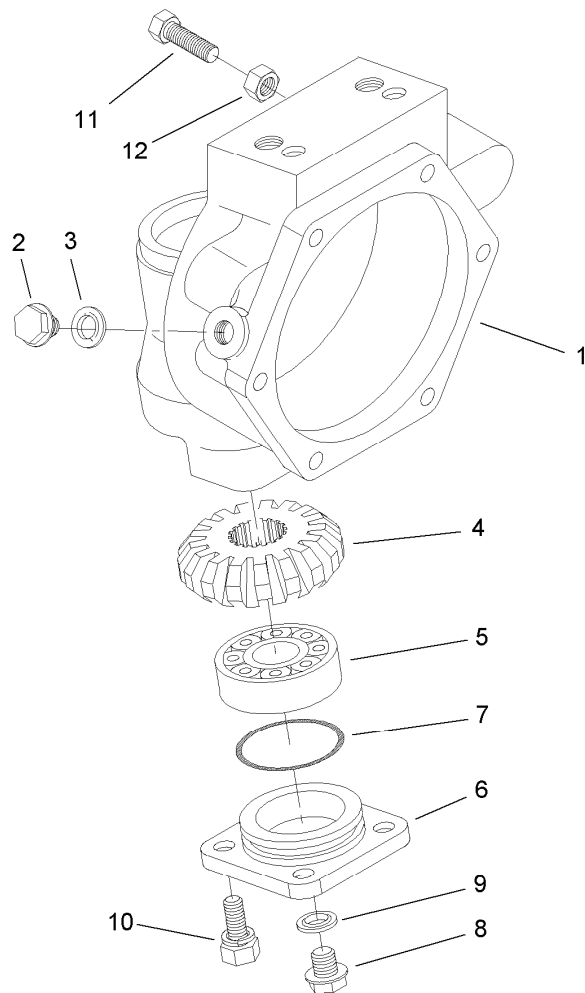
## Bevel Gear Case Assembly Rear Axle Assembly No. 110-4750

Ref.	Part Number	Qty.	Description	Ref.	Part Number	Qty.	Description
1	110-4752	2	Case-Gear, Bevel	12	104-2375	4	Bolt
2	110-4754	2	Seal-Oil	13	99-7599	8	Bolt
3	104-2378	2	Bushing	14	99-7525	4	Stud
4	106-1069	2	O-Ring	15	99-7526	4	Nut
5	104-2373	2	Knuckle	16	99-7527	4	Washer-Spring
6	104-2374	8	Bolt	18	106-1141	1	Steering Tie Rod ASM
7	100-3768	1	LH Steering Arm ASM	18:2	106-1113	2	Tie Rod End ASM - RH
7:2	104-8634	1	Bushing				Thread
7:3	106-1104	2	Fitting-Grease	18:2:1	100-3853	1	Cover-Dust
8	100-3766	1	RH Steering Arm ASM	18:2:2	100-3854	1	Nut-Castle
8:2	104-8634	1	Bushing	18:2:3	110-4755	1	Fitting-Grease
8:3	106-1104	2	Fitting-Grease	18:2:4	3272-11	1	Pin-Cotter
10	95-7547	2	Shim 0.1	18:5	100-3855	2	Bolt
10	95-7548	2	Shim 0.2	18:6	99-7527	2	Washer-Spring
10	95-7549	2	Shim 0.3	18:7	99-7526	2	Nut
11	99-7597	4	Pin-Dowel				



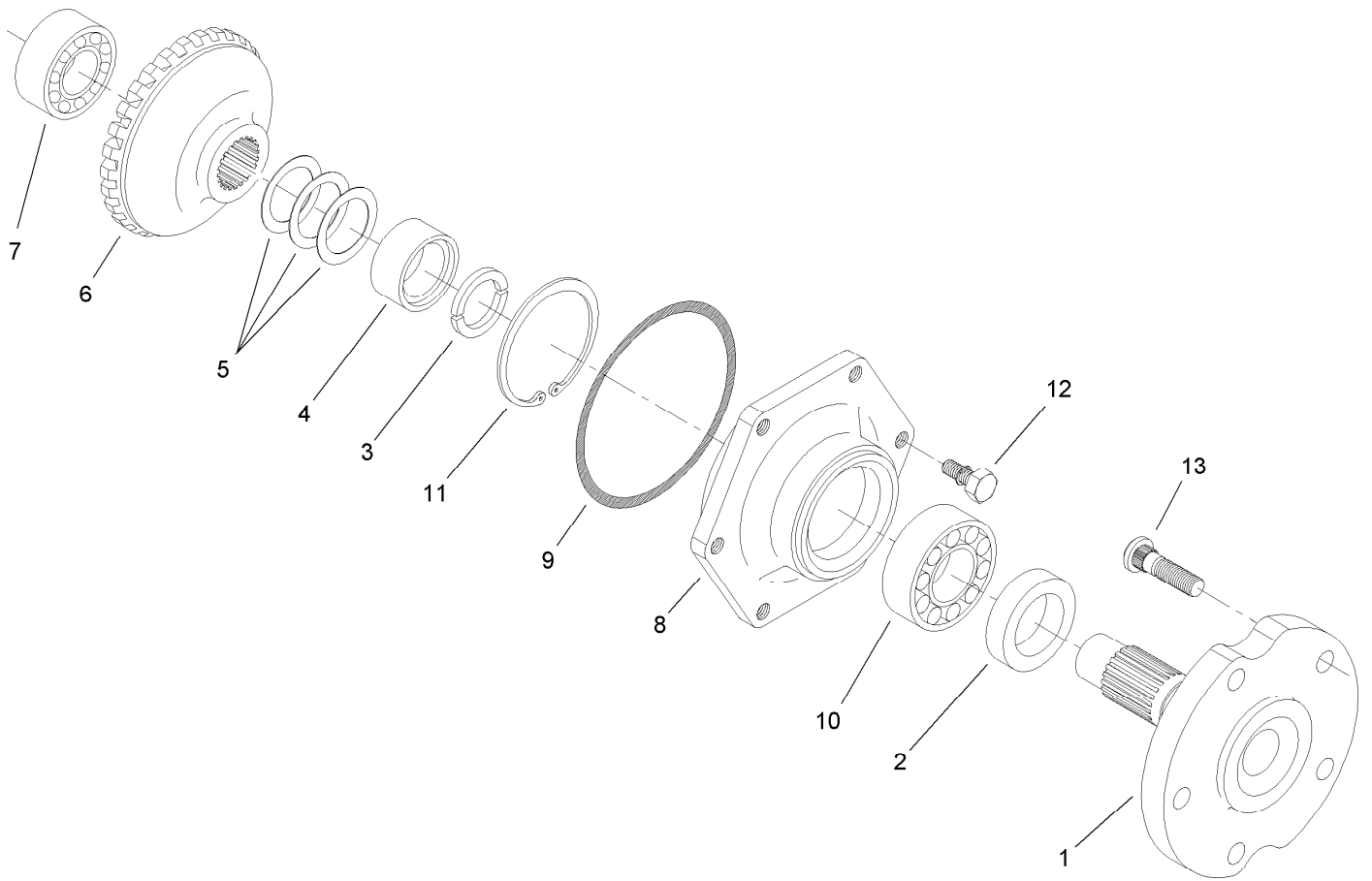
## Bevel Gear Shaft Assembly Rear Axle Assembly No. 110-4750

<i>Ref.</i>	<i>Part Number</i>	<i>Qty.</i>	<i>Description</i>
1	95-7509	1	Shaft-Gear, Differential
2	95-7512	1	Shaft-Gear, Differential
3	95-7517	2	Gear-Bevel, 15 Tooth
4	99-7530	4	Bearing-Ball
5	99-7552	2	Shim 0.1
5	99-7553	2	Shim 0.2
5	99-7554	2	Shim 0.5
6	99-7531	2	Clip
7	110-4753	2	Shaft-Gear, Bevel
8	95-7519	2	Gear-Bevel, 17 Tooth
9	99-7532	2	Bearing-Roller, Taper
10	99-7558	2	Collar



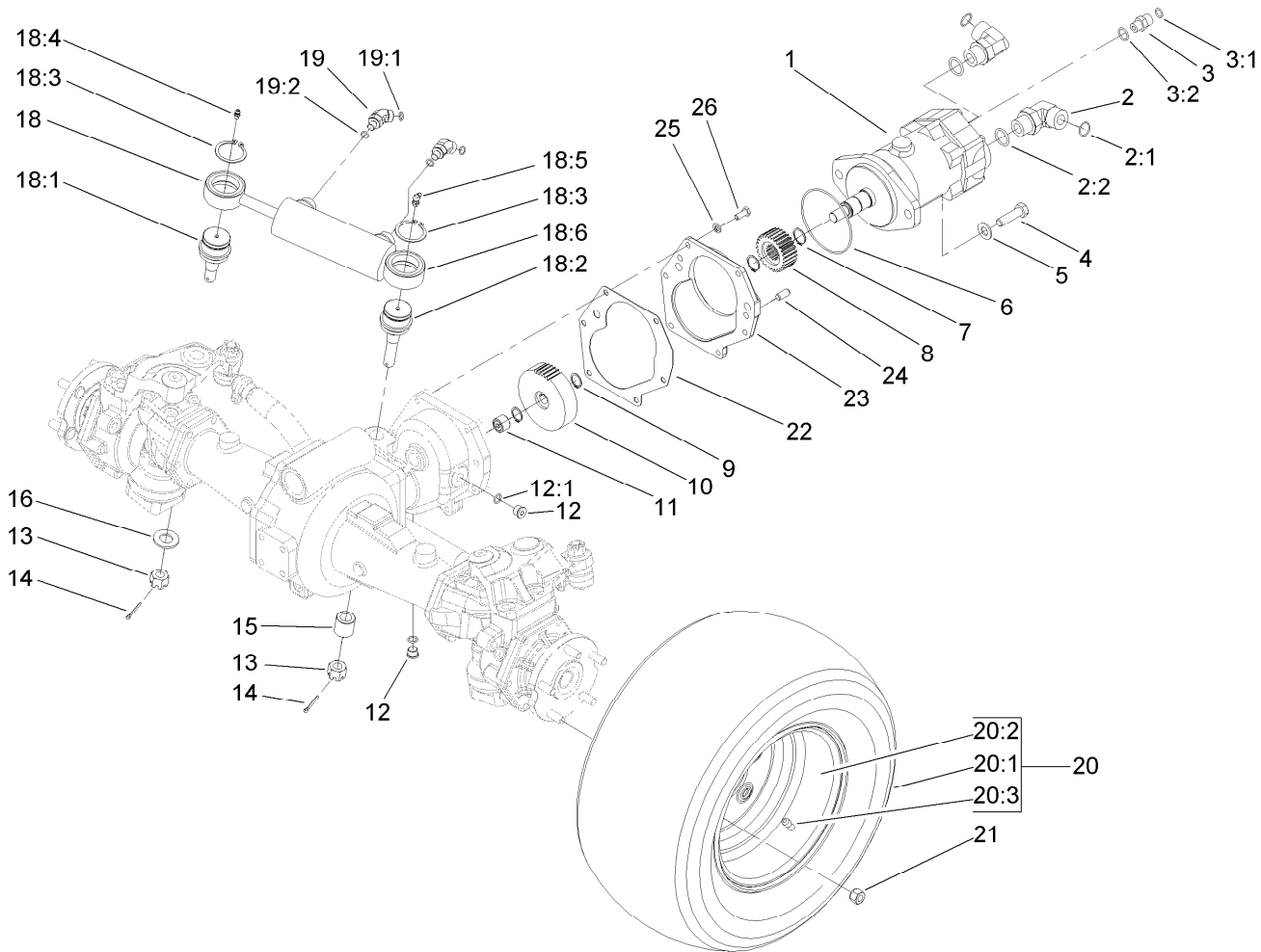
## Axle Case Assembly Rear Axle Assembly No. 110-4750

<i>Ref.</i>	<i>Part Number</i>	<i>Qty.</i>	<i>Description</i>
1	110-4751	2	Case-Axle
2	99-7535	2	Plug
3	99-7536	2	Washer-Seal
4	95-7527	2	Gear-Bevel, 17 Tooth
5	99-7532	2	Bearing-Roller, Taper
6	100-2560	2	Cover
7	106-1070	2	O-Ring
8	99-7589	2	Plug
9	99-7590	2	Washer-Seal
10	100-2562	8	Bolt
11	106-1102	2	Bolt-Stop
12	106-1103	2	Nut



## Axle Assembly Rear Axle Assembly No. 110-4750

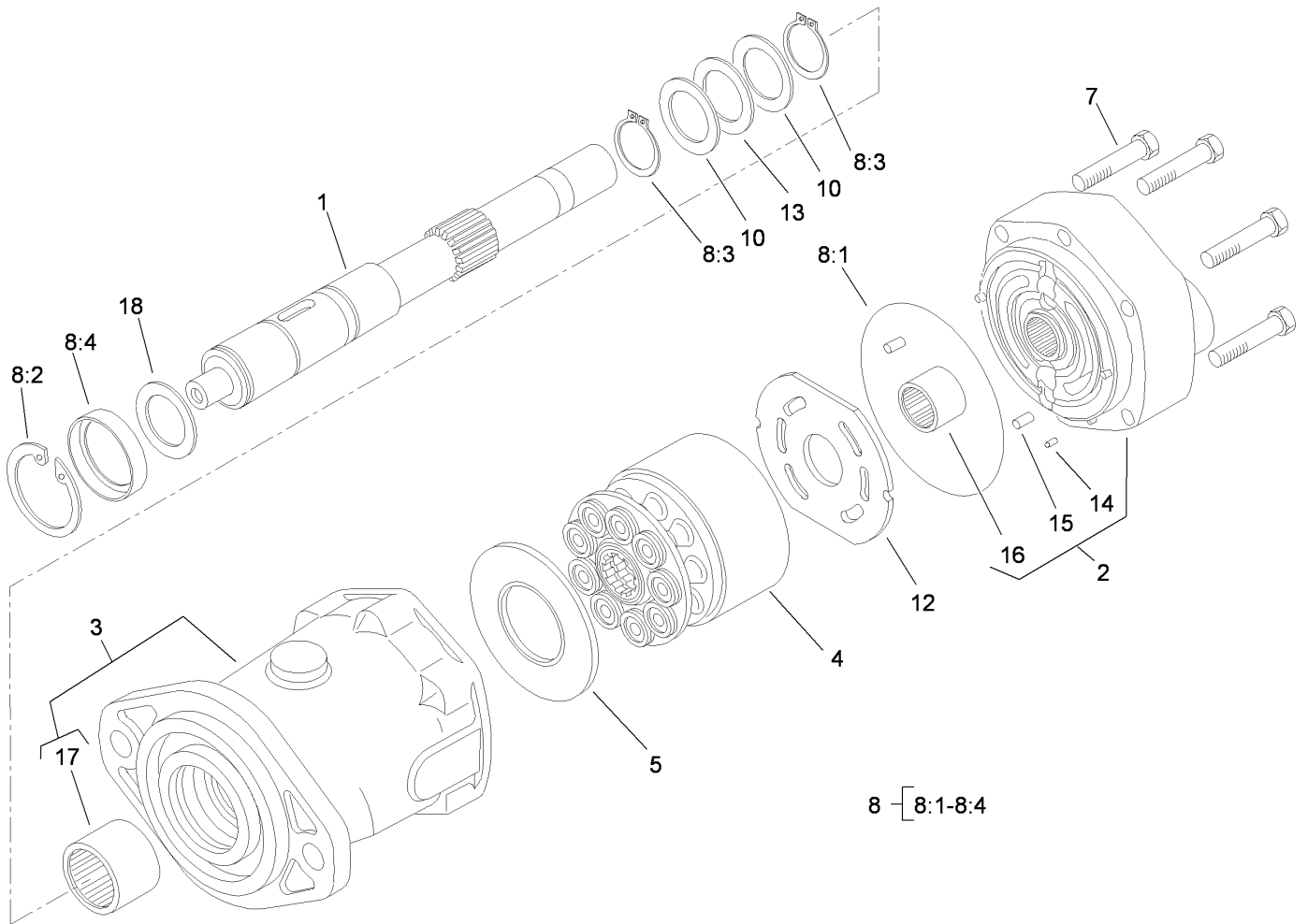
<i>Ref.</i>	<i>Part Number</i>	<i>Qty.</i>	<i>Description</i>
1	95-7522	2	Axle
2	99-7564	2	Seal-Oil
3	95-7544	4	Clip
4	95-7523	2	Spacer
5	99-7555	2	Shim 0.3
5	99-7556	2	Shim 0.2
5	99-7557	2	Shim 0.5
6	95-7524	2	Gear-Bevel, 29 Tooth
7	99-7534	2	Bearing-Ball
8	95-7521	2	Cover-Axle
9	106-1071	2	O-Ring
10	99-7561	2	Bearing-Ball
11	99-7539	2	Clip
12	99-7596	12	Bolt
13	99-7563	10	Stud



## 4 Wheel Drive Rear Axle and Tire Assembly

Ref.	Part Number	Qty.	Description	Ref.	Part Number	Qty.	Description
1	104-0764	1	Piston Motor ASM	18	105-0775	1	Steering Cylinder ASM
2	340-142	2	Fitting-Elbow-90	18:1	106-6774	1	Joint-Ball
2:1	237-58	1	O-Ring	18:2	100-3795	1	Joint-Ball
2:2	237-81	1	O-Ring	18:3	32151-104	2	Ring-Retaining, External
3	340-2	1	Fitting-Straight	18:4	302-5	1	Fitting-Grease
3:1	237-22	1	O-Ring	18:5	302-60	1	Fitting-Grease
3:2	237-42	1	O-Ring	18:6		1	Cylinder-Steering ●
4	325-7	2	Screw-HH	19	340-54	2	Elbow-45 DEG
5	3256-26	2	Washer-Flat	19:1	237-22	1	O-Ring
6	237-166	1	O-Ring	19:2	237-78	1	O-Ring
7	32120-76	2	Ring-Snap, EXT	20		2	Wheel And Tire ASM ●
8	104-0755	1	Pinion-27 Tooth	20:1	94-5236	1	Tire
9	32120-15	2	Ring-Snap, EXT	20:2	100-2582	1	Rim
10	100-3053	1	Gear-45 Tooth	20:3	232-27	1	Stem-Valve
11	74-5700	1	Bearing-Needle, Roller	21	93-5268	10	Nut-Lug
12	353-989	2	Plug-Hex, Hollow	22	106-1140	1	Gasket
12:1	237-42	1	O-Ring	23	95-7541	1	Plate-Cover
13	32136-14	2	Nut-Hst	24	104-2353	2	Pin-Dowel
14	3272-12	2	Pin-Cotter	25	3253-4	6	Washer-Lock
15	100-3796	1	Spacer-Joint, Ball	26	33114-020	6	Screw-HH
16	92-5836	1	Washer				

● Not serviced separately

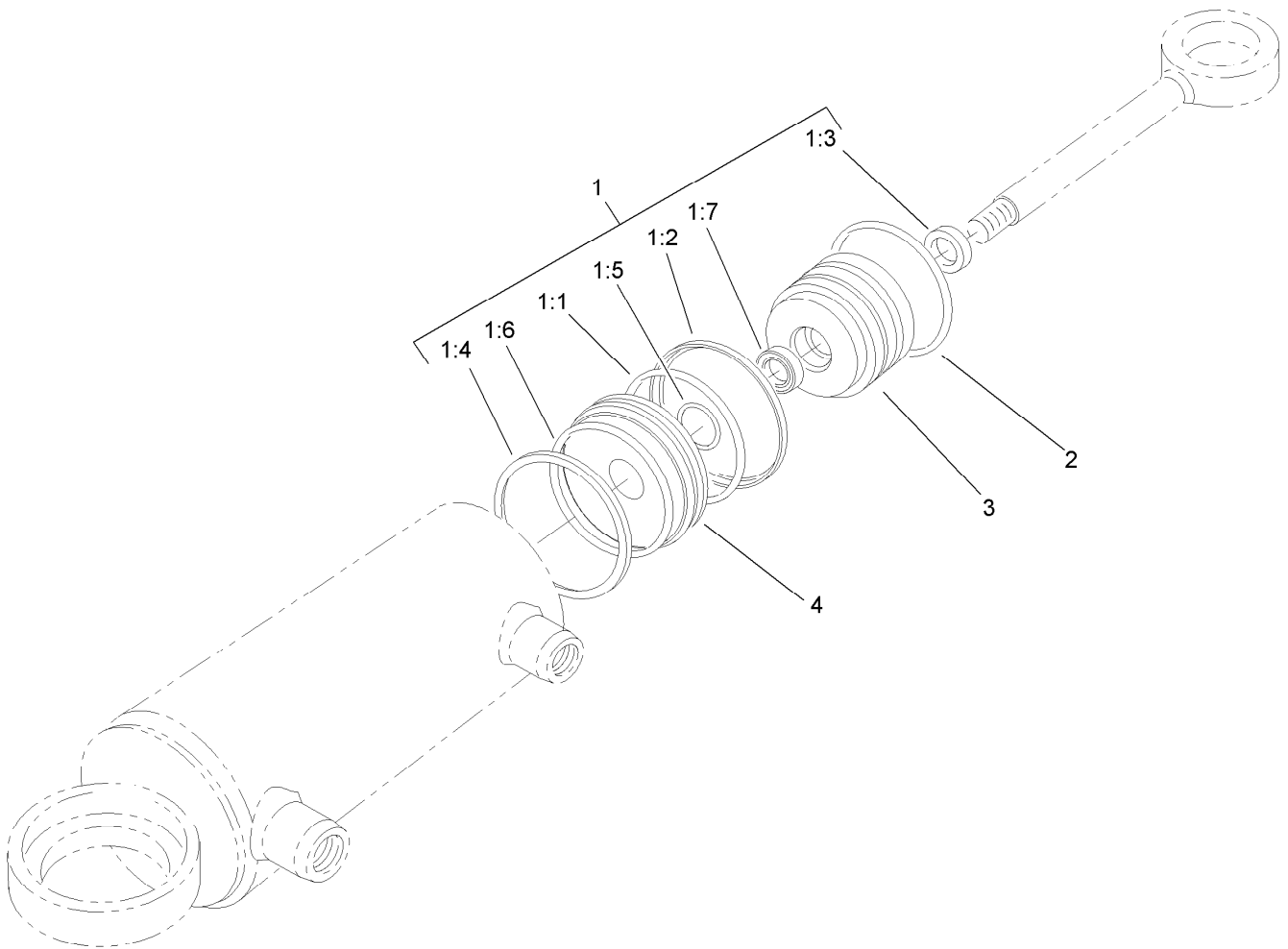


8 [ 8:1-8:4

## Piston Motor Assembly No. 104-0764

Ref.	Part Number	Qty.	Description
1	105-2853	1	Shaft-Drive
2	105-2854	1	Backplate ASM
3	105-2855	1	Housing ASM
4	76-6910	1	Rotating Kit
5	76-6970	1	Insert-Plate, Cam
7	94-3002	6	Screw-Cap
8	106-6876	1	Seal Kit
8:1		1	Ring-Retaining ●
8:2	76-7010	1	Ring-Retaining
8:3	76-7000	2	Ring-Retaining
8:4		1	Seal-Shaft ●
10	76-6950	2	Race-Thrust
12	94-3003	1	Plate-Valve
13	76-6960	1	Bearing-Thrust
14		3	Pin-Dowel ●
15		1	Pin-Dowel ●
16		1	Bearing-Needle ●
17		1	Bearing-Needle ●
18	60-6240	1	Washer

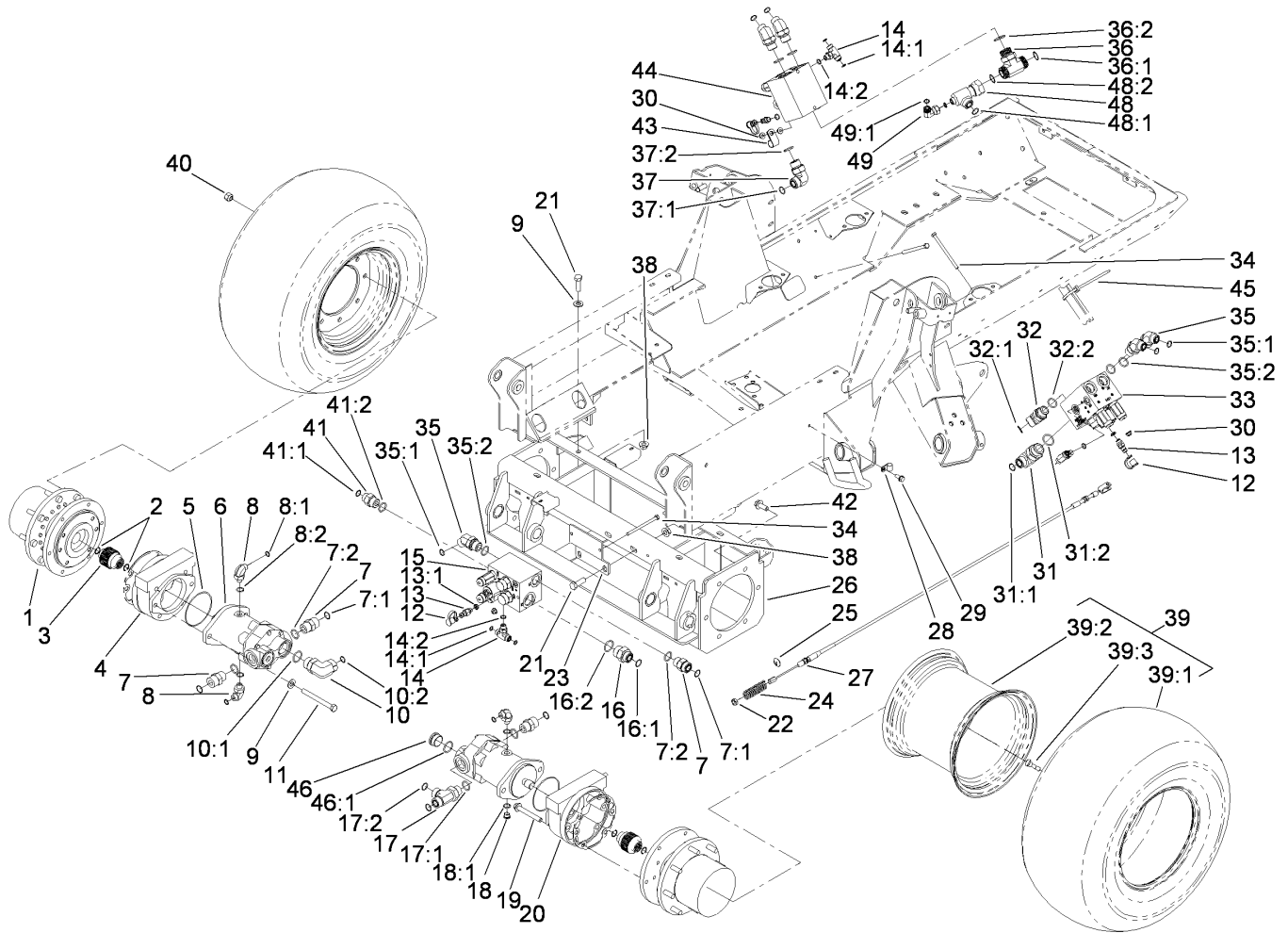
● Not serviced separately



## Steering Cylinder Assembly No. 105-0775

<i>Ref.</i>	<i>Part Number</i>	<i>Qty.</i>	<i>Description</i>
1	107-0245	1	Seal Kit
1:1		1	Ring-Retaining ●
1:2		1	Back-Up ●
1:3		1	Wiper ●
1:4		1	Seal ●
1:5		1	Ring-Retaining ●
1:6		1	Ring-Retaining ●
1:7		1	Seal ●
2		1	Ring-Retaining ●
3		1	Head ●
4		1	Piston ●

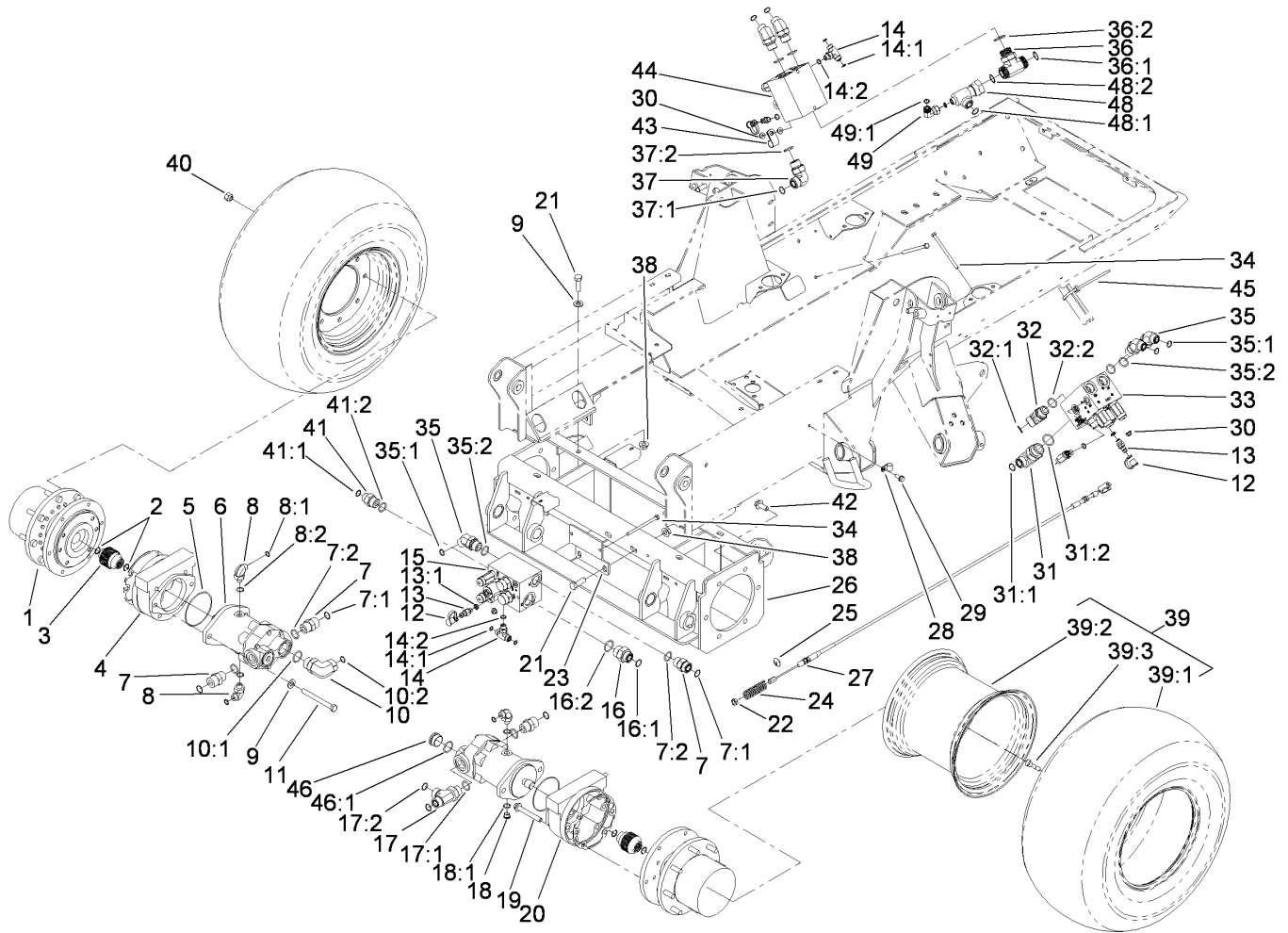
● Not serviced separately



## Planetary, Brake and Tire Assembly

Ref.	Part Number	Qty.	Description	Ref.	Part Number	Qty.	Description
1	105-4588-03	2	Planetary ASM	16:1	237-58	1	O-Ring
2	93-7972	4	Ring-Retaining, Internal	16:2	237-146	1	O-Ring
3	100-3046	2	Shaft-Brake, Splined	17	340-148	1	Fitting-Tee
4	100-3069-03	1	Brake ASM	17:1	237-81	1	O-Ring
5	237-166	2	O-Ring	17:2	237-58	2	O-Ring
6	100-3052	2	Piston Motor ASM	18	353-989	1	Plug-Hex, Hollow
7	340-9	4	Fitting-STR	18:1	237-42	1	O-Ring
7:1	237-58	1	O-Ring	19	33106-090	8	Screw-HHF
7:2	237-81	1	O-Ring	20	100-3070-03	1	Brake ASM
8	340-99	3	Fitting-HYD, 90 DEG	21	325-6	8	Screw-HH
8:1	237-30	1	O-Ring	22	3218-4	2	Nut-Jam
8:2	237-42	1	O-Ring	23	104-0746-03	1	Bracket-Manifold
9	3256-26	10	Washer-Flat	24	94-3088	2	Spring-Compression
10	340-129	1	Fitting-Elbow, 90 DEG	25	94-3050	2	Plate-Spring
10:1	237-146	1	O-Ring	26	114-9775-03	1	Frame-Front
10:2	340-65	1	O-Ring	27	99-5501	2	Brake Cable ASM
11	33116-120	4	Screw-HH	28	2412-93	2	Clamp-R
12	354-79	3	Cap-Dust	29	32144-11	2	Screw-HWHTF
13	354-77	3	Fitting-Quick	30	104-8300	7	Nut-HF, NI
13:1	237-78	1	O-Ring	31	340-15	1	Fitting-Elbow 90
14	340-94	3	Adapter	31:1	237-58	1	O-Ring
14:1	237-22	2	O-Ring	31:2	237-146	1	O-Ring
14:2	237-42	1	O-Ring	32	100-5530	1	Fitting-45 DEG
15	115-8467	1	PTO Manifold ASM	32:1	237-58	1	O-Ring
16	340-91	1	Fitting-STR	32:2	237-81	1	O-Ring

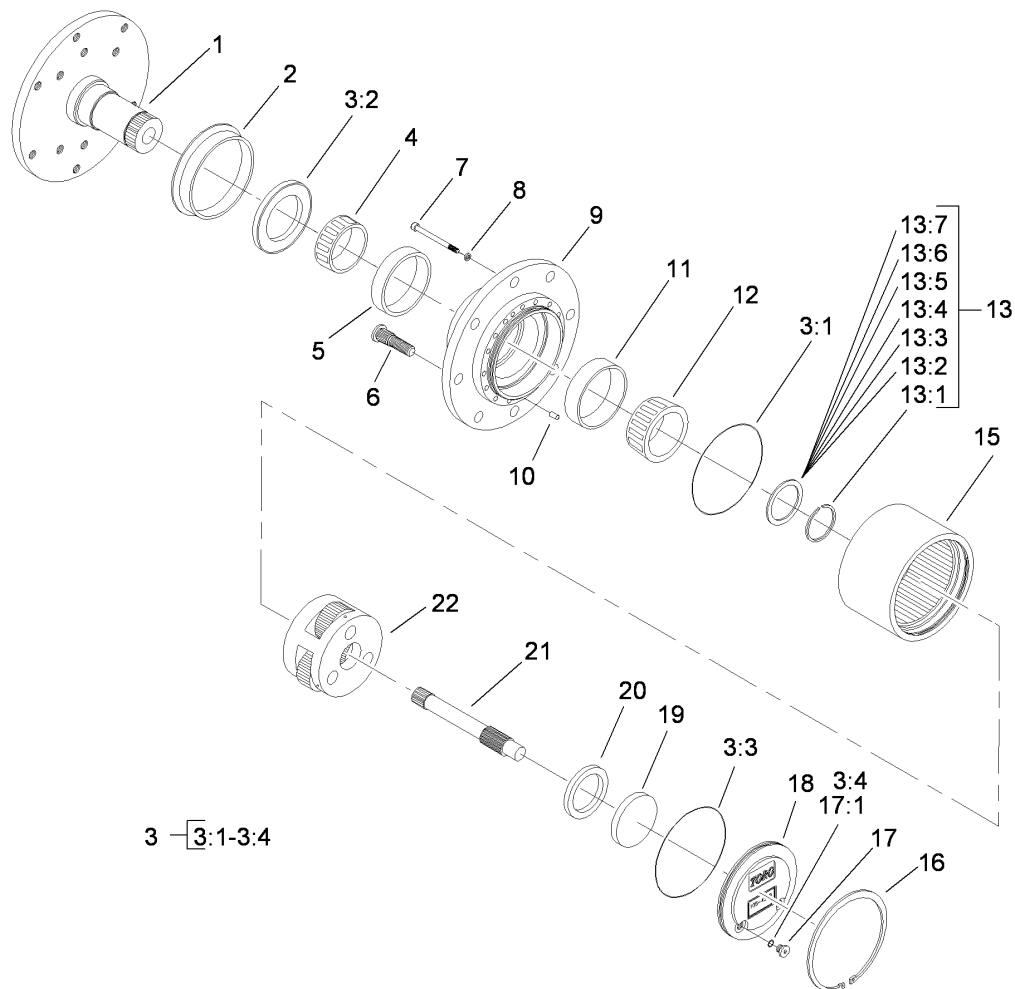
● Not serviced separately



## Planetary, Brake and Tire Assembly (continued)

Ref.	Part Number	Qty.	Description	Ref.	Part Number	Qty.	Description
33	115-8469	1	PTO Manifold ASM	40	242-50	16	Nut-Lug
34	322-38	6	Screw-HH	41	340-8	1	Fitting-Straight
35	340-156	5	Fitting-Elbow 45	41:1	237-65	1	O-Ring
35:1	237-65	1	O-Ring	41:2	237-81	1	O-Ring
35:2	237-81	1	O-Ring	42	33106-030	12	Screw-HHF
36	104-7501	1	Fitting-HYD	43	2412-81	1	Clamp-R
36:1	340-65	2	O-Ring	44	115-8468	1	PTO Manifold ASM
36:2	237-146	1	O-Ring	45	3290-378	3	Tie-Cable
37	340-142	1	Fitting-Elbow-90	46	106-2030	1	Plug-Hex, Hollow
37:1	237-58	1	O-Ring	46:1	237-146	1	O-Ring
37:2	237-81	1	O-Ring	48	115-8472	1	Fitting-HYD, Tee
38	32128-23	8	Nut-HF	48:1	237-30	1	O-Ring
39		2	Tire And Wheel ASM ●	48:2	237-58	1	O-Ring
39:1	99-5434	1	Tire	49	94-6031	1	Fitting-HYD
39:2	99-5432	1	Rim	49:1	237-30	1	O-Ring
39:3	232-27	1	Stem-Valve				

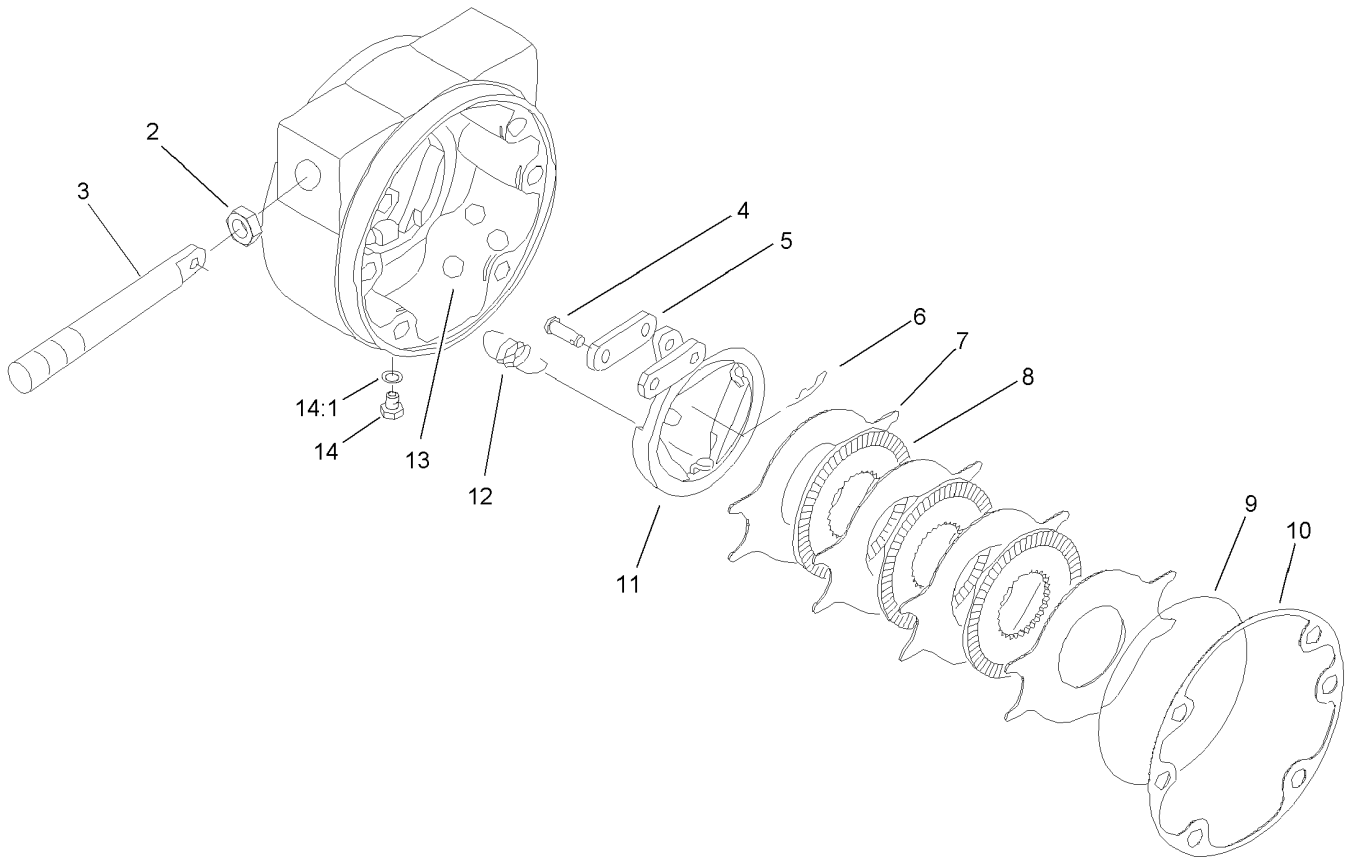
● Not serviced separately



## Planetary Assembly No. 105-4588-03

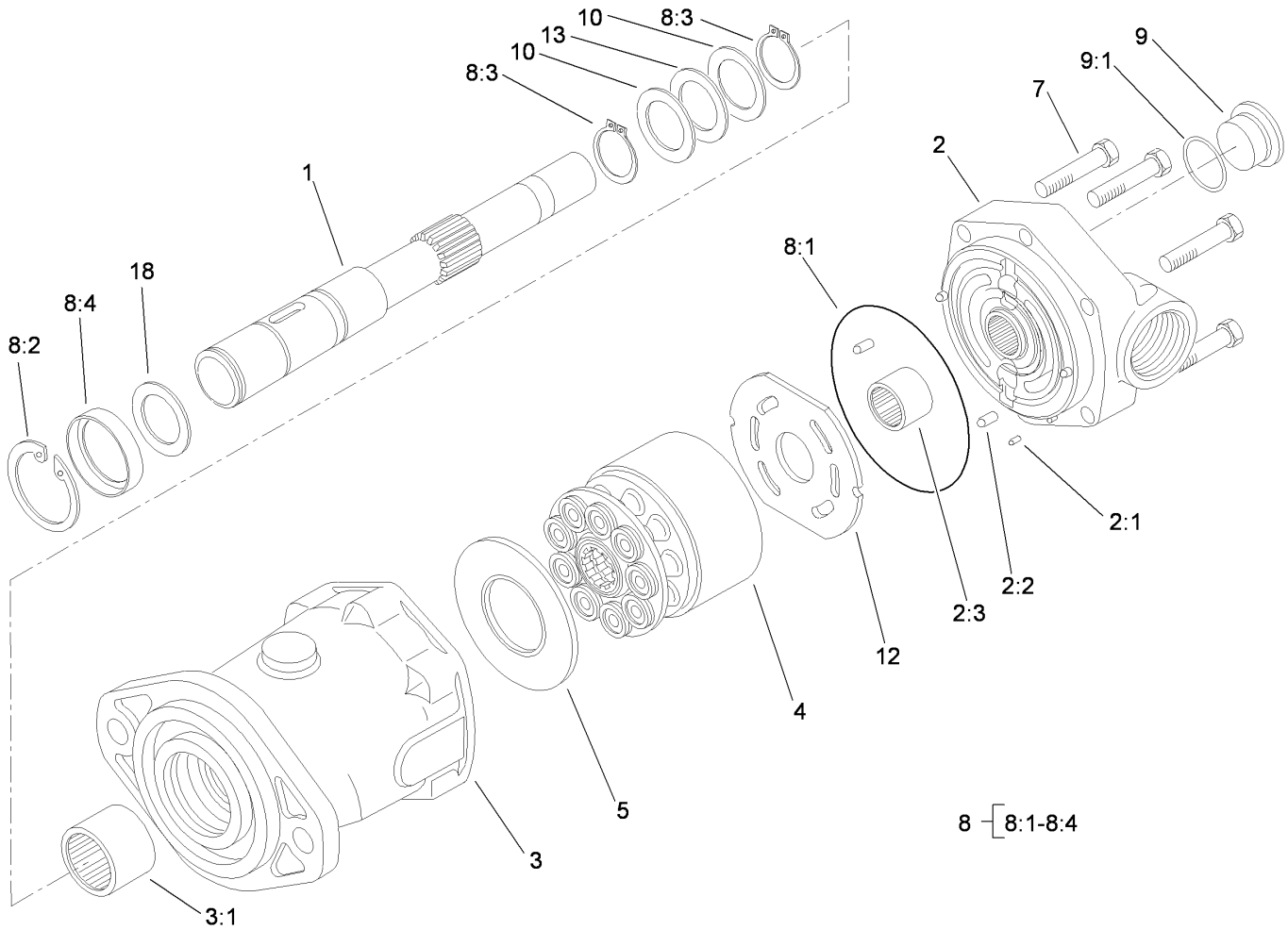
Ref.	Part Number	Qty.	Description	Ref.	Part Number	Qty.	Description
1		1	Spindle ●	13:1		1	Ring-Snap ●
2	105-8122	1	Seal-Boot	13:2		1	Shim-Bearing, 2.9Mm ●
3	105-8137	1	Seal Kit	13:3		1	Shim-Bearing, 2.8Mm ●
3:1		1	O Ring-Flange Cap ●	13:4		1	Shim-Bearing, 2.7Mm ●
3:2		1	Seal-Oil ●	13:5		1	Shim-Bearing, 2.6Mm ●
3:3		2	O Ring-End Cap ●	13:6		1	Shim-Bearing, 2.5Mm ●
3:4	237-78	2	O-Ring	13:7		1	Shim-Bearing, 2.4Mm ●
4	105-8120	1	Bearing-Cone	15	105-8113	1	Gear-Ring
5	105-8119	1	Bearing-Cup	16	105-8132	1	Ring-Retaining
6	105-8124	8	Stud-Wheel	17	353-990	2	Plug ASM
7	105-8125	16	Bolt-Head, Socket	17:1	237-78	1	O-Ring
8	3253-18	16	Washer-Lock	18	105-8138	1	Cap-End
9		1	Housing ●	19	105-8135	1	Plug-Thrust
10	105-8121	2	Pin-Dowel	20	106-6864	1	Washer-Thrust
11	105-8117	1	Bearing-Cup	21	105-8116	1	Shaft-Drive
12	105-8118	1	Bearing-Cone	22	106-6865	1	Secondary Carrier ASM
13	105-8136	1	Shim Kit				

● Not serviced separately



## Brake Assembly No. 100-3069-03

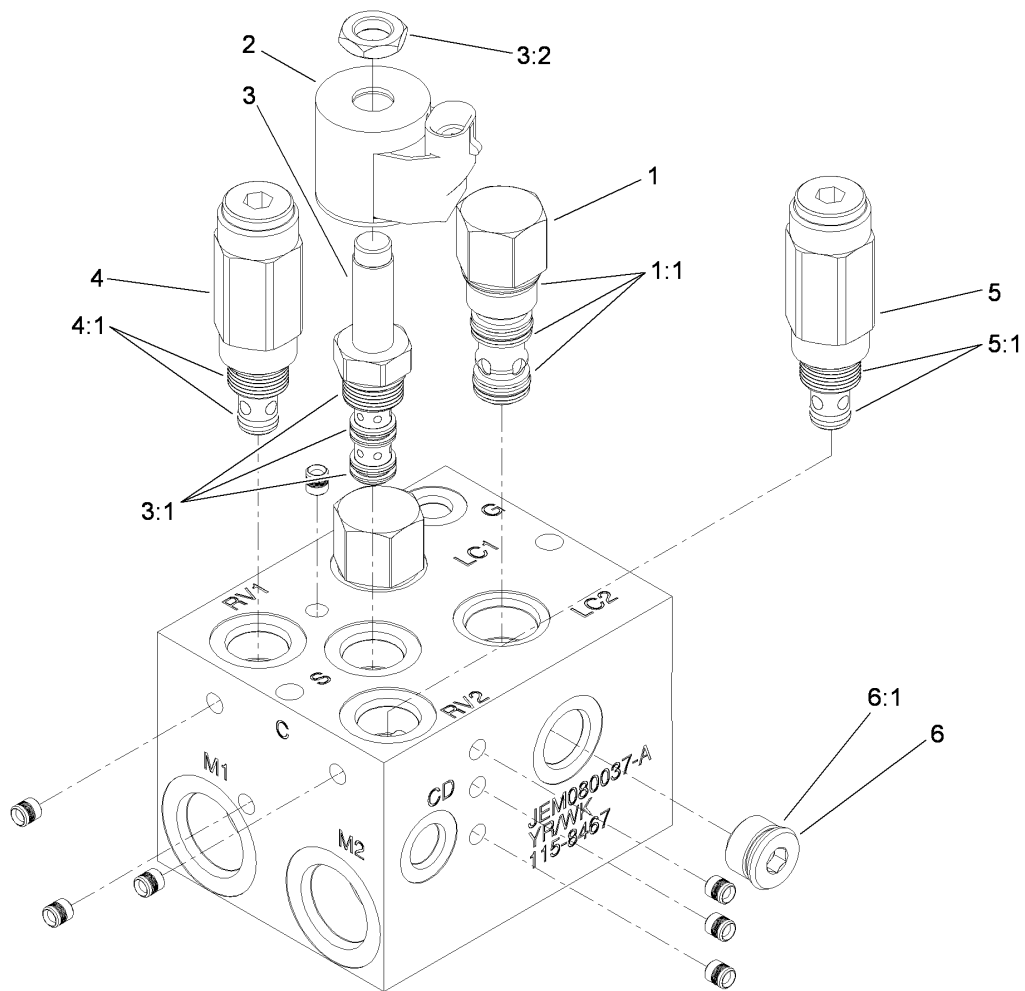
<i>Ref.</i>	<i>Part Number</i>	<i>Qty.</i>	<i>Description</i>
2	93-7977	1	Seal
3	93-7978	1	Rod-Pull
4	93-7983	2	Pin-Clevis
5	93-7980	2	Link
6	93-7979	2	Pin-Hitch
7	93-7986	4	Disc-Stationary
8	104-4278	3	Disc-Rotating
9	93-7976	1	Ring-Retaining
10	93-7984	1	Gasket
11	104-4280	1	Actuator-Rotating
12	93-7987	3	Spring-Extension
13	93-7985	3	Ball
14	353-990	2	Plug ASM
14:1	237-78	1	O-Ring



## Piston Motor Assembly No. 100-3052

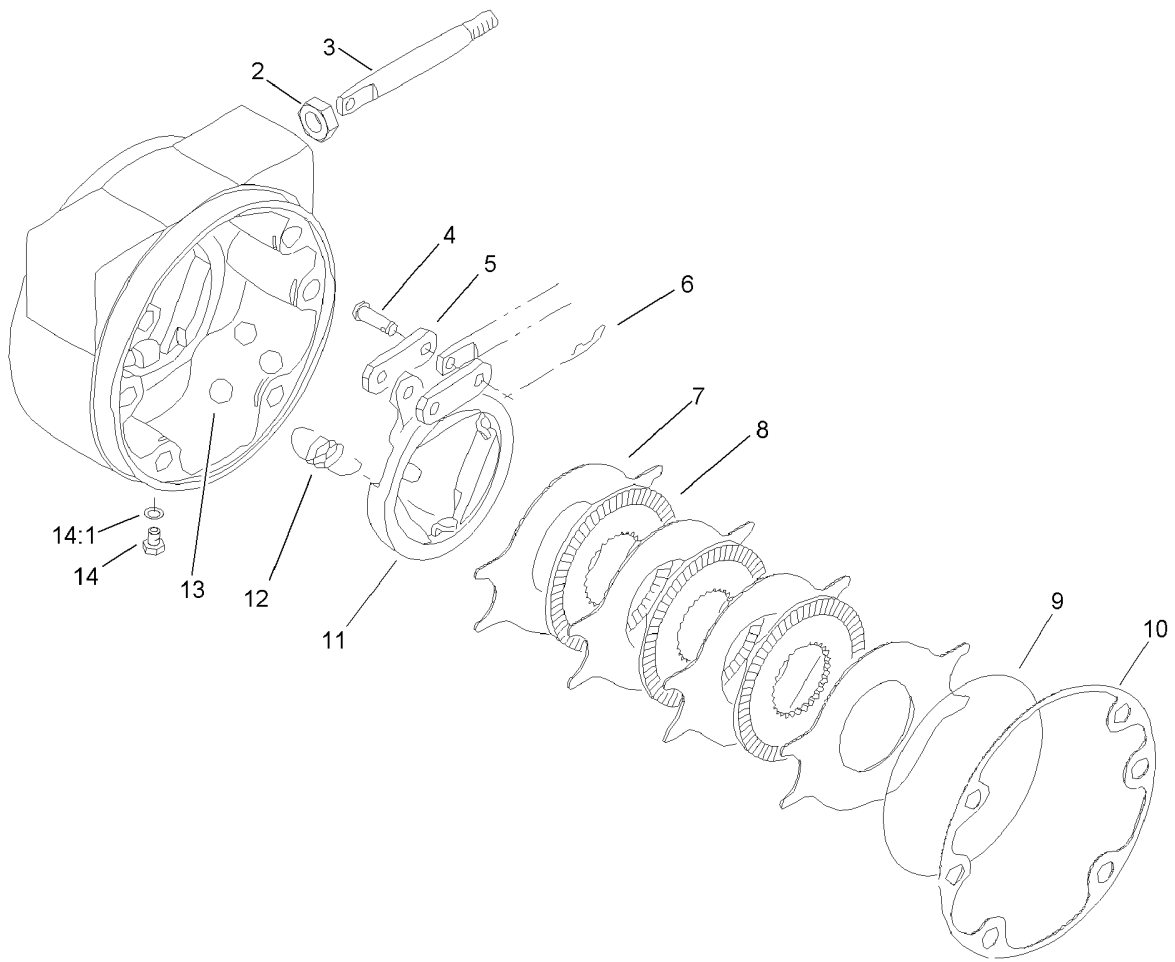
Ref.	Part Number	Qty.	Description
1	94-3004	1	Shaft-Drive, Splined
2	105-2851	1	Backplate ASM
2:1		3	Pin-Dowel ●
2:2		1	Pin-Dowel ●
2:3		1	Bearing-Needle ●
3	105-2852	1	Housing ASM
3:1		1	Bearing-Needle ●
4	76-6910	1	Rotating Kit
5	76-6970	1	Insert-Plate, Cam
7	94-3002	6	Screw-Cap
8	106-6876	1	Seal Kit
8:1		1	Ring-Retaining ●
8:2	76-7010	1	Ring-Retaining
8:3	76-7000	2	Ring-Retaining
8:4		1	Seal-Shaft ●
9	106-2030	1	Plug-Hex, Hollow
9:1	237-146	1	O-Ring
10	60-6160	2	Race
12	94-3003	1	Plate-Valve
13	76-6960	1	Bearing-Thrust
18	60-6240	1	Washer

● Not serviced separately



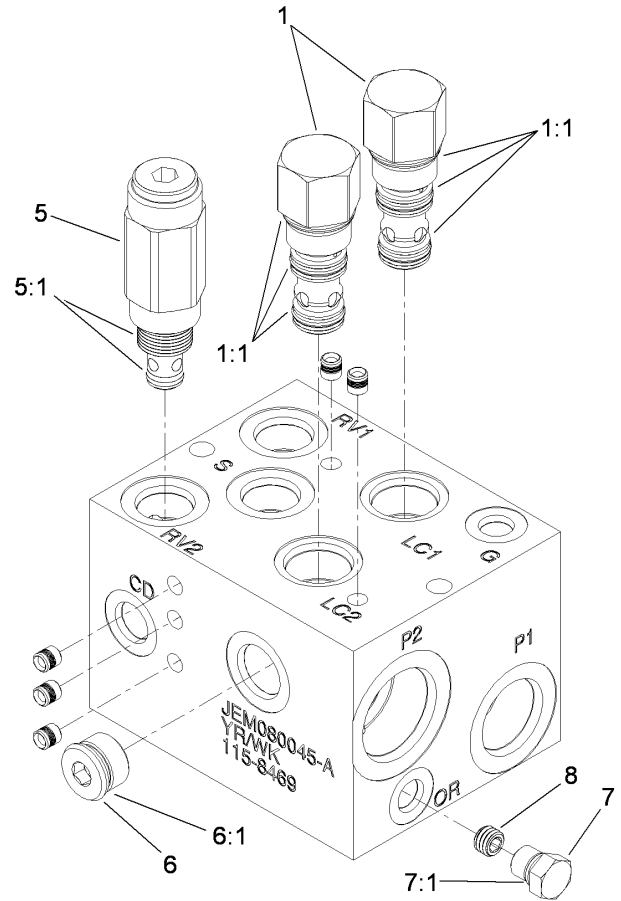
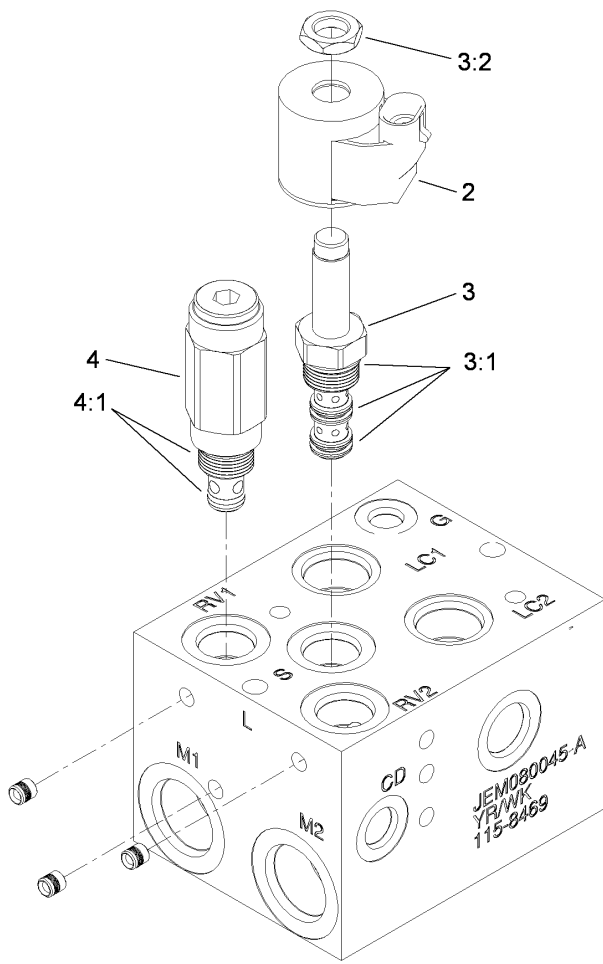
## Hydraulic PTO Manifold Assembly No. 115-8467

<i>Ref.</i>	<i>Part Number</i>	<i>Qty.</i>	<i>Description</i>
1	105-9153	2	Element-Logic, Vented
1:1	105-9154	1	Seal Kit
2	105-9333	1	Coil-12Vdc
3	110-0494	1	Valve-Solenoid
3:1	110-8773	1	Seal Kit
3:2	110-2634	1	Nut-Coil
4	114-5510	1	Valve-Relief, 3000 PSI
4:1	105-9156	1	Seal Kit
5	114-5512	1	Valve-Relief, 600 PSI
5:1	105-9156	1	Seal Kit
6	106-1027	1	Plug-HYD
6:1	237-79	1	O-Ring



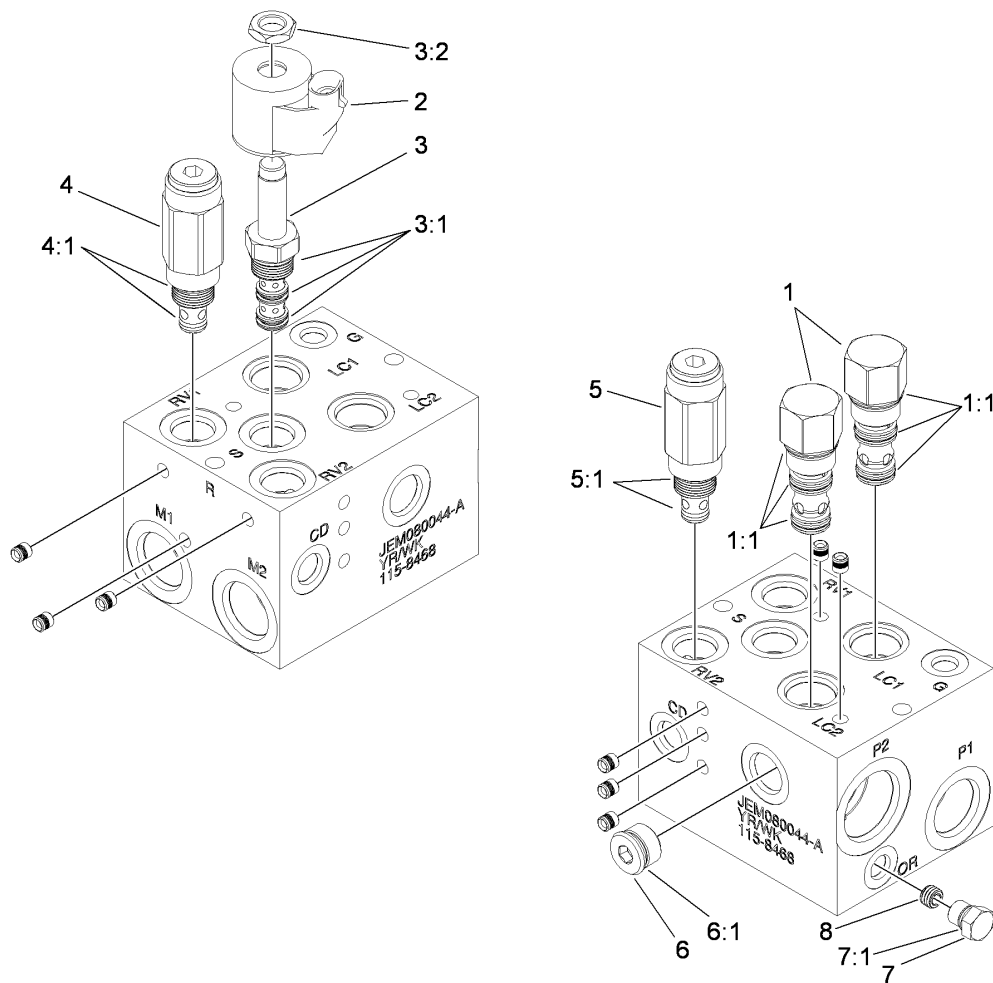
## Brake Assembly No. 100-3070-03

<i>Ref.</i>	<i>Part Number</i>	<i>Qty.</i>	<i>Description</i>
2	93-7977	1	Seal
3	93-7978	1	Rod-Pull
4	93-7983	2	Pin-Clevis
5	93-7980	2	Link
6	93-7979	2	Pin-Hitch
7	93-7986	4	Disc-Stationary
8	104-4278	3	Disc-Rotating
9	93-7976	1	Ring-Retaining
10	93-7984	1	Gasket
11	104-4279	1	Actuator-Rotating
12	93-7987	3	Spring-Extension
13	93-7985	3	Ball
14	353-990	2	Plug ASM
14:1	237-78	1	O-Ring



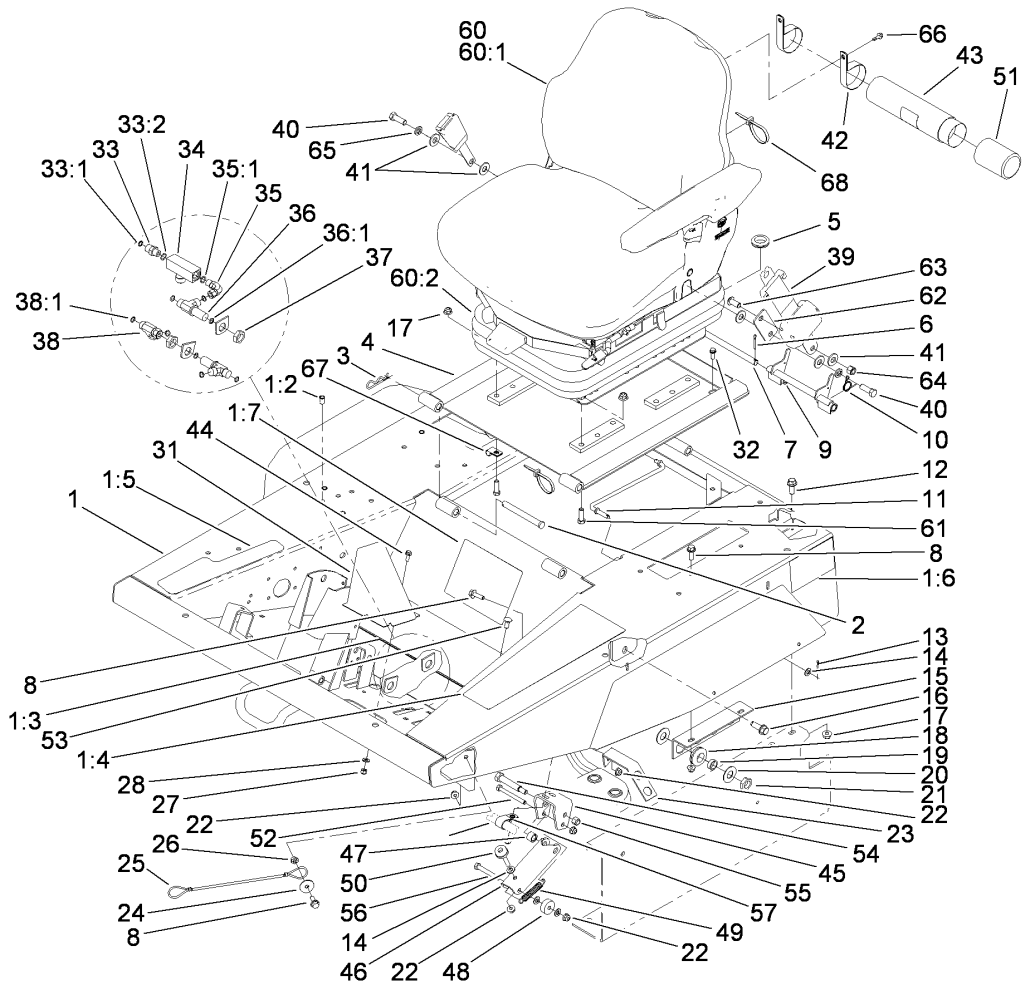
## Hydraulic PTO Manifold Assembly No. 115-8469

Ref.	Part Number	Qty.	Description
1	105-9153	2	Element-Logic, Vented
1:1	105-9154	1	Seal Kit
2	105-9333	1	Coil-12Vdc
3	110-0494	1	Valve-Solenoid
3:1	110-8773	1	Seal Kit
3:2	110-2634	1	Nut-Coil
4	114-5510	1	Valve-Relief, 3000 PSI
4:1	105-9156	1	Seal Kit
5	114-5512	1	Valve-Relief, 600 PSI
5:1	105-9156	1	Seal Kit
6	106-1027	1	Plug-HYD
6:1	237-79	1	O-Ring
7	353-512	1	Plug
7:1	237-78	1	O-Ring
8	112-6538	1	Orifice (.063 Inch)



## Hydraulic PTO Manifold Assembly No. 115-8468

Ref.	Part Number	Qty.	Description
1	105-9153	2	Element-Logic, Vented
1:1	105-9154	1	Seal Kit
2	105-9333	1	Coil-12Vdc
3	110-0494	1	Valve-Solenoid
3:1	110-8773	1	Seal Kit
3:2	110-2634	1	Nut-Coil
4	114-5514	1	Valve-Relief, 2000 PSI
4:1	105-9156	1	Seal Kit
5	114-5512	1	Valve-Relief, 600 PSI
5:1	105-9156	1	Seal Kit
6	106-1027	1	Plug-HYD
6:1	237-79	1	O-Ring
7	353-512	1	Plug
7:1	237-78	1	O-Ring
8	112-6538	1	Orifice (.063 Inch)

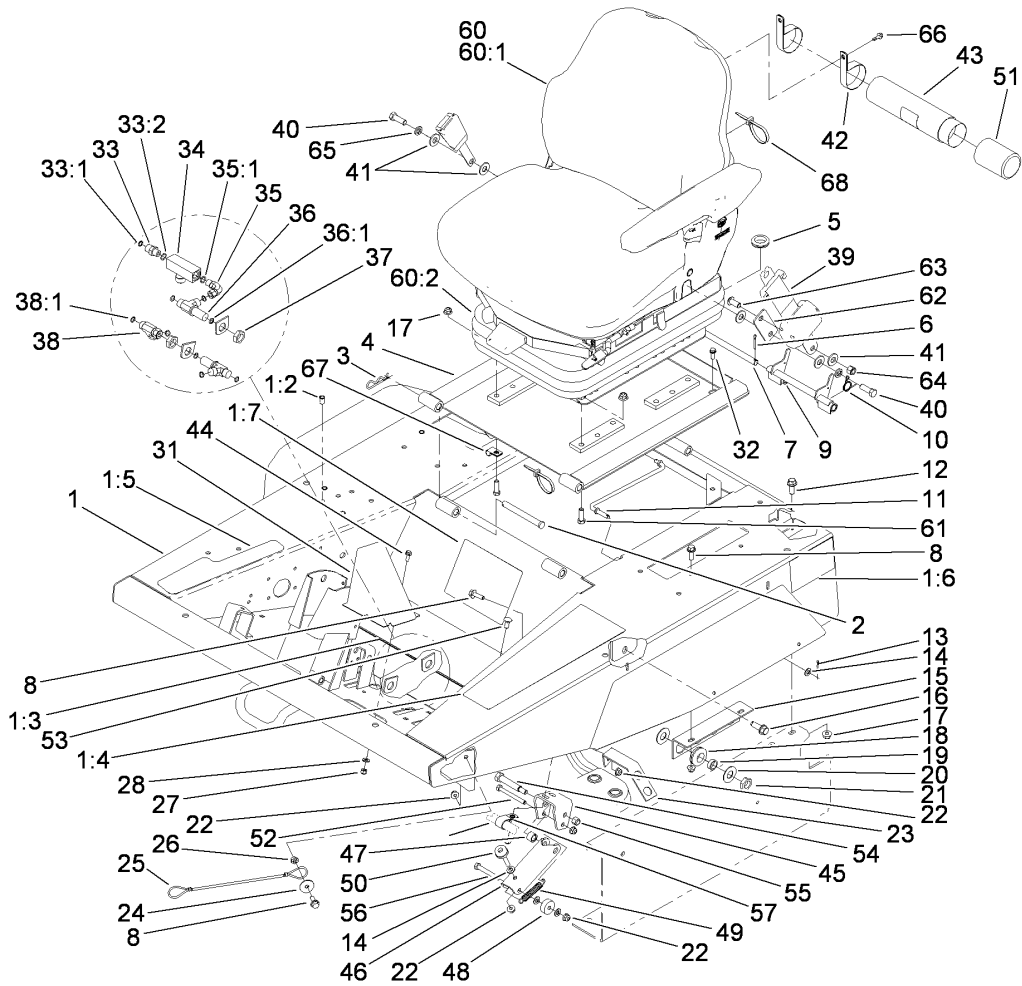


## Platform and Seat Base Assembly

Ref.	Part Number	Qty.	Description	Ref.	Part Number	Qty.	Description
1	100-3033	1	Platform ASM	19	69-8970	4	Spacer
1:2	32148-6	14	Nut-Clinch	20	69-8940	8	Washer
1:3	93-5349	2	Abrasive-Floor	21	340-70	4	Nut-Lock
1:4	93-5507	1	Abrasive-Platform	22	104-8300	9	Nut-HF, NI
1:5	104-3599	1	Decal-Pedal, Traction	23	100-5500-03	1	Support
1:6	94-8099	2	Decal	24	3256-57	1	Washer-Flat
1:7	106-6764	1	Decal-Operating Instruction, Ce	25	93-9595	1	Lanyard
2	283-83	2	Pin-Clevis	26	3218-3	1	Nut-Jam
3	3290-355	2	Pin-Hair	27	3296-42	2	Nut-Lock, NI
4	100-3060-03	1	Seat Plate ASM	28	3256-22	2	Washer-Flat
5	240-5	1	Grommet	31	100-3045-01	1	Cover-Tubes
6	3272-11	2	Pin-Cotter	32	3234-4	1	Screw-HHF
7	93-5366	1	Shaft-Latch	33	340-2	1	Fitting-Straight
8	3234-29	4	Screw-HHF	33:1	237-22	1	O-Ring
9	93-5363	1	Latch ASM	33:2	237-42	1	O-Ring
10	93-5367	1	Spring-Torsion	34	98-9742	1	Valve-Control, Flow
11	93-5338	1	Rod-Prop	35	340-110	1	Fitting-Swivel, 90 DEG
12	3234-42	2	Screw-HHF	35:1	237-42	1	O-Ring
13	3272-5	2	Pin-Cotter	36	340-68	2	Fitting-Tee, Bulkhead
14	3256-23	5	Washer-Plain	36:1	237-22	3	O-Ring
15	100-3149-03	1	Bracket-Bulkhead	37	340-70	2	Nut-Lock
16	32144-67	2	Screw	38	340-115	1	Fitting-Tee, Swivel Nut
17	104-8301	6	Nut-HF, NI	38:1	237-22	2	O-Ring
18	240-4	4	Grommet-Rubber	39	110-0413	1	Seatbelt-Retractable
				40	3212-5	2	Screw-HH

● Serviced under Model Number 30621

■ Serviced under Model Number 30622

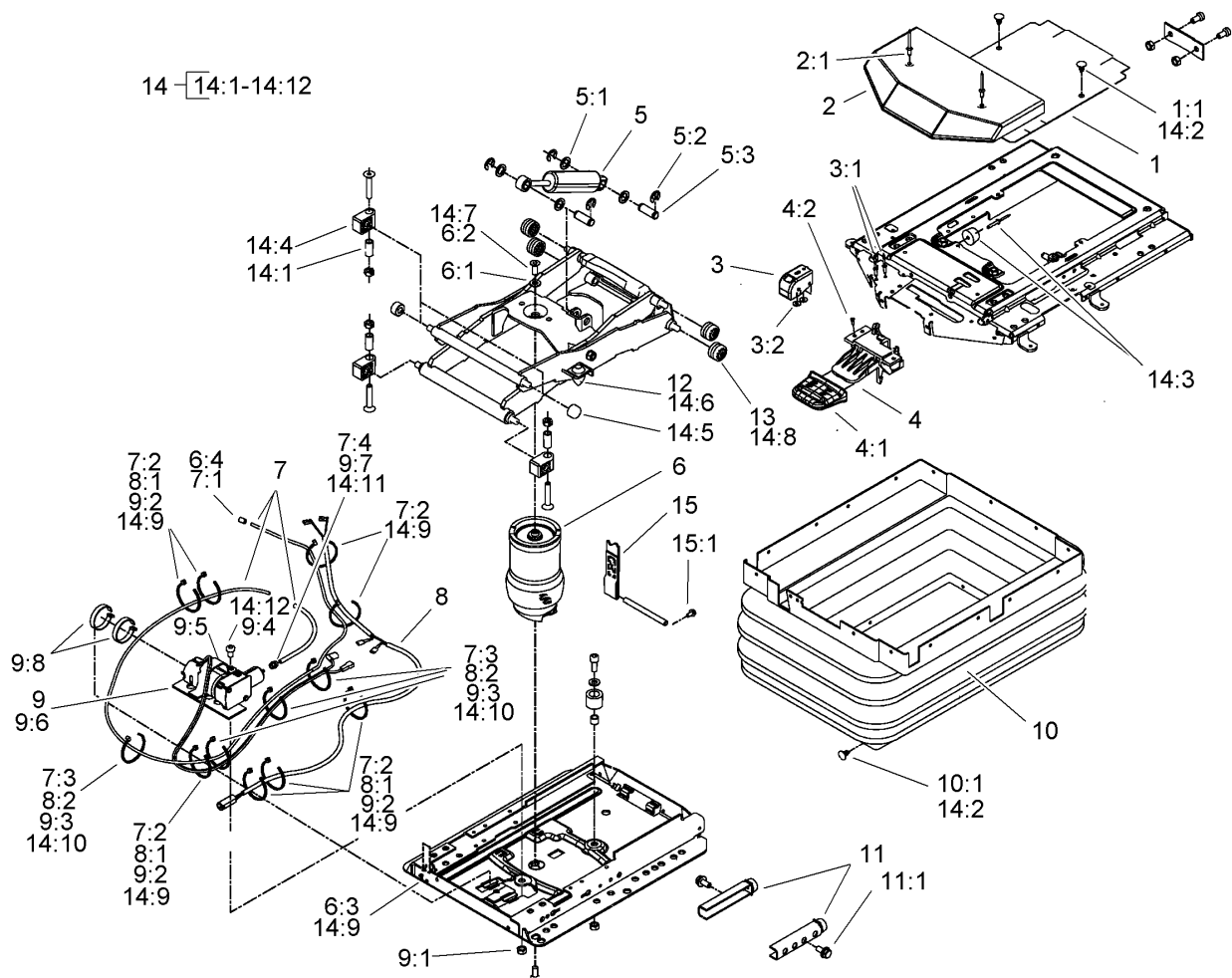


## Platform and Seat Base Assembly (continued)

Ref.	Part Number	Qty.	Description	Ref.	Part Number	Qty.	Description
41	29-8910	5	Washer	55	3296-6	1	Nut-Lock
42	2412-133	2	Clamp-R	56	322-12	1	Screw-HH
43	104-7050	1	Tube-Manual	57	2412-4	1	Clamp-R
44	3234-33	2	Screw-HHF	60	108-1518	1	Seat And Suspension ASM
45	106-2031-01	1	Support-Pivot	60:1		1	Seat Suspension ASM ●
46	106-2034-01	1	Arm-Latch	60:2		1	Seat-Premium ■
47	47-4420	1	Spacer-Sleeve, Adjustment	61	323-7	4	Screw-HH
48	92-2327	1	Spacer-Hose	62	108-1516	1	Mount-Belt, Seat
49	92-6682	1	Spring-Extension	63	3274-105	1	Screw-HSBH
50	32141-36	1	Screw-Adjustment, Level	64	3296-48	1	Nut-Lock, NI
51	104-7048	1	Cap-Housing	65	3253-6	2	Washer-Lock
52	322-14	1	Screw-HH	66	32104-116	2	Screw-HWHTF
53	3230-1	2	Bolt-CARR	67	2412-138	2	R-Clamp
54	71-3340	1	Bolt-Wheel	68	3290-378	2	Tie-Cable

● Serviced under Model Number 30621

■ Serviced under Model Number 30622

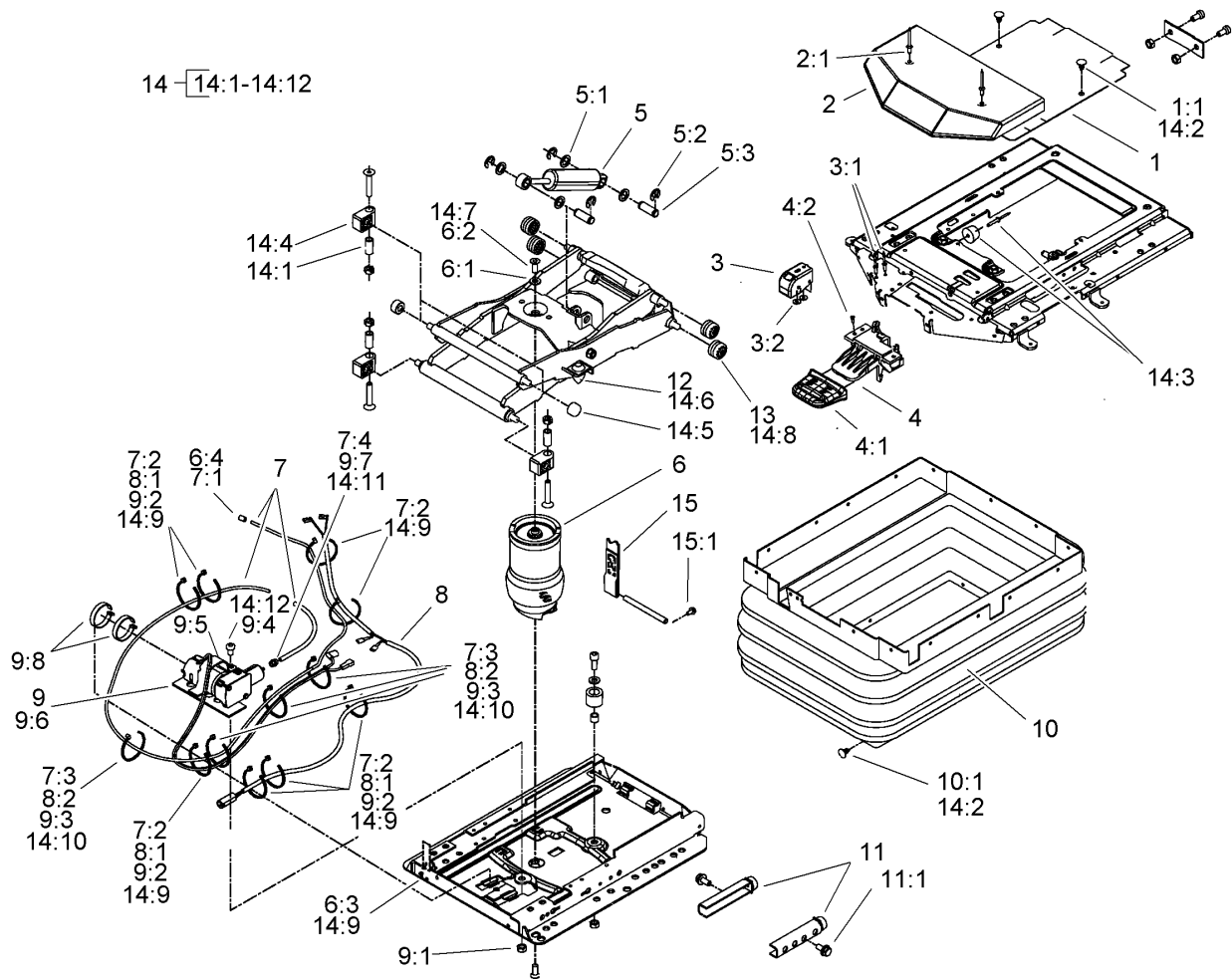


## Air Ride Seat Suspension Assembly Model No. 30621

Ref.	Part Number	Qty.	Description	Ref.	Part Number	Qty.	Description
1	108-8026	1	Cover ASM	8:1		8	Tie-Wire ■
1:1	39-5710	2	Plug-Plastic	8:2		4	Tie-Wire ■
2	108-8027	1	Cover	9	108-8034	1	Compressor Kit
2:1		2	Rivet ■	9:1		1	Nut ■
3	108-8028	1	Level Indicator Kit	9:2		5	Tie-Wire ■
3:1		2	Rivet ■	9:3		4	Tie-Wire ■
3:2		2	Washer ■	9:4		1	Screw ■
4	108-8029	1	Valve-Control, Air	9:5		1	Compressor ■
4:1		1	Handle ■	9:6		1	Plate-Mounting ■
4:2		3	Screw ■	9:7		1	Nipple-Hose ■
5	108-8030	1	Shock Absorber Kit	9:8		2	Clamp ■
5:1		4	Washer ■	10	108-8035	1	Bellows ASM
5:2		4	C-Clip ■	10:1	39-5710	23	Plug-Plastic
5:3		2	Pin ■	11	108-8036	1	Stop Kit
6	108-8031	1	Air Spring Kit	11:1		2	Screw ■
6:1		1	Washer ■	12	107-1213	2	Bumper Set
6:2		2	Screw ■	13	108-8037	4	Roller
6:3		1	Tie-Wire ■	14	108-8038	1	Wear Parts Kit ●
6:4		1	Nipple-Hose ■	14:1		4	Spacer ■
7	108-8032	1	Air Tube ASM	14:2	39-5710	2	Plug-Plastic
7:1		1	Nipple-Hose ■	14:3		1	Bumper ■
7:2		7	Tie-Wire ■	14:4		4	Support-Housing ■
7:3		4	Tie-Wire ■	14:5		2	Roller ■
7:4		1	Nipple-Hose ■	14:6	107-1213	2	Bumper Set
8	108-8033	1	Connecting Cable ASM	14:7		2	Screw ■

● Not illustrated

■ Not serviced separately



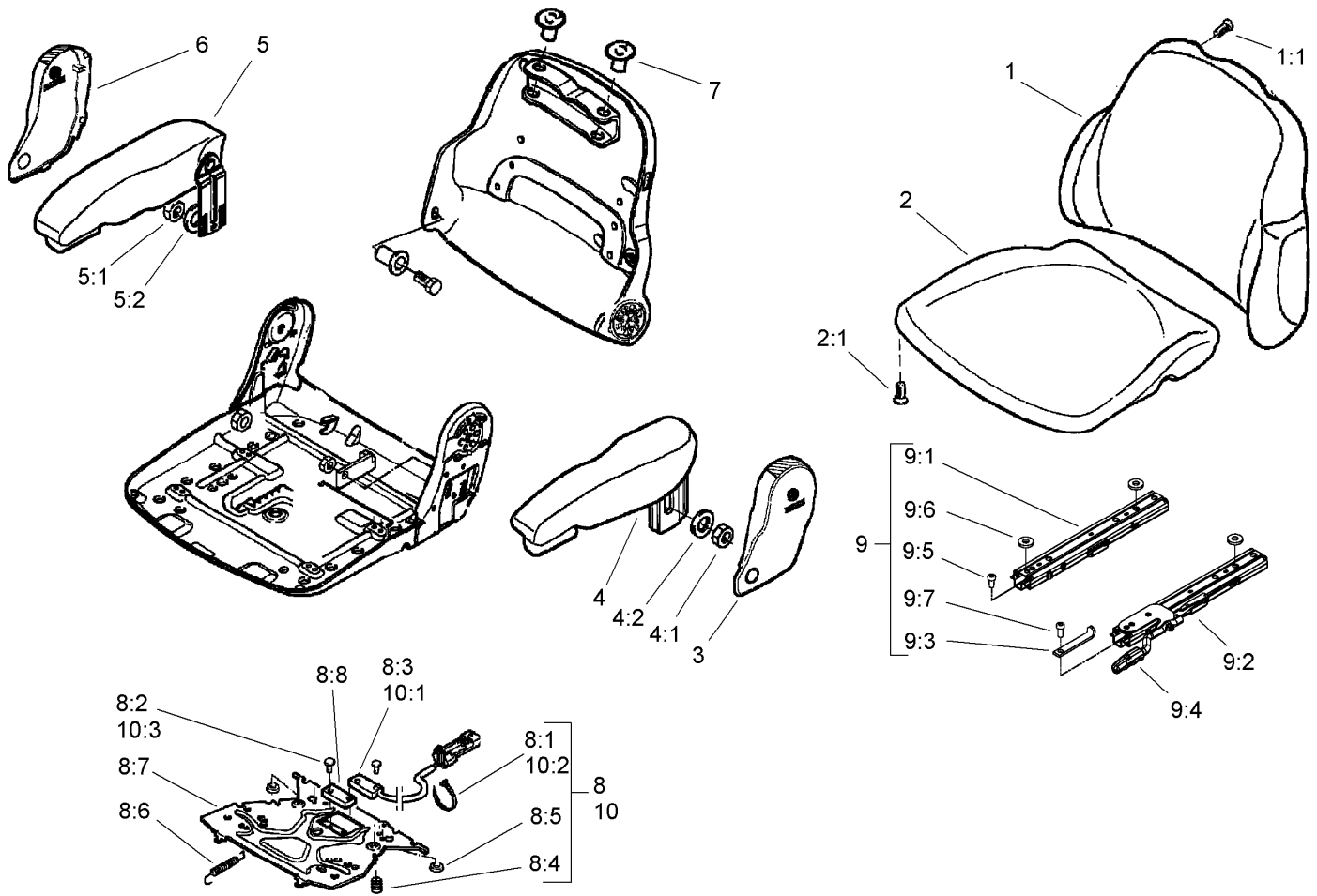
## Air Ride Seat Suspension Assembly Model No.

**30621 (continued)**

Ref.	Part Number	Qty.	Description	Ref.	Part Number	Qty.	Description
14:8	108-8037	4	Roller	14:12		1	Screw ■
14:9		9	Tie-Wire ■	15	108-8023	1	Tether
14:10		4	Tie-Wire ■	15:1		4	Screw ■
14:11		1	Nipple-Hose ■				

● Not illustrated

■ Not serviced separately

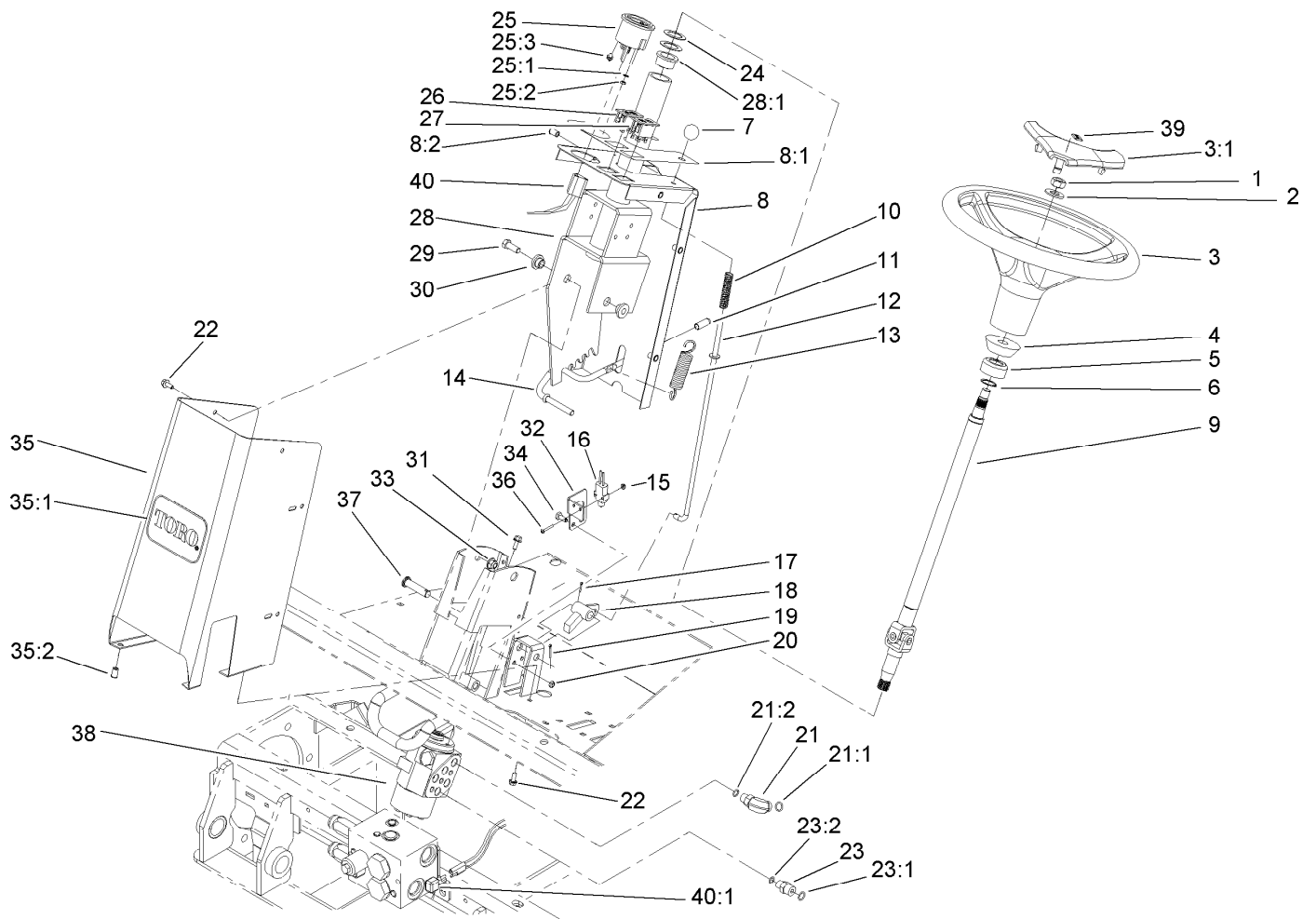


## Premium Seat Assembly Model No. 30622

Ref.	Part Number	Qty.	Description
1	108-8016	1	Backrest Cushion ASM
1:1		3	Screw ●
2	108-8017	1	Seat Cushion ASM
2:1		4	Screw ●
3	108-8018	1	Cover-Armrest
4	108-8019	1	LH Armrest ASM
4:1	82-9650	1	Nut
4:2	107-1198	1	Washer
5	108-8020	1	RH Armrest ASM
5:1	82-9650	1	Nut
5:2	107-1198	1	Washer
6	108-8021	1	Cover-Armrest
7	108-8022	2	Cover-Black
8	108-8024	1	Switch Kit
8:1		3	Wire Tie ●
8:2		4	Rivet ●
8:3		1	Switch ●

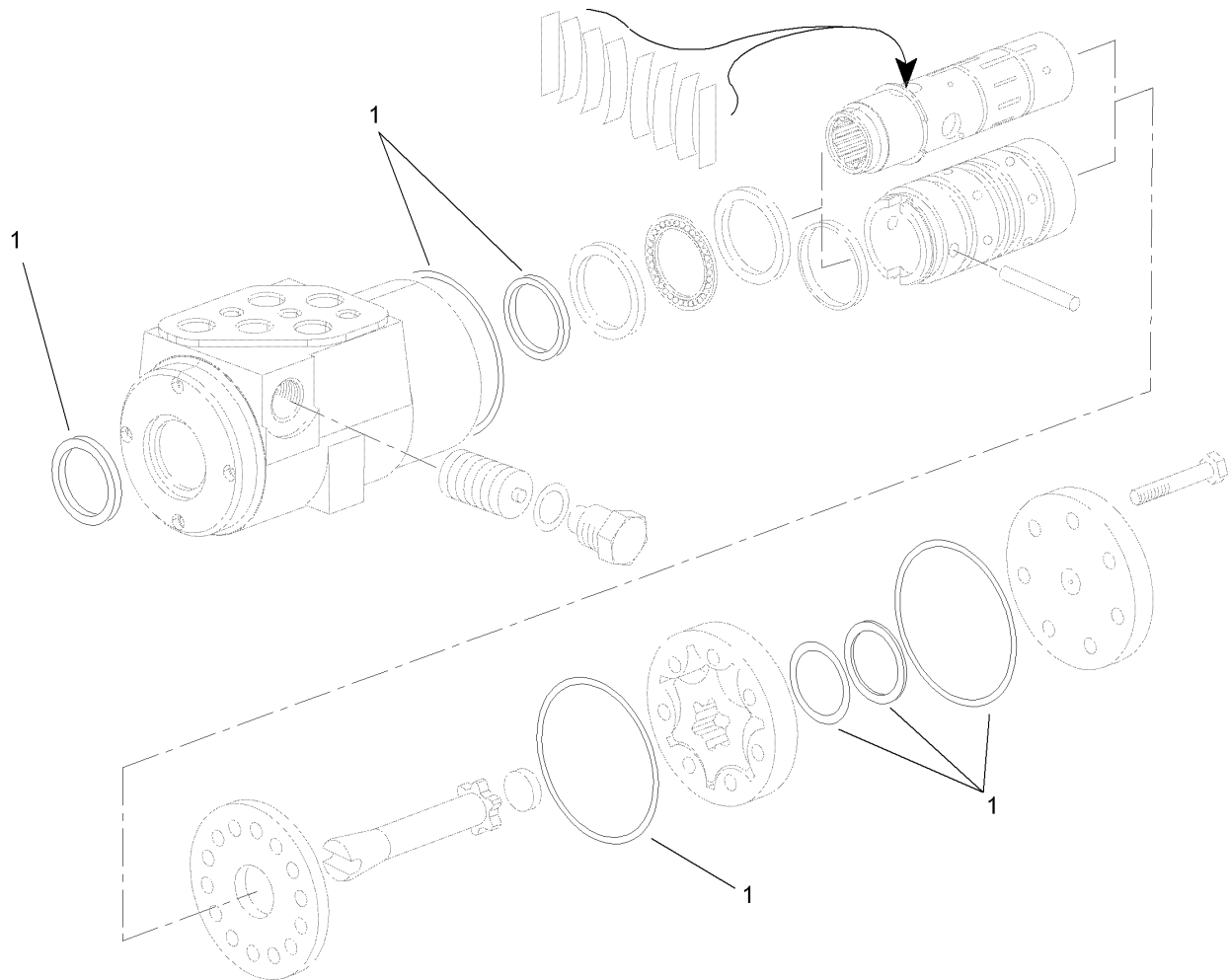
Ref.	Part Number	Qty.	Description
8:4		2	Spring ●
8:5		2	Bumper ●
8:6		1	Spring-Return ●
8:7		1	Plate-Mounting ●
8:8		1	Magnet ●
9	108-8025	1	Adjustment Rail Set
9:1		1	Rail-Adjustment, RH ●
9:2		1	Rail-Adjustment, LH ●
9:3		1	Stop-Rail ●
9:4		1	Handle ●
9:5		3	Screw ●
9:6		3	Washer ●
9:7		1	Screw ●
10	110-6189	1	Switch Kit
10:1		1	Switch ●
10:2		3	Wire Tie ●
10:3		2	Rivet ●

● Not serviced separately



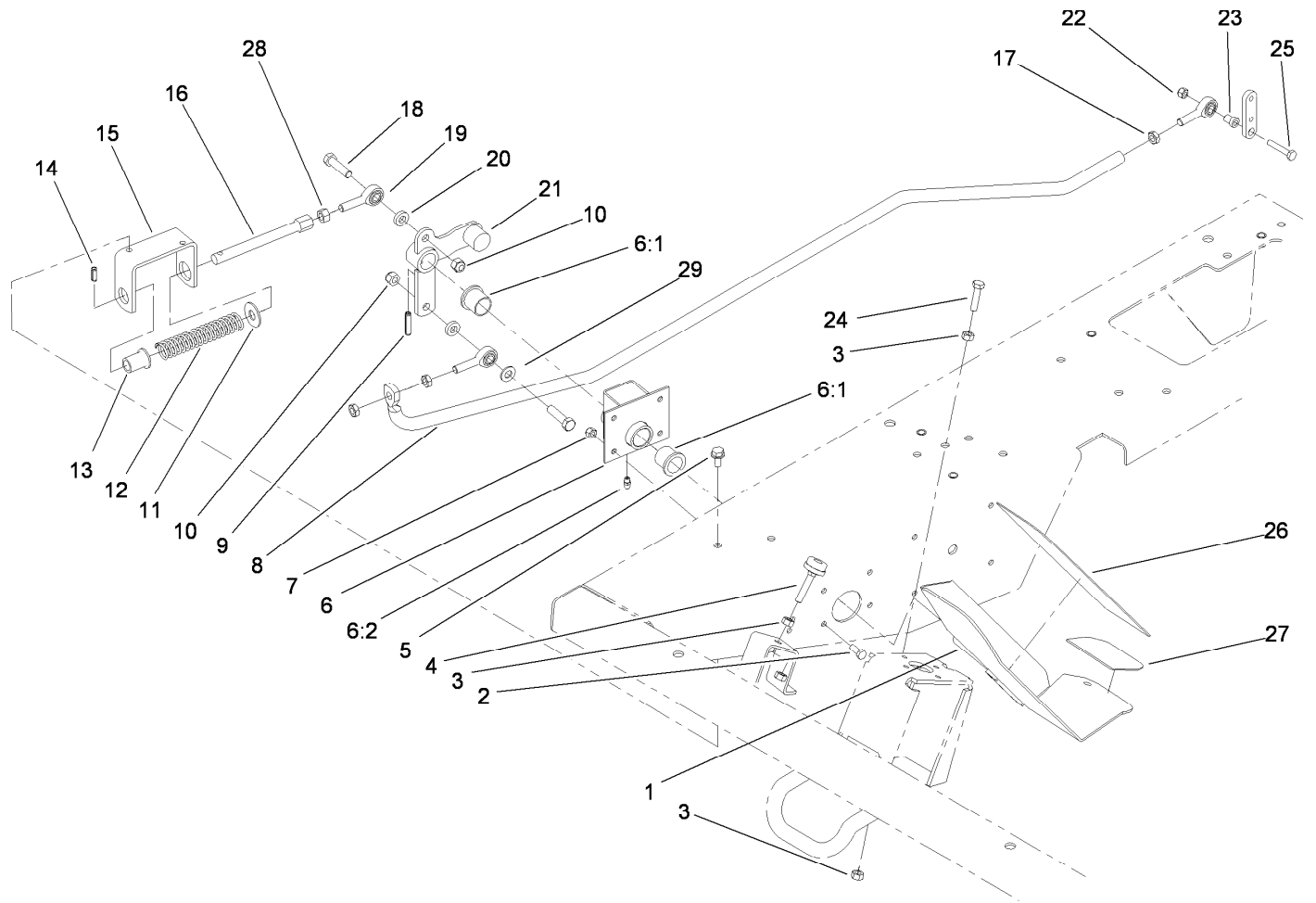
## Steering Tower Assembly

Ref.	Part Number	Qty.	Description	Ref.	Part Number	Qty.	Description
1	108-9342	1	Nut-Hex	23	340-2	4	Fitting-Straight
2	3256-27	1	Washer-Flat	23:1	237-22	1	O-Ring
3	98-1471	1	Wheel-Steering	23:2	237-42	1	O-Ring
3:1	98-1468	1	Cover-Wheel, Steering	24	9547	4	Washer-Thrust
4	93-5429	1	Collar-Foam	25	98-9308	1	Gauge-Temperature
5	93-5439	1	Seal-Steering	25:1	3254-1	3	Washer-Lock, Int
6	32151-29	2	Ring-Retaining	25:2	3217-27	3	Nut-Hex
7	93-5312	1	Knob	25:3	105-9265	1	Bulb And Lamp ASM
8	104-2274	1	Tower Cover ASM	26	100-8070	1	Lamp-Warning
8:1	104-2277	1	Decal-Tower	27	100-8071	1	Lamp-Warning
8:2	32148-6	6	Nut-Clinch	28	104-8332	1	Steering Column ASM
9	93-5428	1	Shaft-Steering	28:1	256-132	2	Bushing-Flange
10	71-8310	1	Spring-Compression	29	323-6	2	Screw-HH
11	93-5446	1	Cap-Vinyl	30	93-5988	2	Hub-Pivot
12	104-8308	1	Rod ASM	31	33103-016	4	Screw-HHF
13	93-5985	1	Spring-Extension	32	104-0128	1	Bracket-Switch
14	93-5989	1	Rod-Tilt	33	104-8301	2	Nut-HF, NI
15	3296-9	2	Nut-Hex	34	321-3	2	Screw-HH
16	99-3410	1	Switch	35	100-3038	1	Steering Tower ASM
17	3272-5	1	Pin-Cotter	35:1	67-1300	1	Decal
18	93-5276-03	1	Brake Pawl ASM	35:2	32148-6	4	Nut-Clinch
19	3272-6	1	Pin-Cotter	36	3250-35	2	Screw-PPH
20	3296-42	2	Nut-Lock, NI	37	283-5	1	Pin-Clevis
21	340-77	1	Fitting-Elbow, 90 DEG	38	114-5074	1	HYD Steering Valve ASM
21:1	237-22	1	O-Ring	39	98-1459	1	Decal
21:2	237-42	1	O-Ring	40	105-7476	1	Harness-Wire, Front
22	3234-33	10	Screw-HHF	40:1	100-4918	1	Diode



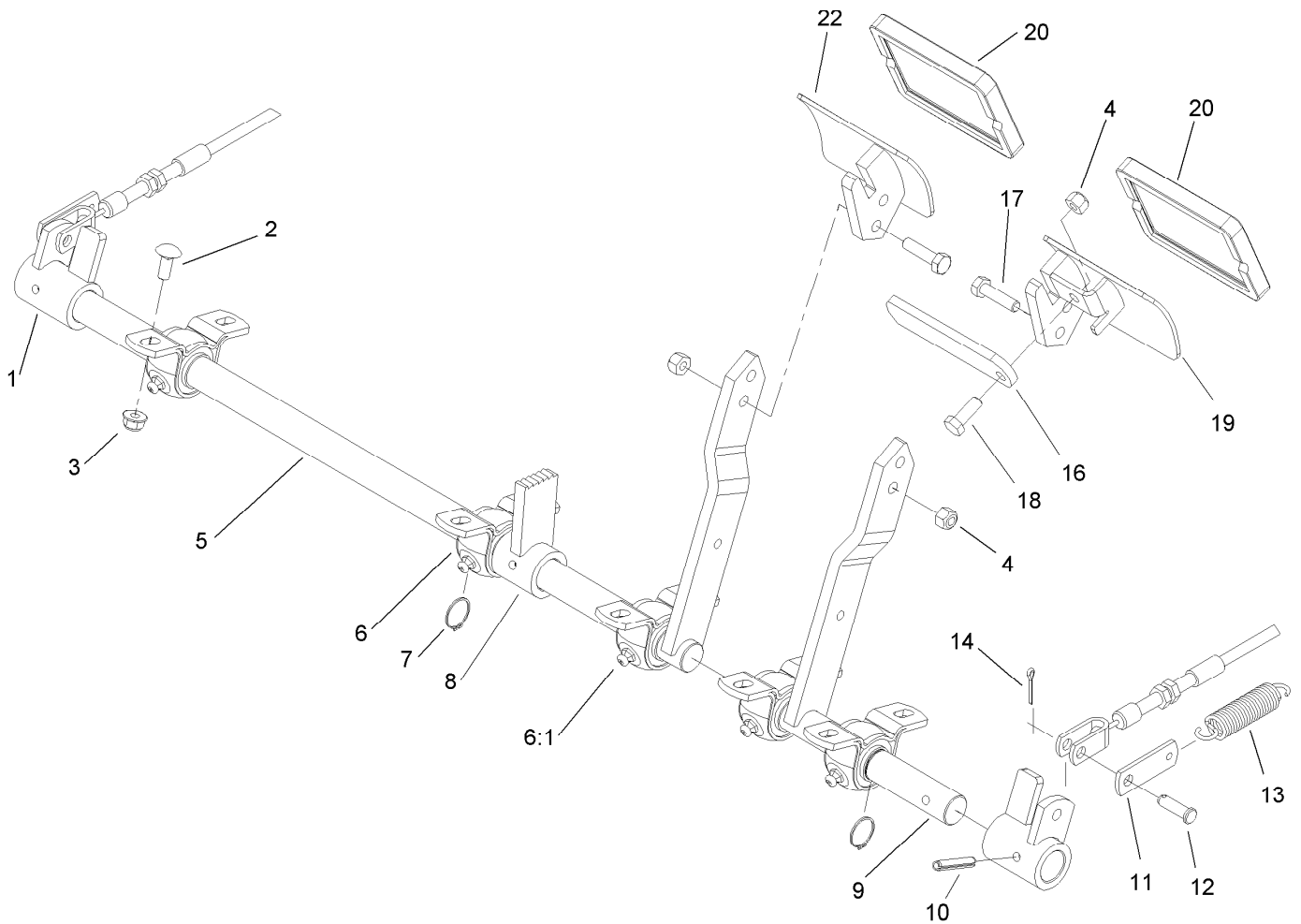
## Steering Valve Assembly No. 114-5074

<i>Ref.</i>	<i>Part Number</i>	<i>Qty.</i>	<i>Description</i>
1	108-1519	1	Seal Kit



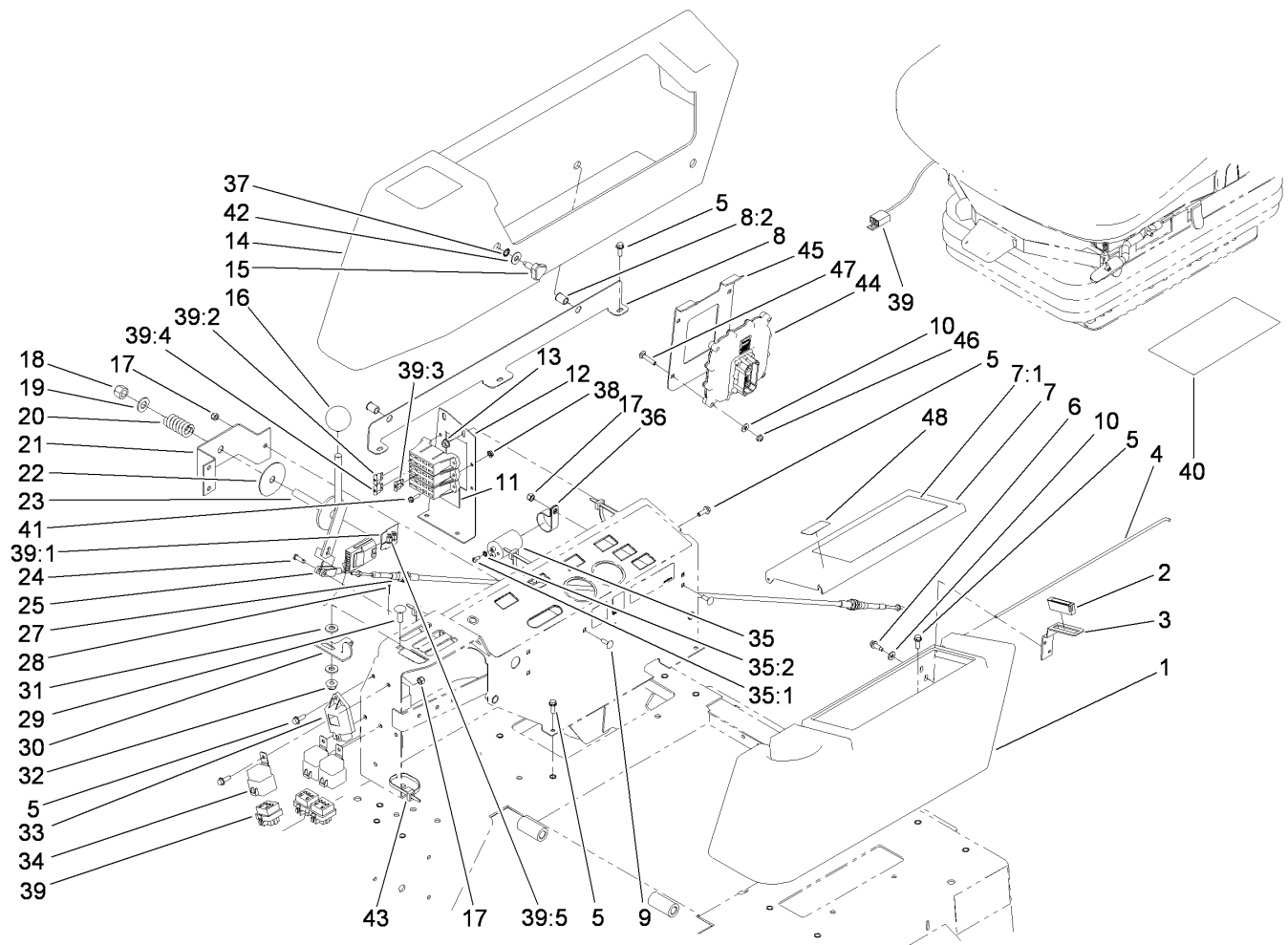
## Traction Pedal and Linkage Assembly

<i>Ref.</i>	<i>Part Number</i>	<i>Qty.</i>	<i>Description</i>	<i>Ref.</i>	<i>Part Number</i>	<i>Qty.</i>	<i>Description</i>
1	93-5133-01	1	Pedal-Traction	15	100-3137-03	1	Bracket-Spring
2	321-4	4	Screw-HH	16	92-7609	1	Shaft-Spring
3	3217-6	4	Nut-Hex	17	3220-3	3	Nut-HJ
4	32141-36	1	Screw-Adjustment, Level	18	323-9	2	Screw-HH
5	32144-14	2	Screw-HWHTF	19	2411-36	3	Bearing-End, Rod
6	104-3565	1	Pedal Bracket ASM	20	80-7730	2	Spacer
6:1	256-10	2	Bushing-Flange	21	114-2715	1	Lever-Traction
6:2	302-5	1	Fitting-Grease	22	3296-42	1	Nut-Lock, NI
7	3296-42	4	Nut-Lock, NI	23	104-7517	1	Spacer
8	100-3136-03	1	Rod-Traction	24	322-6	1	Screw-HH
9	32121-9	1	Pin-Roll, Slotted	25	321-9	1	Screw-HH
10	3296-39	2	Nut-Lock, NI	26	93-5347	1	Abrasive-Pedal
11	3256-5	1	Washer-Flat	27	93-5368	1	Abrasive-Pedal
12	84-9100	1	Spring	28	3219-3	1	Nut-Hex
13	92-7610	1	Retainer-Spring	29	3256-24	1	Washer-Flat
14	32121-11	1	Pin-Roll				



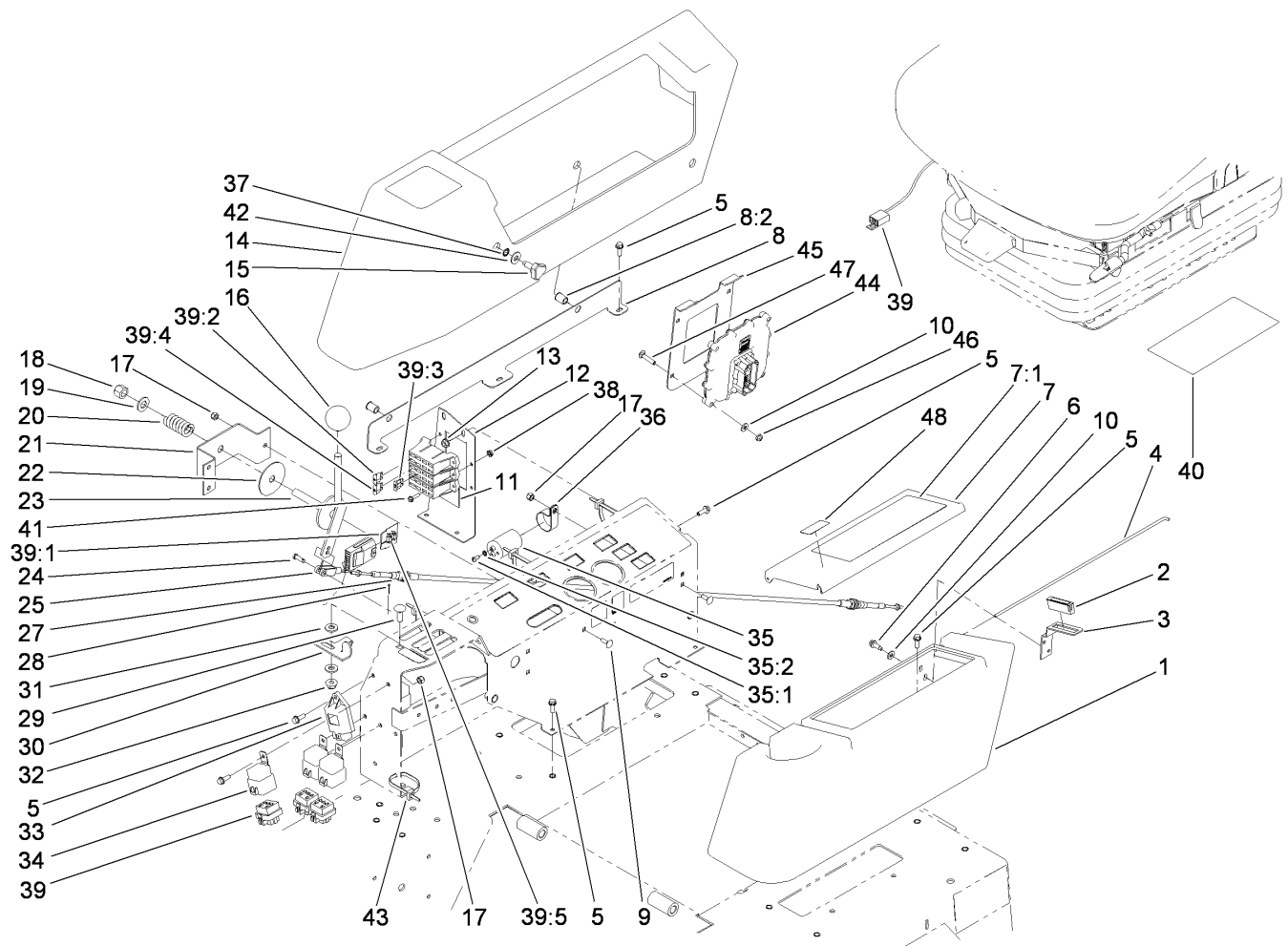
## Brake Pedal and Linkage Assembly

<i>Ref.</i>	<i>Part Number</i>	<i>Qty.</i>	<i>Description</i>
1	114-2714	2	Lever-Brake
2	3230-1	10	Bolt-CARR
3	104-8300	10	Nut-HF, NI
4	3296-29	5	Nut-Lock, NI
5	100-3000-03	1	RH Brake Arm ASM
6	93-4849	5	Bearing-Block, Pillow
6:1	302-5	1	Fitting-Grease
7	32151-83	3	Ring-Snap
8	93-5475-03	1	Brake Latch ASM
9	100-2997-03	1	LH Brake Arm ASM
10	32121-15	3	Pin-Roll
11	100-5540	2	Strap-Brake
12	283-61	2	Pin-Yoke
13	93-5262	2	Spring-Extension
14	3272-6	2	Pin-Cotter
16	93-5568	1	Arm-Lock
17	322-6	4	Screw-HH
18	322-4	1	Screw-HH
19	105-4553-03	1	LH Pedal ASM
20	93-8743	2	Footpad-Turn
22	105-4554-03	1	RH Pedal ASM



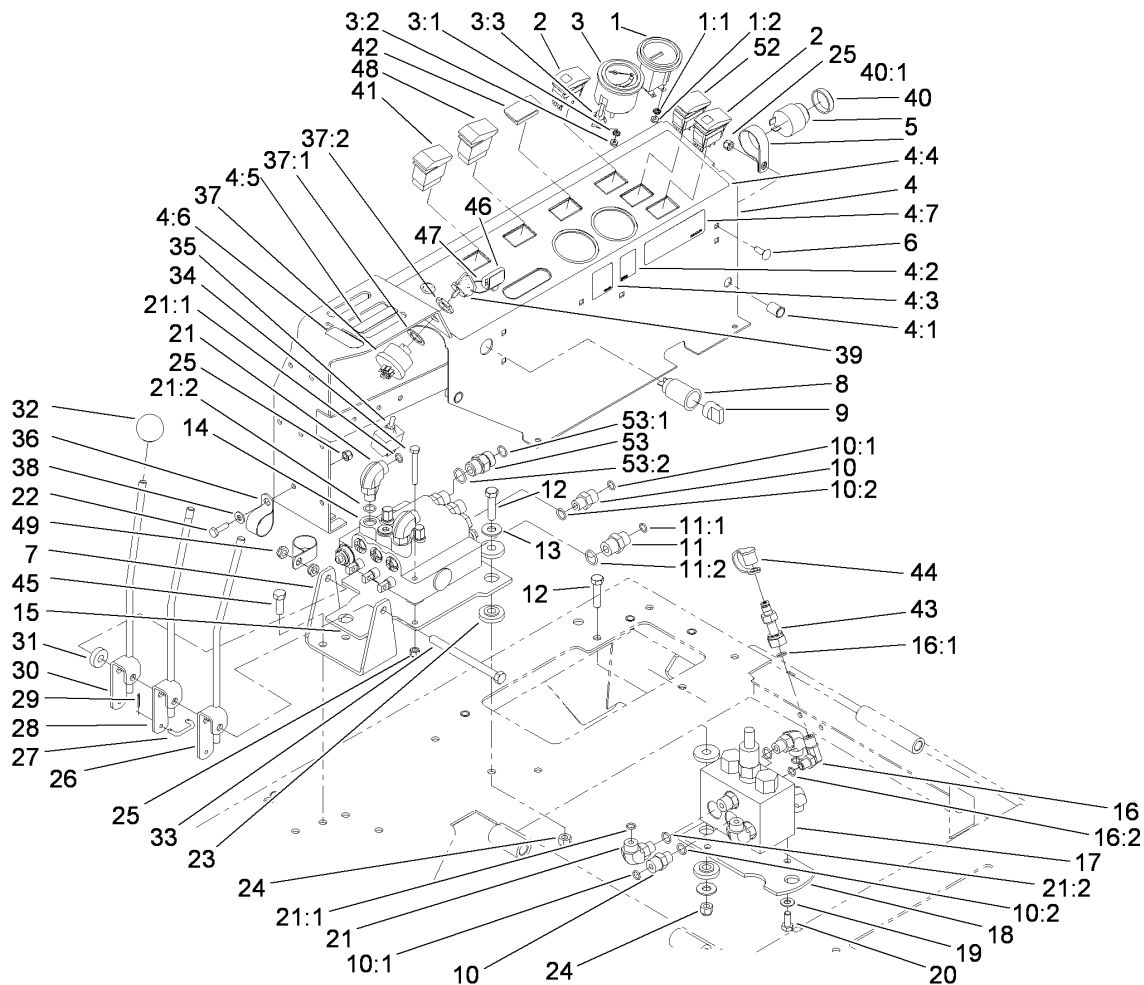
## Control Console and Tool Box Assembly

Ref.	Part Number	Qty.	Description	Ref.	Part Number	Qty.	Description
1	104-7515	1	Housing-Box, Tool	27	104-7547	1	Cable-Throttle
2	58-4250	1	Catch-Magnetic	28	3272-1	1	Pin-Cotter
3	104-7545	1	Bracket-Latch	29	3231-22	1	Screw-CARR
4	104-7548	1	Rod-Hinge	30	104-7543	1	Stop-Lever, Lift
5	3234-4	19	Screw-HHF	31	66-2920	2	Washer-Friction
6	32104-95	2	Screw-HWH	32	104-8301	1	Nut-HF, NI
7	104-8321	1	Tool Box Cover ASM	33	98-7611	1	Controller-Glow
7:1	114-5604	1	Decal-Warning, CE	34	99-7430	7	Relay-Mini 280
7:1	114-5605	1	Decal-Warning	35	37-2690	2	Capacitor
8	105-0780	1	Console Support ASM	35:1	3252-18	2	Screw
8:2	32148-9	2	Nut-Clinch	35:2	3254-1	2	Washer-Lock, Int
9	3229-1	5	Bolt-CARR	36	2412-74	2	R-Clamp
10	3256-22	6	Washer-Flat	37	32151-72	4	Ring-Retaining
11	115-8474	1	Decal-Fuse	38	32149-7	2	Nut-Keps
12	115-3793-03	1	Support-Control Panel	39	114-9756	1	Harness-Wire
13	32128-33	2	Nut-HF	39:1	92-3188	1	Diode-Board, Circuit
14	104-7514	1	Housing-Console	39:2	110928	1	Fuse-Blade, 5 Amp
15	95-9648	4	Knob	39:3	114241	1	Fuse-Blade, 7.5 Amp
16	233-48	1	Knob	39:4	218-578	5	Fuse-Blade, 10 Amp
17	3296-42	9	Nut-Lock, NI	39:5	100-4918	1	Diode
18	3296-23	1	Nut-Lock, NI	40	114-5604	1	Decal-Warning, CE
19	3256-26	1	Washer-Flat	41	32105-13	3	Screw-HWH
20	3-8596	1	Spring-Compression	42	3256-3	4	Washer-Flat
21	104-7539-03	1	Bracket-Pivot	43	3290-378	6	Tie-Cable
22	3-2858	1	Disc-Friction	44	114-3321	1	Controller-Tec
23	104-7538	1	Throttle Lever ASM	45	115-3785-03	1	Mount-Controller
24	283-67	1	Pin-Clevis	46	3296-56	4	Nut-Lock, NI
25	282-28	1	Clevis-Adjustable				



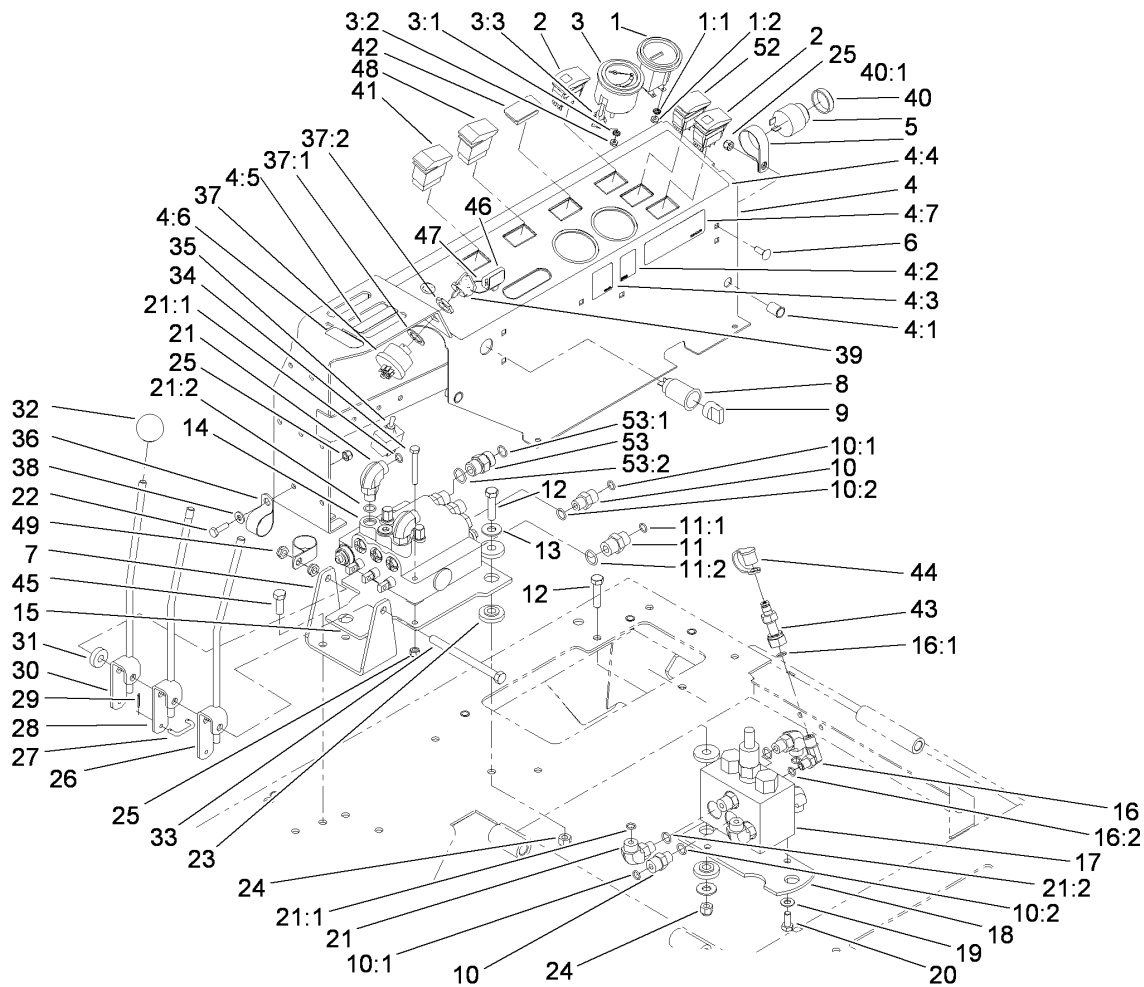
## Control Console and Tool Box Assembly (continued)

<i>Ref.</i>	<i>Part Number</i>	<i>Qty.</i>	<i>Description</i>
47	3229-3	4	Screw-CARR
48	98-4387	1	Decal-Protection, Ear



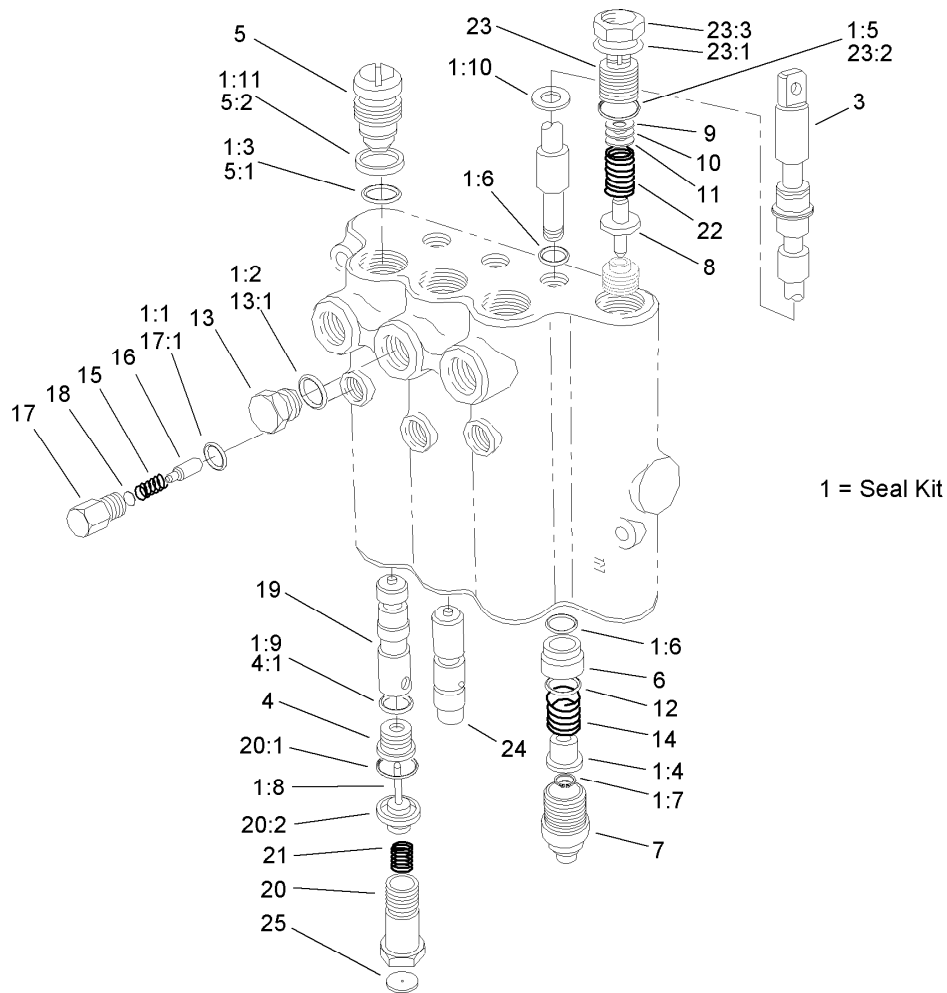
## Control Console Assembly

Ref.	Part Number	Qty.	Description	Ref.	Part Number	Qty.	Description
1	66-2950	1	Gauge-Hourmeter	13	3256-4	5	Washer-Flat
1:1	3255-20	2	Washer-Lock	14	105-4563	1	Control Valve ASM
1:2	3217-25	2	Nut-Hex	15	105-0789-03	1	Bracket-Valve
2	100-8072	2	Switch	16	340-97	1	Fitting-Elbow, 90 DEG
3	98-9339	1	Gauge-Fuel	16:1	237-22	1	O-Ring
3:1	3254-1	3	Washer-Lock, Int	16:2	237-78	1	O-Ring
3:2	3217-27	3	Nut-Hex	17	104-0788	1	Valve ASM
3:3	105-9265	1	Bulb And Lamp ASM	18	104-2231-03	1	Plate-Valve
4	115-3750	1	Control Panel ASM	19	3256-23	2	Washer-Plain
4:1	32148-9	2	Nut-Clinch	20	322-3	2	Screw-HH
4:2	93-7252	1	Decal	21	340-77	6	Fitting-Elbow, 90 DEG
4:3	105-4674	1	Decal-Noise	21:1	237-22	1	O-Ring
4:4	115-3753	1	Decal-Control Panel	21:2	237-42	1	O-Ring
4:5	104-8324	1	Decal-Lift	22	321-5	1	Screw-HH
4:6	104-8325	1	Decal-Lock	23	240-11	10	Bushing-Flange
4:7	108-5278	1	Decal	24	3296-39	7	Nut-Lock, NI
5	2412-74	1	R-Clamp	25	3296-42	4	Nut-Lock, NI
6	3229-1	1	Bolt-CARR	26	100-3123	1	LH Lever ASM
7	105-0788-03	1	Bracket-Pivot	27	69-9140	3	Link-Lever, Valve
8	99-7411	1	Point-Power	28	100-3122	1	Center Lever ASM
9	99-7416	1	Cap	29	3272-1	6	Pin-Cotter
10	340-2	4	Fitting-Straight	30	100-3121	1	RH Lever ASM
10:1	237-22	1	O-Ring	31	62-6660	1	Spacer
10:2	237-42	1	O-Ring	32	233-42	3	Knob
11	340-3	1	Fitting-Straight	33	323-38	1	Screw-HH
11:1	237-22	1	O-Ring	34	321-11	2	Screw-HH
11:2	237-79	1	O-Ring	35	93-5270	1	Switch-PTO
12	323-8	5	Screw-HH	36	2412-126	2	R-Clamp



## Control Console Assembly (continued)

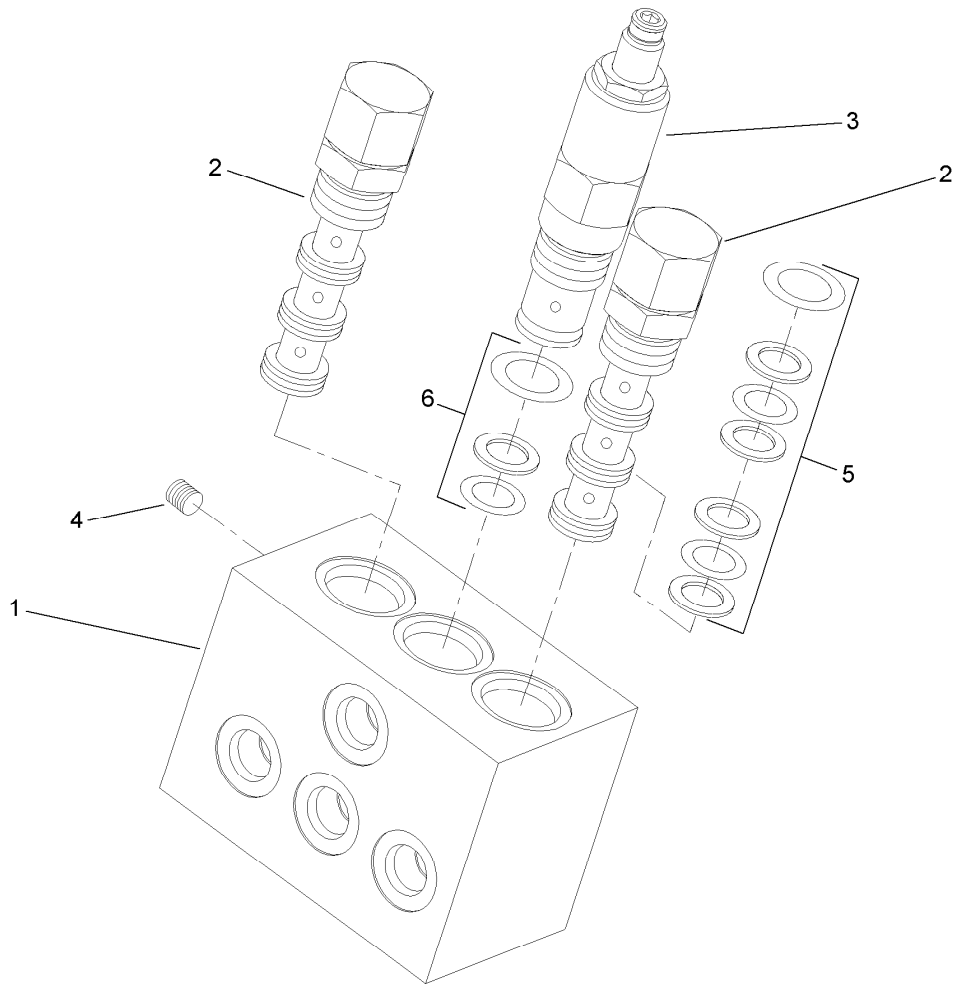
<i>Ref.</i>	<i>Part Number</i>	<i>Qty.</i>	<i>Description</i>	<i>Ref.</i>	<i>Part Number</i>	<i>Qty.</i>	<i>Description</i>
37	88-9830	1	Key Switch ASM	44	354-79	1	Cap-Dust
37:1	3254-5	1	Washer-Lock	45	323-6	2	Screw-HH
37:2	218-461	1	Nut-HH	46	99-8970	1	Key-Latch, Hood
38	3256-22	1	Washer-Flat	47	98-9321	1	Ring-Key
39	63-8360	2	Key-Ignition	48	106-2027	1	Switch-Intermittent
40	80-9330	1	Audio Alarm ASM	49	3296-59	2	Nut-Lock, NI
40:1	104-5107	1	Nut-Plastic, Knurled	52	114-3329	1	Switch-Rocker
41	95-8999	1	Switch	53	340-4	1	Fitting-Straight
42	99-7420	1	Plug-Hole	53:1	237-30	1	O-Ring
43	86-5480	1	Nipple-Test	53:2	237-79	1	O-Ring



## Control Valve Assembly No. 105-4563

Ref.	Part Number	Qty.	Description	Ref.	Part Number	Qty.	Description
1	60-3780	1	Seal Kit	11	58-6490	1	Washer
1:1	58-6790	3	O-Ring	12	65-2770	3	Washer
1:2	58-6720	3	O-Ring	13	58-6710	1	Plug
1:3	60-5720	6	O-Ring	13:1	58-6720	1	O-Ring
1:4	58-6310	6	Spacer	14	58-6730	3	Spring
1:5	58-6750	1	O-Ring	15	58-6760	3	Spring
1:6	58-6450	6	O-Ring	16	58-6770	3	Plunger
1:7	58-6460	3	Ring-Retaining	17	58-6780	3	Plug
1:8	58-6290	3	Poppet	17:1	58-6790	1	O-Ring
1:9	58-6340	3	O-Ring	18	60-6450	1	Disc
1:10	58-6320	3	Wiper	19	84-6420	2	Plunger
1:11	58-6370	1	Washer	20	69-1800	3	Plug ASM
3		1	Spool ●	20:1	60-5720	1	O-Ring
4	58-6330	3	Seat	20:2	58-6370	1	Washer
4:1	58-6340	1	O-Ring	21	69-1810	3	Spring
5	58-6350	3	Plug	22	84-6450	1	Spring
5:1	60-5720	1	O-Ring	23	69-1830	1	Plug ASM
5:2	58-6370	1	Washer	23:1		1	Washer ●
6	58-6400	3	Bushing	23:2	58-6750	1	O-Ring
7	58-6420	3	Cap	23:3		1	Nut-Lock ●
8	92-2568	1	Poppet	24	69-1840	1	Plunger
9	58-6470	1	Washer	25	105-4565	2	Plate-Orifice
10	58-6480	1	Washer				

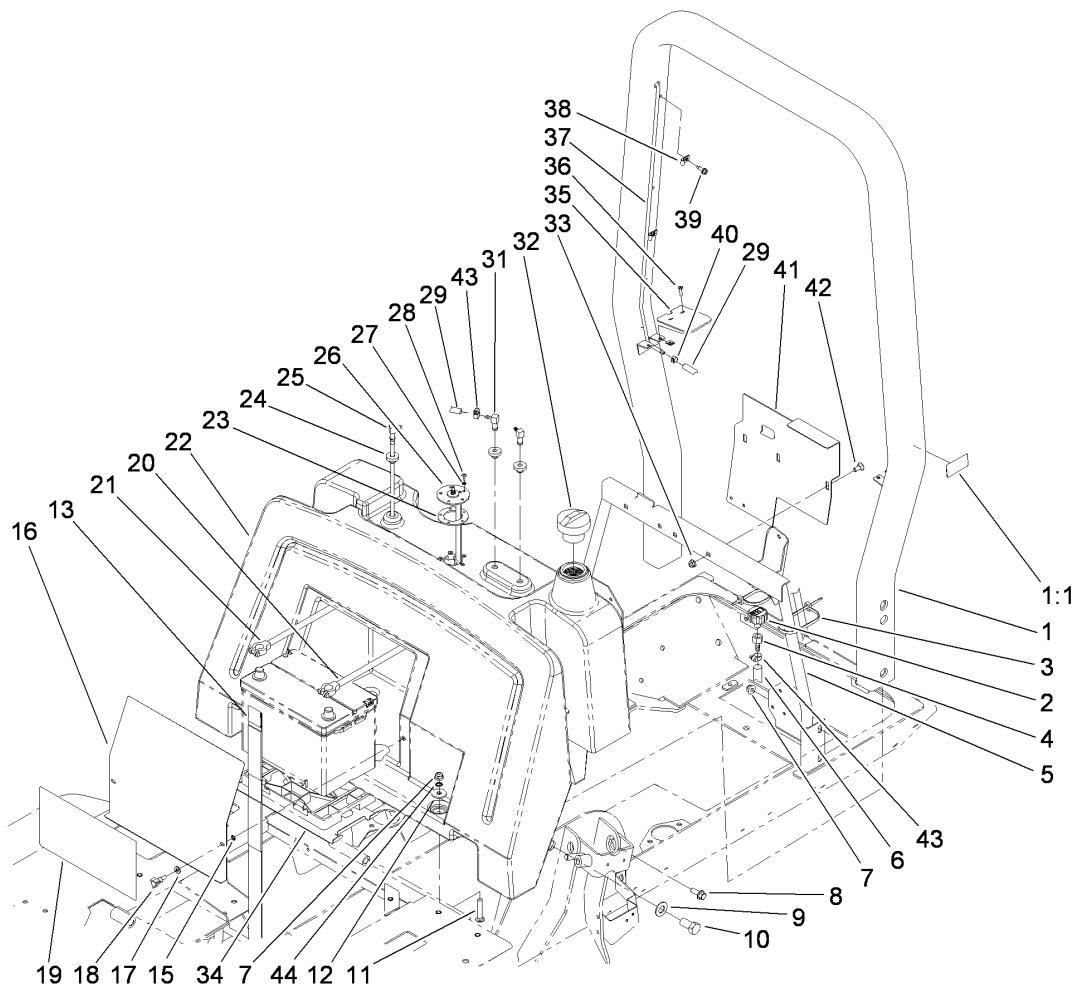
● Not serviced separately



## Valve Assembly No. 104-0788

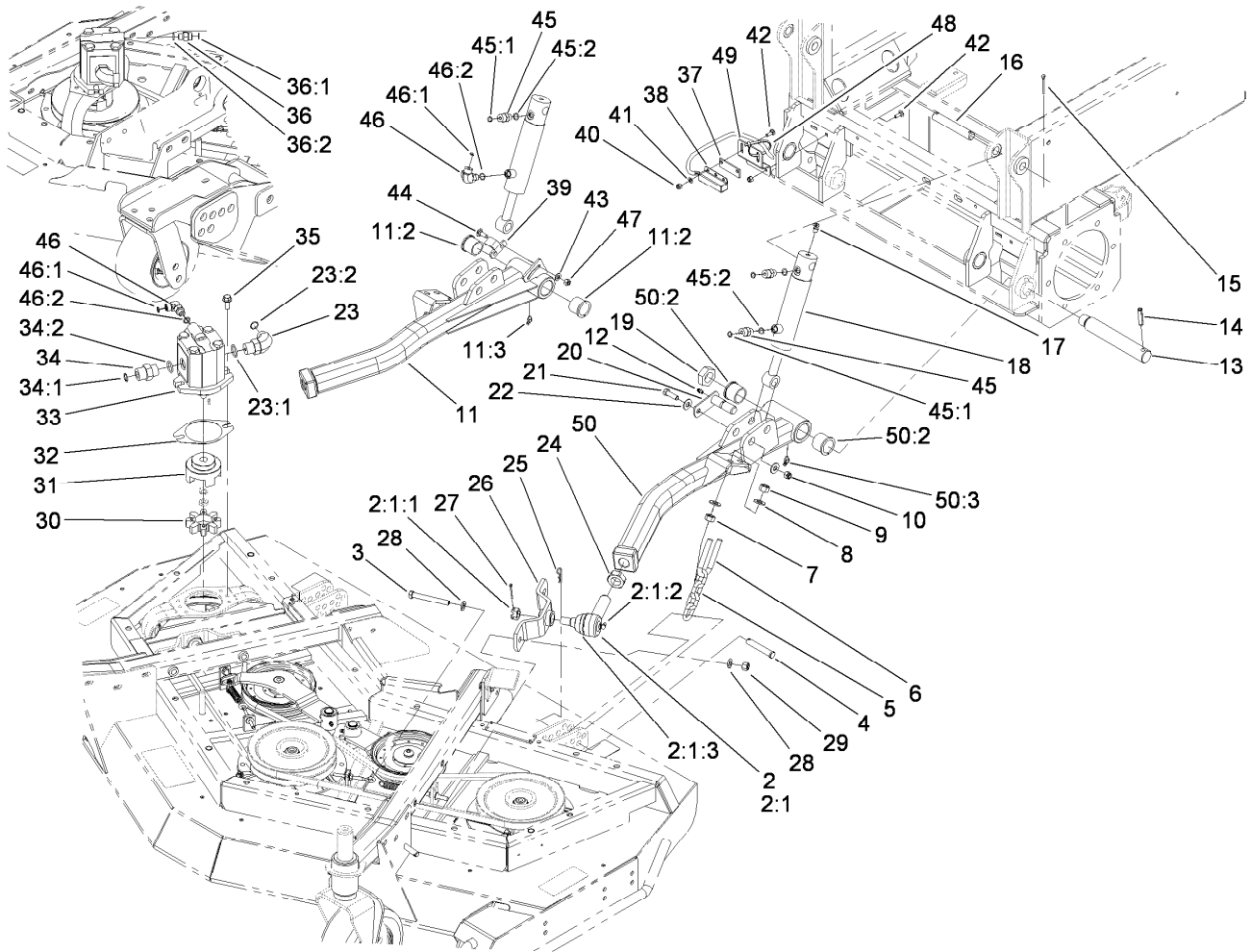
<i>Ref.</i>	<i>Part Number</i>	<i>Qty.</i>	<i>Description</i>
1		1	Manifold ●
2	104-4295	2	Valve-Pilot
3	104-4296	1	Valve-Relief
4		1	Plug-Expander ●
5	99-5502	2	Seal Kit
6	99-5503	1	Seal Kit

● Not serviced separately



## Fuel Tank, Battery and Roll-Over Protection System Assembly

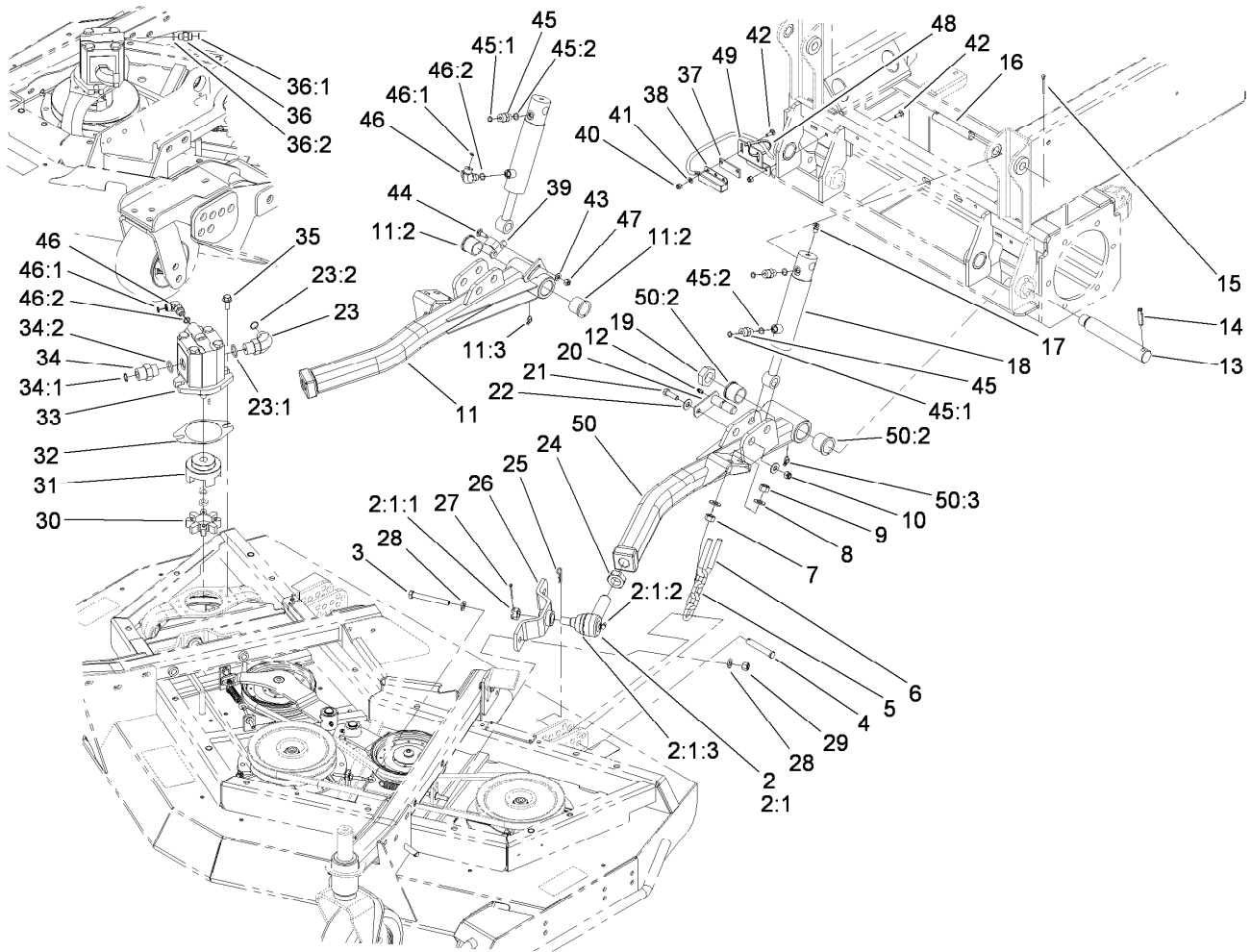
<i>Ref.</i>	<i>Part Number</i>	<i>Qty.</i>	<i>Description</i>	<i>Ref.</i>	<i>Part Number</i>	<i>Qty.</i>	<i>Description</i>
1	105-2849	1	ROPS ASM	23	62-7650	1	Gasket
1:1	105-2834	1	Decal-ROPS	24	46-6560	3	Bushing
2	68-6150	1	Breather	25	114-3836	1	Pipe-Stand
3	3290-378	2	Tie-Cable	26	104-0700	1	Sender-Fuel
4	354-95	1	Fitting-Straight	27	3253-15	5	Washer-Lock
5	104-0714-03	1	Tank Support ASM	28	32122-24	5	Screw-PTH
6	110-3259	1	Hose-Fuel	29	110-3255	1	Hose-Fuel
7	104-8301	6	Nut-HF, NI	31	104-5228	2	Fitting-Elbow, 90 DEG
8	3234-42	4	Screw-HHF	32	115-3002	1	Cap-Biodiesel
9	3256-27	4	Washer-Flat	33	104-8300	2	Nut-HF, NI
10	327-3	4	Screw-HH	34	105-0774-03	1	Plate-Battery
11	3231-6	2	Screw-CARR	35	104-8319	2	Cover-Tank
12	63-8410	2	Washer	36	3250-13	4	Screw-PPH
13	94-1445	1	Strap-Battery	37	104-0718	1	Tube-Vent
15	32151-106	2	Ring-Retaining	38	2412-72	3	Clip-Closed, Insulated
16	104-0717-03	1	Cover-Battery	39	32104-95	3	Screw-HWH
17	3256-22	2	Washer-Flat	40	3290-191	4	Nut-Clip,U
18	233-70	2	Knob-Star, Three	41	104-2286-03	1	Bracket-Tank, Fuel
19	115-8456	1	Decal-Service	42	3230-1	2	Bolt-CARR
20	104-0761	1	Cable-Negative	43	2412-108	3	Clamp-Worm
21	108-1802	1	Cable-Battery, Positive	44	32151-72	2	Ring-Retaining
22	115-3788	1	Tank-Fuel				



## Front Deck Lift Arm and Cylinder Assembly

Ref.	Part Number	Qty.	Description	Ref.	Part Number	Qty.	Description
2	86-8101-03	2	LH Ball Joint ASM ●	21	323-7	2	Screw-HH
2:1		1	Joint-Ball, LH ●	22	3256-4	4	Washer-Flat
2:1:1	32136-2	1	Nut-SHH	23	340-139	5	Fitting-Elbow 90
2:1:2	302-40	1	Fitting-Grease, 90 DEG	23:1	237-81	1	O-Ring
2:1:3	105-7835	1	Seal	23:2	237-65	1	O-Ring
3	324-19	4	Screw-HH	24	21-3001-03	2	Nut-Jam, Push Arm
4	283-55	2	Pin-Clevis	25	3290-467	2	Pin-Hair
5	95-6231	2	Chain-HOC	26	93-4583-01	2	Mount-Joint, Ball
6	104-0108	2	U-Bolt	27	3272-12	2	Pin-Cotter
7	3217-9	4	Nut-HH	28	87-7480	8	Washer
8	3256-26	8	Washer-Flat	29	3296-48	4	Nut-Lock, NI
9	3296-25	4	Nut-Lock, NI	30	104-3542	3	Spider
10	3296-39	2	Nut-Lock, NI	31	104-3541	3	Hub-Spider
11	100-3031	1	RH Lift Arm ASM	32	100-5638	3	Shim
11:2	104-0015	2	Bushing-Flange	33	99-5489	3	Gear Motor ASM
11:3	302-11	1	Fitting-Lube, 45 DEG	34	340-8	1	Fitting-Straight
12	302-5	2	Fitting-Grease	34:1	237-65	1	O-Ring
13	100-3017	2	Pin-Arm, Lift	34:2	237-81	1	O-Ring
14	32121-110	2	Pin-Roll, Slotted	35	3234-42	6	Screw-HHF
15	3272-23	4	Pin-Cotter	36	340-2	2	Fitting-Straight
16	105-7456	2	Pin-Pivot	36:1	237-22	1	O-Ring
17	302-33	2	Fitting-Grease	36:2	237-42	1	O-Ring
18	107-4304	2	HYD Cylinder ASM	37	104-3595	1	Spacer-Switch
19	3296-49	2	Nut-Lock, NI	38	104-0758	1	Sensor-Ferrous
20	100-3020	2	Pin	39	104-3598	1	Plate-Sensing, Front

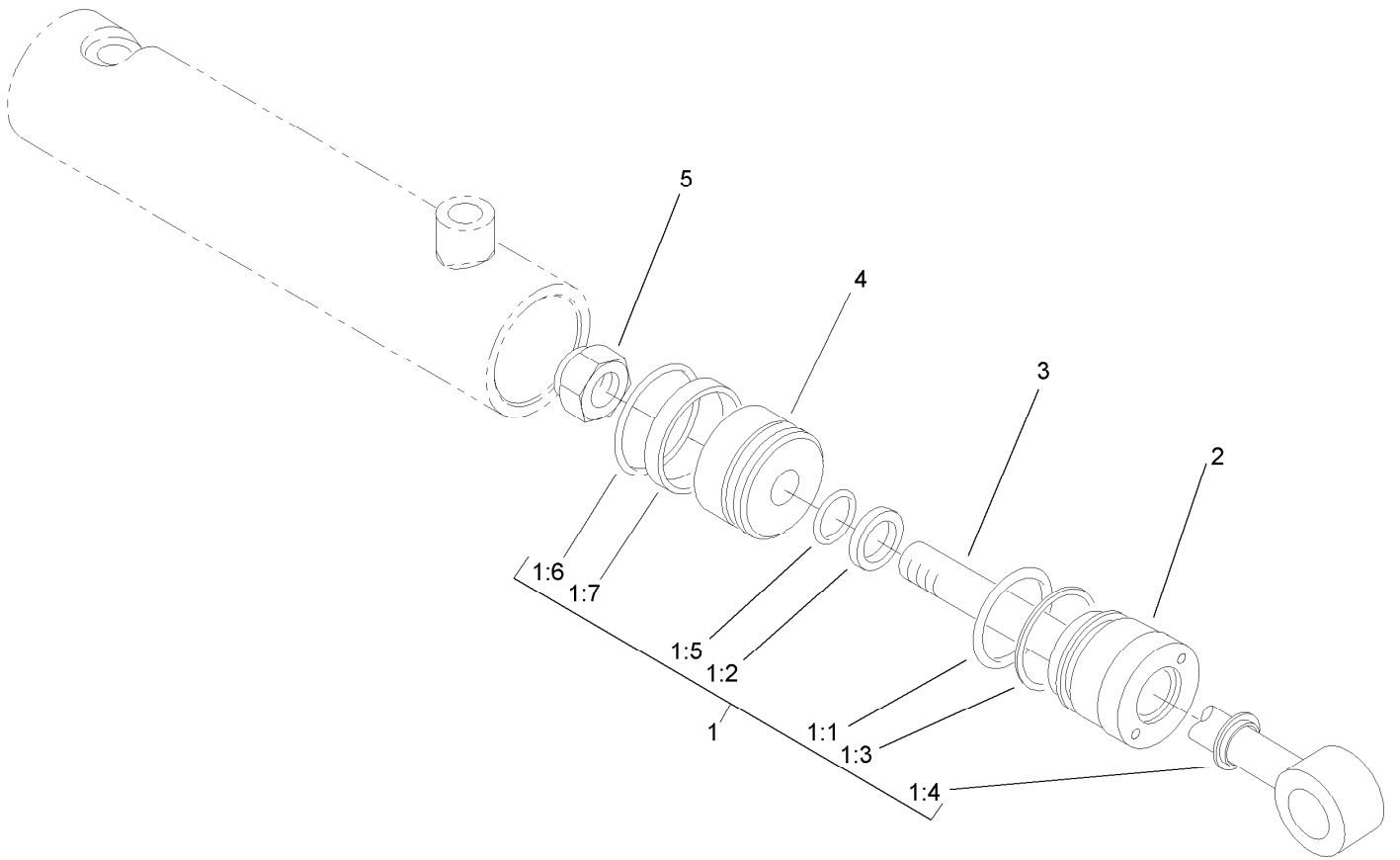
● Not serviced separately



## Front Deck Lift Arm and Cylinder Assembly (continued)

Ref.	Part Number	Qty.	Description	Ref.	Part Number	Qty.	Description
40	3296-42	4	Nut-Lock, NI	46:1	237-22	1	O-Ring
41	3256-60	2	Washer-Flat	46:2	237-42	1	O-Ring
42	3229-1	4	Bolt-CARR	47	3296-29	2	Nut-Lock, NI
43	3256-23	2	Washer-Plain	48	3290-379	1	Tie-Cable
44	3230-16	2	Screw-CARR	49	106-7176	1	Bracket-Switch
45	340-2	3	Fitting-Straight	50	100-3032	1	LH Lift Arm ASM
45:1	237-22	1	O-Ring	50:2	104-0015	2	Bushing-Flange
45:2	237-42	1	O-Ring	50:3	302-11	1	Fitting-Lube, 45 DEG
46	340-77	2	Fitting-Elbow, 90 DEG				

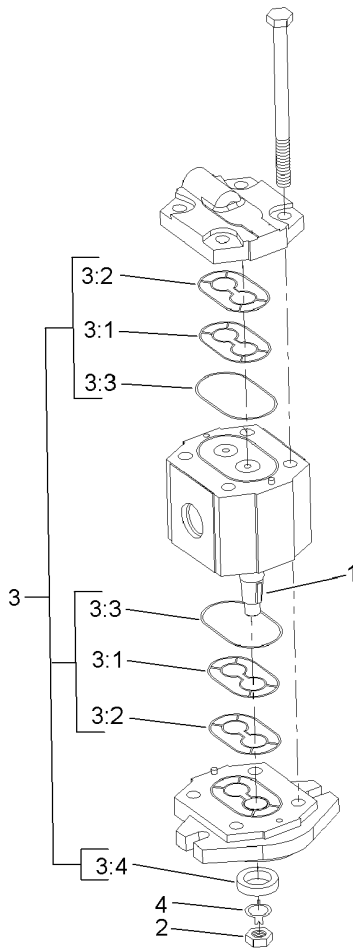
● Not serviced separately



## Hydraulic Cylinder Assembly No. 107-4304

<i>Ref.</i>	<i>Part Number</i>	<i>Qty.</i>	<i>Description</i>
1	107-0248	1	Seal Kit
1:1		1	Ring-Retaining ●
1:2		1	Seal ●
1:3		1	Back-Up ●
1:4		1	Wiper ●
1:5		1	Ring-Retaining ●
1:6		1	Seal W/Loader ●
1:7		1	Wear Ring ●
2		1	Head ●
3		1	Rod ASM ●
4		1	Piston ●
5		1	Locknut ●

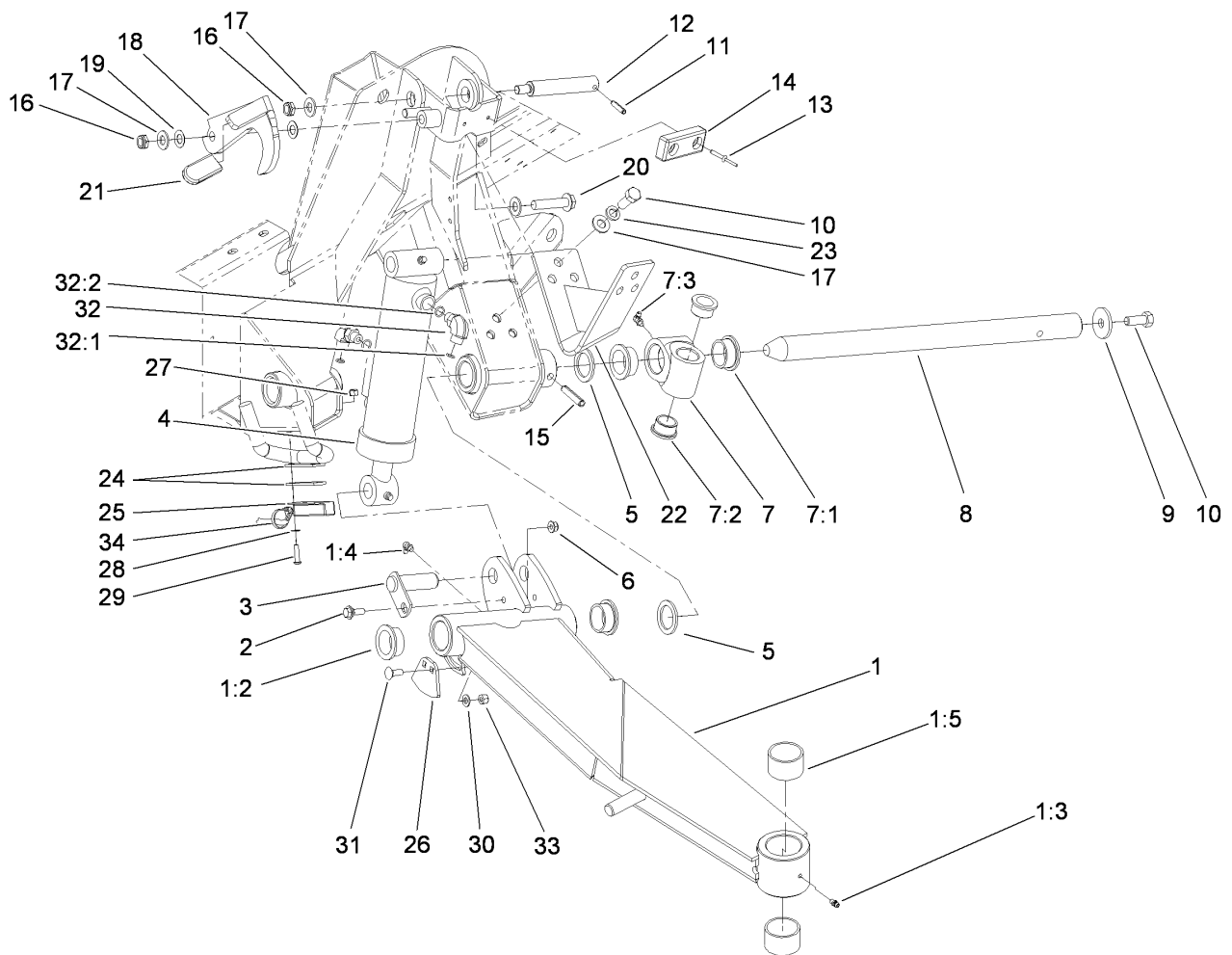
● Not serviced separately



## Gear Motor Assembly No. 99-5489

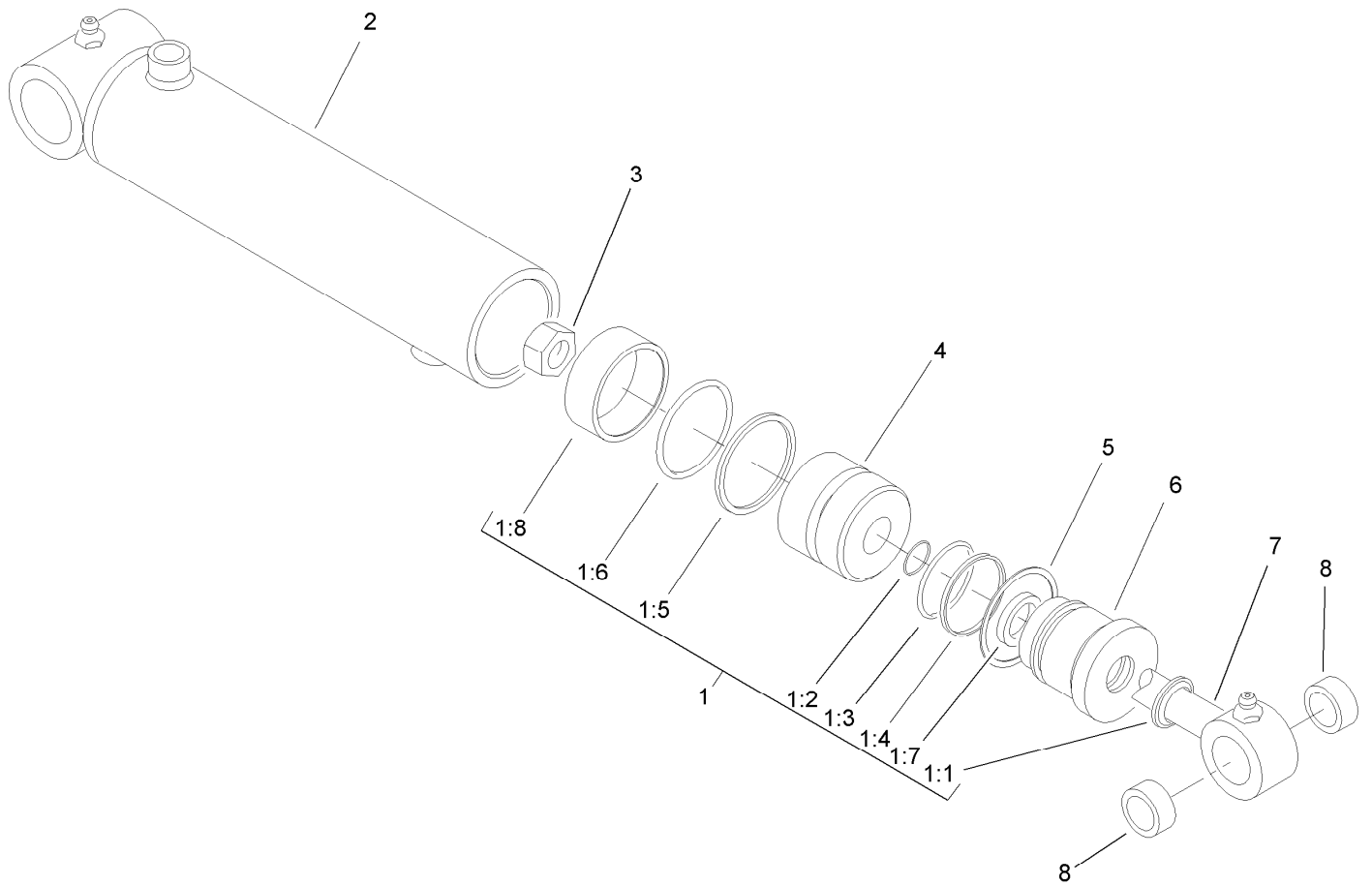
<i>Ref.</i>	<i>Part Number</i>	<i>Qty.</i>	<i>Description</i>
1	3257-3	1	Key-Woodruff
2	110-8815	1	Nut-Hex
3	104-4284	1	Seal Kit
3:1		2	Anti-Ext Ring ●
3:2		2	Seal ●
3:3		2	Ring-Retaining ●
3:4		1	Seal-Lip, Shaft ●
4	104-4283	1	Washer-Tab

● Not serviced separately



## Side Deck Lift Arm, Cylinder and Latch Assembly

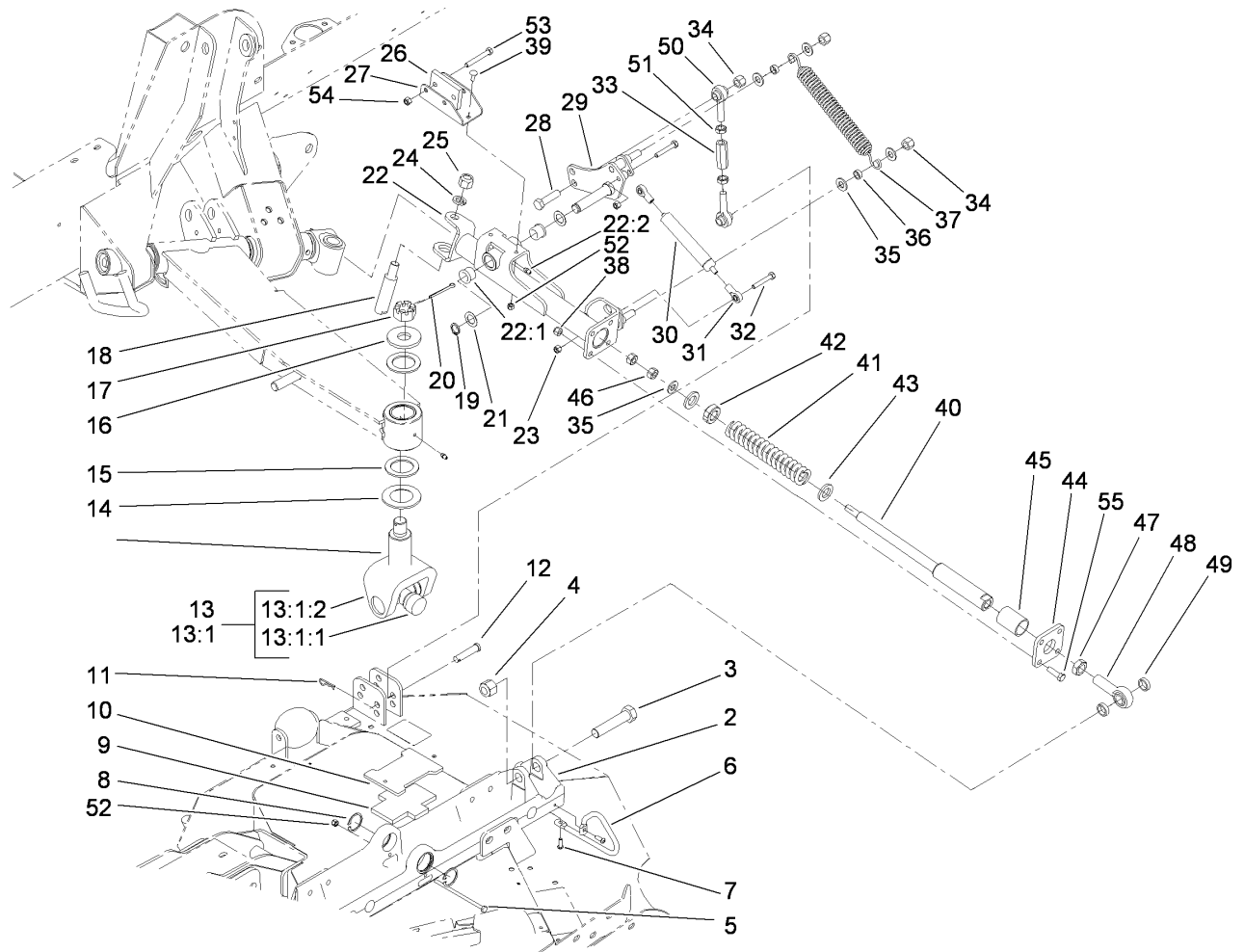
Ref.	Part Number	Qty.	Description	Ref.	Part Number	Qty.	Description
1	100-8122	1	RH Lift Arm ASM	16	3296-45	4	Nut-Hex
1	100-8123	1	LH Lift Arm ASM	17	3256-26	8	Washer-Flat
1:2	69-6470	2	Bushing-Castor	18	104-3556-03	1	Latch-RH
1:3	302-5	1	Fitting-Grease	18	104-3557-03	1	Latch-LH
1:4	302-60	1	Fitting-Grease	19	104-3577	4	Washer
1:5	104-8341	2	Bushing-Straight	20	3234-46	2	Screw-HHF
2	27-0410	2	Screw-Shoulder	21	48-7081	2	Grip-Plastic
3	100-5674	2	Pin	22	104-8330-03	2	Bracket-Cam
4	107-4303	2	HYD Cylinder ASM	23	3253-7	6	Washer-Lock
5	256-304	4	Washer-Thrust	24	104-3595	4	Spacer-Switch
6	104-8300	2	Nut-HF, NI	25	104-0758	2	Sensor-Ferrous
7	115-5468	2	Pivot Hub ASM	26	105-0792	2	Plate-Sensing
7:1	115-5469	2	Bushing-Flange	27	3296-42	4	Nut-Lock, NI
7:2	114-5680	2	Bushing-Flange	28	3256-60	4	Washer-Flat
7:3	302-60	1	Fitting-Grease	29	3274-65	4	Screw-HSBH
8	100-5582	2	Shaft-Pivot, Lift Arm	30	3256-23	4	Washer-Plain
9	106-2008	2	Washer-Thrust	31	3230-16	4	Screw-CARR
10	325-5	8	Screw-HH	32	340-77	4	Fitting-Elbow, 90 DEG
11	32121-9	2	Pin-Roll, Slotted	32:1	237-22	1	O-Ring
12	104-3537	2	Pin-Cylinder	32:2	237-42	1	O-Ring
13	3269-11	4	Rivet-Pop	33	3296-29	4	Nut-Lock, NI
14	86-5350	2	Bumper-Rubber	34	3290-379	1	Tie-Cable
15	32121-110	2	Pin-Roll, Slotted				



## Hydraulic Cylinder Assembly No. 107-4303

Ref.	Part Number	Qty.	Description
1	107-0249	1	Seal Kit
1:1		1	Wiper ●
1:2		1	Ring-Retaining ●
1:3		1	Ring-Retaining ●
1:4		1	Back-Up ●
1:5		1	Seal ●
1:6		1	Ring-Retaining ●
1:7		1	Seal ●
1:8		1	Wear Ring ●
2		1	Barrel ASM ●
3		1	Locknut ●
4		1	Piston ●
5		1	Ring, Retaining ●
6		1	Head ●
7		1	Rod ASM ●
8	104-4281	2	Bushing

● Not serviced separately

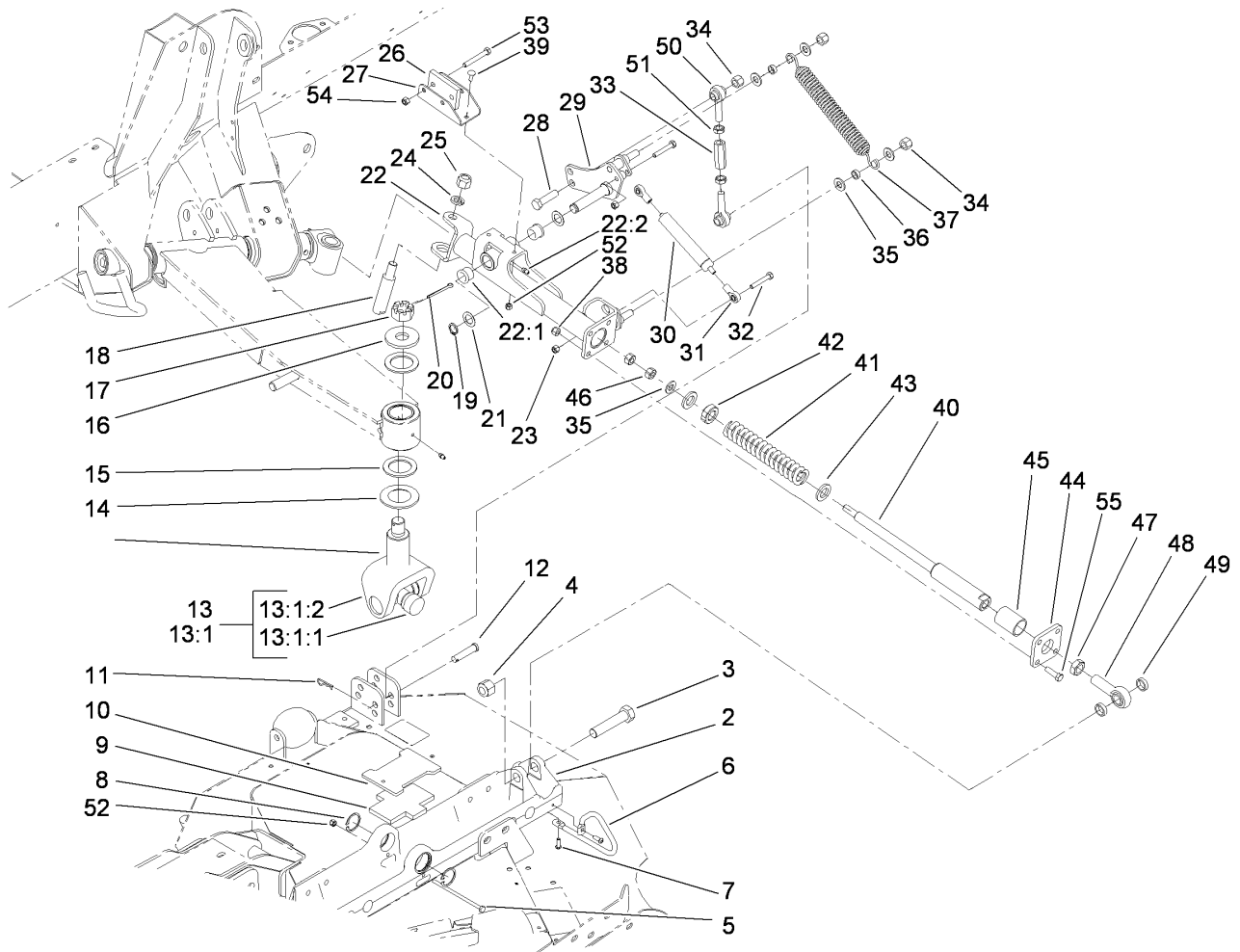


## Side Deck Lift Arm and Damper Assembly

Ref.	Part Number	Qty.	Description	Ref.	Part Number	Qty.	Description
2	107-4348-03	1	Mount-Deck, RH ●	22	108-1473	1	LH Rear Arm ASM
2	107-4349-03	1	Mount-Deck, LH	22:1	256-113	2	Bushing-Flange
3	328-5	2	Screw-HH	22:2	302-5	1	Fitting-Grease
4	3296-51	2	Nut-Lock, NI	23	3296-29	4	Nut-Lock, NI
5	321-47	2	Screw-HH	24	3253-8	2	Washer-Lock
6	108-1529	2	Support-Hose	25	3296-53	2	Nut-Lock, NI
7	3274-69	4	Screw-HSBH	26	69-9290	10	Pad-Bumper
8	32120-42	4	Ring-Retaining	27	105-4556-03	2	Bracket-Bumper
9	104-8348	2	Plate-Rubber	28	325-8	2	Screw-HH
10	108-1528-03	2	Plate	29	108-1476-03	1	Bell Crank-LH
11	3290-467	2	Pin-Hair	29	108-1475-03	1	Bell Crank-RH
12	92-2739	2	Pin-Clevis	30	105-3249	2	Damper
13	104-0705-03	2	Yoke-Joint	31	104-8331	4	End-Rod, Spherical
13:1		1	Yoke-Joint ■	32	322-10	4	Screw-HH
13:1:1	104-4299	1	Cross And Bearing Kit	33	105-2809	2	Tube-Link
13:1:2		1	Yoke ■	34	3296-23	6	Nut-Lock, NI
14	104-0720	2	Spacer	35	3256-26	10	Washer-Flat
15	104-0721	4	Washer-Thrust	36	104-7521	4	Bushing
16	104-0719	2	Washer-Hardened	37	104-7520	2	Spring-Damper
17	32136-11	2	Nut-Hex, Slot	38	3296-39	8	Nut-Lock, NI
18	104-2281	2	Shaft-Pivot	39	3229-25	4	Screw-CARR
19	32120-93	2	Ring-Retaining	40	105-4548	2	Shaft-Spring
20	3272-25	2	Pin-Cotter	41	100-8138	2	Spring-Compression
21	3-6498	4	Washer-Thrust	42	105-4552	2	Bearing-Plastic
22	108-1471	1	RH Rear Arm ASM	43	105-4551	4	Washer-Flat

● Not illustrated

■ Not serviced separately

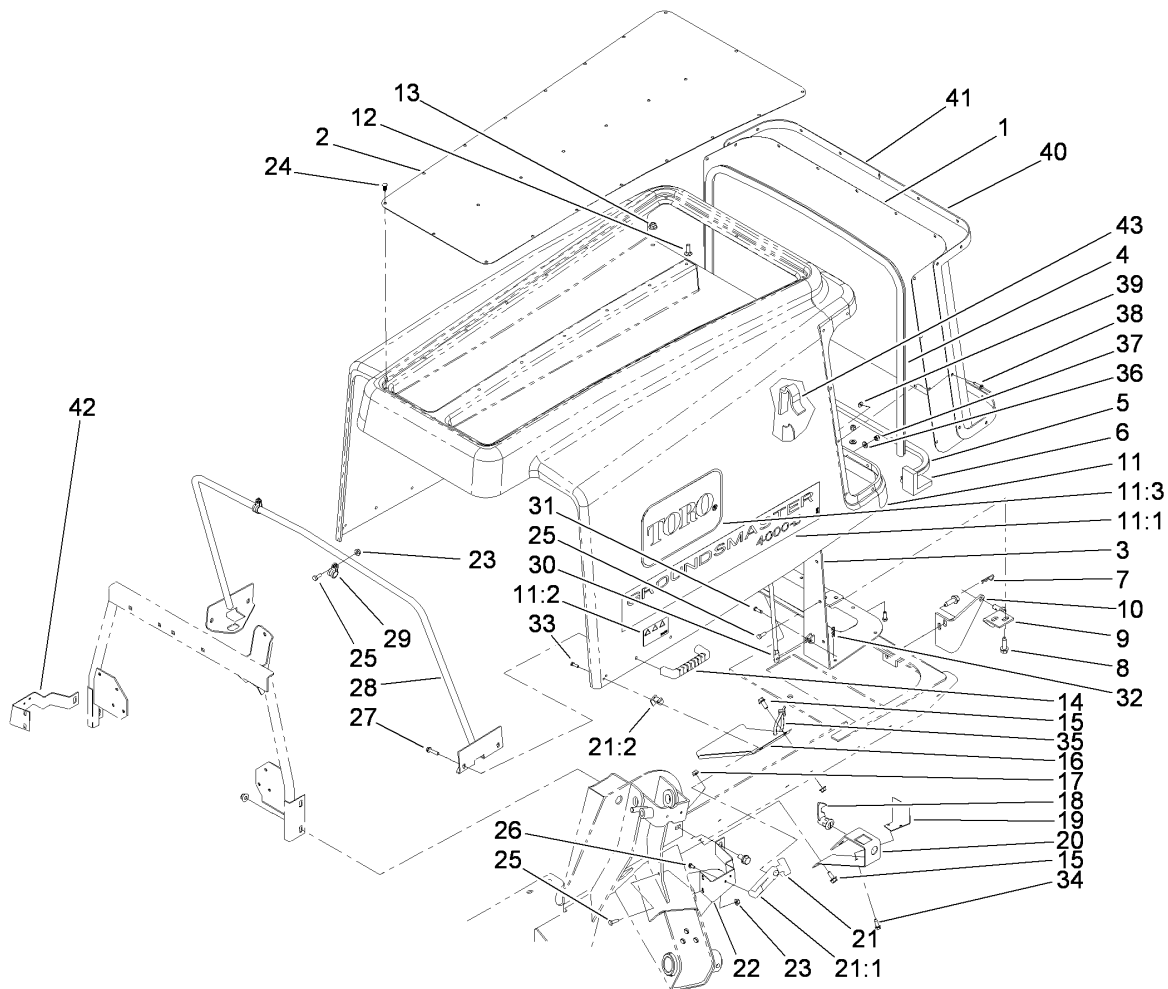


## Side Deck Lift Arm and Damper Assembly (continued)

Ref.	Part Number	Qty.	Description	Ref.	Part Number	Qty.	Description
44	105-2807-03	2	Plate	50	105-2808	4	End-Rod
45	105-4550	2	Bushing-Straight	51	3220-5	4	Nut-Jam
46	3217-9	4	Nut-HH	52	3296-42	6	Nut-Lock, NI
47	3220-7	2	Nut-Jam	53	322-12	4	Screw-HH
48	105-2806	2	End-Rod	54	3296-29	4	Nut-Lock, NI
49	105-0756	4	Spacer	55	323-7	8	Screw-HH

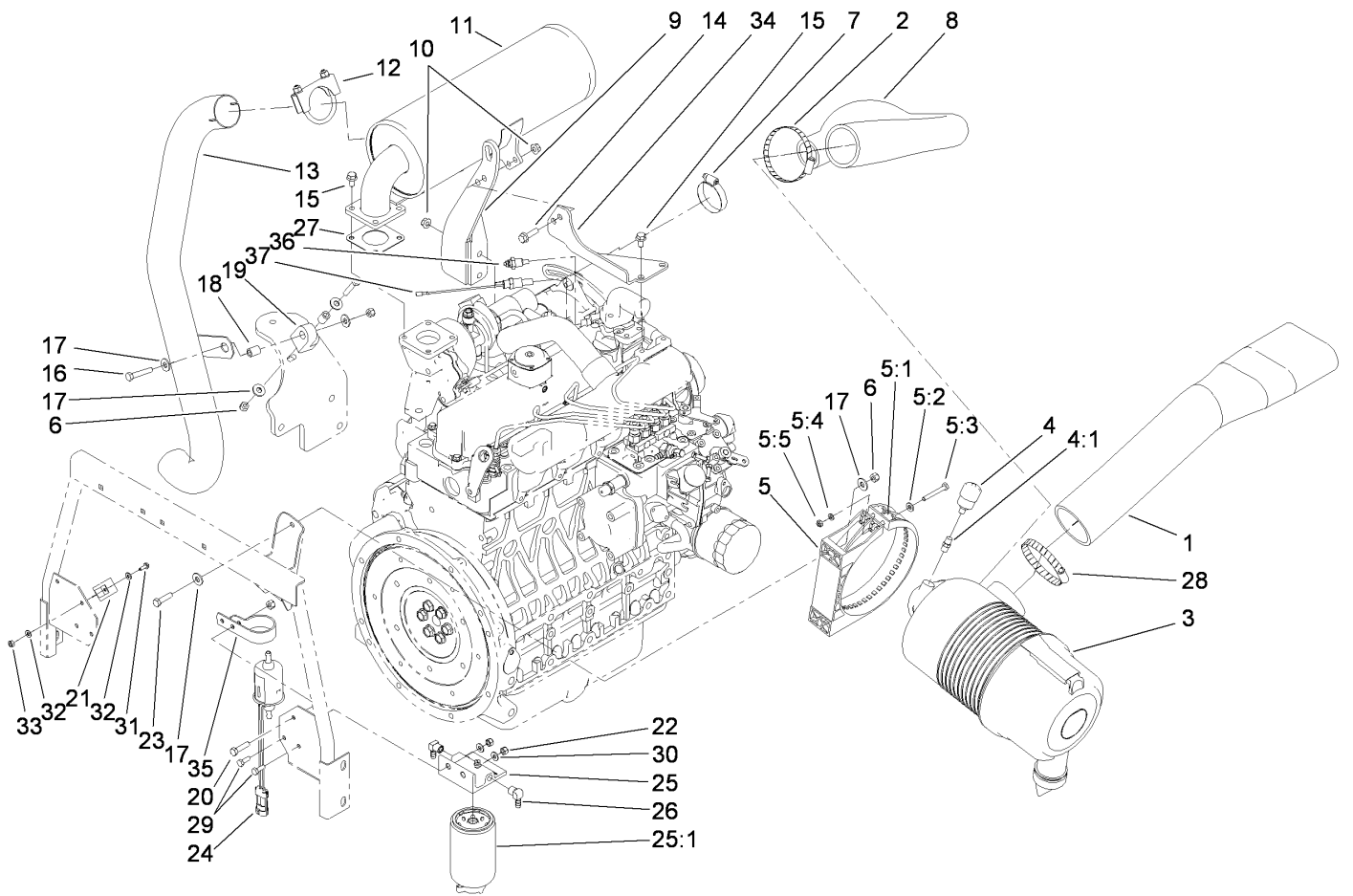
● Not illustrated

■ Not serviced separately



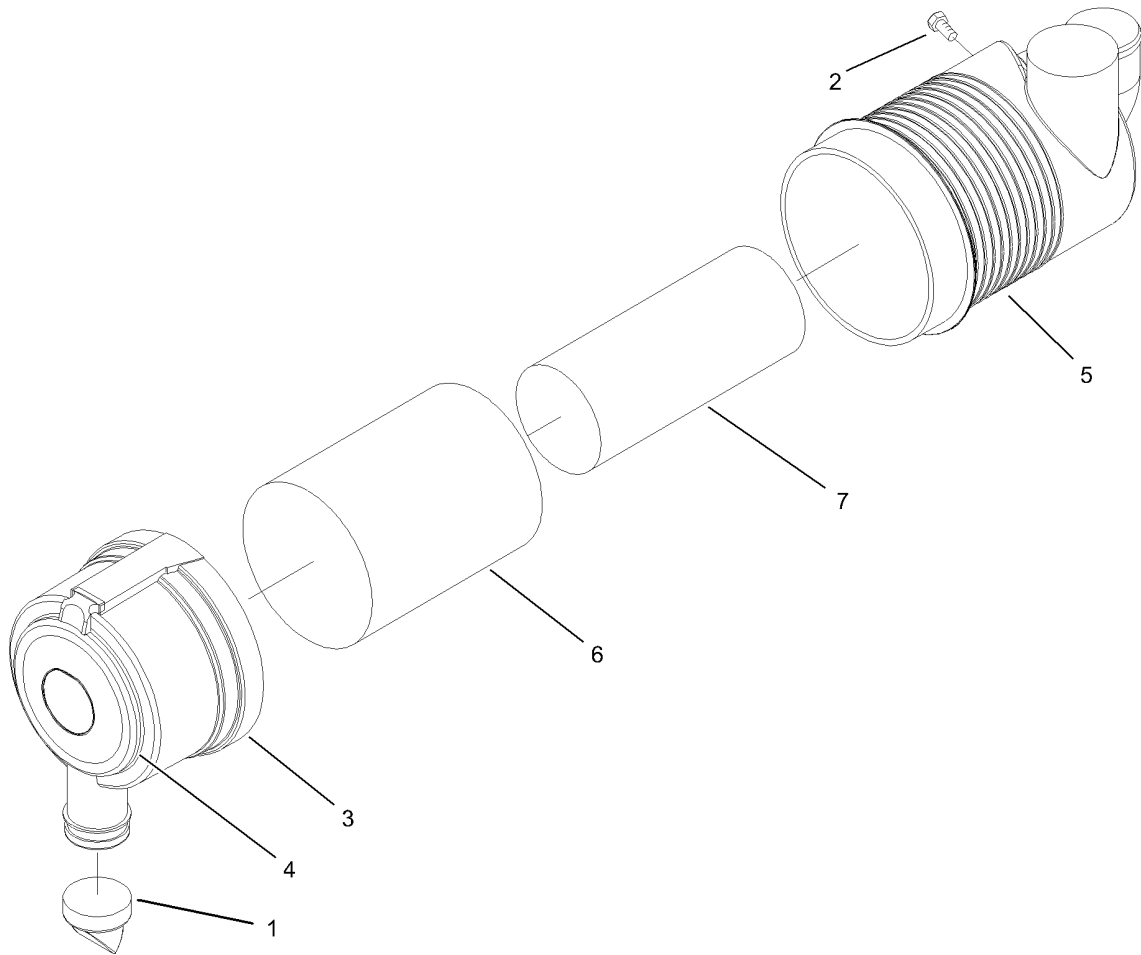
## Hood and Screen Assembly

Ref.	Part Number	Qty.	Description	Ref.	Part Number	Qty.	Description
1	114-3844-03	1	Screen-Rear	21:1	103-4080	1	Latch-Rubber
2	114-3845-03	1	Screen-Top	21:2	103-4081	1	Latch-Keeper
3	114-3824-03	1	Screen ASM	22	104-2253-03	1	Bracket-Latch, LH
4	114-3823	1	Seal-Bulb	23	32128-33	6	Nut-HF
5	104-3590	1	Seal-Bulb	24	114-4899	24	Plug-Plastic
6	104-3580	2	Seal-Corner, Screen	25	321-4	26	Screw-HH
7	3290-467	2	Pin-Hair	26	32144-1	4	Screw-Taptite
8	32144-109	8	Screw-Thd Form HWH	27	46-8092	4	Screw-Plastite
9	104-3589	2	Pivot-Screen	28	104-3505-03	1	Support-Hood
10	104-3588-03	2	Pivot-Screen	29	2412-134	2	Clamp-R
11	114-3815	1	Hood ASM	30	104-8313	2	Rod-Hood
11:1	106-2045	2	Decal-Hood	31	283-67	2	Pin-Clevis
11:2	106-6754	1	Decal-Danger	32	3290-307	2	Pin-Cotter
11:3	66-1210	2	Decal	33	32104-4	2	Screw
12	3230-2	2	Bolt-CARR	34	32104-95	2	Screw-HWH
13	104-8300	2	Nut-HF, NI	35	3290-378	1	Tie-Cable
14	65-5100	2	Handle-Door	36	3256-22	20	Washer-Flat
15	3234-5	4	Screw-HHF	37	3296-42	20	Nut-Lock, NI
16	104-3560-03	1	Deflector-Filter, Oil	38	3269-28	22	Rivet-Pop
17	32128-20	4	Nut-HF	39	3269-26	22	Washer-Plain
18	98-5398	1	Latch	40	115-3759-03	1	Mount-Screen, RH
19	105-4531	1	Cover-Latch	41	115-3758-03	1	Mount-Screen, LH
20	104-3591-03	1	Bracket-Latch, Hood	42	104-2255-03	1	Bracket-Latch, RH
21	94-5626	2	Flexible Draw Latch ASM	43	115-8479	2	Seal-Foam



## Air Cleaner and Muffler Assembly

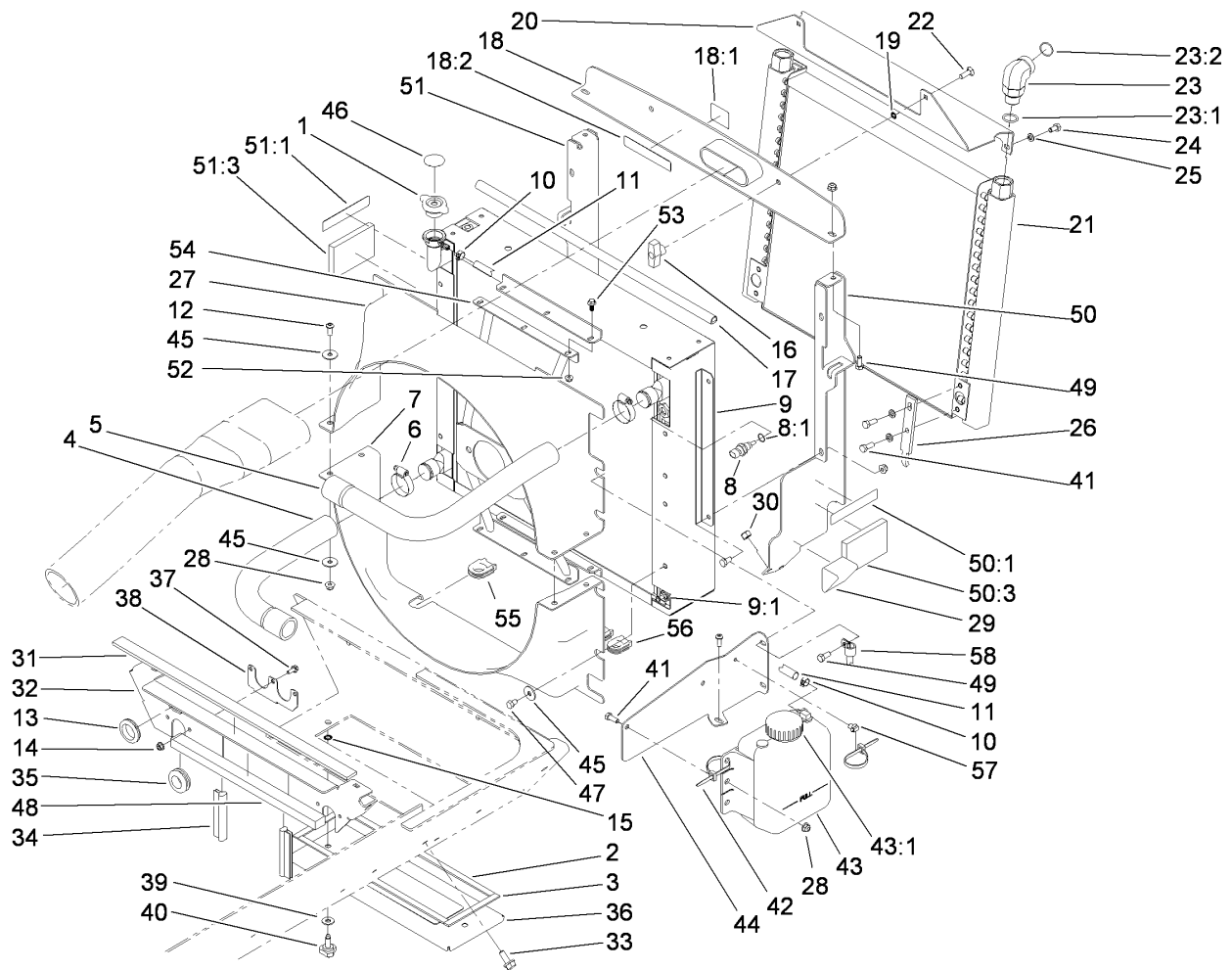
Ref.	Part Number	Qty.	Description	Ref.	Part Number	Qty.	Description
1	114-3846	1	Hose-Air Cleaner	17	3256-3	8	Washer-Flat
2	2412-110	1	Clamp-Band/Screw	18	93-5023	2	Spacer
3	99-5410	1	Air Cleaner ASM	19	95-5622	1	Hanger-Rubber
4	104-3563	1	Indicator	20	321-8	1	Screw-HH
4:1	94-1416	1	Adapter-Indicator	21	99-7435	1	Relay
5	99-5414	1	Strap-Cleaner, Air	22	3296-42	3	Nut-Lock, NI
5:1	108-1512	2	Spring	23	322-6	2	Screw-HH
5:2	3256-22	2	Washer-Flat	24	110-8806	1	Pump-Fuel
5:3	33113-050	2	Screw-HH	25	110-9044	1	Separator-Filter
5:4	33093-00	2	Washer-Flat	25:1	110-9049	1	Filter-Spin On
5:5	33023-00	2	Nut-Lock	26	353-781	2	Fitting-HYD, 90
6	3296-29	4	Nut-Lock, NI	27	100-9333	1	Gasket-Muffler
7	2412-92	1	Clamp-Hose	28	2412-125	1	Clamp-Hose
8	114-3838	1	Hose-Air Cleaner	29	321-4	2	Screw-HH
9	114-9781-03	1	Mount-Exhaust	30	3256-22	2	Washer-Flat
10	33004-00	4	Nut-HF	31	32105-2	1	Screw-SHWH
11	114-3849	1	Muffler-Turbo	32	3256-14	2	Washer-Flat
12	49-2580	1	Clamp-Muffler	33	3296-2	1	Nut-Lock, NI
13	114-9774	1	Pipe-Exhaust	34	112-9113-03	1	Mount-Exhaust
14	33104-030	2	Screw-HHF	35	110-8817	1	Bracket-Pump, Fuel
15	33104-016	6	Screw-HHF	36	98-9346	1	Sender-Temperature
16	322-9	2	Screw-HH	37	112-6347	1	Switch-Temp, Dual



## Air Cleaner Assembly No. 99-5410

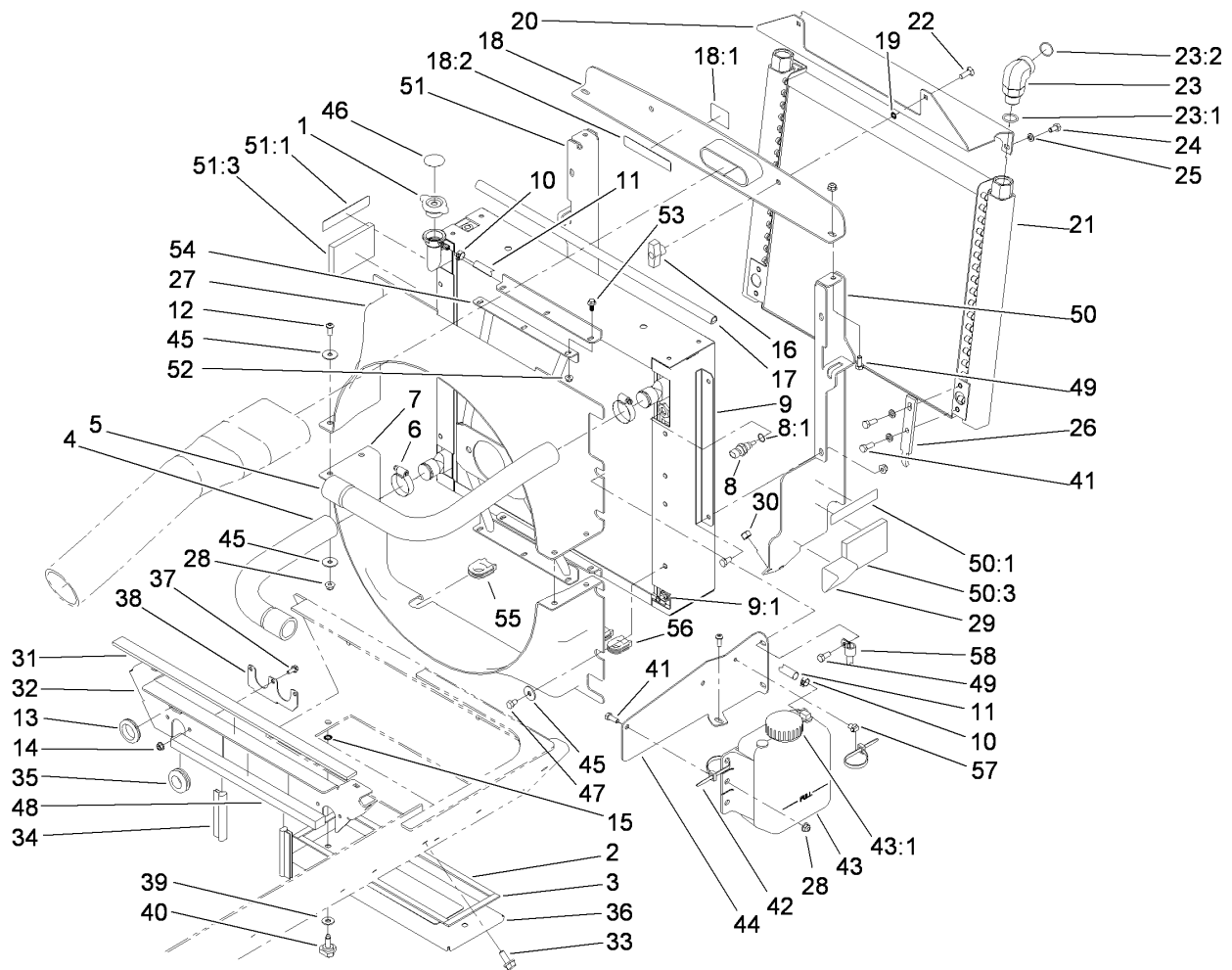
<i>Ref.</i>	<i>Part Number</i>	<i>Qty.</i>	<i>Description</i>
1	104-4258	1	Valve-Vacuator
2		1	Plug-Pipe ●
3	104-4259	1	Cover
4		1	Marking ●
5		1	Body ASM ●
6	108-3814	1	Filter-Air
7	108-3816	1	Filter-Air

● Not serviced separately



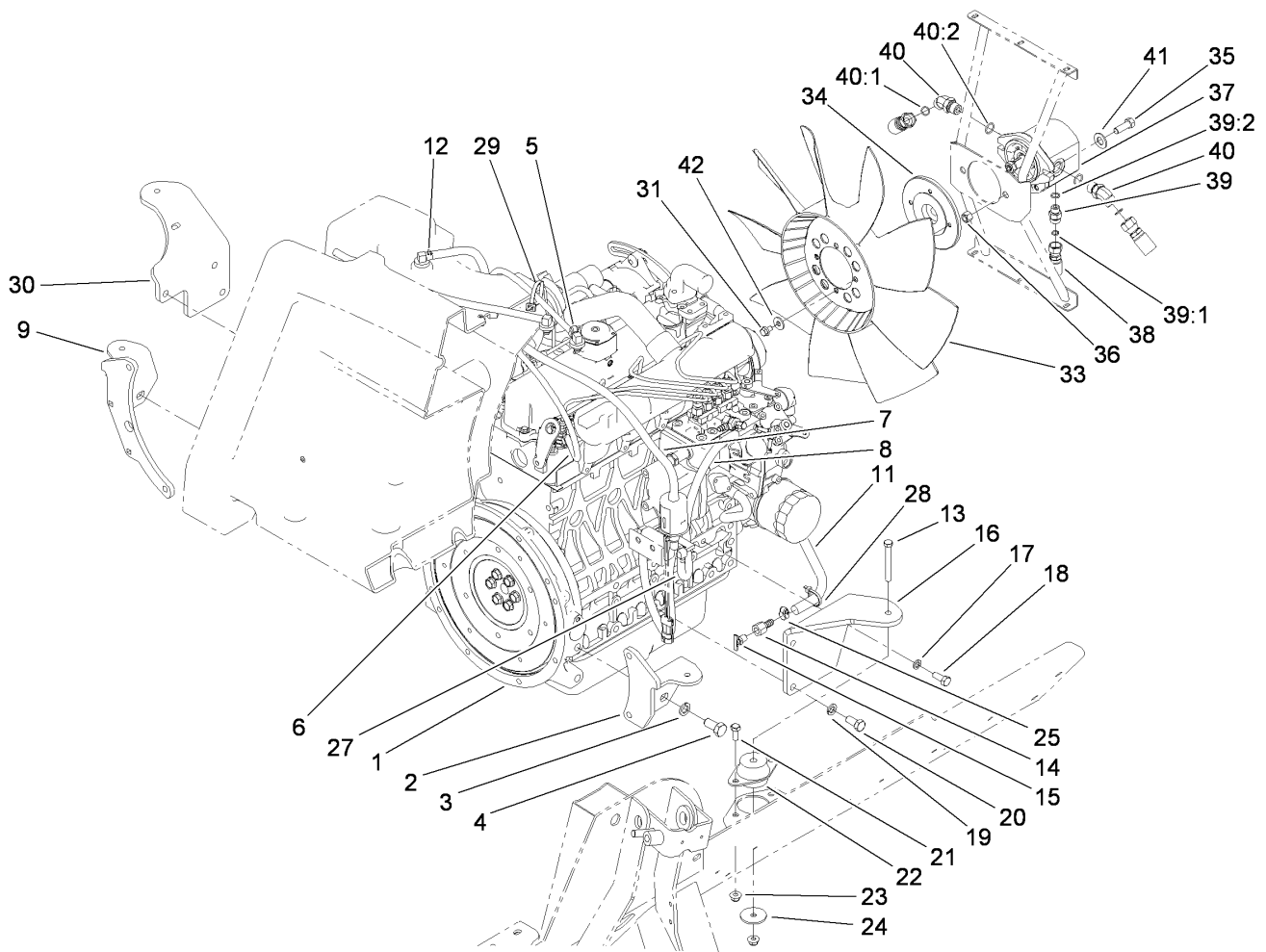
## Radiator, Oil Cooler and Support Assembly

Ref.	Part Number	Qty.	Description	Ref.	Part Number	Qty.	Description
1	93-5957	1	Cap-Radiator	23:2	340-65	1	O-Ring
2	105-0777	2	Strip-Foam	24	322-2	6	Screw-HH
3	105-0778	2	Strip-Foam	25	3253-4	6	Washer-Lock
4	114-3832	1	Hose-Radiator, Lower	26	104-5460-03	2	Plate-Mount, Oil Cooler
5	114-3831	1	Hose-Radiator, Upper	27	114-3816	1	Shroud-Radiator, Upper
6	2412-111	4	Clamp	28	104-8300	10	Nut-HF, NI
7	114-3834	1	Shroud-Radiator, Lower	29	93-5954	2	Plug-Foam
8	110-8829	1	Sender-Temperature	30	3296-39	6	Nut-Lock, NI
8:1	237-42	1	O-Ring	31	104-2226	1	Strip-Foam
9	114-3833	1	Radiator	32	114-9763-03	1	Bracket-Base
9:1	304-46	1	Draincock	33	3234-24	6	Screw-HHF
10	92-2379	3	Clamp-Hose	34	104-2224	2	Seal-Bulb
11	109-0277	2	Hose-Fuel	35	237-165	2	Grommet
12	3274-55	4	Screw-HSBH	36	110-6157-03	1	Cover
13	240-3	1	Grommet-Rubber	37	3234-33	4	Screw-HHF
14	32128-33	4	Nut-HF	38	106-6773-03	2	Plate
15	32151-72	2	Ring-Retaining	39	3256-3	2	Washer-Flat
16	98-7134	2	Knob-Handle	40	95-9648	2	Knob
17	114-3828	1	Seal-Bulb	41	322-4	6	Screw-HH
18	114-3813	1	Radiator Top Support ASM	42	3290-378	1	Tie-Cable
18:1	93-7275	1	Decal-Fluid, Starting	43	104-2276	1	Reservoir-Coolant
18:2	93-7272	1	Decal-Warning	43:1	87-7050	1	Cap-Reservoir
19	104-8310	2	Ring-Retaining	44	114-3801-03	1	Bracket-Tank
20	114-3806-03	1	Bracket-Oil Cooler	45	3256-82	10	Washer-Flat
21	115-3755	1	Cooler-Oil	46	106-6755	1	Decal-Cap, Radiator
22	3230-22	2	Screw-CARR	47	322-1	7	Screw-HH
23	104-3796	2	Fitting-Elbow 90	48	95-4231	1	Foam-Seal, Side Screen
23:1	237-81	1	O-Ring	49	322-3	3	Screw-HH



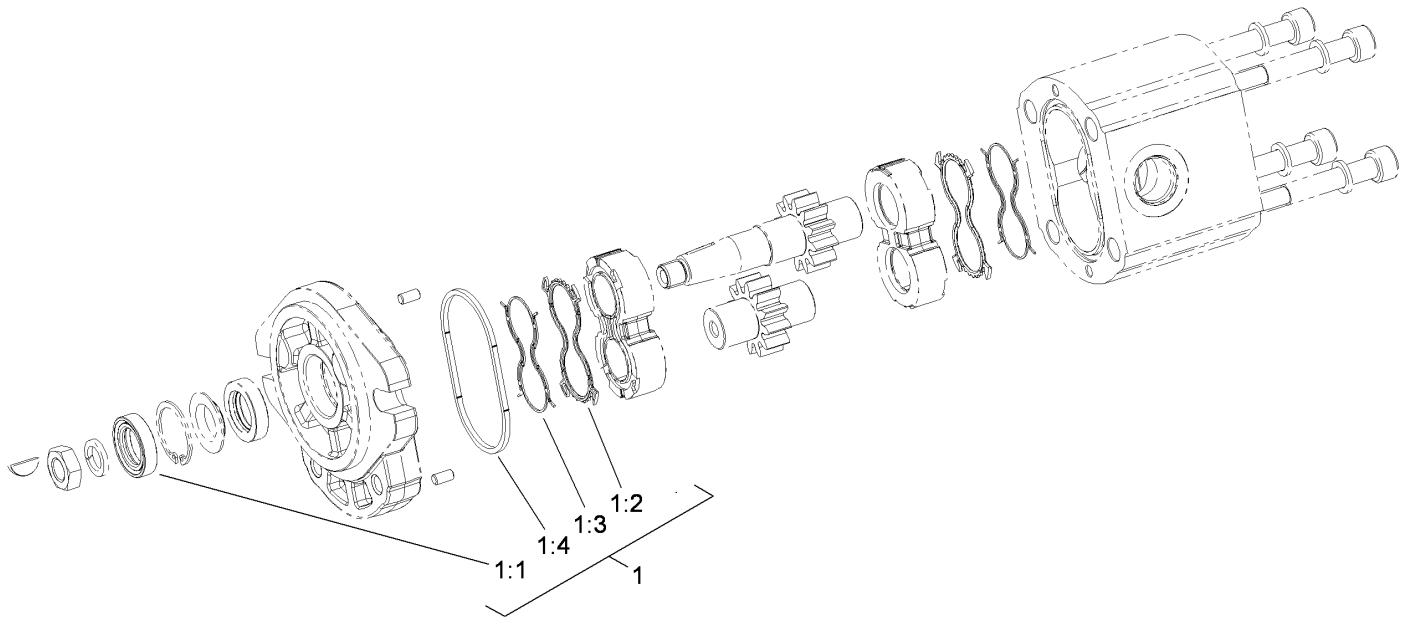
## Radiator, Oil Cooler and Support Assembly (continued)

<i>Ref.</i>	<i>Part Number</i>	<i>Qty.</i>	<i>Description</i>	<i>Ref.</i>	<i>Part Number</i>	<i>Qty.</i>	<i>Description</i>
50	114-3805	1	Radiator LH Support ASM	53	99-6810	6	Screw-HHF
50:1	93-7272	1	Decal-Warning	54	114-9764-03	1	Bracket-Motor, Fan
50:3	100-2196	1	Pad-Foam	55	115-3763	2	Grommet (.800 ID)
51	114-3803	1	Radiator RH Support ASM	56	115-3764	1	Grommet (.680 ID)
51:1	93-7272	1	Decal-Warning	57	32180-030	1	Clip-Tie
51:3	100-2196	1	Pad-Foam	58	92-6064	2	Clamp-R
52	104-7201	6	Nut-HF				



## Engine Mount, Fuel Line and Fan Drive Assembly

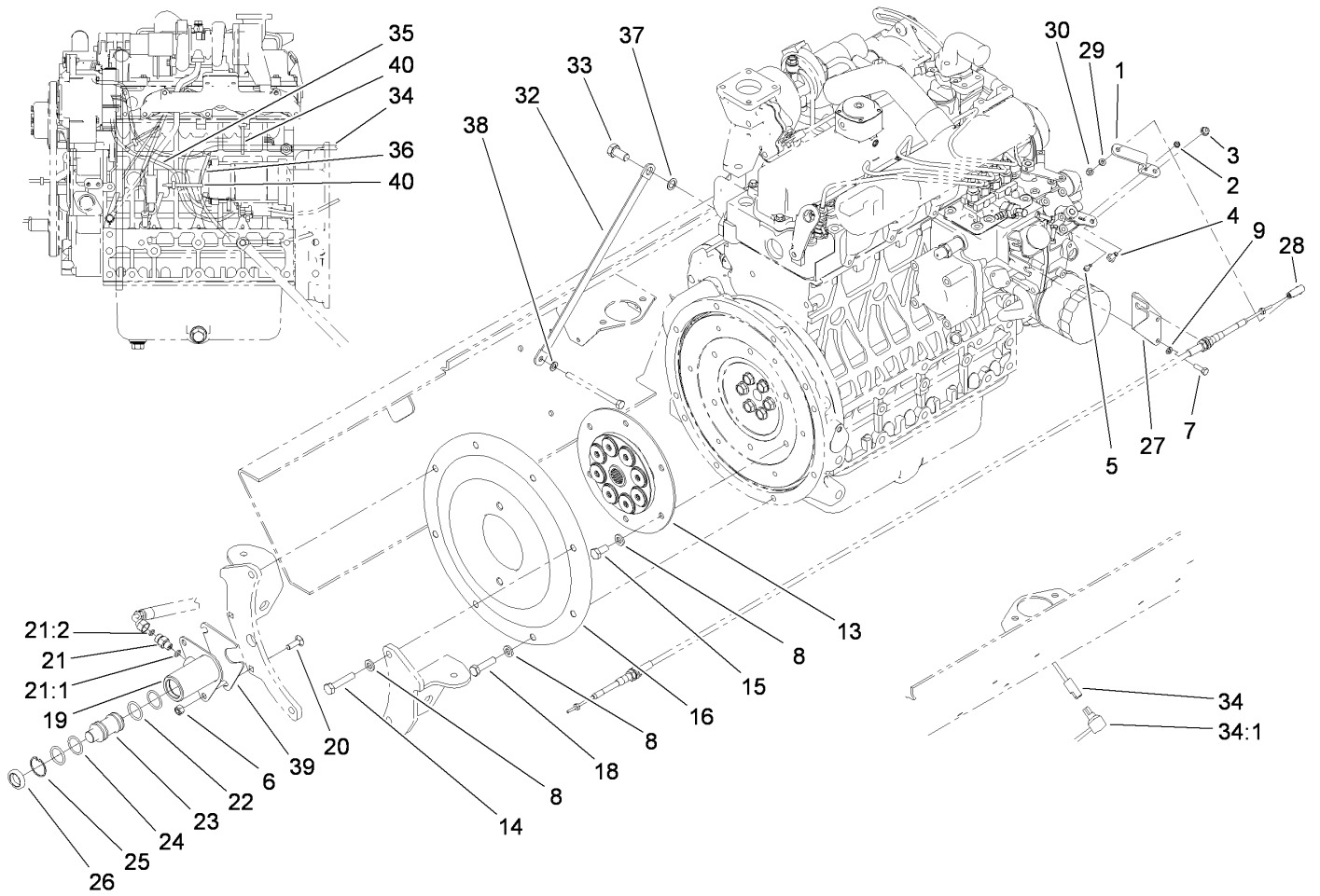
<i>Ref.</i>	<i>Part Number</i>	<i>Qty.</i>	<i>Description</i>	<i>Ref.</i>	<i>Part Number</i>	<i>Qty.</i>	<i>Description</i>
1	114-3800	1	Engine ASM	24	63-7400	4	Washer-Rebound
2	114-3820-03	1	LH Engine Mount ASM	25	2412-108	2	Clamp-Worm
3	43-5950	2	Washer-Lock, Spring	27	109-0274	2	Hose-Fuel
4	43-3210	2	Screw-HH	28	3290-379	1	Tie-Cable
5	2412-108	1	Clamp-Worm	29	3290-378	1	Tie-Cable
6	2412-80	1	Clamp-Hose	30	115-3766-03	1	Mount-Engine, Rear RH
7	110-3257	1	Hose-Fuel	31	115-8486	4	Screw-HH
8	110-3254	1	Hose-Fuel	33	114-3825	1	Fan
9	114-3810-03	1	RH Engine Mount ASM	34	117-2364	1	Hub-Fan
11	99-7376	1	Hose-Breather	35	324-5	2	Screw-HH
12	92-2379	7	Clamp-Hose	36	3296-48	2	Nut-Lock, NI
13	323-14	4	Screw-HH	37	114-9762	1	Motor-Fan Drive
14	354-94	1	Fitting-Female, Barbed	38	115-3756	1	Hose ASM
15	93-5528	1	Fitting-Cock, Drain	39	340-2	1	Fitting-Straight
16	114-3817-03	1	Mount-Engine, LH	39:1	237-22	1	O-Ring
17	48-9590	1	Washer-Lock	39:2	237-42	1	O-Ring
18	43-0090	1	Screw-HH	40	340-101	2	Fitting-HYD, 45 DEG
19	48-8070	5	Washer-Lock	40:1	237-30	1	O-Ring
20	42-9250	5	Bolt	40:2	237-79	1	O-Ring
21	323-5	8	Screw-HH	41	3256-25	2	Washer-Flat
22	53-9682	4	Mount-Engine	42	80-6990	4	Washer-Hardened
23	104-8301	12	Nut-HF, NI				



## Hydraulic Motor Assembly No. 114-9762

<i>Ref.</i>	<i>Part Number</i>	<i>Qty.</i>	<i>Description</i>
1	115-4110	1	Seal Kit
1:1		2	Seal-Shaft ●
1:2		2	Seal-Plate, Balancing ●
1:3		2	Seal-Anti Extrusion ●
1:4		2	O Ring-Housing ●

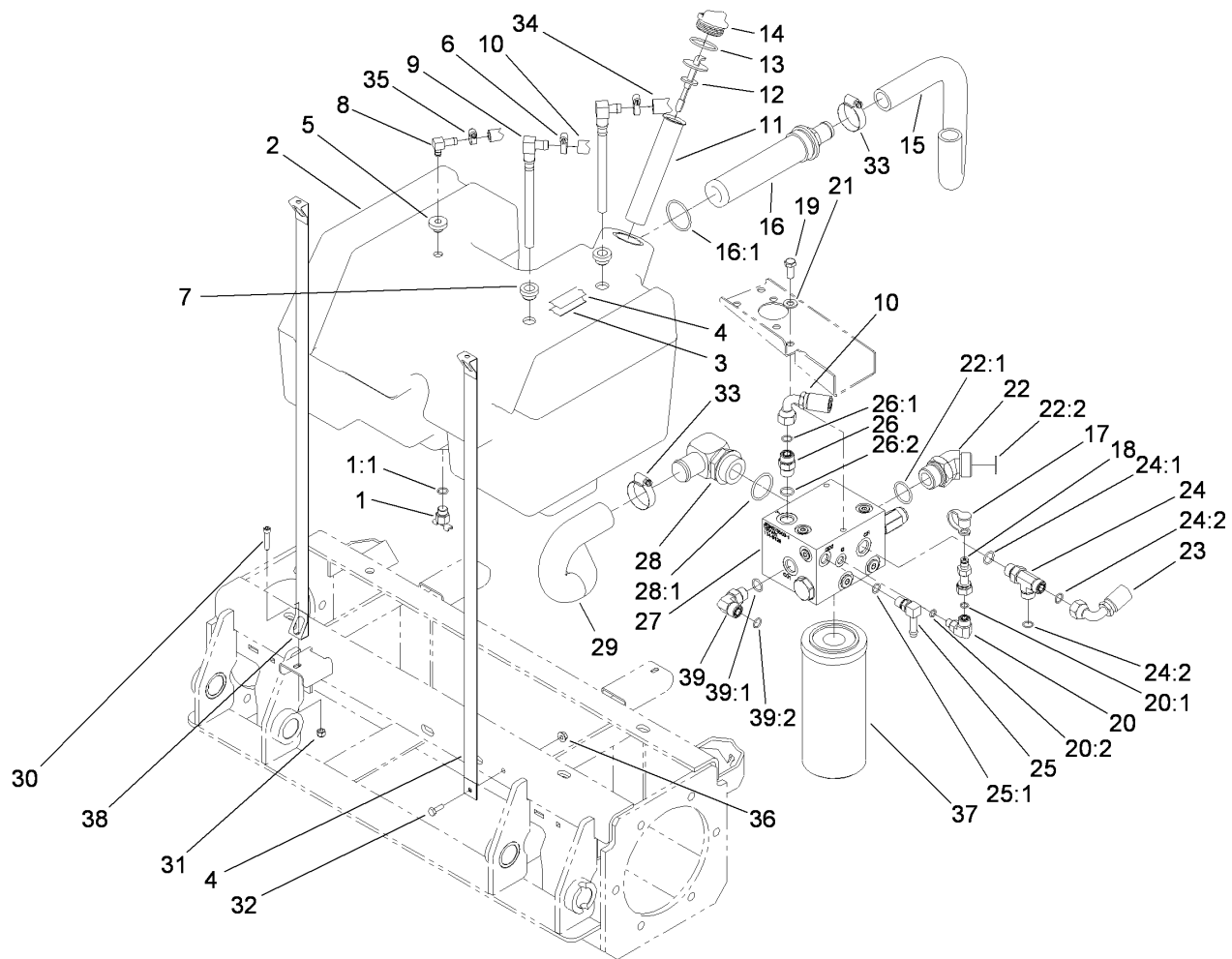
● Not serviced separately



## Flywheel and Throttle Assembly

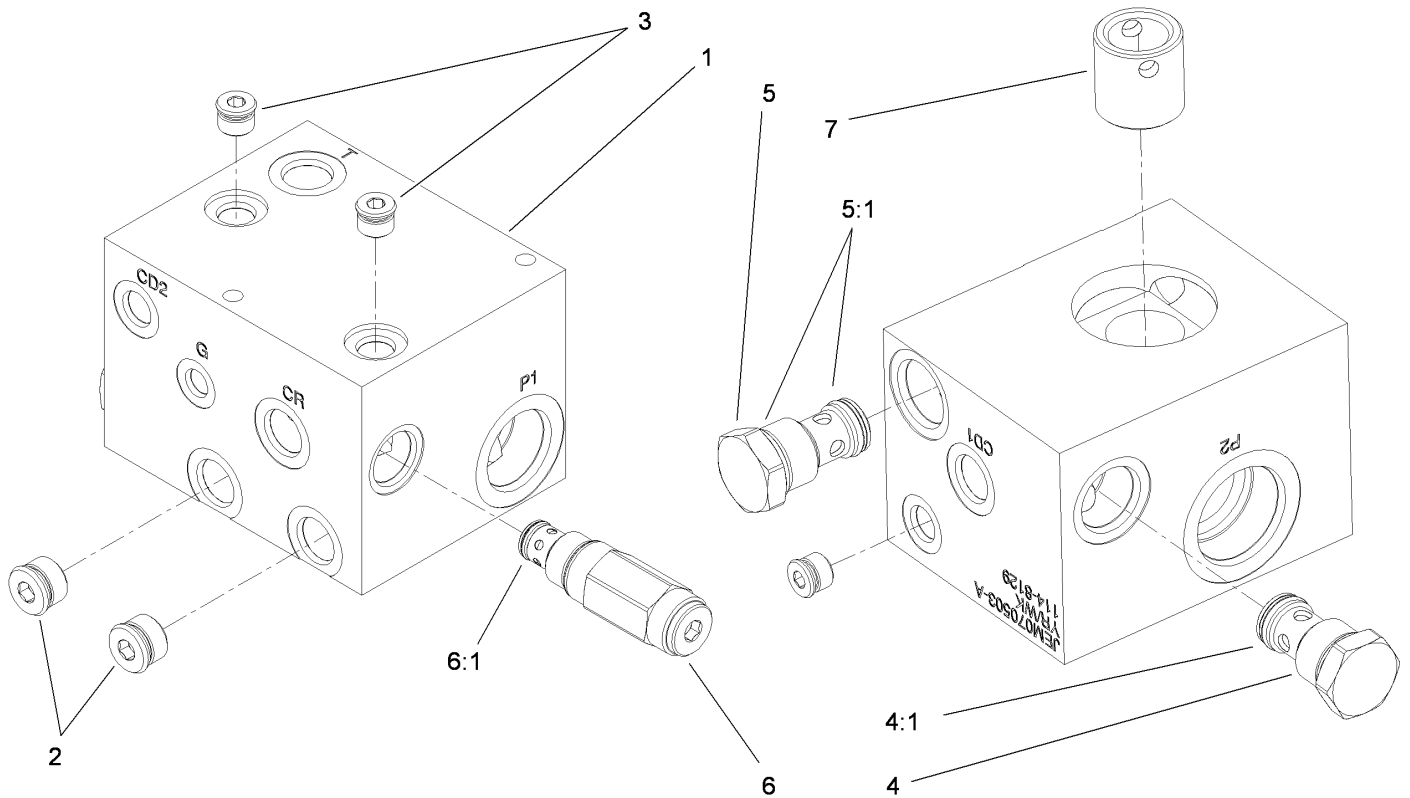
Ref.	Part Number	Qty.	Description	Ref.	Part Number	Qty.	Description
1	114-9785	1	Lever-Throttle	23	104-2295	1	Piston-Cylinder
2	3296-54	1	Nut-Lock	24	104-2296	2	Ring-Back Up
3	104-7201	1	Nut-HF	25	32151-51	1	Ring-Retaining
4	321-3	1	Screw-HH	26	104-8304	1	Seal-Grease
5	112-3169	1	Screw-HHF, Serrated	27	114-9786	1	Support-Cable
6	3296-29	2	Nut-Lock, NI	28	2411-38	1	Joint-Ball
7	33113-020	2	Screw-HH	29	3256-51	1	Washer-Flat
8	107-1413	14	Washer-Hardened	30	3296-21	1	Nut-Hex
9	43-5930	2	Washer-Lock, Spring	32	18-2770	1	Cable-Ground
13	114-3848	1	Coupler-Spring, Flywheel	33	42-9250	1	Bolt
14	115-8490	4	Screw-HH	34	114-9754	1	Harness-Wire
15	99-5130	6	Bolt	34:1	100-4918	3	Diode
16	114-3835	1	Plate-Flywheel	34:2	94-6710	1	Fuse-2 Amp ●
18	115-8489	4	Screw-HHCS	35	100-5552	1	Harness-Wire
19	114-3830	1	Cylinder-Transport	36	99-3441	1	Harness-Wire, Fusible Link
20	112-6950	2	Screw-CARR	37	3255-2	1	Washer-Lock, EXT
21	340-92	1	Fitting-Straight	38	3255-8	1	Washer-Lock
21:1	237-78	1	O-Ring	39	115-3754	2	Shim-Cylinder
21:2	237-21	1	O-Ring	40	3290-378	5	Tie-Cable
22	237-185	2	O-Ring				

● Not illustrated



## Hydraulic Reservoir and Filter Assembly

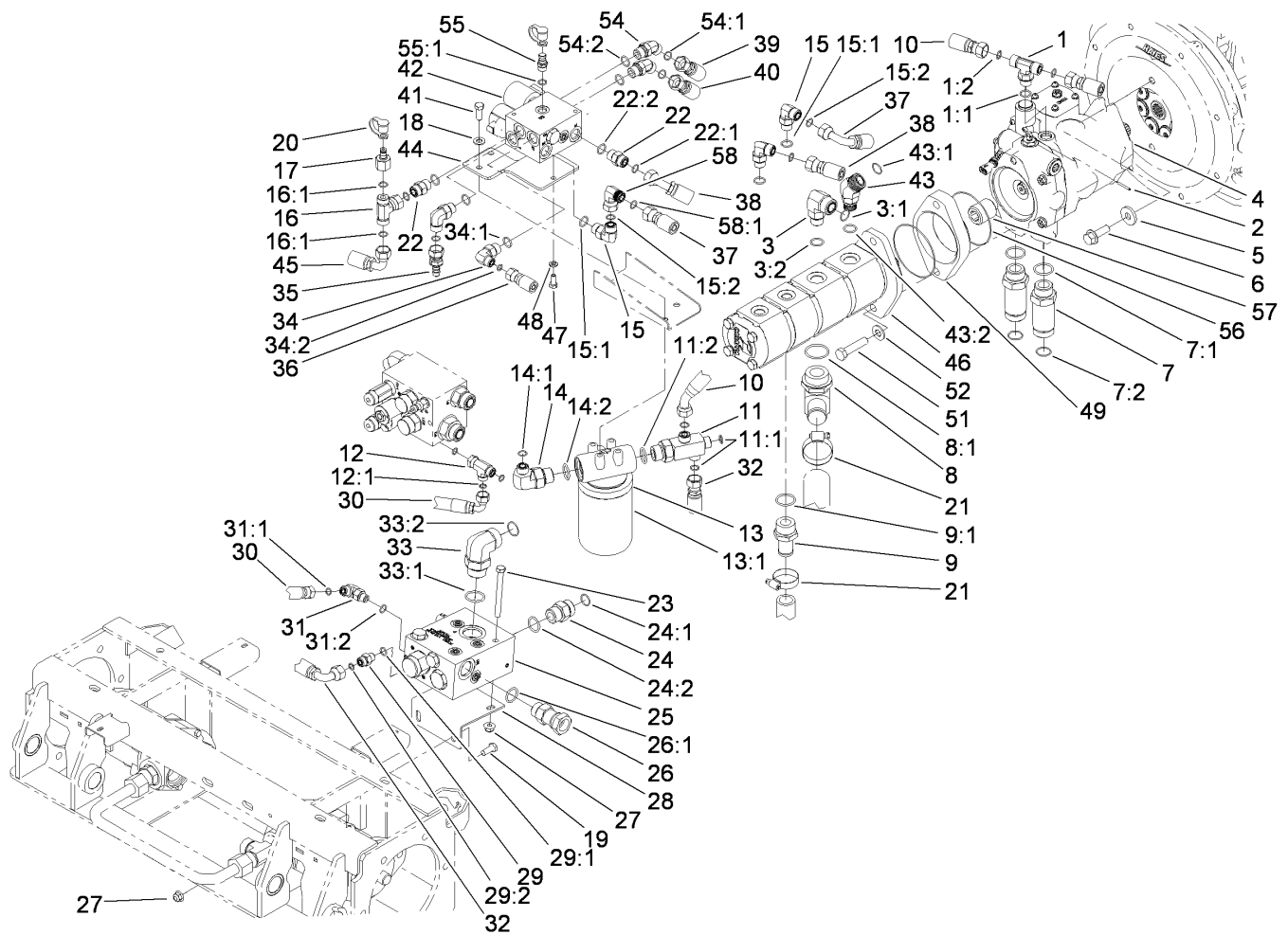
Ref.	Part Number	Qty.	Description	Ref.	Part Number	Qty.	Description
1	104-8334	1	Petcock	22:2	340-65	1	O-Ring
1:1	237-42	1	O-Ring	23	105-7927	1	Hose-HYD
2	114-9773	1	Reservoir-HYD	24	340-109	1	Fitting-Tee
3	93-5273	2	Strap-Felt	24:1	237-79	1	O-Ring
4	104-0794	1	Strap	24:2	237-30	2	O-Ring
5	46-6560	1	Bushing	25	100-4887	1	Fitting-Elbow, 90
6	2412-36	2	Clamp-Hose	25:1	237-42	1	O-Ring
7	104-0790	2	Bushing	26	340-4	1	Fitting-Straight
8	46-6550	1	Fitting-Elbow, 90 DEG	26:1	237-30	1	O-Ring
9	104-0791	2	Pipe-Stand	26:2	237-79	1	O-Ring
10	115-8471	1	Hose ASM	27	114-8129	1	HYD Filter Manifold ASM
11	61-2790	1	Filter-Screen	28	92-7526	1	Fitting-HYD 90 Spcl
12	105-2812	1	Dipstick	28:1	237-101	1	O-Ring
13	94-8166	1	O-Ring	29	115-8454	1	Hose-Filter
14	93-7498	1	Plug-Plastic	30	3274-51	3	Screw-HSH
15	100-5528	1	Hose-Suction	31	3296-42	3	Nut-Lock, NI
16	104-7546	1	Tank Strainer ASM	32	321-4	1	Screw-HH
16:1	340-136	1	O-Ring	33	2412-111	2	Clamp
17	354-79	1	Cap-Dust	34	110-6151	1	Hose
18	86-5480	1	Nipple-Test	35	2412-108	1	Clamp-Worm
19	323-5	3	Screw-HH	36	32128-33	1	Nut-HF
20	340-97	1	Fitting-Elbow, 90 DEG	37	94-2621	1	Element-Filter
20:1	237-22	1	O-Ring	38	114-9783	1	Strap
20:2	237-78	1	O-Ring	39	340-98	1	Fitting-Elbow, 90 DEG
21	3256-24	3	Washer-Flat	39:1	237-79	1	O-Ring
22	104-3509	1	Fitting-HYD, 45 DEG	39:2	237-30	1	O-Ring
22:1	237-146	1	O-Ring				



## Hydraulic Manifold Assembly No. 114-8129

<i>Ref.</i>	<i>Part Number</i>	<i>Qty.</i>	<i>Description</i>
1		1	Manifold Block ●
2		2	Plug ●
3		3	Plug ●
4	110-0468	1	Valve-Check, 5 PSI
4:1	110-0470	1	Seal Kit
5	110-0467	1	Valve-Check, 40 PSI
5:1	110-0470	1	Seal Kit
6	115-4140	1	Valve-Check
6:1	105-9159	1	Seal Kit
7		1	Filter Nipple ●

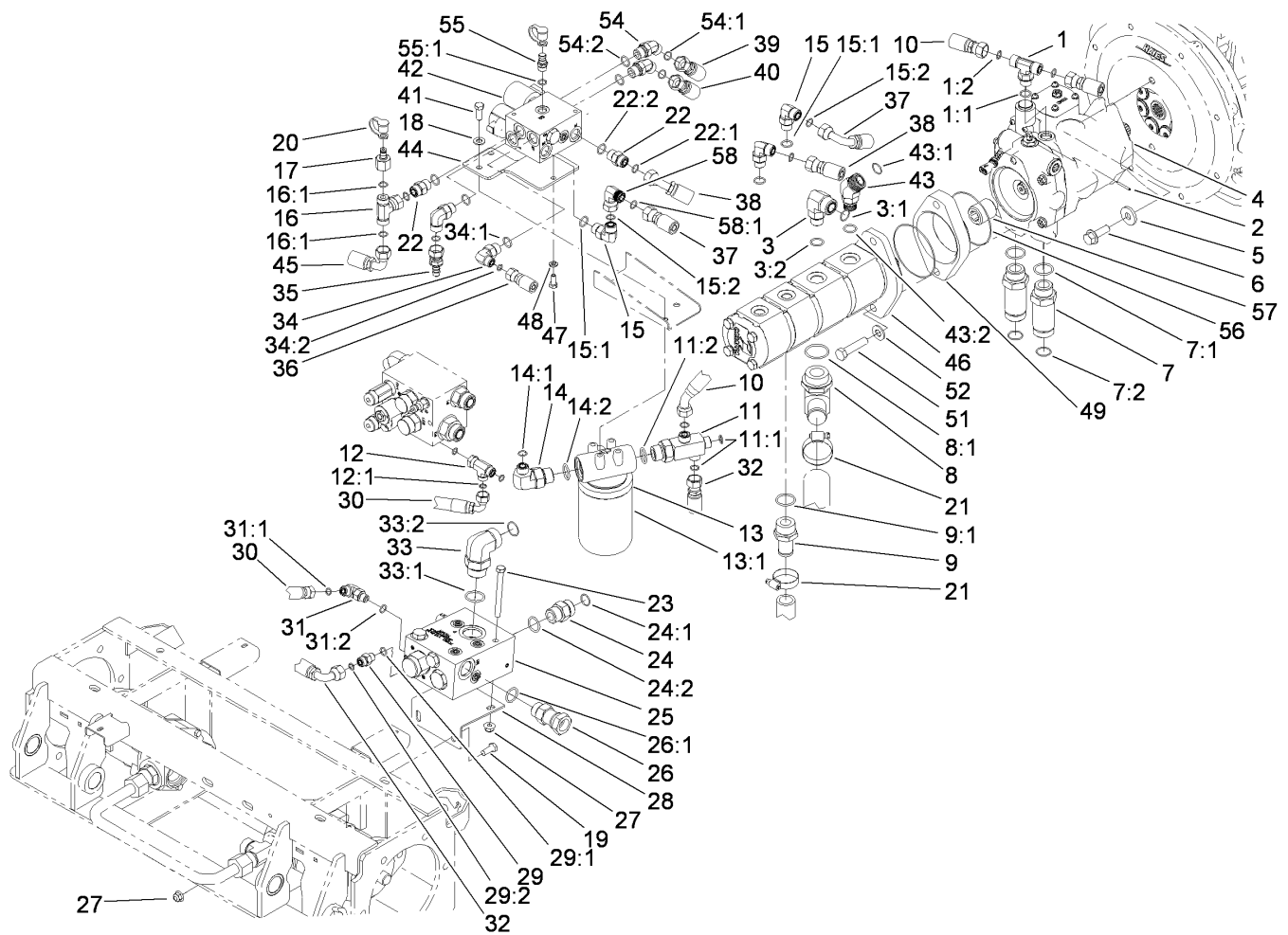
● Not serviced separately



## Pump Installation and Filter Assembly

Ref.	Part Number	Qty.	Description	Ref.	Part Number	Qty.	Description
1	340-157	1	Fitting-HYD, Tee	14	340-131	1	Fitting-HYD, 90 DEG
1:1	237-79	1	O-Ring	14:1	237-30	1	O-Ring
1:2	237-30	2	O-Ring	14:2	237-81	1	O-Ring
2	32121-77	1	Pin-Roll	15	340-98	4	Fitting-Elbow, 90 DEG
3	340-16	1	Fitting-HYD, 90 DEG	15:1	237-79	1	O-Ring
3:1	237-80	1	O-Ring	15:2	237-30	1	O-Ring
3:2	237-58	1	O-Ring	16	93-6810	1	Fitting-Tee
4		1	Pump-Piston ●	16:1	237-30	2	O-Ring
5	110-6147	2	Washer-Flat	17	100-5616	1	Fitting
6	115-8487	2	Screw-HH	18	3256-24	2	Washer-Flat
7	100-5565	2	Fitting-STR	19	323-5	2	Screw-HH
7:1	237-146	1	O-Ring	20	354-79	2	Cap-Dust
7:2	340-65	1	O-Ring	21	2412-111	2	Clamp
8	92-7526	1	Fitting-HYD 90 Spcl	22	340-4	2	Fitting-Straight
8:1	237-101	1	O-Ring	22:1	237-30	1	O-Ring
9	99-3017	1	Fitting	22:2	237-79	1	O-Ring
9:1	237-81	1	O-Ring	23	323-42	1	Screw-HH
10	100-5521	1	Hose ASM	24	340-9	1	Fitting-STR
11	106-4318	1	Fitting	24:1	237-58	1	O-Ring
11:1	237-30	3	O-Ring	24:2	237-81	1	O-Ring
11:2	237-81	1	O-Ring	25	112-9124	1	Traction Manifold ASM
12	340-115	1	Fitting-Tee, Swivel Nut	26	106-2009	1	Fitting-HYD, Swivel
12:1	237-22	2	O-Ring	26:1	237-81	1	O-Ring
13	93-2242	1	Filter-Oil	27	104-8301	3	Nut-HF, NI
13:1	75-1310	1	Filter-HYD	28	105-3232-03	1	Bracket-Valve

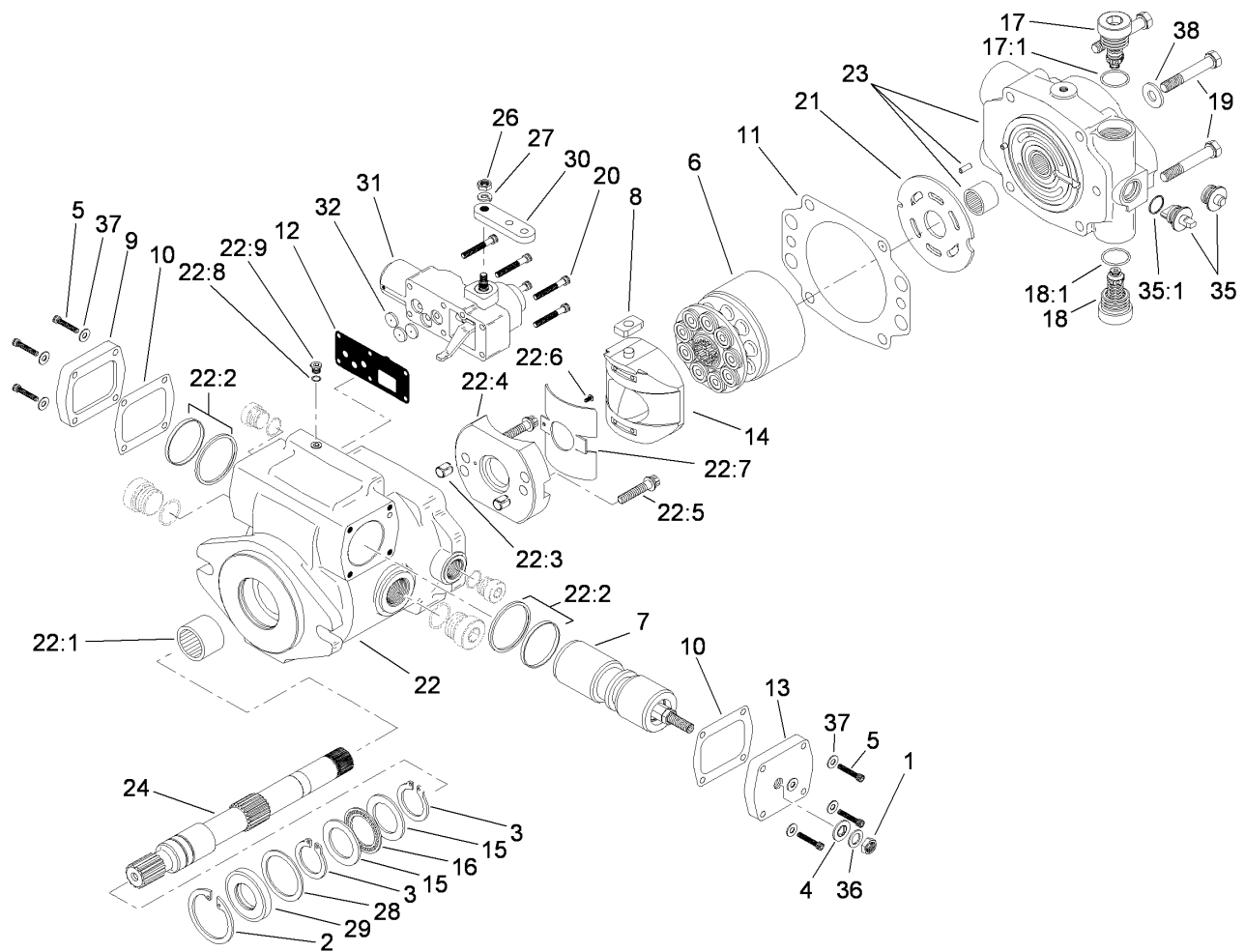
● Not serviced separately



## Pump Installation and Filter Assembly (continued)

Ref.	Part Number	Qty.	Description	Ref.	Part Number	Qty.	Description
29	340-2	1	Fitting-Straight	42	114-3847	1	Fan Drive Manifold ASM
29:1	237-22	1	O-Ring	43	115-3768	1	Fitting-HYD, 45 DEG
29:2	237-42	1	O-Ring	43:1	237-58	1	O-Ring
30	66-8490	1	Hose-HYD	43:2	237-80	1	O-Ring
31	340-77	1	Fitting-Elbow, 90 DEG	44	114-9784-03	1	Mount-Manifold
31:1	237-22	1	O-Ring	45	104-4584	1	Hose-HYD
31:2	237-42	1	O-Ring	46	114-9770	1	Pump ASM
32	110-6106	1	HYD Hose ASM	47	322-3	2	Screw-HH
33	340-129	1	Fitting-Elbow, 90 DEG	48	3253-4	2	Washer-Lock
33:1	237-146	1	O-Ring	49	115-3757	1	Spacer-Pump
33:2	340-65	1	O-Ring	51	115-8488	2	Screw-HH
34	340-18	1	Fitting-HYD, 90 DEG	52	87-7270	2	Washer-Thrust
34:1	237-79	1	O-Ring	54	340-101	2	Fitting-HYD, 45 DEG
34:2	237-22	1	O-Ring	54:1	237-30	1	O-Ring
35	114-9772	1	Hose ASM	54:2	237-79	1	O-Ring
36	69-8440	1	Hose ASM	55	59-7410	1	Fitting-Diagnostic
37	105-3985	1	Hose-HYD	55:1	237-42	1	O-Ring
38	95-3737	1	HYD Hose ASM	56	115-3009	2	O-Ring
39	114-3827	1	Hose ASM	57	115-3011	1	Coupler-Pump
40	114-3822	1	Hose ASM	58	94-6031	1	Fitting-HYD
41	323-6	2	Screw-HH	58:1	237-30	1	O-Ring

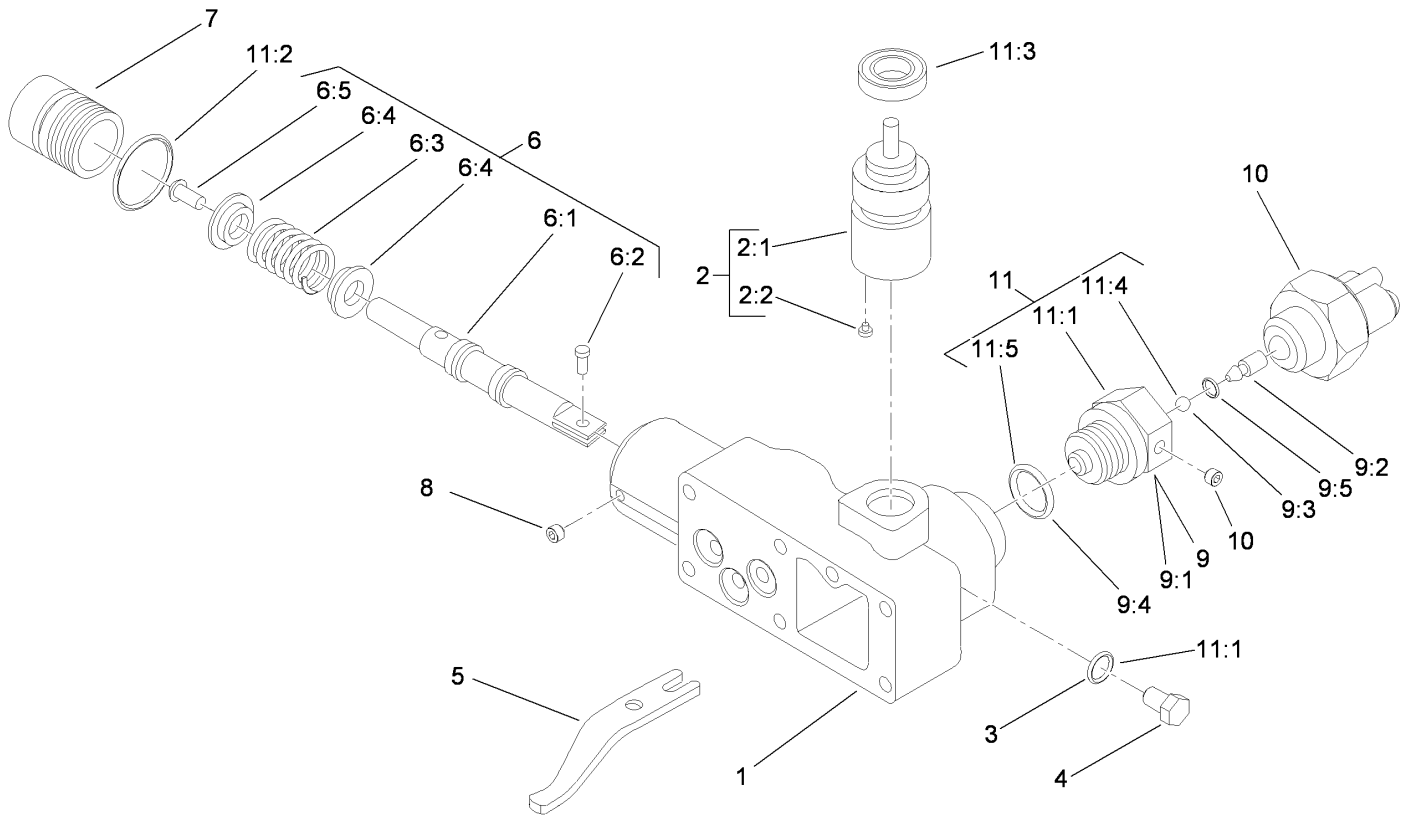
● Not serviced separately



## Piston Pump Assembly No. 114-9769

Ref.	Part Number	Qty.	Description	Ref.	Part Number	Qty.	Description
1	3220-3	1	Nut-HJ	22:1		1	Bearing ●
2	60-6260	1	Ring	22:2		2	Seal ●
3	76-7000	2	Ring-Retaining	22:3		2	Dowel-Bushing ●
4	94-3027	1	Washer-Seal	22:4		1	Cradle ASM ●
5	93-6337	8	Screw	22:5		2	Screw ●
6	99-8701	1	Rotating Kit	22:6		1	Screw ●
7	105-4572	1	Servo Piston ASM	22:7		1	Bushing ●
8	94-3032	1	Follower-Piston	22:8		1	Ring-Retaining ●
9	94-3033	1	Plate-Cover	22:9		1	Plug ●
10	93-6339	2	Gasket	23	115-3007	1	Endcover Sub-Assembly
11	105-2900	1	Gasket-Housing	24	115-3008	1	Shaft-Drive
12	105-2901	1	Gasket-Housing, Control	26	93-6327	1	Nut
13	105-9853	1	Plate-Cover	27	3253-3	1	Washer-Lock
14	94-3026	1	Camplate ASM	28	60-6240	1	Washer
15	76-6950	2	Race-Thrust	29	105-3331	1	Seal-Shaft
16	76-6960	1	Bearing-Thrust	30	105-2862	1	Arm-Control
17	105-2857	1	Valve-Relief	31	115-4446	1	Control-Servo, Manual
17:1		1	Ring-Retaining ●	32	105-2863	3	Orifice
18	105-2858	1	Valve-Relief	35	105-2864	1	Valve-Bypass
18:1		1	Ring-Retaining ●	35:1		1	Ring-Retaining ●
19	323-45	4	Screw-HH	36	94-3030	1	Washer
20	93-6324	6	Screw	37	93-6336	8	Washer
21	99-8704	1	Plate-Valve	38	105-9762	4	Washer
22	105-2859	1	Housing ASM				

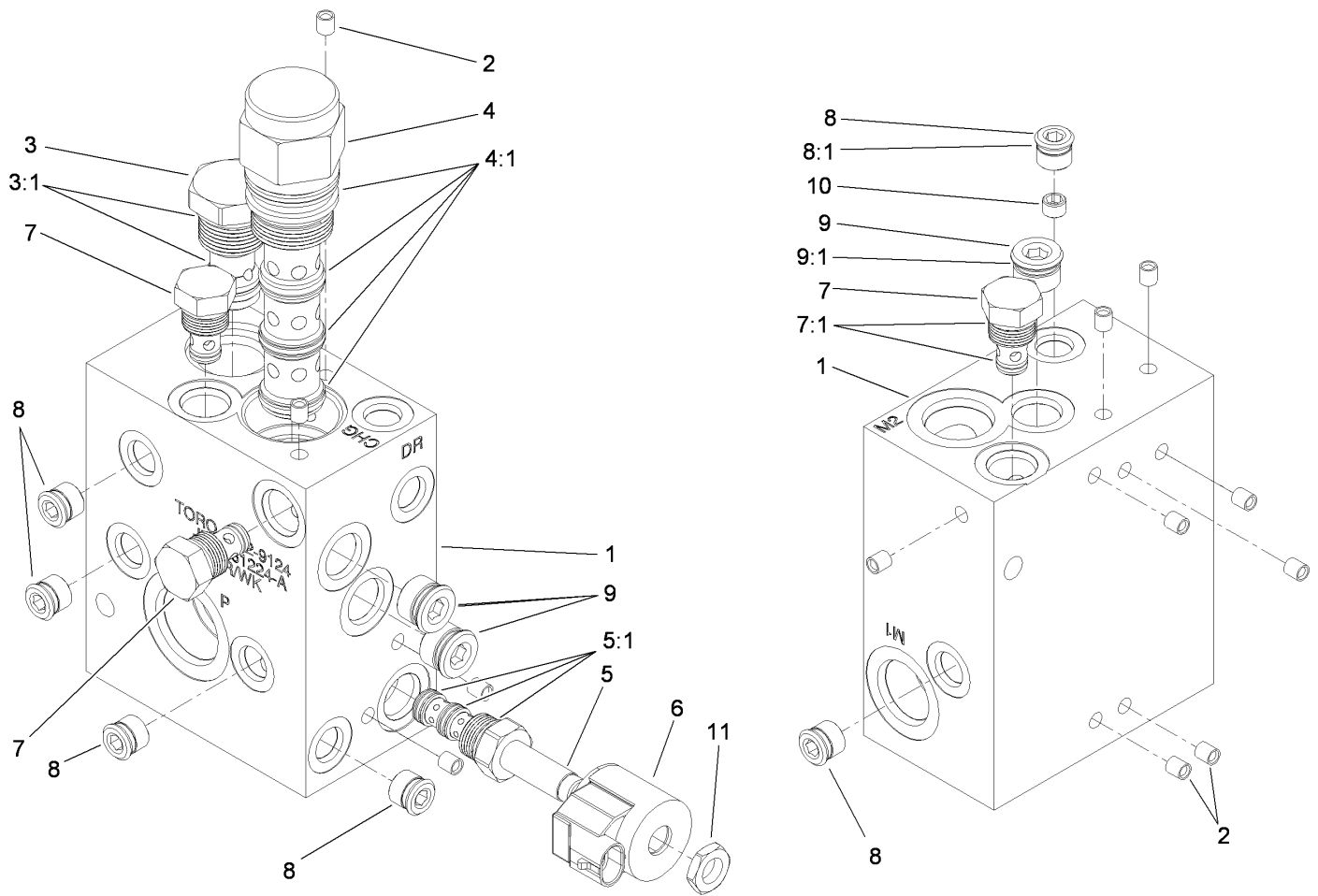
● Not serviced separately



## Control Assembly No. 115-4446

Ref.	Part Number	Qty.	Description	Ref.	Part Number	Qty.	Description
1		1	Housing-Control ●	8		2	Screw-Set ●
2	108-7099	1	Input Control Shaft ASM	9	108-8003	1	Adaptor ASM
2:1		1	Shaft ●	9:1		1	Adaptor-Lockout, Neutral ●
2:2		1	Pin ●	9:2		1	Pin ●
3		1	Ring-Retaining ●	9:3		1	Ball ●
4		1	Plug ●	9:4		1	Ring-Retaining ●
5		1	Link-Feedback ●	9:5		1	Ring-Retaining ●
6	108-7098	1	Valve Spool ASM	10	115-3795	1	Switch-Neutral
6:1		1	Valve-Spool ●	11	94-3044	1	Seal Kit
6:2		1	Pin-Dowel ●	11:1		1	Ring-Retaining ●
6:3		1	Spring ●	11:2		1	Ring-Retaining ●
6:4		2	Retainer ●	11:3		1	Seal-Wiper ●
6:5		1	Screw ●	11:4		1	Ring-Retaining ●
7		1	Plug ●	11:5		1	Ring-Retaining ●

● Not serviced separately



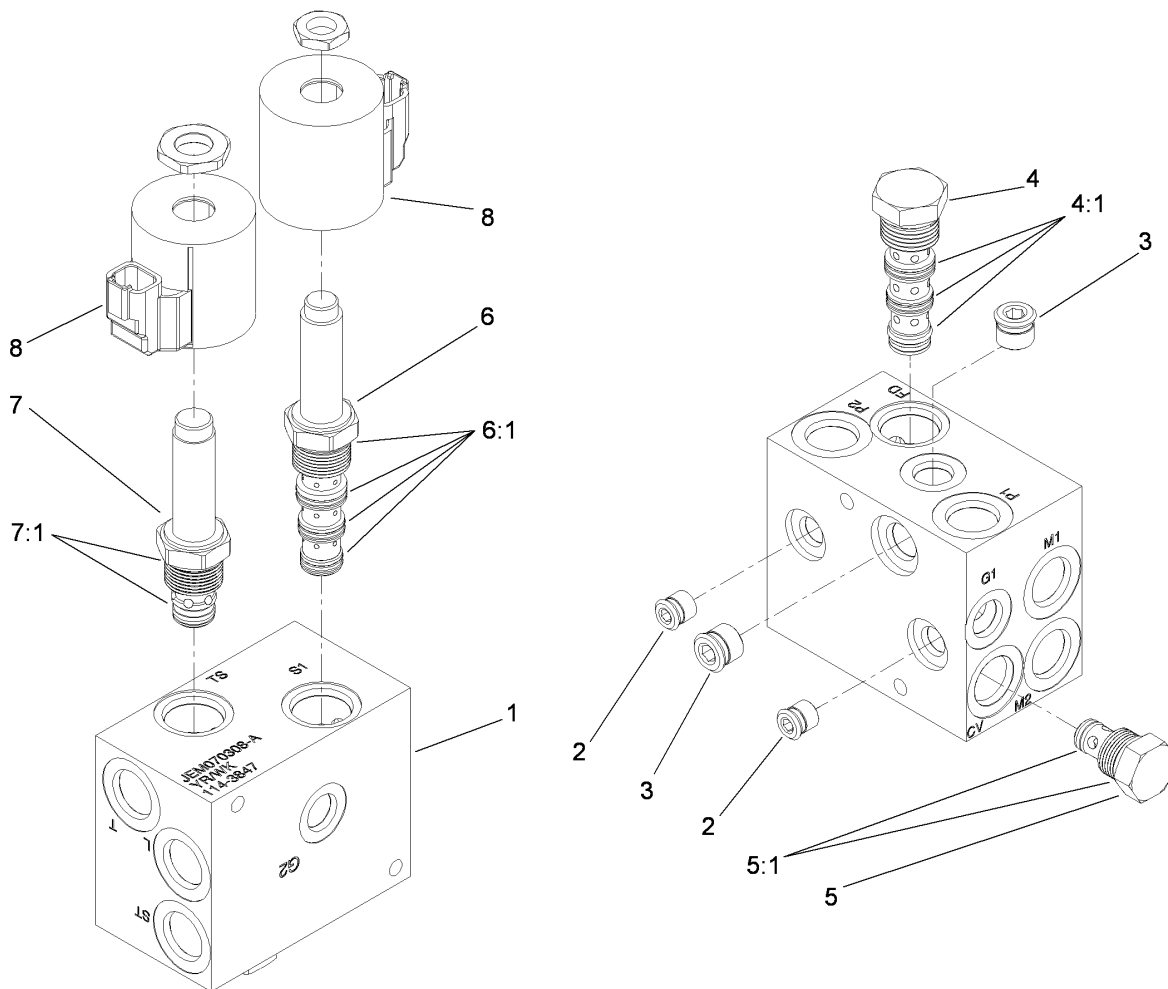
## Traction Manifold Assembly No. 112-9124

Ref.	Part Number	Qty.	Description
1		1	Manifold ■
2		13	Plug ■
3	106-1997	1	Valve-Divider, Flow ▲
3:1	110-6111	1	Seal Kit
4	106-1996	1	Valve-Directional, Piloted
4:1	106-6775	1	Seal Kit ●
5	106-1995	1	Valve-3 Way
5:1	110-8773	1	Seal Kit ●
6	105-9333	1	Coil-12Vdc
7	105-9321	3	Check Valve ASM
7:1	105-9156	1	Seal Kit
8	353-989	6	Plug-Hex, Hollow
8:1	237-42	1	O-Ring
9	353-988	3	Plug-Hex
9:1	237-79	1	O-Ring
10	105-9326	1	Orifice
11	105-9332	1	Nut-E Coil

● Not illustrated

▲ Used in Groundmaster 4000 Series

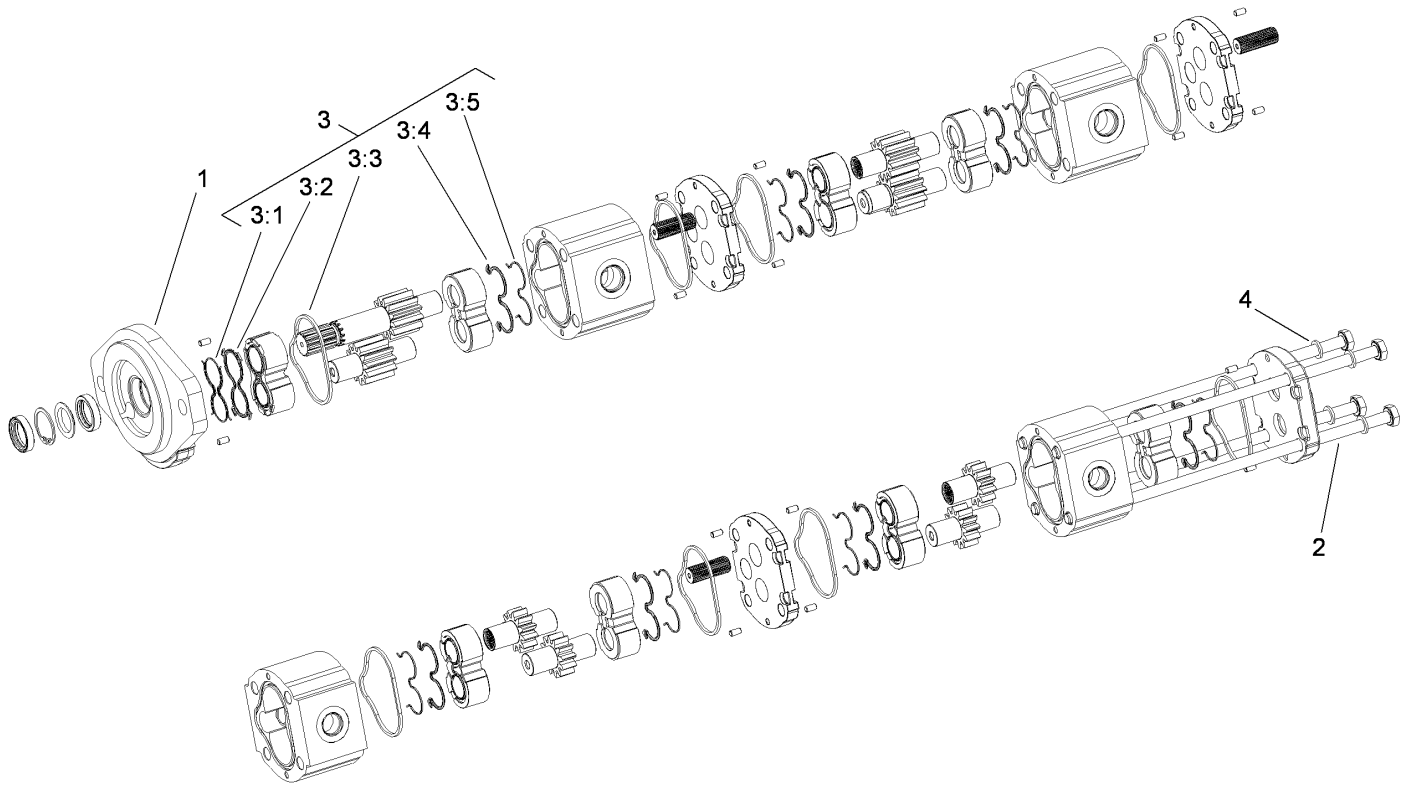
■ Not serviced separately



## Fan Drive Manifold Assembly No. 114-3847

Ref.	Part Number	Qty.	Description
1		1	Manifold Block ●
2		2	Plug, -4 ●
3		3	Plug, -6 ●
4	115-3024	1	Valve-Flow Divider/Combiner
4:1	115-3025	1	Seal Kit
5	105-9321	1	Check Valve ASM
5:1	105-9156	1	Seal Kit
6	115-3023	1	Solenoid Valve ASM
6:1	110-8908	1	Spool Valve Seal Kit
7	115-3022	1	Relief-Proportional
7:1	110-6316	1	Seal Kit
8	110-6344	2	Coil-12V, Dc

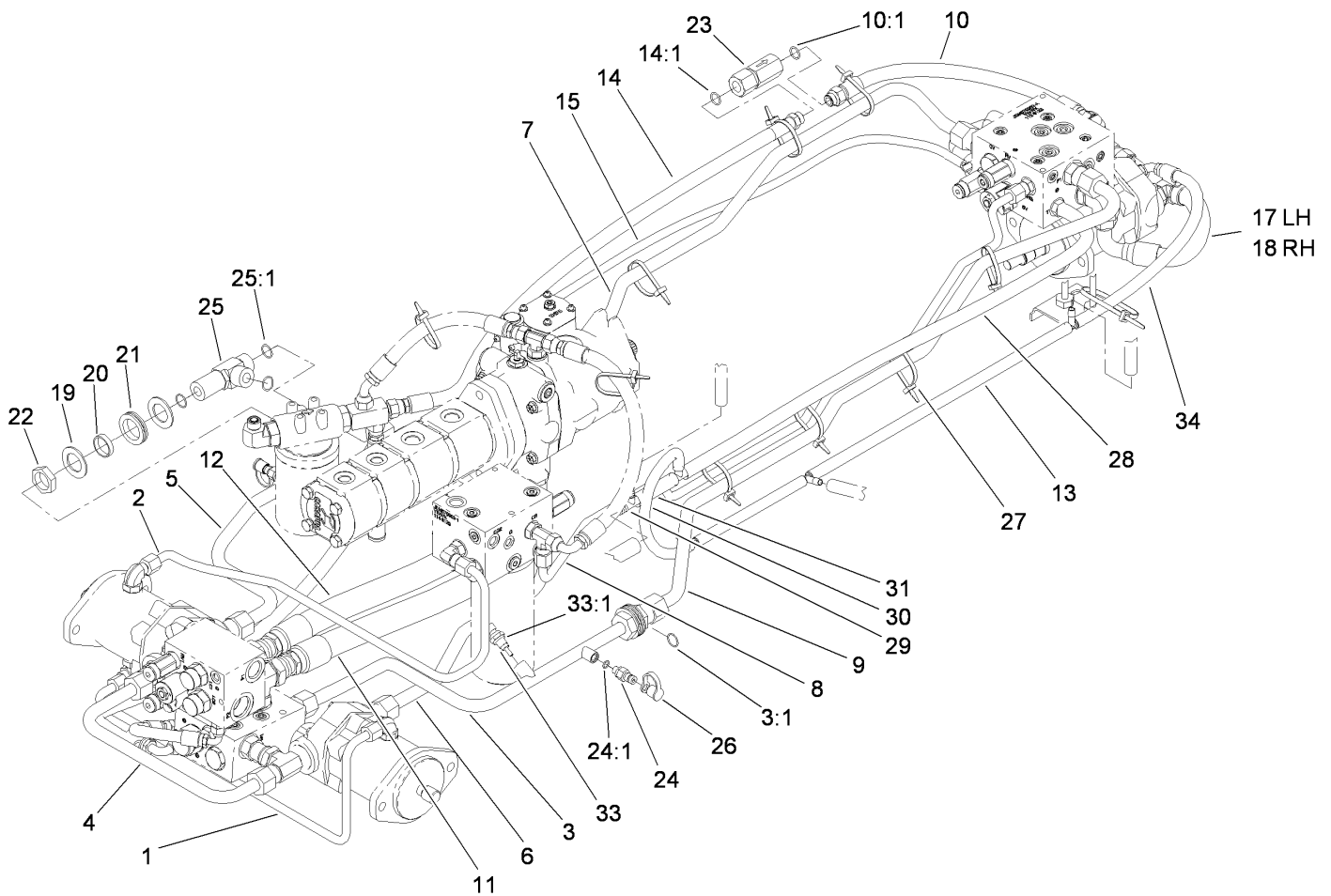
● Not serviced separately



## Pump Assembly No. 114-9770

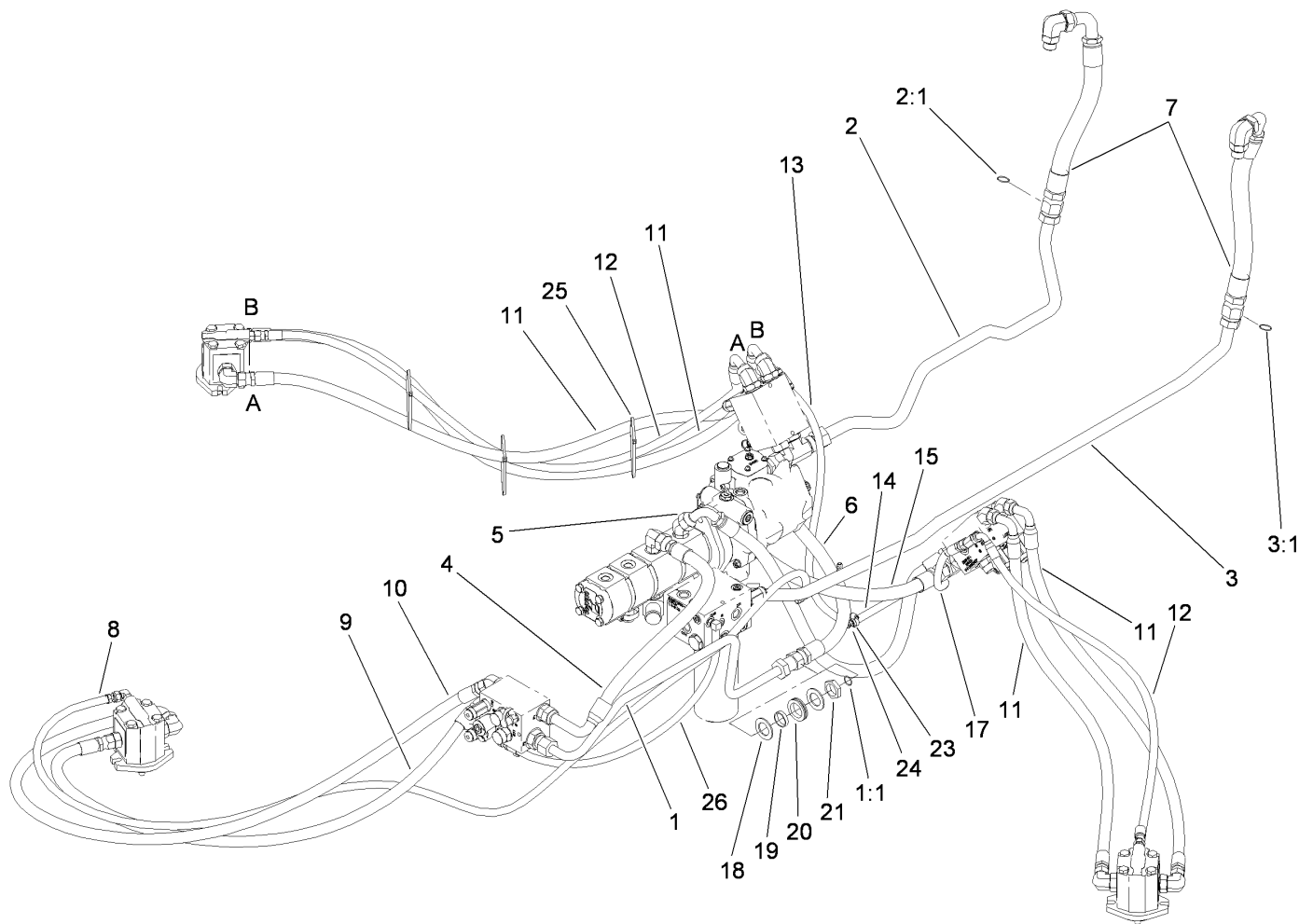
<i>Ref.</i>	<i>Part Number</i>	<i>Qty.</i>	<i>Description</i>
1	115-3774	1	Cover-Front
2	115-3775	4	Bolt
3	115-3776	1	Seal Kit
3:1		1	Seal ●
3:2		1	Seal ●
3:3		8	Seal ●
3:4		7	Seal ●
3:5		7	Seal ●
4	115-9138	4	Washer

● Not serviced separately



## Traction Hydraulic Plumbing Assembly

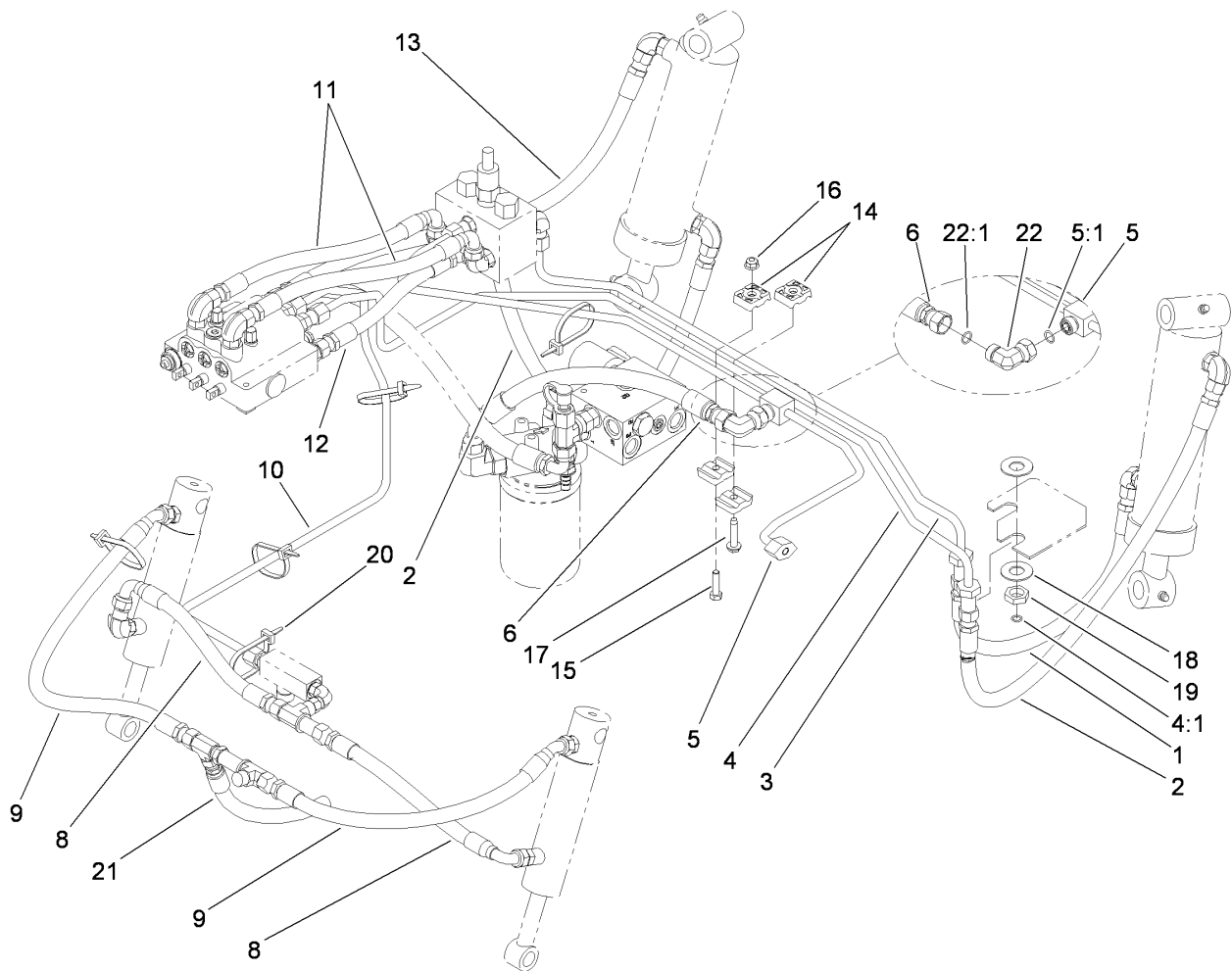
Ref.	Part Number	Qty.	Description	Ref.	Part Number	Qty.	Description
1	100-3095	1	Tube-HYD	17	100-5579	1	Hose ASM
2	115-8451	1	Tube-HYD	18	104-3502	1	Hose ASM
3	115-8464	1	HYD Tube ASM	19	69-8910	4	Washer
3:1	237-58	1	O-Ring	20	69-8900	2	Spacer
4	100-5574	1	Tube-HYD, Motor Front	21	240-7	2	Grommet-Rubber
5	104-3581	1	Tube-HYD, RH Motor	22	340-126	2	Nut-Bulkhead
6	115-8450	1	Tube-HYD, Motor LH	23	100-5600	1	Valve-Check
7	100-5571	1	Tube-HYD, RH Rear	24	354-77	2	Fitting-Quick
			Traction	24:1	237-78	1	O-Ring
8	115-8453	1	Tube-HYD, Charge LH	25	104-3558	1	Fitting-Bulkhead
9	115-3769	1	Tube-HYD, Traction LH	25:1	237-58	3	O-Ring
			Rear	26	354-79	2	Cap-Dust
10	100-5617	1	Hose ASM	27	3290-378	13	Tie-Cable
10:1	237-79	1	O-Ring	28	110-6153	1	Hose
11	115-8484	1	HYD Hose ASM	29	99-7371	2	Connector-Tee
12	115-8483	1	HYD Hose ASM	30	100-5607	1	Hose
13	115-8466	1	Hose	31	110-6190	1	Hose
14	104-2237	1	Hose ASM	33	110-8829	1	Sender-Temperature
14:1	237-79	1	O-Ring	33:1	237-42	1	O-Ring
15	100-5643	1	Hose ASM	34	115-8465	1	Hose ASM



## Power-Take-Off Hydraulic Plumbing Assembly

Ref.	Part Number	Qty.	Description
1	104-0795	1	Tube-HYD, Front PTO
1:1	237-58	1	O-Ring
2	104-0796	1	Tube-HYD, RH Cooler
2:1	340-65	1	O-Ring
3	115-8452	1	HYD Tube ASM
3:1	340-65	1	O-Ring
4	95-0961	1	Hose ASM
5	114-3837	1	Hose ASM
6	115-3772	1	Hose ASM
7	115-3771	2	Hose ASM
8	112-9126	1	Hose ASM
9	104-2261	1	Hose ASM
10	104-2260	1	Hose ASM
11	104-2263	4	Hose ASM

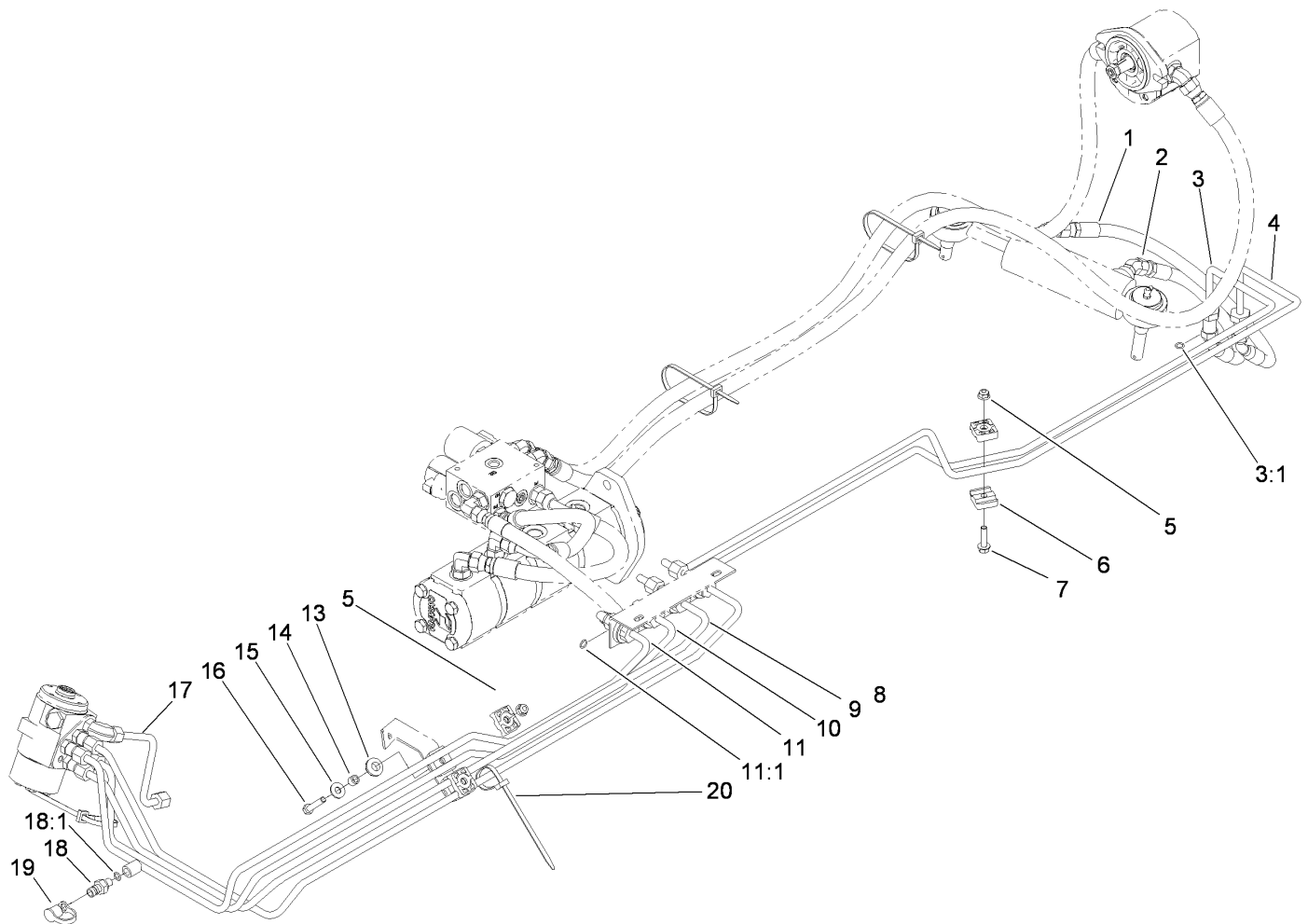
Ref.	Part Number	Qty.	Description
12	104-2265	2	Hose-HYD
13	100-5570	1	Hose ASM
14	100-5649	2	Hose
15	100-5645	1	Hose ASM
17	100-5641	1	Hose ASM
18	69-8910	2	Washer
19	69-8900	1	Spacer
20	240-7	1	Grommet-Rubber
21	340-126	1	Nut-Bulkhead
23	2412-36	13	Clamp-Hose
24	354-107	2	Fitting-HYD, Tee
25	3290-379	15	Tie-Cable
26	115-8476	1	Hose ASM



## Lift Arm Hydraulic Plumbing Assembly

<i>Ref.</i>	<i>Part Number</i>	<i>Qty.</i>	<i>Description</i>	<i>Ref.</i>	<i>Part Number</i>	<i>Qty.</i>	<i>Description</i>
1	100-5629	1	Hose ASM	12	100-5589	1	Hose ASM
2	100-5630	2	Hose ASM	13	100-5631	1	Hose ASM
3	100-3087	1	Tube-HYD, Left Return	14	56-7973	4	Clamp-Tube
3:1	237-22	1	O-Ring ●	15	322-6	1	Screw-HH
4	100-3088	1	Tube-HYD, Lift	16	104-8300	1	Nut-HF, NI
4:1	237-22	1	O-Ring	17	32144-57	1	Screw
5	100-3089	1	Tube-HYD, Charge	18	69-8940	4	Washer
5:1	237-30	1	O-Ring	19	340-70	2	Nut-Lock
6	114-9768	1	Hose ASM	20	3290-378	5	Tie-Cable
8	104-2234	2	Hose-HYD	21	104-2234	1	Hose-HYD
9	92-7595	2	Hose-HYD	22	94-6031	1	Fitting-HYD
10	105-7371	1	Tube-HYD	22:1	237-30	1	O-Ring
11	104-2240	2	Hose ASM				

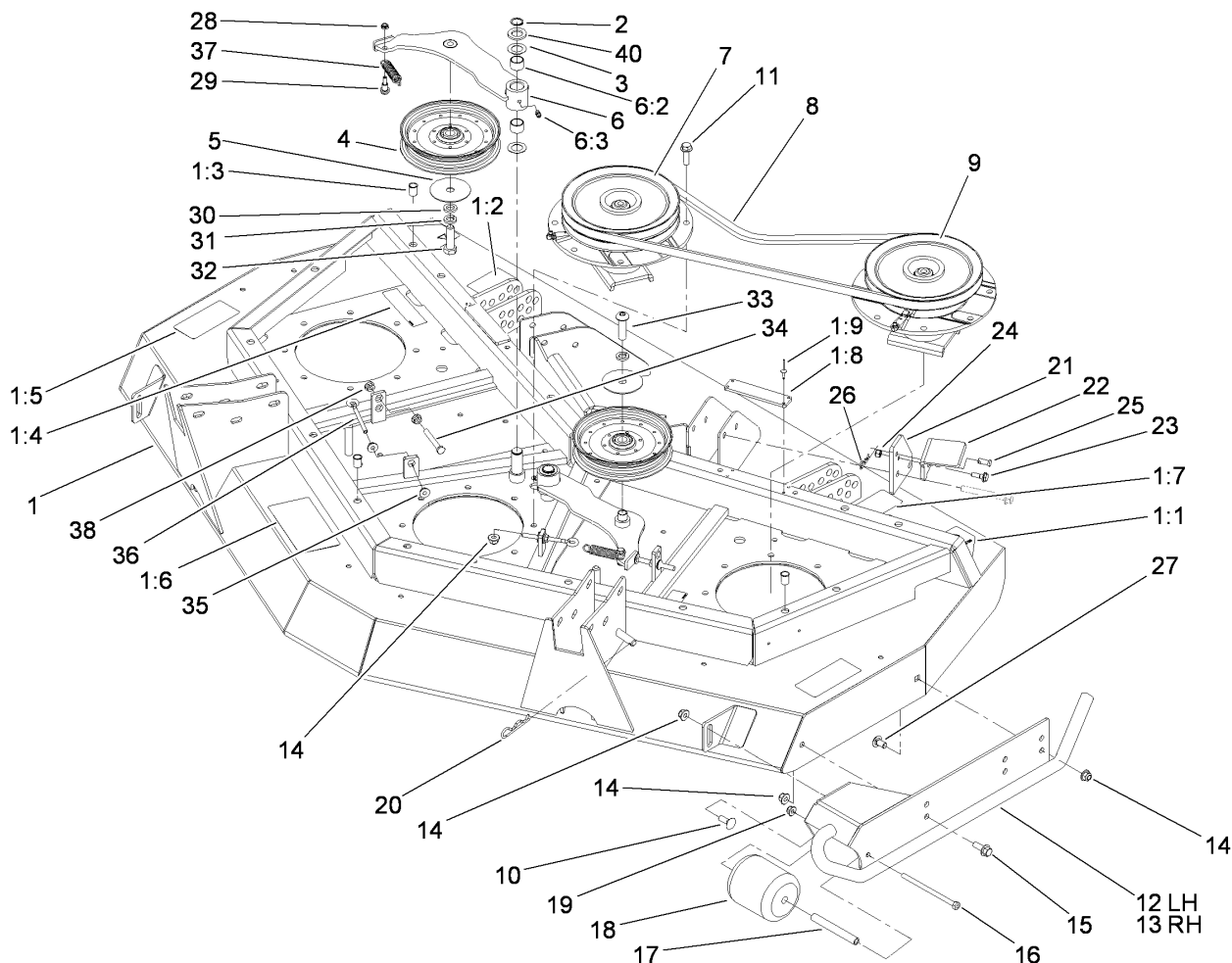
● Not illustrated



## Steering Hydraulic Assembly

<i>Ref.</i>	<i>Part Number</i>	<i>Qty.</i>	<i>Description</i>	<i>Ref.</i>	<i>Part Number</i>	<i>Qty.</i>	<i>Description</i>
1	92-7538	1	Hose ASM	9:1	237-22	1	O-Ring ●
2	92-7539	1	Hose-HYD	10	100-3093	1	Tube-HYD (Beyond Power Steering)
3	100-5576	1	Tube-HYD, Steering, Rear, RH	10:1	237-22	1	O-Ring ●
3:1	237-22	1	O-Ring	11	100-3090	1	Tube-HYD, Pressure Steering
4	100-5575	1	Tube-HYD, Steering, Rear, LH	11:1	237-22	1	O-Ring
4:1	237-22	1	O-Ring ●	13	93-5108	2	Grommet-Rubber
5	104-8300	3	Nut-HF, NI	14	93-5109	2	Spacer
6	56-7973	6	Clamp-Tube	15	3256-71	2	Washer-Flat
7	3234-36	1	Screw-HHF	16	322-8	2	Screw-HH
8	100-3091	1	Tube-HYD, Steering, Front, LH	17	100-5588	1	Tube-HYD (Steer And Drain)
8:1	237-22	1	O-Ring ●	18	354-77	1	Fitting-Quick
9	100-3092	1	Tube-HYD, Steering, Front, RH	18:1	237-78	1	O-Ring
				19	354-79	1	Cap-Dust
				20	3290-378	4	Tie-Cable

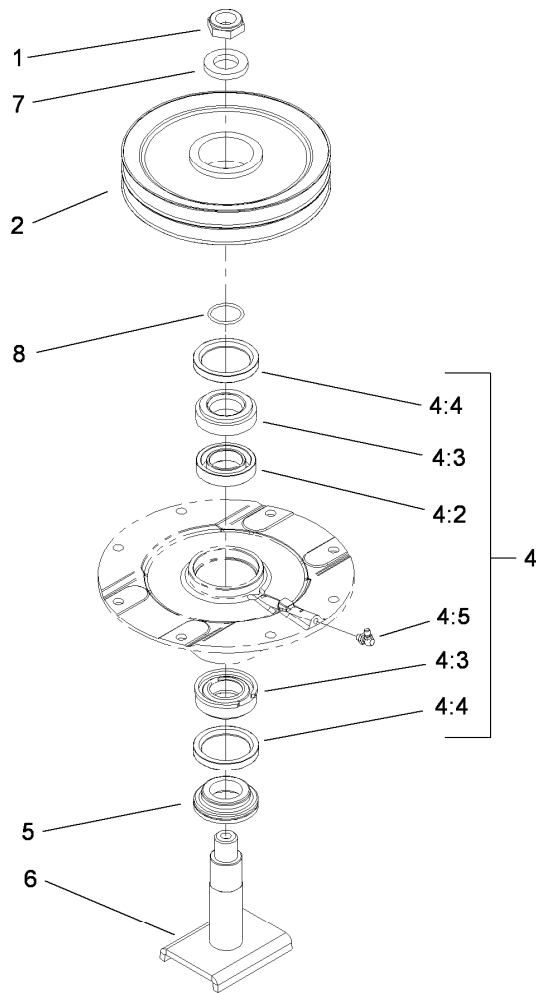
● Not illustrated



## Front Deck, Idler and Skid Assembly

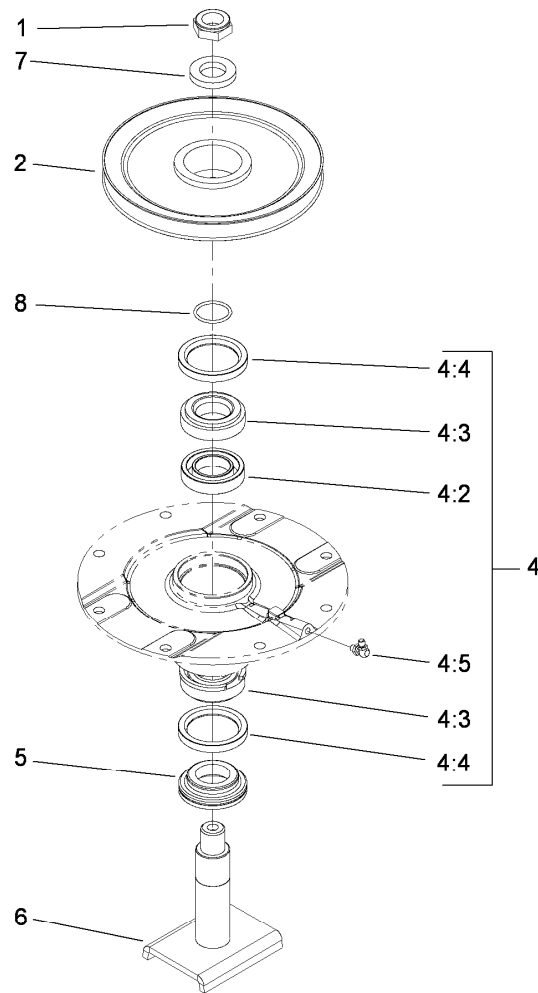
Ref.	Part Number	Qty.	Description
1	110-3294	1	Front Deck ASM
1:1	106-6753	2	Decal-Danger, CE
1:2	100-5624	1	Decal-HOC, RH
1:3	32148-9	3	Nut-Clinch
1:4	100-6578	4	Decal-Danger
1:5	93-7818	2	Decal-Torque, Blade Bolt
1:6	100-5622	1	Decal-HOC
1:7	104-3578	1	Decal-HOC, LH
1:8	105-0786	2	Pad-Plastic
1:9	3269-24	8	Rivet
2	32120-72	2	Ring-Snap
3	3-6498	4	Washer-Thrust
4	110-9596	2	Pulley-Idler
5	100-3102	2	Washer-Flat
6	110-6128	2	Idler Arm ASM
6:2	256-76	2	Bushing
6:3	302-5	1	Fitting-Grease
7	104-3530	1	Double Driven Spindle ASM
8	108-8076	2	V-Belt, Deck
9	104-3531	1	High Driven Spindle ASM
10	3231-2	2	Bolt-CARR
11	3234-24	20	Screw-HHF
12	100-5612-01	1	LH Skid ASM
13	100-5605-01	1	RH Skid ASM
14	104-8301	26	Nut-HF, NI

Ref.	Part Number	Qty.	Description
15	3234-42	2	Screw-HHF
16	322-29	2	Screw-HH
17	105-4549	2	Spacer-Roller
18	93-4803	2	Roller-Deck
19	104-8300	2	Nut-HF, NI
20	3290-355	1	Pin-Hair
21	106-2033-01	1	Plate-Latch
22	106-2032-01	1	Latch-Deck
23	11-9030	1	Screw-Shoulder
24	3296-42	1	Nut-Lock, NI
25	283-62	1	Pin-Clevis
26	3290-467	1	Pin-Hair
27	3231-21	2	Screw-CARR
28	3296-56	2	Nut-Lock, NI
29	104-0858	2	Bolt-Shoulder
30	9202424	1	Spacer
31	3253-7	2	Washer-Lock
32	325-7	1	Screw-HH
33	108-1993	1	Screw-HSBH
34	9114524	2	Bolt-TAP, HH
35	32128-14	4	Nut-HF
36	68-0090	2	Screw-Adjusting
37	107938	2	Spring-Extension
38	32128-26	4	Nut-Flange
40	70-1160	2	Washer



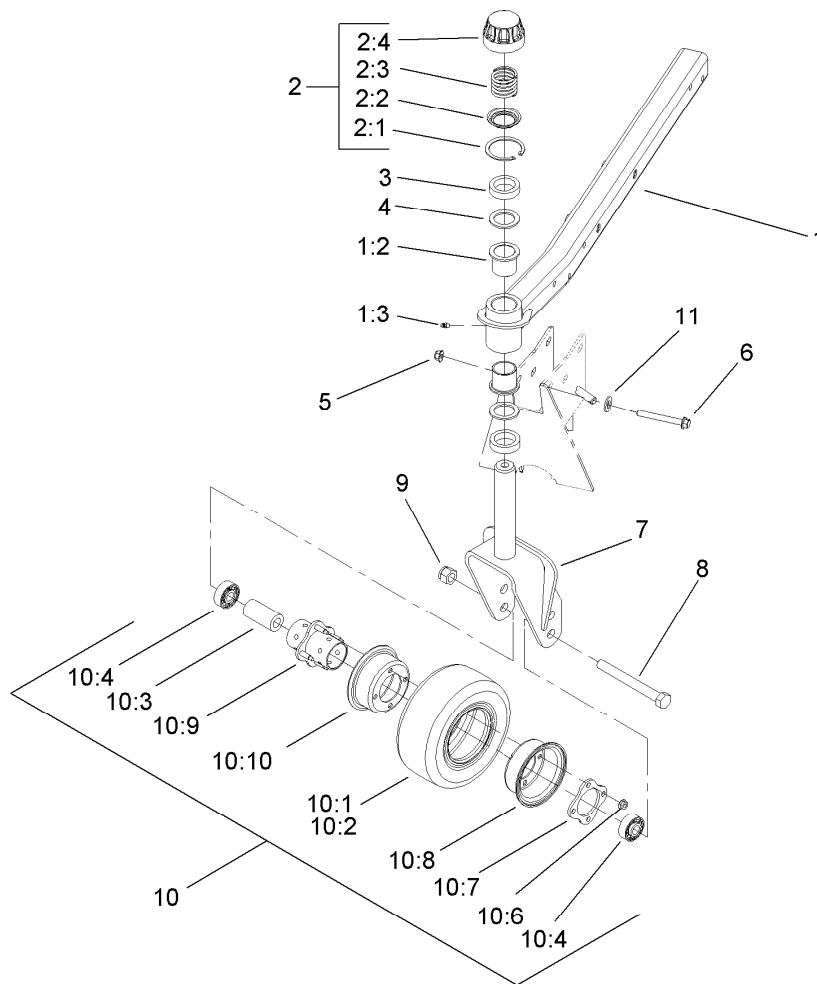
## Double Driven Spindle Assembly No. 104-3530

<i>Ref.</i>	<i>Part Number</i>	<i>Qty.</i>	<i>Description</i>
1	3296-60	1	Nut-Lock, NI
2	104-3547	1	Pulley-Driven, Double
4	104-3552	1	Spindle Housing ASM
4:2	104-3549	1	Bearing Spacer Set
4:3	110-8297	1	Bearing ASM
4:4	253-154	2	Seal-Oil
4:5	302-60	1	Fitting-Grease
5	69-6950	1	Spacer-Shaft, Spindle
6	104-3554	1	Shaft-Spindle
7	104-8322	1	Washer-Hardened
8	106-7159	1	O-Ring



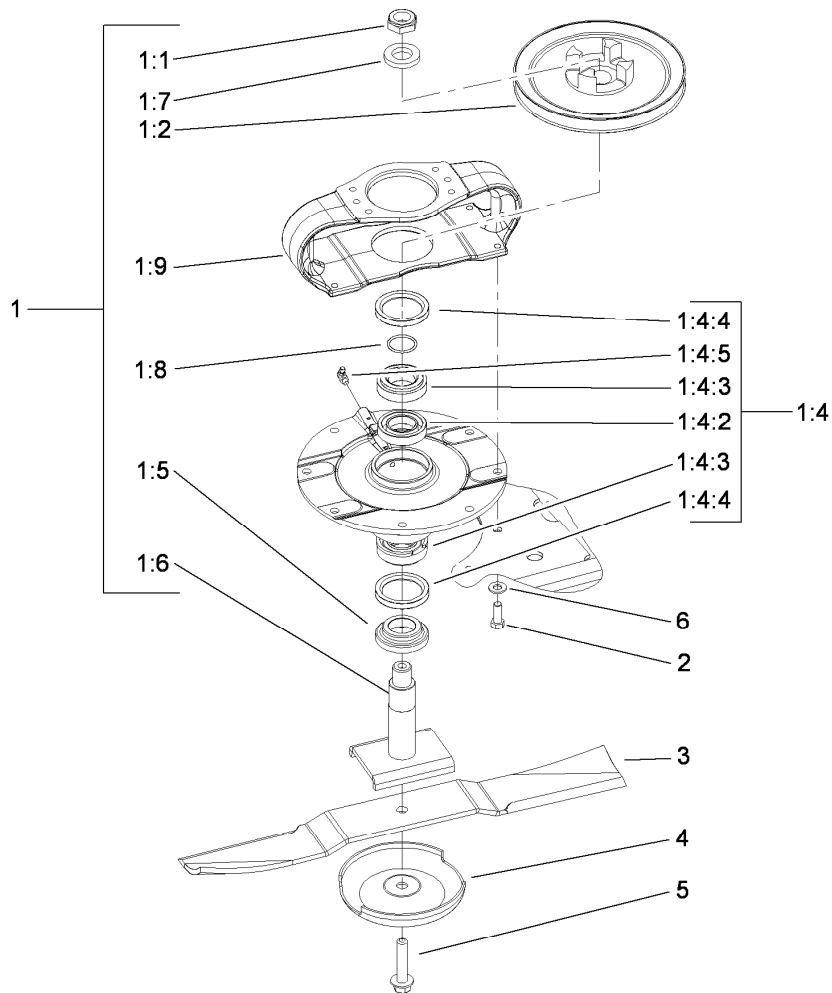
## High Driven Spindle Assembly No. 104-3531

<i>Ref.</i>	<i>Part Number</i>	<i>Qty.</i>	<i>Description</i>
1	3296-60	1	Nut-Lock, NI
2	104-3548	1	Pulley-Driven, High
4	104-3552	1	Spindle Housing ASM
4:2	104-3549	1	Bearing Spacer Set
4:3	110-8297	1	Bearing ASM
4:4	253-154	2	Seal-Oil
4:5	302-60	1	Fitting-Grease
5	69-6950	1	Spacer-Shaft, Spindle
6	104-3554	1	Shaft-Spindle
7	104-8322	1	Washer-Hardened
8	106-7159	1	O-Ring



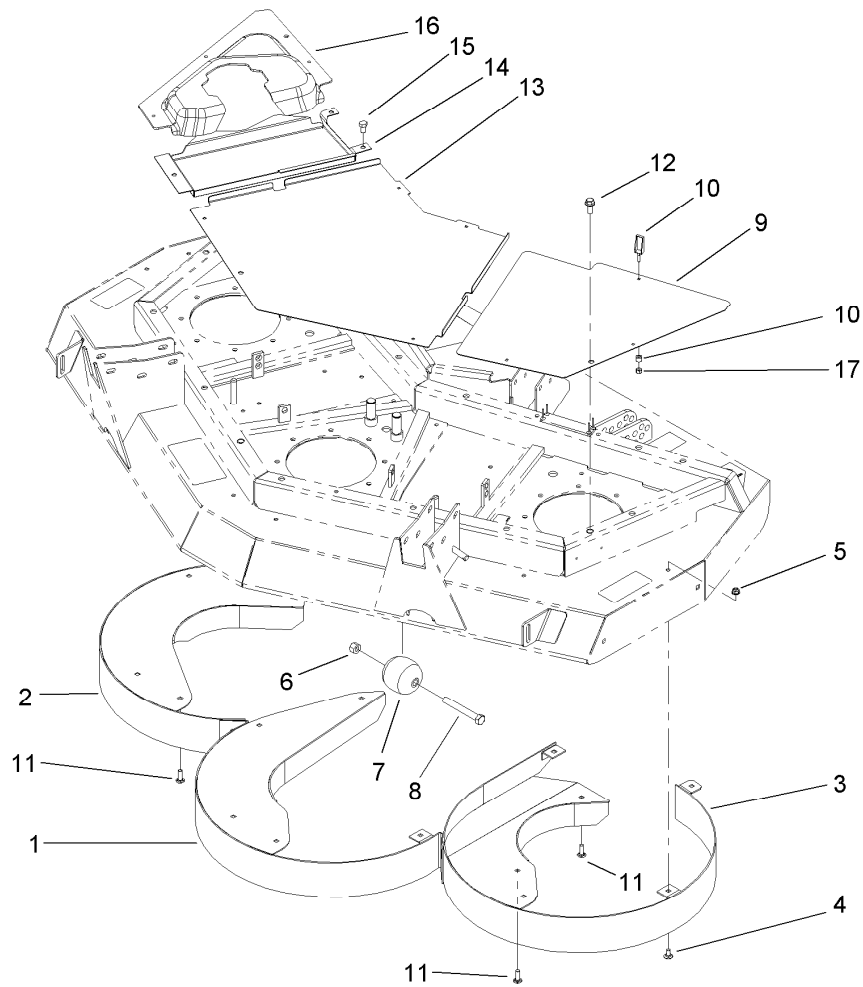
## Front Deck Castor Arm and Tire Assembly

Ref.	Part Number	Qty.	Description	Ref.	Part Number	Qty.	Description
1	100-8091	1	Front RH Castor Arm ASM	9	3296-53	2	Nut-Lock, NI
1	100-8092	1	Front LH Castor Arm ASM	10	93-5974	2	8 Inch Foam Filled Wheel ASM
1:2	69-6470	2	Bushing-Castor	10	93-9938	2	Wheel ASM
1:3	302-5	1	Fitting-Grease	10:1	93-9939	1	Tire
2	92-9727	2	HOC Cap ASM	10:2	68-8950	1	Tube-Inner (W/Valve)
2:1	92-5581	1	Ring-Retaining	10:3	93-4241	1	Spacer-Bearing, Inner
2:2	92-5583	1	Washer-Cap	10:4	93-4237	2	Bearing
2:3	92-9726	1	Spring-Compression	10:6	32128-16	4	Nut-HHF
2:4	92-8861	1	Cap-HOC	10:7	93-4242	1	Plate
3	69-1510	10	Spacer	10:8	93-4239	1	Rim-Wheel, Half
4	69-6860	4	Washer-Thrust	10:9	93-5980	1	Hub
5	104-8301	10	Nut-HF, NI	10:10	95-2741	1	Rim-Wheel, Half
6	323-15	10	Screw-HH	11	3256-24	10	Washer-Flat
7	104-0762-01	2	Fork-Castor				
8	327-24	2	Screw-HH				



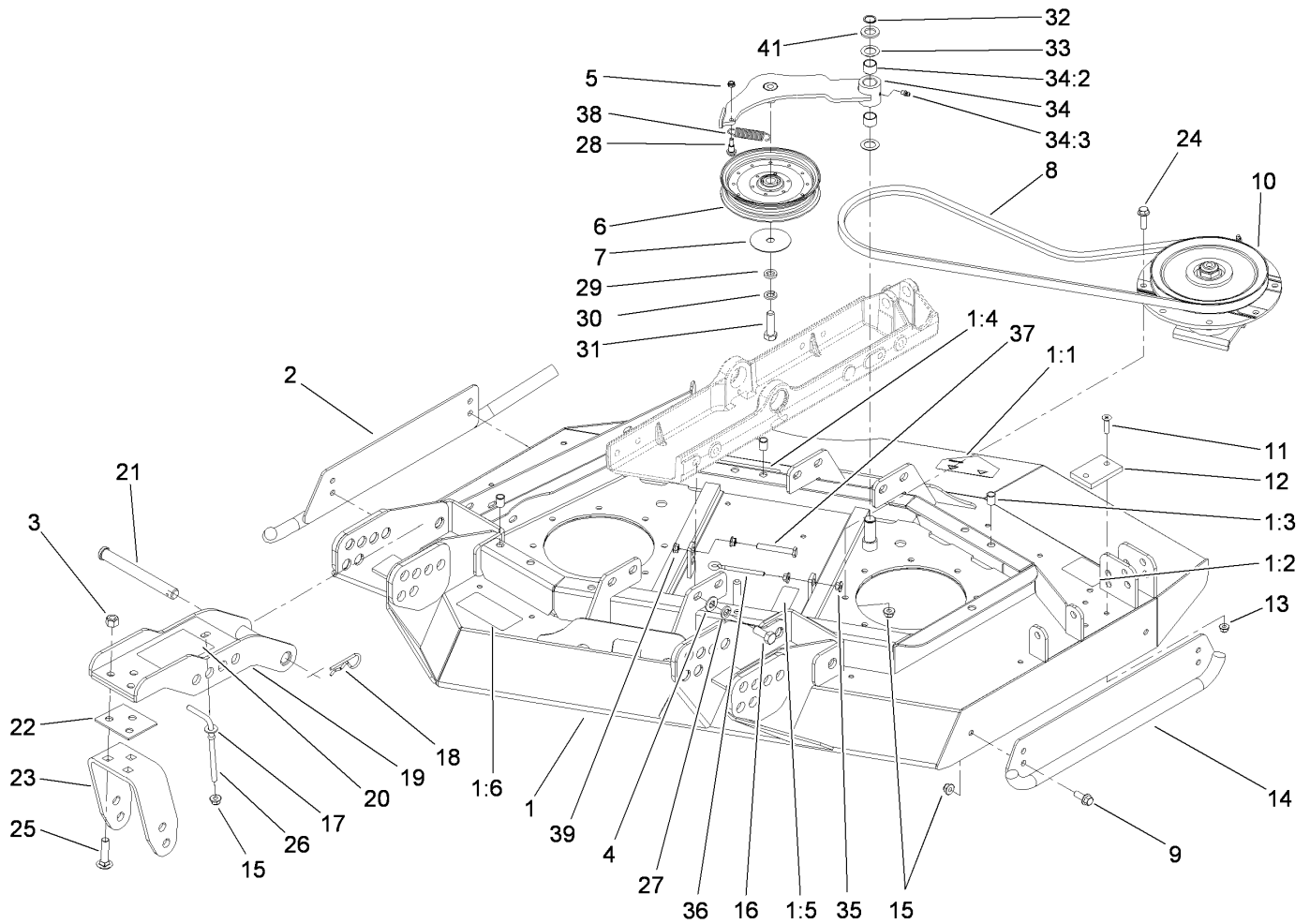
## Front Deck Spindle Installation Assembly

<i>Ref.</i>	<i>Part Number</i>	<i>Qty.</i>	<i>Description</i>
1	104-3529	1	Driving Spindle ASM
1:1	3296-60	1	Nut-Lock, NI
1:2	104-3545	1	Pulley-Driving
1:4	104-3552	1	Spindle Housing ASM
1:4:2	104-3549	1	Bearing Spacer Set
1:4:3	110-8297	1	Bearing ASM
1:4:4	253-154	2	Seal-Oil
1:4:5	302-60	1	Fitting-Grease
1:5	69-6950	1	Spacer-Shaft, Spindle
1:6	104-3554	1	Shaft-Spindle
1:7	104-8322	1	Washer-Hardened
1:8	106-7159	1	O-Ring
1:9	104-3544	1	Mount-Motor, Drive
2	323-6	4	Screw-HH
3	92-5608-03	3	Blade
4	72-9361	3	Cup-Scalp, Anti
5	92-5816	3	Bolt-Blade
6	3256-24	4	Washer-Flat



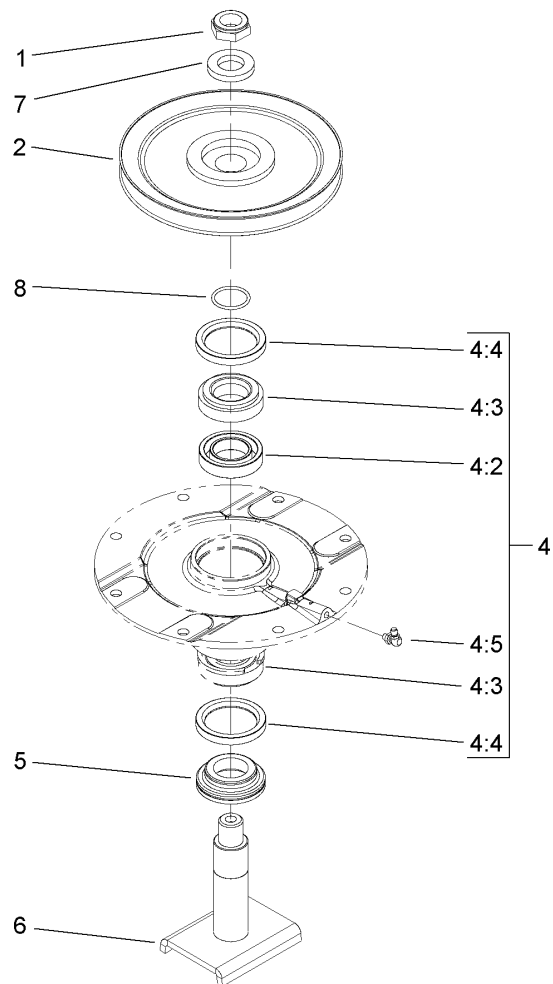
## Front Deck Rear Discharge Chamber and Cover Assembly

<i>Ref.</i>	<i>Part Number</i>	<i>Qty.</i>	<i>Description</i>
1	104-2200-01	1	Chamber-Center
2	104-2201-01	1	Chamber-RH
3	104-2202-01	1	Chamber-LH
4	3230-18	15	Screw-CARR
5	104-8300	18	Nut-HF, NI
6	3296-45	2	Nut-Hex
7	29-4820	2	Roller
8	325-17	2	Screw-HH
9	100-5663-03	1	Cover-Front, LH
10	74-5950	10	Latch-Swell
11	3230-22	3	Screw-CARR
12	3234-42	3	Screw-HHF
13	100-5660-03	1	Cover-Front, Center
14	100-5662-03	1	Cover-Front, RH
15	32144-69	3	Screw-HWHTF
16	100-5661	1	Cover-Front, Center
17	1-804254	10	Nut-Lock, HH



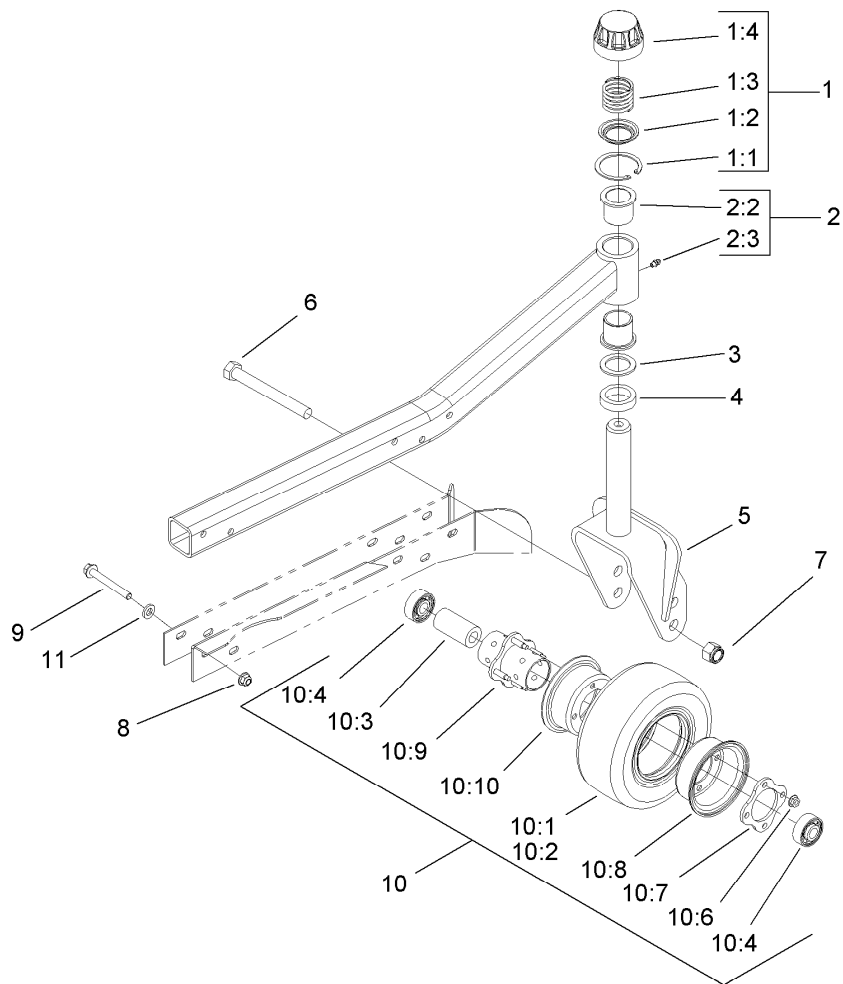
## Right Hand Deck, Idler and Skid Assembly

<i>Ref.</i>	<i>Part Number</i>	<i>Qty.</i>	<i>Description</i>	<i>Ref.</i>	<i>Part Number</i>	<i>Qty.</i>	<i>Description</i>
1	110-3295	1	Right Deck ASM	19	104-7529-01	2	Bracket-Castor
1:1	106-6753	1	Decal-Danger, CE	20	100-5623	1	Decal-HOC
1:2	100-5694	1	Decal-Rear HOC, RH	21	100-5569	4	Pin-Clevis
1:3	32148-9	3	Nut-Clinch	22	104-7524	8	Shim
1:4	100-5622	1	Decal-HOC	23	104-7525-01	2	Bracket-Fork
1:5	100-6578	3	Decal-Danger	24	3234-24	12	Screw-HHF
1:6	93-7818	1	Decal-Torque, Blade Bolt	25	3233-4	6	Screw-CARR
2	100-5620-01	1	RH Skid ASM	26	106-2047	2	Rod-Tension
3	3296-45	6	Nut-Hex	27	3253-7	8	Washer-Lock
4	3256-26	8	Washer-Flat	28	104-0858	1	Bolt-Shoulder
5	3296-56	1	Nut-Lock, NI	29	9202424	1	Spacer
6	110-9596	1	Pulley-Idler	30	3253-7	1	Washer-Lock
7	100-3102	1	Washer-Flat	31	325-7	1	Screw-HH
8	108-8076	1	V-Belt, Deck	32	32120-72	1	Ring-Snap
9	3234-42	4	Screw-HHF	33	3-6498	2	Washer-Thrust
10	104-3532	1	Low Driven Spindle ASM	34	110-6128	1	Idler Arm ASM
11	32108-103	2	Screw-FH	34:2	256-76	2	Bushing
12	69-9290	1	Pad-Bumper	34:3	302-5	1	Fitting-Grease
13	104-8300	2	Nut-HF, NI	35	32128-14	2	Nut-HF
14	104-2250-01	1	Skid-Side	36	68-0090	1	Screw-Adjusting
15	104-8301	18	Nut-HF, NI	37	9114524	1	Bolt-TAP, HH
16	325-5	8	Screw-HH	38	107938	1	Spring-Extension
17	3256-3	2	Washer-Flat	39	32128-26	2	Nut-Flange
18	3290-343	4	Pin-Hair	41	70-1160	1	Washer



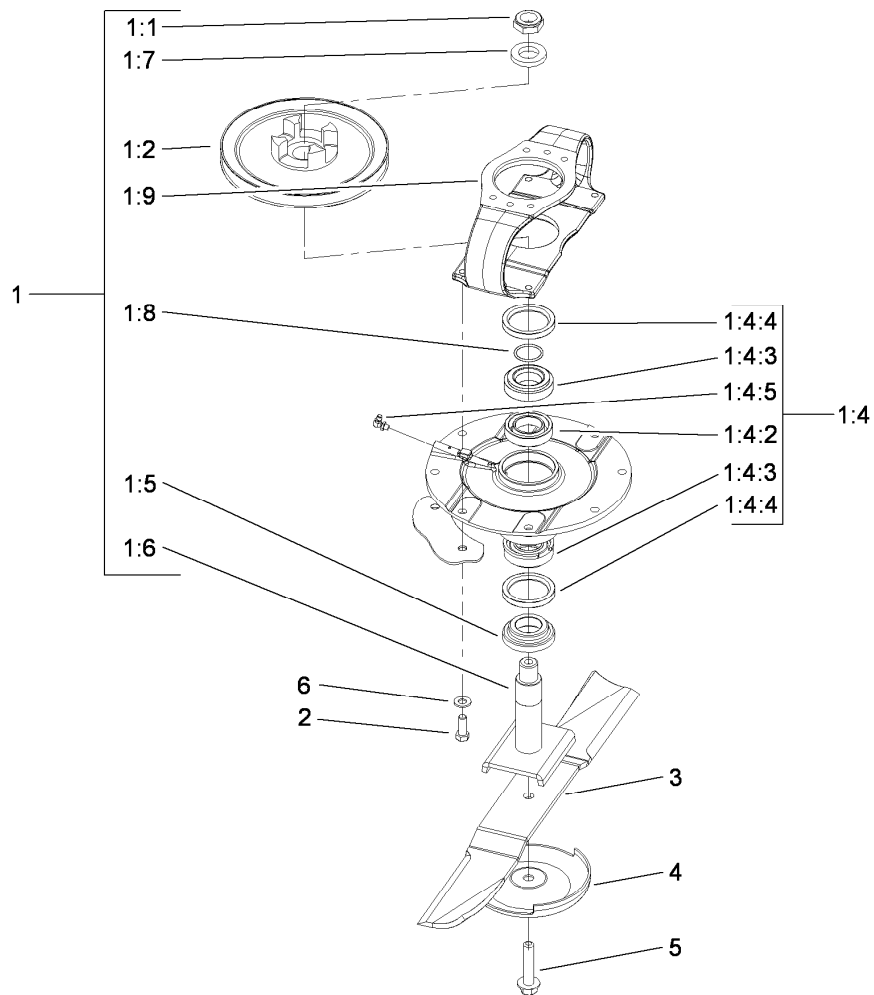
## Low Driven Idler Assembly No. 104-3532

<i>Ref.</i>	<i>Part Number</i>	<i>Qty.</i>	<i>Description</i>
1	3296-60	1	Nut-Lock, NI
2	104-3546	1	Pulley-Driven, Low
4	104-3552	1	Spindle Housing ASM
4:2	104-3549	1	Bearing Spacer Set
4:3	110-8297	1	Bearing ASM
4:4	253-154	2	Seal-Oil
4:5	302-60	1	Fitting-Grease
5	69-6950	1	Spacer-Shaft, Spindle
6	104-3554	1	Shaft-Spindle
7	104-8322	1	Washer-Hardened
8	106-7159	1	O-Ring



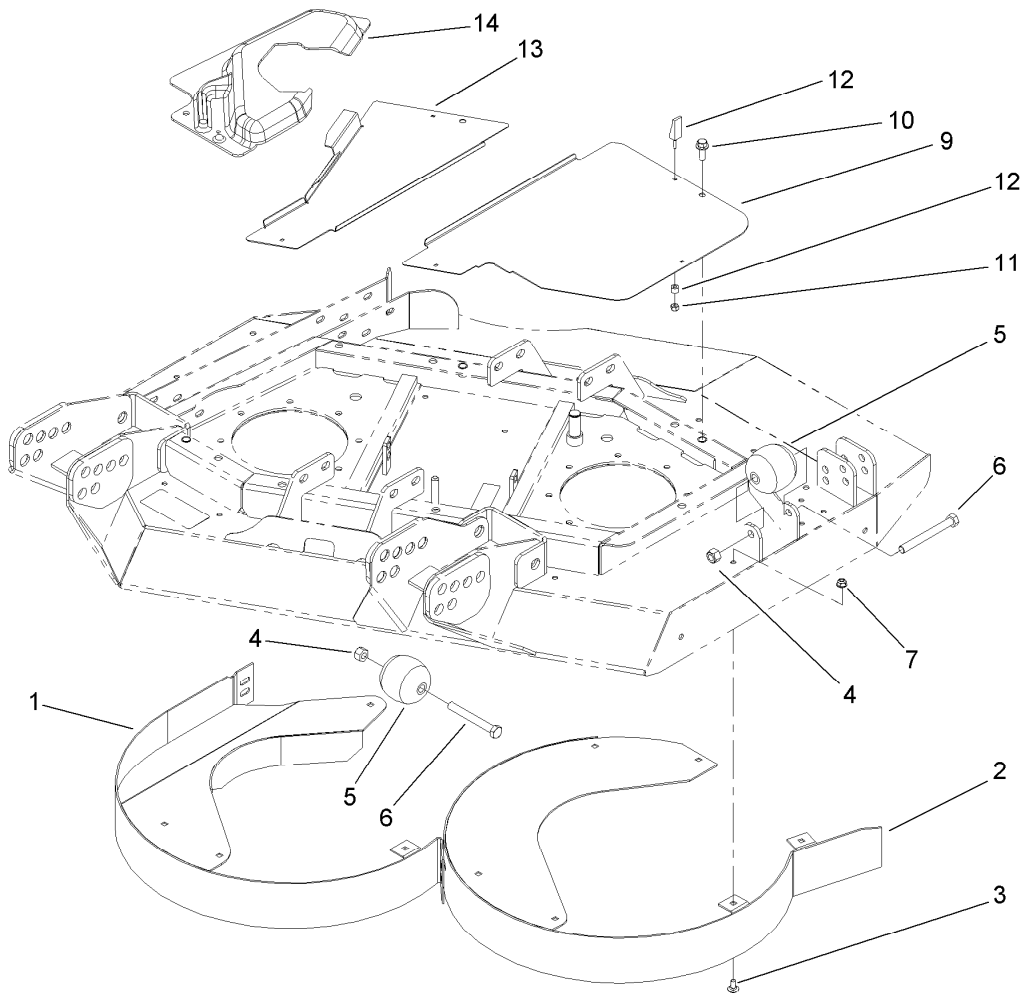
## Right and Left Hand Castor Arm and Tire Assembly

<i>Ref.</i>	<i>Part Number</i>	<i>Qty.</i>	<i>Description</i>	<i>Ref.</i>	<i>Part Number</i>	<i>Qty.</i>	<i>Description</i>
1	92-9727	1	HOC Cap ASM	9	323-15	5	Screw-HH
1:1	92-5581	1	Ring-Retaining	10	93-9938	3	Wheel ASM
1:2	92-5583	1	Washer-Cap	10	93-5974	3	8 Inch Foam Filled Wheel ASM
1:3	92-9726	1	Spring-Compression	10:1	93-9939	1	Tire
1:4	92-8861	1	Cap-HOC	10:2	68-8950	1	Tube-Inner (W/Valve)
2	100-8093	1	Side Castor Arm ASM	10:3	93-4241	1	Spacer-Bearing, Inner
2:2	69-6470	2	Bushing-Castor	10:4	93-4237	2	Bearing
2:3	302-5	1	Fitting-Grease	10:6	32128-16	4	Nut-HHF
3	69-6860	2	Washer-Thrust	10:7	93-4242	1	Plate
4	69-1510	5	Spacer	10:8	93-4239	1	Rim-Wheel, Half
5	104-0762-01	1	Fork-Castor	10:9	93-5980	1	Hub
6	327-24	3	Screw-HH	10:10	95-2741	1	Rim-Wheel, Half
7	3296-53	3	Nut-Lock, NI	11	3256-24	5	Washer-Flat
8	104-8301	5	Nut-HF, NI				



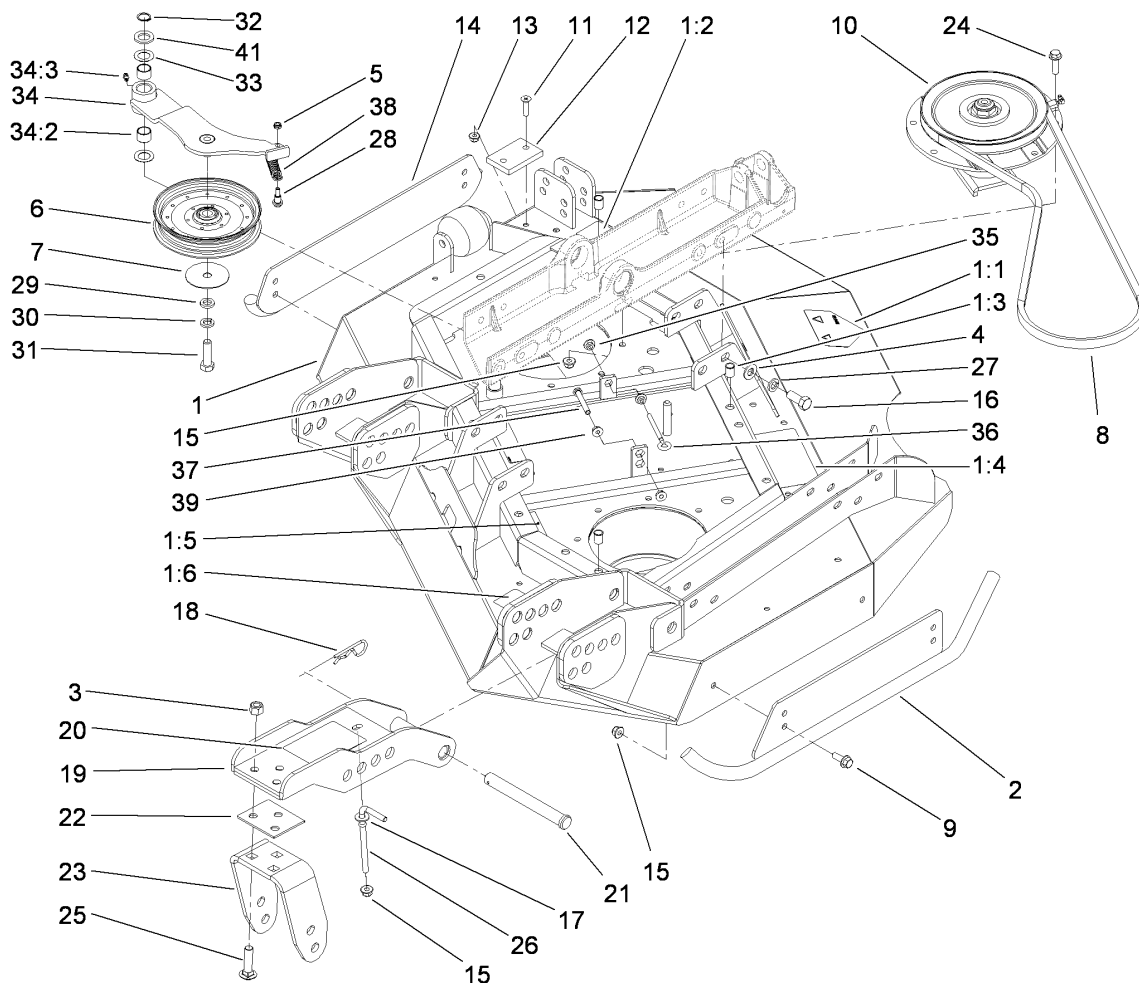
## Right and Left Hand Deck Spindle Installation Assembly

<i>Ref.</i>	<i>Part Number</i>	<i>Qty.</i>	<i>Description</i>
1	104-3529	1	Driving Spindle ASM
1:1	3296-60	1	Nut-Lock, NI
1:2	104-3545	1	Pulley-Driving
1:4	104-3552	1	Spindle Housing ASM
1:4:2	104-3549	1	Bearing Spacer Set
1:4:3	110-8297	1	Bearing ASM
1:4:4	253-154	2	Seal-Oil
1:4:5	302-60	1	Fitting-Grease
1:5	69-6950	1	Spacer-Shaft, Spindle
1:6	104-3554	1	Shaft-Spindle
1:7	104-8322	1	Washer-Hardened
1:8	106-7159	1	O-Ring
1:9	104-3544	1	Mount-Motor, Drive
2	323-6	4	Screw-HH
3	92-5608-03	2	Blade
4	72-9361	2	Cup-Scalp, Anti
5	92-5816	2	Bolt-Blade
6	3256-24	4	Washer-Flat



## Right Hand Deck Rear Discharge Chamber and Cover Assembly

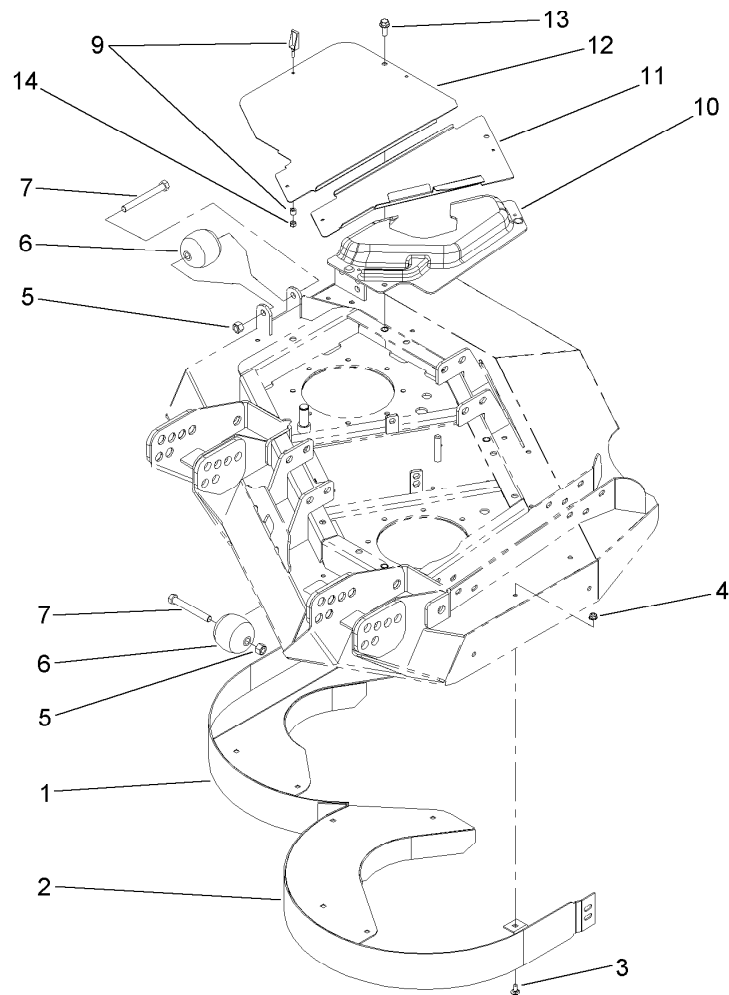
<i>Ref.</i>	<i>Part Number</i>	<i>Qty.</i>	<i>Description</i>
1	104-2203-01	1	Outer Chamber ASM
2	104-2204-01	1	Chamber-Inner
3	3230-18	11	Screw-CARR
4	3296-45	2	Nut-Hex
5	29-4820	2	Roller
6	325-17	2	Screw-HH
7	104-8300	11	Nut-HF, NI
9	100-5668-03	1	Plate-Cover, RH Side
10	3234-42	3	Screw-HHF
11	1-804254	7	Nut-Lock, HH
12	74-5950	7	Latch-Swell
13	100-5665-03	1	Plate-Cover, RH
14	100-5666	1	Cover-Motor, RH Deck



## Left Hand Deck, Idler and Skid Assembly

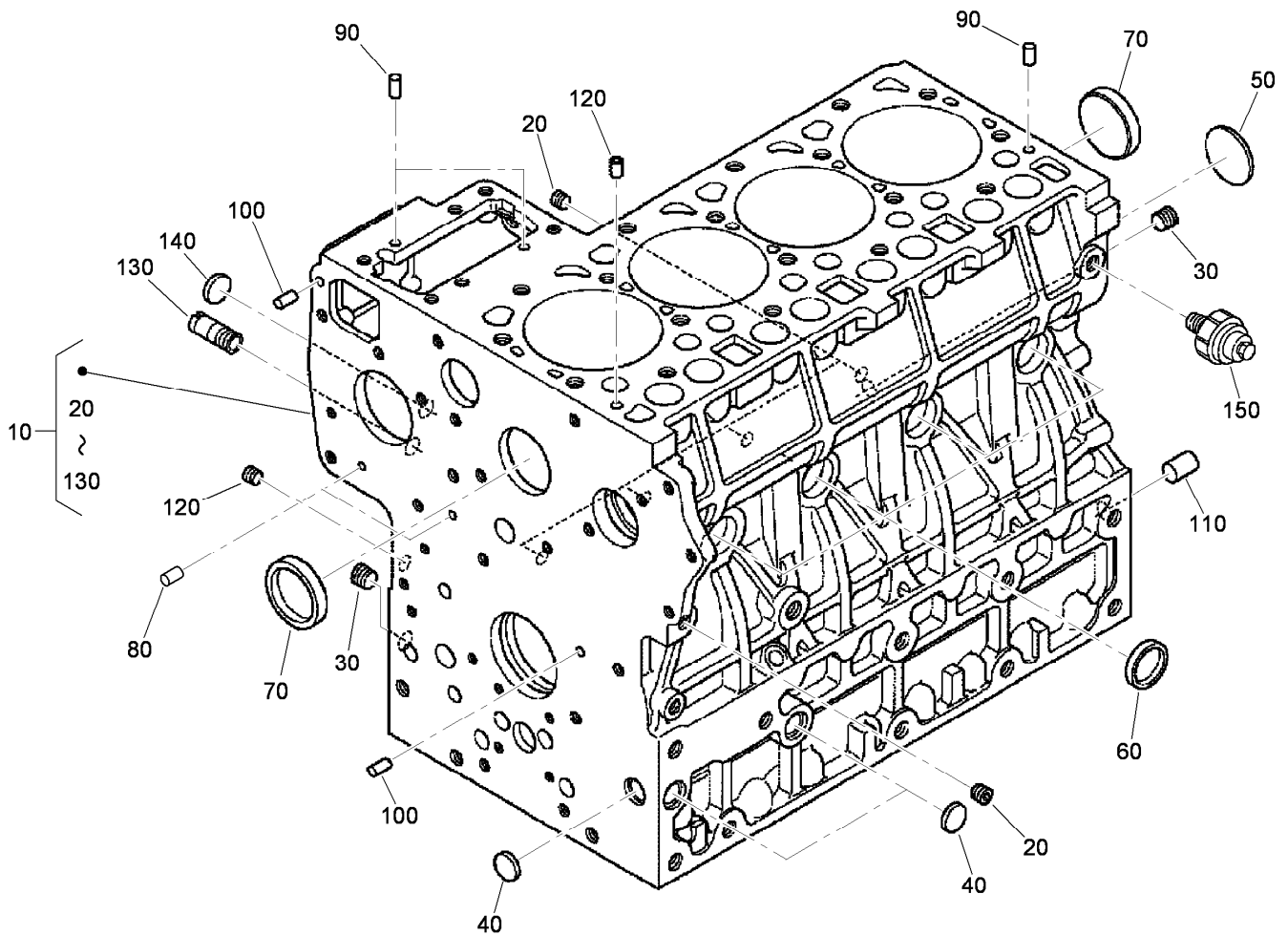
Ref.	Part Number	Qty.	Description
1	110-3296	1	Left Deck ASM
1:1	106-6753	1	Decal-Danger, CE
1:2	100-5693	1	Decal-Rear HOC, LH
1:3	32148-9	3	Nut-Clinch
1:4	100-5622	1	Decal-HOC
1:5	100-6578	3	Decal-Danger
1:6	93-7818	1	Decal-Torque, Blade Bolt
2	100-8125-01	1	LH Skid ASM
3	3296-45	6	Nut-Hex
4	3256-26	8	Washer-Flat
5	3296-56	1	Nut-Lock, NI
6	110-9596	1	Pulley-Idler
7	100-3102	1	Washer-Flat
8	108-8076	1	V-Belt, Deck
9	3234-42	4	Screw-HHF
10	104-3532	1	Low Driven Spindle ASM
11	32108-103	2	Screw-FH
12	69-9290	1	Pad-Bumper
13	104-8300	2	Nut-HF, NI
14	104-2250-01	1	Skid-Side
15	104-8301	18	Nut-HF, NI
16	325-5	8	Screw-HH
17	3256-3	2	Washer-Flat
18	3290-343	4	Pin-Hair

Ref.	Part Number	Qty.	Description
19	104-7529-01	2	Bracket-Castor
20	104-3579	1	Decal-HOC
21	100-5569	4	Pin-Clevis
22	104-7524	8	Shim
23	104-7525-01	2	Bracket-Fork
24	3234-24	12	Screw-HHF
25	3233-4	6	Screw-CARR
26	106-2047	2	Rod-Tension
27	3253-7	8	Washer-Lock
28	104-0858	1	Bolt-Shoulder
29	9202424	1	Spacer
30	3253-7	1	Washer-Lock
31	325-7	1	Screw-HH
32	32120-72	1	Ring-Snap
33	3-6498	2	Washer-Thrust
34	110-6128	1	Idler Arm ASM
34:2	256-76	2	Bushing
34:3	302-5	1	Fitting-Grease
35	32128-14	2	Nut-HF
36	68-0090	1	Screw-Adjusting
37	9114524	1	Bolt-TAP, HH
38	107938	1	Spring-Extension
39	32128-26	2	Nut-Flange
41	70-1160	1	Washer



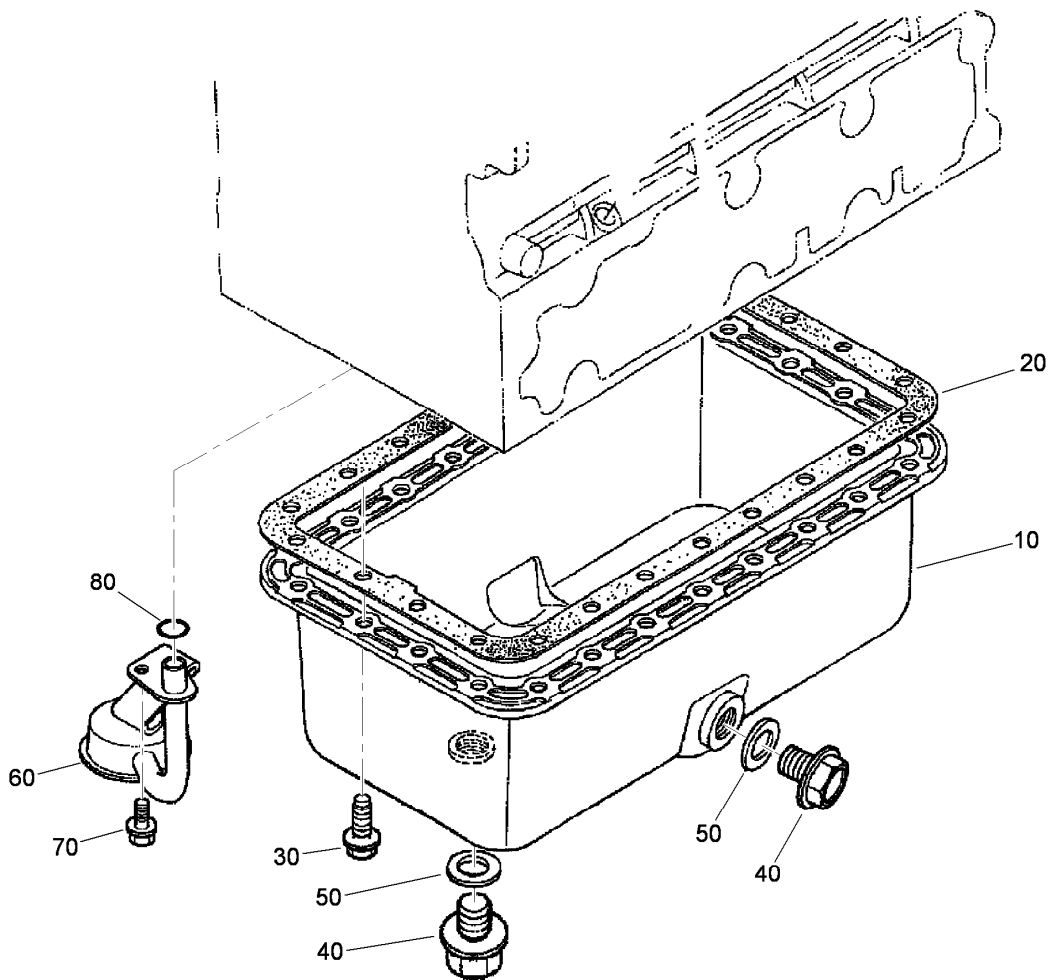
## Left Hand Deck Rear Discharge Chamber and Cover Assembly

<i>Ref.</i>	<i>Part Number</i>	<i>Qty.</i>	<i>Description</i>
1	104-2205-01	1	Chamber-Inner
2	104-2206-01	1	Outer Chamber ASM
3	3230-18	9	Screw-CARR
4	104-8300	9	Nut-HF, NI
5	3296-45	2	Nut-Hex
6	29-4820	2	Roller
7	325-17	2	Screw-HH
9	74-5950	7	Latch-Swell
10	100-5669	1	Cover-Motor, LH Deck
11	100-5664-03	1	Plate-Cover, LH
12	100-5667-03	1	Plate-Cover, LH Side
13	3234-42	3	Screw-HHF
14	1-804254	7	Nut-Lock, HH



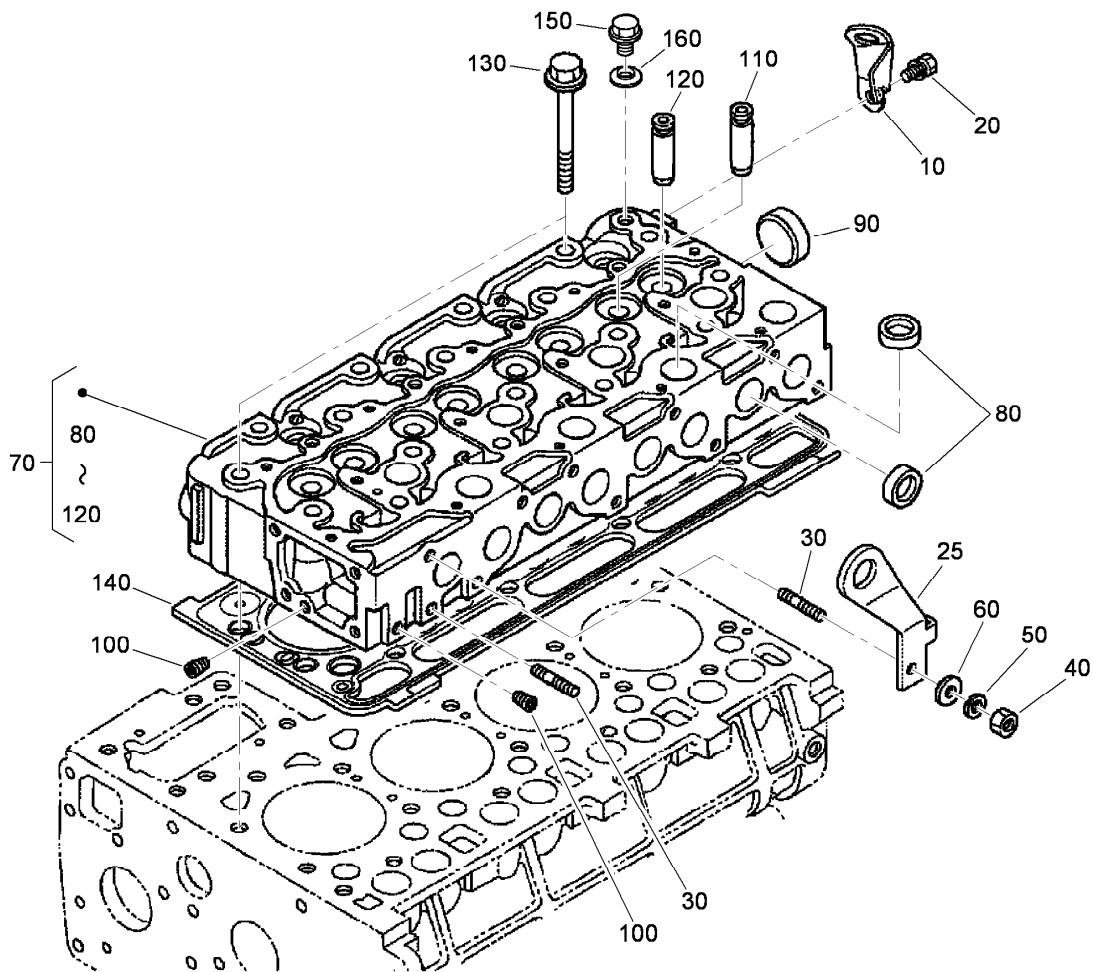
## Crankcase Assembly

<i>Ref.</i>	<i>Part Number</i>	<i>Qty.</i>	<i>Description</i>
10	115-8500	1	Crankcase ASM
20	98-7487	2	Plug
30	107-0107	6	Plug
40	98-9379	2	Plug-Expansion
50	98-9668	3	Plug-Expansion
60	98-7500	6	Cap-Sealing
70	98-7501	2	Cap-Sealing
80	98-7502	2	Pin-Straight
90	98-7503	2	Pin-Straight
100	98-7504	2	Pin-Straight
110	98-7505	1	Pin-Straight
120	98-7506	1	Pin-Pipe
130	100-9153	1	Pipe-Return, Water
140	100-2020	1	Cap-Sealing
150	98-9416	1	Switch-Oil



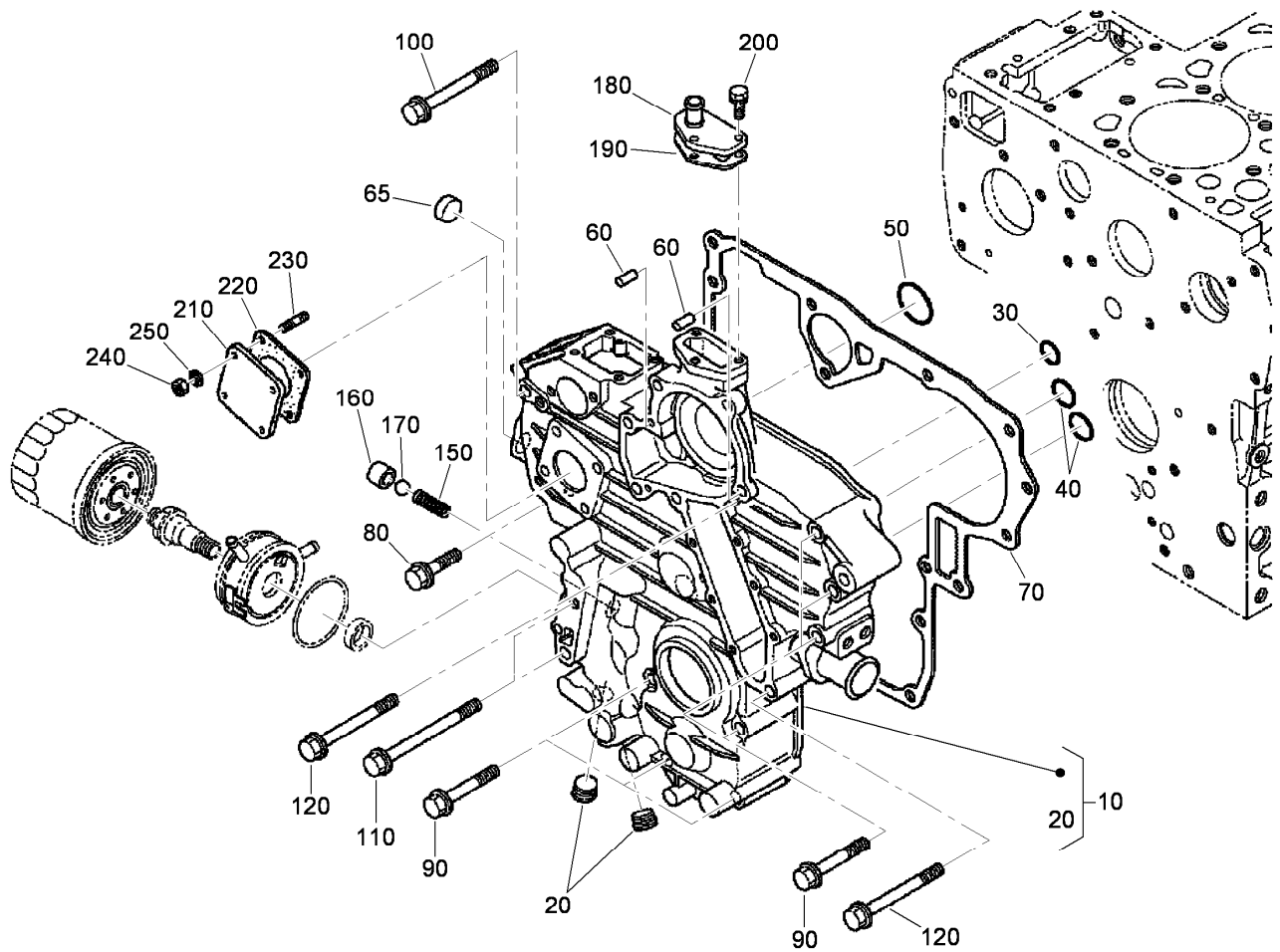
## Oil Pan Assembly

<i>Ref.</i>	<i>Part Number</i>	<i>Qty.</i>	<i>Description</i>
10	115-8501	1	Oil Pan ASM
20	108-7053	1	Gasket-Pan, Oil
30	115-8502	24	Bolt-Flange
40	98-9686	2	Plug-Drain
50	98-9399	2	Gasket
60	115-8503	1	Filter-Oil
70	115-8504	1	Bolt-Flange
80	108-7054	1	O-Ring



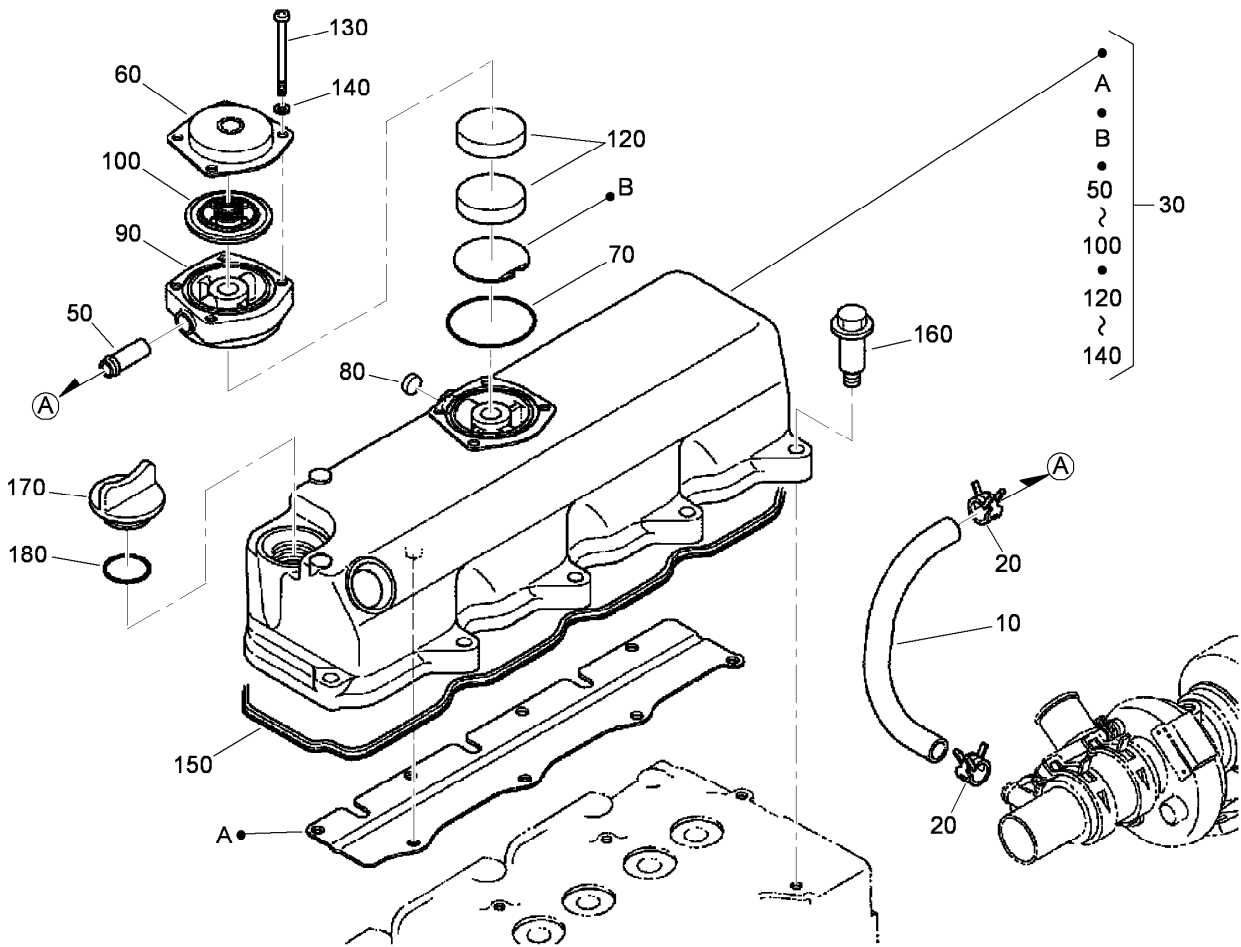
## Cylinder Head Assembly

<i>Ref.</i>	<i>Part Number</i>	<i>Qty.</i>	<i>Description</i>
10	98-7530	1	Hook-Engine
20	98-7526	1	Bolt
25	115-8505	1	Hook
30	115-8506	2	Stud
40	98-7534	1	Nut
50	105-2893	1	Washer-Spring
60	98-7536	1	Washer-Plain
70	115-8507	1	Head-Cylinder
80	98-7538	12	Cap-Sealing
90	98-7539	1	Cap-Sealing
100	98-7540	2	Plug
110	98-7541	4	Guide-Valve, Intake
120	115-8508	4	Guide-Valve, Exhaust
130	98-7543	18	Bolt-Head, Cylinder
140	115-8647	1	Gasket-Head, Cylinder (1.15Mm)
140	115-8510	1	Gasket-Head, Cylinder (1.25Mm)
140	115-8511	1	Gasket-Head, Cylinder (1.30Mm)
140	115-8512	1	Gasket-Head, Cylinder (1.35Mm)
150	115-8509	1	Gasket-Head, Cylinder (1.20Mm)
150	98-7762	1	Plug
160	98-7763	1	Washer-W/Rubber



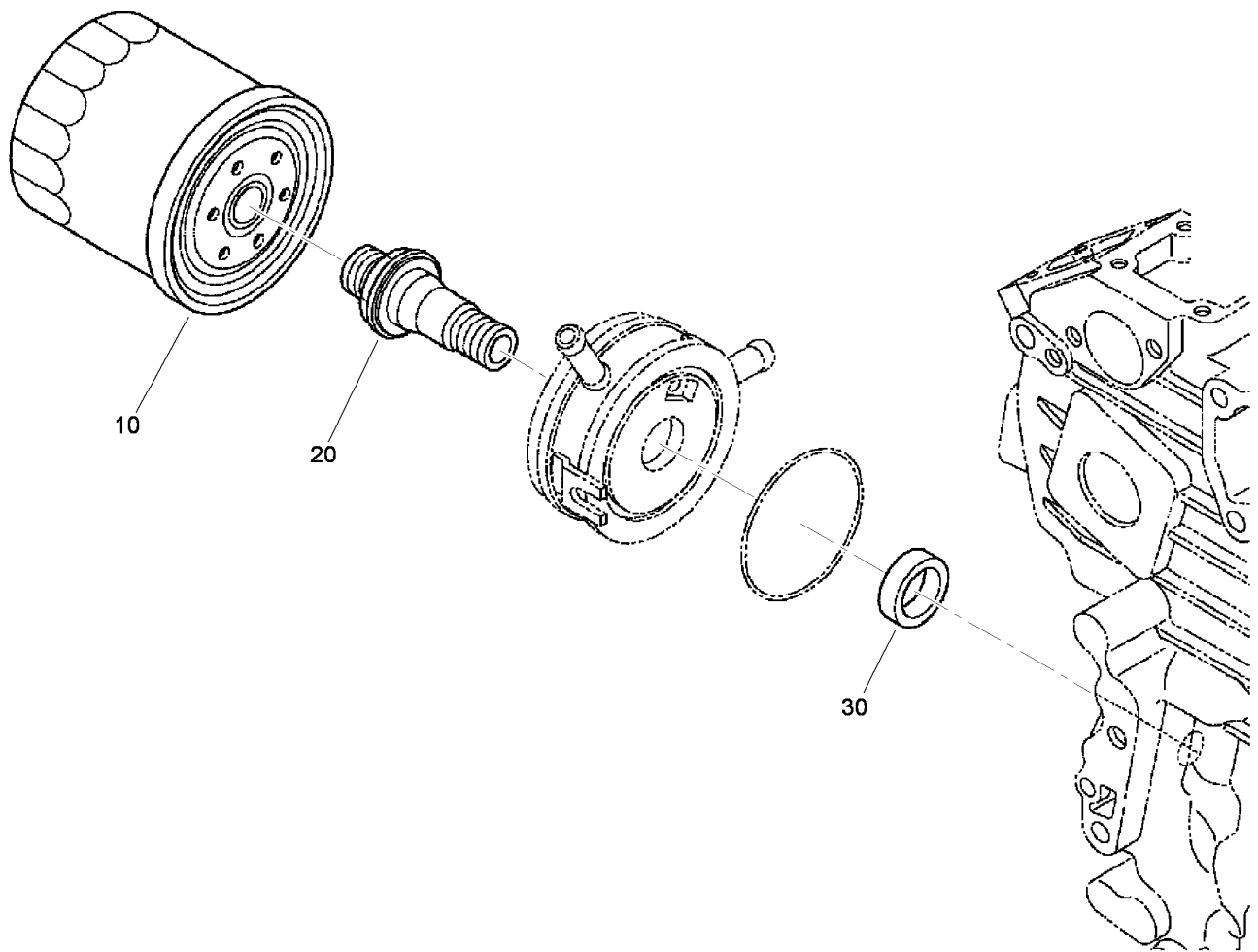
## Gear Case Assembly

<i>Ref.</i>	<i>Part Number</i>	<i>Qty.</i>	<i>Description</i>
10	115-8513	1	Gear Case ASM
20	98-9598	2	Plug
30	107-0104	1	O-Ring
40	115-8514	2	O-Ring
50	107-0106	1	O-Ring
60	98-7504	2	Pin-Straight
65	115-8515	1	Cap-Sealing
70	115-8516	1	Gasket-Case, Gear
80	108-7085	1	Bolt-Flange
90	115-8517	7	Bolt-Flange
100	115-8518	1	Bolt-Flange
110	115-8519	2	Bolt-Flange
120	115-8520	4	Bolt-Flange
150	98-7563	1	Spring
160	98-7564	1	Seat-Valve
170	98-7565	1	Ball
180	98-7566	1	Flange-Return, Water
190	115-8521	1	Gasket-Flange, Return
200	98-7568	3	Bolt
210	98-7569	1	Cover
220	115-8522	1	Gasket-Meter, Hour
230	98-7571	4	Stud
240	98-7572	4	Nut
250	98-9367	4	Washer-Spring



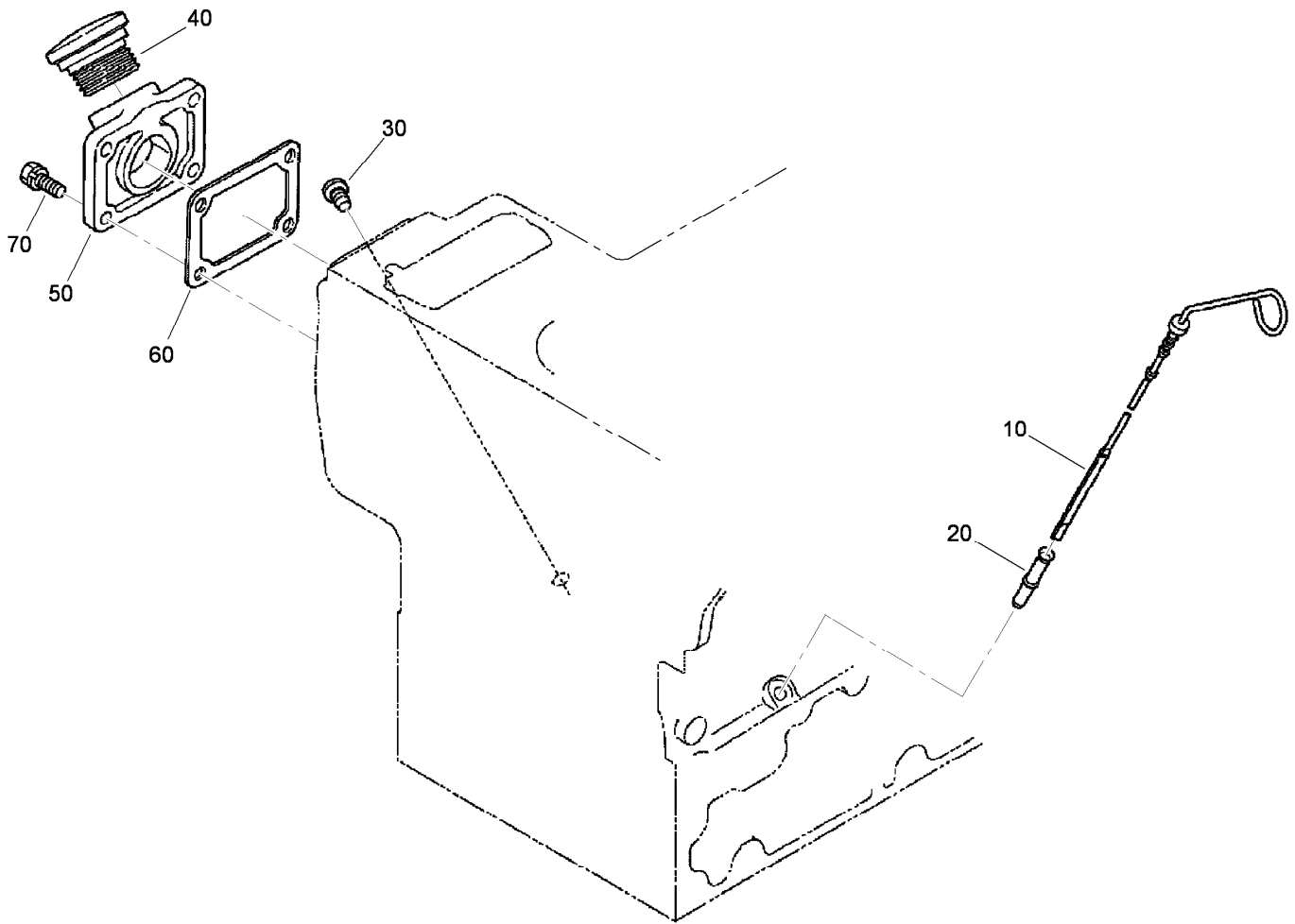
## Cylinder Head Cover Assembly

<i>Ref.</i>	<i>Part Number</i>	<i>Qty.</i>	<i>Description</i>
10	115-8523	1	Tube-Breather, Turbo
20	115-8524	2	Clamp-Hose
30	115-8525	1	Cylinder Head Cover ASM
50	98-7766	1	Pipe-Return, Water
60	110-3714	1	Cover-Breather
70	108-7061	1	O Ring-Breather
80	115-3042	1	Cap-Sealing
90	115-8526	1	Spacer-Breather
100	110-3715	1	Valve-Breather
120	98-9493	2	Element-Breather
130	115-3044	4	Screw-Pan Head
140	100-2204	4	Washer-Spring
150	108-7062	1	Gasket-Cover, Head
160	108-7063	10	Bolt
170	98-9449	1	Plug-Filler, Oil
180	108-7064	1	O-Ring



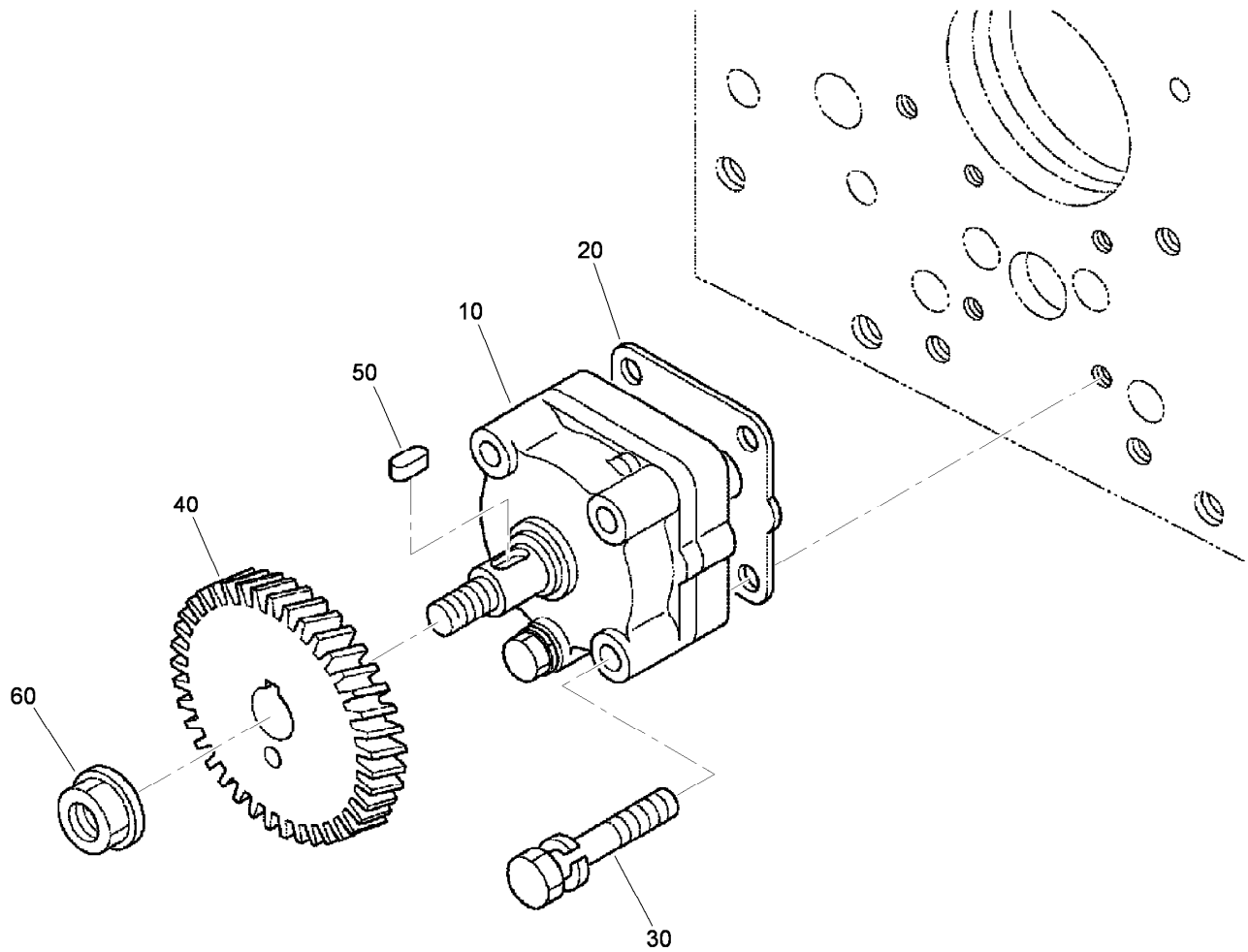
## Oil Filter Assembly

<i>Ref.</i>	<i>Part Number</i>	<i>Qty.</i>	<i>Description</i>
10	115-8527	1	Cartridge-Filter, Oil
20	115-8528	1	Connector
30	115-8529	1	Collar



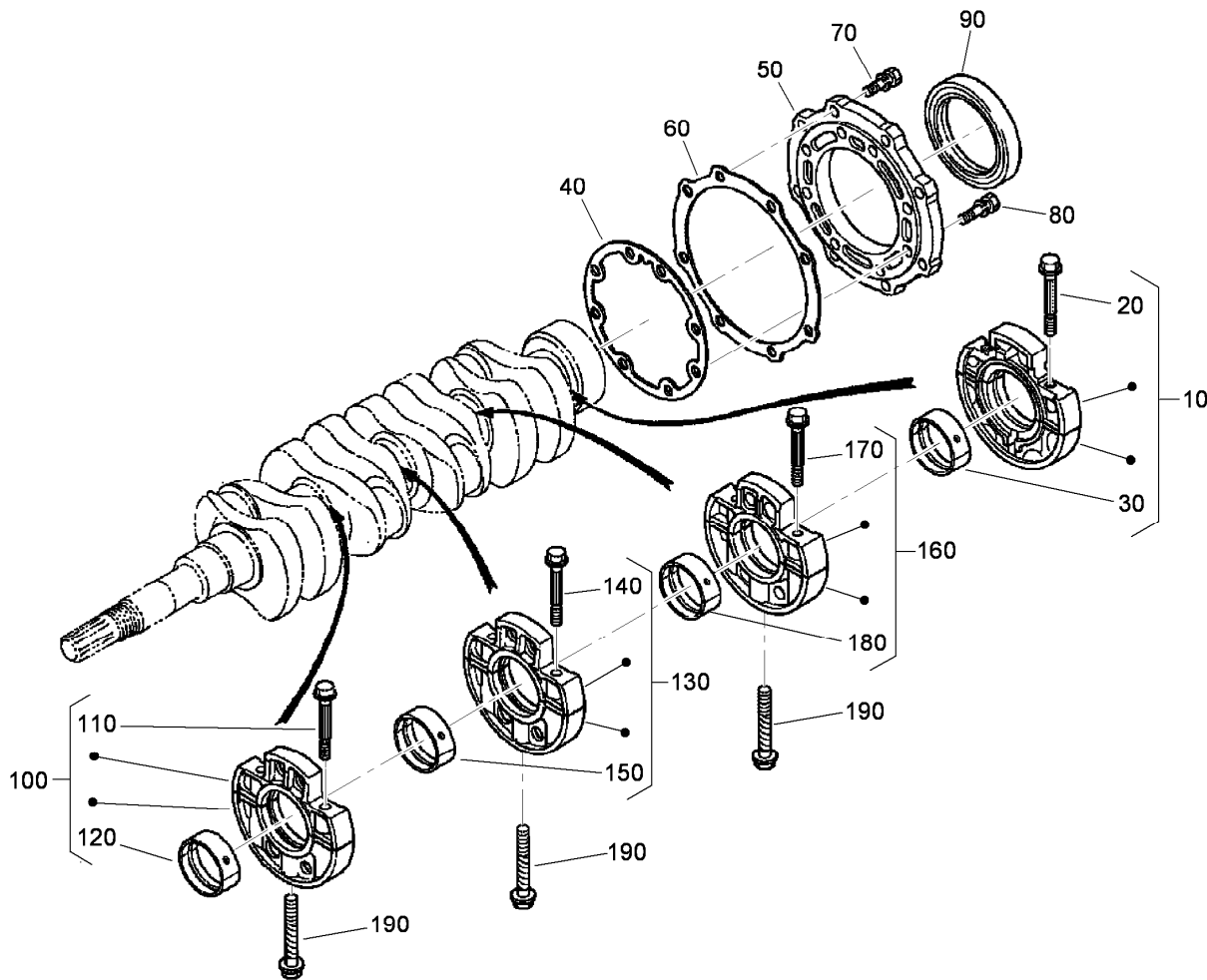
## Dipstick and Guide Assembly

<i>Ref.</i>	<i>Part Number</i>	<i>Qty.</i>	<i>Description</i>
10	115-8530	1	Gauge-Oil
20	105-4580	1	Guide-Gauge, Oil
30	110-3720	1	Plug-Gauge, Oil
40	115-8531	1	Plug-Filler, Oil
50	115-8532	1	Flange-Filler, Oil
60	98-7604	1	Gasket-Cover, Pump
70	98-7605	4	Bolt



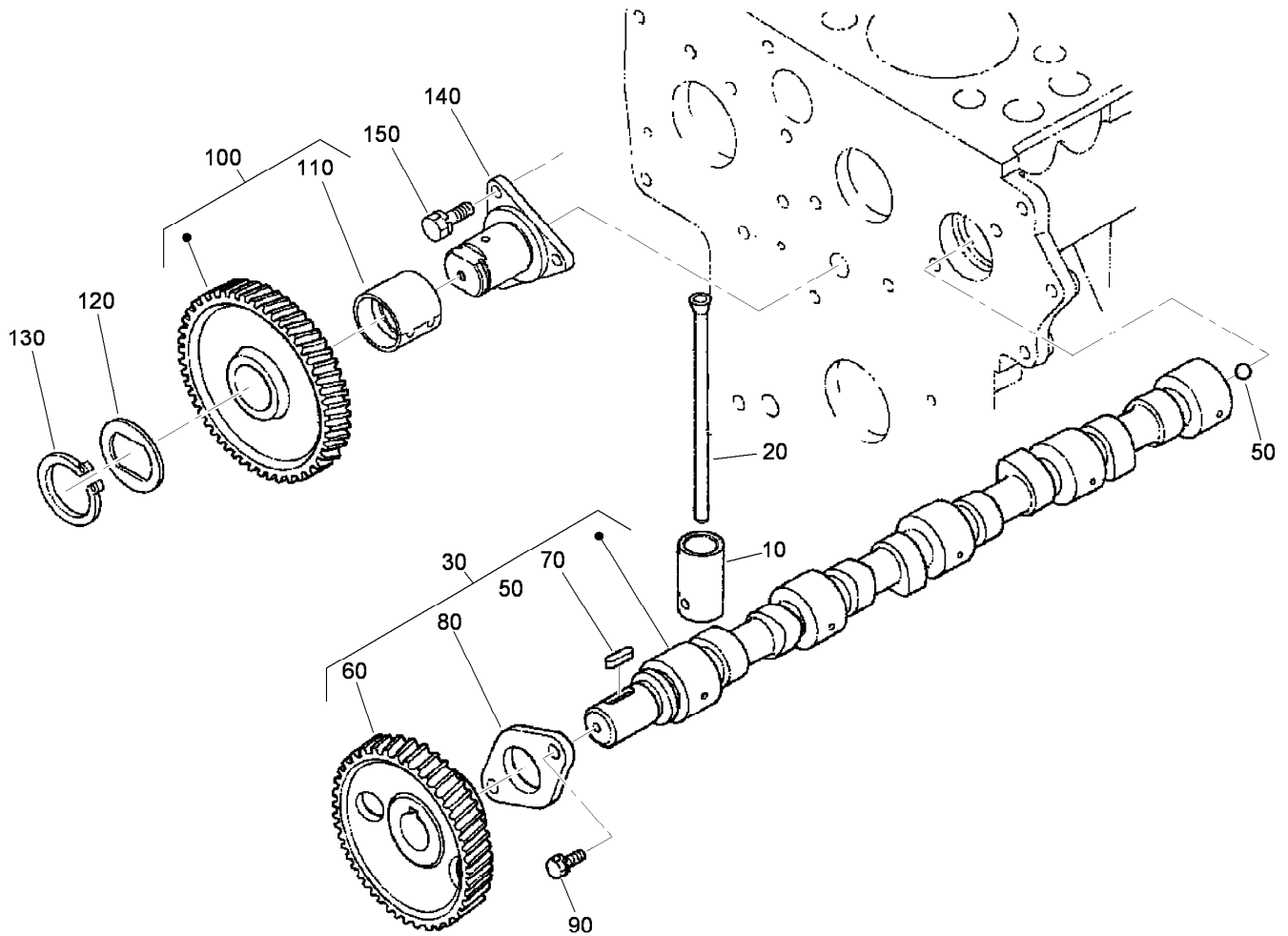
## Oil Pump Assembly

<i>Ref.</i>	<i>Part Number</i>	<i>Qty.</i>	<i>Description</i>
10	98-7512	1	Oil Pump ASM
20	98-7513	1	Gasket-Pump, Oil
30	105-3797	4	Bolt
40	115-8533	1	Gear-Drive, Oil Pump
50	98-7517	1	Key-Feather
60	98-7518	1	Nut-Flange



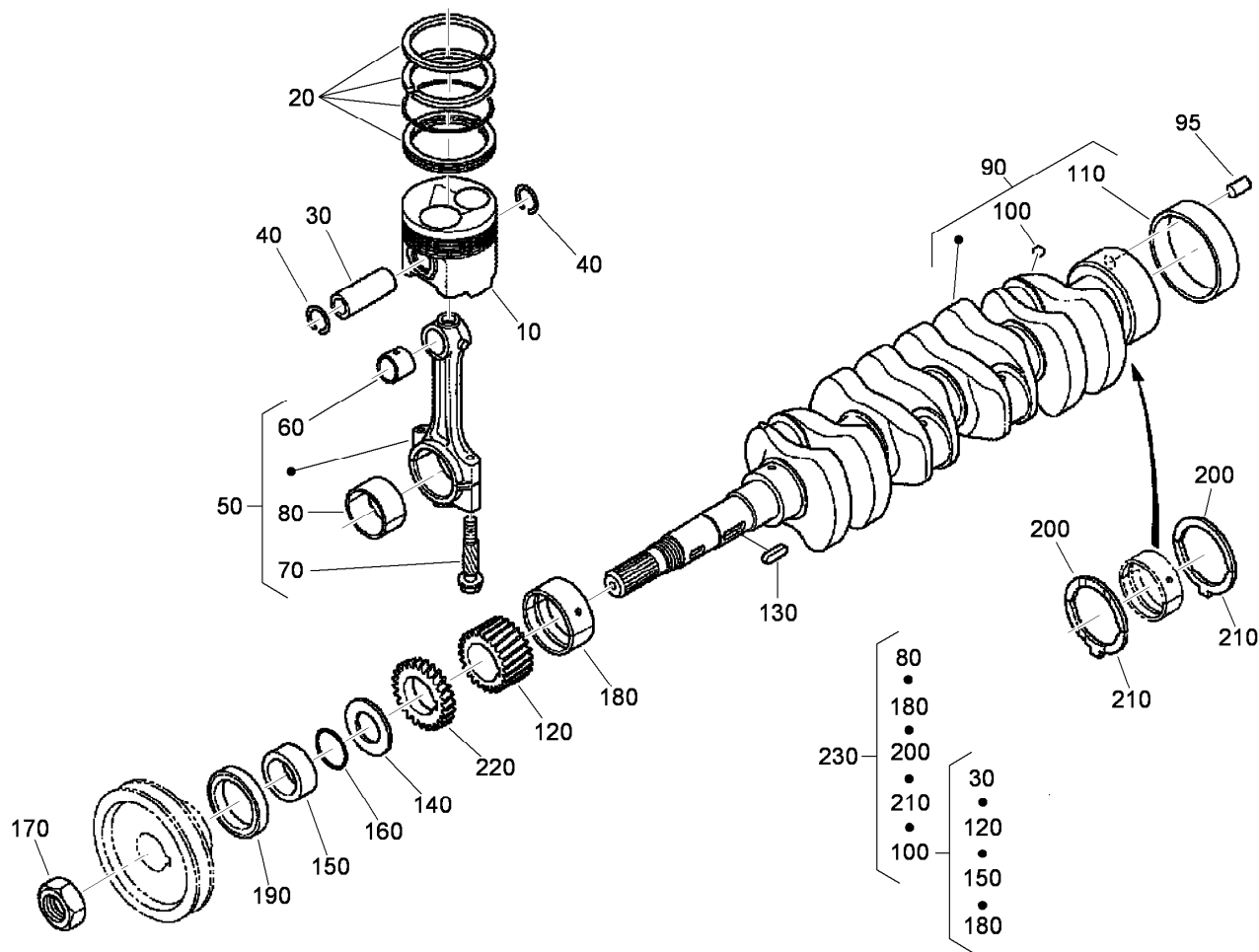
## Main Bearing Case Assembly

<i>Ref.</i>	<i>Part Number</i>	<i>Qty.</i>	<i>Description</i>	<i>Ref.</i>	<i>Part Number</i>	<i>Qty.</i>	<i>Description</i>
10	115-8534	1	Wheel Bearing Case ASM	120	108-7069	1	Metal-Crankshaft (-0.40Mm)
20	108-7066	2	Bolt-Case, Bearing	120	108-7068	1	Metal-Crankshaft (-0.20Mm)
30	108-7068	1	Metal-Crankshaft (-0.20Mm)	120	108-7067	1	Metal-Crankshaft (STD)
30	108-7067	1	Metal-Crankshaft (STD)	130	108-7074	1	Main Bearing Case ASM
30	108-7069	1	Metal-Crankshaft (-0.40Mm)	140	108-7066	2	Bolt-Case, Bearing
40	108-7070	1	Gasket-Case, Bearing	150	108-7069	1	Metal-Crankshaft (-0.40Mm)
50	108-7071	1	Cover-Case, Bearing	150	108-7068	1	Metal-Crankshaft (-0.20Mm)
60	98-7437	1	Gasket-Case Cover, Bearing	150	108-7067	1	Metal-Crankshaft (STD)
70	98-7438	8	Bolt	160	115-8536	1	Main Bearing Case ASM
80	98-7439	8	Bolt	170	108-7066	2	Bolt-Case, Bearing
90	108-7072	1	Seal-Oil	180	108-7067	1	Metal-Crankshaft (STD)
100	115-8535	1	Main Bearing Case ASM	180	108-7068	1	Metal-Crankshaft (-0.20Mm)
110	108-7066	2	Bolt-Case, Bearing	180	108-7069	1	Metal-Crankshaft (-0.40Mm)
				190	98-7444	3	Bolt-Case, Bearing



## Cam Shaft and Idle Gear Assembly

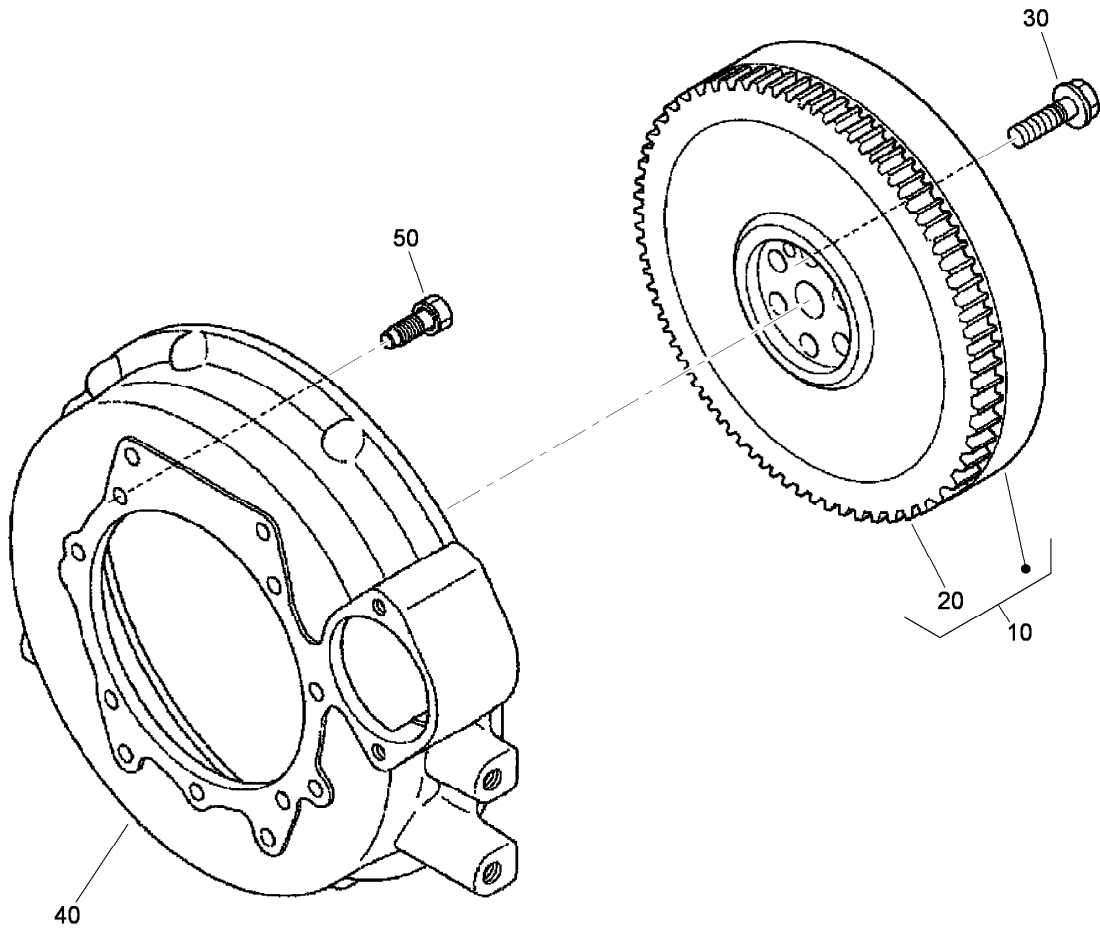
<i>Ref.</i>	<i>Part Number</i>	<i>Qty.</i>	<i>Description</i>
10	98-7445	8	Tappet
20	115-8537	8	Rod-Push
30	115-8538	1	Camshaft ASM
50	110-3729	1	Ball
60	115-8539	1	Gear-Cam
70	98-7451	1	Key-Feather
80	98-7452	1	Stopper-Camshaft
90	98-7453	2	Bolt
100	107-0109	1	Gear-Idler
110	107-0110	1	Bushing-Gear, Idler
120	107-0111	1	Collar
130	107-0112	1	Circlip-External
140	115-8646	1	Shaft-Gear, Idler
150	98-7453	3	Bolt



## Piston and Crankshaft Assembly

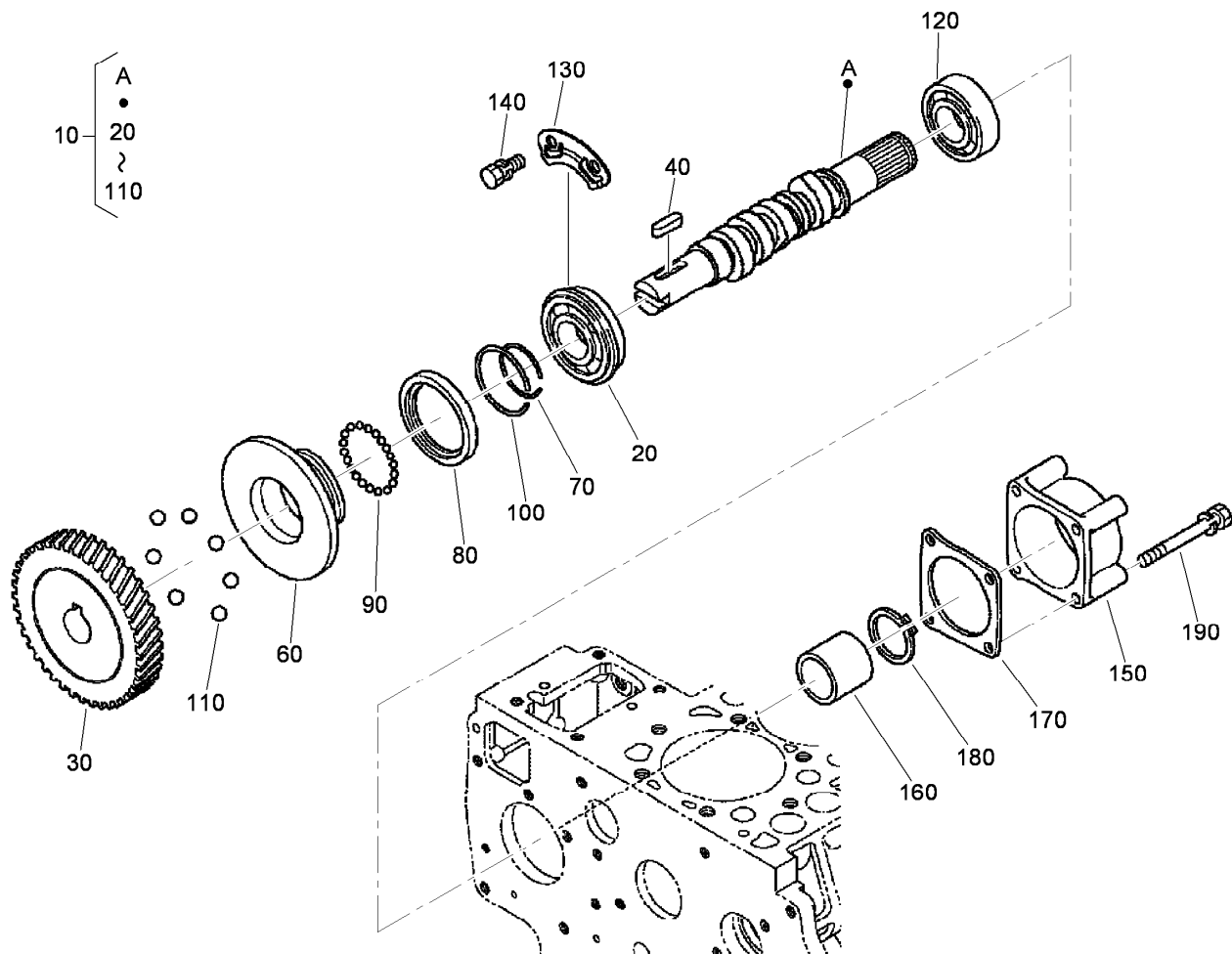
Ref.	Part Number	Qty.	Description
10	115-8540	4	Piston
10	115-8541	4	Piston
20	115-8543	1	Piston Ring ASM
20	115-8542	4	Piston Ring ASM
30	115-8544	4	Pin-Piston
40	112-7002	8	Circlip
50	115-8545	4	Connecting Rod ASM
60	115-8546	4	Bushing-Pin, Piston
70	98-7468	8	Bolt-Rod, Connecting
80	98-7469	4	Metal-Crankpin (STD)
80	115-8548	4	Metal-Crankpin (-0.40Mm)
80	115-8547	4	Metal-Crankpin (-0.20Mm)
90	115-8549	1	*obs* Crankshaft
95	115-8550	1	Pin-Straight
100	110-3729	4	Ball
110	98-7474	1	Sleeve-Crankshaft
120	115-8551	1	Gear-Crank
130	115-8552	1	Key-Feather
140	98-7476	1	Slinger-Oil

Ref.	Part Number	Qty.	Description
150	98-7477	1	Collar-Crankshaft
160	98-7478	1	O-Ring
170	98-7479	1	Nut-Crankshaft
180	108-7075	1	Metal-Crankshaft (STD)
180	108-7076	1	Metal-Crankshaft (-0.20Mm)
180	108-7077	1	Metal-Crankshaft (-0.40Mm)
190	98-7480	1	Seal-Oil
200	108-7078	2	Metal-Side (STD)
200	108-7079	2	Metal-Side (+0.20Mm)
200	108-7080	2	Metal-Side (+0.40Mm)
210	108-7081	2	Metal-Side (STD)
210	108-7082	2	Metal-Side (+0.20Mm)
210	108-7083	2	Metal-Side (+0.40Mm)
220	115-8553	1	Gear-Drive, Oil Pump
230	115-8554	1	Engine Metal Kit
230	115-8555	1	Engine Metal Kit (-0.20Mm/+0.20Mm)
230	115-8556	1	Engine Metal Kit (-0.40Mm/+0.40Mm)



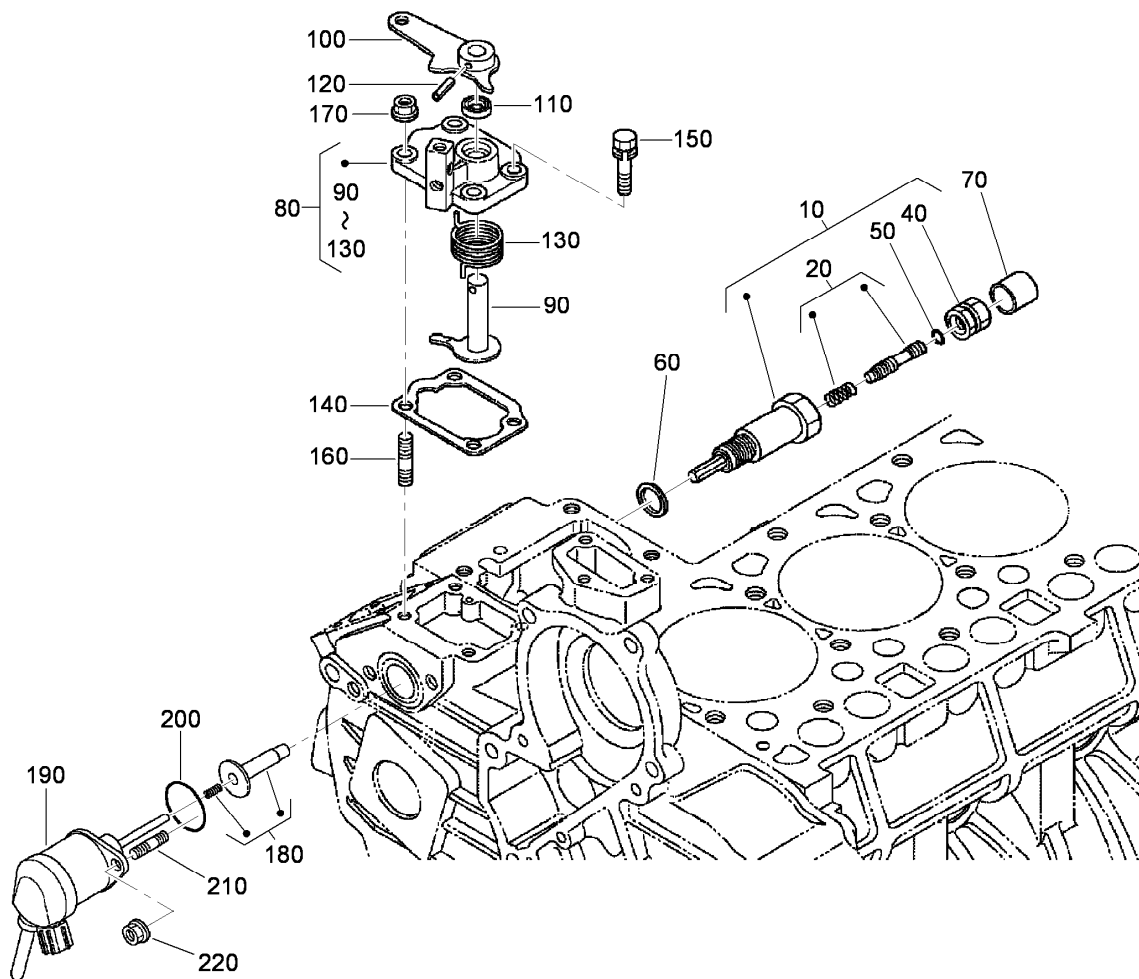
## Flywheel Assembly

<i>Ref.</i>	<i>Part Number</i>	<i>Qty.</i>	<i>Description</i>
10	115-8557	1	Flywheel ASM
20	115-8558	1	Gear-Ring
30	112-8408	6	Bolt-Flywheel
40	115-8559	1	Housing-Flywheel
50	98-7885	11	Bolt



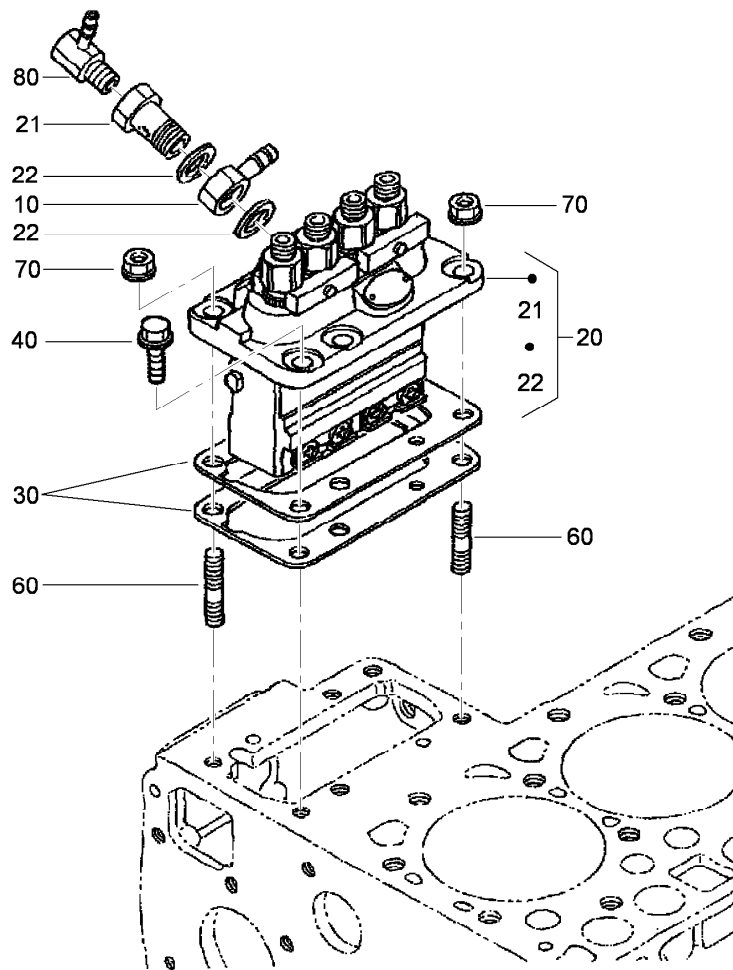
## Fuel Camshaft and Governor Shaft Assembly

<i>Ref.</i>	<i>Part Number</i>	<i>Qty.</i>	<i>Description</i>
10	115-8560	1	Fuel Camshaft ASM
20	115-8561	1	Bearing-Ball
30	98-7574	1	Gear-Pump, Injection
40	98-7575	1	Key-Feather
60	98-7577	1	Sleeve-Governor
70	98-7578	1	Circlip-Sleeve, Governor
80	98-7579	1	Case-Ball, Governor
90	98-7580	39	Ball
100	98-7581	1	Circlip
110	98-7582	7	Ball
120	115-8562	1	Bearing-Ball
130	115-8563	1	Stopper-Fuel Camshaft
140	100-9195	2	Bolt
150	115-8564	1	Cover-Camshaft, Fuel
160	115-8565	1	Collar
170	115-8566	1	Gasket
180	98-7589	1	Circlip-External
190	98-7590	4	Bolt



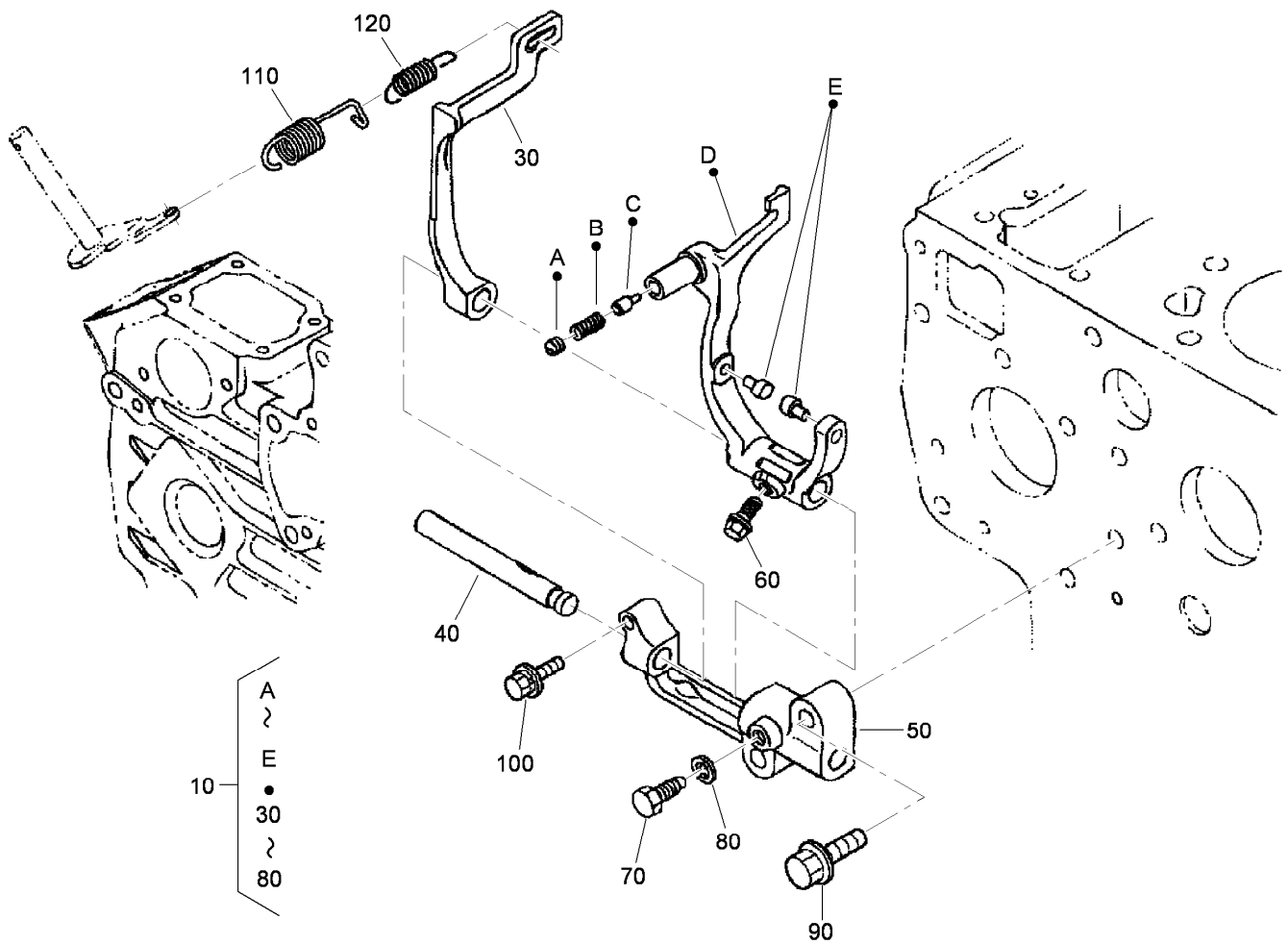
## Idle Apparatus and Stop Solenoid Assembly

<i>Ref.</i>	<i>Part Number</i>	<i>Qty.</i>	<i>Description</i>
10	115-8567	1	Apparatus-Idling
20	115-8568	1	Adjustment Bolt ASM
40	115-8569	1	Nut-Spring
50	115-8570	1	O-Ring
60	115-8571	1	Gasket
70	115-8572	1	Cap
80	115-8573	1	Engine Stop Lever ASM
90	115-8574	1	Lever-Stop
100	115-8575	1	Lever-Stop, Engine
110	115-8576	1	Seal-Oil
120	98-7602	1	Pin-Spring
130	115-8577	1	Spring-Return
140	115-8578	1	Gasket-Plate
150	98-7568	2	Bolt
160	98-7571	2	Stud
170	100-2203	2	Nut-Flange
180	115-8579	1	Guide-Solenoid
190	115-8580	1	Solenoid ASM
200	110-3762	1	O-Ring
210	98-7571	2	Stud
220	100-2203	2	Nut-Flange



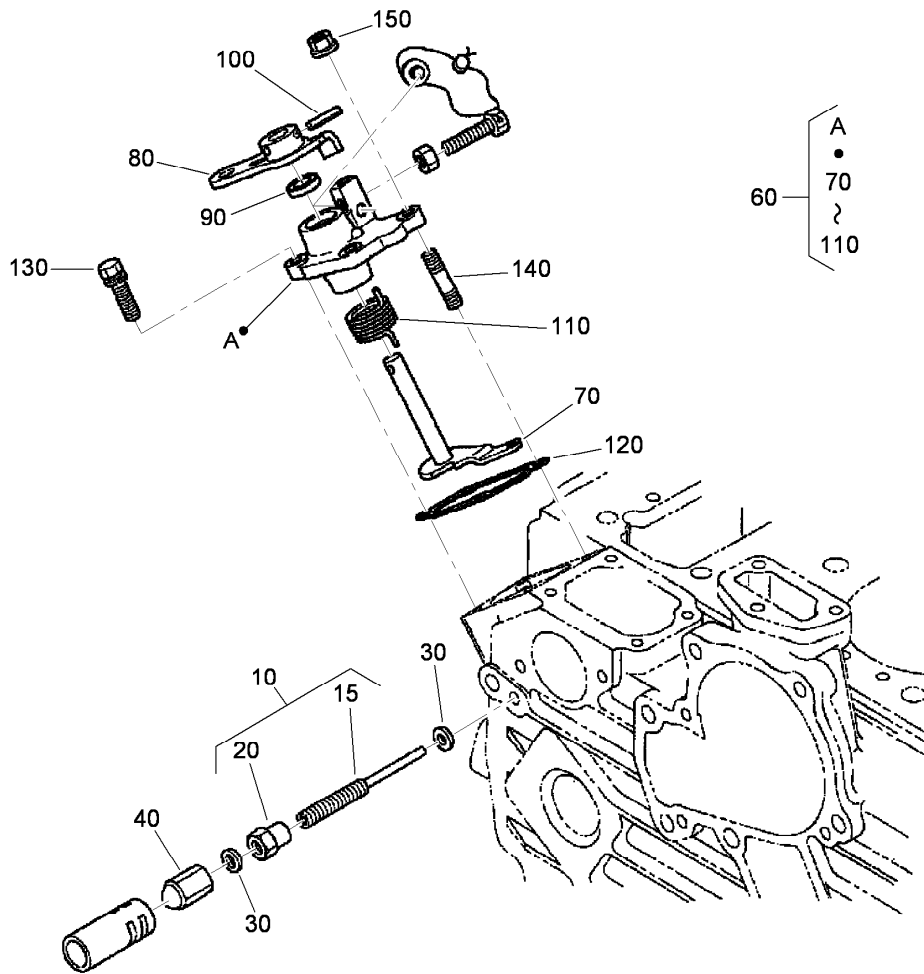
## Injection Pump Assembly

<i>Ref.</i>	<i>Part Number</i>	<i>Qty.</i>	<i>Description</i>
10	98-7617	1	Joint
20	115-8581	1	Injection Pump ASM
21	98-7635	1	Screw
22	98-7636	2	Gasket
30	115-8582	1	Shim-Pump, Injection (0.175Mm)
30	98-7607	1	Shim-Pump, Injection (0.200Mm)
30	107-0147	1	Shim-Pump, Injection (0.250Mm)
30	107-0148	1	Shim-Pump, Injection (0.300Mm)
40	115-8583	4	Bolt-Flange
60	100-1558	2	Stud
70	112-2492	2	Nut-Flange
80	107-4300	1	Orifice ASM



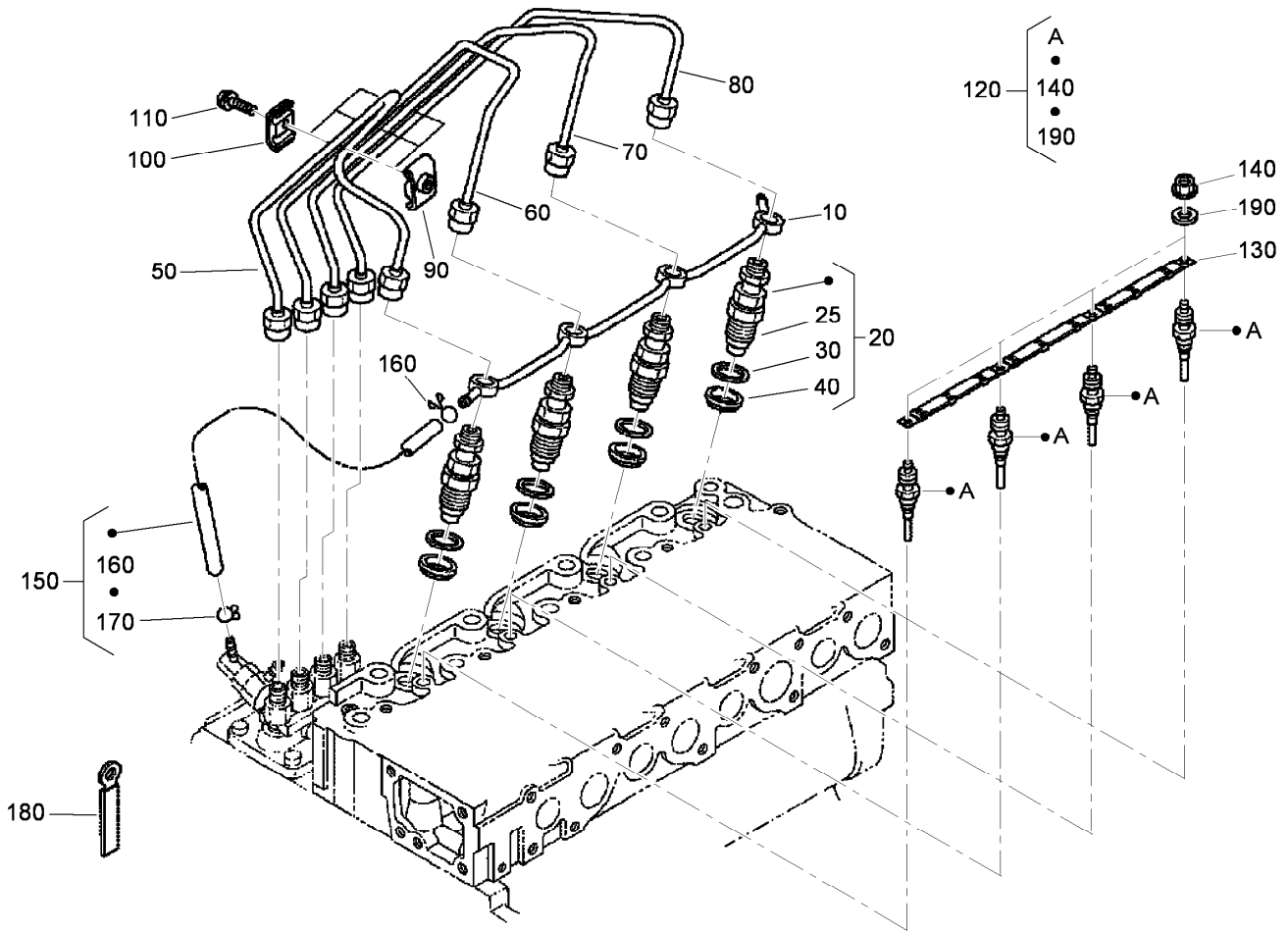
## Governor Assembly

<i>Ref.</i>	<i>Part Number</i>	<i>Qty.</i>	<i>Description</i>
10	115-8584	1	Fork Lever ASM
30	115-8585	1	Lever-Fork
40	107-0120	1	Shaft-Lever, Fork
50	98-7643	1	Holder-Lever, Fork
60	107-0116	1	Bolt-Flange
70	98-7644	1	Bolt
80	98-9367	1	Washer-Spring
90	108-7085	2	Bolt-Flange
100	108-7086	1	Bolt
110	115-8586	1	Spring-Governor
120	115-8587	1	Spring-Governor



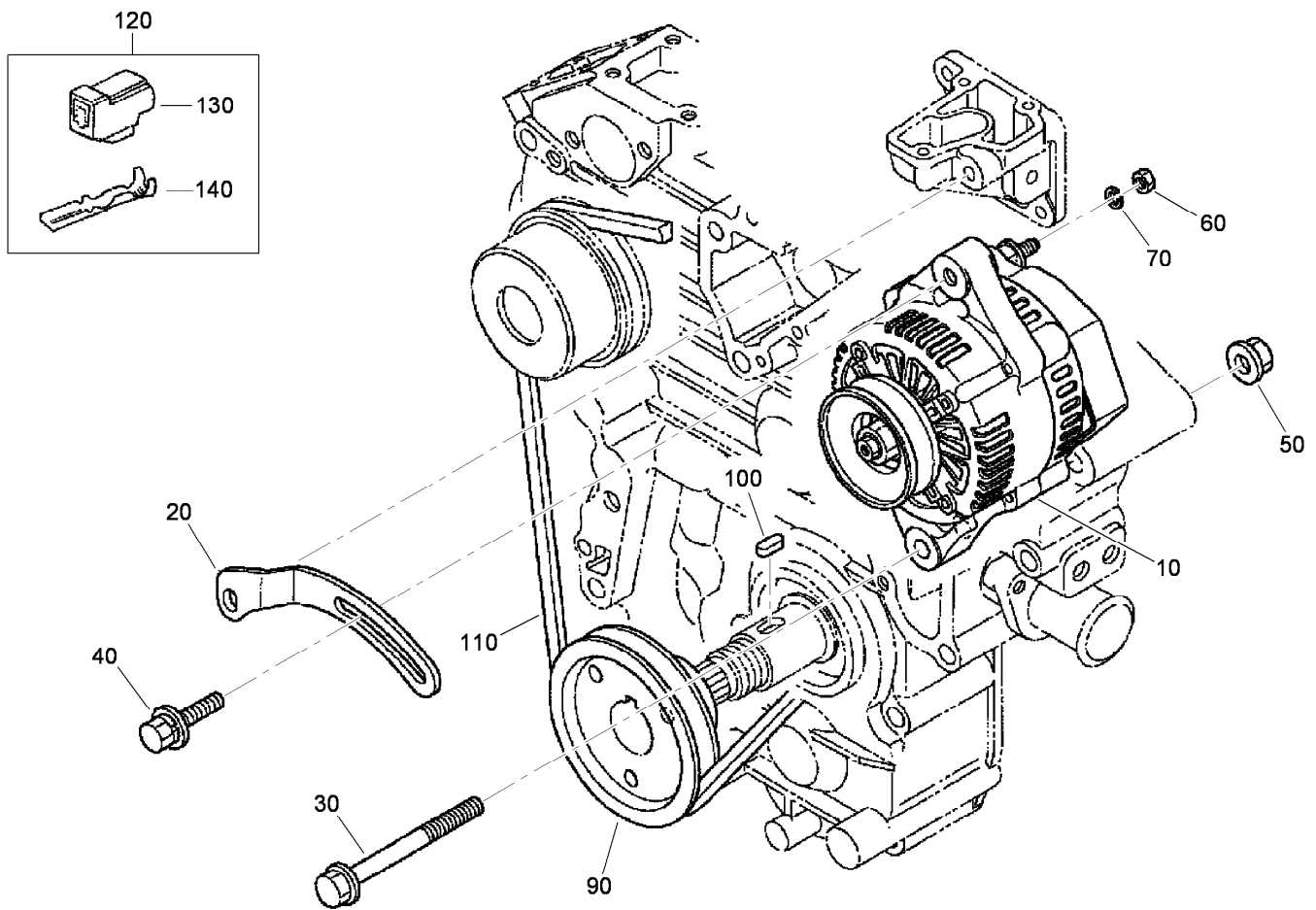
## Speed Control Plate Assembly

<i>Ref.</i>	<i>Part Number</i>	<i>Qty.</i>	<i>Description</i>
10	107-0132	1	Adjustable Bolt ASM
15	115-8588	1	Bolt-Adjusting
20	98-7653	1	Nut
30	98-7654	2	Gasket
40	98-7655	1	Nut-Cap
60	115-8589	1	Control Plate ASM
70	115-8590	1	Lever-Governor
80	115-8591	1	Lever-Control, Speed
90	115-8576	1	Seal-Oil
100	98-7602	1	Pin-Spring
110	115-8593	1	Spring-Return
120	115-8578	1	Gasket-Plate
130	98-7568	2	Bolt
140	98-7571	2	Stud
150	100-2203	2	Nut-Flange



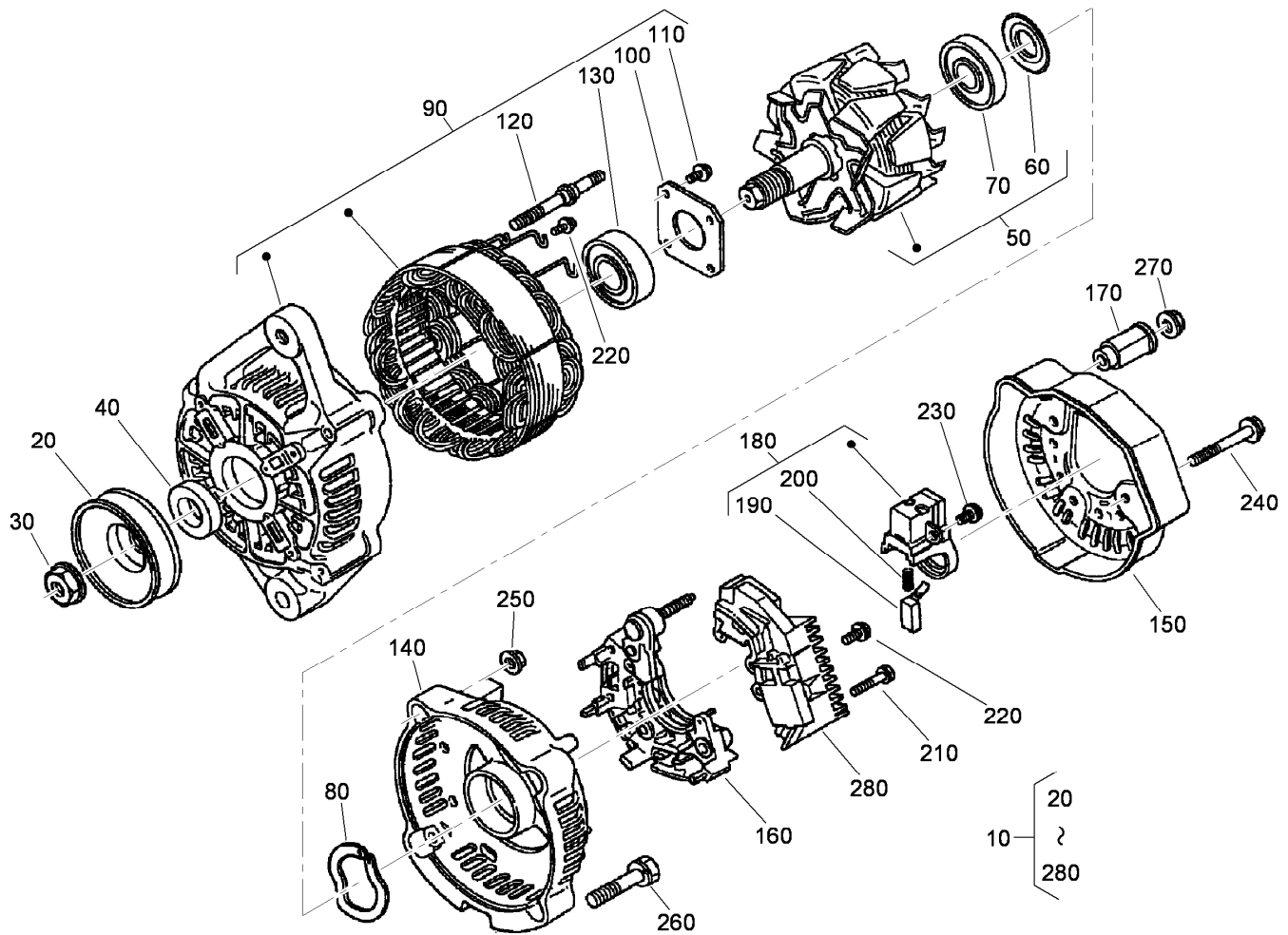
## Nozzle Holder and Glow Plug Assembly

Ref.	Part Number	Qty.	Description
10	100-9213	1	Overflow Pipe ASM
20	100-9214	4	Nozzle Holder Kit
25	100-9215	4	Piece-Nozzle
30	98-7676	4	Gasket
40	98-7677	4	Seal-Heat
50	100-9216	1	Pipe-Injection
60	100-9217	1	Pipe-Injection
70	100-9218	1	Pipe-Injection
80	100-9219	1	Pipe-Injection
90	98-7682	3	Clamp-Pipe
100	98-7683	3	Clamp-Pipe
110	98-9364	3	Screw (With Washer)
120	98-7685	4	Plug-Glow
130	98-7686	1	Cord-Plug, Glow
140	99-8377	4	Nut-Flange
150	98-7670	1	Overflow Pipe ASM
160	98-7671	1	Clip-Pipe
170	115-8595	1	Clip-Pipe
180	98-7673	1	Clamp-Cord
190	99-8378	4	Washer-Plain



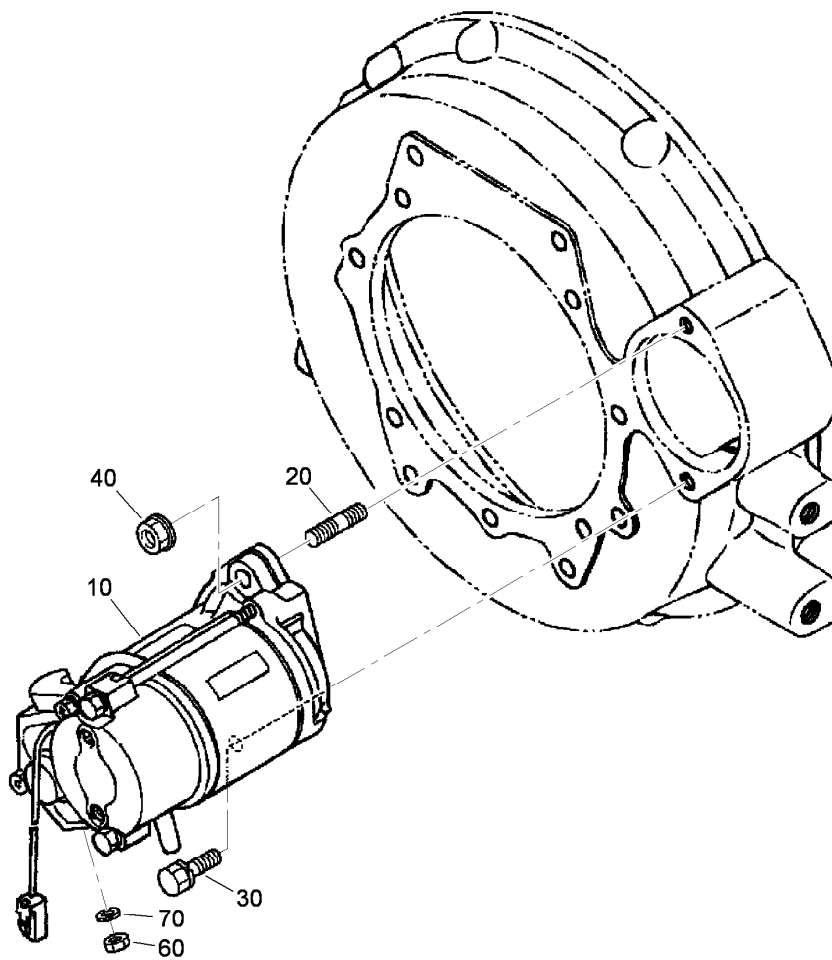
## Alternator and Pulley Assembly

<i>Ref.</i>	<i>Part Number</i>	<i>Qty.</i>	<i>Description</i>
10	98-7693	1	Alternator ASM
20	105-2872	1	Bracket-Alternator
30	115-8596	1	Bolt-Flange
40	108-7088	1	Bolt
50	115-8597	1	Nut-Flange
60	98-7572	1	Nut
70	98-7699	1	Washer-Spring
90	115-8598	1	Pulley-Drive, Fan
100	98-7451	1	Key-Feather
110	115-8599	1	Belt-V
120	115-8600	1	Coupler ASM
130	115-8601	1	Connector
140	115-8602	2	Terminal



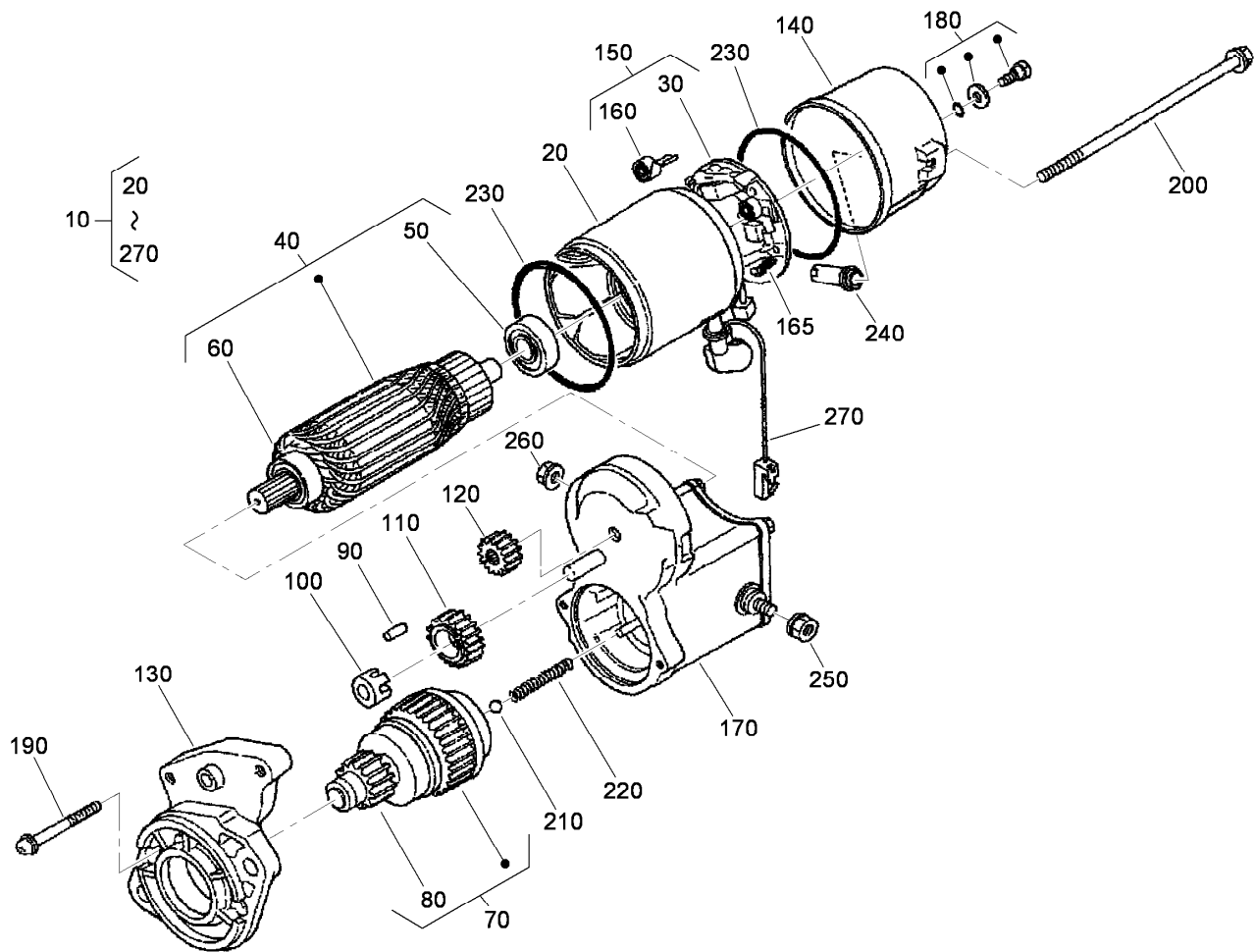
## Alternator Component Part Assembly

<i>Ref.</i>	<i>Part Number</i>	<i>Qty.</i>	<i>Description</i>	<i>Ref.</i>	<i>Part Number</i>	<i>Qty.</i>	<i>Description</i>
10	98-7693	1	Alternator ASM	150	107-0140	1	Cover-End
20	98-7707	1	Pulley-Alternator	160	98-7721	1	Rectifier ASM
30	98-7708	1	Nut	170	98-7722	1	Bushing-Insulation
40	98-7709	1	Collar	180	107-0141	1	Brush Holder ASM
50	107-0136	1	Rotor ASM	190	98-7724	2	Brush
60	98-7711	1	Cover-Bearing	200	98-7725	2	Spring-Brush
70	107-0138	1	Bearing-Ball	210	98-7726	2	Screw-Head, Round
80	98-7713	1	Washer-Thrust	220	98-7727	6	Screw-Head, Round
90	107-0139	1	Drive End Frame ASM	230	98-7728	1	Screw-Head, Round
100	98-7715	1	Plate-Retainer	240	98-7729	3	Bolt
110	98-7716	4	Screw-Head, Round	250	98-7730	2	Nut
120	98-7717	2	Bolt-Through	260	98-7731	2	Bolt
130	107-0137	1	Bearing-Ball	270	98-7732	1	Nut
140	98-7719	1	Frame-End	280	110-3799	1	Regulator ASM



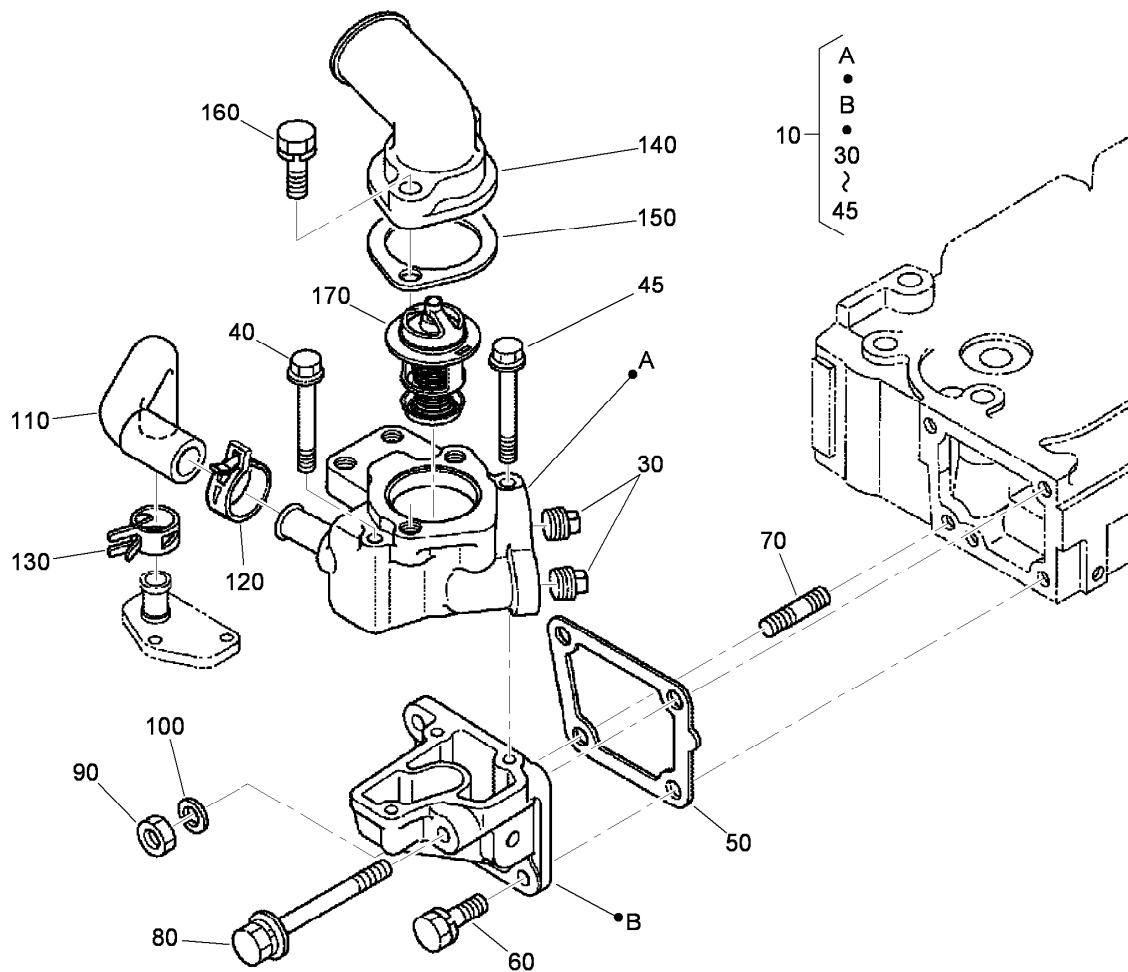
## Starter Assembly

<i>Ref.</i>	<i>Part Number</i>	<i>Qty.</i>	<i>Description</i>
10	115-8603	1	Starter ASM
20	98-7735	1	Stud
30	98-7736	1	Bolt
40	115-8597	1	Nut-Flange
60	98-7739	1	Nut
70	105-2893	1	Washer-Spring



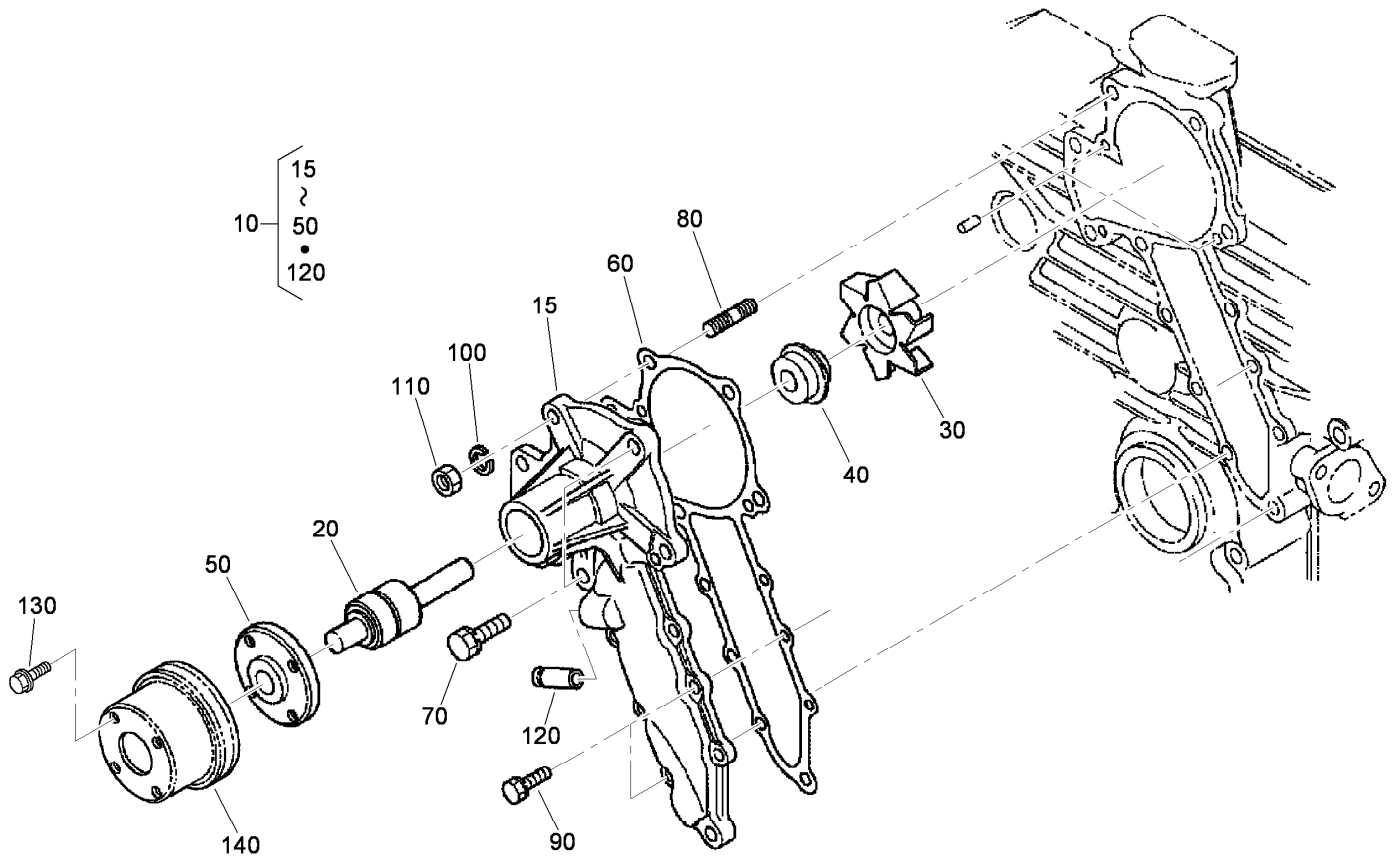
## Starter Component Assembly

<i>Ref.</i>	<i>Part Number</i>	<i>Qty.</i>	<i>Description</i>	<i>Ref.</i>	<i>Part Number</i>	<i>Qty.</i>	<i>Description</i>
10	115-8603	1	Starter ASM	150	115-8612	1	Holder-Brush
20	115-8604	1	Yoke	160	115-8613	4	Spring
30	115-8605	1	Brush Kit	165	115-8614	4	Spring-Brush
40	115-8606	1	Armature	170	115-8615	1	Magnetic Switch ASM
50	115-8607	1	Bearing	180	115-8616	2	Screw
60	98-7744	1	Bearing	190	115-8617	2	Screw
70	115-8608	1	Clutch-Running, Over	200	115-8618	2	Bolt-Thru
80	112-2833	1	Gear-Pinion	210	98-7755	1	Ball
90	98-9707	5	Roller	220	98-7754	1	Spring
100	98-7752	1	Retainer	230	98-7757	2	O-Ring
110	98-7751	1	Gear	240	115-8619	1	Pipe-Drain
120	115-8609	1	Gear	250	98-7760	1	Nut-Hex
130	115-8610	1	Frame-End, Drive	260	99-8376	1	Nut-Hex
140	115-8611	1	Frame-End	270	98-9711	1	Cord-Solenoid, Stop



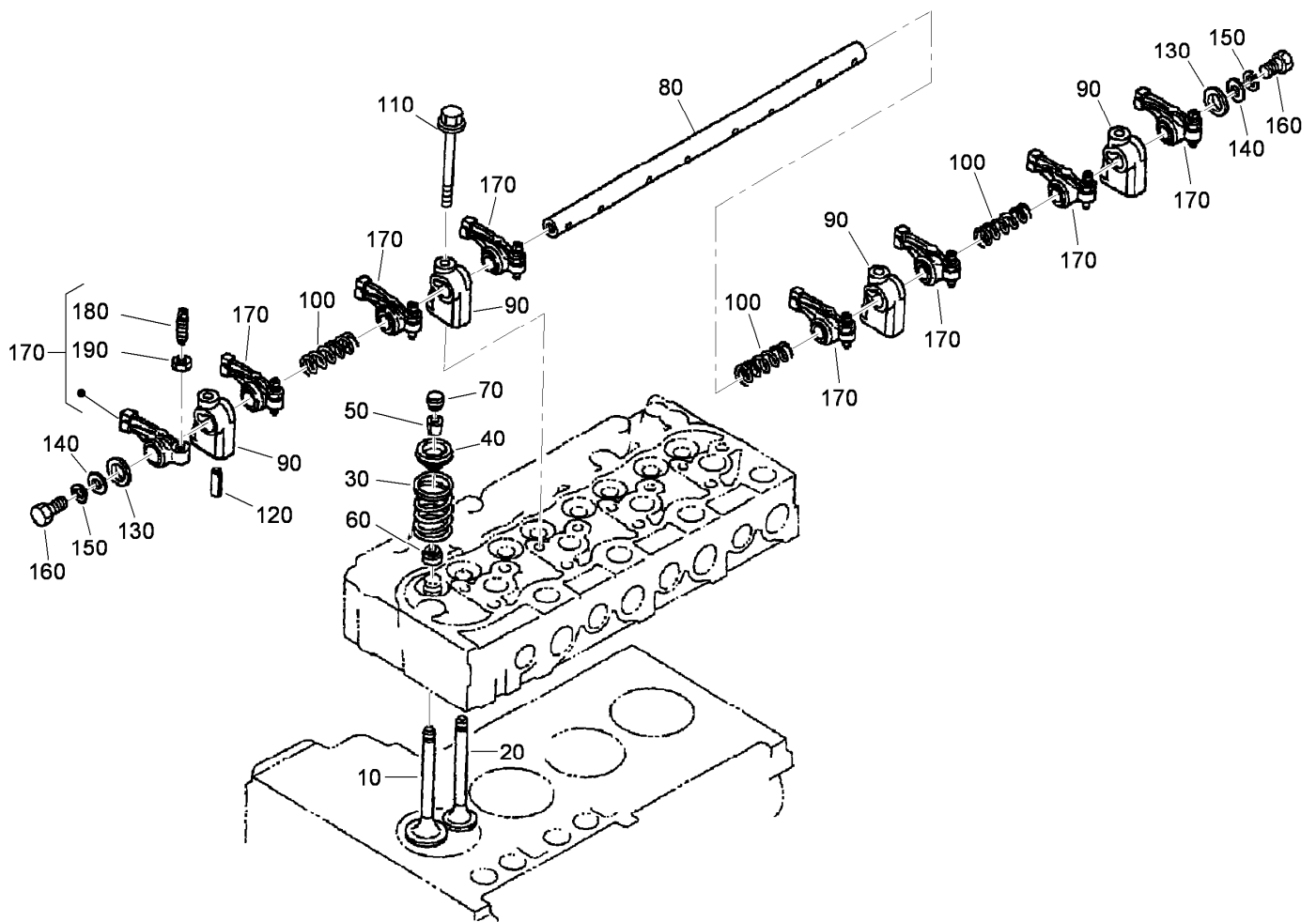
## Water Flange and Thermostat Assembly

<i>Ref.</i>	<i>Part Number</i>	<i>Qty.</i>	<i>Description</i>
10	105-4578	1	Water Flange ASM
30	105-2874	2	Plug
40	105-2875	2	Bolt-Flange
40	105-2875	3	Bolt-Flange
45	107-0117	1	Bolt-Flange
45	107-0117	1	Bolt-Flange
50	98-7767	1	Gasket-Flange, Water
60	98-9359	2	Bolt
70	100-1558	1	Stud
80	107-0115	1	Bolt
90	98-7534	1	Nut
100	105-2893	1	Washer-Spring
110	115-8620	1	Pipe-Return, Water
120	115-8621	1	Clamp-Hose
130	105-2879	1	Clamp-Hose
140	100-9244	1	Cover-Thermostat
150	105-3748	1	Gasket-Thermostat
160	98-7777	2	Bolt
170	105-2881	1	Thermostat ASM



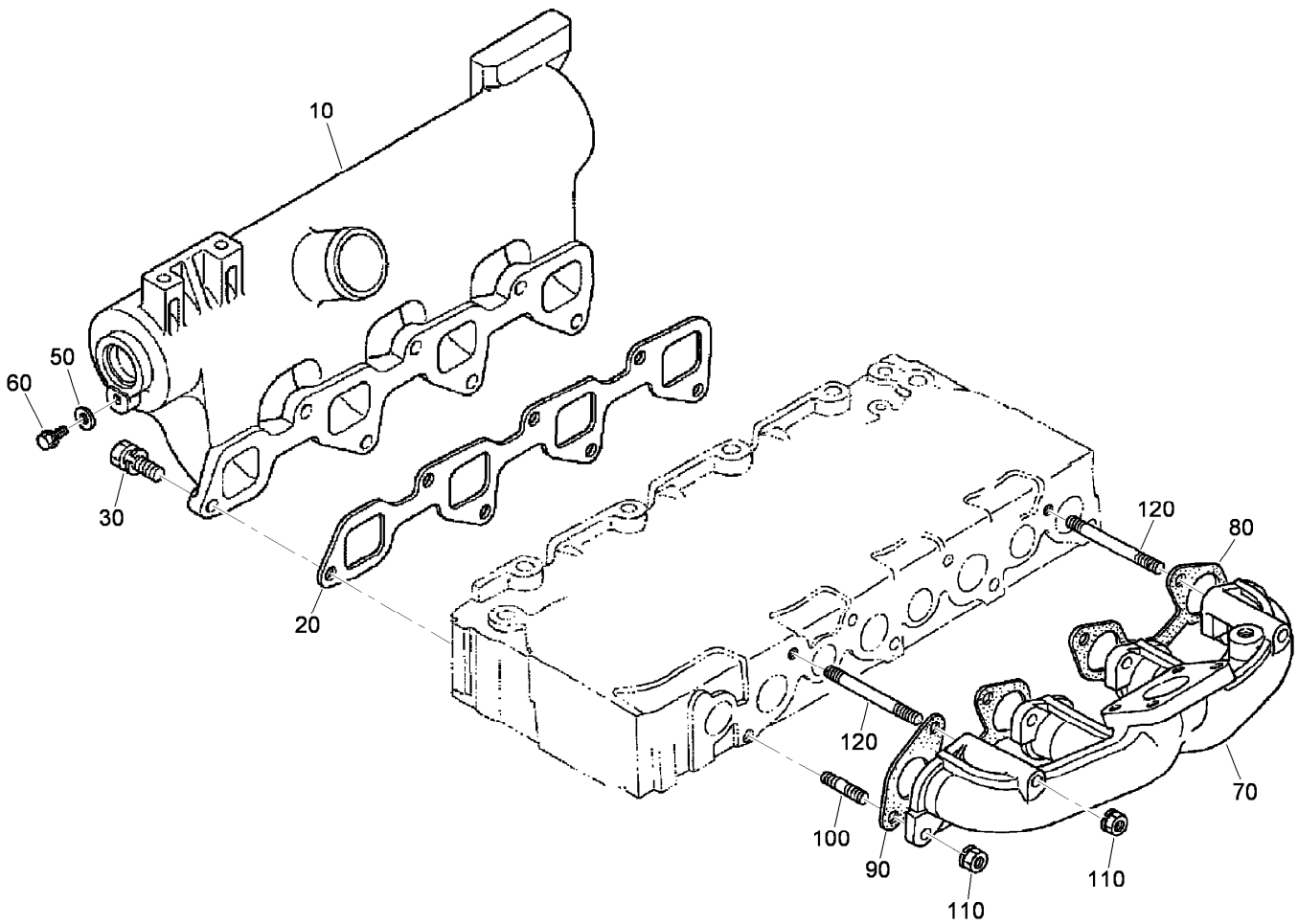
## Water Pump Assembly

<i>Ref.</i>	<i>Part Number</i>	<i>Qty.</i>	<i>Description</i>
10	115-8622	1	Water Pump ASM
15	115-8623	1	*obs* Body-Pump, Water
20	98-7780	1	Bearing-Ball
30	107-0130	1	Impeller-Pump, Water
40	105-2882	1	Mechanical Seal ASM
50	108-7089	1	Flange-Shaft, Water Pump
60	115-8624	1	Gasket-Pump, Water
70	98-7439	2	Bolt
80	108-7090	1	Stud
90	98-7605	6	Bolt
100	105-2893	1	Washer-Spring
110	98-7534	1	Nut
120	98-9580	1	Pipe-Return, Water
130	107-4317	4	Bolt-Flange
140	115-8625	1	Pulley-Fan



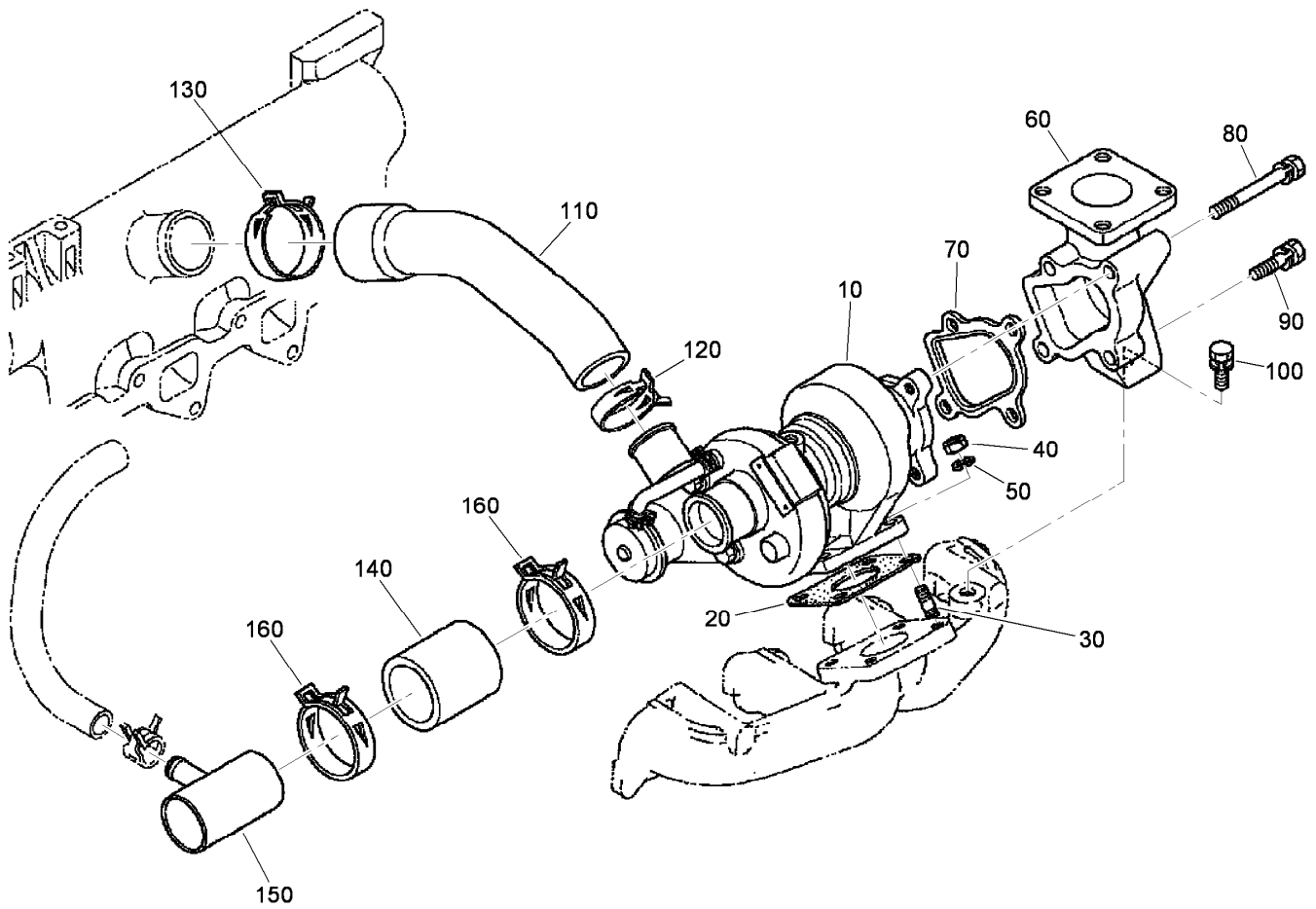
## Valve and Rocker Arm Assembly

Ref.	Part Number	Qty.	Description
10	115-8626	4	Valve-Inlet
20	114-5099	4	Valve-Exhaust
30	98-7793	8	Spring-Valve
40	98-7794	8	Retainer-Spring, Valve
50	98-7795	8	Collet-Spring, Valve
60	98-7796	8	Seal-Stem, Valve
70	98-7797	8	Cap-Valve
80	107-0134	1	Shaft-Arm, Rocker
90	98-7800	4	Bracket-Arm, Rocker
100	98-7807	3	Spring-Arm, Rocker
110	108-7091	4	Bolt-Flange
120	98-7805	1	Pin-Spring
130	98-7806	2	Washer
140	98-7660	2	Washer-Plain
150	105-2893	2	Washer-Spring
160	98-7884	2	Bolt
170	98-7809	8	Rocker Arm ASM
180	98-7810	8	Screw-Adjusting
190	98-7811	8	Nut



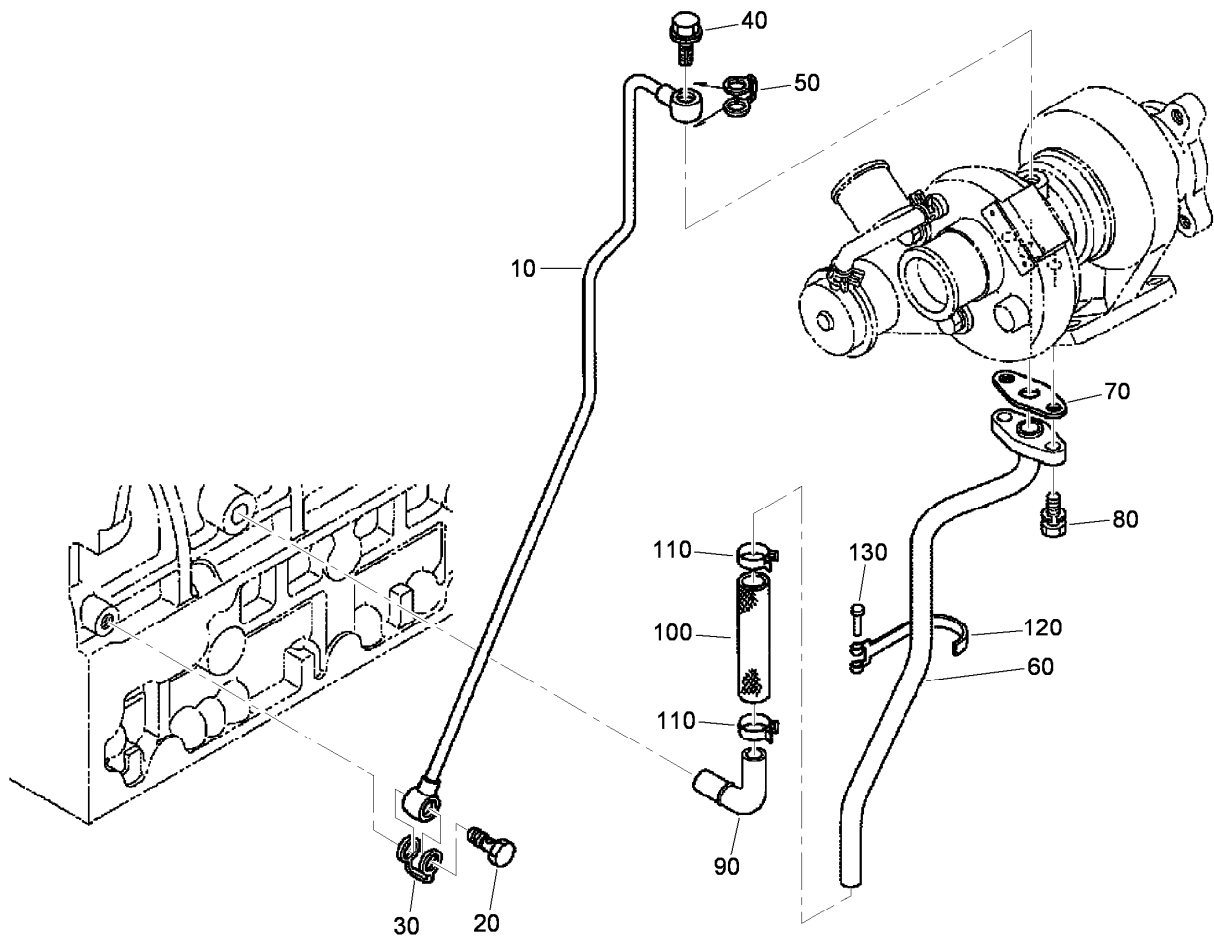
## Inlet and Exhaust Manifold Assembly

<i>Ref.</i>	<i>Part Number</i>	<i>Qty.</i>	<i>Description</i>
10	115-8627	1	Manifold-Inlet
20	100-9284	1	Gasket-Manifold, Intake
30	98-7610	1	Bolt
50	98-7654	1	Gasket
60	107-4317	1	Bolt-Flange
70	108-7092	1	Manifold-Exhaust
80	98-7802	1	Gasket
90	98-7803	1	Gasket
100	100-1558	6	Stud
110	100-9288	8	Nut
120	100-9289	2	Stud



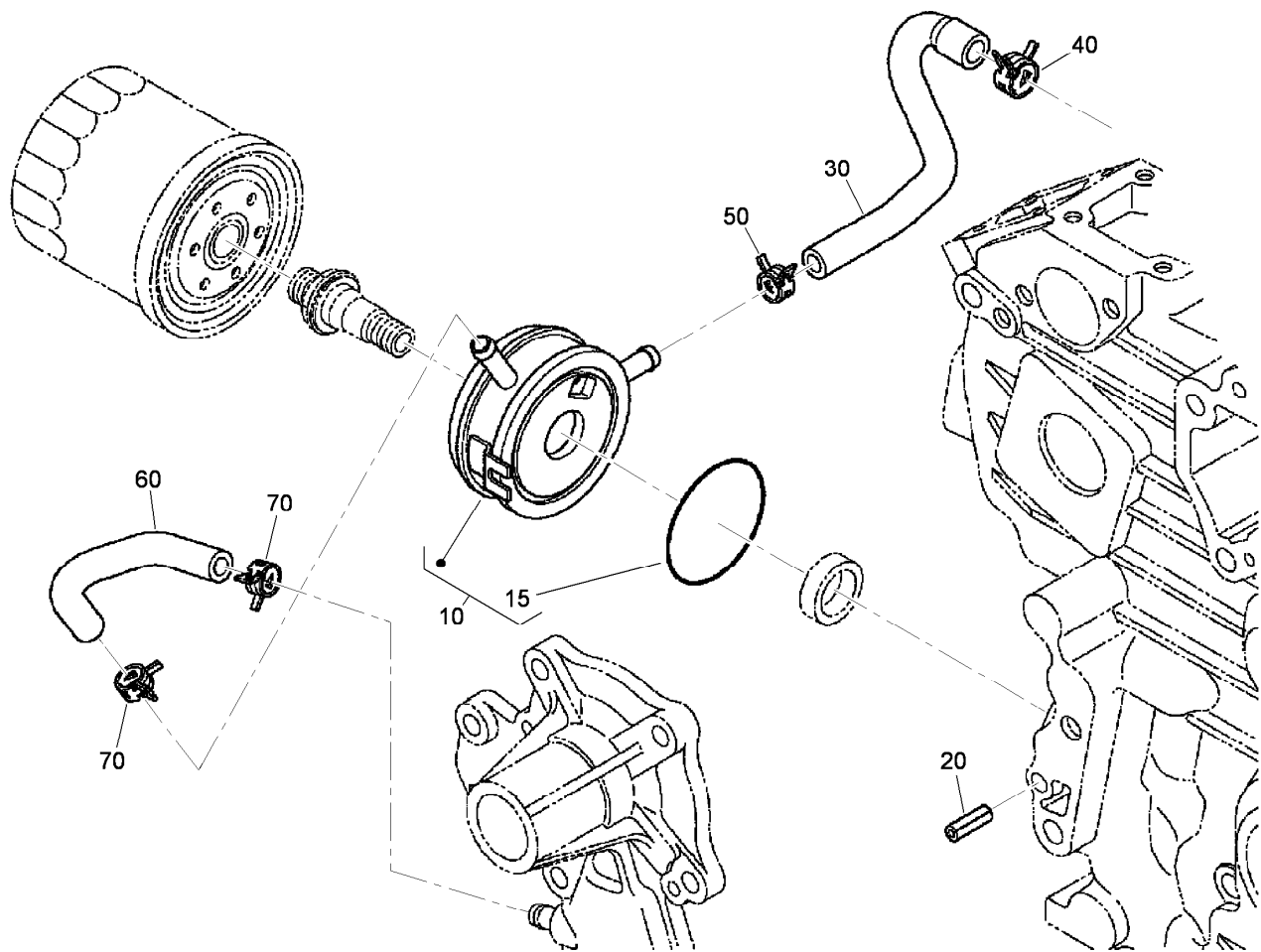
## Turbo Charger Assembly

<i>Ref.</i>	<i>Part Number</i>	<i>Qty.</i>	<i>Description</i>
10	115-8628	1	Turbo Charger ASM
20	100-9314	1	Gasket
30	99-8342	4	Stud
40	98-7534	4	Nut
50	105-2893	4	Washer-Spring
60	108-7094	1	Flange-Muffler
70	100-9316	1	Gasket
80	98-7590	2	Bolt
90	98-7777	2	Bolt
100	115-8629	1	Bolt
110	115-8630	1	Hose-Inlet
120	100-9319	1	Band-Pipe
130	99-8322	1	Band-Pipe
140	115-8631	1	Tube-Inlet, Turbo
150	115-8632	1	Pipe-Breather, Inlet
160	99-8322	2	Band-Pipe



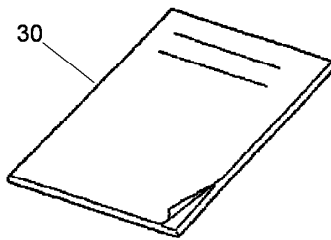
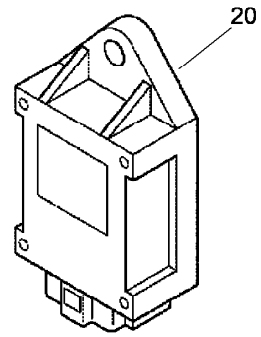
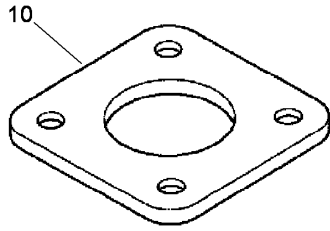
## Oil Pipe (Turbo Charger) Assembly

<i>Ref.</i>	<i>Part Number</i>	<i>Qty.</i>	<i>Description</i>
10	115-8633	1	Pipe-Oil
20	100-9321	1	Bolt-Joint, Eye
30	115-8634	1	Gasket
40	115-4126	1	Bolt-Joint, Eye
50	115-8635	1	Gasket
60	115-8636	1	Pipe-Oil
70	108-4422	1	Gasket
80	98-7605	2	Bolt
90	100-9323	1	Pipe-Oil
100	108-7095	1	Tube-Oil
110	98-9714	2	Clamp-Hose
120	108-7096	1	Clamp-Pipe
130	98-9591	1	Pin-Band



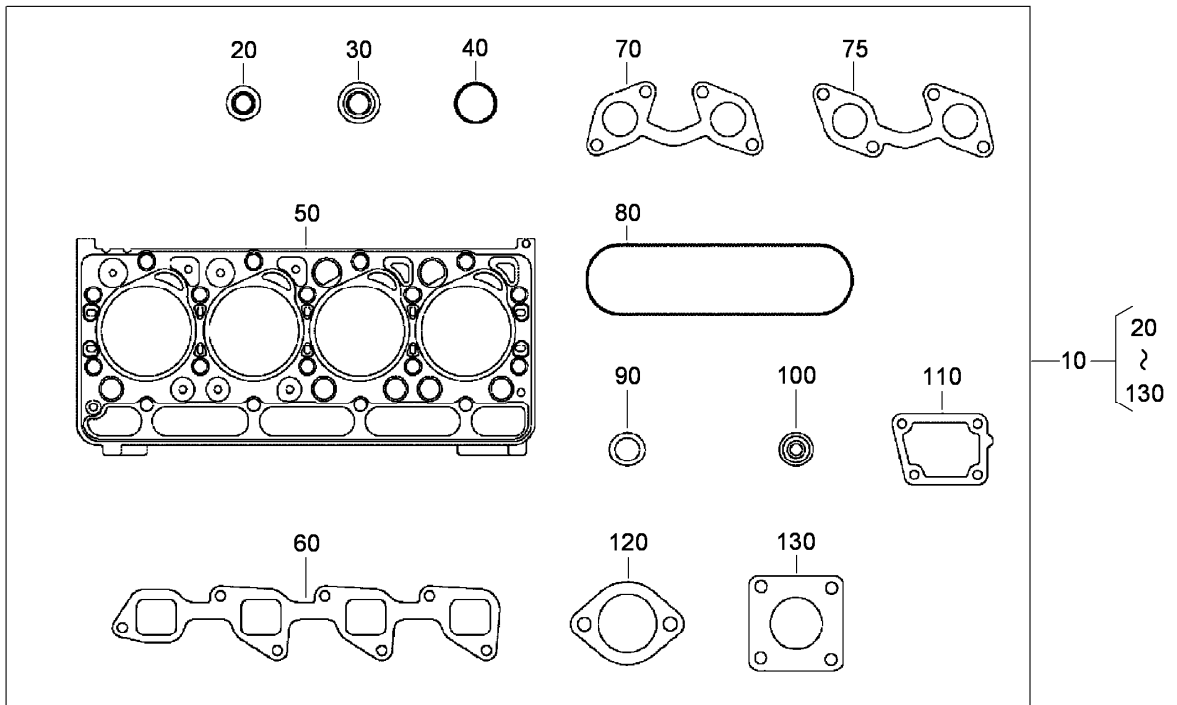
## Oil Cooler Assembly

<i>Ref.</i>	<i>Part Number</i>	<i>Qty.</i>	<i>Description</i>
10	115-8637	1	Oil Cooler ASM
15	115-8638	1	O-Ring
20	115-8639	1	Pin-Spring
30	115-8640	1	Hose-Cooler, Oil
40	105-2879	1	Clamp-Hose
50	98-9579	1	Band-Pipe
60	115-8641	1	Hose-Cooler, Oil
70	98-9579	2	Band-Pipe



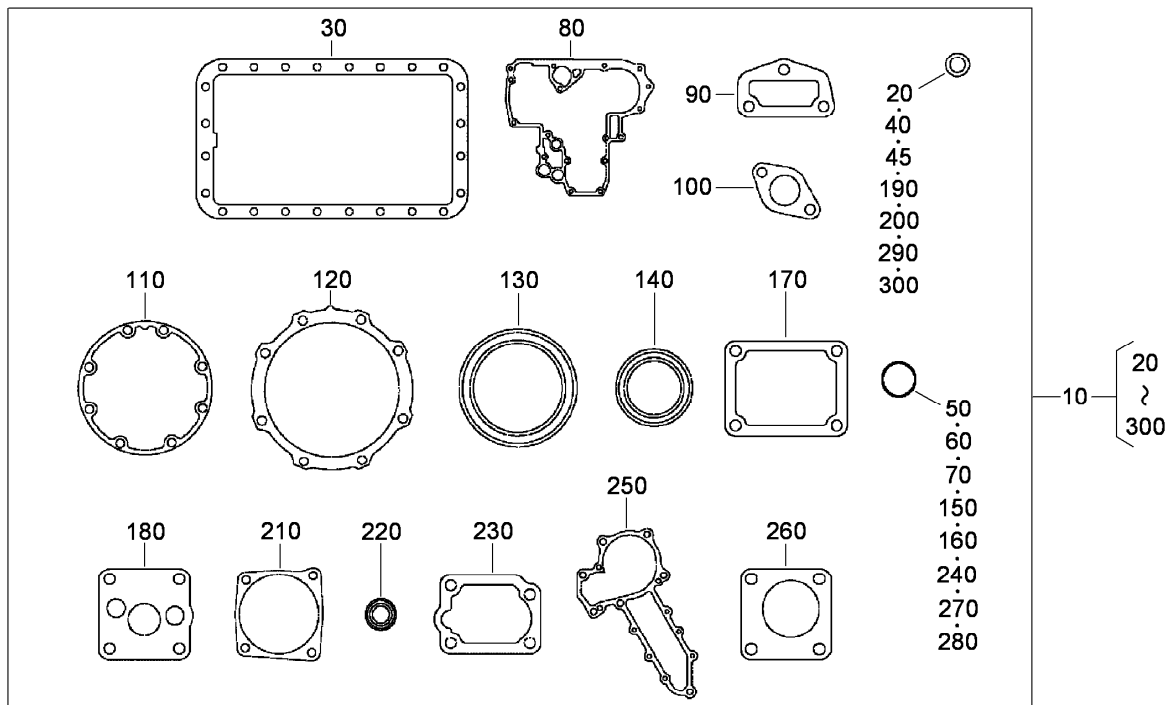
## Muffler Gasket, Glow Controller and Operator Manual

<i>Ref.</i>	<i>Part Number</i>	<i>Qty.</i>	<i>Description</i>
10	100-9333	1	Gasket-Muffler
20	98-7611	1	Controller-Glow
30	115-8642	1	Manual-Operator



## Upper Gasket Kit

<i>Ref.</i>	<i>Part Number</i>	<i>Qty.</i>	<i>Description</i>
10	115-8643	1	Upper Gasket Kit
20	98-7763	1	Washer-W/Rubber
30	98-7796	8	Seal-Stem, Valve
40	108-7064	1	O-Ring
50	115-8509	1	Gasket-Head, Cylinder (1.20Mm)
60	100-9284	1	Gasket-Manifold, Intake
70	98-7803	1	Gasket
75	98-7802	1	Gasket
80	108-7062	1	Gasket-Cover, Head
90	98-7676	4	Gasket
100	98-7677	4	Seal-Heat
110	98-7767	1	Gasket-Flange, Water
120	105-3748	1	Gasket-Thermostat
130	100-9333	1	Gasket-Muffler



## Lower Gasket Kit

<i>Ref.</i>	<i>Part Number</i>	<i>Qty.</i>	<i>Description</i>	<i>Ref.</i>	<i>Part Number</i>	<i>Qty.</i>	<i>Description</i>
10	115-8644	1	Lower Gasket Kit	150	98-7478	1	O-Ring
20	98-7524	1	Gasket	160	108-7054	1	O-Ring
30	108-7053	1	Gasket-Pan, Oil	170	98-7604	1	Gasket-Cover, Pump
40	98-7528	1	O Ring-Copper	180	115-8648	1	Gasket-Pump, Oil
45	98-9399	2	Gasket	190	98-7654	2	Gasket
50	107-0104	1	O-Ring	200	98-7636	2	Gasket
60	115-8514	2	O-Ring	210	115-8566	1	Gasket
70	107-0106	1	O-Ring	220	115-8576	2	Seal-Oil
80	115-8516	1	Gasket-Case, Gear	230	115-8578	2	Gasket-Plate
90	115-8521	1	Gasket-Flange, Return	240	110-3762	1	O-Ring
100	115-8645	1	Gasket-Pump, Fuel	250	115-8624	1	Gasket-Pump, Water
110	98-7435	1	Gasket-Case, Bearing	260	115-8522	1	Gasket-Meter, Hour
120	98-7437	1	Gasket-Case Cover, Bearing	270	115-8649	1	O-Ring
130	108-7072	1	Seal-Oil	280	115-8570	1	O-Ring
140	98-7480	1	Seal-Oil	290	115-8571	1	Gasket
				300	98-7428	1	Gasket

# Attachments and Accessories

## For 30412 Groundsmaster 4000-D Traction Unit

<b>Product Name</b>	<b>Model/Part</b>
Test Box-Switch .....	105-2811
Front Plate Service Kit .....	107-4328
Atomic Blade Service Pack (7 Pack).....	108-1450
Accessory Wiring Kit.....	110-3263
Flat Blade Service Pack (7 Pack).....	110-6130
Hardtop Sunshade.....	30359
Deluxe Seat Suspension .....	30396
Standard Seat Kit.....	30398
Right-Hand Replacement Mower.....	30415
Left-Hand Replacement Mower .....	30416
Front Center Replacement Mower.....	30417
Guardian Recycler Conversion Kit.....	30420
Speed Control Kit.....	30421
Leaf Mulcher Kit.....	30422
Debris Blower .....	30425
Rotary Broom .....	30426
Flow Divider Kit.....	30429
Road Light Kit .....	30442
Air Ride Seat Suspension Kit.....	30621
Premium Seat Kit.....	30622
Arm Rest Kit.....	30707

**Notes:**

**Notes:**

**Notes:**



**Count on it.**