



Count on it.

Parts Catalog

**Groundsmaster® 5900/5910
Rotary Mower**

Model No. 31598—Serial No. 312000301 and Up

Model No. 31598TE—Serial No. 312000301 and Up

Model No. 31599—Serial No. 312000301 and Up

Model No. 31599TE—Serial No. 312000301 and Up



Ordering Replacement Parts

To order replacement parts, please supply the part number, the quantity, and the description of each part desired.

Understanding Reference Numbers

Each identified part in an illustration has a reference number. The reference number for a part also appears in the parts list, along with other information about the part.

This catalog uses two special reference number formats, one to indicate parts in a service assembly and another to indicate the quantity of a given part in an illustration.

Service Assembly Reference Numbers

Parts in service assemblies have reference numbers in the form a:b. The a represents the reference number of the entire service assembly and the b represents a sequential number unique to each part within the service assembly.

For example, a wheel assembly might be identified by reference number 6, the tire by 6:1, the valve by 6:2, and the wheel by 6:3. When you order the assembly identified by reference number 6, you receive all parts identified by reference numbers 6:1, 6:2, and 6:3. However, you may also order any part individually. Reference numbers of this type appear in illustration and in parts lists.

Reference Numbers Indicating Quantity

In an illustration, if a reference number indicates more than one part, the reference number has the form nX y. The n represents the quantity of the part, the X is the multiplication symbol, and the y represents the reference number.

For example, in an illustration, the reference number 2X 37 means that two of the parts identified by reference number 37 are indicated.

Contents

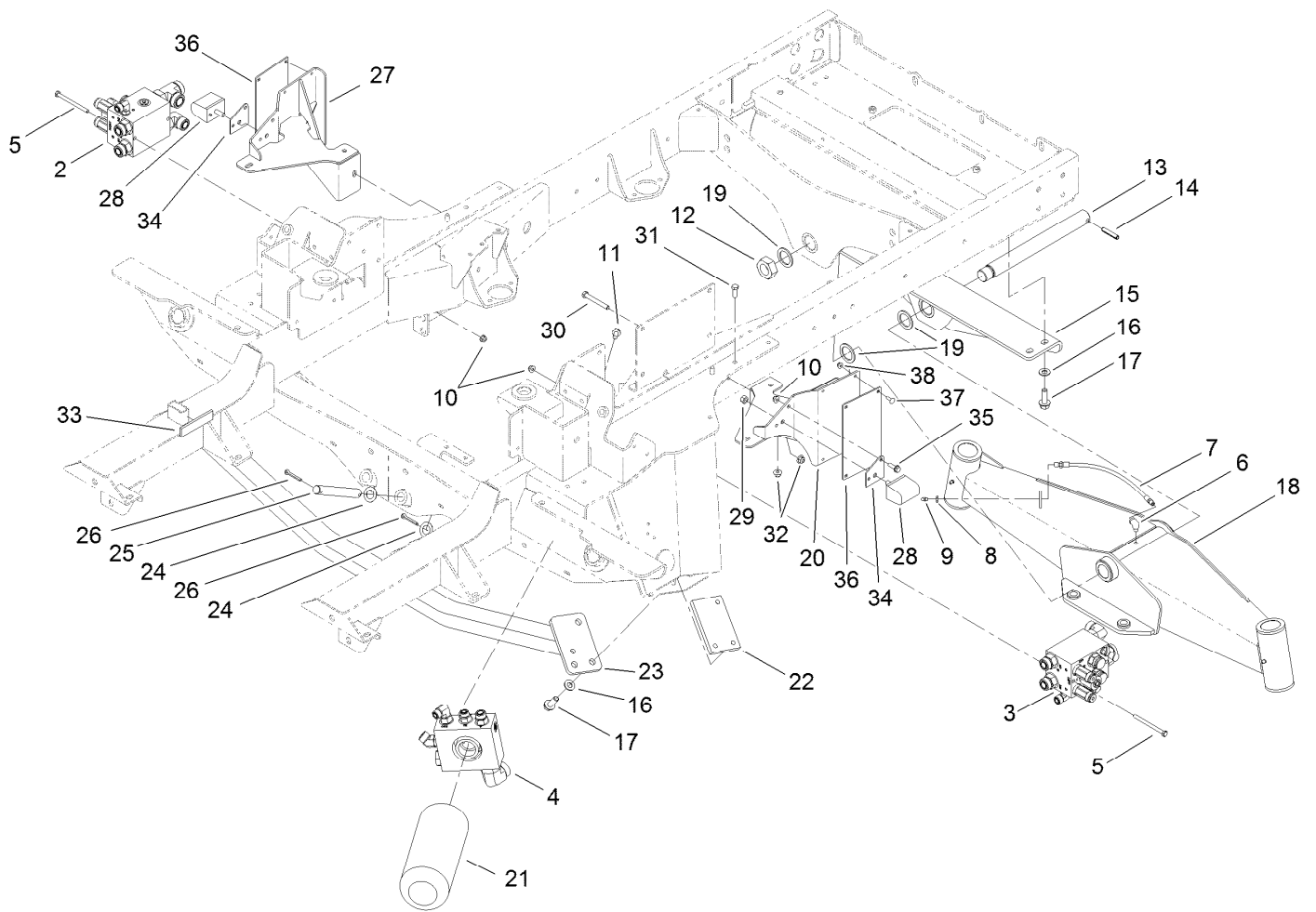
Frame and Rear Axle Assembly	6
RH PTO Valve Assembly	7
Hydraulic PTO Manifold Assembly No. 117-1112	8
LH PTO Valve Assembly	9
Hydraulic PTO Manifold Assembly No. 117-1111	10
Filter Manifold Assembly	11
Hydraulic Filter Manifold Assembly No. 119-7703	12
Axle Assembly No. 114-5982-01	13
Rear Axle Assembly	14
Left Rear Wheel Hydraulic Motor Assembly No. 114-5593	16
Tie Rod Assembly No. 110-6049-03	17
Right Rear Wheel Hydraulic Motor Assembly No. 114-5594	18
Hydraulic Steering Cylinder Assembly No. 98-0661	19
Front Axle and Brake Assembly	20
Planetary Assembly No. 105-4500	22
Brake Assembly No. 119-8258	23
Brake Assembly No. 119-8259	24
Front PTO Valve Assembly	25
Hydraulic PTO Manifold Assembly No. 117-1110	26
Traction Valve Assembly	27
Hydraulic Traction Manifold Assembly No. 110-6062	28
Hydraulic Motor Assembly No. 114-4849	29
Seat and Platform Assembly	30
Air Ride Seat Suspension Assembly No. 108-1488	32
Head Light Assembly No. 114-5928	34
Steering Column Assembly	35
Steering Tower Assembly No. 117-5492	37
Steering Valve Assembly No. 114-4900	38
Traction Pedal Assembly	39
Brake Pedal Assembly	40
Control Console Assembly	41
Electrical Component Assembly	42
Battery and Lift Manifold Assembly	44
Hydraulic Lift Manifold Assembly	45
Hydraulic Lift Manifold Assembly No. 119-7731	46
Front Deck Lift Arm and Cylinder Assembly	47
Hydraulic Gear Motor Assembly No. 114-4940	49
Hydraulic Cylinder Assembly No. 114-4830	50
Hydraulic Cylinder Assembly No. 114-4831	51
Wing Lift Arm Assembly	52
Hydraulic Cylinder Assembly No. 114-5685	54
Wing Connection and Impact Arm Assembly	55
Hood and Bumper Assembly	56
Air Cleaner and Muffler Assembly	58
Air Cleaner Assembly No. 112-7329	59
Radiator and Fan Shroud Assembly	60
Radiator Assembly	62
Engine and Mount Assembly	63
4 Wheel Drive Hydraulic Manifold Assembly	64
4 Wheel Drive Hydraulic Manifold Assembly No. 110-6063	65
Flush Manifold Assembly	66
Flush Valve Assembly No. 120-9869	67
Fan and Coupling Assembly	68
Hydraulic Fan Motor Assembly No. 112-7400	69

Contents (continued)

Steer/Fan Manifold Assembly	70
Hydraulic Manifold Assembly No. 110-6065	71
Hydraulic Tank Assembly	72
Pump Assembly	73
Piston Pump Assembly No. 110-5989	74
Triple Pump Assembly No. 114-4840	76
Traction Hydraulic Plumbing Assembly.....	77
Power-Take-Off Hydraulic Plumbing Assembly	78
Lift Arms Hydraulic Plumbing Assembly	79
Steering Hydraulic Plumbing Assembly	80
Hydraulic Tank Plumbing Assembly	81
Acoustic Foam Assembly	82
Battery Cable Routing and Assembly	83
Fuel Tank Assembly	84
Engine Breather Assembly	85
Roll-Over Protection System Assembly	86
Right Hand Tail Light Assembly No. 108-8007	87
Left Hand Tail Light Assembly No. 108-8008.....	88
Vinyl Premium Seat Assembly No. 117-5676	89
Cab Mounting Assembly	90
Compressor Mount and Screen Assembly	91
Cab Seat Assembly	92
Cloth Premium Seat Assembly No. 117-9429	93
Right Door Cab Assembly.....	94
Left Door Cab Assembly	96
Front and Rear Window Cab Assembly	98
Window Wiper and Washer Bottle Cab Assembly	99
Shielding Component Cab Assembly	100
Headliner Cab Assembly.....	101
Roof, Condenser and Evaporator Cab Assembly	102
Switchplate and Fuse Block Cover Cab Assembly	103
A/C Heater and Evaporator Cab Assembly	104
Condenser Cab Assembly	105
Center Deck and Winglet Assembly	106
Center Front Deck and Decal Assembly No. 110-5911	107
Right Front Deck and Decal Assembly No. 110-5914.....	108
Left Front Deck and Decal Assembly No. 110-5917	109
Center Deck Belt and Pulley Assembly.....	110
Driving Spindle Assembly No. 119-4547	111
Double Driven Spindle Assembly No. 119-4548	112
High Driven Spindle Assembly No. 119-4549	113
Center Deck Roller, Skid and Caster Wheel Assembly.....	114
10 Inch Wheel Assembly No. 93-4240	115
Center Deck Spindle and Blade Assembly	116
Center Deck Belt Cover Assembly.....	117
Center Deck Chamber Assembly.....	118
Center Deck Transport Damper Assembly	119
Right Deck Belt and Pulley Assembly	120
Right Deck Decal Assembly No. 110-5921	121
Right Deck Roller, Skid and Caster Wheel Assembly	122
Right Deck Spindle and Blade Assembly	123
Right Deck Belt Cover Assembly	124
Right Deck Chamber Assembly	125
Right Deck Stop and Hose Guide Assembly	126

Contents (continued)

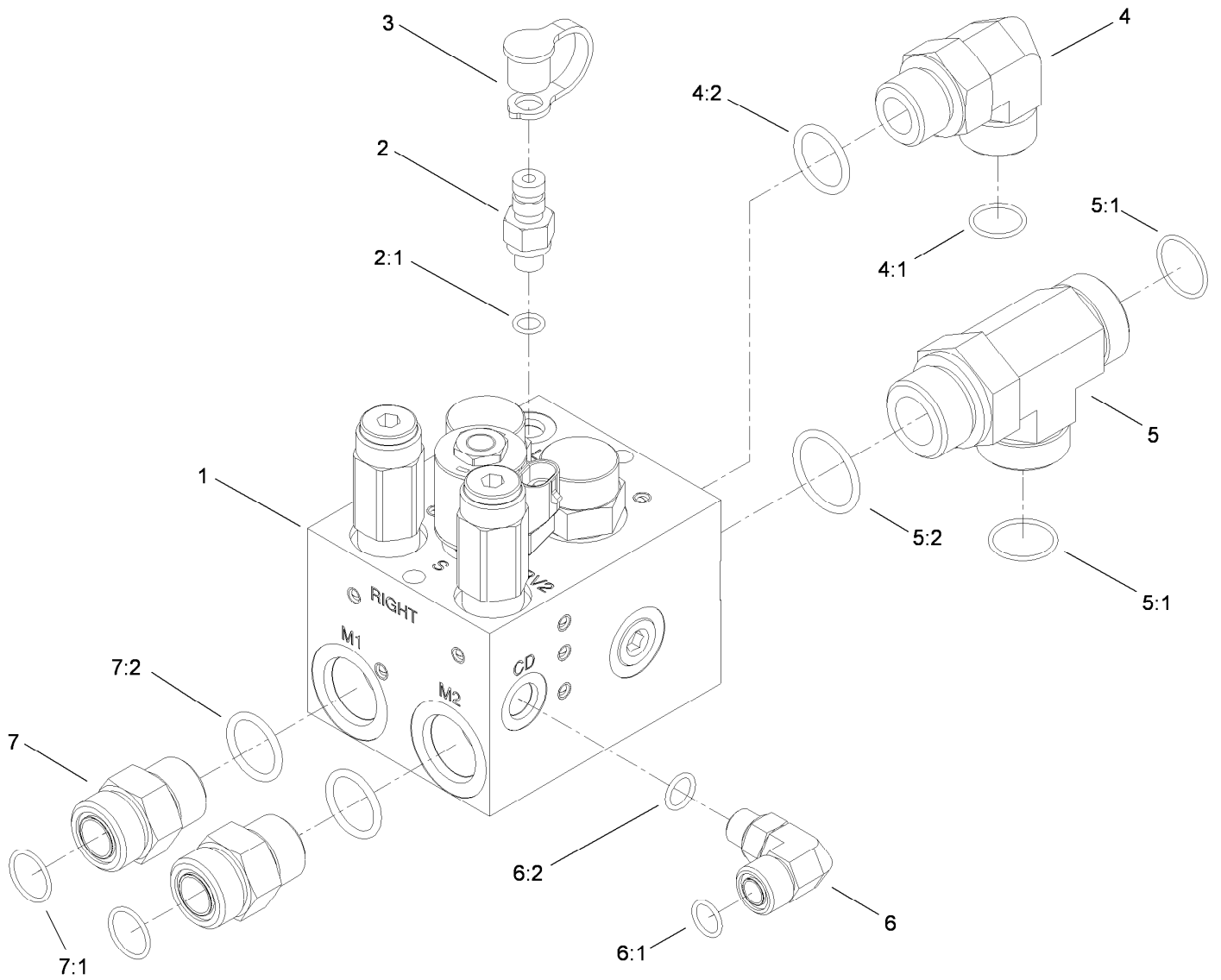
Left Deck Belt and Pulley Assembly	127
Left Deck Decal Assembly No. 110-5931	128
Left Deck Roller, Skid and Caster Wheel Assembly	129
Left Deck Spindle and Blade Assembly	130
Left Deck Belt Cover Assembly	131
Left Deck Chamber Assembly	132
Left Deck Stop and Hose Guide Assembly	133
Engine Alternator Assembly	134
Engine Starter Assembly	135
Engine Gear Case Front Cover Assembly	136
Engine Water Pump and Thermostat Assembly	137
Engine Exhaust Manifold Assembly	138
Engine Valve Cover Assembly	139
Engine Oil Filter and Dipstick Assembly	140
Engine Fuel Filter Assembly	141
Attachments and Accessories	142



Frame and Rear Axle Assembly

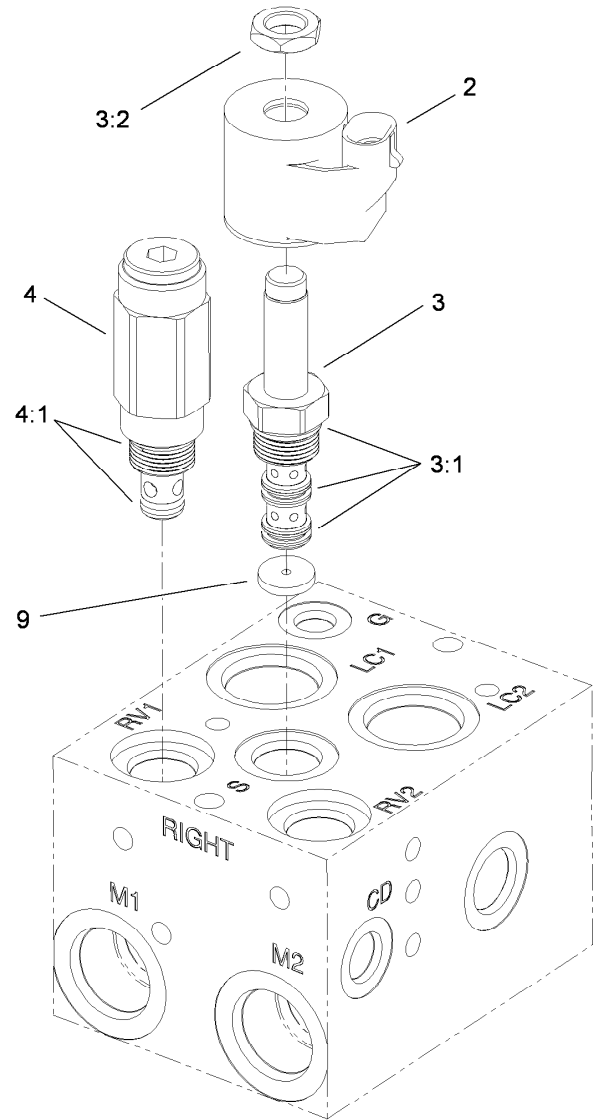
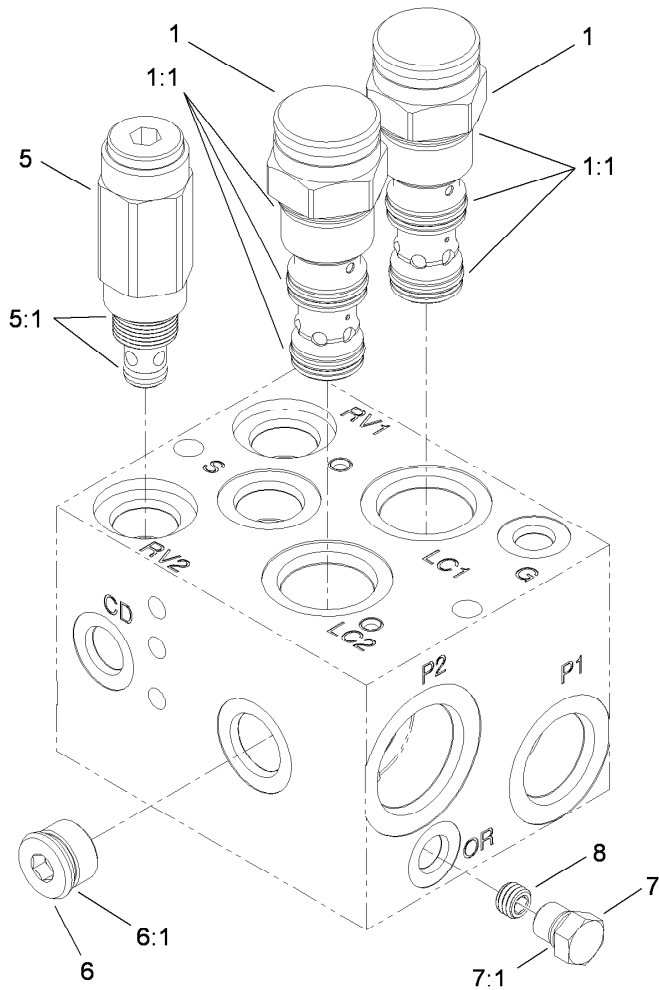
Ref.	Part Number	Qty.	Description	Ref.	Part Number	Qty.	Description
2		1	RH PTO Valve ASM ●	21	86-6110	1	Filter-Hydraulic
3		1	LH PTO Valve ASM ●	22	114-5990	2	Plate-Tapped
4		1	Filter Manifold ASM ●	23	114-5969-01	1	Crossmember
5	322-19	4	Screw-HH	24	110-6767	4	Washer-Thrust
6	2811-7	1	Elbow	25	110-6006	2	Pin-Clevis
7	114-5586	1	Hose ASM (With Fitting)	26	3272-30	4	Pin-Cotter
8	114-5587	1	Nut	27	119-8270-01	1	Pad-Transport, RH
9	302-5	1	Fitting-Grease	28	87-3470	2	Bumper
10	104-8300	6	Nut-HF, NI	29	33025-00	2	Nut-Lock, NI
11	3234-1	4	Screw-HHF	30	323-14	2	Screw-HH
12	3296-68	1	Nut-Lock, NI	31	323-6	4	Screw-HH
13	114-5970	1	Shaft-Pivot	32	104-8301	6	Nut-HF, NI
14	32121-110	1	Pin-Roll, Slotted	33	115-5465	1	Seal-Trim
15	110-6033-01	1	Support-Axle	34	115-8826	2	Shim-Bumper
16	3256-26	10	Washer-Flat	35	3234-17	2	Screw-HHF
17	100-6116	10	Screw-HHF	36	117-5476	2	Pad-Roller
18	114-5982-01	1	Axle ASM	37	1-807512	8	Bolt-CARR
19	98-1452	3	Washer-Thrust	38	104-7201	8	Nut-HF
20	119-8275-01	1	Pad-Transport, LH				

● Not serviced separately



RH PTO Valve Assembly

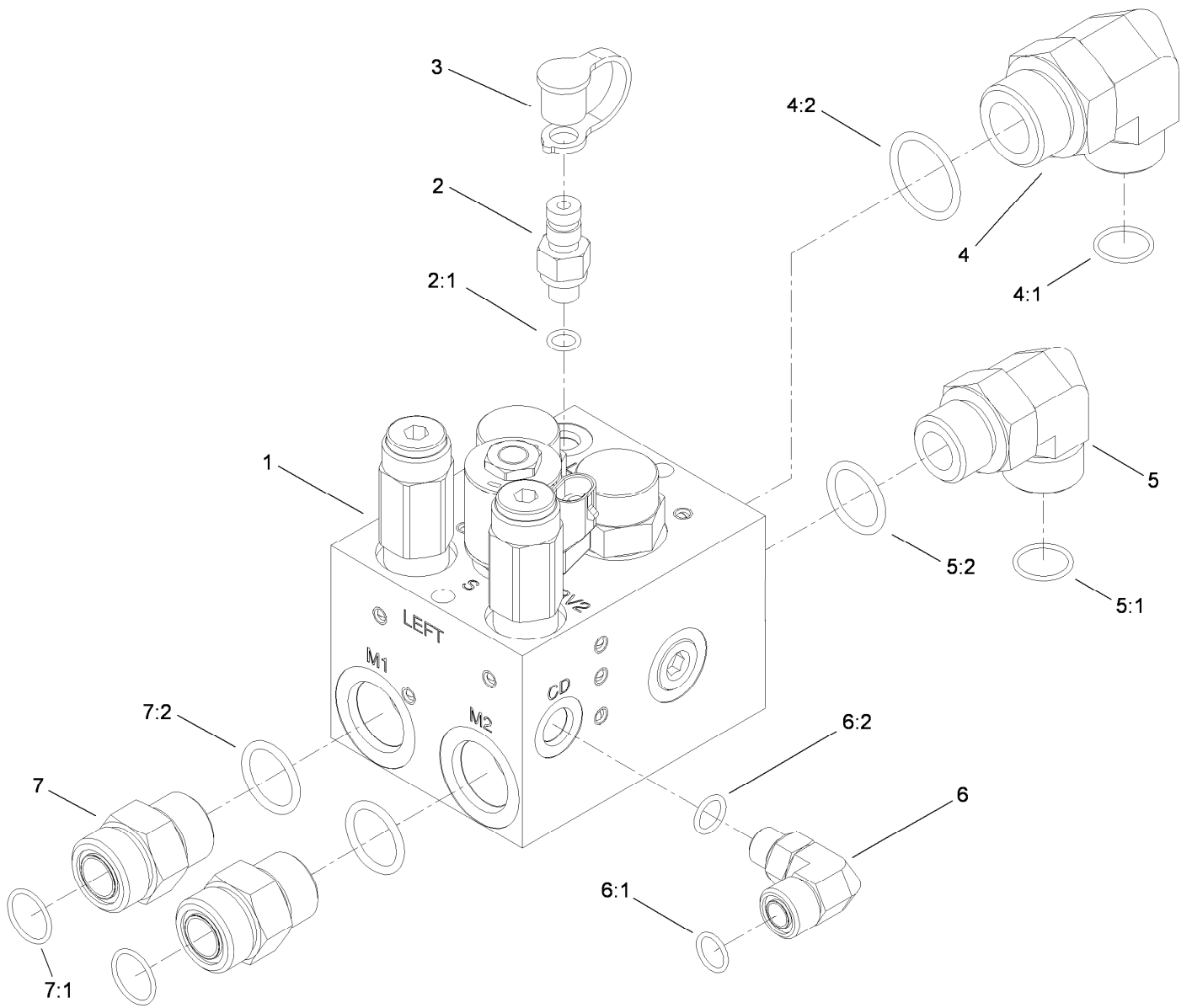
<i>Ref.</i>	<i>Part Number</i>	<i>Qty.</i>	<i>Description</i>	<i>Ref.</i>	<i>Part Number</i>	<i>Qty.</i>	<i>Description</i>
1	117-1112	1	Manifold-PTO, RH	5:1	340-65	2	O-Ring
2	354-77	1	Fitting-Quick	5:2	237-146	1	O-Ring
2:1	237-78	1	O-Ring	6	340-99	1	Fitting-HYD, 90 DEG
3	354-79	1	Cap-Dust	6:1	237-30	1	O-Ring
4	340-142	1	Fitting-Elbow-90	6:2	237-42	1	O-Ring
4:1	237-58	1	O-Ring	7	340-9	2	Fitting-STR
4:2	237-81	1	O-Ring	7:1	237-58	1	O-Ring
5	104-3795	1	Fitting-Tee	7:2	237-81	1	O-Ring



Hydraulic PTO Manifold Assembly No. 117-1112

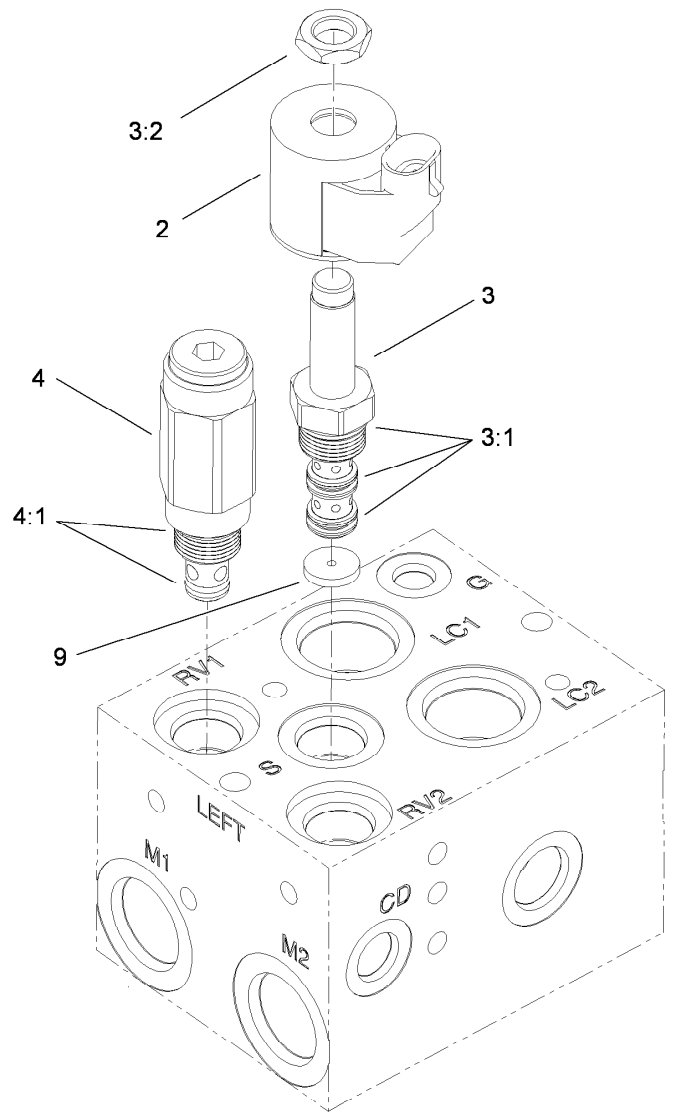
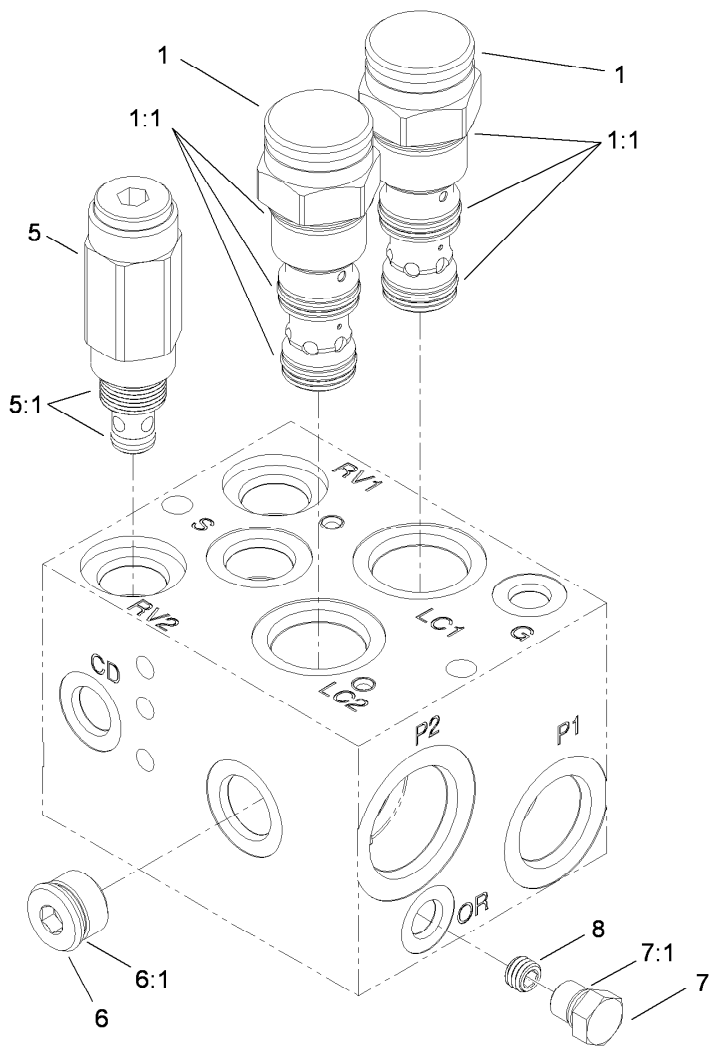
Ref.	Part Number	Qty.	Description
1	114-5511	2	Cartridge-Logic
1:1	119-8048	1	Seal Kit
2	105-9333	1	Coil-12Vdc
3	110-0494	1	Valve-Solenoid
3:1	110-8773	1	Seal Kit
3:2	110-2634	1	Nut-Coil
4	114-5514	1	Valve-Relief, 2000 PSI
4:1	105-9156	1	Seal Kit

Ref.	Part Number	Qty.	Description
5	114-5512	1	Valve-Relief, 600 PSI
5:1	105-9156	1	Seal Kit
6	106-1027	1	Plug-HYD
6:1	237-79	1	O-Ring
7	353-990	1	Plug ASM
7:1	237-78	1	O-Ring
8	112-6538	1	Orifice (.063)
9	117-2791	1	Disc-Orifice (.050)



LH PTO Valve Assembly

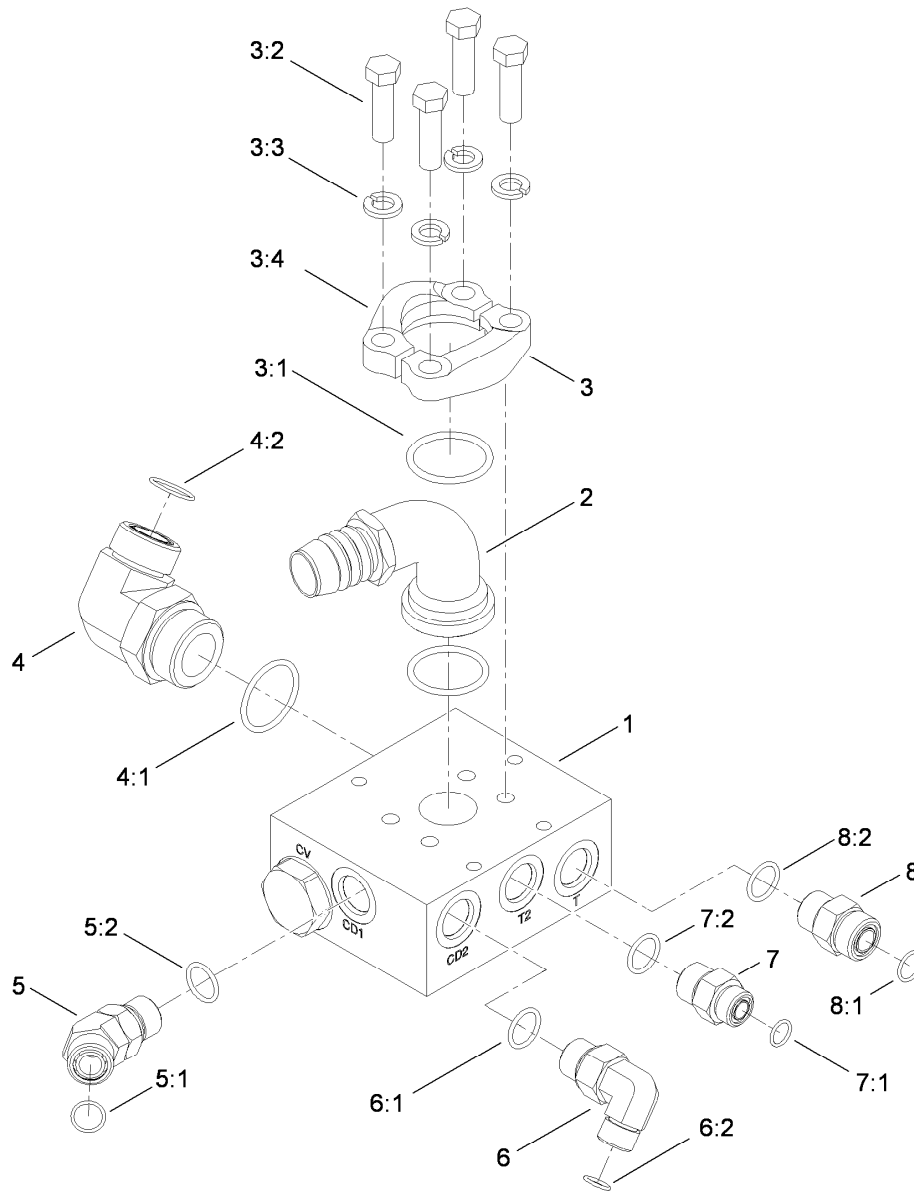
<i>Ref.</i>	<i>Part Number</i>	<i>Qty.</i>	<i>Description</i>	<i>Ref.</i>	<i>Part Number</i>	<i>Qty.</i>	<i>Description</i>
1	117-1111	1	Manifold-PTO, LH	5:1	237-58	1	O-Ring
2	354-77	1	Fitting-Quick	5:2	237-146	1	O-Ring
2:1	237-78	1	O-Ring	6	340-99	1	Fitting-HYD, 90 DEG
3	354-79	1	Cap-Dust	6:1	237-30	1	O-Ring
4	340-142	1	Fitting-Elbow-90	6:2	237-42	1	O-Ring
4:1	237-58	1	O-Ring	7	340-9	2	Fitting-STR
4:2	237-81	1	O-Ring	7:1	237-58	1	O-Ring
5	340-15	1	Fitting-Elbow 90	7:2	237-81	1	O-Ring



Hydraulic PTO Manifold Assembly No. 117-1111

Ref.	Part Number	Qty.	Description
1	114-5511	2	Cartridge-Logic
1:1	119-8048	1	Seal Kit
2	105-9333	1	Coil-12Vdc
3	110-0494	1	Valve-Solenoid
3:1	110-8773	1	Seal Kit
3:2	110-2634	1	Nut-Coil
4	114-5510	1	Valve-Relief, 3000 PSI
4:1	105-9156	1	Seal Kit

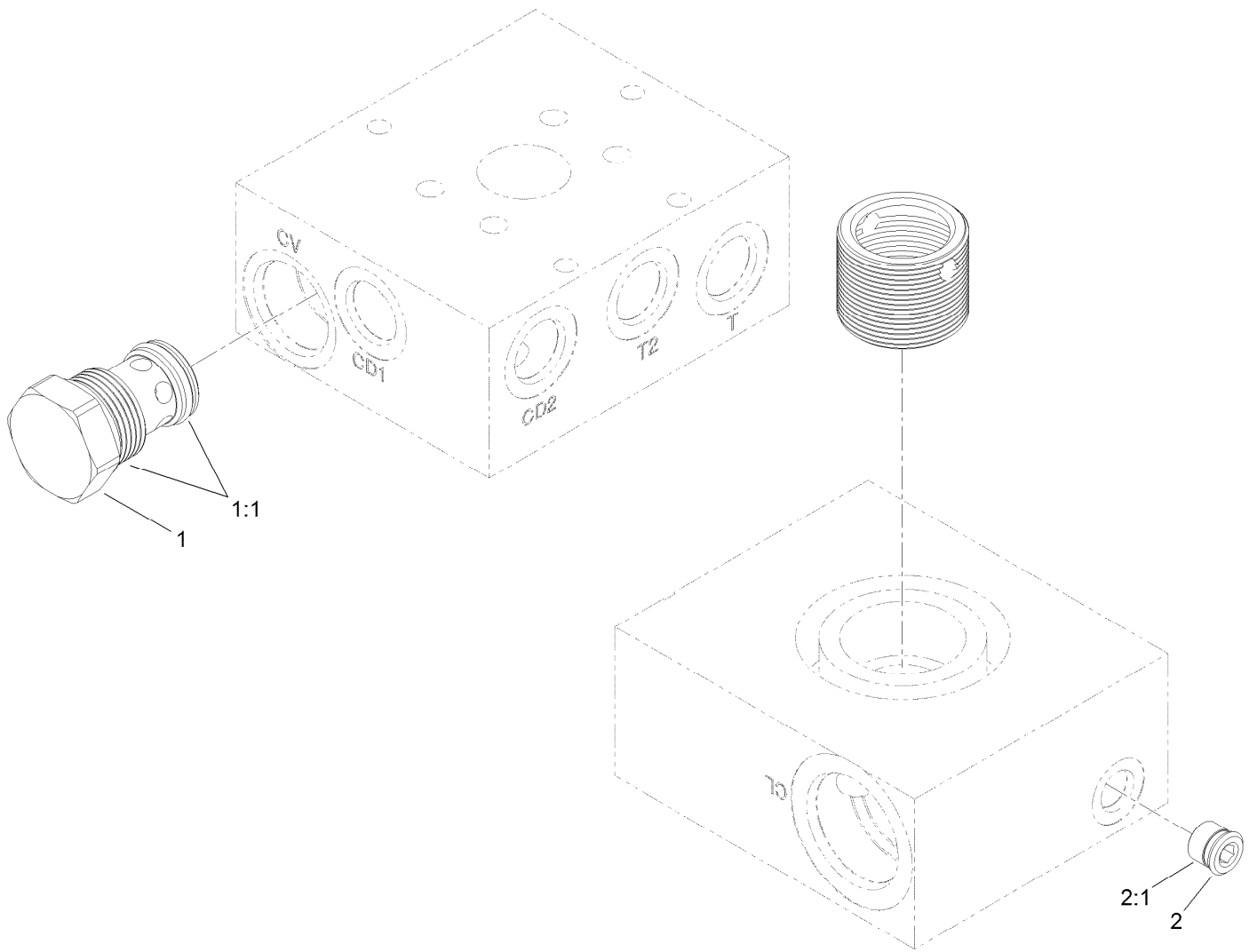
Ref.	Part Number	Qty.	Description
5	114-5512	1	Valve-Relief, 600 PSI
5:1	105-9156	1	Seal Kit
6	106-1027	1	Plug-HYD
6:1	237-79	1	O-Ring
7	353-990	1	Plug ASM
7:1	237-78	1	O-Ring
8	112-6538	1	Orifice (.063)
9	117-2791	1	Disc-Orifice (.050)



Filter Manifold Assembly

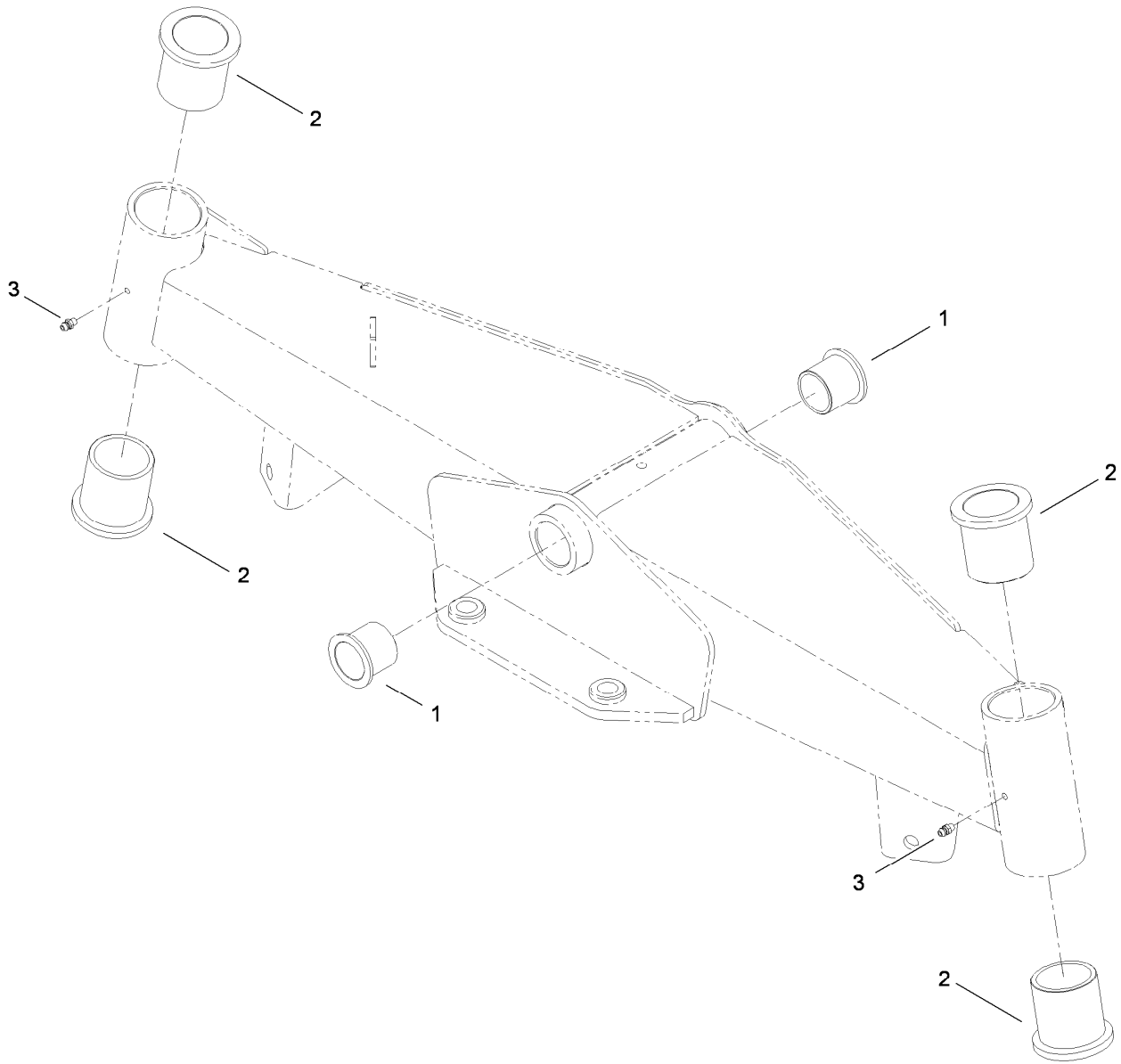
Ref.	Part Number	Qty.	Description	Ref.	Part Number	Qty.	Description
1	119-7703	1	Manifold-Filter	5:1	237-65	1	O-Ring
2	112-7374	1	Fitting	5:2	237-80	1	O-Ring
3	114-0090	1	Flange Kit	6	340-105	1	Fitting-Elbow, 90 DEG
3:1	115-5420	1	O-Ring	6:1	237-80	1	O-Ring
3:2	324-6	4	Screw-HH	6:2	237-30	1	O-Ring
3:3	3253-6	4	Washer-Lock	7	340-6	1	Fitting-Straight
3:4		2	Halve-Flange ●	7:1	237-30	1	O-Ring
4	340-79	1	Fitting-Elbow 90	7:2	237-80	1	O-Ring
4:1	237-101	1	O-Ring	8	340-7	1	Fitting-Straight
4:2	340-65	1	O-Ring	8:1	237-65	1	O-Ring
5	340-14	1	Fitting-HYD, 45 DEG	8:2	237-80	1	O-Ring

● Not serviced separately



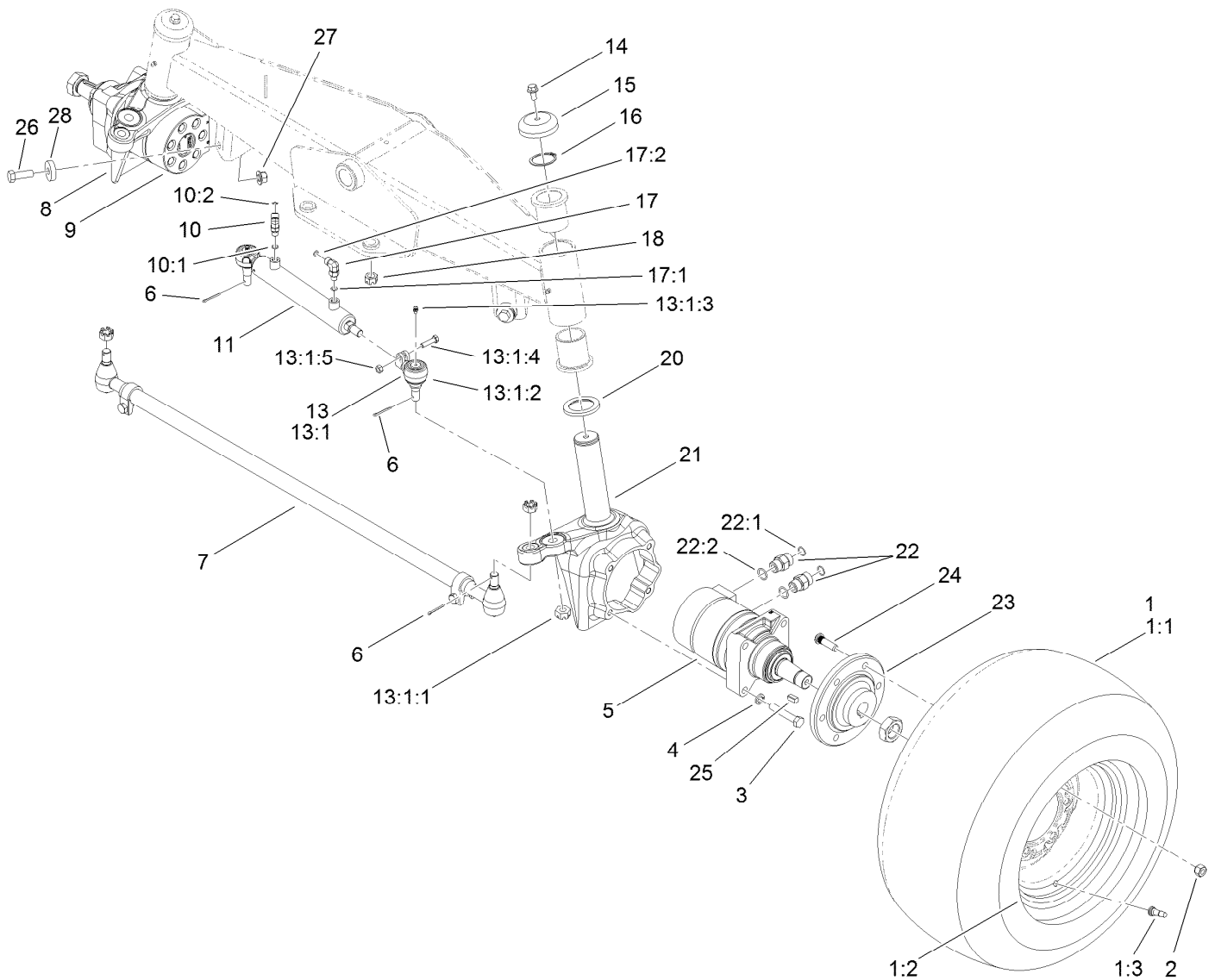
Hydraulic Filter Manifold Assembly No. 119-7703

<i>Ref.</i>	<i>Part Number</i>	<i>Qty.</i>	<i>Description</i>
1	115-5411	1	Valve-Check, 43 PSI
1:1	115-5416	1	Seal Kit
2	106-1026	1	Plug-HYD
2:1	237-42	1	O-Ring



Axle Assembly No. 114-5982-01

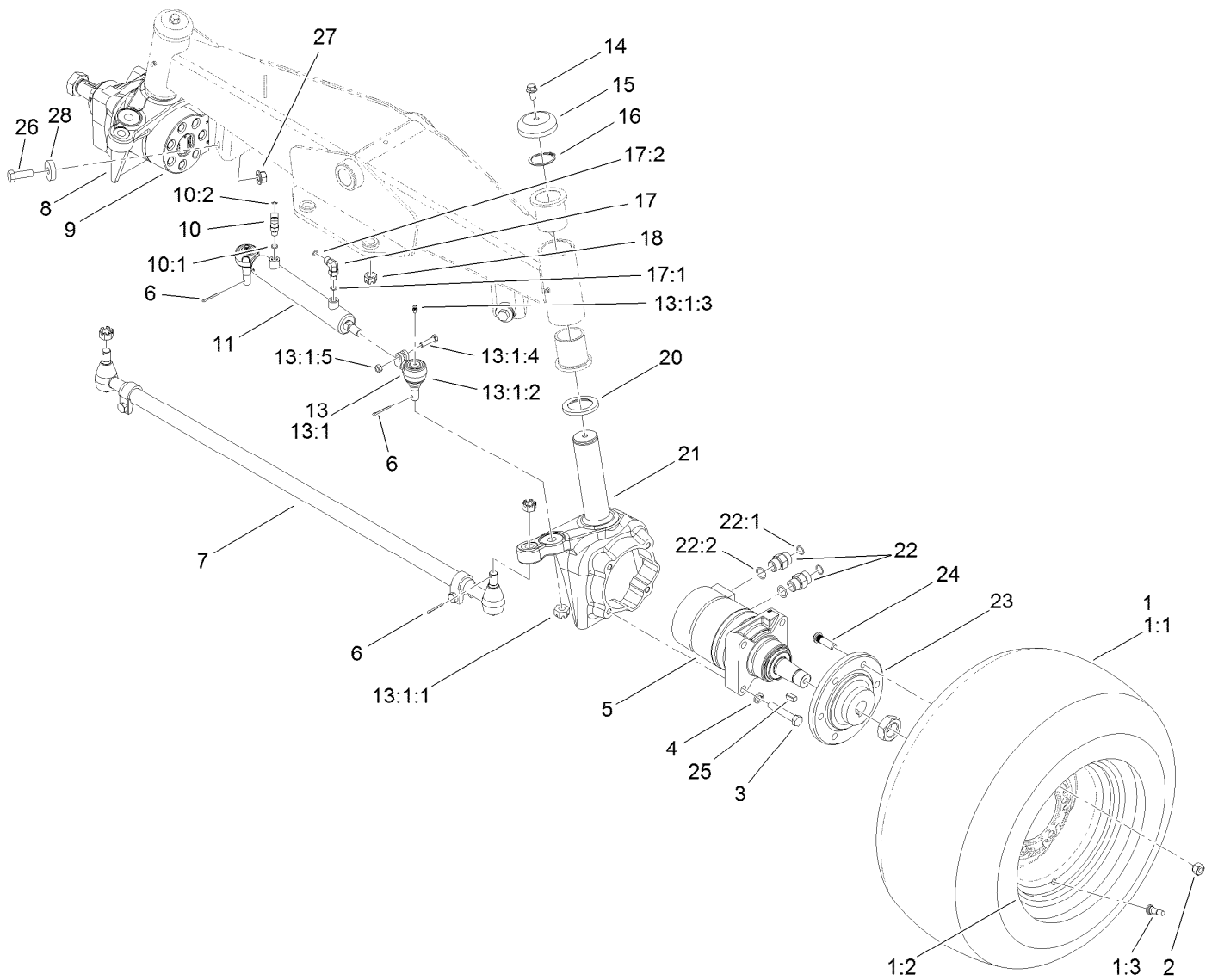
<i>Ref.</i>	<i>Part Number</i>	<i>Qty.</i>	<i>Description</i>
1	69-6470	2	Bushing-Castor
2	100-2506	4	Bushing-Castor
3	302-5	2	Fitting-Grease



Rear Axle Assembly

Ref.	Part Number	Qty.	Description	Ref.	Part Number	Qty.	Description
1	120-9886	2	Wheel And Tire ASM	13:1:1	32136-13	1	Nut-SHH
1:1	120-9884	1	Rim-Wheel	13:1:2	106-6896	1	Seal
1:2	117-2901	1	Tire	13:1:3	302-5	1	Fitting-Grease
1:3	5108	1	Valve	13:1:4	3210-7	1	Screw-HH
2	92-7483	12	Nut-Lug	13:1:5	32152-5	1	Nut-Hex
3	325-11	8	Screw-HH	14	3234-12	2	Screw-HHF
4	3253-7	8	Washer-Lock	15	100-3362	2	Cap-Spindle
5	114-5593	1	HYD Motor ASM	16	100-4196	2	Ring-Retaining
6	3272-12	6	Pin-Cotter	17	340-132	2	Fitting-Elbow, 90 DEG
7	110-6049-03	1	Tie Rod ASM	17:1	237-78	1	O-Ring
8	110-6015-01	1	Spindle-Steer, RH	17:2	237-21	1	O-Ring
9	114-5594	1	HYD Motor ASM	18	32136-13	2	Nut-SHH
10	340-103	2	Fitting-HYD, 45 DEG	20	100-2508	2	Washer-Thrust
10:1	237-78	1	O-Ring	21	110-6013-01	1	Spindle-Steer, LH
10:2	237-21	1	O-Ring	22	340-7	4	Fitting-Straight
11	98-0661	2	O-Ring Cylinder ASM	22:1	237-65	1	O-Ring
13	106-6895-03	2	Ball Joint ASM	22:2	237-80	1	O-Ring
13:1		1	Joint-Ball ●	23	117-1102-03	2	Hub-7.50 Inch, 6 Bolt

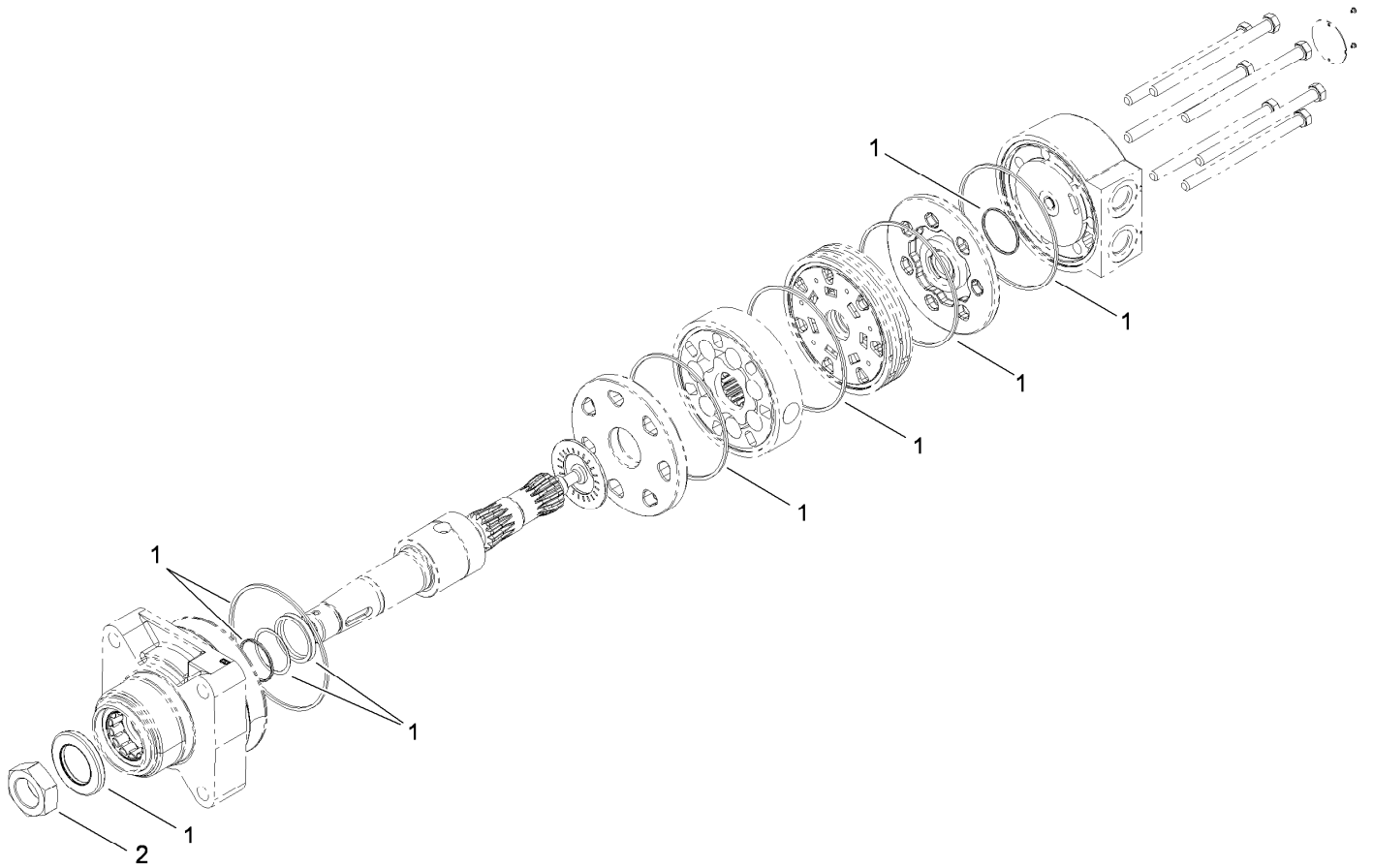
● Not serviced separately



Rear Axle Assembly (continued)

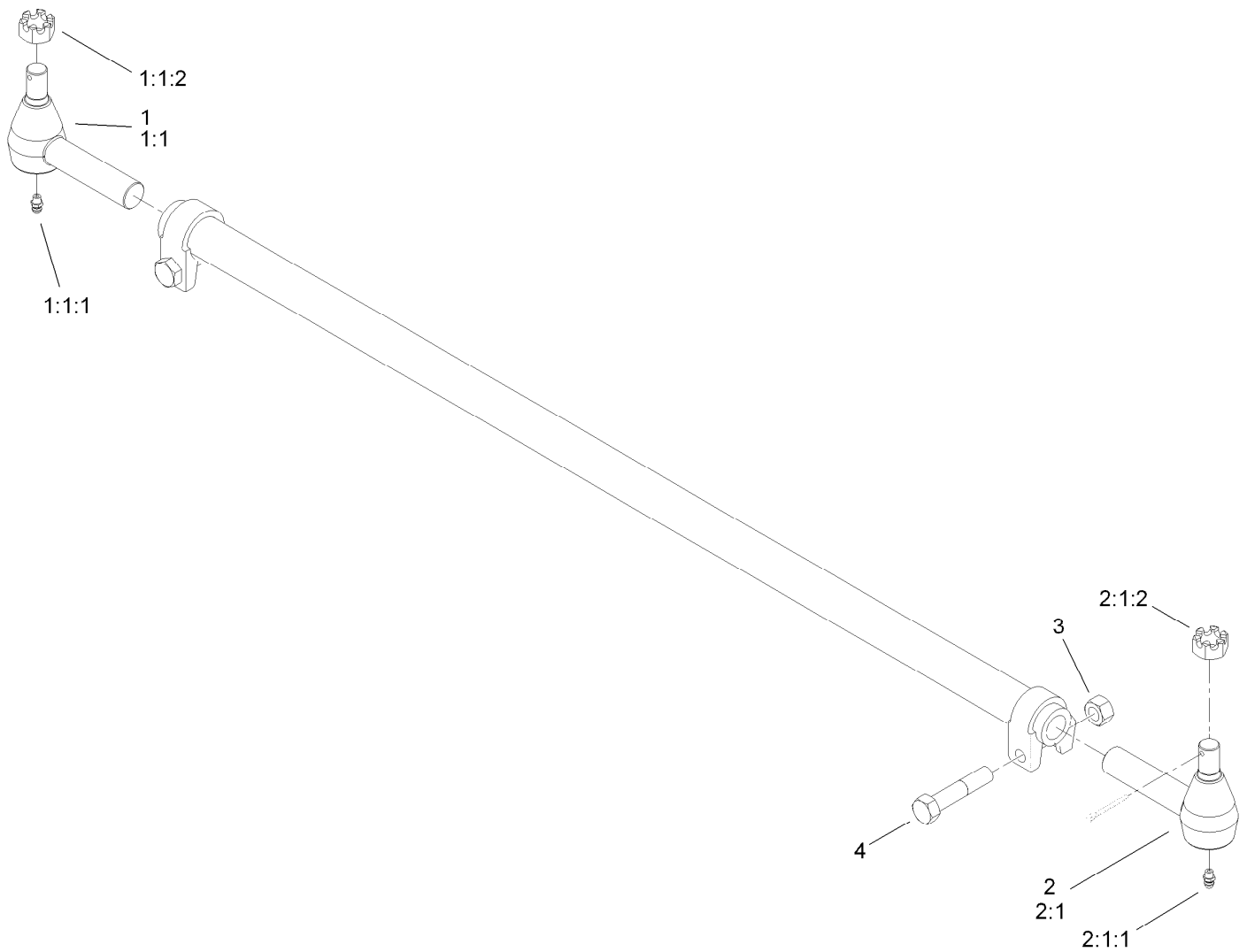
Ref.	Part Number	Qty.	Description	Ref.	Part Number	Qty.	Description
24	10-6830	12	Stud-Type, Drive	27	99-5107	2	Nut-Lock
25	117-5198	2	Key-Square	28	30-8770	2	Washer
26	325-6	2	Screw-HH				

● Not serviced separately



Left Rear Wheel Hydraulic Motor Assembly No. 114-5593

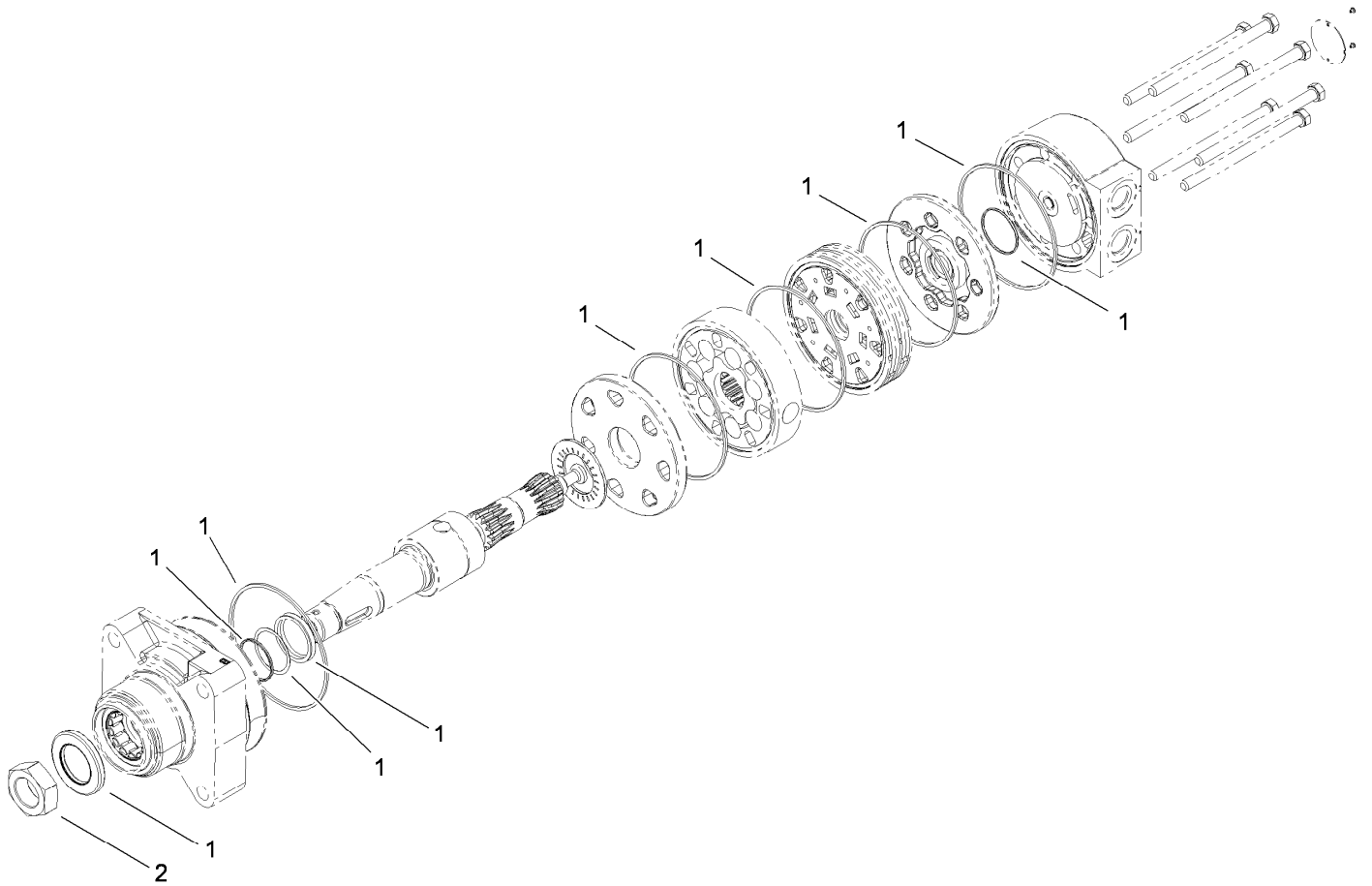
<i>Ref.</i>	<i>Part Number</i>	<i>Qty.</i>	<i>Description</i>
1	100-6131	1	Seal Kit
2	107-9319	1	Nut-Hex



Tie Rod Assembly No. 110-6049-03

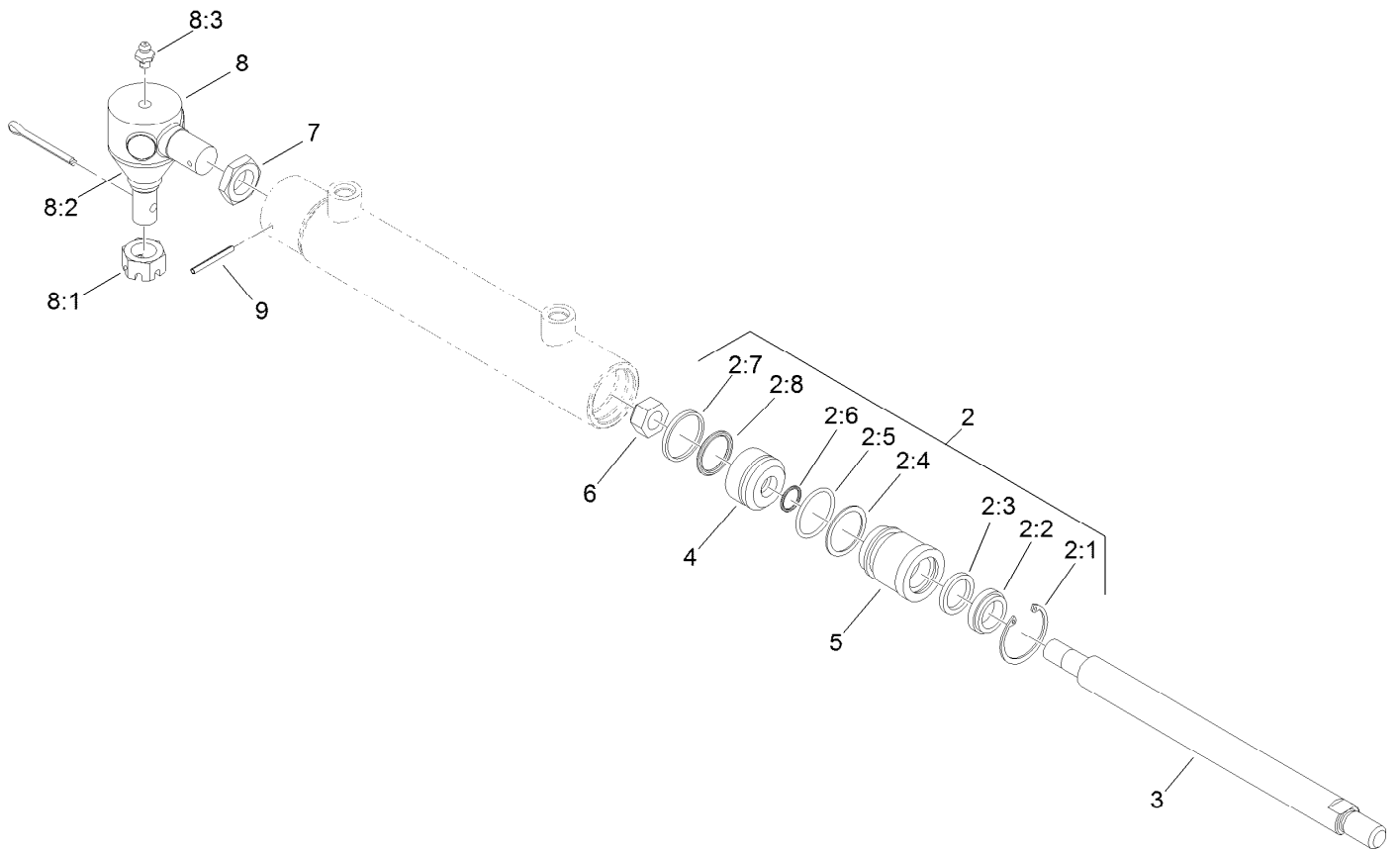
<i>Ref.</i>	<i>Part Number</i>	<i>Qty.</i>	<i>Description</i>
1	110-6141-03	1	RH Tie Rod End ASM
1:1		1	Rod End-Tie, RH ●
1:1:1	302-5	1	Fitting-Grease
1:1:2	32136-2	1	Nut-SHH
2	110-6142-03	1	LH Tie Rod End ASM
2:1		1	Rod End-Tie, LH ●
2:1:1	302-5	1	Fitting-Grease
2:1:2	32136-2	1	Nut-SHH
3	44-2200	1	Screw-Blade
4	32153-7	1	Nut-Lock

● Not serviced separately



Right Rear Wheel Hydraulic Motor Assembly No. 114-5594

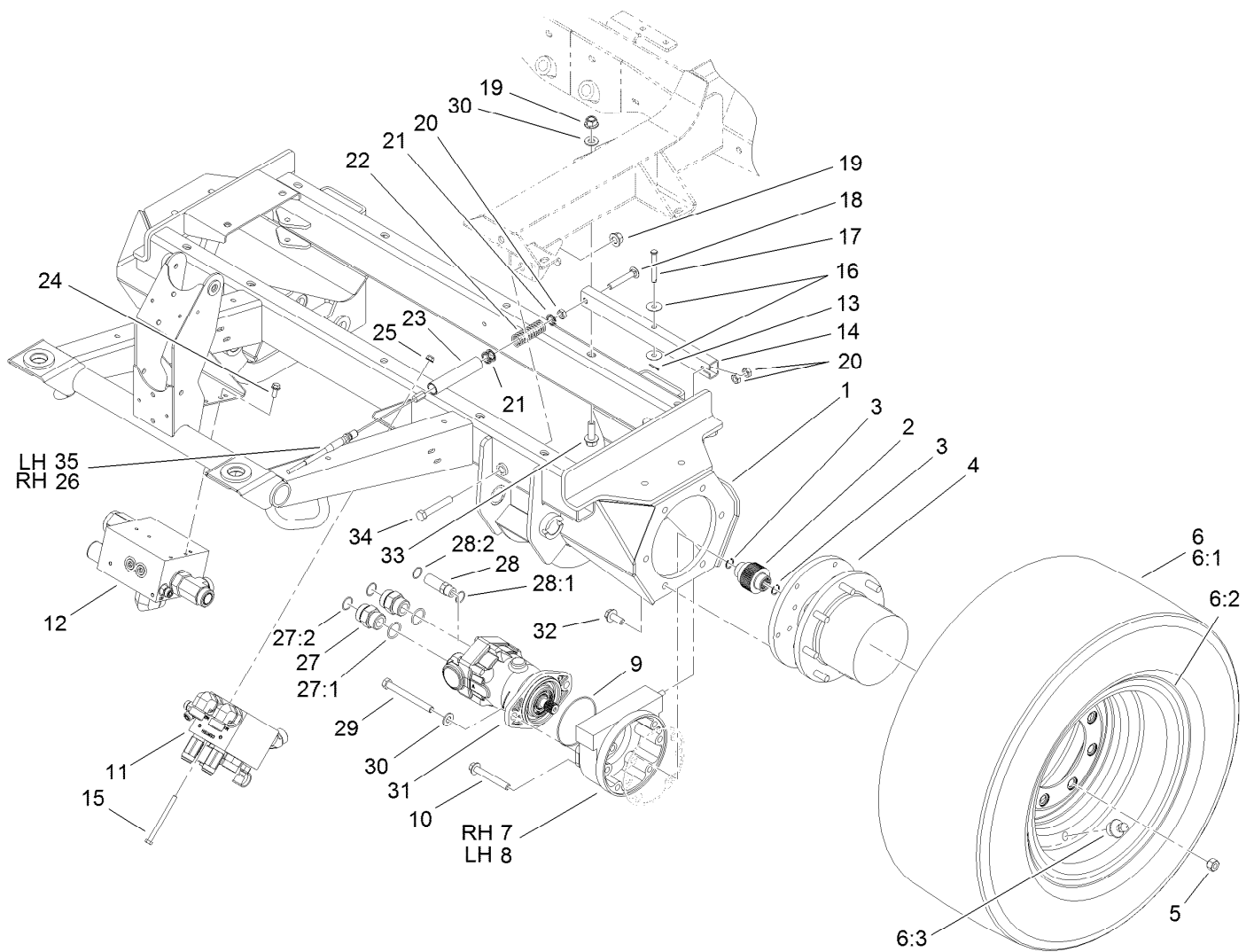
<i>Ref.</i>	<i>Part Number</i>	<i>Qty.</i>	<i>Description</i>
1	100-6131	1	Seal Kit
2	107-9319	1	Nut-Hex



Hydraulic Steering Cylinder Assembly No. 98-0661

Ref.	Part Number	Qty.	Description	Ref.	Part Number	Qty.	Description
2	98-0667	1	Repair Kit	4		1	Ring-Head ●
2:1		1	Ring-Retaining ●	5		1	Piston ●
2:2		1	Wiper-Rod ●	6		1	Nut-Lock ●
2:3		1	Seal-U Cup ●	7	69-1980	1	Nut-Jam
2:4		1	Ring-Back Up ●	8	82-5730	1	Tie Rod End ASM
2:5		1	O-Ring ●	8:1	105-7941	1	Nut-Hex, Slotted
2:6		1	O-Ring ●	8:2	105-7835	1	Seal
2:7		1	Ring-Piston ●	8:3	302-5	1	Fitting-Grease
2:8		1	O-Ring ●	9	32121-34	1	Pin-Roll
3		1	Rod-Piston ●				

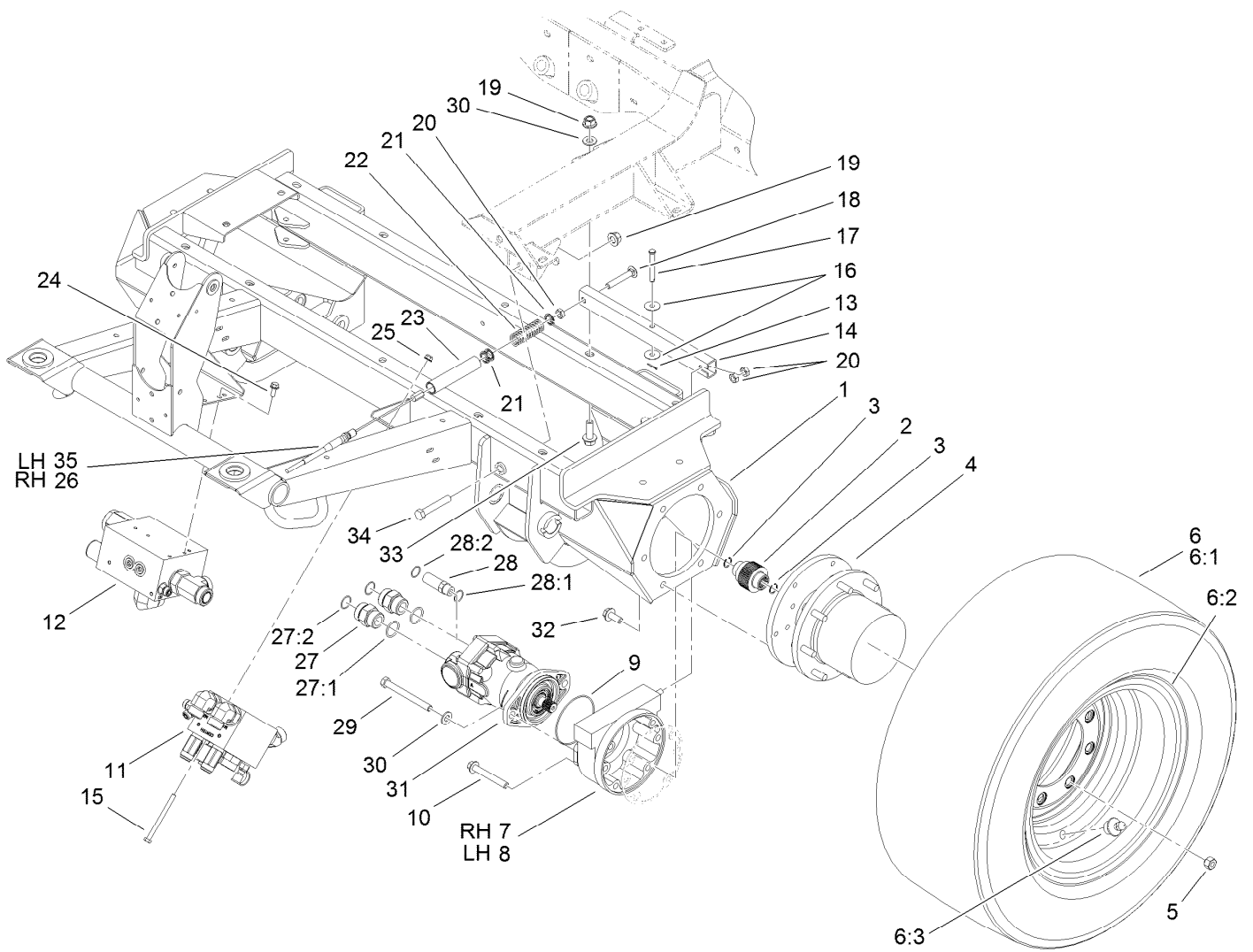
● Not serviced separately



Front Axle and Brake Assembly

Ref.	Part Number	Qty.	Description	Ref.	Part Number	Qty.	Description
1	110-5974-01	1	Frame-Axle, Front	16	105-6814	4	Washer-Plain
2	100-3046	2	Shaft-Brake, Splined	17	283-52	2	Pin-Clevis
3	93-7972	4	Ring-Retaining, Internal	18	3232-17	2	Screw-CARR
4	105-4500	2	Planetary ASM	19	99-5107	10	Nut-Lock
5	92-7483	16	Nut-Lug	20	3218-4	6	Nut-Jam
6	114-4860	2	Wheel And Tire ASM	21	94-3050	6	Plate-Spring
6:1	114-4861	1	Tire	22	94-3088	2	Spring-Compression
6:2	114-4862	1	Wheel	23	114-0161	2	Spacer-Plain
6:3	232-24	1	Stem-Valve	24	110-5053	4	Screw-HHF
7	119-8258	1	Brake ASM	25	104-8300	2	Nut-HF, NI
8	119-8259	1	Brake ASM	26	114-0159	1	Cable-Brake, RH
9	237-166	2	O-Ring	27	104-3797	4	Fitting-Straight
10	33106-090	8	Screw-HHF	27:1	237-146	1	O-Ring
11		1	Front PTO Valve ASM ●	27:2	340-65	1	O-Ring
12		1	Traction Valve ASM ●	28	94-2628	2	Fitting-STR
13	3272-6	2	Pin-Cotter	28:1	237-79	1	O-Ring
14	114-0160-03	2	Lever-Brake	28:2	237-30	1	O-Ring
15	322-19	2	Screw-HH	29	33116-120	4	Screw-HH

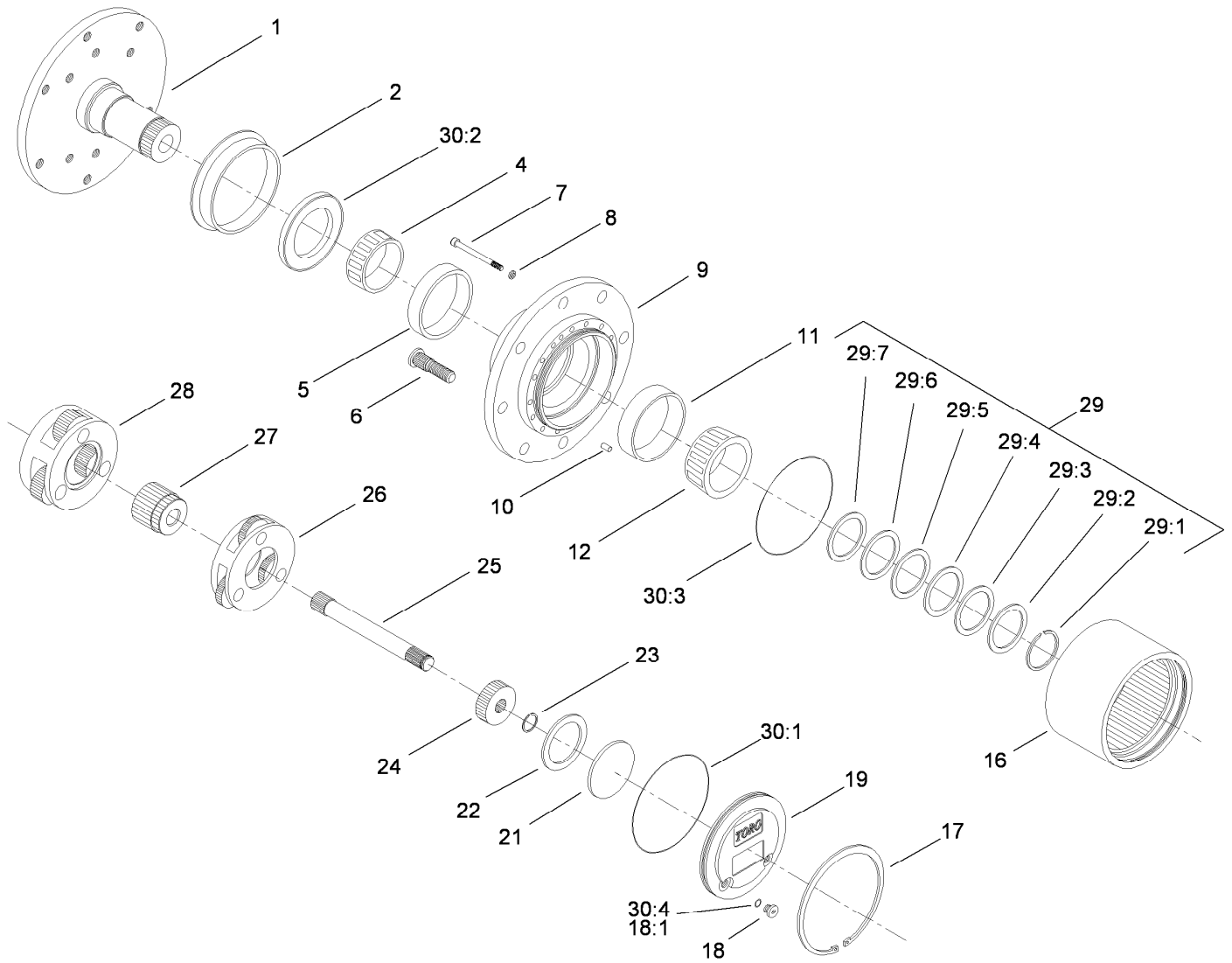
● Not serviced separately



Front Axle and Brake Assembly (continued)

<i>Ref.</i>	<i>Part Number</i>	<i>Qty.</i>	<i>Description</i>	<i>Ref.</i>	<i>Part Number</i>	<i>Qty.</i>	<i>Description</i>
30	3256-26	12	Washer-Flat	33	100-6116	8	Screw-HHF
31	114-4849	2	Piston Motor ASM	34	325-12	2	Screw-HH
32	33106-030	12	Screw-HHF	35	114-0158	1	Cable-Brake, LH

● Not serviced separately

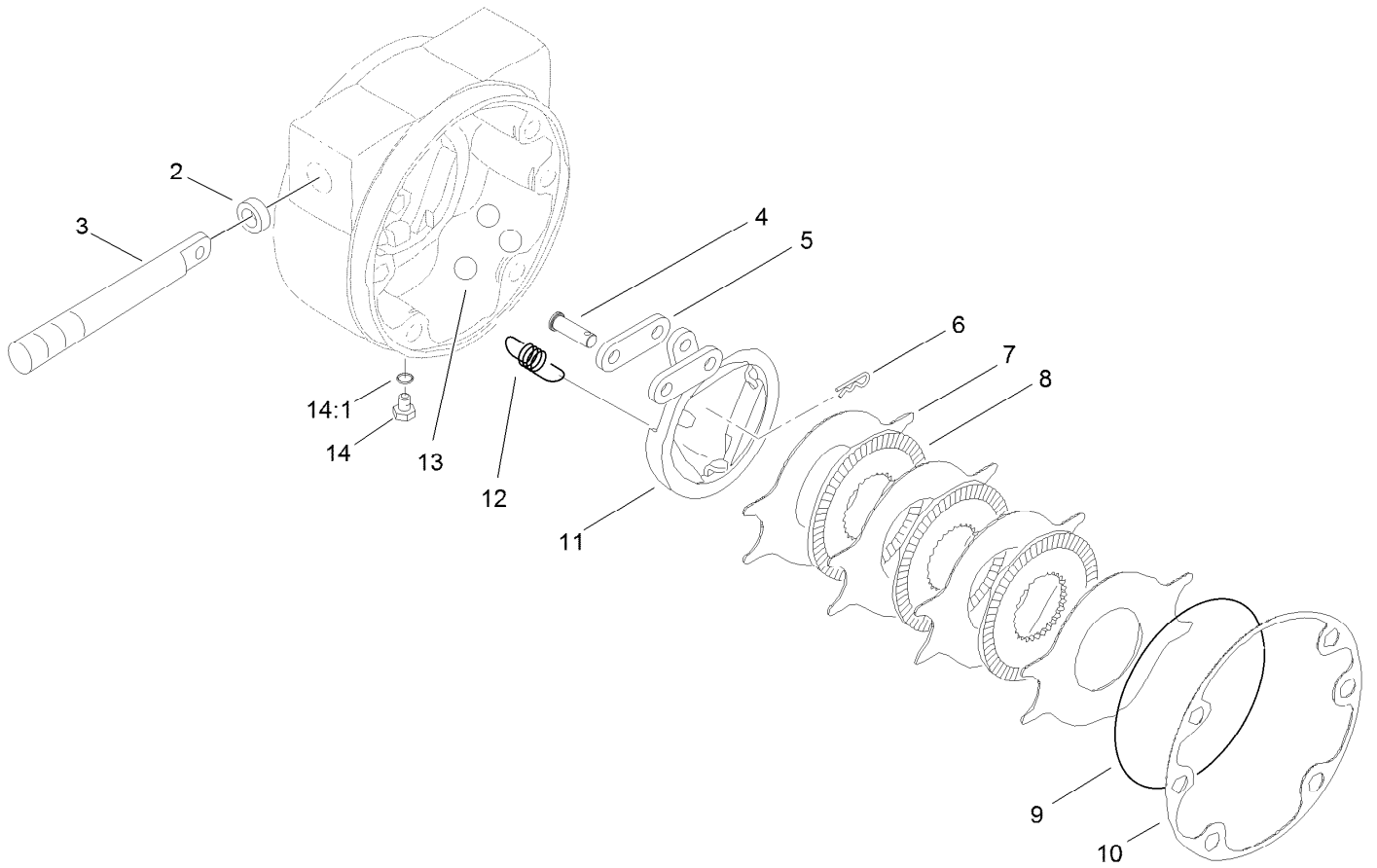


Planetary Assembly No. 105-4500

Ref.	Part Number	Qty.	Description	Ref.	Part Number	Qty.	Description
1		1	Spindle ■	24	105-8114	1	Gear-Primary
2	105-8122	1	Seal-Boot	25	105-8115	1	Shaft-Drive
4	105-8120	1	Bearing-Cone	26	105-8129	1	Carrier-Primary
5	105-8119	1	Bearing-Cup	27	105-8139	1	Gear-Secondary
6	105-8124	8	Stud-Wheel	28	105-8130	1	Carrier-Secondary
7	105-8125	16	Bolt-Head, Socket	29	105-8136	1	Shim Kit
8	3253-18	16	Washer-Lock	29:1		1	Ring-Snap ■
9		1	Housing ■	29:2		1	Shim-Bearing, 2.9Mm ■
10	105-8121	1	Pin-Dowel	29:3		1	Shim-Bearing, 2.8Mm ■
11	105-8117	1	Bearing-Cup	29:4		1	Shim-Bearing, 2.7Mm ■
12	105-8118	1	Bearing-Cone	29:5		1	Shim-Bearing, 2.6Mm ■
16	105-8113	1	Gear-Ring	29:6		1	Shim-Bearing, 2.5Mm ■
17	105-8132	1	Ring-Retaining	29:7		1	Shim-Bearing, 2.4Mm ■
18	353-990	2	Plug ASM	30	105-8137	1	Seal Kit ●
18:1	237-78	1	O-Ring	30:1		1	O Ring-Flange Cap ■
19	105-8138	1	Cap-End	30:2		1	Seal-Oil ■
21	105-8133	1	Plug-Thrust	30:3		2	O Ring-End Cap ■
22	105-8123	1	Washer-Thrust	30:4	237-78	2	O-Ring
23	105-8131	1	Ring-Retaining				

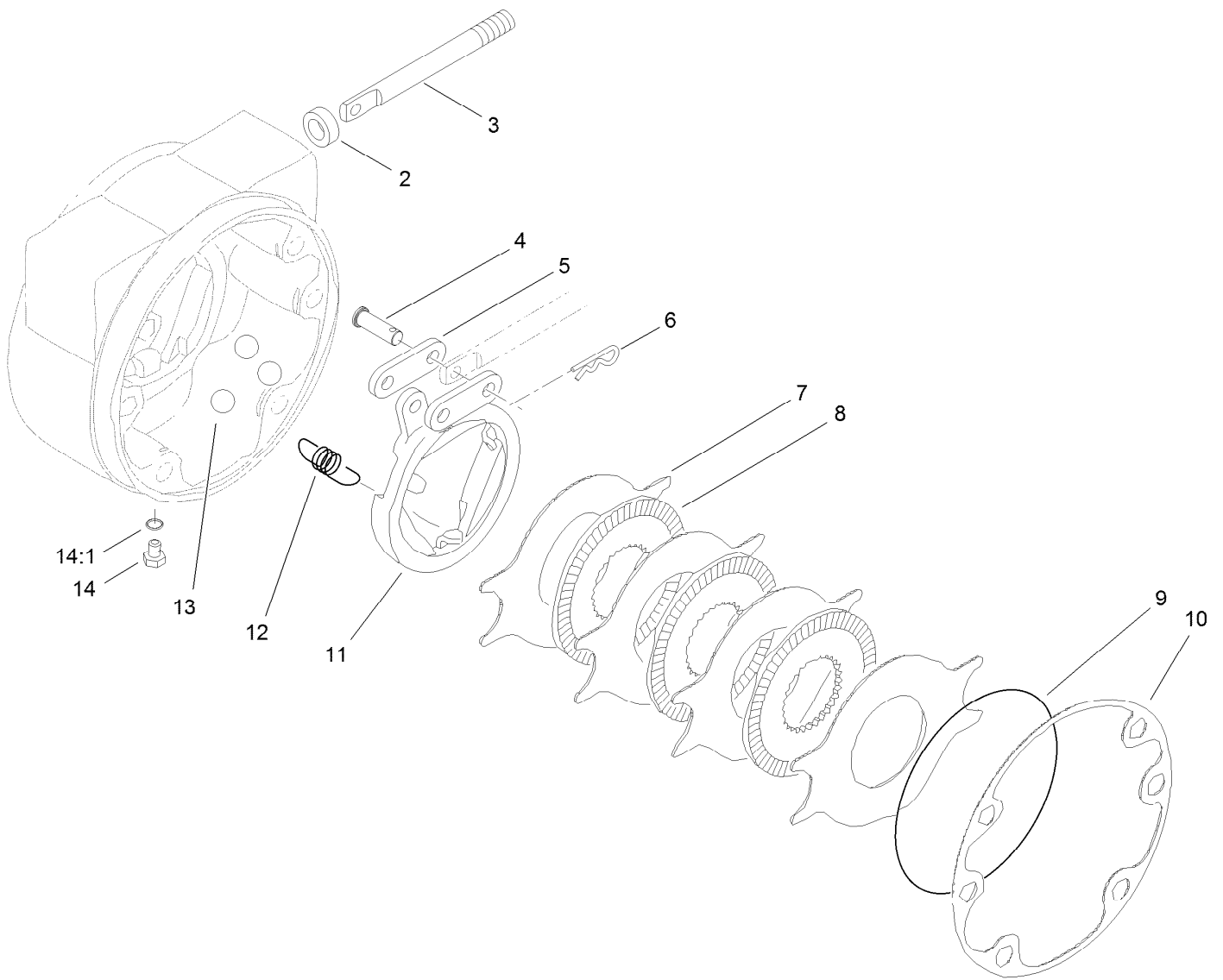
● Not illustrated

■ Not serviced separately



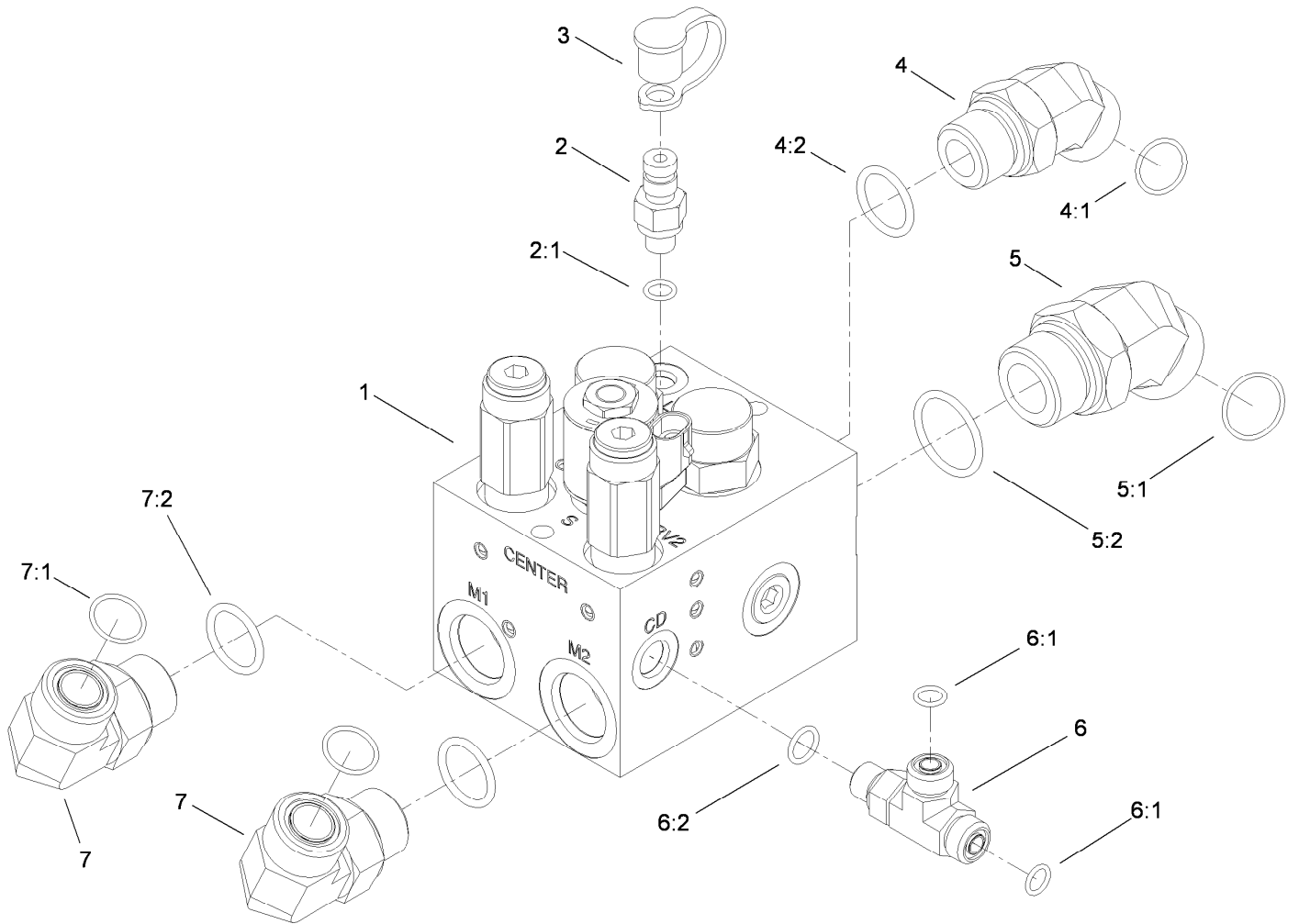
Brake Assembly No. 119-8258

<i>Ref.</i>	<i>Part Number</i>	<i>Qty.</i>	<i>Description</i>
2	93-7977	1	Seal
3	93-7978	1	Rod-Pull
4	93-7983	2	Pin-Clevis
5	93-7980	2	Link
6	93-7979	2	Pin-Hitch
7	93-7986	4	Disc-Stationary
8	119-8257	3	Disc-Rotating, Metallic
9	93-7976	1	Ring-Retaining
10	93-7984	1	Gasket
11	104-4280	1	Actuator-Rotating
12	93-7987	3	Spring-Extension
13	93-7985	3	Ball
14	353-990	2	Plug ASM
14:1	237-78	1	O-Ring



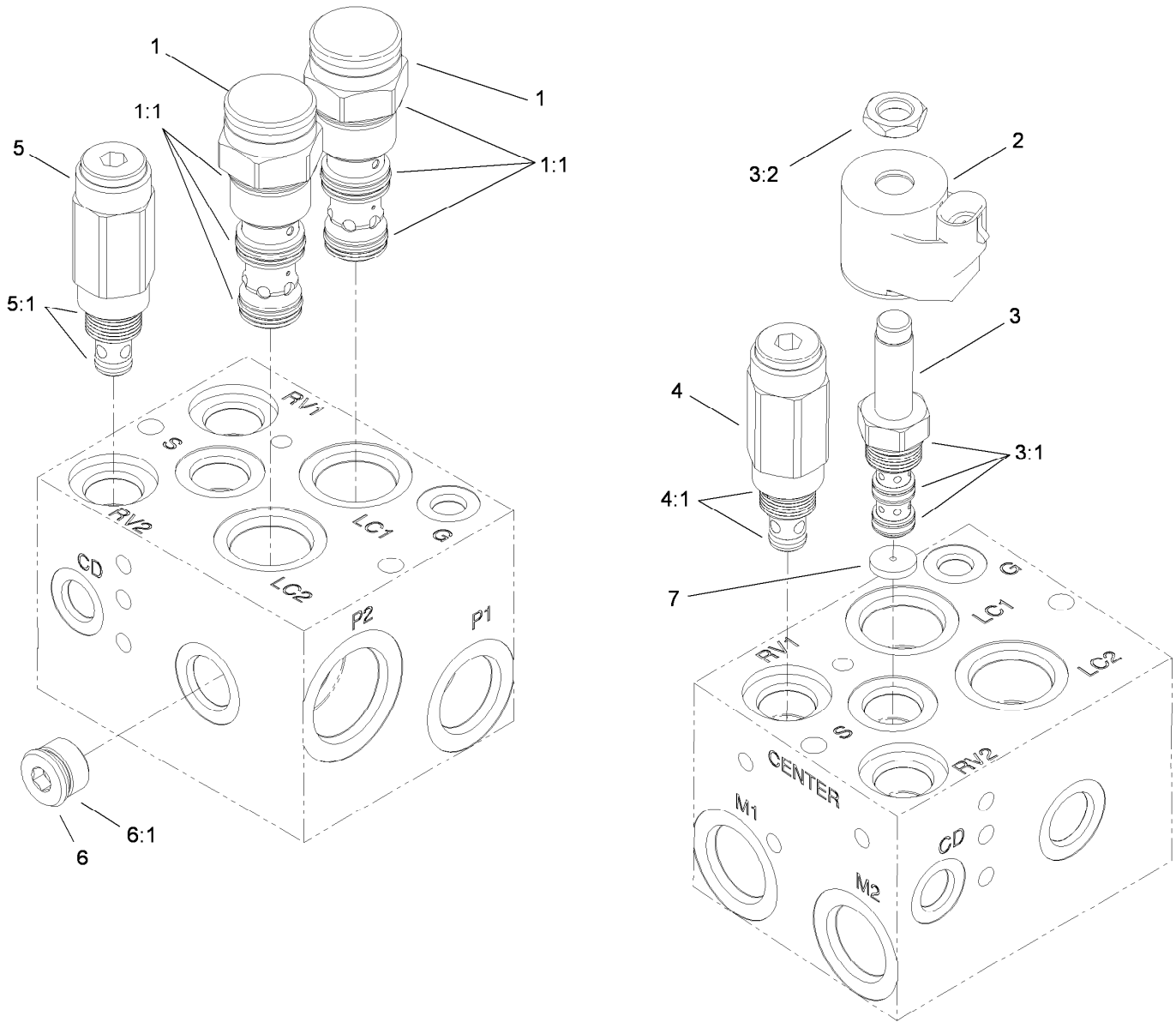
Brake Assembly No. 119-8259

<i>Ref.</i>	<i>Part Number</i>	<i>Qty.</i>	<i>Description</i>
2	93-7977	1	Seal
3	93-7978	1	Rod-Pull
4	93-7983	2	Pin-Clevis
5	93-7980	2	Link
6	93-7979	2	Pin-Hitch
7	93-7986	4	Disc-Stationary
8	119-8257	3	Disc-Rotating, Metallic
9	93-7976	1	Ring-Retaining
10	93-7984	1	Gasket
11	104-4279	1	Actuator-Rotating
12	93-7987	3	Spring-Extension
13	93-7985	3	Ball
14	353-990	2	Plug ASM
14:1	237-78	1	O-Ring



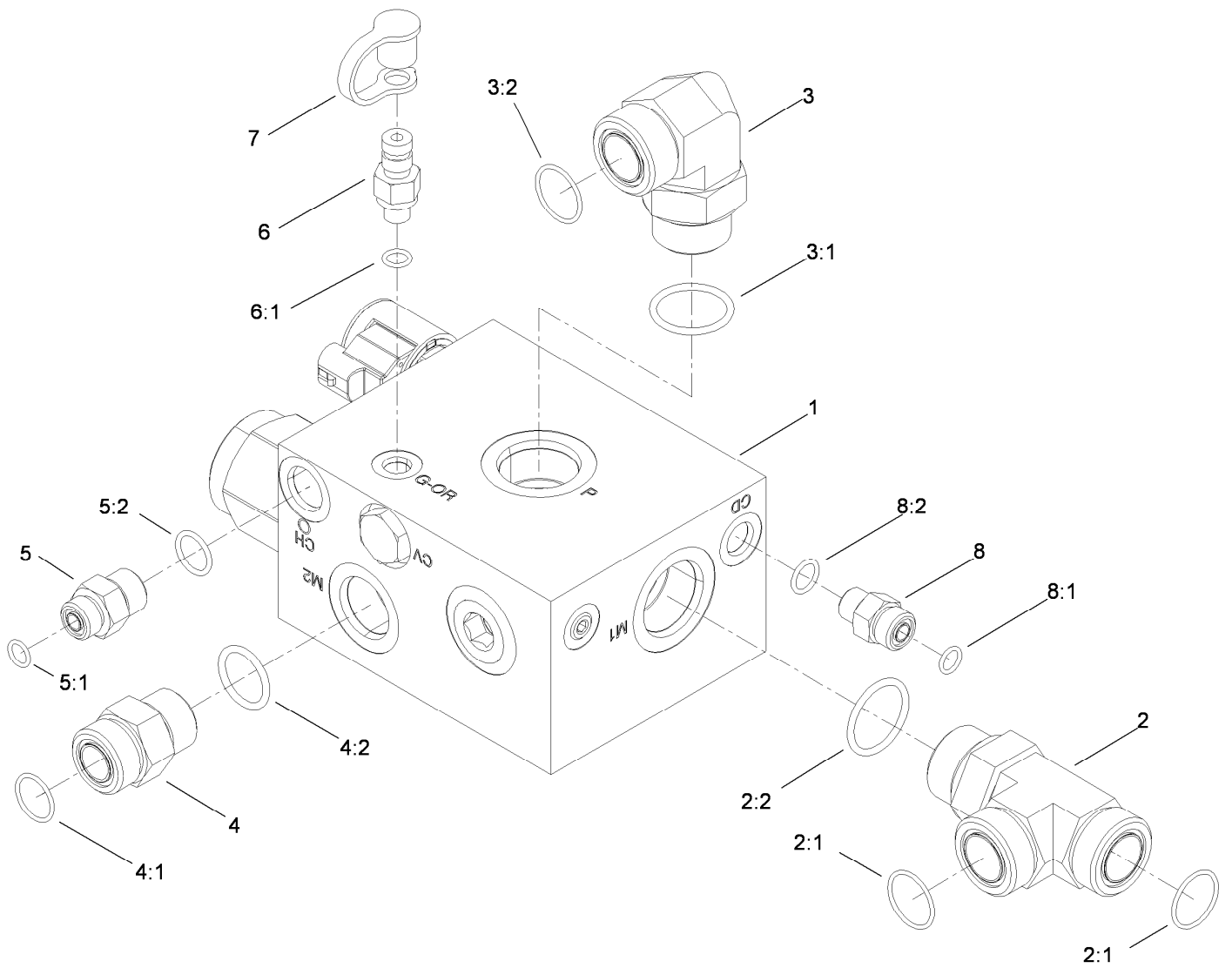
Front PTO Valve Assembly

<i>Ref.</i>	<i>Part Number</i>	<i>Qty.</i>	<i>Description</i>	<i>Ref.</i>	<i>Part Number</i>	<i>Qty.</i>	<i>Description</i>
1	117-1110	1	Manifold-PTO, Front	5:1	237-146	1	O-Ring
2	354-77	1	Fitting-Quick	5:2	340-65	1	O-Ring
2:1	237-78	1	O-Ring	6	340-86	1	Fitting-Tee
3	354-79	1	Cap-Dust	6:1	237-22	2	O-Ring
4	100-5530	1	Fitting-45 DEG	6:2	237-42	1	O-Ring
4:1	237-58	1	O-Ring	7	340-142	2	Fitting-Elbow-90
4:2	237-81	1	O-Ring	7:1	237-58	1	O-Ring
5	104-3509	1	Fitting-HYD, 45 DEG	7:2	237-81	1	O-Ring



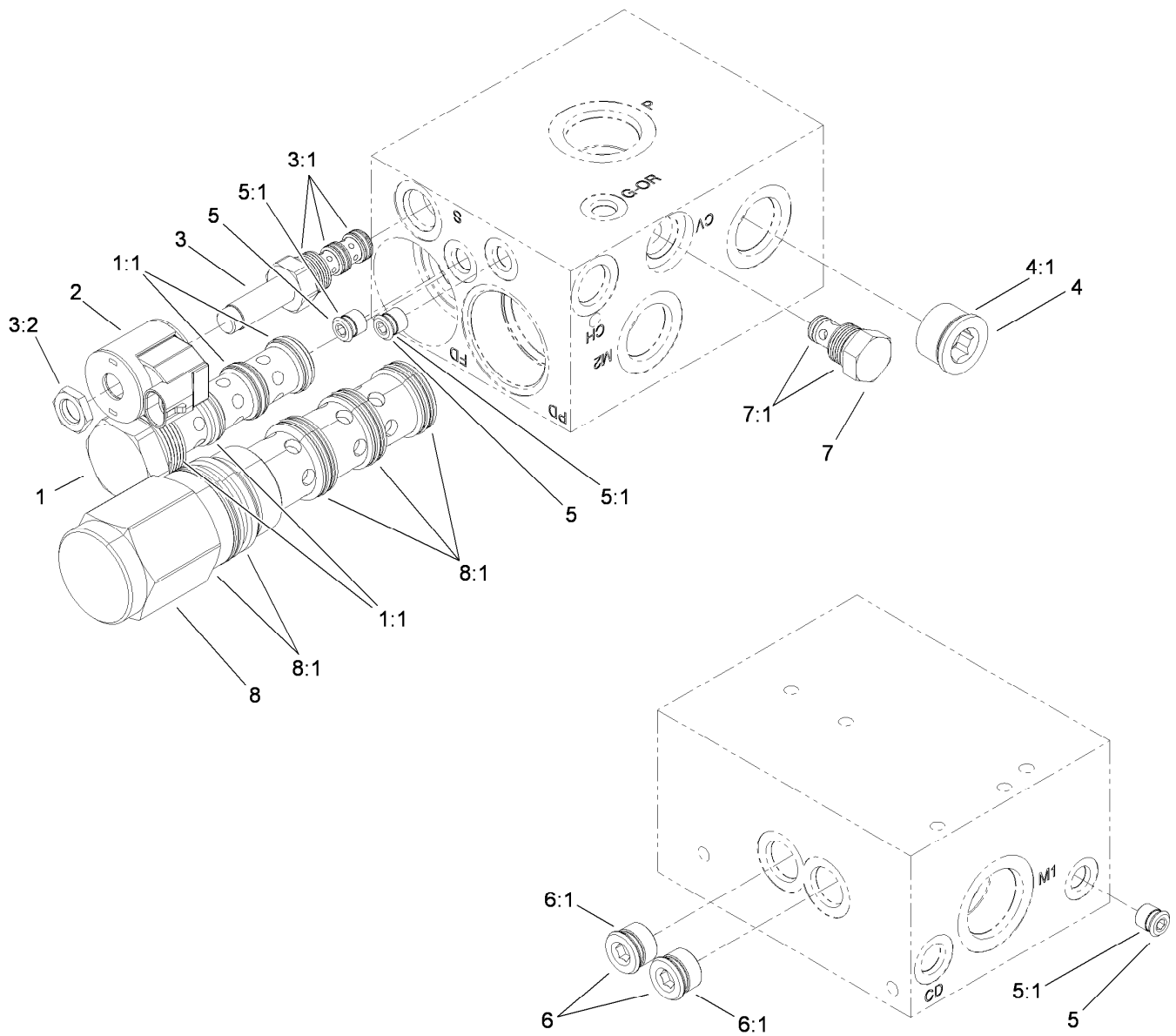
Hydraulic PTO Manifold Assembly No. 117-1110

Ref.	Part Number	Qty.	Description
1	114-5511	2	Cartridge-Logic
1:1	119-8048	1	Seal Kit
2	105-9333	1	Coil-12Vdc
3	110-0494	1	Valve-Solenoid
3:1	110-8773	1	Seal Kit
3:2	110-2634	1	Nut-Coil
4	114-5510	1	Valve-Relief, 3000 PSI
4:1	105-9156	1	Seal Kit
5	114-5512	1	Valve-Relief, 600 PSI
5:1	105-9156	1	Seal Kit
6	106-1027	1	Plug-HYD
6:1	237-79	1	O-Ring
7	117-2791	1	Disc-Orifice (.050)



Traction Valve Assembly

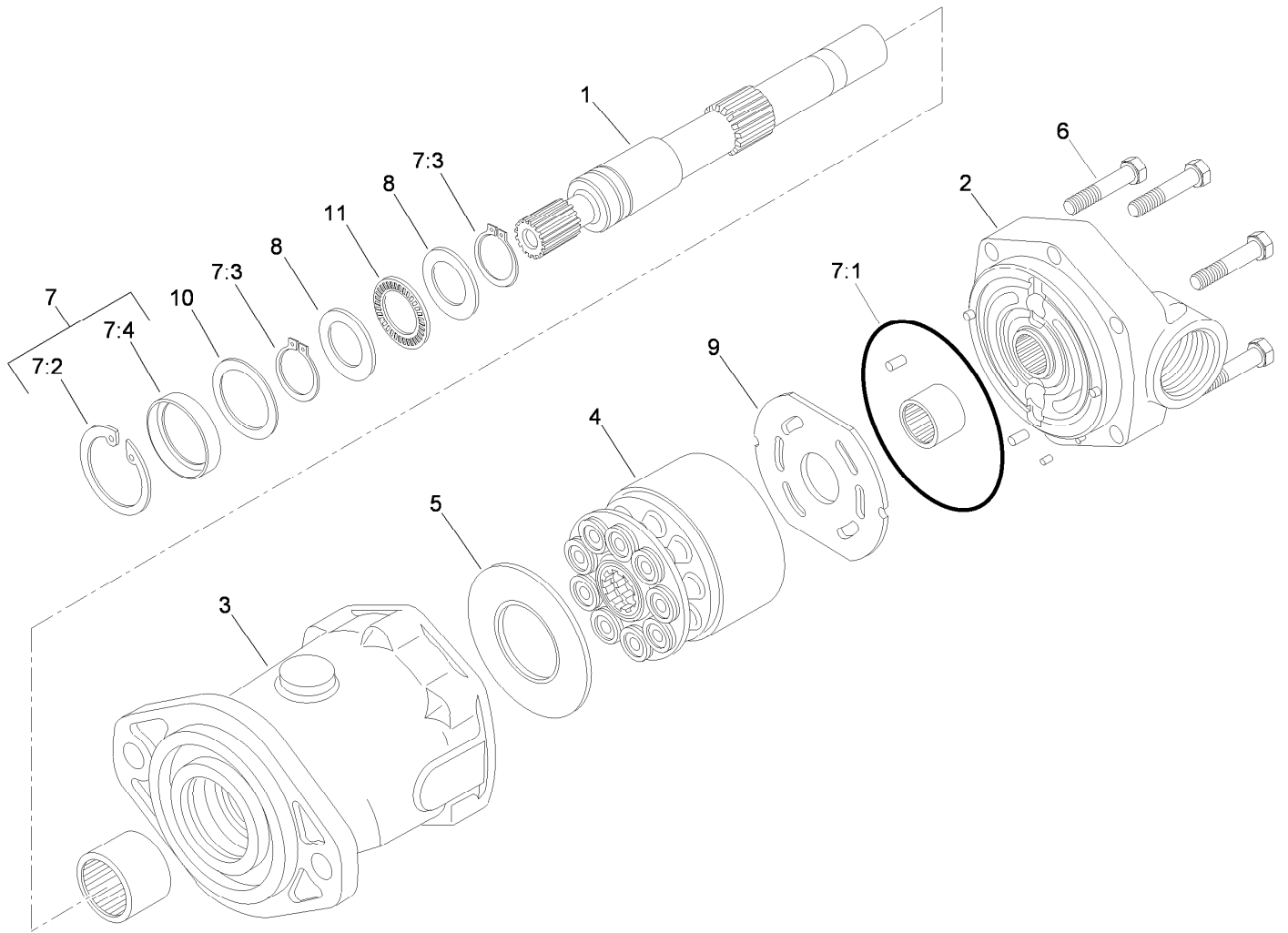
<i>Ref.</i>	<i>Part Number</i>	<i>Qty.</i>	<i>Description</i>	<i>Ref.</i>	<i>Part Number</i>	<i>Qty.</i>	<i>Description</i>
1	110-6062	1	Manifold-Traction	5	340-3	1	Fitting-Straight
2	104-3795	1	Fitting-Tee	5:1	237-22	1	O-Ring
2:1	340-65	2	O-Ring	5:2	237-79	1	O-Ring
2:2	237-146	1	O-Ring	6	354-77	1	Fitting-Quick
3	340-129	1	Fitting-Elbow, 90 DEG	6:1	237-78	1	O-Ring
3:1	237-146	1	O-Ring	7	354-79	1	Cap-Dust
3:2	340-65	1	O-Ring	8	340-2	1	Fitting-Straight
4	340-9	1	Fitting-STR	8:1	237-22	1	O-Ring
4:1	237-58	1	O-Ring	8:2	237-42	1	O-Ring
4:2	237-81	1	O-Ring				



Hydraulic Traction Manifold Assembly No. 110-6062

Ref.	Part Number	Qty.	Description
1	115-5407	1	Divider-Flow, 50/50 Split
1:1	115-5414	1	Seal Kit
2	105-9333	1	Coil-12Vdc
3	110-0494	1	Valve-Solenoid
3:1	110-8773	1	Seal Kit
3:2	110-2634	1	Nut-Coil
4	106-1029	1	Plug-Leak, Zero
4:1	237-81	1	O-Ring

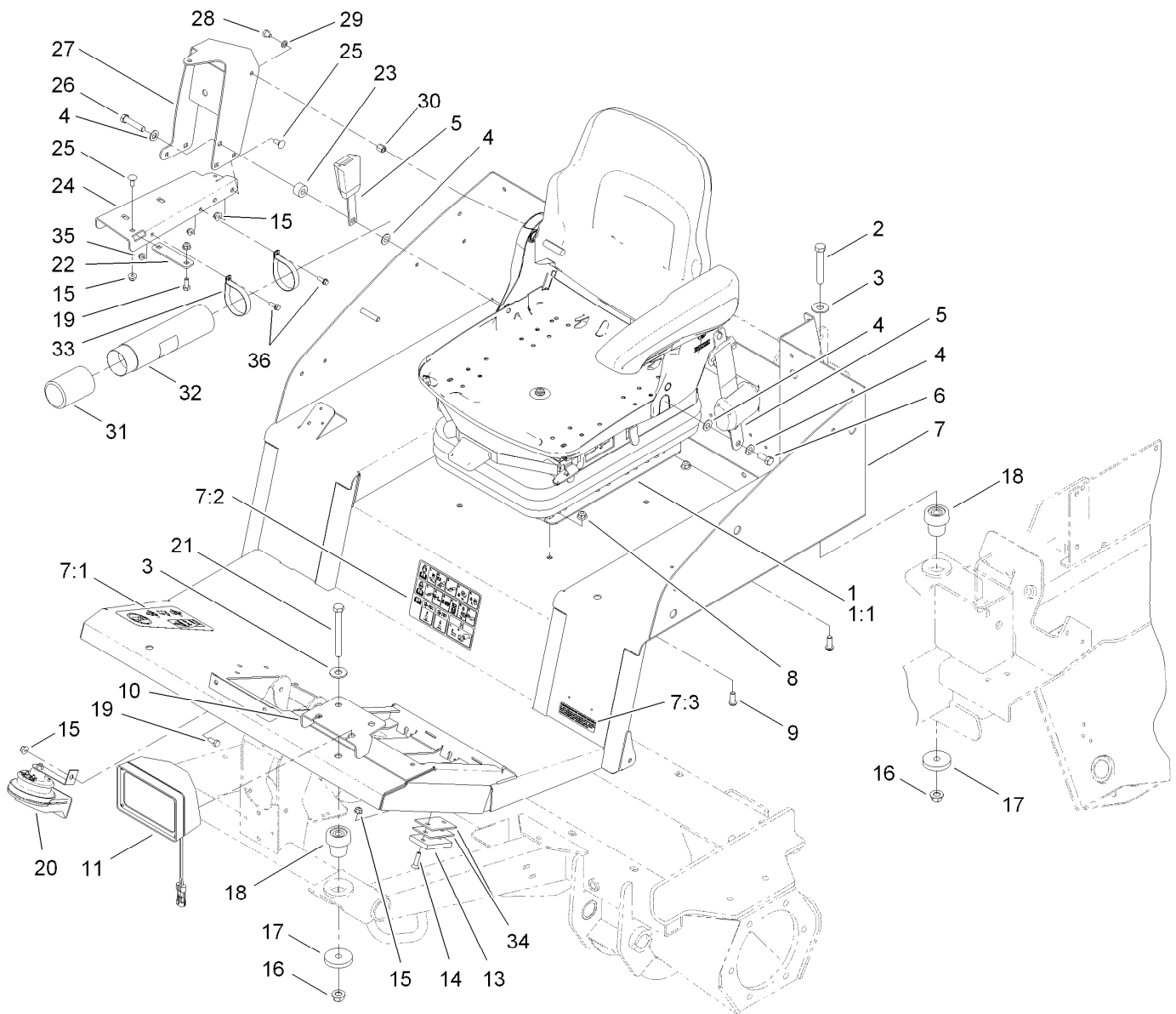
Ref.	Part Number	Qty.	Description
5	353-990	3	Plug ASM
5:1	237-78	1	O-Ring
6	106-1027	2	Plug-HYD
6:1	237-79	1	O-Ring
7	105-9321	1	Check Valve ASM
7:1	105-9156	1	Seal Kit
8	115-5408	1	Valve-Directional, Pilot
8:1	115-5415	1	Seal Kit



Hydraulic Motor Assembly No. 114-4849

Ref.	Part Number	Qty.	Description
1	94-3004	1	Shaft-Drive, Splined
2		1	Backplate ASM ●
3		1	Housing ASM ●
4	76-6910	1	Rotating Kit
5	76-6970	1	Insert-Plate, Cam
6	94-3002	6	Screw-Cap
7	106-6876	1	Seal Kit
7:1		1	O-Ring ●
7:2	76-7010	1	Ring-Retaining
7:3	76-7000	2	Ring-Retaining
7:4		1	Seal-Shaft ●
8	76-6950	2	Race-Thrust
9	94-3003	1	Plate-Valve
10	60-6240	1	Washer
11	76-6960	1	Bearing-Thrust

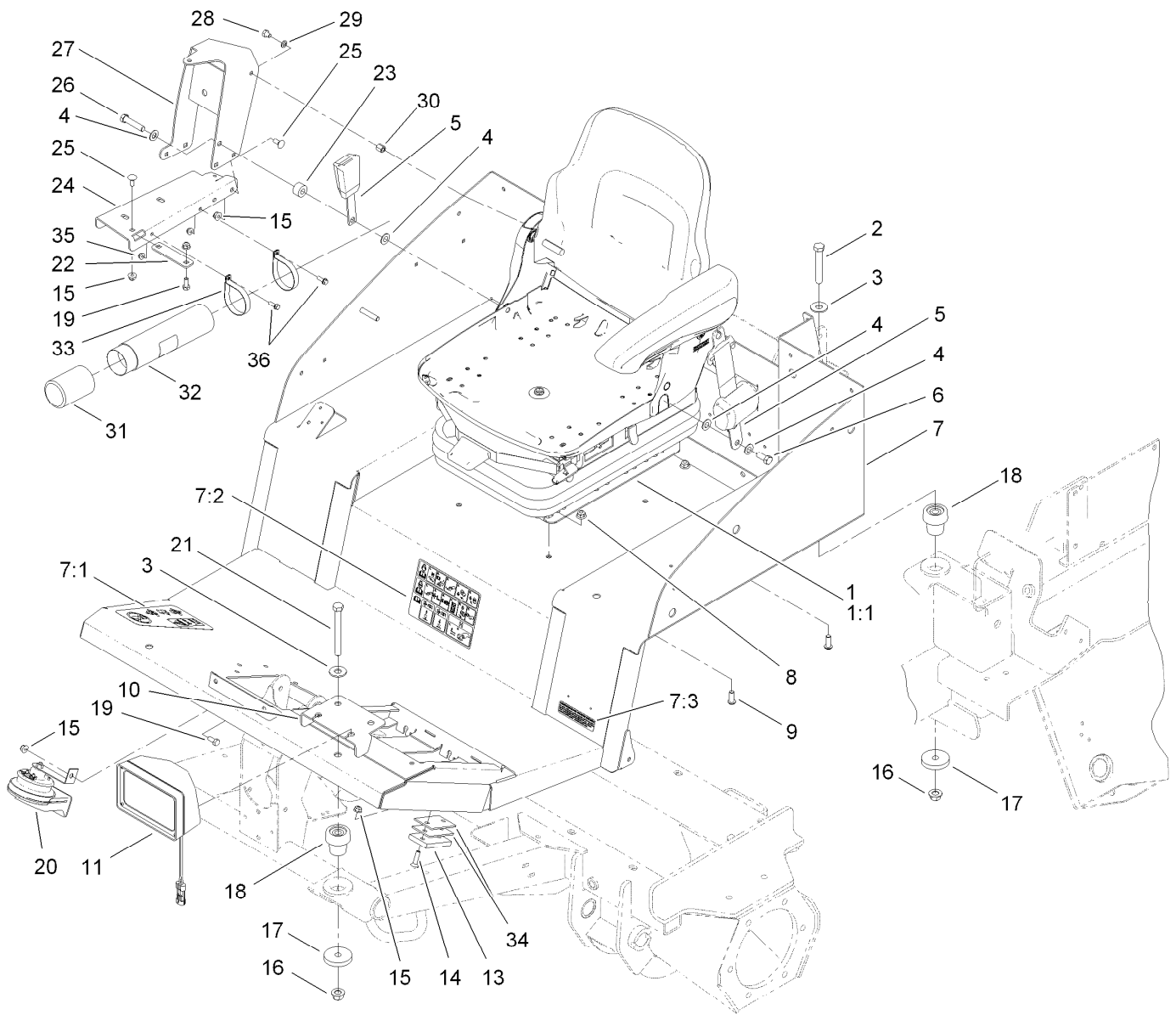
● Not serviced separately



Seat and Platform Assembly

Ref.	Part Number	Qty.	Description	Ref.	Part Number	Qty.	Description
1		1	Seat And Suspension ASM	14	32108-103	4	Screw-FH
1:1	108-1488	1	Seat Suspension ASM	15	104-8300	11	Nut-HF, NI
2	112-7264	2	Screw-HH	16	99-5107	4	Nut-Lock
3	92-2651	4	Washer	17	115-5519	4	Washer-Plain
4	3256-25	4	Washer-Flat	18	110-5954	4	Mount-Center, Bonded
5	110-0413	1	Seatbelt-Retractable	19	322-3	2	Screw-HH
6	3212-4	1	Screw-HH	20	116749	1	Horn
7	117-9400	1	Platform ASM	21	702093	2	Screw-HH
7:1	114-0849	1	Decal-Pedal, Traction	22	112-7449-03	1	Bracket-Support
7:2	114-0846	1	Decal-Instructions, Operating	23	17-7190	1	Spacer-Finger
7:3	117-2718	1	Decal-Arrester, Spark	24	112-7437-03	1	Channel-Support
8	104-8301	4	Nut-HF, NI	25	3230-1	5	Bolt-CARR
9	3274-94	4	Screw-HSBH	26	3212-8	1	Screw-HH
10	114-5600-01	2	Bracket-Headlight	27	112-7446-03	1	Support-Arm
11	114-5928	2	Headlight ASM	28	33114-010	1	Screw-HH
13	69-9290	2	Pad-Bumper	29	3253-4	1	Washer-Lock
				30	112-7405	1	Nut-Hex, Coupling
				31	104-7048	1	Cap-Housing

● Not serviced separately

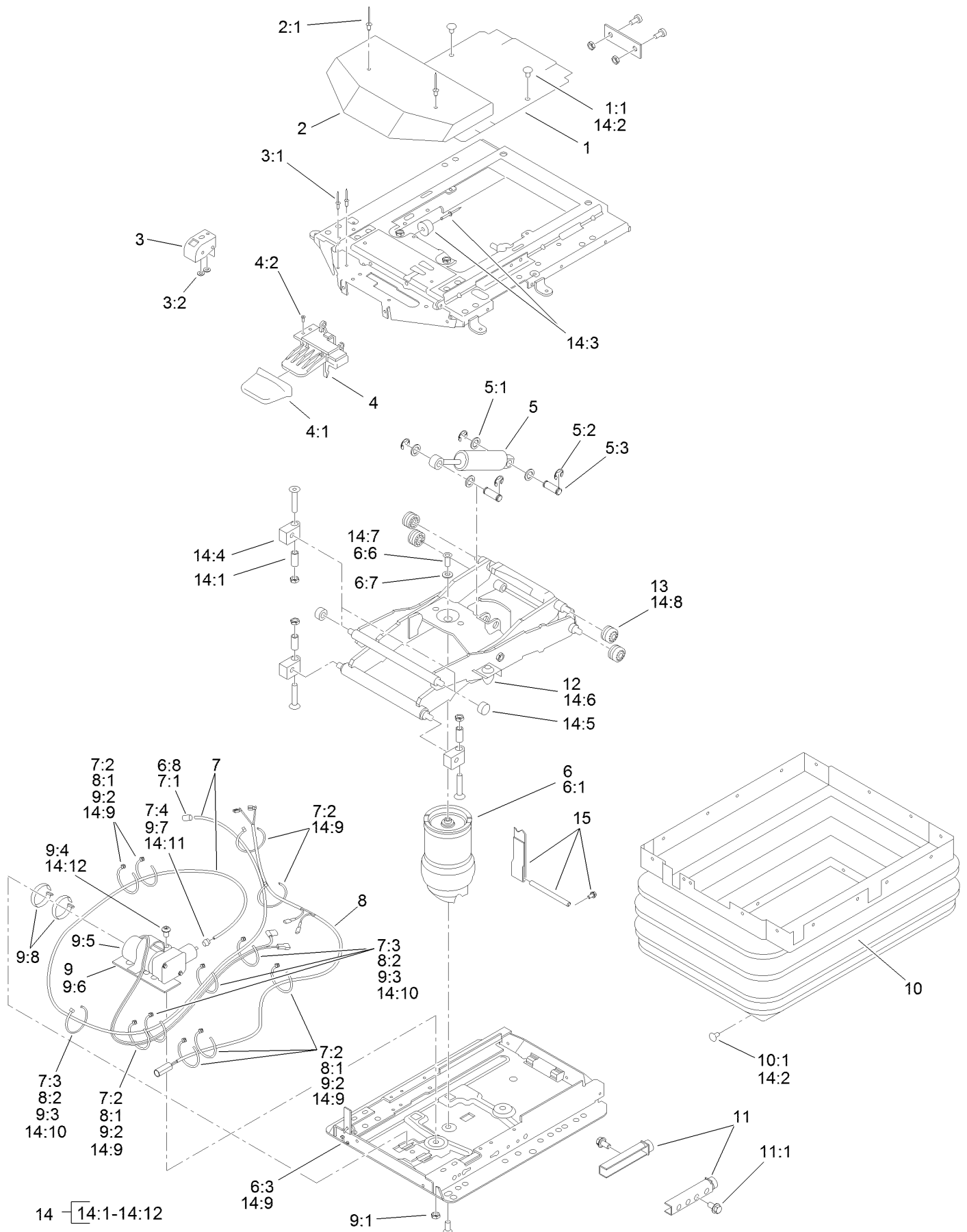


Seat and Platform Assembly (continued)

<i>Ref.</i>	<i>Part Number</i>	<i>Qty.</i>	<i>Description</i>	<i>Ref.</i>	<i>Part Number</i>	<i>Qty.</i>	<i>Description</i>
32	104-7050	1	Tube-Manual	35	104-7201	2	Nut-HF
33	107-1865	2	R-Clamp	36	32105-15	2	Screw-HWH
34	114-5553	4	Shim-Pad				

● Not serviced separately

Air Ride Seat Suspension Assembly No. 108-1488

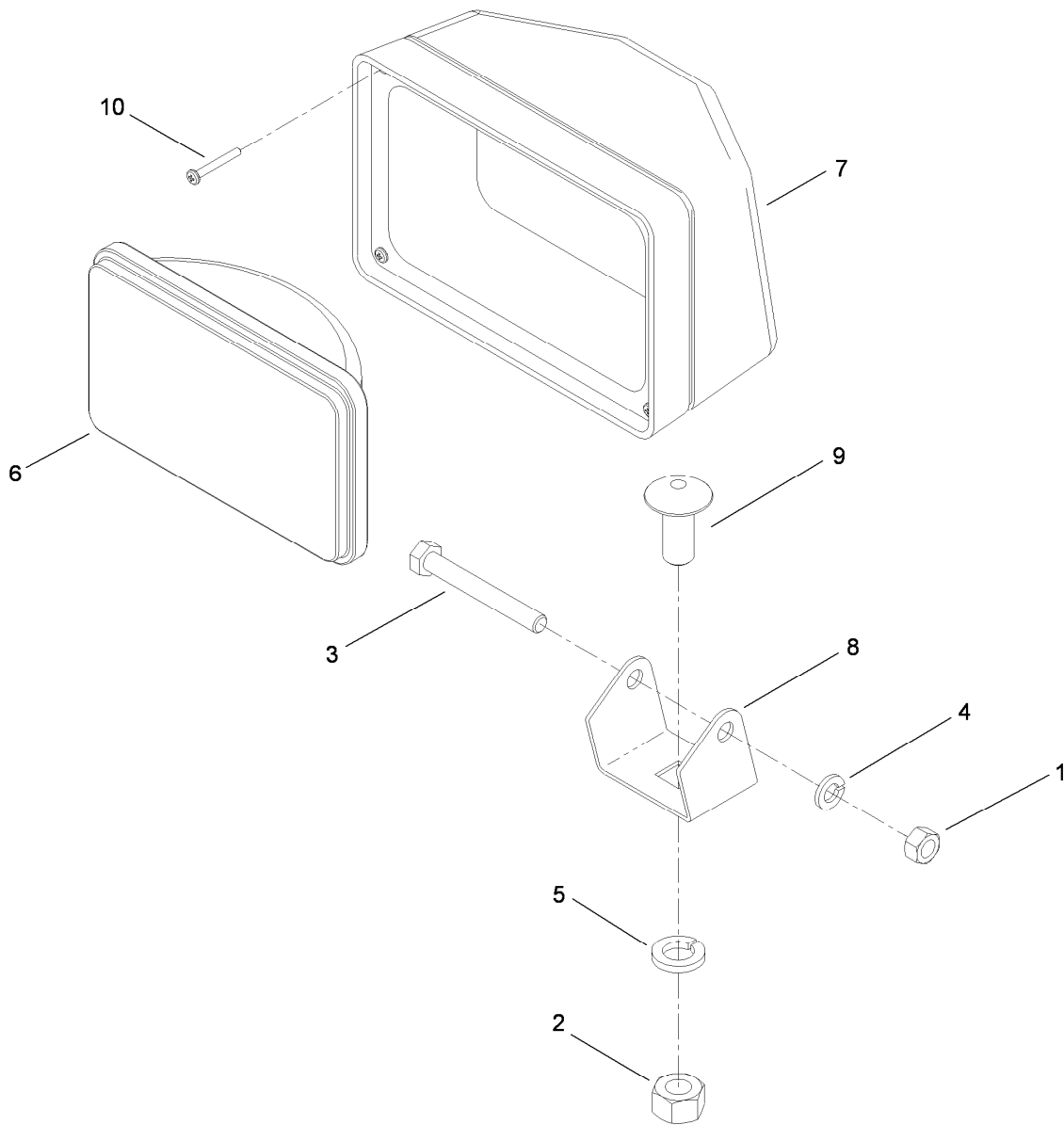


Air Ride Seat Suspension Assembly No. 108-1488 (continued)

<i>Ref.</i>	<i>Part Number</i>	<i>Qty.</i>	<i>Description</i>	<i>Ref.</i>	<i>Part Number</i>	<i>Qty.</i>	<i>Description</i>
1	108-8026	1	Cover ASM	9:1		1	Nut ■
1:1	39-5710	2	Plug-Plastic	9:2		5	Tie-Wire ■
2	108-8027	1	Cover	9:3		4	Tie-Wire ■
2:1		2	Rivet ■	9:4		1	Screw ■
3	108-8028	1	Level Indicator Kit	9:5		1	Compressor ■
3:1		2	Rivet ■	9:6		1	Plate-Mounting ■
3:2		2	Washer ■	9:7		1	Nipple-Hose ■
4	108-8029	1	Valve-Control, Air	9:8		2	Clamp ■
4:1		1	Handle ■	10	108-8035	1	Bellows ASM
4:2		3	Screw ■	10:1	39-5710	23	Plug-Plastic
5	108-8030	1	Shock Absorber Kit	11	108-8036	1	Stop Kit
5:1		4	Washer ■	11:1		2	Screw ■
5:2		4	C-Clip ■	12	107-1213	2	Bumper Set
5:3		2	Pin ■	13	108-8037	4	Roller
6	108-8031	1	Air Spring Kit	14	108-8038	1	Wear Parts Kit ●
6:1		1	Air Spring ■	14:1		4	Spacer ■
6:3		2	Cable Tie ■	14:2	39-5710	2	Plug-Plastic
6:6		2	Screw ■	14:3		1	Bumper ■
6:7		1	Washer ■	14:4		4	Support-Housing ■
6:8		1	Nipple-Hose ■	14:5		2	Roller ■
7	108-8032	1	Air Tube ASM	14:6	107-1213	2	Bumper Set
7:1		1	Nipple-Hose ■	14:7		2	Screw ■
7:2		7	Tie-Wire ■	14:8	108-8037	4	Roller
7:3		4	Tie-Wire ■	14:9		9	Tie-Wire ■
7:4		1	Nipple-Hose ■	14:10		4	Tie-Wire ■
8	108-8033	1	Connecting Cable ASM	14:11		1	Nipple-Hose ■
8:1		8	Tie-Wire ■	14:12		1	Screw ■
8:2		4	Tie-Wire ■	15	119-2161	1	Tether Kit
9	108-8034	1	Compressor Kit				

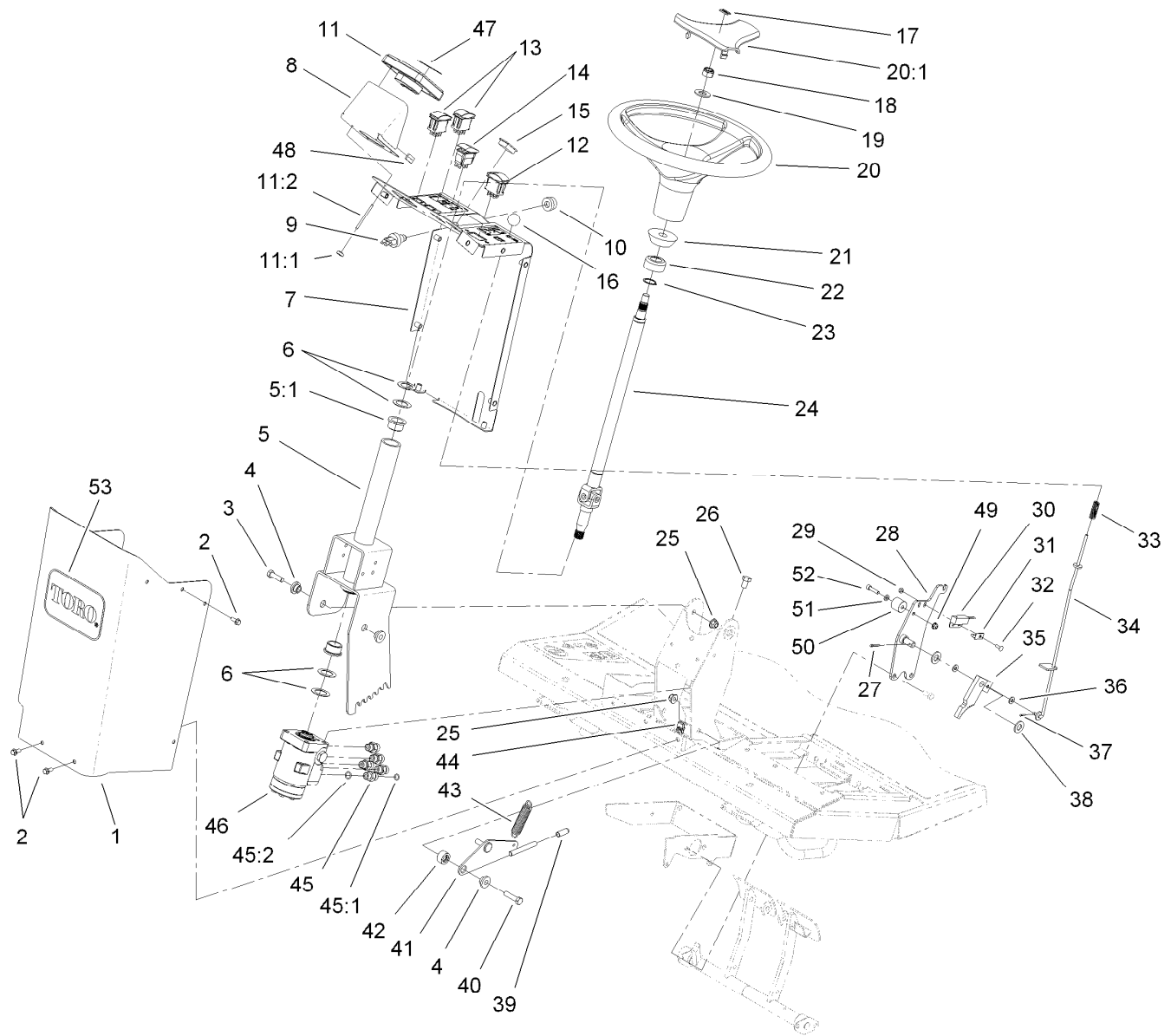
● Not illustrated

■ Not serviced separately



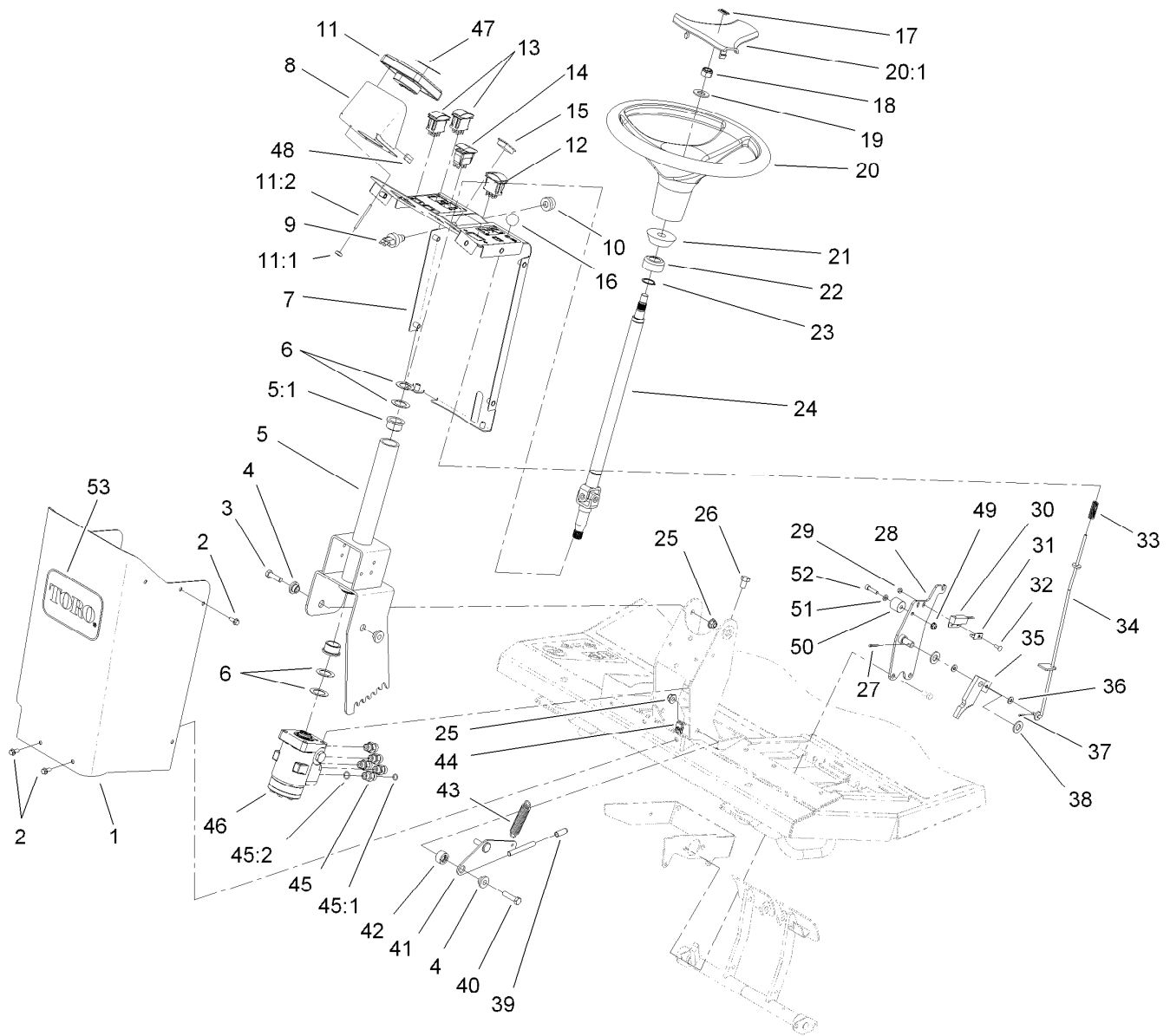
Head Light Assembly No. 114-5928

<i>Ref.</i>	<i>Part Number</i>	<i>Qty.</i>	<i>Description</i>
1	3217-6	1	Nut-Hex
2	3217-9	1	Nut-HH
3	322-12	1	Screw-HH
4	3253-4	1	Washer-Lock
5	3253-7	1	Washer-Lock
6	92-6595	1	Lamp-Beam, Sealed
7	92-6596	1	Bezel
8	92-6597	1	Bracket-Mounting
9	92-6598	1	Bolt-Carriage, Drilled
10	92-6599	4	Screw



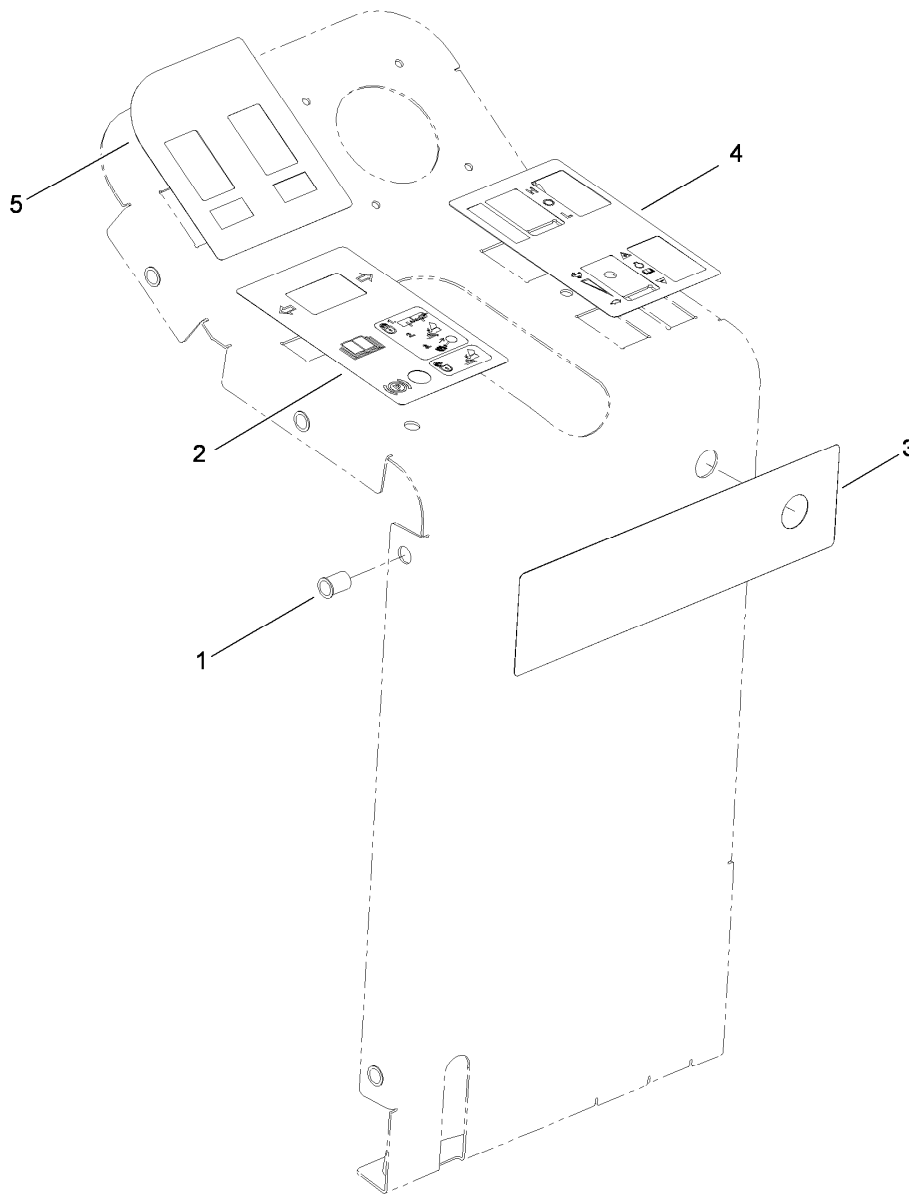
Steering Column Assembly

Ref.	Part Number	Qty.	Description	Ref.	Part Number	Qty.	Description
1	117-5493-01	1	Cover-Steering Tower, Front	19	3256-27	1	Washer-Flat
2	3234-33	12	Screw-HHF	20	98-1471	1	Wheel-Steering
3	323-7	2	Screw-HH	20:1	98-1468	1	Cover-Wheel, Steering
4	93-5988	3	Hub-Pivot	21	93-5429	1	Collar-Foam
5	114-0167	1	Steering Column ASM	22	93-5439	1	Seal-Steering
5:1	256-132	2	Bushing-Flange	23	32151-29	2	Ring-Retaining
6	9547	4	Washer-Thrust	24	93-5428	1	Shaft-Steering
7	117-5492	1	Steering Tower ASM	25	104-8301	3	Nut-HF, NI
8	115-5447-01	1	Guard-Visor	26	33115-016	4	Screw-HH
9	112-3324	1	Switch-Horn	27	3272-10	1	Pin-Cotter
10	112-3313	1	Nut-Weatherproof	28	114-0190-03	1	Pivot-Parking, Brake
11	119-7789	1	Display-LCD	29	3296-2	1	Nut-Lock, NI
11:1	115-8884	4	Nut-Thumb	30	100-1270	1	Switch-Proximity
11:2	115-8885	4	Stud	31	100-4872	1	Plate-Switch, Neutral
12	107-8034	1	Switch-Rocker, On-Off-On	32	3229-34	1	Screw-CARR
13	100-1535	2	Switch	33	95-1821-03	1	Spring-Compression
14	112-3530	1	Switch-Rocker, On-On-On	34	114-0195	1	Rod-Parking, Brake
15	99-7420	3	Plug-Hole	35	63-7900-03	1	Rack
16	233-17	1	Knob	36	3256-22	2	Washer-Flat
17	98-1459	1	Decal	37	3272-5	1	Pin-Cotter
18	108-9342	1	Nut-Hex	38	3256-26	2	Washer-Flat



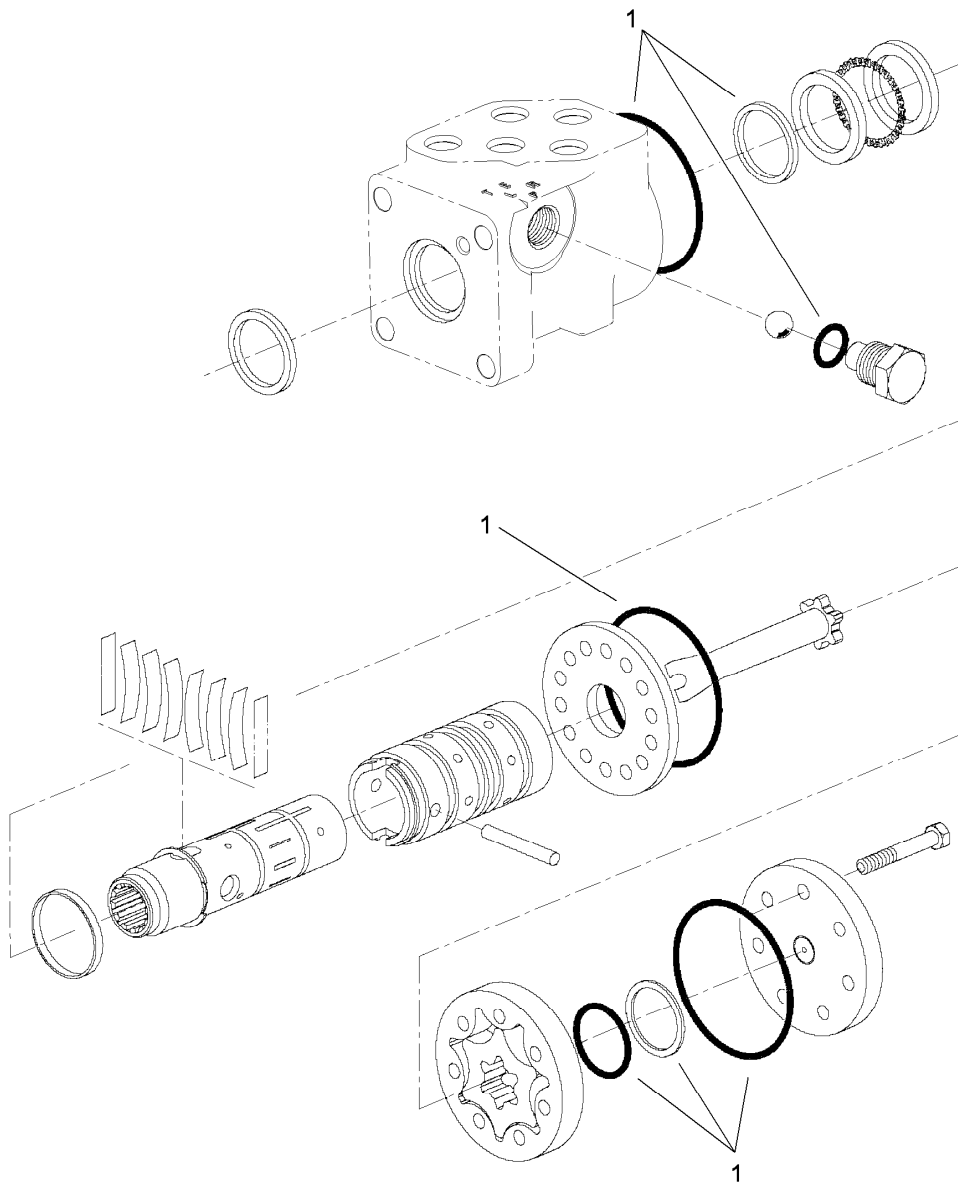
Steering Column Assembly (continued)

<i>Ref.</i>	<i>Part Number</i>	<i>Qty.</i>	<i>Description</i>	<i>Ref.</i>	<i>Part Number</i>	<i>Qty.</i>	<i>Description</i>
39	93-5446	1	Cap-Vinyl	46	114-4900	1	Steering Valve ASM
40	323-8	1	Screw-HH	47	114-5554	1	Decal-Center, Info
41	114-5907-03	1	Lever-Tilt	48	115-5417	2	Strip-Foam
42	114-4854	1	Spacer-Cup	49	104-7201	1	Nut-HF
43	13-0480	1	Spring	50	117-5499	1	Spacer-Deflector
44	107069	2	Clip	51	55-9620	1	Spacer-Plate, Pivot
45	340-2	5	Fitting-Straight	52	3274-9	1	Screw-HSH
45:1	237-22	1	O-Ring	53	62-5550	1	Decal
45:2	237-42	1	O-Ring				



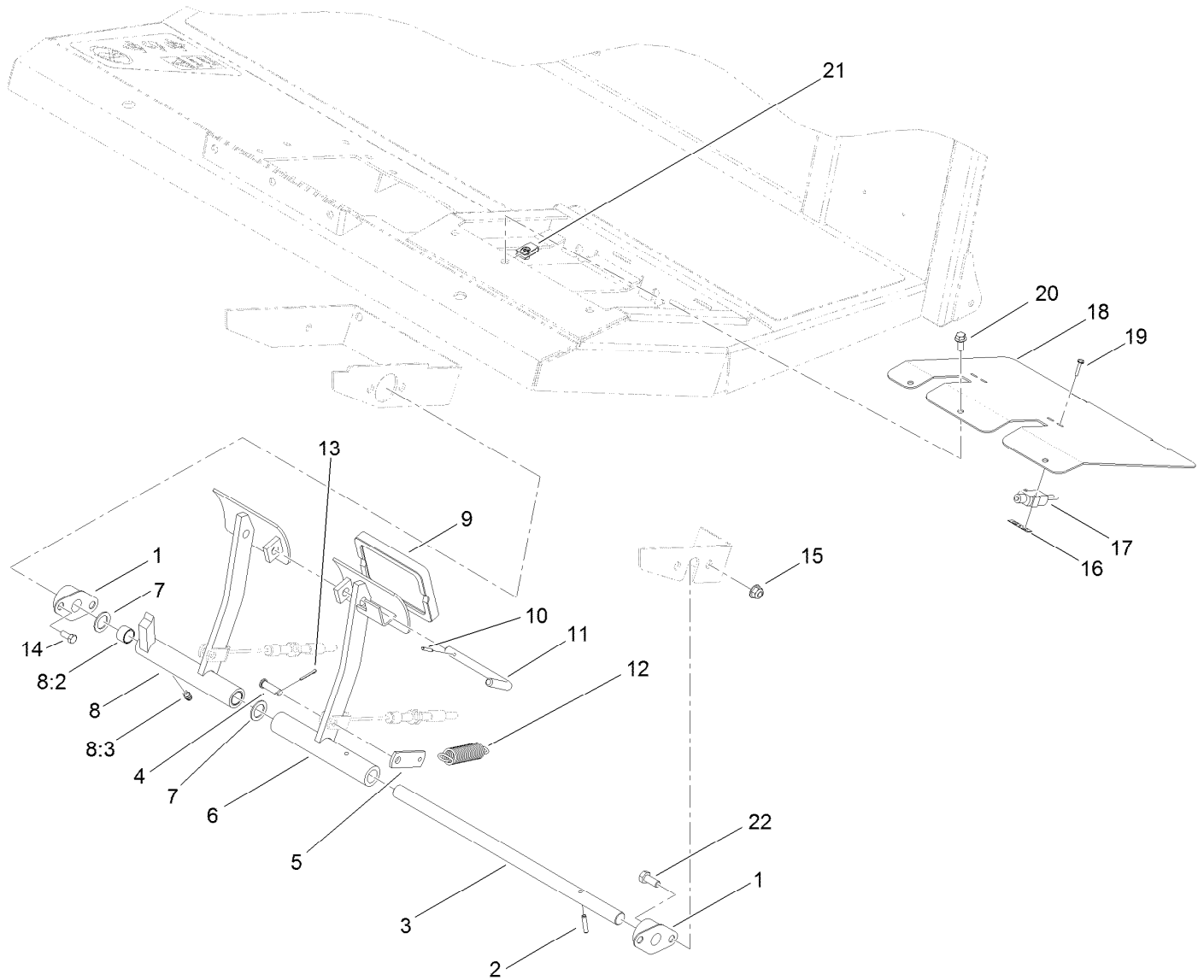
Steering Tower Assembly No. 117-5492

<i>Ref.</i>	<i>Part Number</i>	<i>Qty.</i>	<i>Description</i>
1	32148-6	10	Nut-Clinch
2	114-0844	1	Decal-Column, Steering (LH)
3	114-0845	1	Decal-Column, Steering
4	114-0848	1	Decal-Column, Steering (RH)
5	114-0906	1	Decal-Attachment



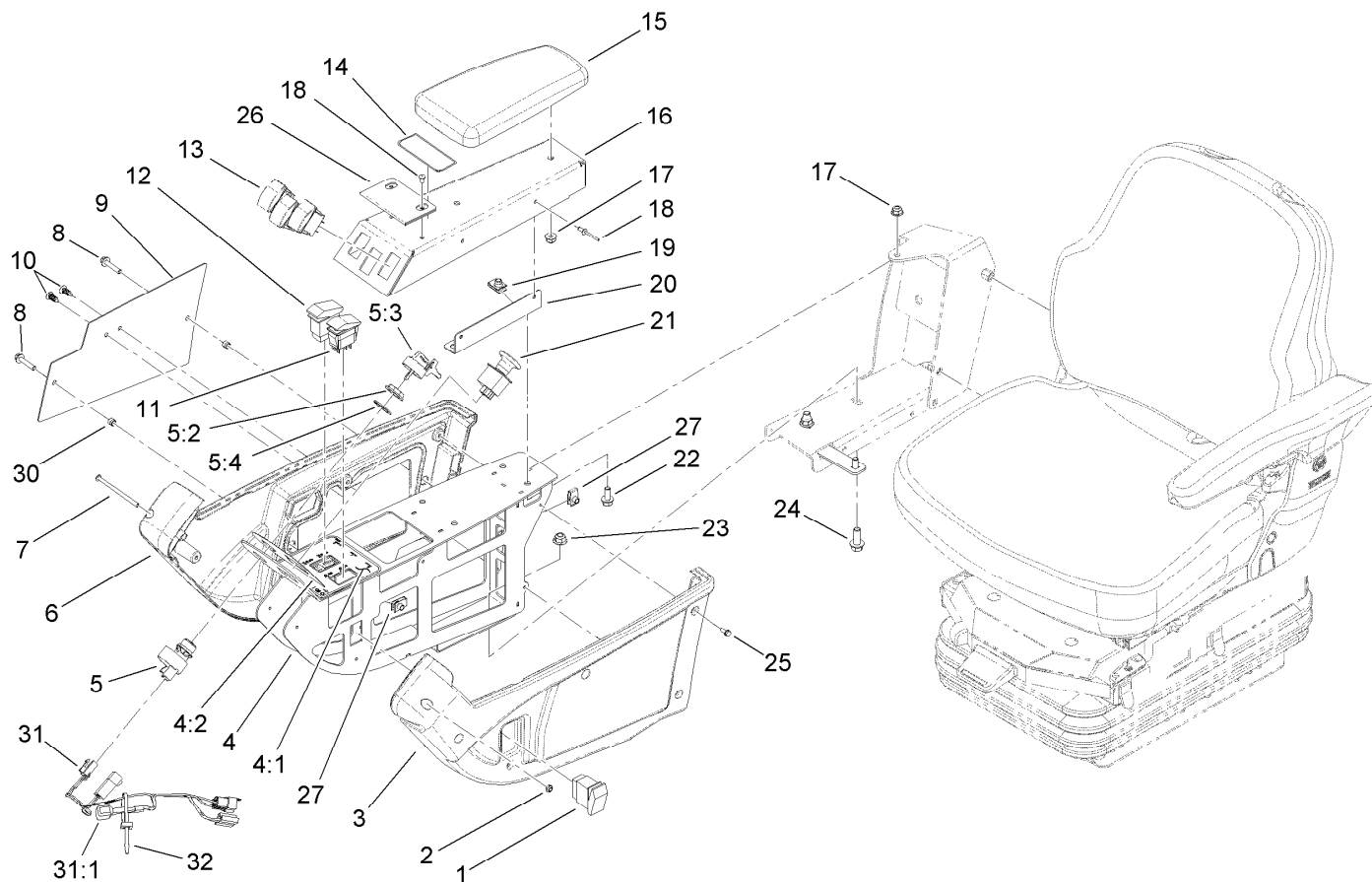
Steering Valve Assembly No. 114-4900

<i>Ref.</i>	<i>Part Number</i>	<i>Qty.</i>	<i>Description</i>
1	115-5480	1	Seal Kit



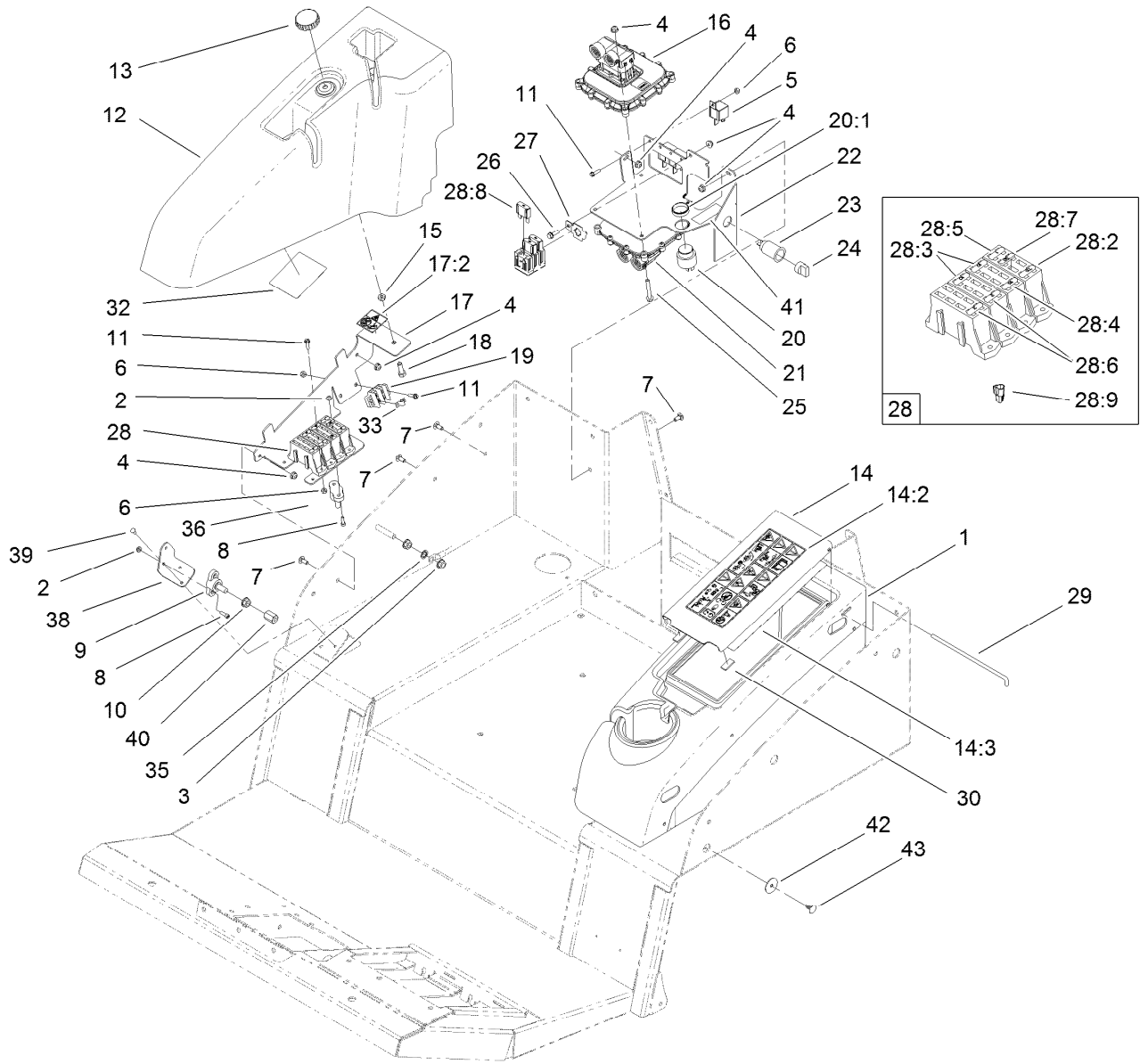
Brake Pedal Assembly

Ref.	Part Number	Qty.	Description	Ref.	Part Number	Qty.	Description
1	256-236	2	Bearing-Mount, Flange	11	63-7880	1	Pin-Latch, Brake
2	32121-16	1	Pin-Spring	12	93-5262	2	Spring-Extension
3	75-1470	1	Pin-Pivot, Brake	13	3272-6	2	Pin-Cotter
4	283-61	2	Pin-Yoke	14	322-3	2	Screw-HH
5	100-5540	2	Strap-Brake	15	104-8300	4	Nut-HF, NI
6	75-1440-03	1	Pedal-Brake, LH	16	108-9824	2	Nut-Switch
7	3256-69	5	Washer-Flat	17	99-3410	2	Switch
8	75-1430	1	RH Brake Pedal ASM	18	114-0740-01	1	Bracket-Switch
8:2	256-42	2	Bushing	19	117-5458	4	Screw-HHF
8:3	302-5	1	Fitting-Grease	20	3234-33	3	Screw-HHF
9	93-8742	2	Footpad-Brake	21	107069	3	Clip
10	32121-50	1	Pin-Spring	22	322-2	2	Screw-HH



Control Console Assembly

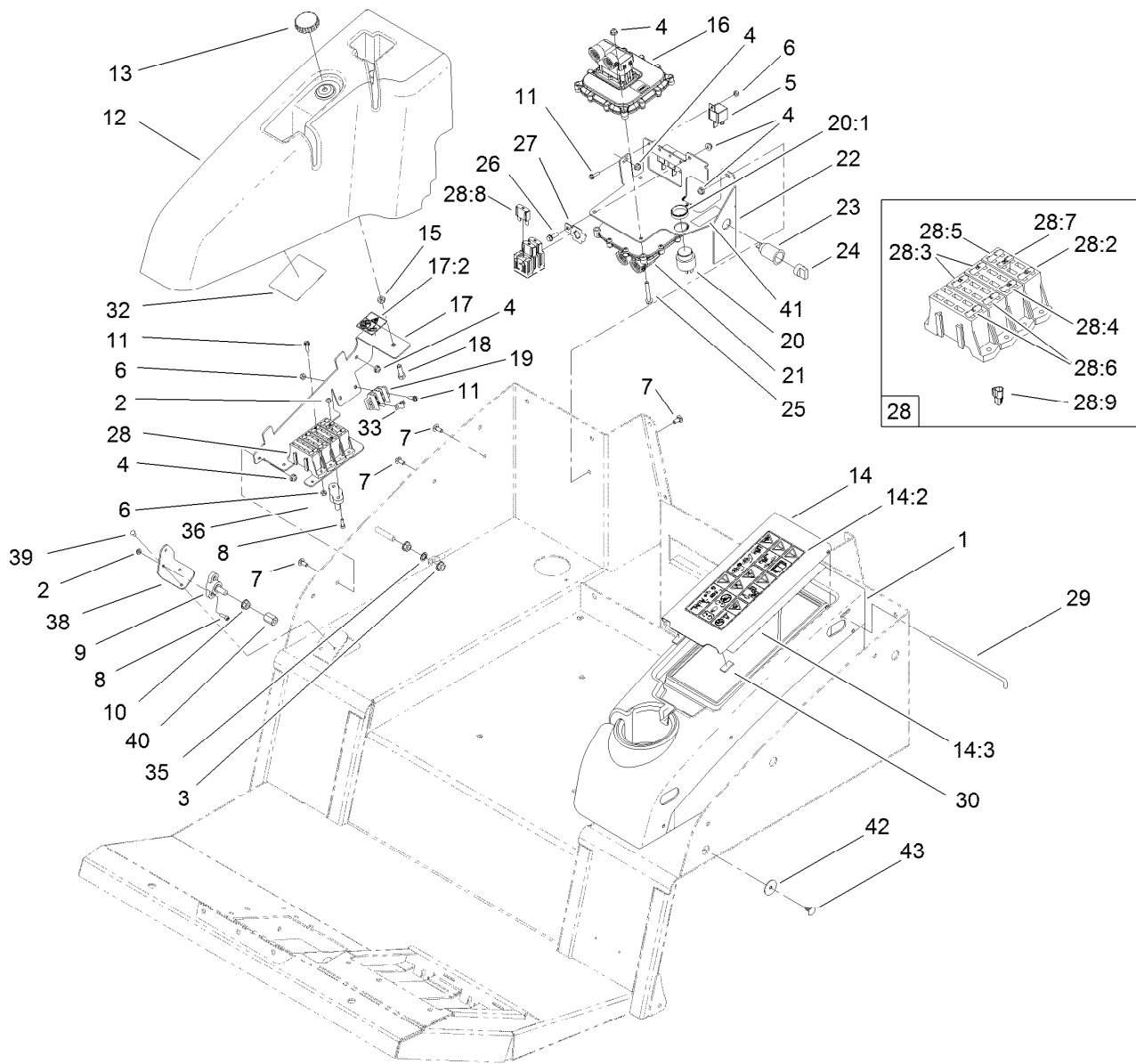
<i>Ref.</i>	<i>Part Number</i>	<i>Qty.</i>	<i>Description</i>	<i>Ref.</i>	<i>Part Number</i>	<i>Qty.</i>	<i>Description</i>
1	95-8999	1	Switch	15	108-7602	1	Rest-Arm
2	3296-12	1	Nut-Lock, NI	16	112-7301-03	1	Panel-Arm
3	108-7604	1	Cover-LH	17	104-8300	3	Nut-HF, NI
4	110-6094	1	Panel ASM	18	3290-409	4	Rivet
4:1	114-0133	1	Decal-Console, Lower	19	94-2413	4	Nut-U
4:2	114-0134	1	Decal-Console, Upper	20	112-7404	1	Angle-Mounting
5	106-5269	1	Ignition Switch ASM	21	93-9999	1	Switch-PTO
5:2	108-8660	1	Nut-Mounting	22	3234-5	5	Screw-HHF
5:3	106-5270	1	Ignition Key Set	23	104-8301	2	Nut-HF, NI
5:4	108-8659	1	Washer-Backup	24	3234-42	2	Screw-HHF
6	108-7605	1	Cover-RH	25	32144-112	10	Screw-HWH
7	3250-22	1	Screw-PPH	26	119-8253-03	1	Guard-Switch
8	3234-21	2	Screw-HHF	27	107069	2	Clip
9	115-8849-03	1	Plate-Cover	30	110-0542	2	Spacer-Flange
10	117-2382	2	Plug-Plastic	31	121-8873	1	Harness-Wire, Key Switch Load
11	114-3329	1	Switch-Rocker	31:1	104-4022	1	Resistor-75 Ohm
12	106-2027	1	Switch-Intermittent	32	3290-378	2	Tie-Cable
13	100-1535	3	Switch				
14	114-0135	1	Decal-Console, Lift				



Electrical Component Assembly

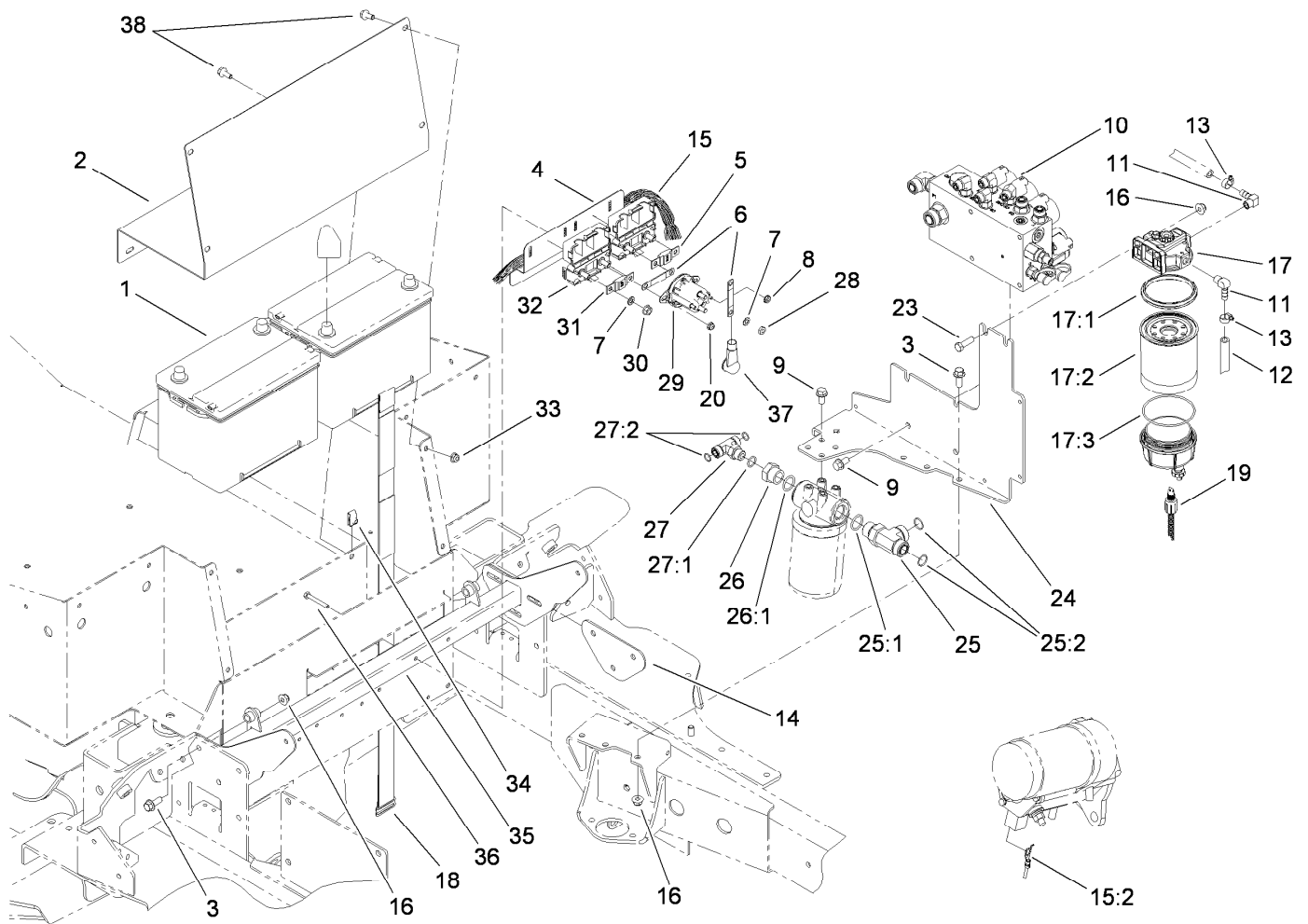
Ref.	Part Number	Qty.	Description
1	112-7316	1	Cover-Storage, Center
2	3296-27	4	Nut-Lock, NI
3	3290-357	2	Nut-HHF, Whiz
4	104-7201	9	Nut-HF
5	99-7435	4	Relay
6	3296-2	9	Nut-Lock, NI
7	3229-11	4	Screw-CARR
8	3273-26	4	Screw-HSH
9	110-8822	1	Block-Junction
10	3290-357	2	Nut-HHF, Whiz
11	32105-13	9	Screw-HWH
12	112-7315	1	Cover-Power, Center
13	94-5583	1	Knob
14	114-0001	1	Lid-Storage, Center
14:2	117-2754	1	Decal-Warning
14:3	114-0847	1	Decal-Service
15	3218-2	1	Nut-Jam
16	115-1900	1	Controller
17	115-5482	1	Power Center Bracket ASM
17:2	115-5459	1	Decal-Warning
18	322-5	1	Screw-HH

Ref.	Part Number	Qty.	Description
19	42862	1	Block-Terminal, Ground
20	80-9330	1	Audio Alarm ASM
20:1	104-5107	1	Nut-Plastic, Knurled
21	114-3321	1	Controller-Tec
22	110-6035-01	1	Bracket-Power Center, Rear
23	99-7411	1	Point-Power
24	99-7416	1	Cap
25	321-44	4	Screw-HHF
26	32105-15	1	Screw-HWH
27	114-5502	1	Clip-Fuse
28	119-1312	1	Harness-Wire, Platform
28:2	114241	6	Fuse-Blade, 7.5 Amp
28:3	218-578	3	Fuse-Blade, 10 Amp
28:4	109355	1	Fuse-Blade, 15 Amp
28:5	104-9055	1	Fuse-Blade, 1 Amp
28:6	94-6710	2	Fuse-2 Amp
28:7	109103	2	Fuse-Blade, 30 Amp
28:8	114-3342	3	Fuse-Maxi, 60 Amp
28:9	32180-043	1	Resistor-120 Ohm
29	114-5508	1	Rod-Hinge
30	115-5417	2	Strip-Foam



Electrical Component Assembly (continued)

<i>Ref.</i>	<i>Part Number</i>	<i>Qty.</i>	<i>Description</i>	<i>Ref.</i>	<i>Part Number</i>	<i>Qty.</i>	<i>Description</i>
32	110-6007	1	Decal-Fuse	39	3290-409	2	Rivet
33	42863	1	Strip-Jumper	40	113690	1	Nut-Coupling
35	3254-6	1	Washer-Lock, Internal	41	114-0163	1	Decal-Electrical
36	110-8823	1	Block-Junction	42	3256-58	8	Washer-Flat
38	115-5592	1	Mount-Post, Positive	43	117-2382	8	Plug-Plastic

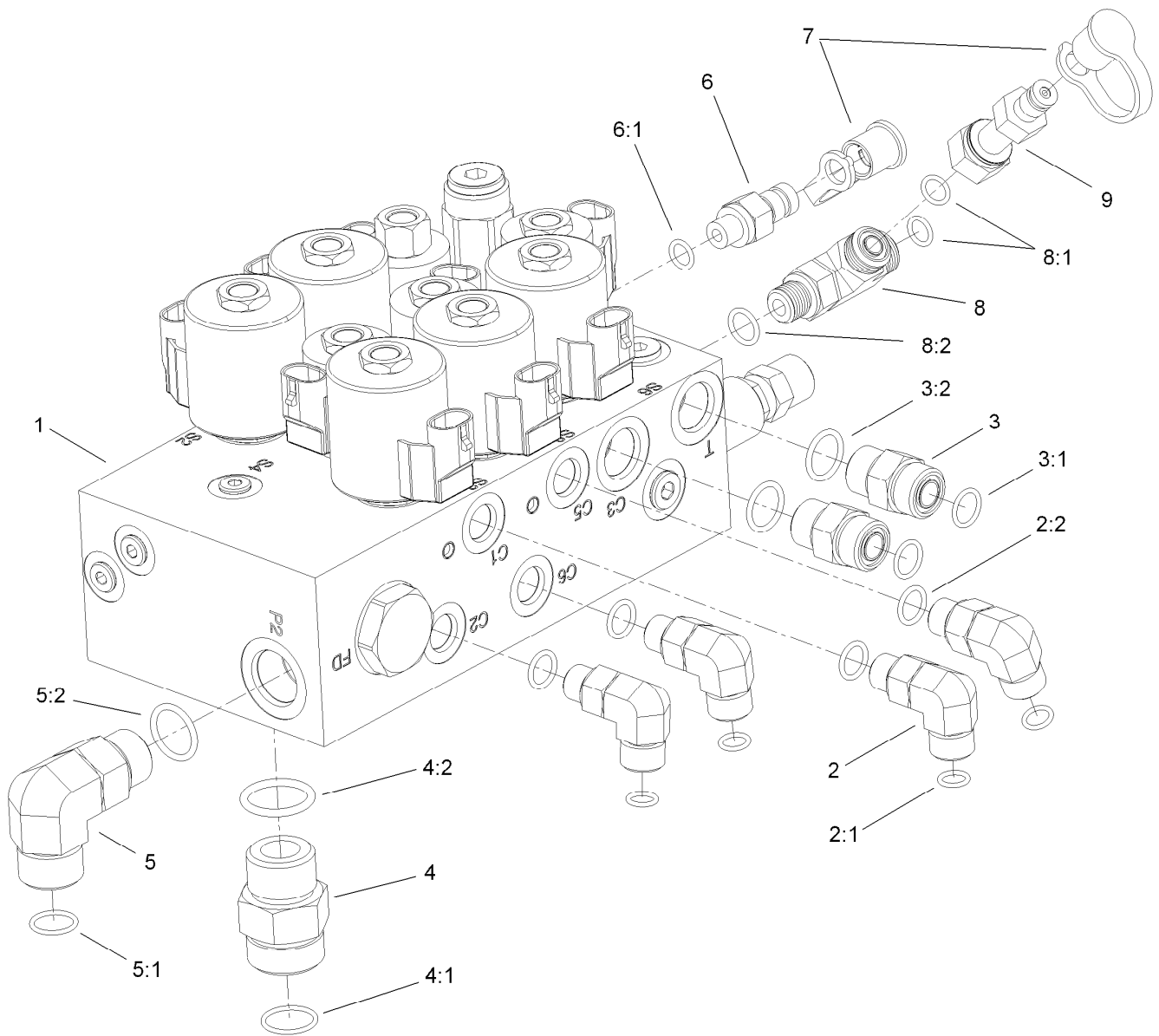


Battery and Lift Manifold Assembly

Ref.	Part Number	Qty.	Description	Ref.	Part Number	Qty.	Description
1		2	Battery-12 Volt, Wet ●■	19	114-0170	1	Sensor-Wif
2	110-6037-01	1	Panel-Access, Rear	20	104-7201	2	Nut-HF
3	3234-42	5	Screw-HHF	23	323-7	2	Screw-HH
4	114-5681-03	1	Support-Fuse	24	119-7732-03	1	Plate-Mount, Filter
5	110-8820	1	Fuse-Mega, 300A	25	340-148	1	Fitting-Tee
6	114-5682	2	Strap-Jumper	25:1	237-81	1	O-Ring
7	3255-8	6	Washer-Lock	25:2	237-58	2	O-Ring
8	32149-8	2	Nut-Keps	26	96-0864	1	Fitting-Straight
9	3234-1	8	Screw-HHF	26:1	237-81	1	O-Ring
10		1	Lift Manifold ASM ■	27	340-157	1	Fitting-HYD, Tee
11	354-93	2	Fitting-Elbow, 90	27:1	237-79	1	O-Ring
12	114-0832	1	Hose-Fuel	27:2	237-30	2	O-Ring
13	2412-108	2	Clamp-Worm	28	3220-2	2	Nut-Jam
14	114-5585	2	Shim-Support, Hood	29	114-3315	1	Solenoid
15	110-6092	1	Harness-Wire, Engine	30	33004-00	4	Nut-HF
15:2	117-5461	1	Harness-Wire, Starter	31	110-8818	1	Fuse-Mega, 125A
16	104-8301	7	Nut-HF, NI	32	114-3318	2	Holder-Fuse, Mega
17	114-0149	1	Fuel/Water Separator Filter ASM	33	104-8300	4	Nut-HF, NI
17:1	115-5470	1	Gasket-Beveled	34	94-2413	2	Nut-U
17:2	115-5471	1	Element-Separator, Fuel/Water	35	119-8252-03	1	Support-Hood
17:3	115-5472	1	O Ring-Bowl	36	321-11	2	Screw-HH
18	114-0881	2	Strap-Battery	37	32180-008	1	Insulator-Lug, Red
				38	3234-47	6	Screw-HHF

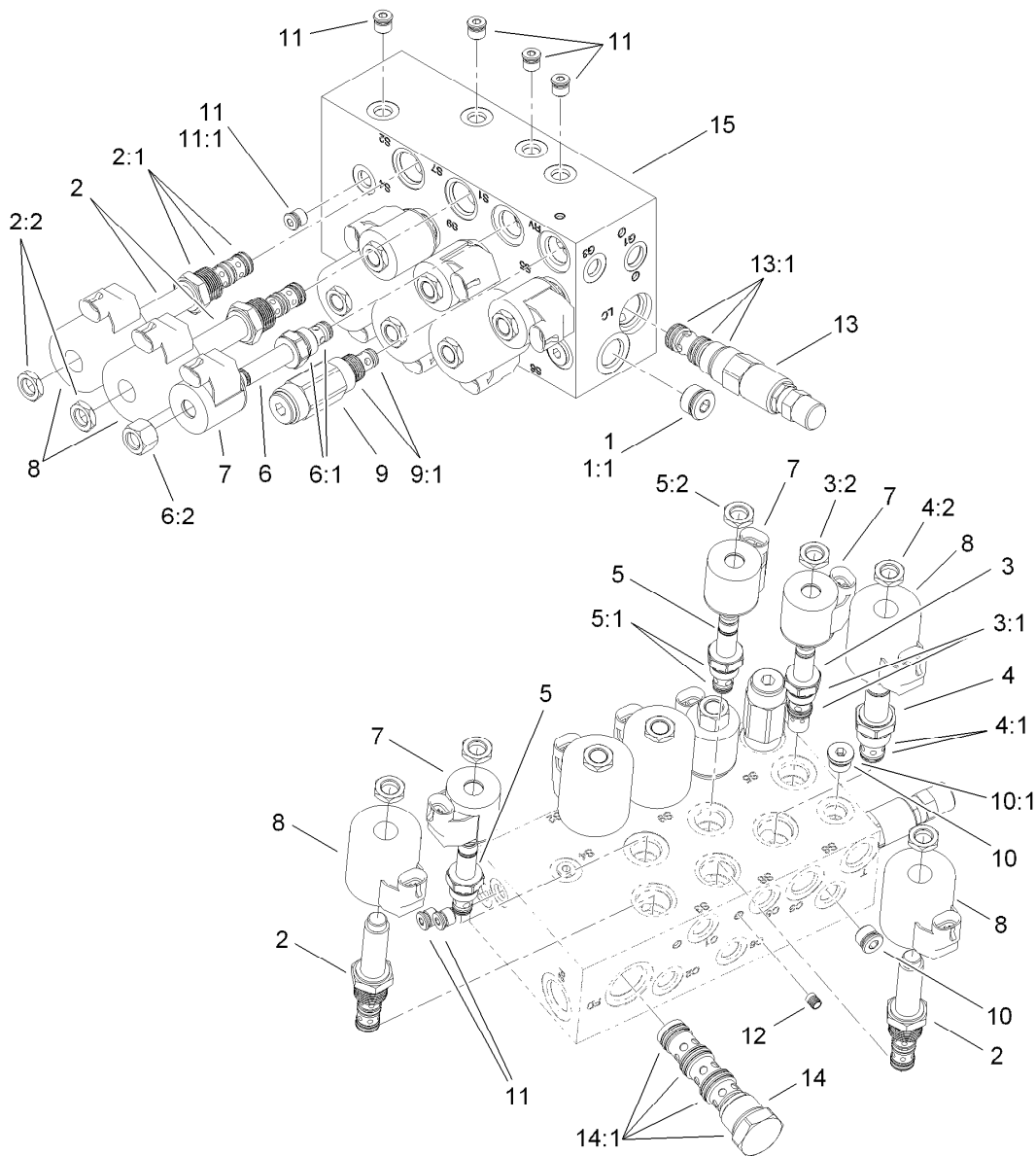
● Obtain locally.

■ Not serviced separately



Hydraulic Lift Manifold Assembly

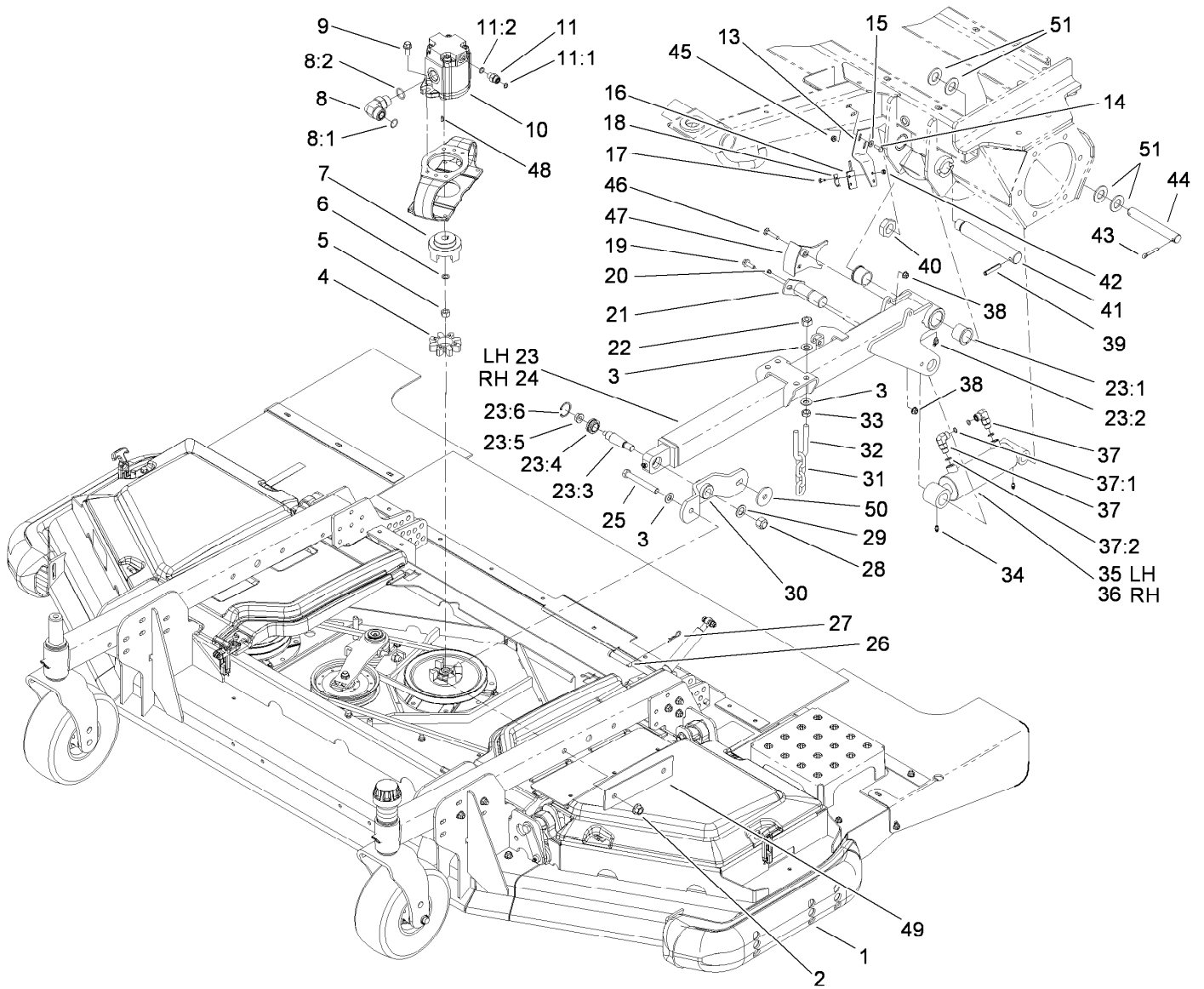
Ref.	Part Number	Qty.	Description	Ref.	Part Number	Qty.	Description
1	119-7731	1	HYD Lift Manifold ASM	5	340-17	1	Fitting-Elbow, 90 DEG
2	340-77	4	Fitting-Elbow, 90 DEG	5:1	237-65	1	O-Ring
2:1	237-22	1	O-Ring	5:2	237-80	1	O-Ring
2:2	237-42	1	O-Ring	6	354-77	1	Fitting-Quick
3	340-4	2	Fitting-Straight	6:1	237-78	1	O-Ring
3:1	237-30	1	O-Ring	7	354-79	2	Cap-Dust
3:2	237-79	1	O-Ring	8	340-86	1	Fitting-Tee
4	340-9	1	Fitting-STR	8:1	237-22	2	O-Ring
4:1	237-58	1	O-Ring	8:2	237-42	1	O-Ring
4:2	237-81	1	O-Ring	9	86-5480	1	Nipple-Test



Hydraulic Lift Manifold Assembly No. 119-7731

Ref.	Part Number	Qty.	Description	Ref.	Part Number	Qty.	Description
1	106-1027	1	Plug-HYD	6:2	107-7812	1	Nut-Solenoid
1:1	237-79	1	O-Ring	7	105-9333	4	Coil-12Vdc
2	115-5400	4	Solenoid Valve ASM	8	110-2630	5	Coil-12Vdc
2:1	107-7813	1	Seal Kit	9	115-5499	1	Valve-Relief
2:2	110-2634	1	Nut-Coil	9:1	105-9156	1	Seal Kit
3	115-5405	1	Solenoid Valve ASM	10	106-1026	2	Plug-HYD
3:1	115-5413	1	Seal Kit	10:1	237-42	1	O-Ring
3:2	110-2634	1	Nut-Coil	11	353-990	7	Plug ASM
4	115-5404	1	Valve-Solenoid	11:1	237-78	1	O-Ring
4:1	105-9159	1	Seal Kit	12		6	Plug-Expander ●
4:2	110-2634	1	Nut-Coil	13	119-7721	1	Valve-Logic, Vented
5	119-7706	2	Valve-Solenoid	13:1	119-2159	1	Seal Kit
5:1	119-7716	1	Seal Kit	14	115-5406	1	Divider-Flow
5:2	110-2634	1	Nut-Coil	14:1	110-6111	1	Seal Kit
6	107-7517	1	Valve-Solenoid	15		1	Manifold Block ●
6:1	105-9156	1	Seal Kit				

● Not serviced separately

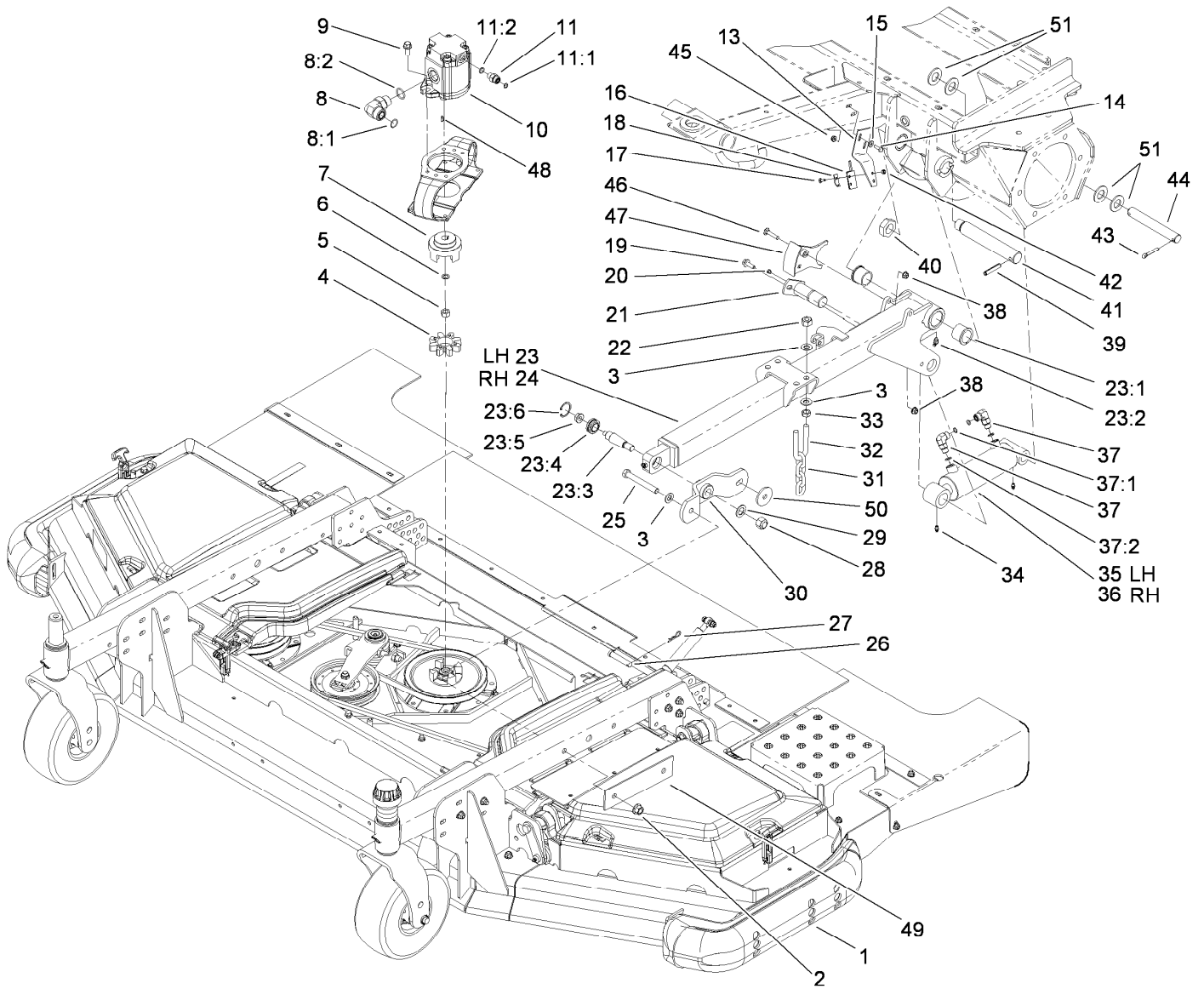


Front Deck Lift Arm and Cylinder Assembly

Ref.	Part Number	Qty.	Description	Ref.	Part Number	Qty.	Description
1		1	Front Deck ASM ■	16	106-9288	1	Sensor-Proximity, Ferrous
2	99-5107	4	Nut-Lock	17	3229-34	1	Screw-CARR
3	3256-26	12	Washer-Flat	18	100-4872	1	Plate-Switch, Neutral
4	104-3542	3	Spider	19	3234-29	2	Screw-HHF
5	110-8815	3	Nut-Hex	20	1-811010	2	Plug
6	112-6957	3	Washer-Hardened	21	105-7325	2	Pin
7	104-3541	3	Hub-Spider	22	3296-25	4	Nut-Lock, NI
8	340-142	5	Fitting-Elbow-90	23	110-5962	1	LH Front Lift Arm ASM
8:1	237-58	1	O-Ring	23:1	104-0015	2	Bushing-Flange
8:2	237-81	1	O-Ring	23:2	302-11	2	Fitting-Lube, 45 DEG
9	3234-42	6	Screw-HHF	23:3	105-7468	1	Stud-Tapered
10	114-4940	3	Gear Motor ASM	23:4	105-7441	1	Bearing-Spherical
11	340-2	3	Fitting-Straight	23:5	32128-42	1	Nut-HF
11:1	237-22	1	O-Ring	23:6	32151-34	1	Ring-Retaining
11:2	237-42	1	O-Ring	24	110-5966	1	RH Front Lift Arm ASM
13	114-5671	1	Bracket-Sensor	24:1	104-0015	2	Bushing-Flange ●
14	321-4	2	Screw-HH	24:2	302-11	2	Fitting-Lube, 45 DEG ●
15	3256-22	2	Washer-Flat	24:3	105-7468	1	Stud-Tapered ●

● Not illustrated

■ Not serviced separately

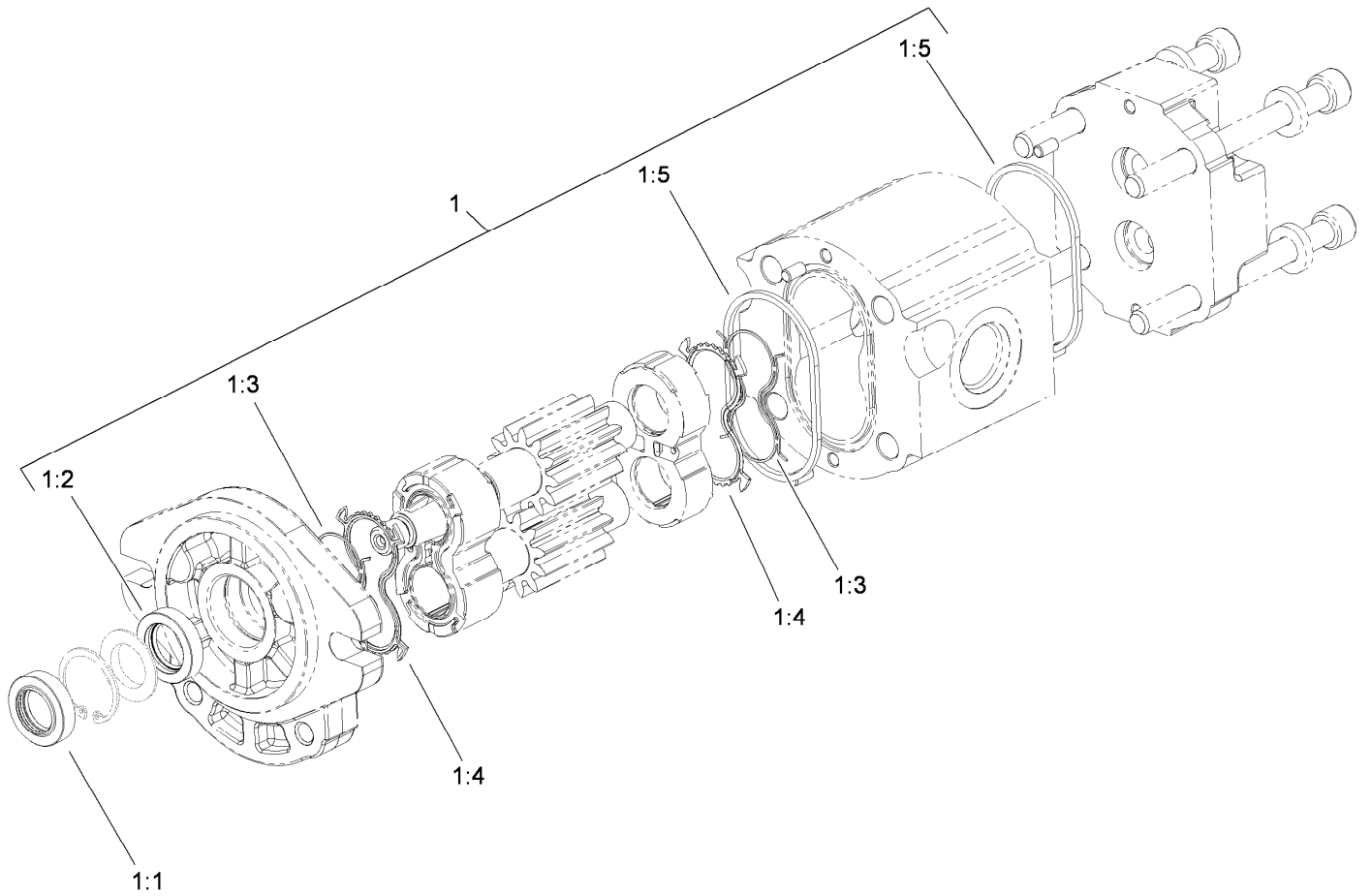


Front Deck Lift Arm and Cylinder Assembly (continued)

Ref.	Part Number	Qty.	Description	Ref.	Part Number	Qty.	Description
24:4	105-7441	1	Bearing-Spherical ●	37:1	237-22	1	O-Ring
24:5	32128-42	1	Nut-HF ●	37:2	237-42	1	O-Ring
24:6	32151-34	1	Ring-Retaining ●	38	104-8300	3	Nut-HF, NI
25	325-17	4	Screw-HH	39	32121-110	2	Pin-Roll, Slotted
26	92-2743	2	Pin-Clevis	40	3296-49	2	Nut-Lock, NI
27	3290-467	2	Pin-Hair	41	100-3017	2	Pin-Arm, Lift
28	3296-41	2	Nut-Lock NI	42	3296-2	1	Nut-Lock, NI
29	86-1440	2	Washer-Flat	43	3272-30	4	Pin-Cotter
30	115-5442-01	2	Support-Hub	44	110-6006	2	Pin-Clevis
31	95-6231	2	Chain-HOC	45	104-7201	2	Nut-HF
32	104-0108	2	U-Bolt	46	3230-4	1	Bolt-CARR
33	3218-5	4	Nut-Jam	47	114-0738-01	1	Sensor Trigger ASM
34	302-5	4	Fitting-Grease	48	3257-3	3	Key-Woodruff
35	114-4831	1	LH Lift Cylinder ASM	49	69-8790-01	2	Plate-Reinforcing
36	114-4830	1	RH Lift Cylinder ASM ●	50	75-7730	2	Washer-Thrust
37	340-77	4	Fitting-Elbow, 90 DEG	51	3256-29	8	Washer-Flat

● Not illustrated

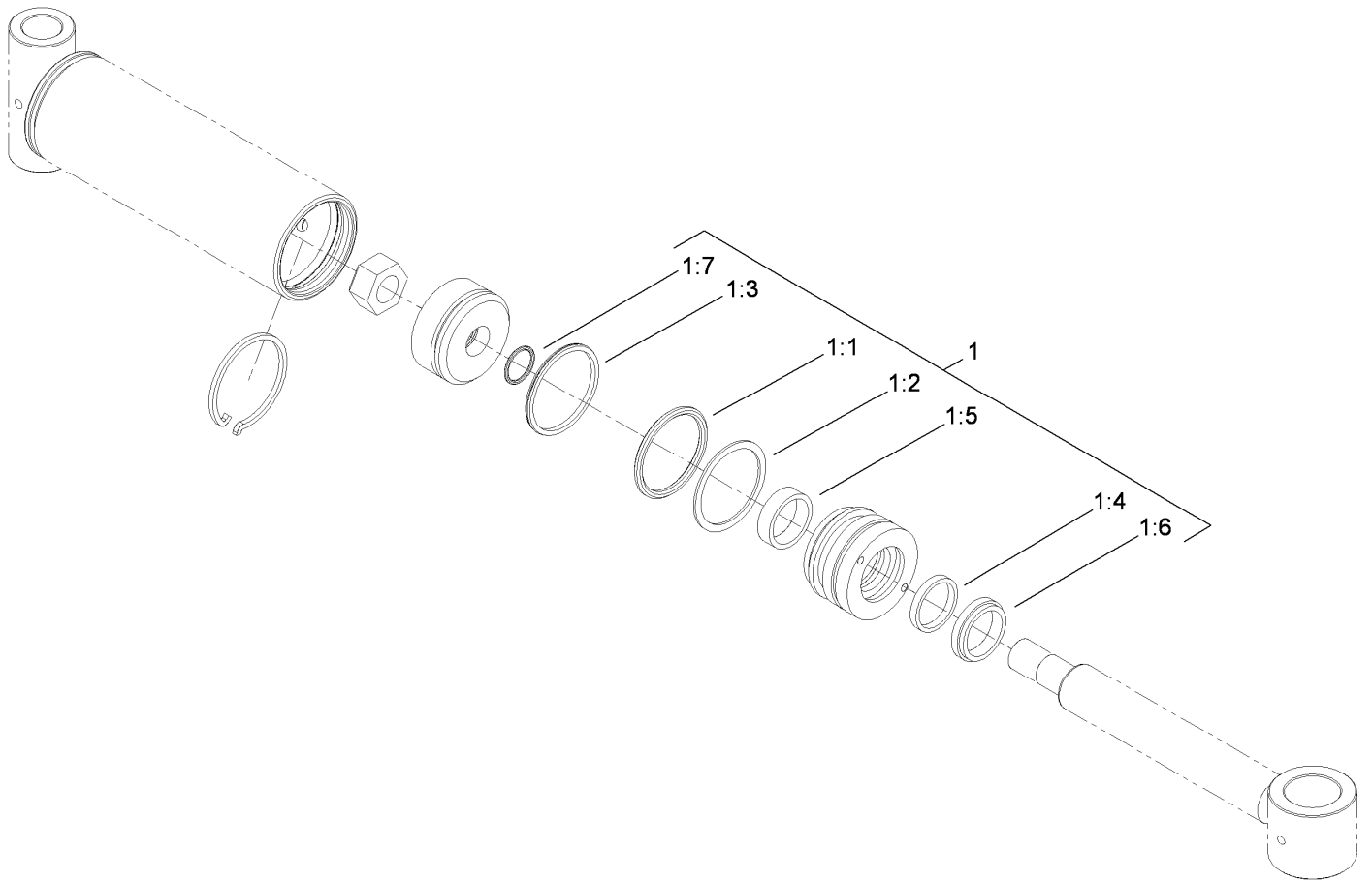
■ Not serviced separately



Hydraulic Gear Motor Assembly No. 114-4940

<i>Ref.</i>	<i>Part Number</i>	<i>Qty.</i>	<i>Description</i>
1	114-5620	1	Seal Kit
1:1		1	Seal-Shaft ●
1:2		1	Seal-Shaft ●
1:3		2	Seal-Anti Extrusion ●
1:4		2	Seal-Plate, Balancing ●
1:5		2	O Ring-Housing ●

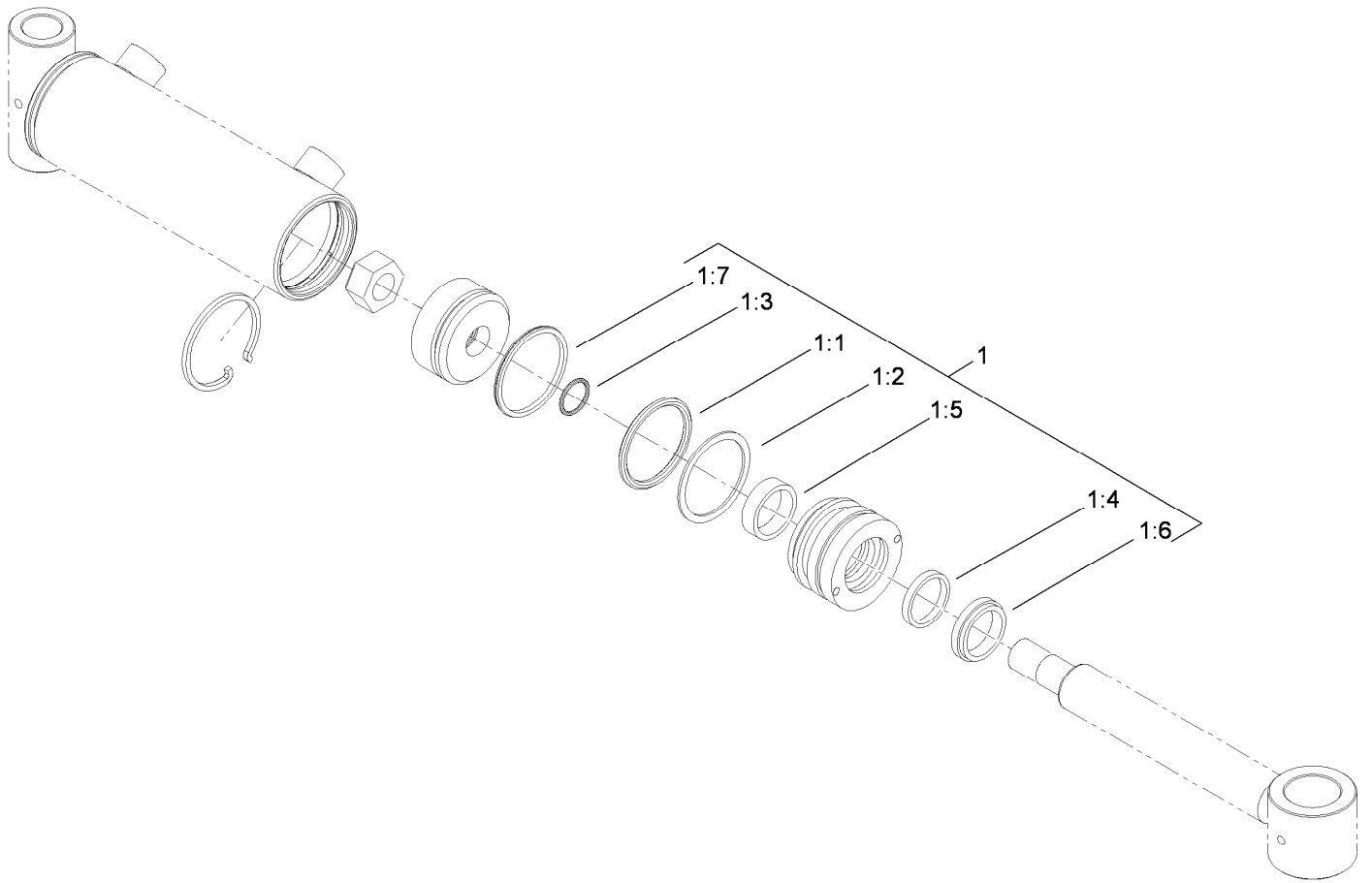
● Not serviced separately



Hydraulic Cylinder Assembly No. 114-4830

<i>Ref.</i>	<i>Part Number</i>	<i>Qty.</i>	<i>Description</i>
1	114-5611	1	Seal Kit
1:1		1	O-Ring ●
1:2		1	Backup ●
1:3		1	Seal-Bp ●
1:4		1	Seal-Bs ●
1:5		1	Ring-Wear ●
1:6		1	Seal-Dust ●
1:7		1	O-Ring ●

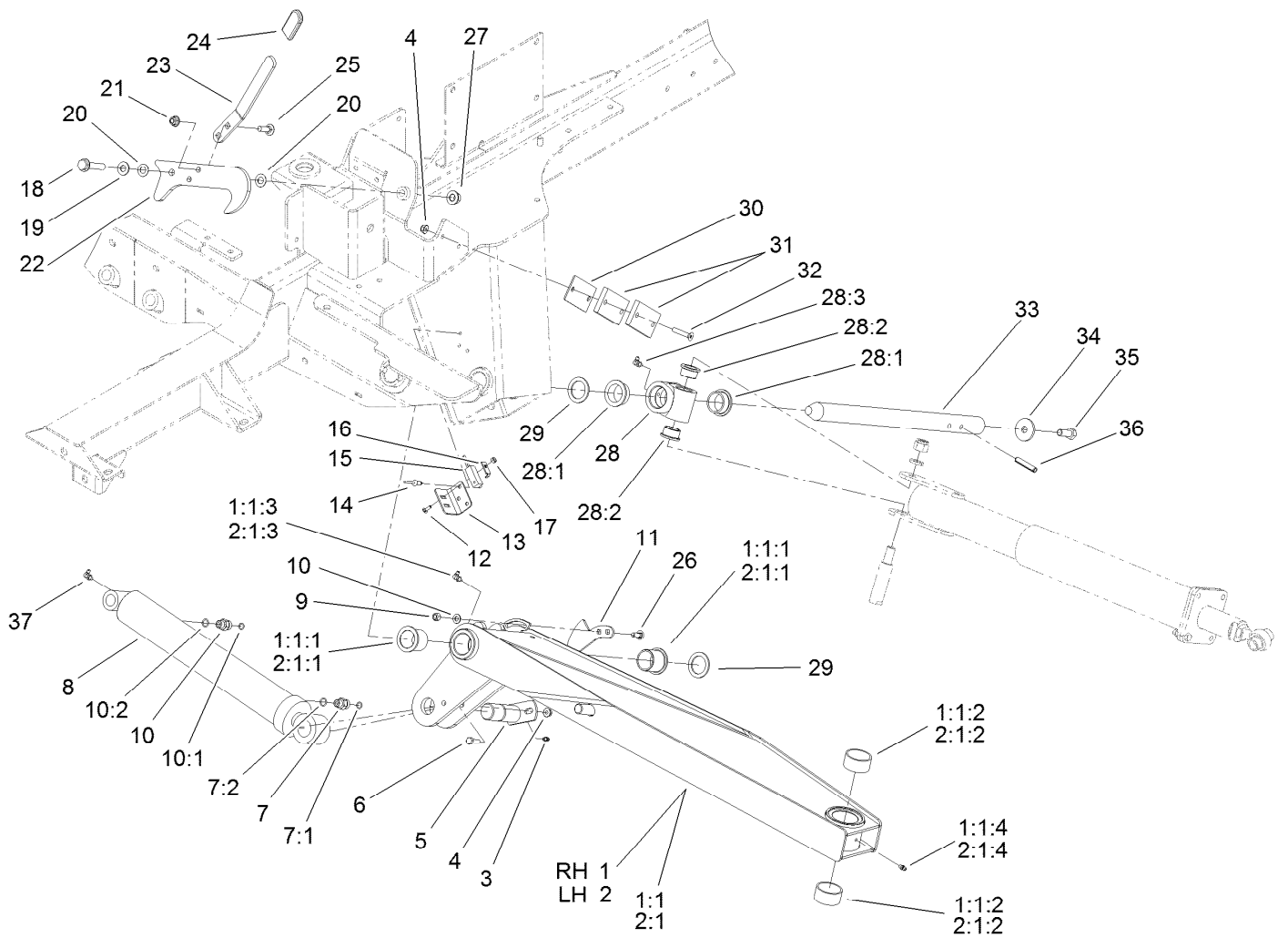
● Not serviced separately



Hydraulic Cylinder Assembly No. 114-4831

<i>Ref.</i>	<i>Part Number</i>	<i>Qty.</i>	<i>Description</i>
1	114-5611	1	Seal Kit
1:1		1	O-Ring ●
1:2		1	Backup ●
1:3		1	Seal-Bp ●
1:4		1	Seal-Bs ●
1:5		1	Ring-Wear ●
1:6		1	Seal-Dust ●
1:7		1	O-Ring ●

● Not serviced separately

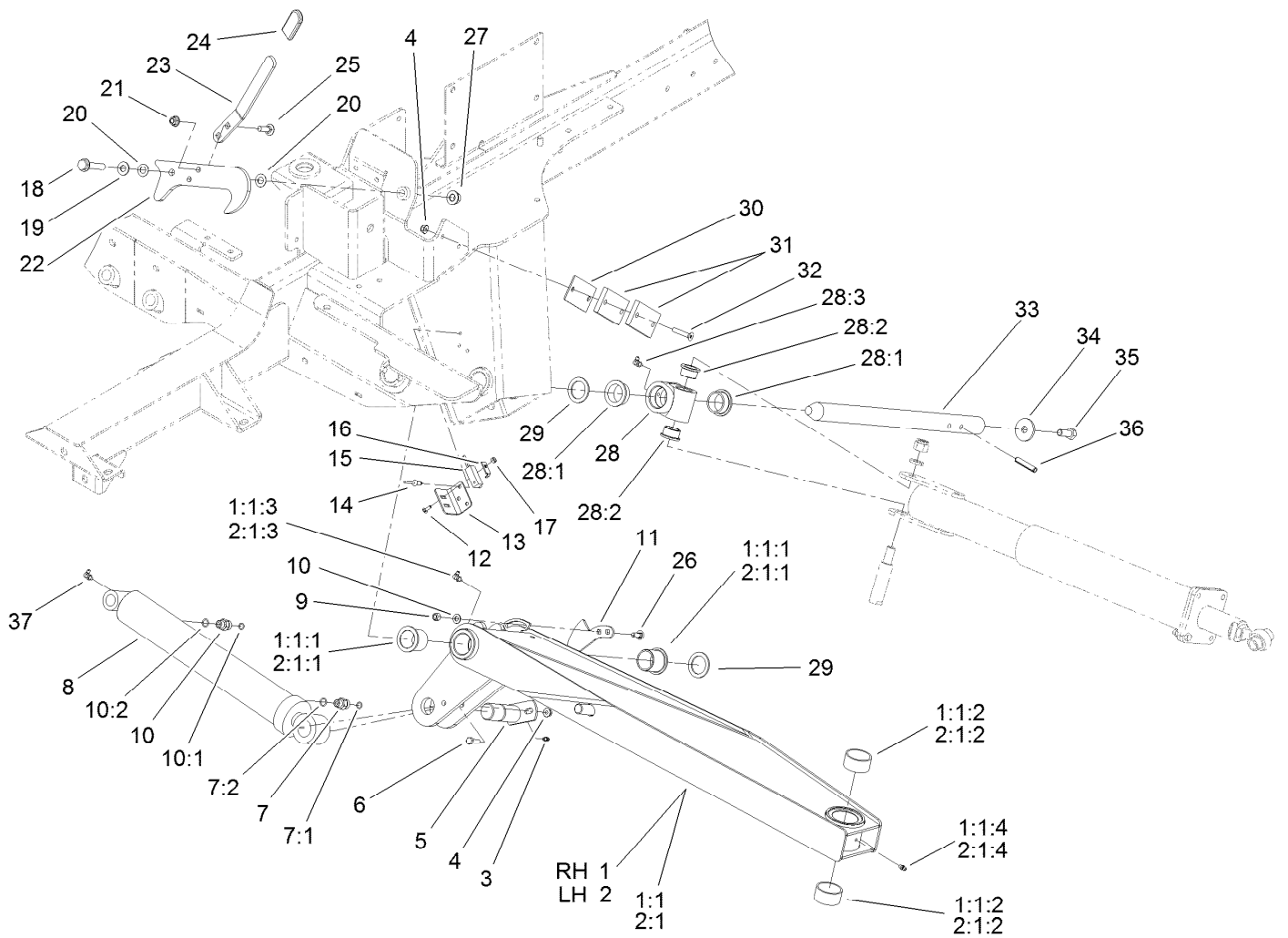


Wing Lift Arm Assembly

Ref.	Part Number	Qty.	Description	Ref.	Part Number	Qty.	Description
1	114-5650-01	1	RH Lift Arm ASM ●	7:2	237-42	1	O-Ring
1:1		1	Lift Arm ASM, RH ●■	8	114-5685	2	HYD Cylinder ASM
1:1:1	69-6470	2	Bushing-Castor ●	9	104-8300	4	Nut-HF, NI
1:1:2	114-5596	2	Bushing-Straight ●	10	119-7707	2	Fitting-HYD, Straight (Check)
1:1:3	302-60	1	Fitting-Grease ●	10:1	237-22	1	O-Ring
1:1:4	302-5	1	Fitting-Grease ●	10:2	237-42	1	O-Ring
2	114-5660-01	1	LH Lift Arm ASM	11	112-7339	2	Plate-Sensing
2:1		1	Lift Arm ASM, LH ■	12	3229-34	2	Screw-CARR
2:1:1	69-6470	2	Bushing-Castor	13	112-7338	2	Plate-Aluminum
2:1:2	114-5596	2	Bushing-Straight	14	3290-412	6	Rivet-Blind
2:1:3	302-60	1	Fitting-Grease	15	106-9288	2	Sensor-Proximity, Ferrous
2:1:4	302-5	1	Fitting-Grease	16	100-4872	2	Plate-Switch, Neutral
3	302-5	2	Fitting-Grease	17	3296-2	2	Nut-Lock, NI
4	104-8300	6	Nut-HF, NI	18	3234-46	2	Screw-HHF
5	105-7325	2	Pin	19	3256-26	2	Washer-Flat
6	322-5	2	Screw-HH	20	104-3577	4	Washer
7	340-2	2	Fitting-Straight	21	104-8301	4	Nut-HF, NI
7:1	237-22	1	O-Ring				

● Not illustrated

■ Not serviced separately

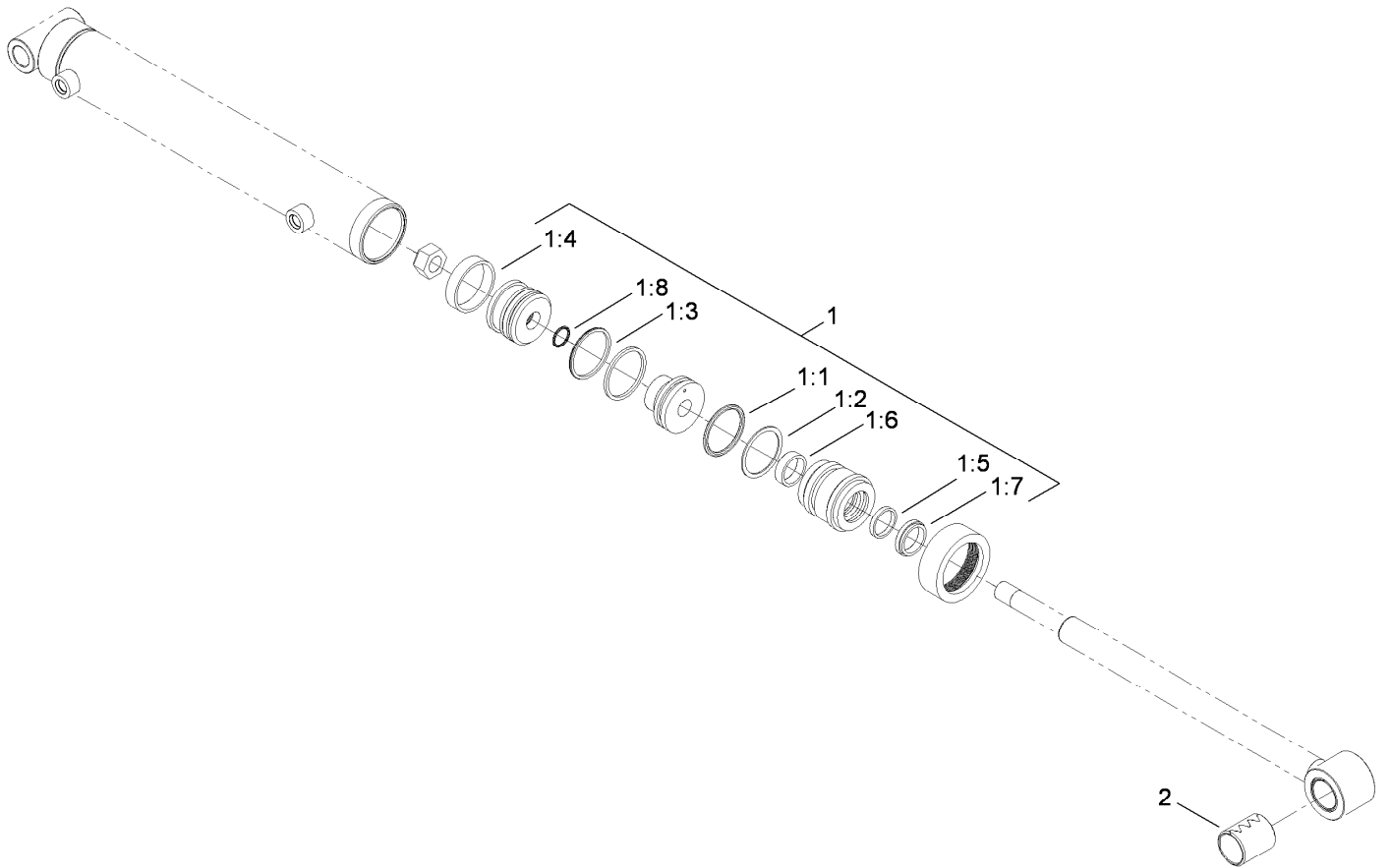


Wing Lift Arm Assembly (continued)

Ref.	Part Number	Qty.	Description	Ref.	Part Number	Qty.	Description
22	119-7723-03	2	Latch-Wing	29	98-1452	4	Washer-Thrust
23	114-5659-03	2	Handle-Latch	30	114-5675	2	Shim-Pad
24	48-7081	2	Grip-Plastic	31	69-9300	4	Pad-Bumper
25	3231-25	4	Bolt-CARR	32	3289-22	4	Screw-FH
26	3230-16	4	Screw-CARR	33	121-3882	2	Shaft-Pivot, Lift Arm
27	99-5107	2	Nut-Lock	34	106-2008	2	Washer-Thrust
28	115-5468	2	Pivot Hub ASM	35	325-5	2	Screw-HH
28:1	115-5469	2	Bushing-Flange	36	117-5479	4	Pin-Spring
28:2	114-5680	2	Bushing-Flange	37	302-60	2	Fitting-Grease
28:3	302-60	1	Fitting-Grease				

● Not illustrated

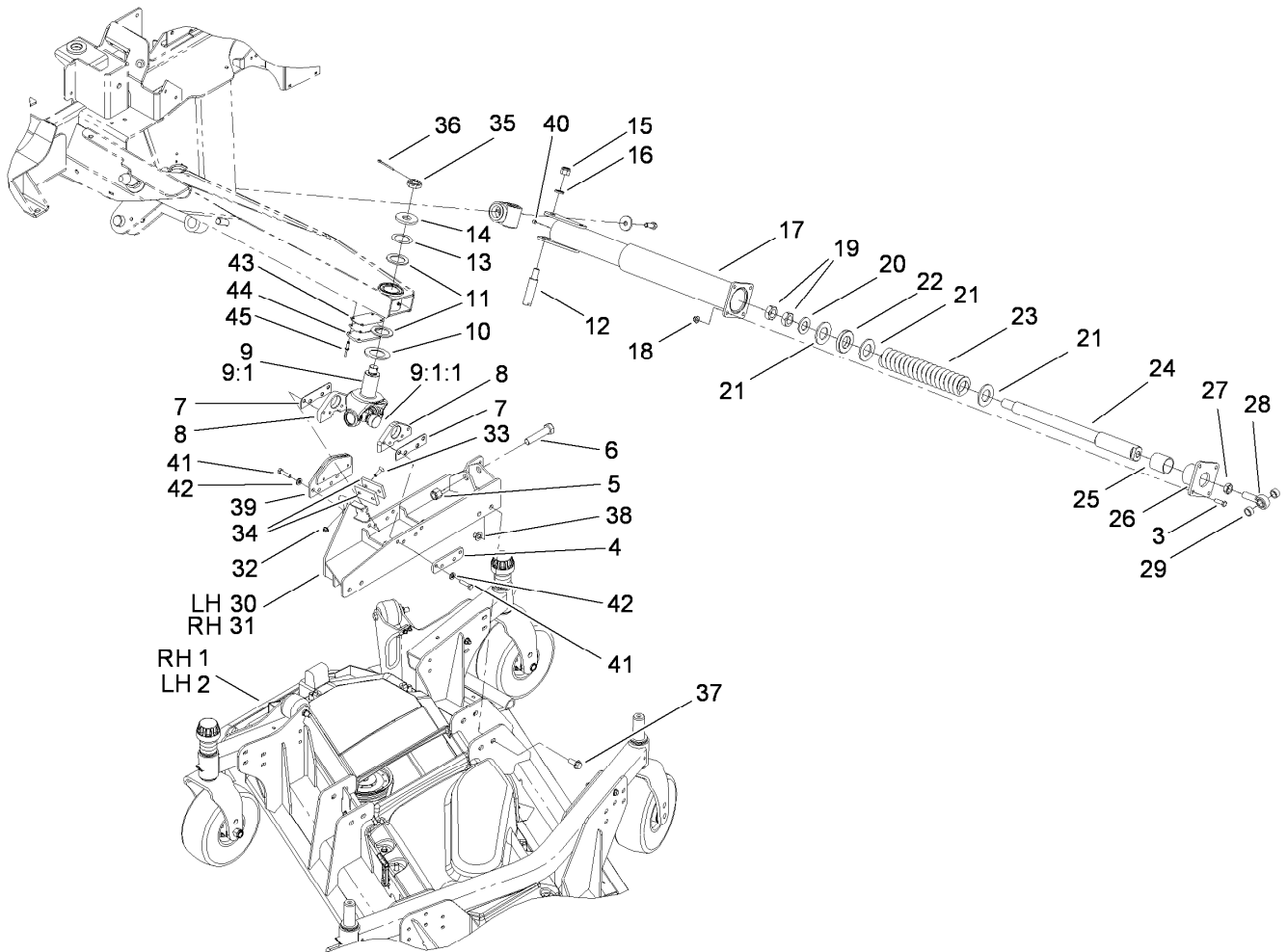
■ Not serviced separately



Hydraulic Cylinder Assembly No. 114-5685

<i>Ref.</i>	<i>Part Number</i>	<i>Qty.</i>	<i>Description</i>
1	114-5612	1	Seal Kit
1:1		1	O-Ring ●
1:2		1	Backup ●
1:3		1	Seal-Bp ●
1:4		1	Ring-Wear ●
1:5		1	Seal-Bs ●
1:6		1	Ring-Wear ●
1:7		1	Seal-Dust ●
1:8		1	O-Ring ●
2	117-9407	1	Bushing-Connex

● Not serviced separately



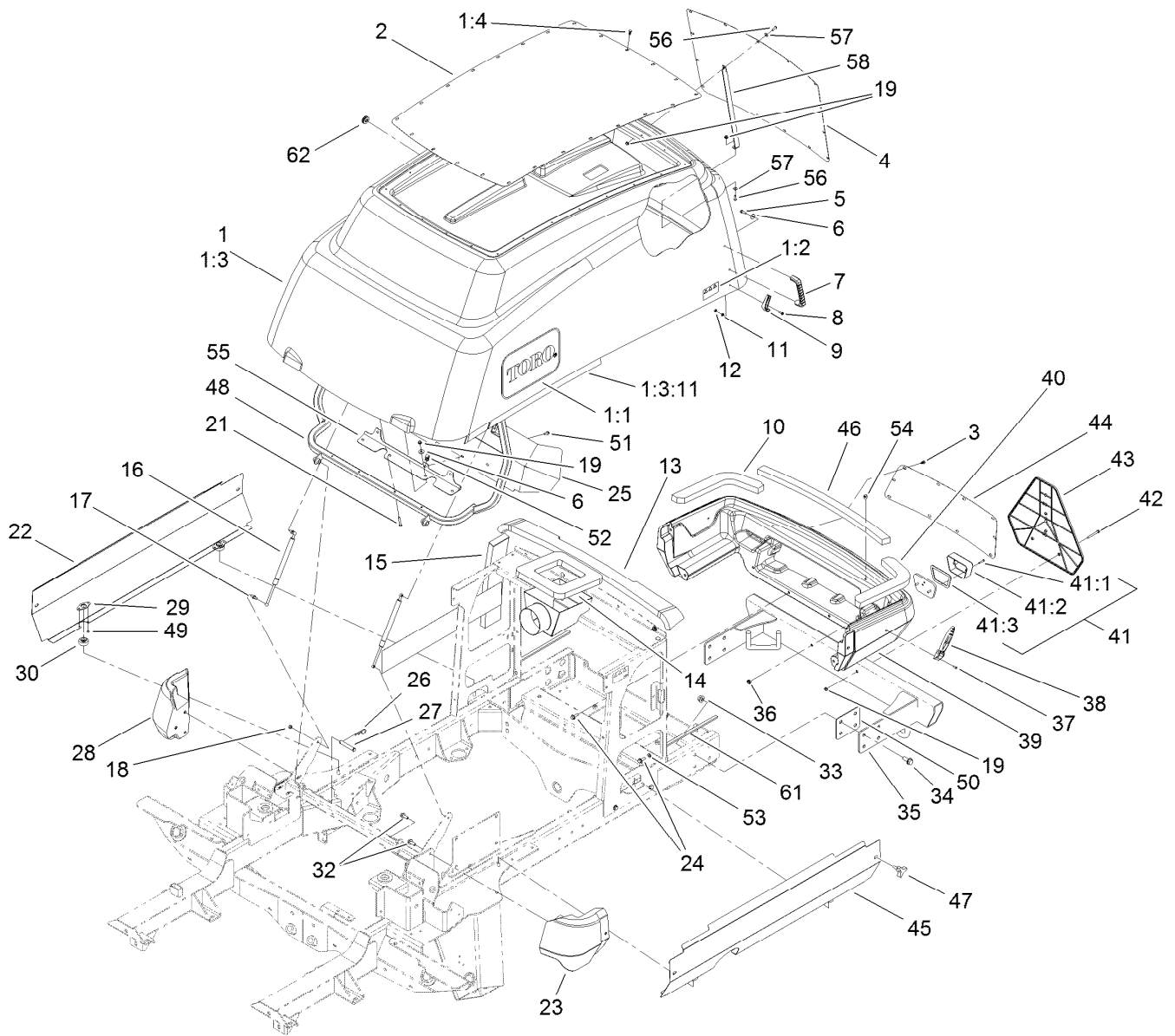
Wing Connection and Impact Arm Assembly

Ref.	Part Number	Qty.	Description
1		1	Right Deck ASM ● ■
2		1	Left Deck ASM ■
3	323-7	8	Screw-HH
4	117-9419	2	Plate-Spacer
5	3296-51	2	Nut-Lock, NI
6	328-5	2	Screw-HH
7	104-0731	4	Shim
8	115-8870-03	4	Mount-Base
9	114-5640-03	2	Joint Yoke ASM
9:1		1	Yoke-Joint ■
9:1:1	104-4299	1	Cross And Bearing Kit
10	104-0720	2	Spacer
11	104-0721	4	Washer-Thrust
12	104-2281	2	Shaft-Pivot
13	114-5641	2	Washer-Thrust
14	104-0719	2	Washer-Hardened
15	3296-53	2	Nut-Lock, NI
16	3253-8	2	Washer-Lock
17	112-7330-03	2	Arm-Impact, Rear
18	104-8301	8	Nut-HF, NI
19	3220-9	4	Nut-Jam
20	3256-62	2	Washer-Flat
21	114-5986	6	Washer-Plain
22	114-5992	2	Bearing-Plastic

Ref.	Part Number	Qty.	Description
23	114-5993	2	Spring-Compression
24	117-9404	2	Shaft-Spring
25	114-5989	2	Bushing-Plain
26	114-5677-03	2	Housing
27	3220-7	2	Nut-Jam
28	105-2806	2	End-Rod
29	74-3730	4	Spacer-Spindle, Rear
30	114-0925-01	1	Connection-Deck, LH
31	114-0926-01	1	Connection-Deck, RH
32	104-8300	4	Nut-HF, NI
33	32108-103	4	Screw-FH
34	69-9290	4	Pad-Bumper
35	99-3139	2	Nut
36	3272-25	2	Pin-Cotter
37	3234-38	16	Screw-HHF
38	99-5107	16	Nut-Lock
39	119-4525-01	2	Stop
40	285-17	2	Plug-Pipe
41	323-43	16	Screw-HH
42	100-4852	16	Washer-Hardened
43	119-4522	4	Shim-Stop
44	119-4521	2	Pad-Stop
45	3269-35	8	Rivet-Blind

● Not illustrated

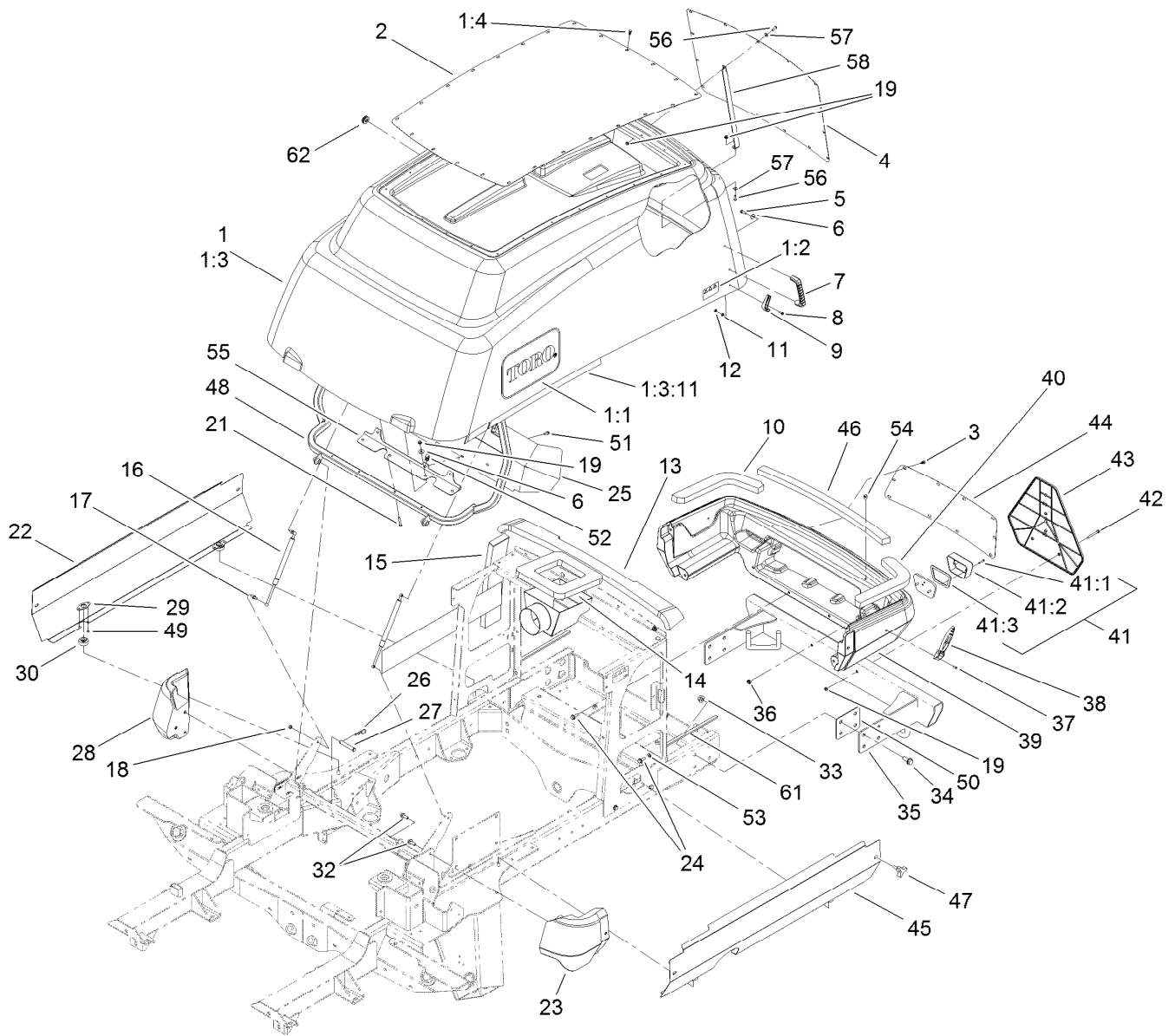
■ Not serviced separately



Hood and Bumper Assembly

Ref.	Part Number	Qty.	Description	Ref.	Part Number	Qty.	Description
1	117-9405	1	Hood ASM	14	114-0186	1	Foam-Hood, Air Box
1:1	114-0990	2	Decal	15	114-0184	2	Foam-Hood, Side
1:2	106-6754	2	Decal-Danger	16	114-5532	2	Cylinder-Gas
1:3		1	Hood ASM ●	17	103-5752	4	Stud-Ball
1:3:11	114-5527	1	Tape-Heat Shield	18	32153-3	4	Nut-Hex, Side Deform
1:4	117-2382	38	Plug-Plastic	19	104-7201	12	Nut-HF
2	114-0076-03	1	Screen-Hood, Top	21	321-10	8	Screw-HH
3	117-2382	48	Plug-Plastic	22	114-4890-03	1	Panel-Side
4	114-0077	1	Screen-Hood, Back	23	117-5456	1	Shroud-Front, LH
5	46-8091	4	Screw-HWH	24	3234-29	8	Screw-HHF
6	87-6630	12	Washer-Plain	25	115-5498-03	1	Shield-Heat
7	65-5100	2	Handle-Door	26	92-2762	2	Pin-Hair
8	3274-39	4	Screw-HSBH	27	283-55	2	Pin-Clevis
9	103-2897	2	Latch-Catch	28	117-5457	1	Shroud-Front, RH
10	114-0187	1	Foam-Rear, RH	29	114-5619	4	Plate-Grommet
11	3256-14	4	Washer-Flat	30	114-4869	4	Grommet
12	3296-12	4	Nut-Lock, NI	32	3234-42	6	Screw-HHF
13	114-0185	1	Foam-Hood, Top	33	99-5107	8	Nut-Lock

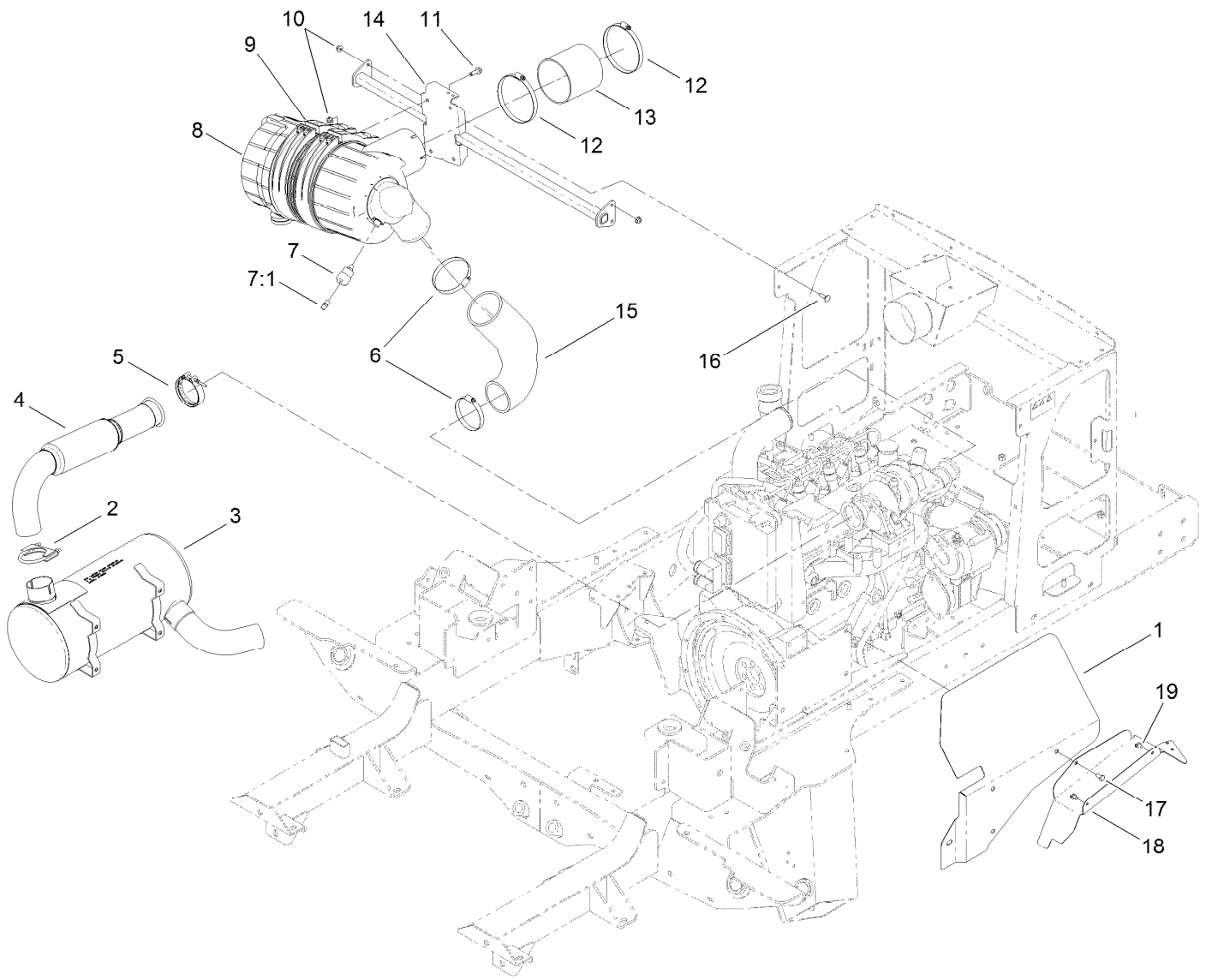
● Not serviced separately



Hood and Bumper Assembly (continued)

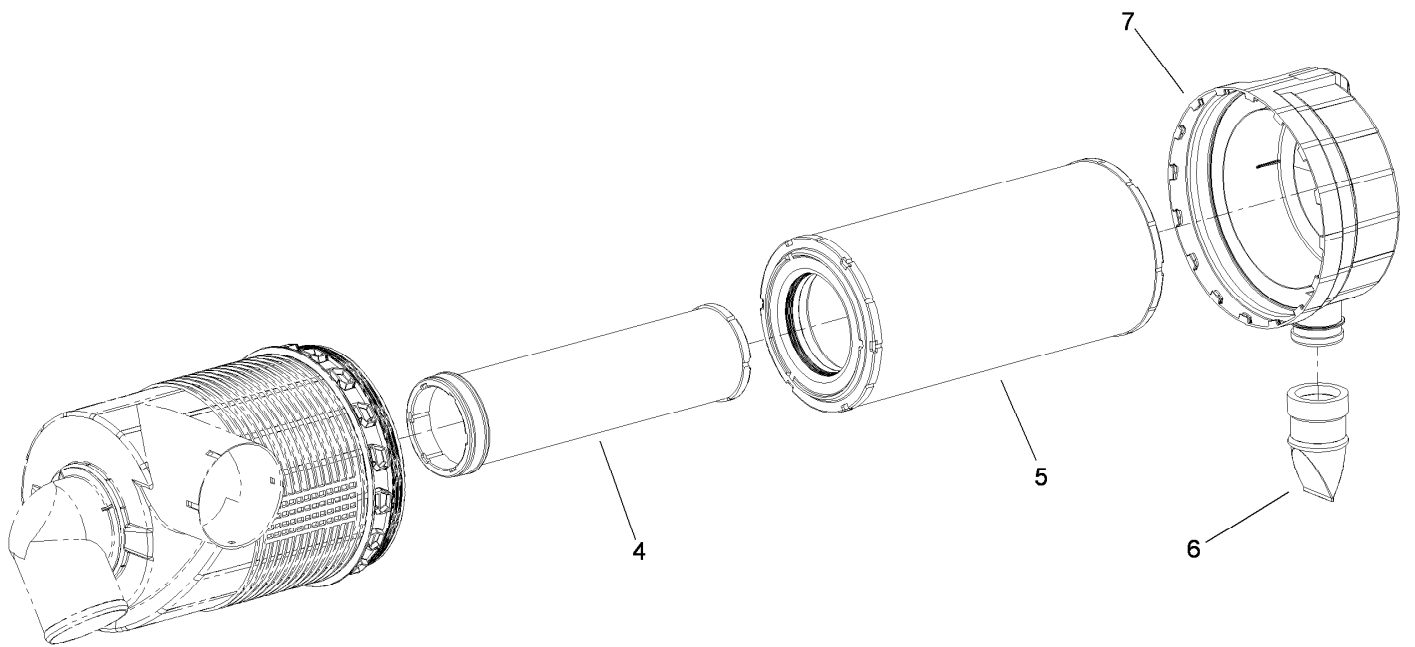
Ref.	Part Number	Qty.	Description	Ref.	Part Number	Qty.	Description
34	3234-38	8	Screw-HHF	46	114-0183	1	Foam-Hood, Rear
35	115-5457-03	1	Bumper	47	106-2240	4	Knob
36	3290-506	4	Palnut	48	114-5548-03	1	Frame-Hood
37	3234-4	2	Screw-HHF	49	1-803035	8	Rivet-Pop
38	103-2898	2	Latch-Rubber	50	115-5458-03	1	Shim-Bumper
39	119-8251	1	Shroud ASM-Lower, Rear	51	3234-4	3	Screw-HHF
40	114-0188	1	Foam-Rear, LH	52	107069	3	Clip
41	104-6662	2	Stop And Tail Lamp ASM	53	3256-23	4	Washer-Plain
41:1	32144-93	4	Screw-PPHTF	54	32180-030	2	Clip-Tie
41:2	87-6300	2	Lens-Light, Tail	55	115-5497-03	1	Plate-Support
41:3	87-6310	2	Gasket-Light, Tail	56	99-7335	2	Screw
42	114-8410	2	Screw-HHF	57	3256-1	2	Washer-Flat
43	92-7760	1	Emblem-Vehicle, Slow Moving	58	115-5522-03	1	Strap-Hood
44	114-4897-03	1	Screen-Shroud, Lower	61	107-8676	2	Seal-Foam
45	114-5592-03	1	Panel-Side, LH	62	104-1453	1	Grommet

● Not serviced separately



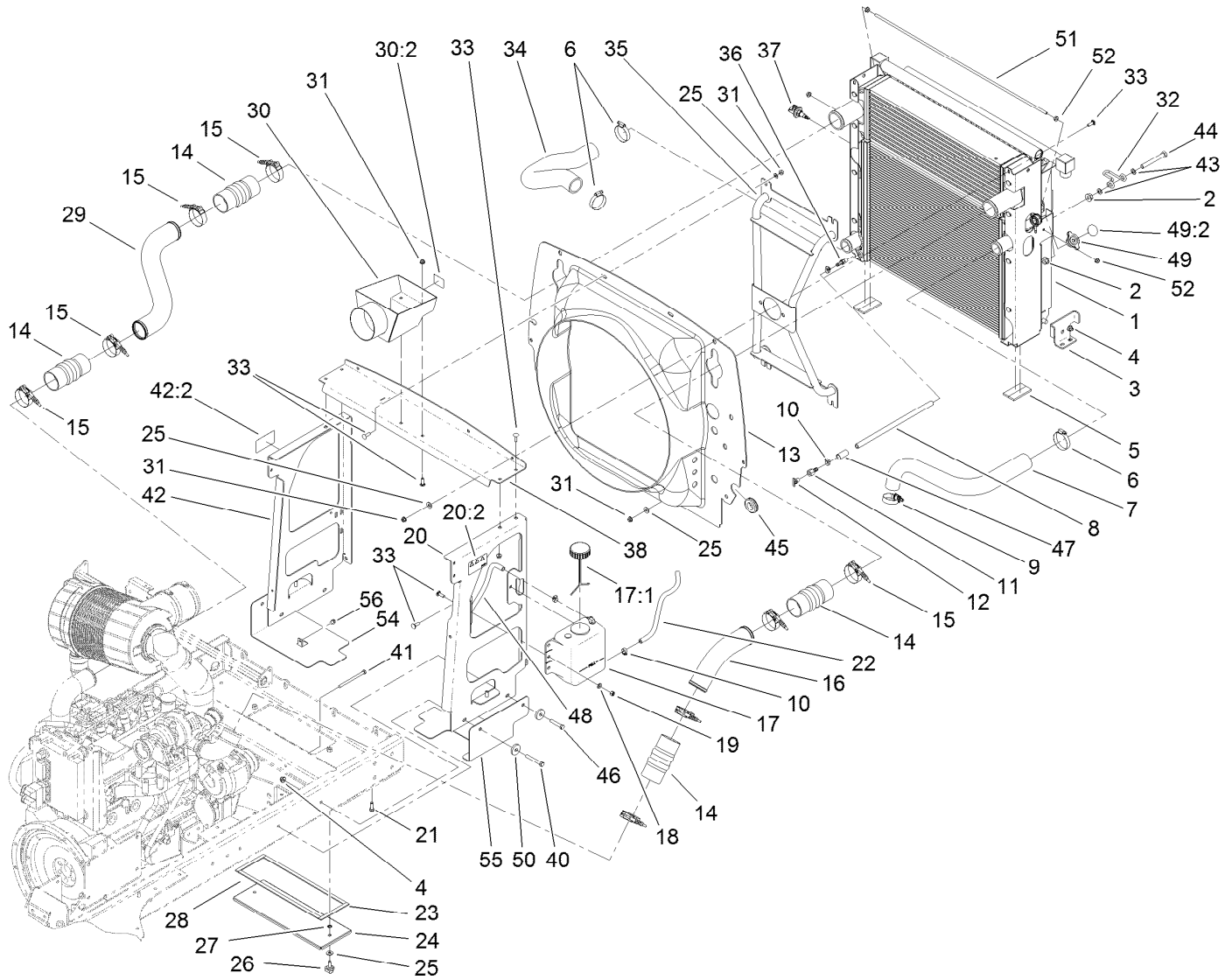
Air Cleaner and Muffler Assembly

<i>Ref.</i>	<i>Part Number</i>	<i>Qty.</i>	<i>Description</i>	<i>Ref.</i>	<i>Part Number</i>	<i>Qty.</i>	<i>Description</i>
1	117-9417-03	1	Shield-Heat	10	104-8300	8	Nut-HF, NI
2	112-7310	1	Clamp-Muffler	11	3234-29	4	Screw-HHF
3	114-5589	1	Muffler	12	2412-46	2	Clamp
4	114-5588	1	Tube-Exhaust	13	112-7371	1	Hose-Air
5	112-7323	1	Clamp-Exhaust	14	112-7348-03	1	Mount-Cleaner, Air
6	114-4938	2	Clamp-Worm	15	119-7714	1	Hose-Air, Intake
7	104-3563	1	Indicator	16	3230-2	4	Bolt-CARR
7:1	94-1416	1	Adapter-Indicator	17	33104-016	4	Screw-HHF
8	112-7329	1	Air Cleaner ASM	18	117-9448-03	1	Shield-Heat
9	112-7340	2	Band-Mounting, Air Cleaner	19	32180-030	2	Clip-Tie



Air Cleaner Assembly No. 112-7329

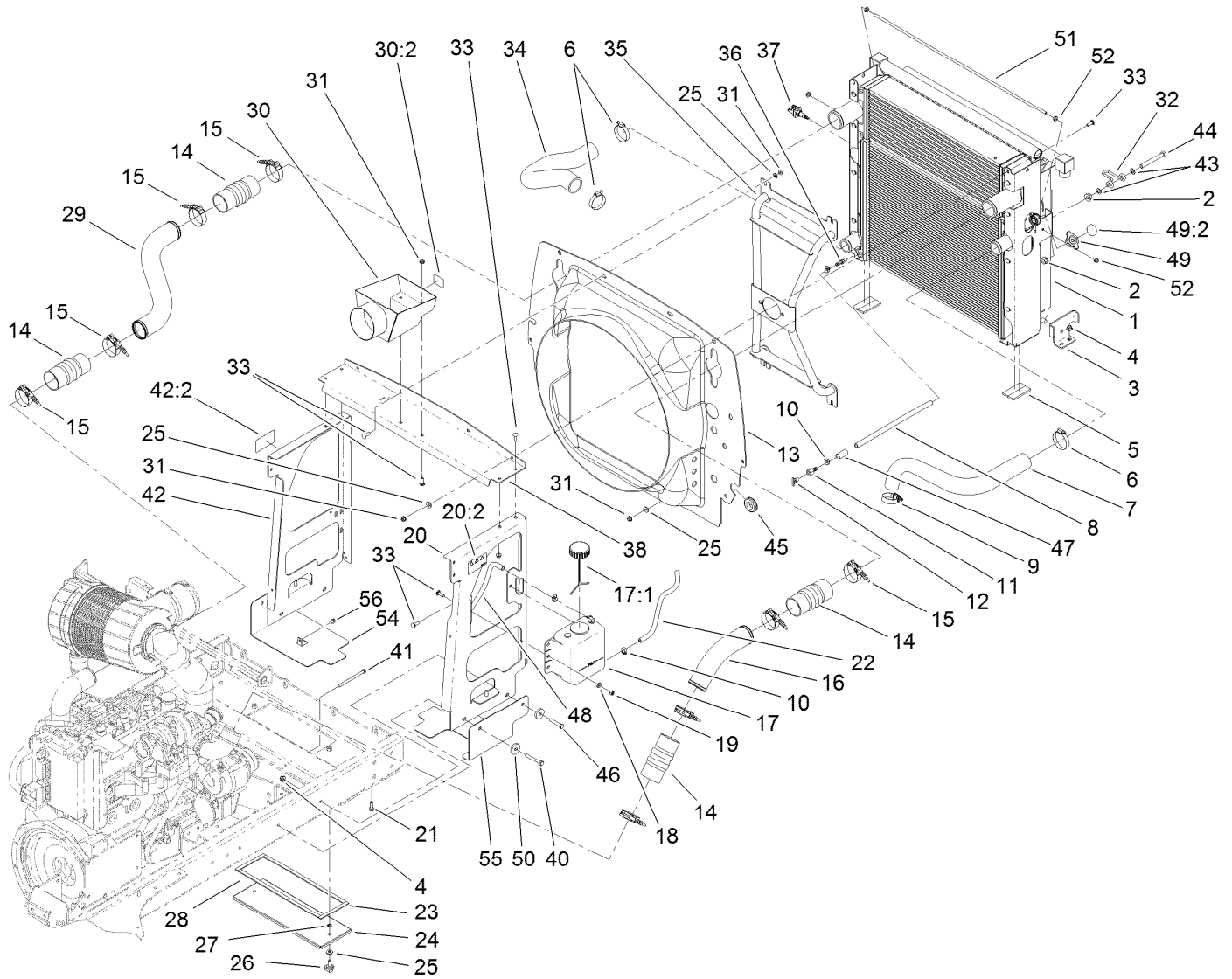
<i>Ref.</i>	<i>Part Number</i>	<i>Qty.</i>	<i>Description</i>
4	115-8877	1	Filter-Air, Engine (Safety)
5	115-8887	1	Filter-Air, Engine (Primary)
6	114-5624	1	Valve-Vacuator
7	114-5625	1	Cover ASM



Radiator and Fan Shroud Assembly

Ref.	Part Number	Qty.	Description	Ref.	Part Number	Qty.	Description
1		1	Radiator ASM ●	18	3256-23	2	Washer-Plain
2	32128-49	4	Nut-HHF	19	3296-29	2	Nut-Lock, NI
3	115-5433-01	2	Plate-Support, Cooler	20	115-5438	1	LH Radiator Support ASM
4	104-8301	8	Nut-HF, NI	20:2	106-6754	1	Decal-Danger
5	52-5260	4	Pad-Rubber	21	323-6	4	Screw-HH
6	2412-130	3	Clamp-Hose	22	106-1126	1	Hose-Fuel
7	112-7285	1	Hose-Upper, Radiator	23	105-0778	2	Strip-Foam
8	94-5625	1	Hose	24	104-2287-03	1	Cover-Frame
9	2412-111	1	Clamp	25	3256-3	10	Washer-Flat
10	2412-108	5	Clamp-Worm	26	95-9648	2	Knob
11	354-94	1	Fitting-Female, Barbed	27	32151-72	2	Ring-Retaining
12	93-5528	1	Fitting-Cock, Drain	28	105-0777	2	Strip-Foam
13	112-7295	1	Shroud-Fan	29	112-7282	1	Tube-Cac, Cold (Rigid)
14	112-7283	4	Tube-Cac, Flexible	30	117-5468	1	Air Box ASM
15	114-0031	8	Clamp, T-Bolt	30:2	93-7275	1	Decal-Fluid, Starting
16	112-7281	1	Tube-Cac, Hot (Rigid)	31	104-8300	14	Nut-HF, NI
17	104-2276	1	Reservoir-Coolant	32	104-5429	2	Clamp-Form, Wire
17:1	87-7050	1	Cap-Reservoir	33	3230-2	14	Bolt-CARR

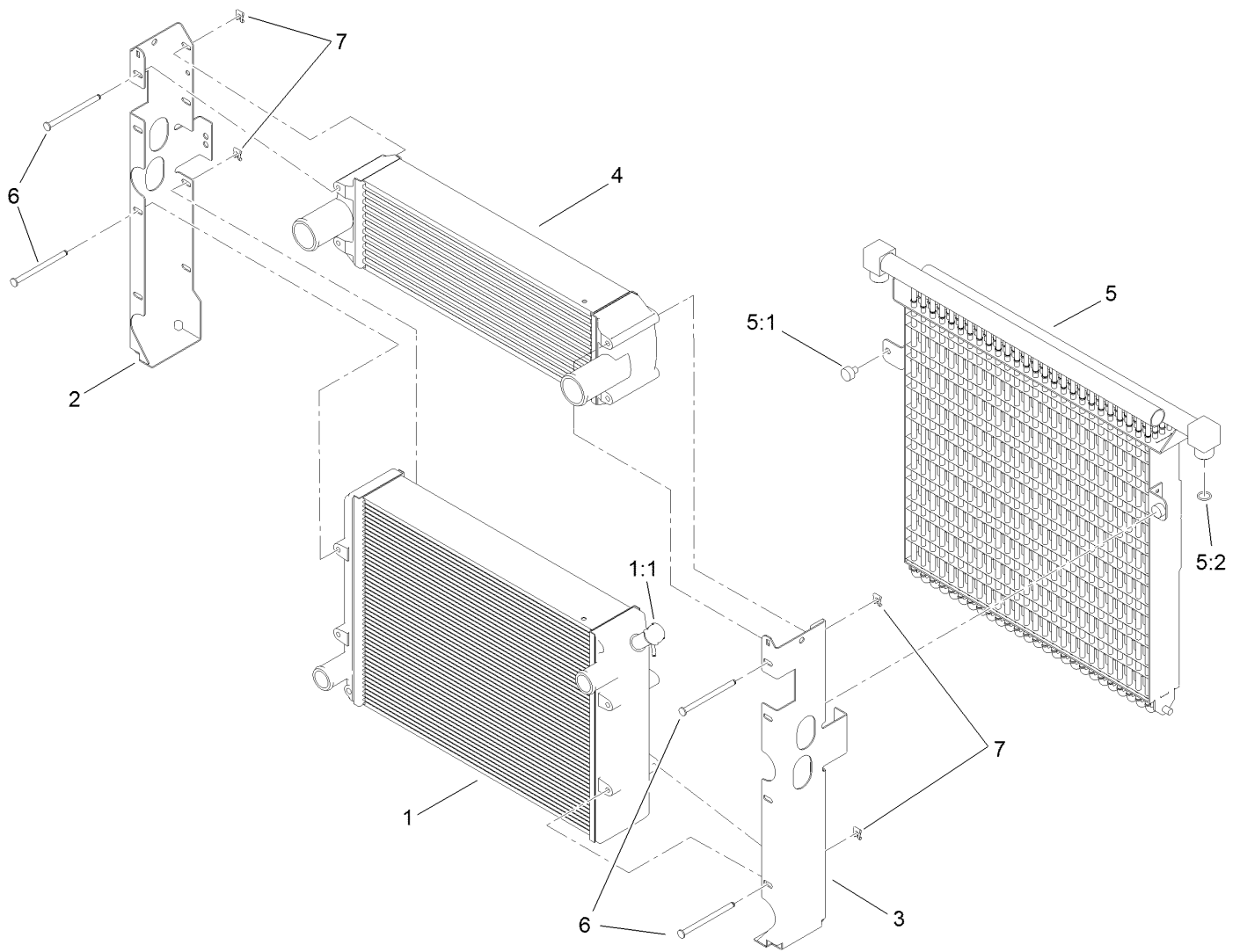
● Not serviced separately



Radiator and Fan Shroud Assembly (continued)

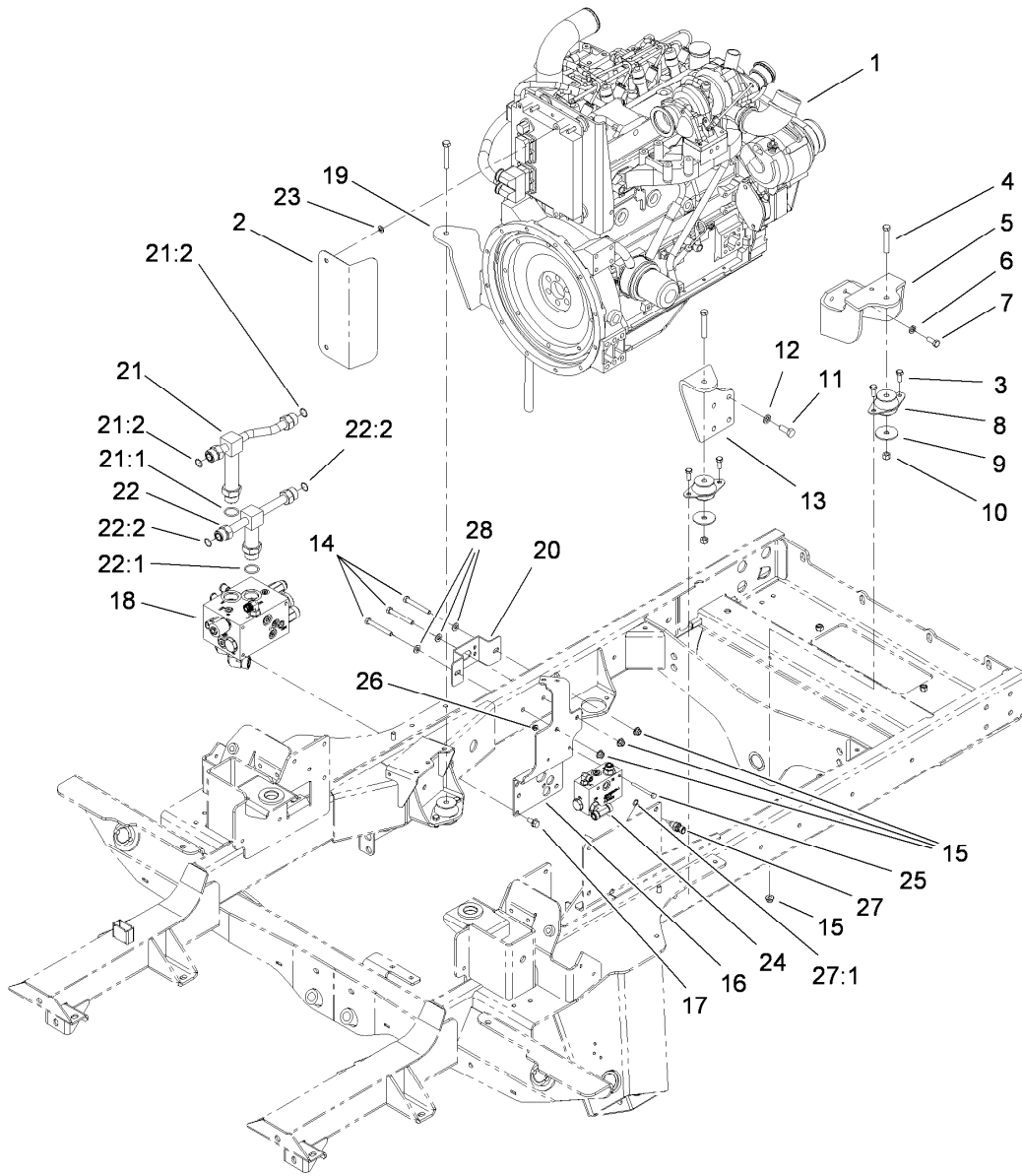
<i>Ref.</i>	<i>Part Number</i>	<i>Qty.</i>	<i>Description</i>	<i>Ref.</i>	<i>Part Number</i>	<i>Qty.</i>	<i>Description</i>
34	112-7284	1	Hose-Lower, Radiator	46	323-11	2	Screw-HH
35	112-7290-03	1	Bracket-Motor, Fan	47	114-5530	1	Sleeve-Hose
36	108-0342	1	Fitting-Straight	48	109-0309	1	Hose-Fuel
37	110-8828	1	Sensor-Level, Coolant	49	115-5440	1	Radiator Cap ASM
38	114-0155-03	1	Support-Radiator, Top	49:2	106-6755	1	Decal-Cap, Radiator
40	323-14	2	Screw-HH	50	1-543610	4	Washer-Clutch
41	322-38	2	Screw-HH	51	115-5496	1	Rod-Support
42	115-5437	1	RH Radiator Support ASM	52	32128-20	4	Nut-HF
42:2	106-6754	1	Decal-Danger	54	119-8254-01	1	Bracket-Diffuser, RH
43	41-8440	4	Washer	55	119-8255-01	1	Bracket-Diffuser, LH
44	325-17	2	Screw-HH	56	32180-030	1	Clip-Tie
45	108-3723	2	Grommet				

● Not serviced separately



Radiator Assembly

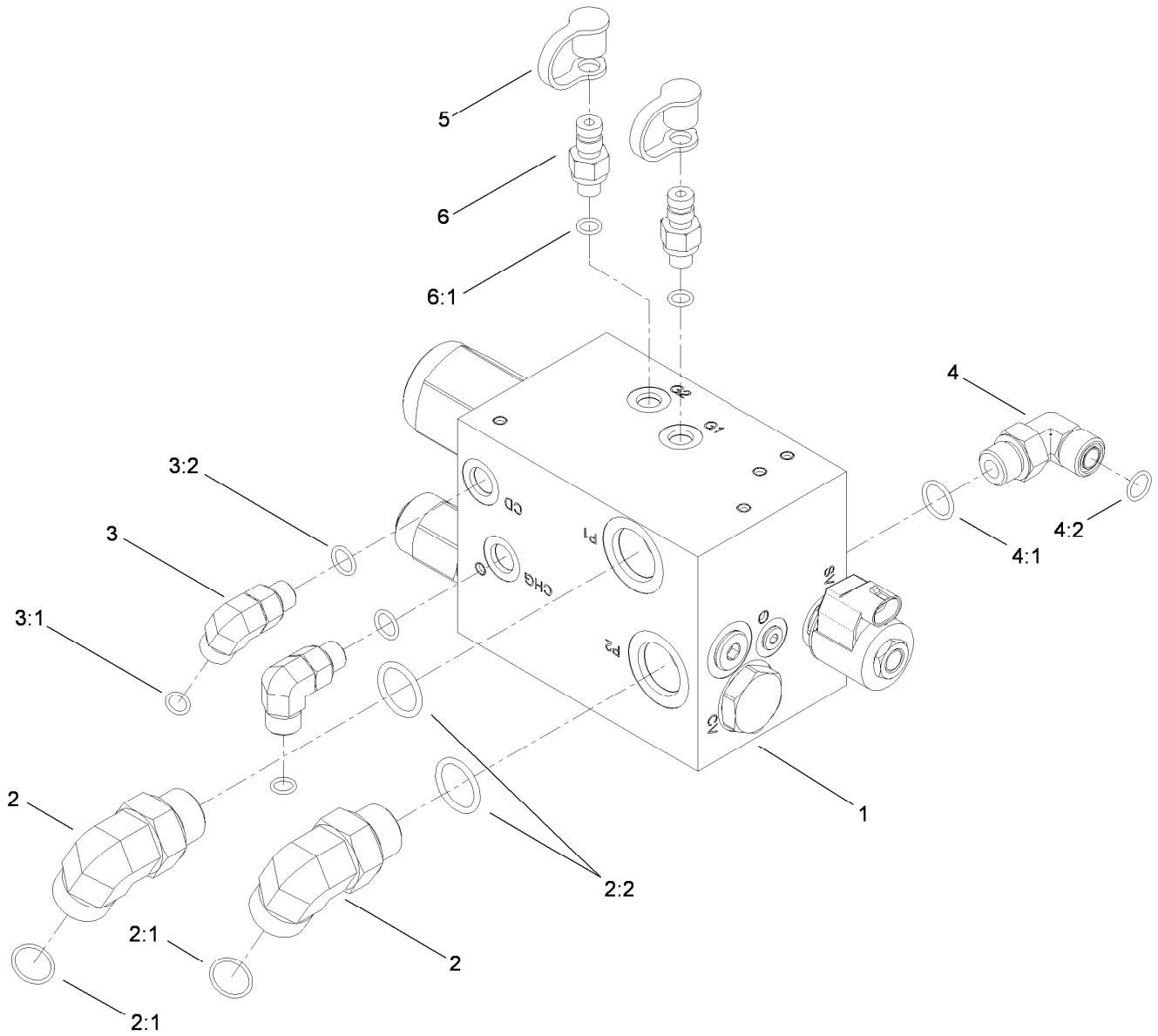
Ref.	Part Number	Qty.	Description
1	114-5542	1	Radiator
1:1	93-5957	1	Cap-Radiator
2	114-5540	1	Bracket-Cooler, RH
3	114-5541	1	Bracket-Cooler, LH
4	114-5543	1	Cooler-Charge, Air
5	114-5544	1	Cooler-Oil
5:1	115-5495	2	Bumper-Rubber
5:2	340-65	2	O-Ring
6	114-5545	8	Pin
7	114-5546	8	Clip-Pin



Engine and Mount Assembly

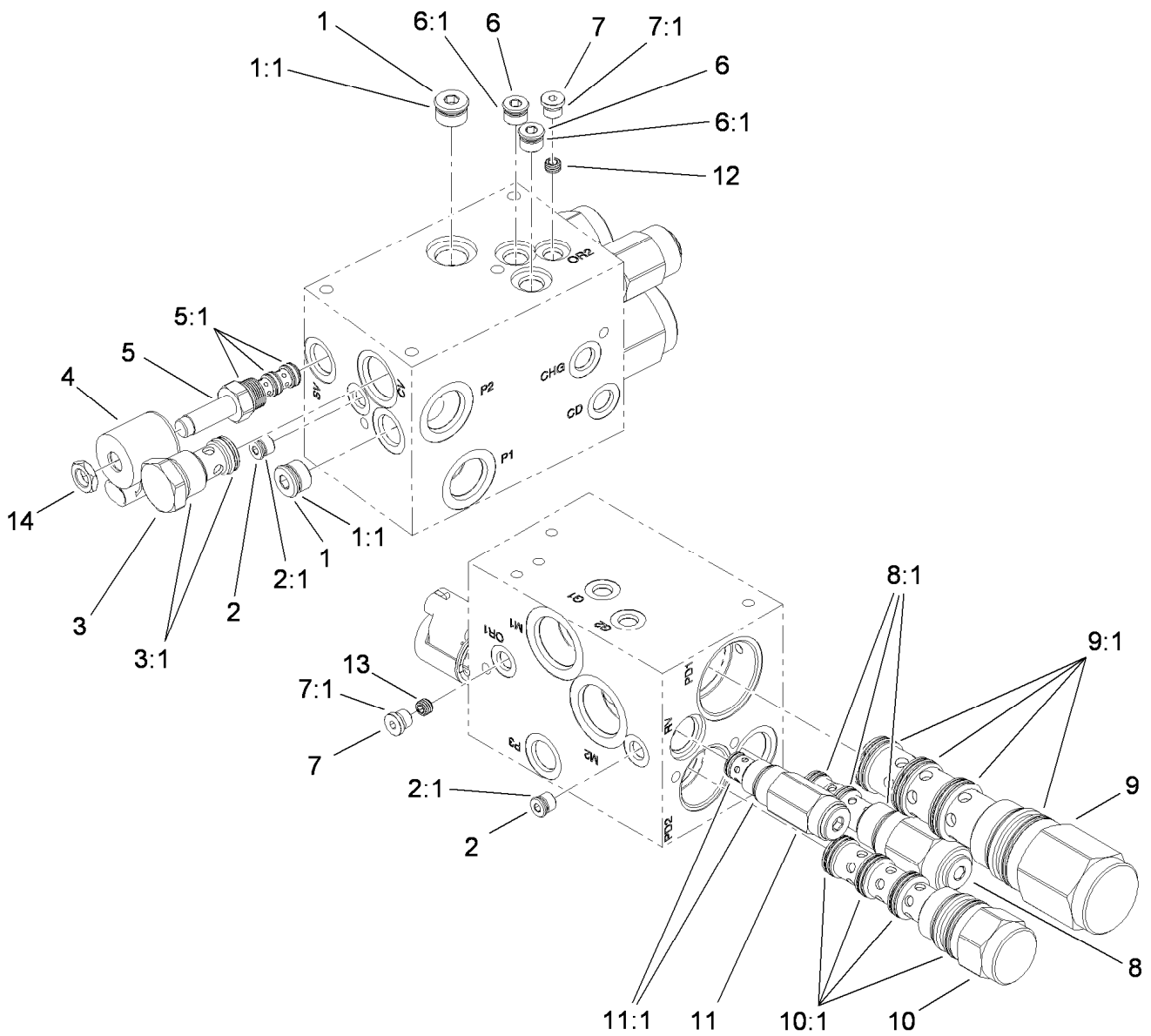
Ref.	Part Number	Qty.	Description	Ref.	Part Number	Qty.	Description
1		1	Engine-Cummins ●	18		1	4Wd Manifold ASM ●
2	114-5591-03	1	Shield-Heat	19	110-6028-03	1	Mount-Front, RH (Engine Isolator)
3	323-5	7	Screw-HH	20	114-5560	1	Plate-Mount, Bulkhead
4	324-11	4	Screw-HH	21	114-0878	1	Fitting-Special
5	110-6018-03	2	Mount-Engine, Rear	21:1	237-146	1	O-Ring
6	3253-6	8	Washer-Lock	21:2	237-58	2	O-Ring
7	33115-025	8	Screw-HH	22	114-0877	1	Fitting-Special
8	53-9681	4	Mount-Engine	22:1	237-146	1	O-Ring
9	87-5100	4	Washer-Snubbing	22:2	237-58	2	O-Ring
10	3296-48	4	Nut-Lock, NI	23	3256-23	2	Washer-Plain
11	33116-030	8	Screw-HH	24		1	Flush Manifold ASM ●
12	3253-7	8	Washer-Lock	25	321-14	2	Screw-HH
13	110-6029-03	1	Mount-Front, LH (Engine Isolator)	26	104-7201	2	Nut-HF
14	323-14	3	Screw-HH	27	110-8829	1	Sender-Temperature
15	104-8301	11	Nut-HF, NI	27:1	237-42	1	O-Ring
16	112-7422-03	1	Plate-Mount, 4Wd Valve	28	3256-24	3	Washer-Flat
17	3234-1	4	Screw-HHF				

● Not serviced separately



4 Wheel Drive Hydraulic Manifold Assembly

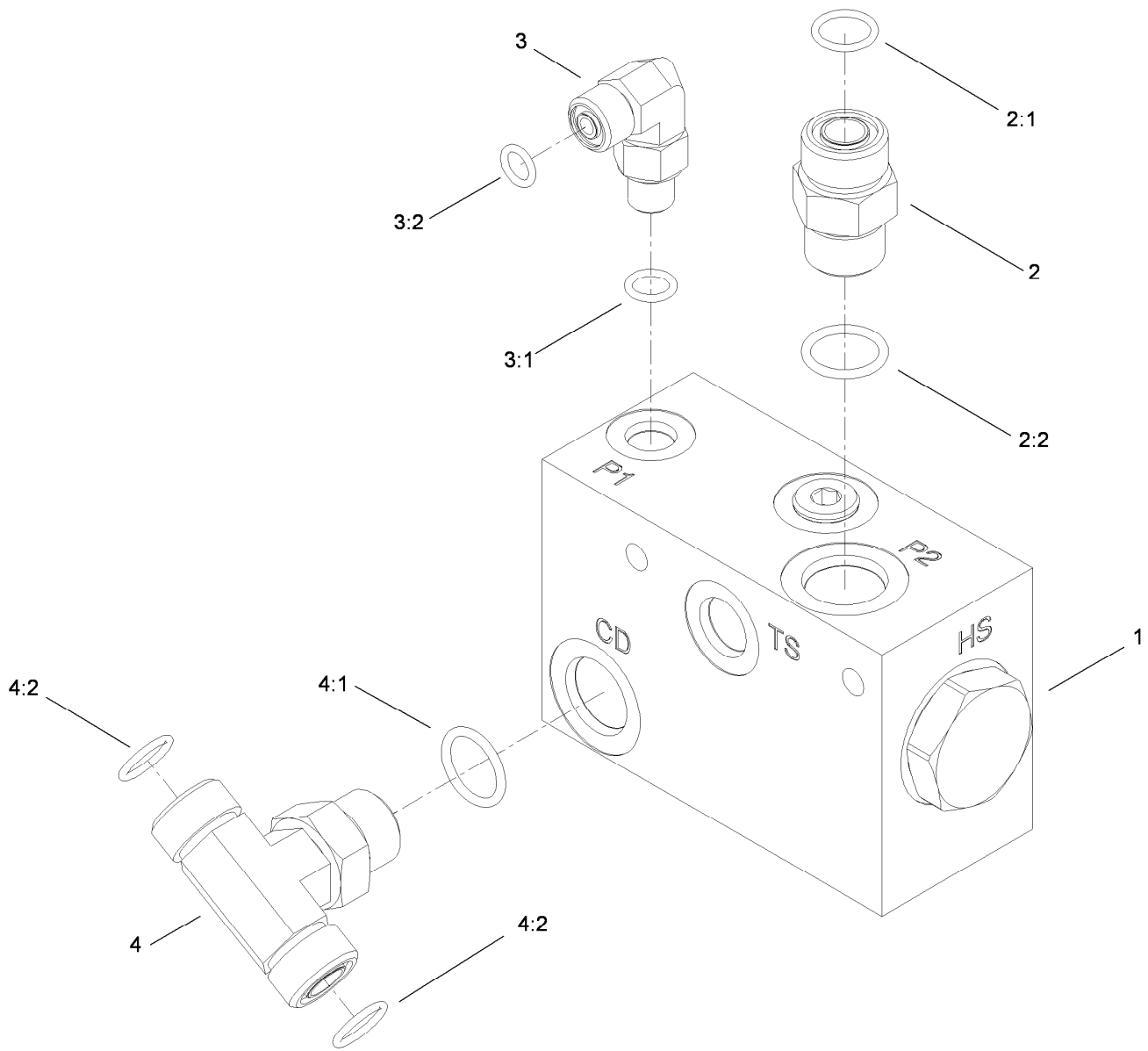
<i>Ref.</i>	<i>Part Number</i>	<i>Qty.</i>	<i>Description</i>
1	110-6063	1	Manifold-4Wd
2	340-142	2	Fitting-Elbow-90
2:1	237-58	1	O-Ring
2:2	237-81	1	O-Ring
3	340-77	2	Fitting-Elbow, 90 DEG
3:1	237-22	1	O-Ring
3:2	237-42	1	O-Ring
4	340-98	1	Fitting-Elbow, 90 DEG
4:1	237-79	1	O-Ring
4:2	237-30	1	O-Ring
5	354-79	2	Cap-Dust
6	354-77	2	Fitting-Quick
6:1	237-78	1	O-Ring



4 Wheel Drive Hydraulic Manifold Assembly No. 110-6063

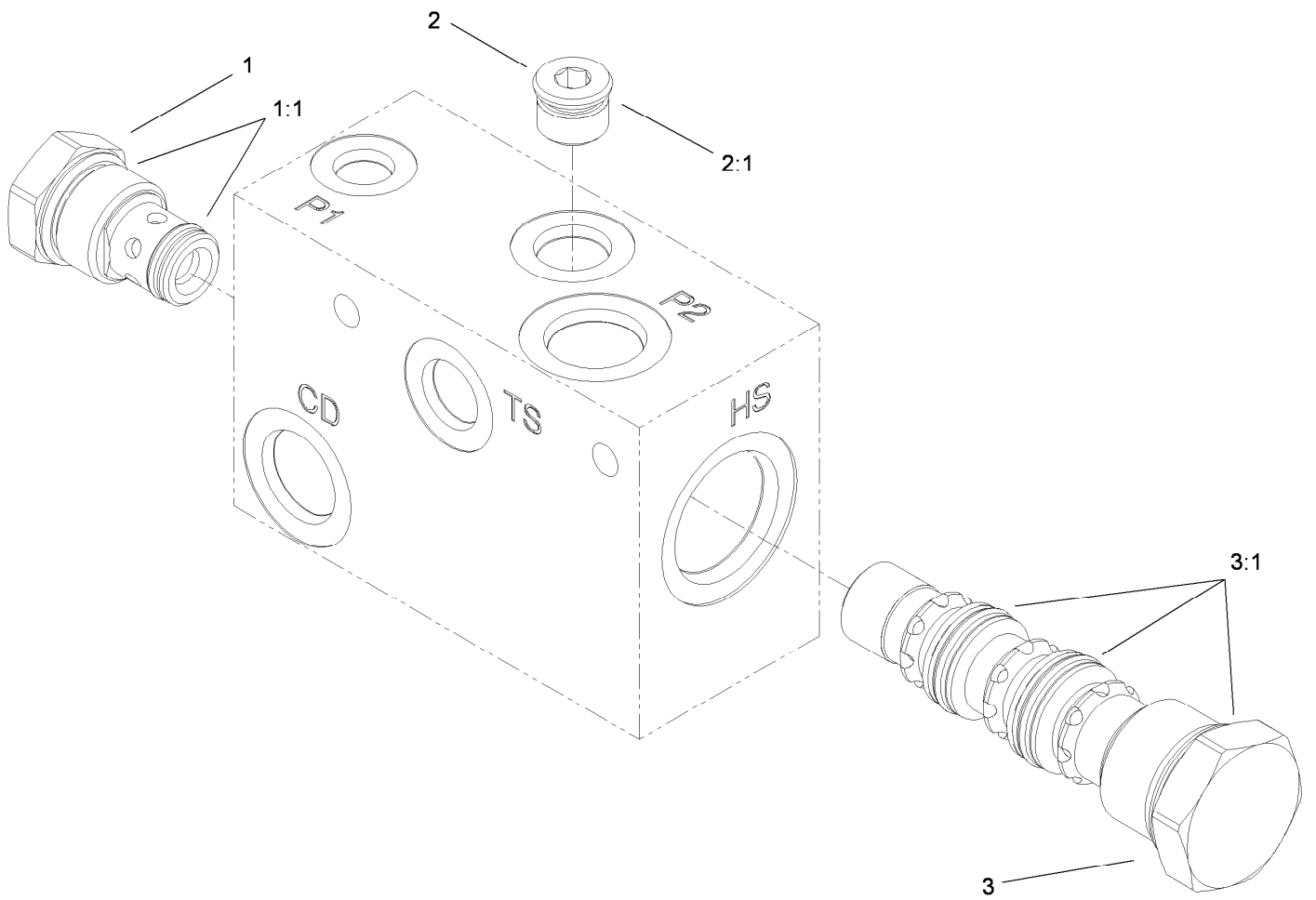
Ref.	Part Number	Qty.	Description
1	106-1027	2	Plug-HYD
1:1	237-79	1	O-Ring
2	106-1025	2	Plug-HYD
2:1	237-78	1	O-Ring
3	110-0468	1	Valve-Check, 5 PSI
3:1	110-0470	1	Seal Kit
4	105-9333	1	Coil-12Vdc
5	106-1995	1	Valve-3 Way
5:1	110-8773	1	Seal Kit
6	106-1026	2	Plug-HYD
6:1	237-42	1	O-Ring
7	353-990	2	Plug ASM

Ref.	Part Number	Qty.	Description
7:1	237-78	1	O-Ring
8	110-6069	1	Valve-Pressure, Red/Rel
8:1	110-6068	1	Seal Kit
9	112-7394	1	Directional-Pilot
9:1	115-5415	1	Seal Kit
10	110-0491	1	Valve-Directional
10:1	106-6775	1	Seal Kit
11	119-7724	1	Valve-Relief, Free Rev
11:1	110-6316	1	Seal Kit
12	107-1987	1	Orifice-0.040
13	110-5973	1	Orifice-0.030
14	110-2634	1	Nut-Coil



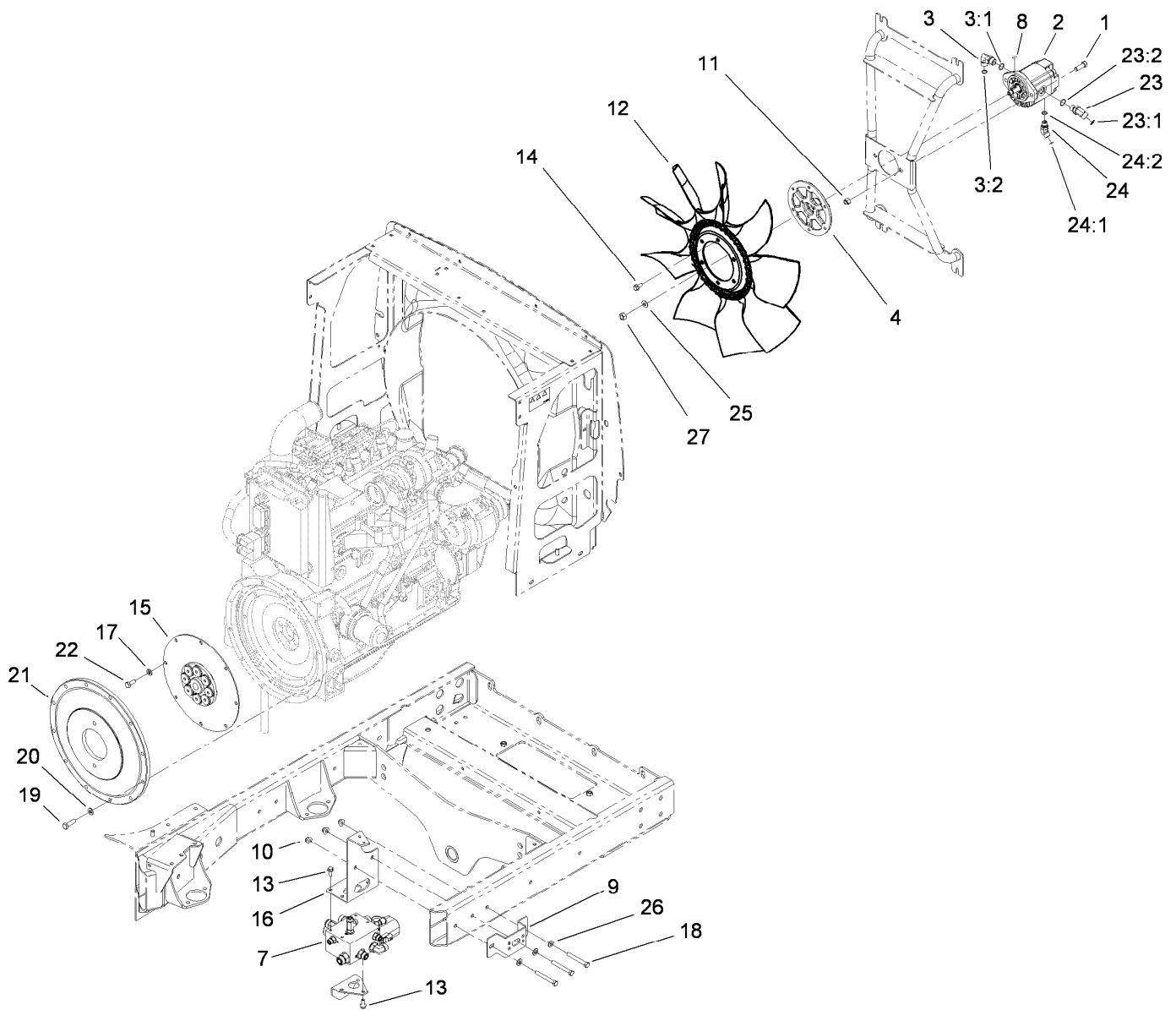
Flush Manifold Assembly

<i>Ref.</i>	<i>Part Number</i>	<i>Qty.</i>	<i>Description</i>
1	120-9869	1	Manifold-Flush
2	340-4	1	Fitting-Straight
2:1	237-30	1	O-Ring
2:2	237-79	1	O-Ring
3	340-132	1	Fitting-Elbow, 90 DEG
3:1	237-78	1	O-Ring
3:2	237-21	1	O-Ring
4	340-157	1	Fitting-HYD, Tee
4:1	237-79	1	O-Ring
4:2	237-30	2	O-Ring



Flush Valve Assembly No. 120-9869

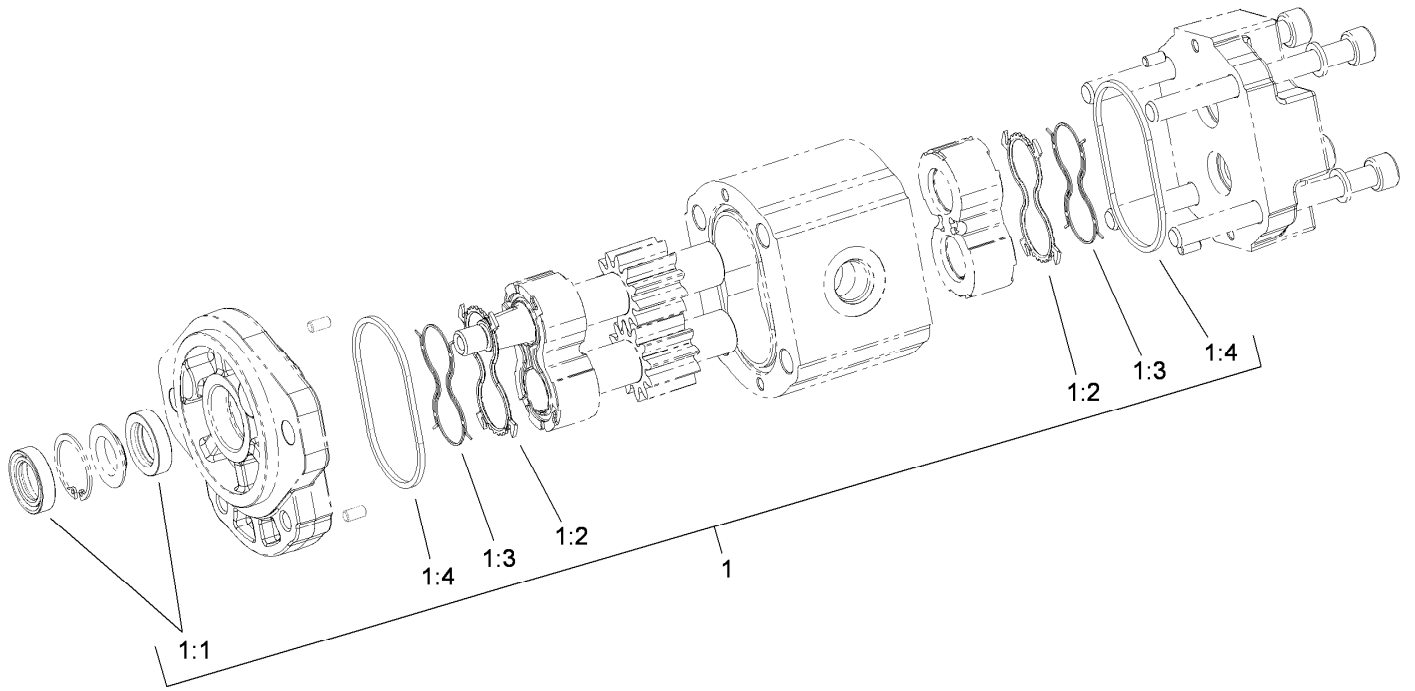
<i>Ref.</i>	<i>Part Number</i>	<i>Qty.</i>	<i>Description</i>
1	110-0469	1	Valve-Check, 180 PSI
1:1	105-9159	1	Seal Kit
2	106-1026	1	Plug-HYD
2:1	237-42	1	O-Ring
3	120-9868	1	Valve-Shuttle, Hot Oil
3:1	120-7597	1	Seal Kit



Fan and Coupling Assembly

Ref.	Part Number	Qty.	Description	Ref.	Part Number	Qty.	Description
1	3274-49	2	Screw-HSH	17	107-1413	8	Washer-Hardened
2	112-7400	1	Fan Motor ASM	18	323-14	3	Screw-HH
3	340-98	1	Fitting-Elbow, 90 DEG	19	33115-035	12	Screw-HH
3:1	237-79	1	O-Ring	20	100-4852	12	Washer-Hardened
3:2	237-30	1	O-Ring	21	110-6045	1	Cover-Housing, Flywheel
4	114-4848-03	1	Hub-Fan	22	33115-025	8	Screw-HH
7		1	Steer/Fan Manifold ASM ●	23	340-101	1	Fitting-HYD, 45 DEG
8	3257-3	1	Key-Woodruff	23:1	237-30	1	O-Ring
9	114-5560	1	Plate-Mount, Bulkhead	23:2	237-79	1	O-Ring
10	104-8301	3	Nut-HF, NI	24	340-87	1	Fitting-Elbow, 45 DEG
11	3296-48	2	Nut-Lock, NI	24:1	237-22	1	O-Ring
12	110-5980	1	Fan	24:2	237-42	1	O-Ring
13	110-5053	7	Screw-HHF	25	112-6957	1	Washer-Hardened
14	3234-47	6	Screw-HHF	26	3256-24	3	Washer-Flat
15	110-6046	1	Flywheel Coupling ASM	27	110-8815	1	Nut-Hex
16	112-7423-03	1	Plate-Mount, Fan/Steer Valve				

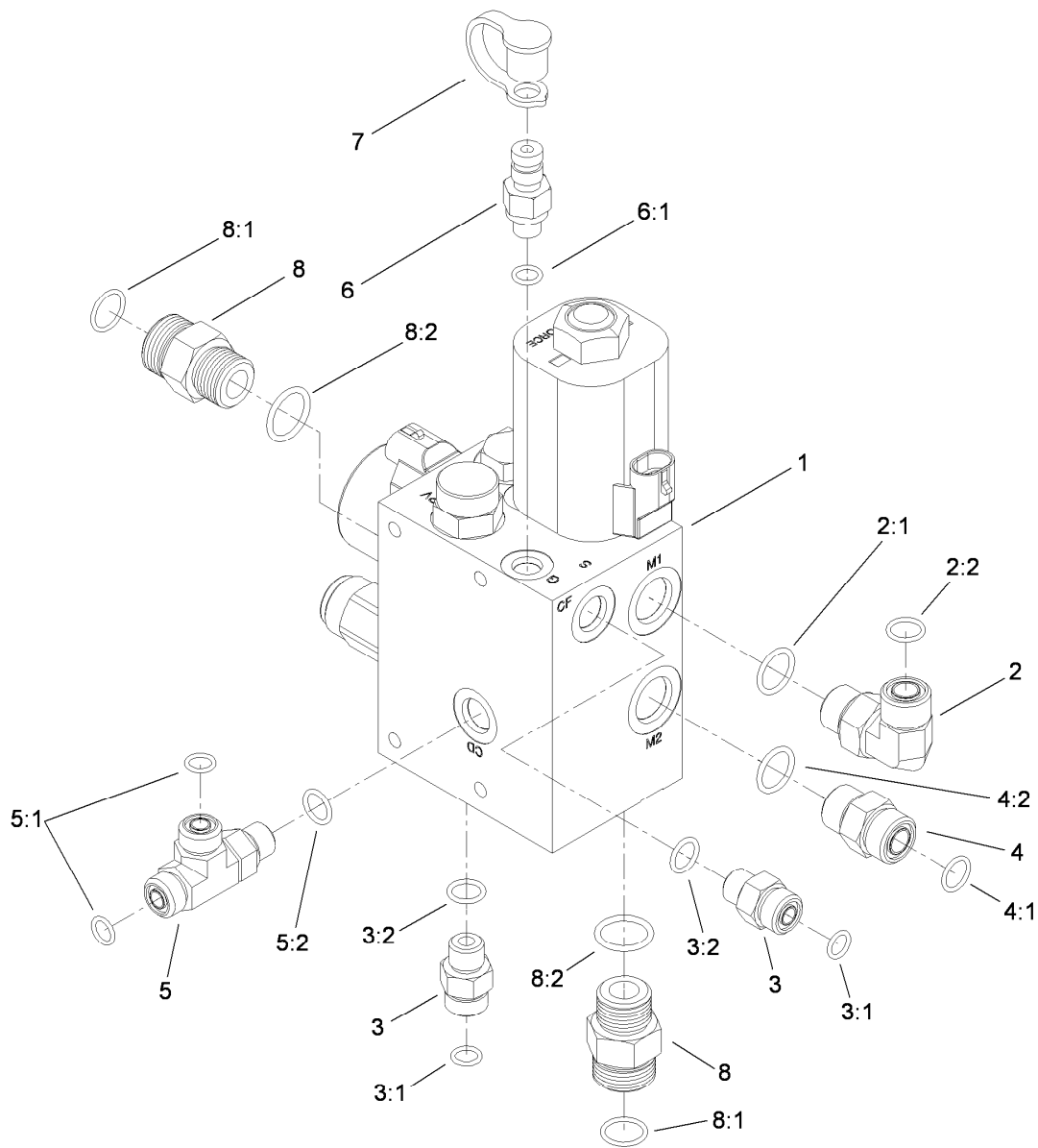
● Not serviced separately



Hydraulic Fan Motor Assembly No. 112-7400

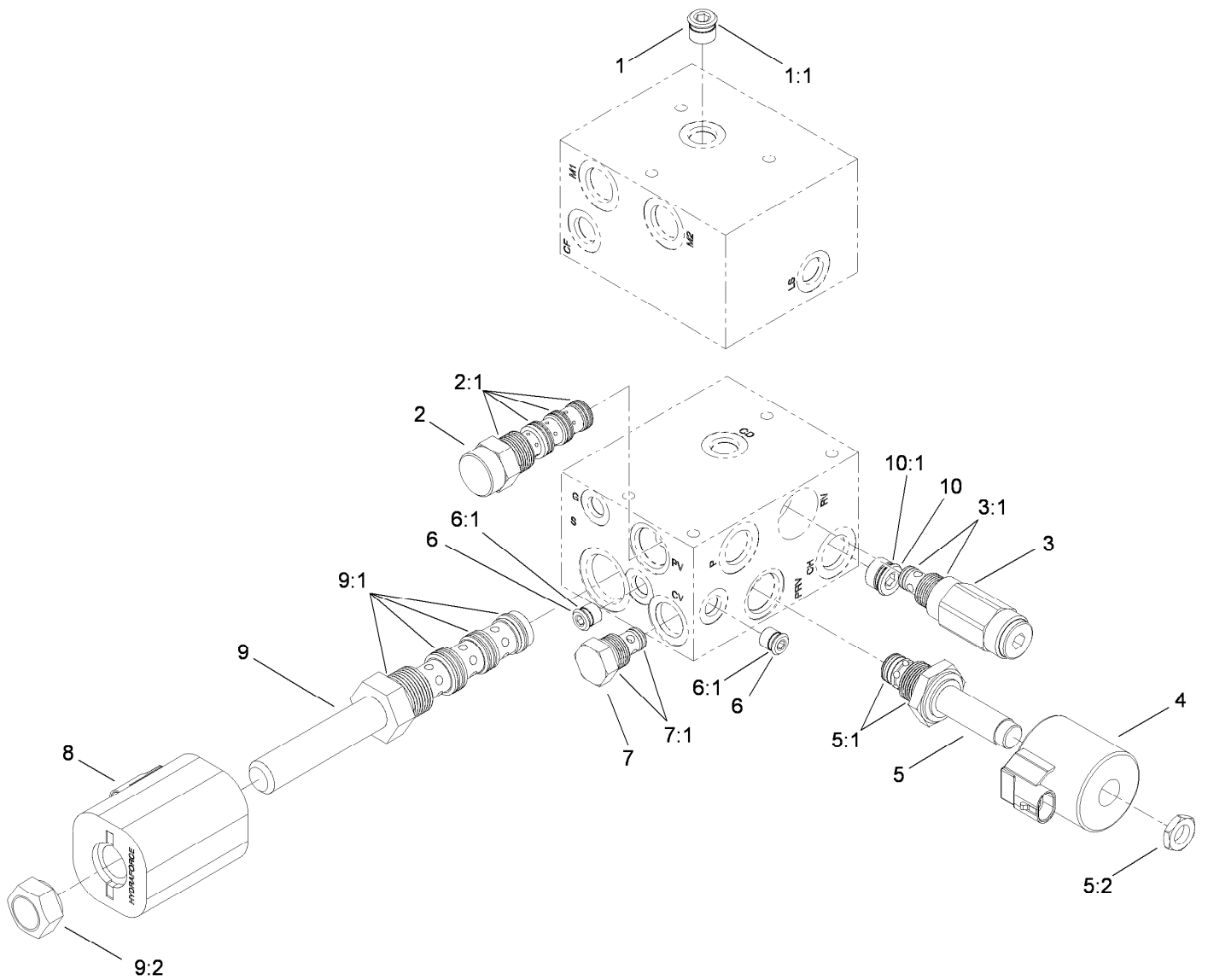
<i>Ref.</i>	<i>Part Number</i>	<i>Qty.</i>	<i>Description</i>
1	115-4110	1	Seal Kit
1:1		2	Seal-Shaft ●
1:2		2	Seal-Plate, Balancing ●
1:3		2	Seal-Anti Extrusion ●
1:4		2	O Ring-Housing ●

● Not serviced separately



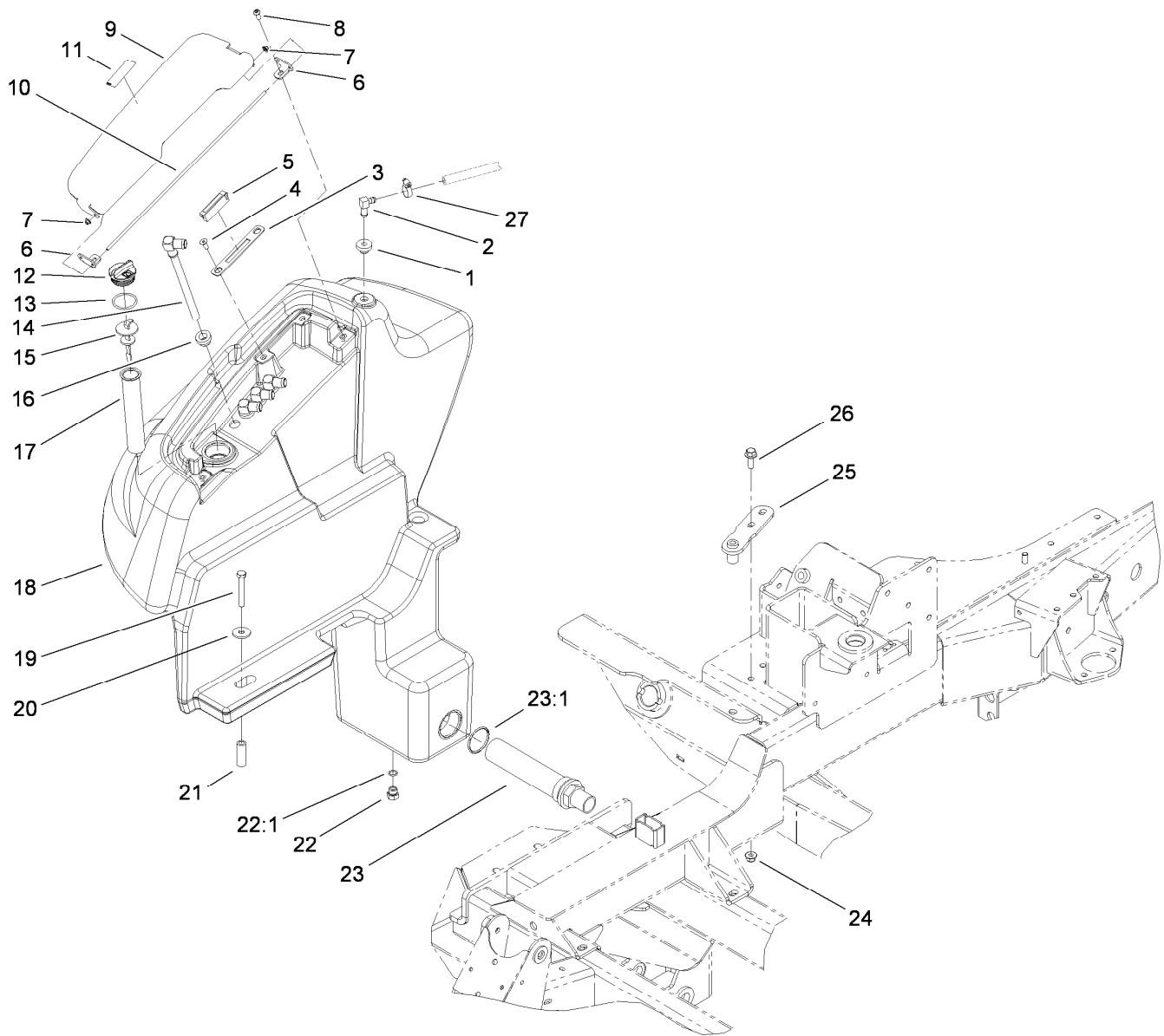
Steer/Fan Manifold Assembly

Ref.	Part Number	Qty.	Description	Ref.	Part Number	Qty.	Description
1	110-6065	1	Manifold-Steer / Fan	5	340-86	1	Fitting-Tee
2	340-98	1	Fitting-Elbow, 90 DEG	5:1	237-22	2	O-Ring
2:1	237-79	1	O-Ring	5:2	237-42	1	O-Ring
2:2	237-30	1	O-Ring	6	354-77	1	Fitting-Quick
3	340-2	2	Fitting-Straight	6:1	237-78	1	O-Ring
3:1	237-22	1	O-Ring	7	354-79	1	Cap-Dust
3:2	237-42	1	O-Ring	8	340-7	2	Fitting-Straight
4	340-4	1	Fitting-Straight	8:1	237-65	1	O-Ring
4:1	237-30	1	O-Ring	8:2	237-80	1	O-Ring
4:2	237-79	1	O-Ring				



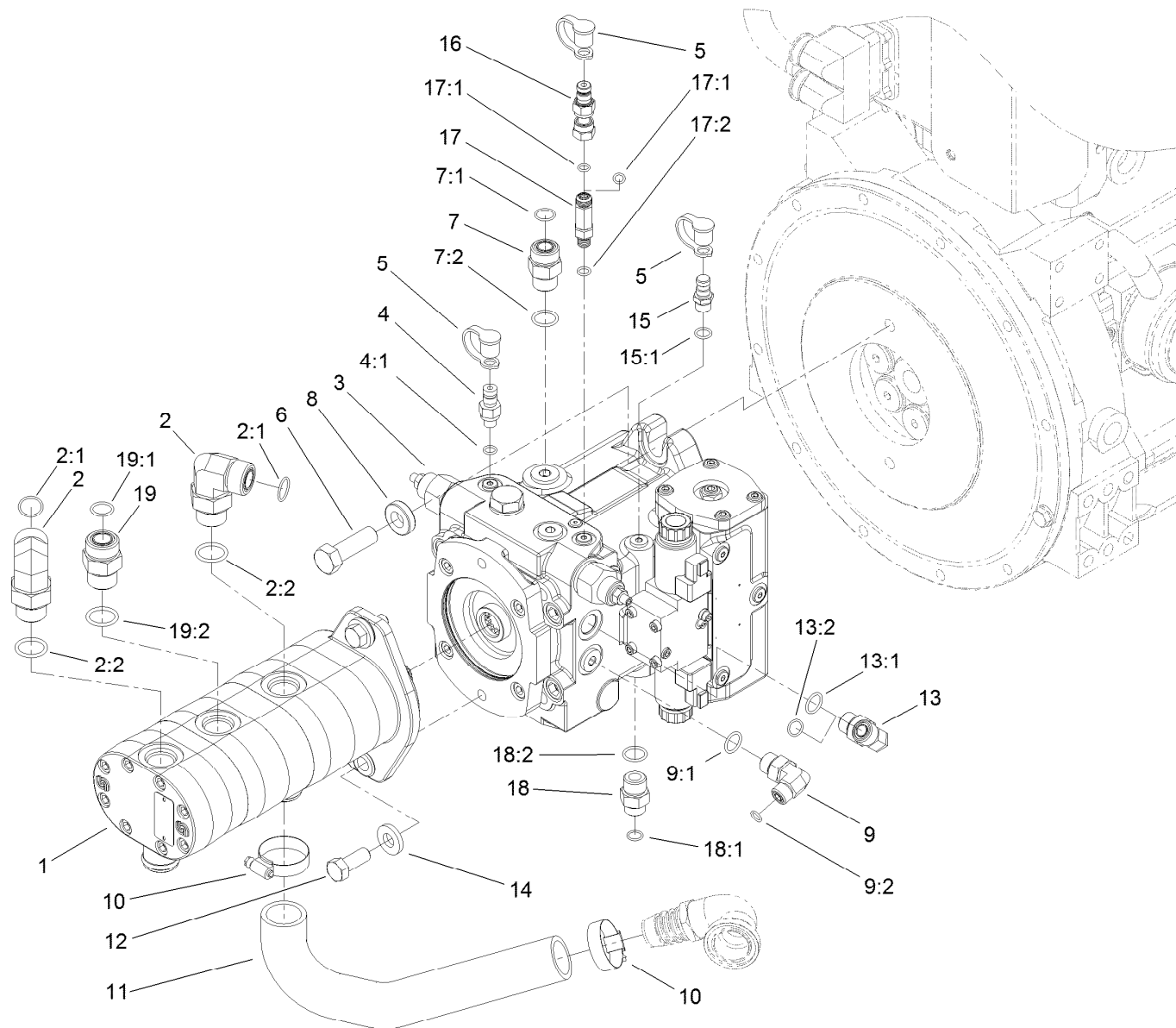
Hydraulic Manifold Assembly No. 110-6065

<i>Ref.</i>	<i>Part Number</i>	<i>Qty.</i>	<i>Description</i>	<i>Ref.</i>	<i>Part Number</i>	<i>Qty.</i>	<i>Description</i>
1	106-1026	1	Plug-HYD	6	353-990	2	Plug ASM
1:1	237-42	1	O-Ring	6:1	237-78	1	O-Ring
2	115-5409	1	Compensator ASM	7	105-9321	1	Check Valve ASM
2:1	110-8908	1	Spool Valve Seal Kit	7:1	105-9156	1	Seal Kit
3	114-5514	1	Valve-Relief, 2000 PSI	8	114-5084	1	Coil-Solenoid
3:1	105-9156	1	Seal Kit	9	115-5410	1	Valve-Solenoid
4	110-2630	1	Coil-12Vdc	9:1	110-6111	1	Seal Kit
5	115-3022	1	Relief-Proportional	9:2	114-5085	1	Nut-E Coil
5:1	110-6316	1	Seal Kit	10	106-1027	1	Plug-HYD
5:2	119-7715	1	Nut-Coil	10:1	237-79	1	O-Ring



Hydraulic Tank Assembly

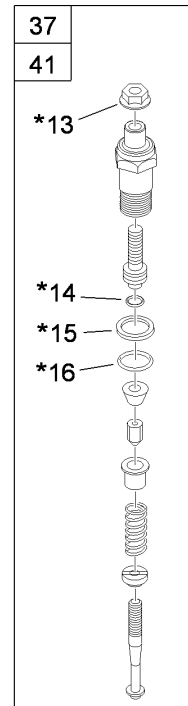
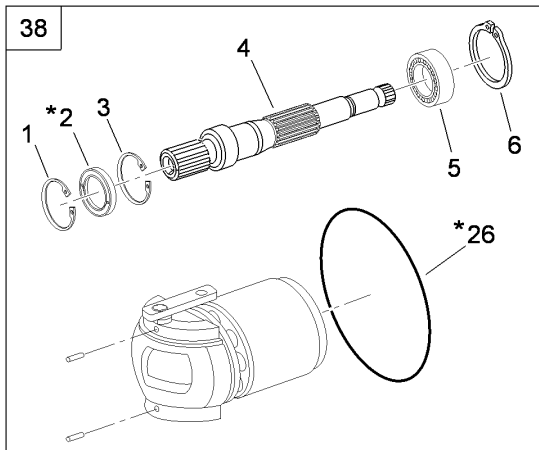
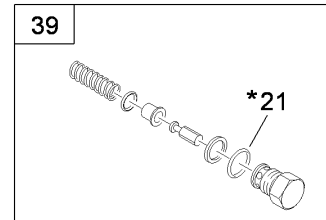
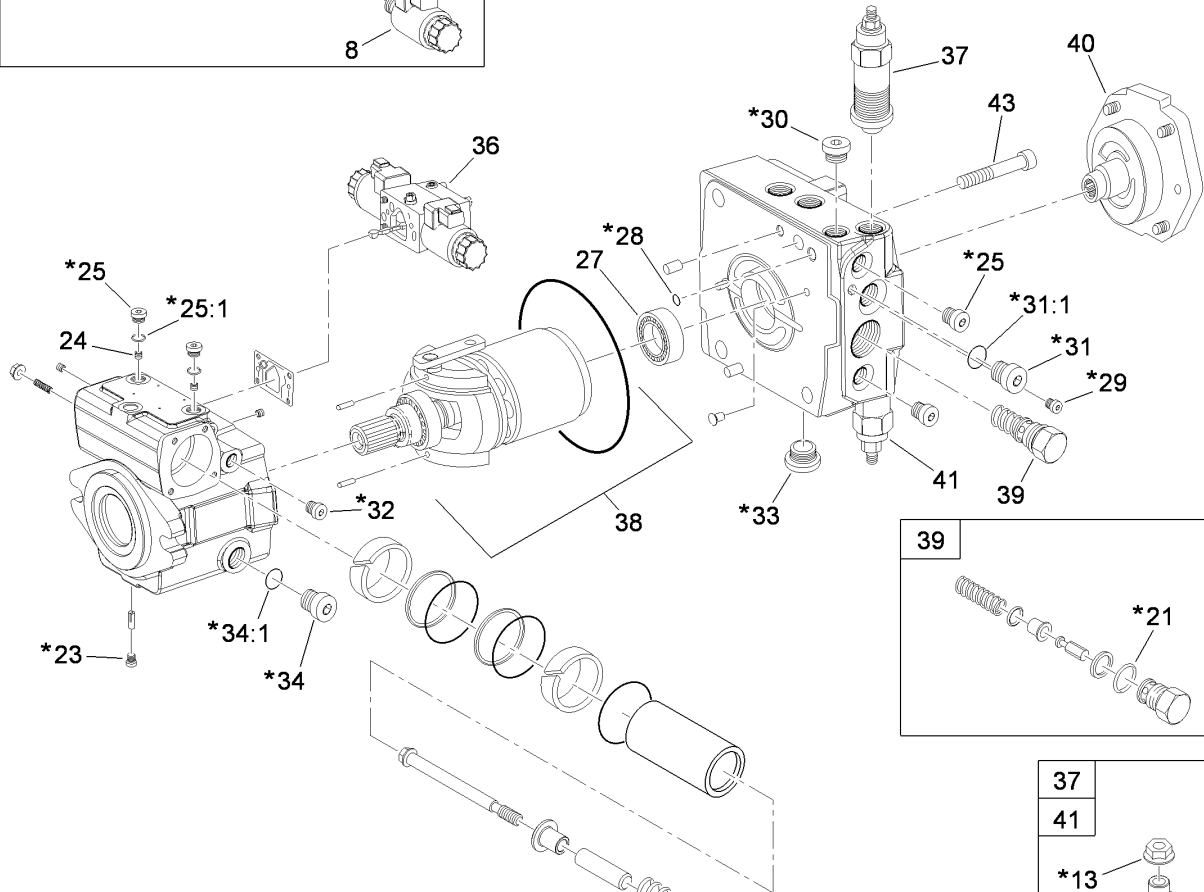
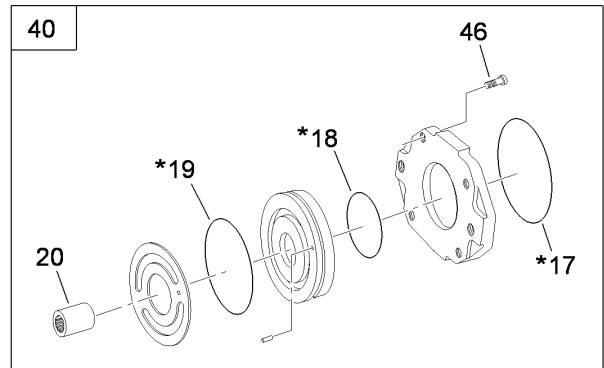
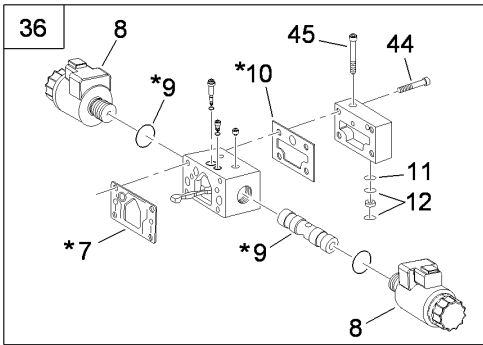
<i>Ref.</i>	<i>Part Number</i>	<i>Qty.</i>	<i>Description</i>	<i>Ref.</i>	<i>Part Number</i>	<i>Qty.</i>	<i>Description</i>
1	46-6560	1	Bushing	16	104-0790	4	Bushing
2	46-6550	1	Fitting-Elbow, 90 DEG	17	92-1705	1	Filter-Screen
3	114-0941	1	Plate-Latch	18	119-7726	1	Hydraulic Tank ASM
4	3274-47	2	Screw-HSFH	19	323-12	1	Screw-HH
5	58-4250	1	Catch-Magnetic	20	63-8410	1	Washer
6	114-0940	2	Bracket-Hinge	21	95-6448	1	Spacer
7	108-3629	2	Nut-Push	22	353-508	1	Plug-HH
8	3274-31	2	Screw-HSBH	22:1	237-42	1	O-Ring
9	114-0939-03	1	Cover-Tank, HYD	23	105-0131	1	Strainer-Tank, Oil
10	114-0904	1	Rod	23:1	340-136	1	O-Ring
11	93-6686	1	Decal-Oil, HYD	24	104-8301	2	Nut-HF, NI
12	93-7498	1	Plug-Plastic	25	114-0094	1	Hold Down-Tank
13	94-8166	1	O-Ring	26	3234-42	2	Screw-HHF
14	114-0002	4	Pipe-Stand	27	2412-108	1	Clamp-Worm
15	105-2812	1	Dipstick				



Pump Assembly

Ref.	Part Number	Qty.	Description	Ref.	Part Number	Qty.	Description
1	114-4840	1	Triple Gear Pump ASM	12	325-5	2	Screw-HH
2	340-142	2	Fitting-Elbow-90	13	340-98	1	Fitting-Elbow, 90 DEG
2:1	237-58	1	O-Ring	13:1	237-79	1	O-Ring
2:2	237-81	1	O-Ring	13:2	237-30	1	O-Ring
3	110-5989	1	Pump-Piston	14	107-3395	2	Washer-Hardened
4	354-77	1	Fitting-Quick	15	59-7410	1	Fitting-Diagnostic
4:1	237-78	1	O-Ring	15:1	237-42	1	O-Ring
5	354-79	3	Cap-Dust	16	115-8886	1	Nipple-Test
6	327-6	2	Screw-HH	17	340-140	1	Fitting-Tee
7	340-7	1	Fitting-Straight	17:1	237-21	2	O-Ring
7:1	237-65	1	O-Ring	17:2	237-78	1	O-Ring
7:2	237-80	1	O-Ring	18	340-6	1	Fitting-Straight
8	114-0032	2	Washer-Plain	18:1	237-30	1	O-Ring
9	340-18	1	Fitting-HYD, 90 DEG	18:2	237-80	1	O-Ring
9:1	237-79	1	O-Ring	19	340-9	1	Fitting-STR
9:2	237-22	1	O-Ring	19:1	237-58	1	O-Ring
10	2412-111	2	Clamp	19:2	237-81	1	O-Ring
11	114-5506	1	Hose-Formed				

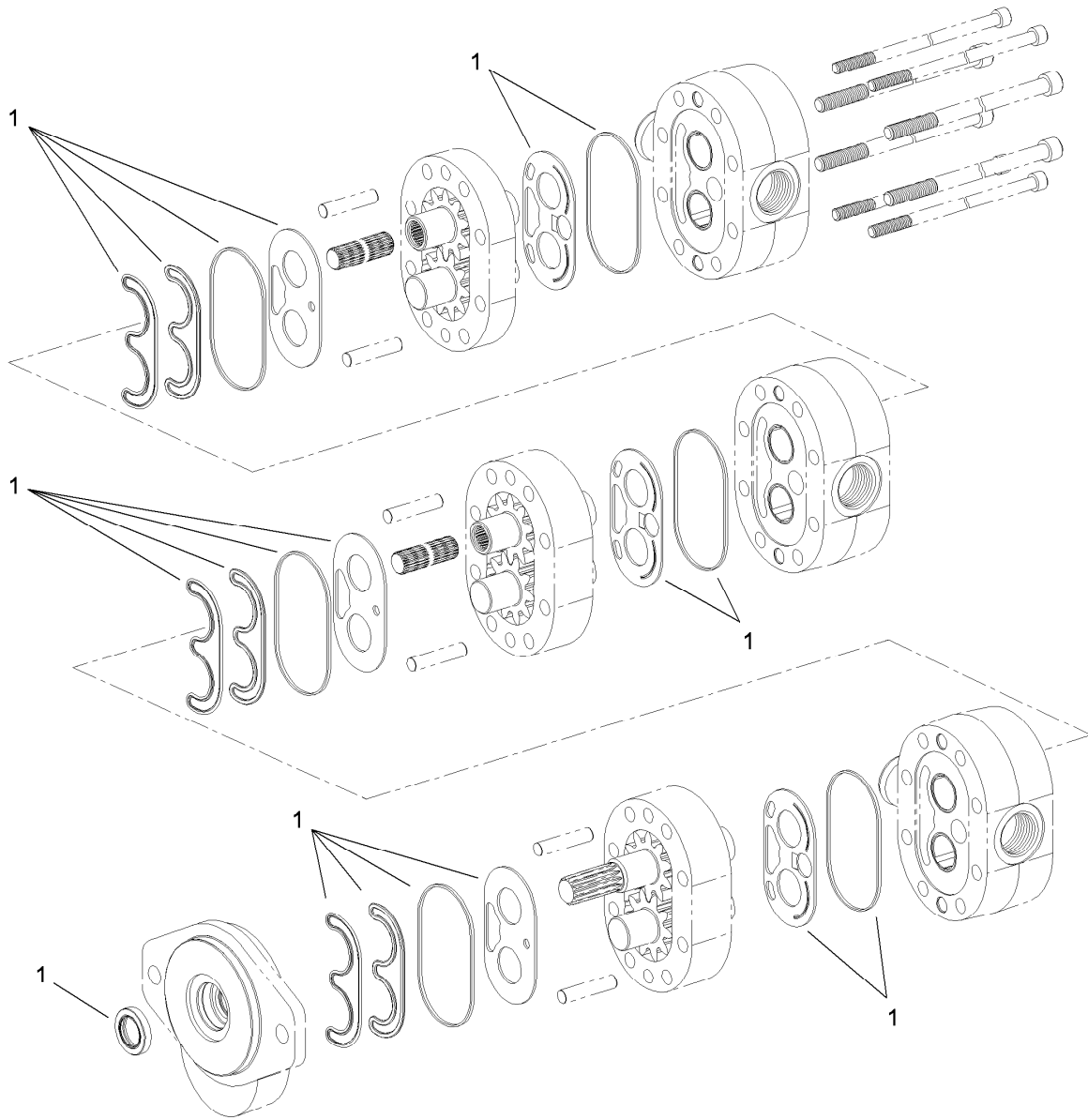
Piston Pump Assembly No. 110-5989



* = Parts are included with master seal kit item 42
 Parts not called out are not serviced separately

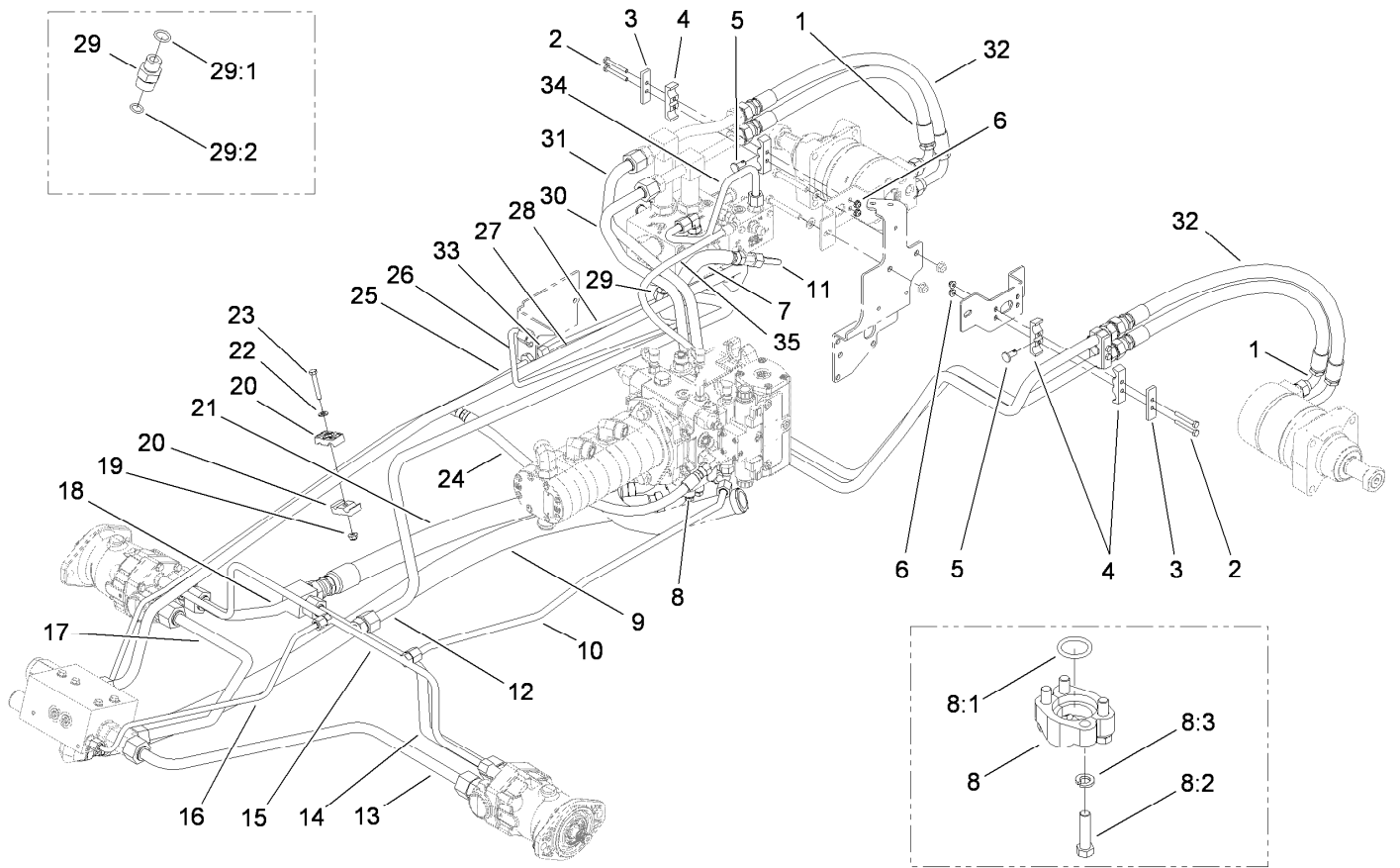
Piston Pump Assembly No. 110-5989 (continued)

<i>Ref.</i>	<i>Part Number</i>	<i>Qty.</i>	<i>Description</i>	<i>Ref.</i>	<i>Part Number</i>	<i>Qty.</i>	<i>Description</i>
1	117-1115	1	Ring-Snap	26	117-1144	1	O-Ring
2	117-1118	1	Seal-Shaft	27	117-1143	1	Bearing-Roller
3	117-1116	1	Ring-Snap	28	117-1120	3	O-Ring
4	117-2751	1	Shaft-Drive	29	117-1139	1	Plug
5	117-1117	1	Bearing-Roller	30	117-2752	1	Plug
6	117-1119	1	Ring-Retaining	31	354-74	2	Plug-HH
7	117-1125	1	Gasket	31:1	237-81	1	O-Ring
8	117-1126	2	Solenoid-Proportional	32	117-2753	1	Plug
9	117-1130	2	O-Ring	33	117-1142	1	Screw-Locking
10	117-1127	1	Gasket	34	353-551	1	Plug-HH
11	117-1128	1	Disc-Protection, Control Line	34:1	237-80	1	O-Ring
12	117-1129	2	O-Ring	35	117-1121	1	O-Ring
13	117-1131	2	Nut-Lock	36	117-1123	1	Ep Control ASM
14	117-1132	2	O-Ring	37	117-1145	1	Preset-HP Relief Valve, 296 Bar
15	117-1133	2	Ring-Back-Up	38	117-1146	1	Rotary Group
16	117-1134	2	O-Ring	39	117-1147	1	Charge Relief
17	117-1135	1	O-Ring	40	117-1148	1	Pump Support Plate ASM
18	117-1136	1	O-Ring	41	117-1149	1	Preset-HP Relief Valve, 365 Bar
19	117-1137	1	O-Ring	42	117-2750	1	Seal Kit
20	117-1138	1	Coupling-Drive, Through	43	117-2755	4	Screw
21	117-1140	1	O-Ring	44	117-2756	4	Screw-HSH
23	117-1122	1	Plug	45	117-2757	1	Screw-HSH
24	117-1124	2	Orifice	46	117-2758	4	Screw-HSH
25	353-990	5	Plug ASM	47	117-2759	4	Screw-HSH
25:1	237-78	1	O-Ring				



Triple Pump Assembly No. 114-4840

<i>Ref.</i>	<i>Part Number</i>	<i>Qty.</i>	<i>Description</i>
1	117-1109	1	Seal Kit

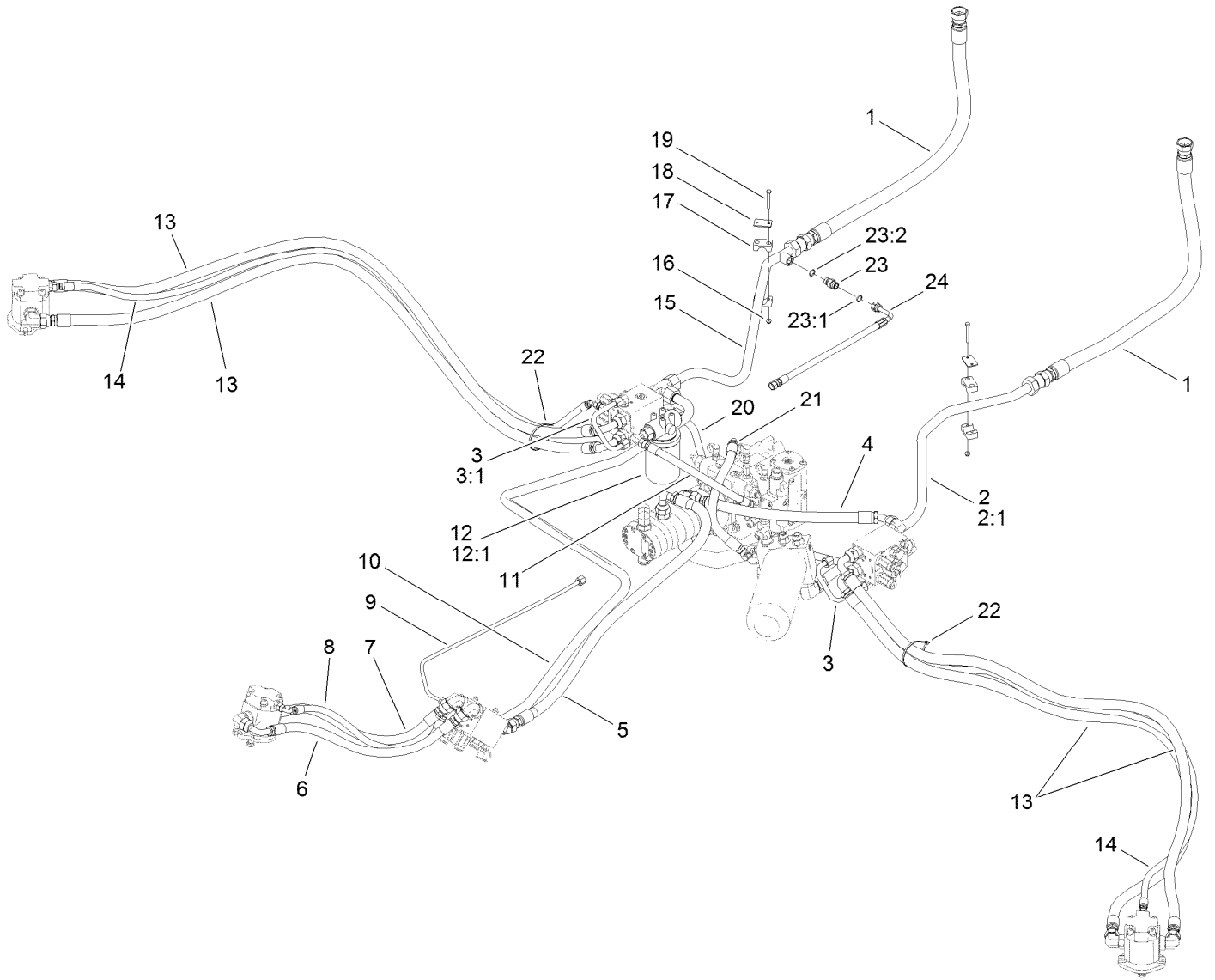


Traction Hydraulic Plumbing Assembly

Ref.	Part Number	Qty.	Description
1	120-9878	2	Hose-Hydraulic, HP
2	321-11	6	Screw-HH
3	114-0989	3	Plate-Cover
4	99-3641	6	Clamp-Tube
5	98-5055	3	Pin-Weld
6	104-7201	8	Nut-HF
7	94-4714	1	Hose-Hydraulic
8	114-0089	2	Flange Kit (Code 62)
8:1	115-5419	1	O-Ring
8:2	323-43	4	Screw-HH
8:3	3253-21	4	Washer-Lock
9	110-6058	1	HYD Hose ASM
10	114-4843	1	Tube-Hydraulic
11	117-5460	1	Tube-Hydraulic
12	114-4819	1	Tube-Hydraulic
13	114-4844	1	Tube-Hydraulic
14	114-4847	1	Tube-Hydraulic
14:1	237-58	1	O-Ring ●
15	114-4842	1	Tube-Hydraulic
15:1	237-22	1	O-Ring ●
15:2	237-30	1	O-Ring ●
16	114-4834	1	Tube-Hydraulic
17	114-4845	1	Tube-Hydraulic
18	114-4846	1	Tube-Hydraulic

Ref.	Part Number	Qty.	Description
18:1	340-65	1	O-Ring ●
18:2	237-58	1	O-Ring ●
19	104-8300	1	Nut-HF, NI
20	56-7978	2	Clamp-Tube
21	110-6057	1	HYD Hose ASM
22	3256-23	1	Washer-Plain
23	322-10	1	Screw-HH
24	86-3130	1	HYD Hose ASM
25	114-4835	1	HYD Tube ASM
25:1	237-22	2	O-Ring ●
26	114-4918	1	Tube-Hydraulic
27	114-4836	1	HYD Tube ASM
28	114-4905	1	Tube-Hydraulic
29	92-9258	1	Adapter-Check
29:1	237-22	1	O-Ring
29:2	237-42	1	O-Ring
30	114-0025	1	Tube-Hydraulic
30:1	237-58	1	O-Ring ●
31	114-0026	1	Tube-Hydraulic
31:1	237-58	1	O-Ring ●
32	120-9879	2	Hose-Hydraulic, HP
33	340-70	1	Nut-Lock
34	115-8875	1	Tube-Hydraulic
35	115-8878	1	Hose ASM

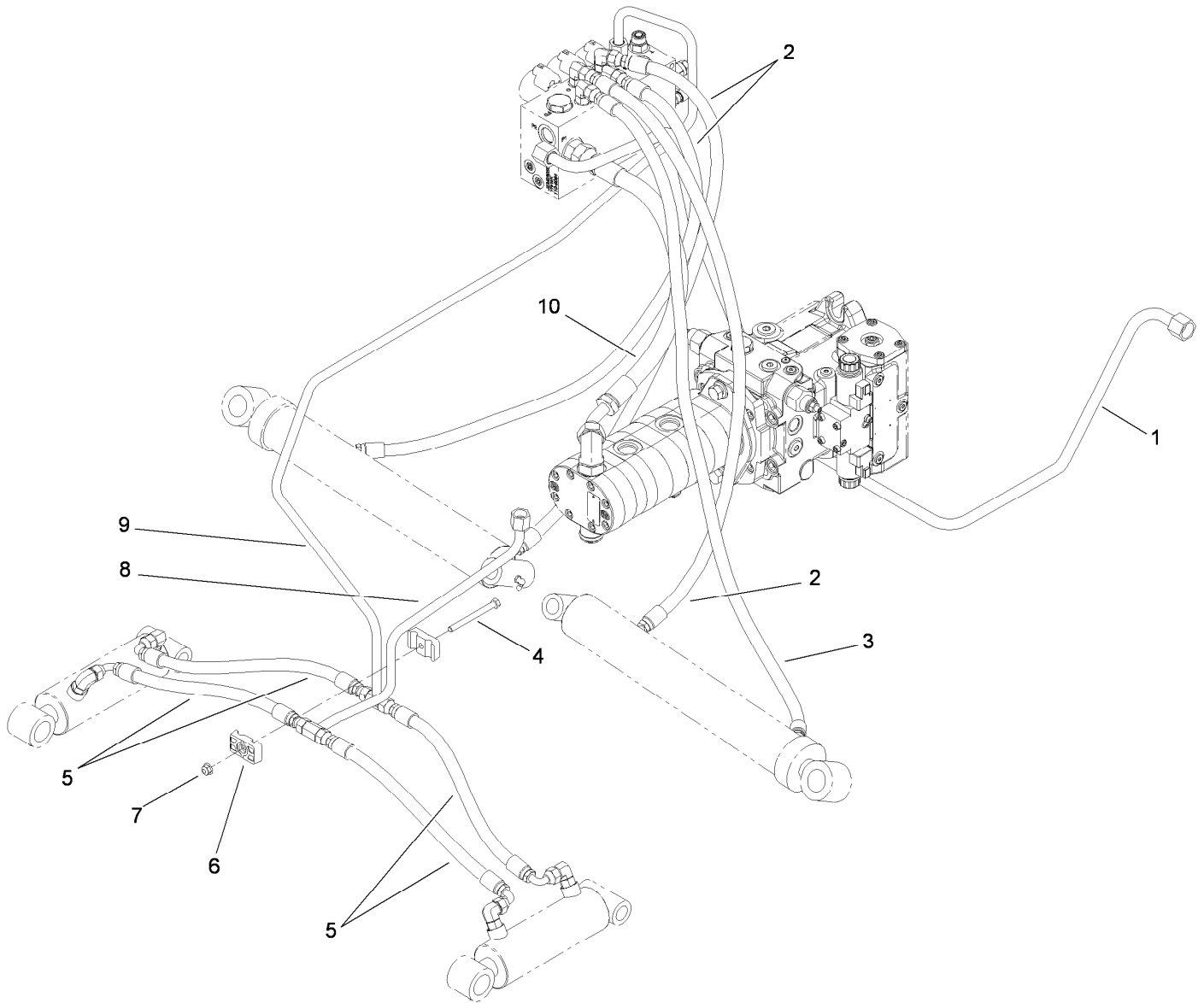
● Not illustrated



Power-Take-Off Hydraulic Plumbing Assembly

Ref.	Part Number	Qty.	Description	Ref.	Part Number	Qty.	Description
1	114-4904	2	Hose-Hydraulic, HP	13	114-0985	4	Hose-Hydraulic
2	114-0016	1	Tube-Hydraulic	14	114-0945	2	Hose-Hydraulic
2:1	340-65	1	O-Ring ●	15	119-7725	1	Tube-Hydraulic
3	114-0173	2	Tube-Hydraulic	16	104-7201	4	Nut-HF
3:1	237-22	1	O-Ring ●	17	114-4901	2	Clamp
4	115-8869	1	Hose-Hydraulic	18	114-4902	2	Plate-Cover
5	120-9865	1	Hose-Hydraulic	19	321-18	4	Screw-HH
6	115-5518	1	Hose-Hydraulic, HP	20	110-6067	1	Tube-Hydraulic
7	115-5517	1	Hose-Hydraulic, HP	21	99-4217	1	Hose-Hydraulic
8	114-5500	1	Hose-Hydraulic	22	3290-379	2	Tie-Cable
9	114-4820	1	Tube-Hydraulic	23	98-4735	1	Valve-Check, HYD
10	114-4839	1	Tube-Hydraulic	23:1	237-30	1	O-Ring
11	114-5501	1	Hose-Hydraulic	23:2	237-79	1	O-Ring
12	93-2242	1	Filter-Oil	24	120-9864	1	Hose-Hydraulic
12:1	75-1310	1	Filter-HYD				

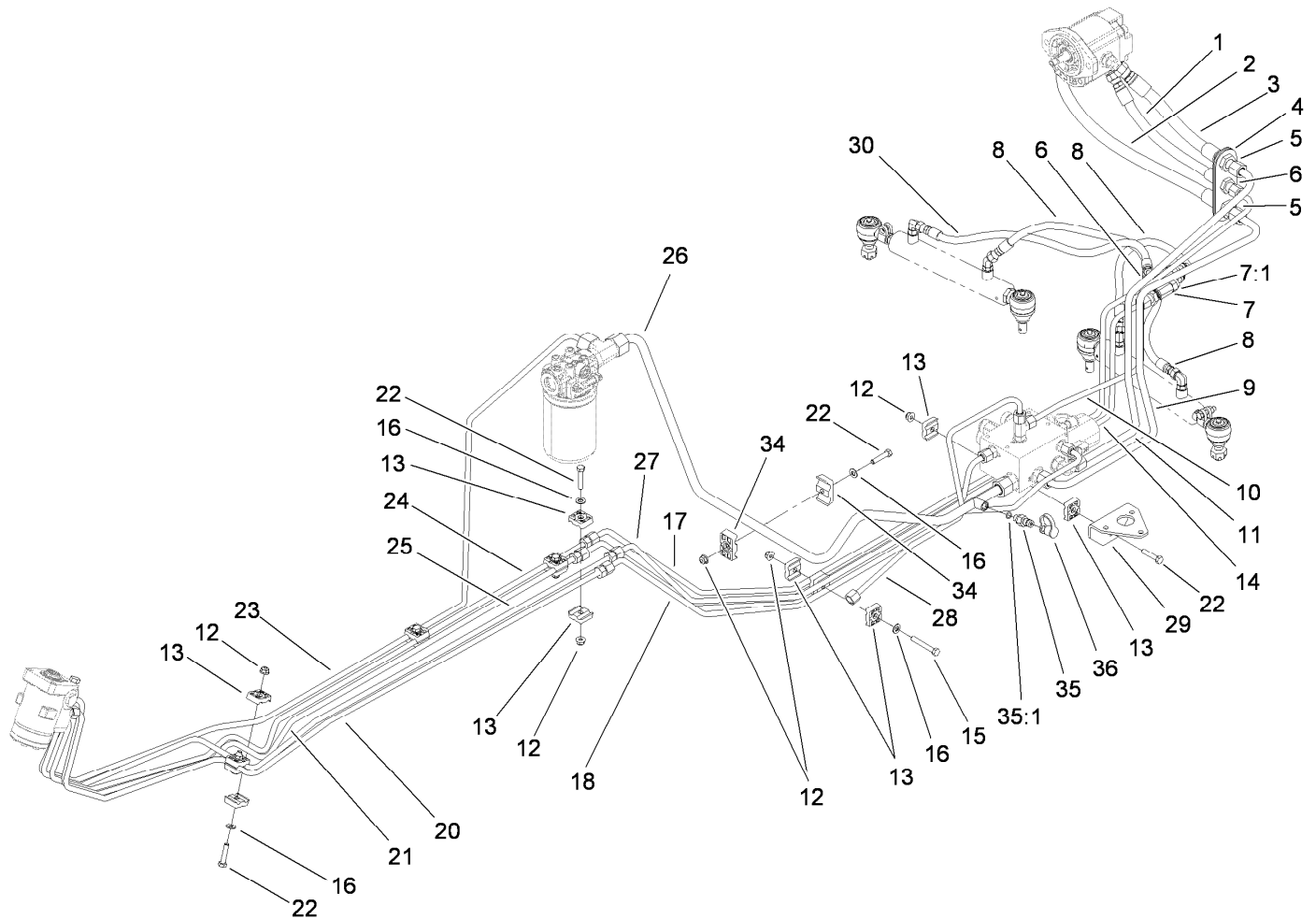
● Not illustrated



Lift Arms Hydraulic Plumbing Assembly

Ref.	Part Number	Qty.	Description
1	115-5430	1	HYD Tube ASM
2	114-4817	3	Hose-Hydraulic, HP
3	114-4818	1	Hose-Hydraulic, HP
4	322-22	1	Screw-HH
5	92-5694	4	Hose-Hydraulic
6	56-7976	2	Clamp-Tube
7	104-8300	1	Nut-HF, NI
8	114-4824	1	Tube-Hydraulic
8:1	237-22	2	O-Ring ●
9	117-9408	1	Tube-Hydraulic
9:1	237-22	2	O-Ring ●
10	117-9411	1	Hose-Hydraulic, HP

● Not illustrated



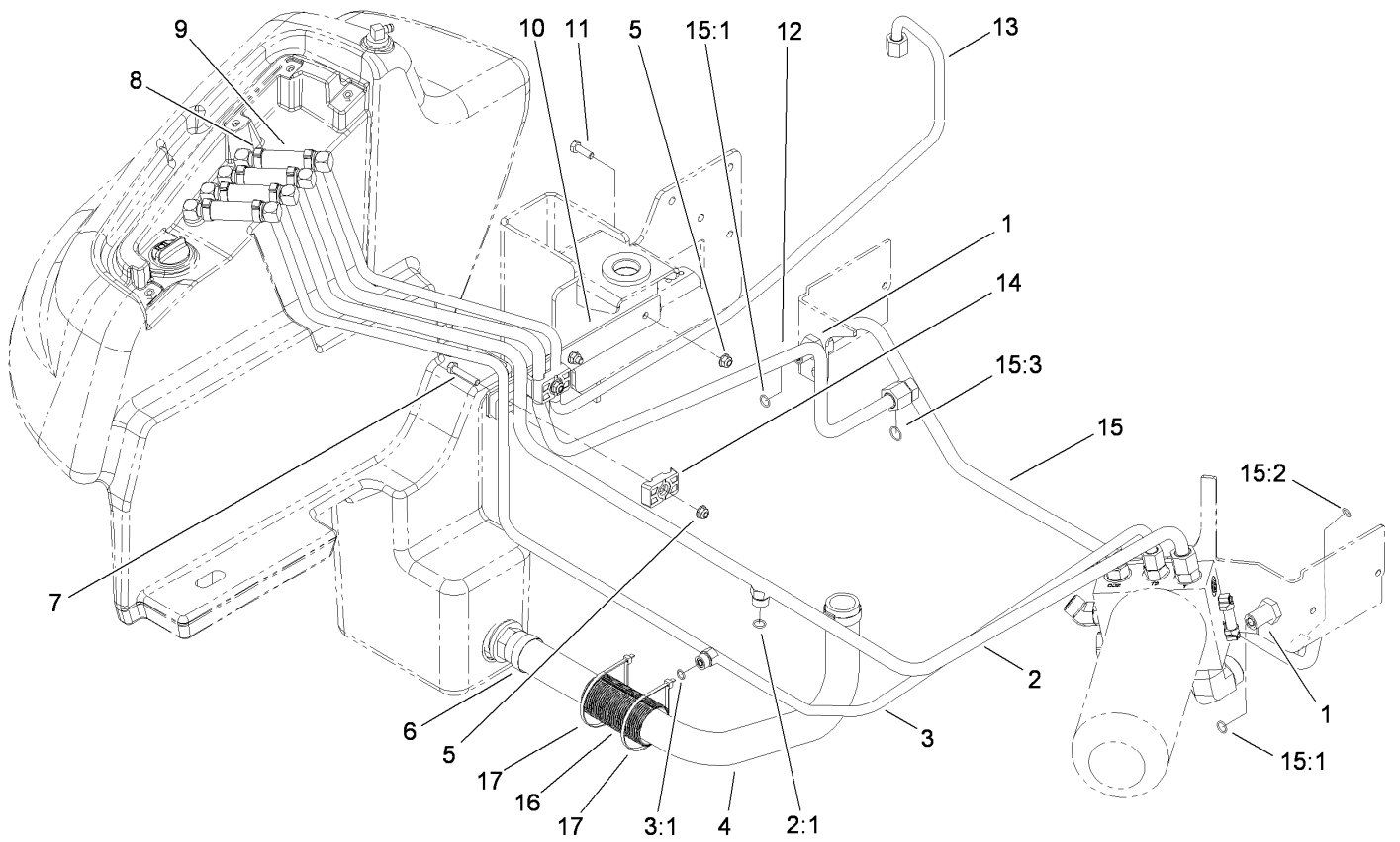
Steering Hydraulic Plumbing Assembly

Ref.	Part Number	Qty.	Description
1	114-4924	1	HYD Hose ASM
1:2		1	Fitting-Straight ●■
1:2:1	237-22	1	O-Ring ●
2	114-4925	1	HYD Hose ASM
2:2		1	Fitting-Straight ●■
2:2:1	237-30	1	O-Ring ●
3	114-4923	1	HYD Hose ASM
3:2		1	Fitting-Straight ●■
3:2:1	237-30	1	O-Ring ●
4	114-0063	2	Shim-Support
5	340-127	2	Nut-Bulkhead
6	340-70	3	Nut-Lock
7	340-68	2	Fitting-Tee, Bulkhead
7:1	237-22	3	O-Ring
8	114-4922	3	HYD Hose ASM
9	114-0910	1	HYD Tube ASM
10	114-0911	1	HYD Tube ASM
11	114-0909	1	HYD Tube ASM
12	104-8300	8	Nut-HF, NI
13	56-7973	16	Clamp-Tube
14	114-4915	1	HYD Tube ASM
15	322-10	1	Screw-HH

Ref.	Part Number	Qty.	Description
16	3256-23	7	Washer-Plain
17	114-4909	1	HYD Tube ASM
18	115-5435	1	HYD Tube ASM
20	114-0145	1	HYD Tube ASM
20:1	237-22	1	O-Ring ●
21	114-0071	1	HYD Tube ASM
21:1	237-22	1	O-Ring ●
22	322-8	7	Screw-HH
23	114-0144	1	HYD Tube ASM
23:1	237-22	1	O-Ring ●
24	114-0070	1	HYD Tube ASM
24:1	237-22	1	O-Ring ●
25	114-0147	1	HYD Tube ASM
26	115-5431	1	HYD Tube ASM
27	114-4916	1	HYD Tube ASM
28	114-0138	1	HYD Tube ASM
29	114-0066-03	1	Plate-Mount, Tube
30	114-4934	1	HYD Hose ASM
34	56-7971	2	Clamp-Tube
35	354-77	1	Fitting-Quick
35:1	237-78	1	O-Ring
36	354-79	1	Cap-Dust

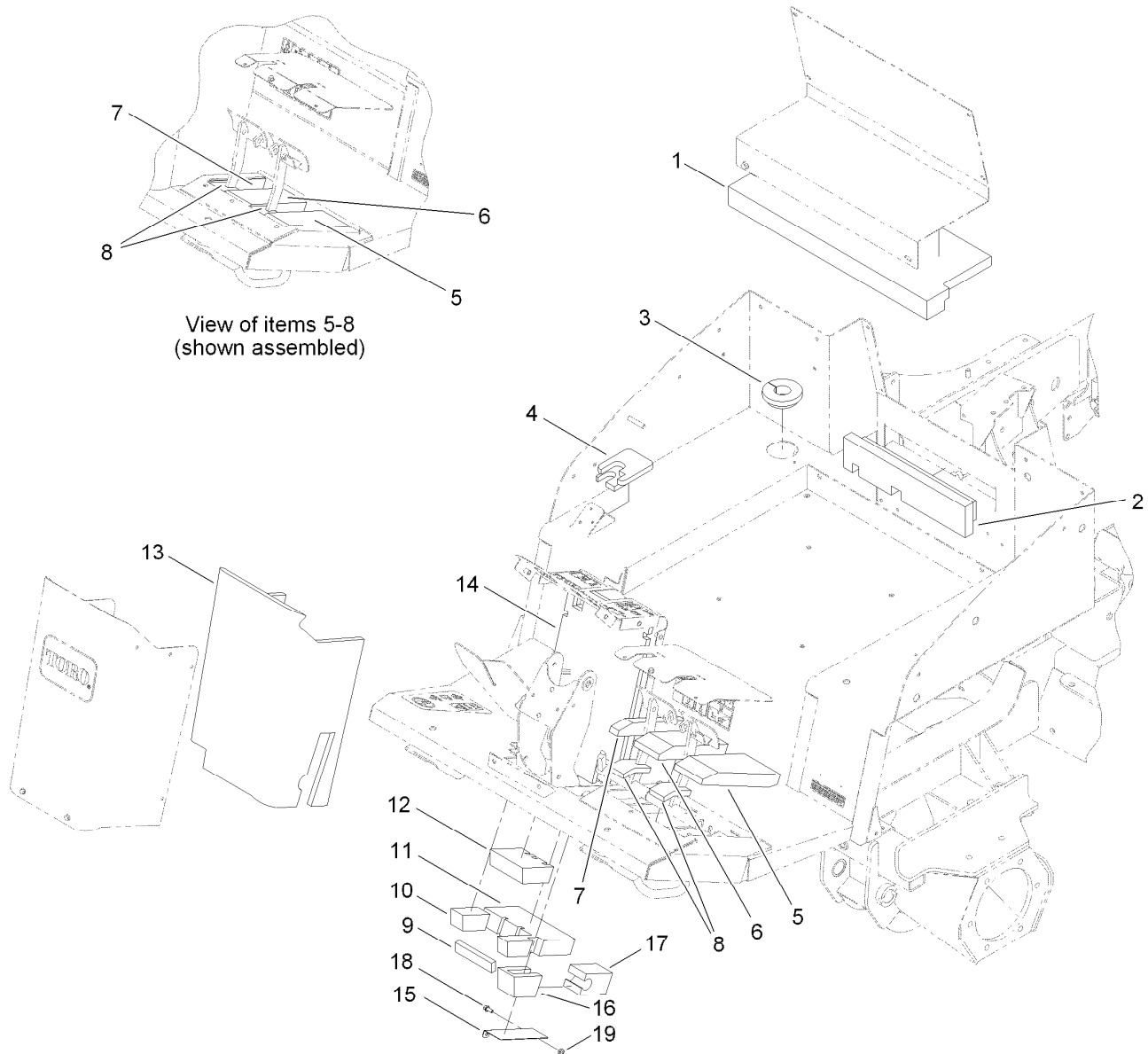
● Not illustrated

■ Not serviced separately



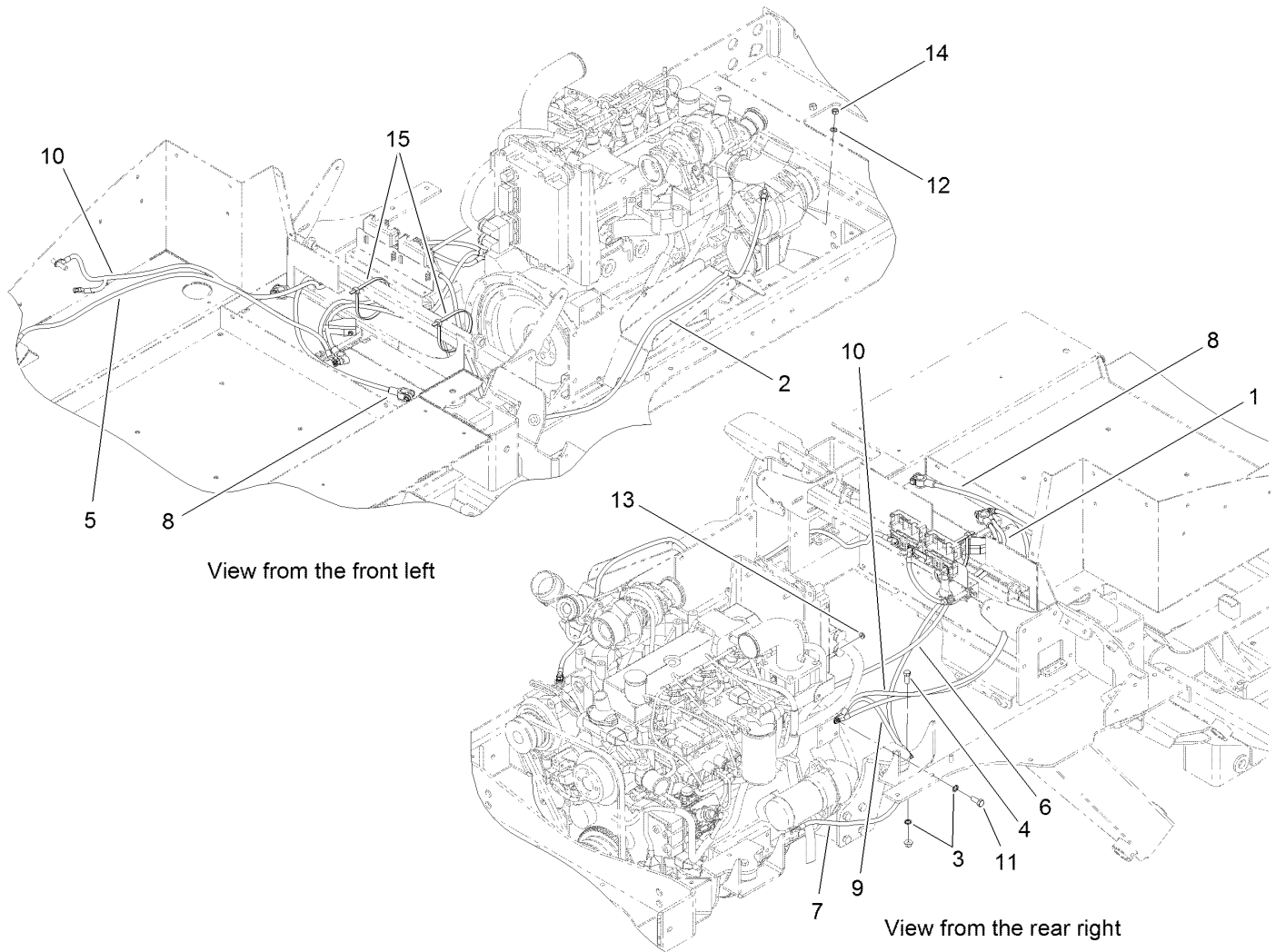
Hydraulic Tank Plumbing Assembly

<i>Ref.</i>	<i>Part Number</i>	<i>Qty.</i>	<i>Description</i>	<i>Ref.</i>	<i>Part Number</i>	<i>Qty.</i>	<i>Description</i>
1	340-127	2	Nut-Bulkhead	10	114-4919-03	1	Plate-Mount, Tube
2	114-4821	1	Tube-Hydraulic	11	322-5	2	Screw-HH
2:1	237-30	1	O-Ring	12	114-0172	1	Tube-Hydraulic
3	114-4822	1	Tube-Hydraulic	13	117-9409	1	Tube-Hydraulic
3:1	237-22	1	O-Ring	14	56-7977	4	Clamp-Tube
4	114-5507	1	Hose-Formed	15	114-0176	1	HYD Tube ASM
5	104-8300	4	Nut-HF, NI	15:1	237-30	2	O-Ring
6	2412-111	2	Clamp	15:2	237-22	1	O-Ring
7	322-8	2	Screw-HH	15:3	237-65	1	O-Ring
8	2412-36	8	Clamp-Hose	16	115-5523	1	Guard-Hose
9	114-4920	4	Hose	17	3290-379	2	Tie-Cable



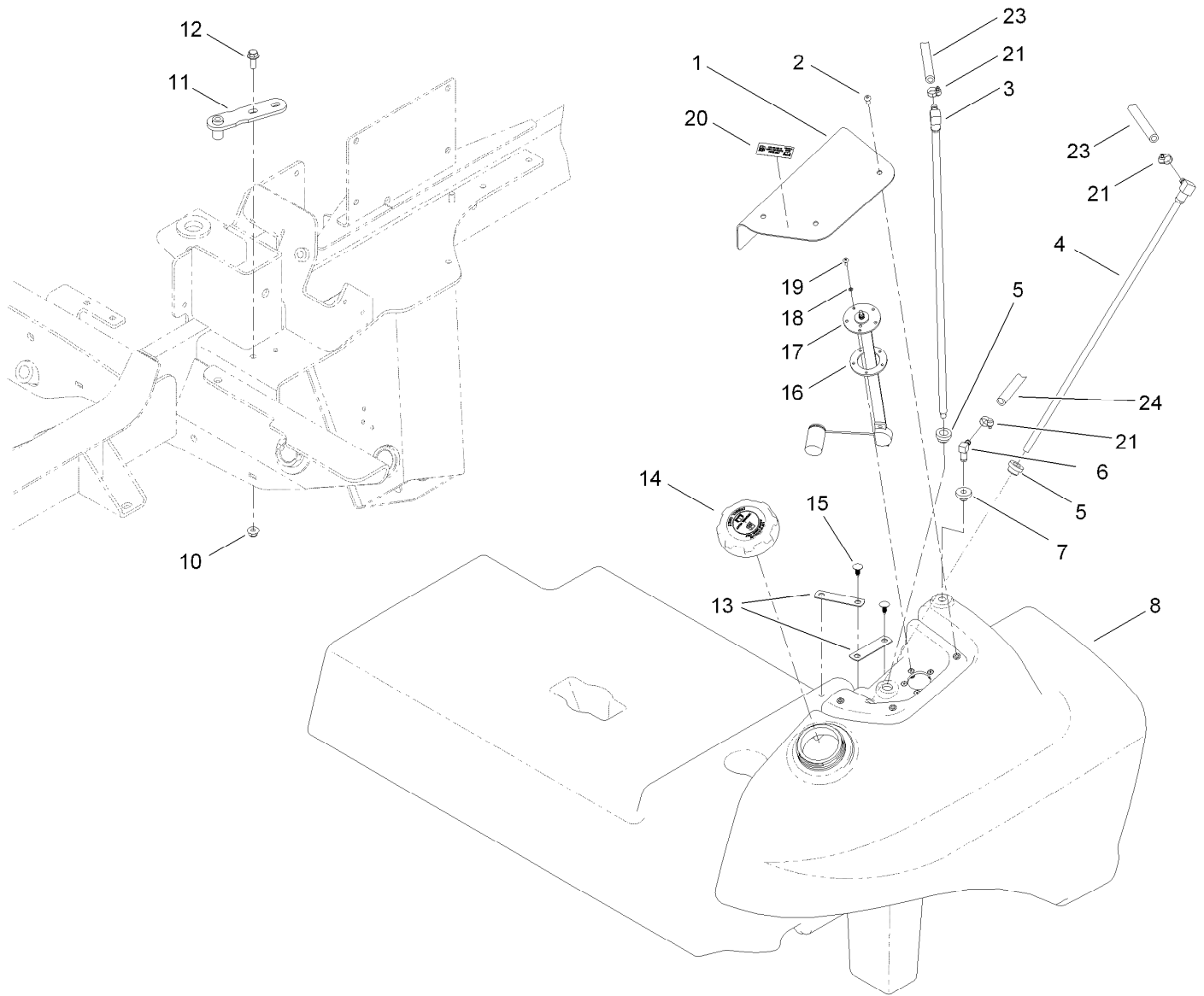
Acoustic Foam Assembly

<i>Ref.</i>	<i>Part Number</i>	<i>Qty.</i>	<i>Description</i>	<i>Ref.</i>	<i>Part Number</i>	<i>Qty.</i>	<i>Description</i>
1	115-8800	1	Foam-Battery, Cover	11	115-8810	1	Foam-Steering, Rear
2	115-8801	1	Foam-Battery, Plug	12	115-8811	1	Foam-Steering, Front
3	115-8802	1	Foam-Plug, Round	13	115-8812	1	Foam-Column, Front
4	115-8803	1	Foam-Plug, Rectangular	14	115-8813	1	Foam-Column, Rear
5	115-8804	1	Foam-Brake, LH	15	115-8841-01	1	Bracket-Foam, Pawl
6	115-8805	1	Foam-Brake, Center	16	115-8814	1	Foam-Pawl, Brake
7	115-8806	1	Foam-Brake, RH	17	115-8815	1	Foam-Plug, Brake
8	115-8807	2	Foam-Plug, Brake	18	3234-33	2	Screw-HHF
9	115-8808	1	Foam-Strip, Front	19	104-7201	2	Nut-HF
10	115-8809	1	Foam-Plug, RH				



Battery Cable Routing and Assembly

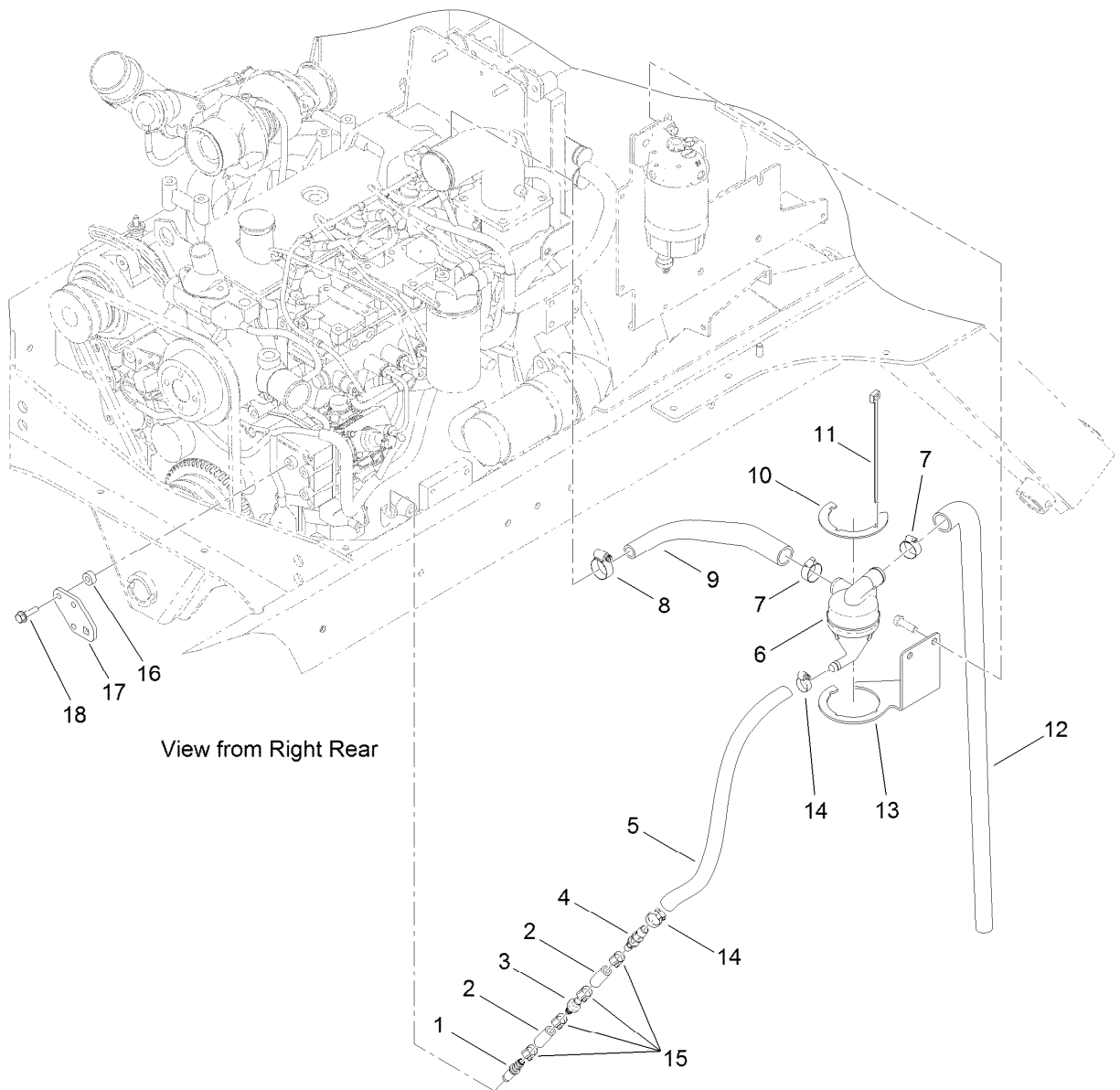
<i>Ref.</i>	<i>Part Number</i>	<i>Qty.</i>	<i>Description</i>
1	114-3304	1	Cable-Battery, Positive
2	114-3305	1	Cable-Battery, Positive
3	3254-6	2	Washer-Lock, Internal
4	323-6	1	Screw-HH
5	114-3308	1	Cable-Battery, Positive
6	114-3309	1	Cable-Battery, Positive
7	114-3310	1	Cable-Battery, Positive
8	114-3311	1	Cable-Battery, Negative
9	114-3312	1	Cable-Battery, Negative
10	114-3313	1	Cable-Battery, Negative
11	33115-025	1	Screw-HH
12	3255-8	1	Washer-Lock
13	98-5845	1	Nut-Hex
14	33014-00	1	Nut-Hex
15	3334-945	2	Tie-Cable



Fuel Tank Assembly

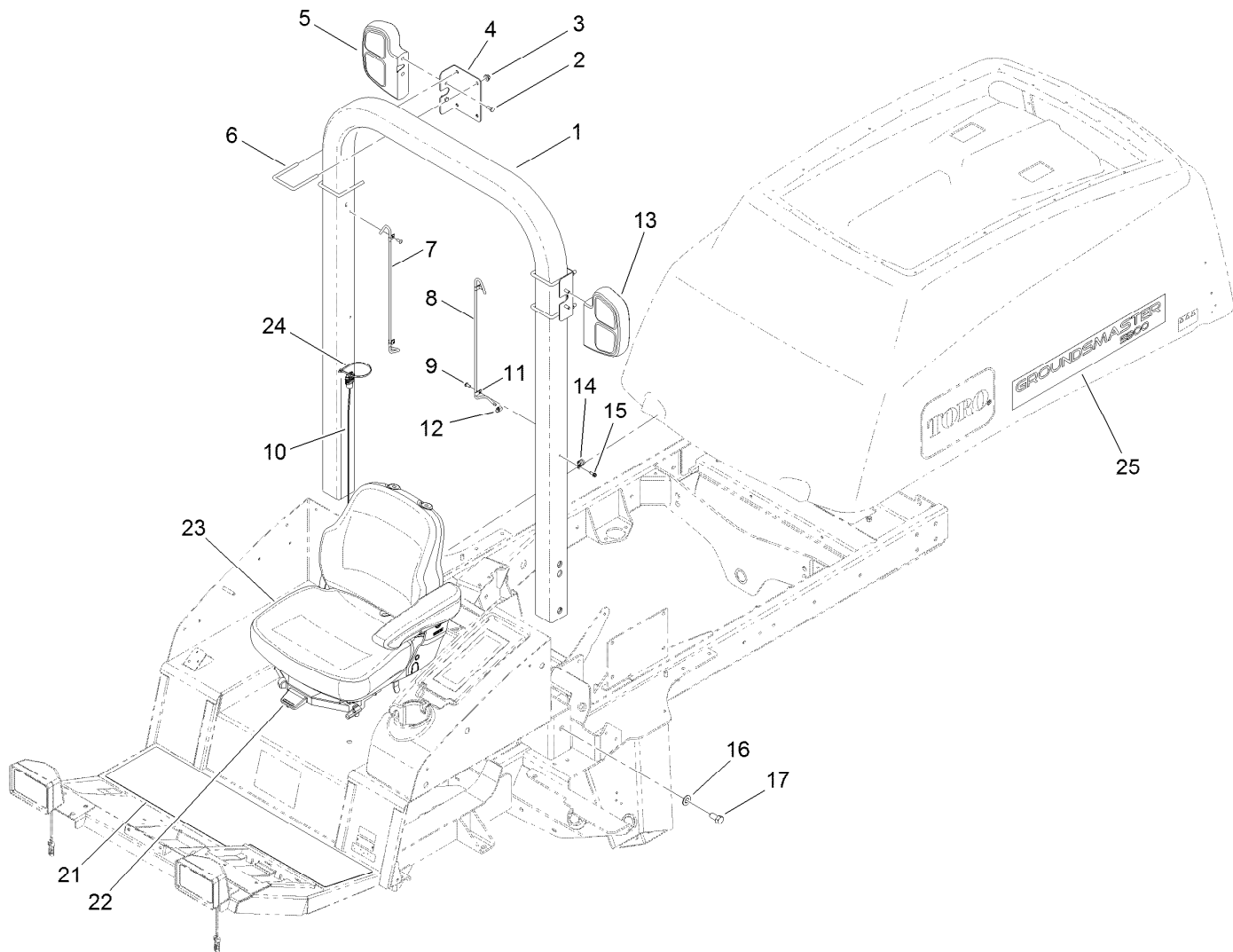
<i>Ref.</i>	<i>Part Number</i>	<i>Qty.</i>	<i>Description</i>	<i>Ref.</i>	<i>Part Number</i>	<i>Qty.</i>	<i>Description</i>
1	114-4939-03	1	Cover-Fitting, Fuel	13	94-6821	2	Clamp-Wire
2	3274-31	3	Screw-HSBH	14	119-8266	1	Cap-Fuel (Biodiesel)
3	119-7748	1	Pipe-Stand, Fuel	15	117-2382	4	Plug-Plastic
4	114-0943	1	Pipe-Stand, Return	16	62-7650	1	Gasket
5	104-0790	2	Bushing	17	114-0942	1	Sender-Fuel
6	46-6550	1	Fitting-Elbow, 90 DEG	18	3253-15	5	Washer-Lock
7	46-6560	1	Bushing	19	32122-24	5	Screw-PTH
8	119-7745	1	Fuel Tank ASM	20	114-9600	1	Decal-Low Sulfur
9	110-6086	1	Harness-Wire, Fuel Tank ●	21	2412-108	3	Clamp-Worm
10	104-8301	2	Nut-HF, NI	22	114-5916	2	Hose-Fuel
11	114-0094	1	Hold Down-Tank	23	110-4110	2	Hose-LP
12	3234-42	2	Screw-HHF				

● Not illustrated



Engine Breather Assembly

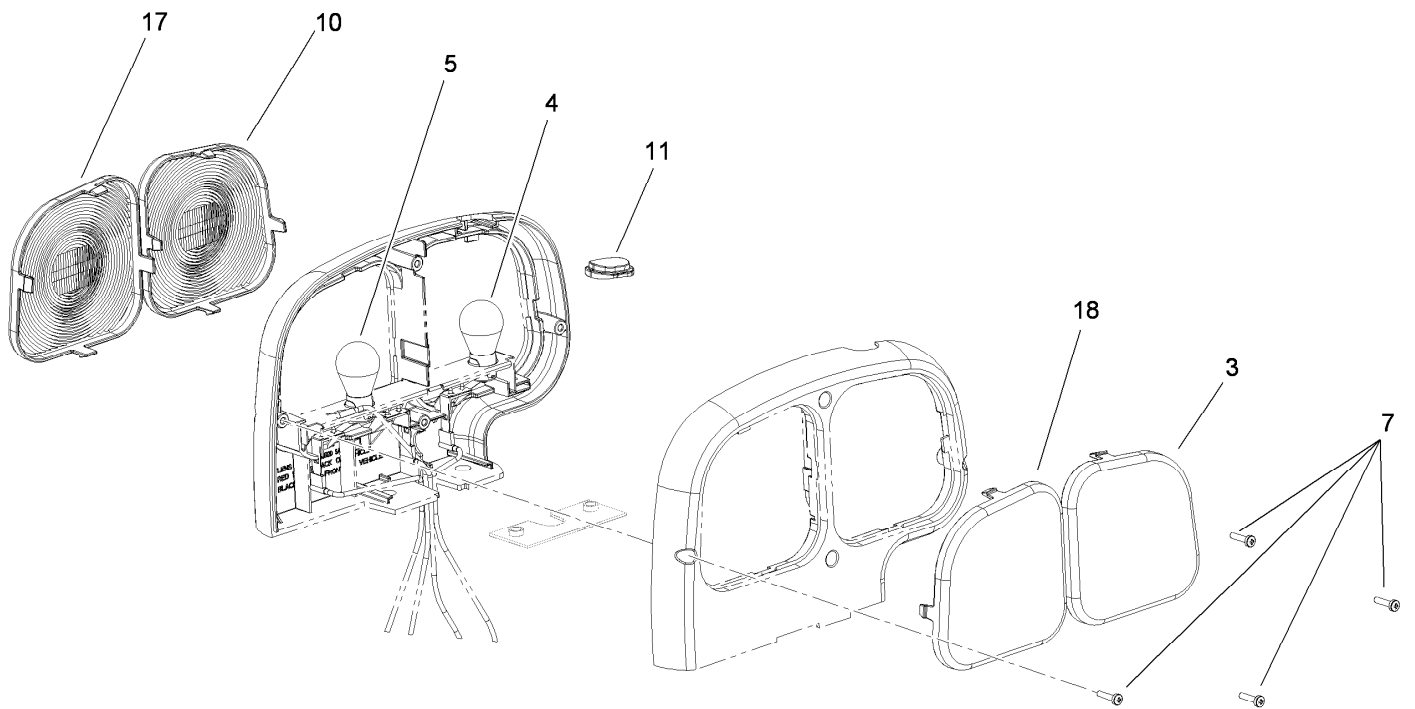
<i>Ref.</i>	<i>Part Number</i>	<i>Qty.</i>	<i>Description</i>	<i>Ref.</i>	<i>Part Number</i>	<i>Qty.</i>	<i>Description</i>
1	117-2789	1	Fitting-Barb	10	115-8879	1	Plate-Latch
2	115-3392	2	Hose-Fuel	11	3290-378	3	Tie-Cable
3	115-3397	1	Valve-Check	12	117-9406	1	Hose-Formed, Breather
4	115-3398	1	Adapter-Straight, Hose Barb	13	115-3393-03	1	Plate-Mount, Breather
5	87-3740	1	Hose-Breather	14	2412-36	2	Clamp-Hose
6	115-3399	1	Breather-Cyclone	15	2412-108	6	Clamp-Worm
7	2412-34	2	Clamp-Hose	16	121-1759	3	Spacer
8	2412-129	1	Clamp-Hose	17	114-4947	1	Plate-Mount, Pad
9	115-3395	1	Hose-Formed, Breather Inlet	18	33104-030	3	Screw-HHF



Roll-Over Protection System Assembly

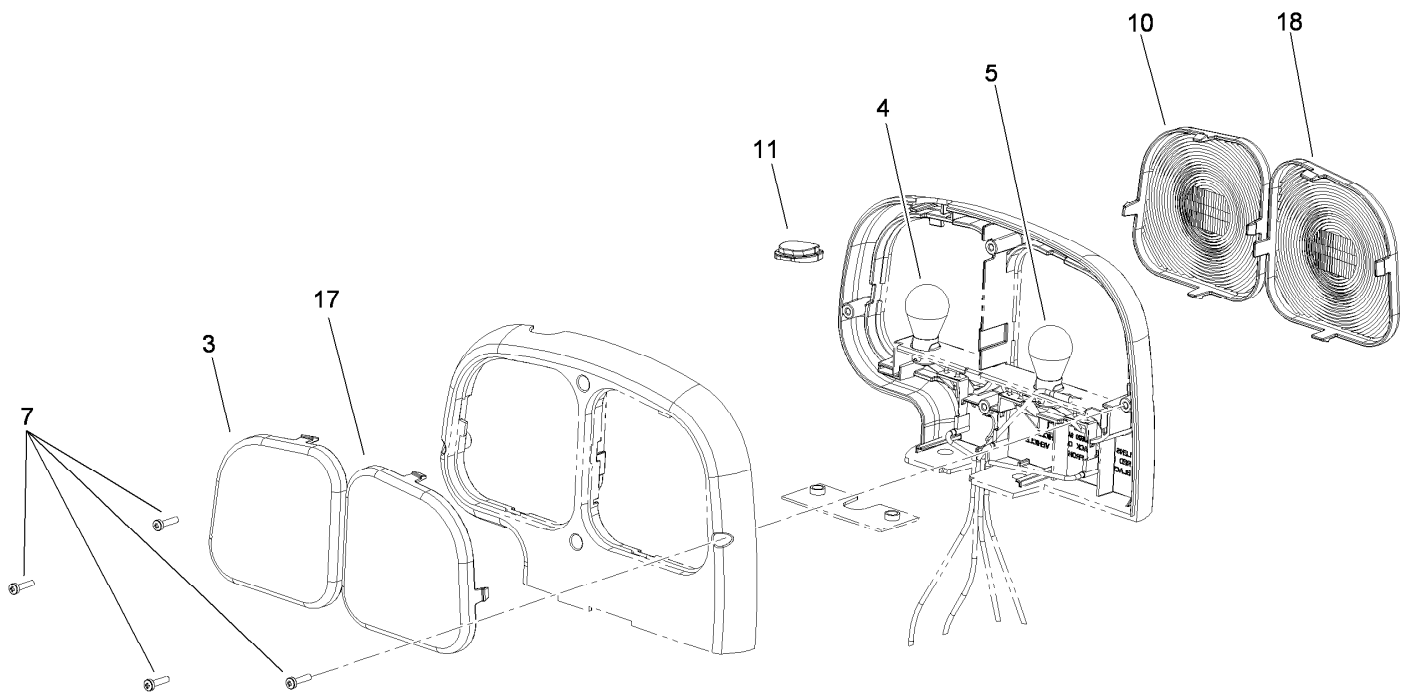
Ref.	Part Number	Qty.	Description
1	114-5505	1	ROPS ASM
2	33114-020	4	Screw-HH
3	104-8301	8	Nut-HF, NI
4	114-5601-03	2	Bracket-Flasher
5	108-8007	1	Tail Light Flasher ASM
6	100-7067	4	U-Bolt (4 Inch)
7	114-0938	1	Tube-Vent
8	114-0937	1	Tube-Vent
9	3290-412	4	Rivet-Blind
10	120-6305	1	Harness-Wire, Flashers
11	2412-72	4	Clip-Closed, Insulated

Ref.	Part Number	Qty.	Description
12	2412-108	2	Clamp-Worm
13	108-8008	1	Tail Light Flasher ASM
14	2412-134	2	Clamp-R
15	49-2040	2	Screw-HWHTF
16	3256-27	4	Washer-Flat
17	327-3	4	Screw-HH
21	114-0835	1	Tread-Foot, Abrasive
22	108-1488	1	Seat Suspension ASM
23	117-5676	1	Premium Seat ASM
24	3290-379	7	Tie-Cable
25	110-6008	2	Decal-Hood



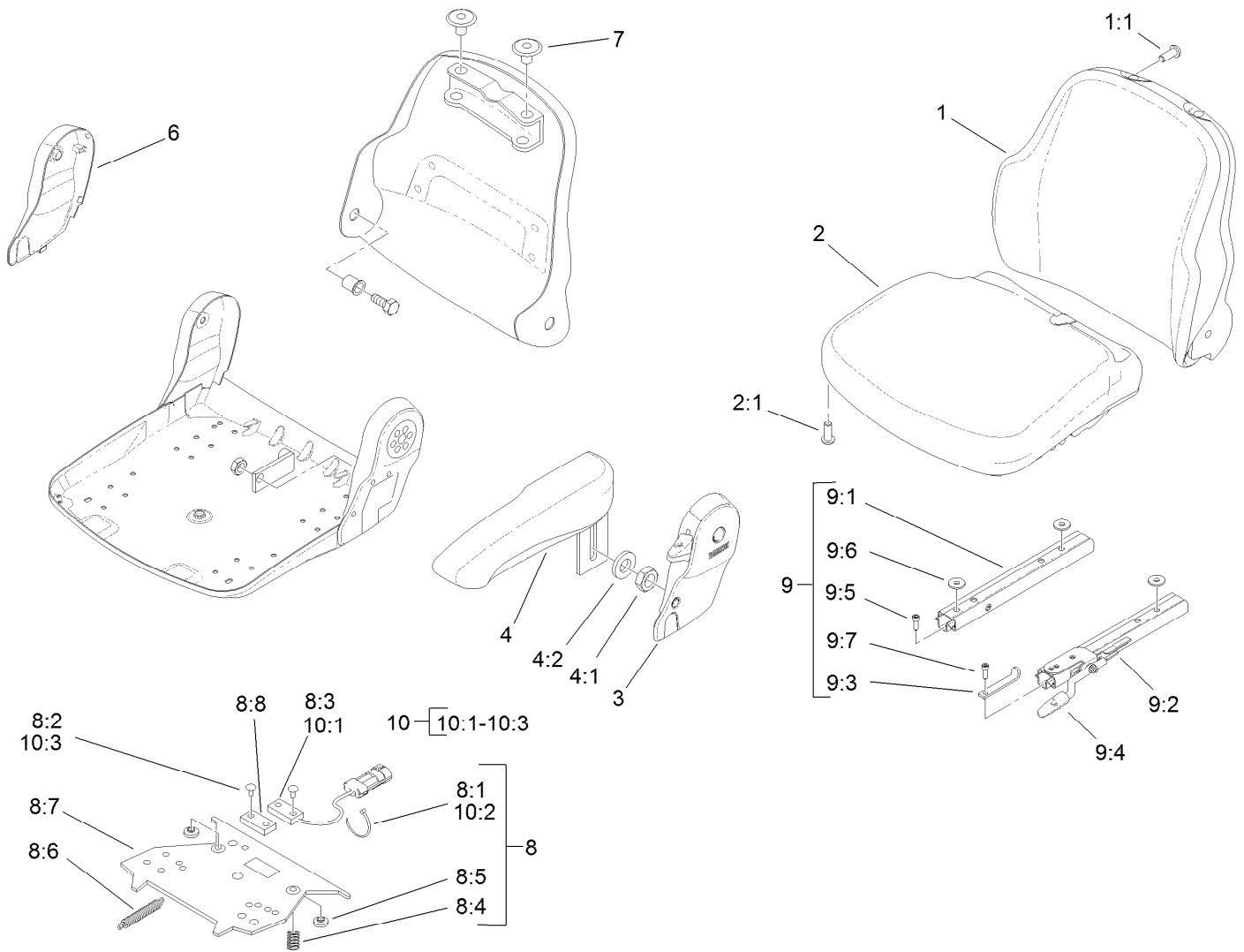
Right Hand Tail Light Assembly No. 108-8007

<i>Ref.</i>	<i>Part Number</i>	<i>Qty.</i>	<i>Description</i>
3	108-8056	1	Lens-Amber, Base
4	7228	1	Bulb
5	108-8054	1	Bulb
7	108-8053	4	Screw
10	108-8057	1	Lens-Amber, Cover
11	108-8055	1	Lens-Amber, Window
17	108-8060	1	Lens-Red, Base
18	108-8059	1	Lens-Black, Cover



Left Hand Tail Light Assembly No. 108-8008

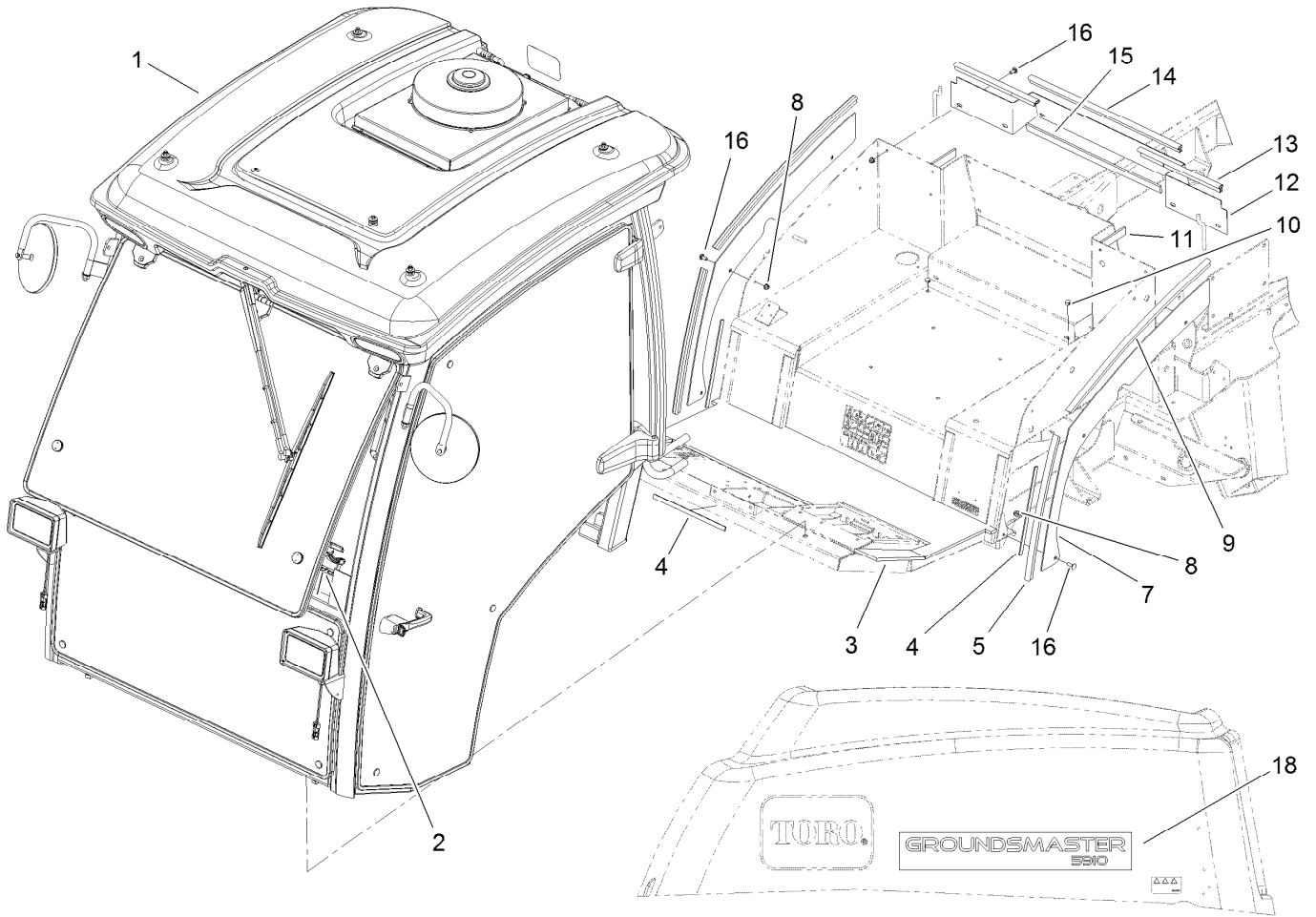
<i>Ref.</i>	<i>Part Number</i>	<i>Qty.</i>	<i>Description</i>
3	108-8056	1	Lens-Amber, Base
4	7228	1	Bulb
5	108-8054	1	Bulb
7	108-8053	4	Screw
10	108-8057	1	Lens-Amber, Cover
11	108-8055	1	Lens-Amber, Window
17	108-8061	1	Lens-Red, Cover
18	108-8058	1	Lens-Black, Base



Vinyl Premium Seat Assembly No. 117-5676

Ref.	Part Number	Qty.	Description	Ref.	Part Number	Qty.	Description
1	108-8016	1	Backrest Cushion ASM	8:6		1	Spring-Extension ●
1:1	119-7742	4	Screw-Cushion	8:7		1	Plate-Mounting ●
2	108-8017	1	Seat Cushion ASM	8:8		1	Magnet ●
2:1	119-7742	3	Screw-Cushion	9	108-8025	1	Adjustment Rail Set
3	108-8018	1	Cover-Armrest	9:1		1	Rail-Adjustment, RH ●
4	108-8019	1	LH Armrest ASM	9:2		1	Rail-Adjustment, LH ●
4:1	82-9650	1	Nut	9:3		1	Stop-Rail ●
4:2	107-1198	1	Washer	9:4		1	Handle ●
6	108-8021	1	Cover-Armrest	9:5		3	Screw ●
7	108-8022	2	Cover-Black	9:6		3	Washer ●
8	108-8024	1	Switch Kit	9:7		1	Screw ●
8:1		3	Wire Tie ●	10	110-6189	1	Switch Kit
8:2		4	Rivet ●	10:1		1	Switch ●
8:3		1	Sensor-Seat Switch ●	10:2		3	Wire Tie ●
8:4		2	Spring-Compression ●	10:3		2	Rivet ●
8:5		2	Bumper-Pressure Plate ●				

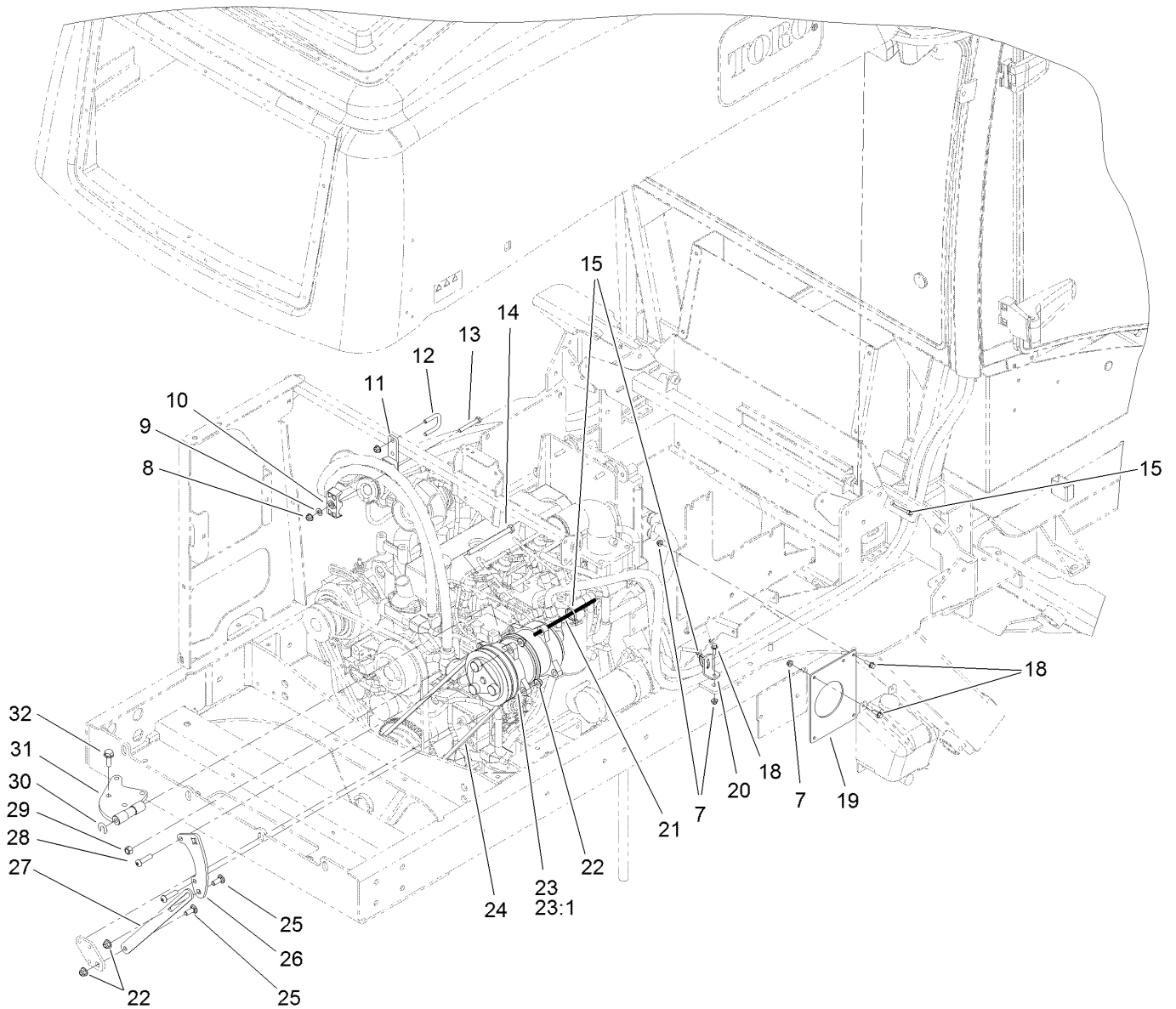
● Not serviced separately



Cab Mounting Assembly

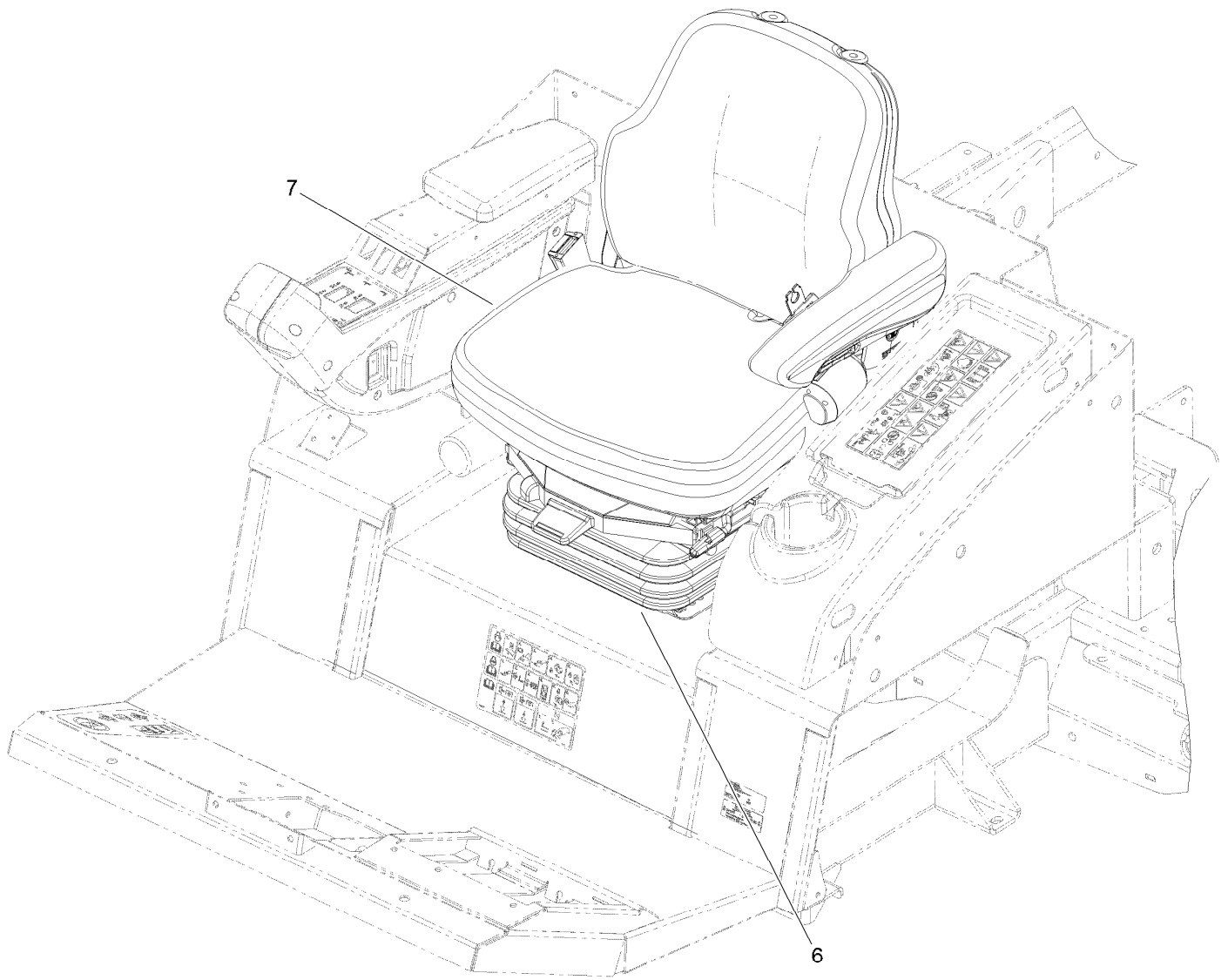
Ref.	Part Number	Qty.	Description	Ref.	Part Number	Qty.	Description
1		1	Cab ASM ●	10	2410-64	2	Plug-Button
2	115-5489	2	Decal-Warning	11	115-5465	2	Seal-Trim
3	117-2767	1	Mat-Floor, Cab	12	110-6036-01	1	Panel-Transition, Rear
4	115-8827	3	Foam-Strip	13	115-5462	2	Seal-Bulb
5	115-5460	2	Seal-Bulb	14	115-5463	1	Seal-Bulb
7	110-6042-01	2	Plate-Sealing, Side	15	115-5464	1	Seal-Trim
8	104-8300	10	Nut-HF, NI	16	3230-23	10	Screw-CARR
9	115-5461	2	Seal-Bulb	18	115-5448	2	Decal-Hood

● Not serviced separately



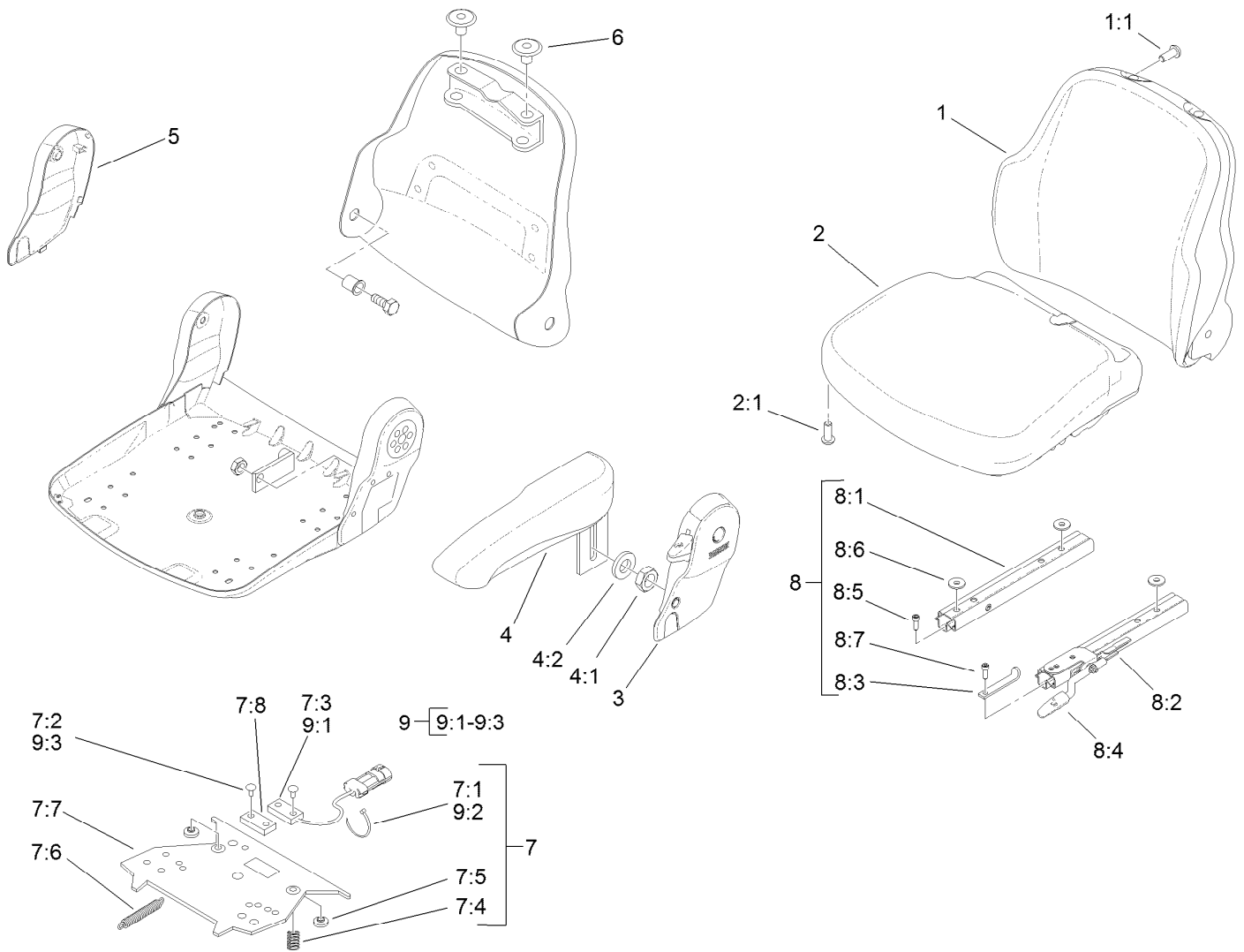
Compressor Mount and Screen Assembly

<i>Ref.</i>	<i>Part Number</i>	<i>Qty.</i>	<i>Description</i>	<i>Ref.</i>	<i>Part Number</i>	<i>Qty.</i>	<i>Description</i>
7	104-7201	6	Nut-HF	22	104-8301	4	Nut-HF, NI
8	104-8300	3	Nut-HF, NI	23	114-4937	1	Compressor-AC
9	3256-23	1	Washer-Plain	23:1	115-5418	1	Clutch-Compressor
10	56-7974	2	Clamp-Tube	24	105-3693	1	Belt-Fan
11	114-5616	1	Plate-Mount, Heater Hoses	25	3231-22	2	Screw-CARR
12	114-0004	1	U-Bolt	26	114-4948	1	Plate-Mount, Compressor
13	322-11	1	Screw-HH	27	114-4949-03	1	Arm-Tensioner
14	33115-130	1	Screw-HH	28	95-3857	2	Screw-HSBH
15	3290-379	4	Tie-Cable	29	33025-00	1	Nut-Lock, NI
18	3234-4	6	Screw-HHF	30	119-7734	2	Shim
19	114-5910-03	1	Plate-Mounting	31	114-4944-03	1	Pivot Plate ASM
20	84-5330	1	Bracket-Prop, Hood	32	33105-030	4	Screw-HHF
21	115-8882	1	Conduit-Convolted				



Cab Seat Assembly

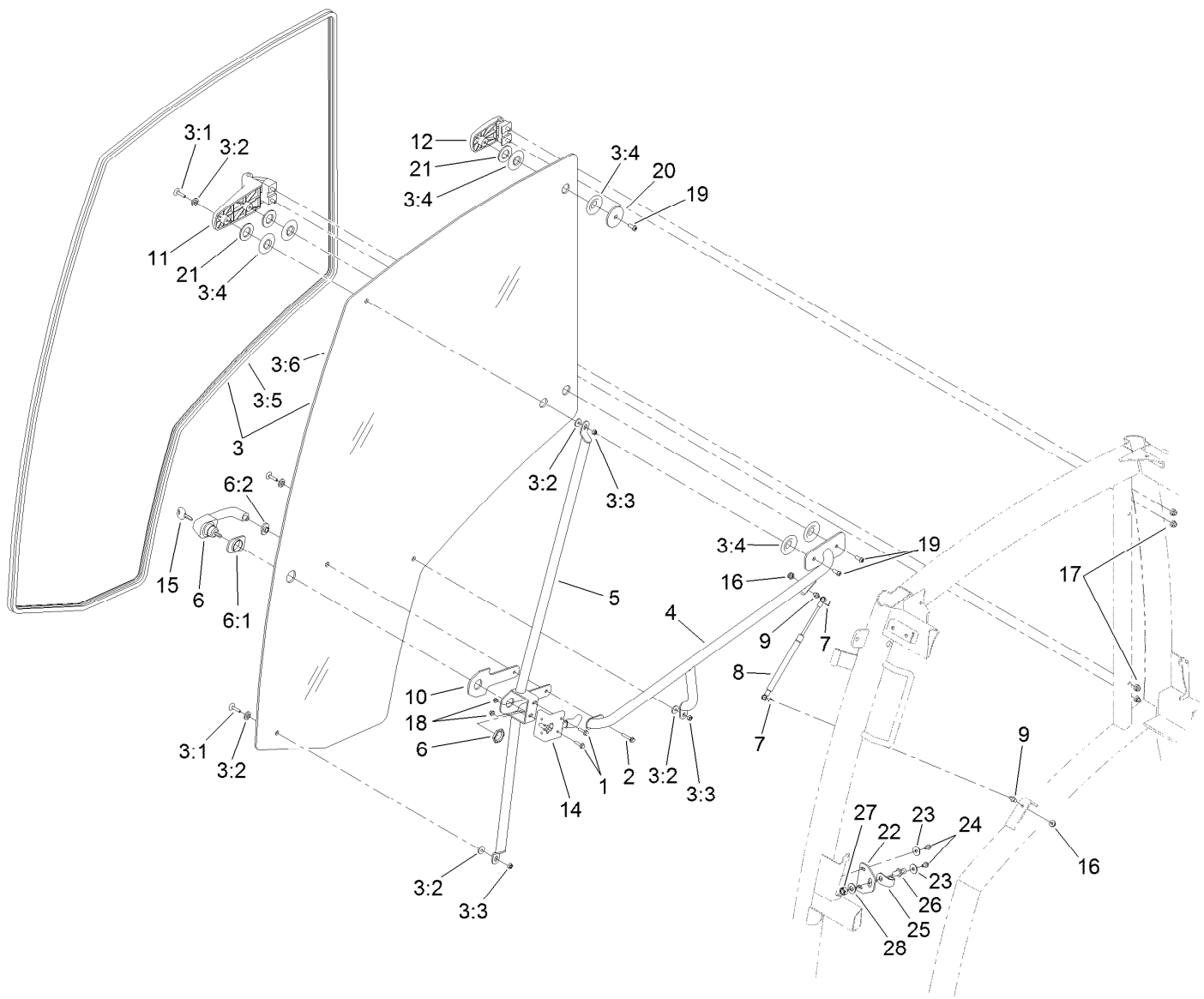
<i>Ref.</i>	<i>Part Number</i>	<i>Qty.</i>	<i>Description</i>
6	108-1488	1	Seat Suspension ASM
7	117-9429	1	Matrix Cloth Seat ASM



Cloth Premium Seat Assembly No. 117-9429

Ref.	Part Number	Qty.	Description	Ref.	Part Number	Qty.	Description
1	117-9415	1	Backrest Cushion ASM	7:6		1	Spring-Extension ●
1:1	119-7742	4	Screw-Cushion	7:7		1	Plate-Mounting ●
2	117-9416	1	Seat Cushion ASM	7:8		1	Magnet ●
2:1	119-7742	3	Screw-Cushion	8	108-8025	1	Adjustment Rail Set
3	108-8018	1	Cover-Armrest	8:1		1	Rail-Adjustment, RH ●
4	108-8019	1	LH Armrest ASM	8:2		1	Rail-Adjustment, LH ●
4:1	82-9650	1	Nut	8:3		1	Stop-Rail ●
4:2	107-1198	1	Washer	8:4		1	Handle ●
5	108-8021	1	Cover-Armrest	8:5		3	Screw ●
6	108-8022	2	Cover-Black	8:6		3	Washer ●
7	108-8024	1	Switch Kit	8:7		1	Screw ●
7:1		3	Wire Tie ●	9	110-6189	1	Switch Kit
7:2		4	Rivet ●	9:1		1	Switch ●
7:3		1	Sensor-Seat Switch ●	9:2		3	Wire Tie ●
7:4		2	Spring-Compression ●	9:3		2	Rivet ●
7:5		2	Bumper-Pressure Plate ●				

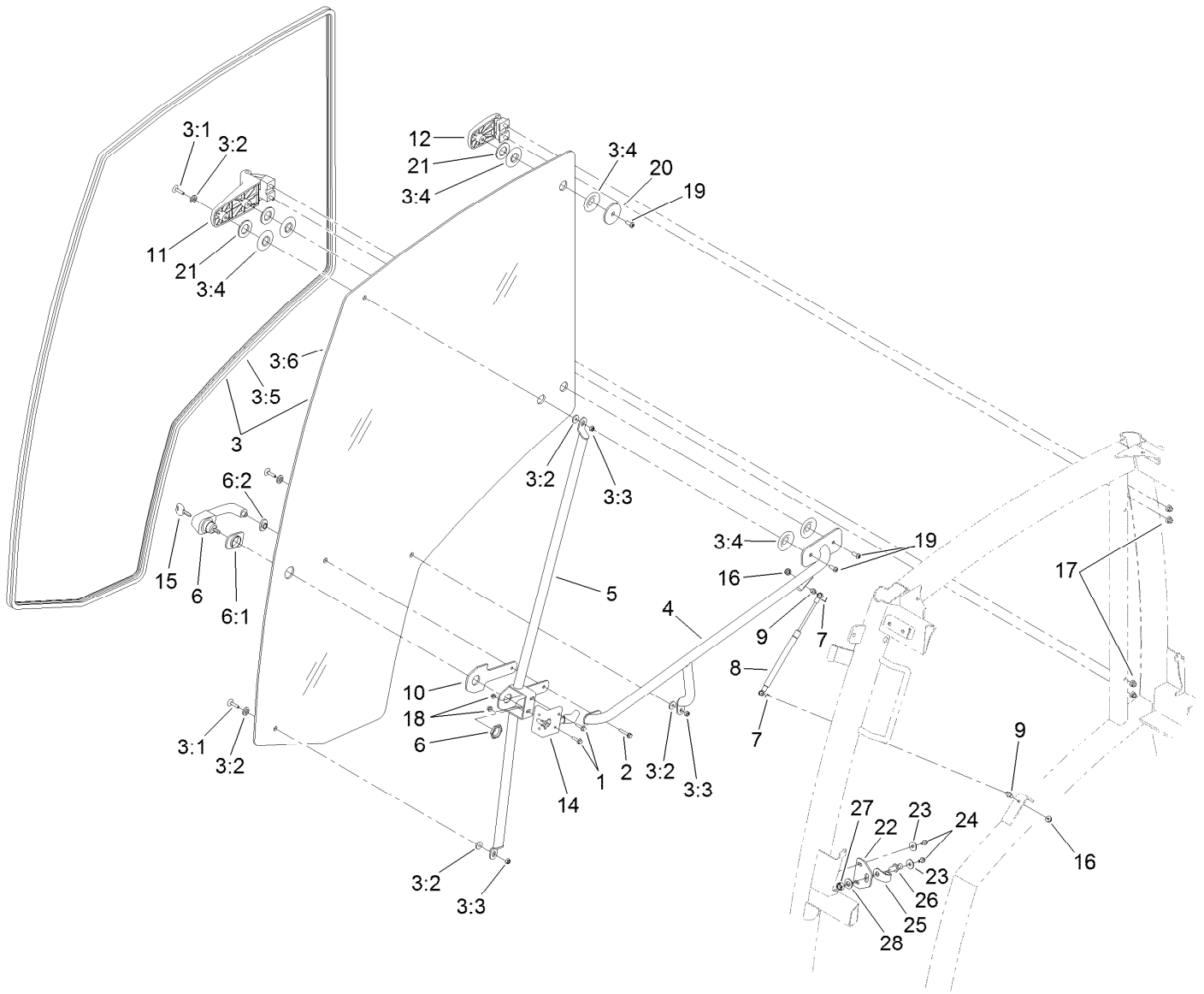
● Not serviced separately



Right Door Cab Assembly

Ref.	Part Number	Qty.	Description	Ref.	Part Number	Qty.	Description
1	33103-025	2	Screw-HHF	10	115-5546	1	Gasket-Handle
2	33103-035	1	Screw-HHF	11	115-5532	1	RH Lower Hinge ASM
3	117-9446	1	RH Door Glass Kit	12	115-5530	1	RH Upper Hinge ASM
3:1	115-5571	3	Bolt-Step	14	117-4996	1	RH Rotary Latch ASM
3:2	115-5570	6	Bushing-Thin	15	115-5545	1	Key-Cab
3:3	115-5572	3	Nut-Flange	16	32128-26	2	Nut-Flange
3:4	115-5573	6	Washer-Sealing	17	104-3082	4	Nut-Lock, HHF
3:5	115-5567	1	Trim-Seal, Bulb	18	81-0130	2	Nut-Flange, NI
3:6		1	Glass-Door ●	19	3274-96	3	Screw-HSBH
4	115-5540	1	RH Door Handle ASM	20	115-5534	1	Washer
5	115-5542	1	RH Door Latch ASM	21	115-5528	3	Washer
6	115-5544	1	Handle-Button, Push	22	117-2777	1	Plate-Striker
6:1	119-4514	1	Gasket-Large	23	115-5581	2	Washer-Flat
6:2	119-4515	1	Gasket-Small	24	3234-13	2	Screw-HHF
7	115-5591	2	Clip-Shock, Gas	25	115-5577	1	Guard-Striker
8	115-5590	1	Shock-Gas, Long	26	115-5576	1	Striker
9	98-3104	2	Stud-Ball				

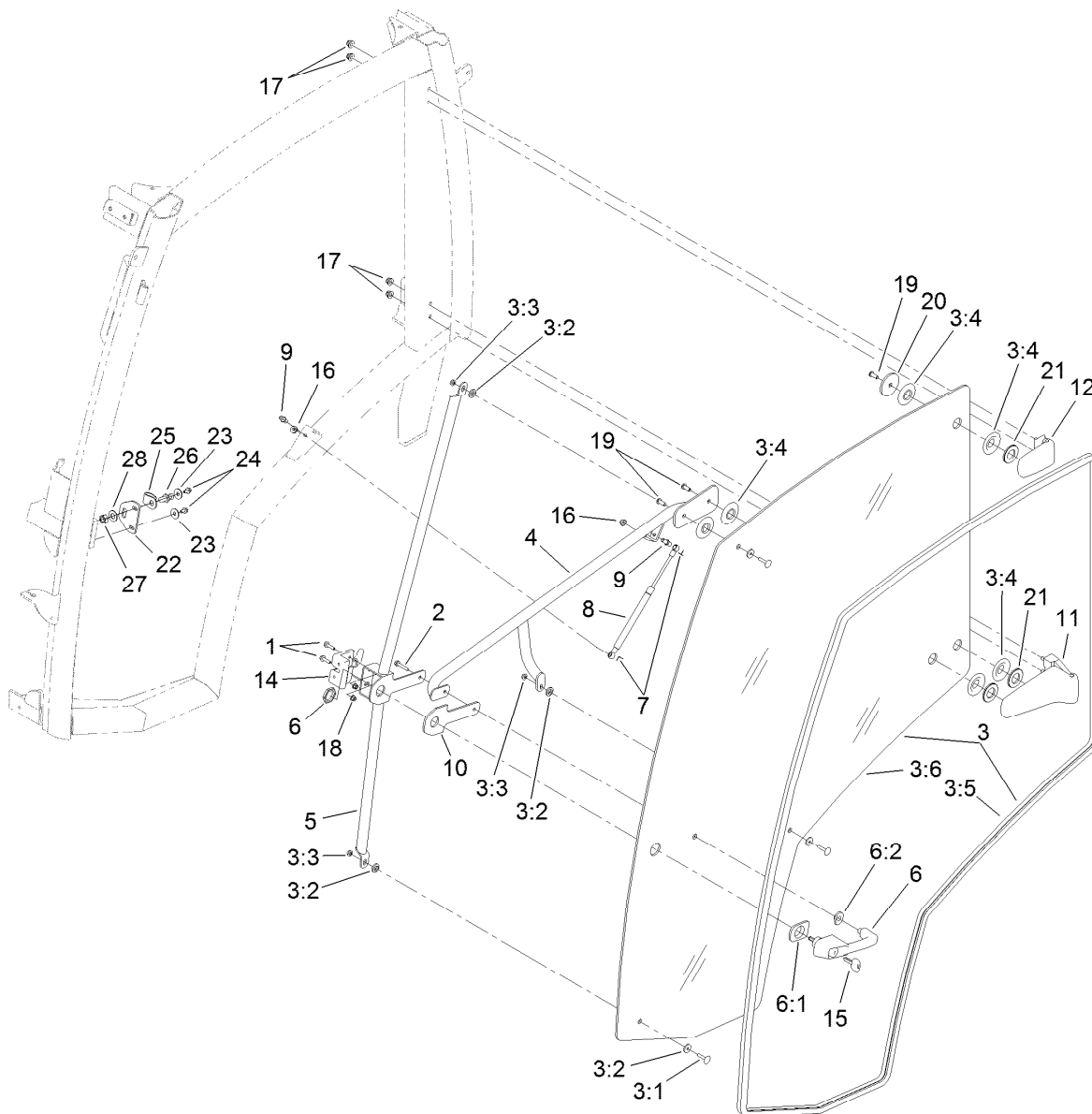
● Not serviced separately



Right Door Cab Assembly (continued)

<i>Ref.</i>	<i>Part Number</i>	<i>Qty.</i>	<i>Description</i>
27	115-5579	1	Nut-HH
28	3256-26	1	Washer-Flat

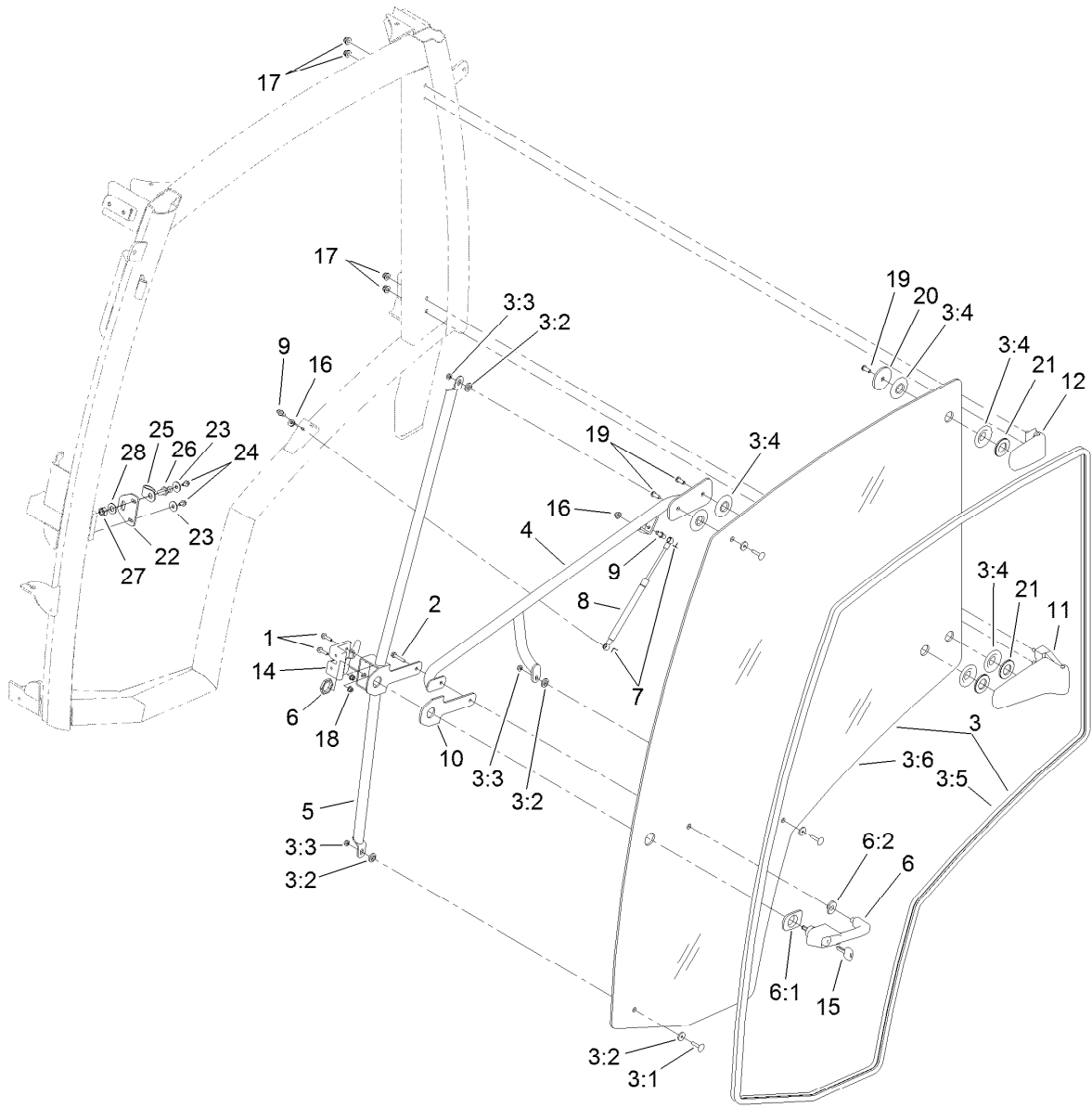
● Not serviced separately



Left Door Cab Assembly

Ref.	Part Number	Qty.	Description	Ref.	Part Number	Qty.	Description
1	33103-025	2	Screw-HHF	10	115-5546	1	Gasket-Handle
2	33103-035	1	Screw-HHF	11	115-5533	1	LH Lower Hinge ASM
3	117-9445	1	LH Door Glass Kit	12	115-5531	1	LH Upper Hinge ASM
3:1	115-5571	3	Bolt-Step	14	117-4997	1	LH Rotary Latch ASM
3:2	115-5570	6	Bushing-Thin	15	115-5545	1	Key-Cab
3:3	115-5572	3	Nut-Flange	16	32128-26	2	Nut-Flange
3:4	115-5573	6	Washer-Sealing	17	104-3082	4	Nut-Lock, HHF
3:5	115-5567	1	Trim-Seal, Bulb	18	81-0130	2	Nut-Flange, NI
3:6		1	Glass-Door ●	19	3274-96	3	Screw-HSBH
4	115-5541	1	LH Door Handle ASM	20	115-5534	1	Washer
5	115-5543	1	LH Door Latch ASM	21	115-5528	3	Washer
6	115-5544	1	Handle-Button, Push	22	117-2777	1	Plate-Striker
6:1	119-4514	1	Gasket-Large	23	115-5581	2	Washer-Flat
6:2	119-4515	1	Gasket-Small	24	3234-13	2	Screw-HHF
7	115-5591	2	Clip-Shock, Gas	25	115-5577	1	Guard-Striker
8	115-5590	1	Shock-Gas, Long	26	115-5576	1	Striker
9	98-3104	2	Stud-Ball				

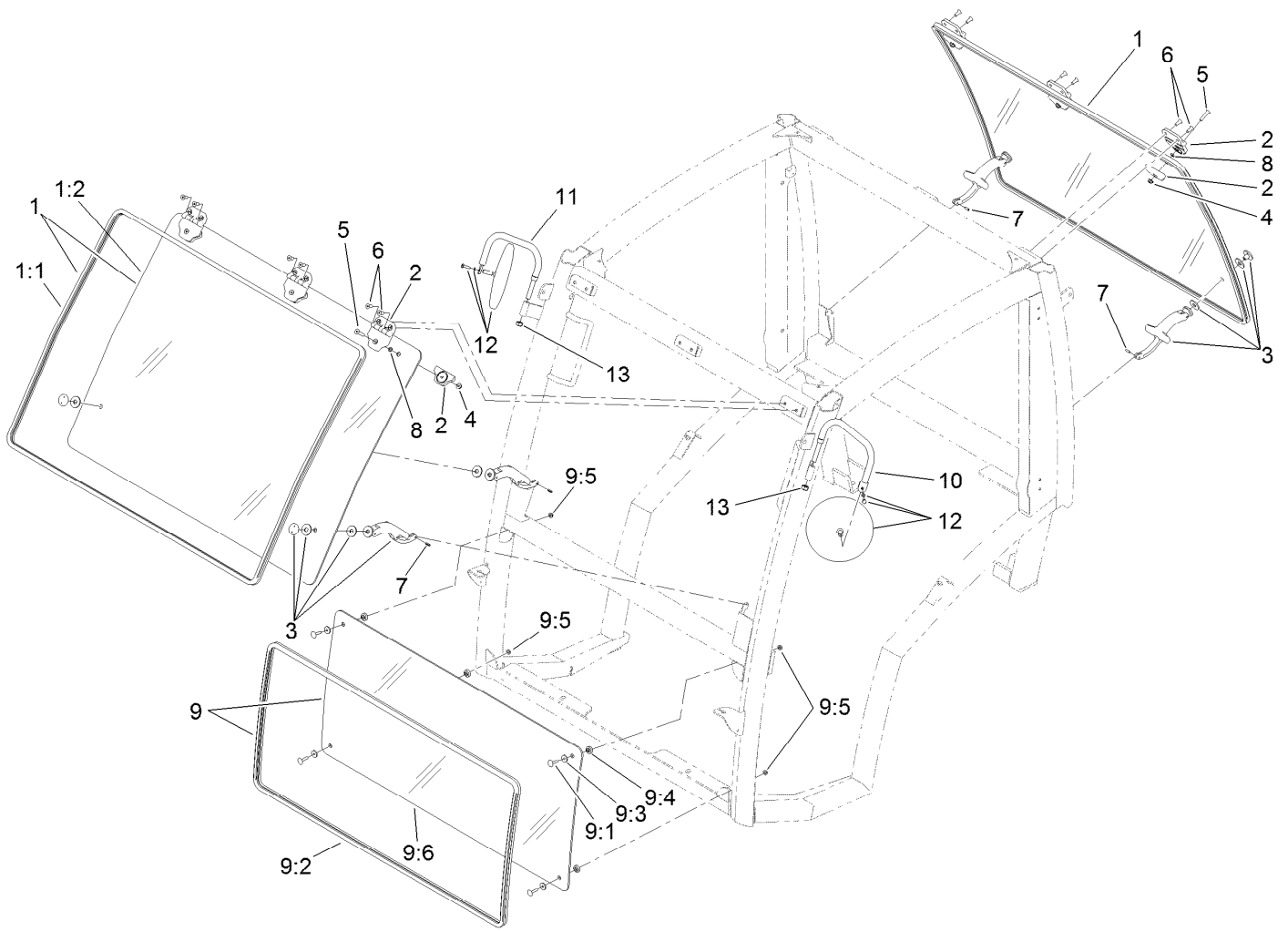
● Not serviced separately



Left Door Cab Assembly (continued)

<i>Ref.</i>	<i>Part Number</i>	<i>Qty.</i>	<i>Description</i>
27	115-5579	1	Nut-HH
28	3256-26	1	Washer-Flat

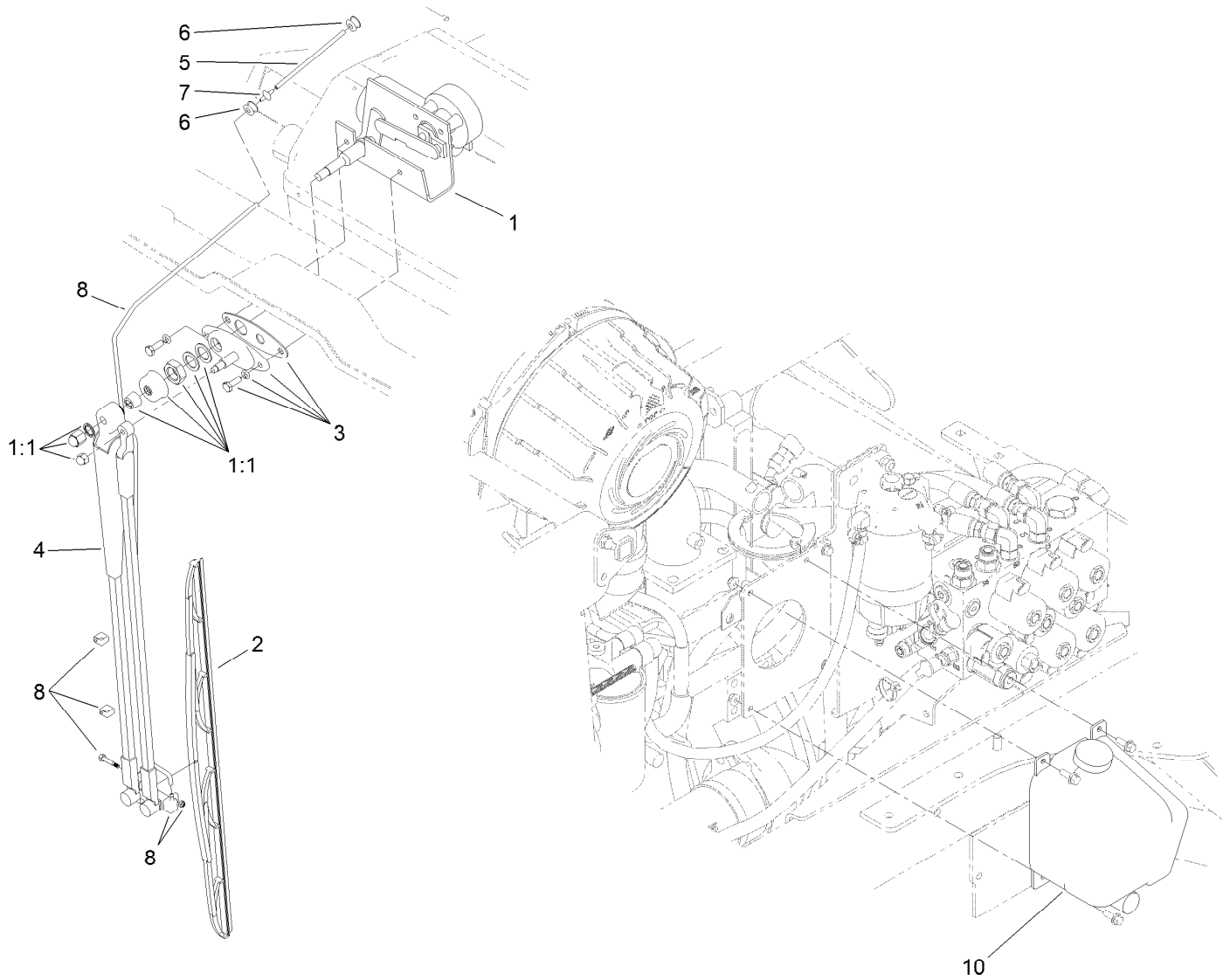
● Not serviced separately



Front and Rear Window Cab Assembly

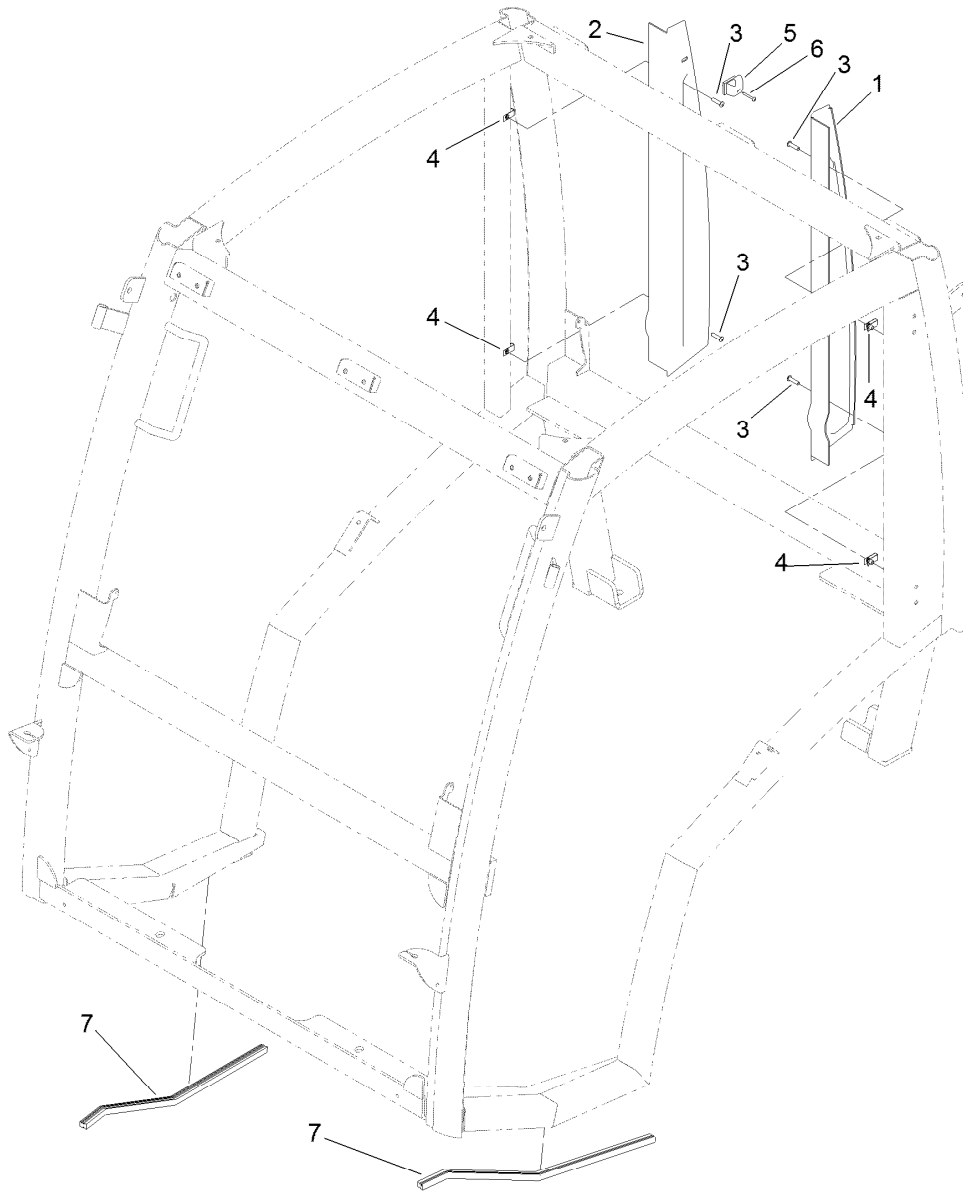
<i>Ref.</i>	<i>Part Number</i>	<i>Qty.</i>	<i>Description</i>	<i>Ref.</i>	<i>Part Number</i>	<i>Qty.</i>	<i>Description</i>
1	115-5566	2	Window Glass Kit	9:1	115-5571	4	Bolt-Step
1:1	115-5568	1	Trim-Seal, Bulb	9:2	115-5569	1	Trim-Seal, Bulb
1:2		1	Glass-Window ●	9:3	115-5570	4	Bushing-Thin
2	115-5563	6	Hinge ASM	9:4	115-5574	4	Bushing-Thick
3	115-5597	4	Handle-Latch	9:5	115-5572	4	Nut-Flange
4	32128-26	6	Nut-Flange	9:6		1	Glass-Front, Lower ●
5	115-5548	6	Screw-HSFH	10	115-5584	1	Arm-Mount, Mirror (LH)
6	115-5549	12	Screw-HSFH	11	115-5583	1	Arm-Mount, Mirror (RH)
7	115-5599	4	Pin-Split	12	115-5585	2	Mirror-Convex
8	115-5598	6	Washer-Rubber	13	115-5582	2	Nut-Flange, Crimplock
9	115-5565	1	Lower Windshield Glass Kit				

● Not serviced separately



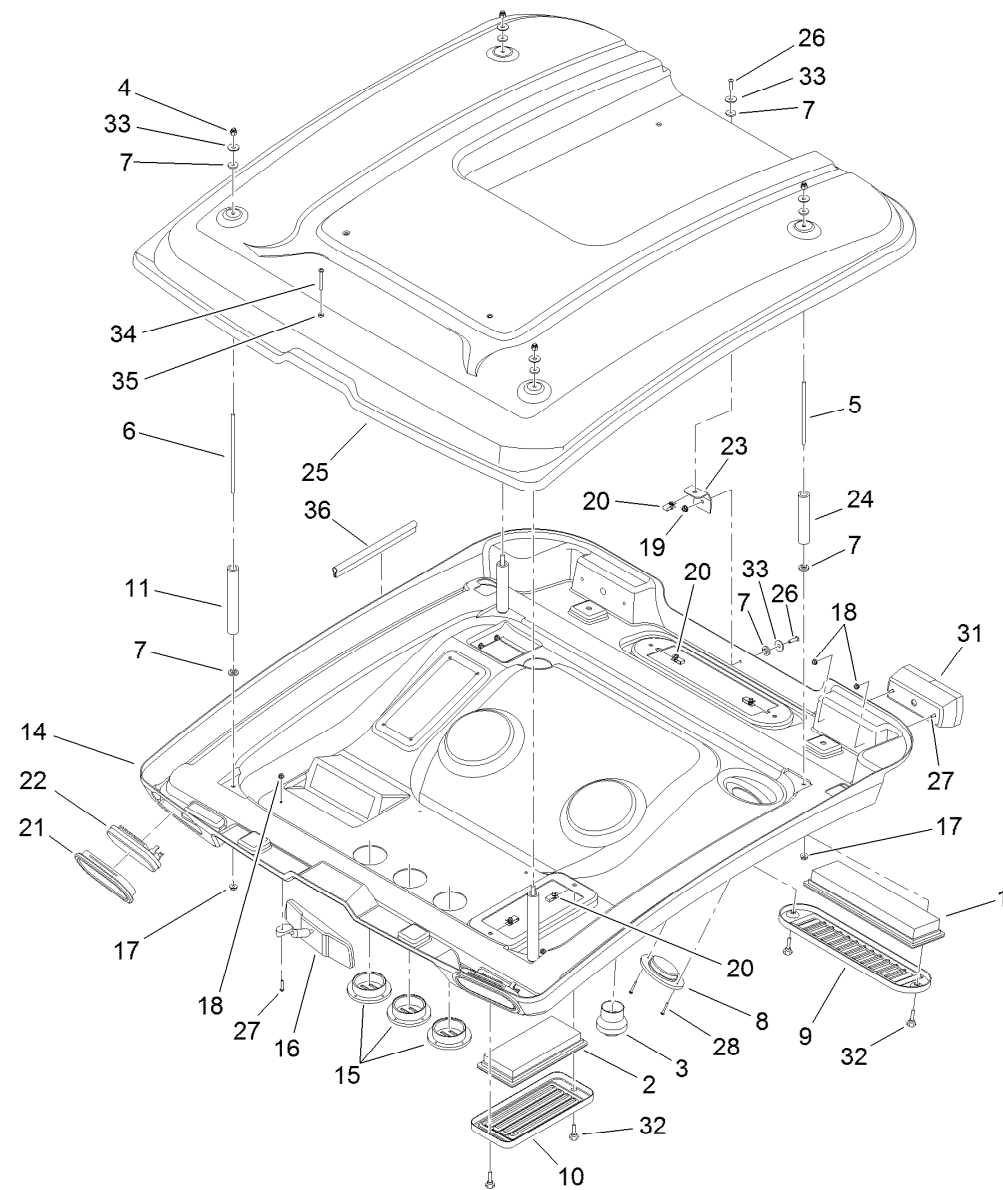
Window Wiper and Washer Bottle Cab Assembly

Ref.	Part Number	Qty.	Description
1	115-8831	1	Motor-Wiper
1:1	119-7735	1	Wiper Seal Kit
2	115-8834	1	Blade-Wiper, 22 Inch
3	115-8832	1	Adaptor ASM (W/Gasket)
4	115-8833	1	Arm-Wiper, 22 Inch
5	119-8366	1	Line-Washer
6	119-8367	2	Grommet
7	119-8368	1	Connector-Barb
8	119-8369	1	Washer Nozzle Kit
10	115-8848	1	Tank-Fluid, Washer



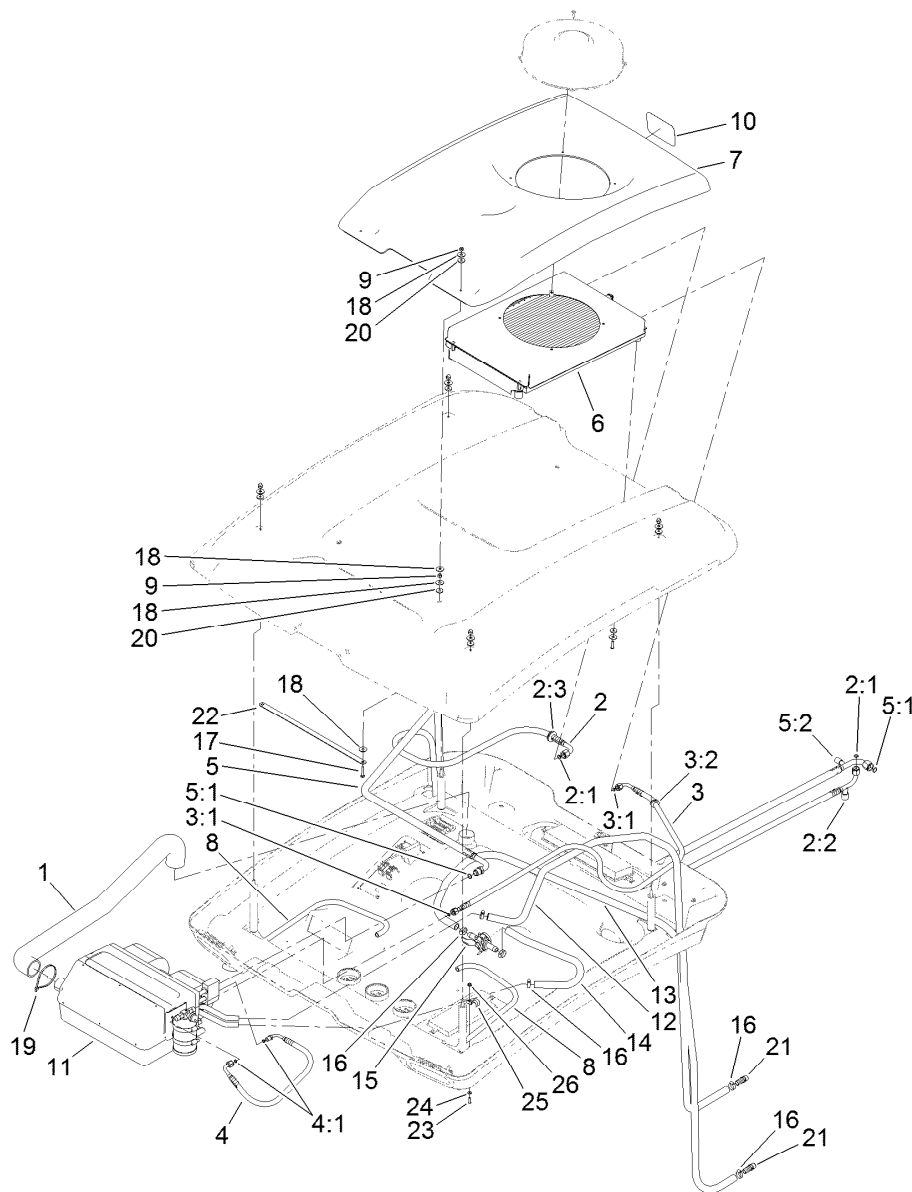
Shielding Component Cab Assembly

<i>Ref.</i>	<i>Part Number</i>	<i>Qty.</i>	<i>Description</i>
1	115-5589	1	Cover-Composite, LH
2	115-5588	1	Cover-Composite, RH
3	3274-65	4	Screw-HSBH
4	115-5586	4	Nut-Panel, Deep
5	115-5595	1	Hook-Coat
6	115-5594	1	Screw-HSBH
7	115-5596	2	Seal-Bulb



Headliner Cab Assembly

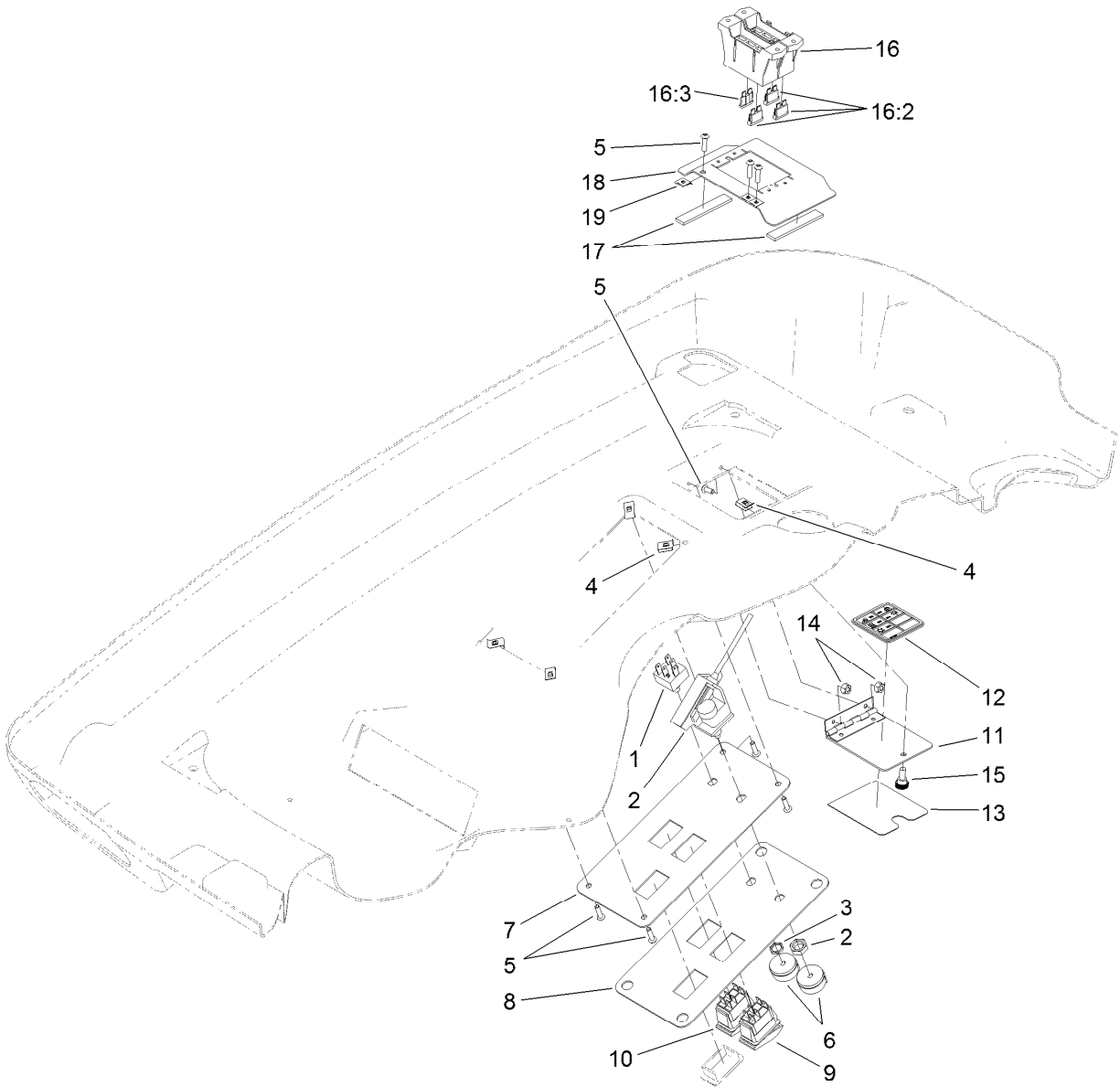
<i>Ref.</i>	<i>Part Number</i>	<i>Qty.</i>	<i>Description</i>	<i>Ref.</i>	<i>Part Number</i>	<i>Qty.</i>	<i>Description</i>
1	115-5553	1	"obs" Ref 121-3892	19	115-5572	2	Nut-Flange
2	115-5556	1	Filter-Air, Front	20	115-5586	5	Nut-Panel, Deep
3	115-5559	1	Louver-Ball	21	115-5521	2	Grommet-Light
4	73-5380	4	Nut-Hex	22	115-5520	2	Light-Warning, Front
5	117-2763	2	Fastener-Mount, Rear Roof	23	115-5526	1	Mount-Roof
6	117-2764	2	Fastener-Mount, Front Roof	24	115-5514	2	Spacer-Roof, Rear
7	115-5570	10	Bushing-Thin	25	119-4504	1	Roof
8	115-5515	1	Light-Dome, LED	26	3274-65	2	Screw-HSBH
9	115-5554	1	Cover-Filter, Rear	27	108-3153	5	Screw-HSBH
10	115-5557	1	Cover-Filter, Front	28	115-5594	2	Screw-HSBH
11	115-5513	2	Spacer-Roof, Front	31	115-5525	2	Light-Warning, Rear
14	115-5550	1	Headliner	32	115-5555	4	Screw-Thumb
15	115-5558	3	Louver	33	115-5581	6	Washer-Flat
16	115-5524	1	Mirror-Rear View	34	99-2932	1	Screw-HSBH
17	32128-26	4	Nut-Flange	35	115-5598	1	Washer-Rubber
18	32128-17	5	Nut-Lock, Flange	36	121-3872	1	Seal-Bulb, Roof



Roof, Condenser and Evaporator Cab Assembly

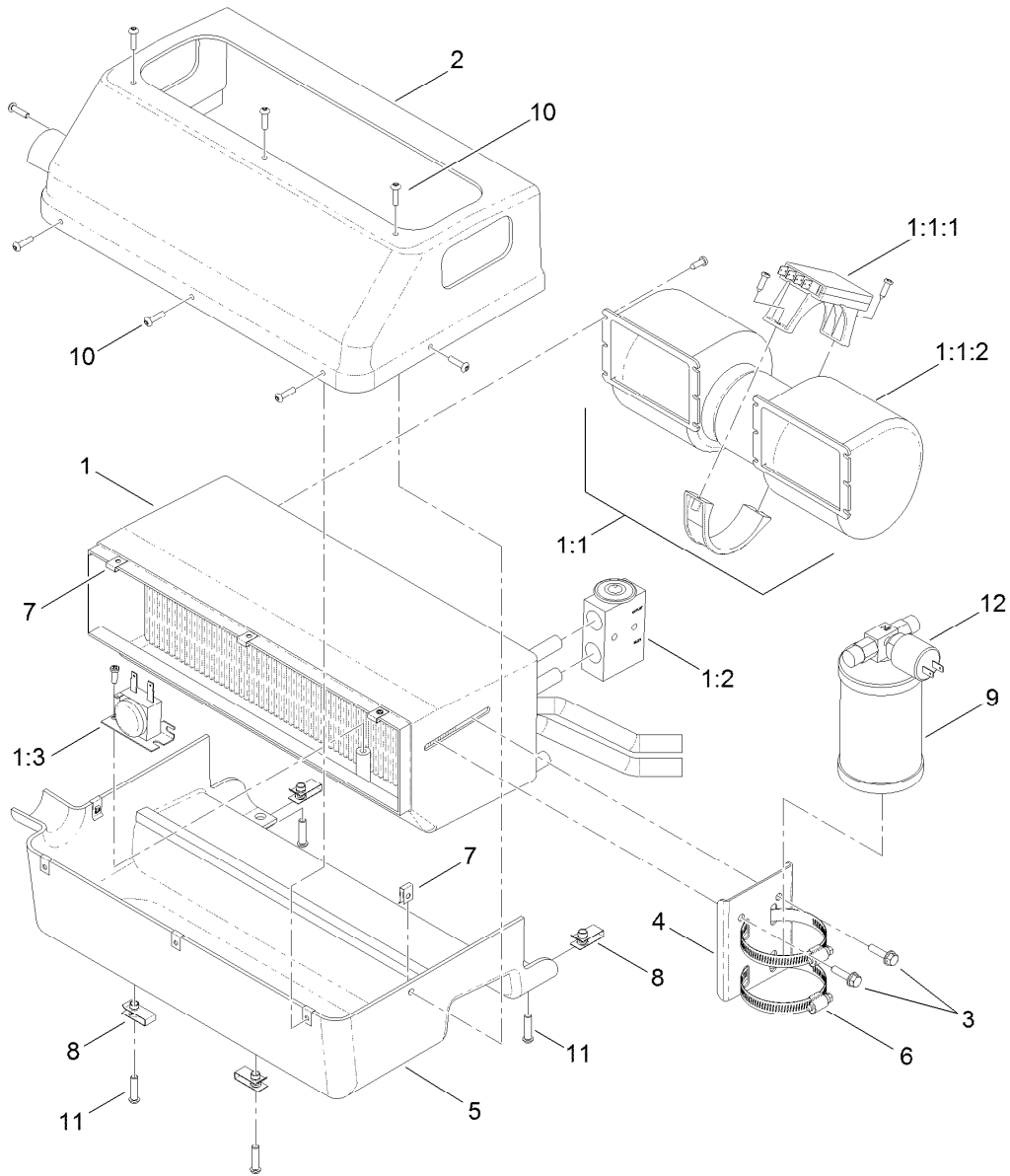
Ref.	Part Number	Qty.	Description	Ref.	Part Number	Qty.	Description
1	115-8835	1	Hose-Air Duct	10	67-1300	1	Decal
2	117-2785	1	Hose ASM	11		1	Heater Evaporator ASM ●
2:1	117-2779	2	O-Ring	12	115-8842	1	Hose
2:2	117-2783	1	Cap-Side, High	13	115-8843	1	Hose
2:3	117-2781	1	Grommet	14	115-8844	1	Hose
3	115-8837	1	Hose ASM	15	115-8840	1	Valve-Heater
3:1	117-2778	2	O-Ring	16	2412-141	4	Clamp-Drive, Worm
3:2	117-2782	1	Grommet	17	3229-4	2	Screw-CARR
4	115-8838	1	Hose ASM	18	115-5581	8	Washer-Flat
4:1	117-2778	2	O-Ring	19	3290-379	2	Tie-Cable
5	117-2786	1	Hose ASM	20	115-5570	4	Bushing-Thin
5:1	117-2780	2	O-Ring	21	117-9410	2	Fitting-Straight
5:2	117-2784	1	Cap-Side, Low	22	119-4505	1	Strap-Mounting
6		1	Condenser ASM ●	23	104-2408	2	Screw-HSBH
7	119-4503	1	Cover-Condenser	24	3256-14	2	Washer-Flat
8	115-8845	2	Hose-Drain, Condensation	25	119-4517	2	Clamp-Hose
9	3296-42	4	Nut-Lock, NI	26	32128-17	2	Nut-Lock, Flange

● Not serviced separately



Switchplate and Fuse Block Cover Cab Assembly

<i>Ref.</i>	<i>Part Number</i>	<i>Qty.</i>	<i>Description</i>	<i>Ref.</i>	<i>Part Number</i>	<i>Qty.</i>	<i>Description</i>
1	115-5502	1	Switch-Fan, 3-Speed	12	117-2787	1	Label-Information, Fuse
2	115-8820	1	Switch-Control, Heat	13	115-5508	1	Label-Block, Fuse
3	115-5503	1	Nut	14	32128-17	2	Nut-Lock, Flange
4	107-1013	5	Nut-Speed	15	115-5506	1	Knob
5	104-2408	9	Screw-HSBH	16	119-1343	1	Harness-Wire, Cab
6	115-5504	2	Knob-Control	16:2	109355	3	Fuse-Blade, 15 Amp
7	115-5500	1	Plate-Switch	16:3	109103	1	Fuse-Blade, 30 Amp
8	115-5501	1	Label-Switch	17	115-5547	2	Pad-Fastener
9	114-3329	1	Switch-Rocker	18	115-5511	1	Mount-Block, Fuse
10	95-8999	1	Switch	19	115-5505	3	Nut-Panel, Spring
11	115-5510	1	Cover-Access, Fuse				

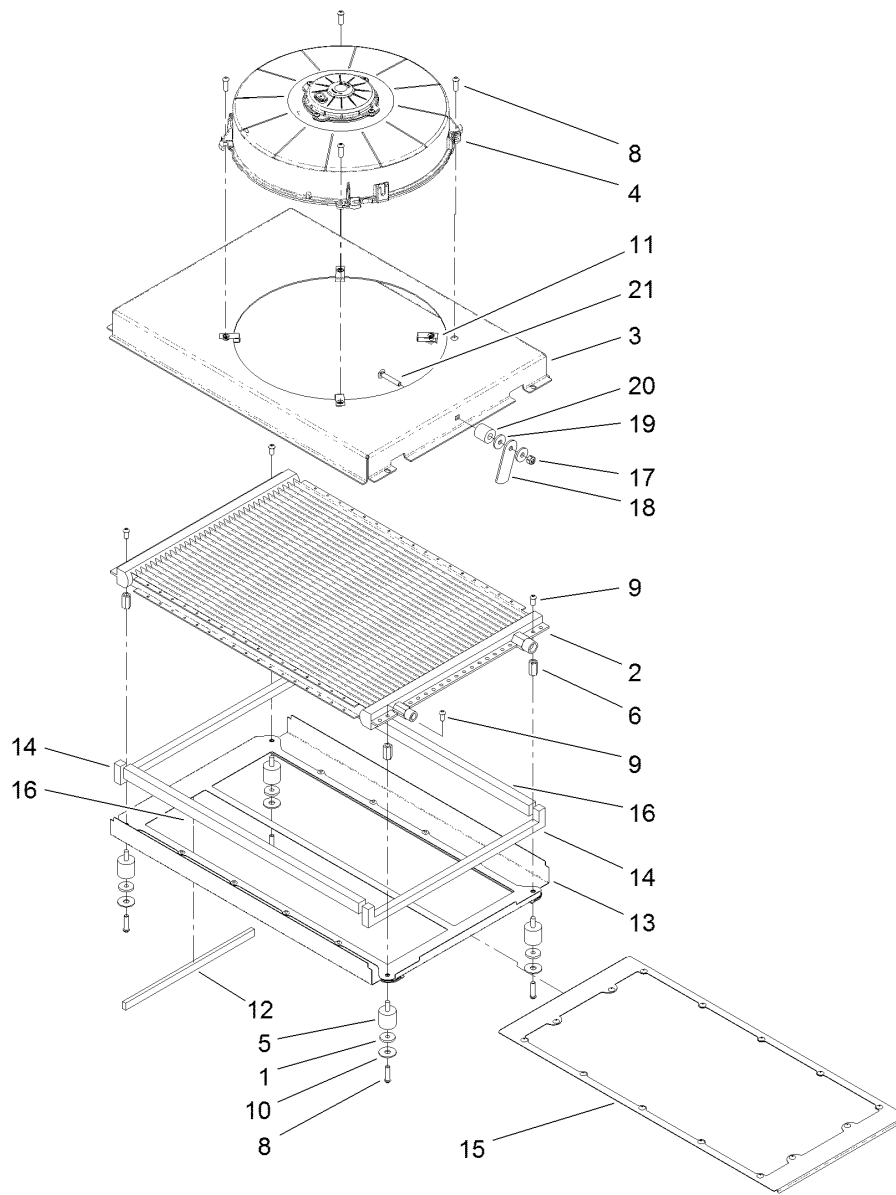


A/C Heater and Evaporator Cab Assembly

<i>Ref.</i>	<i>Part Number</i>	<i>Qty.</i>	<i>Description</i>
1	121-3860	1	A/C Heater ASM
1:1	121-3861	1	Fan-Blower
1:1:1	121-3862	1	Resistor-Fan
1:1:2		1	Fan And Motor ASM ●
1:2	115-5587	1	Valve-Expansion
1:3	115-5593	1	Thermostat-Switch, Freeze
2	115-8829	1	Cover-Top
3	33103-025	2	Screw-HHF
4	115-8824	1	Mount-Drier

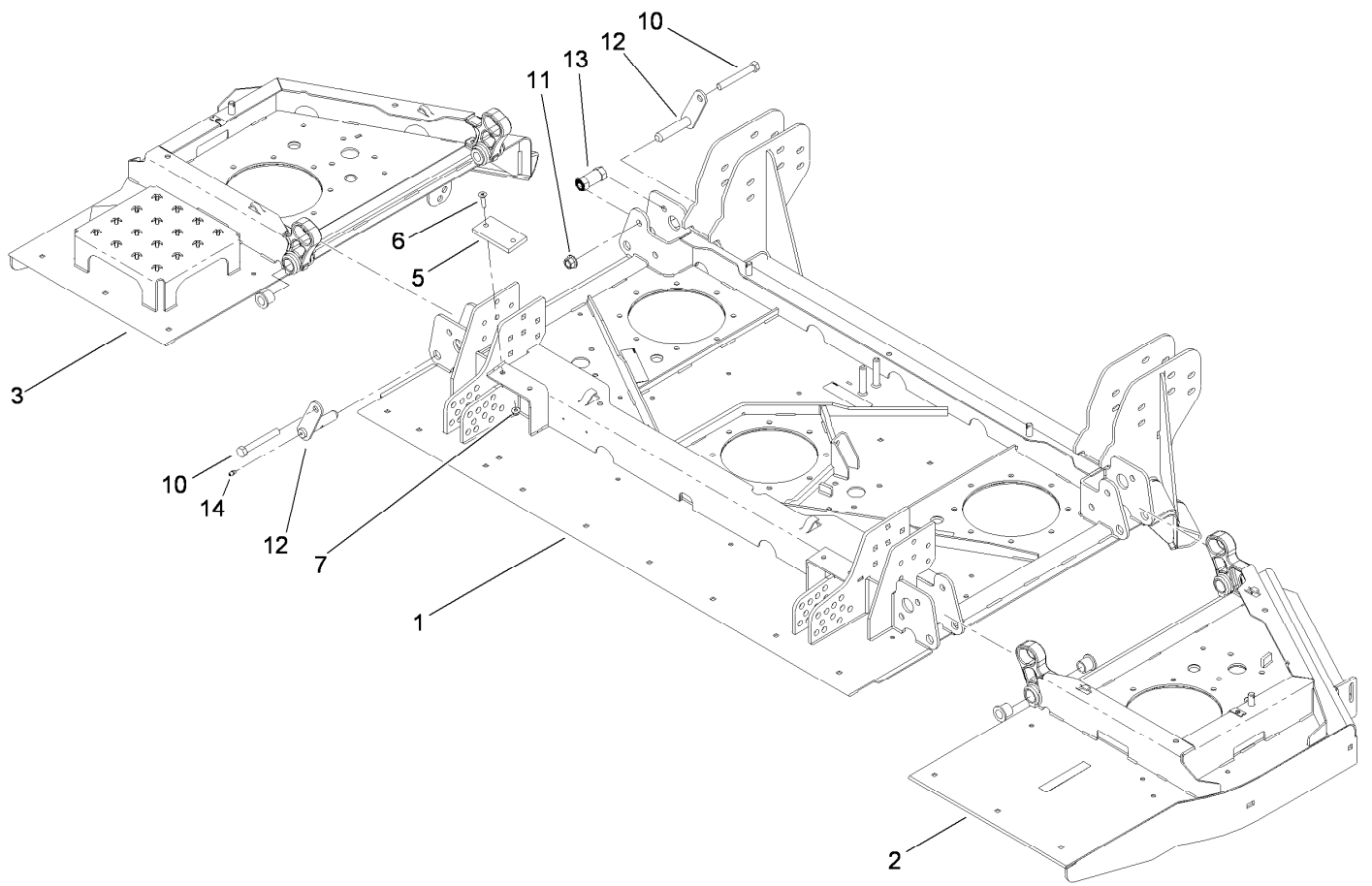
<i>Ref.</i>	<i>Part Number</i>	<i>Qty.</i>	<i>Description</i>
5	115-8828	1	Evaporator-Bottom
6	2412-125	2	Clamp-Hose
7	107-1013	8	Nut-Speed
8	115-5586	4	Nut-Panel, Deep
9	119-4502	1	Drier-Receiver
10	104-2408	8	Screw-HSBH
11	3274-65	5	Screw-HSBH
12	119-4501	1	Switch-Function, Dual

● Not serviced separately



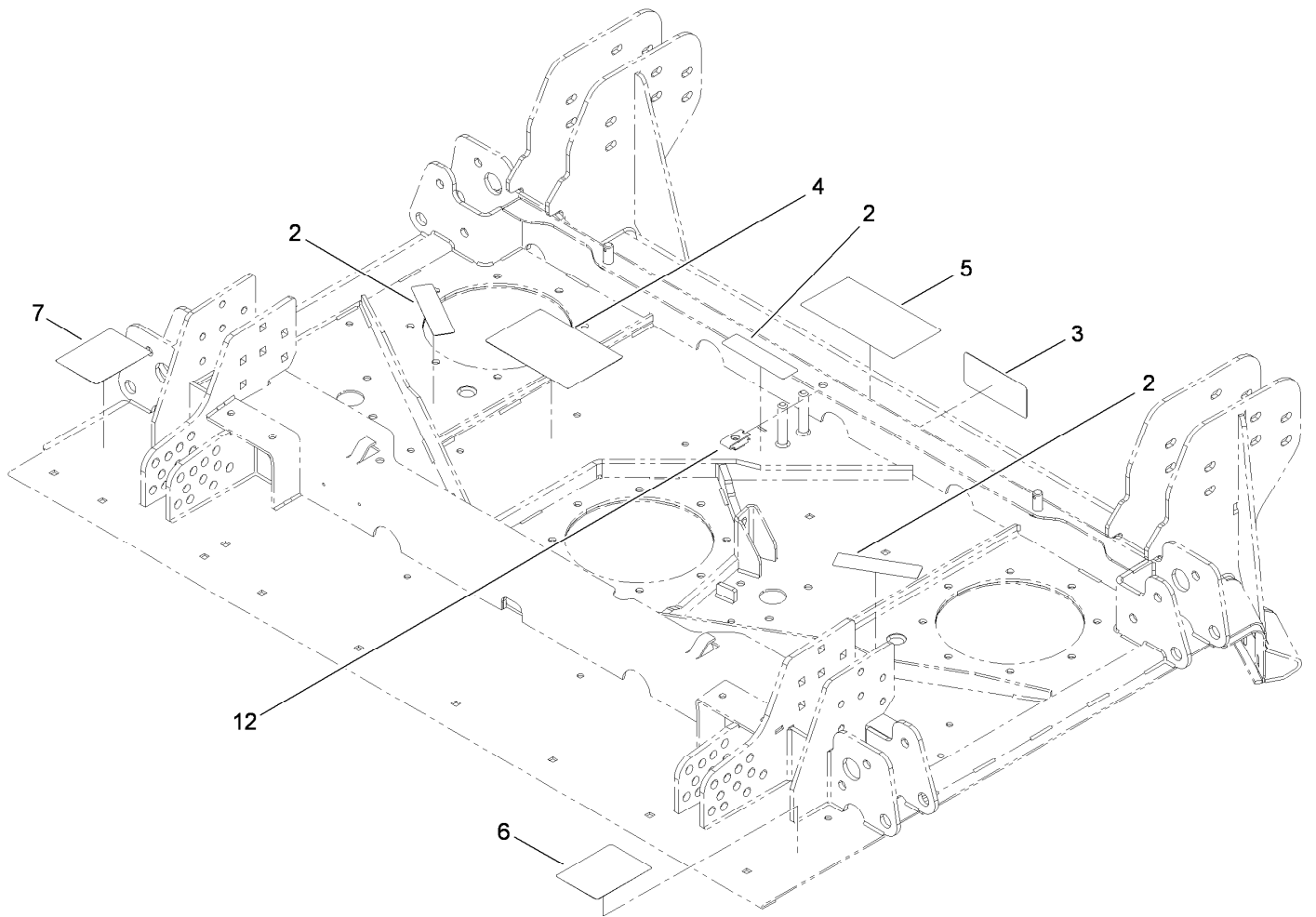
Condenser Cab Assembly

<i>Ref.</i>	<i>Part Number</i>	<i>Qty.</i>	<i>Description</i>	<i>Ref.</i>	<i>Part Number</i>	<i>Qty.</i>	<i>Description</i>
1	115-5570	4	Bushing-Thin	12	119-4527	1	Foam-Tray
2	115-8816	1	Coil-Condenser	13	119-4513	1	Frame-Screen
3	119-4511	1	Shroud-Fan	14	119-4544	2	Foam-End
4	119-4500	1	Fan-12 Inch	15	119-4512	1	Tray-Screen
5	115-8822	4	Mount-Isolator	16	119-4516	2	Foam-Side
6	115-8823	4	Coupler-Nut	17	3296-42	1	Nut-Lock, NI
8	3274-65	8	Screw-HSBH	18	119-4507	1	Plate-Latch
9	115-8819	4	Screw-HSBH	19	66-2921	2	Washer-Friction
10	115-5581	4	Washer-Flat	20	119-4506	1	Spacer-Latch
11	107069	4	Clip	21	3229-4	1	Screw-CARR



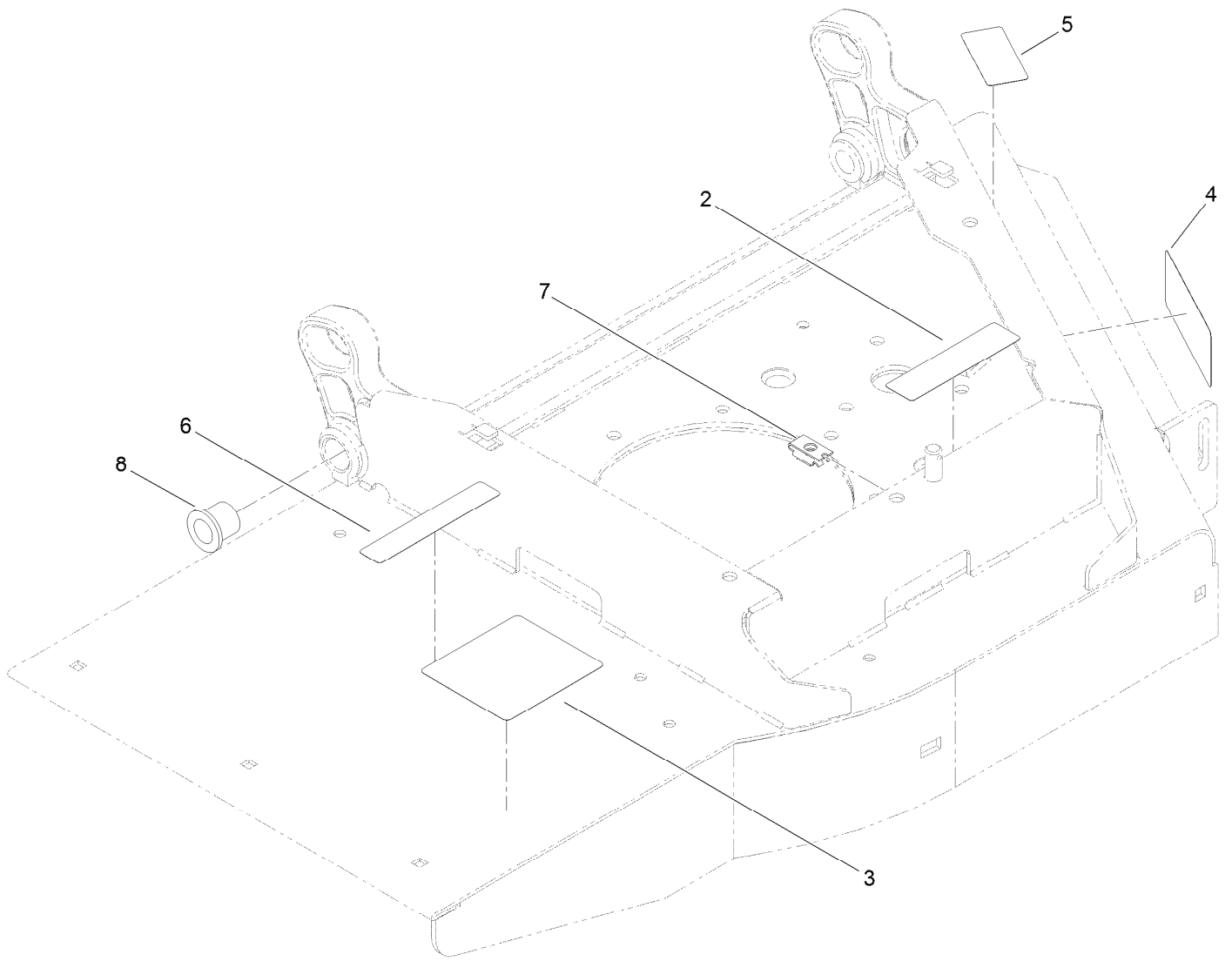
Center Deck and Winglet Assembly

<i>Ref.</i>	<i>Part Number</i>	<i>Qty.</i>	<i>Description</i>
1	110-5911	1	Center Front Deck And Decal ASM
2	110-5914	1	Right Front Deck And Decal ASM
3	110-5917	1	Left Front Deck And Decal ASM
5	69-9300	2	Pad-Bumper
6	32108-103	4	Screw-FH
7	104-8300	4	Nut-HF, NI
10	325-35	4	Screw-HH
11	99-5107	4	Nut-Lock
12	114-0714	4	Hinge Pin ASM
13	115-3367	4	Eccentric
14	302-5	4	Fitting-Grease



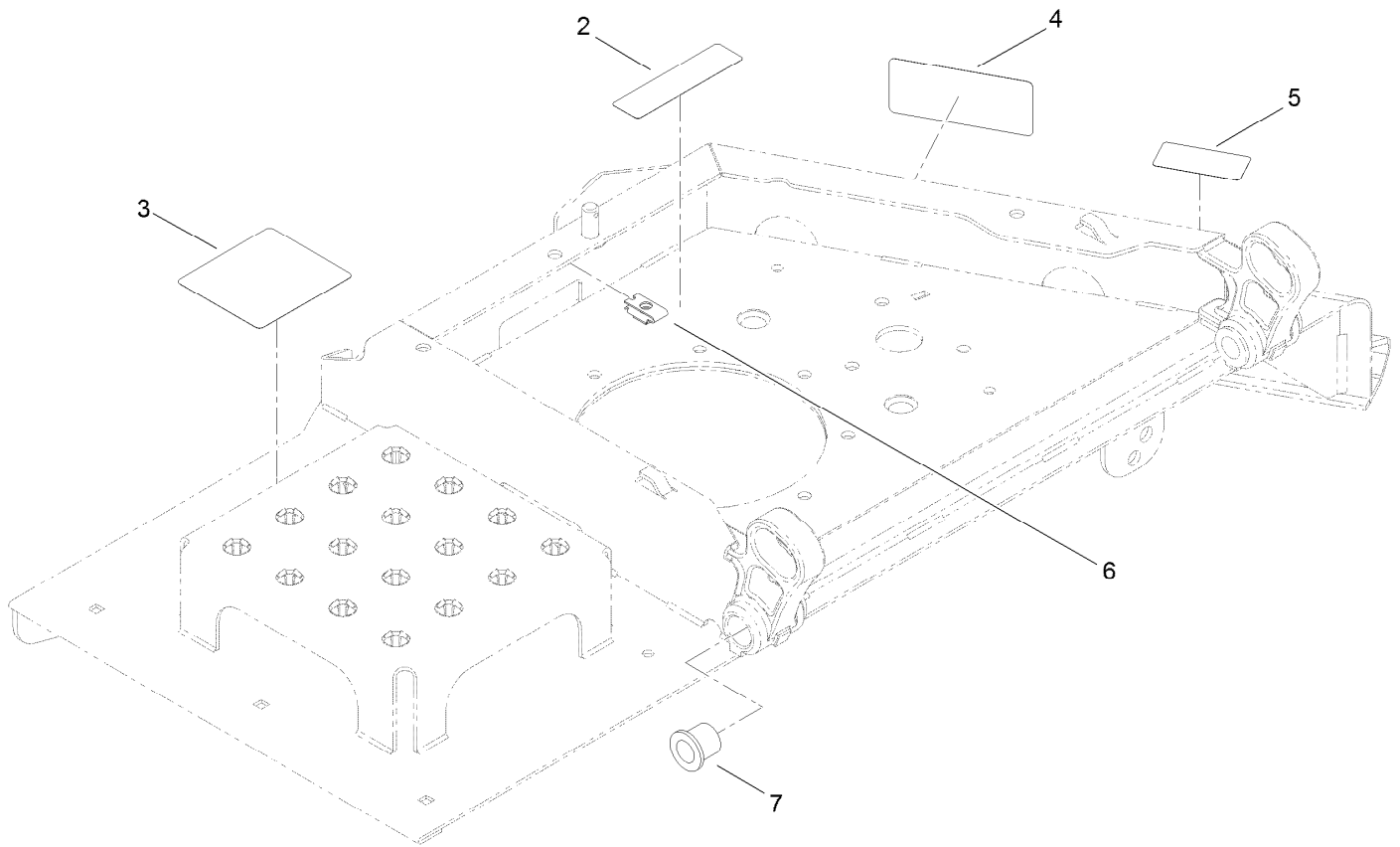
Center Front Deck and Decal Assembly No. 110-5911

<i>Ref.</i>	<i>Part Number</i>	<i>Qty.</i>	<i>Description</i>
2	117-4979	3	Decal-Warning
3	93-7818	1	Decal-Torque, Blade Bolt
4	114-0922	1	Decal-Belt Routing
5	114-0975	1	Decal-HOC
6	114-0864	1	Decal-Rear HOC, RH
7	114-0865	1	Decal-Rear HOC, LH
12	110-3510	1	Nut-Retainer



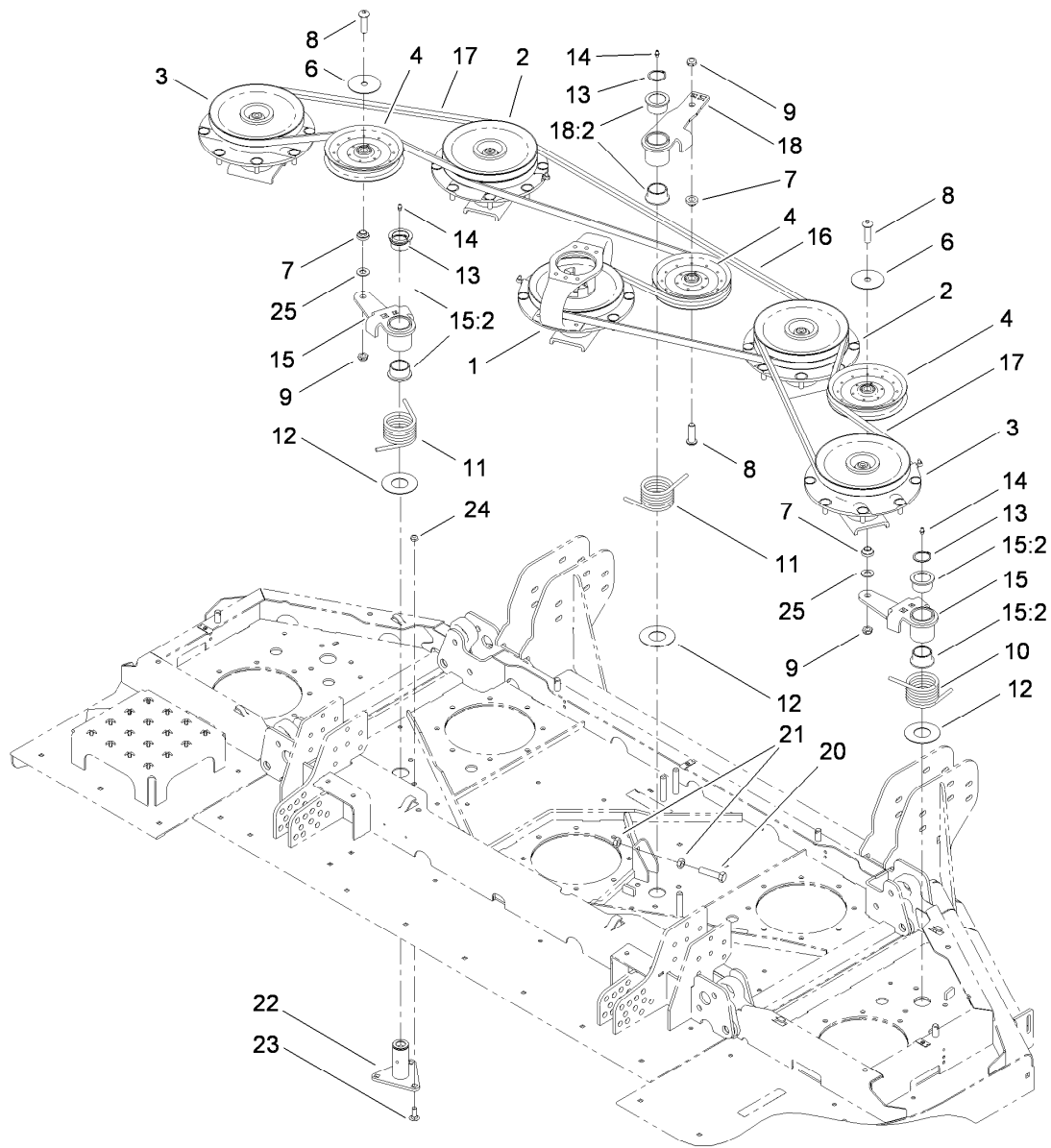
Right Front Deck and Decal Assembly No. 110-5914

<i>Ref.</i>	<i>Part Number</i>	<i>Qty.</i>	<i>Description</i>
2	117-4979	1	Decal-Warning
3	120-6604	1	Decal-Danger
4	93-7818	1	Decal-Torque, Blade Bolt
5	93-6674	1	Decal-Warning
6	93-6687	1	Decal-No Step
7	110-3510	1	Nut-Retainer
8	92-3162	4	Bushing



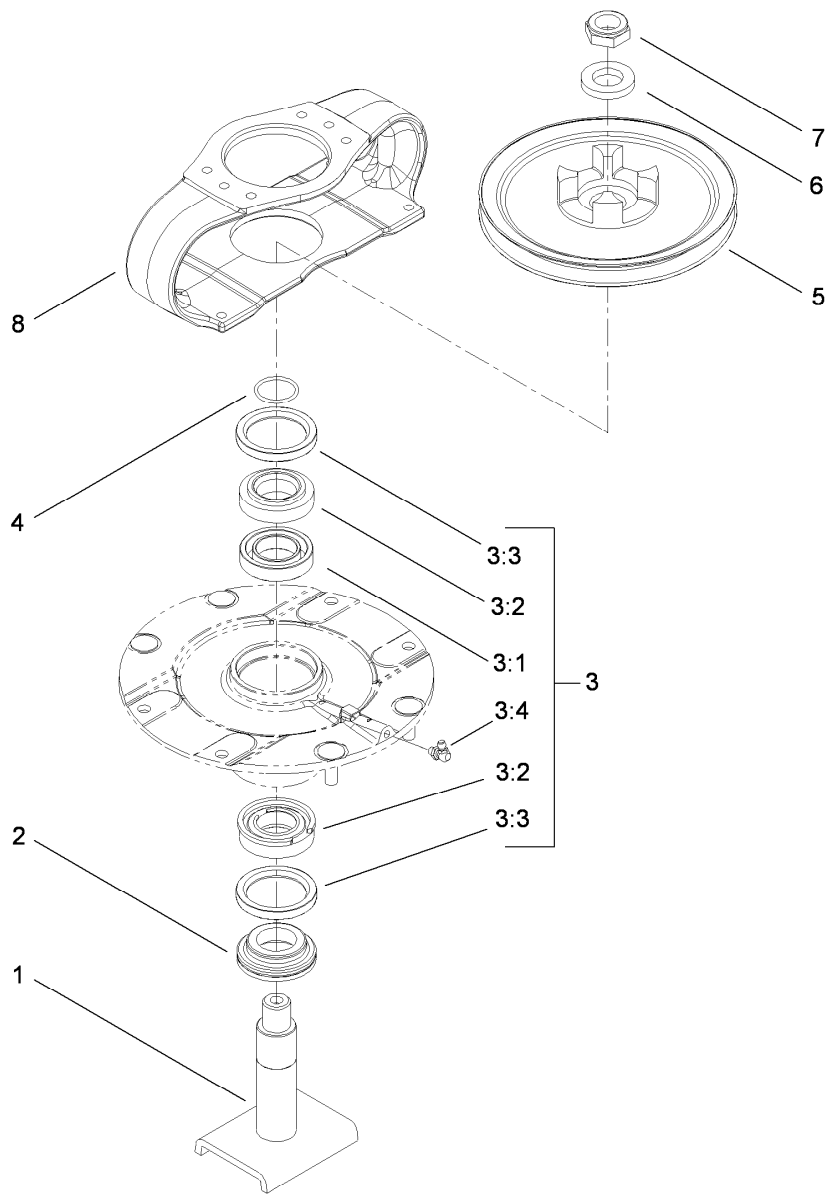
Left Front Deck and Decal Assembly No. 110-5917

<i>Ref.</i>	<i>Part Number</i>	<i>Qty.</i>	<i>Description</i>
2	117-4979	1	Decal-Warning
3	120-6604	1	Decal-Danger
4	93-7818	1	Decal-Torque, Blade Bolt
5	93-6674	1	Decal-Warning
6	110-3510	1	Nut-Retainer
7	92-3162	4	Bushing



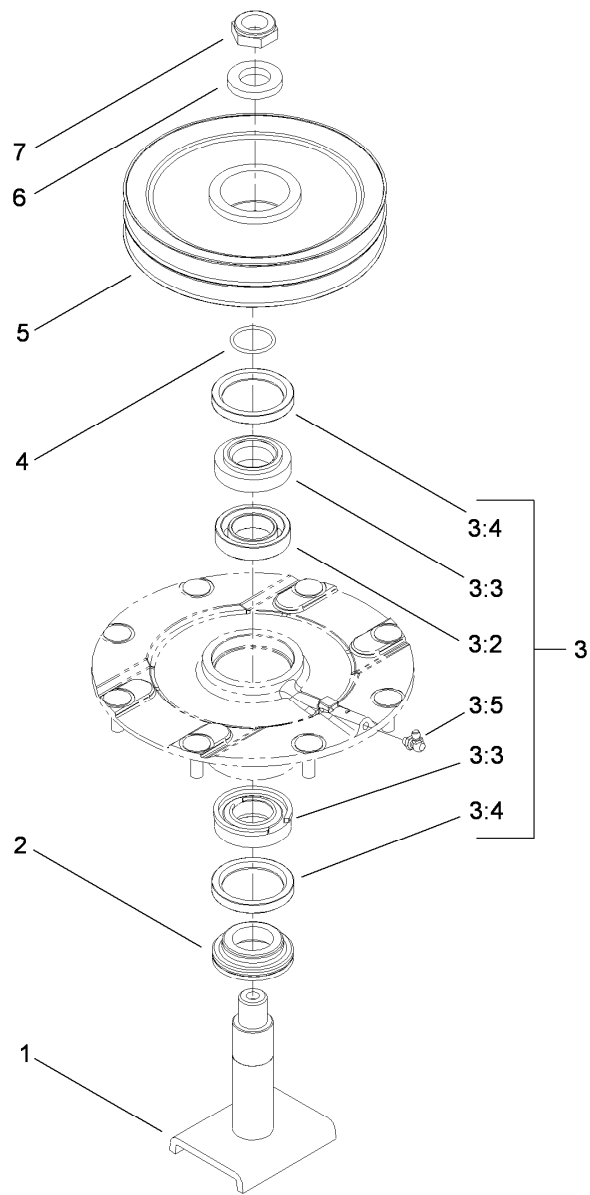
Center Deck Belt and Pulley Assembly

<i>Ref.</i>	<i>Part Number</i>	<i>Qty.</i>	<i>Description</i>	<i>Ref.</i>	<i>Part Number</i>	<i>Qty.</i>	<i>Description</i>
1	119-4547	1	Driving Spindle ASM	15	117-9176	2	Idler Arm ASM
2	119-4548	2	Double Driven Spindle ASM	15:2	93-4510	2	Bushing-Caster
3	119-4549	2	High-Driven Spindle ASM	16	112-7376	1	Belt-V, B
4	110-9596	3	Pulley-Idler	17	112-7377	2	Belt-V, B
6	100-3102	2	Washer-Flat	18	114-0100	1	High Idler Arm ASM
7	108-1924	3	Spacer-Idler	18:2	93-4510	2	Bushing-Caster
8	108-1993	3	Screw-HSBH	20	01-182-0816	1	Bolt-HH
9	3296-45	3	Nut-Hex	21	3218-5	2	Nut-Jam
10	108-1921	1	Spring-Torsion	22	114-0997	3	Pivot-Idler
11	112-7395	2	Spring-Torsion	23	3231-2	9	Bolt-CARR
12	108-1926	3	Washer	24	3296-59	9	Nut-Lock, NI
13	32120-84	3	Ring-Snap, External	25	3256-26	2	Washer-Flat
14	302-5	3	Fitting-Grease				



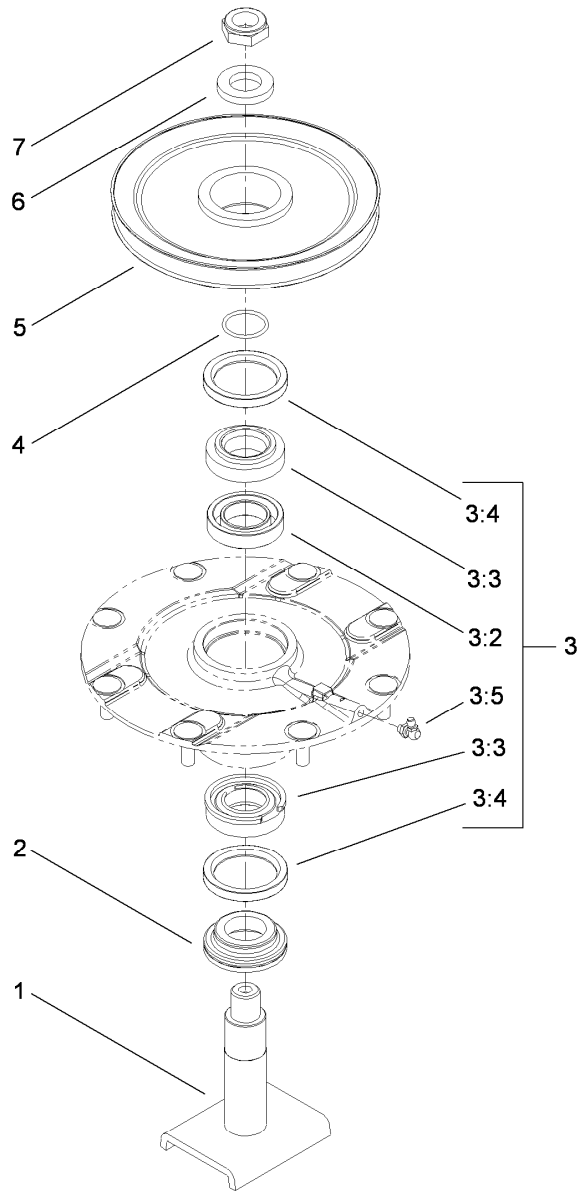
Driving Spindle Assembly No. 119-4547

<i>Ref.</i>	<i>Part Number</i>	<i>Qty.</i>	<i>Description</i>
1	104-3554	1	Shaft-Spindle
2	69-6950	1	Spacer-Shaft, Spindle
3	119-4546	1	Spindle Housing ASM
3:1	104-3549	1	Bearing Spacer Set
3:2	110-8297	1	Bearing ASM
3:3	253-154	2	Seal-Oil
3:4	302-60	1	Fitting-Grease
4	106-7159	1	O-Ring
5	104-3545	1	Pulley-Driving
6	104-8322	1	Washer-Hardened
7	3296-60	1	Nut-Lock, NI
8	104-3544	1	Mount-Motor, Drive



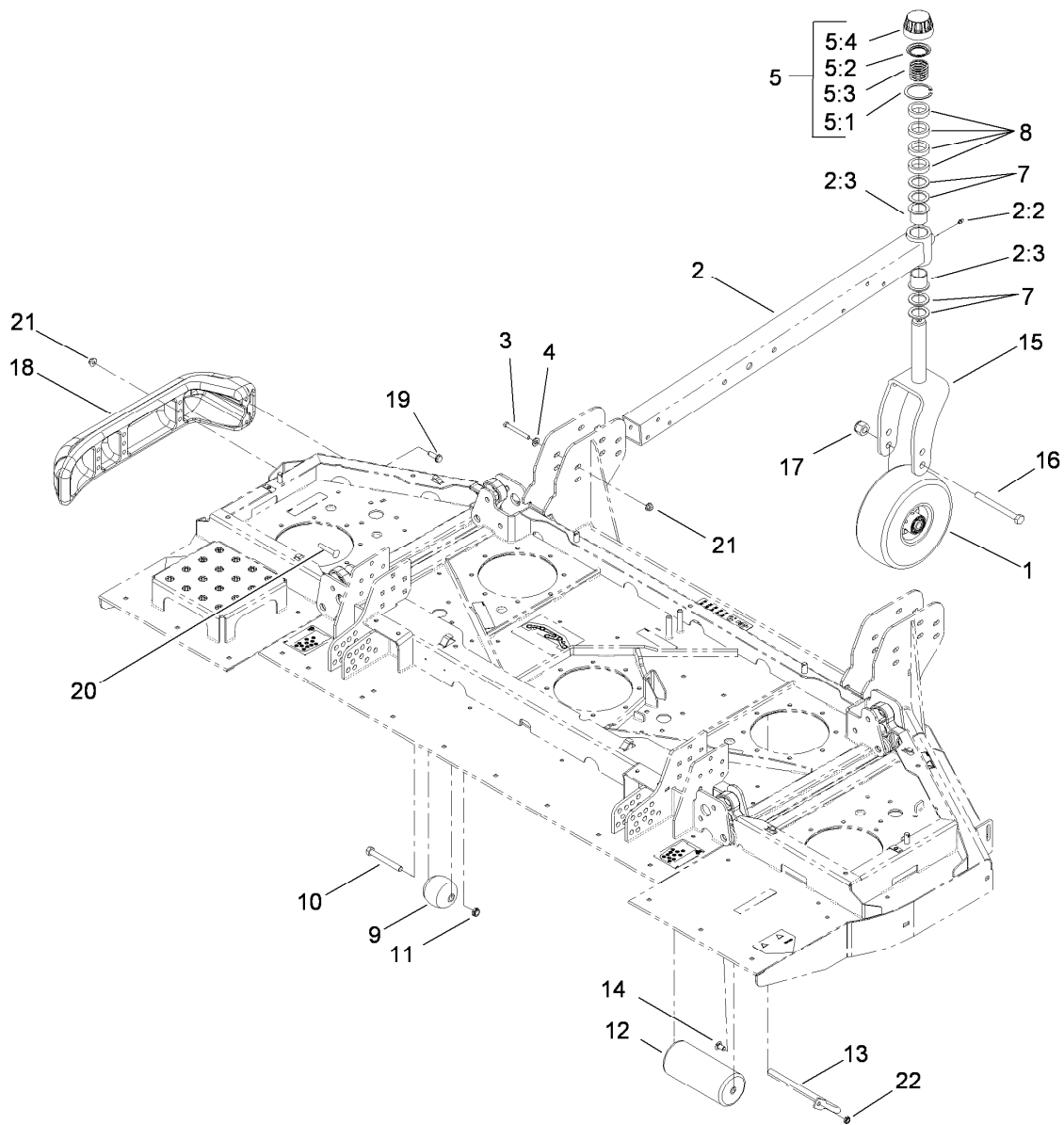
Double Driven Spindle Assembly No. 119-4548

<i>Ref.</i>	<i>Part Number</i>	<i>Qty.</i>	<i>Description</i>
1	104-3554	1	Shaft-Spindle
2	69-6950	1	Spacer-Shaft, Spindle
3	119-4775	1	Spindle Housing ASM
3:2	104-3549	1	Bearing Spacer Set
3:3	110-8297	1	Bearing ASM
3:4	253-154	2	Seal-Oil
3:5	302-60	1	Fitting-Grease
4	106-7159	1	O-Ring
5	104-3547	1	Pulley-Driven, Double
6	104-8322	1	Washer-Hardened
7	3296-60	1	Nut-Lock, NI



High Driven Spindle Assembly No. 119-4549

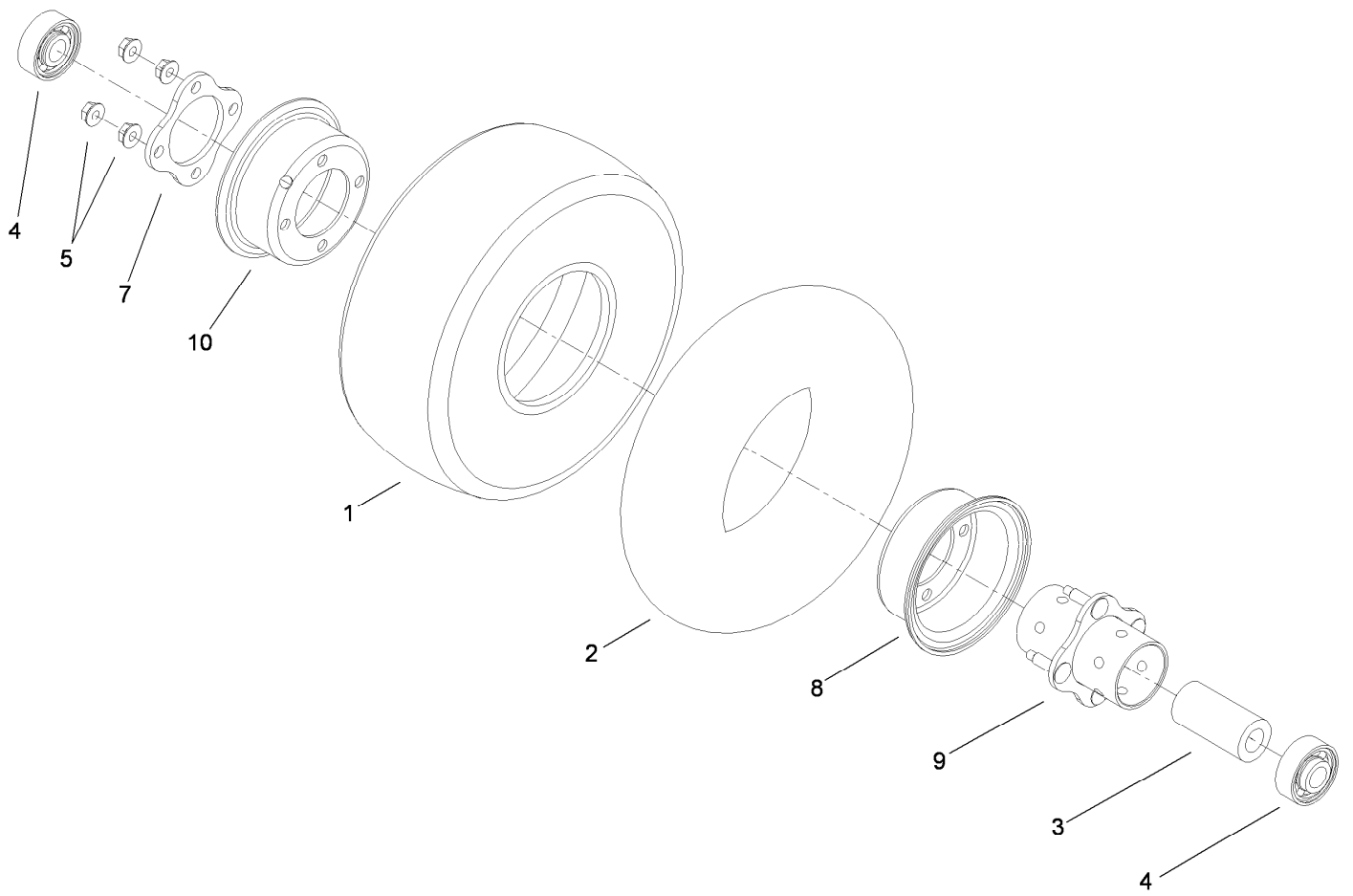
<i>Ref.</i>	<i>Part Number</i>	<i>Qty.</i>	<i>Description</i>
1	104-3554	1	Shaft-Spindle
2	69-6950	1	Spacer-Shaft, Spindle
3	119-4775	1	Spindle Housing ASM
3:2	104-3549	1	Bearing Spacer Set
3:3	110-8297	1	Bearing ASM
3:4	253-154	2	Seal-Oil
3:5	302-60	1	Fitting-Grease
4	106-7159	1	O-Ring
5	104-3548	1	Pulley-Driven, High
6	104-8322	1	Washer-Hardened
7	3296-60	1	Nut-Lock, NI



Center Deck Roller, Skid and Caster Wheel Assembly

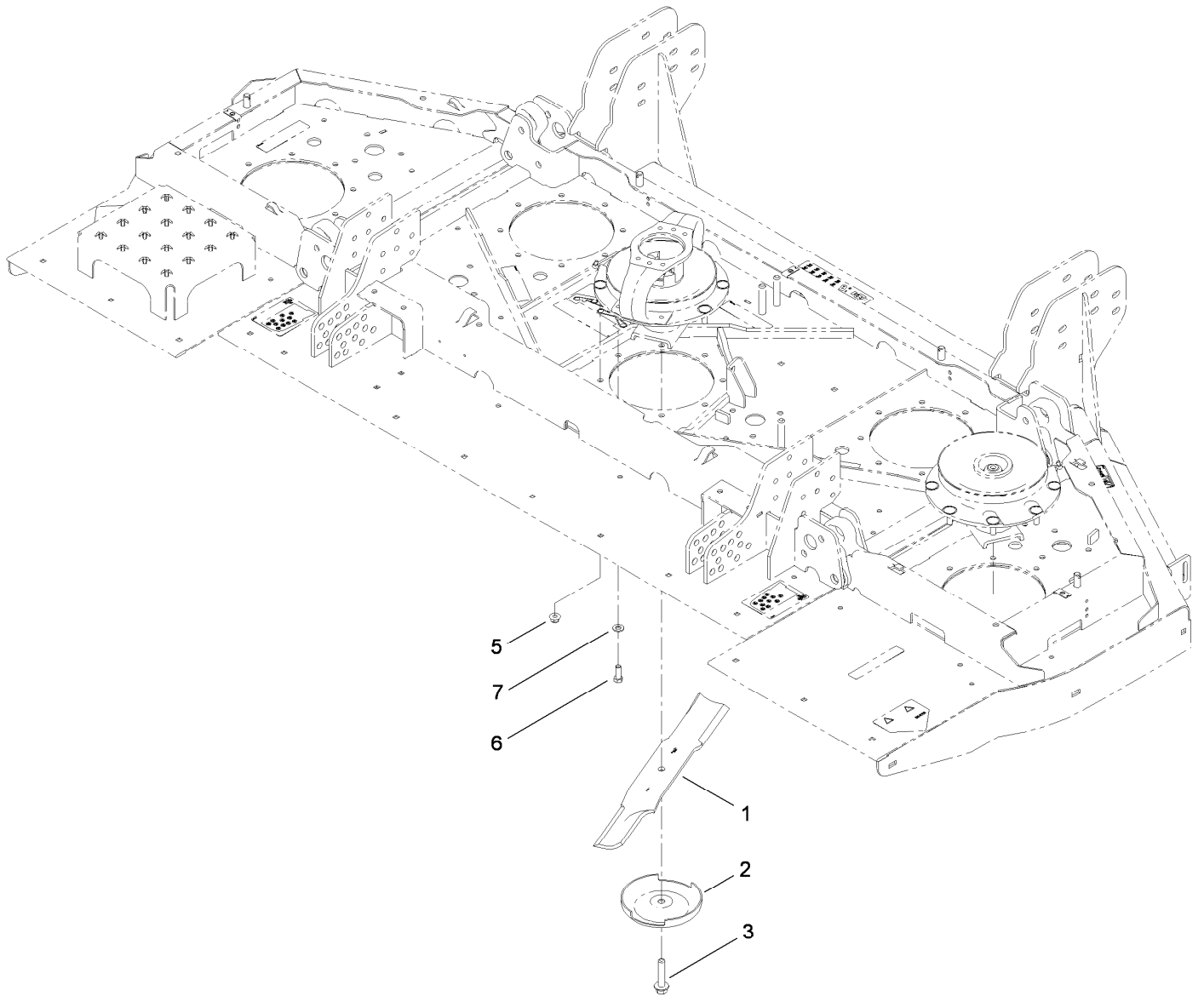
Ref.	Part Number	Qty.	Description
1	93-4240	2	10 Inch Wheel ASM
2	114-4885	2	Front Castor Arm ASM
2:2	302-5	1	Fitting-Grease
2:3	69-6470	2	Bushing-Castor
3	323-42	12	Screw-HH
4	3256-24	12	Washer-Flat
5	92-9727	2	HOC Cap ASM
5:1	92-5581	1	Ring-Retaining
5:2	92-5583	1	Washer-Cap
5:3	92-9726	1	Spring-Compression
5:4	92-8861	1	Cap-HOC
7	69-6860	8	Washer-Thrust
8	69-1510	8	Spacer
9	29-4820	2	Roller

Ref.	Part Number	Qty.	Description
10	325-17	2	Screw-HH
11	3296-45	2	Nut-Hex
12	68-6710	1	Roller
13	68-6840	1	Shaft-Roller
14	3231-21	1	Screw-CARR
15	110-5999-01	2	Castor Fork ASM
16	327-24	2	Screw-HH
17	3296-53	2	Nut-Lock, NI
18	112-1479	2	Skid-Bumper, Deck
19	9136144	2	Screw-HWHTF
20	3231-33	4	Screw-CARR
21	104-8301	16	Nut-HF, NI
22	3296-59	1	Nut-Lock, NI



10 Inch Wheel Assembly No. 93-4240

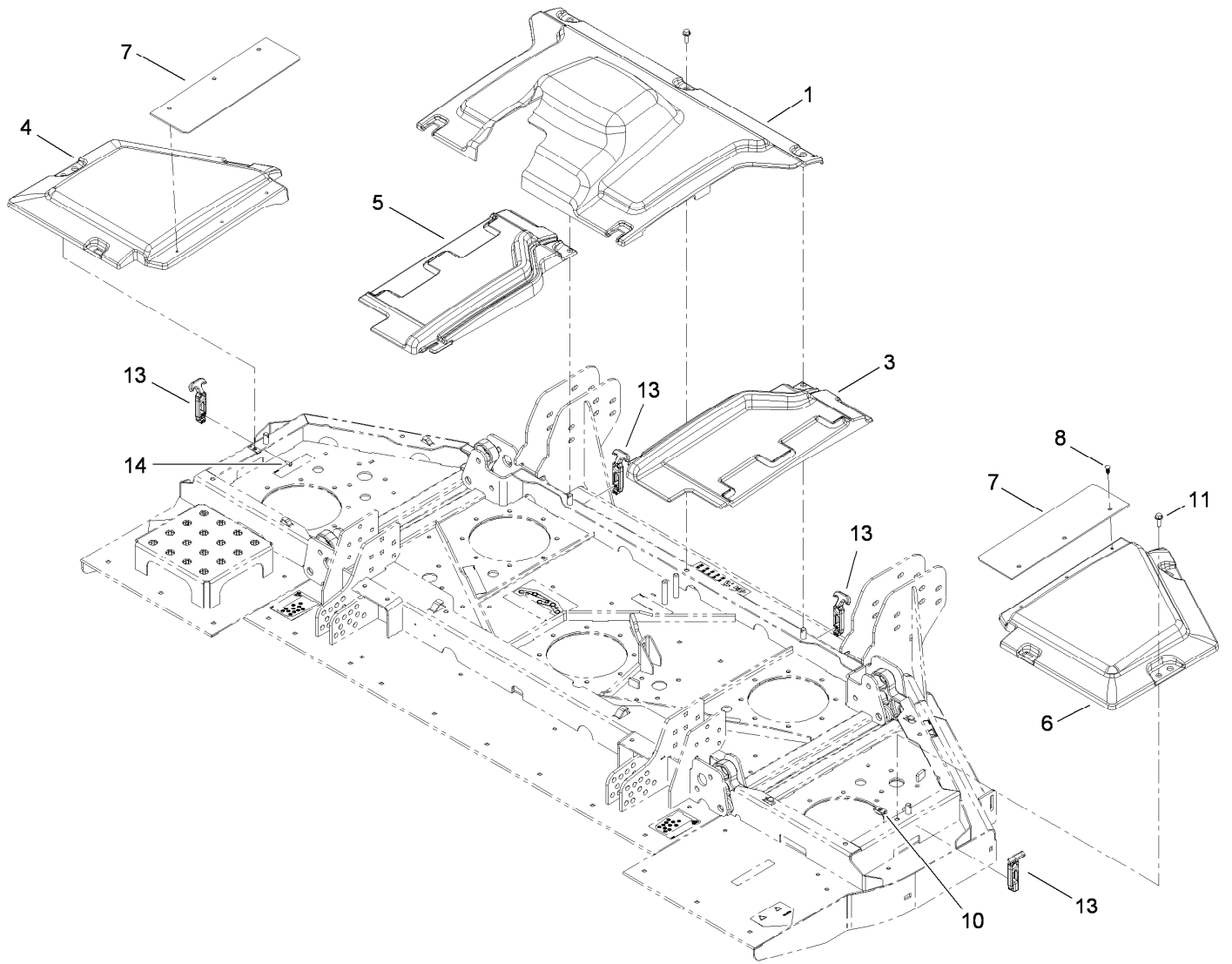
<i>Ref.</i>	<i>Part Number</i>	<i>Qty.</i>	<i>Description</i>
1	93-4243	1	Tire
2	93-4244	1	Tube-Inner (W/Valve)
3	93-4241	1	Spacer-Bearing, Inner
4	120-3366	2	Bearing
5	32128-16	4	Nut-HHF
7	93-4242	1	Plate
8	93-4239	1	Rim-Wheel, Half
9	93-5980	1	Hub
10	95-2741	1	Rim-Wheel, Half



Center Deck Spindle and Blade Assembly

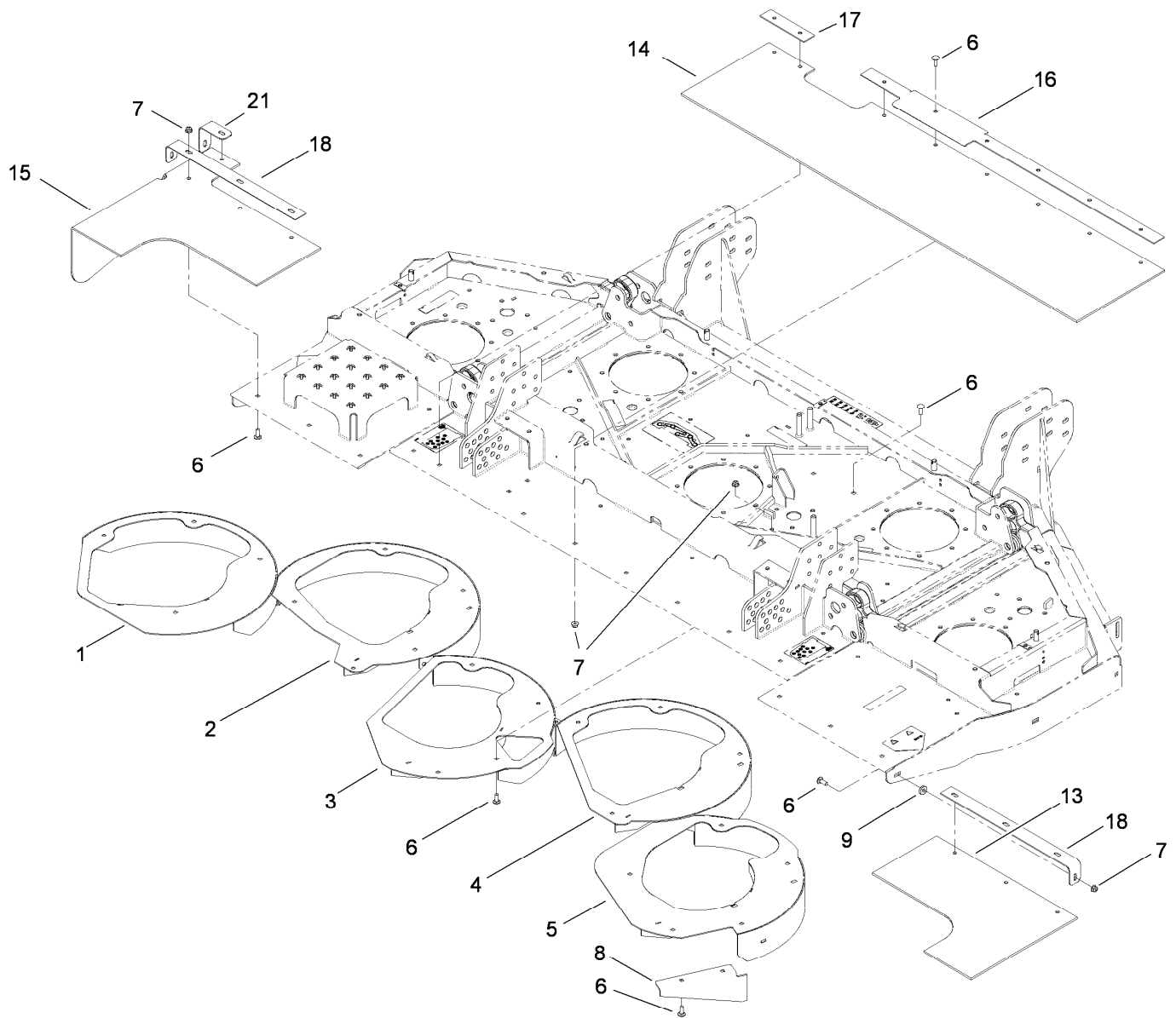
<i>Ref.</i>	<i>Part Number</i>	<i>Qty.</i>	<i>Description</i>
1	110-5946-03	5	Blade-Rotary
1	110-5948-03	5	Blade-Rotary, Atomic ●
2	72-9361	5	Cup-Scalp, Anti
3	92-5816	5	Bolt-Blade
5	104-8301	36	Nut-HF, NI
6	323-6	4	Screw-HH
7	3256-24	4	Washer-Flat

● Not illustrated



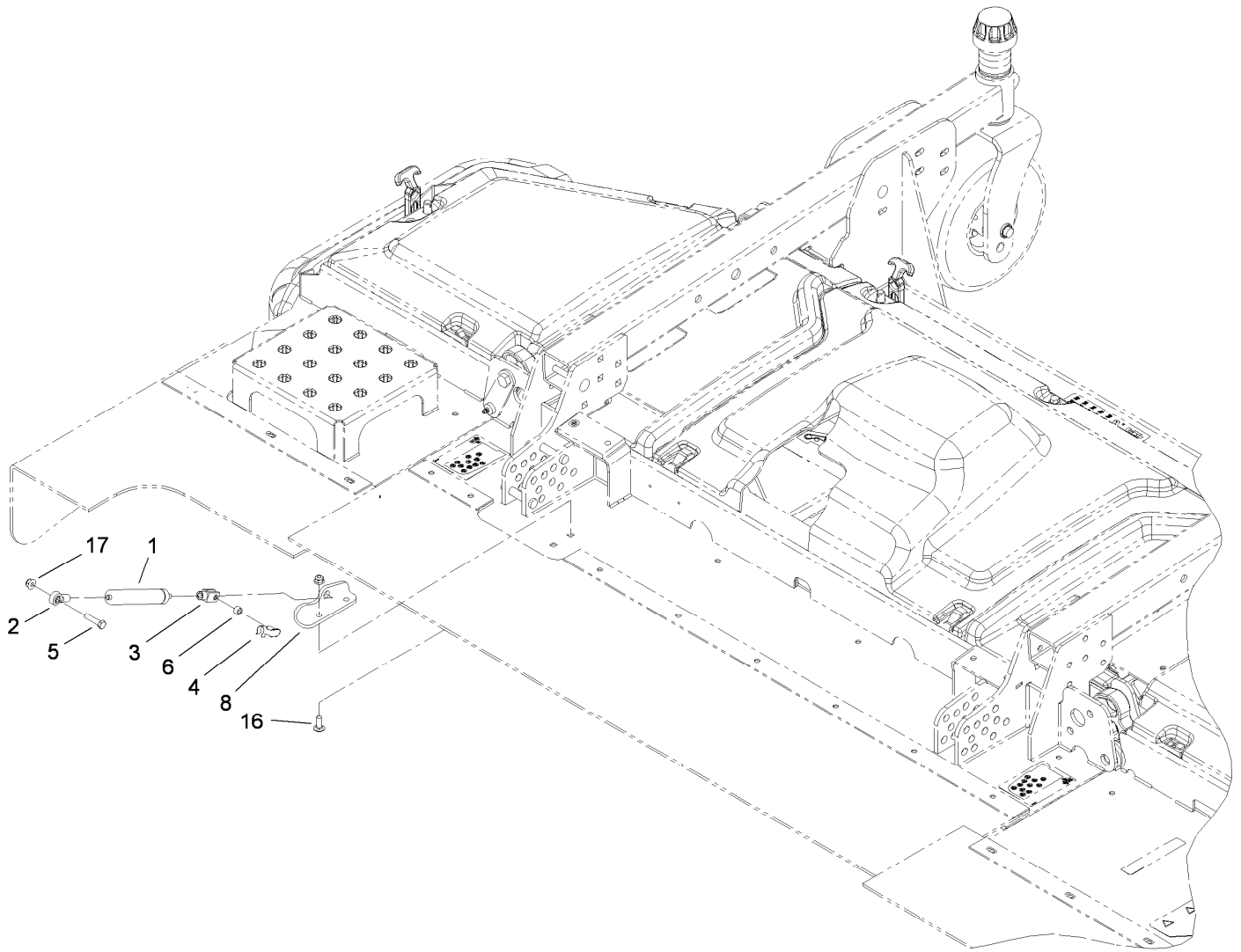
Center Deck Belt Cover Assembly

<i>Ref.</i>	<i>Part Number</i>	<i>Qty.</i>	<i>Description</i>
1	114-5630	1	Cover-Center, Front Deck
3	114-5632	1	Cover-Front Deck, RH Transition
4	114-5629	1	Cover-Front Deck, LH
5	114-5631	1	Cover-Front Deck, LH Transition
6	114-5628	1	Cover-Front Deck, RH
7	115-5424	2	Shield-Deck, Flexible
8	117-2382	6	Plug-Plastic
10	110-3510	3	Nut-Retainer
11	3234-29	3	Screw-HHF
13	103-4080	4	Latch-Rubber
14	3274-39	8	Screw-HSBH



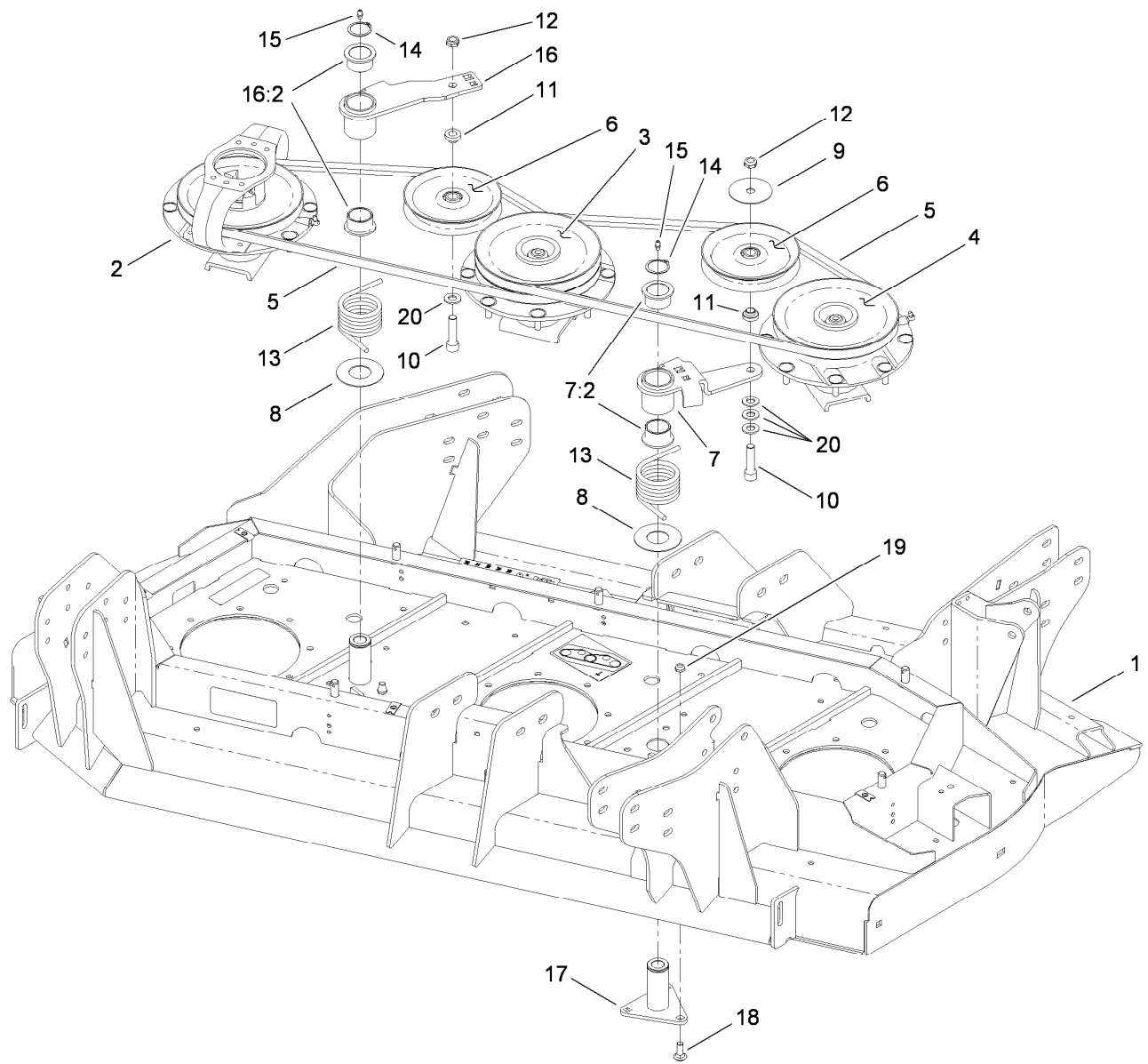
Center Deck Chamber Assembly

<i>Ref.</i>	<i>Part Number</i>	<i>Qty.</i>	<i>Description</i>	<i>Ref.</i>	<i>Part Number</i>	<i>Qty.</i>	<i>Description</i>
1	115-2100-01	1	Chamber-Outer, LH	9	104-7658	1	Spacer
2	115-2101-01	1	Chamber-Inner, LH	13	114-0891	1	Flap-Rubber, Right Winglet
3	115-2102-01	1	Chamber-Center	14	114-0890	1	Flap-Rubber, Center
4	115-2103-01	1	Chamber-Inner, RH	15	115-3389	1	Flap-Rubber, Left Winglet
5	115-2104-01	1	Chamber-Outer, RH	16	114-0884-03	1	Bar-Flap Holddown, Center
6	3230-10	43	Bolt-CARR	17	115-3390-03	1	Bar-Flap Holddown, Center
7	104-8300	43	Nut-HF, NI	18	114-0885-03	2	Bar-Flap Holddown, Outer
8	115-2147-01	1	Baffle-Deflector	21	115-5444-03	1	Strap-Deflector



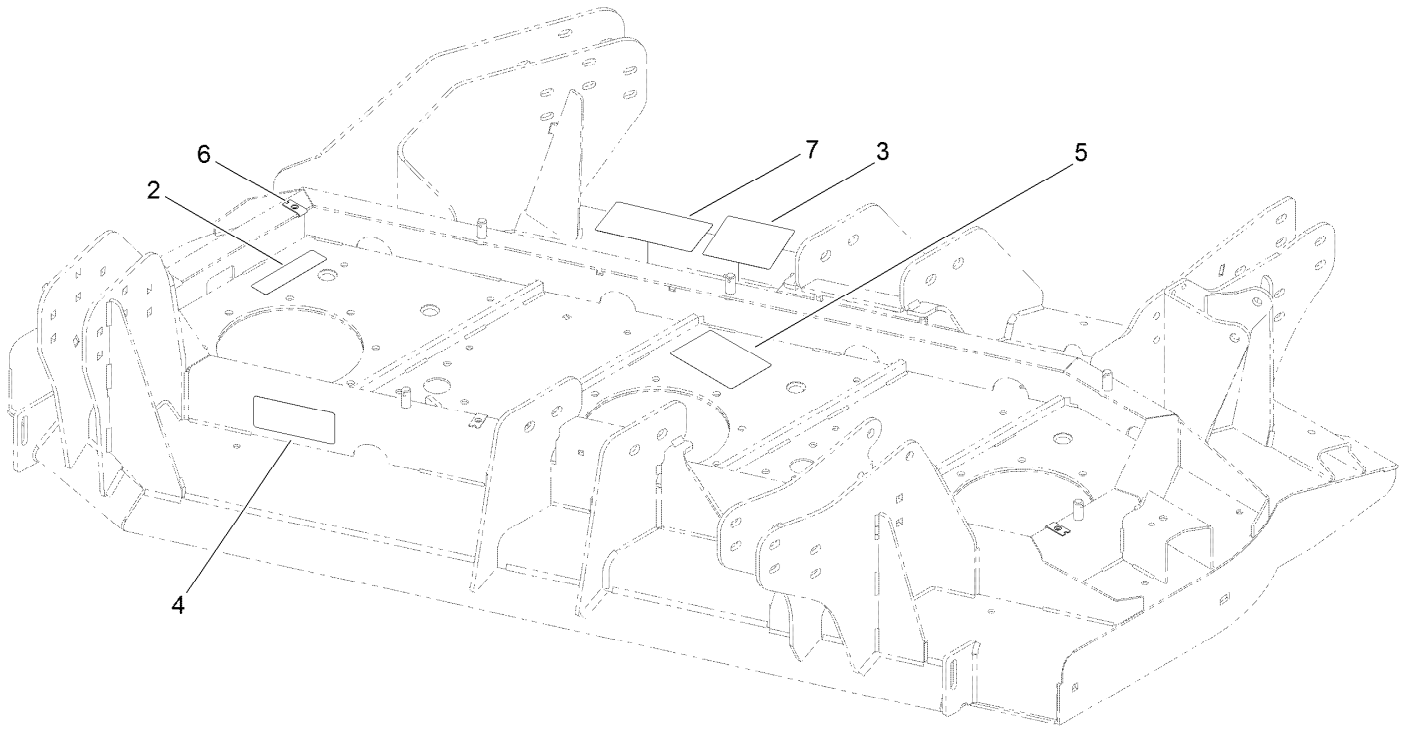
Center Deck Transport Damper Assembly

<i>Ref.</i>	<i>Part Number</i>	<i>Qty.</i>	<i>Description</i>
1	105-3249	1	Damper
2	104-8331	1	End-Rod, Spherical
3	115-5455	1	End-Rod, Clevis
4	115-5454	1	Pin-Spring
5	322-17	1	Screw-HH
6	115-2142	1	Spacer
8	115-5452-01	1	Mount-Damper
16	3230-10	2	Bolt-CARR
17	104-8300	3	Nut-HF, NI



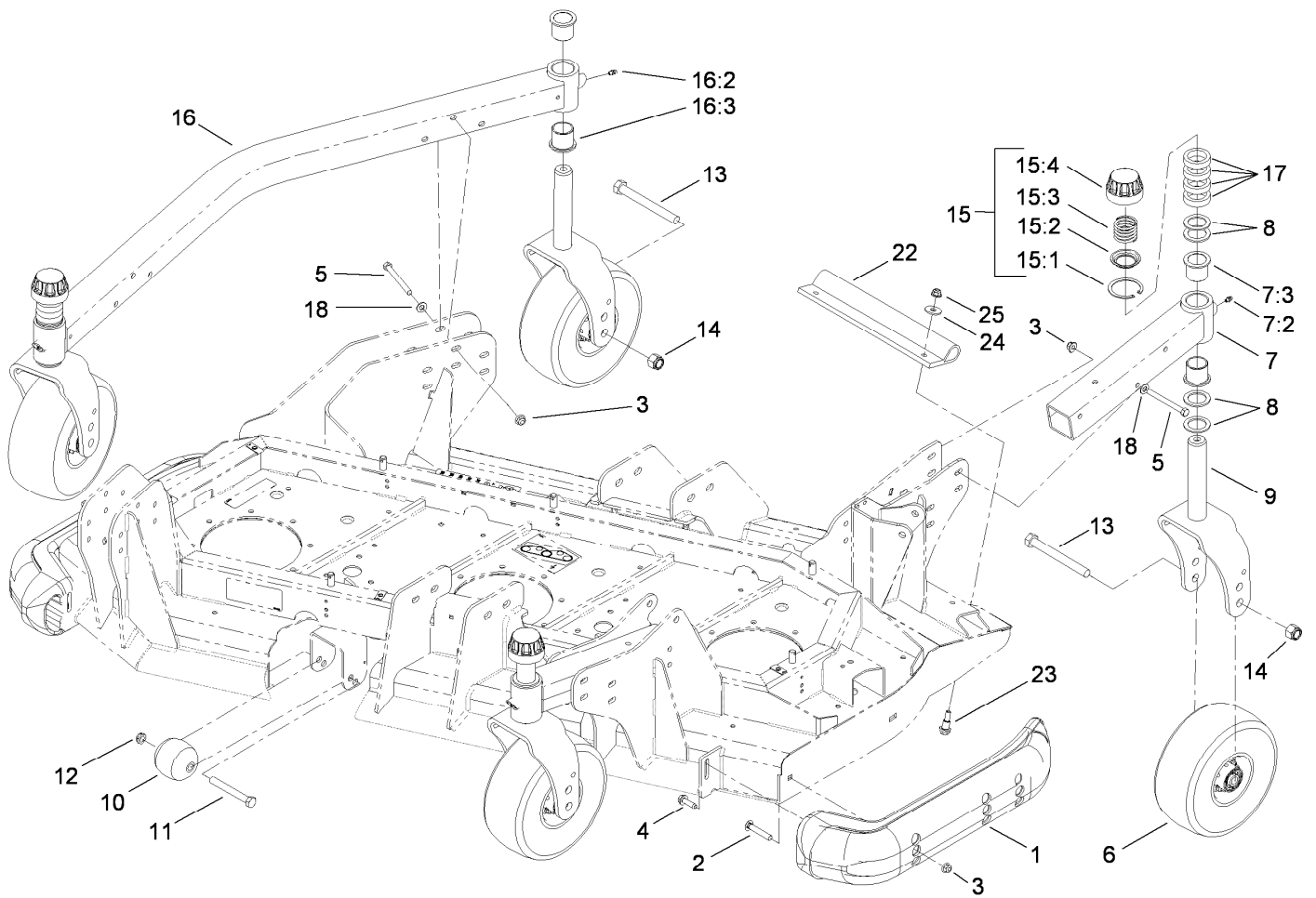
Right Deck Belt and Pulley Assembly

<i>Ref.</i>	<i>Part Number</i>	<i>Qty.</i>	<i>Description</i>	<i>Ref.</i>	<i>Part Number</i>	<i>Qty.</i>	<i>Description</i>
1	110-5921	1	Right Deck And Decal ASM	11	108-1924	2	Spacer-Idler
2	119-4547	1	Driving Spindle ASM	12	3296-45	2	Nut-Hex
3	119-4548	1	Double Driven Spindle ASM	13	108-1921	2	Spring-Torsion
4	119-4549	1	High-Driven Spindle ASM	14	32120-84	2	Ring-Snap, External
5	112-7377	2	Belt-V, B	15	302-5	2	Fitting-Grease
6	01-268-0160	2	Pulley-Idler	16	108-1930	1	Idler Arm ASM
7	117-9176	1	Idler Arm ASM	16:2	93-4510	2	Bushing-Caster
7:2	93-4510	2	Bushing-Caster	17	114-0997	2	Pivot-Idler
8	108-1926	2	Washer	18	3231-2	6	Bolt-CARR
9	100-3102	1	Washer-Flat	19	3296-59	6	Nut-Lock, NI
10	3274-5	2	Screw-HSH	20	3256-26	4	Washer-Flat



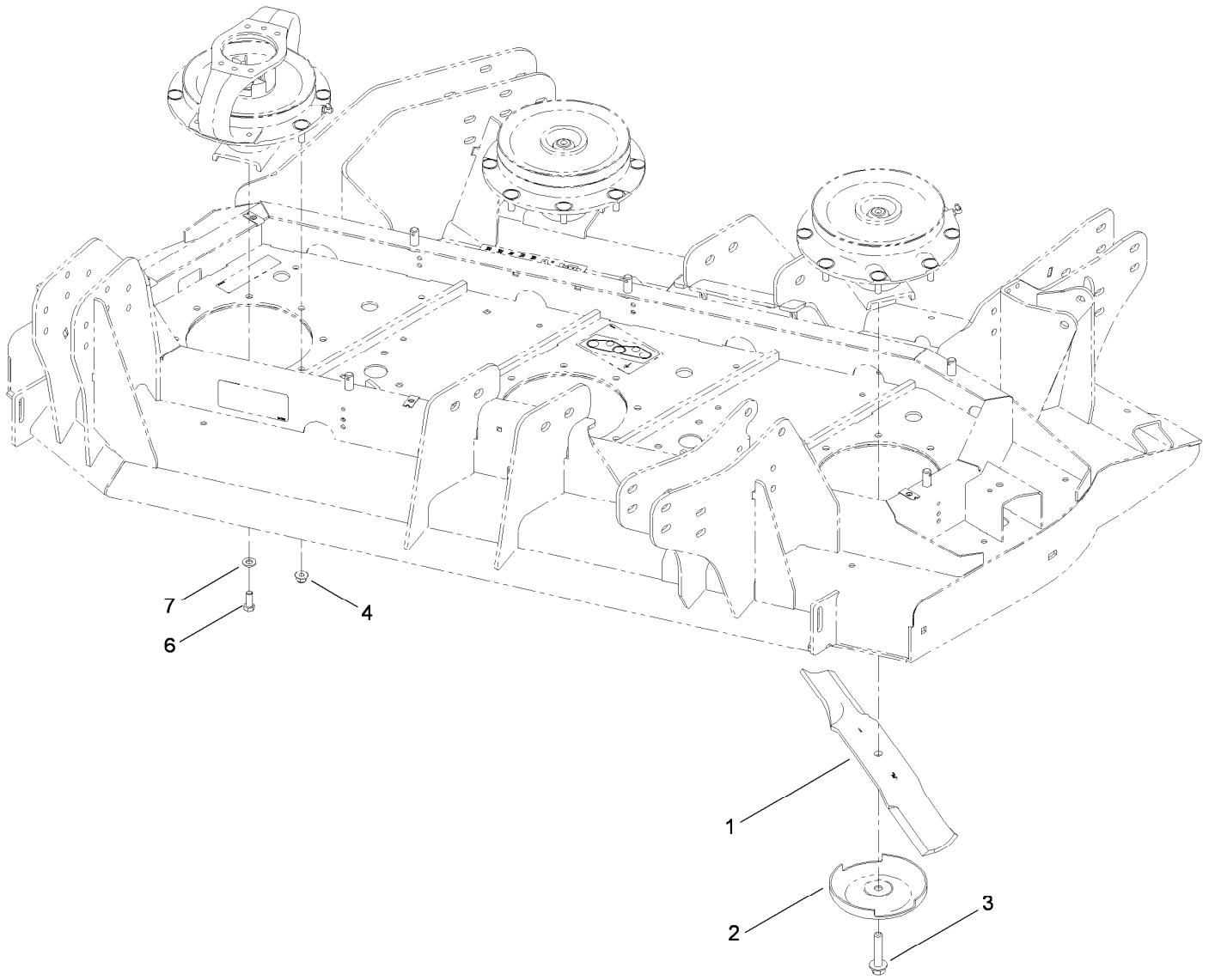
Right Deck Decal Assembly No. 110-5921

<i>Ref.</i>	<i>Part Number</i>	<i>Qty.</i>	<i>Description</i>
2	117-4979	3	Decal-Warning
3	120-6604	1	Decal-Danger
4	93-7818	1	Decal-Torque, Blade Bolt
5	114-0974	1	Decal-Belt Routing, Deck (RH)
6	110-3510	4	Nut-Retainer
7	114-0975	1	Decal-HOC



Right Deck Roller, Skid and Caster Wheel Assembly

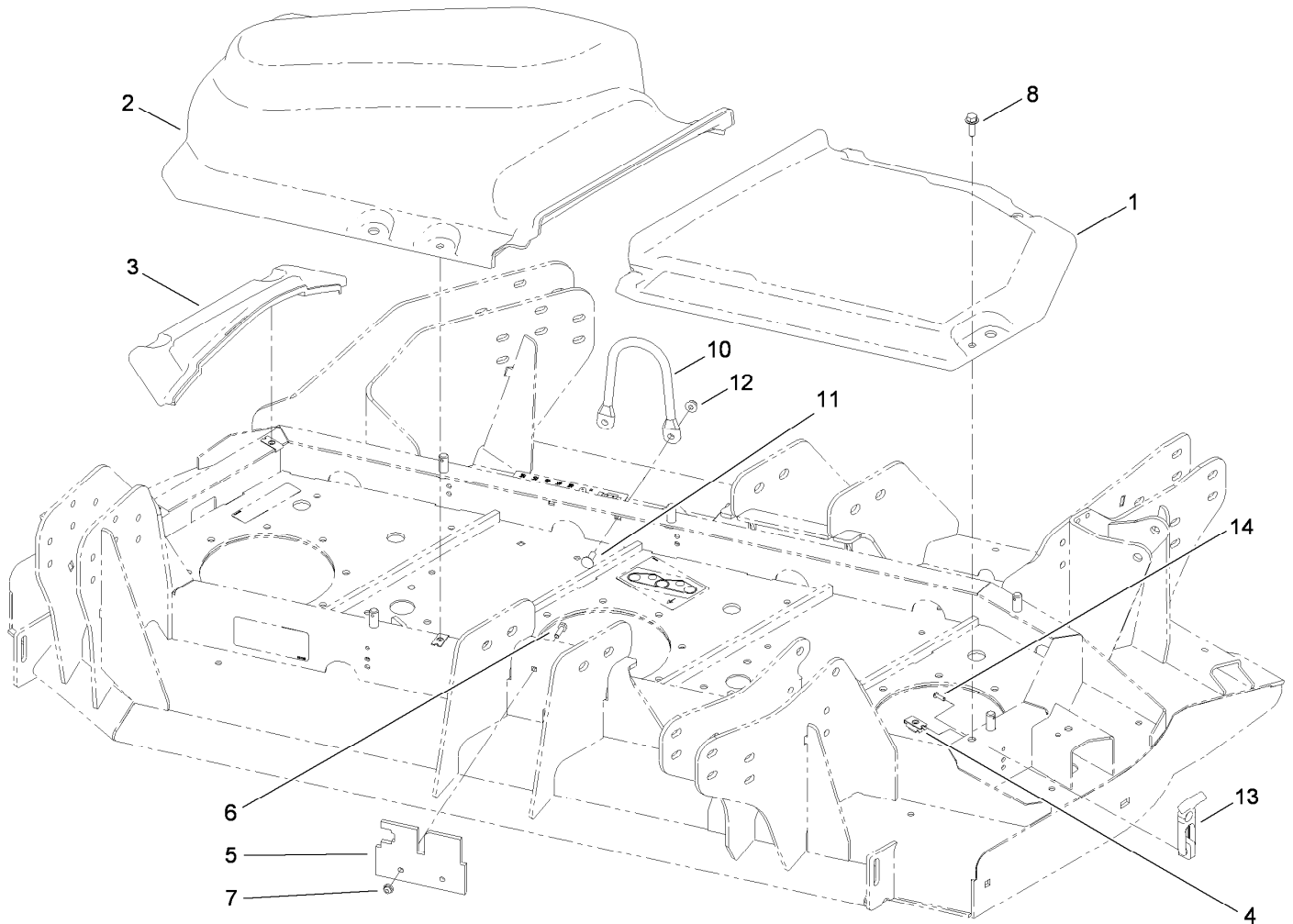
<i>Ref.</i>	<i>Part Number</i>	<i>Qty.</i>	<i>Description</i>	<i>Ref.</i>	<i>Part Number</i>	<i>Qty.</i>	<i>Description</i>
1	112-1479	2	Skid-Bumper, Deck	14	3296-53	4	Nut-Lock, NI
2	3231-33	4	Screw-CARR	15	92-9727	4	HOC Cap ASM
3	104-8301	16	Nut-HF, NI	15:1	92-5581	1	Ring-Retaining
4	9136144	2	Screw-HWHTF	15:2	92-5583	1	Washer-Cap
5	323-42	12	Screw-HH	15:3	92-9726	1	Spring-Compression
6	93-4240	4	10 Inch Wheel ASM	15:4	92-8861	1	Cap-HOC
7	110-6040	2	Castor Arm ASM	16	114-0953	1	HOC Castor Arm ASM
7:2	302-5	1	Fitting-Grease	16:2	302-5	2	Fitting-Grease
7:3	69-6470	2	Bushing-Castor	16:3	69-6470	4	Bushing-Castor
8	69-6860	16	Washer-Thrust	17	69-1510	16	Spacer
9	110-5999-01	4	Castor Fork ASM	18	3256-24	12	Washer-Flat
10	29-4820	2	Roller	22	117-2768	1	Flap-Rubber
11	325-17	2	Screw-HH	23	104-0858	2	Bolt-Shoulder
12	3296-45	2	Nut-Hex	24	103995	2	Washer
13	327-24	4	Screw-HH	25	104-7201	2	Nut-HF



Right Deck Spindle and Blade Assembly

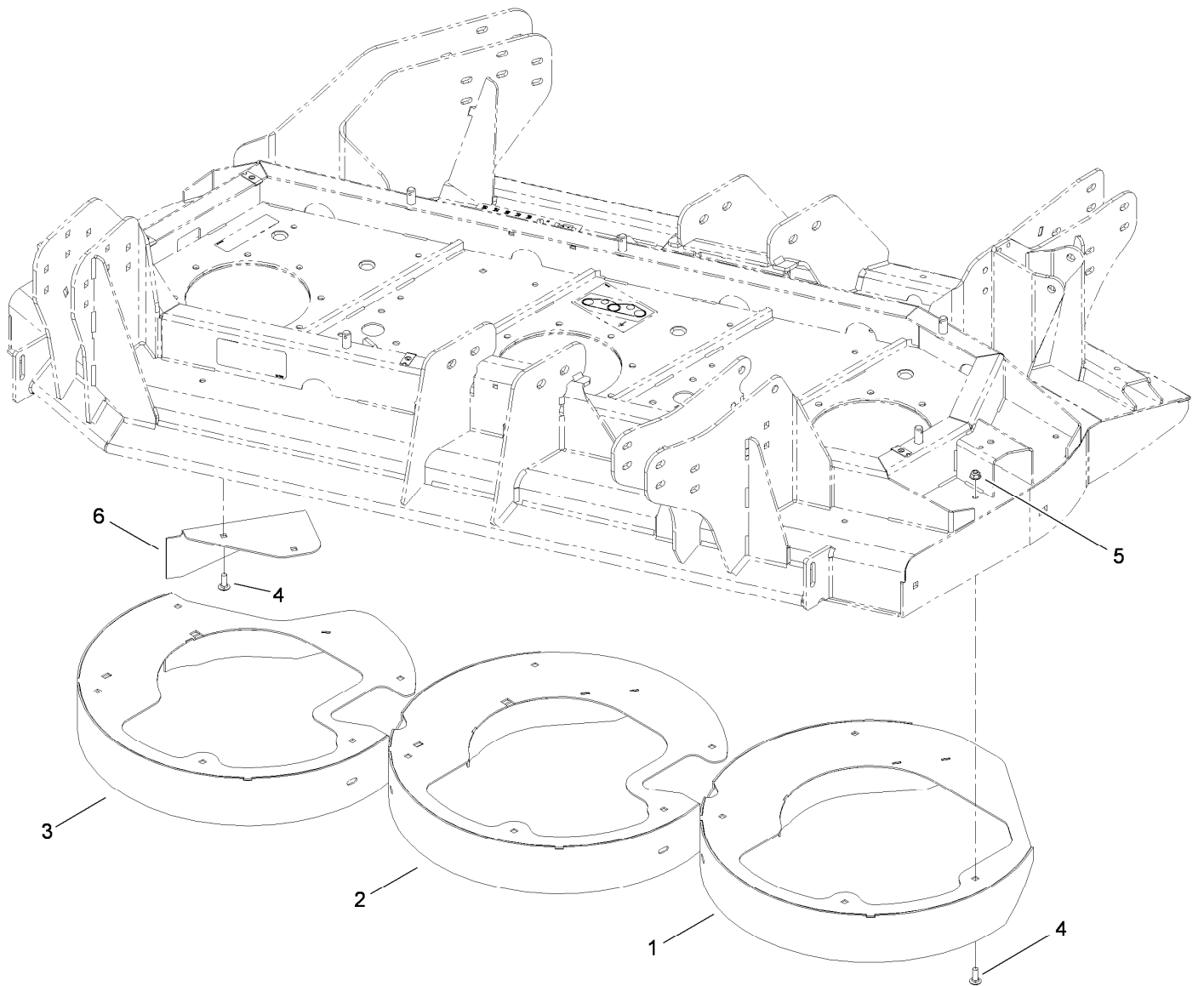
<i>Ref.</i>	<i>Part Number</i>	<i>Qty.</i>	<i>Description</i>
1	110-5946-03	3	Blade-Rotary
1	110-5948-03	3	Blade-Rotary, Atomic ●
2	72-9361	3	Cup-Scalp, Anti
3	92-5816	3	Bolt-Blade
4	104-8301	20	Nut-HF, NI
6	323-6	4	Screw-HH
7	3256-24	4	Washer-Flat

● Not illustrated



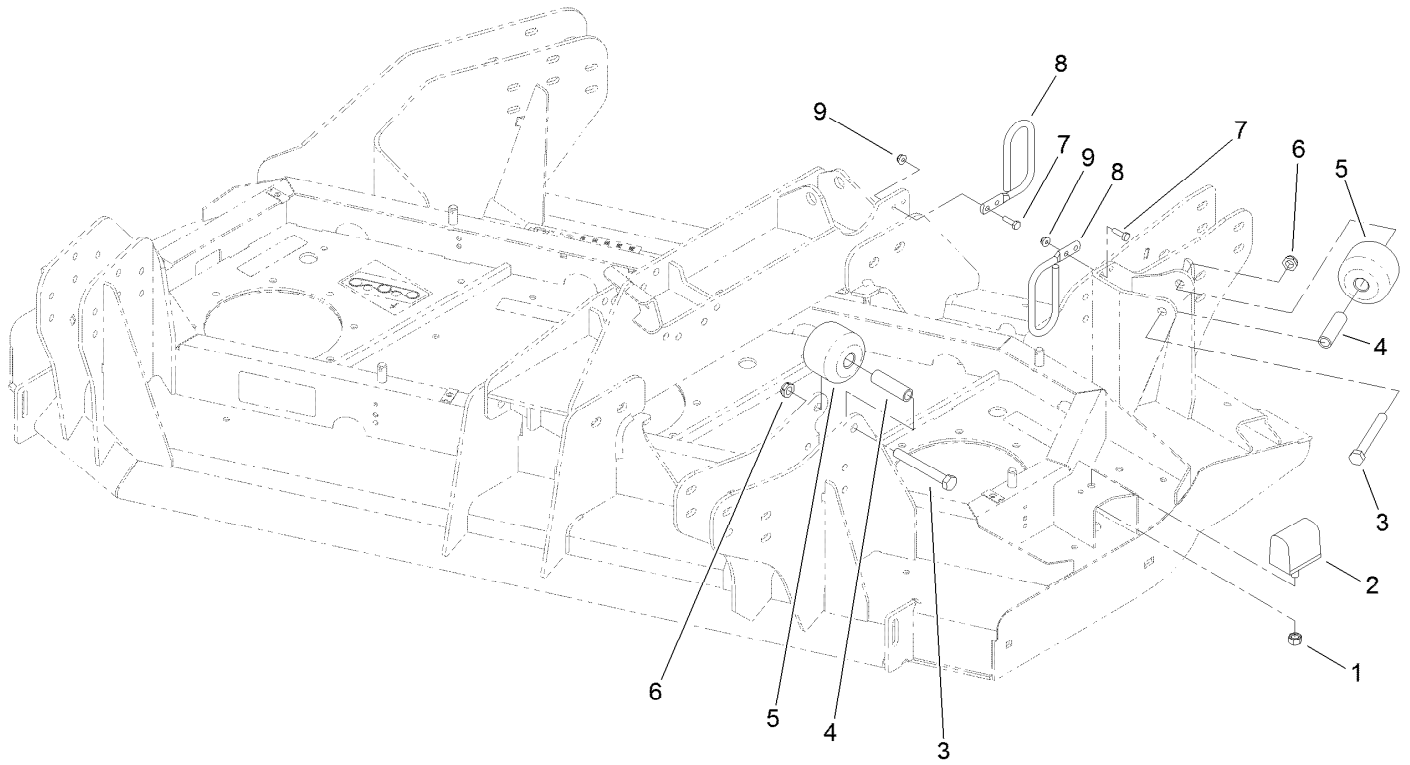
Right Deck Belt Cover Assembly

<i>Ref.</i>	<i>Part Number</i>	<i>Qty.</i>	<i>Description</i>
1	114-5635	1	Cover-Deck, RH Wing (Inside)
2	114-5636	1	Cover-Deck, RH Wing (Outside)
3	114-5638	1	Cover-Deck, RH Wing (Fixed)
4	110-3510	4	Nut-Retainer
5	115-3363	1	Deflector-Debris, Side Deck
6	321-5	2	Screw-HH
7	104-7201	2	Nut-HF
8	3234-29	4	Screw-HHF
10	115-3362	1	Guide-Hose
11	3230-10	2	Bolt-CARR
12	104-8300	2	Nut-HF, NI
13	103-4080	4	Latch-Rubber
14	3274-39	8	Screw-HSBH



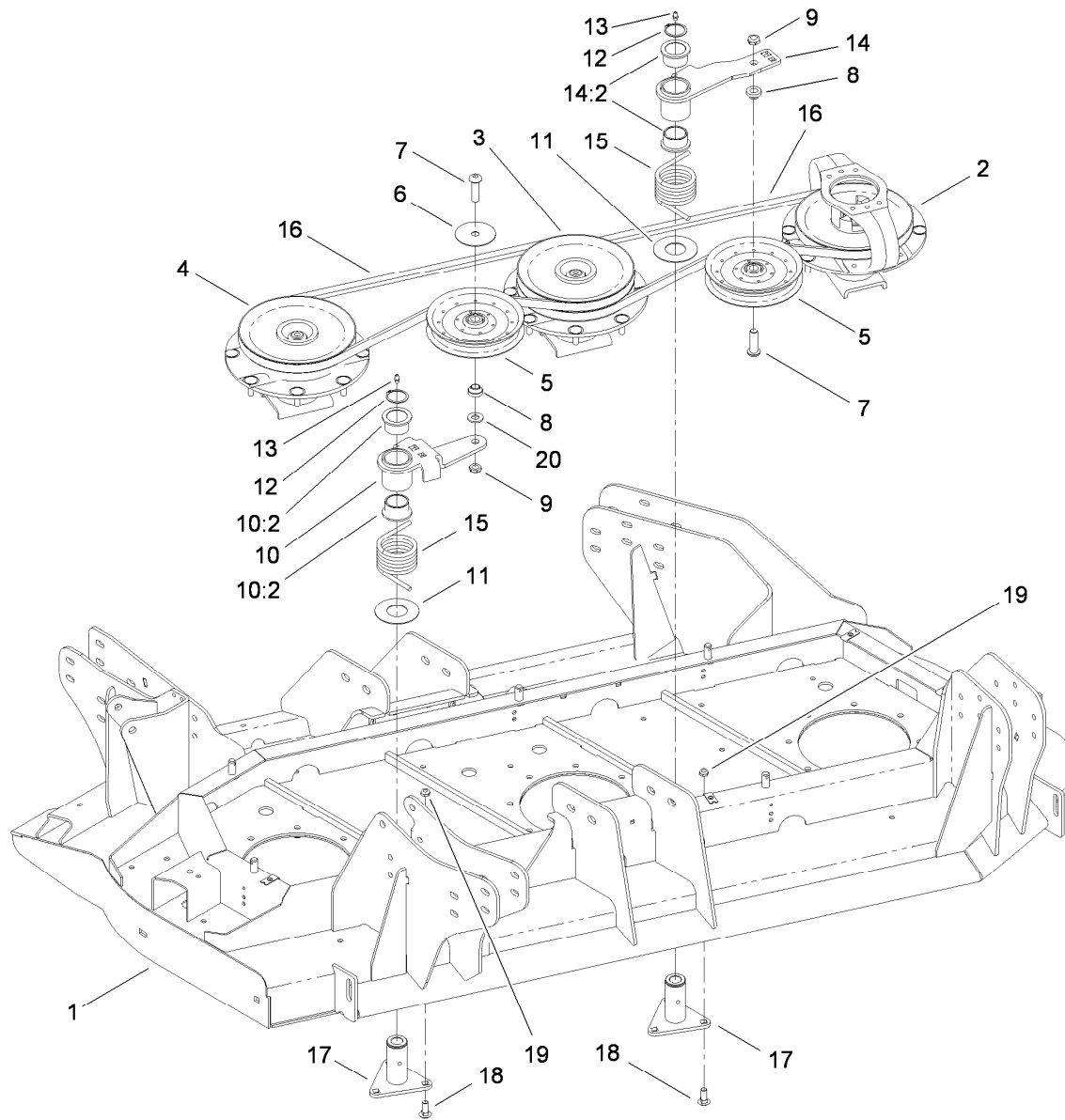
Right Deck Chamber Assembly

<i>Ref.</i>	<i>Part Number</i>	<i>Qty.</i>	<i>Description</i>
1	115-2125-01	1	Chamber-Inner, Right Deck
2	115-2126-01	1	Chamber-Center, Right Deck
3	115-2127-01	1	Chamber-Outer, Right Deck
4	3230-10	16	Bolt-CARR
5	104-8300	16	Nut-HF, NI
6	115-2146-01	1	Baffle-Deflector



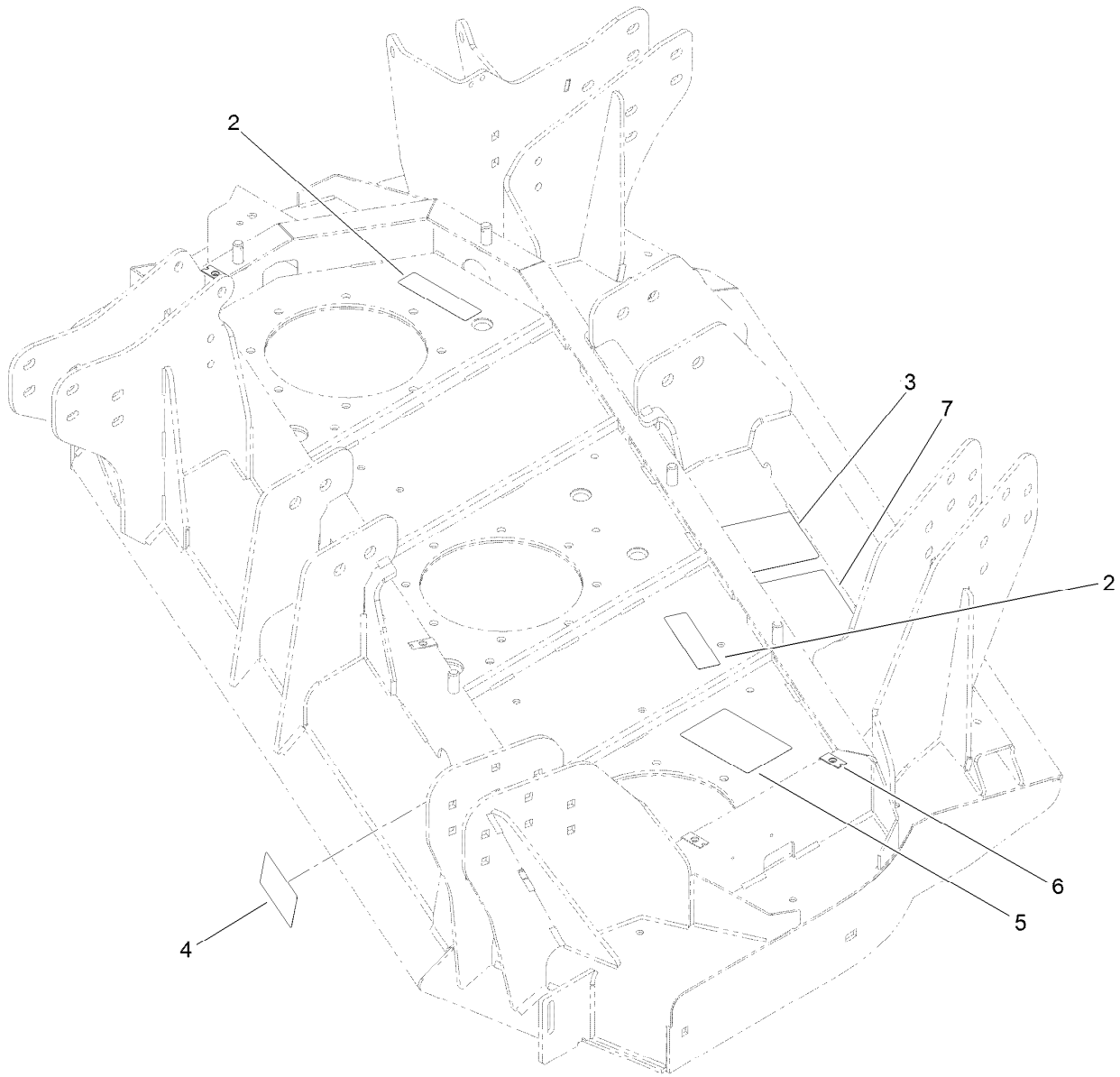
Right Deck Stop and Hose Guide Assembly

<i>Ref.</i>	<i>Part Number</i>	<i>Qty.</i>	<i>Description</i>
1	48-9520	1	Nut
2	87-3470	1	Bumper
3	325-17	2	Screw-HH
4	115-2144	2	Tube-Spacer
5	115-3366	2	Roller
6	3296-45	2	Nut-Hex
7	321-5	4	Screw-HH
8	114-5918	2	Support-Hose
9	104-7201	4	Nut-HF



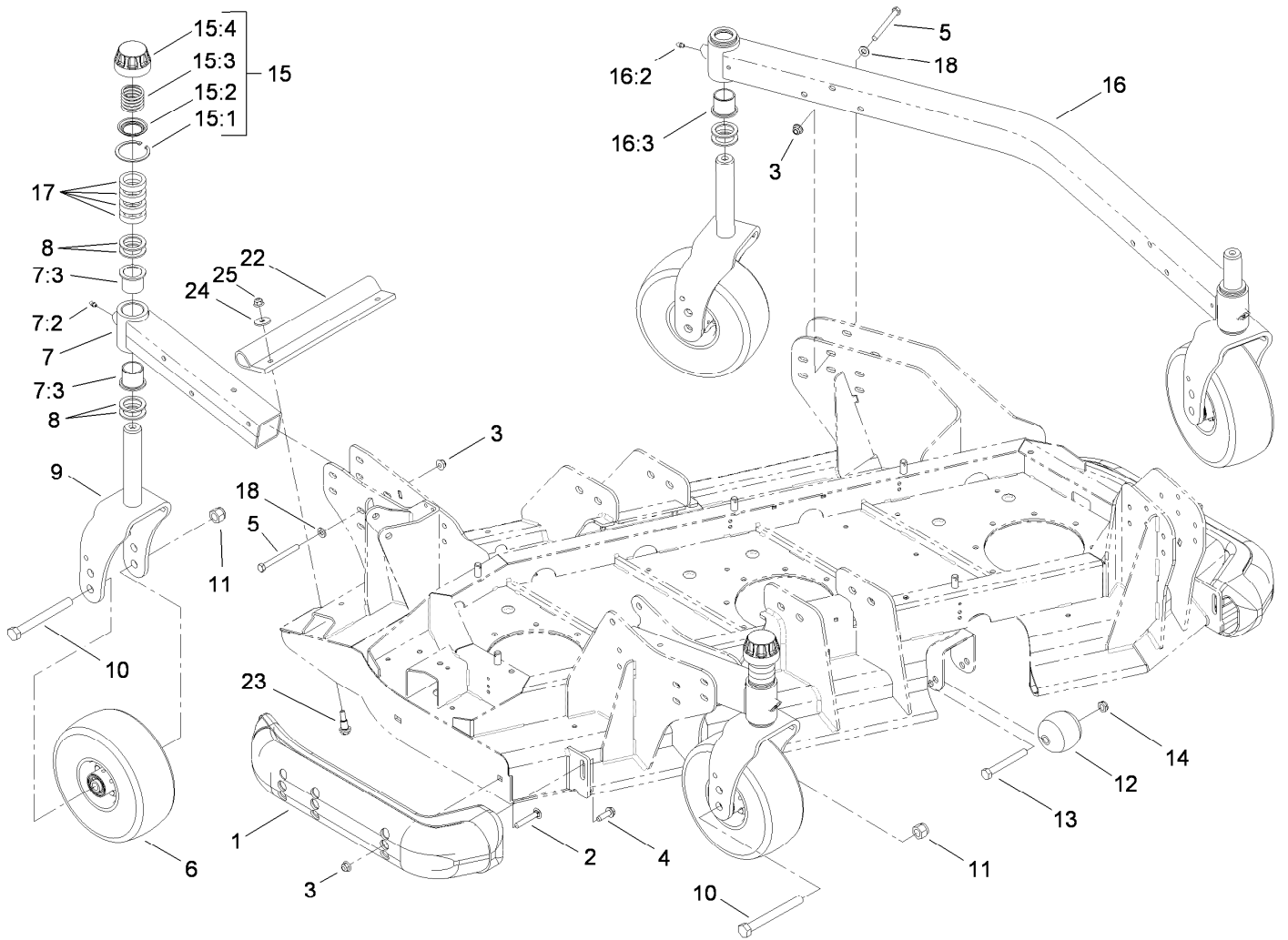
Left Deck Belt and Pulley Assembly

<i>Ref.</i>	<i>Part Number</i>	<i>Qty.</i>	<i>Description</i>	<i>Ref.</i>	<i>Part Number</i>	<i>Qty.</i>	<i>Description</i>
1	110-5931	1	Left Deck And Decal ASM	11	108-1926	2	Washer
2	119-4547	1	Driving Spindle ASM	12	32120-84	2	Ring-Snap, External
3	119-4548	1	Double Driven Spindle ASM	13	302-5	2	Fitting-Grease
4	119-4549	1	High-Driven Spindle ASM	14	108-1930	1	Idler Arm ASM
5	110-9596	2	Pulley-Idler	14:2	93-4510	2	Bushing-Caster
6	100-3102	1	Washer-Flat	15	108-1921	2	Spring-Torsion
7	108-1993	2	Screw-HSBH	16	112-7377	2	Belt-V, B
8	108-1924	2	Spacer-Idler	17	114-0997	2	Pivot-Idler
9	3296-45	2	Nut-Hex	18	3231-2	6	Bolt-CARR
10	117-9176	1	Idler Arm ASM	19	3296-59	6	Nut-Lock, NI
10:2	93-4510	2	Bushing-Caster	20	3256-26	1	Washer-Flat



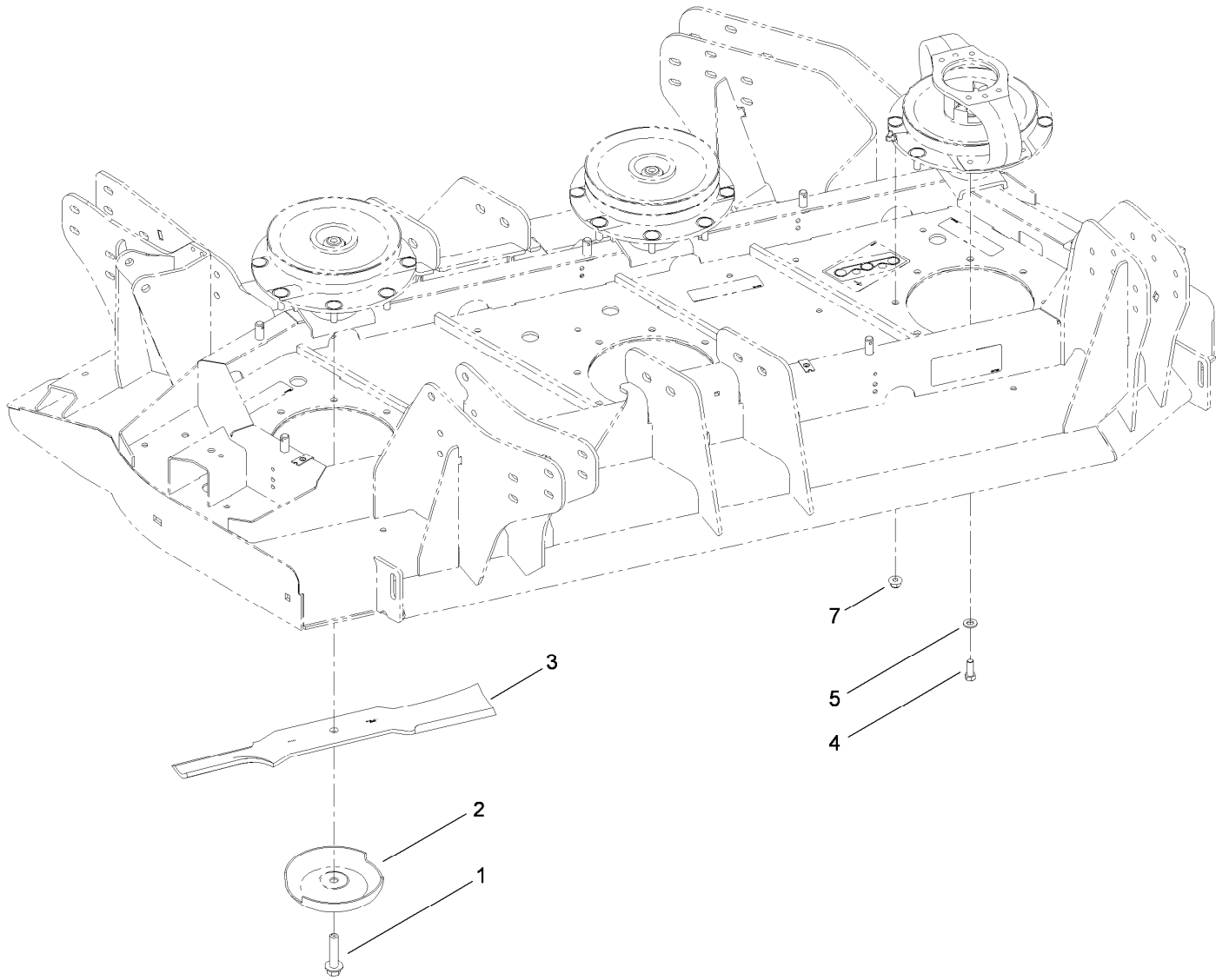
Left Deck Decal Assembly No. 110-5931

<i>Ref.</i>	<i>Part Number</i>	<i>Qty.</i>	<i>Description</i>
2	117-4979	3	Decal-Warning
3	120-6604	1	Decal-Danger
4	93-7818	1	Decal-Torque, Blade Bolt
5	114-4883	1	Decal-Belt Routing, Deck (LH)
6	110-3510	4	Nut-Retainer
7	114-0975	1	Decal-HOC



Left Deck Roller, Skid and Caster Wheel Assembly

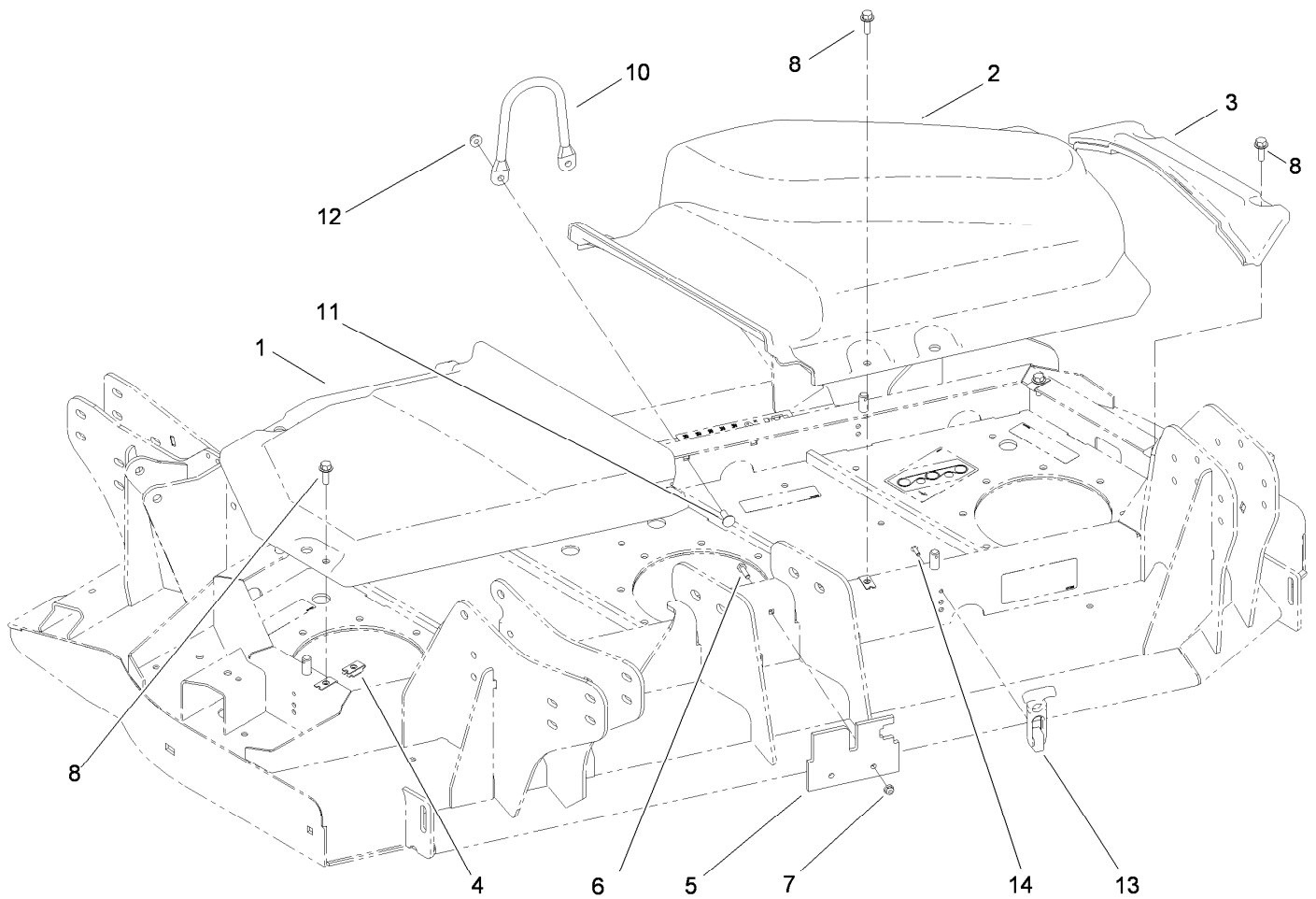
<i>Ref.</i>	<i>Part Number</i>	<i>Qty.</i>	<i>Description</i>	<i>Ref.</i>	<i>Part Number</i>	<i>Qty.</i>	<i>Description</i>
1	112-1479	2	Skid-Bumper, Deck	14	3296-45	2	Nut-Hex
2	3231-33	4	Screw-CARR	15	92-9727	4	HOC Cap ASM
3	104-8301	16	Nut-HF, NI	15:1	92-5581	1	Ring-Retaining
4	9136144	2	Screw-HWHTF	15:2	92-5583	1	Washer-Cap
5	323-42	12	Screw-HH	15:3	92-9726	1	Spring-Compression
6	93-4240	4	10 Inch Wheel ASM	15:4	92-8861	1	Cap-HOC
7	110-6040	2	Castor Arm ASM	16	114-0953	1	HOC Castor Arm ASM
7:2	302-5	1	Fitting-Grease	16:2	302-5	2	Fitting-Grease
7:3	69-6470	2	Bushing-Castor	16:3	69-6470	4	Bushing-Castor
8	69-6860	16	Washer-Thrust	17	69-1510	16	Spacer
9	110-5999-01	4	Castor Fork ASM	18	3256-24	12	Washer-Flat
10	327-24	4	Screw-HH	22	117-2768	1	Flap-Rubber
11	3296-53	4	Nut-Lock, NI	23	104-0858	2	Bolt-Shoulder
12	29-4820	2	Roller	24	103995	2	Washer
13	325-17	2	Screw-HH	25	104-7201	2	Nut-HF



Left Deck Spindle and Blade Assembly

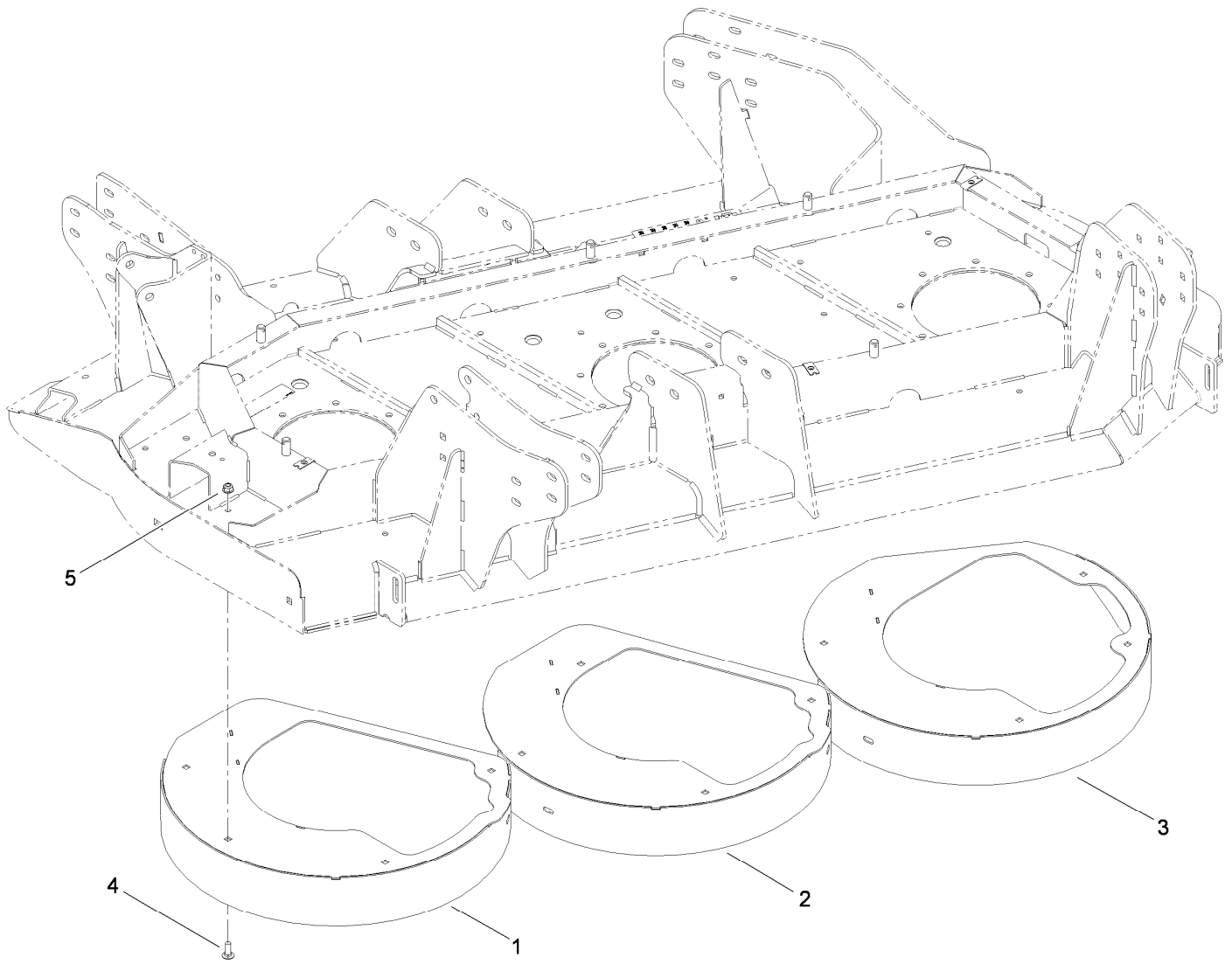
<i>Ref.</i>	<i>Part Number</i>	<i>Qty.</i>	<i>Description</i>
1	92-5816	3	Bolt-Blade
2	72-9361	3	Cup-Scalp, Anti
3	110-5946-03	3	Blade-Rotary
3	110-5948-03	3	Blade-Rotary, Atomic ●
4	323-6	4	Screw-HH
5	3256-24	4	Washer-Flat
7	104-8301	20	Nut-HF, NI

● Not illustrated



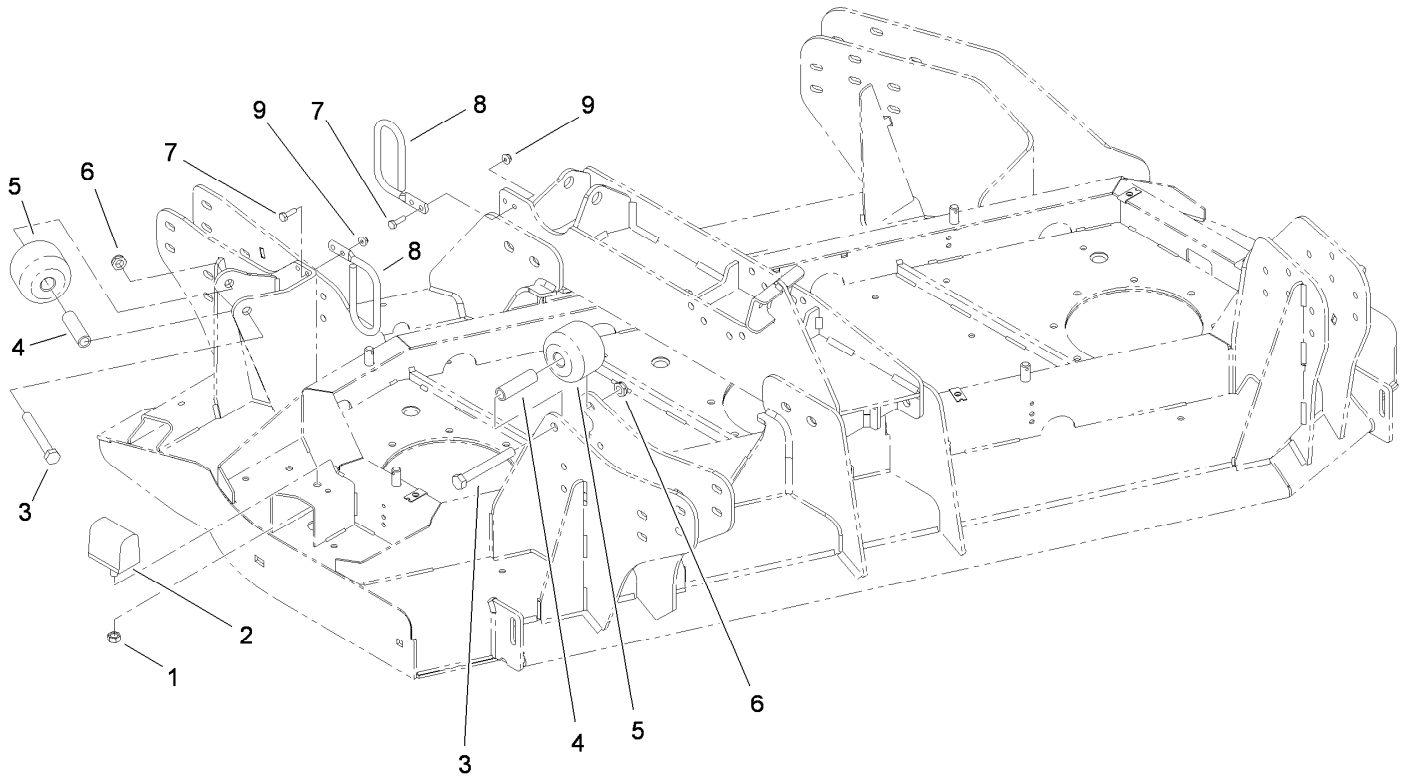
Left Deck Belt Cover Assembly

<i>Ref.</i>	<i>Part Number</i>	<i>Qty.</i>	<i>Description</i>
1	114-5633	1	Cover-Deck, LH Wing (Inside)
2	114-5634	1	Cover-Deck, LH Wing (Outside)
3	114-5637	1	Cover-Deck, LH Wing (Fixed)
4	110-3510	4	Nut-Retainer
5	115-3363	1	Deflector-Debris, Side Deck
6	321-5	2	Screw-HH
7	104-7201	2	Nut-HF
8	3234-29	4	Screw-HHF
10	115-3362	1	Guide-Hose
11	3230-10	2	Bolt-CARR
12	104-8300	2	Nut-HF, NI
13	103-4080	4	Latch-Rubber
14	3274-39	8	Screw-HSBH



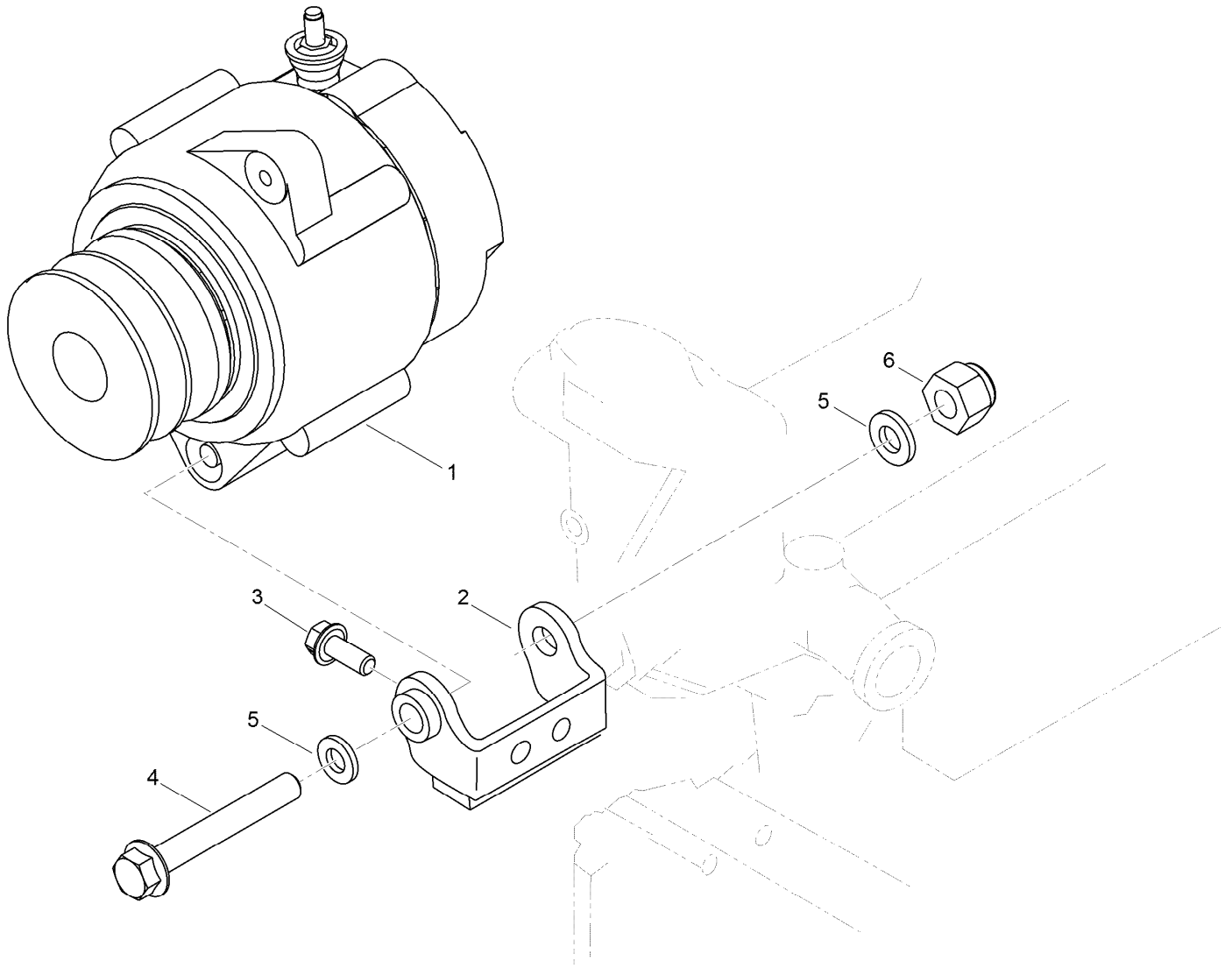
Left Deck Chamber Assembly

<i>Ref.</i>	<i>Part Number</i>	<i>Qty.</i>	<i>Description</i>
1	115-2107-01	1	Chamber-Inner, Left Deck
2	115-2106-01	1	Chamber-Center, Left Deck
3	115-2105-01	1	Chamber-Outer, Left Deck
4	3230-10	12	Bolt-CARR
5	104-8300	12	Nut-HF, NI



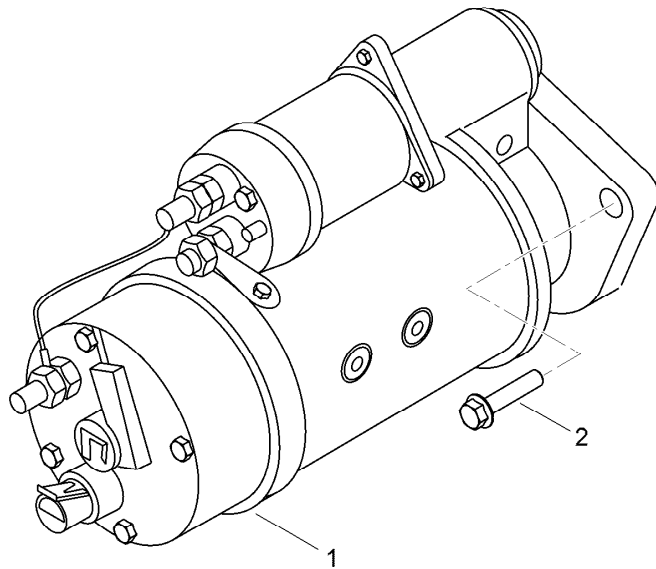
Left Deck Stop and Hose Guide Assembly

<i>Ref.</i>	<i>Part Number</i>	<i>Qty.</i>	<i>Description</i>
1	48-9520	1	Nut
2	87-3470	1	Bumper
3	325-17	2	Screw-HH
4	115-2144	2	Tube-Spacer
5	115-3366	2	Roller
6	3296-45	2	Nut-Hex
7	321-5	4	Screw-HH
8	114-5918	2	Support-Hose
9	104-7201	4	Nut-HF



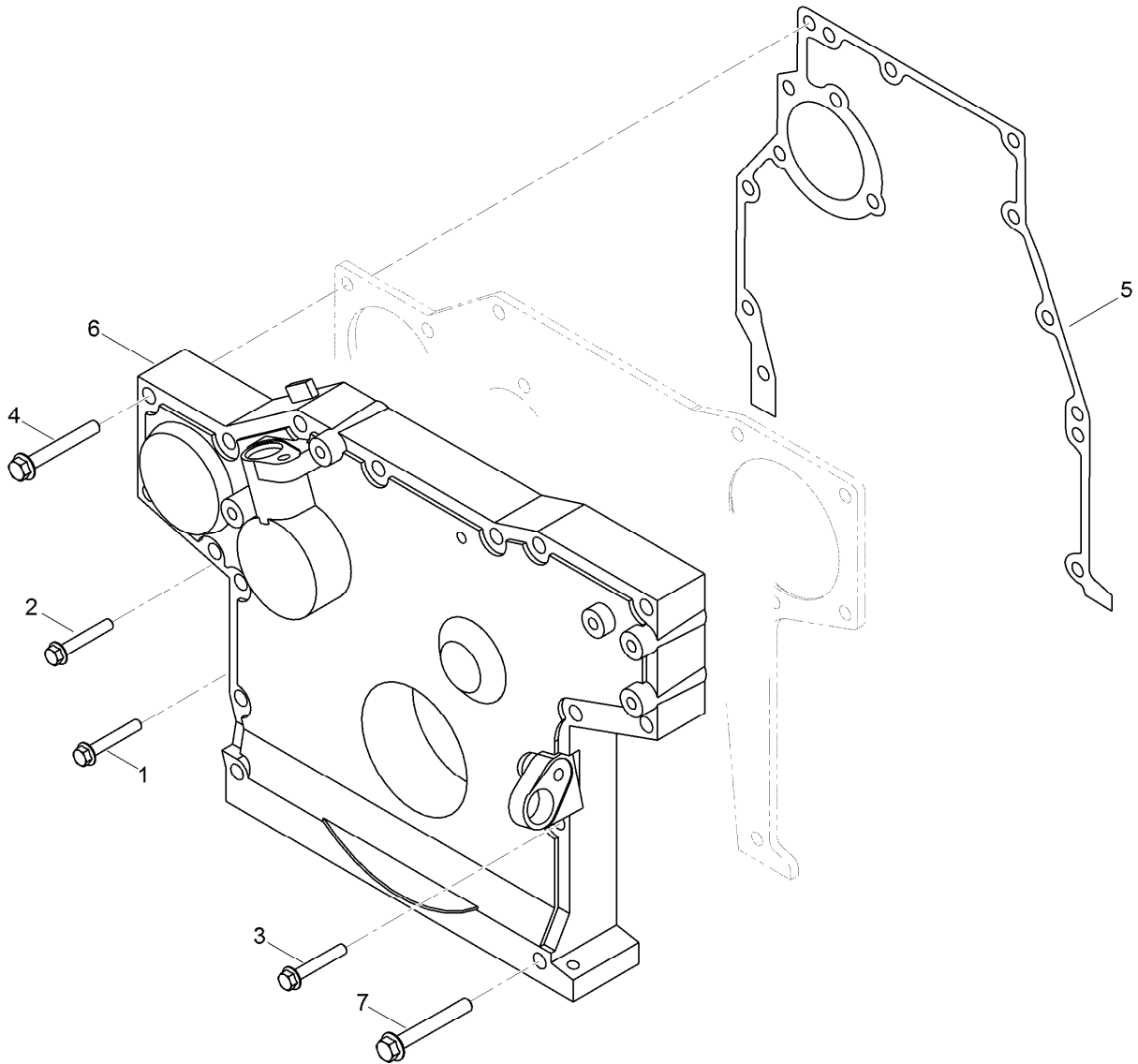
Engine Alternator Assembly

<i>Ref.</i>	<i>Part Number</i>	<i>Qty.</i>	<i>Description</i>
1	117-5419	1	Alternator
2	115-8851	1	Bracket-Alternator
3	117-5401	2	Screw-Flange, HH
4	117-5400	1	Screw-Flange, HH
5	117-5403	2	Washer-Bevel
6	117-5402	1	Nut-HH



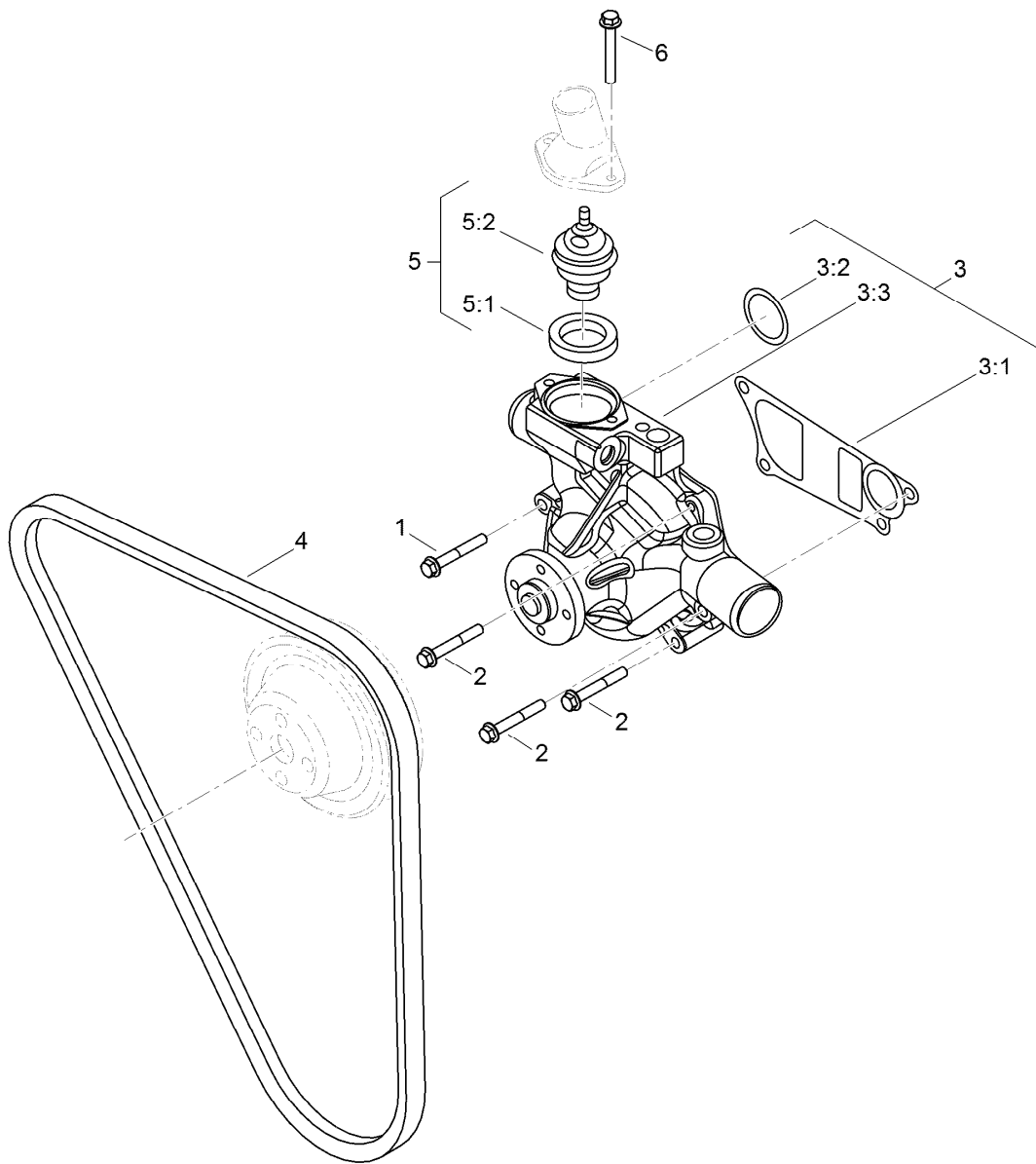
Engine Starter Assembly

<i>Ref.</i>	<i>Part Number</i>	<i>Qty.</i>	<i>Description</i>
1	115-8861	1	Starter
2	117-5404	2	Screw-Mounting, Starter



Engine Gear Case Front Cover Assembly

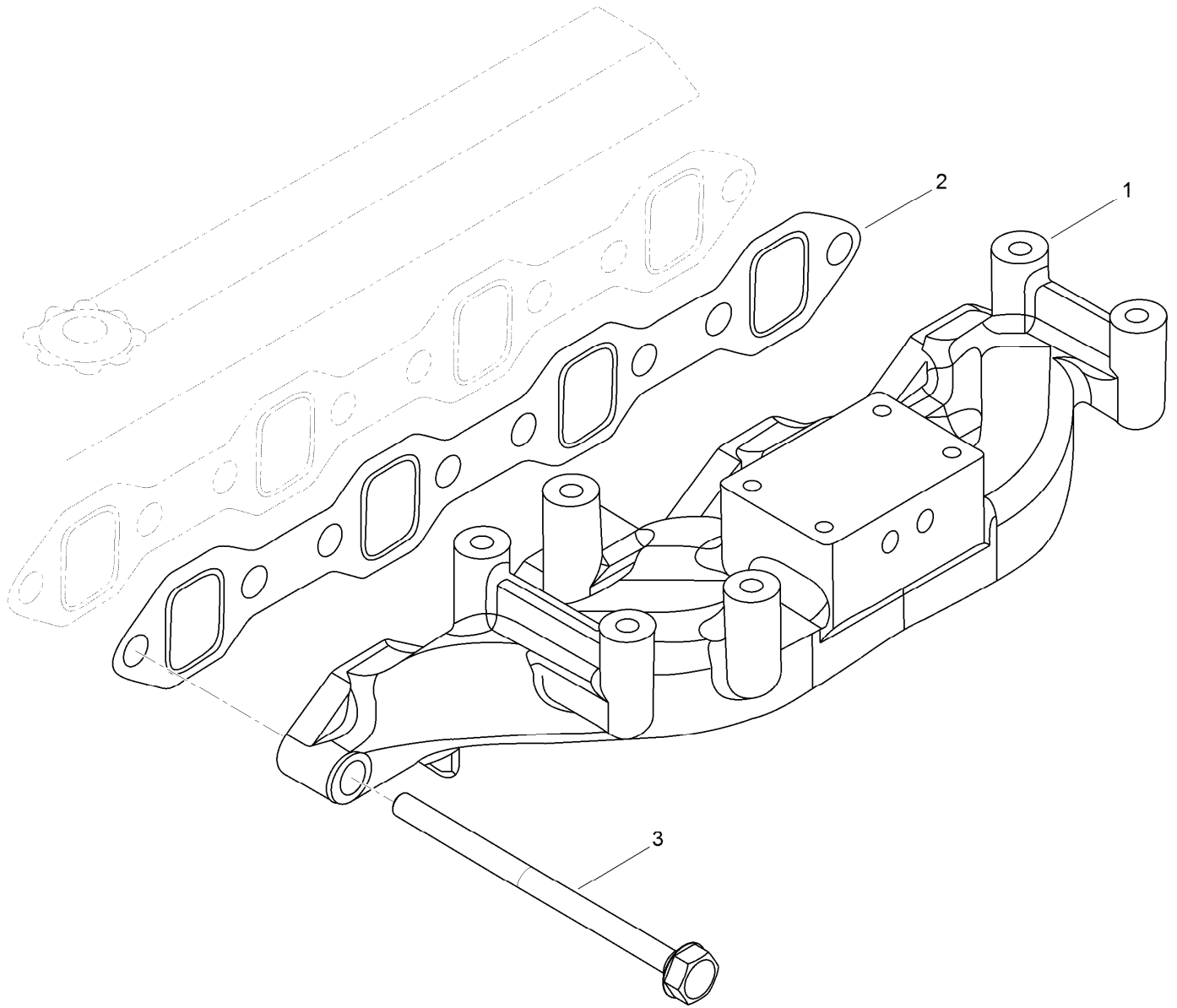
<i>Ref.</i>	<i>Part Number</i>	<i>Qty.</i>	<i>Description</i>
1	117-5405	2	Screw-Flange, HH
2	117-5406	2	Screw-Flange, HH
3	117-5407	6	Screw-Flange, HH
4	117-5408	8	Screw-Flange, HH
5	117-5423	1	Gasket-Cover, Front
6	117-5421	1	Cover-Front
7	117-5409	2	Screw-Flange, HH



Engine Water Pump and Thermostat Assembly

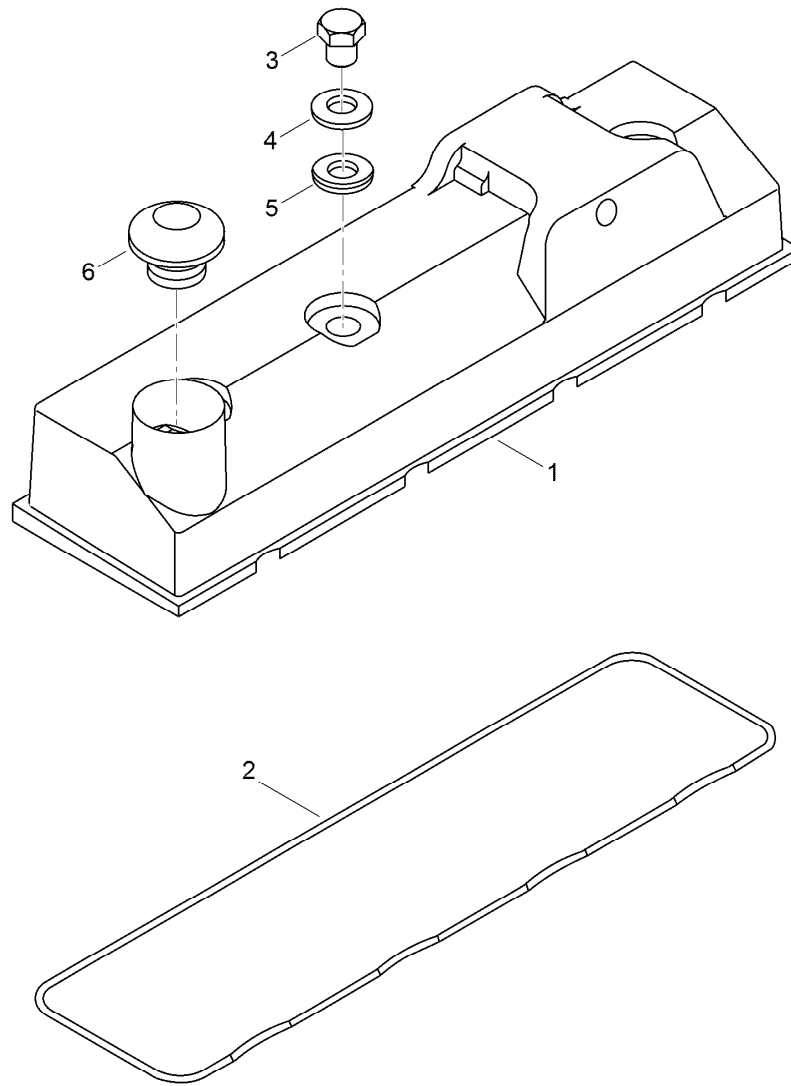
Ref.	Part Number	Qty.	Description
1	117-5412	1	Screw-Flange, HH
2	117-5407	3	Screw-Flange, HH
3	117-5426	1	Water Pump Kit
3:1	115-8857	1	Gasket-Pump, Water
3:2	117-5411	1	O Ring-Seal
3:3		1	Water Pump ●
4	117-5420	1	Belt-V, Ribbed
5	115-8860	1	Thermostat Kit
5:1	117-5414	1	Gasket-Connection
5:2		1	Thermostat ●
6	117-5406	2	Screw-Flange, HH

● Not serviced separately



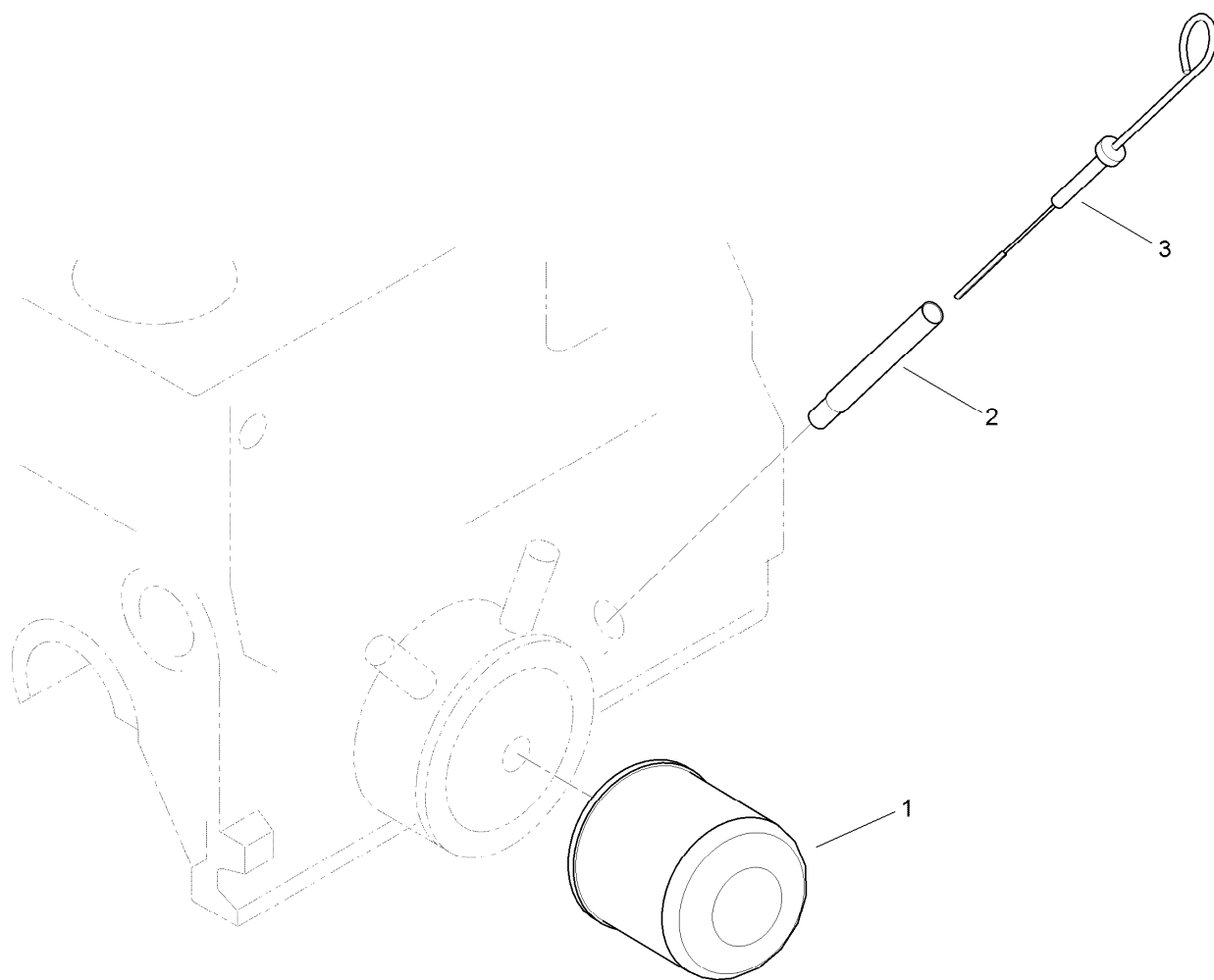
Engine Exhaust Manifold Assembly

<i>Ref.</i>	<i>Part Number</i>	<i>Qty.</i>	<i>Description</i>
1	117-5425	1	Manifold-Exhaust
2	115-8855	1	Gasket-Manifold, Exhaust
3	117-5410	8	Screw-Flange, HH



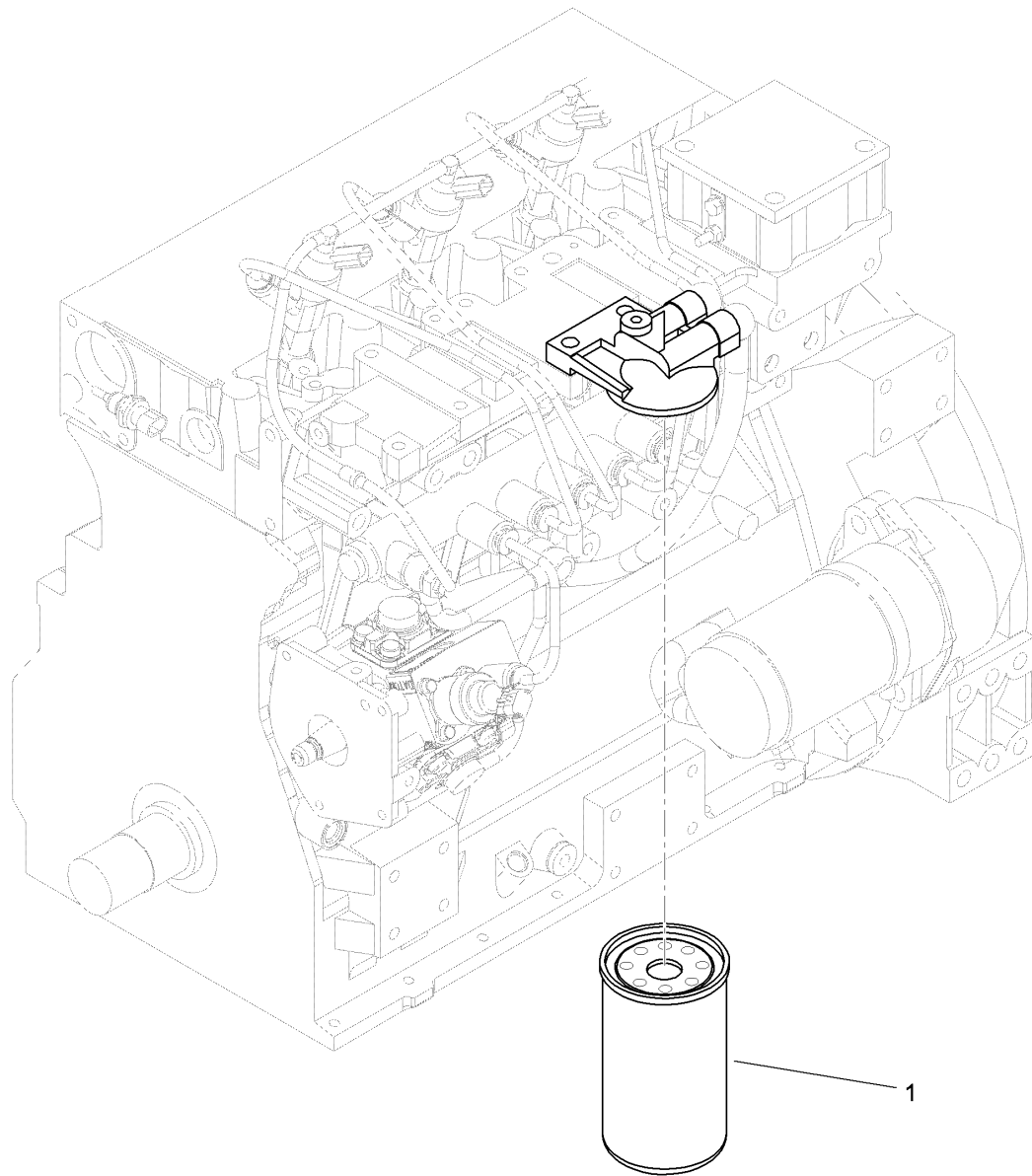
Engine Valve Cover Assembly

<i>Ref.</i>	<i>Part Number</i>	<i>Qty.</i>	<i>Description</i>
1	117-5427	1	Cover-Valve
2	117-5428	1	O Ring-Seal
3	117-5417	3	Nut-Lock
4	117-5415	3	Washer-Plain
5	117-5416	3	Isolator-Noise
6	117-5429	1	Cap-Filler



Engine Oil Filter and Dipstick Assembly

<i>Ref.</i>	<i>Part Number</i>	<i>Qty.</i>	<i>Description</i>
1	115-8868	1	Filter-Oil, Engine
2	117-5424	1	Tube-Dipstick
3	117-5422	1	Dipstick



Engine Fuel Filter Assembly

<i>Ref.</i>	<i>Part Number</i>	<i>Qty.</i>	<i>Description</i>
1	117-2792	1	Filter-Fuel

Attachments and Accessories

For 31598 Groundsmaster 5900/5910 Rotary Mower

Product Name	Model/Part
Premium All Season Hydraulic Fluid (55 Gallon Drum)	108-1177
Premium All Season Hydraulic Fluid (5 Gallon Pail).....	108-1178
Premium Engine Oil, 15w40 (55 Gallon Drum)	108-1181
Premium Engine Oil, 15w40 (5 Gallon Pail)	108-1182
Premium Heavy Duty All Season Gear Lube (Pail)	108-1188
Premium All Purpose Grease (Tube)	108-1190
Premium Heavy Duty All Season Gear Lube (Quart)	108-1591
Atomic Blade Kit	114-0897
Standard Blade Kit.....	115-8896
Blade and Belt Kit	115-8898
Tall Grass Kit.....	117-2795
Extension Kit for 2-Post ROPS	117-9430
Windscreen Kit	117-9440
CE Kit (For 2010 models and Up)	117-9449
Vinyl Backrest Extension Kit	119-7718
Beacon Kit	119-8256
Flat Blade Kit	119-8268
Registration Plate and Light Kit.....	120-7570
MVP Filter Kit.....	30041
Hardtop Sunshade.....	30359
Leaf Mulching Kit	31581
Light Kit.....	31582
Center Replacement Deck.....	31591
Right Replacement Deck	31592
Left Replacement Deck	31593
Fuse Block.....	92-2641
10in Foam Filled Castor Wheel.....	93-5973

For 31598TE Groundsmaster 5900/5910 Rotary Mower

Product Name	Model/Part
Premium All Season Hydraulic Fluid (55 Gallon Drum)	108-1177
Premium All Season Hydraulic Fluid (5 Gallon Pail).....	108-1178
Premium Engine Oil, 15w40 (55 Gallon Drum)	108-1181
Premium Engine Oil, 15w40 (5 Gallon Pail)	108-1182
Premium Heavy Duty All Season Gear Lube (Pail)	108-1188
Premium All Purpose Grease (Tube)	108-1190
Premium Heavy Duty All Season Gear Lube (Quart)	108-1591
Atomic Blade Kit	114-0897
Standard Blade Kit.....	115-8896
Blade and Belt Kit	115-8898
Tall Grass Kit.....	117-2795
Extension Kit for 2-Post ROPS	117-9430
Windscreen Kit	117-9440
CE Kit (For 2010 models and Up)	117-9449

Attachments and Accessories (continued)

Vinyl Backrest Extension Kit	119-7718
Beacon Kit	119-8256
Flat Blade Kit	119-8268
Registration Plate and Light Kit.....	120-7570
MVP Filter Kit.....	30041
Hardtop Sunshade.....	30359
Leaf Mulching Kit	31581
Light Kit.....	31582
Center Replacement Deck.....	31591
Right Replacement Deck	31592
Left Replacement Deck	31593
Fuse Block.....	92-2641
10in Foam Filled Castor Wheel.....	93-5973

For 31599 Groundsmaster 5900/5910 Rotary Mower

Product Name	Model/Part
Premium All Season Hydraulic Fluid (55 Gallon Drum)	108-1177
Premium All Season Hydraulic Fluid (5 Gallon Pail).....	108-1178
Premium Engine Oil, 15w40 (55 Gallon Drum)	108-1181
Premium Engine Oil, 15w40 (5 Gallon Pail)	108-1182
Premium Heavy Duty All Season Gear Lube (Pail)	108-1188
Premium All Purpose Grease (Tube)	108-1190
Premium Heavy Duty All Season Gear Lube (Quart)	108-1591
Atomic Blade Kit	114-0897
Work Light Kit	114-5610
Standard Blade Kit.....	115-8896
Blade and Belt Kit	115-8898
Tall Grass Kit.....	117-2795
CE Kit (For 2010 models and Up)	117-9449
Backrest Extension Kit.....	119-7719
Beacon Kit	119-8256
Flat Blade Kit	119-8268
Registration Plate and Light Kit.....	120-7570
MVP Filter Kit.....	30041
Leaf Mulching Kit	31581
Light Kit.....	31582
Center Replacement Deck.....	31591
Right Replacement Deck	31592
Left Replacement Deck	31593
Fuse Block.....	92-2641
10in Foam Filled Castor Wheel.....	93-5973

For 31599TE Groundsmaster 5900/5910 Rotary Mower

Product Name	Model/Part
Premium All Season Hydraulic Fluid (55 Gallon Drum)	108-1177
Premium All Season Hydraulic Fluid (5 Gallon Pail).....	108-1178

Attachments and Accessories (continued)

Premium Engine Oil, 15w40 (55 Gallon Drum)	108-1181
Premium Engine Oil, 15w40 (5 Gallon Pail)	108-1182
Premium Heavy Duty All Season Gear Lube (Pail)	108-1188
Premium All Purpose Grease (Tube)	108-1190
Premium Heavy Duty All Season Gear Lube (Quart)	108-1591
Atomic Blade Kit	114-0897
Work Light Kit	114-5610
Standard Blade Kit	115-8896
Blade and Belt Kit	115-8898
Tall Grass Kit.....	117-2795
CE Kit (For 2010 models and Up)	117-9449
Backrest Extension Kit.....	119-7719
Beacon Kit	119-8256
Flat Blade Kit	119-8268
Registration Plate and Light Kit.....	120-7570
MVP Filter Kit.....	30041
Leaf Mulching Kit	31581
Light Kit.....	31582
Center Replacement Deck.....	31591
Right Replacement Deck	31592
Left Replacement Deck	31593
Fuse Block	92-2641
10in Foam Filled Castor Wheel.....	93-5973

Notes:

Notes:

Notes:



Count on it.