



Count on it.

Parts Catalog

Universal Groomer Drive Kit

**Reelmaster® 3575, 5010, and 5010-H Series
22-inch Cutting Units with 7in Reel**

Model No. 03768



Ordering Replacement Parts

To order replacement parts, please supply the part number, the quantity, and the description of each part desired.

Understanding Reference Numbers

Each identified part in an illustration has a reference number. The reference number for a part also appears in the parts list, along with other information about the part.

This catalog uses two special reference number formats, one to indicate parts in a service assembly and another to indicate the quantity of a given part in an illustration.

Service Assembly Reference Numbers

Parts in service assemblies have reference numbers in the form a:b. The a represents the reference number of the entire service assembly and the b represents a sequential number unique to each part within the service assembly.

For example, a wheel assembly might be identified by reference number 6, the tire by 6:1, the valve by 6:2, and the wheel by 6:3. When you order the assembly identified by reference number 6, you receive all parts identified by reference numbers 6:1, 6:2, and 6:3. However, you may also order any part individually. Reference numbers of this type appear in illustration and in parts lists.

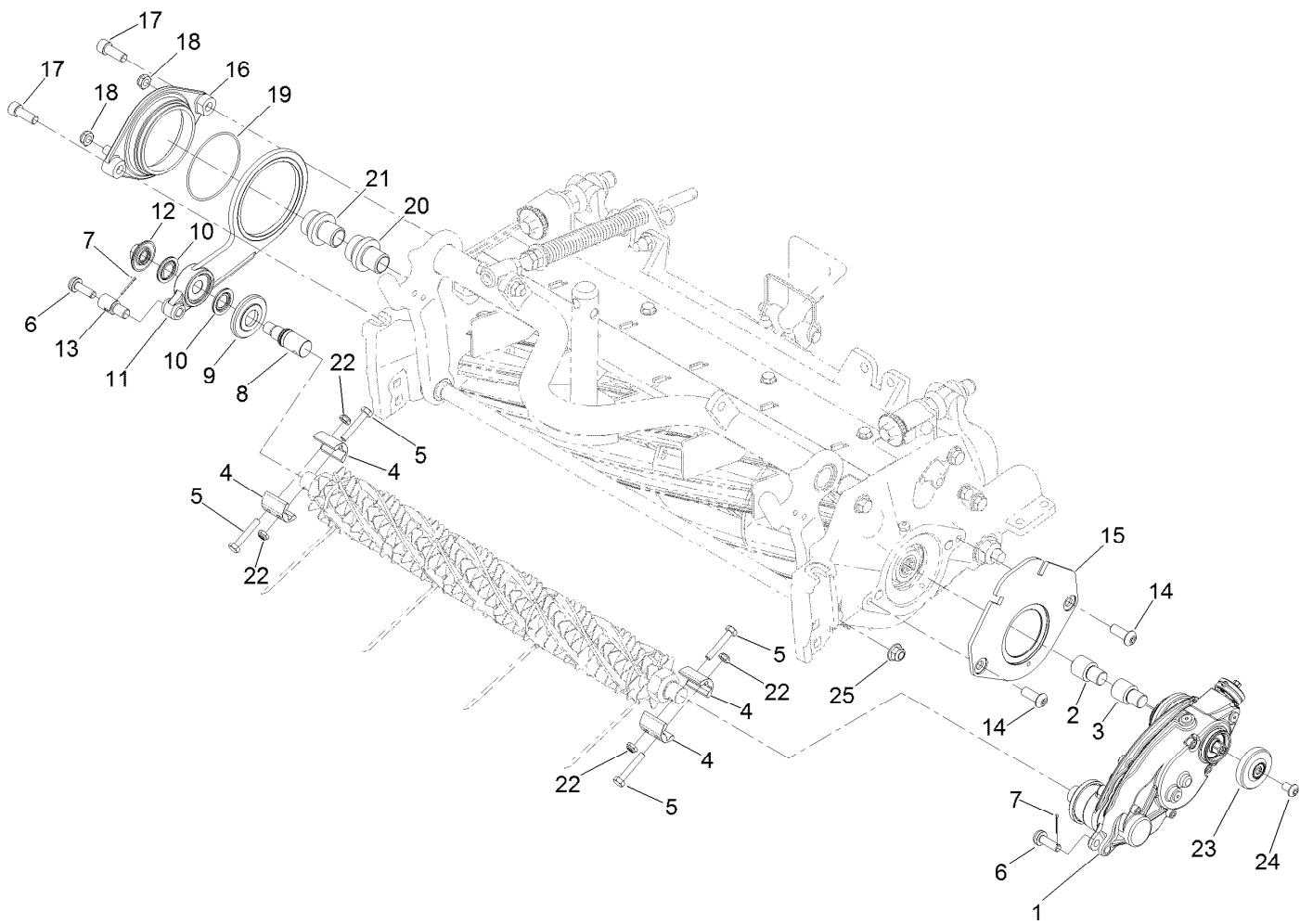
Reference Numbers Indicating Quantity

In an illustration, if a reference number indicates more than one part, the reference number has the form nX y. The n represents the quantity of the part, the X is the multiplication symbol, and the y represents the reference number.

For example, in an illustration, the reference number 2X 37 means that two of the parts identified by reference number 37 are indicated.

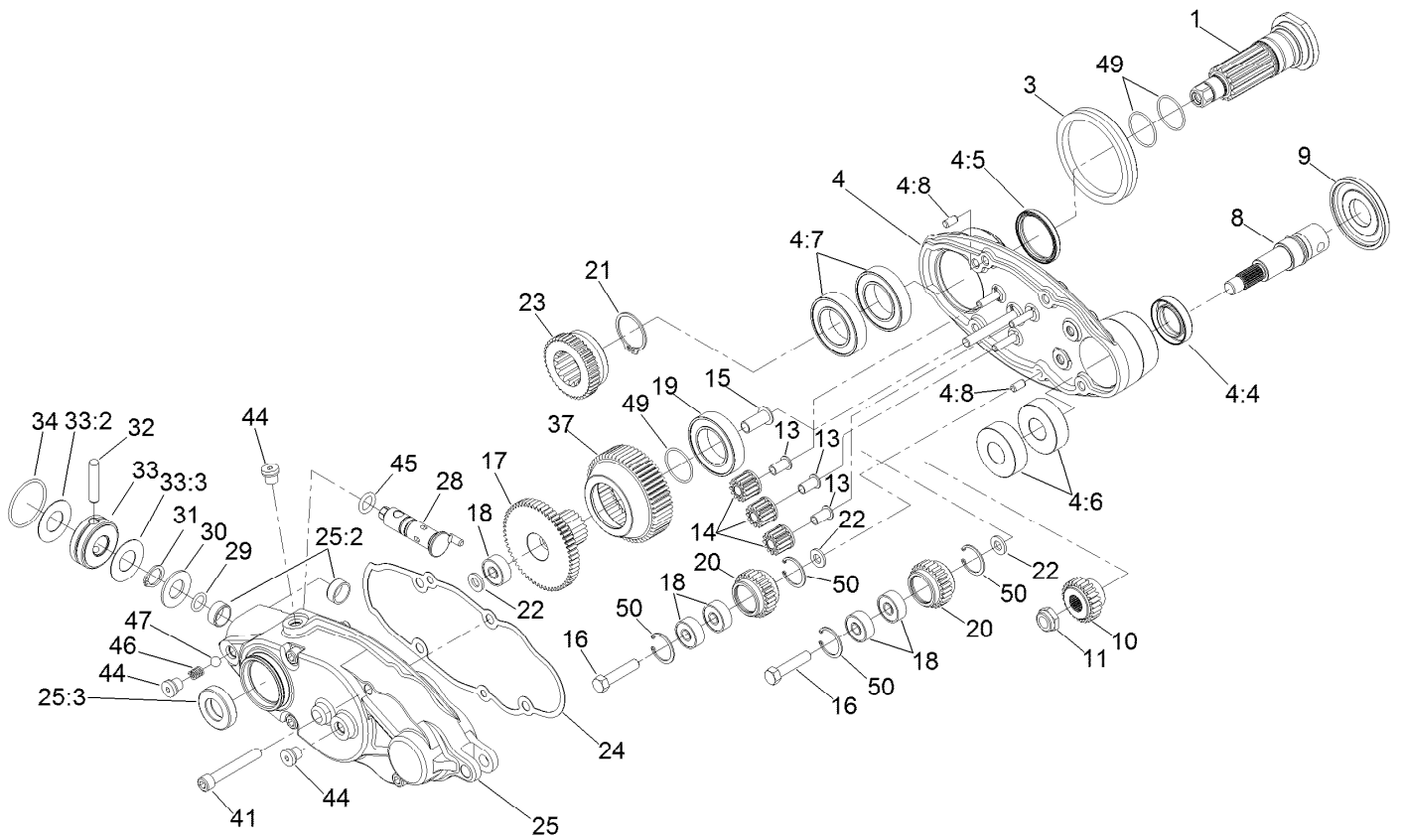
Contents

Groomer Assembly 4
Groomer Drive Assembly No. 131-1801..... 5
Groomer Quick Up Assembly..... 7



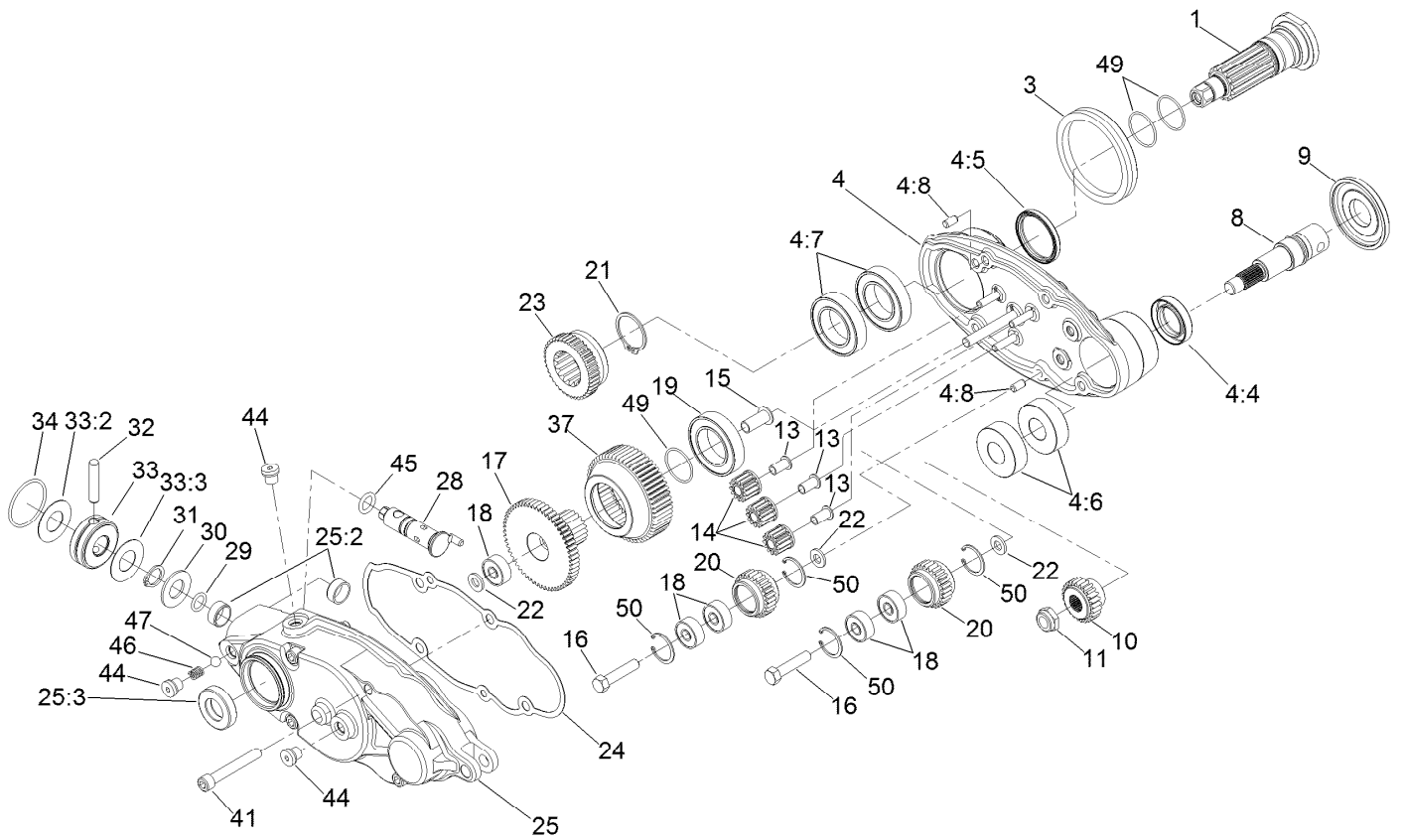
Groomer Assembly

<i>Ref.</i>	<i>Part Number</i>	<i>Qty.</i>	<i>Description</i>	<i>Ref.</i>	<i>Part Number</i>	<i>Qty.</i>	<i>Description</i>
1	131-1801	5	7 Inch Groomer Drive ASM	15	132-0714-03	5	Bracket-Weight, 7 Inch Fairway
2	133-9215	2	Adapter-Fairway, RH	16	108-4236	5	Hub-Pivot, Non Drive
3	133-9216	3	Adapter-Fairway, LH	17	131-8573	6	Screw-HSH
4	132-0742	20	Clamp-Shaft	18	3296-59	10	Nut-Lock, NI
5	132-4624	20	Screw-HH	19	112-6967	5	O-Ring
6	120-2892	10	Pin-Adjuster	20	130-4100	3	Insert-Threaded, Extended (RH)
7	132-0707	10	Pin-Cotter	21	130-4101	2	Insert-Threaded, Extended (LH)
8	120-2887	5	Shaft-Stub	22	126-2725	20	Nut-Hex, NI
9	133-9109	5	Shield	23	132-4634	5	Shield-Seal
10	115-6923	10	Shield-Bearing, Flocked	24	131-1884	5	Screw-HSBH
11	131-1804	5	Idler Assembly	25	104-8301	10	Nut-HF, NI
12	120-2888	5	Nut-Flange				
13	120-2891	5	Collar-Adjuster				
14	3274-80	6	Screw-HH				



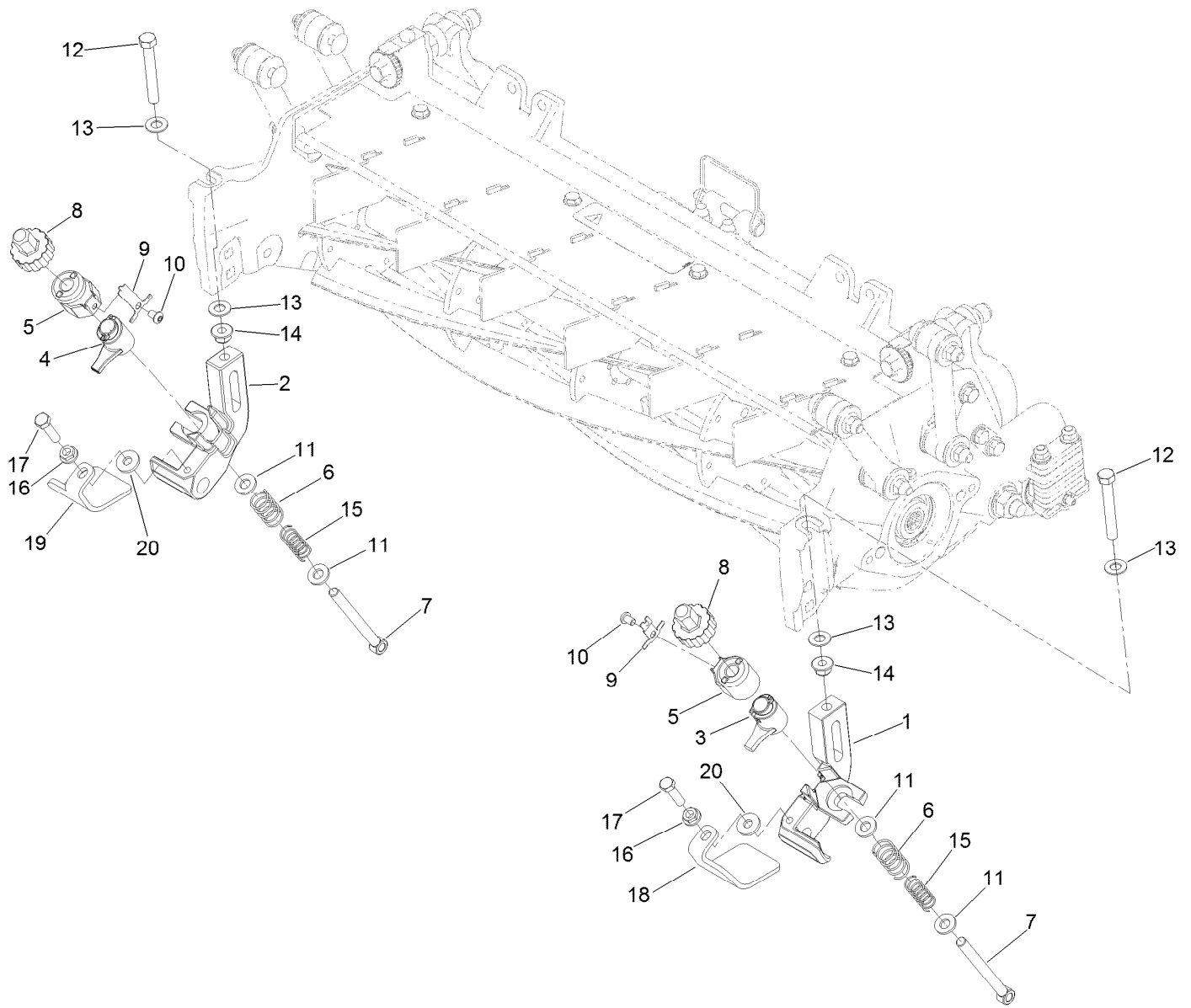
Groomer Drive Assembly No. 131-1801

<i>Ref.</i>	<i>Part Number</i>	<i>Qty.</i>	<i>Description</i>	<i>Ref.</i>	<i>Part Number</i>	<i>Qty.</i>	<i>Description</i>
1	133-9211	1	Drive Shaft ASM	22	120-2886	3	Washer-Thrust
3	120-2876	1	Seal-V Ring	23	120-2932	1	Gear-Driver
4	131-1897	1	7 Inch Housing ASM	24	120-2899	1	Gasket-Housing, 7 Inch
4:4	131-1829	1	Seal-Oil	25	131-1898	1	7 Inch Cover ASM
4:5	133-4596	1	Seal-Oil	25:2	121-4738	2	Bushing-Straight
4:6	115-6869	2	Bearing-Ball, Stainless	25:3	133-9080	1	Seal-Oil
4:7	132-0745	2	Bearing	28	120-2881	1	Shaft-Actuator, Clutch
4:8	121-9249	2	Pin-Dowel	29	237-22	1	O-Ring
8	120-2882	1	Shaft-Driven	30	47-2910	1	Washer-Thrust
9	133-9109	1	Shield	31	32151-61	1	Ring-Retaining
10	132-0712	1	Gear-Driven 25 Tooth	32	125-3529	1	Pin-Shear
11	121-4600	1	Nut-Hex	33	132-0725	1	Clutch Knob ASM
13	120-2919	3	Bushing-Flange	33:2	132-0719	1	Decal-Clutch, Drive (RH)
14	120-2910	3	Gear-Planet	33:3	132-0727	1	Decal-Clutch, Drive (LH)
15	120-2921	1	Bushing-Flange	34	340-64	1	O-Ring
16	120-2857	2	Pin-Bearing	37	120-2904	1	Gear-Ring
17	120-2905	1	Gear-Sun	41	119-4035	4	Screw-HSH
18	117-8772	5	Bearing-Ball	44	131-1825	4	Plug-ORB
19	132-0745	1	Bearing	45	131-1879	1	O-Ring Seal
20	132-4686	2	Gear-Spur, 27 T	46	105-2443	1	Spring-Detent
21	120-2878	1	Ring-Retaining, EXT	47	105-2442	1	Ball-Detent



Groomer Drive Assembly No. 131-1801 (continued)

<i>Ref.</i>	<i>Part Number</i>	<i>Qty.</i>	<i>Description</i>
49	132-0726	3	O-Ring
50	93-7972	4	Ring-Retaining, Internal



Groomer Quick Up Assembly

Ref.	Part Number	Qty.	Description	Ref.	Part Number	Qty.	Description
1	133-9105	5	Bracket-HOC, LH	11	115-7293	20	Washer-Hardened
2	133-9104	5	Bracket-HOC, RH	12	112-7451	10	Screw-TAP
3	133-9106	5	Up-Quick, LH	13	48-9220	20	Washer-Plain
4	133-9101	5	Up-Quick, RH	14	104-8301	10	Nut-HF, NI
5	133-9103	10	Cover-Up, Quick	15	120-2939	10	Spring-Compression
6	120-2938	10	Spring-Compression	16	32128-20	10	Nut-HF
7	132-0708	10	Eye Bolt	17	119-3626	10	Screw-HH
8	120-2937	10	Nut	18	133-9145-03	5	Bumper-Groomer, LH
9	132-0741	10	Spring-Detent, Fairway	19	133-9146-03	5	Bumper-Groomer, RH
10	131-1883	10	Screw-HSBH	20	4-2390	10	Washer-Flat



Count on it.