



**Count on it.**

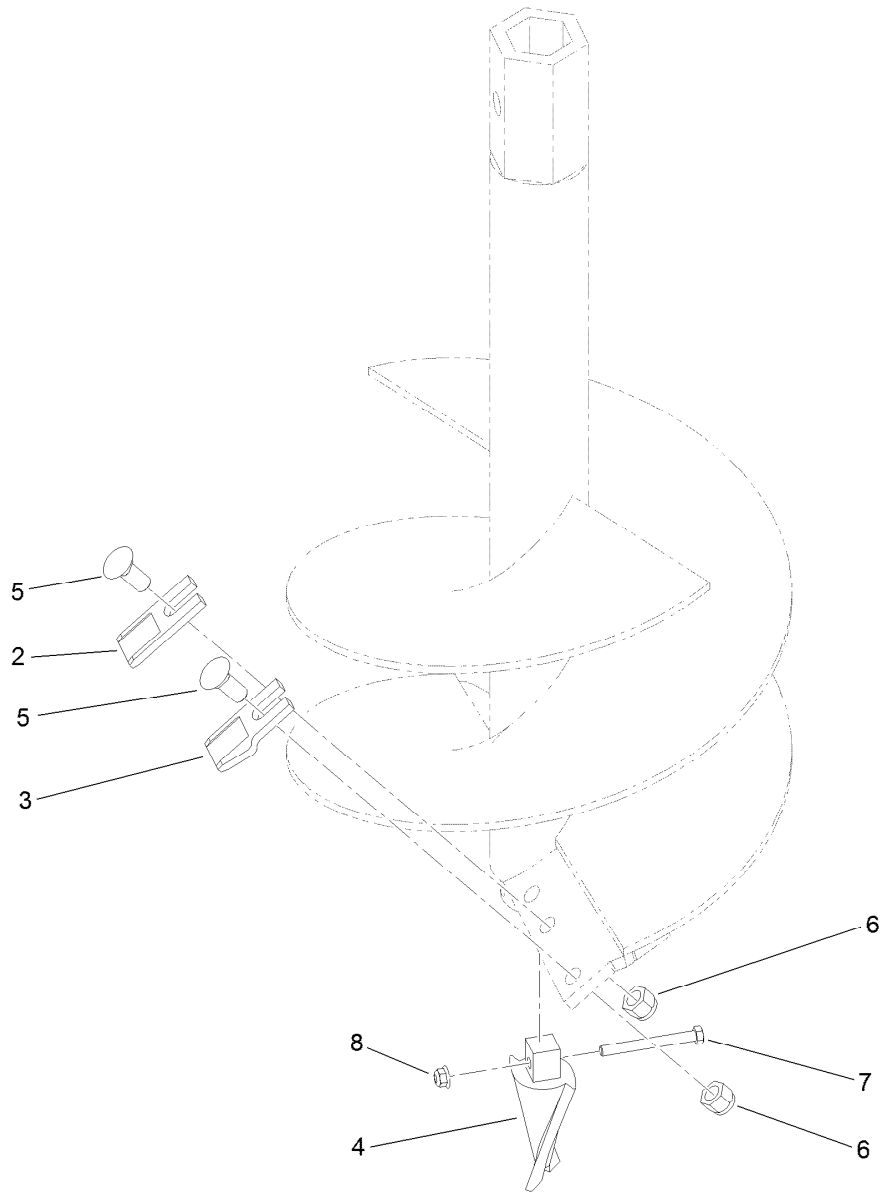
**Parts Catalog**

**18in Standard Auger Bit**

**TXL 2000 Tool Carrier**

Model No. 22556





## 18 Inch Standard Auger Bit Assembly

<i>Ref.</i>	<i>Part Number</i>	<i>Qty.</i>	<i>Description</i>
2	139-1367	4	Tooth-Auger, Wisdom Inside
3	139-1368	2	Tooth-Auger, Wisdom Outer
4	139-1369	1	Tooth-Fishtail, Standard
5	139-1386	6	Screw-Carriage
6	3296-53	6	Nut-Lock, NI
7	323-15	1	Screw-HH
8	104-8301	1	Nut-HF, NI

# Attachments and Accessories

## For 22556 18in Standard Auger Bit TXL 2000 Tool Carrier

<b>Product Name</b>	<b>Model/Part</b>
Tooth-Auger, Chisel .....	139-1370
Tooth-Auger, Carbide Wisdom.....	139-1371
Tooth-Auger, Carbide Chisel.....	139-1372
Tooth-Fishtail, Carbide.....	139-1373



**Count on it.**