



Wheel Horse[®]
44" Cutting Unit

Model No. 78444 – 9900001 & Up

Parts Catalog

ORDERING REPLACEMENT PARTS

To order replacement parts, please supply: the part number, the quantity, and the description of each part desired.

Contents

| Description | Page | Description | Page |
|----------------------------------|------|-----------------------|------|
| Deck Assembly | 1 | Baffle Assembly | 6 |
| Deck Assembly (Continued) | 2 | Decal Assembly | 7 |
| Spindle and Blade Assembly | 3 | | |
| Deck Suspension Assembly | 4 | Note: | |
| Pulley Box Assembly | 5 | | |

Part Description Abbreviations

Part descriptions in this catalog may include the following abbreviations.

| Abbreviation | Meaning | Abbreviation | Meaning |
|--------------|------------------------|--------------|-------------------------|
| AR | as required | HWHTF | hex washer head |
| ASM | assembly | | thread forming |
| CARR | carriage | INC | incorporated |
| DEG | degrees | LH | left hand |
| FH | flat head | PH | pan head |
| GA | gauge | PPH | Phillips pan head |
| HF | hex flange | PTO | power take off |
| HFW | hex flange washer | RH | right hand |
| HH | hex head | SFH | slotted fillister head |
| HHF | hex head flange | SH | square head |
| HHST | hex head self tapping | SHWH | slotted hex washer head |
| HJ | hex jam | SPH | slotted pan head |
| HOC | height-of-cut | STD | standard |
| HS | hex socket | TAP | self tapping |
| HSBH | hex socket button head | TH | truss head |
| HSFH | hex socket flat head | TTH | Torx truss head |
| HSH | hex socket head | WH | wing head |
| HWH | hex washer head | | |

Important Format Explanations

This catalog uses special formats to convey information in illustrations and parts lists. Specifically, one format is used in conjunction with service assemblies and another with quantities associated with reference numbers.

Service Assemblies

Parts within service assemblies have reference numbers in the form X:Y. X is the reference number of the service assembly and Y is a sequential number unique to each part within the service assembly.

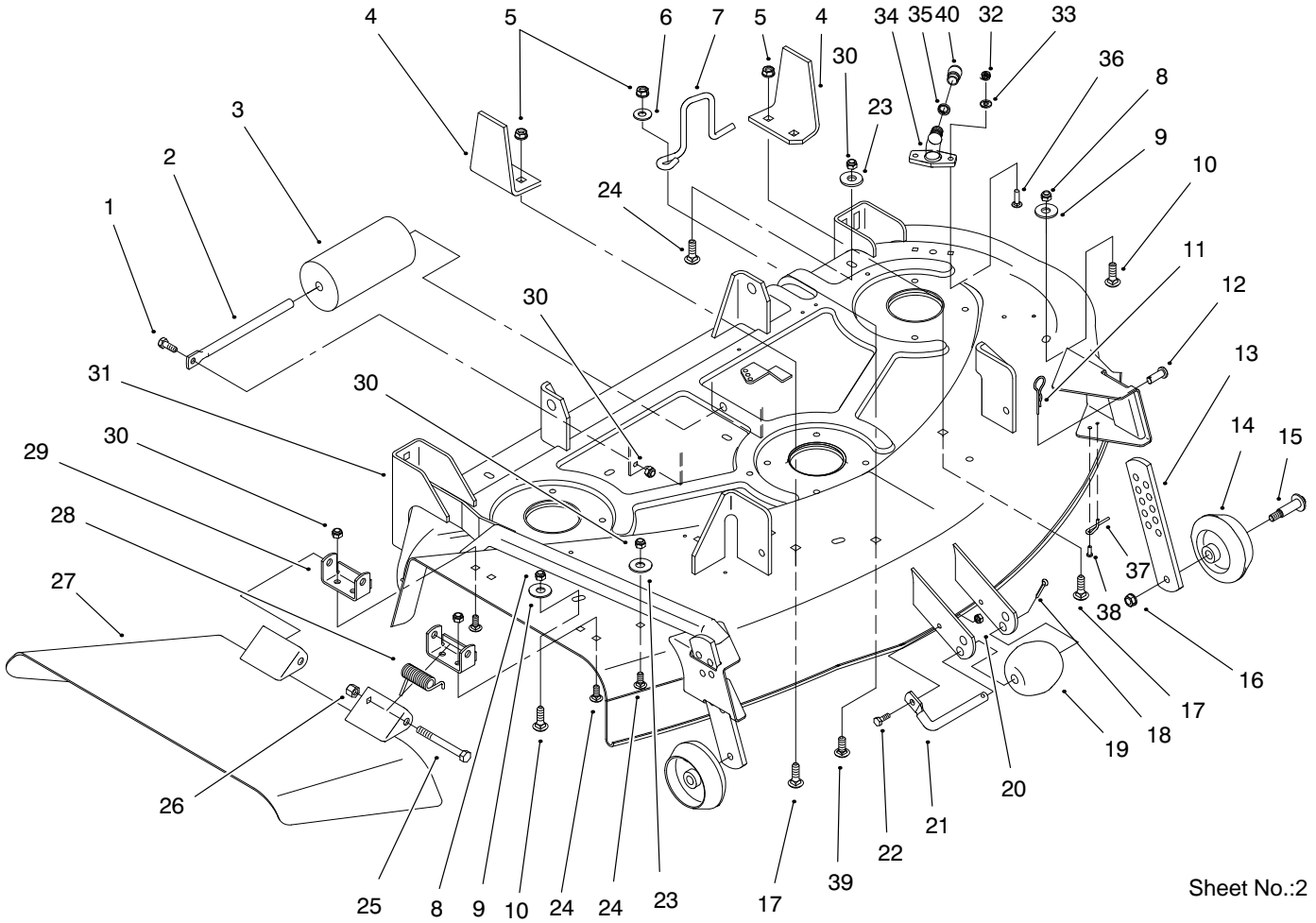
For example, a wheel assembly might be identified by reference number 6, the tire by 6:1, the valve by 6:2, and the wheel by 6:3. When you order the assembly identified by reference number 6, you receive all parts identified by reference numbers 6:1, 6:2, and 6:3. However, you may also order any part individually.

Reference numbers of this type appear in part lists and as callouts in illustrations.

Reference Numbers with Quantities

Illustrations may have a quantity in parentheses next to a reference number, in the form $X (Y)$. X is the reference number. Y in parentheses is the quantity of the part identified by the reference number.

For example, the illustration callout 4 (2) indicates that two parts are used in that instance.

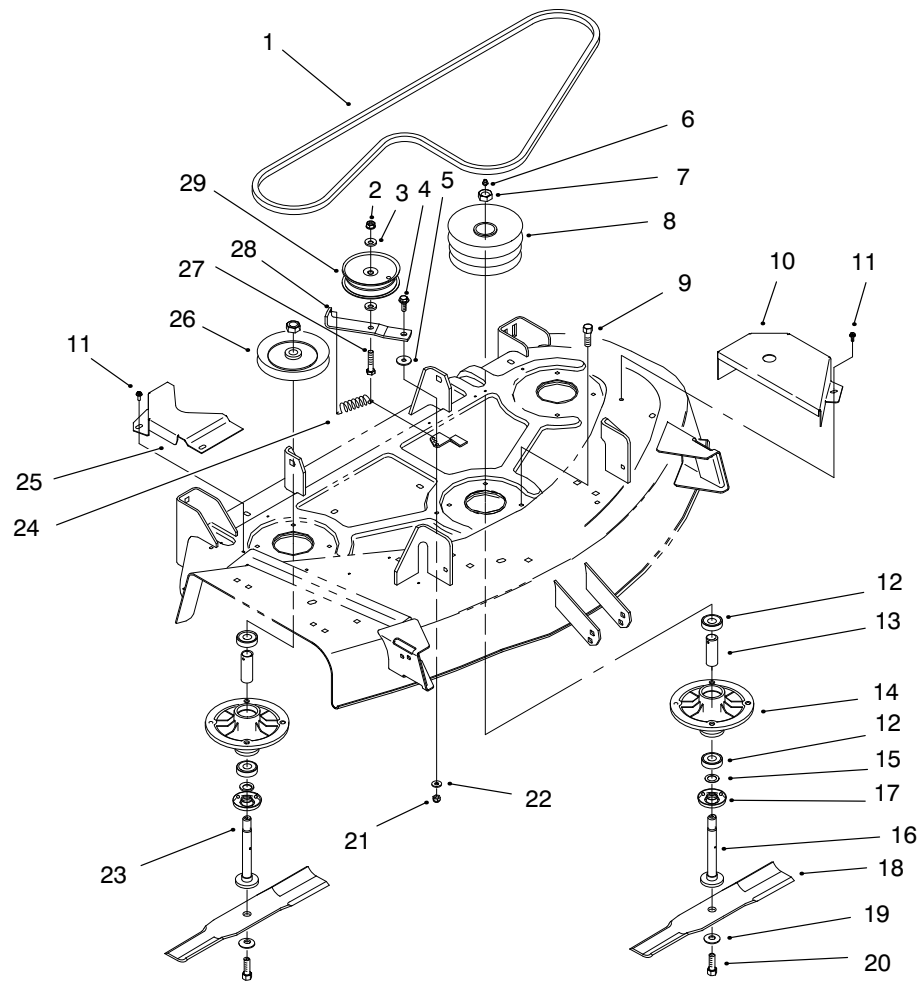


Sheet No.:2

Reinforcement Plate Assembly

| Ref. No. | Part No. | Qty. | Description |
|----------|------------|------|------------------|
| 1 | 322-4 | 1 | Screw-HH |
| 2 | 62-4480 | 1 | Rod-Roller |
| 3 | 36-1740 | 1 | Roller-Deck |
| 4 | 94-7952-01 | 2 | Bracket-Guide |
| 5 | 3296-39 | 5 | Nut-Lock Ni |
| 6 | 3256-41 | 1 | Washer-Flat |
| 7 | 95-3953 | 1 | Guide - Belt |
| 8 | 3296-39 | 2 | Nut-Lock Ni |
| 9 | 3256-5 | 2 | Washer-Flat |
| 10 | 3231-21 | 2 | Screw-CARR |
| 11 | 3290-467 | 2 | Hairpin Cotter |
| 12 | 283-2 | 2 | Pin-Clevis |
| 13 | 93-8010 | 2 | Plate-Gage Wheel |
| 14 | 701756 | 2 | Wheel-Gage |
| 15 | 56-6591 | 2 | Wheel Bolt |
| 16 | 3296-59 | 2 | Nut-Lock Ni |
| 17 | 3231-25 | 4 | Screw-CARR |
| 18 | 3272-21 | 1 | Pin-Cotter |
| 19 | 29-4820 | 1 | Roller |
| 20 | 3296-42 | 1 | Nut-Lock Ni |
| 21 | 118960-03 | 1 | Shaft-Roller |
| 22 | 321-4 | 1 | Screw-HH |
| 23 | 3256-2 | 2 | Washer-Flat |
| 24 | 3230-23 | 6 | Screw-CARR |
| 25 | 3211-15 | 2 | Screw-HH |
| 26 | 3296-5 | 2 | Nut-Lock Ni |

| Ref. No. | Part No. | Qty. | Description |
|----------|------------|------|------------------------|
| 27 | 98-5049 | 1 | Deflector ASM w/Decals |
| 28 | 40-6230 | 2 | Spring |
| 29 | 29-5590-03 | 2 | Bracket-Pivot |
| 30 | 3296-29 | 7 | Nut-Lock Ni |
| 31 | 98-5087 | 1 | Deck ASM w/Decals |
| 32 | 3296-16 | 2 | Nut-Lock Ni |
| 33 | 3256-1 | 2 | Washer-Flat |
| 34 | 95-2747 | 1 | Fitting - Washout |
| 35 | 46-6290 | 1 | O Ring |
| 36 | 3229-1 | 2 | Screw-CARR |
| 37 | 94-1981 | 2 | Spring - Gage Wheel |
| 38 | 32104-76 | 2 | Screw-Acorn Slot |
| 39 | 3231-22 | 1 | Screw-CARR |
| 40 | 95-3270 | 1 | Connector-Hose |

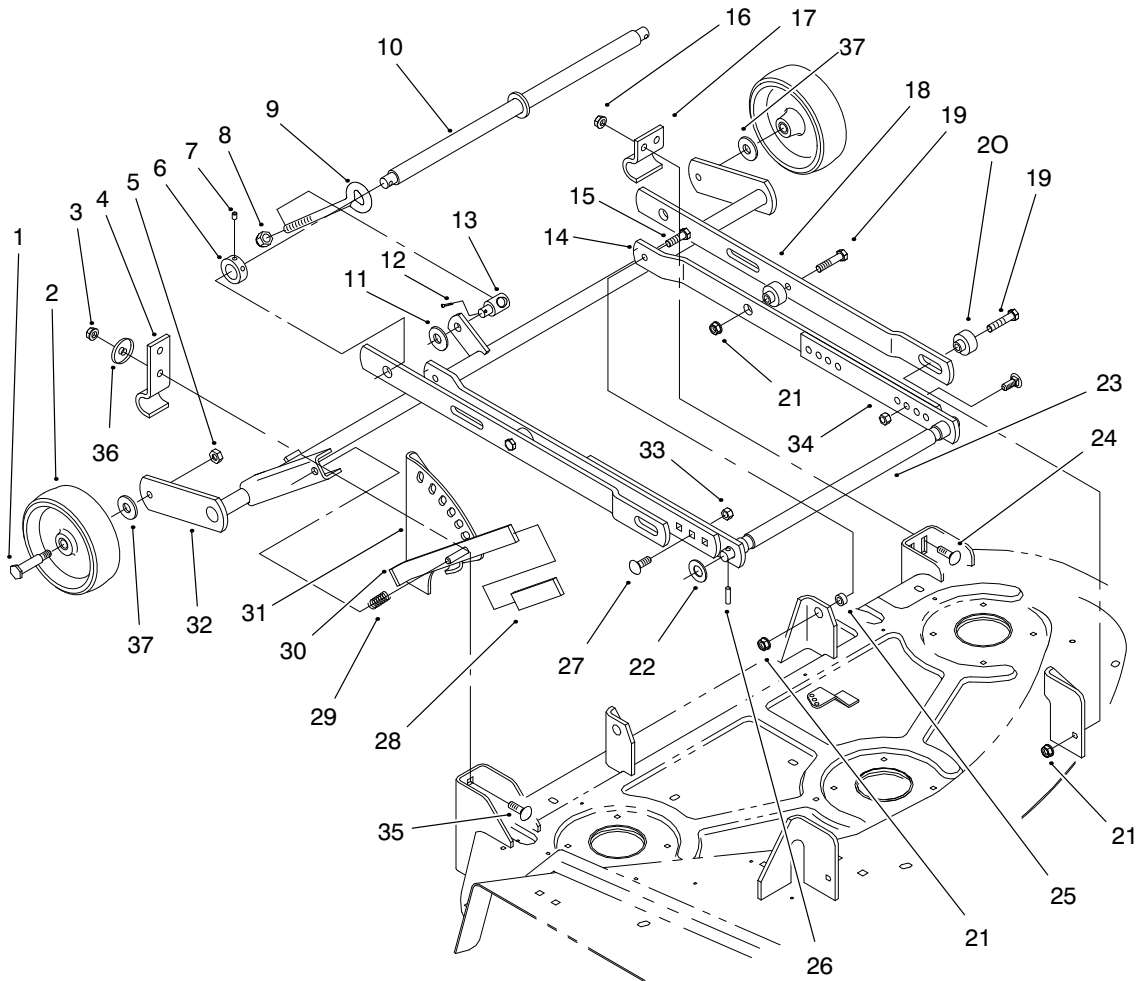


Sheet No.:3

Spindle And Blade Assembly

| Ref. No. | Part No. | Qty. | Description |
|----------|------------|------|---------------------------|
| 1 | 95-4228 | 1 | Belt-V |
| 2 | 3296-39 | 1 | Nut-Lock Ni |
| 3 | 3256-3 | 2 | Washer-Flat |
| 4 | 27-0410 | 1 | Screw-Shoulder |
| 5 | 5-4460 | 1 | Washer-Pivot |
| 6 | 302-5 | 3 | Fitting-Lube |
| 7 | 3219-6 | 3 | Nut-Hex |
| 8 | 94-7552 | 1 | Pulley-Double |
| 9 | 32144-41 | 12 | Screw-Taptite |
| 10 | 95-4251-01 | 1 | Cover-Cover |
| 11 | 46-8560 | 4 | Screw-Flange |
| 12 | 109966 | 6 | Bearing-Ball |
| 13 | 94-7959 | 3 | Spacer - Bearing |
| 14 | 88-4510 | 3 | Splindle-Diecast Aluminum |
| 15 | 80-4380 | 3 | Spacer |
| 16 | 94-7547 | 1 | Shaft-Center Spindle |
| 17 | 80-4360 | 3 | Shield-Bearing |
| 18 | 54-0010 | 3 | Blade 15.5" |
| 19 | 3290-465 | 3 | Washer-Belleville |
| 20 | 26-0671 | 3 | Screw-Blade |
| 21 | 3296-29 | 1 | Nut-Lock Ni |
| 22 | 3256-2 | 1 | Washer-Flat |
| 23 | 94-7546 | 2 | Shaft-Spindle |
| 24 | 57-6540 | 1 | Spring-Extension |
| 25 | 95-4252-01 | 1 | Cover-Belt |

| Ref. No. | Part No. | Qty. | Description |
|----------|------------|------|----------------------|
| 26 | 94-7550 | 2 | Pulley |
| 27 | 323-9 | 1 | Screw-HH |
| 28 | 57-6520-03 | 1 | Arm-Deck Drive Idler |
| 29 | 36-3220 | 1 | Pulley-Idler |

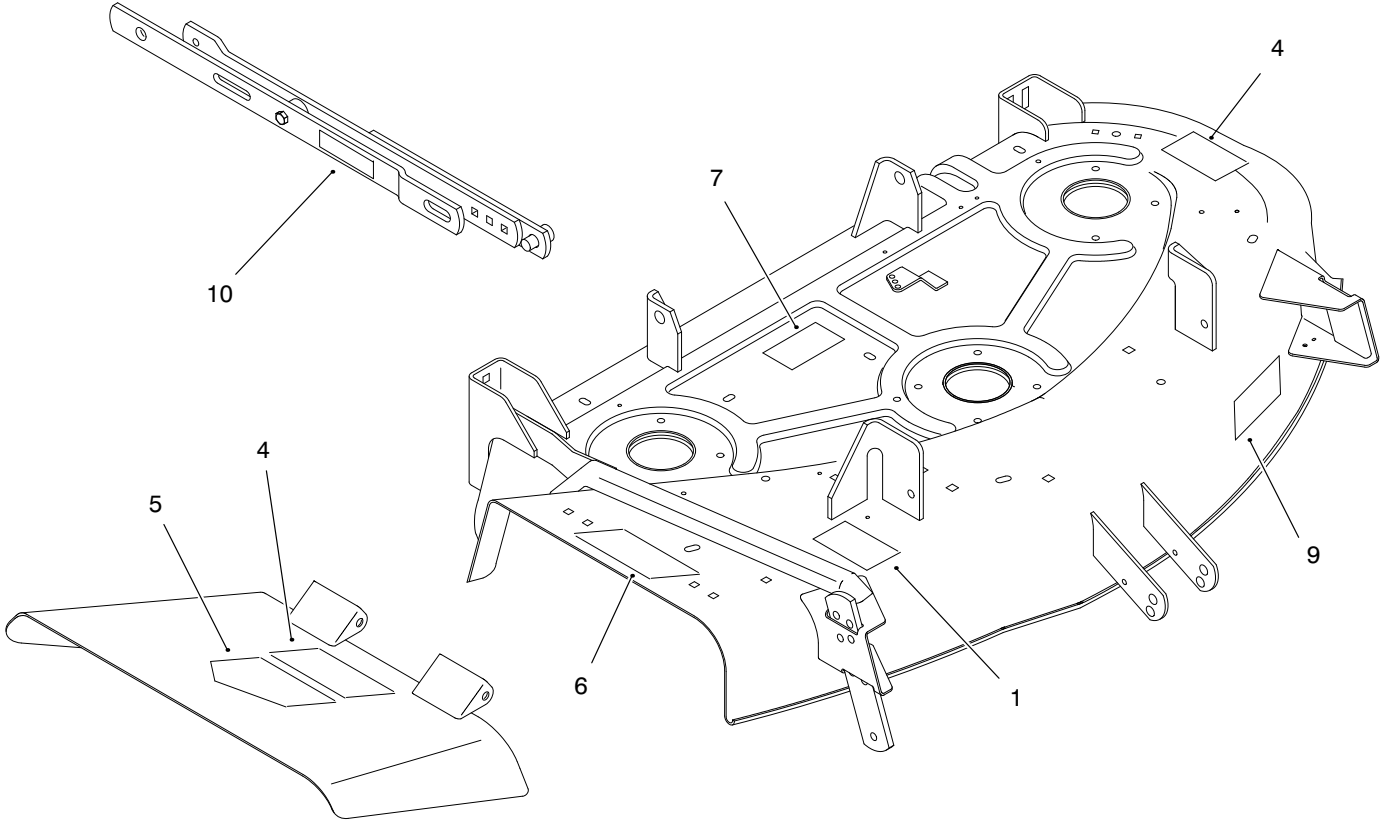


Sheet No.:4

Deck Suspension Assembly

| Ref. No. | Part No. | Qty. | Description |
|----------|------------|------|----------------------|
| 1 | 92-1057 | 2 | Bolt-Shoulder |
| 2 | 109375 | 2 | Wheel ASM |
| 3 | 3296-39 | 2 | Nut-Lock Ni |
| 4 | 110837-03 | 1 | Pivot-Bracket |
| 5 | 32146-2 | 2 | Nut-Lock Ni |
| 6 | 94-7953 | 1 | Collar |
| 7 | 3245-2 | 2 | Screw-Set, HSH |
| 8 | 3296-23 | 1 | Nut-Lock Ni |
| 9 | 94-7954 | 1 | Rod-Level Adjustment |
| 10 | 94-7943-01 | 1 | Shaft-Leveler |
| 11 | 3256-26 | 1 | Washer-Flat |
| 12 | 3272-12 | 1 | Pin-Cotter |
| 13 | 94-7802 | 1 | Trunnion |
| 14 | 94-7801-01 | 2 | Draftbar |
| 15 | 323-7 | 2 | Screw-HH |
| 16 | 32128-40 | 2 | Nut-Flange |
| 17 | 94-7543-03 | 1 | Clamp |
| 18 | 98-5042 | 1 | LH Leveler ASM |
| 18 | 98-5044 | 1 | RH Leveler ASM |
| 19 | 323-9 | 4 | Screw-HH |
| 20 | 115706 | 4 | Spacer |
| 21 | 102809 | 6 | Locknut-Flange |
| 22 | 3256-69 | 4 | Washer-Flat |
| 23 | 94-2130-01 | 1 | Shaft-Draftbar |
| 24 | 3231-2 | 2 | Screw-CARR |
| 25 | 114127 | 2 | Spacer |

| Ref. No. | Part No. | Qty. | Description |
|----------|------------|------|-------------------------------|
| 26 | 933216 | 4 | Pin-Roll, Spirol |
| 27 | 3231-38 | 4 | Screw-CARR |
| 28 | 102597 | 1 | Grip |
| 29 | 101853 | 1 | Spring-Compression |
| 30 | 94-7965-01 | 1 | Lever-HOC |
| 31 | 94-7544-01 | 1 | Quad-Deck |
| 32 | 94-7554-01 | 1 | Support-Wheel |
| 33 | 32152-2 | 4 | Nut-Conelock |
| 34 | 94-7804-01 | 2 | Draftbar-Adj |
| 35 | 3231-4 | 2 | Screw-CARR |
| 36 | 98-3479 | 1 | Washer-Support, Pivot Bracket |
| 37 | 9202424 | 2 | Spacer |



Sheet No.:7

Decal Locations

| Ref. No. | Part No. | Qty. | Description |
|----------|----------|------|--------------------------|
| 1 | 98-3481 | 1 | Decal – PTO Belt Routing |
| 4 | 93-7317 | 2 | Decal – Danger |
| 5 | 93-7316 | 1 | Decal – Danger |
| 6 | 93-7009 | 1 | Decal-Deflector Danger |
| 7 | 98-3489 | 1 | Decal – Belt Routing |
| 9 | 93-7282 | 1 | Decal-Wheel Adjustment |
| 10 | 93-9367 | 2 | Decal – Warning |

| Ref. No. | Part No. | Qty. | Description |
|----------|----------|------|-------------|
| | | | |
| | | | |
| | | | |
| | | | |
| | | | |
| | | | |
| | | | |
| | | | |
| | | | |
| | | | |

Toro Part Number Index

| Part No. | Page No. | Ref. No. | Qty. | Description |
|------------|----------|----------|------|---------------------------|
| 101851 | 4 | 12 | 1 | Knob-Adj |
| 101853 | 3 | 29 | 1 | Spring-Compression |
| 102597 | 3 | 28 | 1 | Grip |
| 102809 | 3 | 21 | 6 | Locknut-Flange |
| 108571 | 4 | 10 | 1 | Washer-Spring |
| 109375 | 3 | 2 | 2 | Wheel ASM |
| 109966 | 2 | 12 | 6 | Bearing-Ball |
| 114127 | 3 | 25 | 2 | Spacer |
| 115706 | 3 | 20 | 4 | Spacer |
| 701756 | 1 | 14 | 2 | Wheel-Gage |
| 933156 | 4 | 11 | 1 | Pin-Spirol, Roll |
| 933216 | 3 | 26 | 4 | Pin-Roll, Spirol |
| 9202424 | 3 | 37 | 2 | Spacer |
| 5-4460 | 2 | 5 | 1 | Washer-Pivot |
| 19-1471 | 4 | 17 | 1 | Screw-Shoulder |
| 26-0671 | 2 | 20 | 3 | Screw-Blade |
| 27-0410 | 2 | 4 | 1 | Screw-Shoulder |
| 29-4820 | 1 | 19 | 1 | Roller |
| 29-5590-03 | 1 | 29 | 2 | Bracket-Pivot |
| 36-1740 | 1 | 3 | 1 | Roller-Deck |
| 36-3220 | 2 | 29 | 1 | Pulley-Idler |
| 40-6230 | 1 | 28 | 2 | Spring |
| 46-6290 | 1 | 35 | 1 | O Ring |
| 46-8560 | 2 | 11 | 4 | Screw-Flange |
| 54-0010 | 2 | 18 | 3 | Blade 15.5" |
| 56-6591 | 1 | 15 | 2 | Wheel Bolt |
| 57-6520-03 | 2 | 28 | 1 | Arm-Deck Drive Idler |
| 57-6540 | 2 | 24 | 1 | Spring-Extension |
| 62-4480 | 1 | 2 | 1 | Rod-Roller |
| 80-4360 | 2 | 17 | 3 | Shield-Bearing |
| 80-4380 | 2 | 15 | 3 | Spacer |
| 88-4510 | 2 | 14 | 3 | Splindle-Diecast Aluminum |
| 92-1057 | 3 | 1 | 2 | Bolt-Shoulder |
| 93-7009 | 5 | 6 | 1 | Decal-Deflector Danger |
| 93-7282 | 5 | 9 | 1 | Decal-Wheel Adjustment |
| 93-7316 | 5 | 5 | 1 | Decal - Danger |
| 93-7317 | 5 | 4 | 2 | Decal - Danger |
| 93-8010 | 1 | 13 | 2 | Plate-Gage Wheel |
| 93-9367 | 5 | 10 | 2 | Decal - Warning |
| 94-1981 | 1 | 37 | 2 | Spring - Gage Wheel |
| 94-2130-01 | 3 | 23 | 1 | Shaft-Draftbar |
| 94-2284-01 | 4 | 3 | 1 | Lever-Idler |
| 94-2287-03 | 4 | 8 | 1 | Box-Pulley |
| 94-2288 | 4 | 18 | 1 | Rod - Tension |
| 94-2423 | 4 | 5 | 1 | Rod-Pivot |
| 94-2447 | 4 | 2 | 2 | Pulley - Idler |
| 94-2449 | 4 | 7 | 1 | Ferrule - Adjuster |
| 94-2460 | 4 | 16 | 1 | Spring - Extension |
| 94-2462-01 | 4 | 20 | 1 | Arm-Idler |
| 94-7543-03 | 3 | 17 | 1 | Clamp |
| 94-7544-01 | 3 | 31 | 1 | Quad-Deck |
| 94-7546 | 2 | 23 | 2 | Shaft-Spindle |
| 94-7547 | 2 | 16 | 1 | Shaft-Center Spindle |
| 94-7550 | 2 | 26 | 2 | Pulley |
| 94-7552 | 2 | 8 | 1 | Pulley-Double |
| 94-7554-01 | 3 | 32 | 1 | Support-Wheel |
| 94-7764 | 4 | 13 | 1 | Tensioner-Idler |
| 94-7801-01 | 3 | 14 | 2 | Draftbar |
| 94-7802 | 3 | 13 | 1 | Trunnion |
| 94-7804-01 | 3 | 34 | 2 | Draftbar-Adj |
| 94-7943-01 | 3 | 10 | 1 | Shaft-Leveler |
| 94-7952-01 | 1 | 4 | 2 | Bracket-Guide |

*Not Illustrated

Toro Part Number Index (cont.)

| Part No. | Page No. | Ref. No. | Qty. | Description |
|------------|----------|----------|------|-------------------------------|
| 94-7953 | 3 | 6 | 1 | Collar |
| 94-7954 | 3 | 9 | 1 | Rod-Level Adjustment |
| 94-7959 | 2 | 13 | 3 | Spacer - Bearing |
| 94-7965-01 | 3 | 30 | 1 | Lever-HOC |
| 95-2747 | 1 | 34 | 1 | Fitting - Washout |
| 95-3270 | 1 | 40 | 1 | Connector-Hose |
| 95-3953 | 1 | 7 | 1 | Guide - Belt |
| 95-4094 | 4 | 21 | 1 | Belt-V |
| 95-4228 | 2 | 1 | 1 | Belt-V |
| 95-4251-01 | 2 | 10 | 1 | Cover-Cover |
| 95-4252-01 | 2 | 25 | 1 | Cover-Belt |
| 98-3479 | 3 | 36 | 1 | Washer-Support, Pivot Bracket |
| 98-3481 | 5 | 1 | 1 | Decal - PTO Belt Routing |
| 98-3489 | 5 | 7 | 1 | Decal - Belt Routing |
| 98-5042 | 3 | 18 | 1 | LH Leveler ASM |
| 98-5044 | 3 | 18 | 1 | RH Leveler ASM |
| 98-5049 | 1 | 27 | 1 | Deflector ASM w/Decals |
| 98-5087 | 1 | 31 | 1 | Deck ASM w/Decals |
| 110837-03 | 3 | 4 | 1 | Pivot-Bracket |
| 118960-03 | 1 | 21 | 1 | Shaft-Roller |
| 283-2 | 1 | 12 | 2 | Pin-Clevis |
| 302-5 | 2 | 6 | 3 | Fitting-Lube |
| 302-5 | 4 | 19 | 2 | Fitting-Lube |
| 321-4 | 1 | 22 | 1 | Screw-HH |
| 322-4 | 1 | 1 | 1 | Screw-HH |
| 323-7 | 3 | 15 | 2 | Screw-HH |
| 323-9 | 2 | 27 | 1 | Screw-HH |
| 323-9 | 3 | 19 | 4 | Screw-HH |
| 323-10 | 4 | 4 | 2 | Screw-HH |
| 3211-15 | 1 | 25 | 2 | Screw-HH |
| 3219-6 | 2 | 7 | 3 | Nut-Hex |
| 3229-1 | 1 | 36 | 2 | Screw-CARR |
| 3230-23 | 1 | 24 | 6 | Screw-CARR |
| 3231-2 | 3 | 24 | 2 | Screw-CARR |
| 3231-4 | 3 | 35 | 2 | Screw-CARR |
| 3231-21 | 1 | 10 | 2 | Screw-CARR |
| 3231-22 | 1 | 39 | 1 | Screw-CARR |
| 3231-25 | 1 | 17 | 4 | Screw-CARR |
| 3231-38 | 3 | 27 | 4 | Screw-CARR |
| 3245-2 | 3 | 7 | 2 | Screw-Set, HSH |
| 3256-1 | 1 | 33 | 2 | Washer-Flat |
| 3256-2 | 1 | 23 | 2 | Washer-Flat |
| 3256-2 | 2 | 22 | 1 | Washer-Flat |
| 3256-3 | 2 | 3 | 2 | Washer-Flat |
| 3256-5 | 1 | 9 | 2 | Washer-Flat |
| 3256-24 | 4 | 9 | 1 | Washer-Flat |
| 3256-26 | 3 | 11 | 1 | Washer-Flat |
| 3256-41 | 1 | 6 | 1 | Washer-Flat |
| 3256-69 | 3 | 22 | 4 | Washer-Flat |
| 3272-12 | 3 | 12 | 1 | Pin-Cotter |
| 3272-21 | 1 | 18 | 1 | Pin-Cotter |
| 3290-465 | 2 | 19 | 3 | Washer-Belleville |
| 3290-467 | 1 | 11 | 2 | Hairpin Cotter |
| 3296-5 | 1 | 26 | 2 | Nut-Lock Ni |
| 3296-16 | 1 | 32 | 2 | Nut-Lock Ni |
| 3296-23 | 3 | 8 | 1 | Nut-Lock Ni |
| 3296-29 | 1 | 30 | 7 | Nut-Lock Ni |
| 3296-29 | 2 | 21 | 1 | Nut-Lock Ni |
| 3296-29 | 4 | 14 | 1 | Nut-Lock Ni |
| 3296-39 | 1 | 5 | 5 | Nut-Lock Ni |
| 3296-39 | 1 | 8 | 2 | Nut-Lock Ni |
| 3296-39 | 2 | 2 | 1 | Nut-Lock Ni |

*Not Illustrated

Toro Part Number Index (cont.)

| Part No. | Page No. | Ref. No. | Qty. | Description |
|-----------------|-----------------|-----------------|-------------|--------------------|
| 3296-39 | 3 | 3 | 2 | Nut-Lock Ni |
| 3296-39 | 4 | 1 | 2 | Nut-Lock Ni |
| 3296-42 | 1 | 20 | 1 | Nut-Lock Ni |
| 3296-59 | 1 | 16 | 2 | Nut-Lock Ni |
| 32104-76 | 1 | 38 | 2 | Screw-Acorn Slot |
| 32128-40 | 3 | 16 | 2 | Nut-Flange |
| 32144-41 | 2 | 9 | 12 | Screw-Taptite |
| 32144-70 | 4 | 6 | 1 | Screw-HH |
| 32146-2 | 3 | 5 | 2 | Nut-Lock Ni |
| 32152-2 | 3 | 33 | 4 | Nut-Conelock |
| 32152-9 | 4 | 15 | 1 | Locknut |

