



Armrest Kit For Z-Master™ Series

Part No. 99-4635

**INSTALLATION
INSTRUCTIONS**

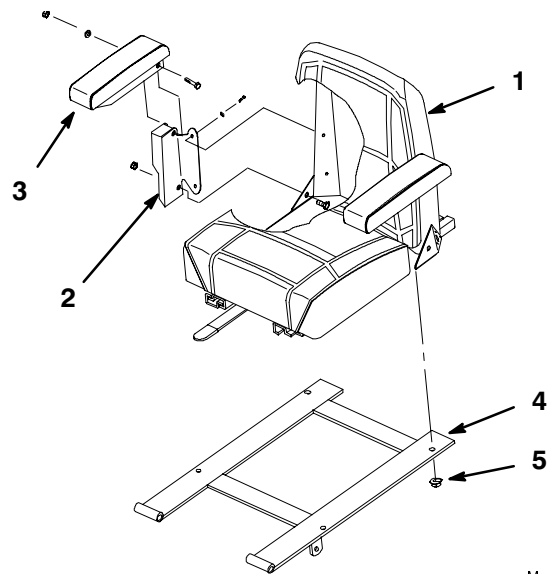
Loose Parts

Note: Use the chart below to identify parts for assembly.

DESCRIPTION	QTY.	USE
Seat Assembly	1	Install Seat Assembly
Right Hand Armrest Bracket	1	Install Right Hand Armrest

Installing Seat

1. Remove old seat by removing the four nuts that attach it to the seat frame. Retain nuts for installing new seat.
2. Position new seat so that the four bolts go into the seat frame (Fig. 1).
3. Install nuts onto bolts and tighten to seat frame (Fig. 1).



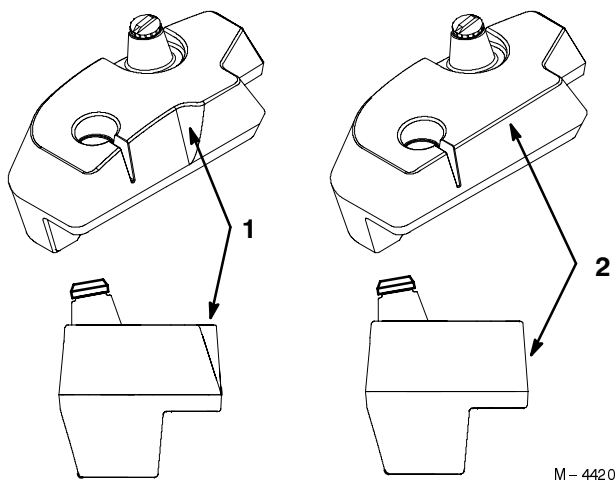
M-4421

Figure 1

- | | |
|----------------------------------|---------------|
| 1. Seat | 4. Seat Frame |
| 2. New Righthand Armrest Bracket | 5. Nut |
| 3. Armrest cushion and support | |

Installing Righthand Armrest Bracket

Note: If you have a righthand fuel tank that is not beveled, you will have to replace the righthand arm rest. Refer to Figure 2 to identify which gas tank you have.



M-4420

Figure 2

1. Gas Tank With Bevel 2. Gas Tank Without Bevel
-

1. Remove the existing armrest assembly from seat (Fig. 1).
2. Remove the armrest cushion and support from armrest assembly (Fig. 1).
3. Install armrest cushion onto the new bracket (Fig. 1).
4. Install righthand armrest assembly onto new seat (Fig. 1).