



**Count on it.**

**Parts Catalog**

**MH-400SH2**  
**Material Handler**

Model No. 44931—Serial No. 403350001 and Up



# Ordering Replacement Parts

To order replacement parts, please supply the part number, the quantity, and the description of each part desired.

## Understanding Reference Numbers

Each identified part in an illustration has a reference number. The reference number for a part also appears in the parts list, along with other information about the part.

This catalog uses two special reference number formats, one to indicate parts in a service assembly and another to indicate the quantity of a given part in an illustration.

## Service Assembly Reference Numbers

Parts in service assemblies have reference numbers in the form a:b. The a represents the reference number of the entire service assembly and the b represents a sequential number unique to each part within the service assembly.

For example, a wheel assembly might be identified by reference number 6, the tire by 6:1, the valve by 6:2, and the wheel by 6:3. When you order the assembly identified by reference number 6, you receive all parts identified by reference numbers 6:1, 6:2, and 6:3. However, you may also order any part individually. Reference numbers of this type appear in illustration and in parts lists.

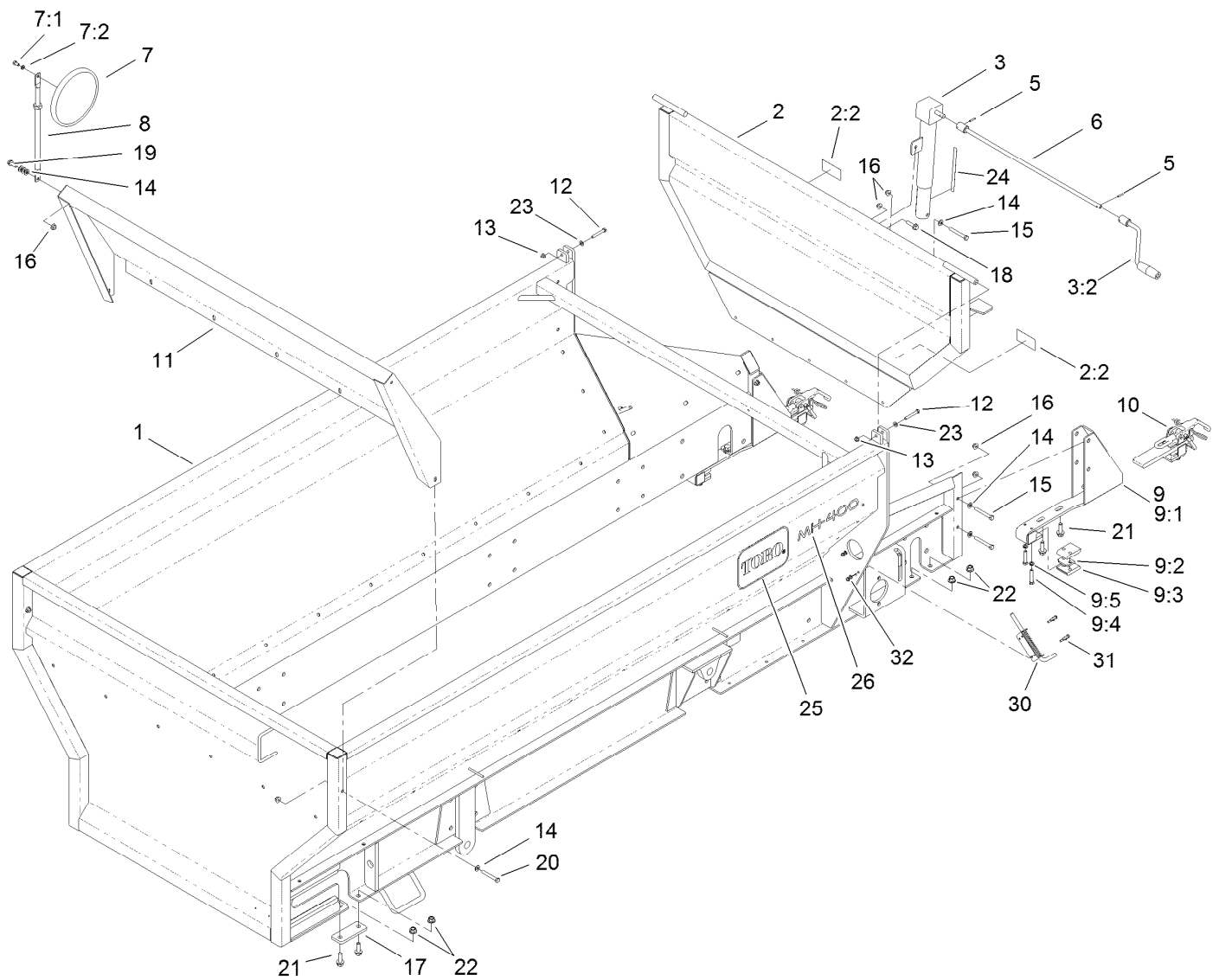
## Reference Numbers Indicating Quantity

In an illustration, if a reference number indicates more than one part, the reference number has the form nX y. The n represents the quantity of the part, the X is the multiplication symbol, and the y represents the reference number.

For example, in an illustration, the reference number 2X 37 means that two of the parts identified by reference number 37 are indicated.

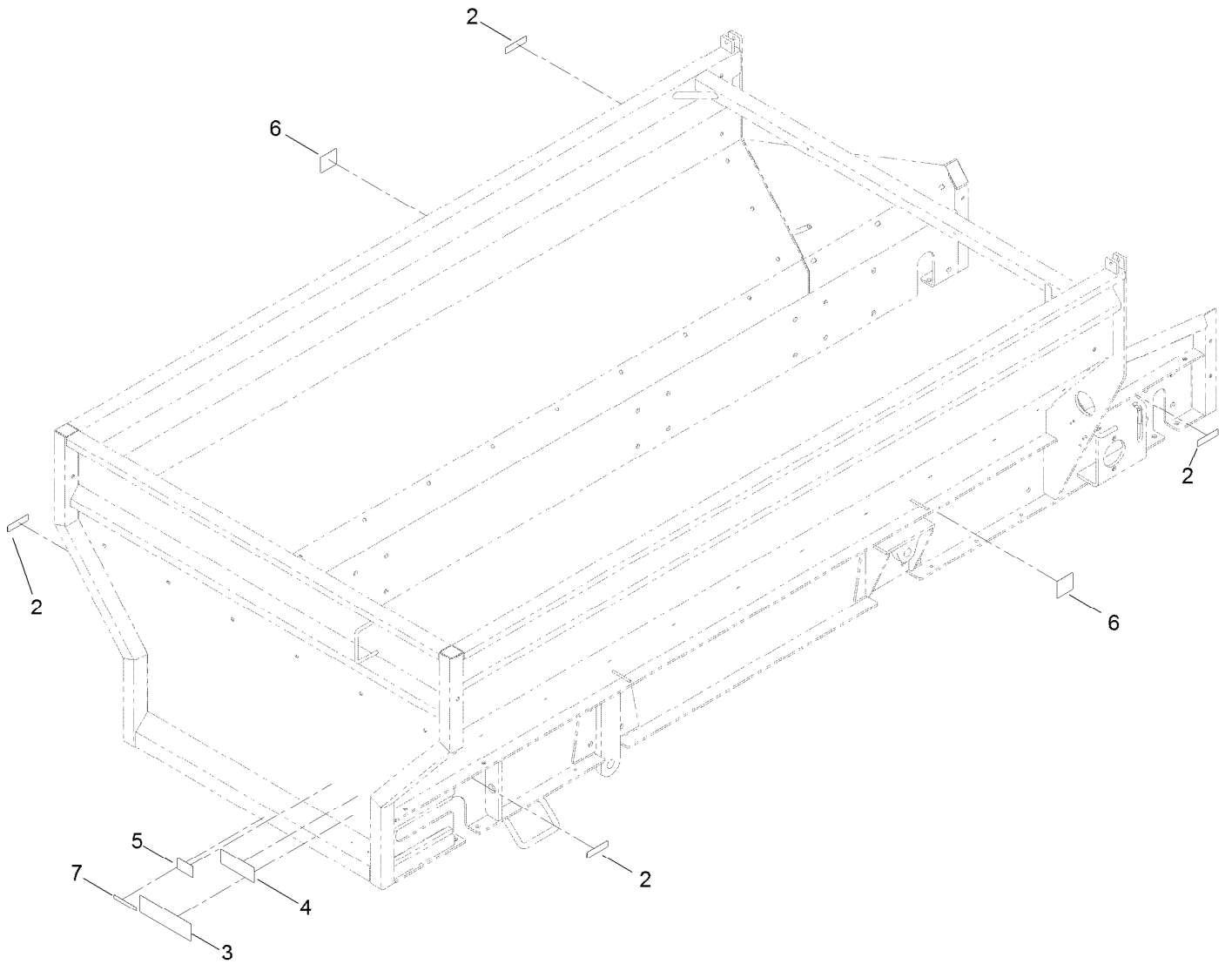
# Contents

Box Frame Assembly .....	4
Box Frame Decal Assembly No. 120-0890 .....	5
Attachment Clamp Assembly No. T36015800 .....	6
Guard Assembly .....	7
Hitch Assembly .....	8
Belt and Skirting Assembly .....	9
Skirting Assembly .....	10
Conveyor Assembly .....	11
Chain Drive Assembly .....	12
Wheel Assembly .....	13
RH Shaft Assembly No. 120-9401 .....	14
LH Brake Assembly No. 120-9437 .....	15
Hub Assembly No. 120-9404 .....	16
LH Shaft Assembly No. 120-9402 .....	17
RH Brake Assembly No. 120-9436 .....	18
Hydraulic Valve and Manifold Assembly .....	19
Conveyor Belt Manifold Assembly No. 125-0149 .....	21
Hydraulic Hose and Clamp Assembly .....	22
Hydraulic Cylinder and Junction Box Manifold Assembly .....	23
Hydraulic Hose Assembly .....	24
Hydraulic Guard Box Assembly .....	25
Hydraulic Motor Assembly No. T0000-5303 .....	26
Electrical Assembly .....	27
Brake Electrical Assembly .....	28
Attachments and Accessories .....	29



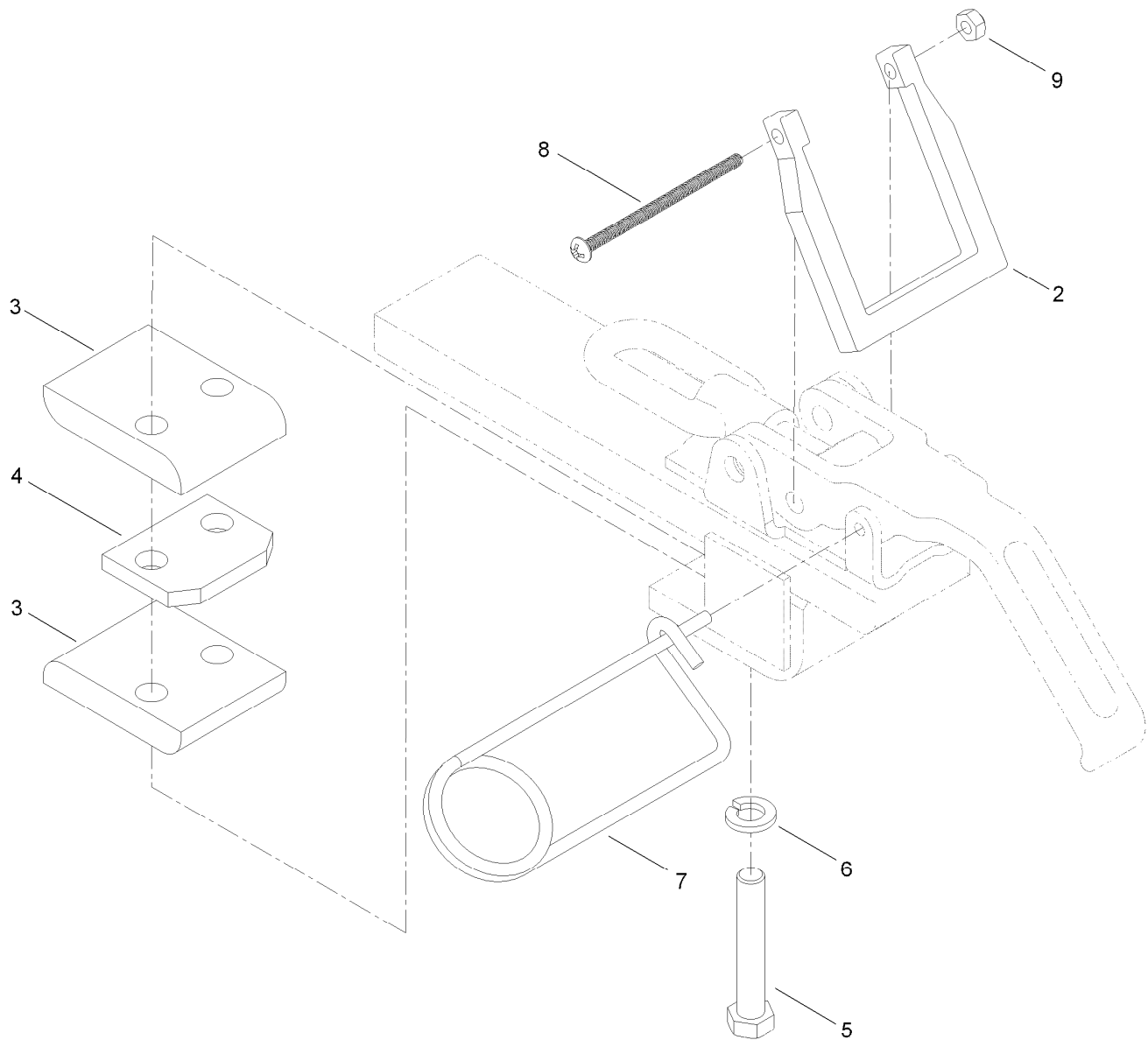
## Box Frame Assembly

Ref.	Part Number	Qty.	Description	Ref.	Part Number	Qty.	Description
1	120-0890	1	Box Frame ASM	12	322-11	2	Screw-HH
2	120-0891	1	Tailgate ASM	13	104-8300	2	Nut-HF, NI
2:2	119-6838	2	Decal-Warning, Conveyor	14	3256-24	10	Washer-Flat
3	T36031200	1	Tailgate Jack ASM	15	323-14	5	Screw-HH
3:2	T36031210	1	Handle-Crank	16	104-8301	14	Nut-HF, NI
5	32121-45	2	Pin-Spring	17	T36011650	2	Bar-Bridge
6	T36011220-01	1	Crank-Jack	18	114-4681	1	Screw-HHF
7	92-2678	1	Convex Mirror ASM	19	3234-42	6	Screw-HHF
7:1	322-2	1	Screw-HH	20	323-13	2	Screw-HH
7:2	3253-4	1	Washer-Lock	21	100-6116	8	Screw-HHF
8	125-0150	1	Mirror-Arm, Adjustable	22	99-5107	8	Nut-Lock
9	T36015790	2	Attachment Bracket ASM	23	3256-23	2	Washer-Plain
9:1	119-6872-01	1	Bracket-Attachment	24	119-6869	1	Decal-Adjustment, Tailgate
9:2	T01-13489B	1	Tab-Spacer	25	66-6140	3	Decal
9:3	T36015200	2	Bar-Bearing	26	119-6802	3	Decal
9:4	323-10	2	Screw-HH	30	T62021030	2	Latch-Spring
9:5	3253-21	2	Washer-Lock	31	321-6	8	Screw-HH
10	T36015800	2	Attachment Clamp ASM	32	104-7201	8	Nut-HF
11	119-6782-01	1	Panel-Front, Upper				



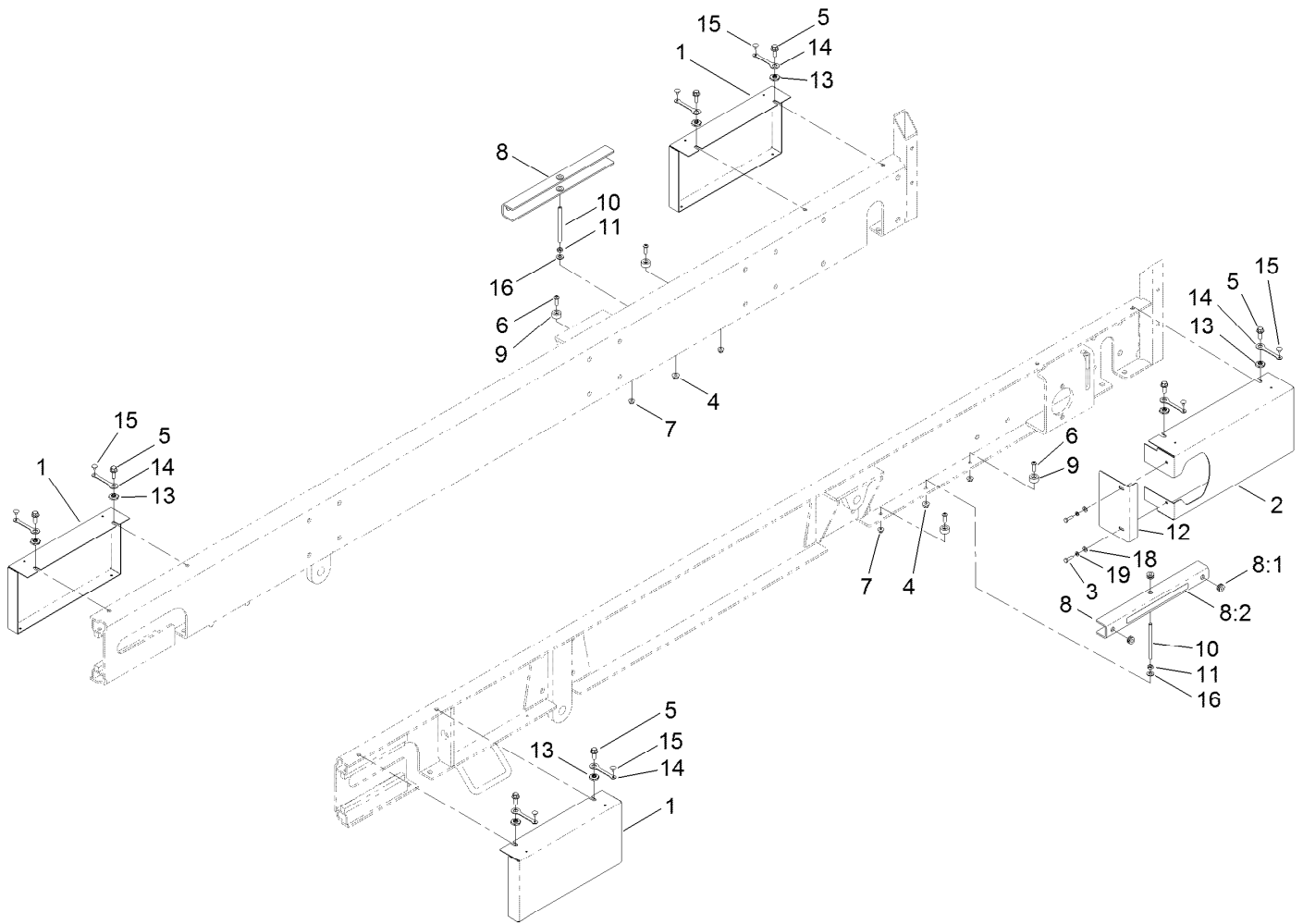
## Box Frame Decal Assembly No. 120-0890

<i>Ref.</i>	<i>Part Number</i>	<i>Qty.</i>	<i>Description</i>
2	119-0217	4	Decal-Danger
3	119-6806	1	Decal-Danger
4	119-6812	1	Decal-Warning, Tipping Hazard
5	119-6833	1	Decal-Max Load
6	93-9899	2	Decal-Warning
7	133-8061	1	Decal-Warning



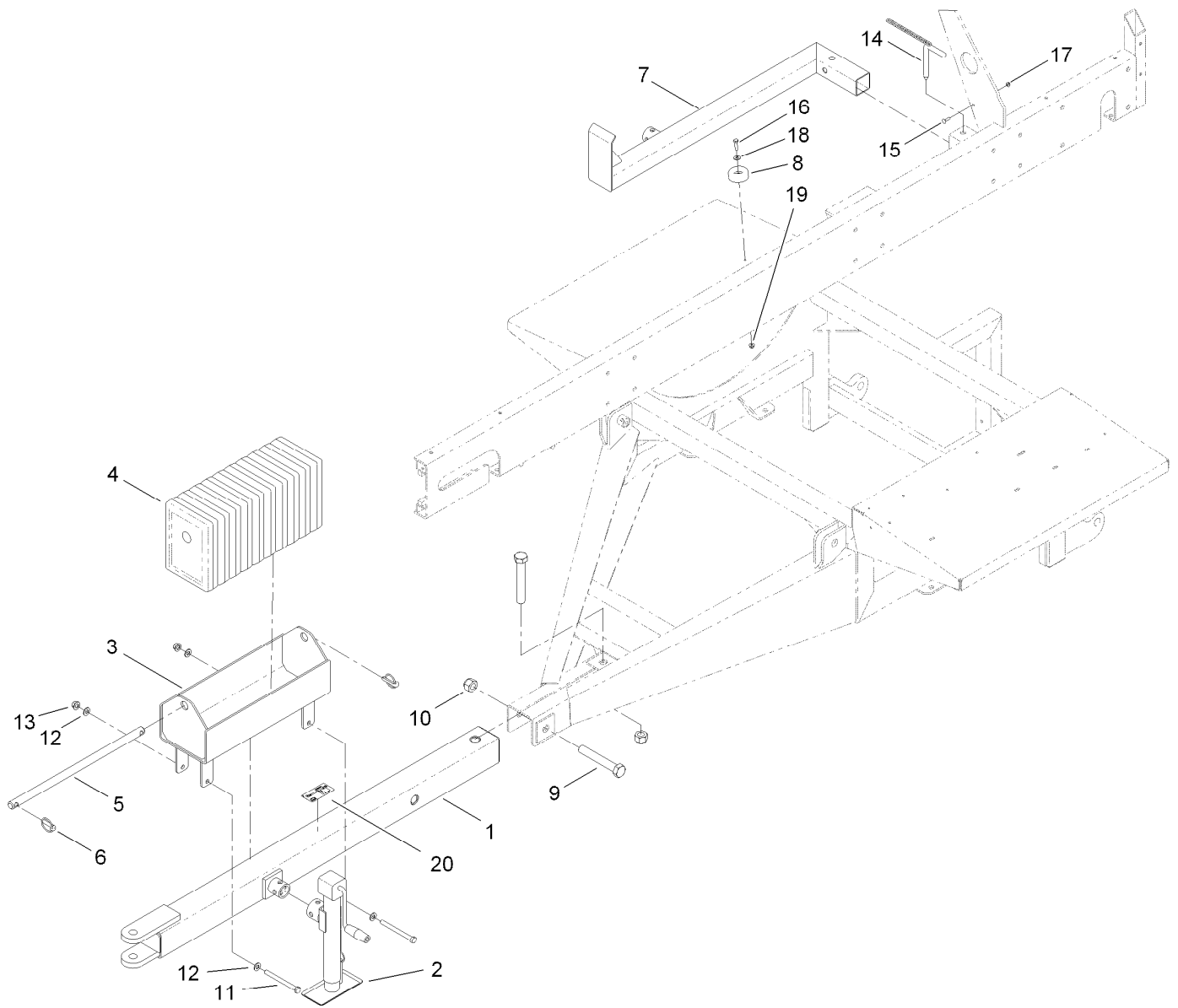
## Attachment Clamp Assembly No. T36015800

<i>Ref.</i>	<i>Part Number</i>	<i>Qty.</i>	<i>Description</i>
2	T36015794	1	Lock-Clamp, Attachment
3	T36015200	2	Bar-Bearing
4	T01-13489B	1	Tab-Spacer
5	323-11	2	Screw-HH
6	3253-21	2	Washer-Lock
7	T0000-3247	1	Pin-Lock
8	120-0884	1	Screw-PRH
9	3296-2	1	Nut-Lock, NI



## Guard Assembly

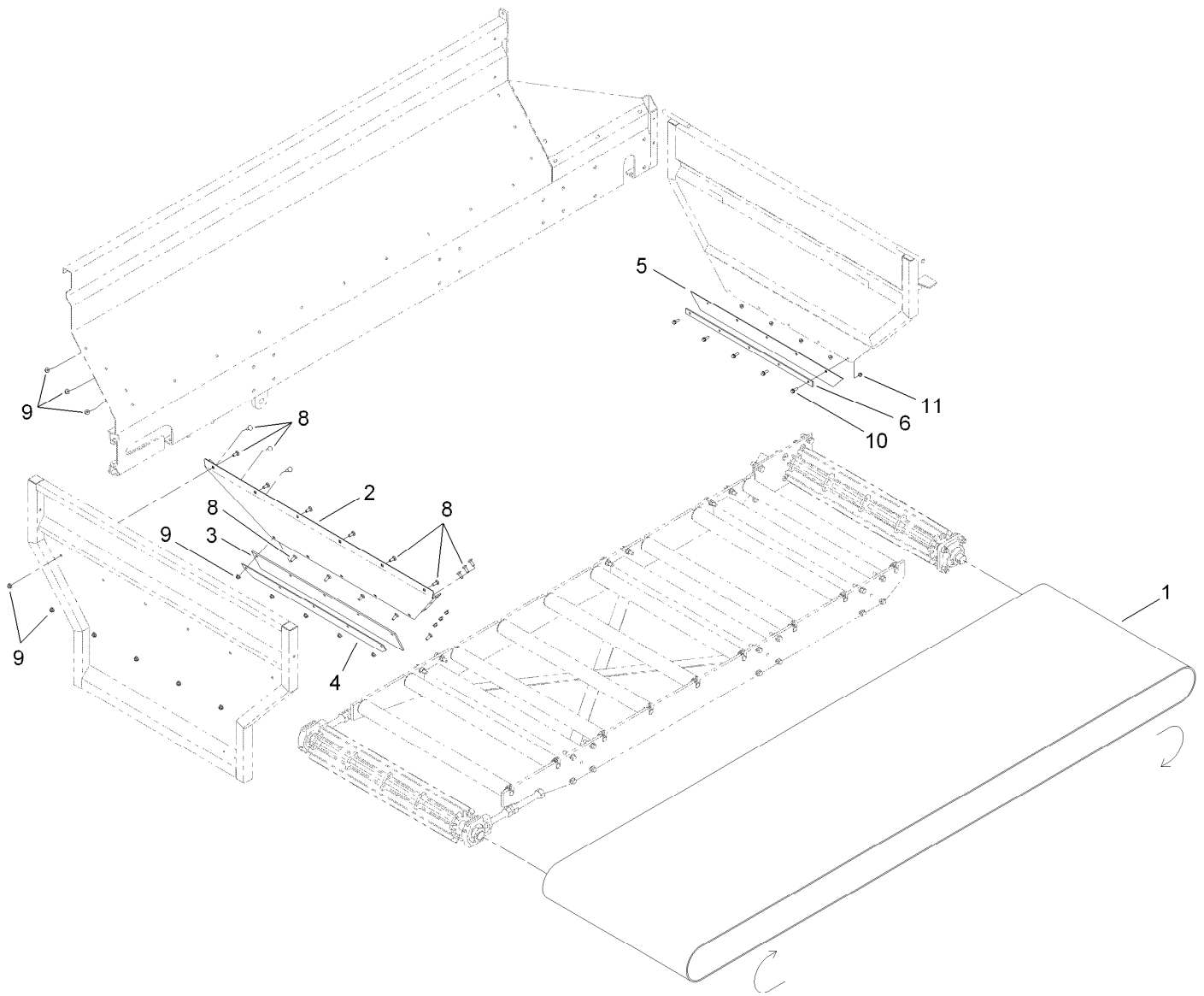
<i>Ref.</i>	<i>Part Number</i>	<i>Qty.</i>	<i>Description</i>	<i>Ref.</i>	<i>Part Number</i>	<i>Qty.</i>	<i>Description</i>
1	T36011630-03	3	Guard-Idler	9	T0001-3570	4	Spacer-Stop, Lift Cylinder
2	T36011640-03	1	Guard-Drive	10	T36011590	2	Pin-Stop, Lift Cylinder
3	321-5	2	Screw-HH	11	3218-3	2	Nut-Jam
4	104-8301	2	Nut-HF, NI	12	T0000-5529-03	1	Guard-Motor, Drive
5	3234-42	8	Screw-HHF	13	117-8347	8	Nut-Shoulder
6	3274-104	4	Screw-HSBH	14	117-8339	8	Lanyard-3 Inch
7	104-8300	4	Nut-HF, NI	15	146489	8	Rivet
8	T36011580	2	Lift Cylinder Stop ASM	16	3256-24	2	Washer-Flat
8:1	92-5972	4	Grommet-Rubber	18	3256-22	2	Washer-Flat
8:2	93-9852	1	Decal-Warning	19	3253-3	2	Washer-Lock



## Hitch Assembly

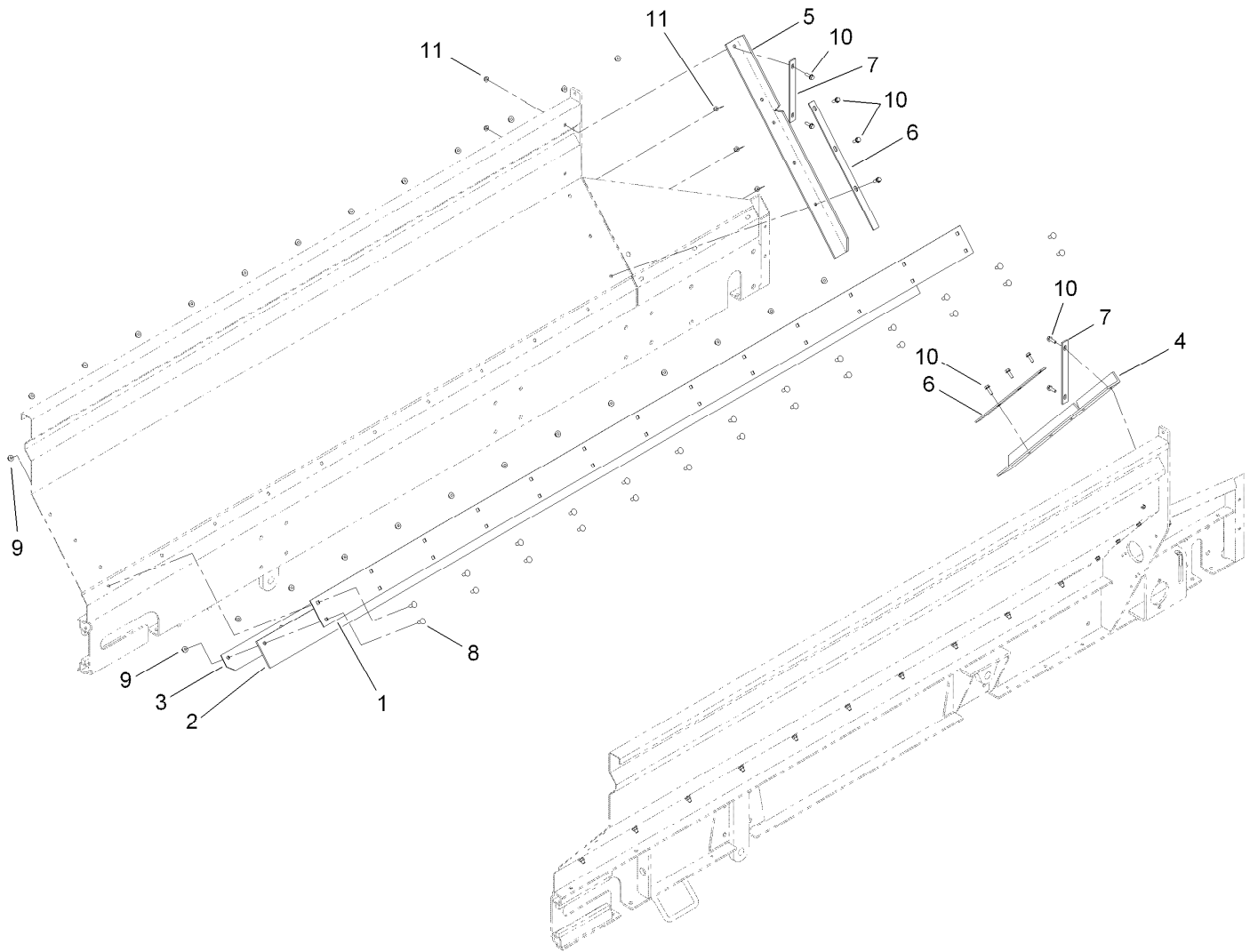
<i>Ref.</i>	<i>Part Number</i>	<i>Qty.</i>	<i>Description</i>	<i>Ref.</i>	<i>Part Number</i>	<i>Qty.</i>	<i>Description</i>
1	T36012112-01	1	Tube-Hitch	11	325-22	2	Screw-HH
2	T0000-3423	1	Jack-Sidewind	12	3256-26	4	Washer-Flat
3	T36028000-01	1	Box-Weight	13	99-5107	2	Nut-Lock
4	119-6860-01	10	Casting-Counterweight	14	T36011195	1	Pin
5	T36028010-01	1	Shaft-Weight Box	15	3229-2	1	Screw-CARR
6	283-71	2	Pin-Lynch	16	322-6	1	Screw-HH
7	T36011190-01	1	Leg-Jack	17	104-7201	1	Nut-HF
8	108-1605	1	Bumper-Recess	18	3256-3	1	Washer-Flat
9	120-0887	2	Screw-HH	19	104-8300	1	Nut-HF, NI
10	120-0888	2	Nut-HH	20	119-6836	1	Decal-Weight Case





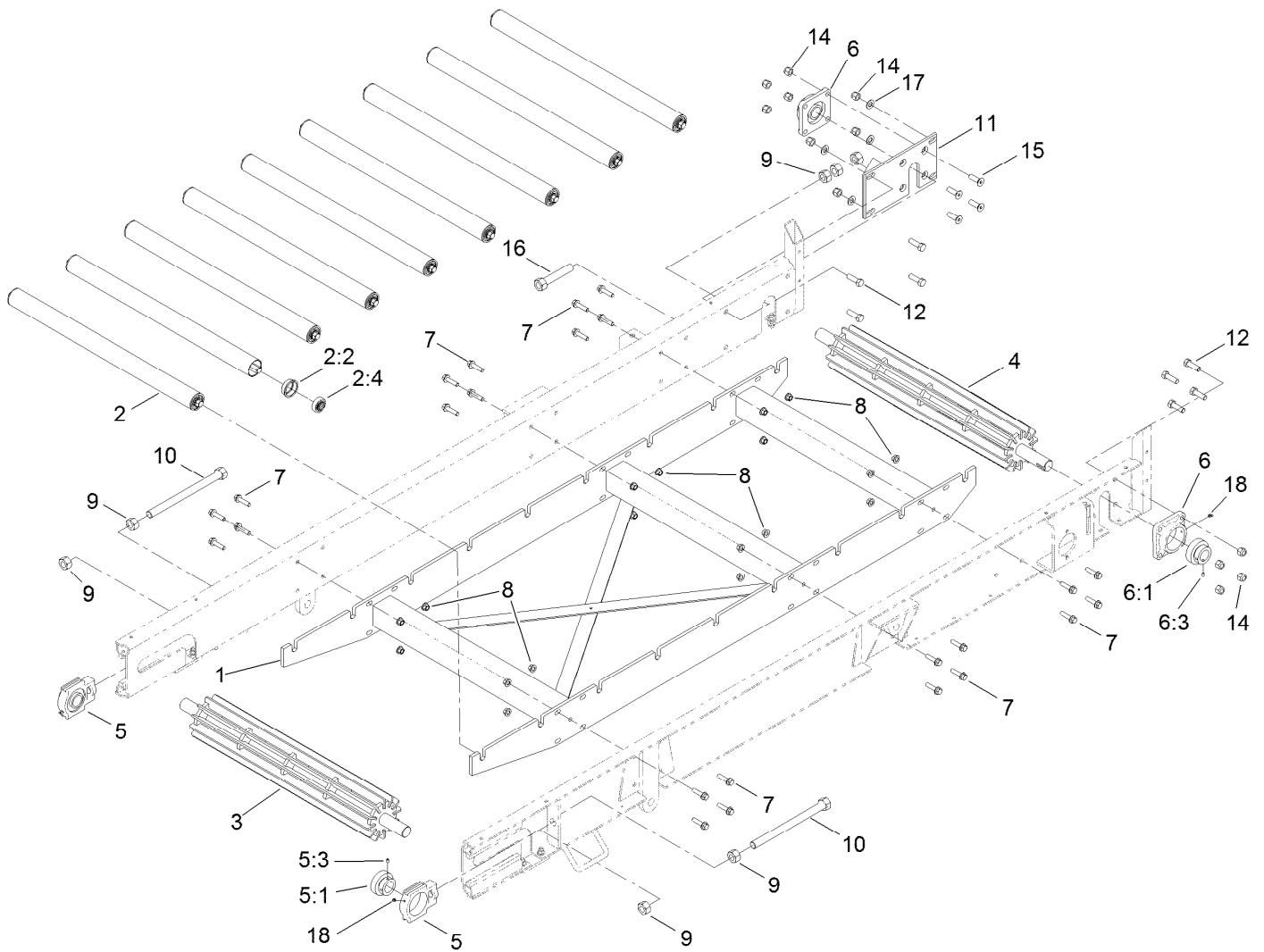
## Belt and Skirting Assembly

<i>Ref.</i>	<i>Part Number</i>	<i>Qty.</i>	<i>Description</i>
1	T60191215	1	Belt-Endless
2	T36011525-01	1	Panel-Sloped
3	T01-22002B	1	Skirt-Front Seal, Rubber
4	T36011535-01	1	Bar-Front Seal
5	T36013010	1	Seal-Belt
6	T36011230-01	1	Seal-Retainer, Belt
8	3231-22	17	Screw-CARR
9	104-8301	17	Nut-HF, NI
10	3234-29	5	Screw-HHF
11	104-8300	5	Nut-HF, NI



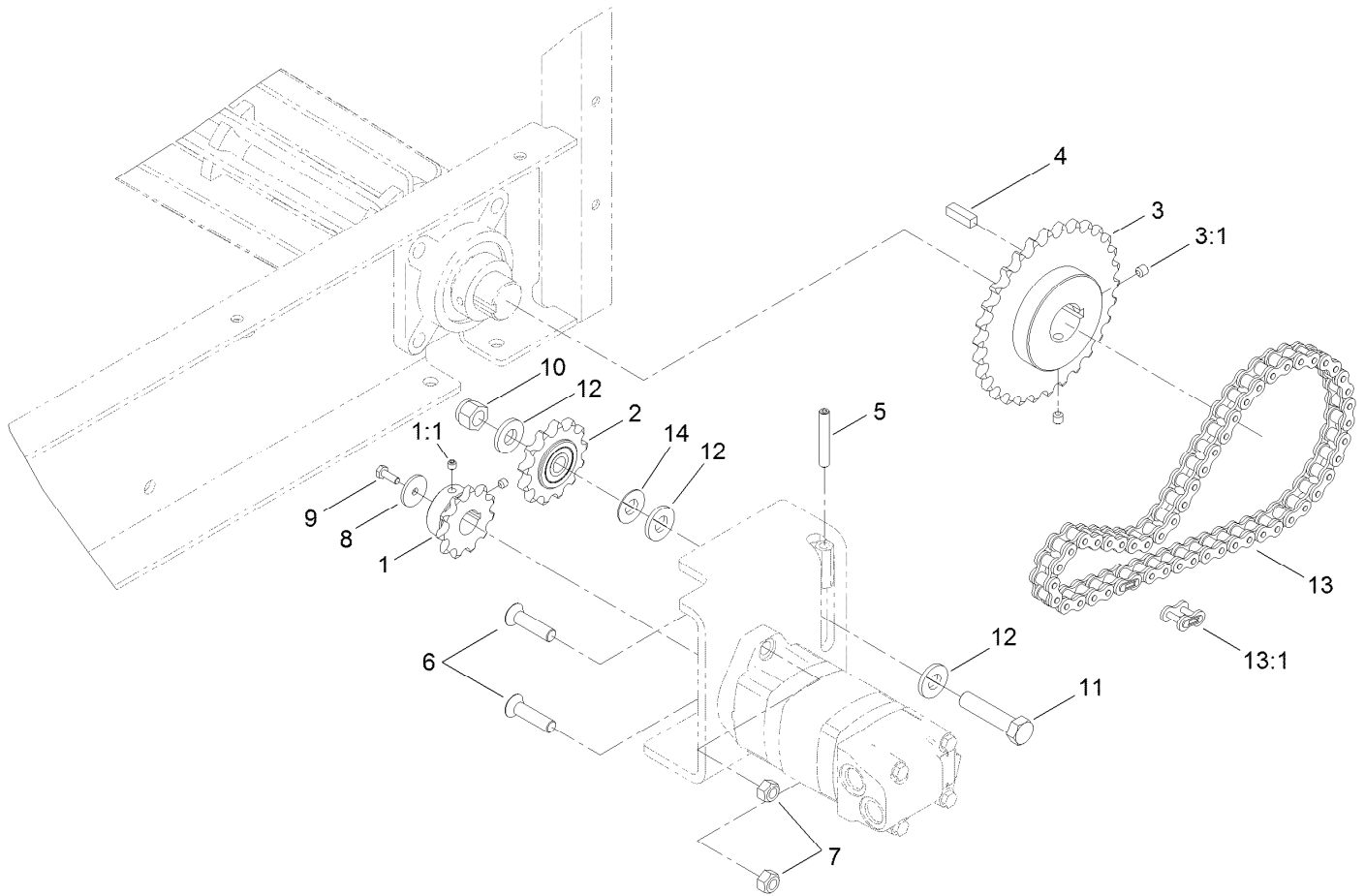
## Skirting Assembly

<i>Ref.</i>	<i>Part Number</i>	<i>Qty.</i>	<i>Description</i>
1	T36011520-01	2	Seal-Panel, Side
2	T01-22000B	2	Seal-Rubber, Side
3	T36011530-01	2	Seal-Bar, Side
4	T36011260	1	Seal-Tailgate, LH
5	T36011270	1	Seal-Tailgate, RH
6	T36011280-01	2	Seal-Bar, Lower
7	T36011290-01	2	Seal-Bar, Upper
8	3231-22	52	Screw-CARR
9	104-8301	52	Nut-HF, NI
10	3234-29	10	Screw-HHF
11	104-8300	10	Nut-HF, NI



## Conveyor Assembly

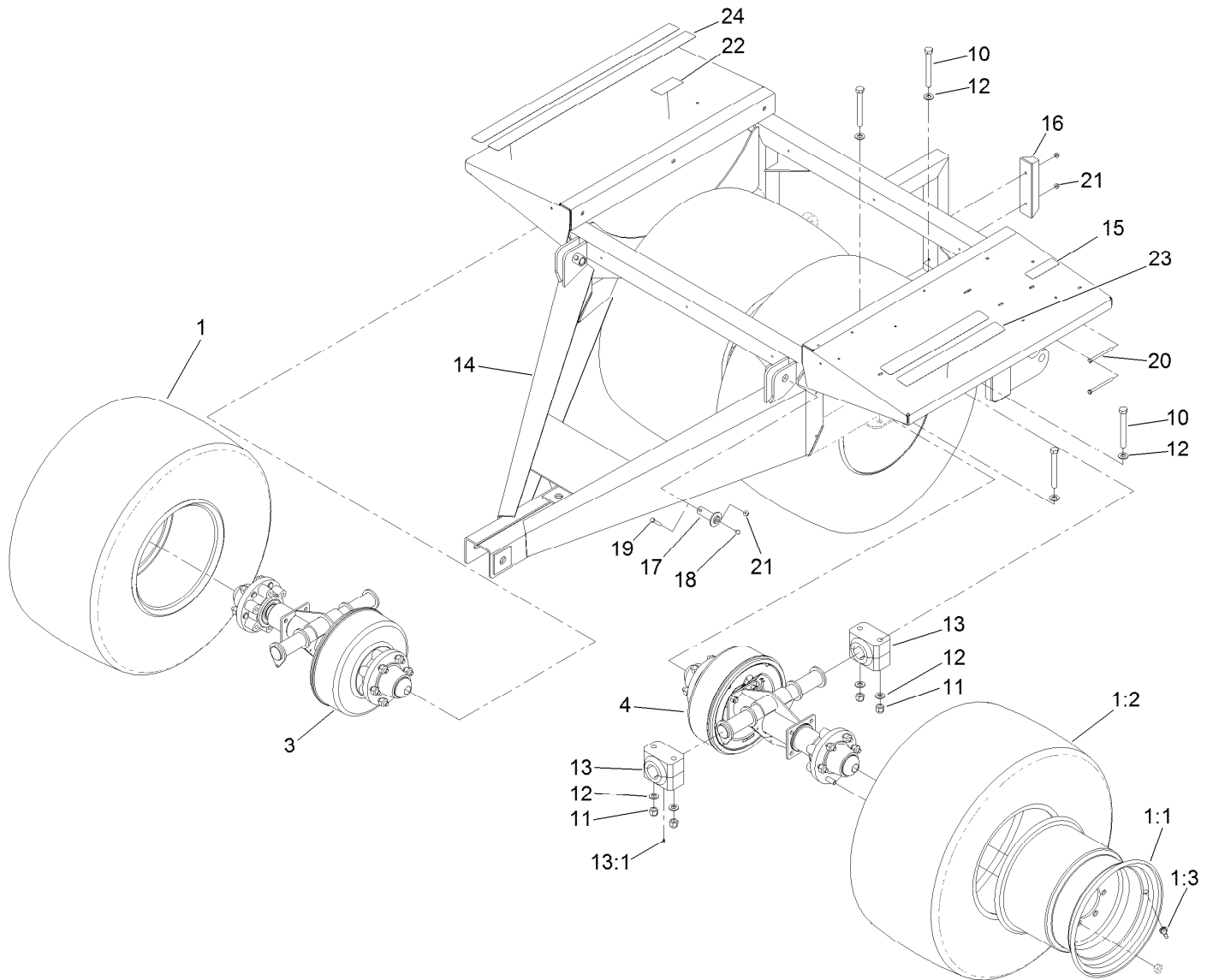
Ref.	Part Number	Qty.	Description	Ref.	Part Number	Qty.	Description
1	T36011600-01	1	Frame-Roller	7	3234-27	24	Screw-HHF
2	T36011680	9	Belt Roller ASM	8	99-5107	24	Nut-Lock
2:2	T36011685	2	Insert-Roller	9	SG330081	7	Nut-Hex
2:4	T60111000	2	Bearing-Ball	10	T36011670	2	Rod-Tensioner
3	T36011620-03	1	Idler Roller ASM	11	T36011690-01	1	Plate-Mounting
4	119-6892-03	1	Roller-Drive	12	327-6	8	Screw-HH
5	T60114305	2	Take-Up Bearing ASM	14	3296-53	12	Nut-Lock, NI
5:1	120-0817	1	Bearing-Collar, Lock	15	120-0904	4	Screw-HSH
5:3	3246-17	1	Setscrew-HSH	16	T36011675	1	Rod-Lock
6	T60116355	2	4-Bolt Bearing ASM	17	3256-27	4	Washer-Flat
6:1	120-0817	1	Bearing-Collar, Lock	18	302-10	4	Fitting-Grease
6:3	3246-17	1	Setscrew-HSH				



## Chain Drive Assembly

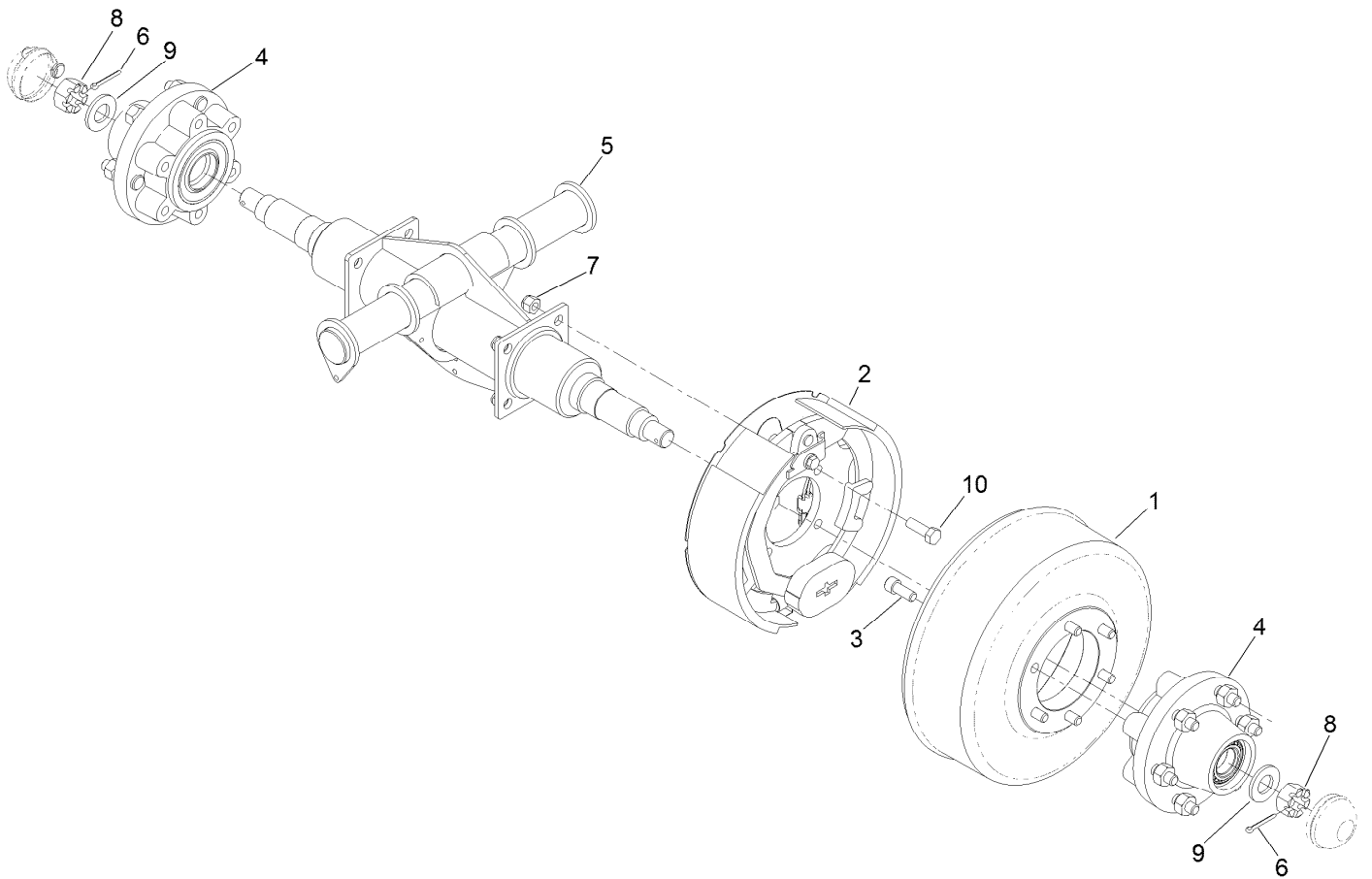
<i>Ref.</i>	<i>Part Number</i>	<i>Qty.</i>	<i>Description</i>
1	T60135010	1	Sprocket
1:1	3246-2	2	Screw-Set, HSH
2	T60134090	1	Sprocket
3	T60135750	1	Sprocket
3:1	3247-2	2	Screw-Set, HSH
4	T36011810	1	Key
5	120-0909	1	Screw-HSH
6	120-0898	2	Screw-Fhhs
7	97-1206	2	Locknut

<i>Ref.</i>	<i>Part Number</i>	<i>Qty.</i>	<i>Description</i>
8	103995	1	Washer
9	321-4	1	Screw-HH
10	3296-53	1	Nut-Lock, NI
11	327-8	1	Screw-HH
12	99-7667	3	Washer-Flat
13	T36011800	1	Chain-Drive, 39 Inch
13:1	T60151016	1	Link-Connecting, #60
14	3256-27	1	Washer-Flat



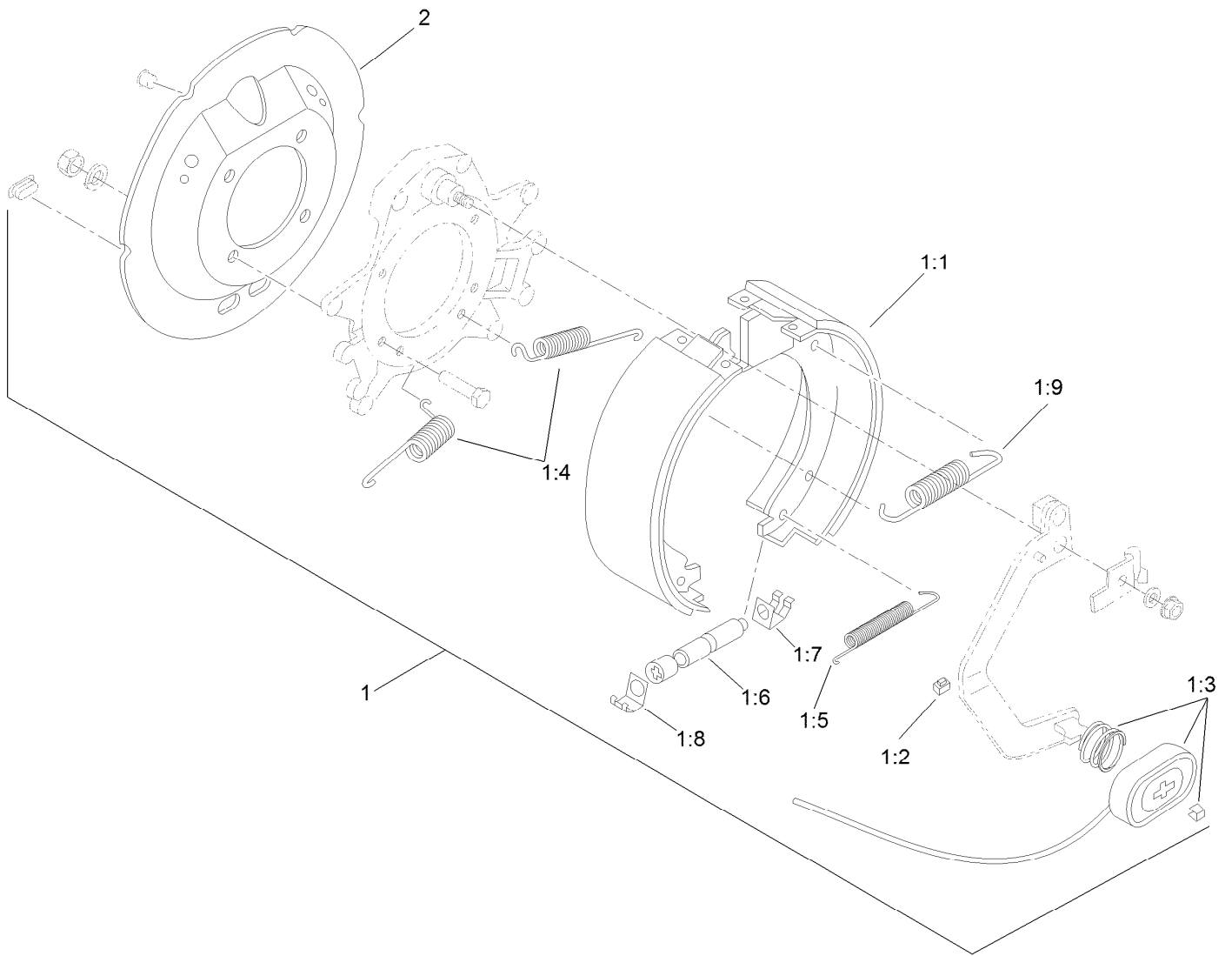
## Wheel Assembly

Ref.	Part Number	Qty.	Description	Ref.	Part Number	Qty.	Description
1	120-9410	4	Wheel And Tire ASM	14	125-0166-01	1	Frame
1:1	120-9411	1	Wheel-Turf	15	119-6823	1	Decal-Hydraulic Control
1:2	120-9412	1	Tire-Turf	16	T62011021	1	Bumper-Rubber
1:3	232-24	1	Stem-Valve	17	T36012070-01	2	Pin-Hinge
3	120-9401	1	RH Shaft ASM	18	302-2	2	Fitting-Grease
4	120-9402	1	LH Shaft ASM	19	322-10	2	Screw-HH
10	120-0923	8	Screw-HH	20	322-19	2	Screw-HH
11	120-0924	8	Nut-Hex	21	104-8300	4	Nut-HF, NI
12	119-1868	16	Washer	22	119-6835	1	Decal-Jack
13	T60111196	4	Bearing-Polyurethane	23	T36013050	2	Thread-Walk, Safety
13:1	302-19	1	Fitting-Grease	24	T36013052	2	Thread-Walk, Safety



## RH Shaft Assembly No. 120-9401

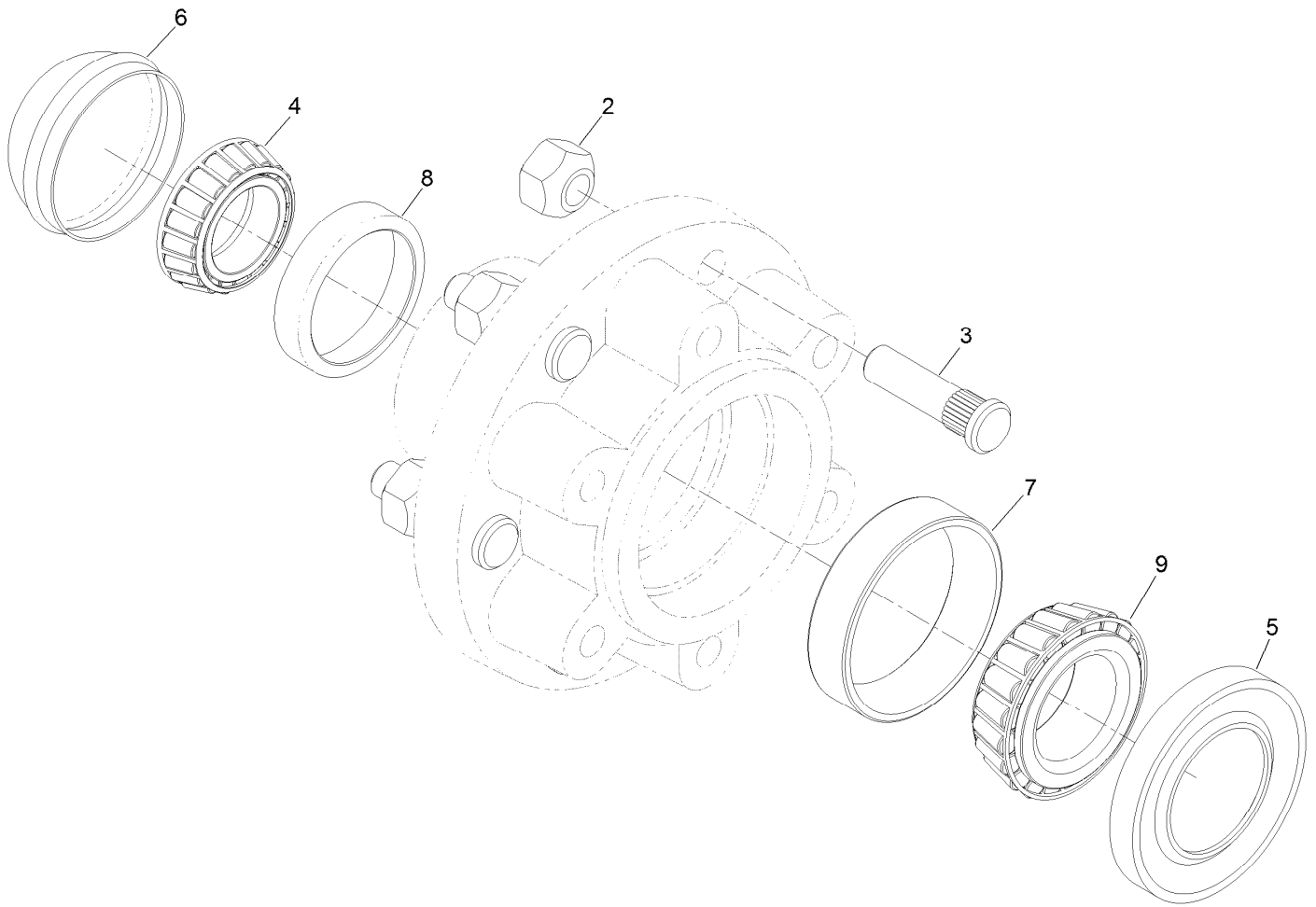
Ref.	Part Number	Qty.	Description
1	119-6871	1	Drum-Brake
2	120-9437	1	LH Brake ASM
3	120-0940	6	Screw-HSH
4	120-9404	2	Hub ASM
5	120-9405-03	1	Beam-Walking
6	3272-23	2	Pin-Cotter
7	3296-19	4	Nut-Hex
8	32136-11	2	Nut-Hex, Slot
9	T54051068	2	Washer-Spindle
10	325-6	4	Screw-HH



## LH Brake Assembly No. 120-9437

Ref.	Part Number	Qty.	Description
1		1	Brake-LH ●
1:1	120-9441	1	LH Shoe And Lining Kit
1:2	120-9443	1	Clip-Wire
1:3	120-9444	1	Magnet Kit
1:4	120-9445	2	Spring-Centering
1:5	120-9446	1	Spring-Adjuster
1:6	120-9447	1	Adjuster Assembly
1:7	120-9448	1	Clip-Adjuster
1:8	120-9449	1	Clip-Adjuster
1:9	120-9396	1	Spring-Return
2	120-9433	1	Cover-Dust, Brake

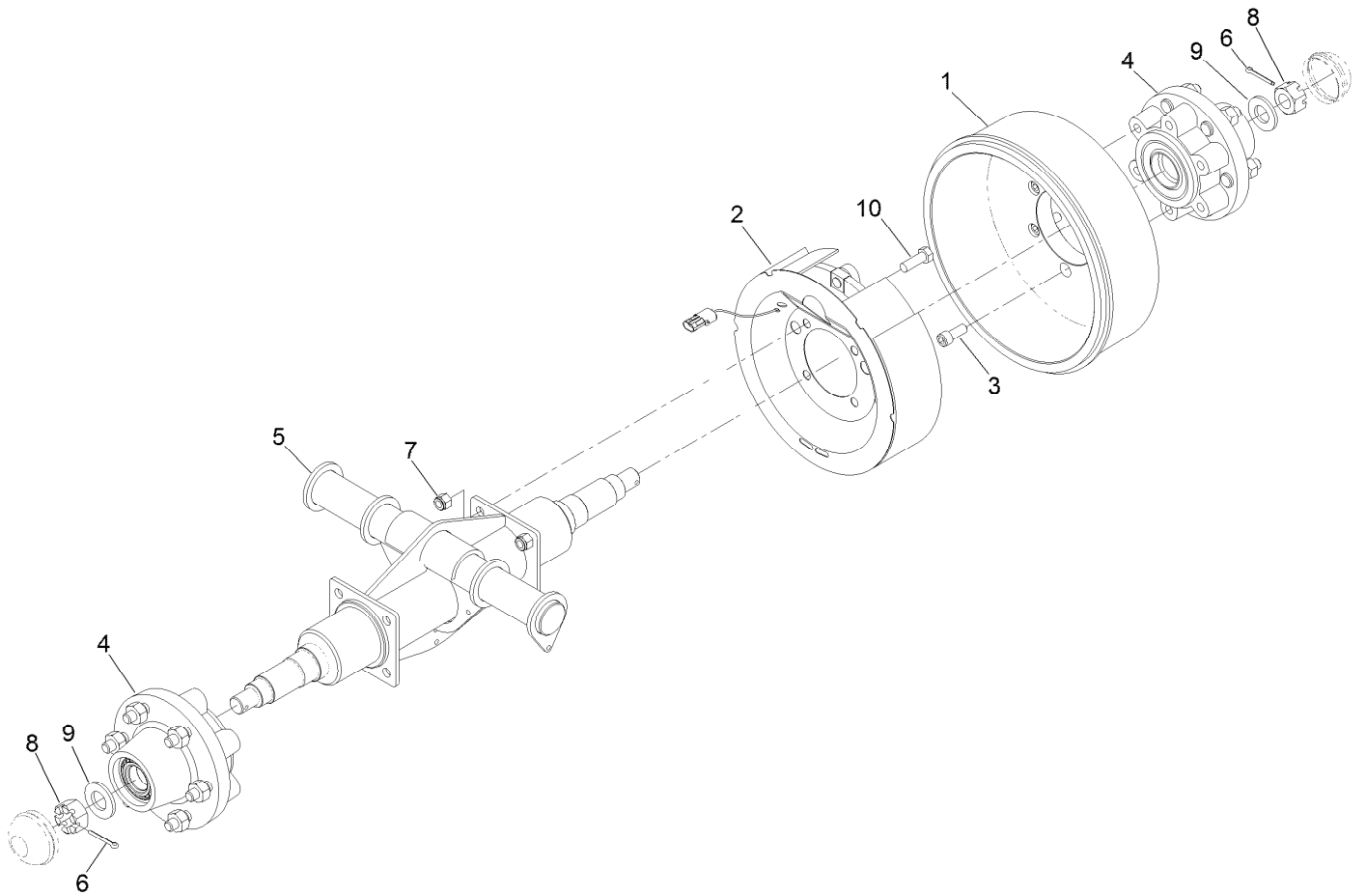
● Not serviced separately



## Hub Assembly No. 120-9404

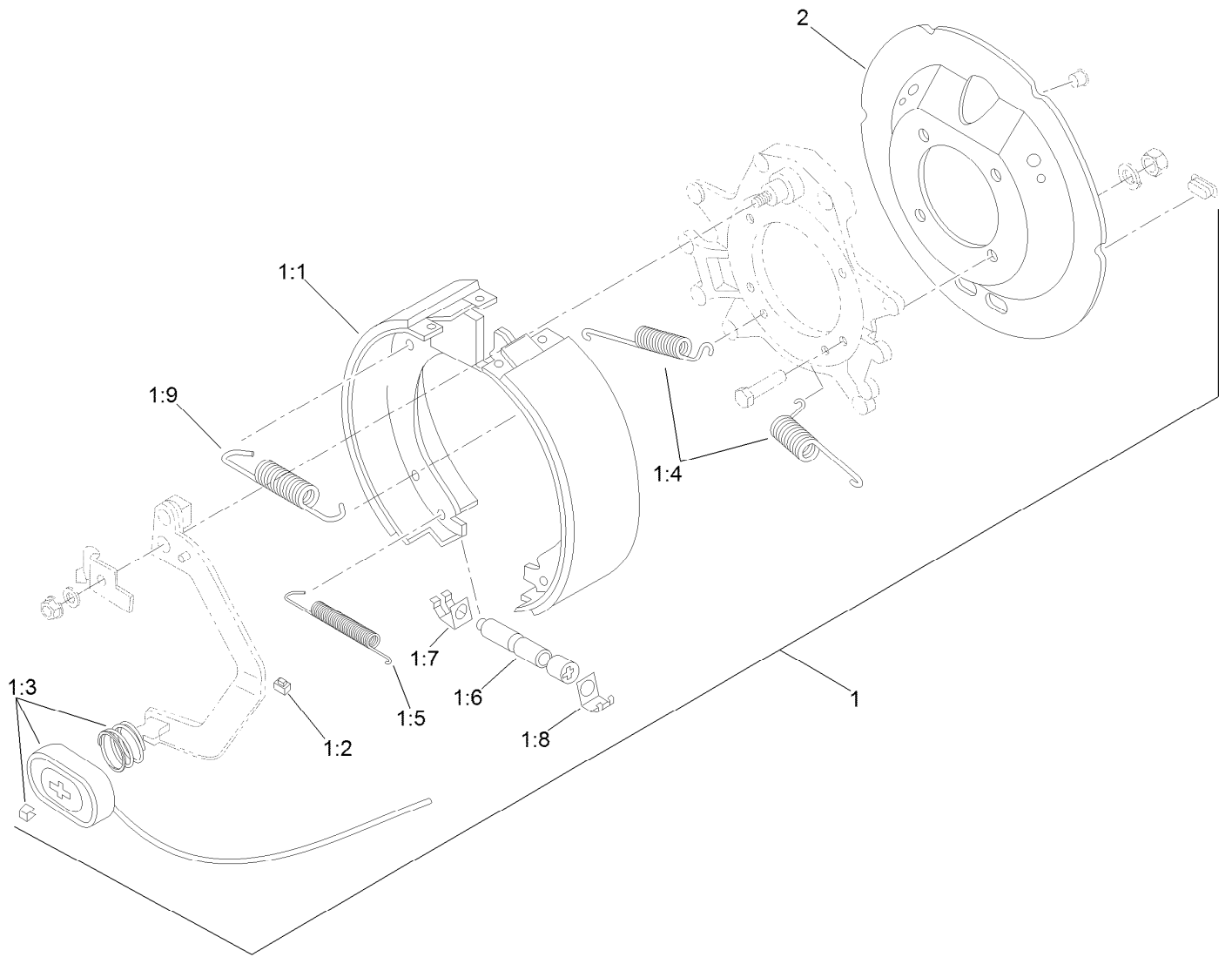
<i>Ref.</i>	<i>Part Number</i>	<i>Qty.</i>	<i>Description</i>
2	T54031040	6	Nut-Wheel
3	T54031042	6	Stud-Wheel
4	T54051010	1	Bearing-Hub, Outer
5	T54051019	1	Seal-Bearing
6	T54051026	1	Cap-Hub (5000/6000 Lb.)
7	T54051037	1	Race-Bearing, Inner
8	T54051042	1	Races-Bearing, Outer
9	T54051100	1	Bearing-Hub, Inner





## LH Shaft Assembly No. 120-9402

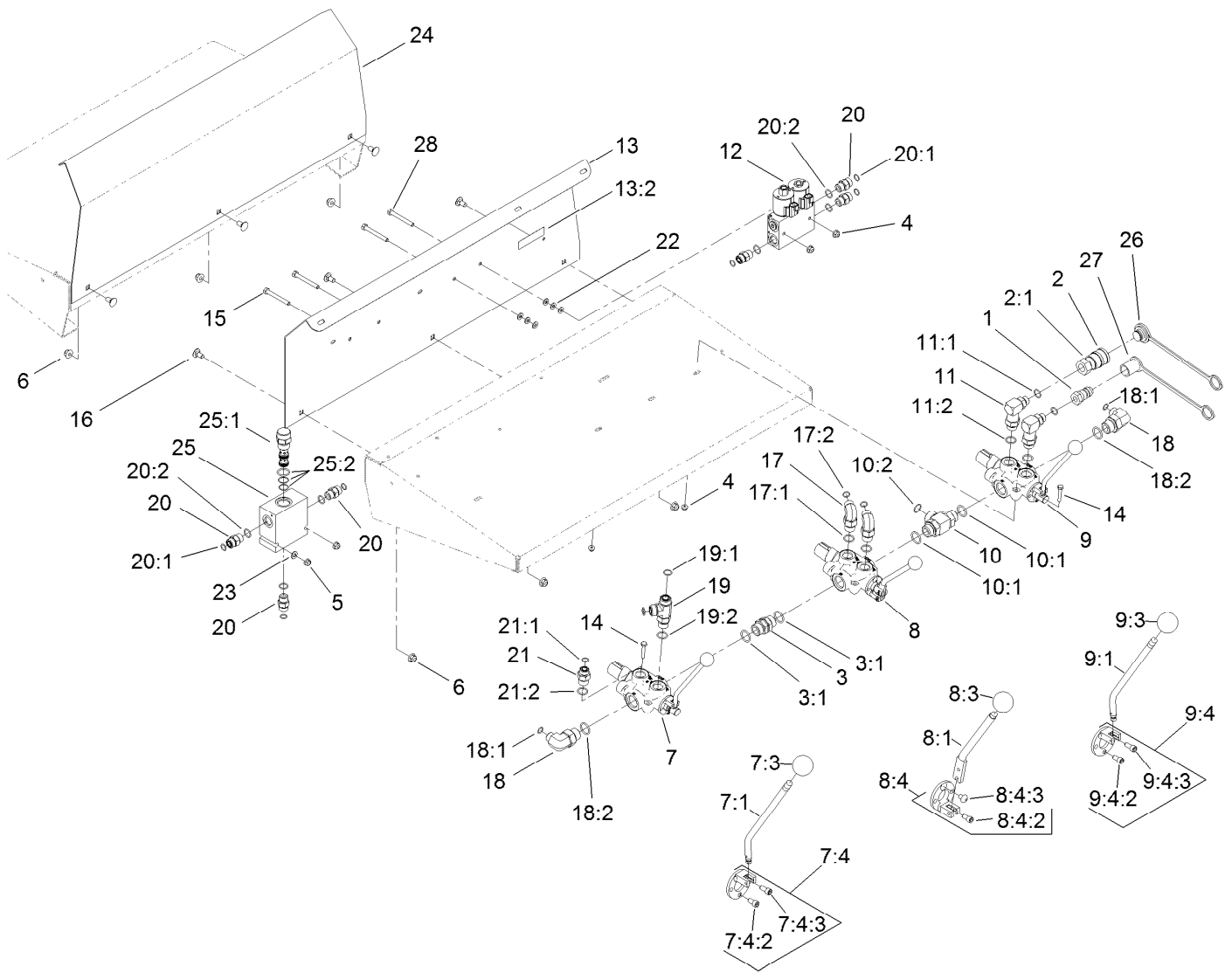
<b>Ref.</b>	<b>Part Number</b>	<b>Qty.</b>	<b>Description</b>
1	119-6871	1	Drum-Brake
2	120-9436	1	RH Brake ASM
3	120-0940	6	Screw-HSH
4	120-9404	2	Hub ASM
5	120-9405-03	1	Beam-Walking
6	3272-23	2	Pin-Cotter
7	3296-19	4	Nut-Hex
8	32136-11	2	Nut-Hex, Slot
9	T54051068	2	Washer-Spindle
10	325-6	4	Screw-HH



## RH Brake Assembly No. 120-9436

Ref.	Part Number	Qty.	Description
1		1	Brake-RH ●
1:1	120-9442	1	RH Shoe And Lining Kit
1:2	120-9443	1	Clip-Wire
1:3	120-9444	1	Magnet Kit
1:4	120-9445	2	Spring-Centering
1:5	120-9446	1	Spring-Adjuster
1:6	120-9447	1	Adjuster Assembly
1:7	120-9448	1	Clip-Adjuster
1:8	120-9449	1	Clip-Adjuster
1:9	120-9396	1	Spring-Return
2	120-9433	1	Cover-Dust, Brake

● Not serviced separately

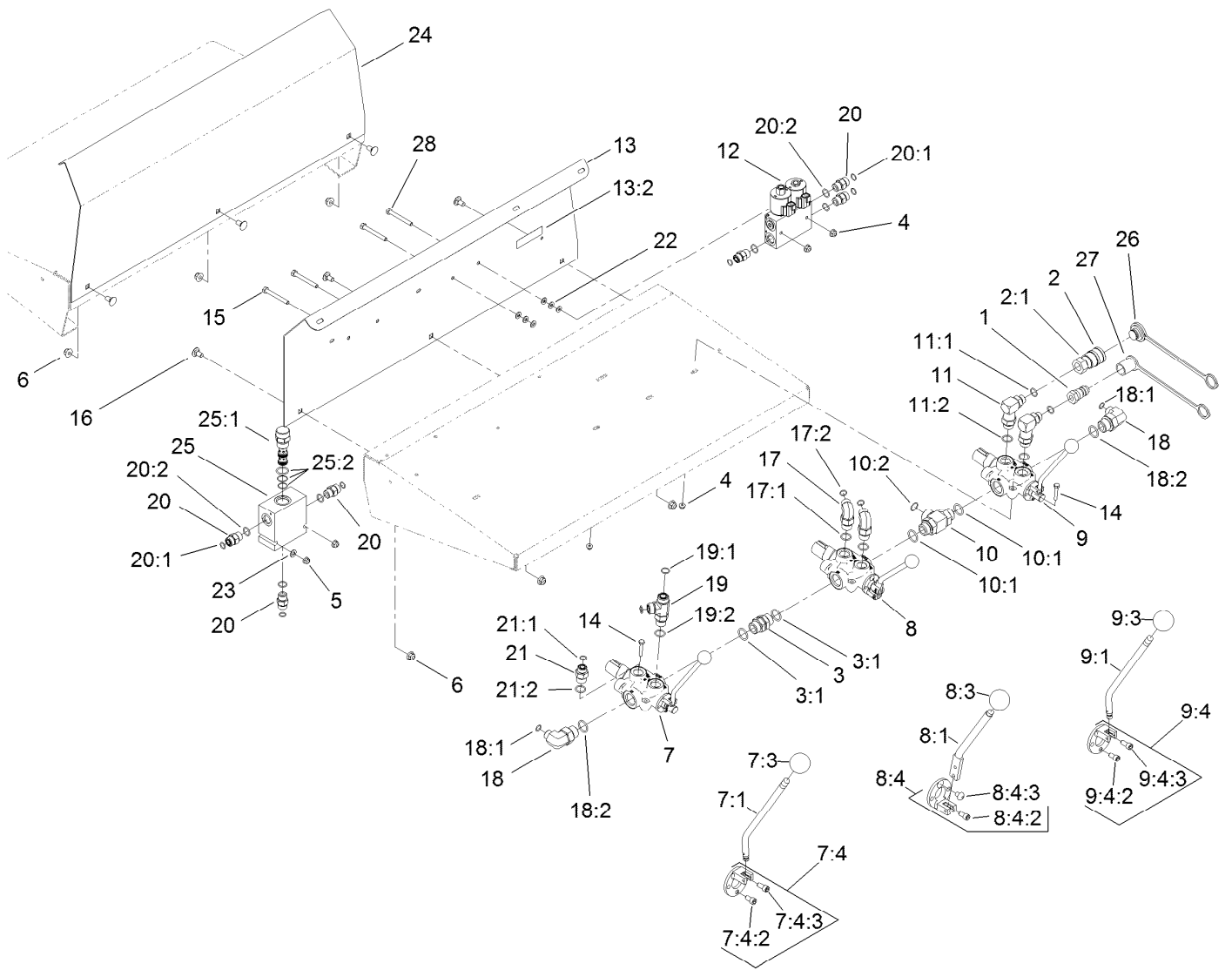


## Hydraulic Valve and Manifold Assembly

Ref.	Part Number	Qty.	Description
1	98-4698	1	Male-Disconnect, Quick
2	98-4699	1	Female-Disconnect, Quick
2:1	100-4165	1	Seal Kit
3	98-9906	1	Fitting-Thread, Straight
3:1	237-81	2	O-Ring
4	104-7201	4	Nut-HF
5	104-8300	4	Nut-HF, NI
6	104-8301	6	Nut-HF, NI
7	120-0835	1	Hydraulic Valve ASM
7:1	T36013200	1	Lever (Belt Or Option)
7:2	T56051070	1	Wiper-Seal ●
7:3	T56051500	1	Knob
7:4	T56051610	1	Hydraulic Valve Clevis Kit
7:4:2	3274-42	1	Screw-HSH
7:4:3	3274-52	1	Screw-HSH
8	120-0836	1	Hydraulic Valve ASM
8:1	T56053070	1	Lever
8:2	T56051070	1	Wiper-Seal ●

Ref.	Part Number	Qty.	Description
8:3	T56051500	1	Knob
8:4	T56051066	1	Hydraulic Valve Clevis Kit
8:4:2	3274-42	1	Screw-HSH
8:4:3	3274-31	1	Screw-HSBH
9	120-0837	1	Hydraulic Valve ASM
9:1	T36013200	1	Lever (Belt Or Option)
9:2	T56051070	1	Wiper-Seal ●
9:3	T56051500	1	Knob
9:4	T56051610	1	Hydraulic Valve Clevis Kit
9:4:2	3274-42	1	Screw-HSH
9:4:3	3274-52	1	Screw-HSH
10	120-0844	1	Fitting-Tee
10:1	237-81	2	O-Ring
10:2	237-58	1	O-Ring
11	120-0847	2	Fitting-Elbow-90
11:1	237-79	1	O-Ring
11:2	237-80	1	O-Ring

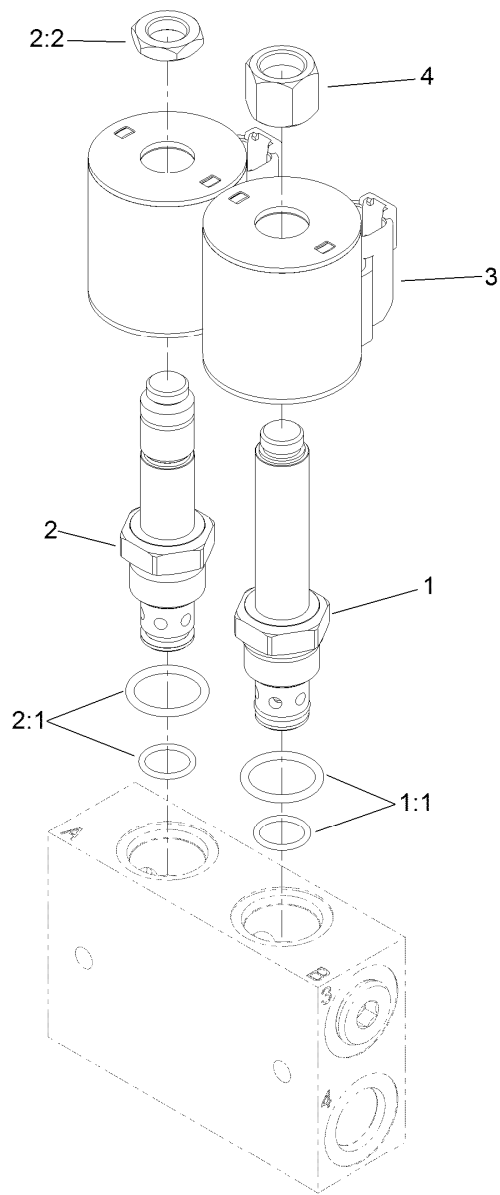
● Not illustrated



## Hydraulic Valve and Manifold Assembly (continued)

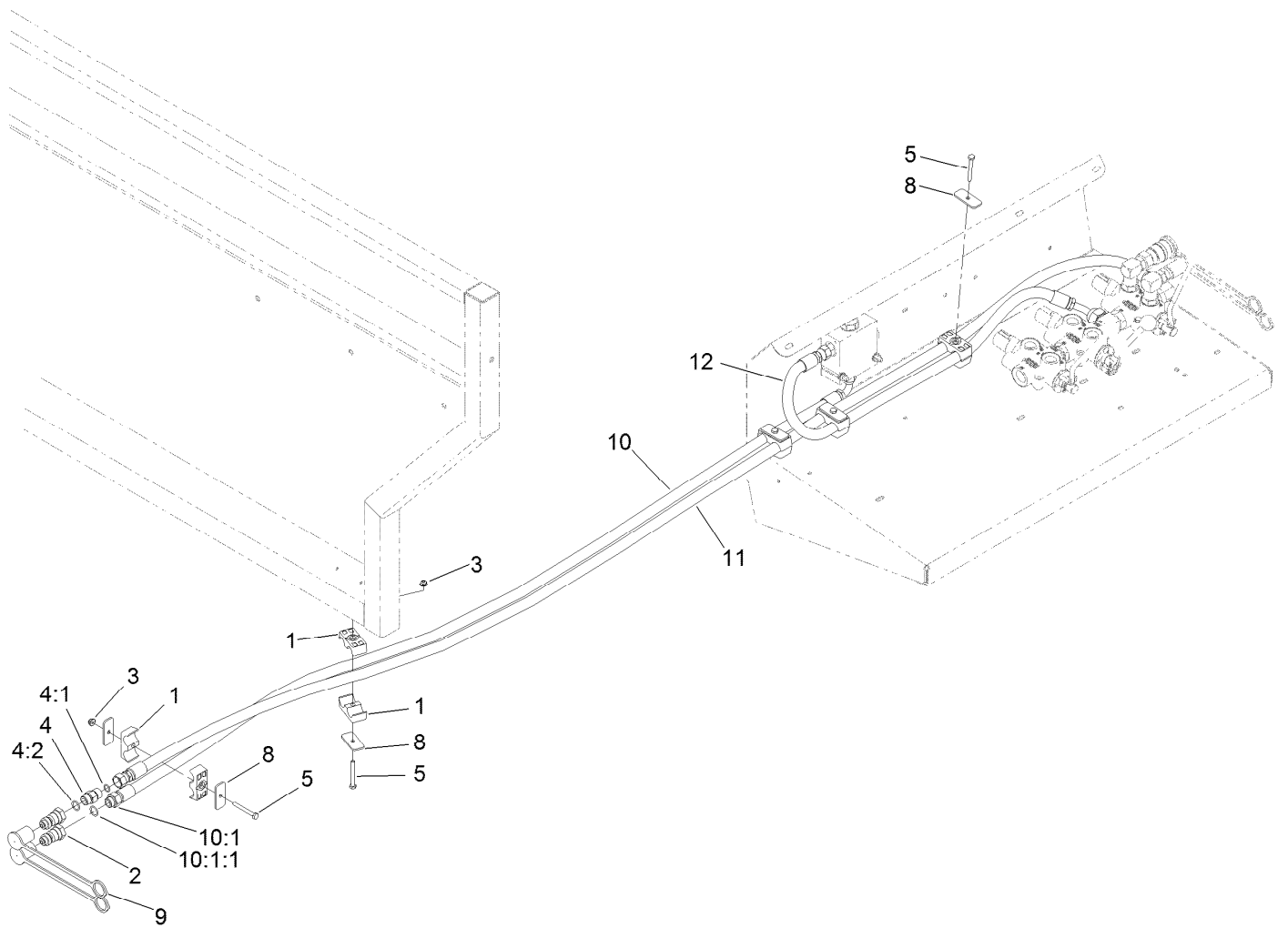
Ref.	Part Number	Qty.	Description	Ref.	Part Number	Qty.	Description
12	125-0149	1	Conveyor Belt Manifold ASM	20	340-4	6	Fitting-Straight
13	120-0921	1	LH Fender Guard ASM	20:1	237-30	1	O-Ring
13:2	119-0217	1	Decal-Danger	20:2	237-79	1	O-Ring
14	321-43	2	Capscrew	21	340-6	1	Fitting-Straight
15	322-13	2	Screw-HH	21:1	237-30	1	O-Ring
16	3231-1	6	Screw-CARR	21:2	237-80	1	O-Ring
17	340-105	2	Fitting-Elbow, 90 DEG	22	3256-22	6	Washer-Flat
17:1	237-80	1	O-Ring	23	3256-23	2	Washer-Plain
17:2	237-30	1	O-Ring	24	T36011720-01	1	Guard-Fender, RH
18	340-131	2	Fitting-HYD, 90 DEG	25	T56051020	1	Valve-HYD
18:1	237-30	1	O-Ring	25:1	120-0851	1	Valve-Cartridge, Pressure Comp
18:2	237-81	1	O-Ring	25:2	114-5515	1	Seal Kit
19	340-22	1	Fitting-Tee	26	T56152150	1	Plug-Quick Connect
19:1	237-65	2	O-Ring	27	T56152152	1	Cap-Connect, Quick
19:2	237-80	1	O-Ring	28	321-18	2	Screw-HH

● Not illustrated



## Conveyor Belt Manifold Assembly No. 125-0149

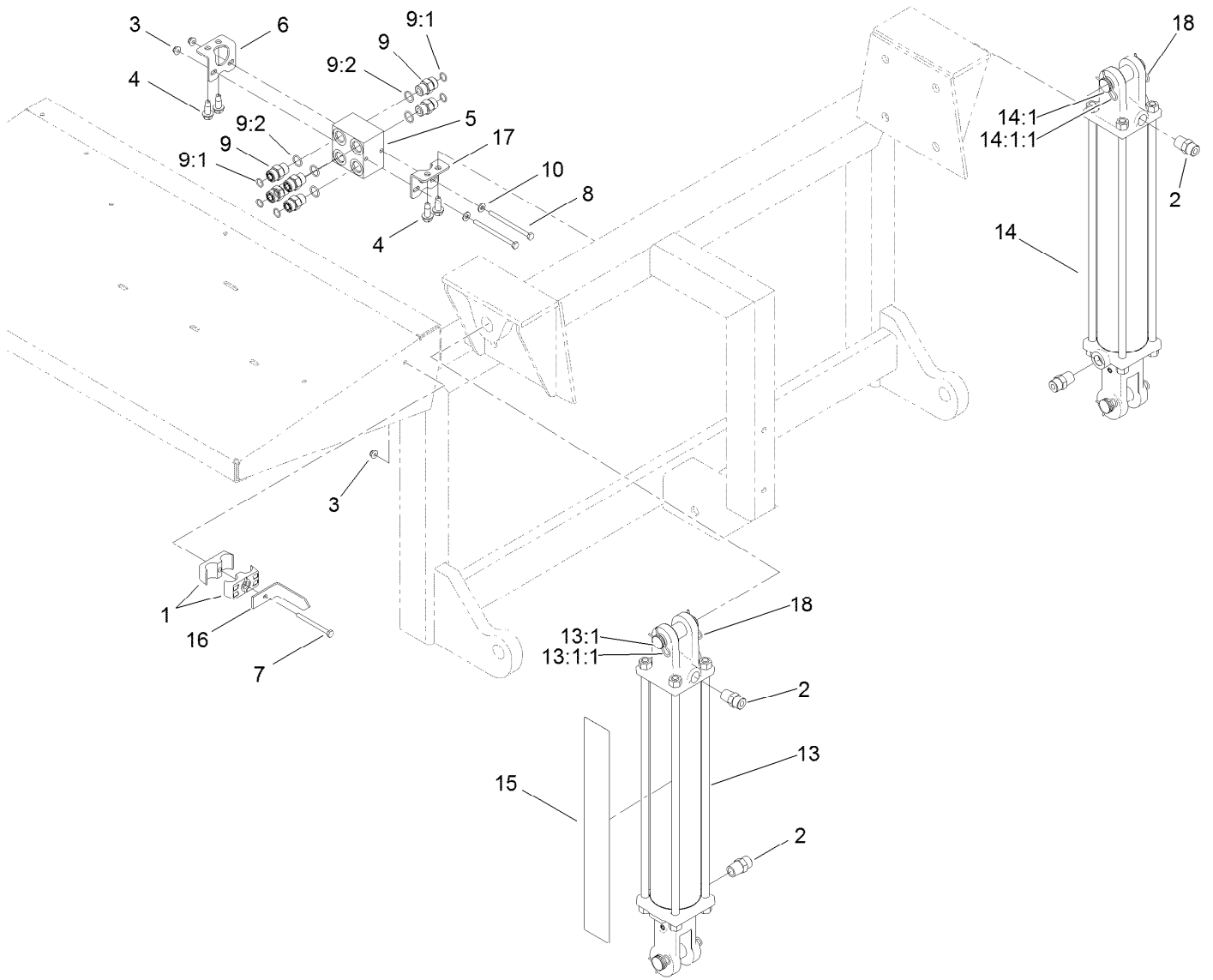
<i>Ref.</i>	<i>Part Number</i>	<i>Qty.</i>	<i>Description</i>
1	120-0945	1	Valve-Solenoid
1:1	105-9159	1	Seal Kit
2	T56054036	1	Valve-HYD, Solenoid (W/O Coil)
2:1	110-2633	1	Seal Kit
2:2	110-2634	1	Nut-Coil
3	115-3021	2	Coil-12V
4	130-8181	1	Nut-Coil (1/2-20 Unf-2B)



## Hydraulic Hose and Clamp Assembly

Ref.	Part Number	Qty.	Description
1	56-7974	10	Clamp-Tube
2	98-4698	2	Male-Disconnect, Quick
3	104-7201	5	Nut-HF
4	119-6898	1	Valve-Check, HYD
4:1	237-30	1	O-Ring
4:2	237-79	1	O-Ring
5	321-18	5	Screw-HH
8	T36033040	6	Plate-Clamp
9	T56152152	2	Cap-Connect, Quick
10	120-0862	1	Hose-HYD
10:1		1	Fitting-Straight ●
10:1:1	237-79	1	O-Ring
11	120-0863	1	Hose-HYD
12	120-0874	1	Hose-HYD

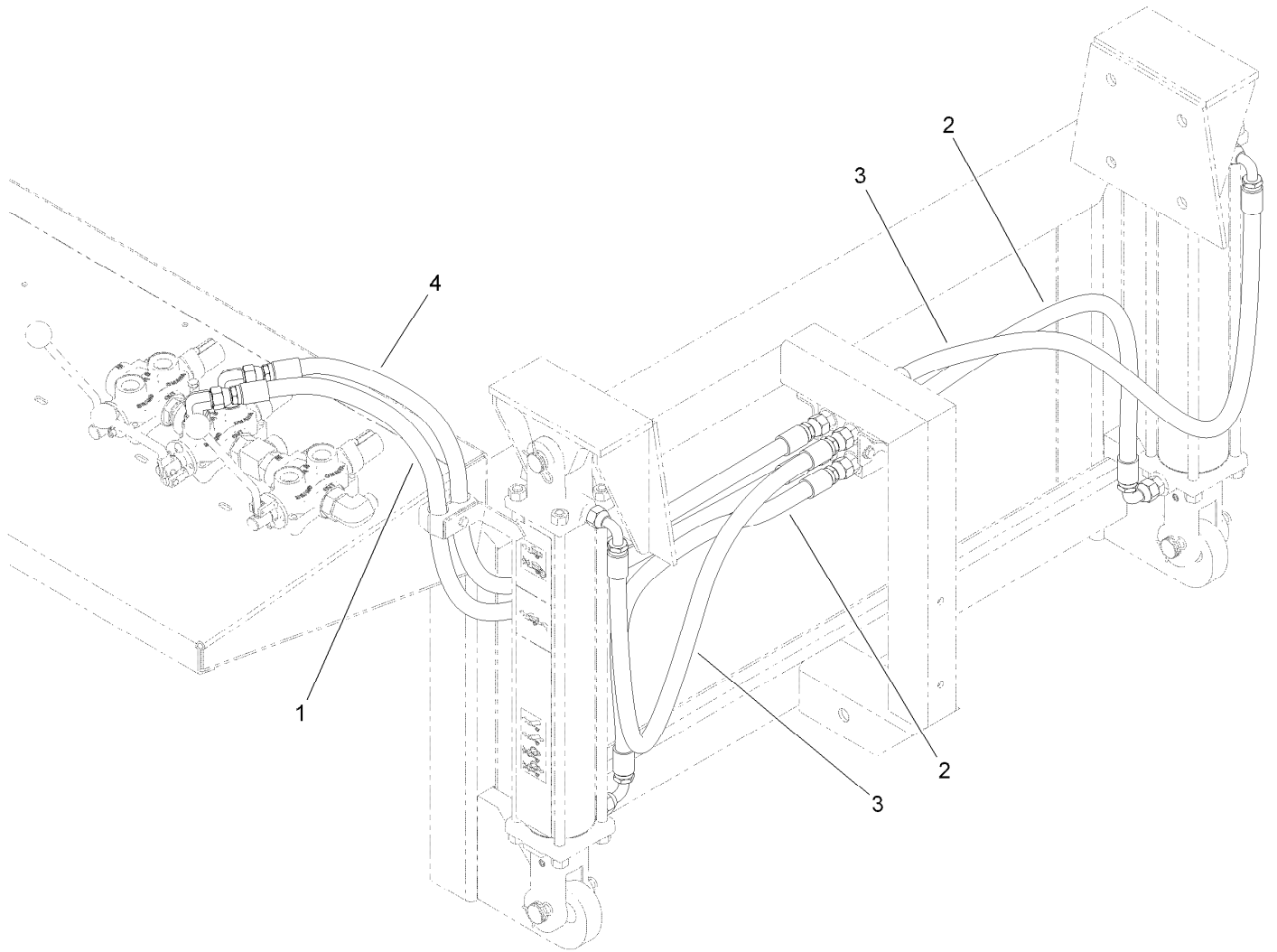
● Not serviced separately



## Hydraulic Cylinder and Junction Box Manifold Assembly

Ref.	Part Number	Qty.	Description
1	56-7974	2	Clamp-Tube
2	93-5107	4	Fitting-Adapter
3	104-7201	3	Nut-HF
4	105-6245	4	Screw-Tapping
5	120-0848	1	Manifold-Junction Block
6	120-0875-03	1	Bracket-Mounting, Manifold
7	321-18	1	Screw-HH
8	321-28	2	Screw-HH
9	340-4	6	Fitting-Straight
9:1	237-30	1	O-Ring
9:2	237-79	1	O-Ring

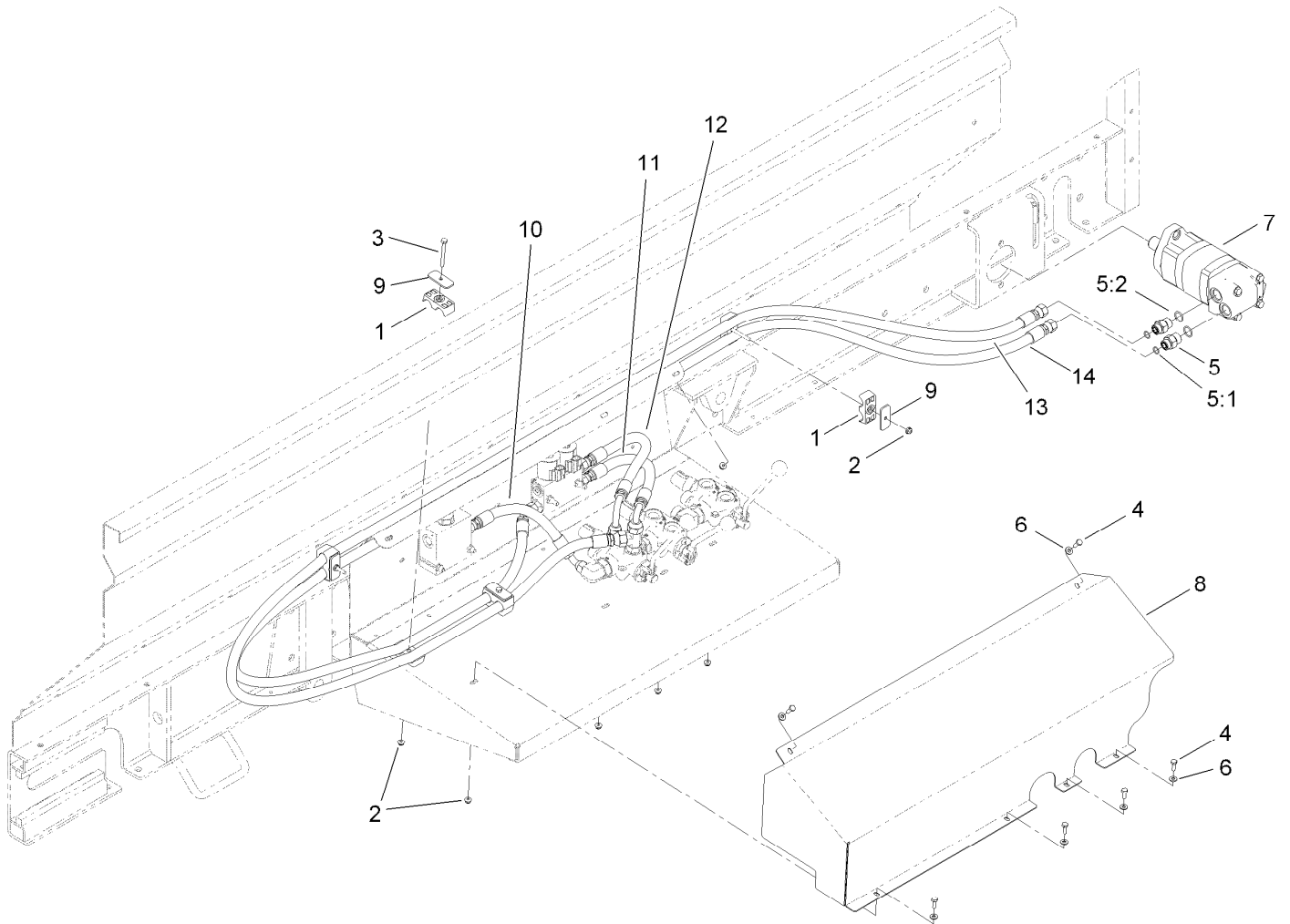
Ref.	Part Number	Qty.	Description
10	3256-22	2	Washer-Flat
13	T56071160	1	HYD Cylinder ASM
13:1	125-0153	1	Pin Kit (Set Of Two)
13:1:1	3272-23	4	Pin-Cotter
14	T56071170	1	HYD Cylinder ASM
14:1	125-0153	1	Pin Kit (Set Of Two)
14:1:1	3272-23	4	Pin-Cotter
15	119-6863	1	Decal-Load Range
16	T36011570	1	Bar-Indicator, Lift
17	120-0983-03	1	Bracket-Manifold
18	110-4439	2	Clip-Hairpin



## Hydraulic Hose Assembly

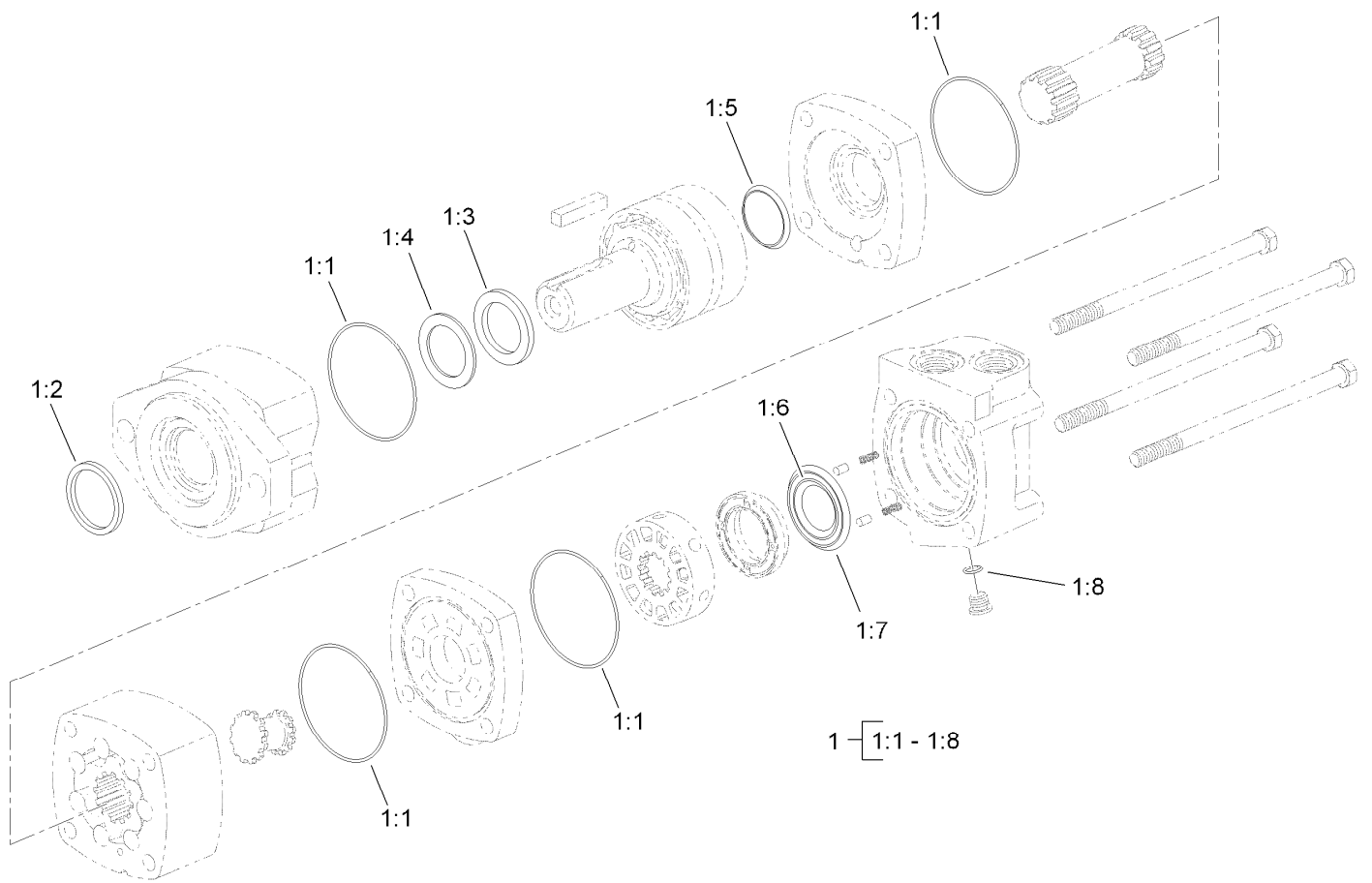
<i>Ref.</i>	<i>Part Number</i>	<i>Qty.</i>	<i>Description</i>
1	120-0980	1	Hose-HYD
2	120-0869	2	Hose-HYD
3	120-0870	2	Hose-HYD
4	120-0981	1	Hose-HYD





## Hydraulic Guard Box Assembly

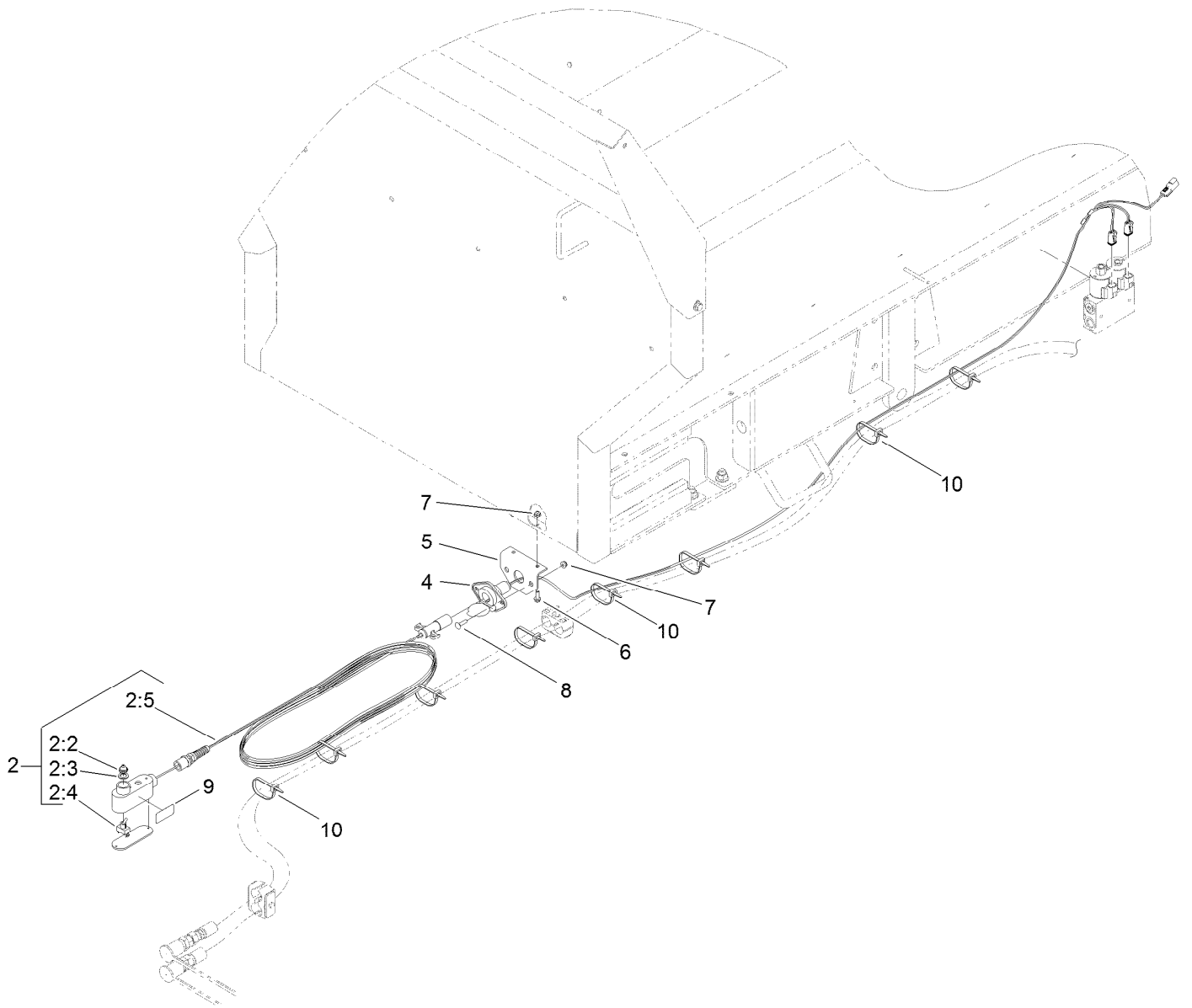
<i>Ref.</i>	<i>Part Number</i>	<i>Qty.</i>	<i>Description</i>	<i>Ref.</i>	<i>Part Number</i>	<i>Qty.</i>	<i>Description</i>
1	56-7974	8	Clamp-Tube	7	T0000-5303	1	HYD Motor ASM
2	104-7201	10	Nut-HF	8	T36011770-01	1	Guard-Hydraulic
3	321-18	2	Screw-HH	9	T36033040	4	Plate-Clamp
4	321-4	6	Screw-HH	10	120-0858	1	Hose-HYD
5	340-6	2	Fitting-Straight	11	120-0860	1	Hose-HYD
5:1	237-30	1	O-Ring	12	120-0861	1	Hose-HYD
5:2	237-80	1	O-Ring	13	120-0864	1	Hose-HYD
6	3256-22	6	Washer-Flat	14	119-4591	1	Hose-HYD



## Hydraulic Motor Assembly No. T0000-5303

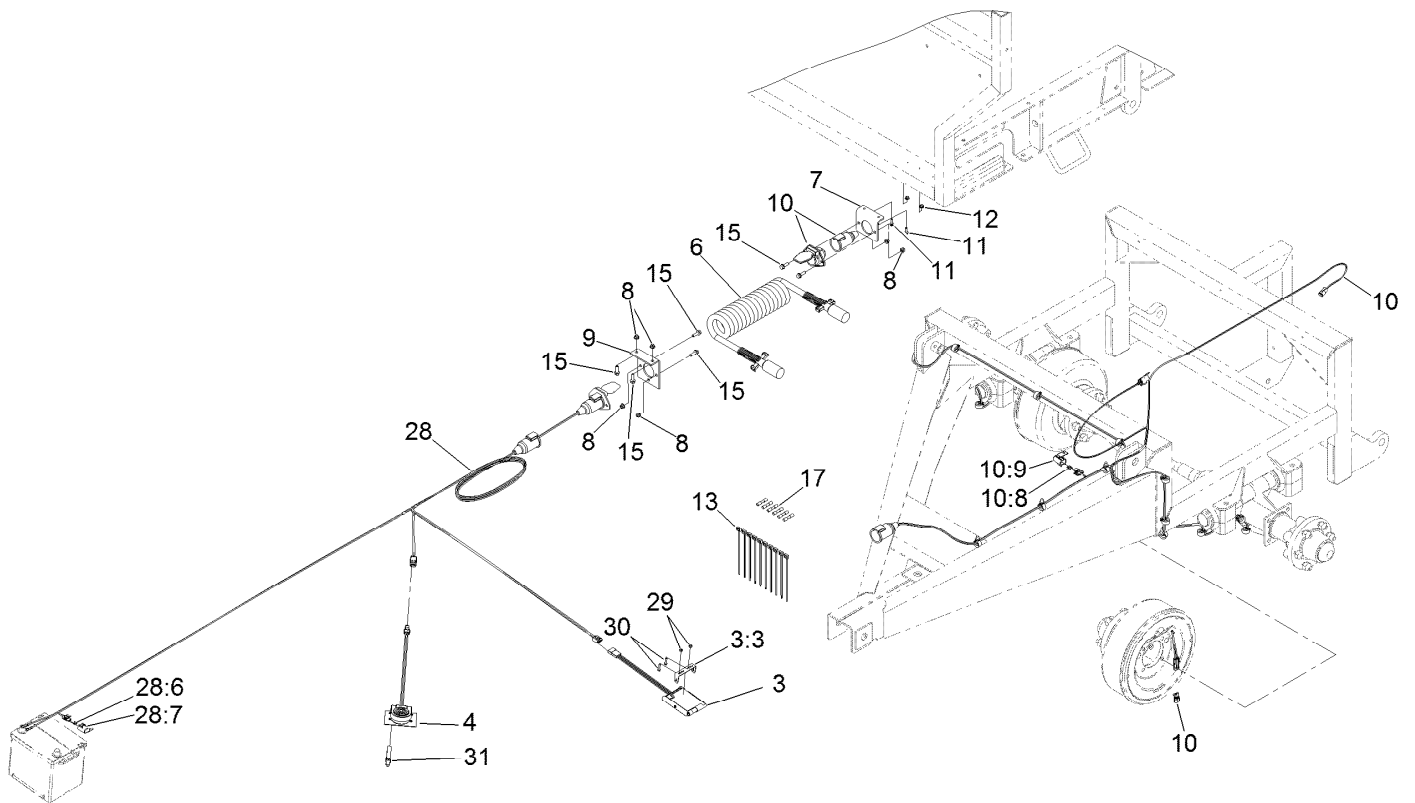
<i>Ref.</i>	<i>Part Number</i>	<i>Qty.</i>	<i>Description</i>
1	56-6890	1	Seal Kit
1:1		4	Seal ●
1:2		1	Exclusion Seal ●
1:3		1	Outer Face Seal ●
1:4		1	Inner Face Seal ●
1:5		1	Shaft Face Seal ●
1:6		1	Shaft Seal ●
1:7		1	Back-Up Washer ●
1:8		1	O-Ring ●

● Not serviced separately



## Electrical Assembly

<b>Ref.</b>	<b>Part Number</b>	<b>Qty.</b>	<b>Description</b>
2	120-0801	1	Pendant ASM
2:2	119-7554	1	Boot-Toggle Switch, Weatherproof
2:3	41-8440	1	Washer
2:4	119-7551	1	Switch-Toggle, 2-Way
2:5	120-0988	1	Harness-Wire
4	122-1147	1	Harness-Wire, Rear Pendant
5	T36016086-01	1	Bracket-Socket
6	115-5103	2	Screw-HHF
7	104-7201	4	Nut-HF
8	3229-2	2	Screw-CARR
9	119-6822	1	Decal-Floor Conveyor
10	3290-378	10	Tie-Cable



## Brake Electrical Assembly

Ref.	Part Number	Qty.	Description	Ref.	Part Number	Qty.	Description
3	130-4230	1	Controller-Brake	12	104-7201	2	Nut-HF
3:3	125-0114	1	Bracket-Controller, Brake	13	3290-378	10	Tie-Cable
4	125-0108	1	Control-Foot,	15	3234-29	6	Screw-HHF
6	T58071132	1	Cable-Coil, 12 Ft.	17	32180-046	6	Splice-Heatshrink Covered
7	120-0892	1	Bracket-Connector	28	122-0866	1	Harness-Wire, Brake, Trailer-Battery
8	104-8300	6	Nut-HF, NI	28:6	121-8866	1	Fuse-Mini Blade, 10 Amp
9	T36016080	1	Bracket-Tractor	28:7	32180-101	1	Cover-Fuse, Single
10	122-0877	1	Harness-Wire, Trailer Brakes	29	3296-2	2	Nut-Lock, NI
10:8	121-8866	1	Fuse-Mini Blade, 10 Amp	30	106-9169	2	Screw-HWH
10:9	32180-101	2	Cover-Fuse, Single	31	2412-42	1	Clamp-Hose
11	115-5103	2	Screw-HHF				

# Attachments and Accessories

## For 44931 MH-400SH2 Material Handler

<b>Product Name</b>	<b>Model/Part</b>
Hopper Vibrator Kit, ProPass Top Dresser and MH-400 Material Delivery Unit.....	44723
MH-400 Conveyor/Swivel/Caddy.....	44938
Light Kit.....	44940
SH/EH Twin Spinner .....	44944
2-Wheel to 4-Wheel Brake Conversion Kit.....	44945

**Notes:**

**Notes:**



**Count on it.**