



# **Proline 21''**

**Recycler<sup>®</sup> /Rear Bagging Mower**

**Model No. 22172 – 9900001 & Up**

---

# **Parts Catalog**

## ORDERING REPLACEMENT PARTS

To order replacement parts, please supply: the part number, the quantity, and the description of each part desired.

## Contents

Description	Page	Description	Page
Housing Assembly .....	1	Piston/Crankshaft .....	12
Housing Assembly (cont.) .....	2	Air Filter/Muffler .....	13
Front Tire & Wheel Assembly .....	3	Cooling Equipment .....	14
Gear Case Assembly .....	4	Lubrication Equipment .....	15
Engine & BBC Assembly .....	5	Starter .....	16
Cylinder/Crankcase .....	6	Handle Assembly .....	17
Valve/Camshaft .....	7	Panel & Controls Assembly .....	18
Control Equipment .....	8	Rear Axle Assembly .....	19
Fuel Tank/Fuel Valve .....	9	Rear Wheel & Tire Assembly .....	20
Electric Equipment .....	10	Bagging Assembly .....	21
Carburetor .....	11		

**Note:**

## Accessories

Description	Model / Parts No.	Description	Model / Parts No.
Side Discharge Kit .....	Model No. 59199		

## Part Description Abbreviations

Part descriptions in this catalog may include the following abbreviations.

Abbreviation	Meaning	Abbreviation	Meaning
AR .....	as required	HWHTF .....	hex washer head thread forming
ASM .....	assembly	INC .....	incorporated
CARR .....	carriage	LH .....	left hand
DEG .....	degrees	PH .....	pan head
FH .....	flat head	PPH .....	Phillips pan head
GA .....	gauge	PTO .....	power take off
HF .....	hex flange	RH .....	right hand
HFW .....	hex flange washer	SFH .....	slotted fillister head
HH .....	hex head	SH .....	square head
HHF .....	hex head flange	SHWH .....	slotted hex washer head
HHST .....	hex head self tapping	SPH .....	slotted pan head
HJ .....	hex jam	STD .....	standard
HOC .....	height-of-cut	TAP .....	self tapping
HS .....	hex socket	TH .....	truss head
HSBH .....	hex socket button head	TTH .....	Torx truss head
HSFH .....	hex socket flat head	WH .....	wing head
HSH .....	hex socket head		
HWH .....	hex washer head		

# Important Format Explanations

This catalog uses special formats to convey information in illustrations and parts lists. Specifically, one format is used in conjunction with service assemblies and another with quantities associated with reference numbers.

## Service Assemblies

Parts within service assemblies have reference numbers in the form  $X:Y$ .  $X$  is the reference number of the service assembly and  $Y$  is a sequential number unique to each part within the service assembly.

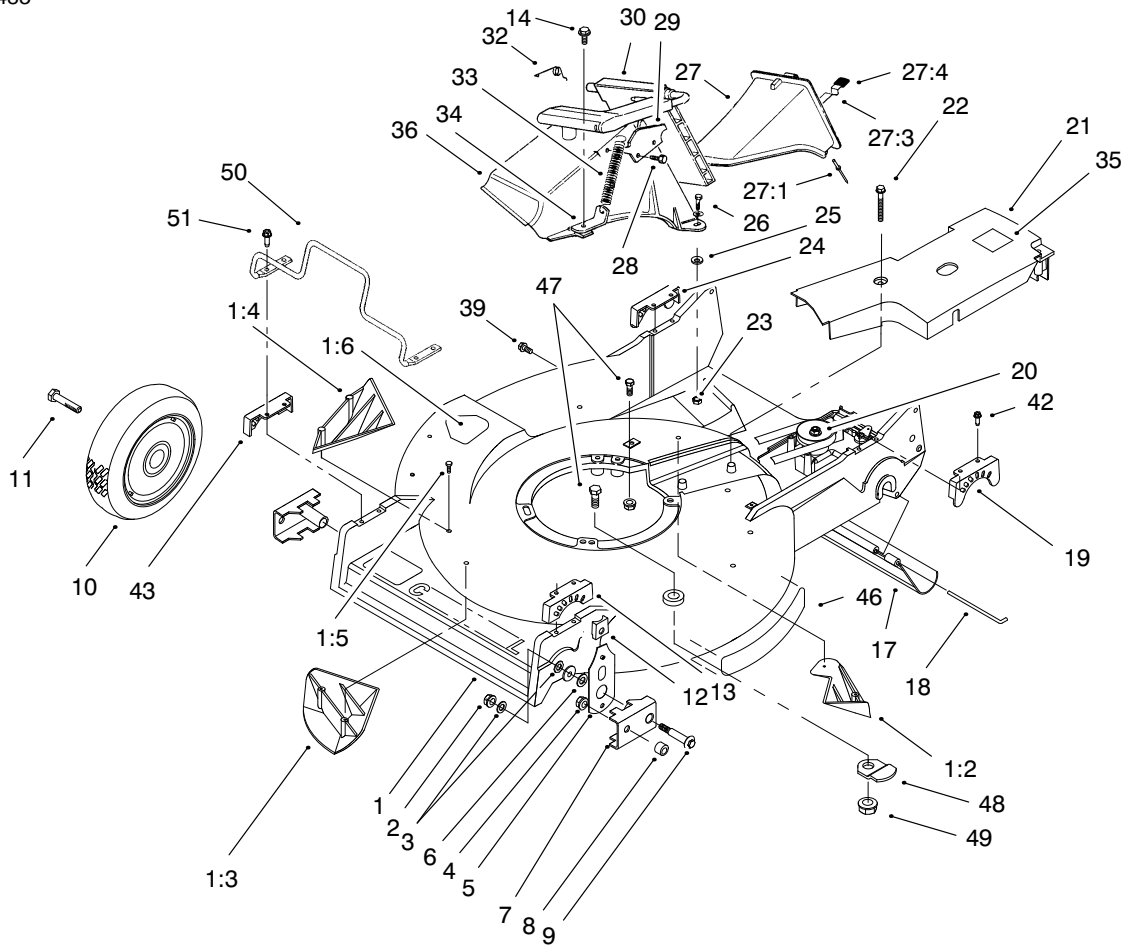
For example, a wheel assembly might be identified by reference number 6, the tire by 6:1, the valve by 6:2, and the wheel by 6:3. When you order the assembly identified by reference number 6, you receive all parts identified by reference numbers 6:1, 6:2, and 6:3. However, you may also order any part individually.

Reference numbers of this type appear in part lists and as callouts in illustrations.

## Reference Numbers with Quantities

Illustrations may have a quantity in parentheses next to a reference number, in the form  $X (Y)$ .  $X$  is the reference number.  $Y$  in parentheses is the quantity of the part identified by the reference number.

For example, the illustration callout 4 (2) indicates that two parts are used in that instance.

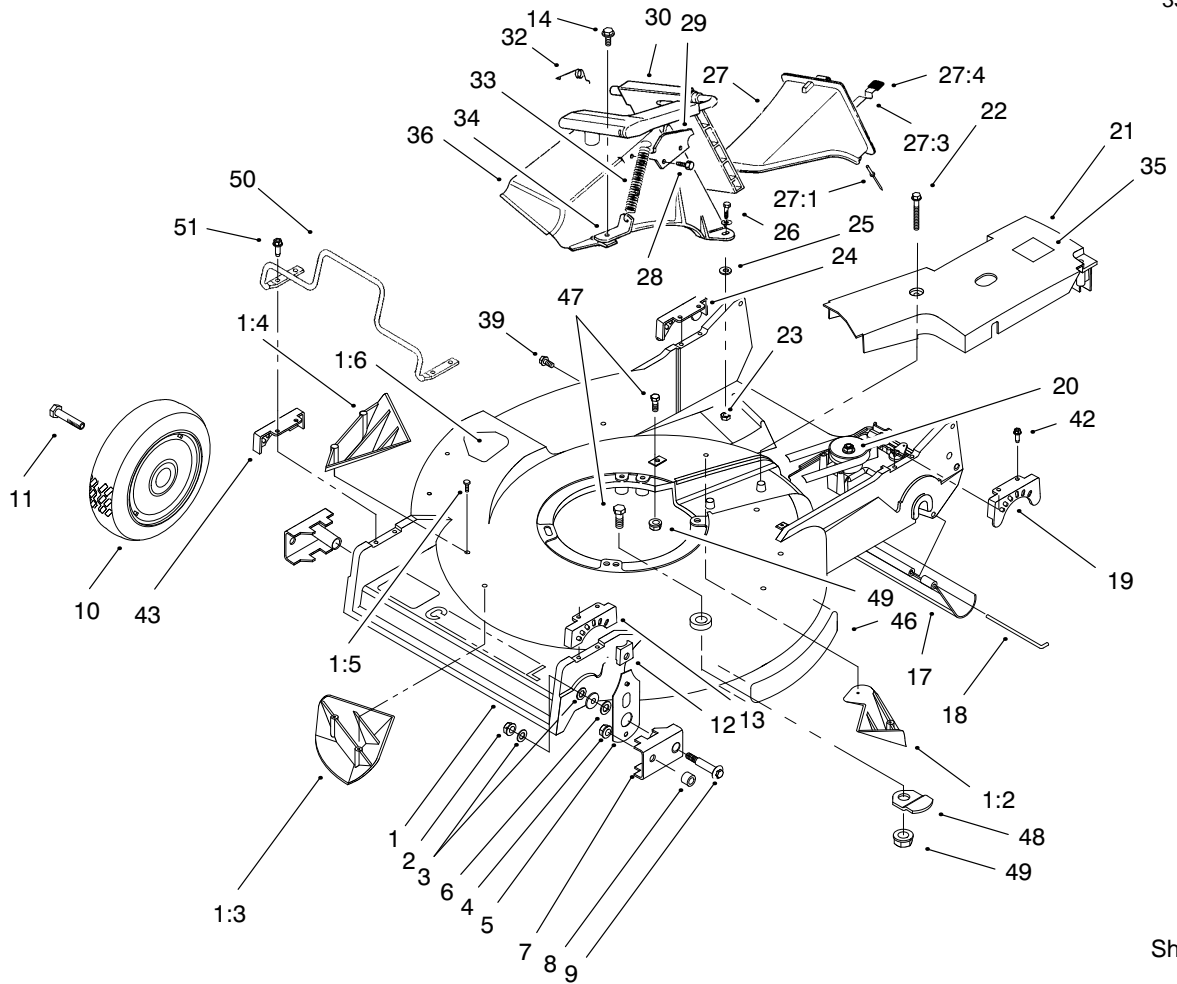


Sheet No.:2

## Housing Assembly

Ref. No.	Part No.	Qty.	Description
1	98-7146	1	Housing – Service
1:2	92-1750	1	Kicker – Rear, Sp
1:3	92-1720	1	Kicker – Front
1:4	92-1730	1	Kicker – R.h.
1:5	32144-111	6	Screw–Plask
1:6	43-8480	1	Decal–Danger
2	3296-6	2	Nut–Lock Ni
3	40-1940	4	Washer–Wheel Bolt
4	32152-2	2	Nut–Conelock
5	66-7560	2	Front Spring Arm ASM
6	257-3	2	Washer–Thrust
7	61-8300	2	Pivot Arm Wa – Front
8	52-2480	2	Spacer–Wheel
9	27-6232	2	Bolt–Wheel
10	53-7720	2	Wheel & Tire ASM
11	323-12	2	Screw–HH
12	25-7740	2	Knob–Arm
13	49-8760	1	Quadrant–LH Front
14	46-6811	1	Screw/Washer V
17	44-0580	1	Shield – Trailing
18	33-3208	1	Rod–Shield
19	49-8740	1	Quadrant–LH Rear
20	74-1861	1	Gear Case ASM (Service)
21	99-6298	1	Cover–Belt, Sp (Commercial)

Ref. No.	Part No.	Qty.	Description
22	37-7260	2	Screw–HH
23	3296-42	2	Nut–Lock Ni
24	49-8750	1	Quadrant–RH Rear
25	3256-22	2	Washer–Flat
26	321-7	2	Screw–HH
27	77-0500	1	Discharge Plug Assembly
27:1	3295-35	1	Rivet–Alum
27:3	76-4640	1	Latch–Disc. Plug
27:4	76-4650	1	Grip–Latch
28	46-8090	2	Screw–Plastite
29	93-3154	1	Latch–Plate
30	93-7351	1	ASM – Discharge Door
32	80-3770	1	Spring–Door Ret
33	76-4660	1	Spring–Door
34	71-9350	1	Bracket–Spring
35	52-2620	1	Label–Sp Grease
39	46-6810	1	Screw & Washer ASM
42	49-2040	4	Screw–Taptite
43	49-8770	1	Quadrant–RH Front
46	92-7988	1	Decal – Recycler
47	323-6	3	Screw–HH
48	84-8930	2	Shield–Retainer
49	3296-39	3	Nut–Lock Ni
50	99-6722	1	Guard Engine



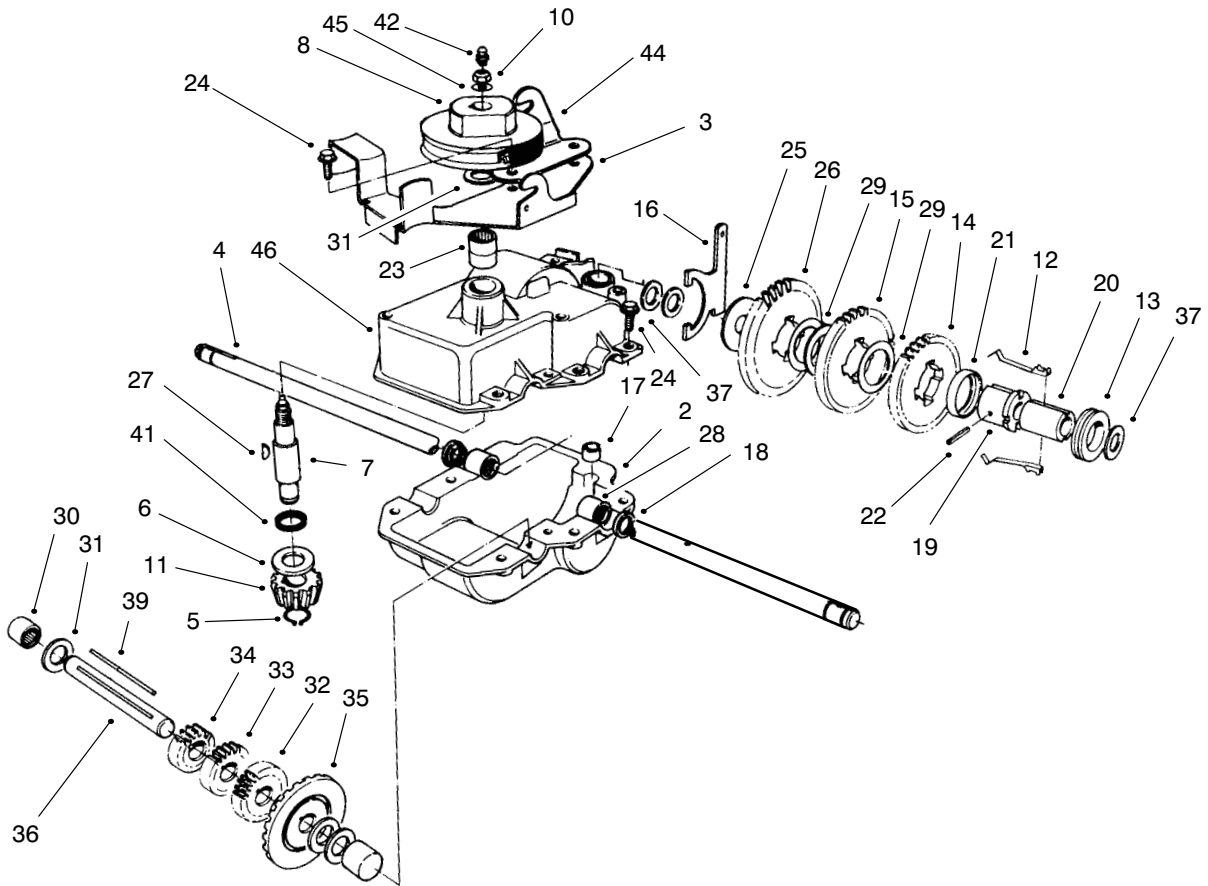
Sheet No.:2

### Housing Assembly (cont.)

Ref. No.	Part No.	Qty.	Description
51	32144-86	4	Screw-HH

Ref. No.	Part No.	Qty.	Description



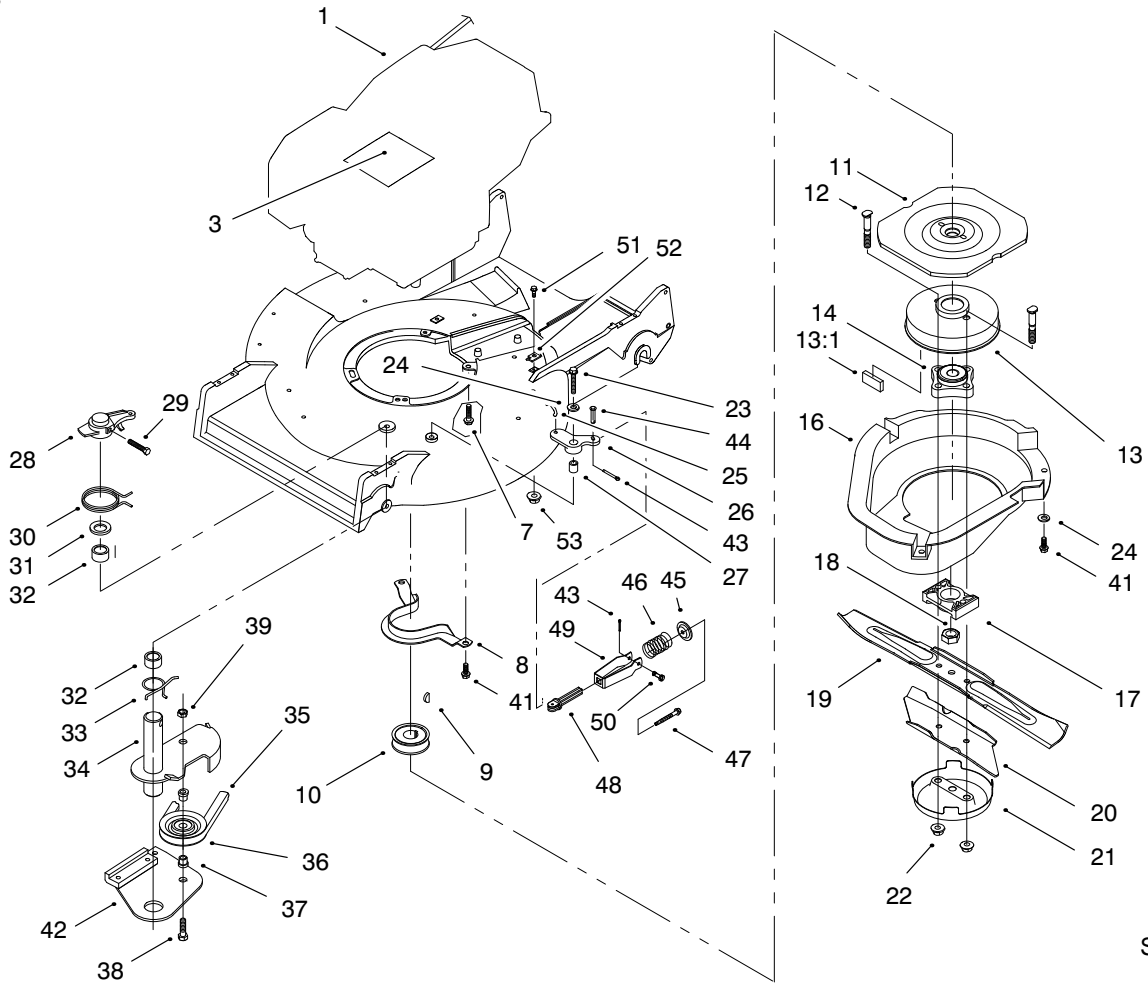


Sheet No.:2a

## Gear Case Assembly

Ref. No.	Part No.	Qty.	Description	Ref. No.	Part No.	Qty.	Description
2	74-1920	2	Case-Lower Gear	28	48-2060	4	Bearing-Roller
3	49-8461-03	1	Bracket-Belt Guide	29	36-4770	6	Washer
4	74-1890	2	Shaft-Output	30	252-103	4	Bearing-Closed
5	32151-57	2	Ring-Retaining	31	36-4792	8	Washer-Thrust
6	47-2910	2	Washer-Thrust	32	39-6650	2	Gear-18t
7	13-5149	1	Input Shaft w/Zerk	33	46-3550	2	Gear
8	39-6740	2	Pulley	34	46-3540	2	Gear
9	74-1880	2	Case-Upper Gear	35	74-1760	2	Gear-Bevel
10	3296-5	2	Nut-Lock Ni	36	53-7950	2	Shaft-Intermediate
11	39-6660	2	Pinion-Bevel	37	36-4780	6	Washer
12	29-9330	4	Key	39	39-7842	2	Key
13	29-9340	2	Collar-Shift	41	47-7260	2	Seal
14	42-4740	2	Gear-38 Tooth	42	302-63	2	Zerk
15	29-9271	2	Gear-42 Tooth	44	74-1750-03	1	Brk-Traction Engage
16	60-8870	2	Yoke-Shift	45	3256-45	2	Washer-Flat
17	29-9570	2	Bushing-Yoke	*	74-1861	1	Gear Case ASM (Service)
18	47-6730	4	Seal-Oil				
19	55-8010	2	Sleeve-Gear				
20	39-6720	2	Sleeve				
21	55-8020	2	Retainer-Key				
22	3285-19	2	Pin-Groove				
23	47-7270	4	Bearing				
24	49-2040	14	Screw-Taptite				
25	29-9690	2	Washer				
26	46-3560	2	Gear				
27	3257-1	4	Key-Woodruff				

\* Not Illustrated

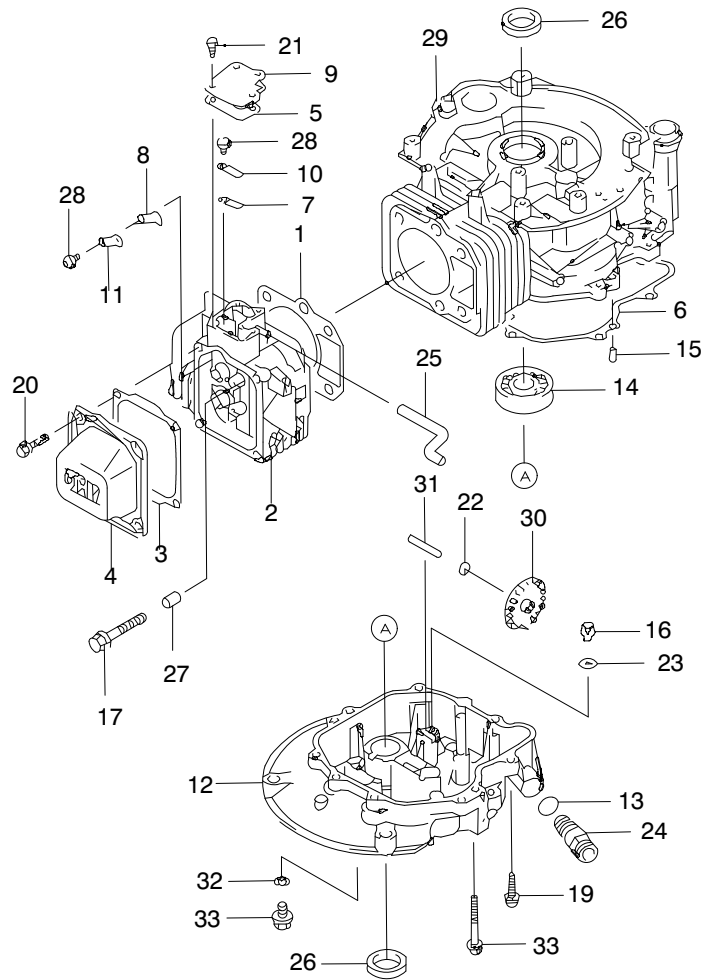


Sheet No.:3

## Engine & BBC Assembly

Ref. No.	Part No.	Qty.	Description
1		1	Engine-4cyc Bbc (Kawasaki)
3	99-6297	1	Decal Engine
7	100-2835	3	Screw-Engine Mount
8	66-0570-03	1	Brkt-Belt Guide
9	3257-17	1	Key-Hi-Pro
10	56-6180	1	Driver-Pulley
11	56-6160	1	Flywheel *B
12	42-3190	2	Bolt-Blade
13	94-9431	1	ASM - Brake Drum
13:1	52-3480	2	Dampner-Vibration
14	42-6890	1	Hub ASM (Bbc)
16	46-5693	1	Shield-Bbc
17	62-4280	1	Spacer-Blade
18	3296-33	1	Nut-Lock Ni
19	14-9419	1	Blade w/Decal
20	91-2255-03	1	Stiffener-Blade Bbc
21	80-2770	1	Anti-Scalp Cup
22	54-9190	2	Nut-Lock
23	32104-107	1	Screw-HH
24	3256-23	1	Washer-Flat
25	49-2810	1	Link - Control
26	49-7960	1	Bellcrank
27	49-7950	1	Sleeve-Bellcrank
28	49-2820	1	Lever
29	32104-96	1	Screw-HH

Ref. No.	Part No.	Qty.	Description
30	49-7970	1	Spring-Torsion
31	70-1160	1	Washer - Pm
32	68-9780	2	Bearing
33	85-6880	1	Spring-Torsion
34	84-9130	1	Brake Plate Wa
35	42-0884	1	V-Belt
36	46-5650	1	Pulley-Idler
37	46-5631	2	Hub-Idler Pulley
38	322-6	1	Screw-HH
39	3296-47	1	Nut-Lock Ni
41	32144-70	3	Screw-Taptite
42	84-9180	1	Brake Plate Assembly
43	3272-1	2	Pin-Cotter
44	84-9050	1	Pin-Spring
45	65-5280	1	Retainer-Spring
46	84-9100	1	Spring-Bbc
47	46-7040	1	Screw-Thd Form
48	84-8870	1	Guide-Spring
49	84-8880-03	1	Bracket-Spring
50	84-9040	1	Pin-Cable
51	322-6	1	Screw-HH
52	62-3720	1	Cable Clamp
53	3296-58	1	Nut-Lock Ni



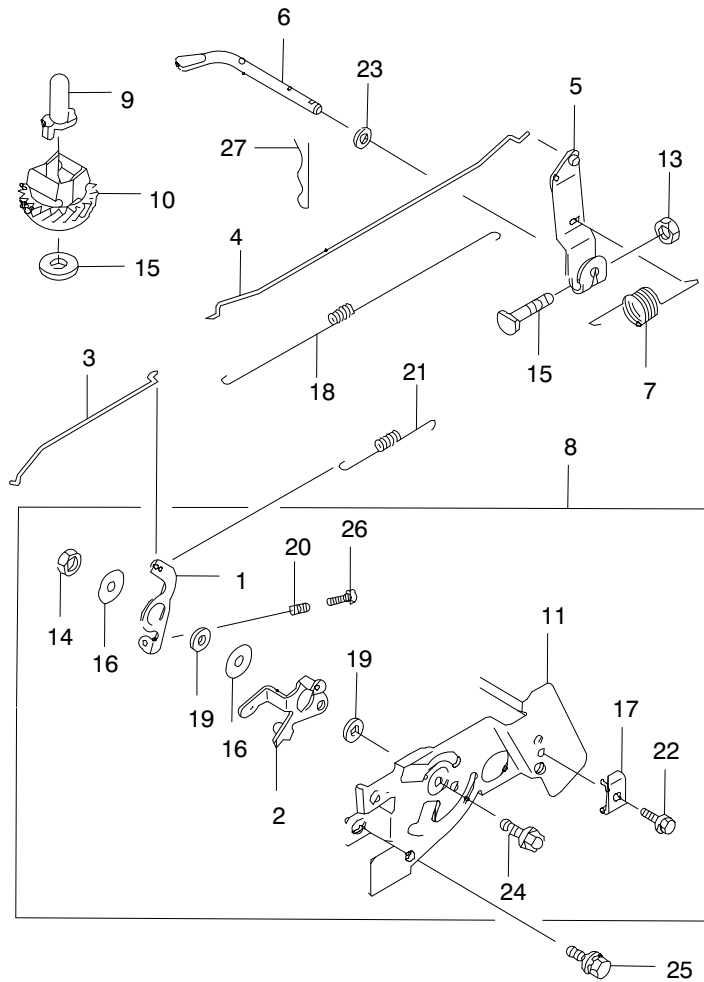
Sheet No.:3a

### Cylinder/Crankcase

Ref. No.	Part No.	Qty.	Description
1	100-2742	1	Gasket-Head
2	100-2743	1	Head-Complete-Cylinder
3	100-2744	1	Gasket Rocker Case
4	100-2745	1	Case-Rocker
5	100-2746	1	Gasket Cover
6	100-2747	1	Gasket Crankcase Cover
7	100-2748	1	Plate
8	100-2749	1	Plate
9	100-2779	1	Cover
10	100-2780	1	Valve
11	100-2781	1	Valve
12	100-2782	1	Cover-Crankcase
13	100-2840	1	O-Ring
14	100-2841	1	Ball Bearing
15	93-8516	2	Pin
16	100-2842	1	Bolt Upset Wsp
17	Kw10035	4	Bolt, Flanged 8x45
18	Kw10033	1	Bolt, Flanged 8x12
19	100-2610	6	Bolt Flanged
20	100-2804	4	Bolt-Flanged
21	100-2609	4	Bolt Flanged
22	100-2843	1	Washer 6x12x1.6
23	100-2844	1	Washer 5x16x0.8
24	100-2854	1	Plug

Ref. No.	Part No.	Qty.	Description
25	100-2846	1	Tube
26	100-2847	2	Seal Oil
27	100-2848	2	Pin
28	93-8549	2	Screw
29	100-2849	1	Crankcase Complete
30	99-6728	1	Oil Slinger
31	99-6729	1	Shaft
32	99-6730	1	Gasket
33	100-2855	1	Bolt Flanged





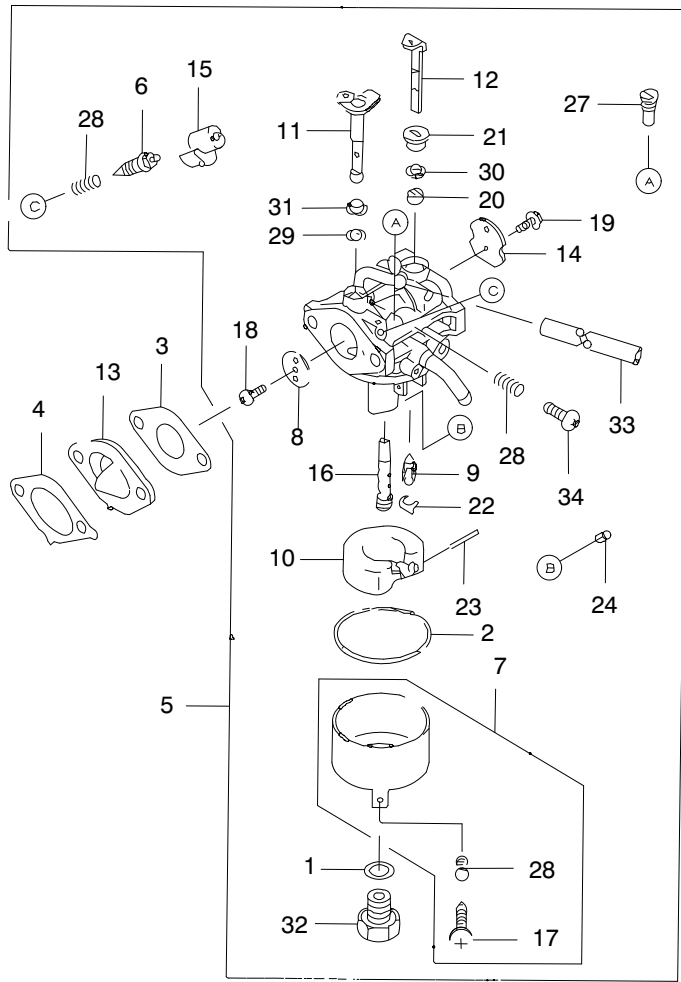
Sheet No.:3b

## Control Equipment

Ref. No.	Part No.	Qty.	Description	Ref. No.	Part No.	Qty.	Description
1	100-2700	1	Lever				
2	100-2701	1	Lever				
3	100-2702	1	Link-Choke				
4	100-2703	1	Link				
5	100-2704	1	Arm-ASM				
6	100-2705	1	Arm-Pivot				
7	100-2706	1	Spring-Governor				
8	100-2707	1	Panel-ASM Control				
9	100-2708	1	Sleeve				
10	93-8611	1	Governor ASM				
11	100-2710	1	Panel-Control				
12	93-8608	1	Washer				
13	93-8631	3	Nut				
14	93-8595	1	Nut				
15	94-6842	1	Washer				
16	100-2715	2	Washer 6x9x1.2				
17	95-9849	1	Clamp				
18	100-2717	1	Spring Link				
19	100-2718	2	Collar 6x13x2.3				
20	93-8588	1	Spring				
22	95-9853	1	Bolt				
23	93-8608	1	Washer				
24	95-9837	1	Bolt - Flanged				
25	100-2724	2	Bolt-Upset-Wsp				
26	100-2725	1	Screw-Pan				
27	93-8607	1	Pin-Snap				







Sheet No.:3e

## Carburetor

Ref. No.	Part No.	Qty.	Description
1	100-2611	1	Gasket
2	100-2612	1	Gasket
3	100-2613	1	Gasket Carburetor
4	100-2614	1	Gasket Insulator
5	100-2615	1	Carburetor ASM
6	100-2616	1	Screw Pilot Air
7	100-2617	1	Chamber Float
8	100-2618	1	Valve Throttle
9	100-2619	1	Valve Float
10	100-2620	1	Float
11	100-2621	1	Shaft Carburetor Throttle
12	100-2622	1	Shaft Carburetor Choke
13	100-2623	1	Insulator
14	100-2624	1	Valve
15	100-2625	1	Limiter
16	100-2626	1	Nozzle Main
17	100-2627	1	Screw
18	100-2628	1	Screw
19	100-2629	2	Screw
20	100-2630	1	Collar
21	100-2631	1	Collar
22	Kw10297	1	Clip
23	100-2633	1	Pin
24	100-2634	1	Jet Main #62.5

Ref. No.	Part No.	Qty.	Description
27	100-2635	1	Jet Pilot #37.5
28	100-2636	3	Spring
29	100-2637	1	Seal
30	100-2638	1	Seal
31	100-2639	1	Collar
32	100-2640	1	Bolt
33	100-2641	1	Tube 4x7x125
34	100-2642	1	Screw Pan



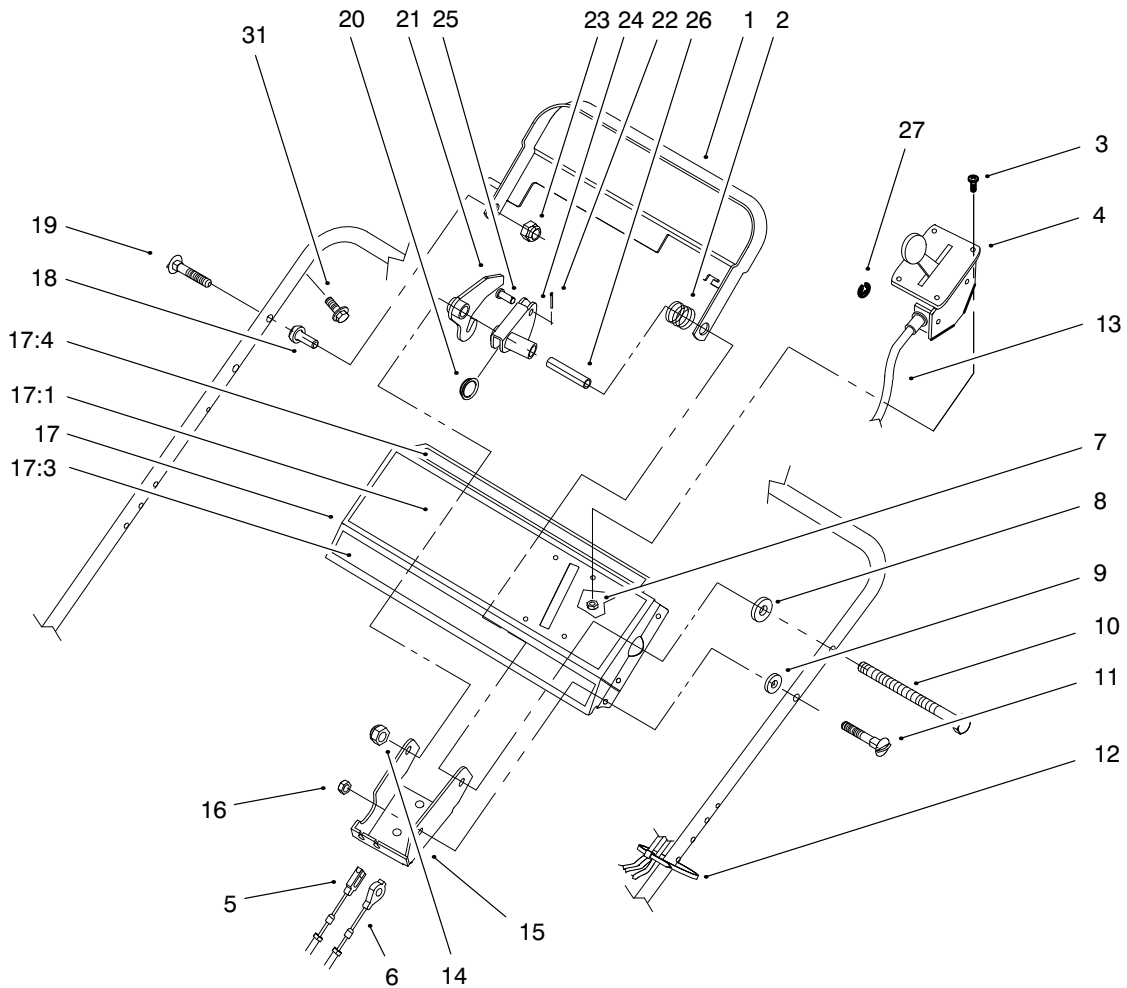












Sheet No.:5

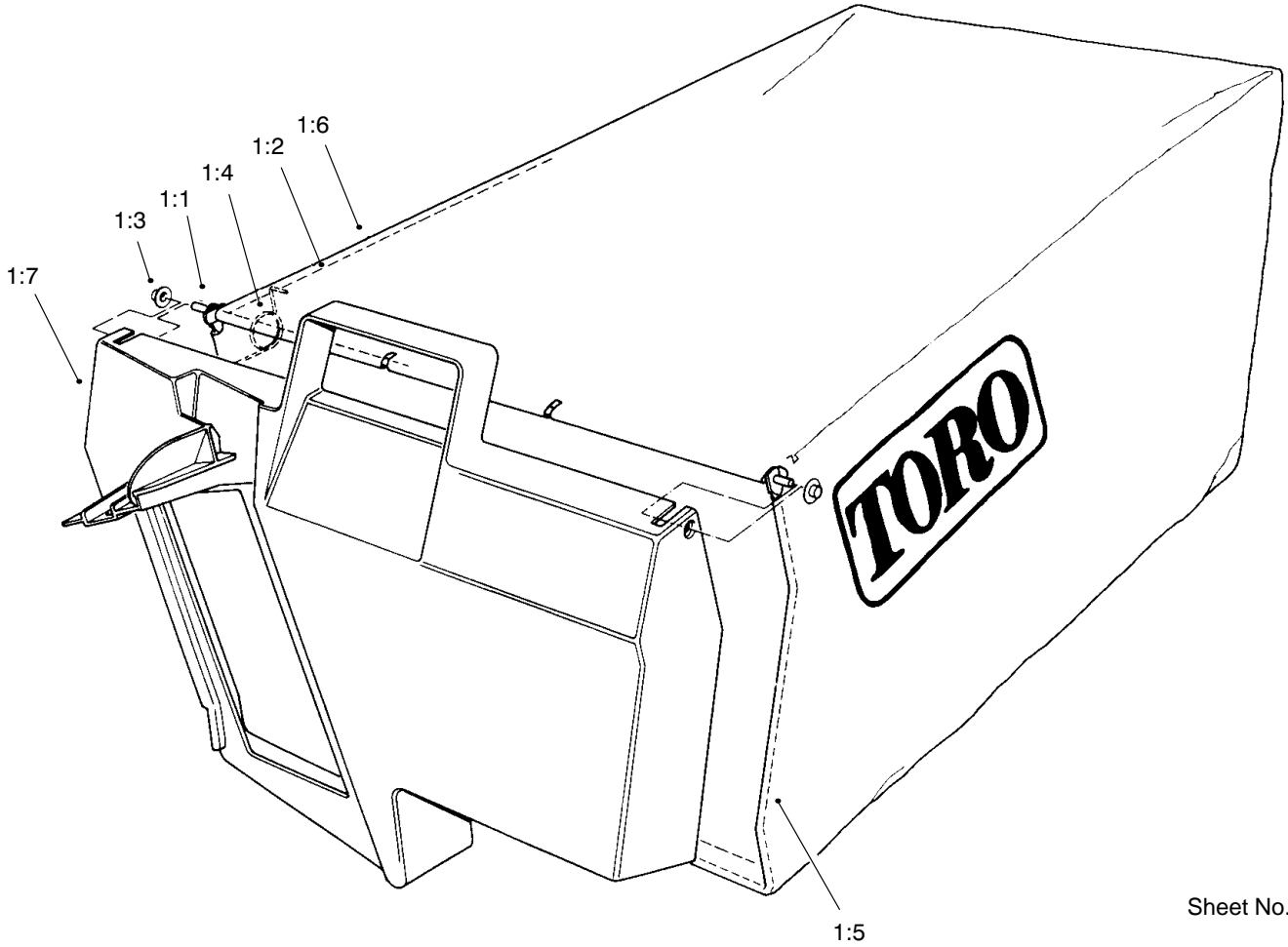
## Panel & Controls Assembly

Ref. No.	Part No.	Qty.	Description
1	84-8940-03	1	Control Bar Wa
2	85-6750	1	Spring-Control
3	3250-12	4	Screw-PPH
4	85-6770	1	Control-Throttle
5	84-9120	1	Cable-Traction
6	84-9110	1	Cable-Clutch
7	3296-2	4	10-24 Lt Esna
8	71-9310	1	Spacer
9	71-9320	1	Spacer
10	322-19	1	Screw-HH
11	46-6430	1	Screw-Handle
12	3290-378	1	Tie-Cable
13	100-2839	1	Cable-Throttle
14	3296-29	1	Nut-Lock Ni
15	92-1778-03	1	Bracket-Control
16	3296-42	1	Nut-Lock Ni
17	14-7709	1	Panel w/Decals
17:1	85-6730	1	Decal-Panel
17:3	85-6720	1	Decal-Proline Panel
17:4	63-9060	1	Decal-Danger
18	49-1631	1	Spacer-Support
19	17-9427	1	Screw-Hdle
20	86-9320	1	Bushing-Nylon Flange
21	84-9000	1	Traction Lever Wa
22	3272-1	1	Pin-Cotter
23	3296-58	1	Nut-Lock Ni

Ref. No.	Part No.	Qty.	Description
24	84-8990	1	Bbc Lever Wa
25	84-9040	1	Pin-Cable
26	84-9030	1	Spacer-Control Bracket
27	32151-86	1	E-Ring - Throt & Tract
31	32104-76	6	Screw-Acorn Slot







Sheet No.:6b

### Bagging Assembly

Ref. No.	Part No.	Qty.	Description
*	99-2535	1	Grass Bag Assy-Service Only
1:1	33-4820	1	Hinge-Bag Door
1:2	42-4030	1	Frame-Upper Bag
1:3	3290-422	2	Nut-Push
1:4	36-6910	2	Spring
1:5	42-4020	1	Frame-Bag
1:6	98-9222	1	ASM - Grass Bag
1:7	48-2840	1	Door-grass Bag

Ref. No.	Part No.	Qty.	Description

\* Not Illustrated

# Toro Part Number Index

Part No.	Page No.	Ref. No.	Qty.	Description
612066	19	13	2	Key Burg-Nort
3-3287	17	13	2	Spacer-Handle Latch
Kw10010	15	1	1	Gasket
Kw10033	6	18	1	Bolt, Flanged 8x12
Kw10035	6	17	4	Bolt, Flanged 8x45
Kw10087	10	6	1	Cap Plug
Kw10297	11	22	1	Clip
13-5149	4	7	1	Input Shaft w/Zerk
14-7709	18	17	1	Panel w/Decals
14-9419	5	19	1	Blade w/Decal
17-9427	18	19	1	Screw-Hdle
25-7740	1	12	2	Knob-Arm
25-7740	19	18	2	Knob-Arm
27-6232	1	9	2	Bolt-Wheel
27-7210	17	14	2	Screw-Shoulder
29-9271	4	15	2	Gear-42 Tooth
29-9330	4	12	4	Key
29-9340	4	13	2	Collar-Shift
29-9570	4	17	2	Bushing-Yoke
29-9690	4	25	2	Washer
33-3208	1	18	1	Rod-Shield
33-4820	21	1:1	1	Hinge-Bag Door
36-4770	4	29	6	Washer
36-4780	4	37	6	Washer
36-4792	4	31	8	Washer-Thrust
36-6910	21	1:4	2	Spring
36-8070	19	1	1	V-Belt
37-7260	1	22	2	Screw-HH
39-6650	4	32	2	Gear-18t
39-6660	4	11	2	Pinion-Bevel
39-6720	4	20	2	Sleeve
39-6740	4	8	2	Pulley
39-7842	4	39	2	Key
39-9160	19	7	2	Gear-Pinion
39-9650	19	12	2	Spring-Comp
40-1940	1	3	4	Washer-Wheel Bolt
42-0884	5	35	1	V-Belt
42-3190	5	12	2	Bolt-Blade
42-4020	21	1:5	1	Frame-Bag
42-4030	21	1:2	1	Frame-Upper Bag
42-4740	4	14	2	Gear-38 Tooth
42-6890	5	14	1	Hub ASM (Bbc)
43-8480	1	1:6	1	Decal-Danger
44-0580	1	17	1	Shield - Trailing
46-3540	4	34	2	Gear
46-3550	4	33	2	Gear
46-3560	4	26	2	Gear
46-5631	5	37	2	Hub-Idler Pulley
46-5650	5	36	1	Pulley-Idler
46-5693	5	16	1	Shield-Bbc
46-6430	18	11	1	Screw-Handle
46-6810	1	39	1	Screw & Washer ASM
46-6811	1	14	1	Screw/Washer V
46-7030	17	11	1	Retainer-Cable
46-7040	5	47	1	Screw-Thd Form
46-8090	1	28	2	Screw-Plastite
47-2910	4	6	2	Washer-Thrust
47-6730	4	18	4	Seal-Oil
47-6730	19	16:1	1	Seal-Oil
47-7260	4	41	2	Seal
47-7270	4	23	4	Bearing
48-2060	4	28	4	Bearing-Roller

\*Not Illustrated

# Toro Part Number Index (cont.)

Part No.	Page No.	Ref. No.	Qty.	Description
48-2060	19	16:2	1	Bearing-Roller
48-2170	19	4	2	Cap-End
48-2810	17	15	1	Rod-Bag Support
48-2840	21	1:7	1	Door-grass Bag
49-1631	18	18	1	Spacer-Support
49-2040	1	42	4	Screw-Taptite
49-2040	4	24	14	Screw-Taptite
49-2810	5	25	1	Link - Control
49-2820	5	28	1	Lever
49-7700	19	15	2	Washer-Outer Thrust
49-7950	5	27	1	Sleeve-Bellcrank
49-7960	5	26	1	Bellcrank
49-7970	5	30	1	Spring-Torsion
49-8461-03	4	3	1	Bracket-Belt Guide
49-8740	1	19	1	Quadrant-LH Rear
49-8750	1	24	1	Quadrant-RH Rear
49-8760	1	13	1	Quadrant-LH Front
49-8770	1	43	1	Quadrant-RH Front
52-2410	3	2:1:1	1	Hub-Bearing Supt
52-2410	20	2:1:1	1	Hub-Bearing Supt
52-2440	3	2:1:2	1	Spacer-Bearing
52-2440	20	2:1:2	1	Spacer-Bearing
52-2450	3	2:1:3	2	Bearing-Wheel
52-2450	19	16:3	1	Bearing-Wheel
52-2450	20	2:1:3	2	Bearing-Wheel
52-2480	1	8	2	Spacer-Wheel
52-2620	1	35	1	Label-Sp Grease
52-3480	5	13:1	2	Dampner-Vibration
53-7720	1	10	2	Wheel & Tire ASM
53-7740	3	1	1	Tire
53-7740	20	1	1	Tire
53-7780-06	3	2:4	2	Plate-Wheel Half
53-7780-06	20	2:4	1	Plate-Wheel Half
53-7950	4	36	2	Shaft-Intermediate
54-9190	5	22	2	Nut-Lock
55-8010	4	19	2	Sleeve-Gear
55-8020	4	21	2	Retainer-Key
56-6160	5	11	1	Flywheel *B
56-6180	5	10	1	Driver-Pulley
60-8870	4	16	2	Yoke-Shift
61-8300	1	7	2	Pivot Arm Wa - Front
62-3720	5	52	1	Cable Clamp
62-3830	19	6	2	Washer-Outer Thrust
62-4280	5	17	1	Spacer-Blade
63-9060	18	17:4	1	Decal-Danger
65-5280	5	45	1	Retainer-Spring
66-0570-03	5	8	1	Brkt-Belt Guide
66-7560	1	5	2	Front Spring Arm ASM
66-7561	19	17	2	Rear Spring Arm ASM
68-9780	5	32	2	Bearing
70-1160	5	31	1	Washer - Pm
71-9310	18	8	1	Spacer
71-9320	18	9	1	Spacer
71-9350	1	34	1	Bracket-Spring
74-1640	19	8	2	Cover-Wheel
74-1650	19	11	2	Spacer-Wheel Cover
74-1720	19	9	2	Wheel & Tire ASM Sp
74-1741-03	17	10	1	Brkt-Traction Adj.
74-1750-03	4	44	1	Brk-Traction Engage
74-1760	4	35	2	Gear-Bevel
74-1810	19	3	2	Washer
74-1851	19	16	2	Pivot Arm Assembly

\*Not Illustrated

# Toro Part Number Index (cont.)

Part No.	Page No.	Ref. No.	Qty.	Description
74-1861	1	20	1	Gear Case ASM (Service)
74-1861	4	*	1	Gear Case ASM (Service)
74-1880	4	9	2	Case-Upper Gear
74-1890	4	4	2	Shaft-Output
74-1920	4	2	2	Case-Lower Gear
74-1960	19	19	1	Lever-Shift
74-1970	17	20	1	Decal - Gear Position
76-4640	1	27:3	1	Latch-Disc. Plug
76-4650	1	27:4	1	Grip-Latch
76-4660	1	33	1	Spring-Door
77-0500	1	27	1	Discharge Plug Assembly
80-2770	5	21	1	Anti-Scalp Cup
80-3770	1	32	1	Spring-Door Ret
84-8361-03	17	6	1	Latch-LH Handle
84-8401-03	17	21	1	Latch-RH Handle
84-8870	5	48	1	Guide-Spring
84-8880-03	5	49	1	Bracket-Spring
84-8930	1	48	2	Shield-Retainer
84-8940	18	1	1	Control Bar Wa
84-8990	18	24	1	Bbc Lever Wa
84-9000	18	21	1	Traction Lever Wa
84-9030	18	26	1	Spacer-Control Bracket
84-9040	5	50	1	Pin-Cable
84-9040	18	25	1	Pin-Cable
84-9050	5	44	1	Pin-Spring
84-9100	5	46	1	Spring-Bbc
84-9110	18	6	1	Cable-Clutch
84-9120	18	5	1	Cable-Traction
84-9130	5	34	1	Brake Plate Wa
84-9180	5	42	1	Brake Plate Assembly
85-6720	18	17:3	1	Decal-Proline Panel
85-6730	18	17:1	1	Decal-Panel
85-6750	18	2	1	Spring-Control
85-6770	18	4	1	Control-Throttle
85-6880	5	33	1	Spring-Torsion
86-9320	18	20	1	Bushing-Nylon Flange
91-2255-03	5	20	1	Stiffener-Blade Bbc
92-1720	1	1:3	1	Kicker - Front
92-1730	1	1:4	1	Kicker - R.h.
92-1750	1	1:2	1	Kicker - Rear, Sp
92-1778-03	18	15	1	Bracket-Control
92-4957-06	20	2:5	1	Wheel Half/Gear ASM
92-6316	19	16:5	1	Zerk - Special Drive
92-7988	1	46	1	Decal - Recycler
93-3154	1	29	1	Latch-Plate
93-7351	1	30	1	ASM - Discharge Door
93-8516	6	15	2	Pin
93-8526	12	13	1	Key
93-8527	12	14	2	Bolt-Rod
93-8533	7	11	2	
93-8534	7	12	2	
93-8549	6	28	2	Screw
93-8549	13	11	3	Screw
93-8555	16	14	1	
93-8568	10	21	1	Nut
93-8571	10	12	1	Key
93-8588	8	20	1	Spring
93-8595	8	14	1	Nut
93-8607	8	27	1	Pin-Snap
93-8608	8	12	1	Washer
93-8608	8	23	1	Washer
93-8611	8	10	1	Governor ASM

\*Not Illustrated

# Toro Part Number Index (cont.)

Part No.	Page No.	Ref. No.	Qty.	Description
93-8631	8	13	3	Nut
93-8639	13	24	2	Washer
94-6842	8	15	1	Washer
94-9044	16	1	1	Cap - Grip
94-9431	5	13	1	ASM - Brake Drum
95-9716	13	12	2	Screw
95-9837	8	24	1	Bolt - Flanged
95-9849	8	17	1	Clamp
95-9853	8	22	1	Bolt
98-2385-03	17	1	1	Handle
98-7146	1	1	1	Housing - Service
98-9222	21	1:6	1	ASM - Grass Bag
99-2535	21	*	1	Grass Bag Assy - Service Only
99-6297	5	3	1	Decal Engine
99-6298	1	21	1	Cover - Belt, Sp (Commercial)
99-6722	1	50	1	Guard Engine
99-6728	6	30	1	Oil Slinger
99-6729	6	31	1	Shaft
99-6730	6	32	1	Gasket
100-2600	14	1	1	Cover Upper
100-2601	14	4	3	Stud
100-2602	14	5	1	Stud
100-2603	14	6	4	Nut
100-2604	14	7	4	Nut 6mm
100-2605	14	9	4	Spacer 6.2x7.8x22
100-2606	14	8	4	Spacer 6.2x7.8x17
100-2607	14	10	1	Grommet
100-2609	6	21	4	Bolt Flanged
100-2609	14	12	2	Bolt Flanged
100-2610	6	19	6	Bolt Flanged
100-2610	10	18	2	Bolt Flanged
100-2610	14	13	4	Bolt Flanged
100-2611	11	1	1	Gasket
100-2612	11	2	1	Gasket
100-2613	11	3	1	Gasket Carburetor
100-2614	11	4	1	Gasket Insulator
100-2615	11	5	1	Carburetor ASM
100-2616	11	6	1	Screw Pilot Air
100-2617	11	7	1	Chamber Float
100-2618	11	8	1	Valve Throttle
100-2619	11	9	1	Valve Float
100-2620	11	10	1	Float
100-2621	11	11	1	Shaft Carburetor Throttle
100-2622	11	12	1	Shaft Carburetor Choke
100-2623	11	13	1	Insulator
100-2624	11	14	1	Valve
100-2625	11	15	1	Limiter
100-2626	11	16	1	Nozzle Main
100-2627	11	17	1	Screw
100-2628	11	18	1	Screw
100-2629	11	19	2	Screw
100-2630	11	20	1	Collar
100-2631	11	21	1	Collar
100-2633	11	23	1	Pin
100-2634	11	24	1	Jet Main #62.5
100-2635	11	27	1	Jet Pilot #37.5
100-2636	11	28	3	Spring
100-2637	11	29	1	Seal
100-2638	11	30	1	Seal
100-2639	11	31	1	Collar
100-2640	11	32	1	Bolt
100-2641	11	33	1	Tube 4x7x125

\*Not Illustrated

# Toro Part Number Index (cont.)

Part No.	Page No.	Ref. No.	Qty.	Description
100-2642	11	34	1	Screw Pan
100-2652	10	3	1	Cover
100-2653	10	4	1	Insulator
100-2657	10	8	1	Coil ASM Ignition
100-2658	10	9	1	Flywheel Complete
100-2660	10	11	1	Wire Lead L=300mm
100-2662	10	13	1	Plug-Spark Bpr5es(Ngk)
100-2663	10	14	1	Bolt 4x20
100-2664	10	15	1	Clamp
100-2665	10	16	1	Washer
100-2668	10	19	1	Nut Hex
100-2672	12	1	1	Piston Engine
100-2673	12	2	1	Pin-Piston
100-2674	12	3	1	Ring Set Piston
100-2675	12	4	1	Ring Set Piston L0.25
100-2676	12	5	1	Ring Set Piston L0.50
100-2677	12	6	1	Piston Engine L0.25
100-2678	12	7	1	Piston Engine L0.50
100-2680	12	9	1	Rod ASM Connecting
100-2681	12	10	1	Rod ASM Connecting U/S=0.50
100-2682	12	11	1	Gear-Helical
100-2683	12	12	2	Ring-Snap
100-2687	15	3	1	Guide
100-2688	15	10	1	Gauge
100-2689	15	12	1	Filler
100-2690	15	20	1	O-Ring
100-2691	13	1	1	Cap Air Filter
100-2692	13	2	1	Element Air Filter
100-2693	13	3	1	Element Air Filter
100-2694	13	4	1	Element ASM Air Filter
100-2695	13	5	1	Bracket
100-2696	13	6	1	Gasket Intake Pipe
100-2697	13	7	1	Gasket Muffler
100-2698	13	8	1	Pipe-Intake
100-2699	13	9	1	Muffler Complete
100-2700	8	1	1	Lever
100-2701	8	2	1	Lever
100-2702	8	3	1	Link-Choke
100-2703	8	4	1	Link
100-2704	8	5	1	Arm-ASM
100-2705	8	6	1	Arm-Pivot
100-2706	8	7	1	Spring-Governor
100-2707	8	8	1	Panel-ASM Control
100-2708	8	9	1	Sleeve
100-2710	8	11	1	Panel-Control
100-2715	8	16	2	Washer 6x9x1.2
100-2717	8	18	1	Spring Link
100-2718	8	19	2	Collar 6x13x2.3
100-2724	8	25	2	Bolt-Upset-Wsp
100-2725	8	26	1	Screw-Pan
100-2727	7	1	1	Valve-Intake
100-2728	7	2	1	Valve-Exhaust
100-2729	7	3	2	Retainer-Valve Spring
100-2730	7	4	2	Arm-Rocker
100-2731	7	5	2	Tappet
100-2732	7	6	1	Guide
100-2733	7	7	2	Rod-Push
100-2734	7	8	1	Decompressor
100-2735	7	9	2	Spring-Engine Valve
100-2736	7	10	1	Camshaft-Complete
100-2739	7	13	3	Pin
100-2740	7	14	1	Spring

\*Not Illustrated

# Toro Part Number Index (cont.)

Part No.	Page No.	Ref. No.	Qty.	Description
100-2741	7	15	2	Bolt
100-2742	6	1	1	Gasket-Head
100-2743	6	2	1	Head-Complete-Cylinder
100-2744	6	3	1	Gasket Rocker Case
100-2745	6	4	1	Case-Rocker
100-2746	6	5	1	Gasket Cover
100-2747	6	6	1	Gasket Crankcase Cover
100-2748	6	7	1	Plate
100-2749	6	8	1	Plate
100-2750	13	10	1	Cover Muffler
100-2754	13	14	2	Spacer 6.2x7.8x8
100-2755	13	15	1	Tube
100-2756	13	16	1	Bolt
100-2757	13	17	1	Clamp
100-2758	13	18	1	Clamp
100-2759	13	19	2	Washer 7x21x2.3
100-2760	13	20	1	Washer 6.5x18x2.0
100-2760	14	11	4	Washer 6.5x18x2.0
100-2761	13	21	2	Bolt-Stud
100-2762	13	22	2	Bolt Upset Wp
100-2763	13	23	2	Screw Pan
100-2766	16	2	1	Holder
100-2767	16	3	1	Pawl Recoil Starter
100-2768	16	4	1	Retainer-Spring
100-2769	16	5	1	Grip Recoil Starter
100-2770	16	6	1	Pulley-Starting
100-2772	16	8	1	Reel Recoil Starter
100-2773	16	9	1	Rope 3.8x1400
100-2774	16	10	1	Screw 5x18
100-2775	16	11	1	Washer 5x12.8x1.2
100-2776	16	12	1	Spring Recoil
100-2777	16	13	1	Spring
100-2779	6	9	1	Cover
100-2780	6	10	1	Valve
100-2781	6	11	1	Valve
100-2782	6	12	1	Cover-Crankcase
100-2793	14	2	1	Cover Lower
100-2794	14	3	1	Cover
100-2796	10	7	1	Terminal
100-2798	10	23	1	Washer Plain
100-2804	6	20	4	Bolt-Flanged
100-2804	9	17	2	Bolt-Flanged
100-2804	15	23	3	Bolt-Flanged
100-2808	9	1	1	Gasket
100-2809	9	2	1	Guide
100-2810	9	3	1	Lever
100-2811	9	4	1	Filter Complete
100-2812	9	5	1	Filter Fuel
100-2813	9	7	1	Element-Breather
100-2814	9	6	1	Filter Fuel
100-2815	9	8	1	Tank Complete Fuel
100-2816	9	9	1	Cap-ASM-Tank
100-2817	9	10	1	Screw
100-2818	9	11	1	Clamp
100-2819	9	12	1	Tube
100-2820	9	13	2	Clamp
100-2821	9	14	1	Clamp
100-2822	9	15	2	Clamp
100-2823	9	16	1	Tube 4.8x10.3x433
100-2825	9	18	2	Screw-Pan-Wp
100-2828	12	8	1	Crankshaft
100-2830	15	22	1	Cover

\*Not Illustrated

# Toro Part Number Index (cont.)

Part No.	Page No.	Ref. No.	Qty.	Description
100-2831	15	21	1	O Ring
100-2835	5	7	3	Screw-Engine Mount
100-2837	16	7	1	Starter Recoil
100-2839	18	13	1	Cable-Throttle
100-2840	6	13	1	O-Ring
100-2841	6	14	1	Ball Bearing
100-2842	6	16	1	Bolt Upset Wsp
100-2843	6	22	1	Washer 6x12x1.6
100-2844	6	23	1	Washer 5x16x0.8
100-2846	6	25	1	Tube
100-2847	6	26	2	Seal Oil
100-2848	6	27	2	Pin
100-2849	6	29	1	Crankcase Complete
100-2854	6	24	1	Plug
100-2855	6	33	1	Bolt Flanged
252-103	4	30	4	Bearing-Closed
257-3	1	6	2	Washer-Thrust
302-63	4	42	2	Zerk
321-2	3	2:2	4	Screw-HH
321-2	20	2:2	4	Screw-HH
321-7	1	26	2	Screw-HH
322-6	5	38	1	Screw-HH
322-6	5	51	1	Screw-HH
322-6	17	9	2	Screw-HH
322-7	17	7	2	Screw-HH
322-19	18	10	1	Screw-HH
323-6	1	47	3	Screw-HH
323-12	1	11	2	Screw-HH
323-13	19	10	2	Screw-HH
3250-12	18	3	4	Screw-PPH
3256-22	1	25	2	Washer-Flat
3256-23	5	24	1	Washer-Flat
3256-45	4	45	2	Washer-Flat
3257-1	4	27	4	Key-Woodruff
3257-17	5	9	1	Key-Hi-Pro
3272-1	5	43	2	Pin-Cotter
3272-1	18	22	1	Pin-Cotter
3285-19	4	22	2	Pin-Groove
3290-378	17	2	1	Tie-Cable
3290-378	18	12	1	Tie-Cable
3290-422	21	1:3	2	Nut-Push
3290-456	17	5	4	Washer-Belleville
3295-35	1	27:1	1	Rivet-Alum
3296-2	18	7	4	10-24 Lt Esna
3296-5	4	10	2	Nut-Lock Ni
3296-6	1	2	2	Nut-Lock Ni
3296-29	17	4	4	Nut-Lock Ni
3296-29	18	14	1	Nut-Lock Ni
3296-33	5	18	1	Nut-Lock Ni
3296-39	1	49	3	Nut-Lock Ni
3296-42	1	23	2	Nut-Lock Ni
3296-42	3	2:3	4	Nut-Lock Ni
3296-42	18	16	1	Nut-Lock Ni
3296-42	20	2:3	4	Nut-Lock Ni
3296-47	5	39	1	Nut-Lock Ni
3296-47	17	23	2	Nut-Lock Ni
3296-58	5	53	1	Nut-Lock Ni
3296-58	18	23	1	Nut-Lock Ni
32104-76	18	31	6	Screw-Acorn Slot
32104-96	5	29	1	Screw-HH
32104-107	5	23	1	Screw-HH
32111-7	17	3	2	Nut-Cap

\*Not Illustrated

# Toro Part Number Index (cont.)

<b>Part No.</b>	<b>Page No.</b>	<b>Ref. No.</b>	<b>Qty.</b>	<b>Description</b>
32121-99	19	20	1	Pin-Coil
32144-70	5	41	3	Screw-Taptite
32144-70	17	22	1	Screw-Taptite
32144-86	2	51	4	Screw-HH
32144-111	1	1:5	6	Screw-Plask
32151-36	19	2	2	Ring-Retaining
32151-57	4	5	2	Ring-Retaining
32151-68	19	14	4	Ring-Retaining
32151-86	18	27	1	E-Ring - Throt & Tract
32152-2	1	4	2	Nut-Conelock
32152-2	19	5	2	Nut-Conelock