



**Count on it.**

**Parts Catalog**

**55cm Recycler®**

**SmartStow® Lawn Mower**

Model No. 20959—Serial No. 404320000 and Up



# Ordering Replacement Parts

To order replacement parts, please supply the part number, the quantity, and the description of each part desired.

## **Understanding Reference Numbers**

Each identified part in an illustration has a reference number. The reference number for a part also appears in the parts list, along with other information about the part.

This catalog uses two special reference number formats, one to indicate parts in a service assembly and another to indicate the quantity of a given part in an illustration.

## **Service Assembly Reference Numbers**

Parts in service assemblies have reference numbers in the form a:b. The a represents the reference number of the entire service assembly and the b represents a sequential number unique to each part within the service assembly.

For example, a wheel assembly might be identified by reference number 6, the tire by 6:1, the valve by 6:2, and the wheel by 6:3. When you order the assembly identified by reference number 6, you receive all parts identified by reference numbers 6:1, 6:2, and 6:3. However, you may also order any part individually. Reference numbers of this type appear in illustration and in parts lists.

## **Reference Numbers Indicating Quantity**

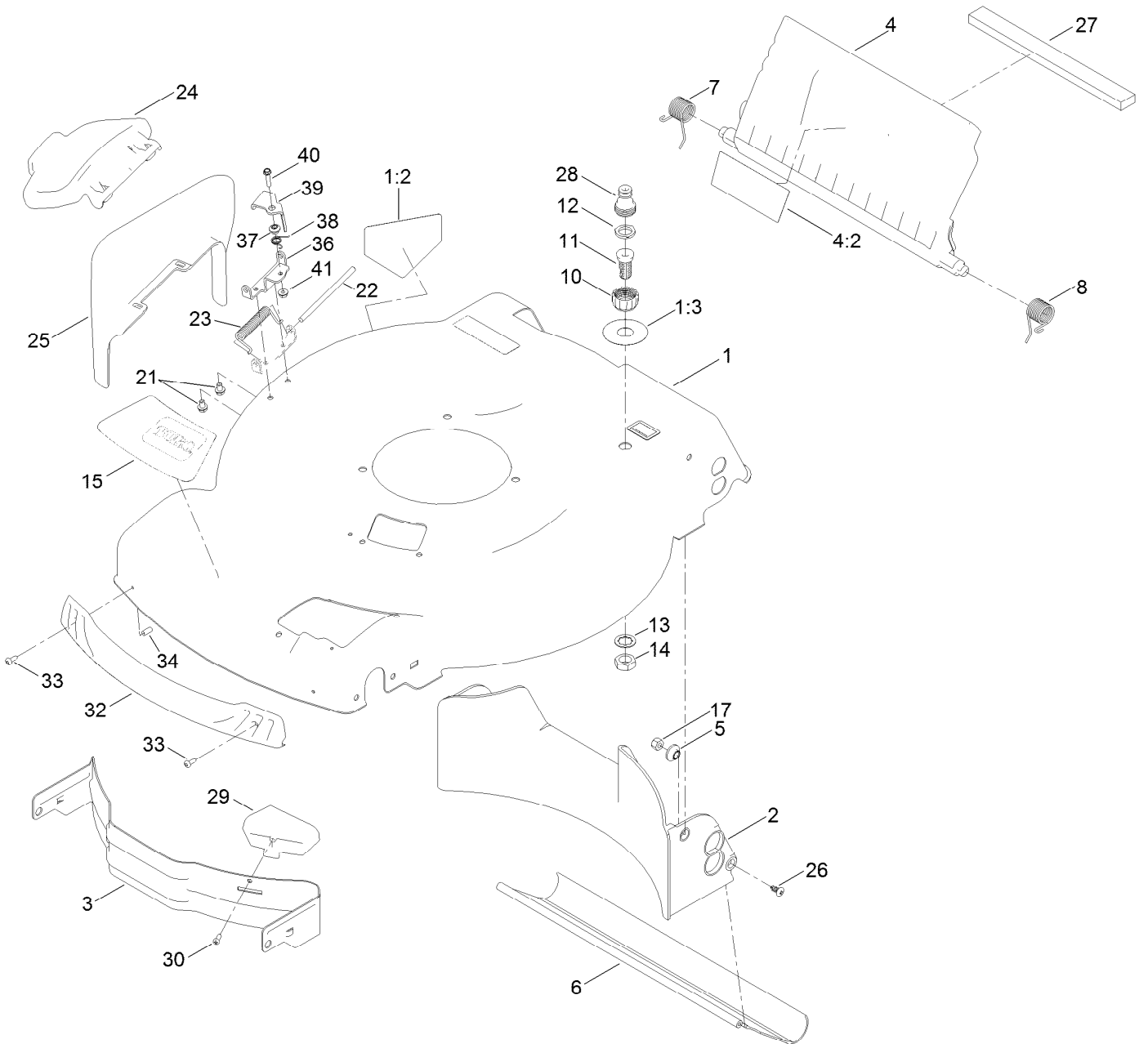
In an illustration, if a reference number indicates more than one part, the reference number has the form nX y. The n represents the quantity of the part, the X is the multiplication symbol, and the y represents the reference number.

For example, in an illustration, the reference number 2X 37 means that two of the parts identified by reference number 37 are indicated.

# Contents

- Housing Assembly ..... 4
- Rear Bag Assembly ..... 6
- Engine and Blade Assembly ..... 8
- Front Wheel and Height-of-Cut Assembly ..... 10
- Rear Wheel and Height-of-Cut Assembly ..... 12
- Handle Assembly ..... 14
- Attachments and Accessories ..... 16

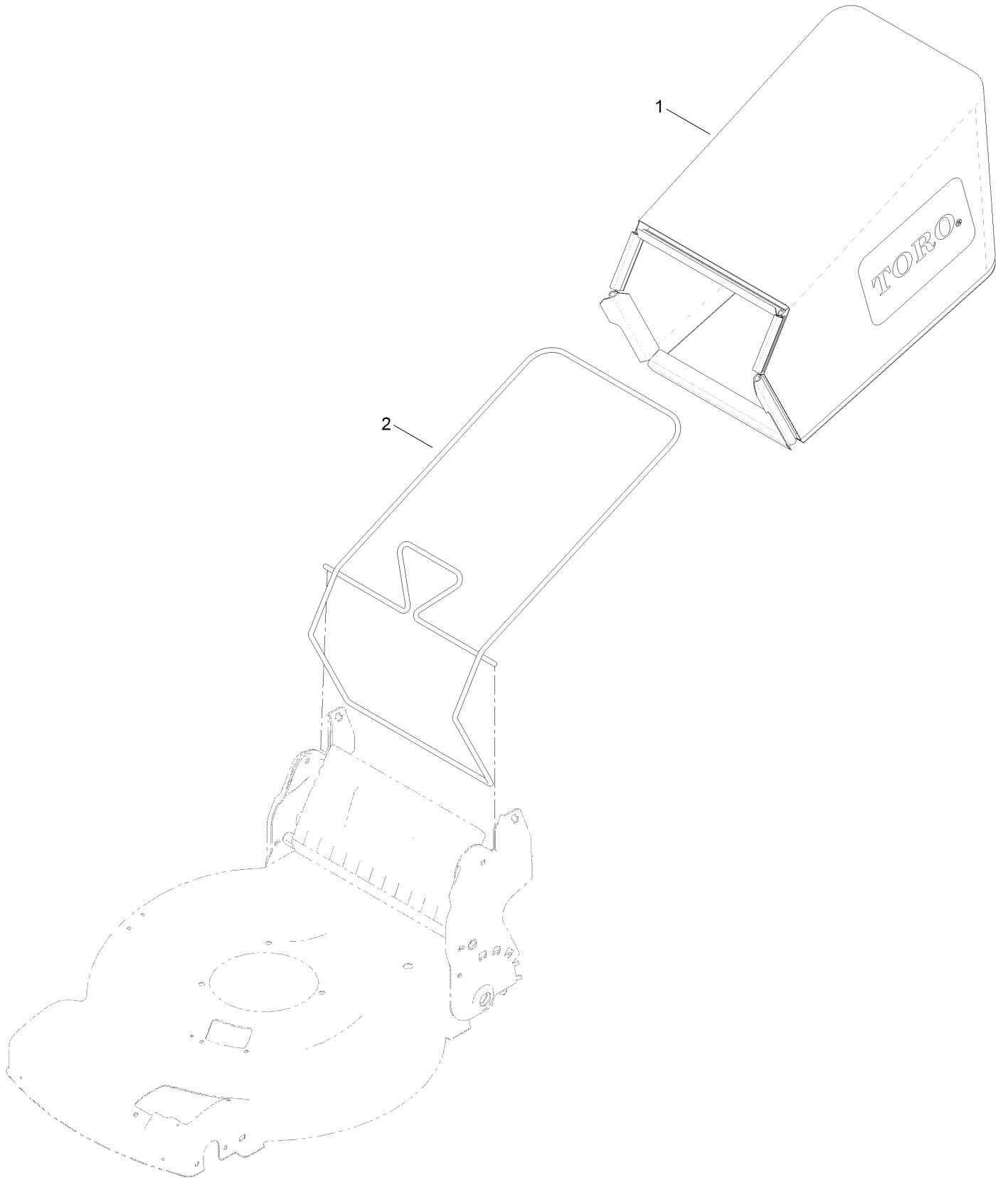
# Housing Assembly



## Housing Assembly (continued)

<i>Ref.</i>	<i>Part Number</i>	<i>Qty.</i>	<i>Description</i>	<i>Ref.</i>	<i>Part Number</i>	<i>Qty.</i>	<i>Description</i>
1	136-7053	1	Housing ASM	21	99-8445	2	Screw-HWH
1:2	112-8760	1	Decal-Danger	22	99-5291	1	Rod-Cover
1:3	137-9196	1	Decal-Quick Wash	23	99-5293	1	Spring-Torsion
2	120-5218	1	Baffle-Rear	24	138-5316	1	Deflector-Discharge, Side
3	115-4667-01	1	Baffle-Front	25	115-8447	1	Chute-Discharge, Side
4	136-7003	1	Rear Deflector ASM	26	117-1092	2	Screw-PTH
4:2	131-4514	1	Decal-Warning	27	117-5924	1	Foam-Seal
5	117-5991	2	Washer-Stepped, Baffle	28	112-6437	1	Adapter-Connect, Quick
6	115-8420	1	Shield-Trailing	29	115-4672	1	Kicker-Front
7	114-7924	1	Spring-Torsion	30	139-1703	1	Screw-Plastic, PPH
8	115-2859	1	Spring-Torsion	32	114-7987	1	Bumper
10	112-6401	1	Coupling-Hose, Washout Port	33	105-6849	2	Screw-Forming, Thread
11	112-6400	1	Port-Washout	34	130-6660	2	Cap-Plug
12	112-6438	1	Washer-Seal, Washout Port	36	138-3293	1	Bracket-Lockout
13	3254-5	1	Washer-Lock	37	107-7463	1	Spacer
14	3218-6	1	Nut-Jam	38	107-7462	1	Spring-Torsion
15	131-9679	1	Decal-Deck	39	138-3292	1	Lever-Lockout
17	3296-29	2	Nut-Lock, NI	40	106-9169	1	Screw-HWH
				41	139-1712	1	Nut-Hex Flange

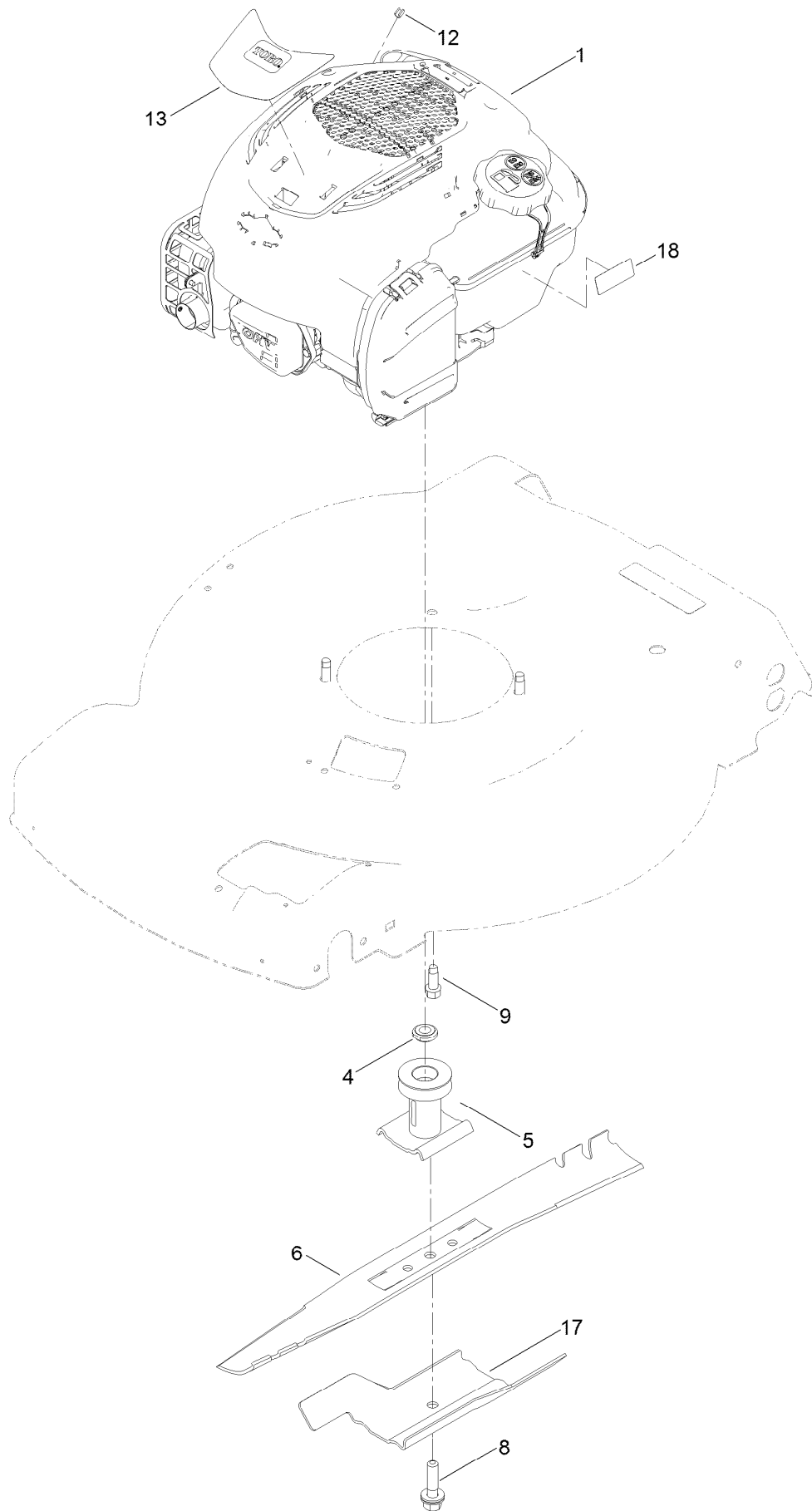
# Rear Bag Assembly



## Rear Bag Assembly (continued)

<i>Ref.</i>	<i>Part Number</i>	<i>Qty.</i>	<i>Description</i>
1	115-4664	1	Grass Bag ASM
2	132-4483-03	1	Frame-Bag

# Engine and Blade Assembly





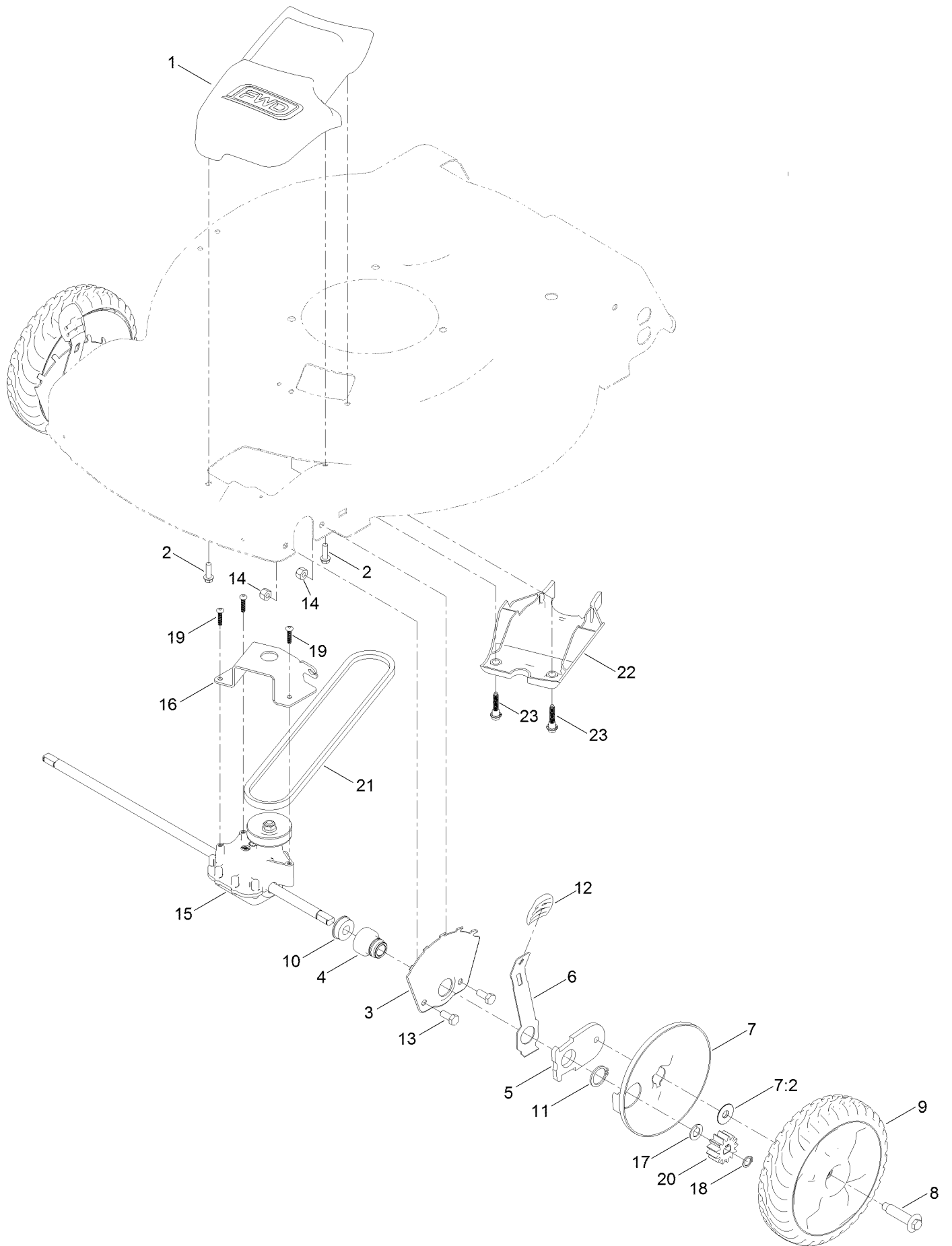
## Engine and Blade Assembly (continued)

<i>Ref.</i>	<i>Part Number</i>	<i>Qty.</i>	<i>Description</i>	<i>Ref.</i>	<i>Part Number</i>	<i>Qty.</i>	<i>Description</i>
1		1	Engine-Briggs,104M020130F1 ●■	9	95-1726	3	Screw-Taptite
4	106-3999	1	Spacer-Driver	12	2210-316	1	Stop-Rope
5	106-3987	1	Driver-Blade	13	133-8176	1	Decal-Shroud
6	131-9683-03	1	Blade	17	105-6848-03	1	Accelerator-Blade
8	125-2466	1	Bolt-Blade	18	133-8198	1	Decal-Level, Fuel

● Not serviced separately

■ Obtain parts from [www.briggsandstratton.com](http://www.briggsandstratton.com)

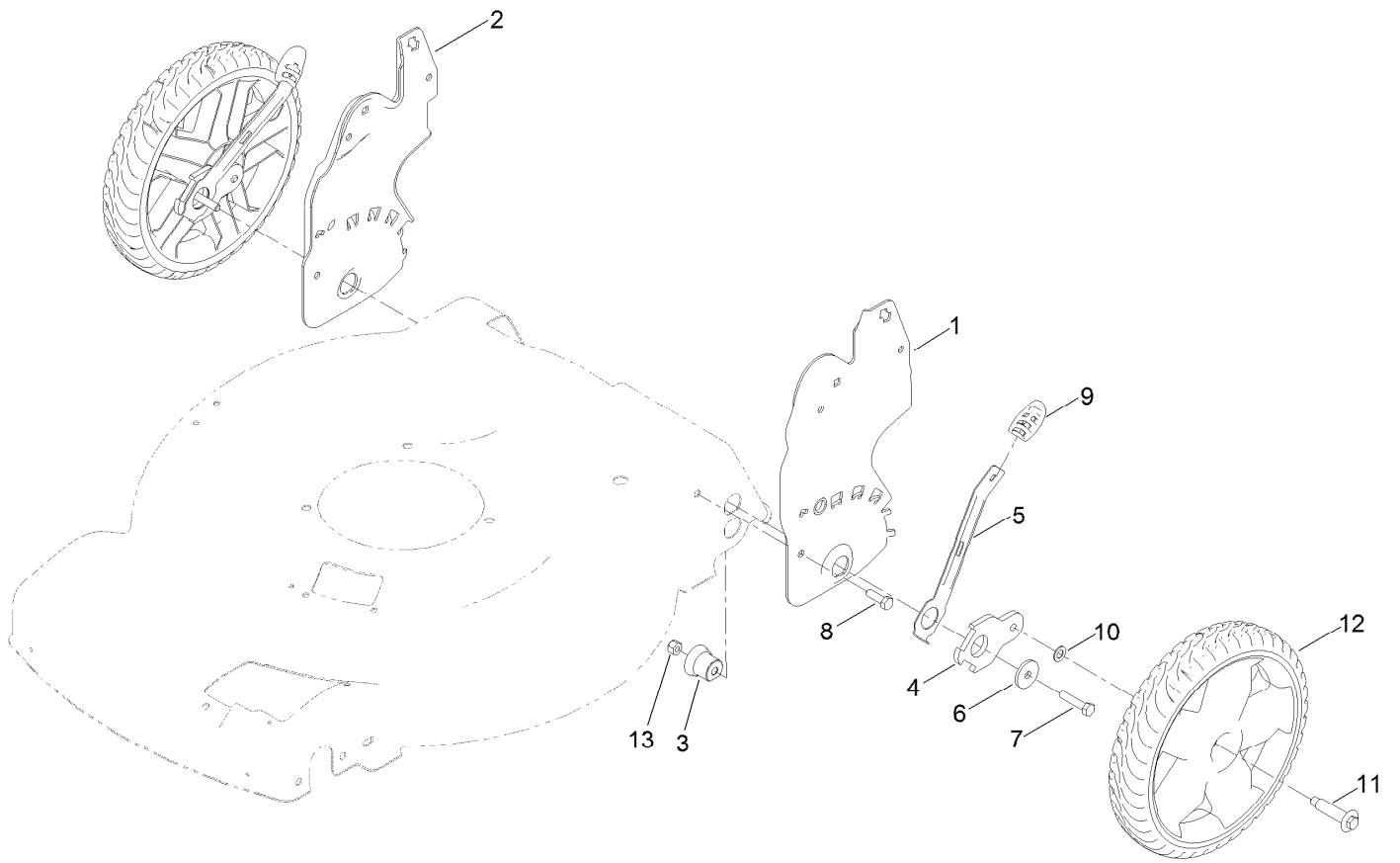
# Front Wheel and Height-of-Cut Assembly



## Front Wheel and Height-of-Cut Assembly (continued)

<i>Ref.</i>	<i>Part Number</i>	<i>Qty.</i>	<i>Description</i>	<i>Ref.</i>	<i>Part Number</i>	<i>Qty.</i>	<i>Description</i>
1	136-5907	1	Cover-Belt	12	105-3042	2	Knob-Lever, HOC
2	46-8091	2	Screw-HWH	13	322-3	4	Screw-HH
3	115-1956-03	2	Plate-HOC, Front	14	3296-29	4	Nut-Lock, NI
4	131-0836	2	Retainer-Bearing, HOC	15	137-4822	1	Transmission
5	137-9128	2	Arm-Pivot, Front	16	114-7978-03	1	Bracket-Transmission
6	105-1809	2	Arm-Spring	17	110-7191	2	Washer-Thrust
7	127-6840	2	Wheel Cover ASM	18	32151-61	2	Ring-Retaining
7:2	614426	1	Washer-Stepped	19	108-7476	3	Screw-Plastite
8	614650	2	Bolt-Shoulder	20	131-0896	2	Gear-Pinion, 13T
9	137-4832	2	8 In Wheel ASM	21	117-1018	1	V-Belt
10	104-8699	2	Bearing-Ball	22	136-5851	1	Cover-Belt, Front (Lower)
11	32151-36	2	Ring-Retaining	23	131-0837	2	Screw-Shoulder, HHF

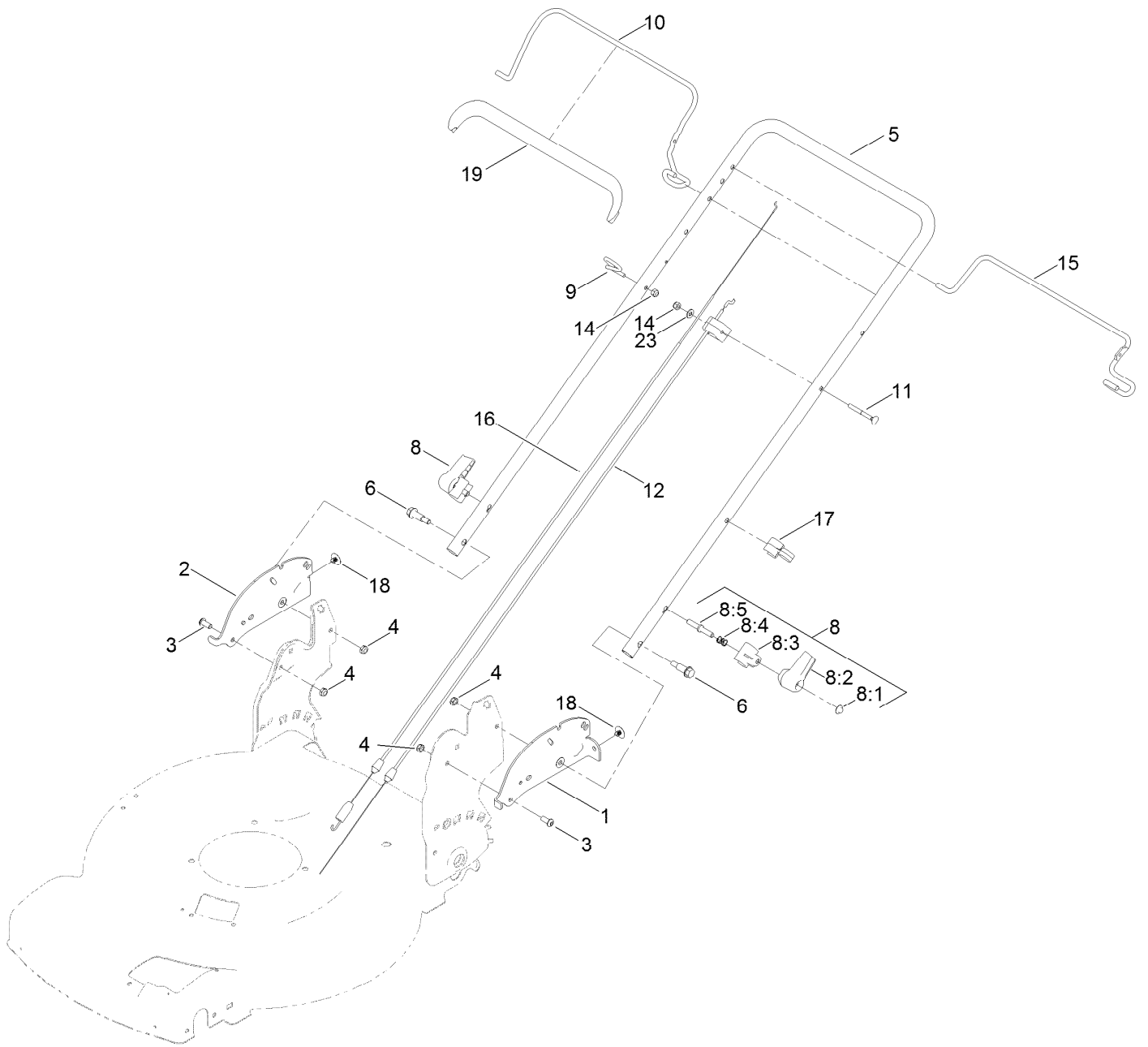
# Rear Wheel and Height-of-Cut Assembly



## Rear Wheel and Height-of-Cut Assembly (continued)

<i>Ref.</i>	<i>Part Number</i>	<i>Qty.</i>	<i>Description</i>	<i>Ref.</i>	<i>Part Number</i>	<i>Qty.</i>	<i>Description</i>
1	132-4490-03	1	Plate-HOC, LH	8	322-5	2	Screw-HH
2	132-4491-03	1	Plate-HOC, RH	9	105-3042	2	Knob-Lever, HOC
3	131-0895	2	Bushing-Mount, HOC	10	40-1940	2	Washer
4	137-9129	2	Arm-Pivot, Rear	11	614650	2	Bolt-Shoulder
5	115-2899	2	Arm-Spring, Rear	12	137-4837	2	11In Wheel ASM
6	105-3048	2	Washer-Flat	13	3296-29	2	Nut-Lock, NI
7	322-7	2	Screw-HH				

# Handle Assembly



## Handle Assembly (continued)

<i>Ref.</i>	<i>Part Number</i>	<i>Qty.</i>	<i>Description</i>	<i>Ref.</i>	<i>Part Number</i>	<i>Qty.</i>	<i>Description</i>
1	132-4492-03	1	Plate-Handle, LH	9	86-9671	1	Guide-Rope
2	132-4493-03	1	Plate-Handle, RH	10	138-3269-03	1	Bail-Brake
3	3274-55	2	Screw-HSBH	11	92-2270	1	Screw-Handle
4	3296-47	4	Nut-Lock, NI	12	133-8109	1	Cable-Brake, HP
5	131-4569-05	1	Handle	14	3296-73	2	Nut-Lock, NI
6	130-2344	2	Bolt-Shoulder	15	131-0835-03	1	Bail-Traction
8	115-2860	4	Quick Release ASM	16	119-2379	1	Cable-Traction
8:1	32112-11	1	Nut-Push	17	114-7988	1	Guide-Cable
8:2	138-3248	1	Lever-Release	18	130-6721	2	Clip-Tree
8:3	138-3253	1	Anchor-Spring	19	127-6847	1	Cover-Bail
8:4	115-2858	1	Spring-Compression	23	3256-1	1	Washer-Flat
8:5	138-3243	1	Rod-Release				

# Attachments and Accessories

## For 20959 55cm Recycler SmartStow Lawn Mower

<b>Product Name</b>	<b>Model/Part</b>
All Season Synthetic Oil (10W30, QT) .....	117-0066
Fuel Stabilizer .05 oz .....	130-2393
4-Cycle Fuel, Snow And Lawn 32oz Can .....	131-3823
Toro Premium Fuel Treatment 12 Oz Bottle .....	131-6572
Belt Cover Kit.....	136-9125
Toro 4-Cycle SAE 30 Oil (32oz Bottle) .....	38903
Summer Oil-Case of 24 (20oz Bottles).....	38916
Bag-Walk Behind (Toro).....	490-7318
Replacement Bag .....	59305
Replacement Bag and Frame Kit.....	59307



**Notes:**

**Notes:**

**Notes:**



**Count on it.**