



Super Recycler[®]

Mower

Model No. 20044 – 9900001 & Up

Parts Catalog

ORDERING REPLACEMENT PARTS

To order replacement parts, please supply: the part number, the quantity, and the description of each part desired.

Contents

Description	Page	Description	Page
Housing, Handle Bracket & Wheel Assembly . . .	1	Carburetor Assembly	10
Gear Case Assembly	2	Piston & Crankshaft Assembly	11
Engine & Blade Assembly	3	Air Filter & Muffler Assembly	12
Cylinder & Crankcase Assembly	4	Cover & Cooling Assembly	13
Valve & Camshaft Assembly	5	Dipstick & Oil Filter Assembly	14
Control Linkage Assembly	6	Recoil Starter Assembly	15
Brake Band Assembly	7	Gear Case & Wheel Assembly	16
Fuel Tank & Valve Assembly	8	Handle & Controls Assembly	17
Flywheel & Ignition Assembly	9		

Note:

Accessories

Description	Model / Parts No.	Description	Model / Parts No.
Recycler Side Discharge Kit	Model No. 59197	Recycler Bagging Kit	Model No. 59194
Dethatcher Kit	Model No. 59131	Recycler Plug Kit	Model No. 59135

Part Description Abbreviations

Part descriptions in this catalog may include the following abbreviations.

Abbreviation	Meaning	Abbreviation	Meaning
AR	as required	HWHTF	hex washer head thread forming
ASM	assembly	INC	incorporated
CARR	carriage	LH	left hand
DEG	degrees	PH	pan head
FH	flat head	PPH	Phillips pan head
GA	gauge	PTO	power take off
HF	hex flange	RH	right hand
HFW	hex flange washer	SFH	slotted fillister head
HH	hex head	SH	square head
HHF	hex head flange	SHWH	slotted hex washer head
HHST	hex head self tapping	SPH	slotted pan head
HJ	hex jam	STD	standard
HOC	height-of-cut	TAP	self tapping
HS	hex socket	TH	truss head
HSBH	hex socket button head	TTH	Torx truss head
HSFH	hex socket flat head	WH	wing head
HSH	hex socket head		
HWH	hex washer head		

Important Format Explanations

This catalog uses special formats to convey information in illustrations and parts lists. Specifically, one format is used in conjunction with service assemblies and another with quantities associated with reference numbers.

Service Assemblies

Parts within service assemblies have reference numbers in the form $X:Y$. X is the reference number of the service assembly and Y is a sequential number unique to each part within the service assembly.

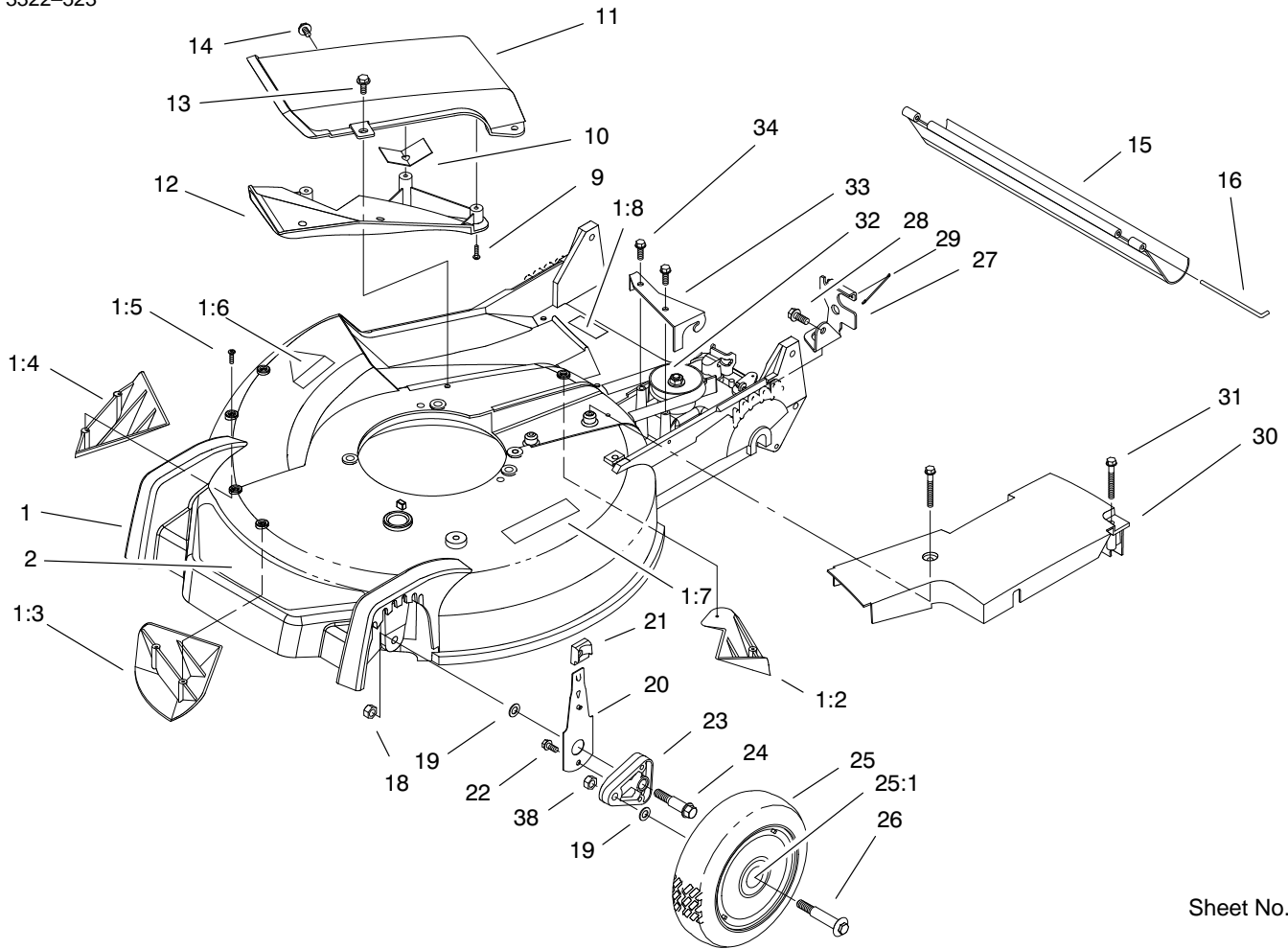
For example, a wheel assembly might be identified by reference number 6, the tire by 6:1, the valve by 6:2, and the wheel by 6:3. When you order the assembly identified by reference number 6, you receive all parts identified by reference numbers 6:1, 6:2, and 6:3. However, you may also order any part individually.

Reference numbers of this type appear in part lists and as callouts in illustrations.

Reference Numbers with Quantities

Illustrations may have a quantity in parentheses next to a reference number, in the form $X (Y)$. X is the reference number. Y in parentheses is the quantity of the part identified by the reference number.

For example, the illustration callout 4 (2) indicates that two parts are used in that instance.

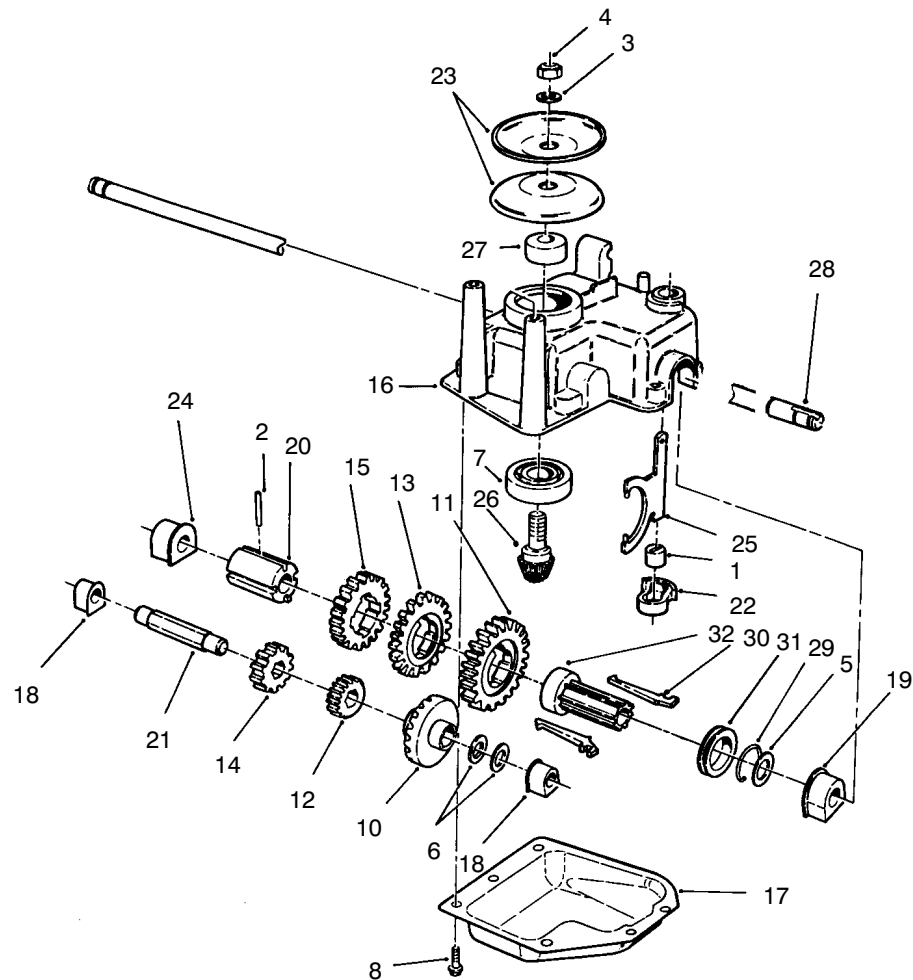


Sheet No.:2

Housing, Handle Bracket & Wheel Assembly

Ref. No.	Part No.	Qty.	Description
1	100-2887	1	Housing-21"rwd
1:2	92-1750	1	Kicker - Rear, Sp
1:3	92-1720	1	Kicker - Front
1:4	92-1730	1	Kicker-RH
1:5	32144-111	11	Screw-PPH
1:6	43-8480	1	Decal-Danger
1:7	93-0248	1	Decal - Warning
1:8	99-6018	1	Decal - Warning
2	99-6347	1	Decal - Deck
10	83-4750	1	Cover Guard
11	100-1183	1	Cover-Black
12	82-8620	1	Deflector
13	46-6811	3	Screw & Washer ASM
14	46-6810	1	Screw & Washer ASM
15	44-0580	1	Shield - Trailing
16	33-3208	1	Rod-Shield
18	3296-6	2	Nut-Lock Ni
19	40-1940	4	Washer-Wheel Bolt
20	66-0541	2	Front Spring Arm ASM
21	25-7740	2	Knob-Arm
22	32144-85	2	Screw-HH
23	66-0580	2	Arm-Pivot, Front
24	66-0560	2	Screw-Shoulder
25	14-9989	2	Wheel/Tire/ASM (Serial No. 9900103 & Up)

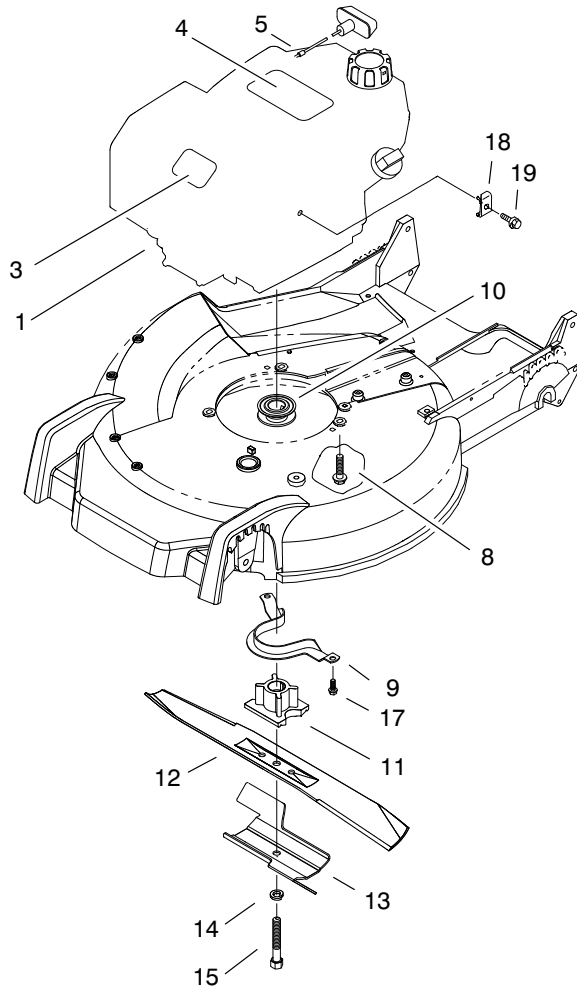
Ref. No.	Part No.	Qty.	Description
25	98-7130	2	Wheel ASM (Serial No. 9900001-9900102)
25:1	27-6250	2	Bushing
26	27-6232	2	Bolt-Wheel (Serial No. 9900103 & Up)
26	92-1057	2	Bolt-Wheel (Serial No. 9900001-9900102)
27	82-5680-03	1	Bracket-Traction Adj.
28	32144-70	1	Screw-HH
29	46-7030	1	Retainer-Cable
30	100-1182	1	Assy-Belt Cover
31	37-7260	1	Screw-HH
32	62-6673	1	Gearcase Assembly
33	62-4320-03	1	Bracket-Belt Guide
34	49-2040	1	Screw-Taptite
38	3296-6	2	Nut-Lock Ni (Serial No. 9900103 & Up)
38	603773	2	Nut-Lock (Serial No. 9900001-9900102)



Sheet No.:A1

Gear Case Assembly

Ref. No.	Part No.	Qty.	Description	Ref. No.	Part No.	Qty.	Description
1	29-9570	1	Bushing-Yoke	27	62-6660	1	Spacer
2	32121-120	1	Pin-Spring	28	65-4770	1	Shaft-Output
3	3256-24	1	Washer-Flat	29	65-5250	1	Clip-Spring
4	3296-5	1	Nut-Lock Ni	30	76-0760	2	Key-Shift
5	36-4780	1	Washer	31	76-0770	1	Collar-Shift
6	36-4791	2	Thrust Washer	32	76-0780	1	Sleeve-Key, Shift
7	38-7820	1	Bearing-Ball				
8	49-2040	6	Screw-Taptite				
10	55-3760	1	Gear-15t Spur, 37t Bevel				
11	55-3770	1	49 T Gear				
12	55-3780	1	20 T Pinion				
13	55-3790	1	44 T Gear				
14	55-3800	1	25 T Pinion				
15	55-3810	1	39 T Gear				
16	60-8710	1	Case-Gear, Upper				
17	60-8730-03	1	Cover-Gear Case				
18	60-8750	2	Bushing				
19	60-8770	1	Bushing- Output				
20	60-8790	1	Sleeve - Gear				
21	60-8800	1	Shaft-Intermediate				
22	60-8810	1	Retainer- Shift Fork				
23	100-1176	2	Pulley Half				
24	60-8850	1	Bushing-Output				
25	60-8870	1	Yoke-Shift				
26	60-8890	1	Gear-Bevel, Pinion				

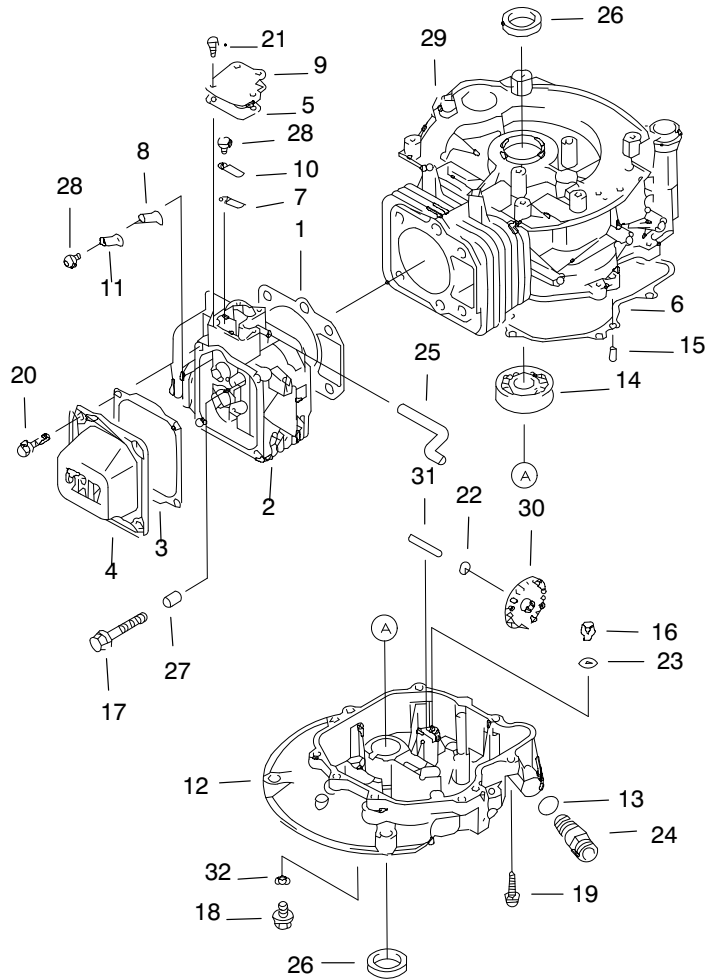


Sheet No.:3

Engine & Blade Assembly

Ref. No.	Part No.	Qty.	Description	Ref. No.	Part No.	Qty.	Description
1		1	Engine – Gts				
3	92-2289	1	Plate – Logo				
4	100-1110	1	Decal – Recoil				
5	2210-316	1	Stop-Rope				
8	100-2835	3	Screw-Engine Mount				
9	66-0570-03	1	Bracket-Belt Guide				
10	100-1103	1	Pulley-Assy				
11	100-1101	1	Retainer – Blade				
12	93-4106	1	Blade-Recycler, Gen. Iii				
13	94-1608-03	1	Accelerator-Blade				
14	3253-22	1	Washer-Lock/Sp				
15	26-0670	1	Screw-Blade				
17	32144-70	2	Screw-HH				
18	95-9849	1	Clamp				
19	95-9853	1	Bolt				
†	100-2512	1	Tube-Oil Drain				

† Not Illustrated

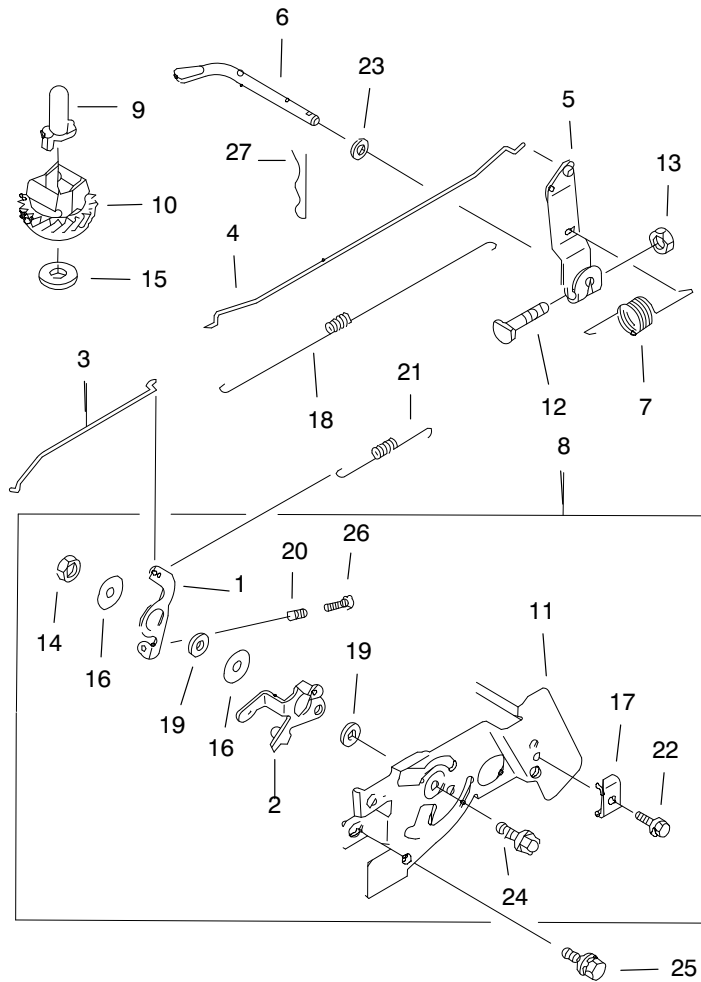


Sheet No.:3A

Cylinder & Crankcase Assembly

Ref. No.	Part No.	Qty.	Description
1	100-2742	1	Gasket-Head
2	100-2743	1	Head-Complete-Cylinder
3	100-2744	1	Gasket Rocker Case
4	100-2834	1	Case Rocker
5	100-2746	1	Gasket Cover
6	100-2747	1	Gasket Crankcase Cover
7	100-2748	1	Plate
8	100-2749	1	Plate
9	100-2779	1	Cover
10	100-2780	1	Valve
11	100-2781	1	Valve
12	100-2833	1	Cover Crankcase
13	100-2840	1	O-Ring
14	100-2841	1	Ball Bearing
15	93-8516	2	Pin
16	100-2842	1	Bolt Upset Wsp
17	Kw10035	4	Bolt, Flanged 8x45
18	Kw10033	1	Bolt, Flanged 8x12
19	100-2610	7	Bolt Flanged
20	100-2804	4	Bolt-Flanged
21	100-2609	4	Bolt Flanged
22	100-2843	1	Washer 6x12x1.6
23	100-2844	1	Washer 5x16x0.8
24	100-2854	1	Plug

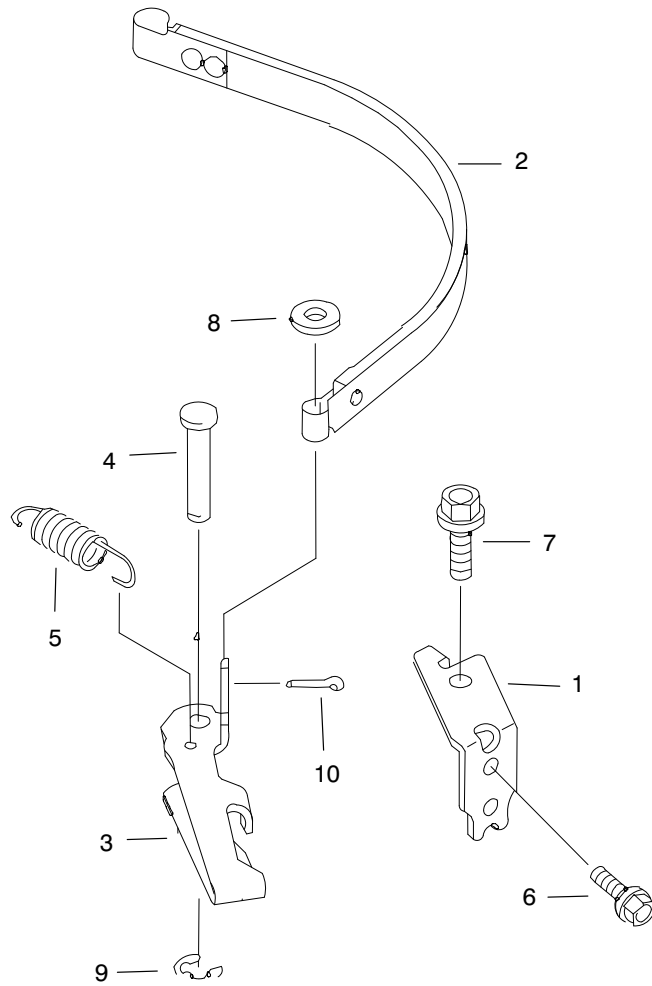
Ref. No.	Part No.	Qty.	Description
25	100-2846	1	Tube
26	100-2847	2	Seal Oil
27	100-2848	2	Pin
28	93-8549	2	Screw
29	100-2849	1	Crankcase Complete
30	99-6728	1	Oil Slinger
31	99-6729	1	Shaft
32	99-6730	1	Gasket



Sheet No.:5A

Control Linkage Assembly

Ref. No.	Part No.	Qty.	Description	Ref. No.	Part No.	Qty.	Description
1	100-2700	1	Lever	26	100-2725	1	Screw-Pan
2	100-2701	1	Lever	27	93-8607	1	Pin-Snap
3	100-2702	1	Link-Choke				
4	100-2703	1	Link				
5	100-2704	1	Arm-ASM				
6	100-2705	1	Arm-Pivot				
7	100-2706	1	Spring-Governor				
8	100-2707	1	Panel-ASM Control				
9	100-2708	1	Sleeve				
10	93-8611	1	Governor ASM				
11	100-2710	1	Panel-Control				
12	93-8606	1	Bolt				
13	93-8631	1	Nut				
14	93-8595	1	Nut				
15	94-6842	1	Washer				
16	100-2715	2	Washer 6x9x1.2				
17	95-9849	1	Clamp				
18	100-2717	1	Spring Link				
19	100-2718	2	Collar 6x13x2.3				
20	93-8588	1	Spring				
21	100-2720	1	Spring				
22	95-9853	1	Bolt				
23	93-8608	1	Washer				
24	95-9837	1	Bolt - Flanged				
25	100-2724	2	Bolt-Upset-Wsp				

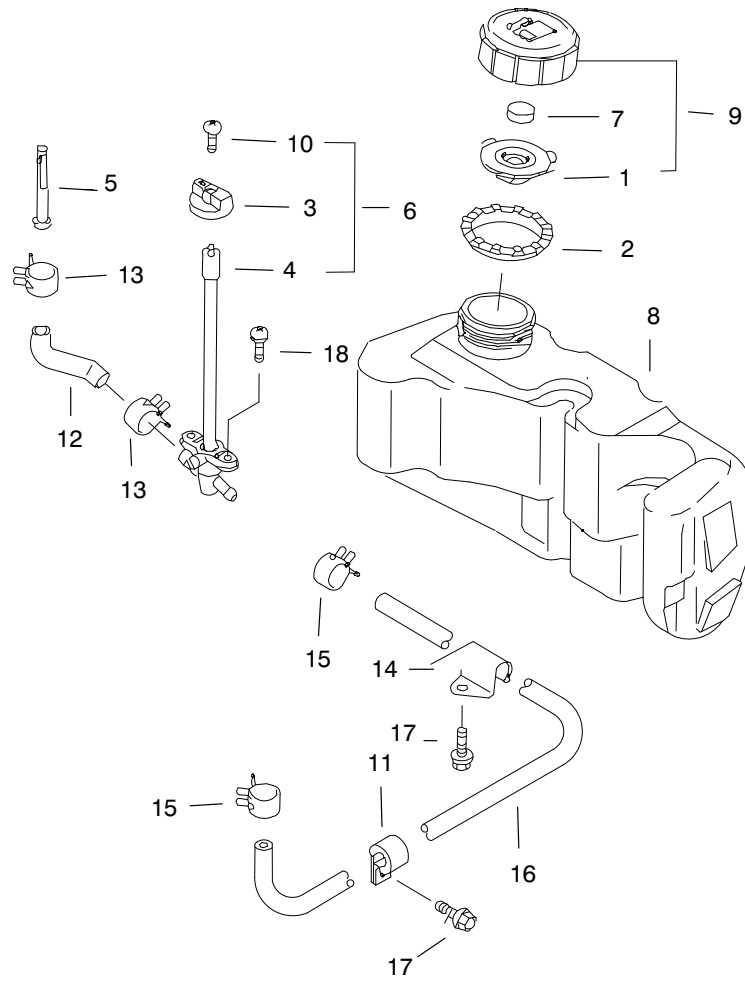


Sheet No.:6A

Brake Band Assembly

Ref. No.	Part No.	Qty.	Description
1	100-2783	1	Bracket
2	100-2784	1	Band-Brake
3	100-2785	1	Lever-Brake
4	100-2786	1	Pin
5	100-2787	1	Spring
6	100-2609	1	Bolt Flanged
7	Kw10029	1	Bolt, Flanged 6x10
8	100-2671	1	Washer Plain S
9	100-2791	1	Circlip-Type-E
10	100-2792	2	Pin Cotter

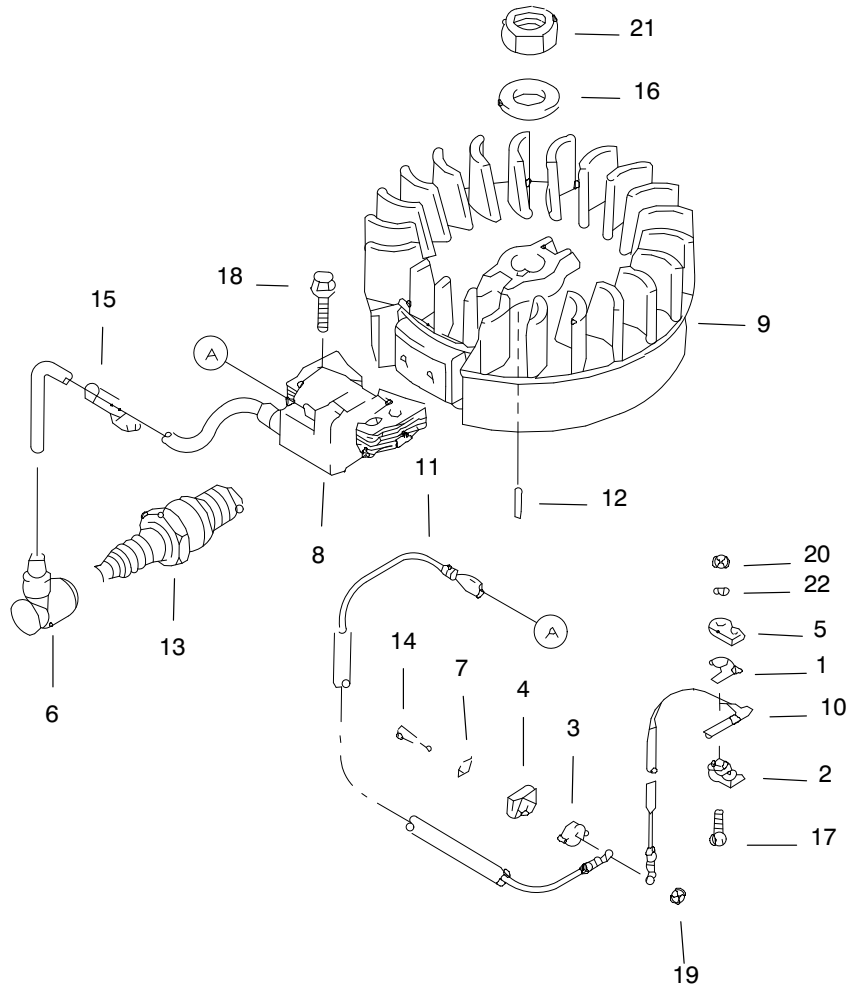
Ref. No.	Part No.	Qty.	Description



Sheet No.:7A

Fuel Tank & Valve Assembly

Ref. No.	Part No.	Qty.	Description	Ref. No.	Part No.	Qty.	Description
1	100-2808	1	Gasket				
2	100-2809	1	Guide				
3	100-2810	1	Lever				
4	100-2811	1	Filter Complete				
5	100-2812	1	Filter Fuel				
6	100-2814	1	Valve - Fuel				
7	100-2813	1	Element-Breather				
8	100-2815	1	Tank Complete Fuel				
9	100-2816	1	Cap-ASM-Tank				
10	100-2817	1	Screw				
11	100-2818	1	Clamp				
12	100-2819	1	Tube				
13	100-2820	2	Clamp				
14	100-2821	1	Clamp				
15	100-2822	2	Clamp				
16	100-2823	1	Tube 4.8x10.3x433				
17	100-2804	2	Bolt-Flanged				
18	100-2825	2	Screw-Pan-Wp				

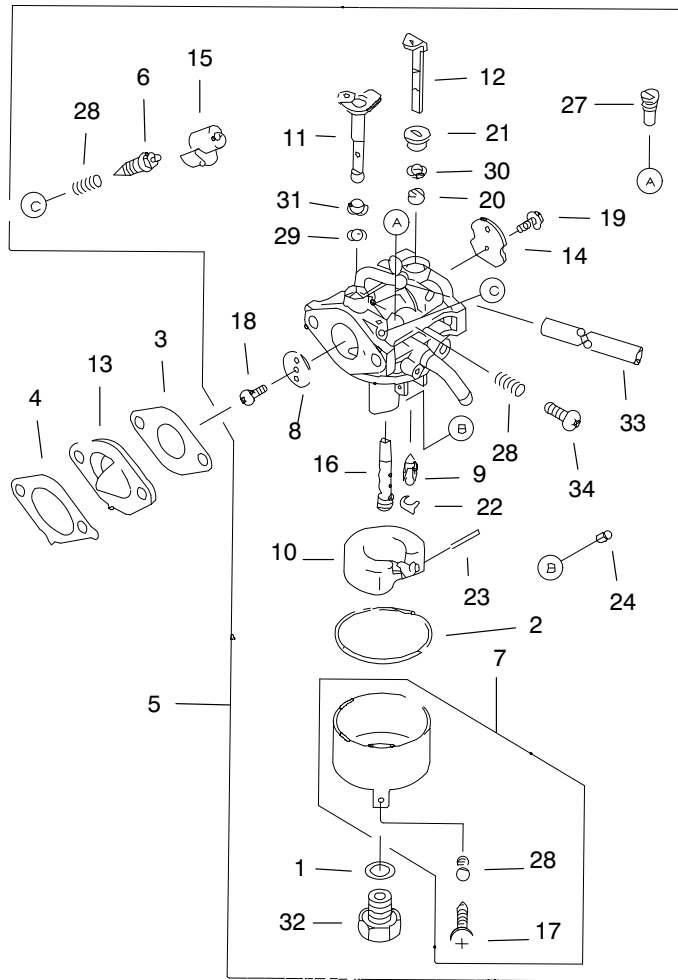


Sheet No.:8A

Flywheel & Ignition Assembly

Ref. No.	Part No.	Qty.	Description
1	100-2650	1	Plate
2	100-2651	1	Cover
3	100-2652	1	Cover
4	100-2653	1	Insulator
5	100-2654	1	Insulator
6	Kw10087	1	Cap Plug
7	100-2656	1	Terminal
8	100-2657	1	Coil ASM Ignition
9	100-2658	1	Flywheel Complete
10	100-2659	1	Wire Lead
11	100-2660	1	Wire Lead L=300mm
12	93-8571	1	Key
13	Kw10676	1	Plug-Spark
14	100-2663	1	Bolt 4x20
15	100-2664	1	Clamp
16	100-2665	1	Washer
17	100-2666	1	Bolt Upset
18	100-2610	2	Bolt Flanged
19	100-2668	1	Nut Hex
20	100-2669	1	Nut Hex
21	93-8568	1	Nut
22	100-2671	1	Washer Plain S

Ref. No.	Part No.	Qty.	Description

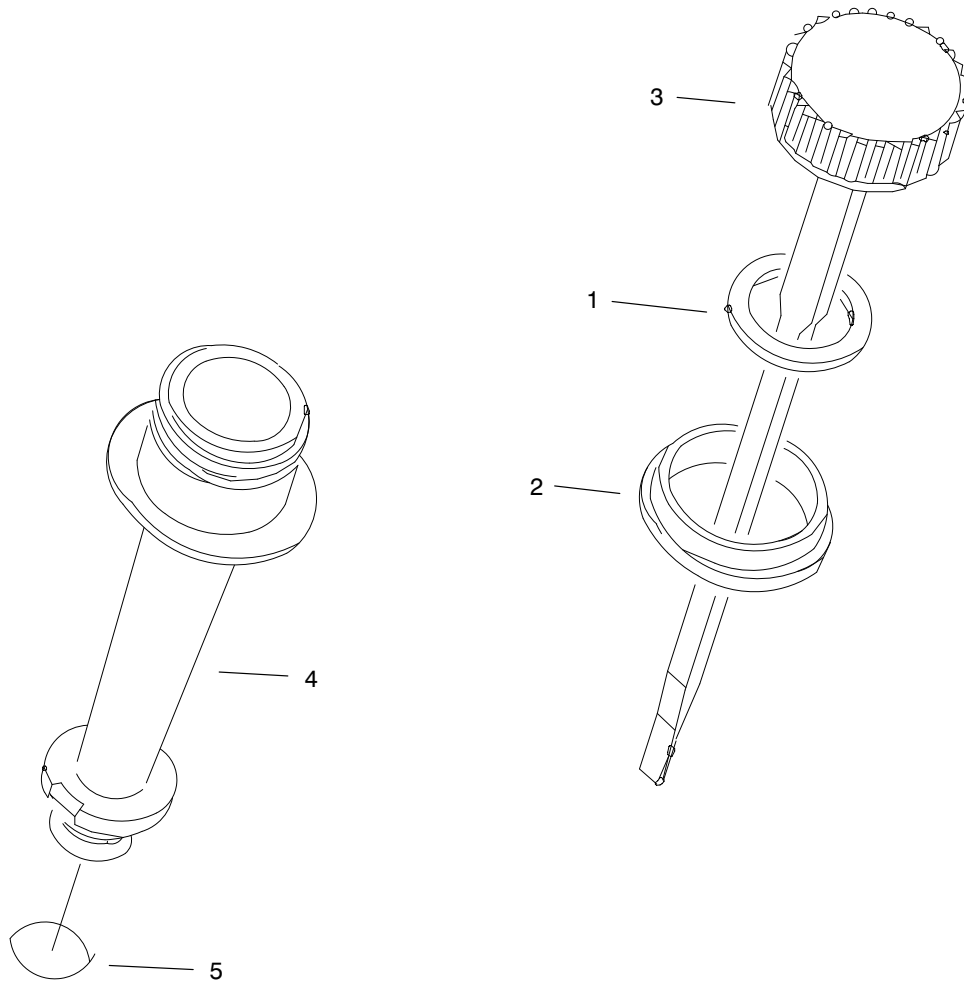


Sheet No.:9A

Carburetor Assembly

Ref. No.	Part No.	Qty.	Description
1	100-2611	1	Gasket
2	100-2612	1	Gasket
3	100-2613	1	Gasket Carburetor
4	100-2614	1	Gasket Insulator
5	100-2615	1	Carburetor ASM
6	100-2616	1	Screw Pilot Air
7	100-2617	1	Chamber Float
8	100-2618	1	Valve Throttle
9	100-2619	1	Valve Float
10	100-2620	1	Float
11	100-2621	1	Shaft Carburetor Throttle
12	100-2622	1	Shaft Carburetor Choke
13	100-2623	1	Insulator
14	100-2624	1	Valve
15	100-2625	1	Limiter
16	100-2626	1	Nozzle Main
17	100-2627	1	Screw
18	100-2628	1	Screw
19	100-2629	2	Screw
20	100-2630	1	Collar
21	100-2631	1	Collar
22	Kw10297	1	Clip
23	100-2633	1	Pin
24	100-2634	1	Jet Main #62.5

Ref. No.	Part No.	Qty.	Description
27	100-2635	1	Jet Pilot #37.5
28	100-2636	3	Spring
29	100-2637	1	Seal
30	100-2638	1	Seal
31	100-2639	1	Collar
32	100-2640	1	Bolt
33	100-2641	1	Tube 4x7x125
34	100-2642	1	Screw Pan

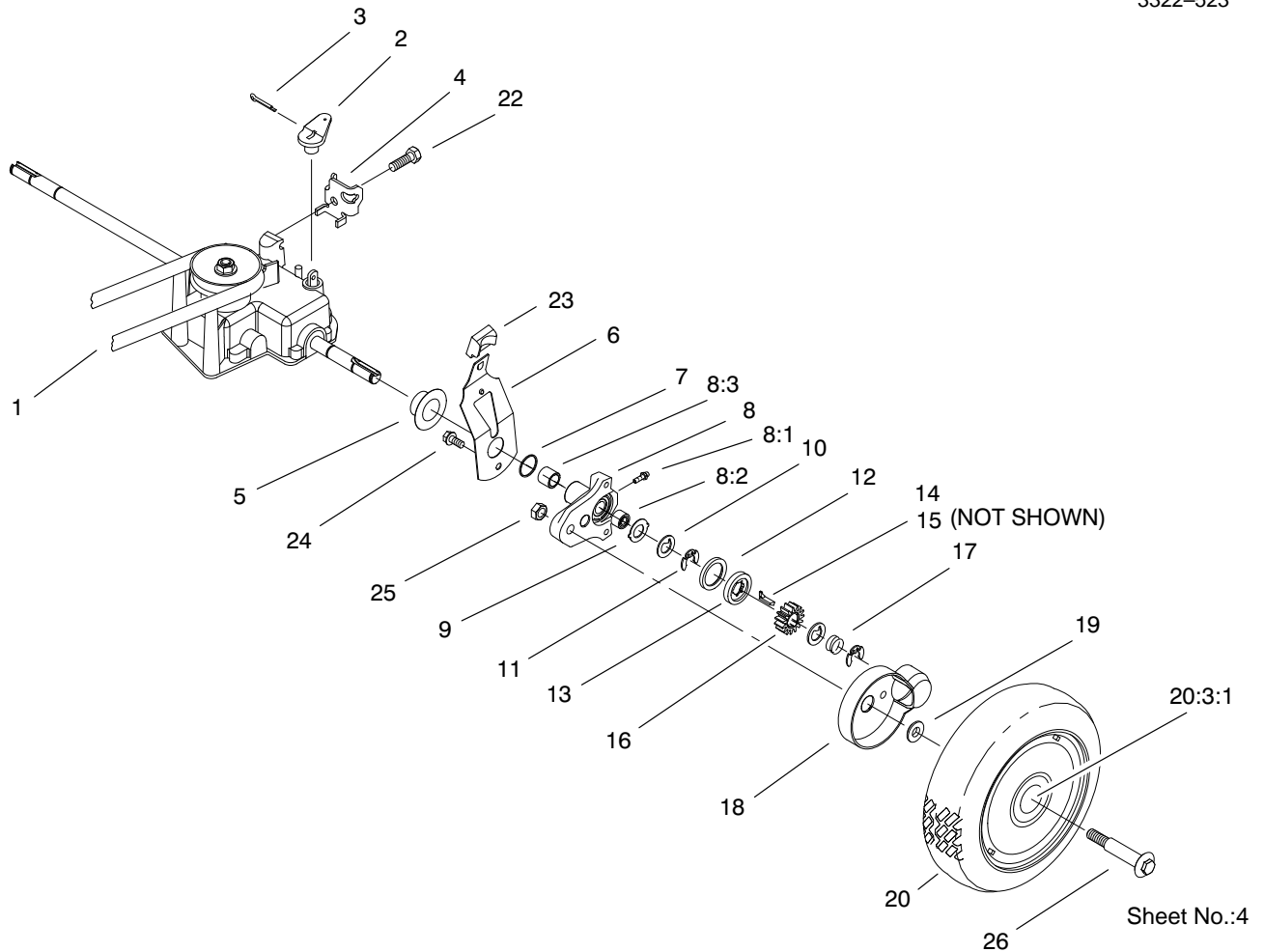


Sheet No.:13A

Dipstick & Oil Filter Assembly

Ref. No.	Part No.	Qty.	Description
1	Kw10010	1	Gasket
2	100-2687	1	Guide
3	100-2688	1	Gauge
4	100-2689	1	Filler
5	100-2690	1	O-Ring

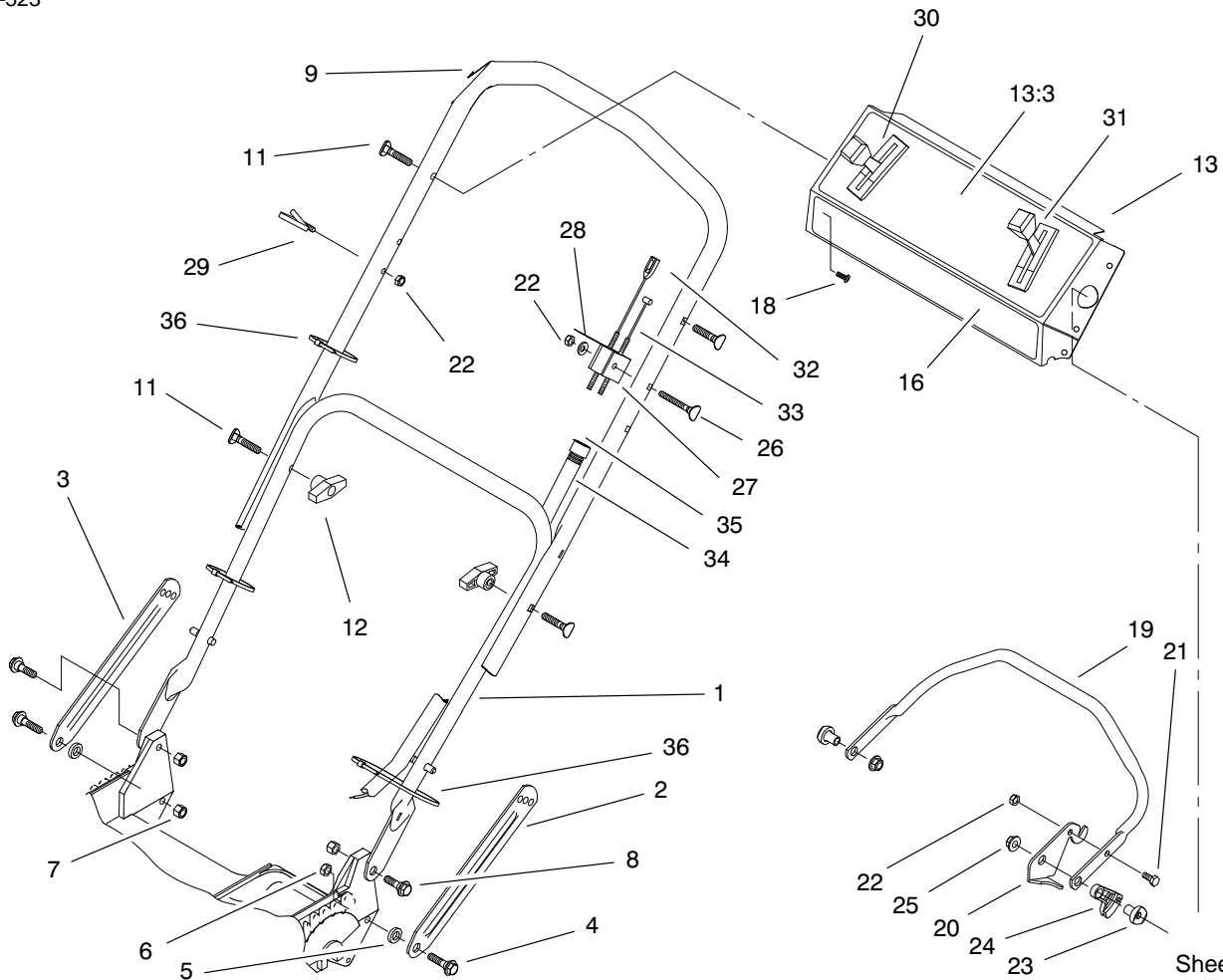
Ref. No.	Part No.	Qty.	Description



Gear Case & Wheel Assembly

Ref. No.	Part No.	Qty.	Description
1	62-3900	1	V - Belt
2	60-8821	1	Lever-Shift
3	3272-10	1	Pin-Cotter
4	82-8780	1	Clamp-Cable
5	42-3520	2	End Cap
6	63-8721	2	Spring Arm ASM
7	237-153	2	O-Ring
8	63-8701	2	Pivot Arm Assembly
8:1	302-56	1	Fitting-Zerk
8:2	48-2060	1	Bearing-Roller
8:3	70-9760	1	Bushing
9	65-4730	2	Washer-Pivot Arm
10	65-4740	4	Washer-Keyed Thrust
11	65-2720	4	Klip Ring-Special
12	65-4710	2	Ring-Friction
13	65-4760	2	Washer
14	66-6050	1	Key-Rocking LH
15	66-6040	1	Key-Rocking
16	65-4750	2	Pinion-Gear, 15t
17	65-4720	2	Spring-Compression
18	74-1660	2	Cover-Wheel
19	74-1671	2	Spacer-Cover, Wheel
20	16-0029	2	Fwd Whl, Tire/Gear ASM (Serial No. 9900103 & Up)

Ref. No.	Part No.	Qty.	Description
20	98-7135	2	Wheel ASM (Serial No. 9900001-9900102)
20:3		1	Wheel/Tire/ASM
20:3:1	27-6250	2	Bushing
22	32144-70	1	Screw-HH
23	25-7740	2	Knob-Arm
24	32144-85	2	Screw-HH
25	3296-6	2	Nut-Lock Ni (Serial No. 9900103 & Up)
25	603773	2	Nut-Lock (Serial No. 9900001-9900102)
26	27-6232	2	Bolt-Wheel (Serial No. 9900103 & Up)
26	92-1507	2	Bolt-Wheel (Serial No. 9900001-9900102)



Sheet No.:5

Handle & Controls Assembly

Ref. No.	Part No.	Qty.	Description
1	82-5531-05	1	Lower Handle ASM
2	84-8361-03	1	Latch-LH Handle
3	84-8401-03	1	Latch-RH Handle
4	27-7210	2	Screw-Shoulder
5	3-3287	2	Spacer-Handle Latch
6	3296-47	1	Nut-Lock Ni
7	3296-72	3	Nut-Lock Ni
8	27-7211	2	Shoulder Screw
9	92-2277-05	1	Upper Handle
11	92-2260	4	Screw-Handle
12	98-7134	4	Knob-Handle
13	16-9479	1	Panel-Control
13:3	93-7166	1	Decal - Instruction
16	100-1111	1	Decal-Console
18	92-9665	5	Screw-Pth
19	52-7430-03	1	Bar-Control
20	66-5351-03	1	Lever-Control
21	321-39	1	Screw-HH
22	3296-73	3	Nut-Lock Ni
23	49-1630	2	Spacer-Support
24	46-5520	1	Lever-Traction
25	3296-74	2	Nut-Lock Ni
26	92-2269	1	Screw-Handle
27	46-6980	1	Support-Cable
28	3256-1	1	Washer-Flat
29	86-9671	1	Guide-Rope

Ref. No.	Part No.	Qty.	Description
30	76-2712	1	Control-Speed, Ground
31	100-1108	1	Control - Throttle
32	100-1107	1	Cable-Brake
33	46-5481	1	Cable-Traction
34	46-6440	1	Control Cable Cover
35	2412-50	3	Ring Fitting
36	3290-378	3	Tie-cable

Toro Part Number Index

Part No.	Page No.	Ref. No.	Qty.	Description
603773	1	38	2	Nut-Lock (Serial No. 9900001-9900102)
603773	16	25	2	Nut-Lock (Serial No. 9900001-9900102)
3-3287	17	5	2	Spacer-Handle Latch
Kw10010	14	1	1	Gasket
Kw10029	7	7	1	Bolt, Flanged 6x10
Kw10033	4	18	1	Bolt, Flanged 8x12
Kw10035	4	17	4	Bolt, Flanged 8x45
Kw10087	9	6	1	Cap Plug
Kw10297	10	22	1	Clip
Kw10676	9	13	1	Plug-Spark
14-9989	1	25	2	Wheel/Tire/ASM (Serial No. 9900103 & Up)
16-0029	16	20	2	Fwd Whl, Tire/Gear ASM (Serial No. 9900103 & Up)
16-9479	17	13	1	Panel-Control
25-7740	1	21	2	Knob-Arm
25-7740	16	23	2	Knob-Arm
26-0670	3	15	1	Screw-Blade
27-6232	1	26	2	Bolt-Wheel (Serial No. 9900103 & Up)
27-6232	16	26	2	Bolt-Wheel (Serial No. 9900103 & Up)
27-6250	1	25:1	2	Bushing
27-6250	16	20:3:1	2	Bushing
27-7210	17	4	2	Screw-Shoulder
27-7211	17	8	2	Shoulder Screw
29-9570	2	1	1	Bushing-Yoke
33-3208	1	16	1	Rod-Shield
36-4780	2	5	1	Washer
36-4791	2	6	2	Thrust Washer
37-7260	1	31	1	Screw-HH
38-7820	2	7	1	Bearing-Ball
40-1940	1	19	4	Washer-Wheel Bolt
42-3520	16	5	2	End Cap
43-8480	1	1:6	1	Decal-Danger
44-0580	1	15	1	Shield - Trailing
46-5481	17	33	1	Cable-Traction
46-5520	17	24	1	Lever-Traction
46-6440	17	34	1	Control Cable Cover
46-6810	1	14	1	Screw & Washer ASM
46-6811	1	13	3	Screw & Washer ASM
46-6980	17	27	1	Support-Cable
46-7030	1	29	1	Retainer-Cable
48-2060	16	8:2	1	Bearing-Roller
49-1630	17	23	2	Spacer-Support
49-2040	1	34	1	Screw-Taptite
49-2040	2	8	6	Screw-Taptite
52-7430-03	17	19	1	Bar-Control
55-3760	2	10	1	Gear-15t Spur, 37t Bevel
55-3770	2	11	1	49 T Gear
55-3780	2	12	1	20 T Pinion
55-3790	2	13	1	44 T Gear
55-3800	2	14	1	25 T Pinion
55-3810	2	15	1	39 T Gear
60-8710	2	16	1	Case-Gear, Upper
60-8730-03	2	17	1	Cover-Gear Case
60-8750	2	18	2	Bushing
60-8770	2	19	1	Bushing- Output
60-8790	2	20	1	Sleeve - Gear
60-8800	2	21	1	Shaft-Intermediate
60-8810	2	22	1	Retainer- Shift Fork
60-8821	16	2	1	Lever-Shift
60-8850	2	24	1	Bushing-Output
60-8870	2	25	1	Yoke-Shift
60-8890	2	26	1	Gear-Bevel, Pinion
62-3900	16	1	1	V - Belt
62-4320-03	1	33	1	Bracket-Belt Guide

*Not Illustrated

Toro Part Number Index (cont.)

Part No.	Page No.	Ref. No.	Qty.	Description
62-6660	2	27	1	Spacer
62-6673	1	32	1	Gearcase Assembly
63-8701	16	8	2	Pivot Arm Assembly
63-8721	16	6	2	Spring Arm ASM
65-2720	16	11	4	Klip Ring-Special
65-4710	16	12	2	Ring-Friction
65-4720	16	17	2	Spring-Compression
65-4730	16	9	2	Washer-Pivot Arm
65-4740	16	10	4	Washer-Keyed Thrust
65-4750	16	16	2	Pinion-Gear, 15t
65-4760	16	13	2	Washer
65-4770	2	28	1	Shaft-Output
65-5250	2	29	1	Clip-Spring
66-0541	1	20	2	Front Spring Arm ASM
66-0560	1	24	2	Screw-Shoulder
66-0570-03	3	9	1	Bracket-Belt Guide
66-0580	1	23	2	Arm-Pivot, Front
66-5351-03	17	20	1	Lever-Control
66-6040	16	15	1	Key-Rocking
66-6050	16	14	1	Key-Rocking LH
70-9760	16	8:3	1	Bushing
74-1660	16	18	2	Cover-Wheel
74-1671	16	19	2	Spacer-Cover, Wheel
76-0760	2	30	2	Key-Shift
76-0770	2	31	1	Collar-Shift
76-0780	2	32	1	Sleeve-Key, Shift
76-2712	17	30	1	Control-Speed, Ground
82-5531-05	17	1	1	Lower Handle ASM
82-5680-03	1	27	1	Bracket-Traction Adj.
82-8620	1	12	1	Deflector
82-8780	16	4	1	Clamp-Cable
83-4750	1	10	1	Cover Guard
84-8361-03	17	2	1	Latch-LH Handle
84-8401-03	17	3	1	Latch-RH Handle
86-9671	17	29	1	Guide-Rope
92-1057	1	26	2	Bolt-Wheel (Serial No. 9900001-9900102)
92-1507	16	26	2	Bolt-Wheel (Serial No. 9900001-9900102)
92-1720	1	1:3	1	Kicker - Front
92-1730	1	1:4	1	Kicker-RH
92-1750	1	1:2	1	Kicker - Rear, Sp
92-2260	17	11	4	Screw-Handle
92-2269	17	26	1	Screw-Handle
92-2277-05	17	9	1	Upper Handle
92-2289	3	3	1	Plate - Logo
92-9665	17	18	5	Screw-Pth
93-0248	1	1:7	1	Decal - Warning
93-4106	3	12	1	Blade-Recycler, Gen. Iii
93-7166	17	13:3	1	Decal - Instruction
93-8516	4	15	2	Pin
93-8526	11	13	1	Key
93-8527	11	14	2	Bolt-Rod
93-8533	5	11	2	Nut
93-8534	5	12	2	Nut
93-8549	4	28	2	Screw
93-8549	12	11	3	Screw
93-8555	15	14	1	Spring-Return
93-8568	9	21	1	Nut
93-8571	9	12	1	Key
93-8588	6	20	1	Spring
93-8595	6	14	1	Nut
93-8606	6	12	1	Bolt
93-8607	6	27	1	Pin-Snap
93-8608	6	23	1	Washer

*Not Illustrated

Toro Part Number Index (cont.)

Part No.	Page No.	Ref. No.	Qty.	Description
93-8611	6	10	1	Governor ASM
93-8631	6	13	1	Nut
93-8631	12	13	2	Nut
93-8639	12	24	2	Washer
94-1608-03	3	13	1	Accelerator-Blade
94-6842	6	15	1	Washer
94-9044	15	1	1	Cap - Grip
95-9716	12	12	2	Screw
95-9837	6	24	1	Bolt - Flanged
95-9849	3	18	1	Clamp
95-9849	6	17	1	Clamp
95-9853	3	19	1	Bolt
95-9853	6	22	1	Bolt
98-7130	1	25	2	Wheel ASM (Serial No. 9900001-9900102)
98-7134	17	12	4	Knob-Handle
98-7135	16	20	2	Wheel ASM (Serial No. 9900001-9900102)
99-6018	1	1:8	1	Decal - Warning
99-6347	1	2	1	Decal - Deck
99-6728	4	30	1	Oil Slinger
99-6729	4	31	1	Shaft
99-6730	4	32	1	Gasket
100-1101	3	11	1	Retainer - Blade
100-1103	3	10	1	Pulley-Assy
100-1107	17	32	1	Cable-Brake
100-1108	17	31	1	Control - Throttle
100-1110	3	4	1	Decal - Recoil
100-1111	17	16	1	Decal-Console
100-1176	2	23	2	Pulley Half
100-1182	1	30	1	Assy-Belt Cover
100-1183	1	11	1	Cover-Black
100-2512	3		1	Tube-Oil Drain
100-2600	13	1	1	Cover Upper
100-2601	13	4	3	Stud
100-2602	13	5	1	Stud
100-2603	13	6	4	Nut
100-2604	13	7	4	Nut 6mm
100-2605	13	9	4	Spacer 6.2x7.8x22
100-2606	13	8	4	Spacer 6.2x7.8x17
100-2607	13	10	1	Grommet
100-2609	4	21	4	Bolt Flanged
100-2609	7	6	1	Bolt Flanged
100-2609	13	12	2	Bolt Flanged
100-2610	4	19	7	Bolt Flanged
100-2610	9	18	2	Bolt Flanged
100-2610	13	13	4	Bolt Flanged
100-2611	10	1	1	Gasket
100-2612	10	2	1	Gasket
100-2613	10	3	1	Gasket Carburetor
100-2614	10	4	1	Gasket Insulator
100-2615	10	5	1	Carburetor ASM
100-2616	10	6	1	Screw Pilot Air
100-2617	10	7	1	Chamber Float
100-2618	10	8	1	Valve Throttle
100-2619	10	9	1	Valve Float
100-2620	10	10	1	Float
100-2621	10	11	1	Shaft Carburetor Throttle
100-2622	10	12	1	Shaft Carburetor Choke
100-2623	10	13	1	Insulator
100-2624	10	14	1	Valve
100-2625	10	15	1	Limiter
100-2626	10	16	1	Nozzle Main
100-2627	10	17	1	Screw
100-2628	10	18	1	Screw

*Not Illustrated

Toro Part Number Index (cont.)

Part No.	Page No.	Ref. No.	Qty.	Description
100-2629	10	19	2	Screw
100-2630	10	20	1	Collar
100-2631	10	21	1	Collar
100-2633	10	23	1	Pin
100-2634	10	24	1	Jet Main #62.5
100-2635	10	27	1	Jet Pilot #37.5
100-2636	10	28	3	Spring
100-2637	10	29	1	Seal
100-2638	10	30	1	Seal
100-2639	10	31	1	Collar
100-2640	10	32	1	Bolt
100-2641	10	33	1	Tube 4x7x125
100-2642	10	34	1	Screw Pan
100-2650	9	1	1	Plate
100-2651	9	2	1	Cover
100-2652	9	3	1	Cover
100-2653	9	4	1	Insulator
100-2654	9	5	1	Insulator
100-2656	9	7	1	Terminal
100-2657	9	8	1	Coil ASM Ignition
100-2658	9	9	1	Flywheel Complete
100-2659	9	10	1	Wire Lead
100-2660	9	11	1	Wire Lead L=300mm
100-2663	9	14	1	Bolt 4x20
100-2664	9	15	1	Clamp
100-2665	9	16	1	Washer
100-2666	9	17	1	Bolt Upset
100-2668	9	19	1	Nut Hex
100-2669	9	20	1	Nut Hex
100-2671	7	8	1	Washer Plain S
100-2671	9	22	1	Washer Plain S
100-2672	11	1	1	Piston Engine
100-2673	11	2	1	Pin-Piston
100-2674	11	3	1	Ring Set Piston
100-2675	11	4	1	Ring Set Piston L0.25
100-2676	11	5	1	Ring Set Piston L0.50
100-2677	11	6	1	Piston Engine L0.25
100-2678	11	7	1	Piston Engine L0.50
100-2680	11	9	1	Rod ASM Connecting
100-2681	11	10	1	Rod ASM Connecting U/S=0.50
100-2682	11	11	1	Gear-Helical
100-2683	11	12	2	Ring-Snap
100-2687	14	2	1	Guide
100-2688	14	3	1	Gauge
100-2689	14	4	1	Filler
100-2690	14	5	1	O-Ring
100-2691	12	1	1	Cap Air Filter
100-2692	12	2	1	Element Air Filter
100-2693	12	3	1	Element Air Filter
100-2694	12	4	1	Element ASM Air Filter
100-2695	12	5	1	Bracket
100-2696	12	6	1	Gasket Intake Pipe
100-2697	12	7	1	Gasket Muffler
100-2698	12	8	1	Pipe-Intake
100-2699	12	9	1	Muffler Complete
100-2700	6	1	1	Lever
100-2701	6	2	1	Lever
100-2702	6	3	1	Link-Choke
100-2703	6	4	1	Link
100-2704	6	5	1	Arm-ASM
100-2705	6	6	1	Arm-Pivot
100-2706	6	7	1	Spring-Governor
100-2707	6	8	1	Panel-ASM Control

*Not Illustrated

Toro Part Number Index (cont.)

Part No.	Page No.	Ref. No.	Qty.	Description
100-2708	6	9	1	Sleeve
100-2710	6	11	1	Panel-Control
100-2715	6	16	2	Washer 6x9x1.2
100-2717	6	18	1	Spring Link
100-2718	6	19	2	Collar 6x13x2.3
100-2720	6	21	1	Spring
100-2724	6	25	2	Bolt-Upset-Wsp
100-2725	6	26	1	Screw-Pan
100-2727	5	1	1	Valve-Intake
100-2728	5	2	1	Valve-Exhaust
100-2729	5	3	2	Retainer-Valve Spring
100-2730	5	4	2	Arm-Rocker
100-2731	5	5	2	Tappet
100-2732	5	6	1	Guide
100-2733	5	7	2	Rod-Push
100-2734	5	8	1	Decompressor
100-2735	5	9	2	Spring-Engine Valve
100-2736	5	10	1	Camshaft-Complete
100-2739	5	13	3	Pin
100-2740	5	14	1	Spring
100-2741	5	15	2	Bolt
100-2742	4	1	1	Gasket-Head
100-2743	4	2	1	Head-Complete-Cylinder
100-2744	4	3	1	Gasket Rocker Case
100-2746	4	5	1	Gasket Cover
100-2747	4	6	1	Gasket Crankcase Cover
100-2748	4	7	1	Plate
100-2749	4	8	1	Plate
100-2754	12	14	2	Spacer 6.2x7.8x8
100-2755	12	15	1	Tube
100-2756	12	16	1	Bolt
100-2757	12	17	1	Clamp
100-2758	12	18	1	Clamp
100-2759	12	19	2	Washer 7x21x2.3
100-2760	12	20	1	Washer 6.5x18x2.0
100-2760	13	11	4	Washer 6.5x18x2.0
100-2761	12	21	2	Bolt-Stud
100-2762	12	22	2	Bolt Upset Wp
100-2763	12	23	2	Screw Pan
100-2766	15	2	1	Holder
100-2767	15	3	1	Pawl Recoil Starter
100-2768	15	4	1	Retainer-Spring
100-2769	15	5	1	Grip Recoil Starter
100-2770	15	6	1	Pulley-Starting
100-2771	15	7	1	Starter-Recoil
100-2772	15	8	1	Reel Recoil Starter
100-2774	15	10	1	Screw 5x18
100-2775	15	11	1	Washer 5x12.8x1.2
100-2776	15	12	1	Spring Recoil
100-2777	15	13	1	Spring
100-2779	4	9	1	Cover
100-2780	4	10	1	Valve
100-2781	4	11	1	Valve
100-2783	7	1	1	Bracket
100-2784	7	2	1	Band-Brake
100-2785	7	3	1	Lever-Brake
100-2786	7	4	1	Pin
100-2787	7	5	1	Spring
100-2791	7	9	1	Circlip-Type-E
100-2792	7	10	2	Pin Cotter
100-2793	13	2	1	Cover Lower
100-2794	13	3	1	Cover
100-2795	12	10	1	Cover Muffler Gold

*Not Illustrated

Toro Part Number Index (cont.)

Part No.	Page No.	Ref. No.	Qty.	Description
100-2804	4	20	4	Bolt-Flanged
100-2804	8	17	2	Bolt-Flanged
100-2808	8	1	1	Gasket
100-2809	8	2	1	Guide
100-2810	8	3	1	Lever
100-2811	8	4	1	Filter Complete
100-2812	8	5	1	Filter Fuel
100-2813	8	7	1	Element-Breather
100-2814	8	6	1	Valve - Fuel
100-2815	8	8	1	Tank Complete Fuel
100-2816	8	9	1	Cap-ASM-Tank
100-2817	8	10	1	Screw
100-2818	8	11	1	Clamp
100-2819	8	12	1	Tube
100-2820	8	13	2	Clamp
100-2821	8	14	1	Clamp
100-2822	8	15	2	Clamp
100-2823	8	16	1	Tube 4.8x10.3x433
100-2825	8	18	2	Screw-Pan-Wp
100-2827	11	8	1	Crankshaft
100-2833	4	12	1	Cover Crankcase
100-2834	4	4	1	Case Rocker
100-2835	3	8	3	Screw-Engine Mount
100-2836	15	9	1	Rope Recoil 3.8x2610
100-2840	4	13	1	O-Ring
100-2841	4	14	1	Ball Bearing
100-2842	4	16	1	Bolt Upset Wsp
100-2843	4	22	1	Washer 6x12x1.6
100-2844	4	23	1	Washer 5x16x0.8
100-2846	4	25	1	Tube
100-2847	4	26	2	Seal Oil
100-2848	4	27	2	Pin
100-2849	4	29	1	Crankcase Complete
100-2854	4	24	1	Plug
100-2887	1	1	1	Housing-21"rwd
2210-316	3	5	1	Stop-Rope
237-153	16	7	2	O-Ring
2412-50	17	35	3	Ring Fitting
302-56	16	8:1	1	Fitting-Zerk
321-39	17	21	1	Screw-HH
3253-22	3	14	1	Washer-Lock/Sp
3256-1	17	28	1	Washer-Flat
3256-24	2	3	1	Washer-Flat
3272-10	16	3	1	Pin-Cotter
3290-378	17	36	3	Tie-cable
3296-5	2	4	1	Nut-Lock Ni
3296-6	1	18	2	Nut-Lock Ni
3296-6	1	38	2	Nut-Lock Ni (Serial No. 9900103 & Up)
3296-6	16	25	2	Nut-Lock Ni (Serial No. 9900103 & Up)
3296-47	17	6	1	Nut-Lock Ni
3296-72	17	7	3	Nut-Lock Ni
3296-73	17	22	3	Nut-Lock Ni
3296-74	17	25	2	Nut-Lock Ni
32121-120	2	2	1	Pin-Spring
32144-70	1	28	1	Screw-HH
32144-70	3	17	2	Screw-HH
32144-70	16	22	1	Screw-HH
32144-85	1	22	2	Screw-HH
32144-85	16	24	2	Screw-HH
32144-111	1	1:5	11	Screw-PPH

*Not Illustrated

