



Count on it.

Parts Catalog

55cm Recycler®

Lawn Mower with SmartStow®

Model No. 20961—Serial No. 404320000 and Up



Ordering Replacement Parts

To order replacement parts, please supply the part number, the quantity, and the description of each part desired.

Understanding Reference Numbers

Each identified part in an illustration has a reference number. The reference number for a part also appears in the parts list, along with other information about the part.

This catalog uses two special reference number formats, one to indicate parts in a service assembly and another to indicate the quantity of a given part in an illustration.

Service Assembly Reference Numbers

Parts in service assemblies have reference numbers in the form a:b. The a represents the reference number of the entire service assembly and the b represents a sequential number unique to each part within the service assembly.

For example, a wheel assembly might be identified by reference number 6, the tire by 6:1, the valve by 6:2, and the wheel by 6:3. When you order the assembly identified by reference number 6, you receive all parts identified by reference numbers 6:1, 6:2, and 6:3. However, you may also order any part individually. Reference numbers of this type appear in illustration and in parts lists.

Reference Numbers Indicating Quantity

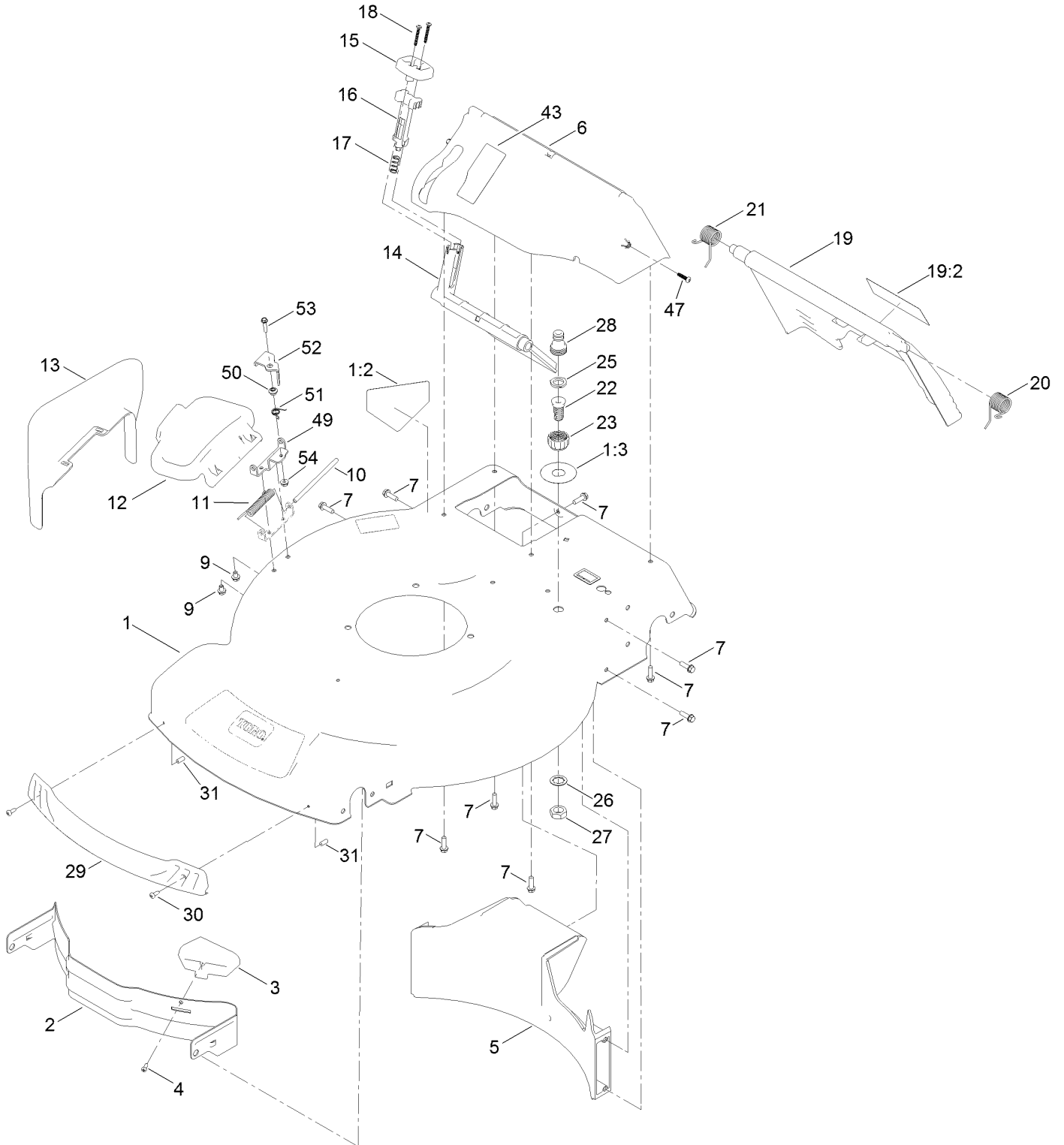
In an illustration, if a reference number indicates more than one part, the reference number has the form nX y. The n represents the quantity of the part, the X is the multiplication symbol, and the y represents the reference number.

For example, in an illustration, the reference number 2X 37 means that two of the parts identified by reference number 37 are indicated.

Contents

Housing Assembly	4
Rear Bag Assembly	6
Engine and Blade Assembly	8
Front Wheel and Height-of-Cut Assembly	10
Rear Wheel and Height-of-Cut Assembly	12
Handle Assembly	14
Attachments and Accessories	16

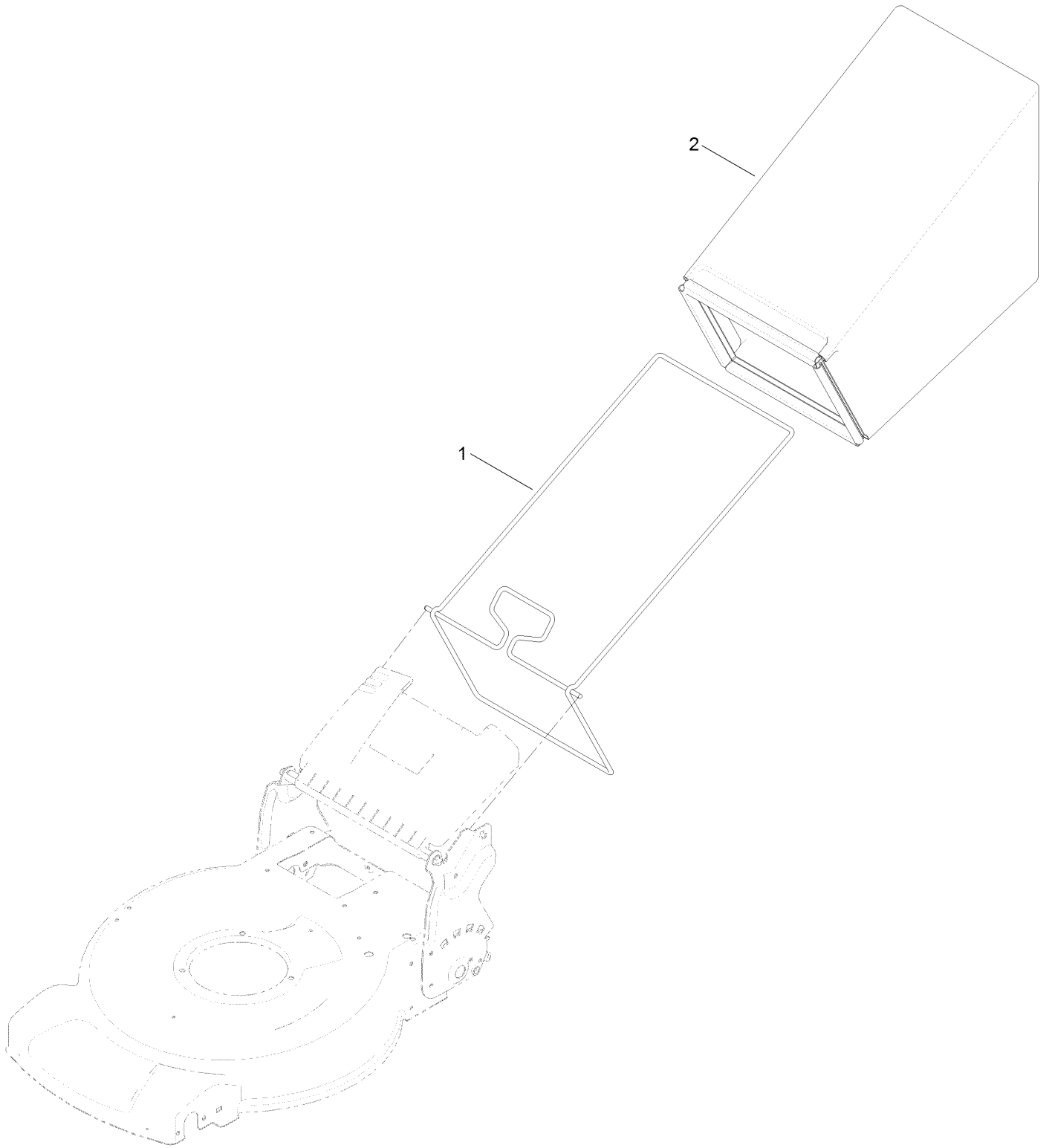
Housing Assembly



Housing Assembly (continued)

<i>Ref.</i>	<i>Part Number</i>	<i>Qty.</i>	<i>Description</i>	<i>Ref.</i>	<i>Part Number</i>	<i>Qty.</i>	<i>Description</i>
1	133-1946	1	Housing ASM	20	115-2859	1	Spring-Torsion
1:2	112-8760	1	Decal-Danger	21	114-7924	1	Spring-Torsion
1:3	137-9196	1	Decal-Quick Wash	22	112-6400	1	Port-Washout
2	115-4667-01	1	Baffle-Front	23	112-6401	1	Coupling-Hose, Washout Port
3	115-4672	1	Kicker-Front	25	112-6438	1	Washer-Seal, Washout Port
4	32144-111	1	Screw-PPH	26	3254-5	1	Washer-Lock
5	114-7961	1	Baffle-Rear	27	3218-6	1	Nut-Jam
6	136-5882	1	Chute-Recycle	28	112-6437	1	Adapter-Connect, Quick
7	46-8091	9	Screw-HWH	29	114-7987	1	Bumper
9	99-8445	2	Screw-HWH	30	105-6849	2	Screw-Forming, Thread
10	99-5291	1	Rod-Cover	31	130-6660	2	Cap-Plug
11	99-5293	1	Spring-Torsion	43	125-5026	1	Decal
12	138-5316	1	Deflector-Discharge, Side	47	108-7476	2	Screw-Plastite
13	115-8447	1	Chute-Discharge, Side	49	138-3293	1	Bracket-Lockout
14	114-7960	1	Deflector-Recycle	50	107-7463	1	Spacer
15	114-7958	1	Knob-Recycle	51	107-7462	1	Spring-Torsion
16	114-7959	1	Latch-Recycle	52	138-3292	1	Lever-Lockout
17	117-1031	1	Spring-Compression	53	106-9169	1	Screw-HWH
18	32104-120	2	Screw-PPH	54	32128-17	1	Nut-Lock, Flange
19	137-9139	1	Rear Door ASM				
19:2	131-4514	1	Decal-Warning				

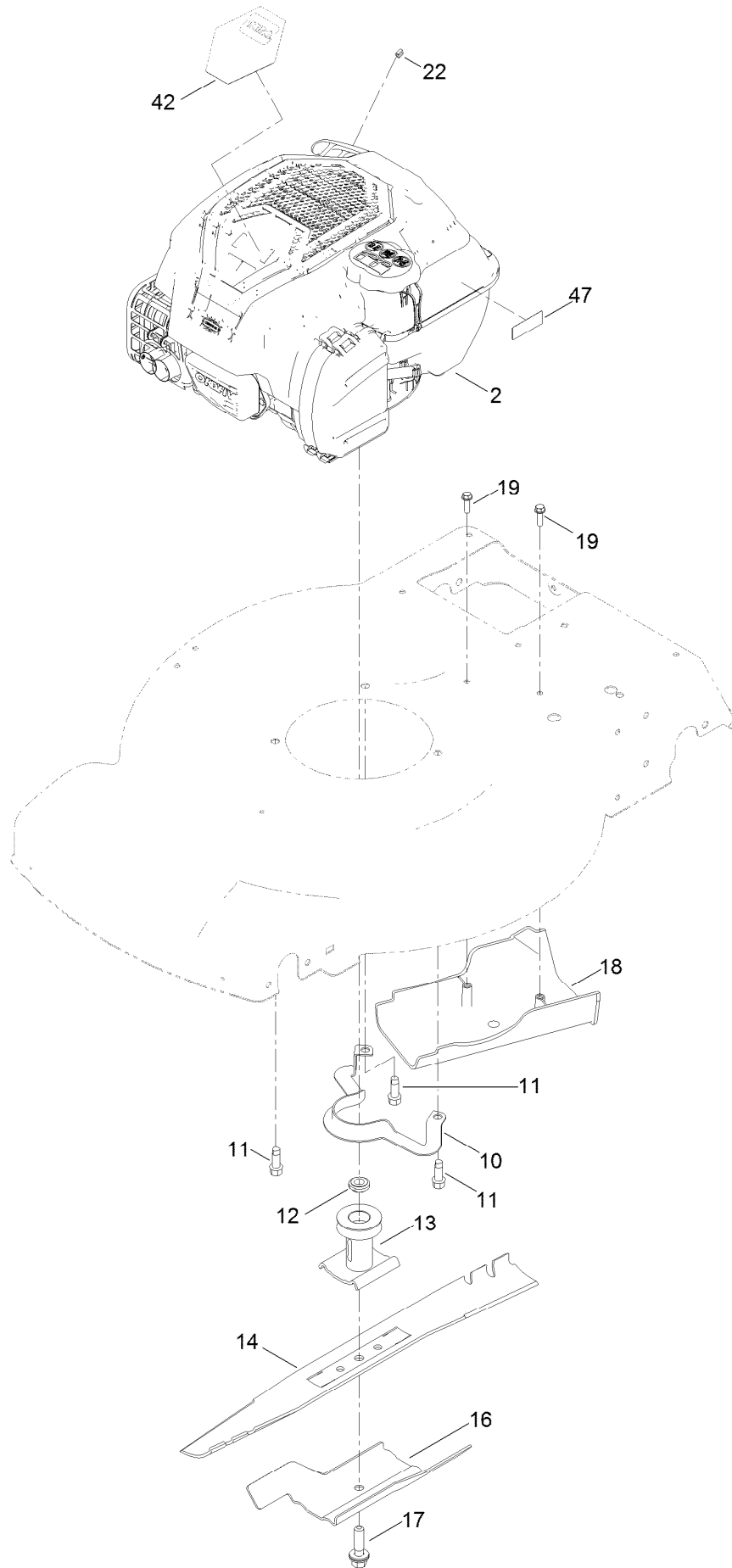
Rear Bag Assembly



Rear Bag Assembly (continued)

<i>Ref.</i>	<i>Part Number</i>	<i>Qty.</i>	<i>Description</i>
1	132-4529-03	1	Bag Frame ASM
2	115-4673	1	Grass Bag ASM

Engine and Blade Assembly



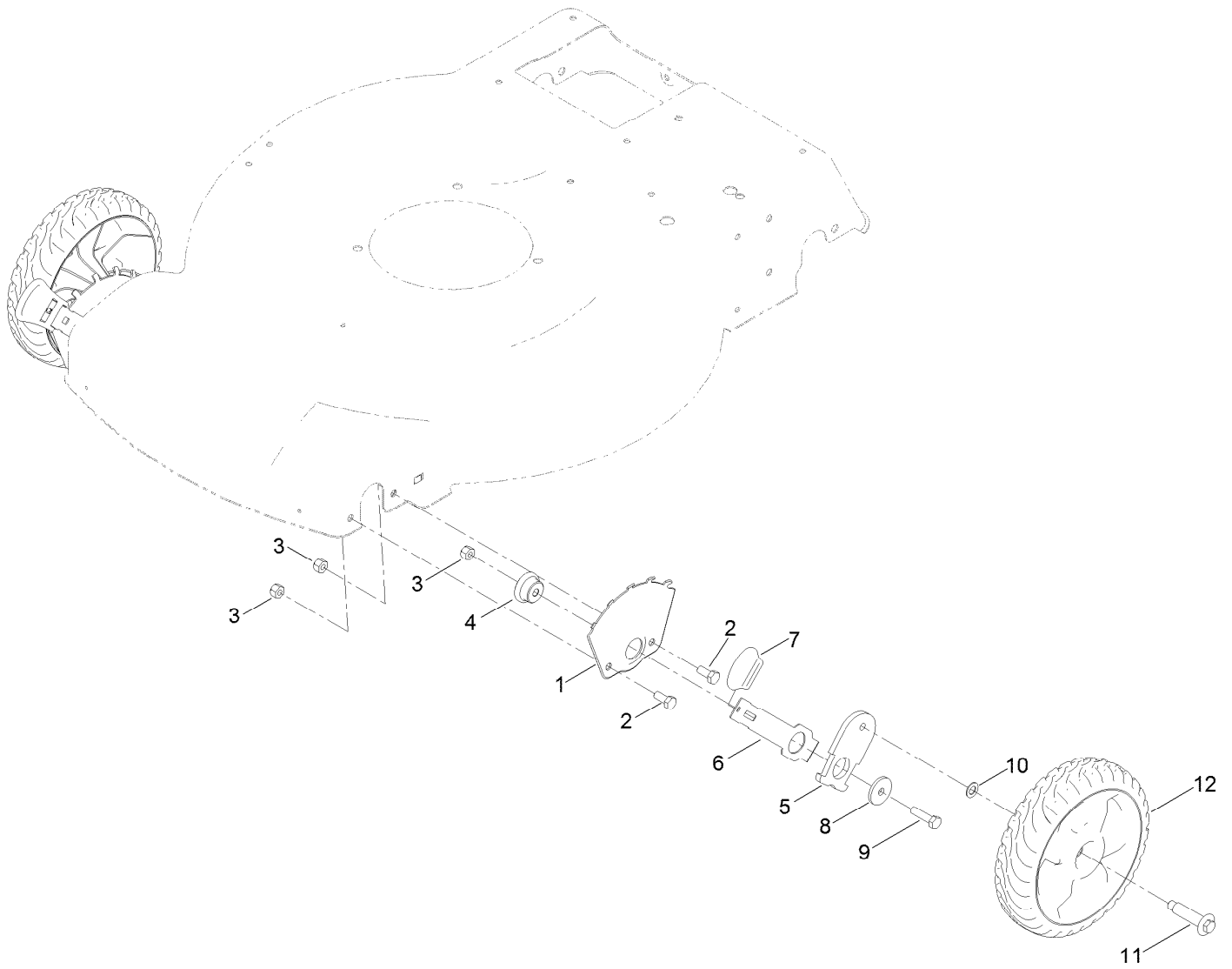
Engine and Blade Assembly (continued)

<i>Ref.</i>	<i>Part Number</i>	<i>Qty.</i>	<i>Description</i>	<i>Ref.</i>	<i>Part Number</i>	<i>Qty.</i>	<i>Description</i>
2		1	Engine-Briggs,104M020130F1 ●■	16	105-6848-03	1	Accelerator-Blade
10	105-3030-03	1	Guide-Belt	17	125-2466	1	Bolt-Blade
11	95-1726	3	Screw-Taptite	18	114-7937	1	Cover-Belt
12	106-3999	1	Spacer-Driver	19	46-8091	2	Screw-HWH
13	106-3987	1	Driver-Blade	22	2210-316	1	Stop-Rope
14	131-9683-03	1	Blade	42	133-8176	1	Decal-Shroud
				47	133-8198	1	Decal-Level, Fuel

● Not serviced separately

■ Obtain parts from www.briggsandstratton.com

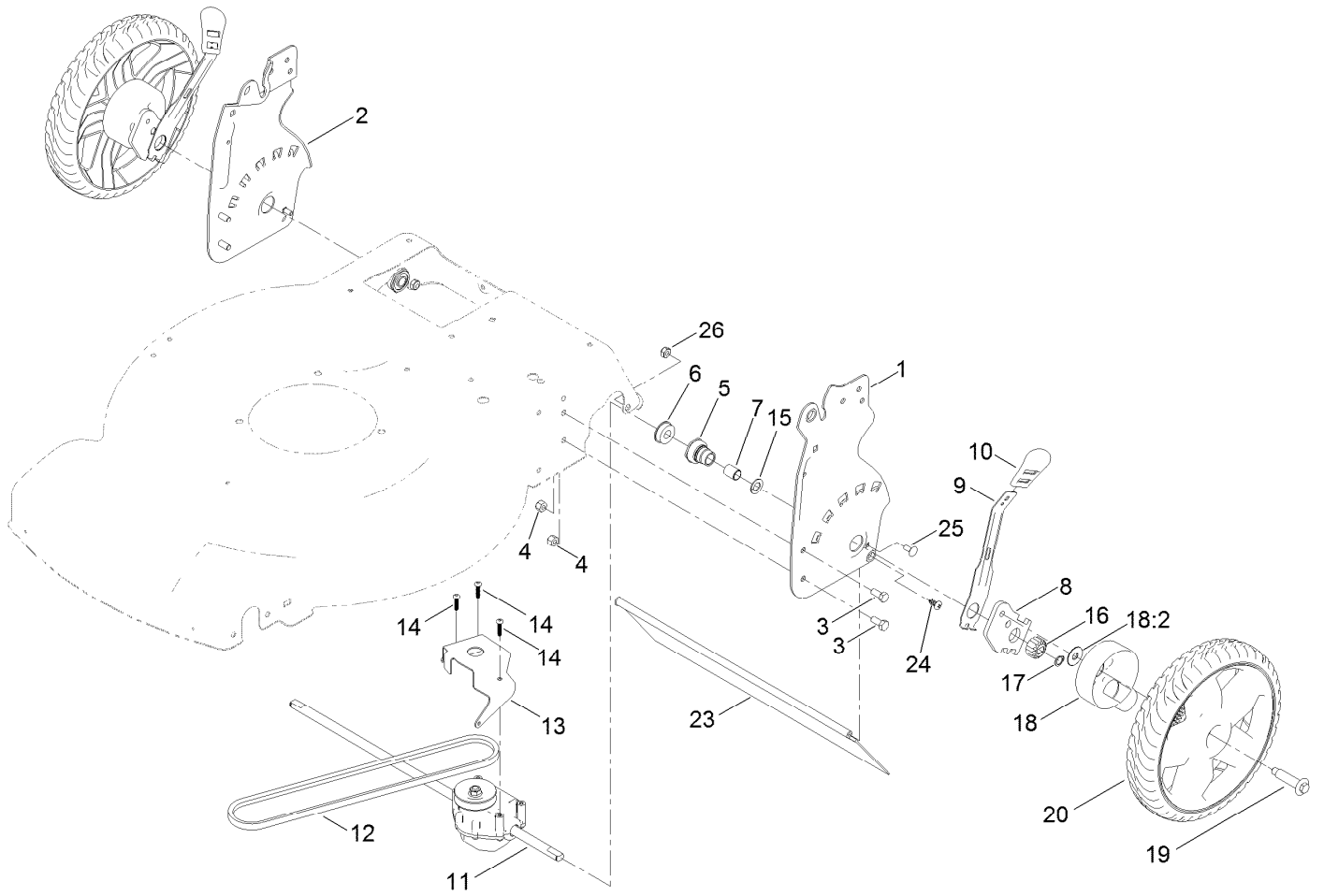
Front Wheel and Height-of-Cut Assembly



Front Wheel and Height-of-Cut Assembly (continued)

<i>Ref.</i>	<i>Part Number</i>	<i>Qty.</i>	<i>Description</i>	<i>Ref.</i>	<i>Part Number</i>	<i>Qty.</i>	<i>Description</i>
1	115-1956-03	2	Plate-HOC, Front	7	110-0549	2	Knob-HOC
2	322-3	4	Screw-HH	8	105-3048	2	Washer-Flat
3	3296-29	6	Nut-Lock, NI	9	322-6	2	Screw-HH
4	105-1818	2	Bushing-Mount, HOC	10	40-1940	2	Washer
5	137-9128	2	Arm-Pivot, Front	11	614650	2	Bolt-Shoulder
6	105-1809	2	Arm-Spring	12	137-4833	2	8In Wheel ASM

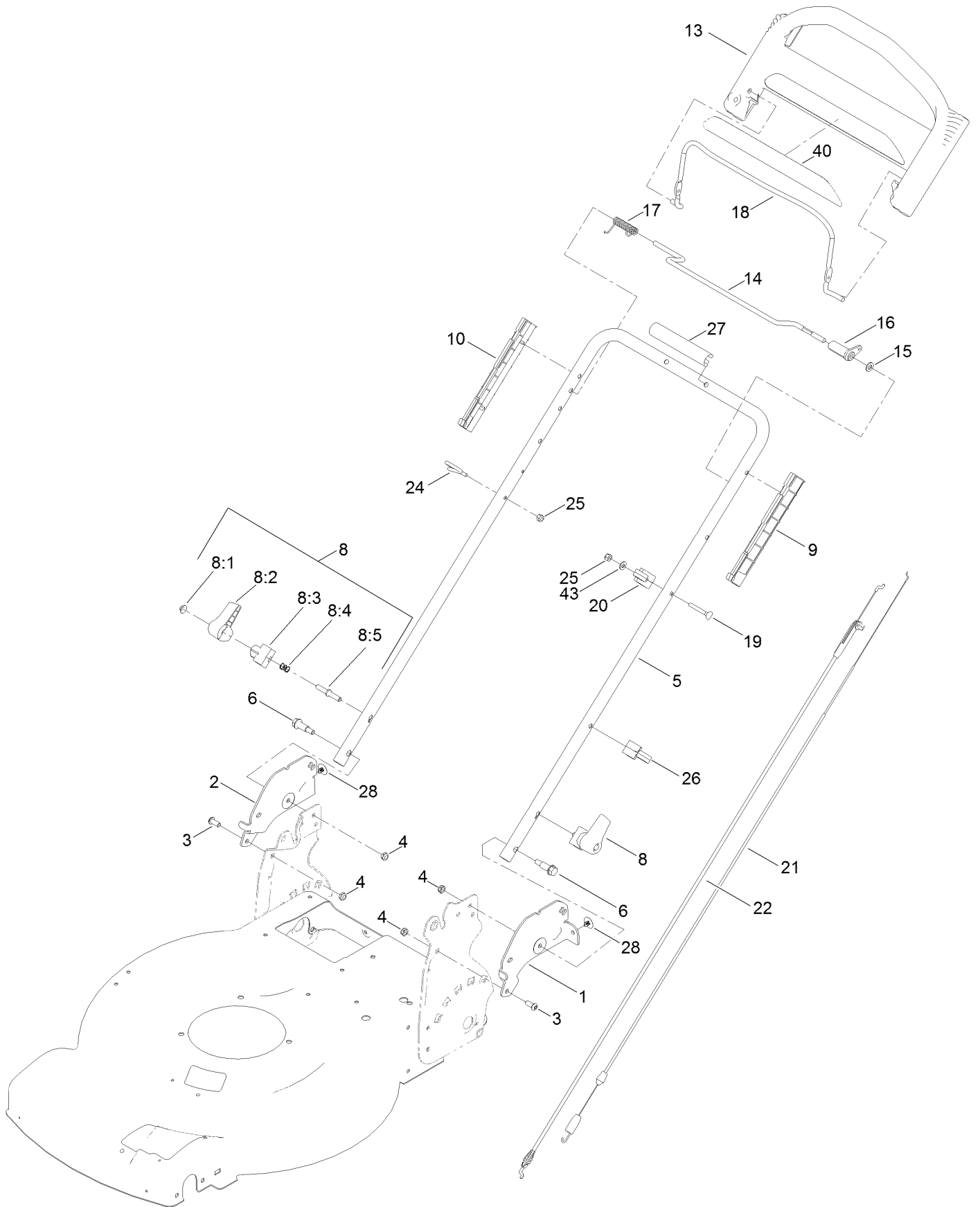
Rear Wheel and Height-of-Cut Assembly



Rear Wheel and Height-of-Cut Assembly (continued)

<i>Ref.</i>	<i>Part Number</i>	<i>Qty.</i>	<i>Description</i>	<i>Ref.</i>	<i>Part Number</i>	<i>Qty.</i>	<i>Description</i>
1	136-5887-03	1	Plate-HOC, Rwd (LH)	14	108-7476	3	Screw-Plastite
2	136-5888-03	1	Plate-HOC, Rwd (RH)	15	110-7191	2	Washer-Thrust
3	322-3	4	Screw-HH	16	131-5399	2	Gear-Pinion, 15T
4	3296-29	4	Nut-Lock, NI	17	32151-61	2	Ring-Retaining
5	108-9779	2	Retainer-Bushing, HOC	18	136-9059	2	Gear Cover ASM
6	104-8699	2	Bearing-Ball	18:2	614426	1	Washer-Stepped
7	108-9782	2	Bushing-Sleeve	19	614650	2	Bolt-Shoulder
8	136-9090	2	Arm-Pivot, Rear	20	137-4843	2	Wheel Gear ASM (11In)
9	132-4486	2	Arm-Spring	23	120-7012	1	Shield-Trailing
10	110-0549	2	Knob-HOC	24	117-1092	2	Screw-PTH
11	137-4825	1	Transmission-Rwd (6:1)	25	3229-11	2	Screw-CARR
12	91-2258	1	Belt-V	26	3296-16	2	Nut-Lock, NI
13	132-4481-01	1	Bracket-Transmission				

Handle Assembly



Handle Assembly (continued)

<i>Ref.</i>	<i>Part Number</i>	<i>Qty.</i>	<i>Description</i>	<i>Ref.</i>	<i>Part Number</i>	<i>Qty.</i>	<i>Description</i>
1	137-9109-03	1	Plate-Handle, LH	15	3256-23	1	Washer-Plain
2	137-9110-03	1	Plate-Handle, RH	16	99-1589	1	Lever-Traction
3	3274-55	2	Screw-HSBH	17	136-7166	1	Spring-Torsion
4	3296-47	4	Nut-Lock, NI	18	131-0880-03	1	Bail-Brake
5	132-4471-05	1	Handle	19	95-4453	1	Screw
6	130-2344	2	Bolt-Shoulder	20	136-5864	1	Anchor-Cable
8	115-2860	2	Quick Release ASM	21	115-8435	1	Cable-Traction
8:1	32112-11	1	Nut-Push	22	115-8437	1	Cable-Brake
8:2	138-3248	1	Lever-Release	24	86-9671	1	Guide-Rope
8:3	138-3253	1	Anchor-Spring	25	3296-73	2	Nut-Lock, NI
8:4	115-2858	1	Spring-Compression	26	114-7988	1	Guide-Cable
8:5	138-3243	1	Rod-Release	27	131-4551	1	Handle-Cover
9	105-6842	1	Guide-LH	28	130-6721	2	Clip-Tree
10	105-6841	1	Guide-RH	40	133-1949	1	Decal
13	104-8678	1	Handle-Control	43	3256-1	1	Washer-Flat
14	136-7150	1	Bar-Control, Traction				

Attachments and Accessories

For 20961 55cm Recycler Lawn Mower with SmartStow

Product Name	Model/Part
All Season Synthetic Oil (10W30, QT)	117-0066
4-Cycle Fuel, Snow And Lawn 32oz Can	131-3823
Traction Assist Handle Kit.....	131-4590
Toro Premium Fuel Treatment 12 Oz Bottle	131-6572
Lawn Striping Kit with 22in Roller.....	20601
Toro 4-Cycle SAE 30 Oil (32oz Bottle)	38903
Summer Oil-Case of 24 (20oz Bottles).....	38916
Smart Stow Walk Power Mower Cover	490-2012
Bag-Walk Behind (Toro).....	490-7318

Notes:

Notes:

Notes:



Count on it.