



Count on it.

Parts Catalog

**Commercial Walk-Behind Mower
Fixed Deck, Pistol Grip, Gear Drive with 32in
Cutting Unit**

Model No. 30632—Serial No. 404325000 and Up



Ordering Replacement Parts

To order replacement parts, please supply the part number, the quantity, and the description of each part desired.

Understanding Reference Numbers

Each identified part in an illustration has a reference number. The reference number for a part also appears in the parts list, along with other information about the part.

This catalog uses two special reference number formats, one to indicate parts in a service assembly and another to indicate the quantity of a given part in an illustration.

Service Assembly Reference Numbers

Parts in service assemblies have reference numbers in the form a:b. The a represents the reference number of the entire service assembly and the b represents a sequential number unique to each part within the service assembly.

For example, a wheel assembly might be identified by reference number 6, the tire by 6:1, the valve by 6:2, and the wheel by 6:3. When you order the assembly identified by reference number 6, you receive all parts identified by reference numbers 6:1, 6:2, and 6:3. However, you may also order any part individually. Reference numbers of this type appear in illustration and in parts lists.

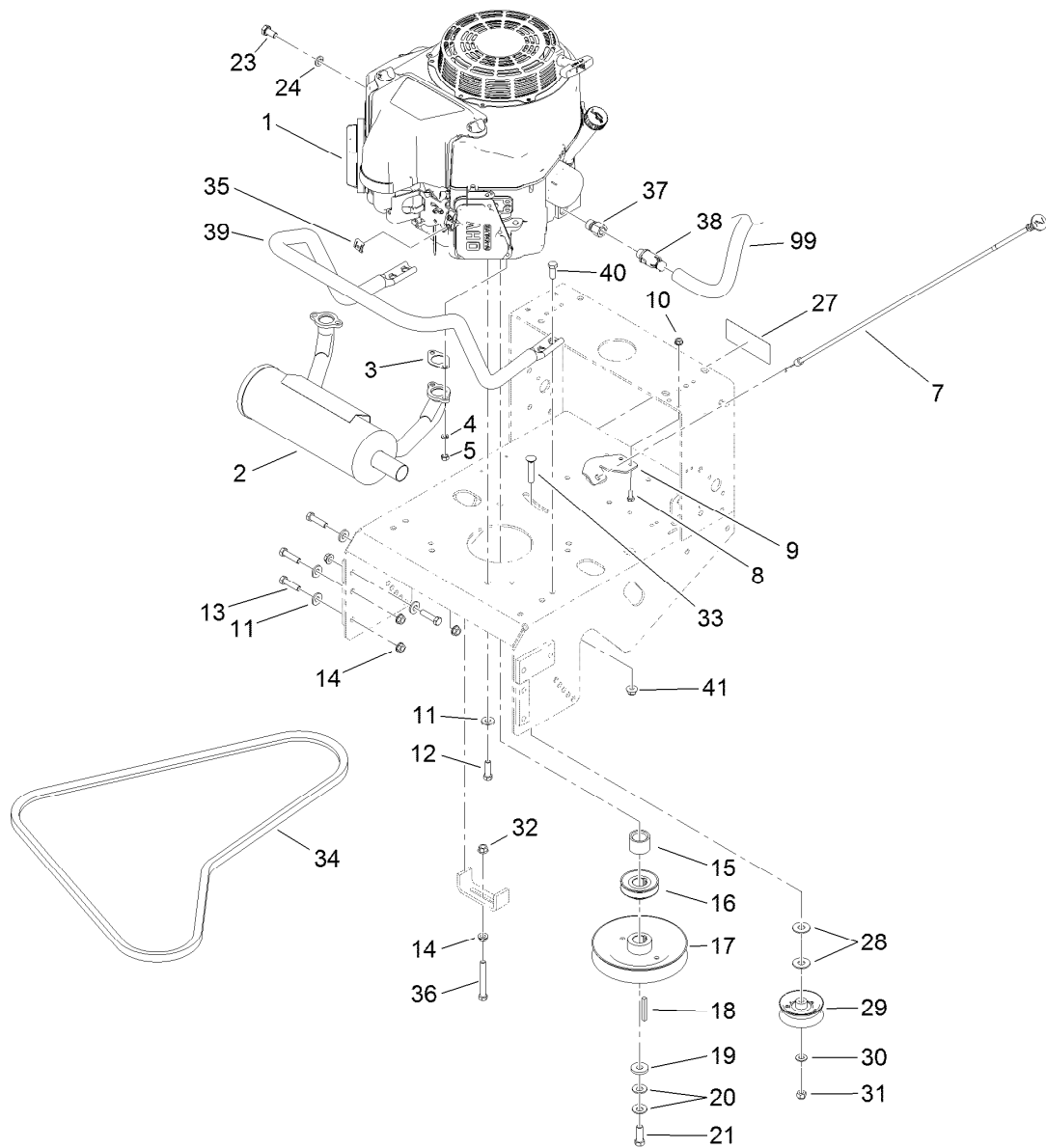
Reference Numbers Indicating Quantity

In an illustration, if a reference number indicates more than one part, the reference number has the form nX y. The n represents the quantity of the part, the X is the multiplication symbol, and the y represents the reference number.

For example, in an illustration, the reference number 2X 37 means that two of the parts identified by reference number 37 are indicated.

Contents

| | |
|--|----|
| Engine and Exhaust Assembly..... | 4 |
| Fuel System Assembly | 6 |
| Frame and Transmission Assembly | 7 |
| Drive Wheel and Brake Assembly | 9 |
| Handle Control Assembly | 11 |
| Handle Assembly | 12 |
| Deck and Shield Assembly | 13 |
| Deck Decal Assembly No. 110-6901..... | 14 |
| Deflector Assembly No. 119-6529..... | 15 |
| Idler Arm and Caster Wheel Assembly | 16 |
| Spindle and Blade Assembly | 18 |
| Cutter Housing Assembly No. 107-4065 | 19 |
| Attachments and Accessories | 20 |

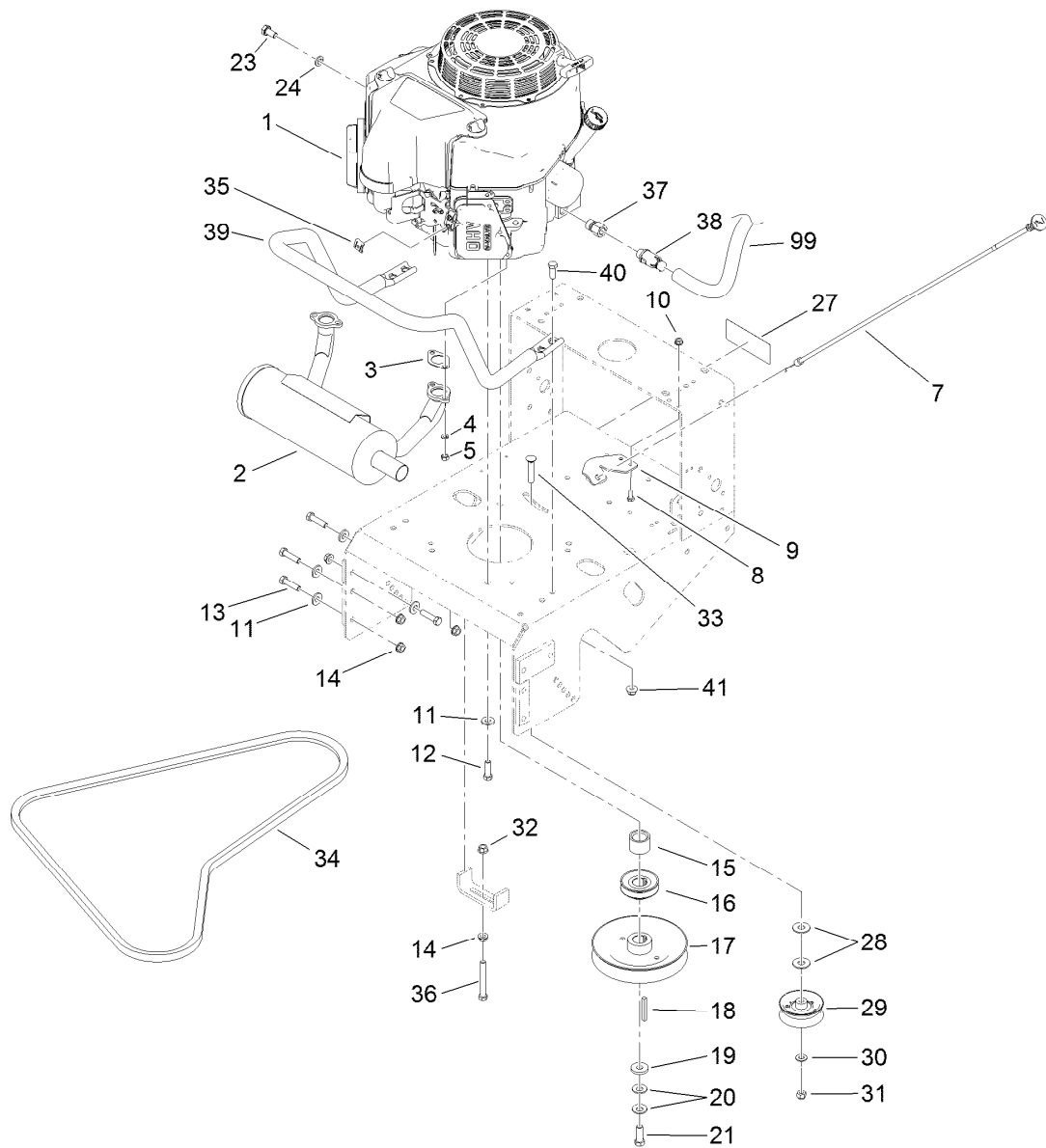


Engine and Exhaust Assembly

| Ref. | Part Number | Qty. | Description | Ref. | Part Number | Qty. | Description |
|------|-------------|------|---------------------------------|------|-------------|------|----------------------|
| 1 | | 1 | Engine-Kawasaki, Fs481V-As06 ●■ | 19 | 1-373034 | 1 | Washer |
| 2 | 116-3734 | 1 | Muffler-Horizontal, Offset | 20 | 1-603610 | 2 | Washer-Spring |
| 3 | 1-653313 | 2 | Gasket-Exhaust | 21 | 116-3702 | 1 | Screw-HH |
| 4 | 114-3550 | 4 | Washer-Lock | 23 | 33114-016 | 1 | Screw-HH |
| 5 | 114-3549 | 4 | Nut | 24 | 3253-4 | 1 | Washer-Lock |
| 7 | 103-1796 | 1 | Cable-Choke | 27 | 126-1400 | 1 | Decal-Warning, Sulky |
| 8 | 321-3 | 2 | Screw-HH | 28 | 3256-5 | 2 | Washer-Flat |
| 9 | 103-1797-01 | 1 | Bracket-Cable, Choke | 29 | 130-8362 | 1 | Pulley-Idler, Flat |
| 10 | 32128-33 | 2 | Nut-HF | 30 | 3256-24 | 1 | Washer-Flat |
| 11 | 98-5975 | 12 | Washer-Belleville | 31 | 3296-39 | 1 | Nut-Lock, NI |
| 12 | 323-7 | 4 | Screw-HH | 32 | 32128-21 | 1 | Nut-HF |
| 13 | 323-8 | 8 | Screw-HH | 33 | 3231-6 | 1 | Screw-CARR |
| 14 | 3290-357 | 9 | Nut-HHF, Whiz | 34 | 1-323745 | 1 | Belt-V |
| 15 | 1-633453 | 1 | Spacer-Clutch | 35 | 81-1690 | 1 | Clamp-Cable |
| 16 | 103-1666 | 1 | Sheave-Transmission | 36 | 323-14 | 1 | Screw-HH |
| 17 | 103-1667 | 1 | Sheave | 37 | 103-1966 | 1 | Adapter |
| 18 | 103-4177 | 1 | Key | 38 | 120-4321 | 1 | Valve-Drain, Oil |
| | | | | 39 | 116-6278-03 | 1 | Guard-Muffler |

● Not serviced separately

■ Obtain parts from www.kawpowerpc.com



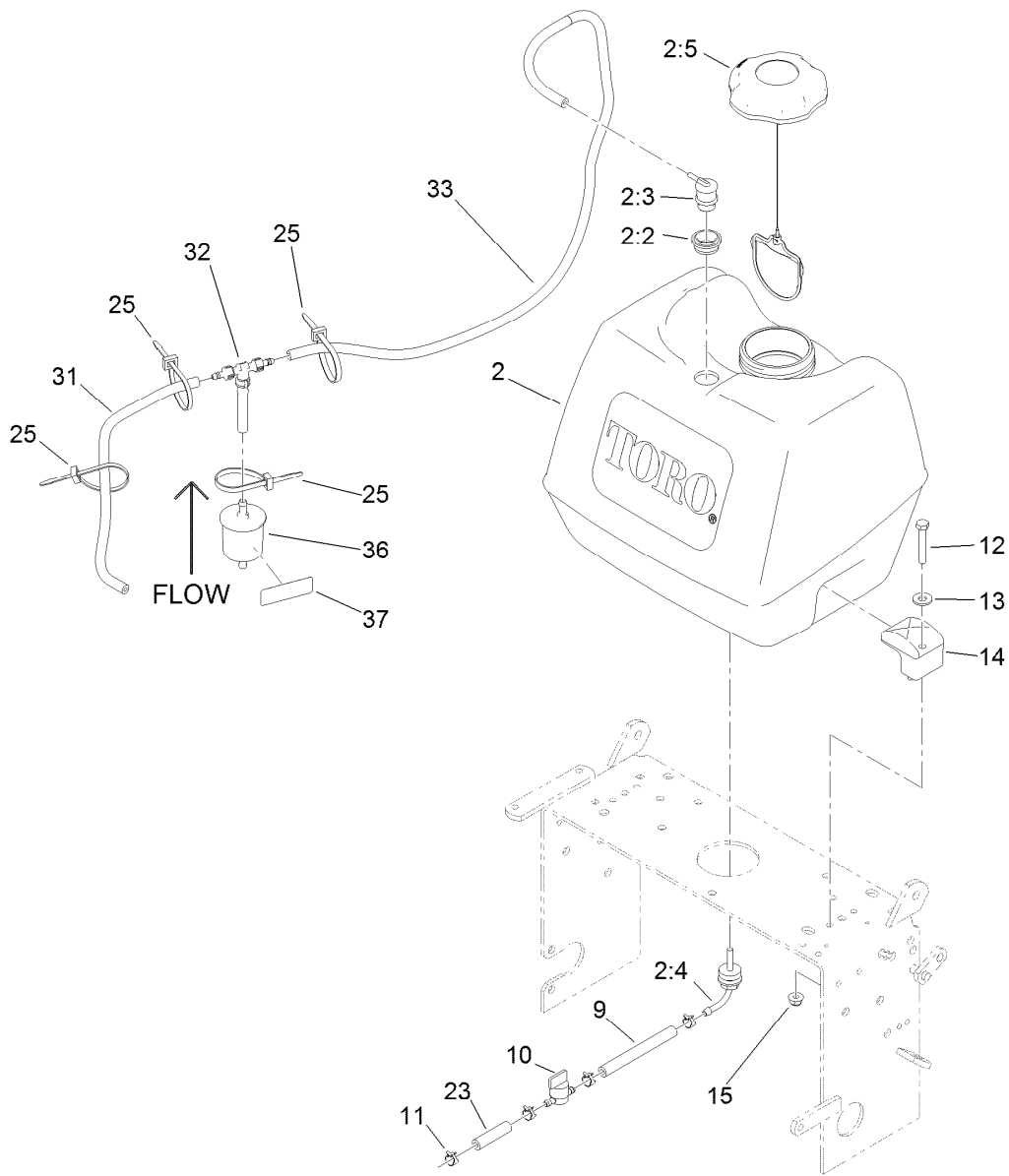
Engine and Exhaust Assembly (continued)

| Ref. | Part Number | Qty. | Description |
|------|-------------|------|-------------|
| 40 | 323-6 | 4 | Screw-HH |

| Ref. | Part Number | Qty. | Description |
|------|-------------|------|-----------------|
| 41 | 104-8301 | 4 | Nut-HF, NI |
| 99 | 103-1964 | 1 | Hose-Drain, Oil |

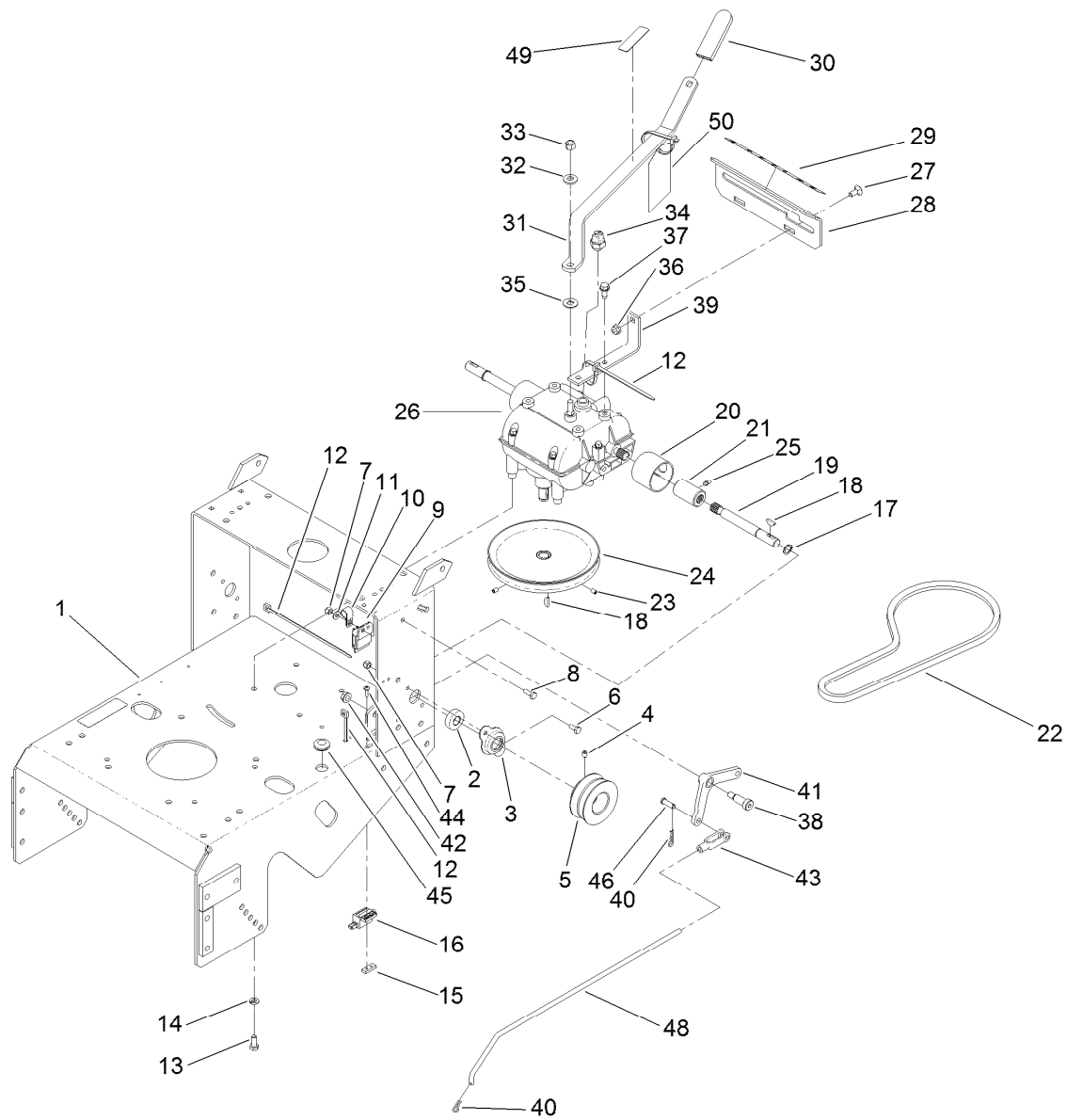
● Not serviced separately

■ Obtain parts from www.kawpowerpc.com



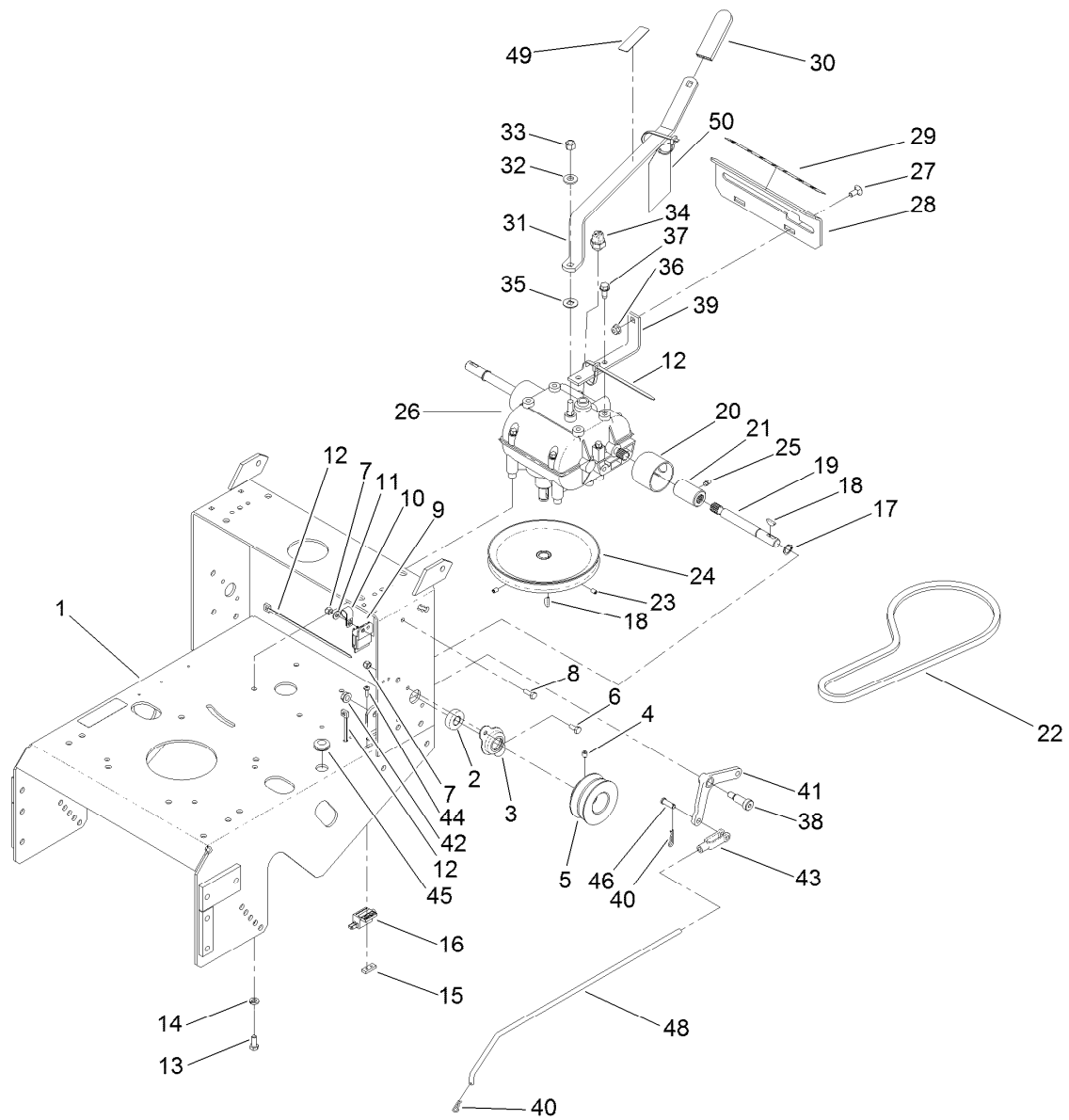
Fuel System Assembly

| <i>Ref.</i> | <i>Part Number</i> | <i>Qty.</i> | <i>Description</i> | <i>Ref.</i> | <i>Part Number</i> | <i>Qty.</i> | <i>Description</i> |
|-------------|--------------------|-------------|------------------------|-------------|--------------------|-------------|-------------------------|
| 2 | 126-1526 | 1 | Fuel Tank ASM | 14 | 107-4543 | 2 | Clamp |
| 2:2 | 114-0284 | 1 | Grommet | 15 | 104-8300 | 2 | Nut-HF, NI |
| 2:3 | 119-3547 | 1 | Valve-Vent, Fuel | 23 | 99-9415 | 1 | Hose-Fuel |
| 2:4 | 103-2605 | 1 | Fitting-Fuel, Bulkhead | 25 | 3290-378 | 4 | Tie-Cable |
| 2:5 | 137-4119 | 1 | Cap-Fuel, Ratcheting | 31 | 115-7872 | 1 | Hose-Fuel |
| 9 | 109-0650 | 1 | Hose-Fuel | 32 | 116-5464 | 1 | Tee And Check |
| 10 | 1-603770 | 1 | Valve-Fuel | 33 | 116-4346 | 1 | Hose-Emissions |
| 11 | 2412-98 | 4 | Clamp-Hose | 36 | 120-2235 | 1 | Filter-Fuel |
| 12 | 322-10 | 2 | Screw-HH | 37 | 116-4769 | 1 | Decal-Filter, Emissions |
| 13 | 3256-3 | 2 | Washer-Flat | | | | |



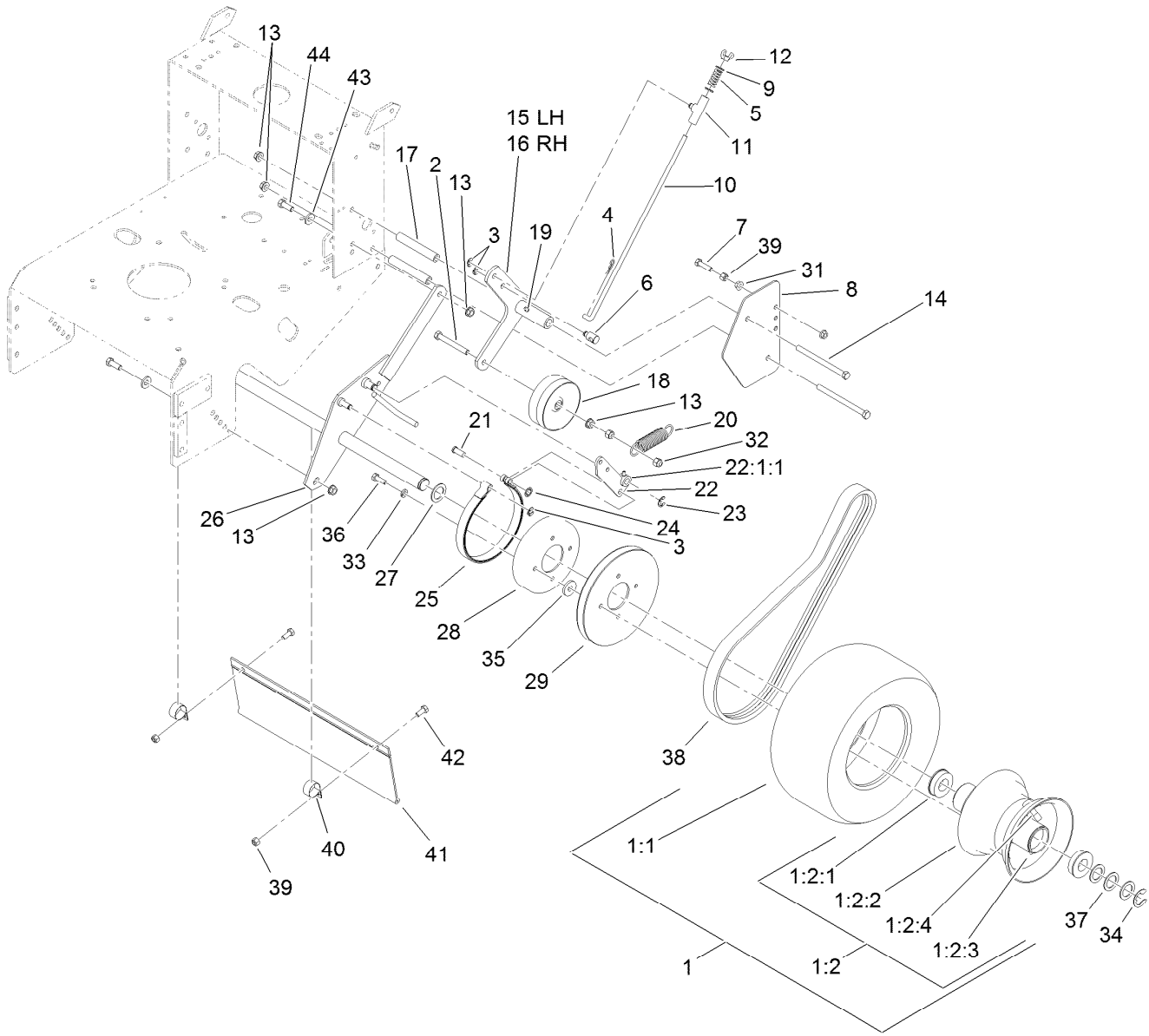
Frame and Transmission Assembly

| Ref. | Part Number | Qty. | Description | Ref. | Part Number | Qty. | Description |
|------|-------------|------|-----------------------|------|-------------|------|-----------------------|
| 1 | 116-6084-01 | 1 | Frame-Gear | 22 | 1-323630 | 1 | V-Belt |
| 2 | 1-323252 | 2 | Bearing-Shaft | 23 | 3245-41 | 2 | Screw-HSH |
| 3 | 1-323254 | 2 | Flange-Output | 24 | 1-323278 | 1 | Sheave-Transmission |
| 4 | 3246-18 | 2 | Setscrew | 25 | 302-19 | 2 | Fitting-Grease |
| 5 | 103-6512 | 2 | Sheave-Transmission | 26 | 137-4105 | 1 | Transmission-5 Speed |
| 6 | 321-3 | 4 | Screw-HH | 27 | 3230-1 | 2 | Bolt-CARR |
| 7 | 3296-42 | 5 | Nut-Lock, NI | 28 | 1-323387-03 | 1 | Plate-Shift |
| 8 | 321-4 | 1 | Screw-HH | 29 | 105-4104 | 1 | Decal-Speed, Ground |
| 9 | 1-323430 | 1 | Module-Interlock | 30 | 1-303020 | 1 | Grip-Lever |
| 10 | 1-513762 | 1 | Clip-Loom | 31 | 98-3274-03 | 1 | Lever-Shift |
| 11 | 3256-22 | 1 | Washer-Flat | 32 | 98-5975 | 1 | Washer-Belleville |
| 12 | 1-303335 | 3 | Tie-Plastic | 33 | 3296-6 | 1 | Nut-Lock |
| 13 | 322-3 | 4 | Screw-HH | 34 | 1-303282 | 1 | Switch-Start, Neutral |
| 14 | 1-805005 | 4 | Washer-Lock | 35 | 1-323379 | 1 | Washer |
| 15 | 1-633181 | 1 | Plate-Tapped | 36 | 104-8300 | 2 | Nut-HF, NI |
| 16 | 1-513051 | 1 | Switch-Open, Normally | 37 | 32144-11 | 4 | Screw-HWH |
| 17 | 32151-62 | 2 | Ring-Retaining | 38 | 1-603403 | 1 | Bolt-Shoulder |
| 18 | 3257-5 | 3 | Key-Woodruff | 39 | 1-323389-03 | 2 | Bracket-Plate, Shift |
| 19 | 1-323502 | 2 | Shaft-Transmission | 40 | 1-806003 | 2 | Pin-Cotter |
| 20 | 51-4220 | 2 | Guard-Coupler | 41 | 1-303186 | 1 | Bellcrank |
| 21 | 1-323680 | 2 | Coupler | 42 | 3290-357 | 1 | Nut-HHF, Whiz |



Frame and Transmission Assembly (continued)

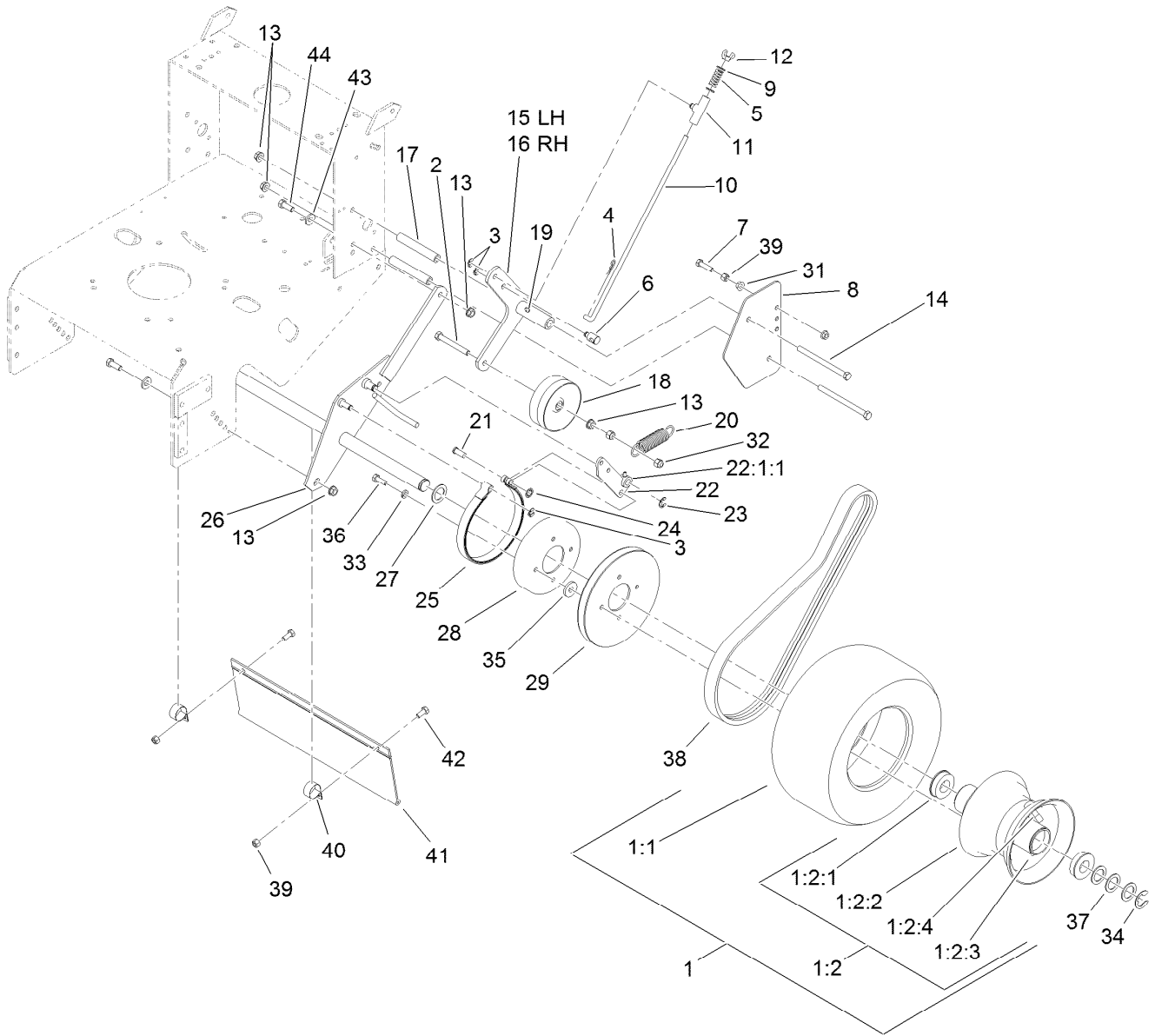
| <i>Ref.</i> | <i>Part Number</i> | <i>Qty.</i> | <i>Description</i> | <i>Ref.</i> | <i>Part Number</i> | <i>Qty.</i> | <i>Description</i> |
|-------------|--------------------|-------------|--------------------|-------------|--------------------|-------------|------------------------|
| 43 | 1-303105 | 1 | Yoke-Adjustable | 48 | 1-323303 | 1 | Arm-Assist, Linkage |
| 44 | 3290-500 | 2 | Screw-PPH | 49 | 132-4708 | 1 | Decal-Caution, Gearbox |
| 45 | 1-543296 | 1 | Grommet | 50 | 132-4712 | 1 | Hang Tag-Gearbox |
| 46 | 1-808280 | 1 | Pin-Clevis | | | | |



Drive Wheel and Brake Assembly

| Ref. | Part Number | Qty. | Description | Ref. | Part Number | Qty. | Description |
|-------|-------------|------|----------------------|--------|-------------|------|--------------------------|
| 1 | 130-8365 | 2 | Wheel And Tire ASM | 13 | 3290-357 | 10 | Nut-HHF, Whiz |
| 1:1 | 130-8368 | 1 | Tire | 14 | 323-39 | 4 | Screw-HH |
| 1:2 | 130-4566 | 1 | Wheel And Hub ASM | 15 | 116-7542-03 | 1 | Arm-Idler, LH |
| 1:2:1 | 1-323329 | 2 | Bearing-Flanged | 16 | 116-7543-03 | 1 | Arm-Idler, RH |
| 1:2:2 | | 1 | Rim ASM ● | 17 | 1-323283 | 4 | Spacer-Shield |
| 1:2:3 | | 1 | Fitting-Grease ● | 18 | 1-323352 | 2 | Idler-Wheel, Drive |
| 1:2:4 | | 1 | Valve Stem And Cap ● | 19 | 302-19 | 2 | Fitting-Grease |
| 2 | 99-8664 | 2 | Screw-HH | 20 | 1-603402 | 2 | Spring-Extension |
| 3 | 32151-47 | 6 | Ring-Retaining | 21 | 1-323307 | 2 | Pin-Clevis |
| 4 | 1-806003 | 2 | Pin-Cotter | 22 | 103-1611-03 | 2 | Arm-Brake |
| 5 | 1-323245 | 2 | Spring-Compression | 22:1:1 | 1-324154 | 1 | Bushing-Zerk |
| 6 | 103-1864 | 2 | Swivel-Lever, Drive | 23 | 32120-47 | 2 | Ring-Retaining, External |
| 7 | 116-3515 | 2 | Screw-HH, Special | 24 | 1-803051 | 2 | Ring-Retain |
| 8 | 1-323287-01 | 2 | Shield-Wheel, Drive | 25 | 1-323262 | 2 | Band-Brake |
| 9 | 3256-23 | 4 | Washer-Plain | 26 | 1-322141-03 | 1 | Axle |
| 10 | 132-4723 | 2 | Linkage-Brake | 27 | 1-543436 | 2 | Washer-Spacer |
| 11 | 110-5866 | 2 | Swivel-Brake | 28 | 1-323261 | 2 | Drum-Brake |
| 12 | 1-513959 | 2 | Wingnut-Nylock | 29 | 1-323349 | 2 | Sheave-Wheel, Drive |

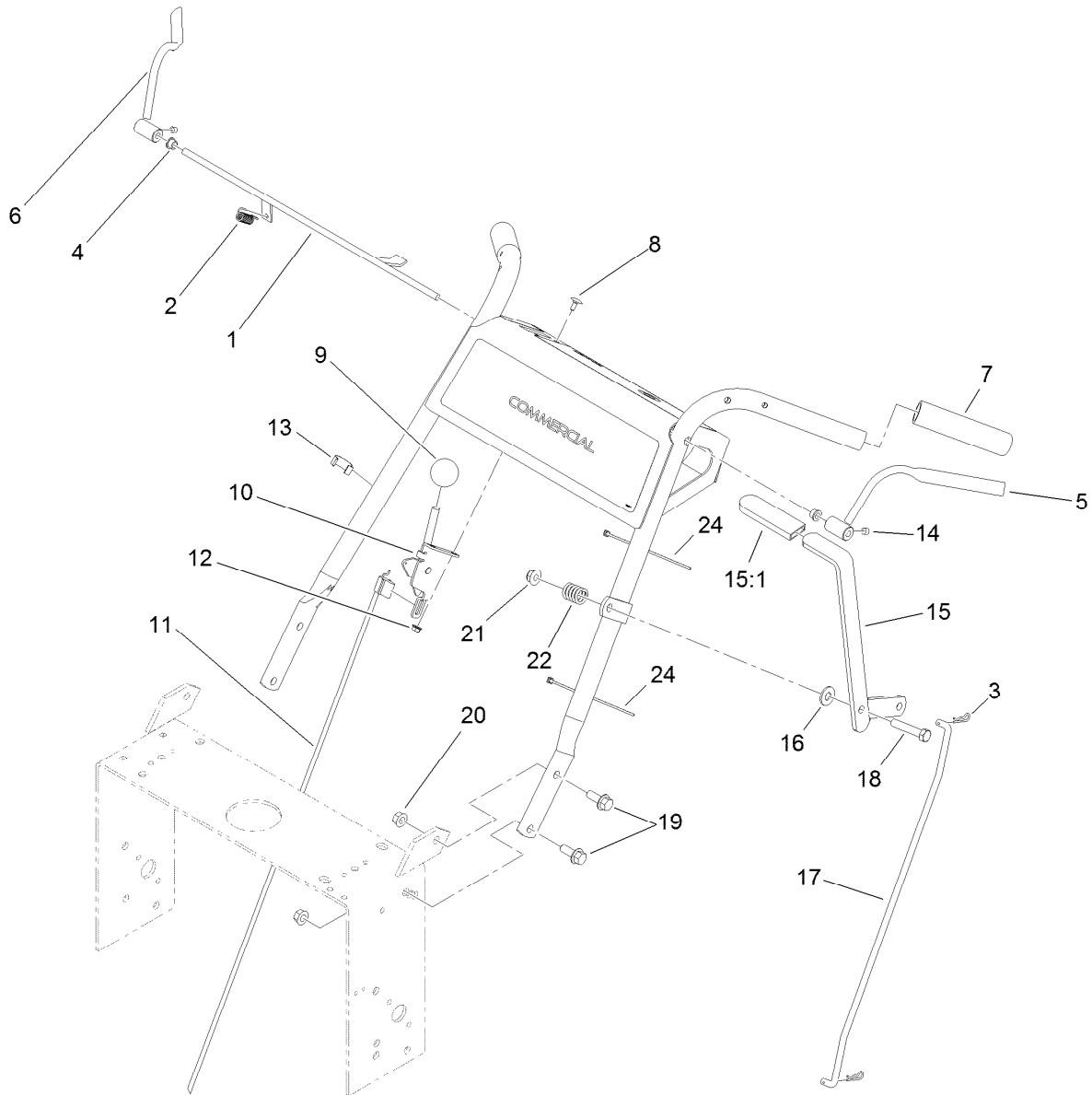
● Not serviced separately



Drive Wheel and Brake Assembly (continued)

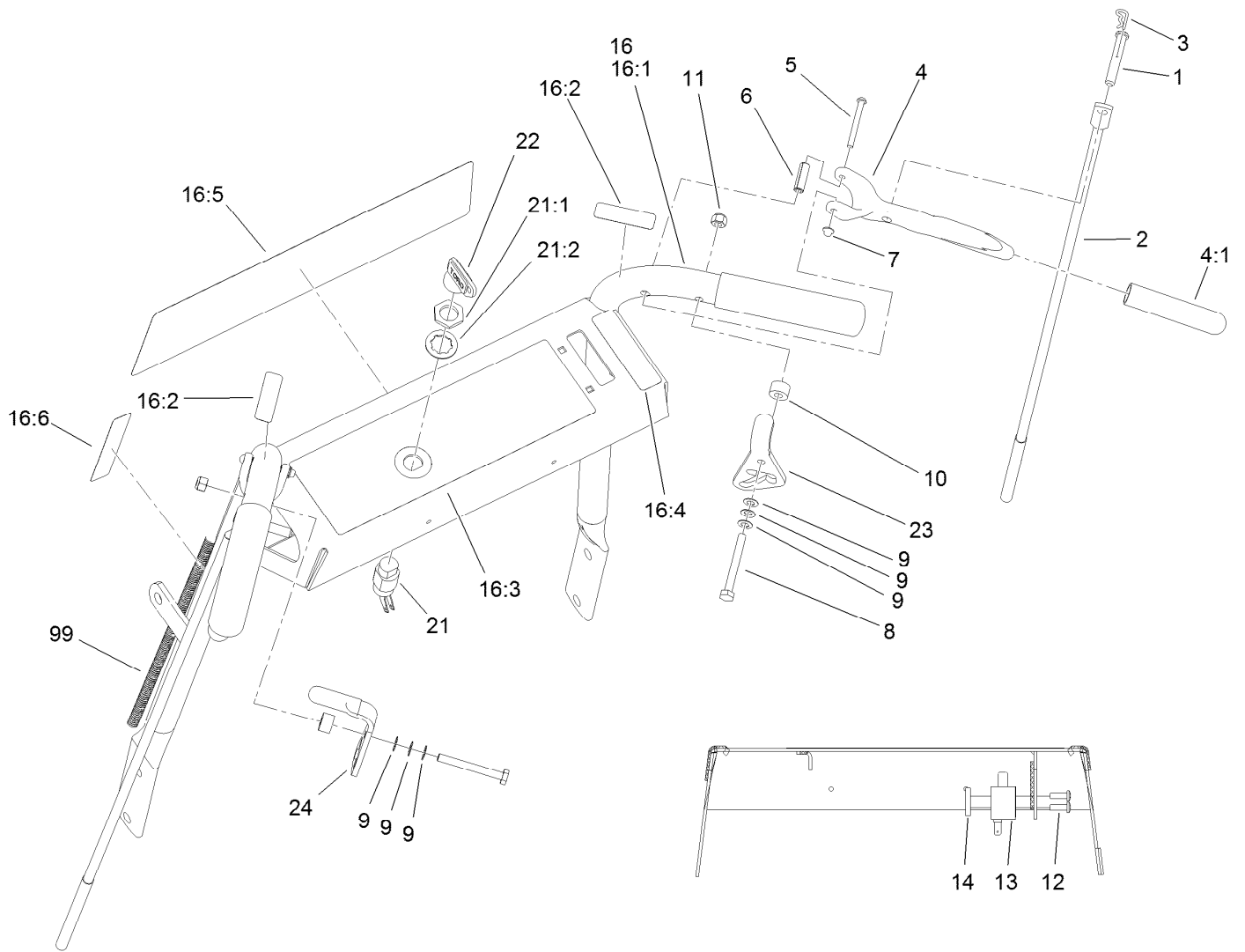
| Ref. | Part Number | Qty. | Description | Ref. | Part Number | Qty. | Description |
|------|-------------|------|---------------|------|-------------|------|-------------------|
| 31 | 32128-20 | 4 | Nut-HF | 38 | 1-323744 | 2 | Belt-Drive, Wheel |
| 32 | 3296-39 | 4 | Nut-Lock, NI | 39 | 3296-29 | 4 | Nut-Lock, NI |
| 33 | 1-805005 | 8 | Washer-Lock | 40 | 2412-104 | 2 | Clamp-R |
| 34 | 1-808519 | 2 | Ring-Snap | 41 | 98-3259 | 1 | Shield-Trailing |
| 35 | 1-373034 | 8 | Washer | 42 | 322-3 | 2 | Screw-HH |
| 36 | 322-5 | 8 | Screw-HH | 43 | 98-5975 | 4 | Washer-Belleville |
| 37 | 1-523157 | 6 | Washer-Spacer | 44 | 323-6 | 4 | Screw-HH |

● Not serviced separately



Handle Control Assembly

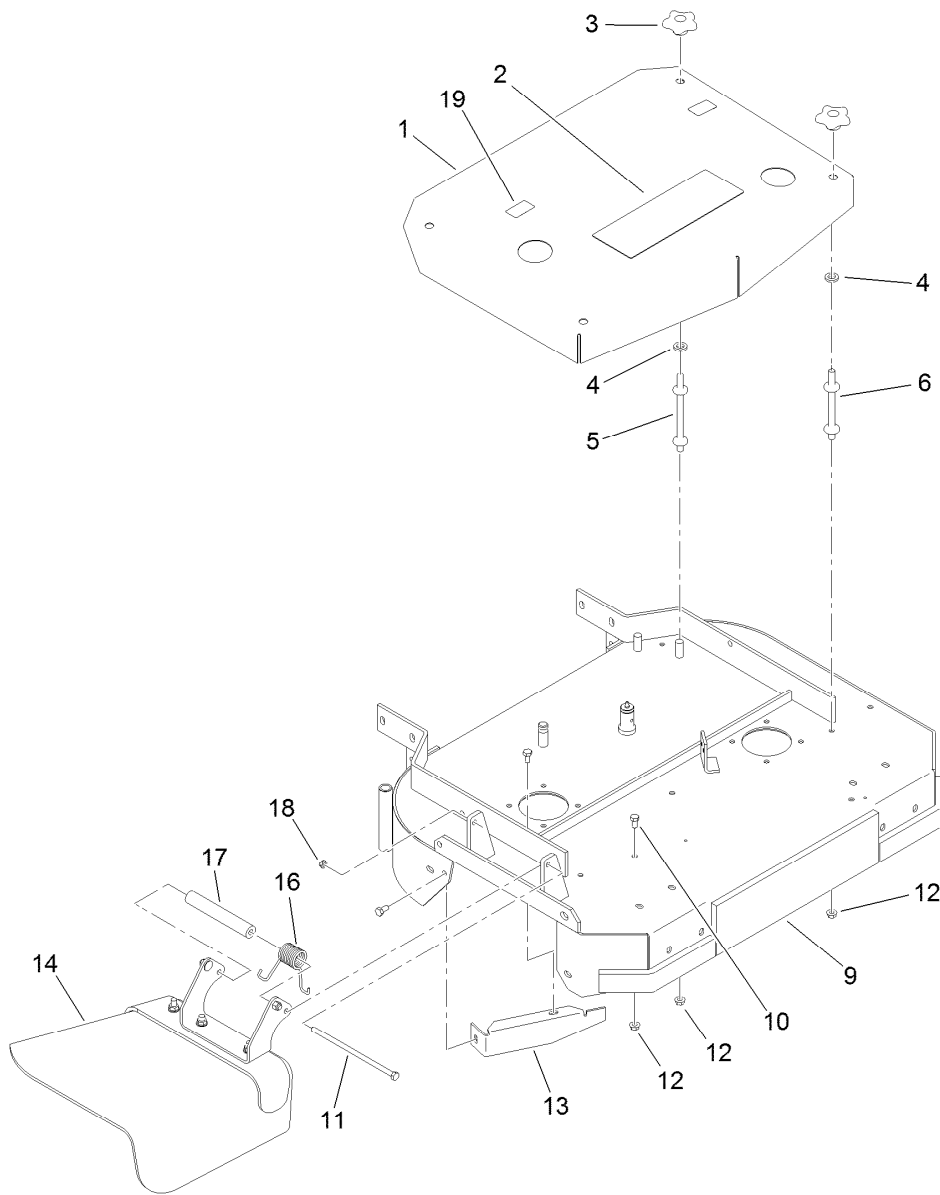
| <i>Ref.</i> | <i>Part Number</i> | <i>Qty.</i> | <i>Description</i> | <i>Ref.</i> | <i>Part Number</i> | <i>Qty.</i> | <i>Description</i> |
|-------------|--------------------|-------------|--|-------------|--------------------|-------------|----------------------|
| 1 | 106-2717-03 | 1 | Rod-CTRL, Operator Presence | 12 | 32128-17 | 2 | Nut-Lock, Flange |
| 2 | 1-303363 | 1 | Spring-Extension | 13 | 1-303088 | 1 | Clip-Cable |
| 3 | 1-806003 | 2 | Pin-Cotter | 14 | 1-803322 | 2 | Screw-Set |
| 4 | 1-303365 | 2 | Bushing-Nylon | 15 | 116-6331 | 1 | Lever ASM |
| 5 | 106-5485 | 1 | LH Operator Presence Control Lever ASM | 15:1 | 1-303020 | 1 | Grip-Lever |
| 6 | 106-5486 | 1 | RH Operator Presence Control Lever ASM | 16 | 3256-4 | 1 | Washer-Flat |
| 7 | 104-9838 | 2 | Grip-Foam | 17 | 1-323298 | 1 | Linkage-Blade, Upper |
| 8 | 1-807513 | 2 | Bolt-CARR | 18 | 323-10 | 1 | Screw-HH |
| 9 | 1-603175 | 1 | Knob-Ball | 19 | 32128-21 | 4 | Nut-HF |
| 10 | 110-5547 | 1 | Lever-Control | 20 | 3234-11 | 4 | Screw-HHF |
| 11 | 119-1823 | 1 | Cable-Control, Throttle | 21 | 104-8301 | 1 | Nut-HF, NI |
| | | | | 22 | 1-303160 | 1 | Spring-Compression |
| | | | | 24 | 1-303287 | 2 | Tie-Cable |



Handle Assembly

| Ref. | Part Number | Qty. | Description | Ref. | Part Number | Qty. | Description |
|------|-------------|------|-----------------------|------|-------------|------|--------------------------|
| 1 | 1-808286 | 2 | Pin-Clevis | 16 | 119-3638 | 1 | Handle ASM |
| 2 | 1-323359 | 2 | Linkage-Wheel, Drive | 16:1 | | 1 | Pistol Grip Handle ASM ● |
| 3 | 1-806003 | 2 | Pin-Cotter | 16:2 | 130-8371 | 2 | Decal-Lock, Neutral |
| 4 | 1-302006 | 2 | Drive Lever ASM | 16:3 | 130-8373 | 1 | Decal-Warning |
| 4:1 | 1-303021 | 1 | Grip-Lever, Drive | 16:4 | 106-2733 | 1 | Decal-Throttle |
| 5 | 1-808250 | 2 | Pin-Lever, Drive | 16:5 | 110-6917 | 1 | Decal |
| 6 | 1-806340 | 2 | Pin-Roll | 16:6 | 95-5537 | 1 | Decal-Engage, Deck |
| 7 | 1-803001 | 2 | Nut-Push | 21 | 29-5560 | 1 | Switch-On / Off |
| 8 | 321-18 | 2 | Screw-HH | 21:1 | 218-461 | 1 | Nut-HH |
| 9 | 1-303435 | 6 | Washer-Spring | 21:2 | 3254-5 | 1 | Washer-Lock |
| 10 | 1-323549 | 2 | Spacer | 22 | 63-8360 | 1 | Key-Ignition |
| 11 | 3296-42 | 2 | Nut-Lock, NI | 23 | 137-9507 | 1 | Latch-RH Thumb,W/Grip |
| 12 | 3290-500 | 2 | Screw-PPH | 24 | 137-9508 | 1 | Latch-LH Thumb,W/Grip |
| 13 | 1-513051 | 1 | Switch-Open, Normally | 99 | 116-2661 | 1 | Harness-Wire |
| 14 | 1-633181 | 1 | Plate-Tapped | | | | |

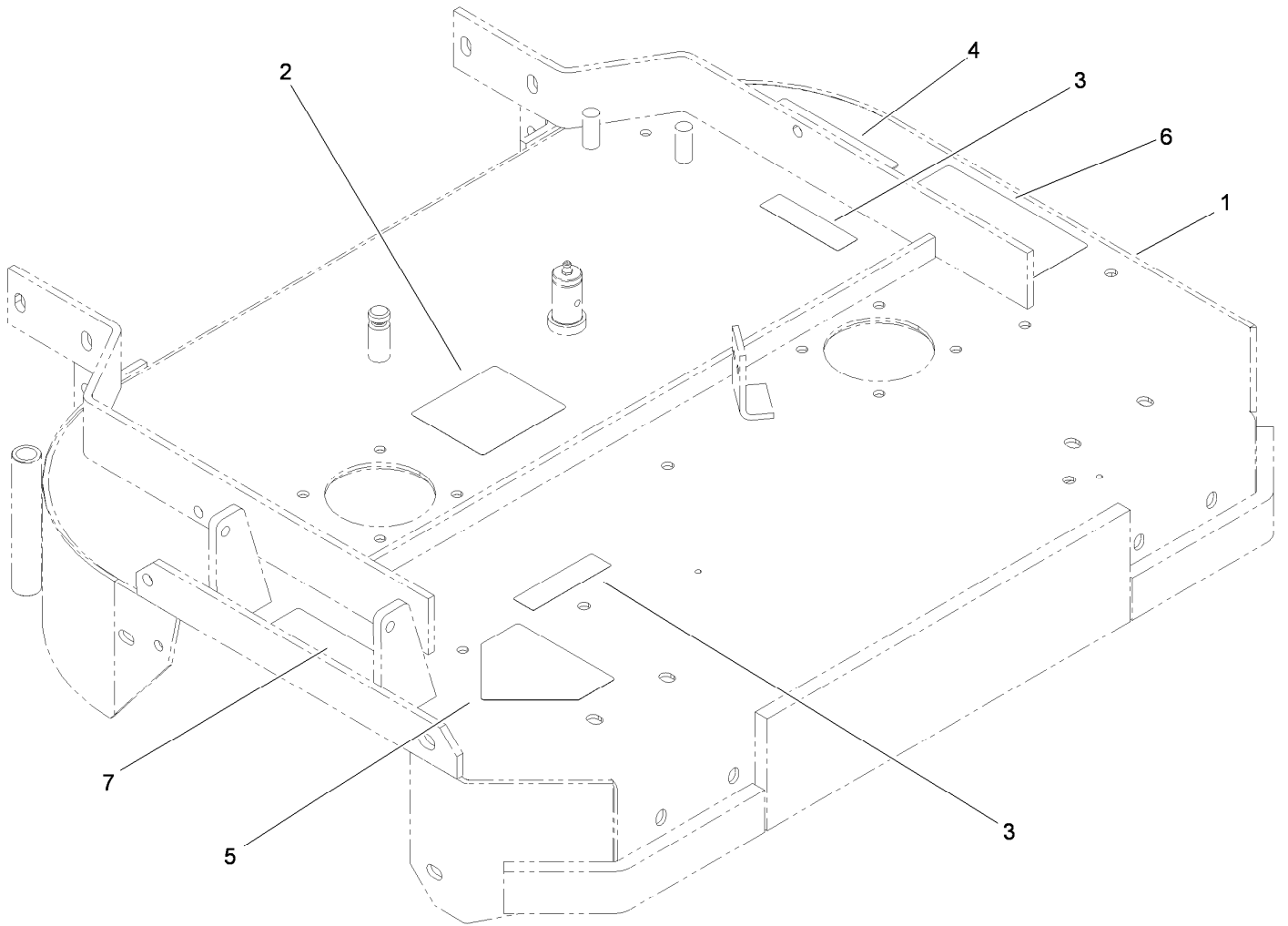
● Not serviced separately



Deck and Shield Assembly

| <i>Ref.</i> | <i>Part Number</i> | <i>Qty.</i> | <i>Description</i> |
|-------------|--------------------|-------------|---------------------------|
| 1 | 1-322149-01 | 1 | Shield ASM |
| 2 | 106-0710 | 1 | Decal |
| 3 | 106-4161 | 4 | Knob-Handle |
| 4 | 1-323417 | 4 | Washer |
| 5 | 1-303536 | 2 | Stud-Shield, Belt (Long) |
| 6 | 1-303537 | 2 | Stud-Shield, Belt (Short) |
| 9 | 110-6901 | 1 | 32 Inch Deck ASM |
| 10 | 322-2 | 7 | Screw-HH |

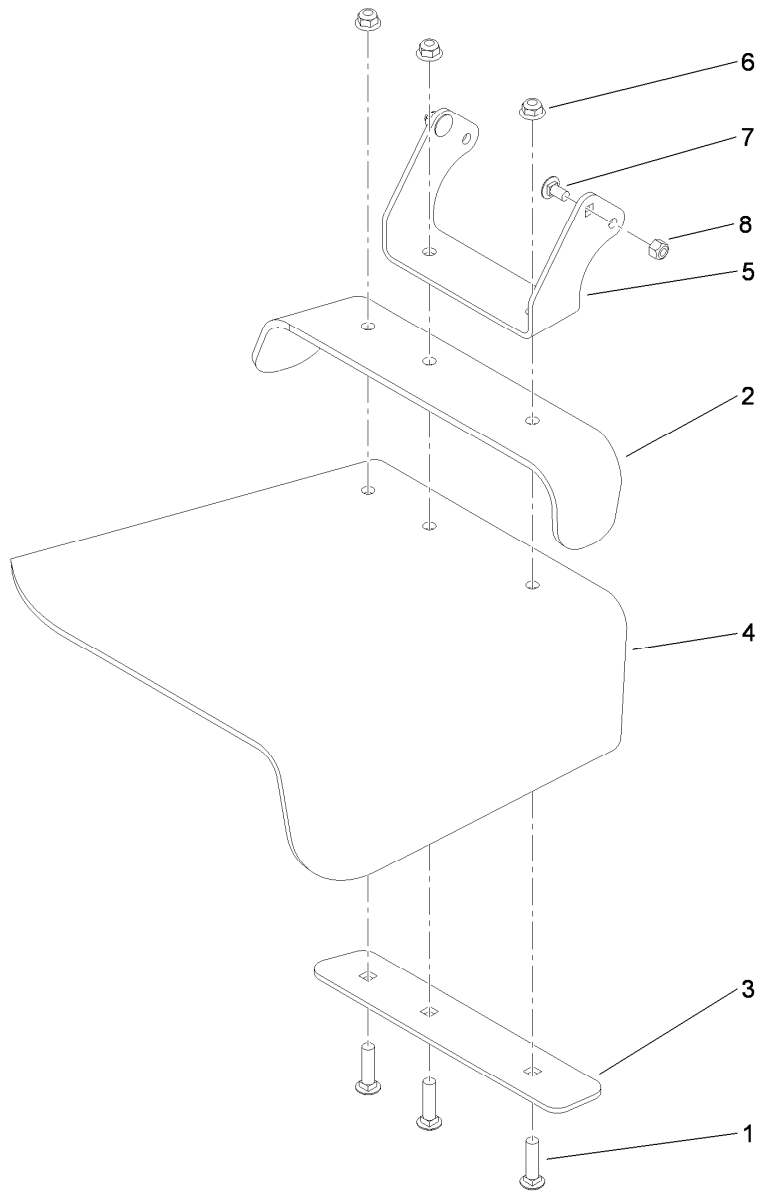
| <i>Ref.</i> | <i>Part Number</i> | <i>Qty.</i> | <i>Description</i> |
|-------------|--------------------|-------------|--------------------|
| 11 | 322-50 | 1 | Screw-HH |
| 12 | 32128-20 | 11 | Nut-HF |
| 13 | 116-1730-01 | 1 | Baffle-Dogleg |
| 14 | 119-6529 | 1 | Deflector ASM |
| 16 | 108-4052 | 1 | Spring-Torsion |
| 17 | 105-4622 | 1 | Spacer |
| 18 | 3296-47 | 1 | Nut-Lock, NI |
| 19 | 106-5517 | 2 | Decal-Warning |



Deck Decal Assembly No. 110-6901

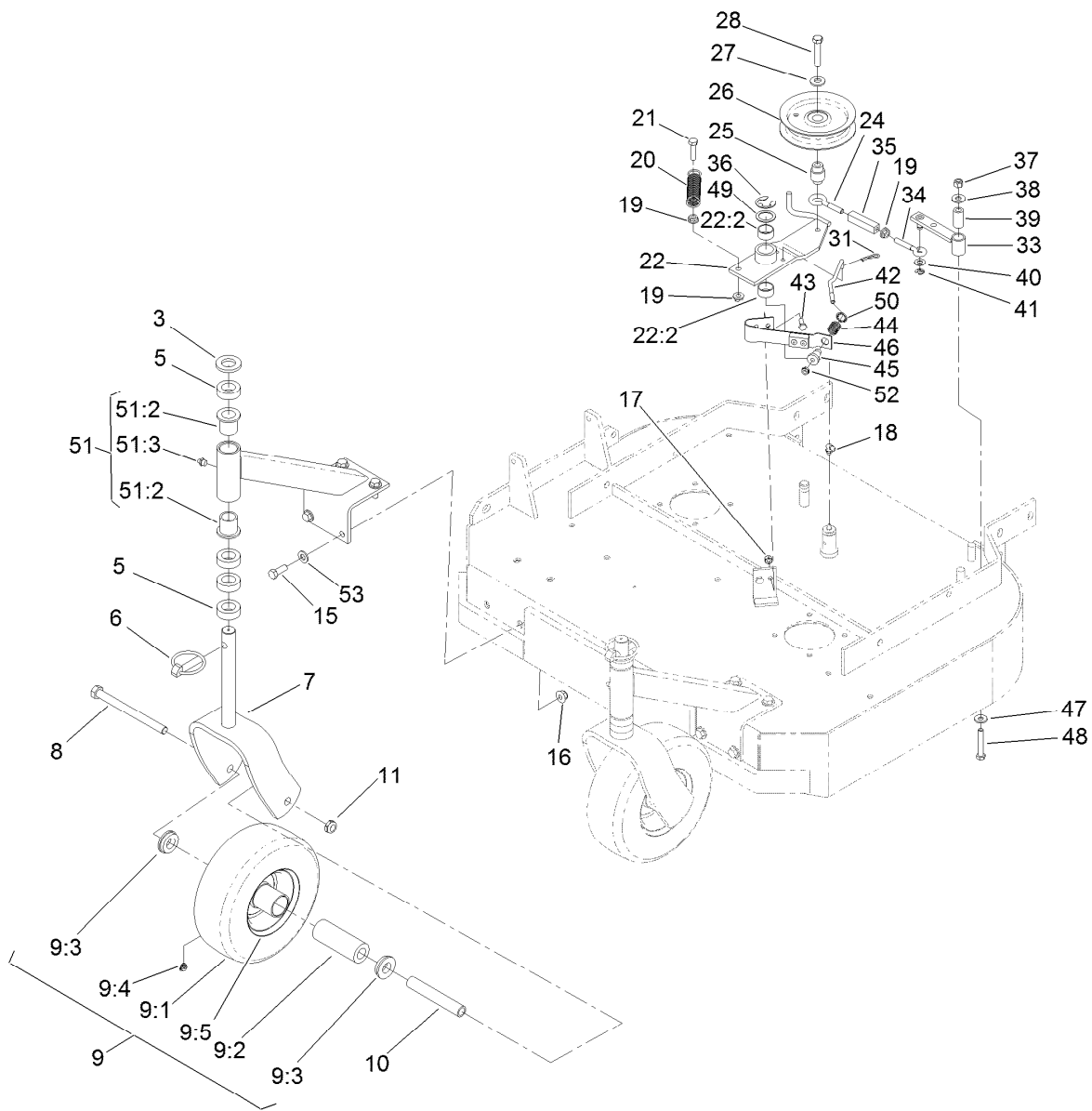
| <i>Ref.</i> | <i>Part Number</i> | <i>Qty.</i> | <i>Description</i> |
|-------------|--------------------|-------------|----------------------|
| 1 | | 1 | Deck ● |
| 2 | 98-3296 | 1 | Decal-Routing, Belt |
| 3 | 112-9028 | 2 | Decal-Cover, Missing |
| 4 | 98-5130 | 1 | Decal-Torque, Bolt |
| 5 | 112-8760 | 1 | Decal-Danger |
| 6 | 93-7010 | 1 | Decal-Danger |
| 7 | 121-6049 | 1 | Decal-Danger |

● Not serviced separately



Deflector Assembly No. 119-6529

| <i>Ref.</i> | <i>Part Number</i> | <i>Qty.</i> | <i>Description</i> |
|-------------|--------------------|-------------|-----------------------------|
| 1 | 3231-4 | 3 | Screw-CARR |
| 2 | 107-4138-01 | 1 | Strap-Deflector, Top |
| 3 | 107-4139-01 | 1 | Strap-Discharge |
| 4 | 107-4137 | 1 | Deflector-Rubber |
| 5 | 119-6532-01 | 1 | Bracket-Mounting, Deflector |
| 6 | 104-8301 | 3 | Nut-HF, NI |
| 7 | 3230-18 | 2 | Screw-CARR |
| 8 | 3296-29 | 2 | Nut-Lock, NI |

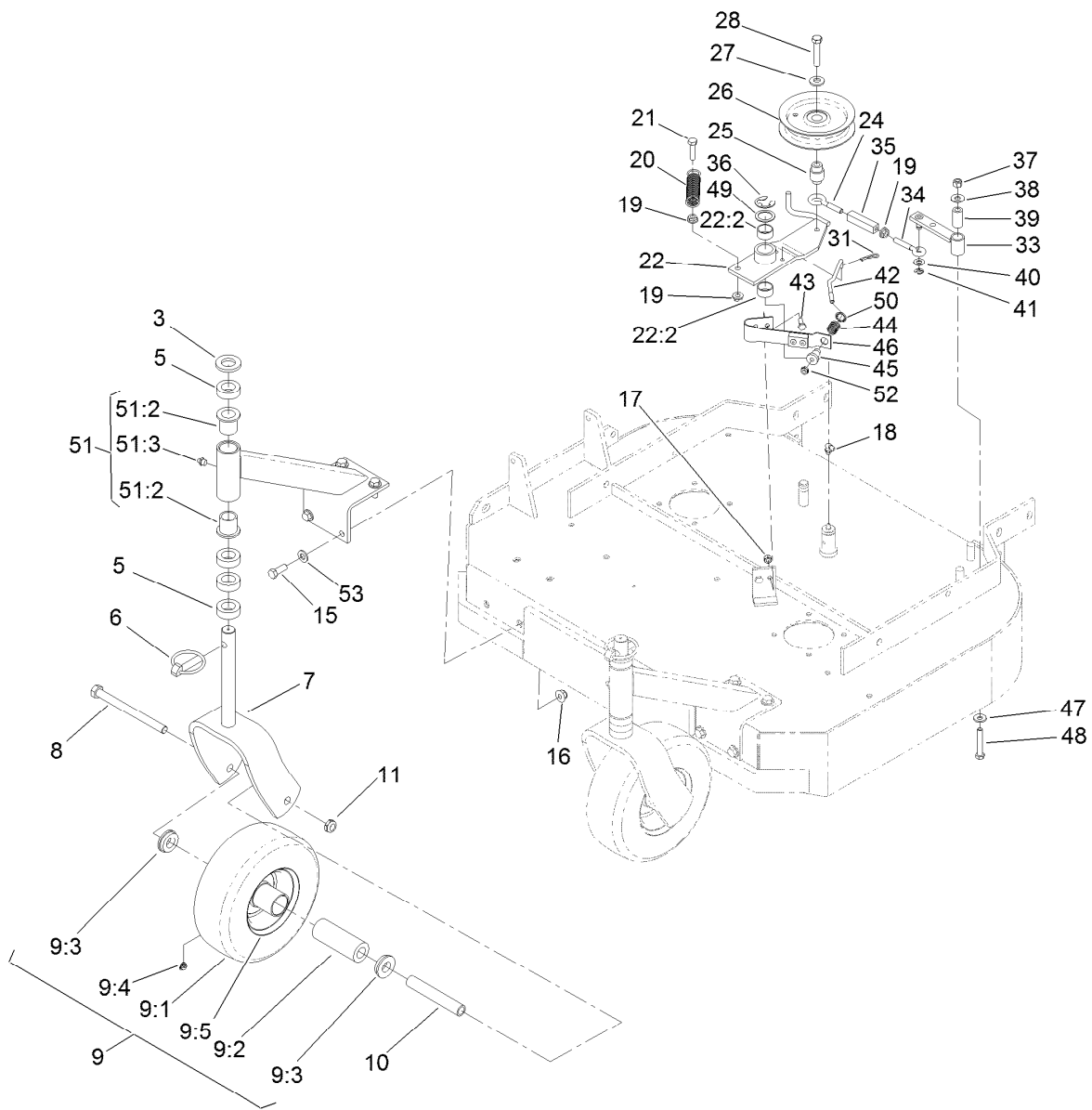


Idler Arm and Caster Wheel Assembly

| Ref. | Part Number | Qty. | Description | Ref. | Part Number | Qty. | Description |
|------|-------------|------|------------------------|------|-------------|------|---------------------|
| 3 | 1-513338 | 2 | Washer-Flat | 20 | 1-323071 | 1 | Spring-Extension |
| 5 | 1-303314 | 8 | Spacer-Caster | 21 | 116-3515 | 1 | Screw-HH, Special |
| 6 | 1-809020 | 2 | Pin | 22 | 103-3600 | 1 | Idler Arm ASM |
| 7 | 116-7942-01 | 2 | Fork-Caster | 22:2 | 1-323729 | 2 | Sleeve-Bearing |
| 8 | 325-20 | 2 | Screw-HH | 24 | 1-303348 | 1 | Eyebolt-Thread, LH |
| 9 | 130-4557 | 2 | Wheel And Tire ASM | 25 | 1-303434 | 1 | Bushing-Engagement |
| 9:1 | | 1 | Tire ■ | 26 | 132-4718 | 1 | Pulley-Idler, Flat |
| 9:2 | 1-513809 | 1 | Bearing | 27 | 98-5975 | 1 | Washer-Belleville |
| 9:3 | 1-513810 | 2 | Bushing | 28 | 702809 | 1 | Screw-HH |
| 9:4 | 302-61 | 1 | Fitting-Grease | 31 | 1-806003 | 1 | Pin-Cotter |
| 9:5 | | 1 | Wheel ■ | 33 | 1-322235 | 1 | Arm-Assist, 32/36 |
| 10 | 1-513547 | 2 | Spacer | 34 | 1-303238 | 1 | Eyebolt-Thread, RH |
| 11 | 3296-45 | 2 | Nut-Hex | 35 | 1-303236 | 1 | Body-Turnbuckle |
| 15 | 323-6 | 8 | Screw-HH | 36 | 32151-103 | 1 | Ring-Retaining, EXT |
| 16 | 104-8301 | 8 | Nut-HF, NI | 37 | 3296-29 | 1 | Nut-Lock, NI |
| 17 | 3296-42 | 2 | Nut-Lock, NI | 38 | 3256-3 | 1 | Washer-Flat |
| 18 | 302-40 | 1 | Fitting-Grease, 90 DEG | 39 | 1-403179 | 1 | Tube-Pivot |
| 19 | 32128-20 | 3 | Nut-HF | 40 | 3256-23 | 1 | Washer-Plain |

● Not illustrated

■ Not serviced separately

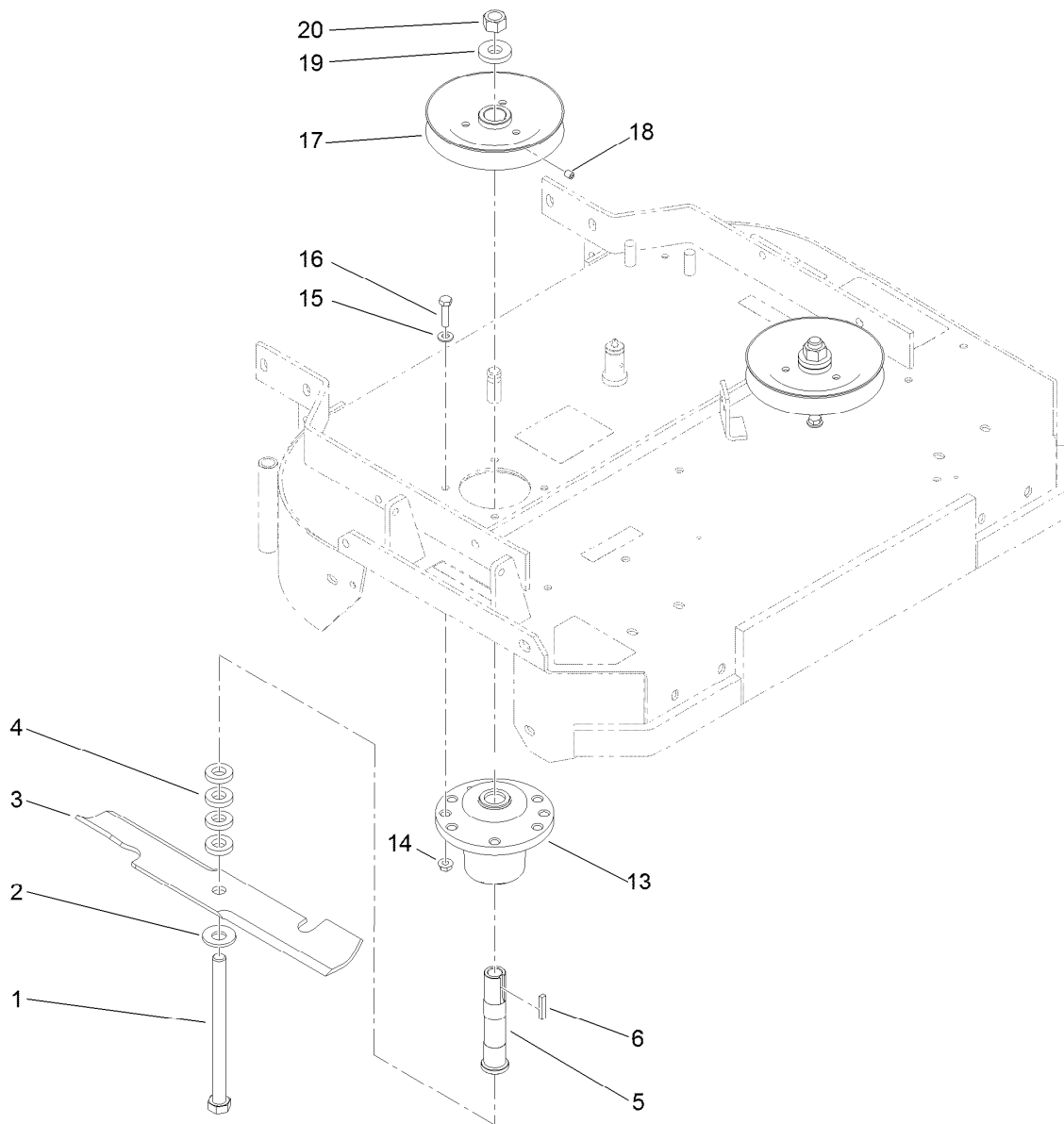


Idler Arm and Caster Wheel Assembly (continued)

| Ref. | Part Number | Qty. | Description | Ref. | Part Number | Qty. | Description |
|------|-------------|------|---------------------|------|-------------|------|-----------------|
| 41 | 32120-35 | 1 | Ring-Retaining, EXT | 47 | 1-303334 | 1 | Washer-Spring |
| 42 | 1-323718 | 1 | Rod-Brake | 48 | 322-10 | 1 | Screw-HH |
| 43 | 321-4 | 2 | Screw-HH | 49 | 1-303352 | 1 | Washer-Spindle |
| 44 | 1-323747 | 1 | Spring-Compression | 50 | 1-323748 | 1 | Ring-Push On |
| 45 | 1-323746 | 1 | Spacer-Flanged | 51 | 1-302203 | 2 | Support ASM |
| 46 | 1-324372 | 1 | Pad And Spring ASM | 51:2 | 1-303514 | 2 | Bearing-Flanged |
| 46:1 | 1-323709 | 1 | Pad-Brake ● | 51:3 | 302-52 | 1 | Fitting-Grease |
| 46:2 | 1-323710 | 1 | Spring ● | 52 | 3296-56 | 1 | Nut-Lock, NI |
| 46:3 | 103-0138 | 2 | Rivet-Pop ● | 53 | 3256-24 | 8 | Washer-Flat |

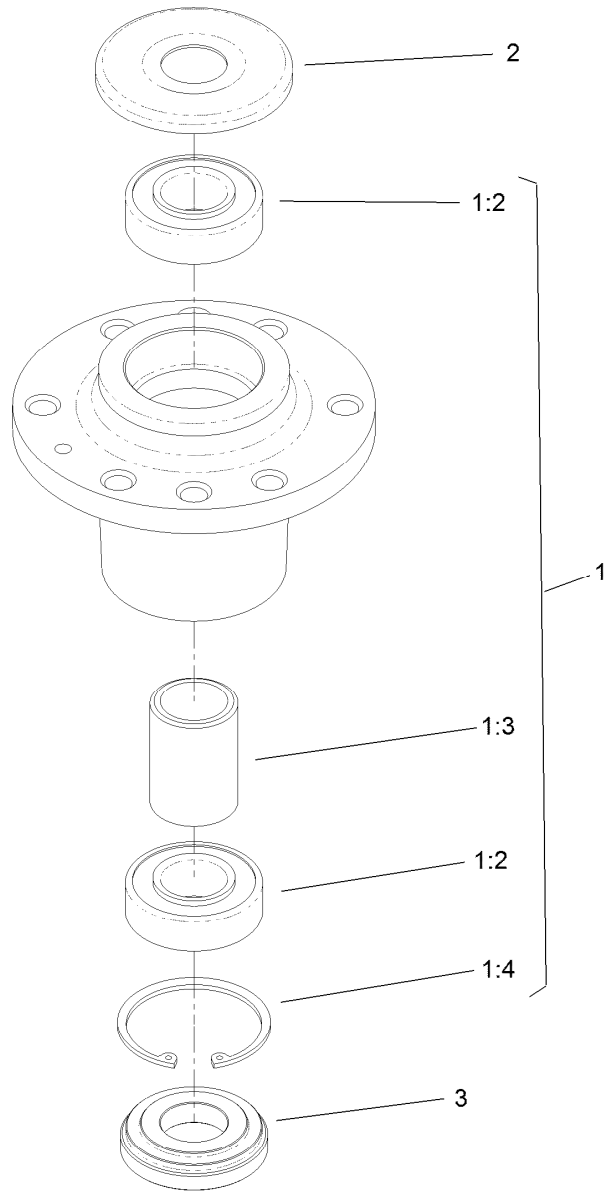
● Not illustrated

■ Not serviced separately



Spindle and Blade Assembly

| <i>Ref.</i> | <i>Part Number</i> | <i>Qty.</i> | <i>Description</i> |
|-------------|--------------------|-------------|-------------------------|
| 1 | 1-800861 | 2 | Screw-Cap, HH |
| 2 | 1-513208 | 2 | Washer-Spring |
| 3 | 103-2527 | 2 | Blade-Notched |
| 4 | 1-323539 | 8 | Spacer |
| 5 | 1-323529 | 2 | Tube-Spindle, Short |
| 6 | 1-807267 | 2 | Key |
| 13 | 107-4065 | 2 | Cutter Housing ASM |
| 14 | 32128-20 | 8 | Nut-HF |
| 15 | 1-303334 | 8 | Washer-Spring |
| 16 | 322-6 | 8 | Screw-HH |
| 17 | 1-403183 | 2 | Sheave |
| 18 | 3246-18 | 2 | Setscrew |
| 19 | 1-323339 | 2 | Washer-Retainer, Sheave |
| 20 | 3219-6 | 2 | Nut-Hex |



Cutter Housing Assembly No. 107-4065

| <i>Ref.</i> | <i>Part Number</i> | <i>Qty.</i> | <i>Description</i> |
|-------------|--------------------|-------------|----------------------|
| 1 | | 1 | Cutter Housing ASM ● |
| 1:2 | 103-2477 | 2 | Bearing-Jackshaft |
| 1:3 | 103-2534 | 1 | Spacer-Bearing |
| 1:4 | 32120-8 | 1 | Ring-Snap |
| 2 | 103-1330 | 1 | Guard-Bearing, Top |
| 3 | 103-2535 | 1 | Spacer-Guard, Bottom |

● Not serviced separately

Attachments and Accessories

For 30632 Commercial Walk-Behind Mower Fixed Deck, Pistol Grip, Gear Drive with 32in Cutting Unit

| Product Name | Model/Part |
|---|-------------------|
| Soft Bag (3 Bushel)..... | 30198 |
| 32in Recycler Kit..... | 110-4915 |
| Atomic Blade and Decal Assembly | 104-8595 |
| 32in and 48in Fixed Deck Low Lift Blades..... | 103-2507 |
| Blade-Notched..... | 103-2527 |
| Blade-Atomic, 16.25in (6 Pack) | 110-0407 |
| Blade-16.25 inch (6 Pack)..... | 108-1119 |
| Weight Kit | 107-4100 |
| Spark Plug | 92-2153 |
| Oil Filter | 119-5852 |
| Fuel Filter..... | 120-2235 |
| Air Filter Element | 120-7447 |
| All Season Synthetic Oil (10W30, QT) | 117-0066 |
| Toro 4-Cycle SAE 30 Oil (32oz Bottle) | 38903 |

Notes:

Notes:

Notes:



Count on it.