



**Count on it.**

**Parts Catalog**

**Commercial Walk-Behind Mower  
Fixed Deck, T-Bar, Gear Drive with 32in  
Cutting Unit**

Model No. 30672—Serial No. 404320000 and Up



# Ordering Replacement Parts

To order replacement parts, please supply the part number, the quantity, and the description of each part desired.

## Understanding Reference Numbers

Each identified part in an illustration has a reference number. The reference number for a part also appears in the parts list, along with other information about the part.

This catalog uses two special reference number formats, one to indicate parts in a service assembly and another to indicate the quantity of a given part in an illustration.

## Service Assembly Reference Numbers

Parts in service assemblies have reference numbers in the form a:b. The a represents the reference number of the entire service assembly and the b represents a sequential number unique to each part within the service assembly.

For example, a wheel assembly might be identified by reference number 6, the tire by 6:1, the valve by 6:2, and the wheel by 6:3. When you order the assembly identified by reference number 6, you receive all parts identified by reference numbers 6:1, 6:2, and 6:3. However, you may also order any part individually. Reference numbers of this type appear in illustration and in parts lists.

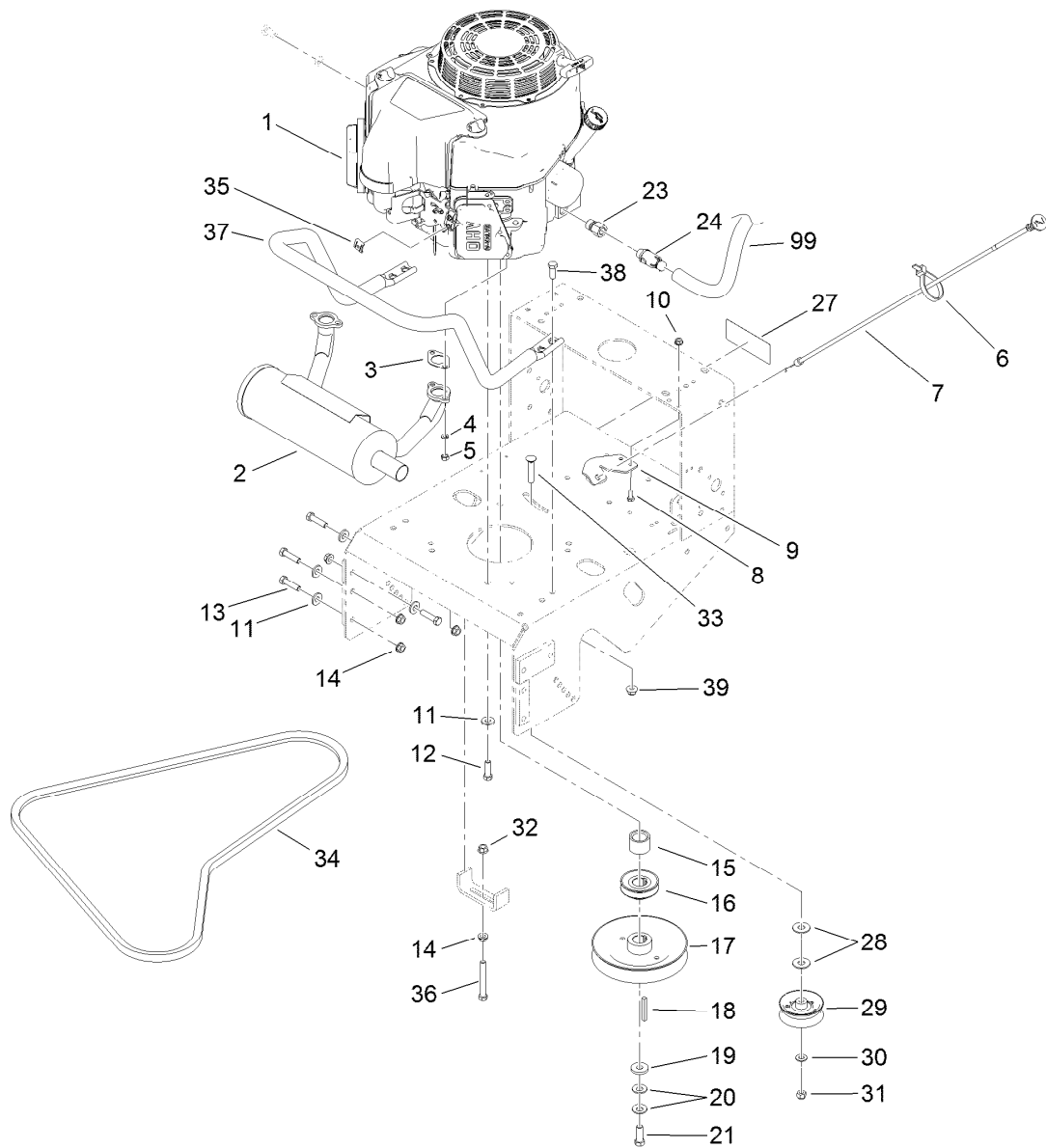
## Reference Numbers Indicating Quantity

In an illustration, if a reference number indicates more than one part, the reference number has the form nX y. The n represents the quantity of the part, the X is the multiplication symbol, and the y represents the reference number.

For example, in an illustration, the reference number 2X 37 means that two of the parts identified by reference number 37 are indicated.

# Contents

Engine and Exhaust Assembly.....	4
Fuel System Assembly .....	5
Frame and Transmission Assembly .....	6
Drive Wheel and Brake Assembly .....	7
Handle and Control Assembly .....	9
Wire Harness Assembly .....	10
Deck and Shield Assembly .....	11
Deck Decal Assembly No. 110-6901.....	12
Deflector Assembly No. 119-6529.....	13
Idler Arm and Caster Wheel Assembly .....	14
Spindle and Blade Assembly .....	16
Cutter Housing Assembly No. 107-4065 .....	17
Attachments and Accessories .....	18

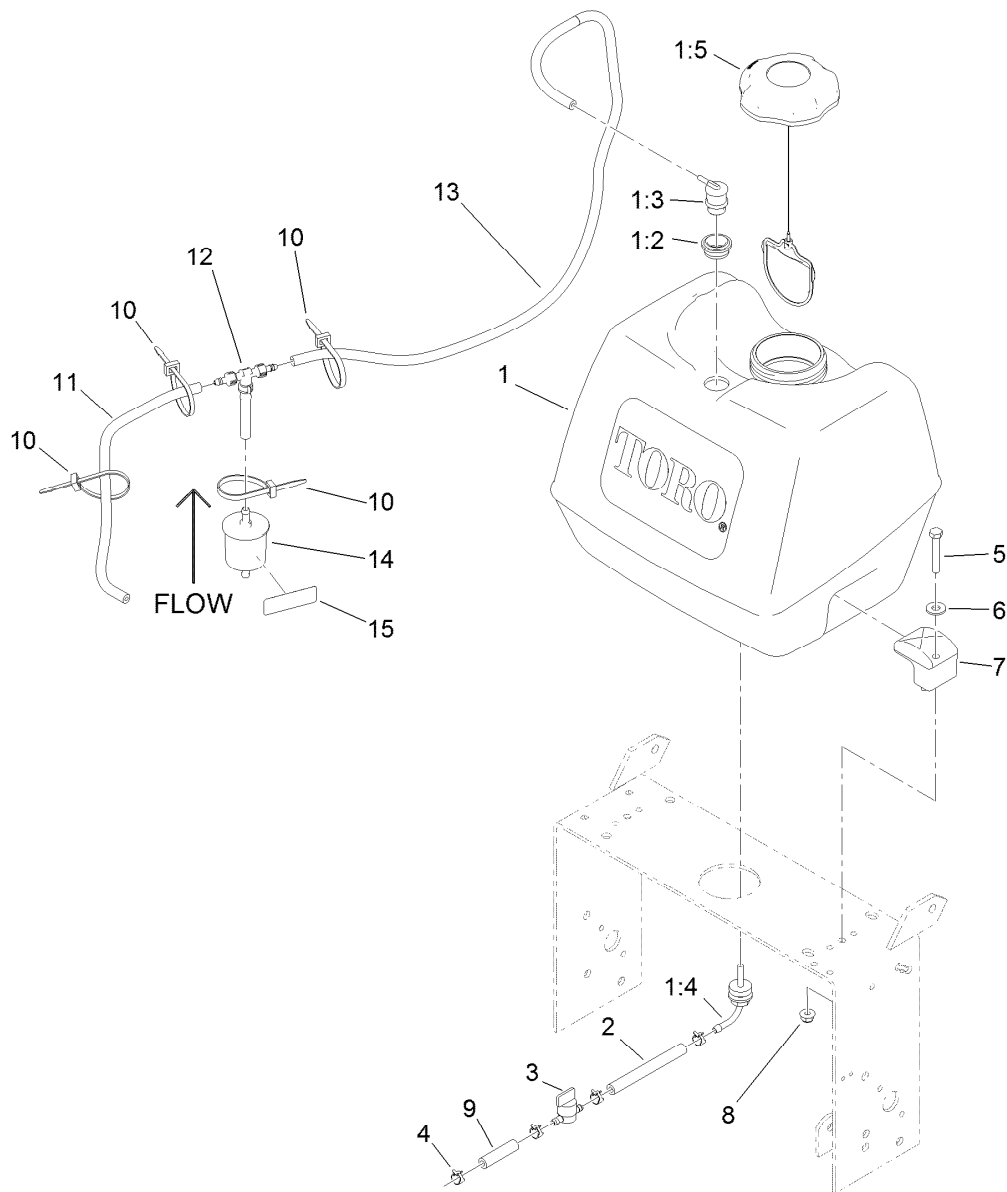


## Engine and Exhaust Assembly

Ref.	Part Number	Qty.	Description	Ref.	Part Number	Qty.	Description
1		1	Engine-Kawasaki, Fs481V-As06 ●■	19	1-373034	1	Washer
2	116-3734	1	Muffler-Horizontal, Offset	20	1-603610	2	Washer-Spring
3	1-653313	2	Gasket-Exhaust	21	116-3702	1	Screw-HH
4	114-3550	4	Washer-Lock	23	103-1966	1	Adapter
5	114-3549	4	Nut	24	120-4321	1	Valve-Drain, Oil
6	1-303287	1	Tie-Cable	27	126-1400	1	Decal-Warning, Sulky
7	103-1796	1	Cable-Choke	28	3256-5	2	Washer-Flat
8	321-3	2	Screw-HH	29	130-8362	1	Pulley-Idler, Flat
9	103-1797-01	1	Bracket-Cable, Choke	30	3256-24	1	Washer-Flat
10	32128-33	2	Nut-HF	31	3296-39	1	Nut-Lock, NI
11	98-5975	12	Washer-Belleville	32	32128-21	1	Nut-HF
12	323-7	4	Screw-HH	33	3231-6	1	Screw-CARR
13	323-8	8	Screw-HH	34	1-323745	1	Belt-V
14	3290-357	9	Nut-HHF, Whiz	35	81-1690	1	Clamp-Cable
15	1-633453	1	Spacer-Clutch	36	323-14	1	Screw-HH
16	103-1666	1	Sheave-Transmission	37	116-6278-03	1	Guard-Muffler
17	103-1667	1	Sheave	38	323-6	4	Screw-HH
18	103-4177	1	Key	39	104-8301	4	Nut-HF, NI
				99	103-1964	1	Hose-Drain, Oil

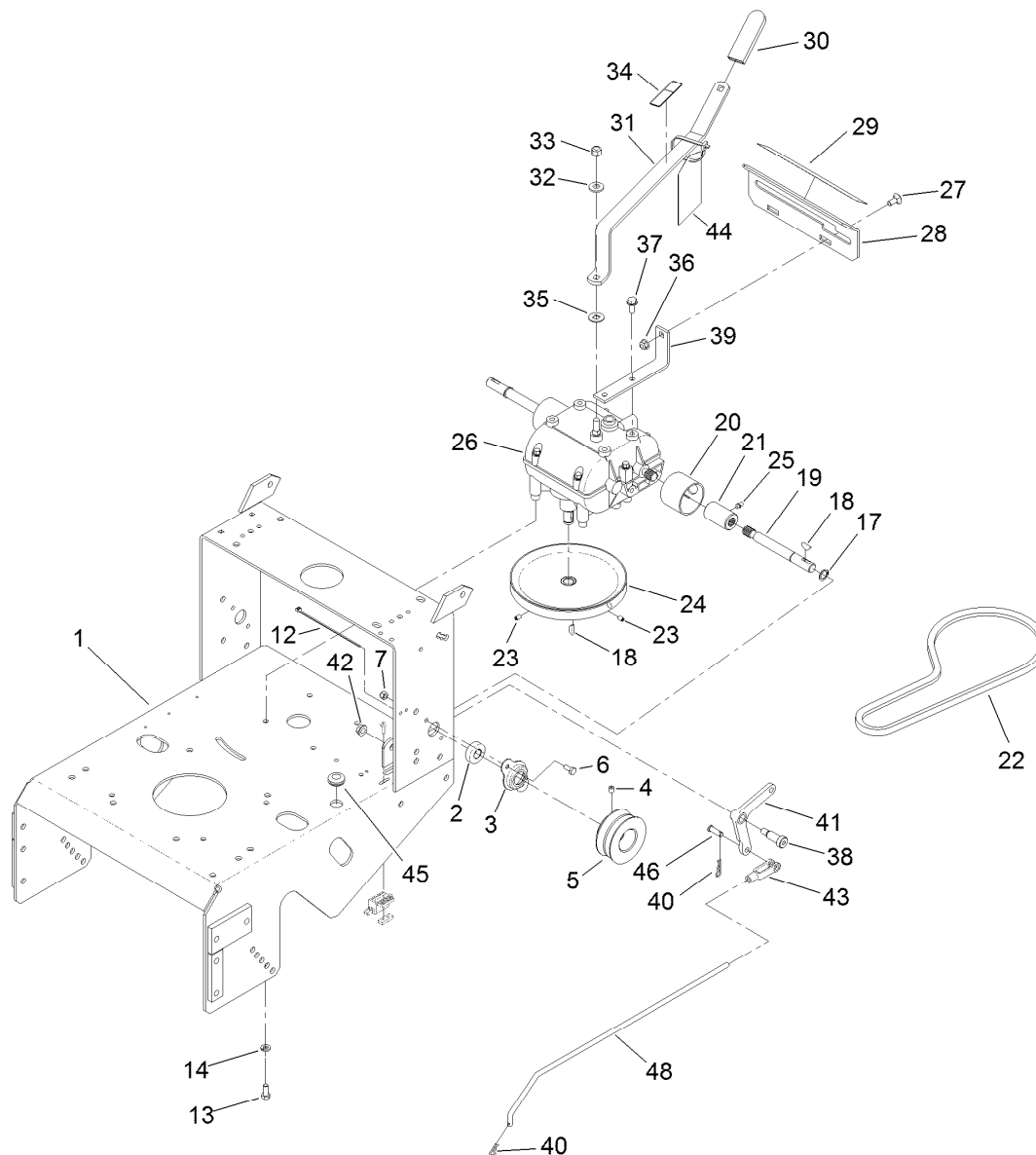
● Not serviced separately

■ Obtain parts from [www.kawpowerpc.com](http://www.kawpowerpc.com)



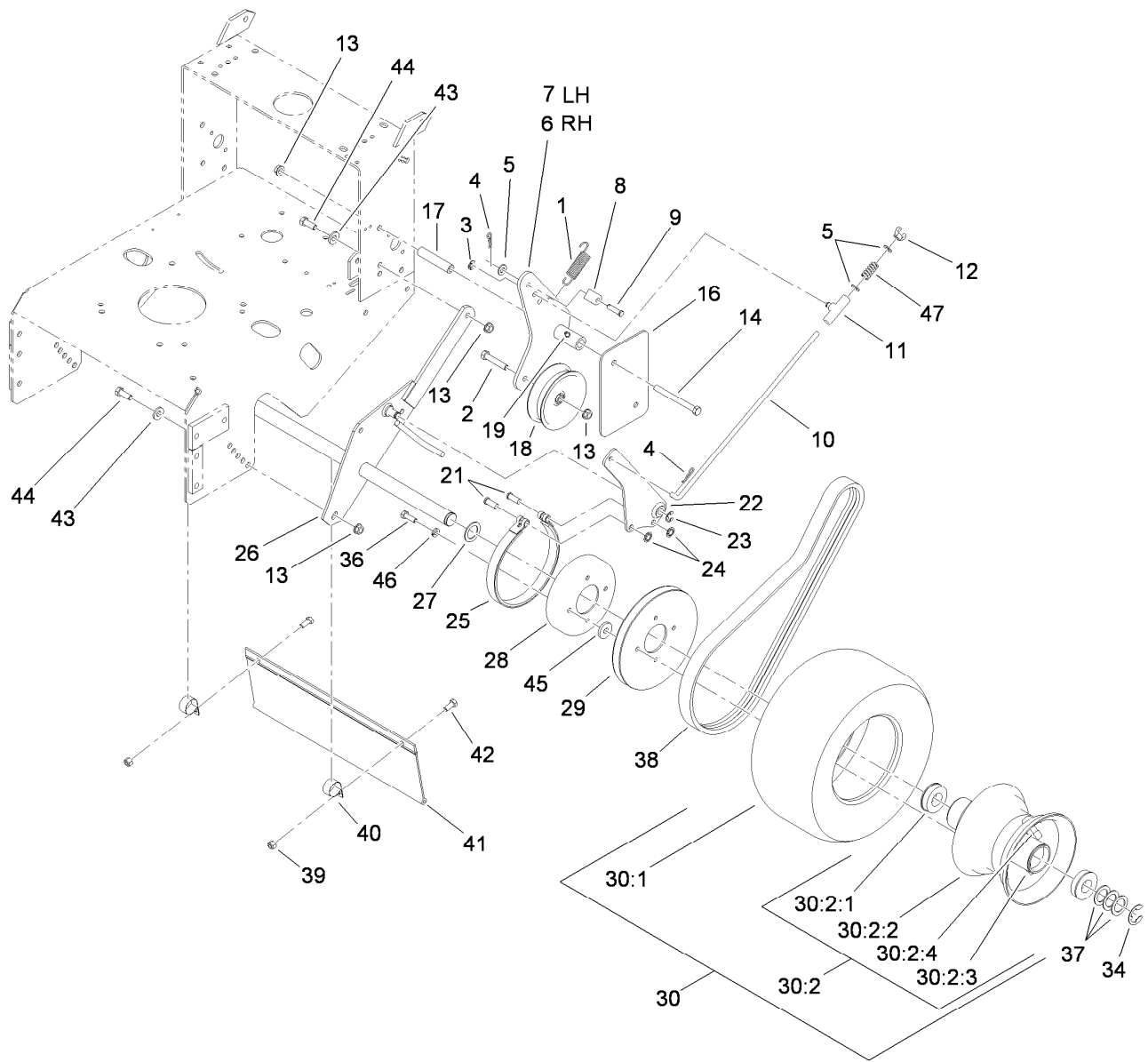
## Fuel System Assembly

<i>Ref.</i>	<i>Part Number</i>	<i>Qty.</i>	<i>Description</i>	<i>Ref.</i>	<i>Part Number</i>	<i>Qty.</i>	<i>Description</i>
1	126-1526	1	Fuel Tank ASM	7	107-4543	2	Clamp
1:2	114-0284	1	Grommet	8	104-8300	2	Nut-HF, NI
1:3	119-3547	1	Valve-Vent, Fuel	9	99-9415	1	Hose-Fuel
1:4	103-2605	1	Fitting-Fuel, Bulkhead	10	3290-378	4	Tie-Cable
1:5	137-4119	1	Cap-Fuel, Ratcheting	11	115-7872	1	Hose-Fuel
2	109-0650	1	Hose-Fuel	12	116-5464	1	Tee And Check
3	1-603770	1	Valve-Fuel	13	116-4346	1	Hose-Emissions
4	2412-98	4	Clamp-Hose	14	120-2235	1	Filter-Fuel
5	322-10	2	Screw-HH	15	116-4769	1	Decal-Filter, Emissions
6	3256-3	2	Washer-Flat				



## Frame and Transmission Assembly

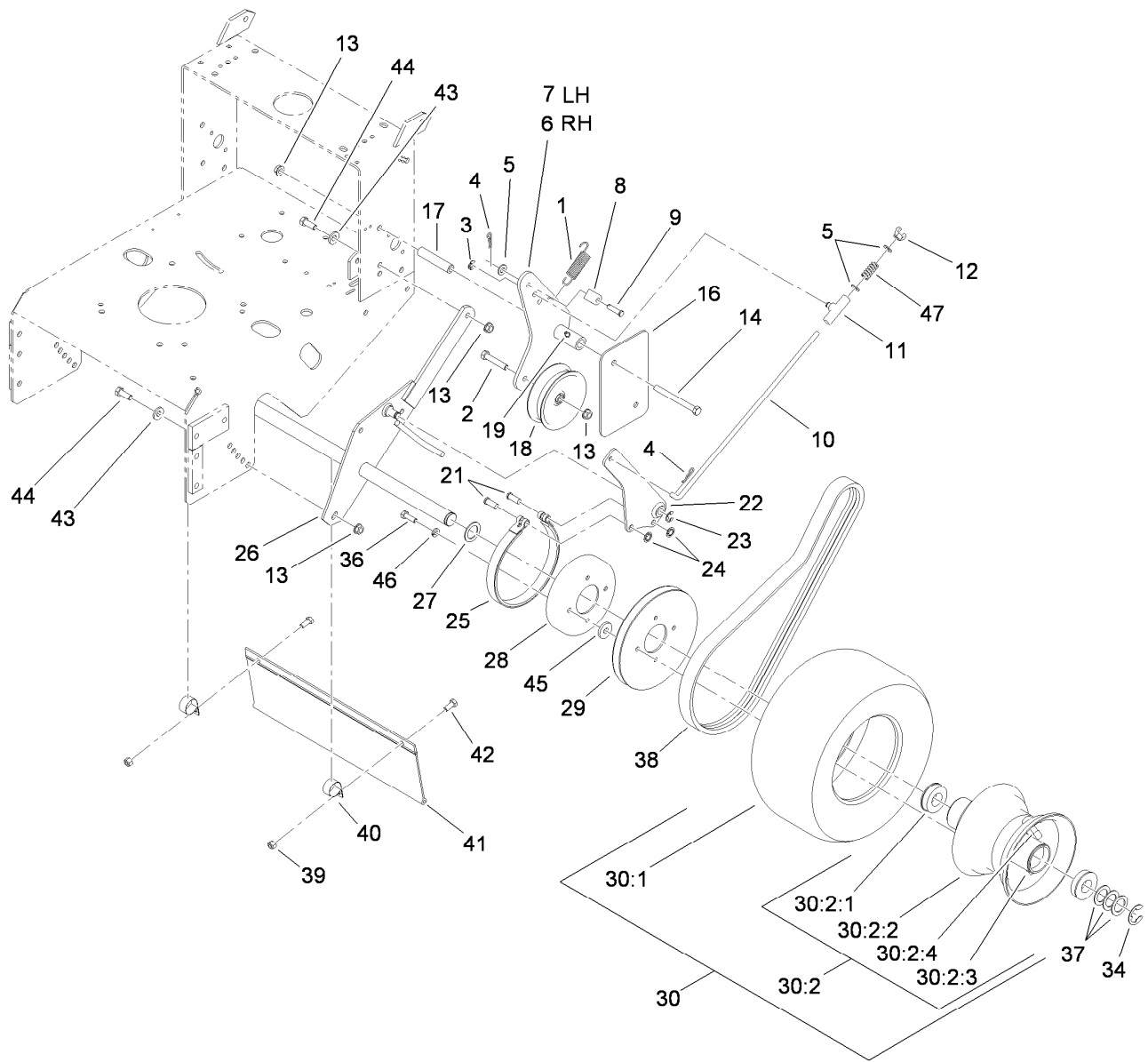
Ref.	Part Number	Qty.	Description	Ref.	Part Number	Qty.	Description
1	116-6084-01	1	Frame-Gear	28	1-323387-03	1	Plate-Shift
2	1-323252	2	Bearing-Shaft	29	98-3264	1	Decal-Speed, Ground
3	1-323254	2	Flange-Output	30	1-303020	1	Grip-Lever
4	3246-18	2	Setscrew	31	98-3274-03	1	Lever-Shift
5	103-6512	2	Sheave-Transmission	32	98-5975	1	Washer-Belleville
6	321-3	4	Screw-HH	33	3296-6	1	Nut-Lock
7	3296-42	4	Nut-Lock, NI	34	132-4708	1	Decal-Caution, Gearbox
12	1-303287	1	Tie-Cable	35	1-323379	1	Washer
13	322-3	4	Screw-HH	36	104-8300	2	Nut-HF, NI
14	1-805005	4	Washer-Lock	37	32144-11	4	Screw-HWH
17	32151-62	2	Ring-Retaining	38	1-603403	1	Bolt-Shoulder
18	3257-5	3	Key-Woodruff	39	1-323389-03	2	Bracket-Plate, Shift
19	1-323502	2	Shaft-Transmission	40	1-806003	2	Pin-Cotter
20	51-4220	2	Guard-Coupler	41	1-303186	1	Bellcrank
21	1-323680	2	Coupler	42	3290-357	1	Nut-HHF, Whiz
22	1-323630	1	V-Belt	43	1-303105	1	Yoke-Adjustable
23	3245-41	2	Screw-HSH	44	132-4712	1	Hang Tag-Gearbox
24	1-323278	1	Sheave-Transmission	45	1-543296	1	Grommet
25	302-19	2	Fitting-Grease	46	1-808280	1	Pin-Clevis
26	137-4105	1	Transmission-5 Speed	48	1-323303	1	Arm-Assist, Linkage
27	3230-1	2	Bolt-CARR				



## Drive Wheel and Brake Assembly

Ref.	Part Number	Qty.	Description	Ref.	Part Number	Qty.	Description
1	98-3273	2	Spring-Extension	21	1-323307	4	Pin-Clevis
2	323-10	2	Screw-HH	22	1-322209-03	2	Arm-Brake
3	32151-47	2	Ring-Retaining	23	32120-47	2	Ring-Retaining, External
4	1-806003	4	Pin-Cotter	24	1-803051	4	Ring-Retain
5	3256-23	4	Washer-Plain	25	1-323595	2	Band-Brake
6	110-4925-03	1	Arm-Idler, RH	26	1-322232-03	1	Axle ASM
7	110-4926-03	1	Arm-Idler, LH	27	1-543436	2	Washer-Spacer
8	74-0521	2	Fitting-Rod	28	1-323261	2	Drum-Brake
9	283-6	2	Pin-Clevis	29	1-323349	2	Sheave-Wheel, Drive
10	1-323296	2	Rod-Brake	30	130-8365	2	Wheel And Tire ASM
11	110-5866	2	Swivel-Brake	30:1	130-8368	1	Tire
12	1-513959	2	Wingnut-Nylock	30:2	130-4566	1	Wheel And Hub ASM
13	3290-357	10	Nut-HHF, Whiz	30:2:1	1-323329	2	Bearing-Flanged
14	323-16	4	Screw-HH	30:2:2		1	Rim ASM ●
16	98-5131-01	2	Shield-Wheel, Drive	30:2:3		1	Fitting-Grease ●
17	1-323694	4	Spacer-Shield	30:2:4		1	Valve Stem And Cap ●
18	1-323634	2	Idler-Drive, Wheel	34	1-808519	2	Ring-Snap
19	302-19	2	Fitting-Grease	36	322-5	8	Screw-HH

● Not serviced separately

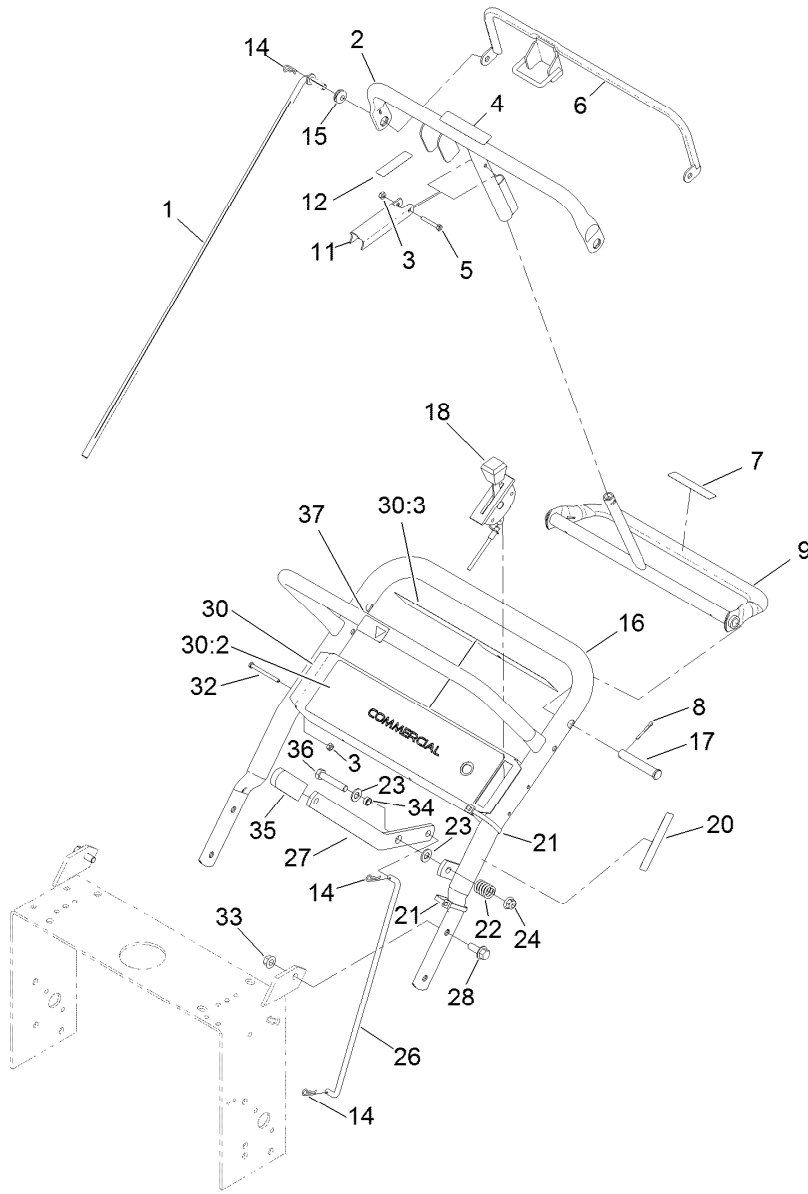


## Drive Wheel and Brake Assembly (continued)

Ref.	Part Number	Qty.	Description	Ref.	Part Number	Qty.	Description
37	1-523157	6	Washer-Spacer	43	98-5975	4	Washer-Belleville
38	1-323744	2	Belt-Drive, Wheel	44	323-6	4	Screw-HH
39	3296-29	2	Nut-Lock, NI	45	1-373034	8	Washer
40	2412-104	2	Clamp-R	46	1-805005	8	Washer-Lock
41	98-3259	1	Shield-Trailing	47	1-323245	2	Spring-Compression
42	322-3	2	Screw-HH				

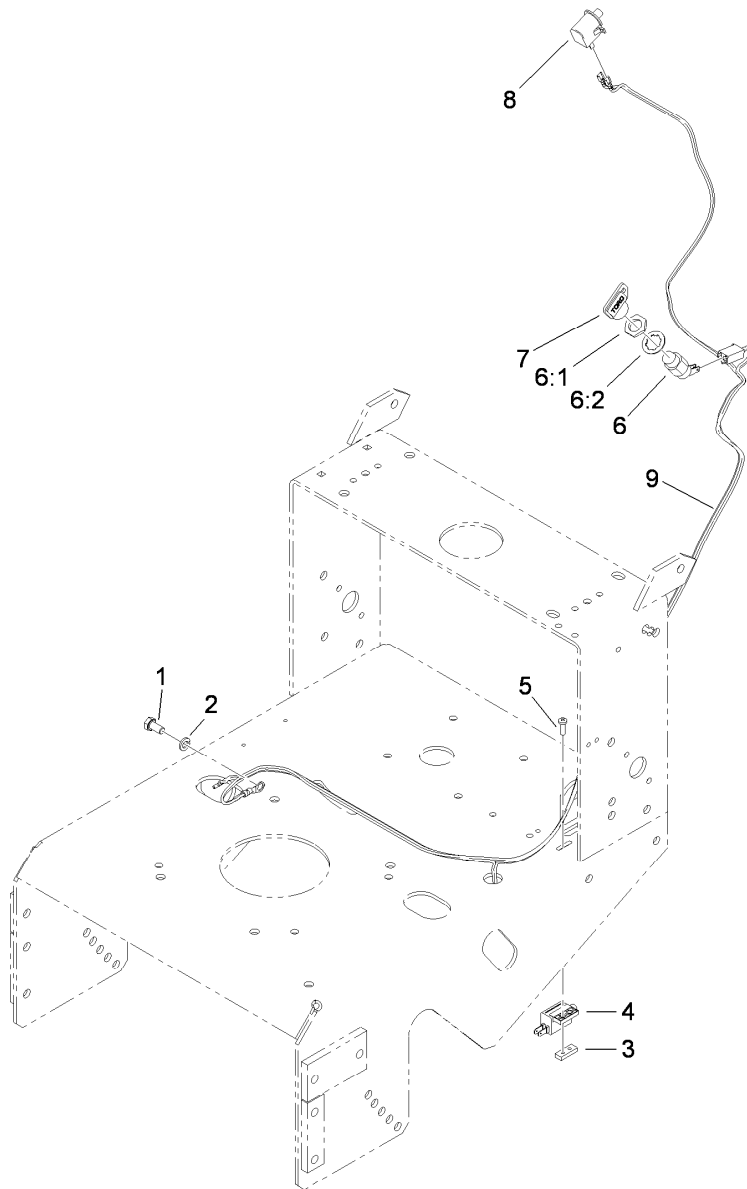
● Not serviced separately





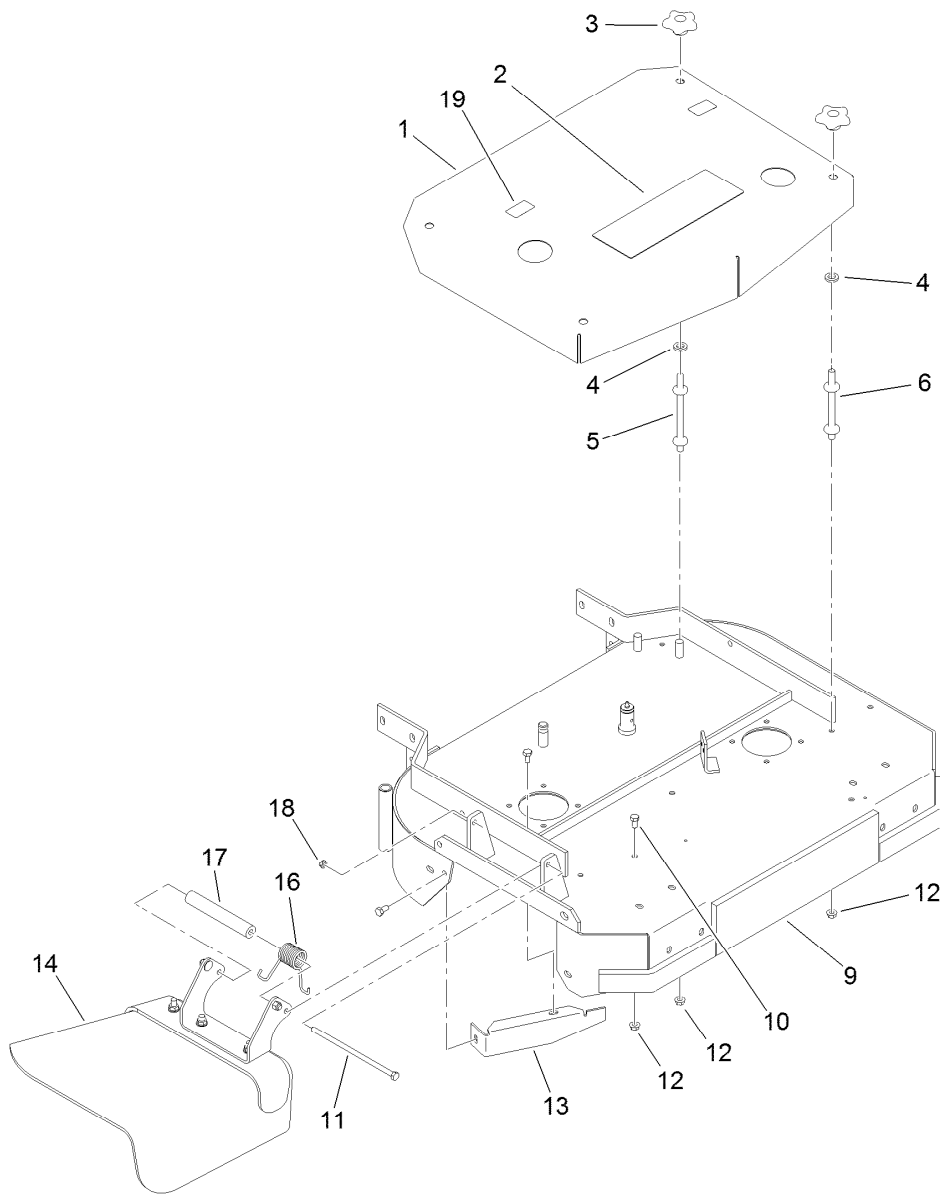
## Handle and Control Assembly

<i>Ref.</i>	<i>Part Number</i>	<i>Qty.</i>	<i>Description</i>	<i>Ref.</i>	<i>Part Number</i>	<i>Qty.</i>	<i>Description</i>
1	132-4711	2	Rod-Control	21	1-303335	2	Tie-Plastic
2	95-5522-03	1	Bar-Control	22	1-303160	1	Spring-Compression
3	3296-2	5	Nut-Lock, NI	23	3256-24	2	Washer-Flat
4	93-7298	1	Decal-Bar, Control	24	104-8301	1	Nut-HF, NI
5	32105-1	1	Screw-SHH	26	98-3279	1	Linkage-Drive, Blade
6	82-7680-03	1	Bail	27	98-3287-03	1	Lever-Engagement, Blade
7	93-7299	1	Decal-Reverse	28	3234-11	4	Screw-HHF
8	3272-11	2	Pin-Cotter	30	110-6905	1	Control Panel ASM
9	106-5477-03	1	Pivot-Control	30:2	130-8374	1	Decal-Panel, Control
11	98-3261-03	1	Lever-Brake, Parking	30:3	106-5519	1	Decal-Danger
12	93-7442	1	Decal-Lever, Parking	32	32105-14	4	Screw-SHH
14	1-806003	3	Pin-Cotter	33	32128-21	4	Nut-HF
15	237-141	2	Grommet-Rubber	34	99-8509	1	Spacer
16	98-3267-03	1	Handle-Upper	35	1-303020	1	Grip-Lever
17	283-55	2	Pin-Clevis	36	323-10	1	Screw-HH
18	119-6539	1	Cable-Throttle	37	98-4387	1	Decal-Protection, Ear
20	95-5537	1	Decal-Engage, Deck				



## Wire Harness Assembly

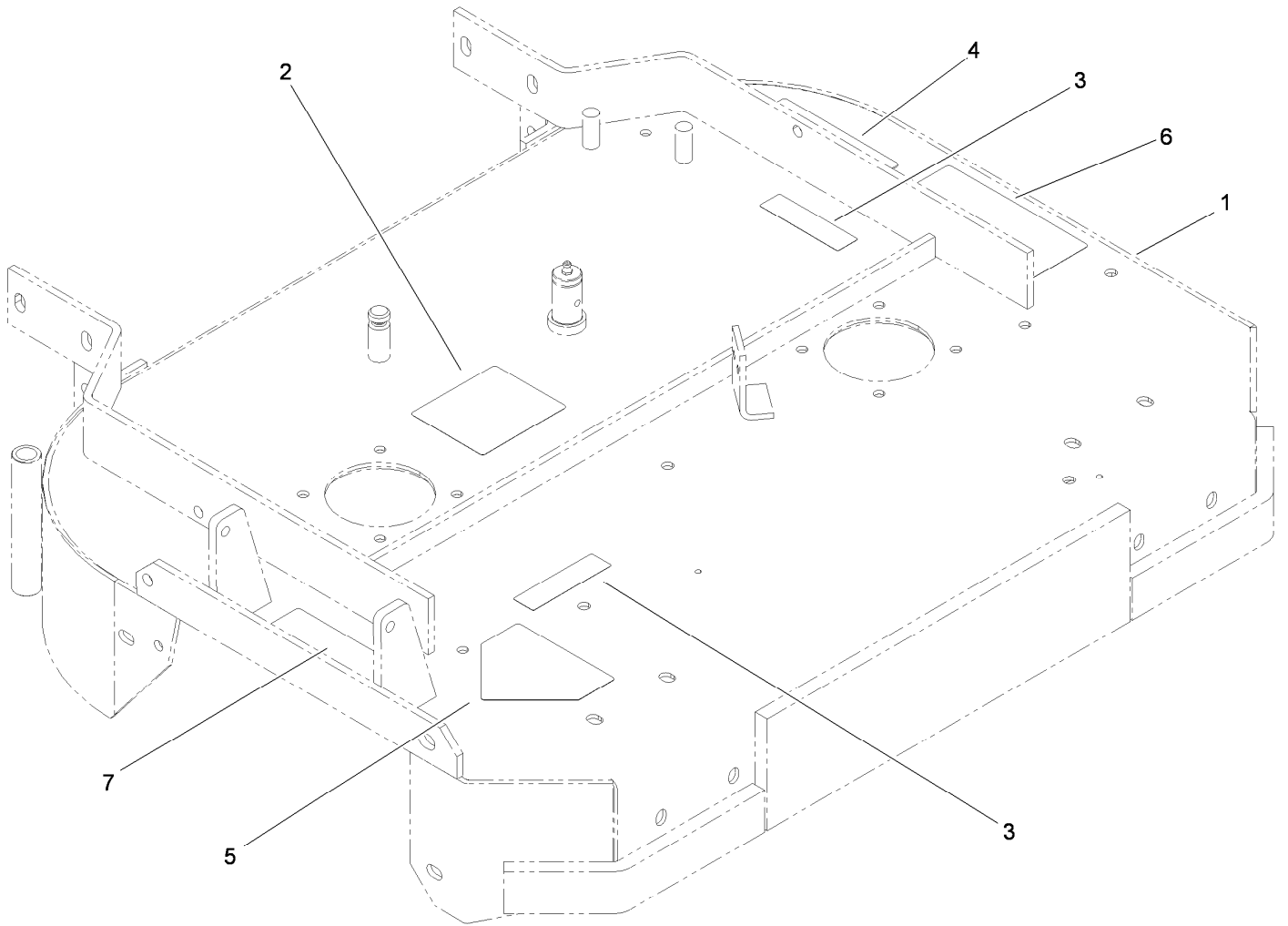
<i>Ref.</i>	<i>Part Number</i>	<i>Qty.</i>	<i>Description</i>
1	33114-016	1	Screw-HH
2	3253-4	1	Washer-Lock
3	1-633181	1	Plate-Tapped
4	1-513152	1	Switch-Closed, Normally
5	3290-500	2	Screw-PPH
6	29-5560	1	Switch-On / Off
6:1	218-461	1	Nut-HH
6:2	3254-5	1	Washer-Lock
7	63-8360	1	Key-Ignition
8	740275	1	Switch
9	119-6535	1	Harness-Wire



## Deck and Shield Assembly

<i>Ref.</i>	<i>Part Number</i>	<i>Qty.</i>	<i>Description</i>
1	1-322149-01	1	Shield ASM
2	106-0710	1	Decal
3	106-4161	4	Knob-Handle
4	1-323417	4	Washer
5	1-303536	2	Stud-Shield, Belt (Long)
6	1-303537	2	Stud-Shield, Belt (Short)
9	110-6901	1	32 Inch Deck ASM
10	322-2	7	Screw-HH

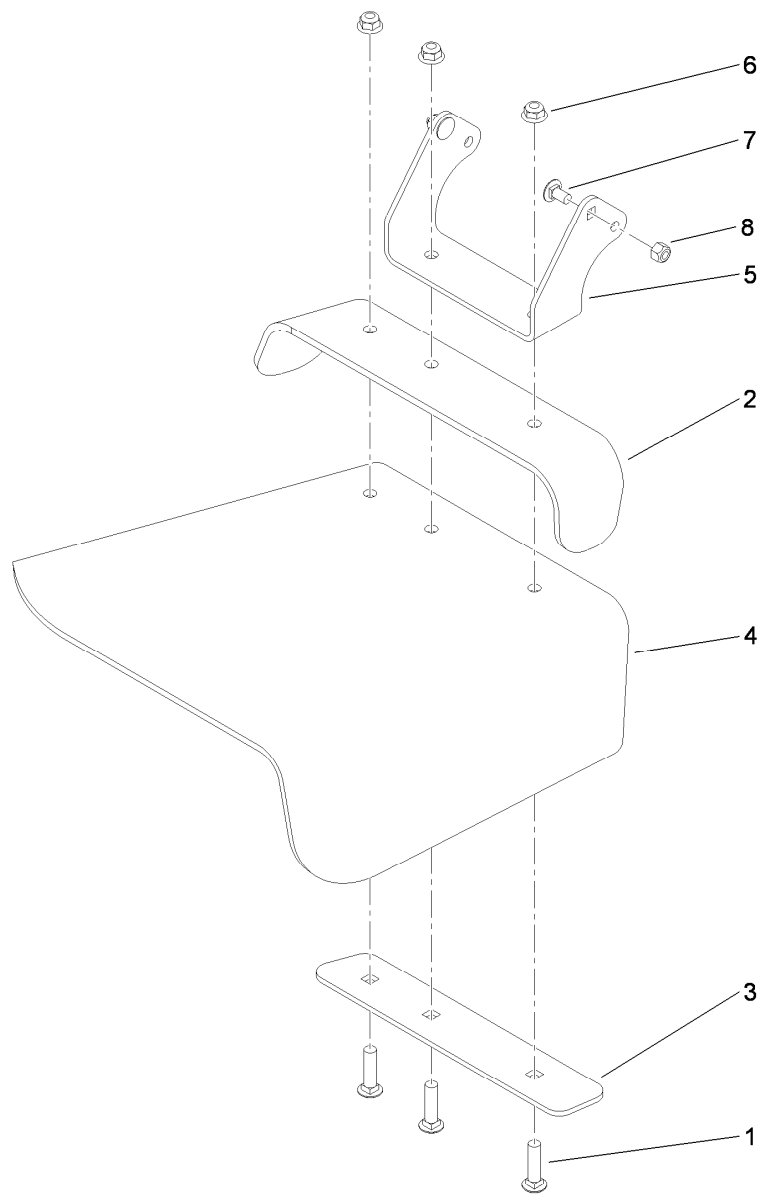
<i>Ref.</i>	<i>Part Number</i>	<i>Qty.</i>	<i>Description</i>
11	322-50	1	Screw-HH
12	32128-20	11	Nut-HF
13	116-1730-01	1	Baffle-Dogleg
14	119-6529	1	Deflector ASM
16	108-4052	1	Spring-Torsion
17	105-4622	1	Spacer
18	3296-47	1	Nut-Lock, NI
19	106-5517	2	Decal-Warning



## Deck Decal Assembly No. 110-6901

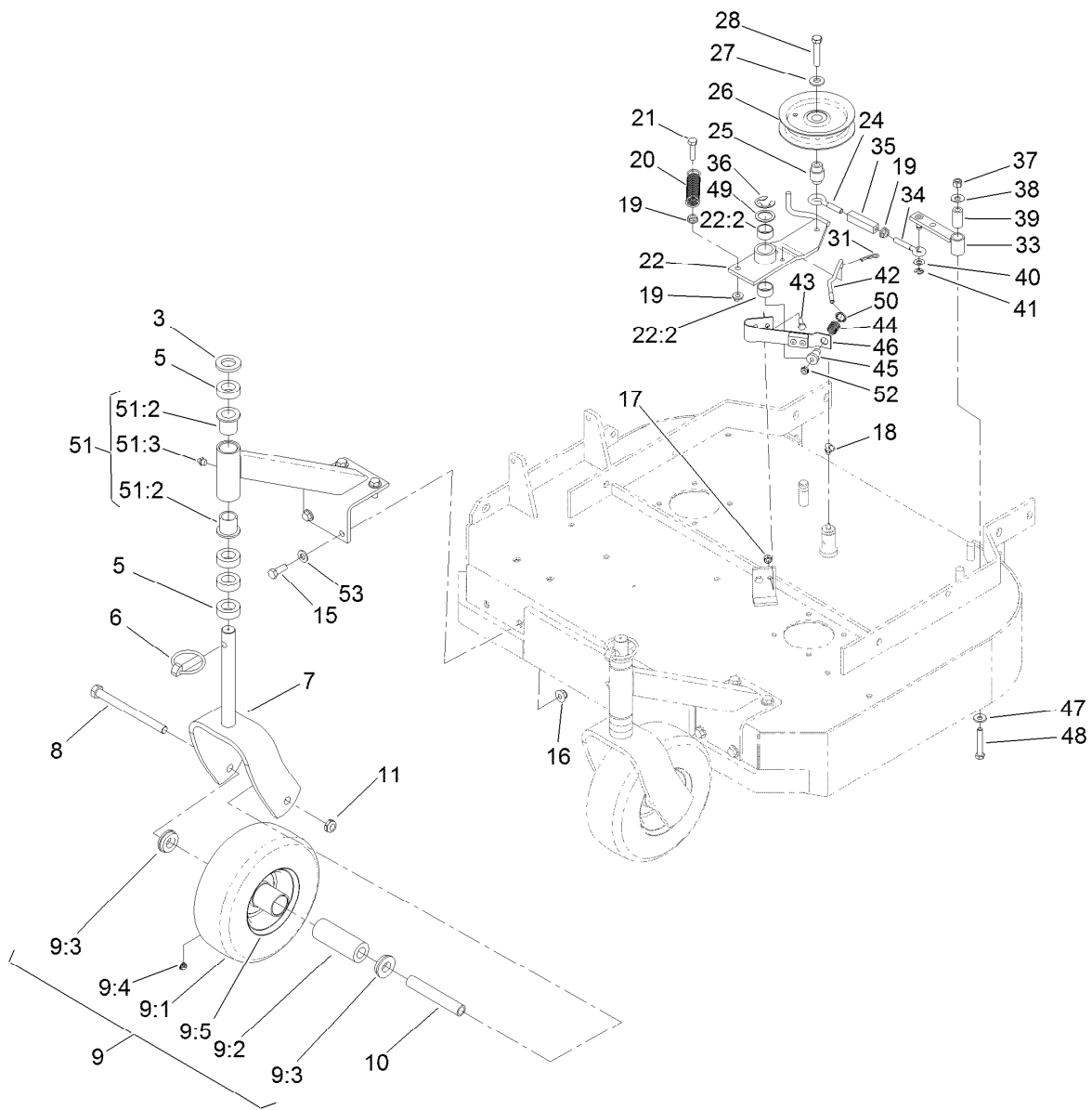
<i>Ref.</i>	<i>Part Number</i>	<i>Qty.</i>	<i>Description</i>
1		1	Deck ●
2	98-3296	1	Decal-Routing, Belt
3	112-9028	2	Decal-Cover, Missing
4	98-5130	1	Decal-Torque, Bolt
5	112-8760	1	Decal-Danger
6	93-7010	1	Decal-Danger
7	121-6049	1	Decal-Danger

● Not serviced separately



## Deflector Assembly No. 119-6529

<i>Ref.</i>	<i>Part Number</i>	<i>Qty.</i>	<i>Description</i>
1	3231-4	3	Screw-CARR
2	107-4138-01	1	Strap-Deflector, Top
3	107-4139-01	1	Strap-Discharge
4	107-4137	1	Deflector-Rubber
5	119-6532-01	1	Bracket-Mounting, Deflector
6	104-8301	3	Nut-HF, NI
7	3230-18	2	Screw-CARR
8	3296-29	2	Nut-Lock, NI

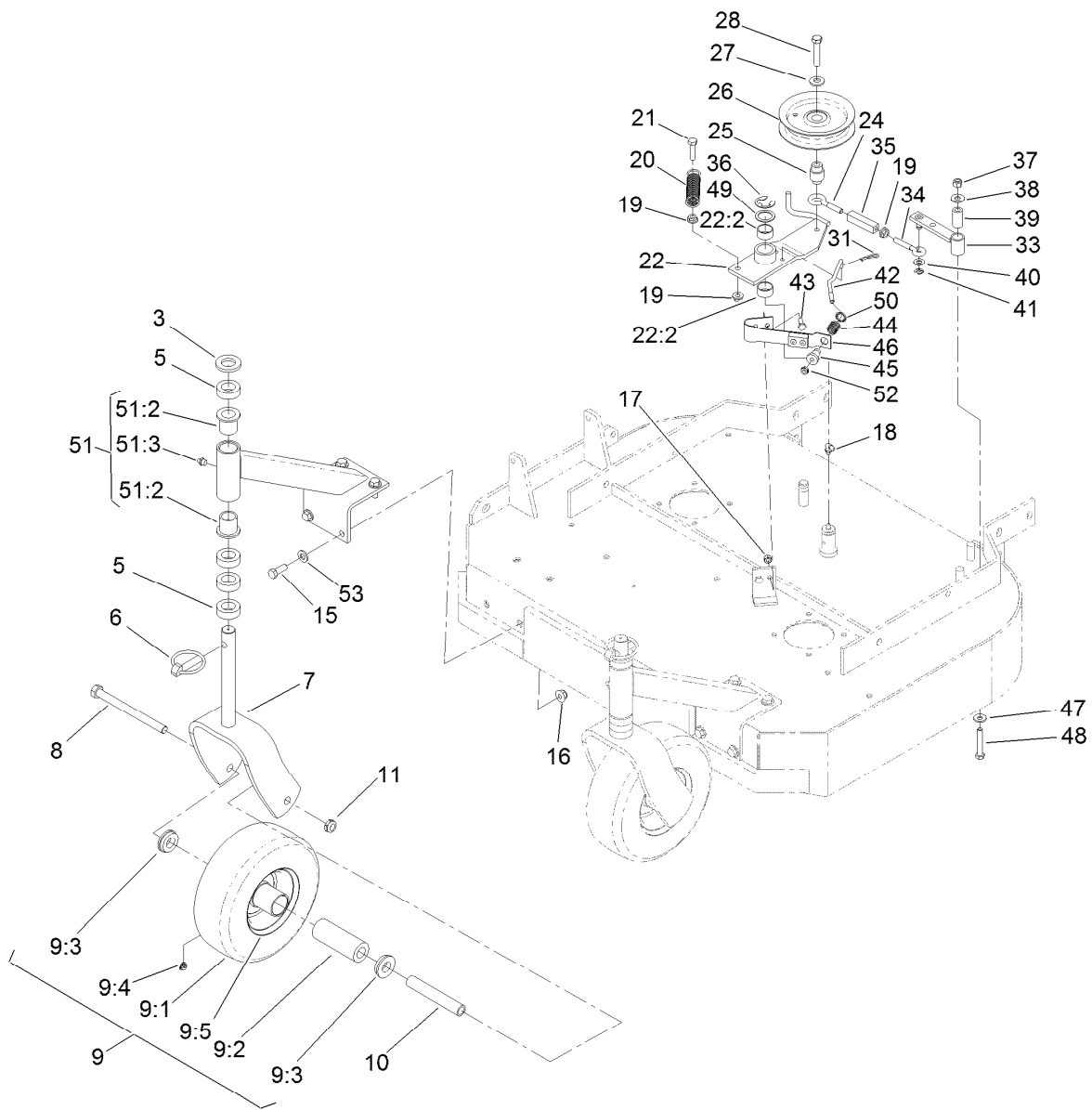


## Idler Arm and Caster Wheel Assembly

Ref.	Part Number	Qty.	Description	Ref.	Part Number	Qty.	Description
3	1-513338	2	Washer-Flat	20	1-323071	1	Spring-Extension
5	1-303314	8	Spacer-Caster	21	116-3515	1	Screw-HH, Special
6	1-809020	2	Pin	22	103-3600	1	Idler Arm ASM
7	116-7942-01	2	Fork-Caster	22:2	1-323729	2	Sleeve-Bearing
8	325-20	2	Screw-HH	24	1-303348	1	Eyebolt-Thread, LH
9	130-4557	2	Wheel And Tire ASM	25	1-303434	1	Bushing-Engagement
9:1		1	Tire ■	26	132-4718	1	Pulley-Idler, Flat
9:2	1-513809	1	Bearing	27	98-5975	1	Washer-Belleville
9:3	1-513810	2	Bushing	28	702809	1	Screw-HH
9:4	302-61	1	Fitting-Grease	31	1-806003	1	Pin-Cotter
9:5		1	Wheel ■	33	1-322235	1	Arm-Assist, 32/36
10	1-513547	2	Spacer	34	1-303238	1	Eyebolt-Thread, RH
11	3296-45	2	Nut-Hex	35	1-303236	1	Body-Turnbuckle
15	323-6	8	Screw-HH	36	32151-103	1	Ring-Retaining, EXT
16	104-8301	8	Nut-HF, NI	37	3296-29	1	Nut-Lock, NI
17	3296-42	2	Nut-Lock, NI	38	3256-3	1	Washer-Flat
18	302-40	1	Fitting-Grease, 90 DEG	39	1-403179	1	Tube-Pivot
19	32128-20	3	Nut-HF	40	3256-23	1	Washer-Plain

● Not illustrated

■ Not serviced separately



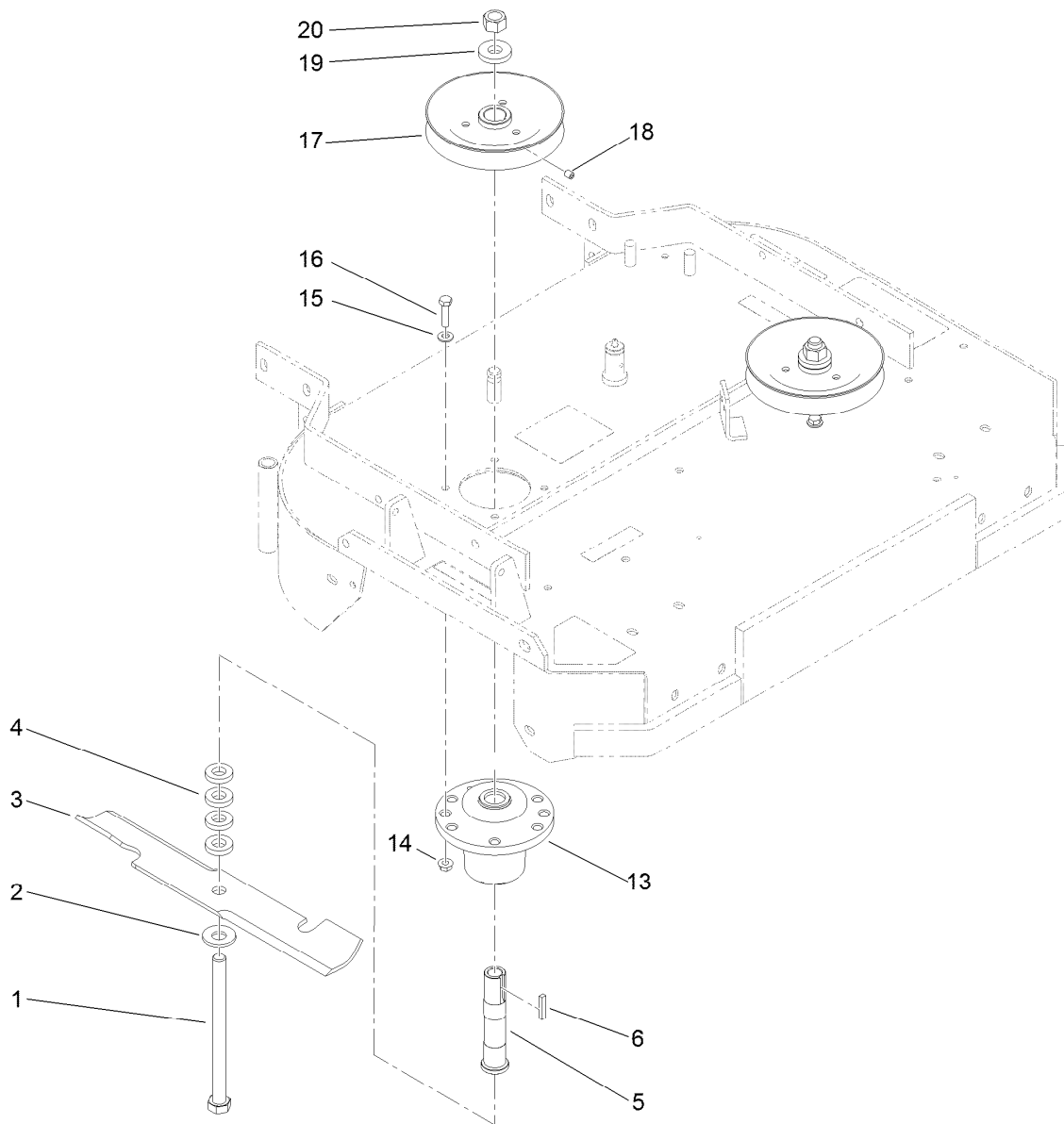
## Idler Arm and Caster Wheel Assembly (continued)

Ref.	Part Number	Qty.	Description
41	32120-35	1	Ring-Retaining, EXT
42	1-323718	1	Rod-Brake
43	321-4	2	Screw-HH
44	1-323747	1	Spring-Compression
45	1-323746	1	Spacer-Flanged
46	1-324372	1	Pad And Spring ASM
46:1	1-323709	1	Pad-Brake ●
46:2	1-323710	1	Spring ●
46:3	103-0138	2	Rivet-Pop ●

Ref.	Part Number	Qty.	Description
47	1-303334	1	Washer-Spring
48	322-10	1	Screw-HH
49	1-303352	1	Washer-Spindle
50	1-323748	1	Ring-Push On
51	1-302203	2	Support ASM
51:2	1-303514	2	Bearing-Flanged
51:3	302-52	1	Fitting-Grease
52	3296-56	1	Nut-Lock, NI
53	3256-24	8	Washer-Flat

● Not illustrated

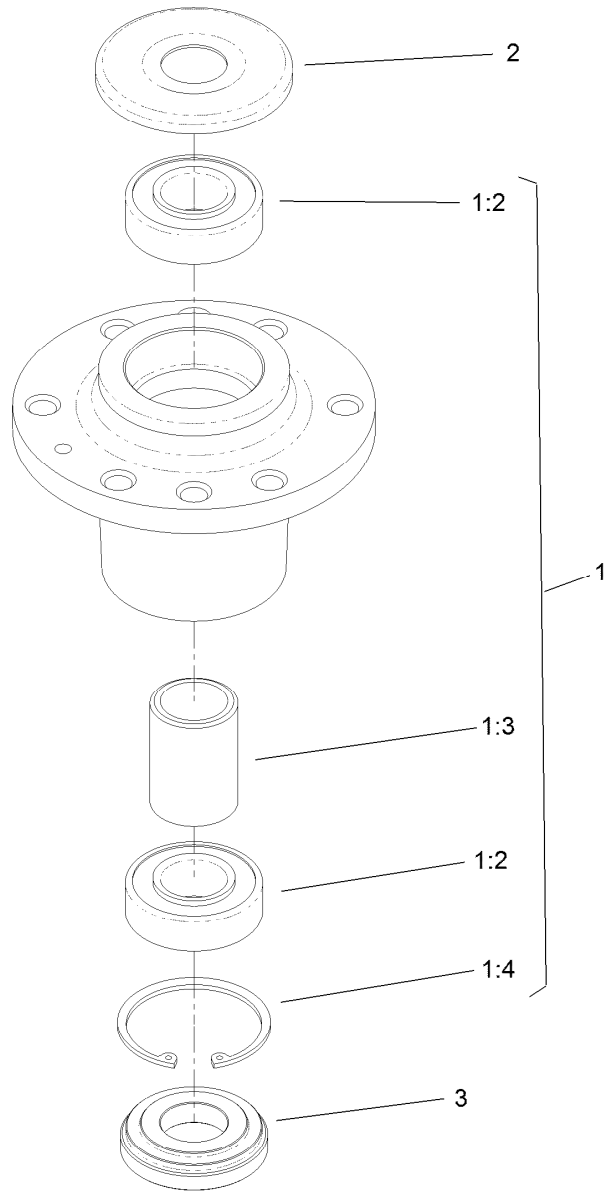
■ Not serviced separately



## Spindle and Blade Assembly

<i>Ref.</i>	<i>Part Number</i>	<i>Qty.</i>	<i>Description</i>
1	1-800861	2	Screw-Cap, HH
2	1-513208	2	Washer-Spring
3	103-2527	2	Blade-Notched
4	1-323539	8	Spacer
5	1-323529	2	Tube-Spindle, Short
6	1-807267	2	Key
13	107-4065	2	Cutter Housing ASM
14	32128-20	8	Nut-HF
15	1-303334	8	Washer-Spring
16	322-6	8	Screw-HH
17	1-403183	2	Sheave
18	3246-18	2	Setscrew
19	1-323339	2	Washer-Retainer, Sheave
20	3219-6	2	Nut-Hex





## Cutter Housing Assembly No. 107-4065

Ref.	Part Number	Qty.	Description
1		1	Cutter Housing ASM ●
1:2	103-2477	2	Bearing-Jackshaft
1:3	103-2534	1	Spacer-Bearing
1:4	32120-8	1	Ring-Snap
2	103-1330	1	Guard-Bearing, Top
3	103-2535	1	Spacer-Guard, Bottom

● Not serviced separately

# Attachments and Accessories

## For 30672 Commercial Walk-Behind Mower Fixed Deck, T-Bar, Gear Drive with 32in Cutting Unit

<b>Product Name</b>	<b>Model/Part</b>
Soft Bag (3 Bushel).....	30198
32in Recycler Kit.....	110-4915
Atomic Blade and Decal Assembly .....	104-8595
32in and 48in Fixed Deck Low Lift Blades.....	103-2507
Blade-Notched.....	103-2527
Blade-Atomic, 16.25in (6 Pack) .....	110-0407
Spring-Extension .....	110-1119
Spark Plug .....	92-2153
Oil Filter .....	119-5852
Fuel Filter.....	120-2235
Air Filter Element .....	120-7447
All Season Synthetic Oil (10W30, QT) .....	117-0066
Toro 4-Cycle SAE 30 Oil (32oz Bottle) .....	38903

**Notes:**



**Count on it.**