



## Mulching Kit for 52" Side Discharge Mowers

MODEL NO. 59227

**INSTALLATION  
INSTRUCTIONS**

### Loose Parts

**Note:** Use the chart below to verify all parts have been shipped.

DESCRIPTION	QTY.	USE
Blades	3	Replaces side discharge blades.
Right Baffle	1	Install Left and Right Baffle
Left Baffle	1	
Bolt, 5/16"-18 x 3/4"	5	
Locknut, 5/16"-18	5	
Spacer	5	Install Lower Baffle
Tapping Screw	5	
Lower Baffle	1	

### Pre-Installation

1. Remove mower unit (see Operator's Manual for instructions).
2. Thoroughly clean mower deck. All debris must be removed to ensure baffle will fit properly against mower deck.
3. Repair all bent or damaged areas of mower deck and replace any missing parts.
4. Remove belt covers from mower deck.
5. Tip mower deck upside down and block up ends to ease installation of mulcher components.

### Removing Existing Blades

1. Remove blades and anti-scalp cups from spindles.

**Note:** Save blades and anti-scalp cups for use when in side discharging mode.

**! WARNING**

**POTENTIAL HAZARD**

- Blade is sharp.

**WHAT CAN HAPPEN**

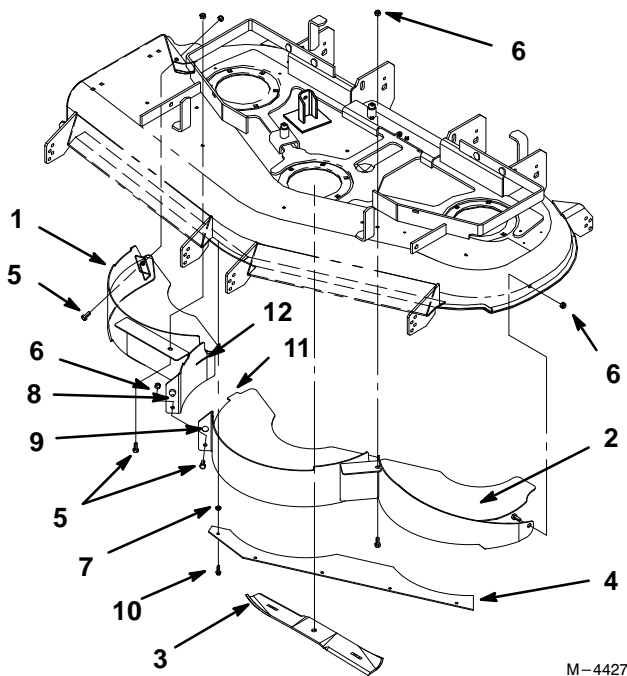
- Contact with sharp blade can cause serious personal injury.

**HOW TO AVOID THE HAZARD**

- Wear gloves or wrap sharp edges of the blade with a rag.

## Installing Left and Right Baffle

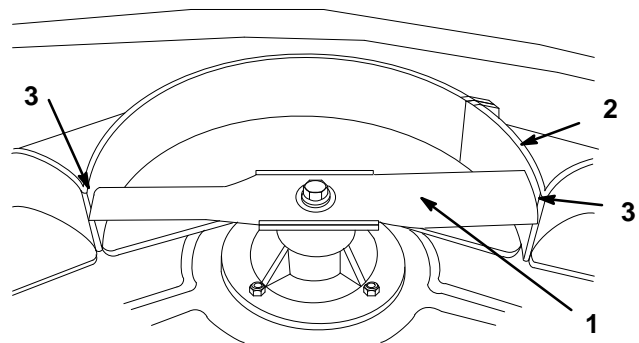
**Note:** All holes in deck are pre-drilled for installing Left and Right baffles (Fig. 1).



**Figure 1**

- |                           |                         |
|---------------------------|-------------------------|
| 1 Right Baffle            | 7 Spacer                |
| 2 Left Baffle             | 8 Plug in Right Baffle  |
| 3 Blade (Sail faces deck) | 9 Hole in Left Baffle   |
| 4 Lower Baffle            | 10 Tapping Screw        |
| 5 Bolt                    | 11 Tab on Left Baffle   |
| 6 Lock Nut                | 12 Slot in Right Baffle |

1. Align both baffles (Fig. 1).
  - The plug on the right baffle must be inserted in to the hole in the left baffle (Fig. 1).
  - The tab on the left baffle must be inserted into the slot in the right baffle (Fig. 1).
2. Connect both baffles together with bolt and locknut. Tighten securely (Fig. 1).
3. Place baffles into the cutting chamber.
4. Arrange the baffles in the mower and align with holes in deck. Rotate the center blade to ensure that there is a 1/4" of clearance between the tip of the center blade and the baffles (Fig. 2).



**Figure 2**

- |                |                  |
|----------------|------------------|
| 1 Center Blade | 3 1/4" Clearance |
| 2 Baffle       |                  |

5. Install bolts and nuts into the pre-drilled holes and tighten securely (Fig. 1).

**Note:** When installing bolts, the bolt heads need to be on the inside of cutting deck.

6. Install new mulching blades after the baffle is in place and without anti-scalp cups (Fig. 1).

**IMPORTANT:** The sail part of the blades (i.e., the turned up section) must face the inside of the mower (Fig. 1).

7. Tighten the blade mounting bolts to 85–110 ft-lb (115–150 Nm).

- Rotate all the blades to ensure that there is at least 1/4" clearance between the blades and baffles.

**! WARNING**

**POTENTIAL HAZARD**

- A blade that is bent or damaged could break apart and pieces could be thrown at bystanders or at you as you use the mower.

**WHAT CAN HAPPEN**

- Pieces of blade that may be thrown could seriously injure or kill you or bystanders.

**HOW TO AVOID THE HAZARD**

- Always replace bent or damaged blade with a new blade.
- Never file or create sharp notches in the edges or surfaces of blade.

- If the blades touch the baffle repeat the steps in Installing Left and Right Baffle section.
- Make sure all holes in deck are plugged with a nut and bolt.

**! DANGER**

**POTENTIAL HAZARD**

- Open holes in the mower exposes you and others to thrown debris.

**WHAT CAN HAPPEN**

- Debris thrown out of holes in the mower can cause injury.

**HOW TO AVOID THE HAZARD**

- Never operate mower without hardware mounted in all holes in mower.
- Install hardware in mounting holes when mulching baffle is removed.

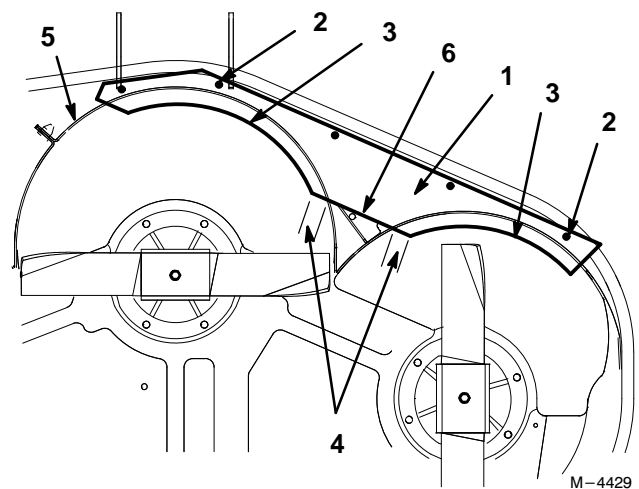
## Install Lower Baffle

**Note:** All holes for installing Lower baffle need to be drilled (Fig. 3).

- Place secondary baffle as shown in figure 3. Make measurements to correctly place it.

**Note:** There will be approximately 1 inch radius overhang of the lower baffle past the main baffle. Note the equal distance to measure on the straight edge of lower baffle (Fig. 3).

- Mark the location of the baffle mounting holes (Fig. 3).
- Drill (5) 7/32" holes at the marked locations in the mower.
- Install spacers between the deck and lower baffle. Install tapping screws and tighten securely (Fig. 1).
- Check to make sure the blades do not hit the lower baffle.
- If the blades touch the lower baffle repeat the steps in Installing Lower Baffle section.



**Figure 3**

- |                       |                                   |
|-----------------------|-----------------------------------|
| 1 Secondary Baffle    | 4 Equal Distance on Straight Edge |
| 2 Five Holes to Drill | 5 Main Baffle                     |
| 3 1" Radius Overhang  | 6 Straight Edge on Baffle         |

## Reinstall Deck

1. Turn mower deck over, right side up.
2. Install belt and belt covers onto mower deck.
3. Install mower unit (see Operator's Manual for instructions).

## Mulching Tips

**Selecting The Proper Height-Of-Cut Setting To Suit Conditions** – Remove approximately one inch or no more than 1/3 of the grass blade when cutting. In exceptionally lush and dense grass you may have to raise the height-of-cut setting another notch or convert to side discharge or bagging operations.

**Mowing In Extreme Conditions** – Air is required to cut and recut grass clippings in mower housing, so do not set height-of-cut too low or totally surround housing by uncut grass. Always try to have one side of the mower housing free from uncut grass, allowing air to be drawn into housing. When making an initial cut thru center of uncut area, operate machine slower and back up if mower starts to clog.

**Mow At Proper Intervals** – Under most normal conditions you'll need to mow every 4–5 days. However, grass grows at different rates at different times. Thus, in order to maintain the same height-of-cut, which is a good practice, you'll need to cut more frequently in early spring; as the grass growth rate slows in mid summer, cut only every 8–10 days. If you are unable to mow for an extended period due to weather conditions or other reasons, convert to side discharge or bagging options or mow first with the height-of-cut at a high level; then mow again 2–3 days later with a lower height setting.

**Always Mow With Sharp Blades** – A sharp blade cuts cleanly and without tearing or shredding the grass blade like a dull blade. Tearing and shredding causes the grass to turn brown at the edges which impairs growth and increases susceptibility to disease.

**After Operating** – To ensure optimum performance, clean underside of mower housing after each use. If residue is allowed to build up in mower housing cutting performance will decrease.