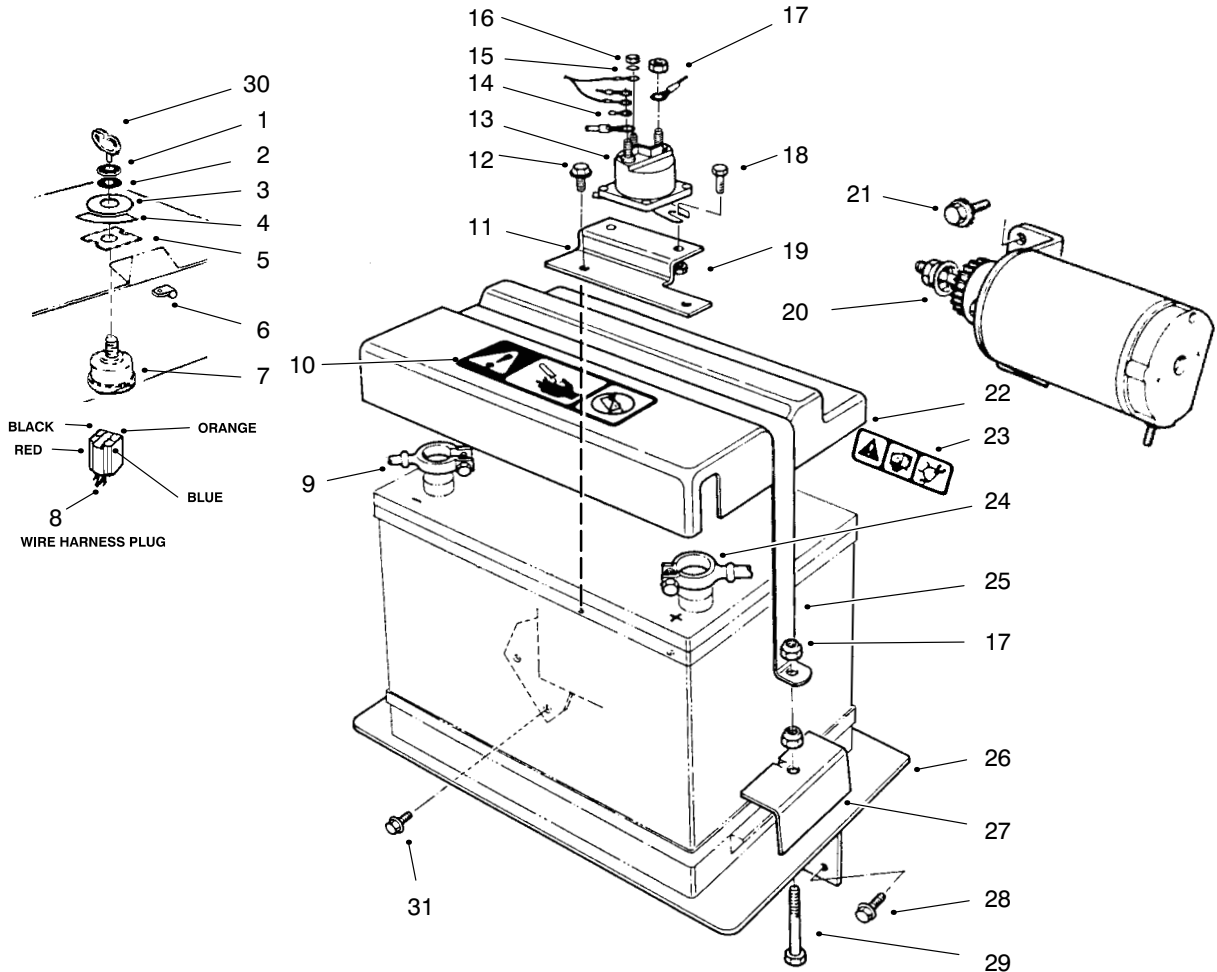




MODEL NO. 99-9316

PARTS
CATALOG

12 VOLT STARTER KIT
SNOWTHROWER



C-2816

STARTER MOTOR AND BATTERY WIRE ASSEMBLY

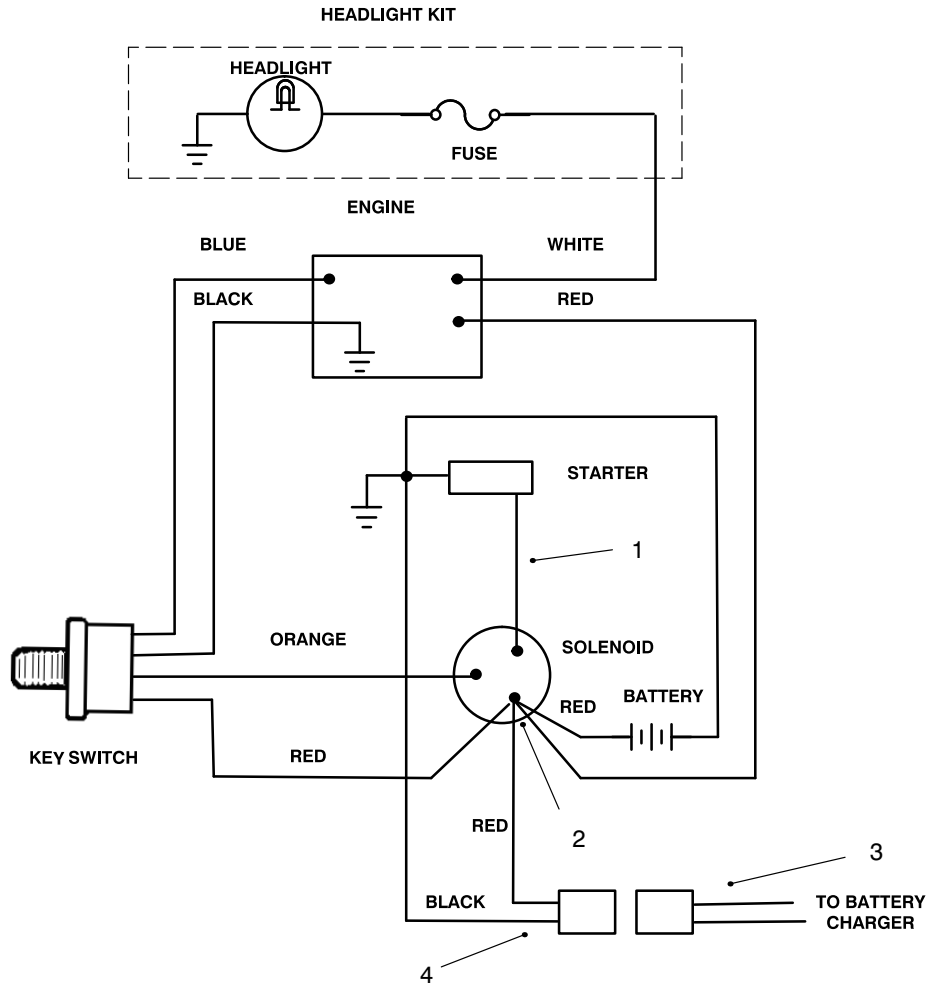
Ref. No.	Part No.	Description	No. Used	Ref. No.	Part No.	Description	No. Used
1	218-461	Nut - Hex.	1	17	3296-29	Nut - Hex. Lock	6
2	3254-5	Washer - Switch	1	18	321-2	Screw - HH	2
3	66-7690	Washer - Cover	1	19	3296-42	Nut - Hex. Lock	2
4	94-2588	Decal Key Switch	1	†20	1A173-102	Motor - Starter, Tecumseh	1
5	66-7680	Adapter - Key Switch	1	†21	42-817	Screw - HHF, Tecumseh	2
6	2412-101	Clip - Wire	2	22	22-8900	Cover - Battery	1
7	23-0660	Switch - Starter (Incl. Ref.# 1 & 2)	1	23	94-2575	Decal - Warning	1
8	99-9317	Wire Asm. Ignition	1	24	22-9320	Cable - Battery, Pos.	1
9	22-9330	Cable - Battery, Neg.	1	25	22-8850-03	Strap - Battery	1
10	94-2589	Decal - Battery Cover	1	26	66-7600-03	Plate - Battery	1
11	66-7630	Bracket - Solenoid	1	27	22-8870	Clamp - Battery	2
12	32144-10	Screw - HH	2	28	3234-17	Screw - HHF	2
13	6-1600	Solenoid	1	29	322-11	Screw - HH	2
14	218-575	Ring - Terminal	1	30	63-8360	Key-Switch	1
15	3254-1	Washer - Lock	1	31	3234-5	Screw-HH	2
16	3219-14	Nut - Hex	1	*	32152-4	Nut	1
				*	3290-378	Tie - Cable	5

* Not Illustrated

† Purchase From Tecumseh

© The Toro Company - 1998

All Rights Reserved



C-2354

ELECTRIC SCHEMATIC

Ref. No.	Part No.	Description	No. Used
1	94-2777	Wire Assembly	1
2	218-575	Ring - Terminal	1

Ref. No.	Part No.	Description	No. Used
3	29-7820	Wire Asm. Charger Adapt	1
4	29-7830	Wire Asm. Charger	1

PROTOTYPE